

AIR CONDITIONER

Wall mounted type

DESIGN & TECHNICAL MANUAL



INDOOR

ASYG07KMTA
ASYG09KMTA
ASYG12KMTA
ASYG14KMTA
ASYG07KMTB
ASYG09KMTB
ASYG12KMTB
ASYG14KMTB



OUTDOOR

AOYG07KMTA
AOYG09KMTA
AOYG12KMTA

AOYG14KMTA

FUJITSU GENERAL LIMITED

Notices:

- Product specifications and design are subject to change without notice for future improvement.
- For further details, please check with our authorized dealer.

Trademarks

FGLair™ is trademark of Fujitsu General Limited in the United States, other countries or both.

Google Play™ is trademark of Google Inc.

App Store® is a service mark of Apple Inc., registered in the U.S. and other countries.

CONTENTS

Part 1. INDOOR UNIT	1
1. Specifications	2
2. Dimensions	4
2-1. Models: ASYG07KMTA, ASYG07KMTB, ASYG09KMTA, ASYG09KMTB, ASYG12KMTA, ASYG12KMTB, ASYG14KMTA, and ASYG14KMTB	4
3. Wiring diagrams	6
3-1. Models: ASYG07KMTA, ASYG07KMTB, ASYG09KMTA, ASYG09KMTB, ASYG12KMTA, ASYG12KMTB, ASYG14KMTA, and ASYG14KMTB	6
4. Capacity table	7
4-1. Cooling capacity.....	7
4-2. Heating capacity	9
5. Fan performance	10
5-1. Air velocity distributions.....	10
5-2. Airflow	12
6. Operation noise (sound pressure)	16
6-1. Noise level curve.....	16
6-2. Sound level check point	18
7. Safety devices	19
8. External input and output	20
8-1. External input.....	20
8-2. External output.....	23
9. Group connection	25
9-1. Precautions on creating a group connection	25
9-2. Remote controller address setting procedure for wireless remote controllers.....	26
10. Remote controller	27
10-1. Wireless remote controller	27
11. Function settings	29
11-1. Function settings by using remote controller.....	29
11-2. Custom code setting for wireless remote controller.....	35
12. Accessories	36
12-1. Models: ASYG07KMTA, ASYG07KMTB, ASYG09KMTA, ASYG09KMTB, ASYG12KMTA, ASYG12KMTB, ASYG14KMTA, and ASYG14KMTB	36
13. Optional parts	37
13-1. Controllers	37
13-2. Others	37

CONTENTS (continued)

Part 2. OUTDOOR UNIT	39
1. Specifications	40
2. Dimensions	41
2-1. Models: AOYG07KMTA, AOYG09KMTA, and AOYG12KMTA	41
2-2. Model: AOYG14KMTA	42
3. Installation space	43
3-1. Models: AOYG07KMTA, AOYG09KMTA, AOYG12KMTA, and AOYG14KMTA	43
4. Refrigerant circuit	46
4-1. Models: AOYG07KMTA, AOYG09KMTA, and AOYG12KMTA	46
4-2. Model: AOYG14KMTA	47
5. Wiring diagrams	48
5-1. Models: AOYG07KMTA, AOYG09KMTA, AOYG12KMTA, and AOYG14KMTA	48
6. Capacity compensation rate for pipe length and height difference	49
6-1. Models: AOYG07KMTA and AOYG09KMTA	49
6-2. Model: AOYG12KMTA	50
6-3. Model: AOYG14KMTA	50
7. Additional charge calculation	51
7-1. Models: AOYG07KMTA and AOYG09KMTA	51
7-2. Model: AOYG12KMTA	51
7-3. Model: AOYG14KMTA	51
8. Airflow	52
8-1. Model: AOYG07KMTA	52
8-2. Model: AOYG09KMTA	52
8-3. Model: AOYG12KMTA	52
8-4. Model: AOYG14KMTA	53
9. Operation noise (sound pressure)	54
9-1. Noise level curve	54
9-2. Sound level check point	56
10. Electrical characteristics	57
11. Safety devices	58
12. Accessories	59
12-1. Models: AOYG07KMTA, AOYG09KMTA, AOYG12KMTA, and AOYG14KMTA	59

Part 1. INDOOR UNIT

WALL MOUNTED TYPE:

ASYG07KMTA

ASYG09KMTA

ASYG12KMTA

ASYG14KMTA

ASYG07KMTB

ASYG09KMTB

ASYG12KMTB

ASYG14KMTB

1. Specifications

Type				Wall mounted							
				Inverter heat pump							
Model name				ASYG07KMTA ASYG07KMTB	ASYG09KMTA ASYG09KMTB	ASYG12KMTA ASYG12KMTB	ASYG14KMTA ASYG14KMTB				
Power supply				230 V ~ 50 Hz							
Available voltage range				198—264 V							
Capacity	Cooling	Rated	kW	2.00	2.50	3.40	4.20				
			Btu/h	6,800	8,500	11,600	14,300				
		Min.—Max.	kW	0.9—3.0	0.9—3.2	0.9—3.9	0.9—4.4				
			Btu/h	3,100—10,200	3,100—10,900	3,100—13,300	3,100—15,000				
	Heating	Rated	kW	2.50	2.80	4.00	5.40				
			Btu/h	8,500	9,500	13,600	18,400				
		Min.—Max.	kW	0.9—3.4	0.9—4.0	0.9—5.3	0.9—6.0				
			Btu/h	3,100—11,600	3,100—13,600	3,100—18,000	3,100—20,500				
Input power	Cooling	Rated	kW	0.450	0.630	0.935	1.220				
		Min.—Max.		0.25—1.17	0.25—1.21	0.25—1.27	0.25—1.40				
		Rated		0.555	0.620	0.960	1.410				
	Heating	Min.—Max.	0.25—1.21	0.25—1.26	0.25—1.52	0.25—1.73					
		Fan	HIGH	W	22.1	26.5	26.5	33.6			
			MED		15.1	16.0	16.0	20.0			
	LOW		10.0		10.0	6.4	11.8				
	QUIET		6.4		6.4	4.8	7.1				
	Current	Cooling	Rated	A	2.6	3.4	4.8	5.8			
		Heating			3.0	3.4	5.1	6.8			
	EER	Cooling			4.43	3.97	3.65	3.44			
	COP	Heating			4.52	4.52	4.17	3.83			
Sensible capacity	Cooling			1.2	1.6	2.2	3.2				
Power factor	Cooling			75	81	88	88				
	Heating			80	79	87	87				
Moisture removal			L/h (pints/h)	1.0 (1.8)	1.3 (2.3)	1.8 (3.2)	2.1 (3.7)				
Maximum operating current *1	Cooling			6.5	6.5	6.5	6.5				
	Heating			9.0	9.0	9.0	9.0				
Fan	Airflow rate	Cooling	m ³ /h	HIGH	650	700	700	770			
				MED	540	560	560	600			
				LOW	430	430	430	450			
				QUIET	270	270	270	280			
		Heating		HIGH	720	750	770	800			
				MED	580	610	640	660			
				LOW	460	470	520	520			
				QUIET	330	330	330	340			
	Type × Q'ty			Crossflow fan × 1							
	Motor output			W	22	24	27	30			
Sound pressure level *2	Cooling		dB (A)	HIGH	38	40	40	43			
				MED	33	34	35	36			
				LOW	29	29	30	30			
				QUIET	20	20	20	20			
	Heating			HIGH	41	42	42	44			
				MED	35	36	38	39			
				LOW	31	31	33	33			
				QUIET	22	22	22	24			
				Heat exchanger type	Dimensions (H × W × D)		mm	Main1: 210 × 670 × 26.6 Main2: 112 × 670 × 20			Main1: 210 × 670 × 26.6 Main2: 112 × 670 × 20 Sub: 84 × 670 × 13.3
					Fin pitch			Man1: 1.2, Main2: 1.1			Man1: 1.2, Main2: 1.1, Sub: 1.4
Rows × Stages		Main1: 2 × 10, Main2: 2 × 7			Main1: 2 × 10, Main2: 2 × 7, Sub: 1 × 4						
Pipe type		Copper tube									
Fin type		Aluminum									
Material		Polystyrene									
Color		White + Pearl white (painted) Approximate color of Munsell N 9.25/									
Dimensions (H × W × D)	Net		mm	270 × 834 × 222							
	Gross			277 × 914 × 332							
Weight	Net		kg	10.0							
	Gross			12.5		13.0					
Connection pipe	Size	Liquid	mm (in)	Ø 6.35 (Ø 1/4)							
		Gas		Ø 9.52 (Ø 3/8)							
	Method			Flare							
Drain hose	Material		PP+LLDPE								
	Tip diameter		Ø 11.8 (I.D.), Ø 15.0 to Ø 16.8 (O.D.)								
Operation range	Cooling			°C							
				18 to 32							
	Heating			%RH							
		80 or less									
Remote controller type			°C								
			16 to 30								
Remote controller type				Wireless (Wired, Mobile app*3 [FGLair™] [option])							

NOTES:

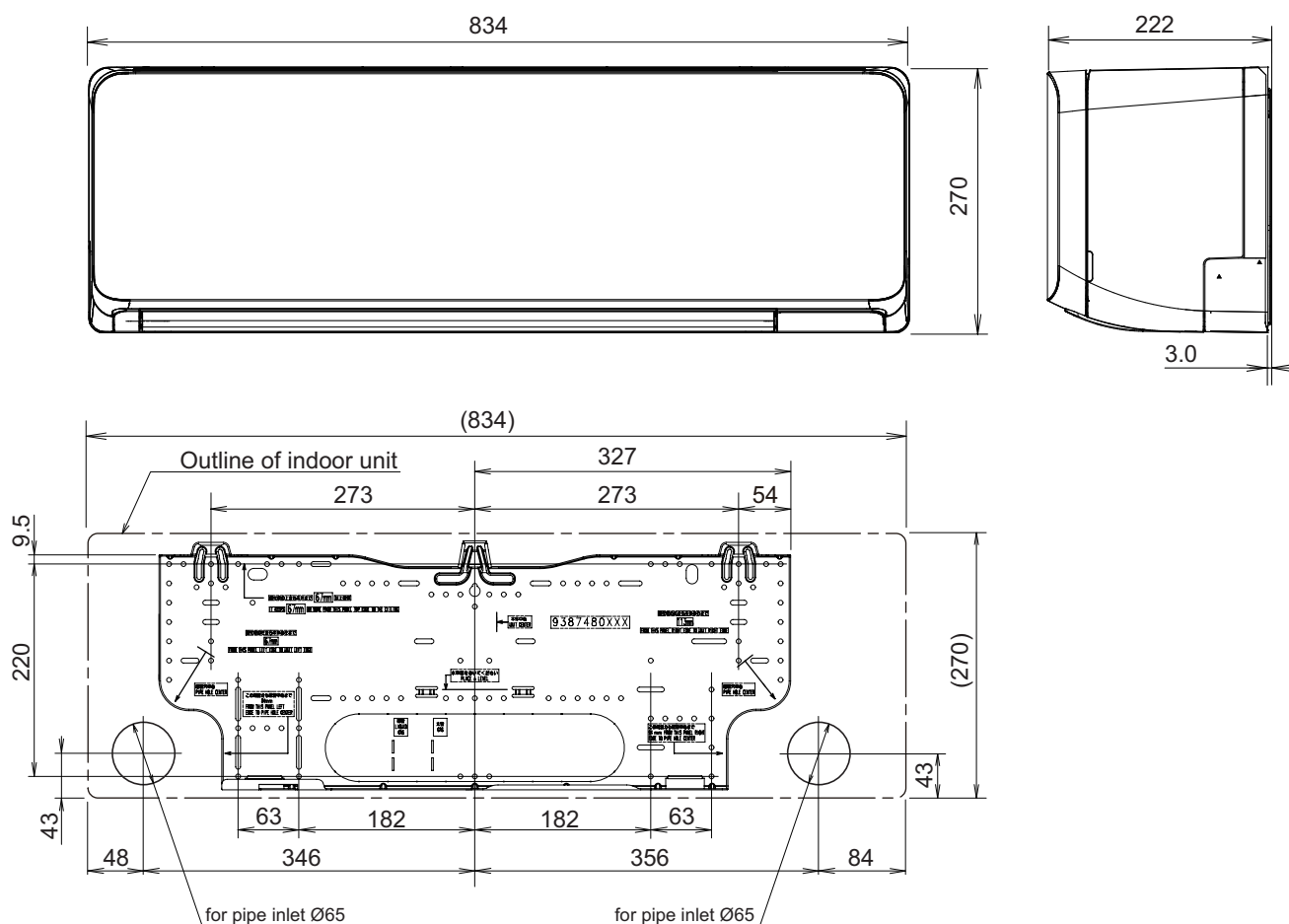
- Specifications are based on the following conditions:
 - Cooling: Indoor temperature of 27 °CDB/19 °CWB, and outdoor temperature of 35 °CDB/24 °CWB.
 - Heating: Indoor temperature of 20 °CDB/15 °CWB, and outdoor temperature of 7 °CDB/6 °CWB.
 - Pipe length: 5 m, Height difference: 0 m. (Between outdoor unit and indoor unit.)
- Protective function might work when using it outside the operation range.
- *1: Maximum current is maximum value when operated within the operation range.
- *2: Sound pressure level:
 - Measured values in manufacturer's anechoic chamber.
 - Because of the surrounding sound environment, the sound levels measured in actual installation conditions might be higher than the specified values here.
- *3: Available on Google Play™ store or on App Store®. Optional WLAN adapter is also required. For details, refer to the setting manual.

Specifications for Lot10							
Model name			ASYG07KMTA ASYG07KMTB	ASYG09KMTA ASYG09KMTB	ASYG12KMTA ASYG12KMTB	ASYG14KMTA ASYG14KMTB	
Energy efficiency class	Cooling		A ⁺⁺				
	Heating (Average)		A ⁺				
Pdesign	Cooling	kW	2.0 (35 °C)	2.5 (35 °C)	3.4 (35 °C)	4.2 (35 °C)	
	Heating (Average)		2.3 (-10 °C)	2.4 (-10 °C)	2.5 (-10 °C)	4.0 (-10 °C)	
SEER	Cooling	kWh/kWh	7.4	7.4	7.3	6.9	
SCOP	Heating (Average)		4.1	4.1	4.4	4.1	
Annual energy consumption	QCE	kWh/a	95	118	163	213	
	QHE (Average)		785	819	795	1,367	
Sound power level	Cooling	HIGH	dB (A)	54	55	55	57
	Heating			56	57	58	59

2. Dimensions

2-1. Models: ASYG07KMTA, ASYG07KMTB, ASYG09KMTA, ASYG09KMTB, ASYG12KMTA, ASYG12KMTB, ASYG14KMTA, and ASYG14KMTB

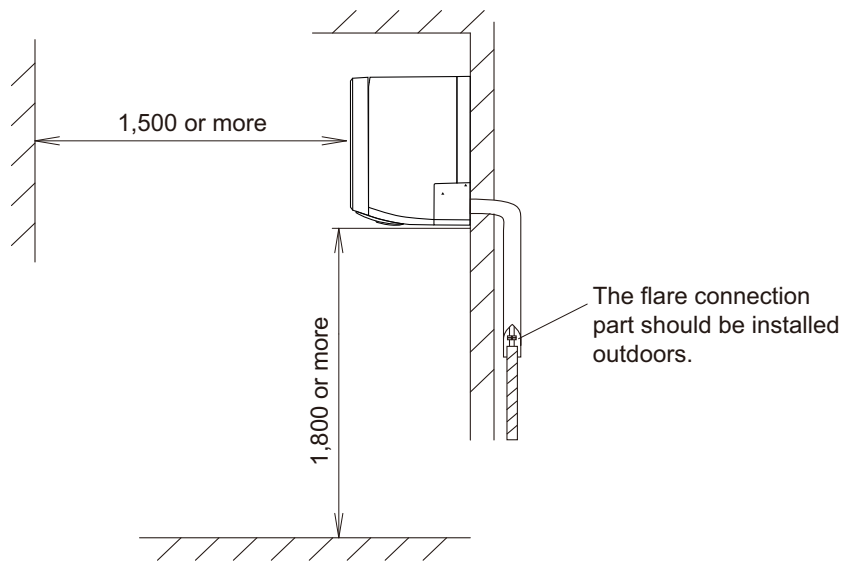
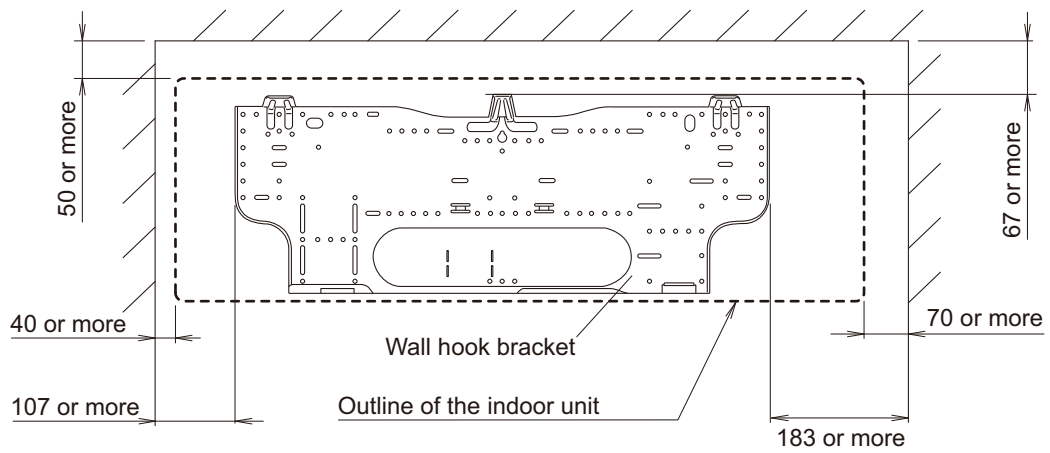
Unit: mm



Installation space requirement

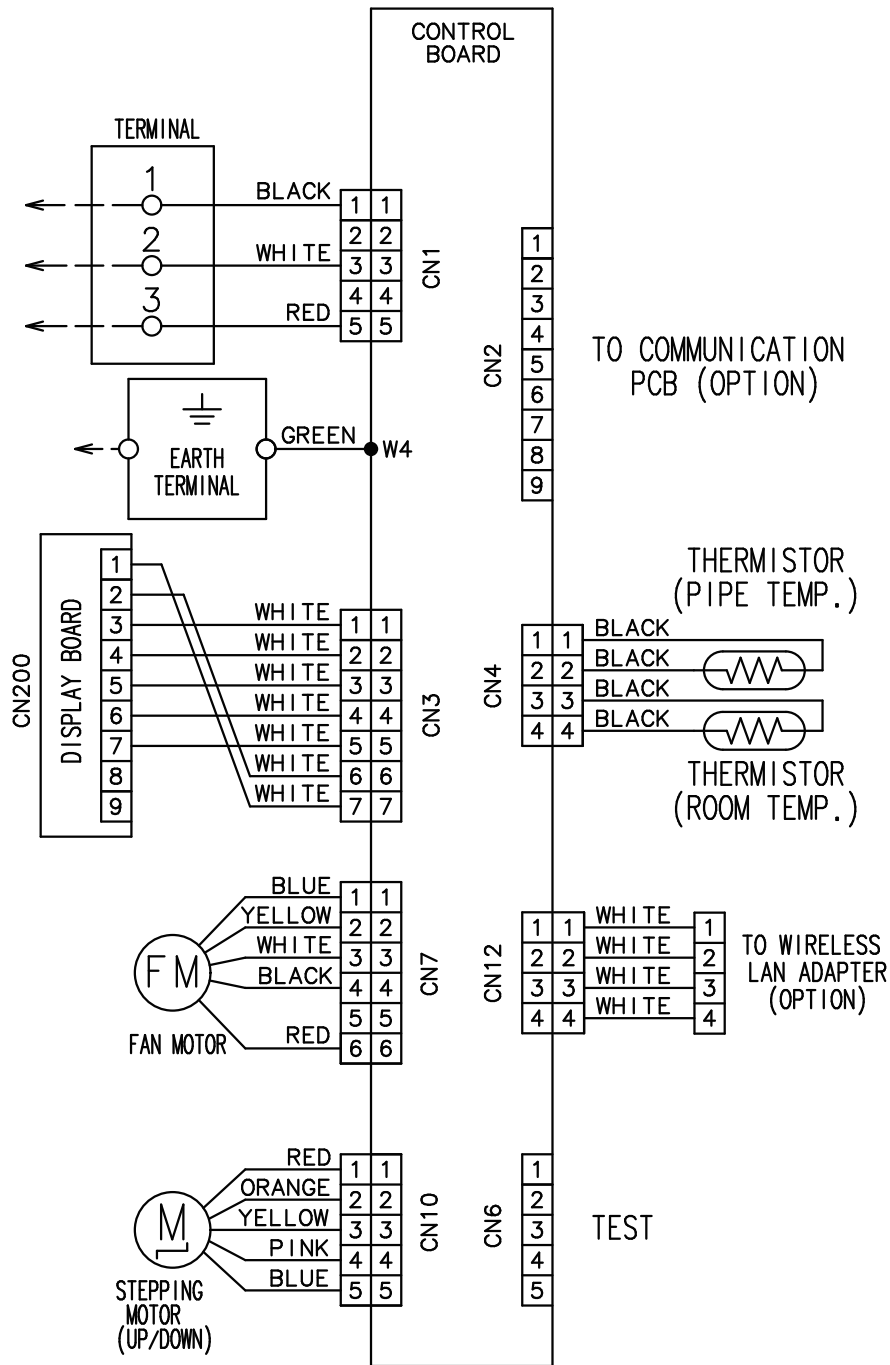
Provide sufficient installation space for product safety.

Unit: mm



3. Wiring diagrams

3-1. Models: ASYG07KMTA, ASYG07KMTB, ASYG09KMTA, ASYG09KMTB, ASYG12KMTA, ASYG12KMTB, ASYG14KMTA, and ASYG14KMTB



4. Capacity table

Capacity tables show each of following values calculated based on the outdoor temperature and the indoor temperature, under given Airflow Rate (AFR):

For cooling capacity: Total Capacity (TC), Sensible Heat Capacity (SHC), and Input Power (IP)

For heating capacity: Total Capacity (TC) and Input Power (IP)

4-1. Cooling capacity

■ Models: ASYG07KMTA and ASYG07KMTB

AFR		m ³ /h									650													
Outdoor temperature	Indoor temperature																							
	°CDB			18			21			23			25			27			29			32		
	°CWB			12			15			16			18			19			21			23		
	°CDB			TC	SHC	IP	TC	SHC	IP	TC	SHC	IP	TC	SHC	IP	TC	SHC	IP	TC	SHC	IP	TC	SHC	IP
	kW			kW			kW			kW			kW			kW			kW			kW		
-10	2.07	1.20	0.25	2.25	1.25	0.25	2.37	1.28	0.25	2.49	1.31	0.25	2.55	1.35	0.25	2.73	1.37	0.24	2.91	1.42	0.24			
0	2.02	1.17	0.29	2.19	1.22	0.28	2.31	1.25	0.28	2.43	1.28	0.28	2.48	1.31	0.28	2.66	1.34	0.27	2.84	1.38	0.27			
5	1.91	1.14	0.38	2.07	1.19	0.38	2.18	1.21	0.38	2.29	1.24	0.37	2.34	1.28	0.38	2.51	1.30	0.37	2.68	1.34	0.37			
10	1.96	1.13	0.36	2.13	1.17	0.36	2.24	1.20	0.35	2.36	1.23	0.35	2.41	1.27	0.35	2.58	1.29	0.35	2.75	1.33	0.34			
15	1.92	1.14	0.36	2.08	1.18	0.35	2.20	1.21	0.35	2.31	1.24	0.35	2.36	1.27	0.35	2.53	1.29	0.34	2.70	1.34	0.34			
20	1.86	1.13	0.37	2.02	1.18	0.36	2.13	1.20	0.36	2.24	1.23	0.36	2.29	1.27	0.36	2.46	1.29	0.35	2.62	1.33	0.35			
25	1.80	1.12	0.39	1.95	1.16	0.38	2.06	1.19	0.38	2.16	1.22	0.38	2.21	1.25	0.38	2.37	1.28	0.37	2.53	1.32	0.37			
30	1.72	1.10	0.42	1.87	1.14	0.41	1.97	1.17	0.41	2.07	1.20	0.41	2.11	1.23	0.41	2.27	1.25	0.40	2.42	1.30	0.40			
35	1.63	1.07	0.46	1.77	1.11	0.45	1.86	1.14	0.45	1.96	1.17	0.45	2.00	1.20	0.45	2.15	1.22	0.44	2.29	1.26	0.44			
40	1.52	1.03	0.51	1.66	1.07	0.50	1.75	1.10	0.50	1.83	1.13	0.50	1.87	1.16	0.50	2.01	1.18	0.49	2.14	1.22	0.49			
46	1.39	0.98	0.59	1.51	1.02	0.58	1.59	1.04	0.58	1.67	1.07	0.57	1.70	1.10	0.58	1.83	1.12	0.57	1.95	1.15	0.56			

■ Models: ASYG09KMTA and ASYG09KMTB

AFR		m ³ /h									700													
Outdoor temperature	Indoor temperature																							
	°CDB			18			21			23			25			27			29			32		
	°CWB			12			15			16			18			19			21			23		
	°CDB			TC	SHC	IP	TC	SHC	IP	TC	SHC	IP	TC	SHC	IP	TC	SHC	IP	TC	SHC	IP	TC	SHC	IP
	kW			kW			kW			kW			kW			kW			kW			kW		
-10	2.59	1.60	0.36	2.82	1.66	0.35	2.97	1.70	0.35	3.12	1.74	0.35	3.18	1.79	0.35	3.42	1.83	0.34	3.64	1.89	0.34			
0	2.52	1.56	0.40	2.74	1.62	0.40	2.89	1.66	0.39	3.04	1.70	0.39	3.10	1.75	0.39	3.33	1.78	0.38	3.55	1.84	0.38			
5	2.38	1.52	0.54	2.59	1.58	0.53	2.73	1.62	0.53	2.87	1.66	0.52	2.93	1.71	0.53	3.14	1.73	0.52	3.35	1.79	0.51			
10	2.45	1.51	0.50	2.66	1.57	0.50	2.80	1.60	0.50	2.95	1.64	0.49	3.01	1.69	0.50	3.23	1.72	0.49	3.44	1.78	0.48			
15	2.40	1.51	0.50	2.61	1.57	0.50	2.74	1.61	0.49	2.88	1.65	0.49	2.95	1.70	0.49	3.16	1.73	0.48	3.37	1.78	0.48			
20	2.33	1.51	0.51	2.53	1.57	0.51	2.67	1.61	0.50	2.80	1.64	0.50	2.86	1.69	0.50	3.07	1.72	0.49	3.27	1.78	0.49			
25	2.25	1.49	0.54	2.44	1.55	0.53	2.57	1.59	0.53	2.70	1.63	0.53	2.76	1.67	0.53	2.96	1.70	0.52	3.16	1.76	0.51			
30	2.15	1.47	0.58	2.33	1.52	0.58	2.46	1.56	0.57	2.58	1.60	0.57	2.64	1.64	0.57	2.83	1.67	0.56	3.02	1.73	0.56			
35	2.03	1.43	0.64	2.21	1.48	0.63	2.33	1.52	0.63	2.45	1.56	0.63	2.50	1.60	0.63	2.68	1.63	0.62	2.86	1.68	0.61			
40	1.91	1.38	0.71	2.07	1.43	0.71	2.18	1.47	0.70	2.29	1.50	0.70	2.34	1.54	0.70	2.51	1.57	0.69	2.68	1.62	0.68			
46	1.73	1.31	0.82	1.88	1.36	0.81	1.98	1.39	0.81	2.08	1.42	0.80	2.13	1.46	0.81	2.28	1.49	0.79	2.44	1.54	0.78			

■ Models: ASYG12KMTA and ASYG12KMTB

AFR		m ³ /h									700													
Outdoor temperature	Indoor temperature																							
	°CDB			18			21			23			25			27			29			32		
	°CWB			12			15			16			18			19			21			23		
	°CDB			TC	SHC	IP	TC	SHC	IP	TC	SHC	IP	TC	SHC	IP	TC	SHC	IP	TC	SHC	IP	TC	SHC	IP
	kW			kW			kW			kW			kW			kW			kW			kW		
-10	3.45	2.30	0.54	3.75	2.37	0.54	3.94	2.42	0.53	4.14	2.46	0.53	4.26	2.52	0.53	4.53	2.56	0.53	4.82	2.63	0.52			
0	3.22	2.20	0.70	3.50	2.27	0.69	3.68	2.32	0.69	3.86	2.36	0.69	3.97	2.41	0.68	4.22	2.45	0.68	4.50	2.52	0.68			
5	3.06	2.15	0.81	3.32	2.21	0.81	3.49	2.26	0.80	3.66	2.30	0.80	3.77	2.35	0.79	4.01	2.39	0.79	4.27	2.45	0.79			
10	3.35	2.31	0.61	3.63	2.38	0.61	3.82	2.43	0.60	4.01	2.47	0.60	4.12	2.53	0.59	4.38	2.57	0.60	4.67	2.64	0.59			
15	3.27	2.23	0.67	3.55	2.30	0.67	3.73	2.34	0.66	3.92	2.39	0.66	4.03	2.44	0.65	4.28	2.48	0.65	4.56	2.55	0.65			
20	3.17	2.16	0.73	3.44	2.22	0.73	3.62	2.27	0.73	3.80	2.31	0.72	3.91	2.36	0.71	4.16	2.40	0.72	4.43	2.47	0.71			
25	3.06	2.10	0.80	3.31	2.16	0.80	3.49	2.20	0.79	3.66	2.25	0.79	3.76	2.30	0.78	4.00	2.33	0.78	4.26	2.40	0.78			
30	2.92	2.05	0.88	3.17	2.11	0.87	3.33	2.15	0.87	3.49	2.19	0.87	3.59	2.24	0.86	3.82	2.28	0.86	4.07	2.34	0.85			
35	2.76	2.01	0.96	2.99	2.07	0.95	3.15	2.11	0.95	3.30	2.15	0.95	3.40	2.20	0.94	3.62	2.24	0.94	3.85	2.30	0.93			
40	2.58	1.98	1.05	2.80	2.04	1.04	2.95	2.08	1.04	3.09	2.12	1.03	3.18	2.17	1.02	3.38	2.21	1.02	3.60	2.27	1.01			
46	2.34	1.97	1.16	2.54	2.03	1.15	2.67	2.07	1.15	2.80	2.11	1.14	2.88	2.15	1.13	3.07	2.19	1.13	3.26	2.25	1.12			

■ Models: ASYG14KMTA and ASYG14KMTB

AFR	m ³ /h	770
-----	-------------------	-----

Outdoor temperature	Indoor temperature																				
	18			21			23			25			27			29			32		
	°CDB			°CWB			°CDB			°CWB			°CDB			°CWB					
	TC	SHC	IP	TC	SHC	IP	TC	SHC	IP	TC	SHC	IP	TC	SHC	IP	TC	SHC	IP	TC	SHC	IP
	kW			kW			kW			kW			kW			kW			kW		
-10	3.77	3.49	0.67	4.11	3.62	0.66	4.34	3.70	0.66	4.57	3.79	0.65	4.85	3.86	0.65	5.03	3.95	0.65	5.37	4.08	0.64
0	3.59	3.39	0.88	3.92	3.51	0.88	4.14	3.60	0.87	4.35	3.68	0.87	4.62	3.74	0.86	4.79	3.84	0.86	5.12	3.96	0.85
5	3.50	3.34	0.99	3.82	3.46	0.99	4.04	3.54	0.98	4.25	3.62	0.98	4.51	3.69	0.96	4.67	3.78	0.97	4.99	3.90	0.96
10	3.64	3.40	0.63	3.97	3.52	0.62	4.19	3.60	0.62	4.41	3.68	0.62	4.68	3.75	0.61	4.85	3.84	0.61	5.19	3.97	0.61
15	3.65	3.33	0.78	3.99	3.45	0.78	4.21	3.53	0.77	4.43	3.61	0.77	4.70	3.67	0.76	4.88	3.77	0.76	5.21	3.89	0.76
20	3.62	3.25	0.92	3.96	3.36	0.92	4.18	3.44	0.91	4.40	3.52	0.91	4.67	3.58	0.90	4.84	3.67	0.90	5.17	3.79	0.89
25	3.55	3.15	1.05	3.87	3.26	1.04	4.09	3.33	1.04	4.31	3.41	1.03	4.57	3.47	1.02	4.74	3.56	1.02	5.06	3.67	1.01
30	3.43	3.03	1.16	3.74	3.14	1.15	3.95	3.21	1.15	4.16	3.28	1.14	4.42	3.34	1.13	4.58	3.43	1.13	4.89	3.54	1.12
35	3.26	2.90	1.26	3.56	3.00	1.25	3.76	3.07	1.24	3.96	3.14	1.23	4.20	3.20	1.22	4.35	3.28	1.22	4.65	3.39	1.21
40	3.05	2.75	1.34	3.33	2.85	1.33	3.51	2.92	1.32	3.70	2.98	1.31	3.93	3.04	1.30	4.07	3.12	1.30	4.35	3.21	1.29
46	2.73	2.55	1.41	2.98	2.65	1.40	3.15	2.71	1.40	3.31	2.77	1.39	3.52	2.82	1.37	3.65	2.89	1.37	3.90	2.98	1.36

4-2. Heating capacity

NOTE: Values mentioned in the table are calculated based on the maximum capacity.

Models: ASYG07KMTA and ASYG07KMTB

AFR		m ³ /h		720											
Outdoor temperature		°CDB °CWB		Indoor temperature											
				16		18		20		22		24			
				TC	IP	TC	IP	TC	IP	TC	IP	TC	IP		
		kW		kW		kW		kW		kW					
-15	-16	1.85	0.95	1.83	0.97	1.81	0.98	1.80	1.02	1.78	1.04				
-10	-11	2.22	1.00	2.20	1.02	2.17	1.03	2.16	1.07	2.14	1.10				
-5	-7	2.59	1.05	2.57	1.07	2.53	1.09	2.52	1.12	2.50	1.15				
0	-2	2.96	1.10	2.93	1.13	2.89	1.14	2.88	1.18	2.86	1.21				
5	3	3.33	1.15	3.30	1.18	3.26	1.19	3.24	1.23	3.21	1.26				
7	6	3.48	1.17	3.45	1.20	3.40	1.21	3.39	1.25	3.36	1.28				
10	8	3.70	1.20	3.67	1.23	3.62	1.24	3.60	1.29	3.57	1.32				
15	10	3.68	1.11	3.64	1.14	3.59	1.15	3.58	1.19	3.55	1.22				
20	15	3.87	1.06	3.84	1.09	3.78	1.10	3.77	1.14	3.74	1.17				
24	18	4.03	1.02	3.99	1.05	3.94	1.06	3.92	1.10	3.89	1.12				

Models: ASYG09KMTA and ASYG09KMTB

AFR		m ³ /h		750											
Outdoor temperature		°CDB °CWB		Indoor temperature											
				16		18		20		22		24			
				TC	IP	TC	IP	TC	IP	TC	IP	TC	IP		
		kW		kW		kW		kW		kW					
-15	-16	2.14	0.99	2.13	1.02	2.12	1.02	2.12	1.06	2.11	1.09				
-10	-11	2.57	1.04	2.56	1.07	2.55	1.08	2.55	1.12	2.54	1.15				
-5	-7	3.00	1.09	2.99	1.12	2.98	1.13	2.97	1.18	2.96	1.20				
0	-2	3.43	1.15	3.42	1.17	3.40	1.19	3.40	1.23	3.39	1.26				
5	3	3.86	1.20	3.85	1.23	3.83	1.24	3.83	1.29	3.81	1.32				
7	6	4.04	1.22	4.02	1.25	4.00	1.26	4.00	1.31	3.98	1.34				
10	8	4.29	1.25	4.28	1.28	4.26	1.29	4.25	1.34	4.24	1.37				
15	10	4.43	1.26	4.42	1.29	4.39	1.30	4.39	1.35	4.37	1.38				
20	15	4.85	1.27	4.83	1.30	4.80	1.31	4.80	1.36	4.78	1.39				
24	18	5.18	1.28	5.16	1.31	5.13	1.32	5.13	1.37	5.11	1.40				

Models: ASYG12KMTA and ASYG12KMTB

AFR		m ³ /h		770											
Outdoor temperature		°CDB °CWB		Indoor temperature											
				16		18		20		22		24			
				TC	IP	TC	IP	TC	IP	TC	IP	TC	IP		
		kW		kW		kW		kW		kW					
-15	-16	2.88	1.19	2.86	1.22	2.82	1.23	2.81	1.28	2.78	1.31				
-10	-11	3.46	1.25	3.43	1.28	3.38	1.30	3.37	1.35	3.34	1.38				
-5	-7	4.04	1.32	4.00	1.35	3.94	1.36	3.93	1.41	3.89	1.44				
0	-2	4.62	1.38	4.57	1.41	4.51	1.43	4.49	1.48	4.45	1.51				
5	3	5.19	1.44	5.15	1.48	5.07	1.49	5.05	1.55	5.01	1.58				
7	6	5.42	1.47	5.38	1.50	5.30	1.52	5.28	1.58	5.23	1.61				
10	8	5.77	1.51	5.72	1.54	5.64	1.56	5.62	1.62	5.57	1.65				
15	10	5.73	1.40	5.68	1.43	5.60	1.45	5.58	1.50	5.53	1.53				
20	15	6.04	1.34	5.98	1.37	5.90	1.38	5.88	1.43	5.82	1.47				
24	18	6.28	1.29	6.23	1.32	6.14	1.33	6.12	1.38	6.06	1.41				

Models: ASYG14KMTA and ASYG14KMTB

AFR		m ³ /h		800											
Outdoor temperature		°CDB °CWB		Indoor temperature											
				16		18		20		22		24			
				TC	IP	TC	IP	TC	IP	TC	IP	TC	IP		
		kW		kW		kW		kW		kW					
-15	-16	3.26	1.36	3.23	1.39	3.19	1.40	3.18	1.45	3.15	1.49				
-10	-11	3.92	1.43	3.88	1.46	3.83	1.48	3.81	1.53	3.78	1.57				
-5	-7	4.57	1.50	4.53	1.54	4.47	1.55	4.45	1.61	4.41	1.64				
0	-2	5.23	1.57	5.18	1.61	5.11	1.63	5.09	1.69	5.04	1.72				
5	3	5.88	1.64	5.83	1.68	5.74	1.70	5.72	1.76	5.67	1.80				
7	6	6.14	1.67	6.09	1.71	6.00	1.73	5.98	1.79	5.92	1.83				
10	8	6.53	1.72	6.48	1.76	6.38	1.77	6.36	1.84	6.30	1.88				
15	10	6.49	1.59	6.43	1.63	6.34	1.65	6.32	1.71	6.26	1.75				
20	15	6.84	1.52	6.77	1.56	6.68	1.57	6.65	1.63	6.59	1.67				
24	18	7.11	1.47	7.05	1.50	6.95	1.52	6.92	1.57	6.86	1.61				

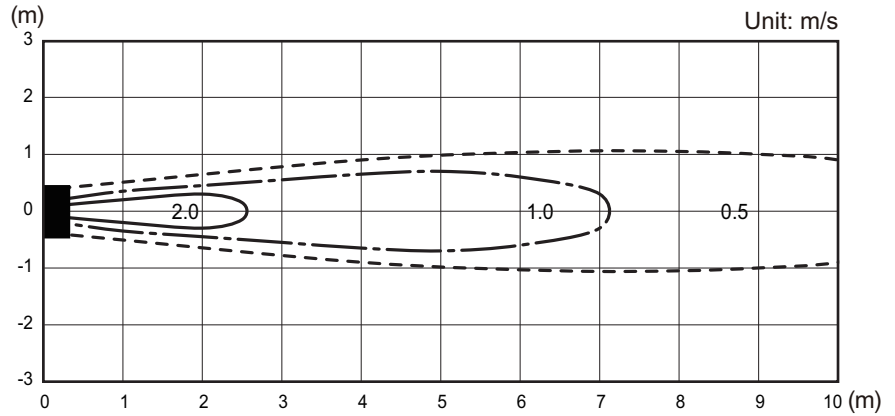
5. Fan performance

5-1. Air velocity distributions

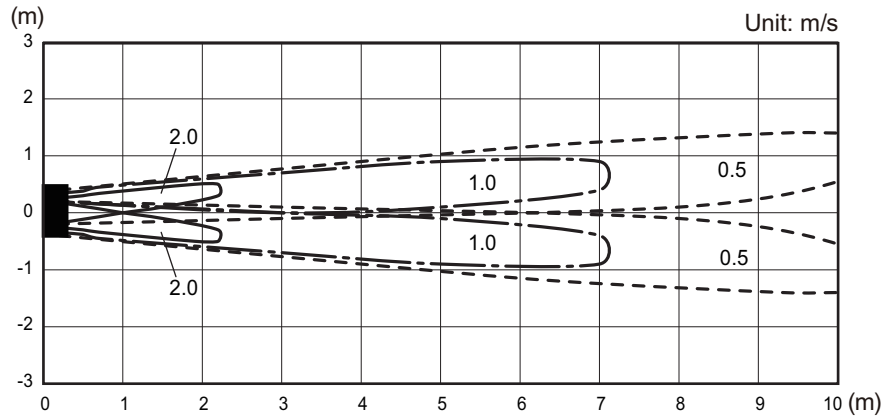
■ Models: ASYG07KMTA, ASYG07KMTB, ASYG09KMTA, ASYG09KMTB, ASYG12KMTA, and ASYG12KMTB

Measuring conditions	Fan speed	Operation mode
	HIGH	FAN

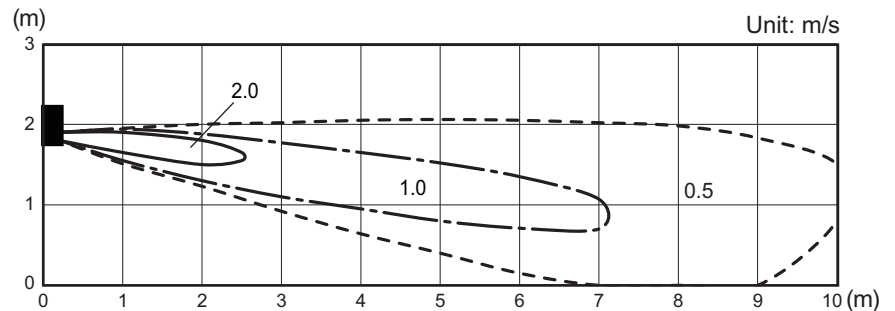
Top view
Vertical airflow direction louver: Up
Horizontal airflow direction louver: Center



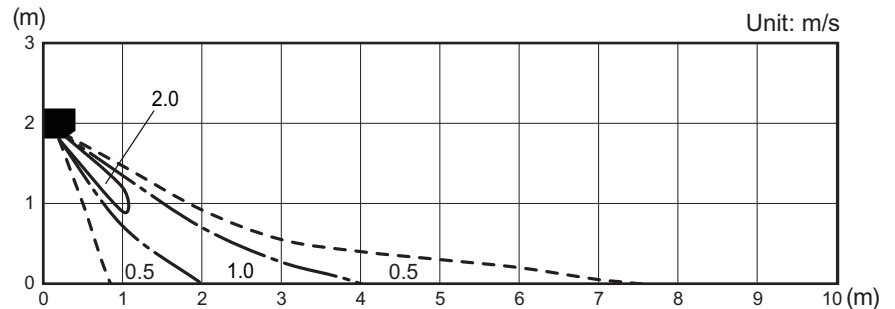
Top view
Vertical airflow direction louver: Up
Horizontal airflow direction louver: Left & Right



Side view
Vertical airflow direction louver: Up
Horizontal airflow direction louver: Center



Side view
Vertical airflow direction louver: Down
Horizontal airflow direction louver: Center



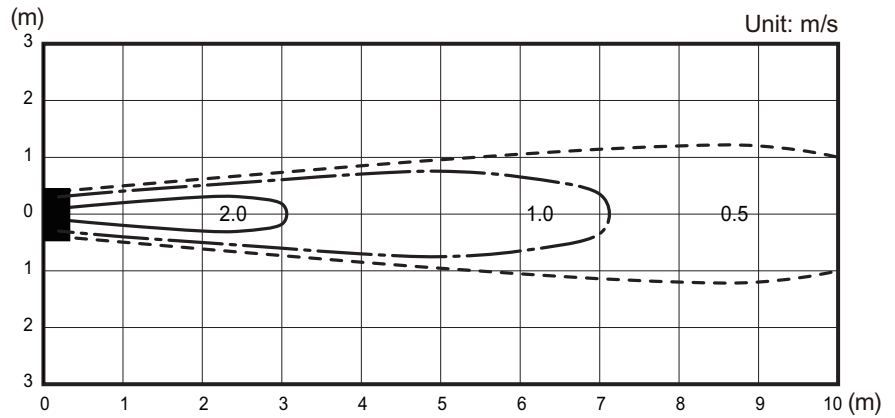
Models: ASYG14KMTA and ASYG14KMTB

WALL MOUNTED
ASYG07-14KMT

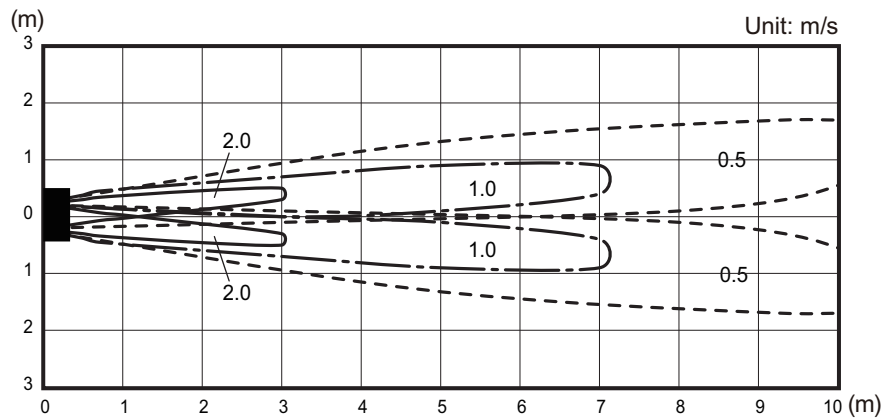
WALL MOUNTED
ASYG07-14KMT

Measuring conditions	Fan speed	Operation mode
	HIGH	FAN

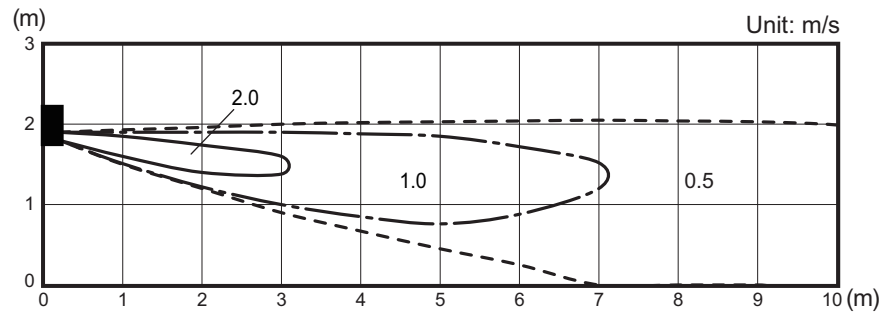
Top view
Vertical airflow direction louver: Up
Horizontal airflow direction louver: Center



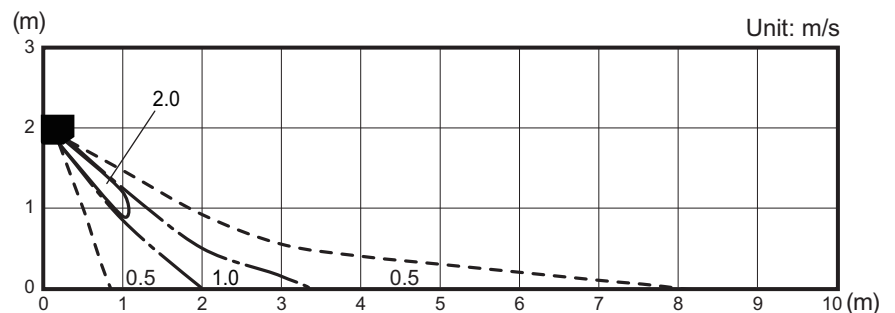
Top view
Vertical airflow direction louver: Up
Horizontal airflow direction louver: Left & Right



Side view
Vertical airflow direction louver: Up
Horizontal airflow direction louver: Center



Side view
Vertical airflow direction louver: Down
Horizontal airflow direction louver: Center



5-2. Airflow

■ Models: ASYG07KMTA and ASYG07KMTB

● Cooling

Fan speed	Airflow	
HIGH	m ³ /h	650
	l/s	181
	CFM	383
MED	m ³ /h	540
	l/s	150
	CFM	318
LOW	m ³ /h	430
	l/s	119
	CFM	253
QUIET	m ³ /h	270
	l/s	75
	CFM	159

● Heating

Fan speed	Airflow	
HIGH	m ³ /h	720
	l/s	200
	CFM	424
MED	m ³ /h	580
	l/s	161
	CFM	341
LOW	m ³ /h	460
	l/s	128
	CFM	271
QUIET	m ³ /h	330
	l/s	92
	CFM	194

■ Models: ASYG09KMTA and ASYG09KMTB

● Cooling

Fan speed	Airflow	
HIGH	m ³ /h	700
	l/s	194
	CFM	412
MED	m ³ /h	560
	l/s	156
	CFM	330
LOW	m ³ /h	430
	l/s	119
	CFM	253
QUIET	m ³ /h	270
	l/s	75
	CFM	159

● Heating

Fan speed	Airflow	
HIGH	m ³ /h	750
	l/s	208
	CFM	441
MED	m ³ /h	610
	l/s	169
	CFM	359
LOW	m ³ /h	470
	l/s	131
	CFM	277
QUIET	m ³ /h	330
	l/s	92
	CFM	194

■ Models: ASYG12KMTA and ASYG12KMTB

● Cooling

Fan speed	Airflow	
HIGH	m ³ /h	700
	l/s	194
	CFM	412
MED	m ³ /h	560
	l/s	156
	CFM	330
LOW	m ³ /h	430
	l/s	119
	CFM	253
QUIET	m ³ /h	270
	l/s	75
	CFM	159

● Heating

Fan speed	Airflow	
HIGH	m ³ /h	770
	l/s	214
	CFM	453
MED	m ³ /h	640
	l/s	178
	CFM	377
LOW	m ³ /h	520
	l/s	144
	CFM	306
QUIET	m ³ /h	330
	l/s	92
	CFM	194

■ Models: ASYG14KMTA and ASYG14KMTB

● Cooling

Fan speed	Airflow	
HIGH	m ³ /h	770
	l/s	214
	CFM	453
MED	m ³ /h	600
	l/s	167
	CFM	353
LOW	m ³ /h	450
	l/s	125
	CFM	265
QUIET	m ³ /h	280
	l/s	78
	CFM	165

● Heating

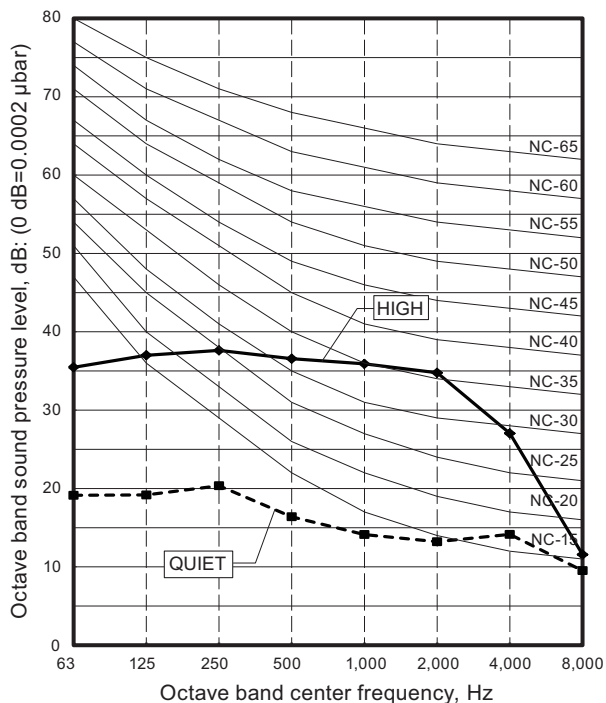
Fan speed	Airflow	
HIGH	m ³ /h	800
	l/s	222
	CFM	471
MED	m ³ /h	660
	l/s	183
	CFM	388
LOW	m ³ /h	520
	l/s	144
	CFM	306
QUIET	m ³ /h	340
	l/s	94
	CFM	200

6. Operation noise (sound pressure)

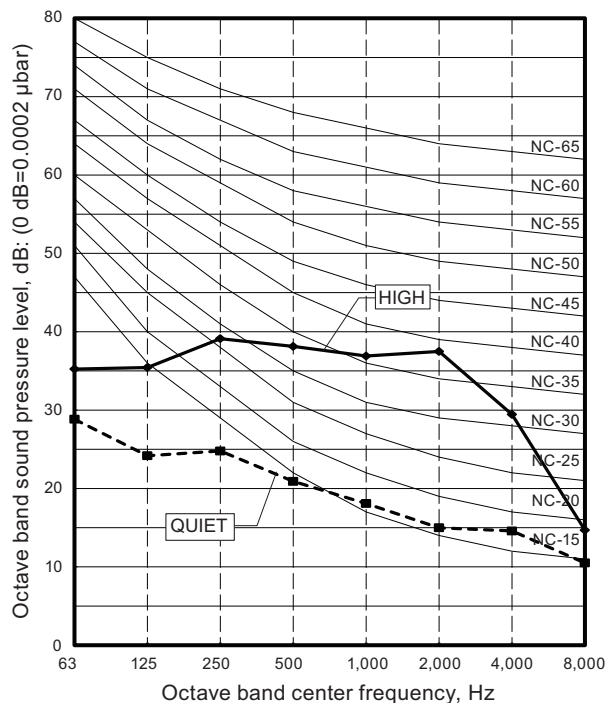
6-1. Noise level curve

■ Models: ASYG07KMTA and ASYG07KMTB

● Cooling

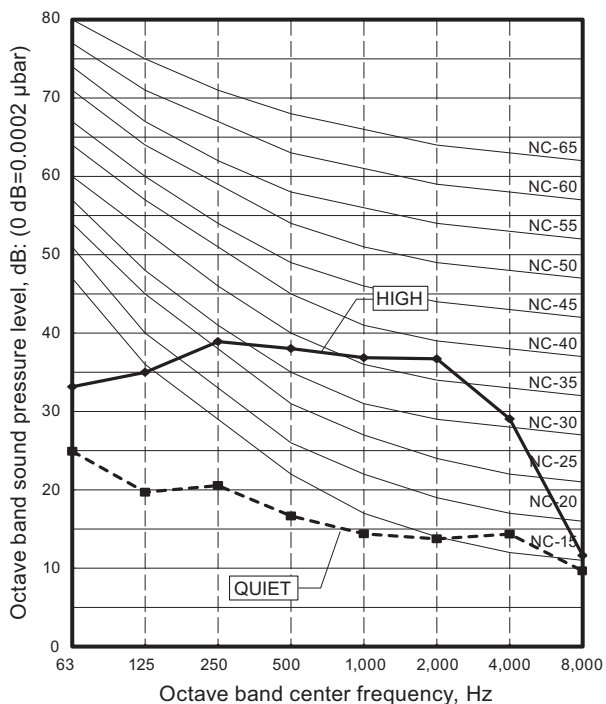


● Heating

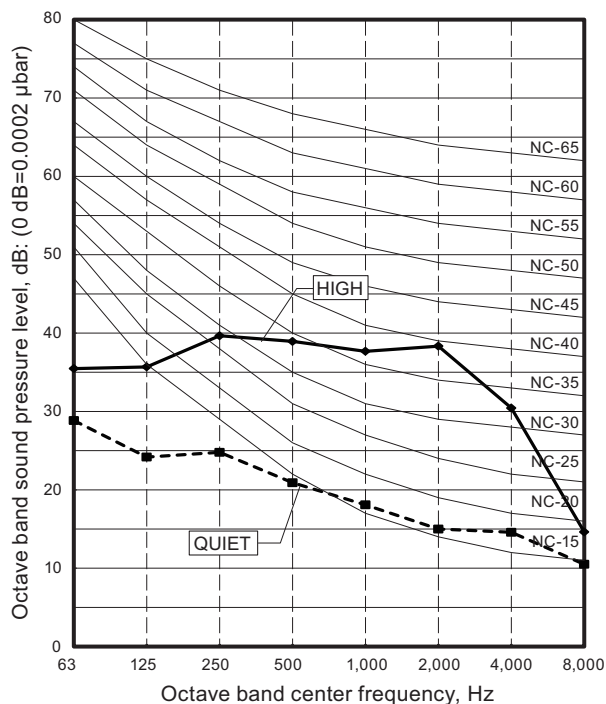


■ Models: ASYG09KMTA and ASYG09KMTB

● Cooling

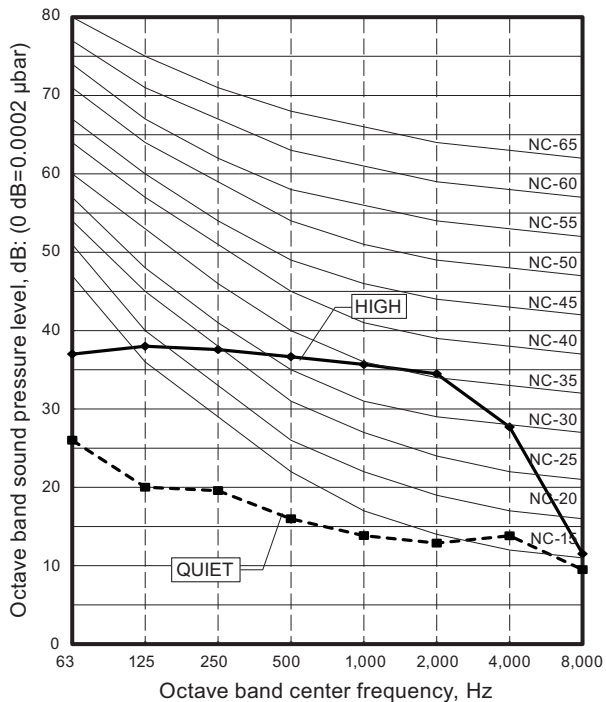


● Heating

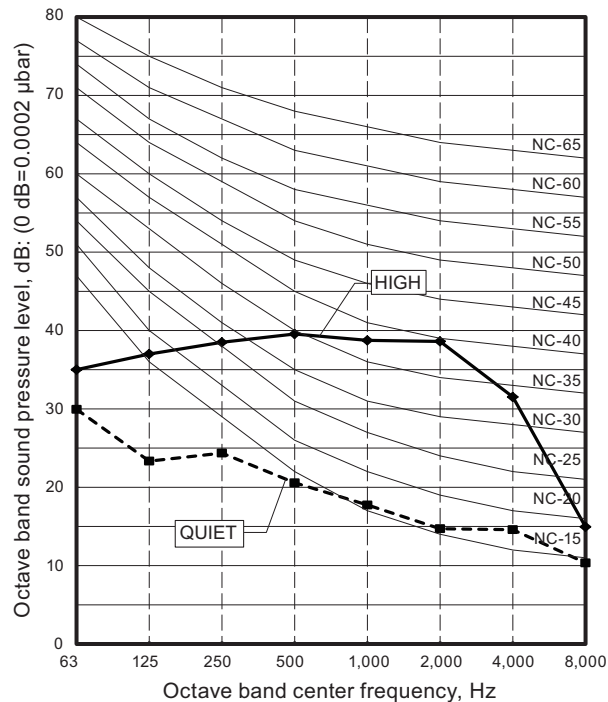


Models: ASYG12KMTA and ASYG12KMTB

Cooling

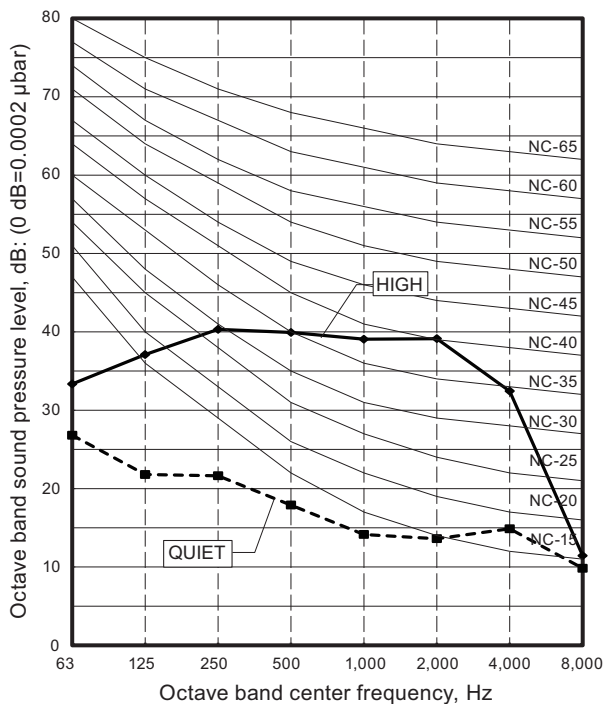


Heating

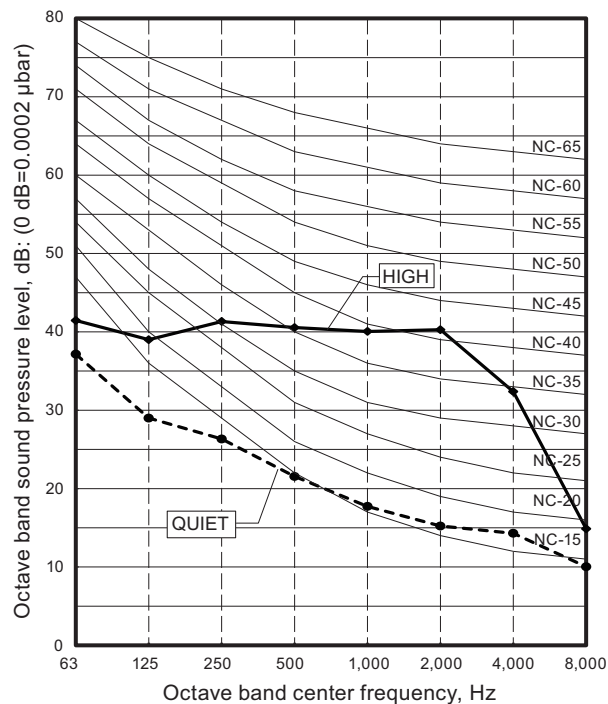


Models: ASYG14KMTA and ASYG14KMTB

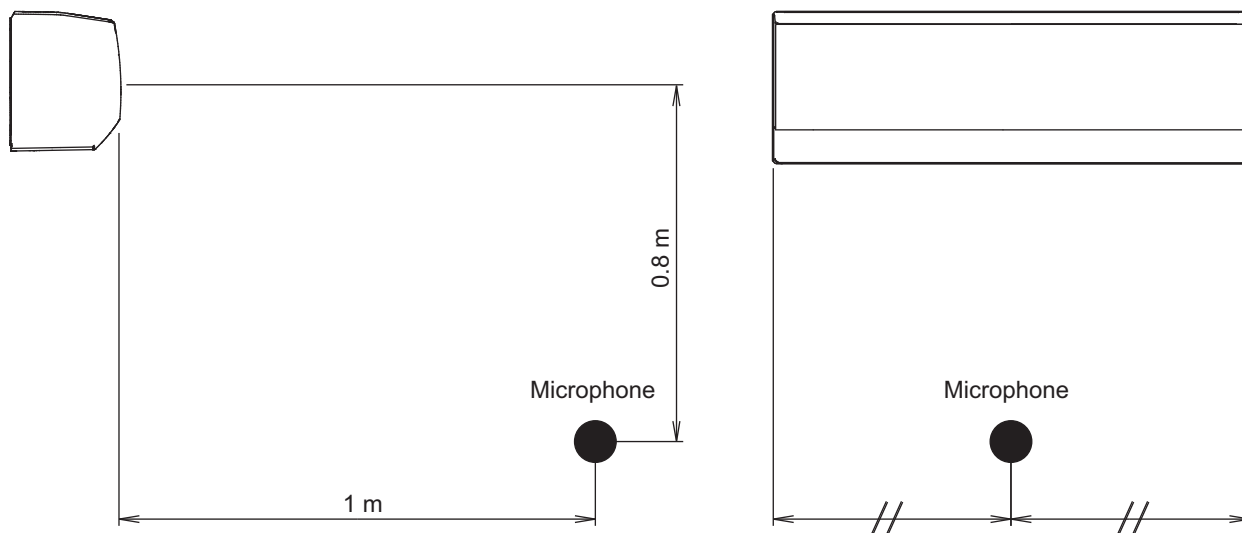
Cooling



Heating



6-2. Sound level check point



NOTE: Detailed shape of the actual indoor unit might be slightly different from the one illustrated above.

7. Safety devices

Type of protection	Protection form		Model		
			ASYG07KMTA ASYG07KMTB	ASYG09KMTA ASYG09KMTB	ASYG12KMTA ASYG12KMTB
Circuit protection	Current fuse (PCB*)		250 V, 3.15 A		
Fan motor protection	Thermistor protection	Activate	More than 85 °C Fan motor speed down		
		Reset	85 °C or less Fan motor speed recover		

Type of protection	Protection form		Model		
			ASYG14KMTA ASYG14KMTB		
Circuit protection	Current fuse (PCB*)		250 V, 3.15 A		
Fan motor protection	Power IC thermal shutdown protection	Activate	125±25 °C Fan motor stop		
		Reset	110 ⁺²⁵ ₋₂₀ °C Fan motor restart		

*PCB: Printed Circuit Board

8. External input and output

With using external input and output functions, this product can be operated inter-connectedly with an external device.

Connector	Input	Output	Remarks
CNA01	Control input	—	See external input/output settings for details.
CNB01	—	Operation status output	
CNB02	—	Error status output	

8-1. External input

With using external input function, some functions on this product can be controlled from an external device.

- “Operation/Stop” mode can be selected with function setting of indoor unit.
- A twisted pair cable (22AWG) should be used. Maximum length of cable is 150 m.
- The wire connection should be separate from the power cable line.

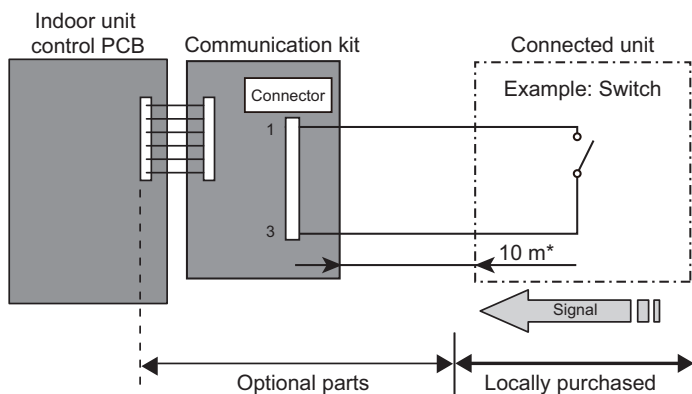
■ Control input (Operation/Stop or Forced stop)

The air conditioner can be remotely operated by means of the following on-site work.

Unit operation is started at the following contents by adding the contact input of a commercial on/off switch to a connector on the external control PCB and turning it on.

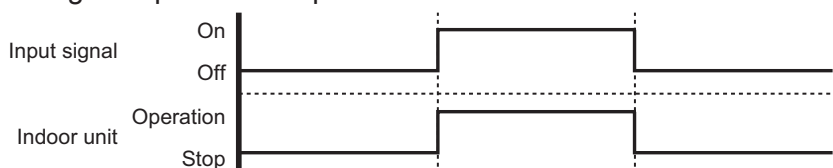
Unit operation	Initial setting after power is on	Starting mode other than initial setting
Operation mode	Auto changeover	Mode at previous operation
Set temperature	24 °C	Temperature at previous operation
Airflow mode	AUTO	Mode at previous operation
Air direction (swing)	Standard air direction (swing: off)	Air direction at previous operation

• **Circuit diagram example**

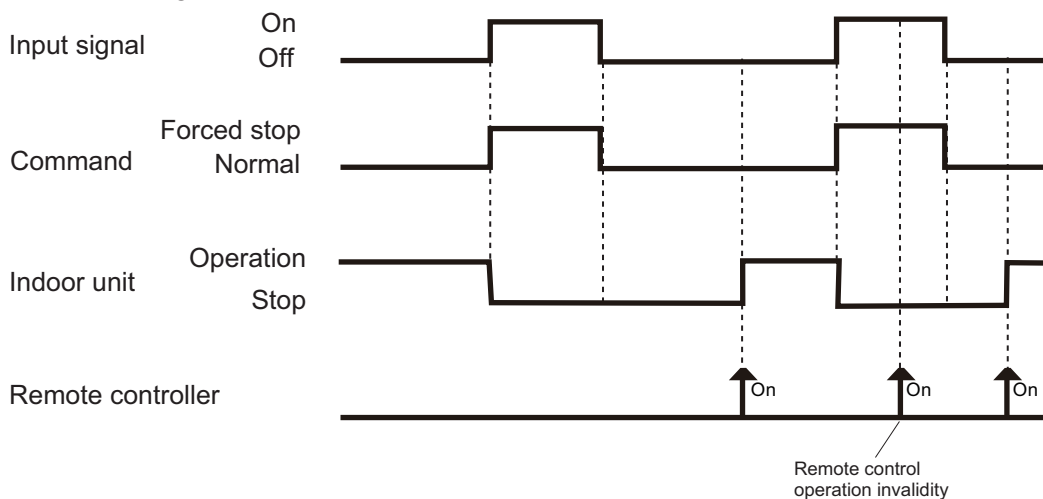


- Contact capacity: DC 24 V or more, 10 mA or more.
- *: Make the distance from the PCB to the connected unit within 10 m.
- Use non-polar relays and switches.

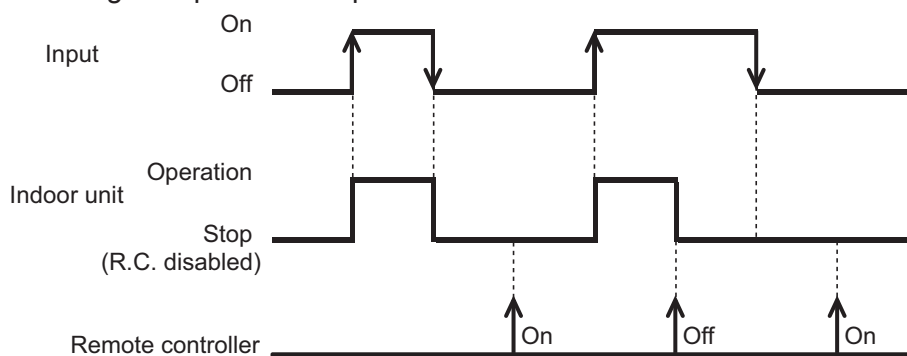
– When function setting is “Operation/Stop” mode



– When function setting is “Forced stop” mode

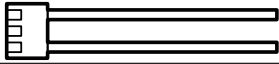



– When function setting is "Operation/Stop" mode 2



NOTE: When "Operation/Stop" mode 2 function is used with forming a remote controller group, connect the same equipment to each indoor unit within the group.

- Optional part

Part name	Model name	Exterior
External connect kit	UTY-XWZXZ5	External input wire 
Communication kit	UTY-TWBXF2	

* For operating the external function, the wall mounted type requires the communication kit in addition to the wire (UTY-XWZXZ5).

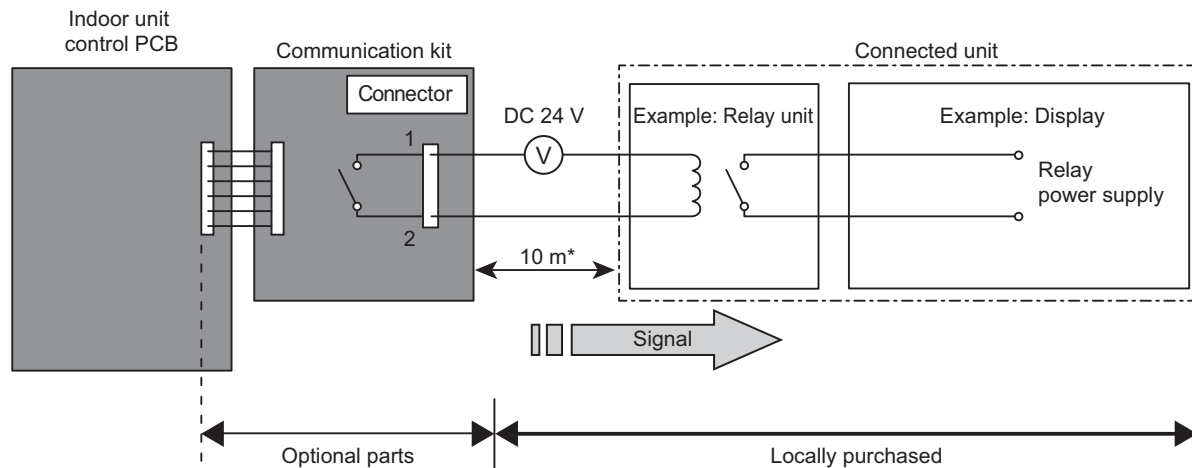
8-2. External output

With using external output function, operating status of this product can be transmitted to the external device, and also, this product can be inter-connected with the external device.

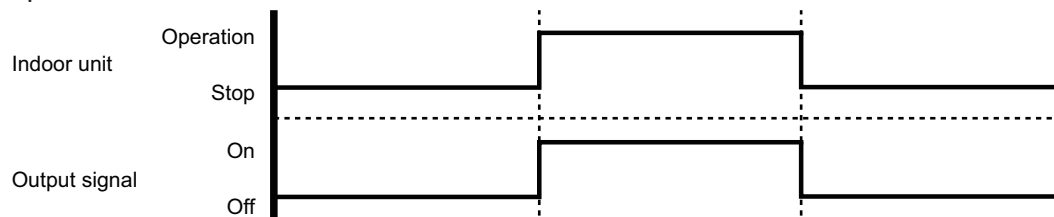
■ Operation status output

Air conditioner operation status signal can be output.



• **Circuit diagram example:**



- *: Make the distance from the PCB to the connected unit within 10 m.
- Relay spec: Max. DC 24 V, 10 mA to less than 500 mA.



• **Optional part:**

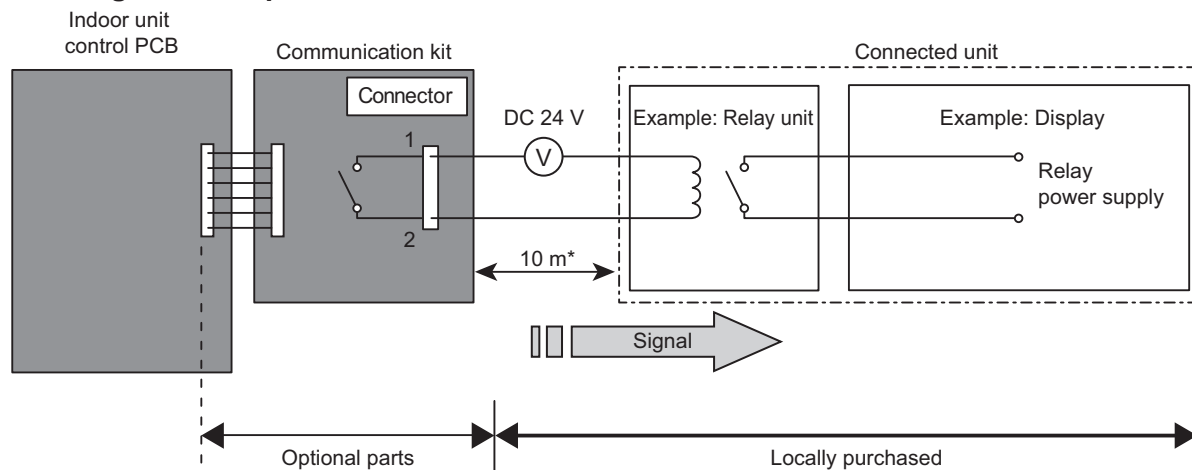
Part name	Model name	Exterior
External connect kit	UTY-XWZXZ5	External output wire 
Communication kit	UTY-TWBXF2	

* For operating the external function, the wall mounted type requires the communication kit in addition to the wire (UTY-XWZXZ5).

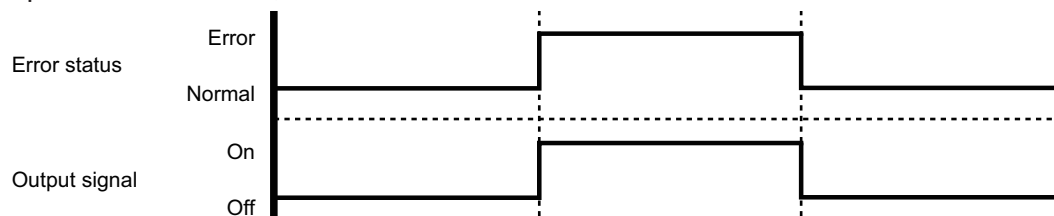
■ Error status output

Air conditioner error status signal can be output.



- **Circuit diagram example:**



- *: Make the distance from the PCB to the connected unit within 10 m.
- Relay spec: Max. DC 24 V, 10 mA to less than 500 mA.



- **Optional part:**

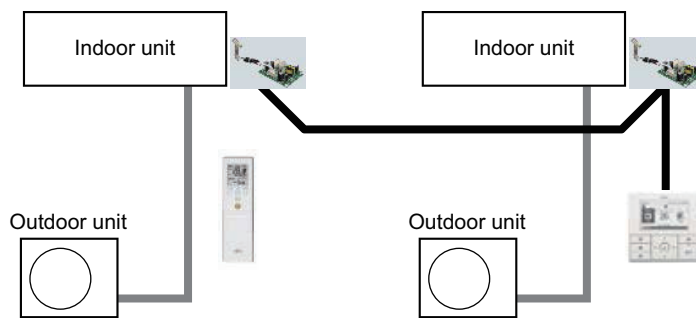
Part name	Model name	Exterior
External connect kit	UTY-XWZXZ5	External output wire 
Communication kit	UTY-TWBXF2	

* For operating the external function, the wall mounted type requires the communication kit in addition to the wire (UTY-XWZXZ5).

9. Group connection

Wiring regulation on the remote controllers in the multi split models are reviewed and allowed for group connection.

Example of group connection



*Exterior of each device shown above might be different from the actual one.

NOTES:

- Group connection is applicable for models that are produced in 2013 or later in following products:
 - KM/KG/LT/LU/LM/LF series in wall mounted type
 - Floor type
- Up to 16 indoor units can be controlled by using one wired remote controller.

9-1. Precautions on creating a group connection

Take precautions on items described in this section when creating a group connection.

- **Maximum wiring length of the remote controller cable:** 300 m
Even if the maximum wiring length of the product itself is specified as longer than 300 m, the maximum length of the remote controller cable will be 300 m if the system is group-connected.
When total wiring length is longer than 100 m, the cable diameter needs to be changed as follows:

Total wiring length of remote controller cable Unit: m	Cross section of cable Unit: mm ²
100 or less	0.3—0.8
100—200	0.5—0.8
200—300	0.8

- **Required parts for group connection**

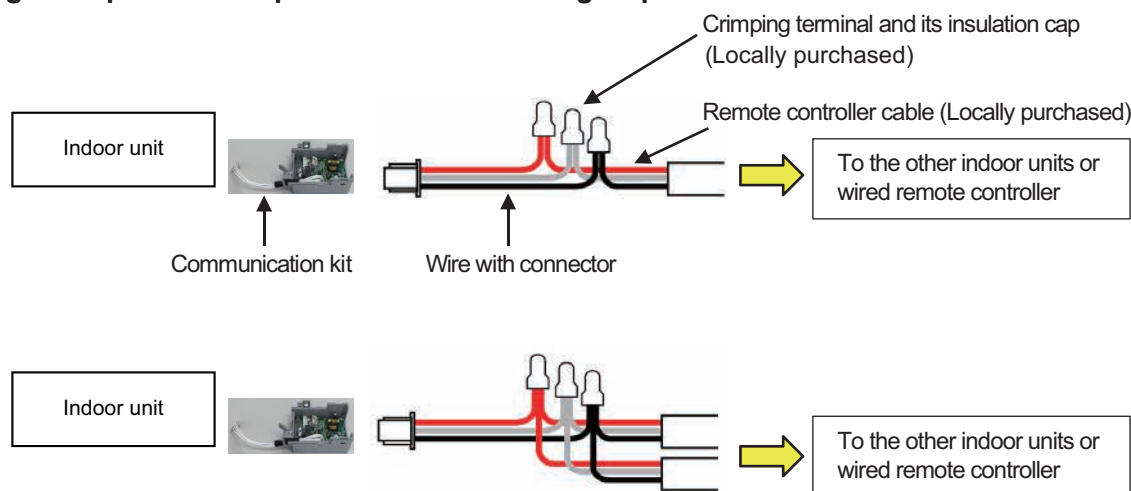
- Optional part:

Indoor unit type	Communication kit
Wall mounted	UTY-TWBXF
	UTY-XWZXZ5
	UTY-TWBXF2

As for the optional parts, refer to Chapter 13-2. "Others" on page 37.

- Service part: Wire with connector (Service part no. 9705932012)

Wiring example for multiple remote control or group control:



NOTES:

- Conceal the wirings of the group connection inside of the wall or by means of trunking at the thickness of 1-mm or more to prevent electrical shocks when getting in touch with the cables under certain circumstances.
- When using the Communication kit for wall mounted type, store the crimping terminals inside the Communication kit.
- In the wireless remote controllers for the group connection, its remote controller address can be set by its own. For the details, refer to following section "Remote controller address setting procedure for wireless remote controllers".
An error is displayed immediately just turning on the power to effect the settings of the group connection. However the error will automatically disappear when the subsequent function setting is completed.
- Bundle the wires with a cable tie to prevent external pressures apply on the crimping terminals. (Ensure that the tensile strength for the splicing position is 10 N or above.)

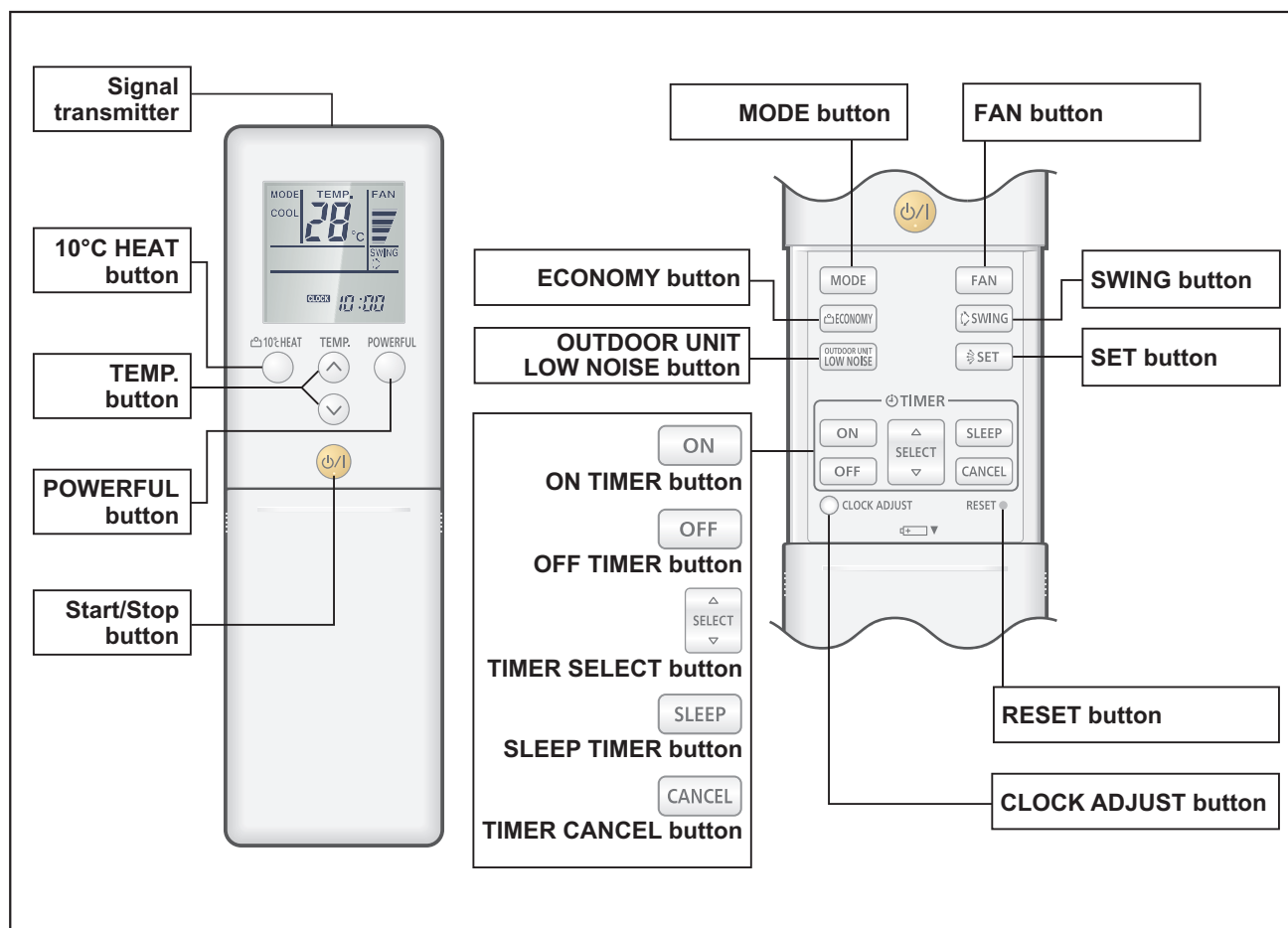
9-2. Remote controller address setting procedure for wireless remote controllers

1. Enter the function setting mode of the wireless remote controller. For details, refer to "Function settings" on page 29.
2. Select the function number "00" (Remote controller address setting), and then select any of the number (Setting value) from 00 to 15. (Factory setting: 00)

10. Remote controller

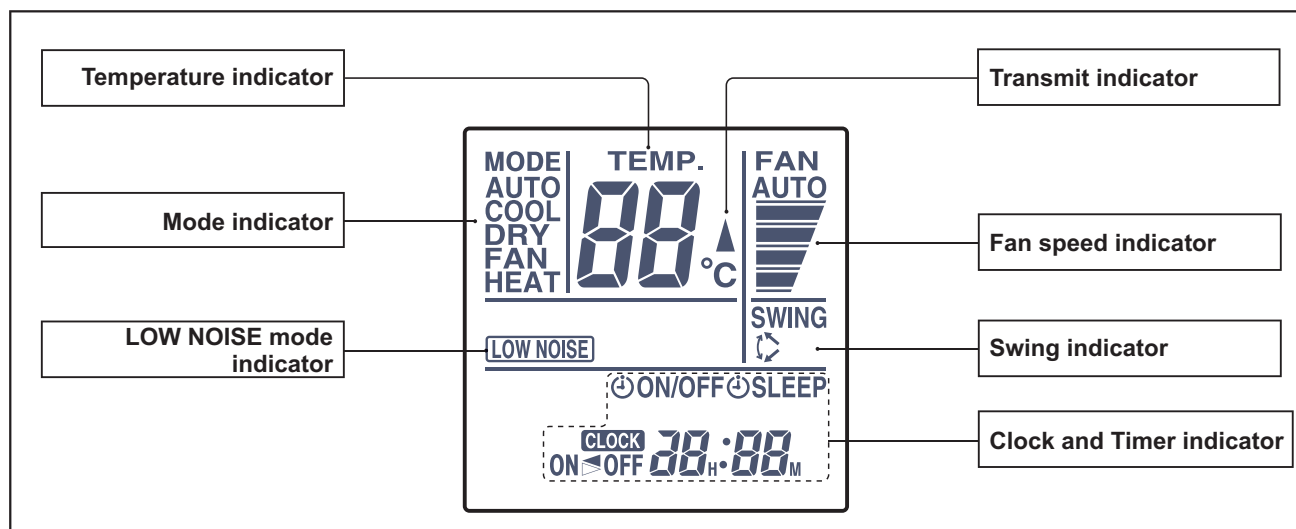
10-1. Wireless remote controller

Overview



NOTE: Functions may differ by type of the indoor unit. For details, refer to the operation manual.

Display panel

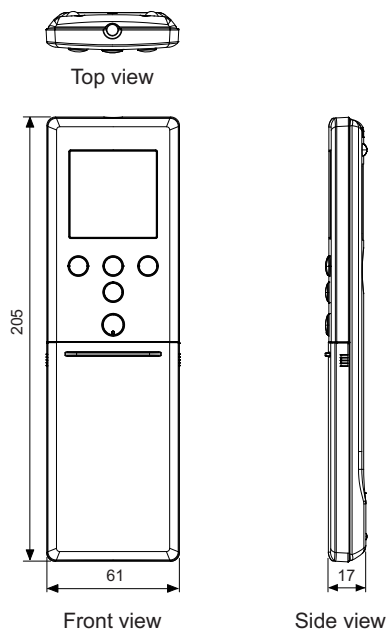


To facilitate explanation, the accompanying illustration has been drawn to show all possible indicators; in actual operation, however, the display will only show those indicators appropriate to the current operation.

■ Specifications

● Controller

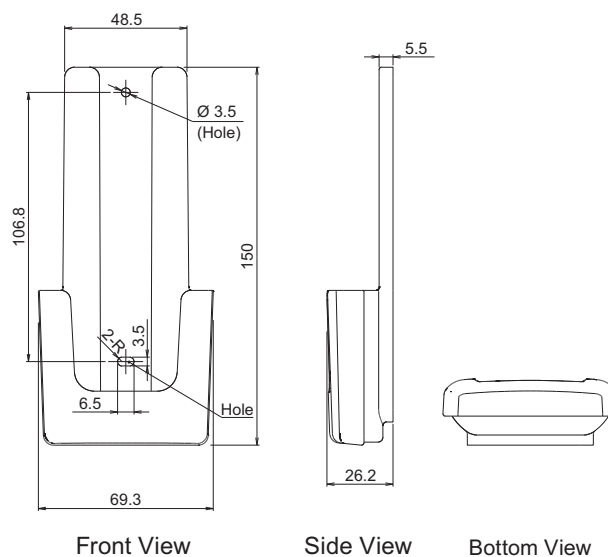
Unit: mm



Size (H × W × D)	mm	205 × 61 × 17
Weight	g	124 (without batteries)

● Holder

Unit: mm



Size (H × W × D)	mm	150 × 69.3 × 26.2
Weight	g	27

11. Function settings

To adjust the functions of this product according to the installation environment, various types of function settings are available.

NOTE: Incorrect settings can cause a product malfunction.

11-1. Function settings by using remote controller

Some function settings can be changed on the remote controller. After confirming the setting procedure and the content of each function setting, select appropriate functions for your installation environment.

■ Setting procedure by using wireless remote controller

The function number and the associated setting value are displayed on the LCD of the remote controller. Follow the instructions written in the local setup procedure supplied with the remote controller, and select appropriate setting according to the installation environment.

Before connecting the power supply of the indoor unit, reconfirm following items:

- Piping air tight test and vacuuming have been performed firmly.
- There is no wiring mistake.

Then, connect the power supply of the indoor unit.

Entering function setting mode:

While pressing the POWERFUL button and TEMP. (∧) button simultaneously, press the RESET button to enter the function setting mode.

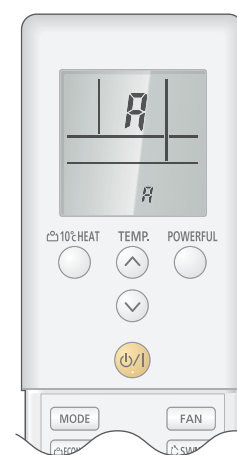
STEP 1: Setting the remote controller custom code

Use the following steps to select the custom code of the remote controller. (Note that the air conditioner cannot receive a custom code if the air conditioner has not been set for the custom code.)

The custom codes that are set through this process are applicable only to the signal in the function setting.

For details on how to set the custom codes through the normal process, refer to ["Custom code setting for wireless remote controller"](#) on page 35.

1. Press the TEMP. (∧) (∨) buttons to change the custom code between $\overline{A} \rightarrow \overline{b} \rightarrow \overline{c} \rightarrow \overline{d}$. Match the code on the display to the air conditioner custom code. (Initially set to \overline{A} .) If the custom code does not need to be selected, press the 10 °C HEAT button, and proceed to **STEP 2**.
2. Press the MODE button and check that the indoor unit can receive signals at the displayed custom code.
3. Press the 10 °C HEAT button to accept the custom code, and proceed to **STEP 2**.
4. After completing the function setting, be sure to disconnect the power supply and then reconnect it.



NOTES:

- The air conditioner custom code is set to \overline{A} prior to shipment.
- The remote controller resets to custom code \overline{A} when the batteries on the remote controller are replaced. If you use a custom code other than code \overline{A} , reset the custom code after replacing the batteries.
- If you do not know the air conditioner custom code setting, try each of the custom codes ($\overline{A} \rightarrow \overline{b}$ $\rightarrow \overline{c} \rightarrow \overline{d}$) until you find the code that operates the air conditioner.

STEP 2: Selecting the function number and setting value

1. Press the TEMP. (\wedge) (\vee) buttons to select the function number. To switch between the left and right digits, press the 10 °C HEAT button.
2. Press the POWERFUL button to proceed the setting value. To return the function number selection, press the POWERFUL button again.
3. Press the TEMP. (\wedge) (\vee) buttons to select the setting value. To switch between the left and right digits, press the 10 °C HEAT button.
4. Press the MODE button, and START/STOP button, in the order listed to confirm the settings.
5. Press the RESET button to cancel the function setting mode.
6. After completing the function setting, be sure to disconnect the power supply and then reconnect it.

**⚠ CAUTION**

After disconnecting the power supply, wait 30 seconds or more before reconnecting it. The function setting will not become active unless the power supply is disconnected and then reconnected.

■ Contents of function setting

Each function setting listed in this section is adjustable in accordance with the installation environment.

NOTE: Setting will not be changed if invalid numbers or setting values are selected.

● Function setting list

	Function no.	Functions
1)	00	Remote controller address setting
2)	11	Filter sign
3)	30/31	Room temperature control for indoor unit sensor
4)	35/36	Room temperature control for wired remote controller sensor
5)	40	Auto restart
6)	42	Room temperature sensor switching
7)	44	Remote controller custom code
8)	46	External input control
9)	48	Room temperature sensor switching (Aux.)
10)	49	Indoor unit fan control for energy saving for cooling

1) Remote controller address setting

NOTE: This setting is configurable only by wireless remote controller, but not configurable by Polar 3-wired remote controller.

Multiple indoor units can be operated by using one wired remote controller.

Set the unit number of each indoor unit.

Function number	Setting value	Setting description	Factory setting
00	00	Unit no. 0	◆
	01	Unit no. 1	
	02	Unit no. 2	
	03	Unit no. 3	
	04	Unit no. 4	
	05	Unit no. 5	
	06	Unit no. 6	
	07	Unit no. 7	
	08	Unit no. 8	
	09	Unit no. 9	
	10	Unit no. 10	
	11	Unit no. 11	
	12	Unit no. 12	
	13	Unit no. 13	
	14	Unit no. 14	
	15	Unit no. 15	

NOTES:

- When connecting Polar 3-wired remote controller, set the remote controller address in the order of 0, 1, 2,, and 15.
- When different type of indoor units (such as wall mounted type and cassette type, cassette type and duct type, or other combinations) are connected using group control system, some functions may no longer be available.

2) Filter sign

Select appropriate intervals for displaying the filter sign on the indoor unit according to the estimated amount of dust in the air of the room.

If the indication is not required, select "No indication" (03).

Function number	Setting value	Setting description	Factory setting
11	00	Standard (400 hours)	
	01	Long interval (1,000 hours)	
	02	Short interval (200 hours)	
	03	No indication	◆

3) Room temperature control for indoor unit sensor

Depending on the installed environment, correction of the room temperature sensor may be required. Select the appropriate control setting according to the installed environment.

The temperature of the room temperature sensor is corrected as follows:

Corrected temp. = Temp. of the room temp. sensor - Correction temp. value

Example of correction:

When the temperature of the room temp. sensor is 26°C and the setting value is "03" (-1.0°C), corrected temp. will be 27°C (26°C - [-1.0°C]).

The temperature correction values show the difference from the Standard setting "00" (manufacturer's recommended value).

Function number		Setting value	Setting description	Factory setting	
30 (For cooling)	31 (For heating)	00	Standard setting	◆	
		01	No correction 0.0 °C		
		02	-0.5 °C	More cooling Less heating	
		03	-1.0 °C		
		04	-1.5 °C		
		05	-2.0 °C		
		06	-2.5 °C		
		07	-3.0 °C		
		08	-3.5 °C		
		09	-4.0 °C		
		10	+0.5 °C	Less cooling More heating	
		11	+1.0 °C		
		12	+1.5 °C		
		13	+2.0 °C		
		14	+2.5 °C		
		15	+3.0 °C		
		16	+3.5 °C		
17	+4.0 °C				

4) Room temperature control for wired remote controller sensor

Depending on the installed environment, correction of the wire remote temperature sensor may be required. Select the appropriate control setting according to the installed environment.

To change this setting, set Function 42 to Both "01".

Ensure that the Thermo Sensor icon is displayed on the remote controller screen.

Function number		Setting value	Setting description	Factory setting	
35 (For cooling)	36 (For heating)	00	Standard setting	◆	
		01	No correction 0.0°C		
		02	-0.5 °C	More cooling Less heating	
		03	-1.0 °C		
		04	-1.5 °C		
		05	-2.0 °C		
		06	-2.5 °C		
		07	-3.0 °C		
		08	-3.5 °C		
		09	-4.0 °C		
		10	+0.5 °C	Less cooling More heating	
		11	+1.0 °C		
		12	+1.5 °C		
		13	+2.0 °C		
		14	+2.5 °C		
		15	+3.0 °C		
		16	+3.5 °C		
17	+4.0 °C				

5) Auto restart

Enables or disables automatic restart after a power interruption.

Function number	Setting value	Setting description	Factory setting
40	00	Enable	◆
	01	Disable	

NOTE: Auto restart is an emergency function such as for power outage etc. Do not attempt to use this function in normal operation. Be sure to operate the unit by remote controller or external device.

6) Room temperature sensor switching

When using the wired remote controller temperature sensor, change the setting to "Both" (01).

Function number	Setting value	Setting description	Factory setting
42	00	Indoor unit	◆
	01	Both	

00: Sensor on the indoor unit is active.

01: Sensors on both indoor unit and wired remote controller are active.

NOTE: Remote controller sensor must be turned on by using the remote controller.

7) Remote controller custom code

(Only for wireless remote controller)

The indoor unit custom code can be changed. Select the appropriate custom code.

Function number	Setting value	Setting description	Factory setting
44	00	A	◆
	01	B	
	02	C	
	03	D	

8) External input control

"Operation/Stop" mode or "Forced stop" mode can be selected.

Function number	Setting value	Setting description	Factory setting
46	00	Operation/Stop mode 1	◆
	01	(Setting prohibited)	
	02	Forced stop mode	
	03	Operation/Stop mode 2	

9) Room temperature sensor switching (Aux.)

To use the temperature sensor on the wired remote controller only, change the setting to "Wired remote controller" (01).

This function will only work if the function setting 42 is set at "Both" (01).

When the setting value is set to "Both" (00), more suitable control of the room temperature is possible by setting function setting 30 and 31 too.

Function number	Setting value	Setting description	Factory setting
48	00	Both	◆
	01	Wired remote controller	

10) Indoor unit fan control for energy saving for cooling

Enables or disables the power-saving function by controlling the indoor unit fan rotation when the outdoor unit is stopped during cooling operation.

Function number	Setting value	Setting description	Factory setting
49	00	Disable	
	01	Enable	
	02	Remote controller	

00: When the outdoor unit is stopped, the indoor unit fan operates continuously following the setting on the remote controller.

01: When the outdoor unit is stopped, the indoor unit fan operates intermittently at a very low speed.

02: Enable or disable this function by remote controller setting.

NOTES:

- As the factory setting, this setting is initially activated.
- Set to "00" or "01" when connecting a remote controller that cannot set the Fan control for energy saving function or connecting a network converter.
To confirm if the remote controller has this setting, refer to the operating manual of each remote controller.

11-2. Custom code setting for wireless remote controller

To interconnect the air conditioner and the wireless remote controller, assignment of the custom code for the wireless remote controller is required.

NOTE: Air conditioner cannot receive a signal if the air conditioner has not been set for the custom code.

When 2 or more air conditioners are installed in a room, and the remote controller is operating an air conditioner other than the one you wish to set, change the custom code of the remote controller to operate only the air conditioner you wish to set. (4 selections possible.)

Confirm the setting of the remote controller custom code and the function setting. If these do not match, the remote controller cannot be used to operate for the air conditioner.

1. Press the START/STOP button until only the clock is displayed on the remote controller display.
2. Press the MODE button for at least 5 seconds to display the current custom code. (Initially set to H .)
3. Press the TEMP. (\wedge) (\vee) buttons to change the custom code between $\text{H} \rightarrow \text{b} \rightarrow \text{c} \rightarrow \text{d}$. Match the code on the display to the air conditioner custom code. (Initially set to H .)
4. Press the MODE button again to return to the clock display. The custom code will be changed.



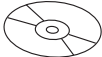




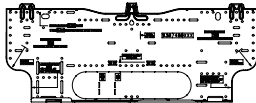



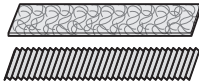


NOTES:

- If no button is pressed within 30 seconds after the custom code is displayed, the system returns to the original clock indicator. In this case, start again from step 1.
- The air conditioner custom code is set to H prior to shipment. To change the custom code, contact your retailer.
- If you do not know the assigned code for the air conditioner, try each of the custom code ($\text{H} \rightarrow \text{b} \rightarrow \text{c} \rightarrow \text{d}$) until you find the code which operates the air conditioner.

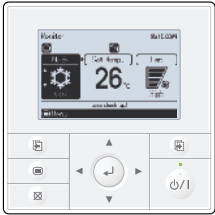
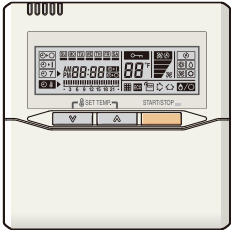

12. Accessories

12-1. Models: ASYG07KMTA, ASYG07KMTB, ASYG09KMTA, ASYG09KMTB, ASYG12KMTA, ASYG12KMTB, ASYG14KMTA, and ASYG14KMTB

Part name	Exterior	Q'ty	Part name	Exterior	Q'ty
Operating manual		1	Cloth tape		1
Operating manual (CD-ROM)		1	Tapping screw (large)		5
Installation manual		1	Tapping screw (small)		2
Remote controller		1	Wall hook bracket		1
Battery		2	Filter holder		2
Remote controller holder		1	Air cleaning filters		1

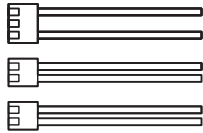


13. Optional parts

13-1. Controllers

Exterior	Part name	Model name	Summary
	Wired remote controller	UTY-RVNYM	Large and full-dot liquid crystal screen, wide and large keys easy to press, user-intuitive arrow key. Wire type: Polar 3-wire Optional communication kit is necessary for installation.
	Wired remote controller	UTY-RNNYM	Room temperature can be controlled by detecting the temperature accurately with built-in thermo sensor. Wire type: Polar 3-wire Optional communication kit is necessary for installation.
	Simple remote controller	UTY-RSNYM	Compact remote controller concentrates on the basic functions such as Start/Stop, fan control, temperature setting, and operation mode. Wire type: Polar 3-wire Optional communication kit is necessary for installation.

NOTE: Available functions may differ by the remote controller. For details, refer to the operation manual.

13-2. Others

Exterior	Part name	Model name	Summary
	External connect kit	UTY-XWZXZ5	Required when external device is connected.
	Communication kit	UTY-TWBXF2	Use to connect with optional devices and air conditioner PCB. Optional External connect kit is necessary for installation.
	Wireless LAN adapter	UTY-TFSXW1	Remotely manage an air conditioning system using mobile devices such as smartphones and tablets.

Part 2. OUTDOOR UNIT

SINGLE TYPE:

AOYG07KMTA

AOYG09KMTA

AOYG12KMTA

AOYG14KMTA

1. Specifications

Type			Inverter heat pump			
Model name			AOYG07KMTA	AOYG09KMTA	AOYG12KMTA	AOYG14KMTA
Power supply			230 V ~ 50 Hz			
Available voltage range			198—264 V			
Starting current			A			
Fan	Airflow rate	Cooling	3.0	3.4	5.1	6.8
		Heating	1,650	1,650	1,700	1,680
	Type × Q'ty		1,450	1,450	1,470	1,580
		Motor output	W			
Sound pressure level *1			dB (A)			
Sound power level			dB (A)			
Heat exchanger type			mm			
Dimensions (H × W × D)			504 × 650 × 18.2		504 × 630 × 36.4	504 × 881 × 36.4
Fin pitch			1.3			
Rows × Stages			1 × 24		2 × 24	
Pipe type			Copper			
Fin type			Type (Material) Corrugate (Aluminum)			
			Surface treatment Corrosion resistance			
Compressor			DC rotary × 1			
Type × Q'ty			W			
Motor output			550		900	
Refrigerant			Type (Global warming potential) R32 (675)			
Charge			600		700	
Refrigerant oil			Type RB74AF			
Amount			240		RB68A	
Enclosure			Material Steel sheet			
			Color Beige			
			Approximate color of Munsell 10YR 7.5/1.0			
Dimensions (H × W × D)			Net		541 × 663 × 290	
			Gross		602 × 804 × 375	
Weight			Net		23	
			Gross		26	
Connection pipe			Size			
			Liquid		Ø 6.35 (Ø 1/4)	
			Gas		Ø 9.52 (Ø 3/8)	
			Method Flare			
			Pre-charge length 15			
			Max. length 20			
			Max. height difference 15			
Operation range			Cooling			
			Heating			
			°C			
Drain hose			Material PP			
			Tip diameter mm			
			Ø 13.0 (I. D.), Ø 16.0 to Ø 16.8 (O. D.)			
NOTES:						
<ul style="list-style-type: none"> Specifications are based on the following conditions: <ul style="list-style-type: none"> Cooling: Indoor temperature of 27 °CDB/19 °CWB, and outdoor temperature of 35 °CDB/24 °CWB. Heating: Indoor temperature of 20 °CDB/15 °CWB, and outdoor temperature of 7 °CDB/6 °CWB. Pipe length: 5 m, Height difference: 0 m. Protective function might work when using it outside the operation range. *1: Sound pressure level <ul style="list-style-type: none"> Measured values in manufacturer's anechoic chamber. Because of the surrounding sound environment, the sound levels measured in actual installation conditions might be higher than the specified values here. 						

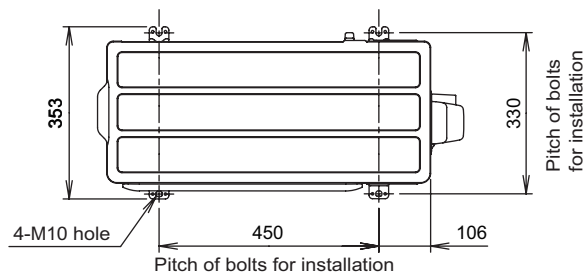
2. Dimensions

2-1. Models: AOYG07KMTA, AOYG09KMTA, and AOYG12KMTA

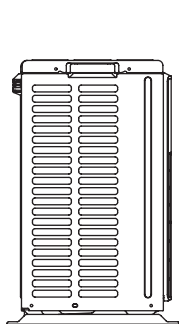
Unit: mm

OUTDOOR UNIT
AOYG07-14KMTA

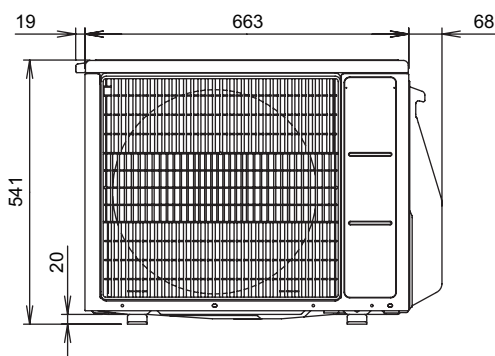
OUTDOOR UNIT
AOYG07-14KMTA



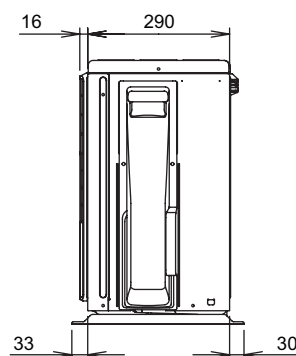
Top view



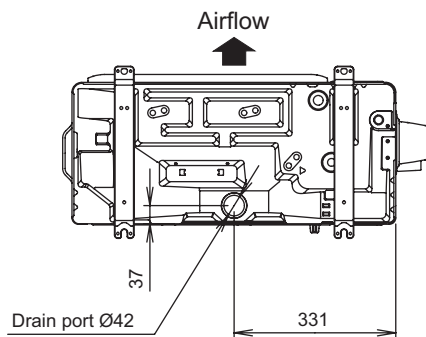
Side view



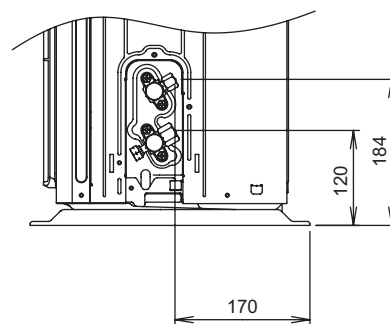
Front view



Side view



Bottom view



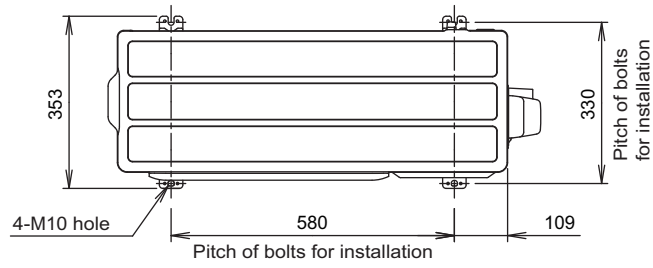
Side view (Valve part)

2-2. Model: AOYG14KMTA

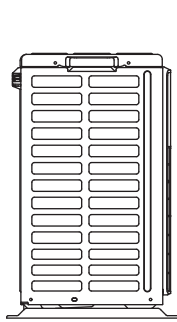
Unit: mm

OUTDOOR UNIT
AOYG07-14KMTA

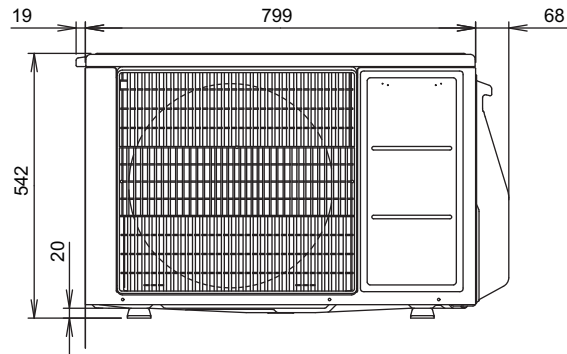
OUTDOOR UNIT
AOYG07-14KMTA



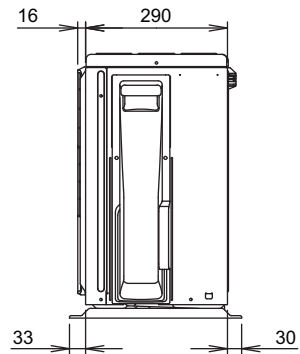
Top view



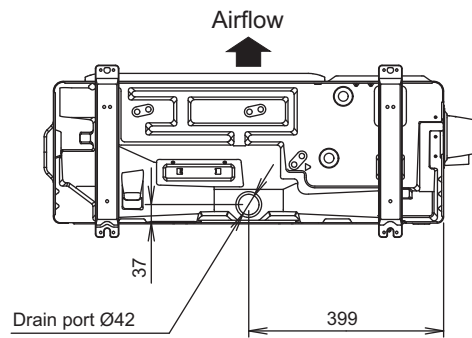
Side view



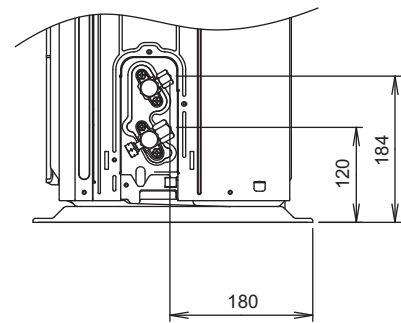
Front view



Side view



Bottom view



Side view (Valve part)

3. Installation space

3-1. Models: AOYG07KMTA, AOYG09KMTA, AOYG12KMTA, and AOYG14KMTA

■ Space requirement

Provide sufficient installation space for product safety.

⚠ CAUTION

Keep the space shown in the installation examples.

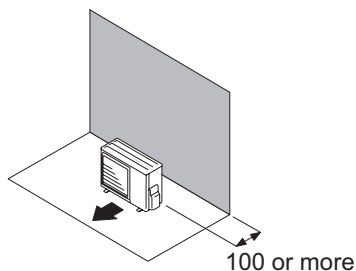
If the installation is not performed accordingly, it could cause a short circuit and result in a lack of operating performance.

● Single outdoor unit installation

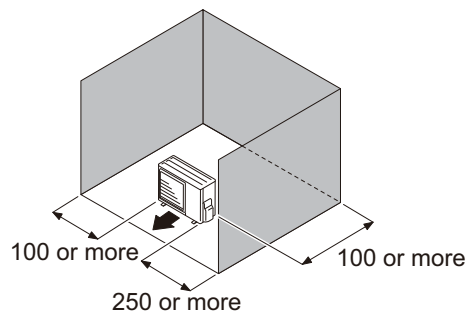
- When the upper space is open:

Unit: mm

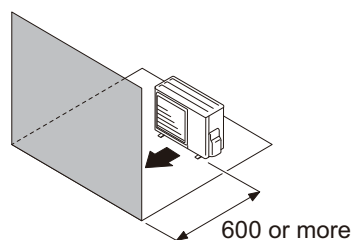
Obstacles at rear only



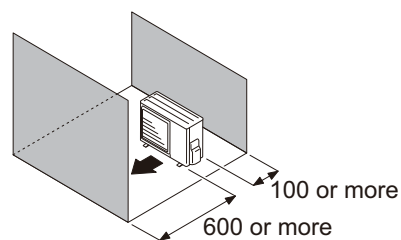
Obstacles at rear and sides



Obstacles at front



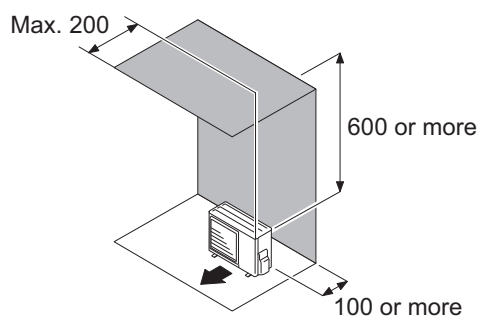
Obstacles at front and rear



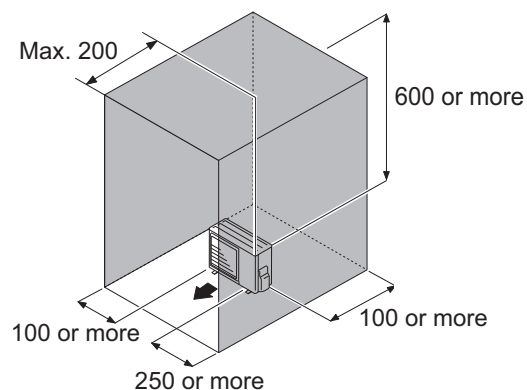
- When an obstruction in the upper space:

Unit: mm

Obstacles at rear and above



Obstacles at rear, sides, and above

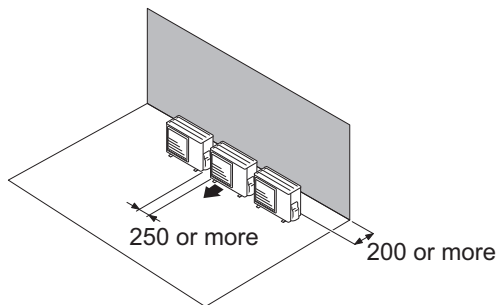


● Multiple outdoor unit installation

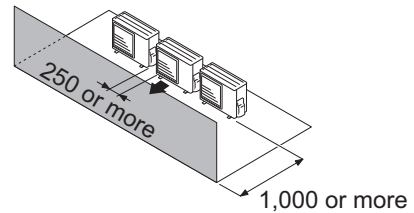
- Provide at least 250 mm of space between the outdoor units if multiple units are installed.
- When routing the piping from the side of an outdoor unit, provide space for piping.
- No more than 3 units must be installed side by side.
When 3 units or more are arranged in a line, provide the space as shown in the following example **“When an obstruction in the upper space:”**.
- **When the upper space is open:**

Unit: mm

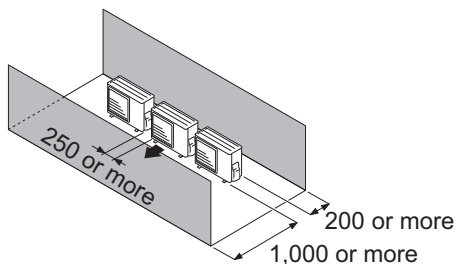
Obstacles at rear only



Obstacles at front only



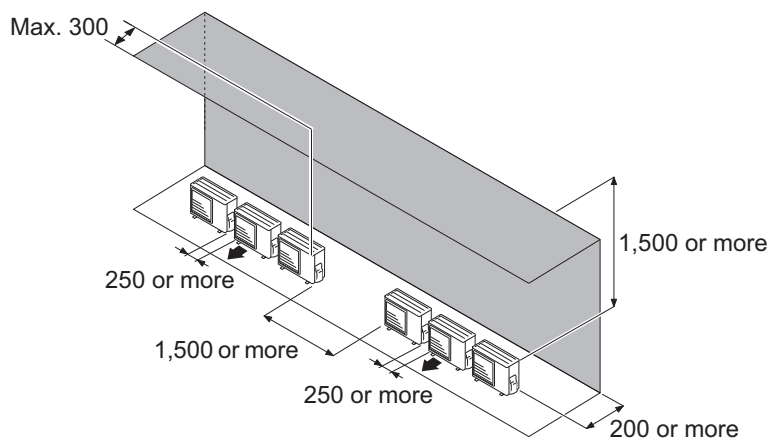
Obstacles at front and rear



- **When an obstruction in the upper space:**

Unit: mm

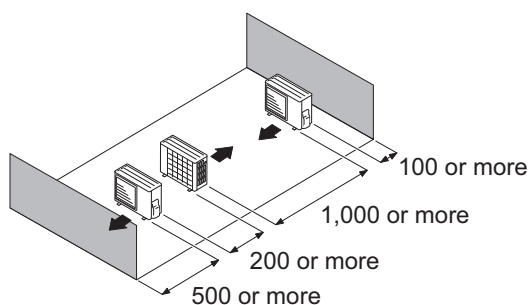
Obstacles at rear and above.



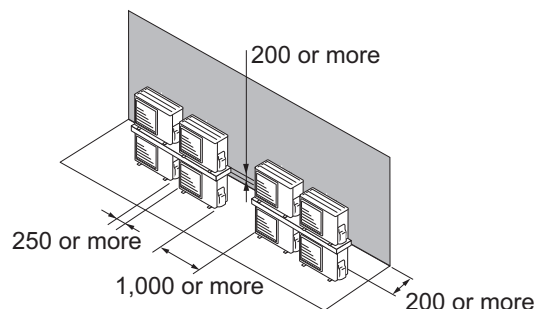
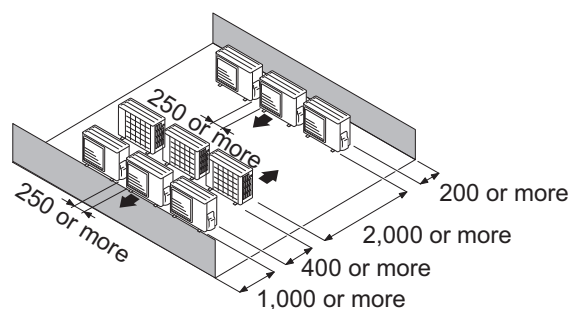
● Outdoor units installation in multi-row

Unit: mm

Single parallel unit arrangement



Multiple parallel unit arrangement

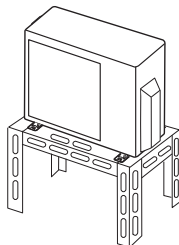


NOTES:

- If the space is larger than stated above, the condition will be the same as when there is no obstacle.
- When installing the outdoor unit, be sure to open the front and left side to obtain better operation efficiency.

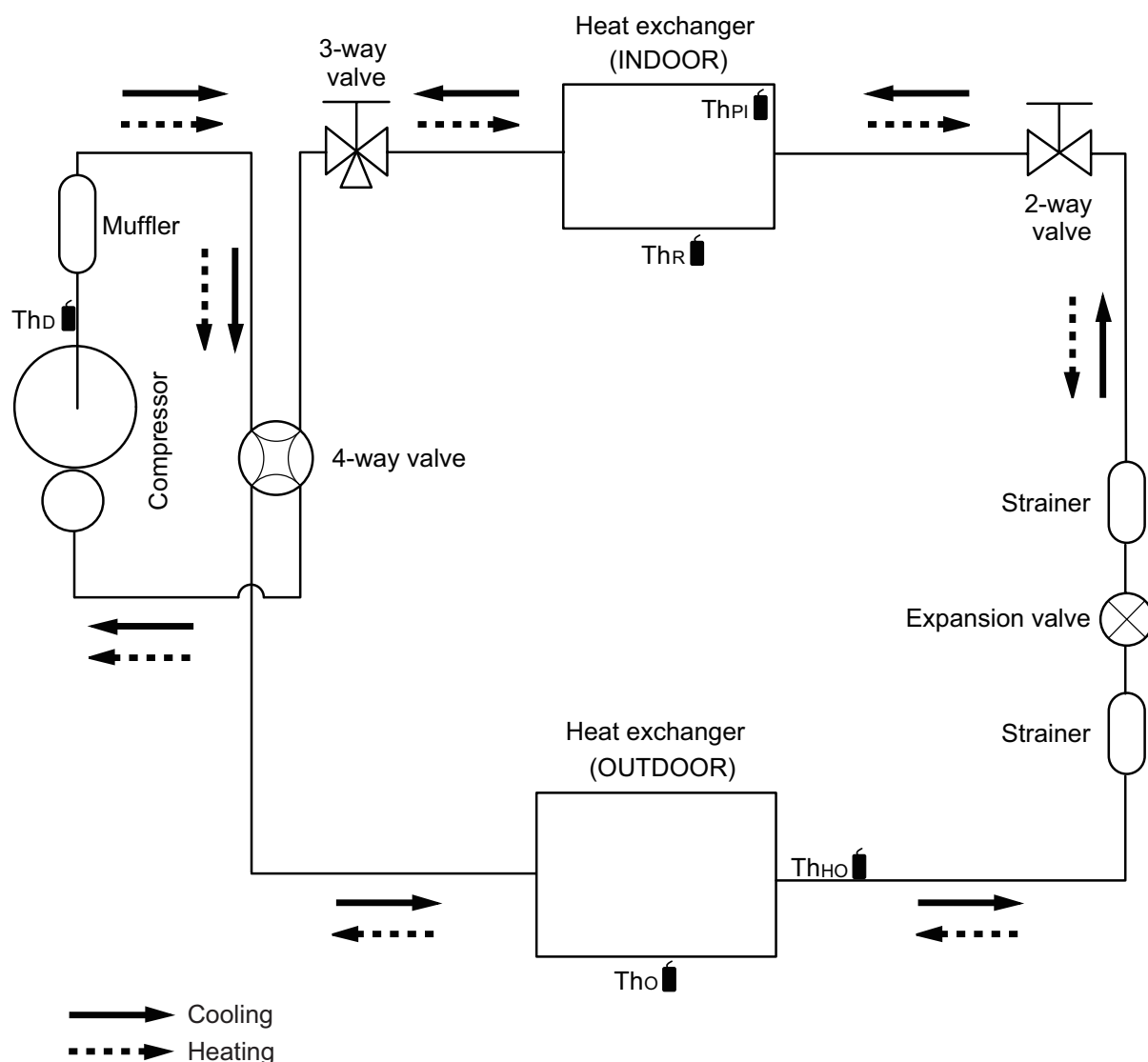
⚠ CAUTION

- Do not install the outdoor unit in two-stage where the drain water could freeze. Otherwise the drainage from the upper unit may form ice and cause a malfunction of the lower unit.
- When the outdoor temperature is 0 °C or less, do not use the accessory drain pipe and drain cap. If the drain pipe and drain cap are used, the drain water in the pipe may freeze in extremely cold climate. (For reverse cycle model only.)
- In area with heavy snowfall, if the inlet and outlet of the outdoor unit is blocked with snow, it might become difficult to get warm, and it is likely to cause product malfunction. Construct a canopy and a pedestal, or place the unit on a high stand that is locally installed.



4. Refrigerant circuit

4-1. Models: AOYG07KMTA, AOYG09KMTA, and AOYG12KMTA



Th_D : Thermistor (Discharge temperature)

Th_O : Thermistor (Outdoor temperature)

Th_{HO} : Thermistor (Heat exchanger out temperature)

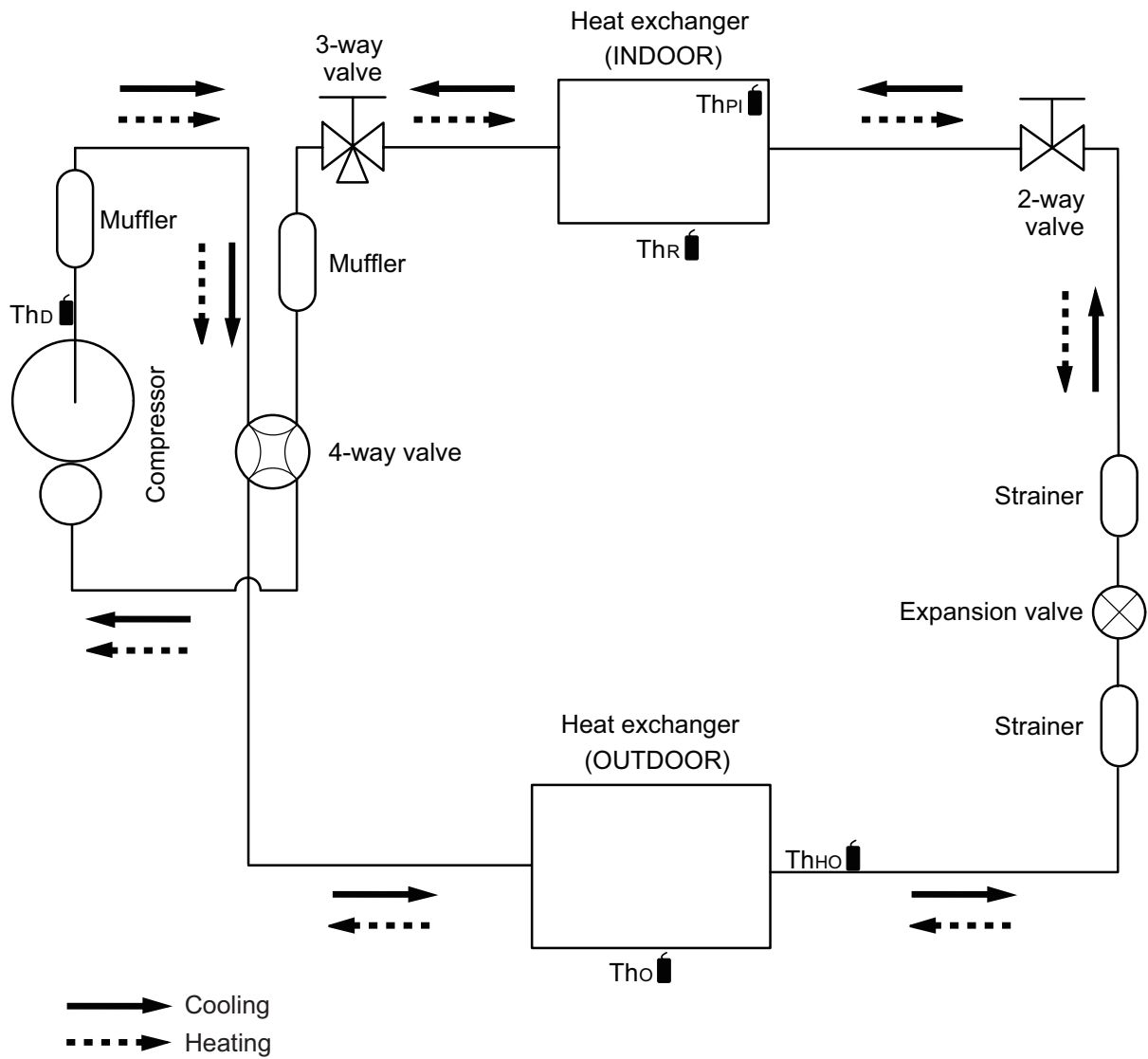
Th_R : Thermistor (Room temperature)

Th_{PI} : Thermistor (Pipe temperature)

4-2. Model: AOYG14KMTA

OUTDOOR UNIT
AOYG07-14KMTA

OUTDOOR UNIT
AOYG07-14KMTA



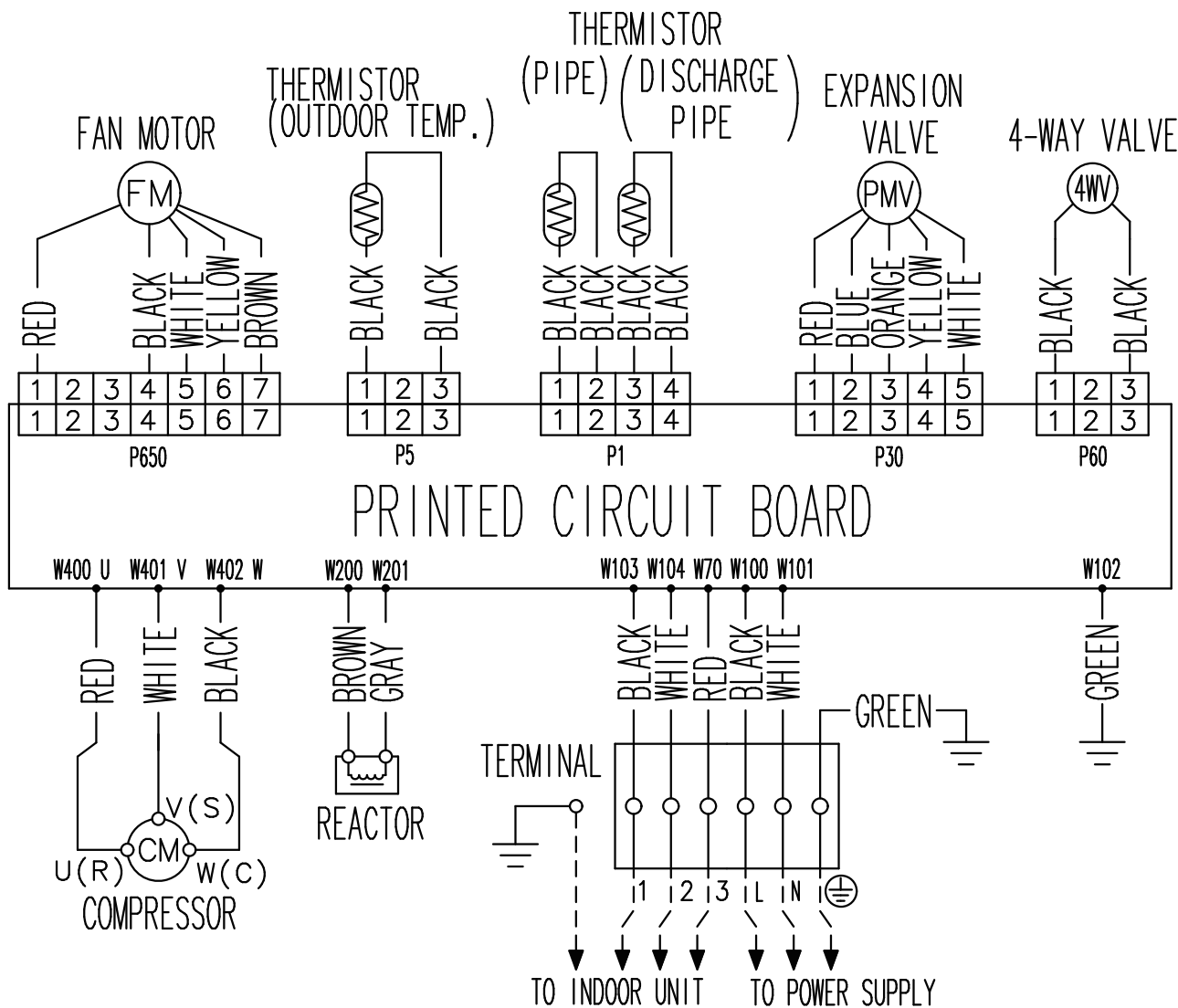
- ThD : Thermistor (Discharge temperature)
- ThO : Thermistor (Outdoor temperature)
- ThHO : Thermistor (Heat exchanger out temperature)
- ThR : Thermistor (Room temperature)
- ThPI : Thermistor (Pipe temperature)

5. Wiring diagrams

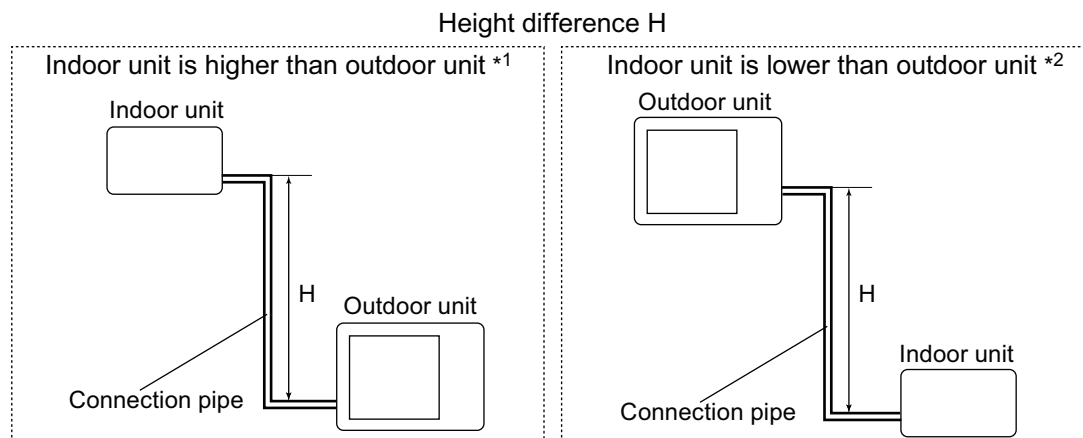
5-1. Models: AOYG07KMTA, AOYG09KMTA, AOYG12KMTA, and AOYG14KMTA

OUTDOOR UNIT
AOYG07-14KMTA

OUTDOOR UNIT
AOYG07-14KMTA



6. Capacity compensation rate for pipe length and height difference



6-1. Models: AOYG07KMTA and AOYG09KMTA

NOTE: Values mentioned in the table are calculated based on the maximum capacity.

COOLING			Pipe length (m)				
			5	7.5	10	15	20
Height difference H (m)	Indoor unit is higher than outdoor unit *1	15	—	—	—	0.872	0.910
		10	—	—	0.961	0.886	0.925
		7.5	—	0.979	0.965	0.890	0.929
		5	0.992	0.983	0.969	0.893	0.933
	Indoor unit is lower than outdoor unit *2	0	1.000	0.991	0.976	0.901	0.940
		-5	1.000	0.991	0.976	0.901	0.940
		-7.5	—	0.991	0.976	0.901	0.940
		-10	—	—	0.976	0.901	0.940
		-15	—	—	—	0.901	0.940

HEATING			Pipe length (m)				
			5	7.5	10	15	20
Height difference H (m)	Indoor unit is higher than outdoor unit *1	15	—	—	—	0.832	0.822
		10	—	—	0.917	0.832	0.822
		7.5	—	0.961	0.917	0.832	0.822
		5	1.000	0.961	0.917	0.832	0.822
	Indoor unit is lower than outdoor unit *2	0	1.000	0.961	0.917	0.832	0.822
		-5	0.955	0.956	0.912	0.828	0.818
		-7.5	—	0.954	0.910	0.826	0.816
		-10	—	—	0.908	0.824	0.814
		-15	—	—	—	0.815	0.805

6-2. Model: AOYG12KMTA

NOTE: Values mentioned in the table are calculated based on the maximum capacity.

COOLING			Pipe length (m)				
			5	7.5	10	15	20
Height difference H (m)	Indoor unit is higher than outdoor unit *1	15	—	—	—	0.858	0.868
		10	—	—	0.929	0.872	0.882
		7.5	—	0.960	0.933	0.876	0.885
		5	0.992	0.964	0.937	0.879	0.889
	Indoor unit is lower than outdoor unit *2	0	1.000	0.972	0.944	0.887	0.896
		-5	1.000	0.972	0.944	0.887	0.896
		-7.5	—	0.972	0.944	0.887	0.896
		-10	—	—	0.944	0.887	0.896
		-15	—	—	—	0.887	0.896

HEATING			Pipe length (m)				
			5	7.5	10	15	20
Height difference H (m)	Indoor unit is higher than outdoor unit *1	15	—	—	—	0.896	0.879
		10	—	—	0.968	0.890	0.879
		7.5	—	0.994	0.968	0.896	0.879
		5	1.000	0.994	0.968	0.896	0.879
		0	1.000	0.994	0.968	0.896	0.879
	Indoor unit is lower than outdoor unit *2	-5	0.995	0.989	0.963	0.891	0.875
		-7.5	—	0.987	0.961	0.889	0.873
		-10	—	—	0.959	0.887	0.871
		-15	—	—	—	0.878	0.862

6-3. Model: AOYG14KMTA

NOTE: Values mentioned in the table are calculated based on the maximum capacity.

COOLING			Pipe length (m)				
			5	7.5	10	15	20
Height difference H (m)	Indoor unit is higher than outdoor unit *1	15	—	—	—	0.893	0.909
		10	—	—	0.955	0.908	0.924
		7.5	—	0.975	0.959	0.912	0.928
		5	0.992	0.979	0.963	0.916	0.931
		0	1.000	0.987	0.970	0.923	0.939
	Indoor unit is lower than outdoor unit *2	-5	1.000	0.987	0.970	0.923	0.939
		-7.5	—	0.987	0.970	0.923	0.939
		-10	—	—	0.970	0.923	0.939
		-15	—	—	—	0.923	0.939

HEATING			Pipe length (m)				
			5	7.5	10	15	20
Height difference H (m)	Indoor unit is higher than outdoor unit *1	15	—	—	—	0.956	0.938
		10	—	—	1.004	0.956	0.938
		7.5	—	1.013	1.004	0.956	0.938
		5	1.000	1.013	1.004	0.956	0.938
		0	1.000	1.013	1.004	0.956	0.938
	Indoor unit is lower than outdoor unit *2	-5	0.995	1.008	0.999	0.951	0.938
		-7.5	—	1.005	0.997	0.948	0.931
		-10	—	—	0.994	0.946	0.929
		-15	—	—	—	0.937	0.919

7. Additional charge calculation

7-1. Models: AOYG07KMTA and AOYG09KMTA

Refrigerant type		R32
Refrigerant amount	g	600

■ Refrigerant charge

Total pipe length	m	15 or less	20 (Max.)	20 g/m
Additional charge	g	0	100	

7-2. Model: AOYG12KMTA

Refrigerant type		R32
Refrigerant amount	g	700

■ Refrigerant charge

Total pipe length	m	15 or less	20 (Max.)	20 g/m
Additional charge	g	0	100	

7-3. Model: AOYG14KMTA

Refrigerant type		R32
Refrigerant amount	g	850

■ Refrigerant charge

Total pipe length	m	15 or less	20 (Max.)	20 g/m
Additional charge	g	0	100	

8. Airflow

8-1. Model: AOYG07KMTA

● Cooling

m ³ /h	1,650
l/s	458
CFM	971

● Heating

m ³ /h	1,450
l/s	403
CFM	853

8-2. Model: AOYG09KMTA

● Cooling

m ³ /h	1,650
l/s	458
CFM	971

● Heating

m ³ /h	1,450
l/s	403
CFM	853

8-3. Model: AOYG12KMTA

● Cooling

m ³ /h	1,700
l/s	472
CFM	1,001

● Heating

m ³ /h	1,470
l/s	408
CFM	865

8-4. Model: AOYG14KMTA

● Cooling

m ³ /h	1,680
l/s	467
CFM	989

● Heating

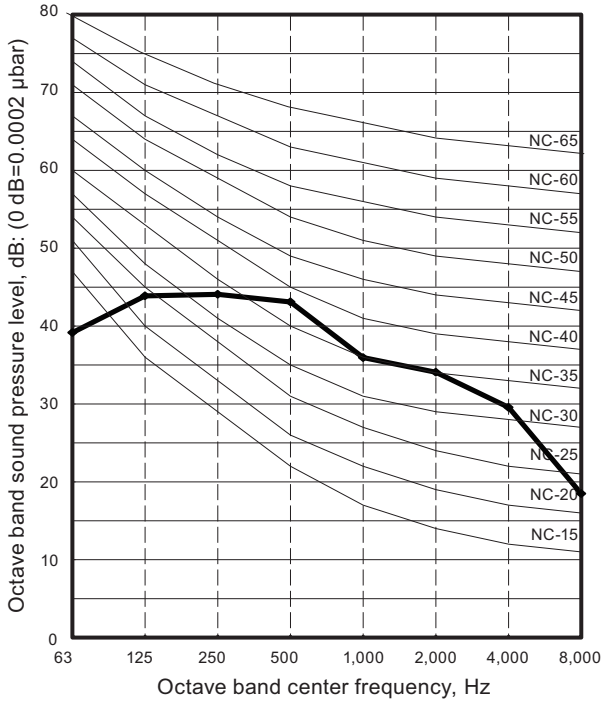
m ³ /h	1,580
l/s	439
CFM	930

9. Operation noise (sound pressure)

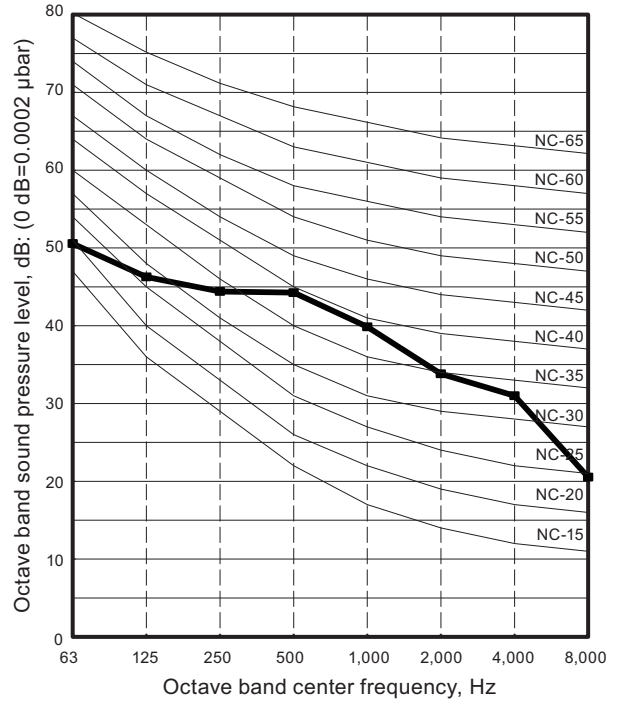
9-1. Noise level curve

Model: AOYG07KMTA

● Cooling

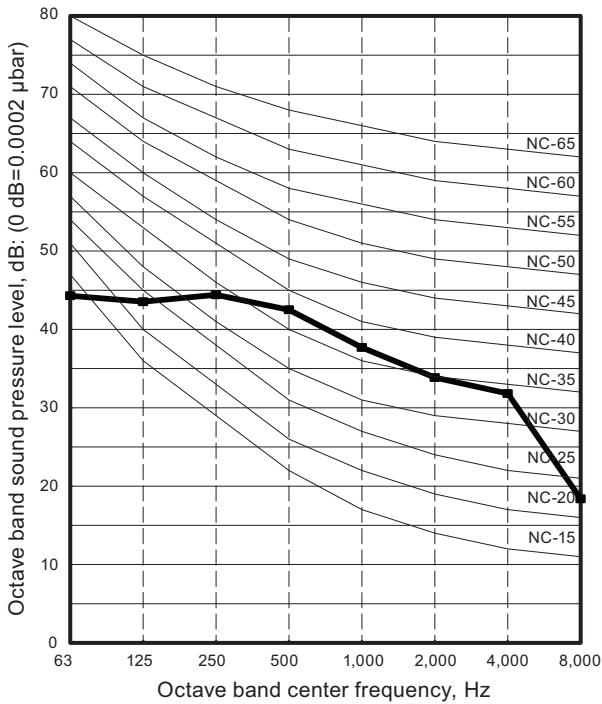


● Heating

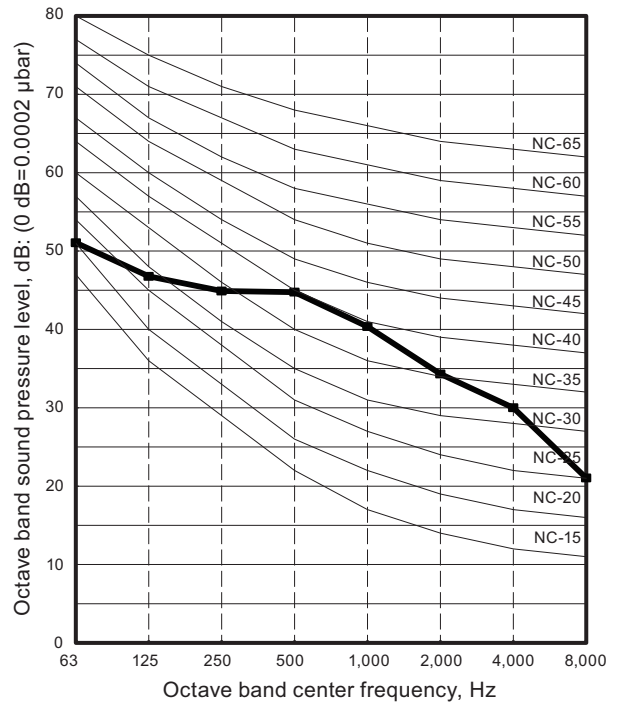


Model: AOYG09KMTA

● Cooling



● Heating

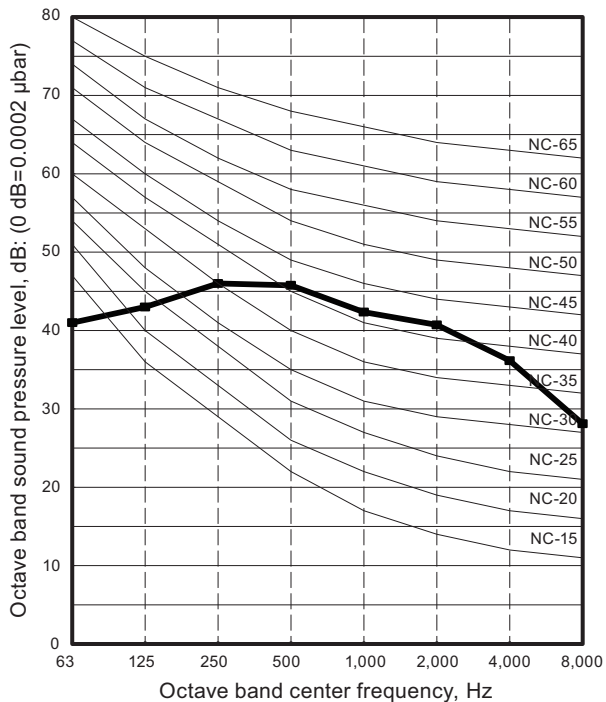


OUTDOOR UNIT
AOYG07-14KMTA

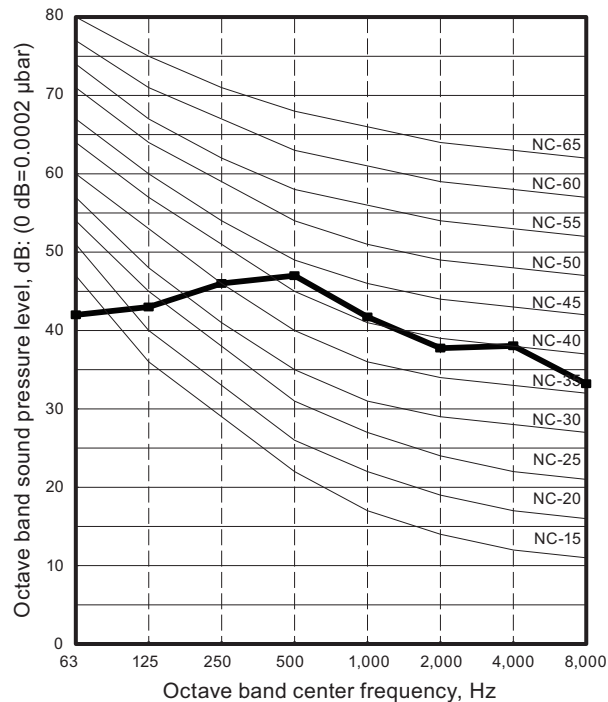
OUTDOOR UNIT
AOYG07-14KMTA

Model: AOYG12KMTA

Cooling



Heating

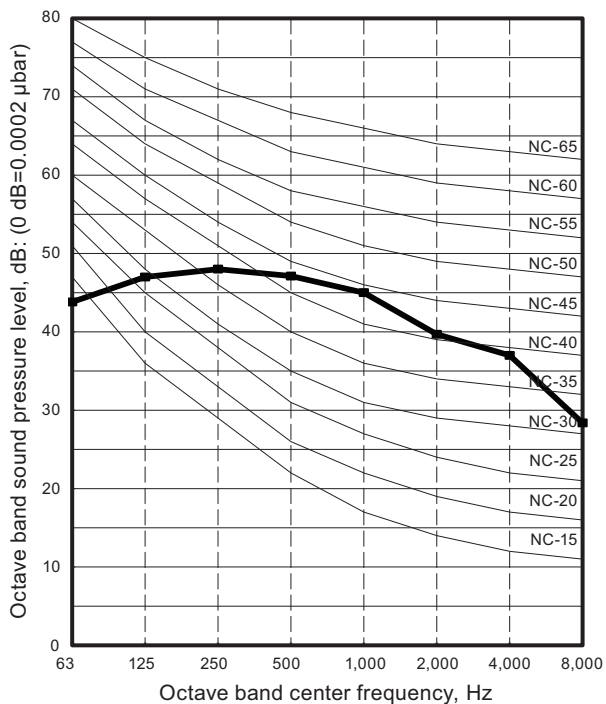


OUTDOOR UNIT
AOYG07-14KMTA

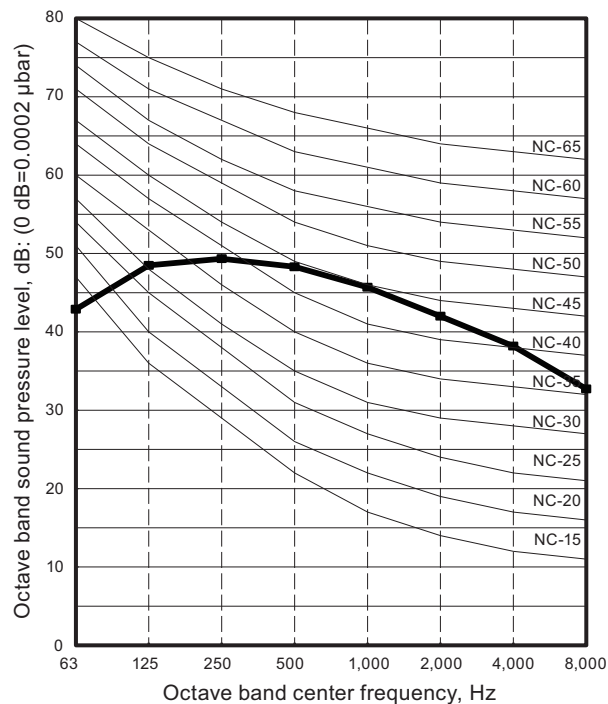
OUTDOOR UNIT
AOYG07-14KMTA

Model: AOYG14KMTA

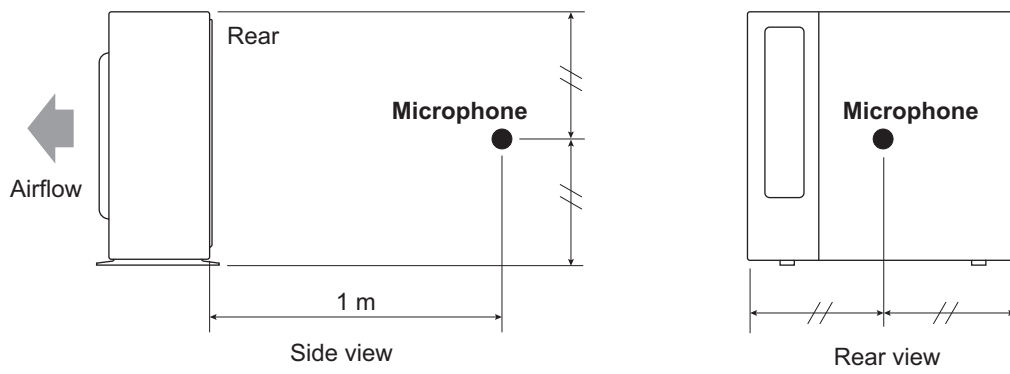
Cooling



Heating



9-2. Sound level check point



NOTE: Detailed shape of the actual outdoor unit might be slightly different from the one illustrated above.

10. Electrical characteristics

Model name			AOYG07KMTA	AOYG09KMTA	AOYG12KMTA	AOYG14KMTA
Power supply	Voltage	V	230 ~			
	Frequency	Hz	50			
Max operating current *1		A	9.0			
Starting current		A	3.0	3.4	5.1	6.8
Wiring spec. *2	Circuit breaker current		A	15		
	Power cable		mm ²	1.5		
	Connection cable *3	Cross-sectional area	mm ²	1.5		
		Limited wiring length	m	21		

*1: Maximum operating current is the total current of the indoor unit and the outdoor unit.

*2: Selected sample based on Japan Electrotechnical Standards and Codes Committee E0005. As the regulations of wire size and circuit breaker differ in each country or region, select appropriate devices complied to the regional standard.

*3: Limit voltage drop to less than 2%. If voltage drop is 2% or more, increase cable conductor size.



11. Safety devices

Type of protection	Protection form		Model	
			AOYG07KMTA	AOYG09KMTA
Circuit protection	Current fuse (Main PCB)		250 V, 20 A	
			250 V, 5 A	
Fan motor protection	Thermal protection	Activate	100±15 °C Fan motor stop	
		Reset	95±10 °C Fan motor restart	
Compressor protection	Terminal protection program (Discharge temp.)	Activate	110 °C Compressor stop	
		Reset	After 7 minutes Compressor restart	

Type of protection	Protection form		Model	
			AOYG12KMTA	AOYG14KMTA
Circuit protection	Current fuse (Main PCB)		250 V, 20 A	
			250 V, 5 A	
Fan motor protection	Thermal protection	Activate	100±15 °C Fan motor stop	
		Reset	95±10 °C Fan motor restart	
Compressor protection	Terminal protection program (Discharge temp.)	Activate	110 °C Compressor stop	
		Reset	After 7 minutes Compressor restart	

12. Accessories

12-1. Models: AOYG07KMTA, AOYG09KMTA, AOYG12KMTA, and AOYG14KMTA

Part name	Exterior	Q'ty	Part name	Exterior	Q'ty
Installation manual		1	Drain pipe		1