

SPLIT TYPE
AIR CONDITIONER
CASSETTE TYPE (50Hz)

SERVICE MANUAL



Indoor unit	Outdoor unit
AUYG45LRLA	AOYG45LETL
AUYG54LRLA	AOYG54LETL

CONTENTS

SPECIFICATIONS	1
DIMENSIONS	2
REFRIGERANT SYSTEM DIAGRAM	3
CIRCUIT DIAGRAM	4
INDOOR PCB CIRCUIT DIAGRAM	5
OUTDOOR PCB CIRCUIT DIAGRAM	9
ERROR DETECTION	15
PARTS (DECORATION PANEL)	19
PARTS (INDOOR UNIT)	22
PARTS (OUTDOOR UNIT)	26
ACCESSORIES	29

SPECIFICATIONS

ELECTRICAL DATA

TYPE		Cooling & Heating	
INDOOR UNIT		AUYG45LRLA	AUYG54LRLA
OUTDOOR UNIT		AOYG45LETL	AOYG54LETL
COOLING CAPACITY		12.5 kW	13.3 kW
HEATING CAPACITY		14.0 kW	16.0 kW
POWER SOURCE		230 V, 50 Hz, single phase	
RUNNING CURRENT	Cooling	16.9 A	19.3 A
	Heating	16.5 A	20.5 A
INPUT WATTS	Cooling	3.88 kW	4.42 kW
	Heating	3.77 kW	4.69 kW
E.E.R.	Cooling	3.22 kW/kW	3.01 kW/kW
COP	Heating	3.71 kW/kW	3.41 kW/kW
MOISTURE REMOVAL		4.5 L/hr	5.0 L/hr
AIRCIRCULATION INDOOR		1,900 m ³ /h	2,000 m ³ /h
AIRCIRCULATION OUTDOOR	Cooling	6,750 m ³ /h	6,750 m ³ /h
	Heating	6,200 m ³ /h	6,850 m ³ /h
MAXIMUM CURRENT		20.5 A	21.5 A

FAN MOTOR

INDOOR UNIT, Discrimination		MFF-54TVM	
INDOOR UNIT	High	690 r.p.m.	720 r.p.m.
	Medium	610 r.p.m.	630 r.p.m.
	Low	550 r.p.m.	570 r.p.m.
	Quiet	470 r.p.m.	480 r.p.m.
OUTDOOR UNIT, Discrimination		MFE-45VVT	
OUTDOOR UNIT Cooling	Upper fan	850 r.p.m.	850 r.p.m.
	Lower fan	800 r.p.m.	800 r.p.m.
OUTDOOR UNIT Heating	Upper fan	780 r.p.m.	850 r.p.m.
	Lower fan	750 r.p.m.	830 r.p.m.

NOISE LEVEL

INDOOR UNIT	High	46 dB	47 dB
	Medium	42 dB	43 dB
	Low	40 dB	41 dB
	Quiet	36 dB	37 dB
OUTDOOR UNIT	Cooling	55 dB	55 dB
	Heating	55 dB	57 dB

COMPRESSOR AND REFRIGERANT

TYPE		Hermetic type, Inverter, 6 poles, DC motor, Twin Rotary	
DISCRIMINATION		N-TF30HD1A	
WEIGHT (with oil)		15.4 kg	
REFRIGERANT TYPE		R410A	
PRECHARGED REFRIGERANT		3,350 g	
MAX PIPE HEIGHT		30 m	
FULL CHARGE	Pipe length	20 m	3,350 g
		30 m	3,750 g
		40 m	4,150 g
		50 m	4,550 g
ADDITIONAL CHARGE		40 g/m	

DIMENSIONS

DECORATION PANEL	H x W x D	50 x 950 x 950 mm
INDOOR UNIT	H x W x D	288 x 840 x 840 mm
OUTDOOR UNIT	H x W x D	1,290 x 900 x 330 mm

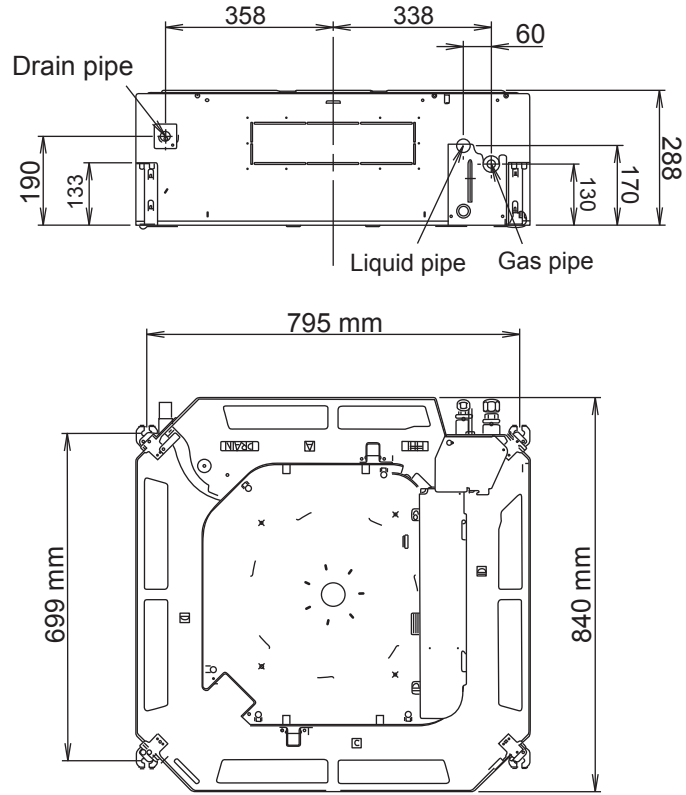
WEIGHT

DECORATION PANEL	Shipping / Net	8.5 kg / 5.5 kg
INDOOR UNIT	Shipping / Net	31 kg / 26 kg
OUTDOOR UNIT	Shipping / Net	94 kg / 86 kg

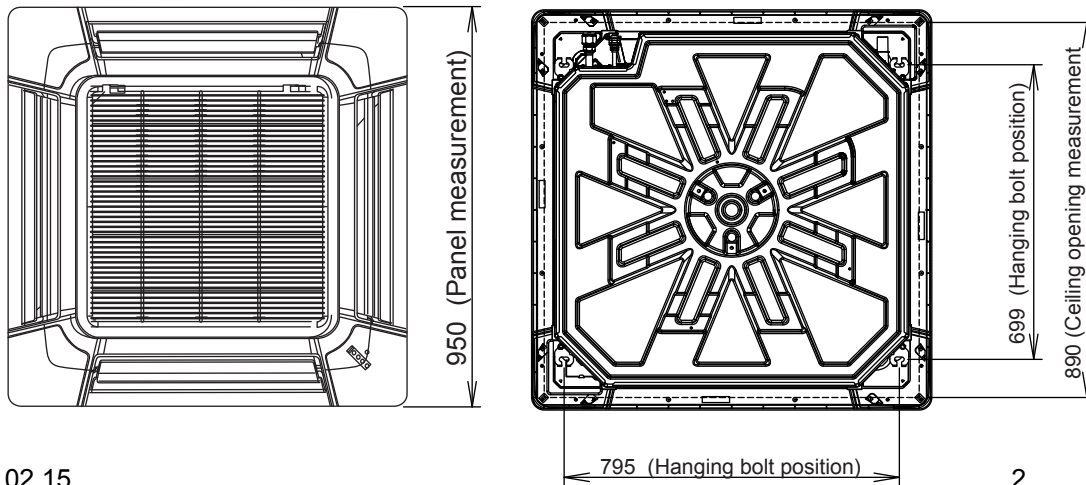
DIMENSIONS

(Unit : mm)

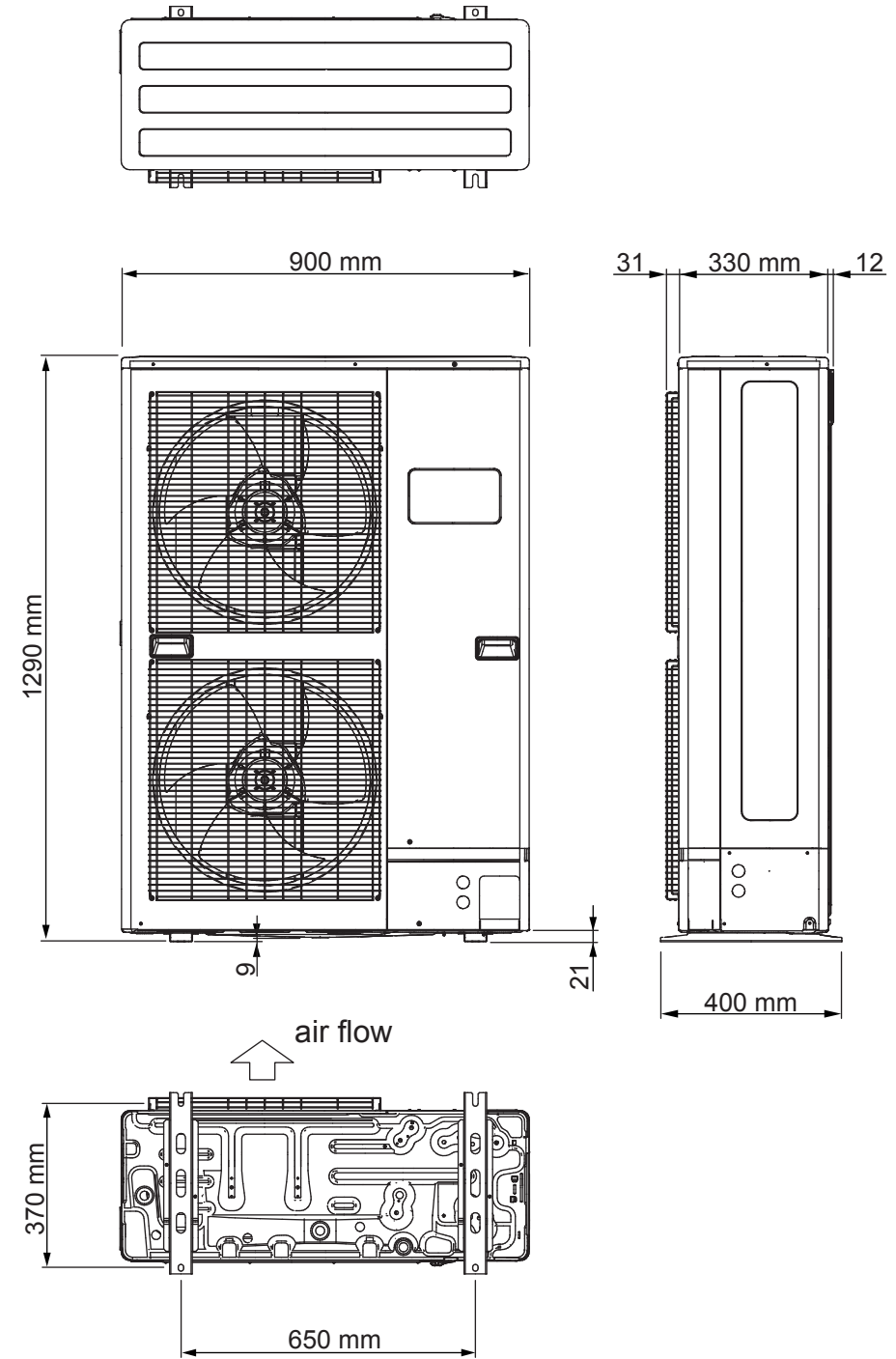
INDOOR UNIT



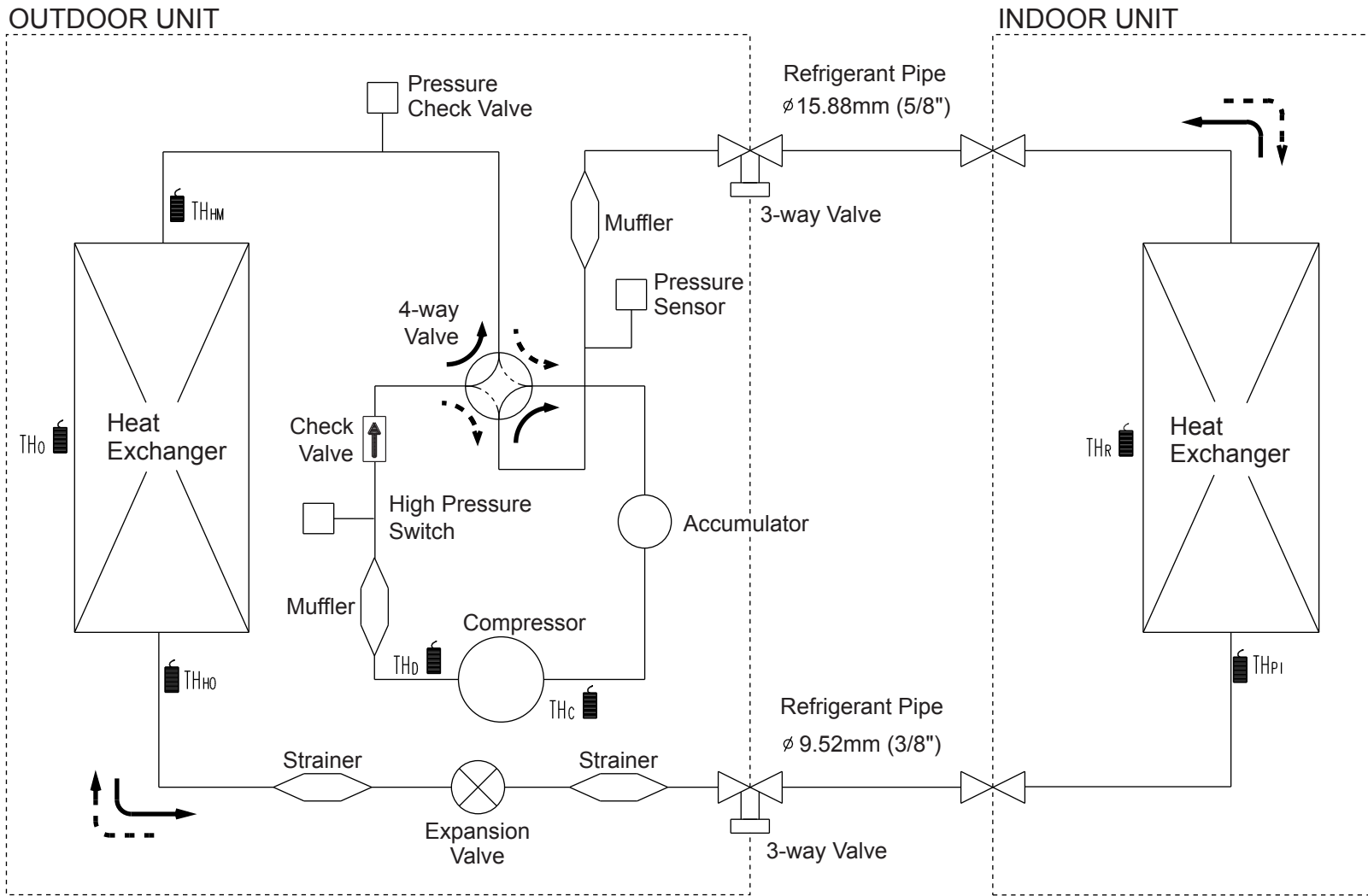
DECORATION PANEL



OUTDOOR UNIT



REFRIGERANT SYSTEM DIAGRAM



Refrigerant direction

→ Cool

---→ Heat

TH_c : Thermistor (Compressor)

TH_d : Thermistor (Discharge)

TH_{HM} : Thermistor (Heat Exchanger Med)

TH_{Ho} : Thermistor (Heat Exchanger Out)

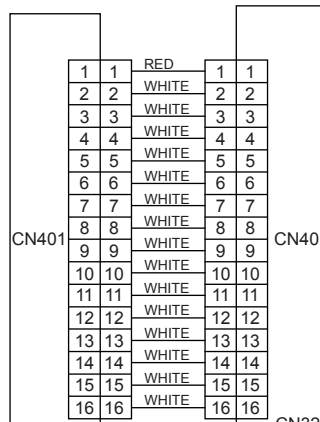
TH_o : Thermistor (Outdoor)

TH_R : Thermistor (Room)

TH_{Pi} : Thermistor (Pipe)

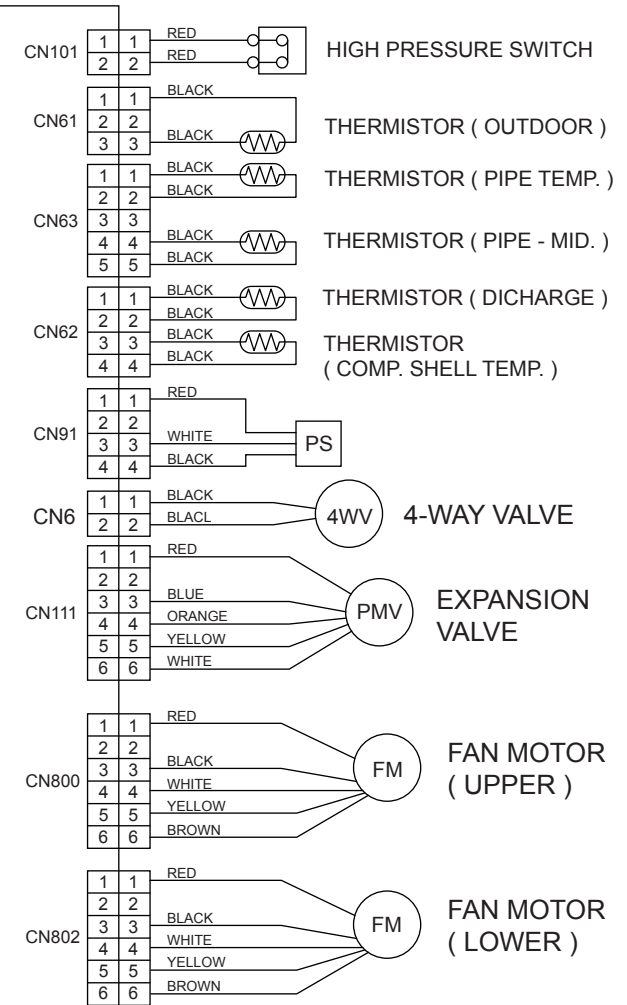
CIRCUIT DIAGRAM

OUTDOOR UNIT

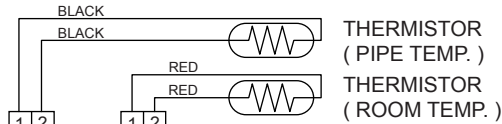


INDICATOR PCB

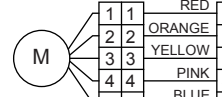
MAIN PCB



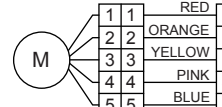
INDOOR UNIT



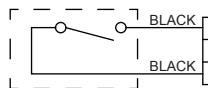
LOUVER (RIGHT / LEFT)



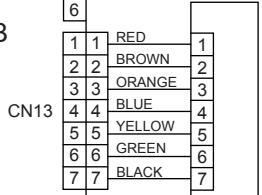
LOUVER (UP / DOWN)



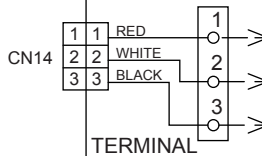
FLOAT SWITCH



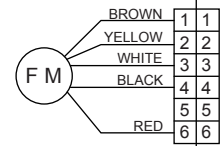
MAIN PCB



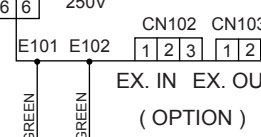
INDICATOR PCB (OPTION)



FAN MOTOR



POWER SUPPLY PCB

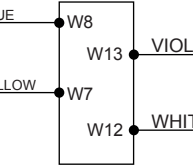


DRAIN PUMP MOTOR

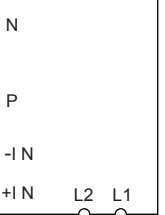
TRANSISTOR PCB (I P M)



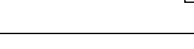
CAPACITOR PCB



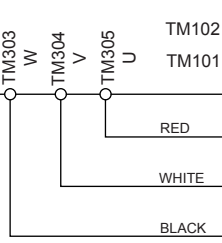
ACTPM



CHOKE COIL



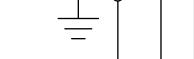
COMPRESSOR



FILTER PCB



TERMINAL



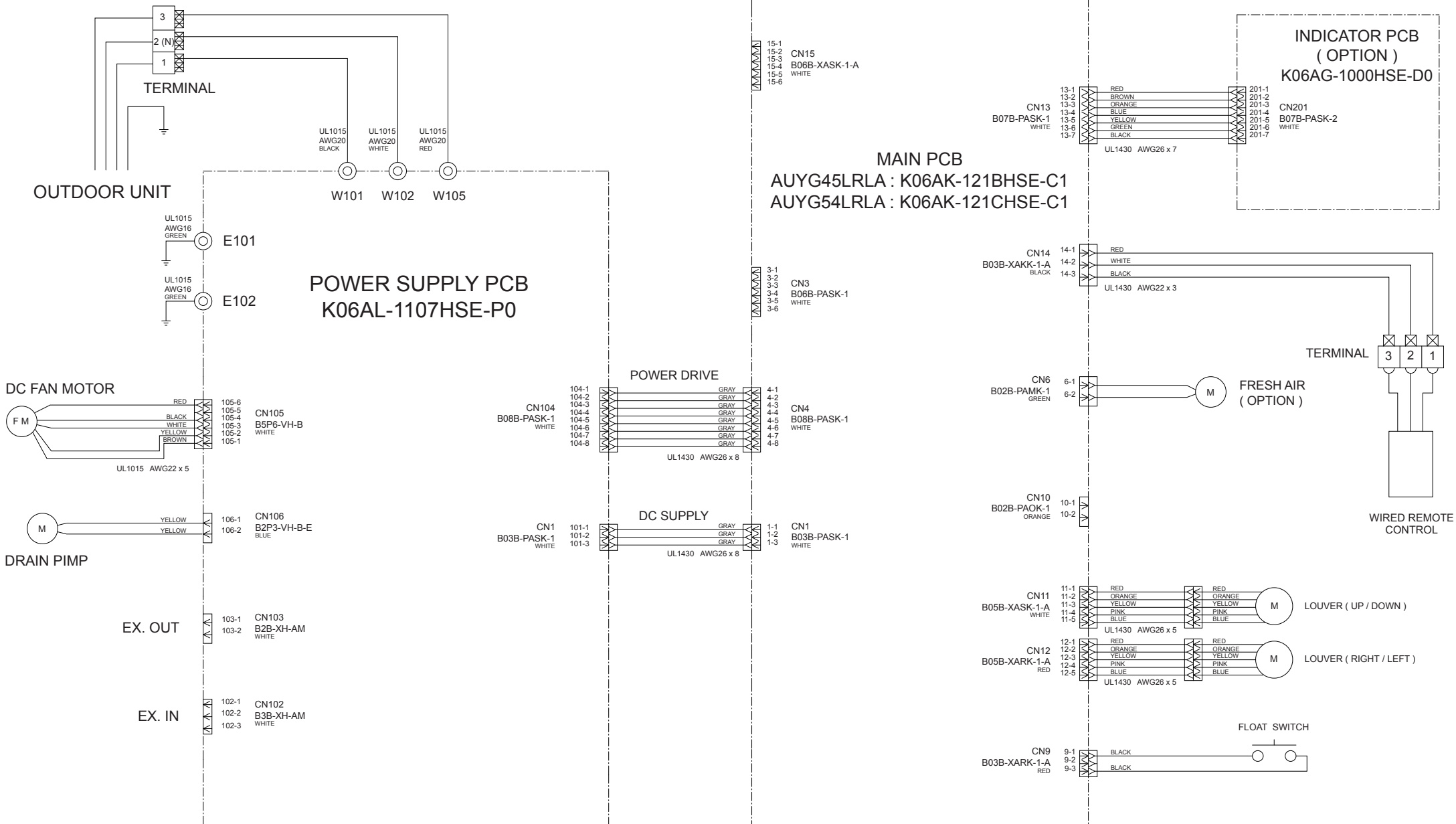
POWER SOURCE

INDOOR PCB CIRCUIT DIAGRAM

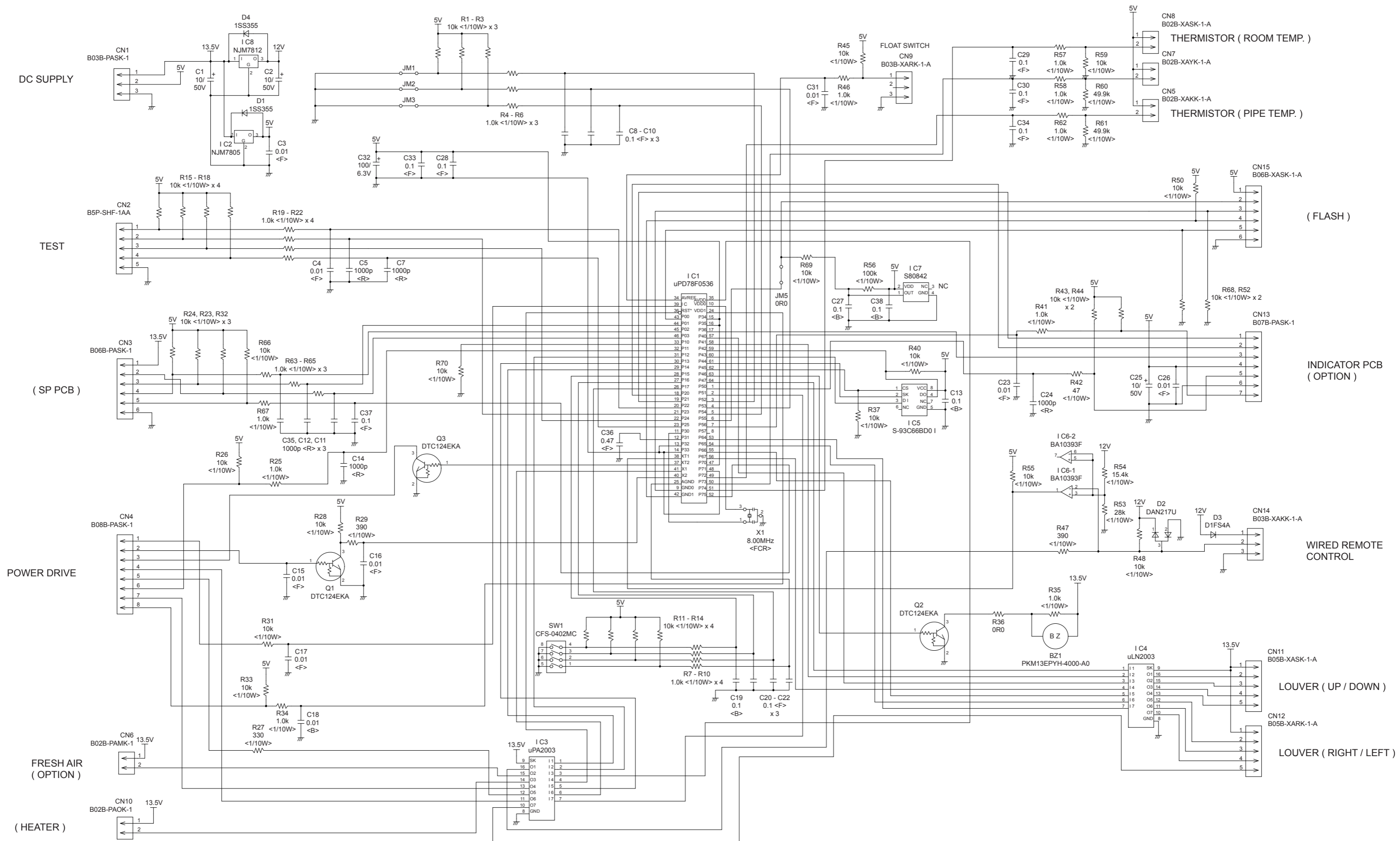
CONTROL UNIT

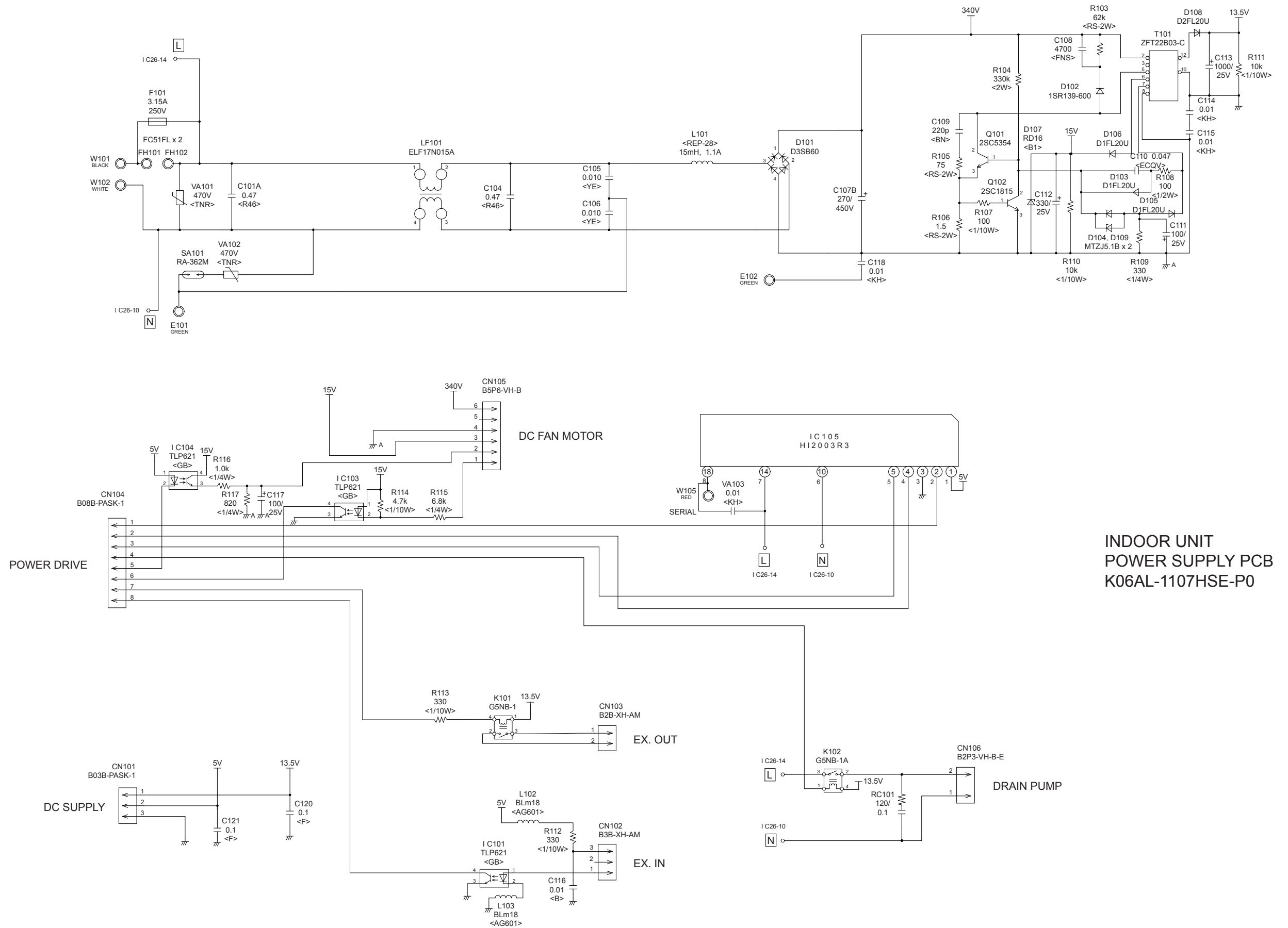
AUYG45LRLA : EZ-0122RHSE

AUYG54LRLA : EZ-0122SHSE



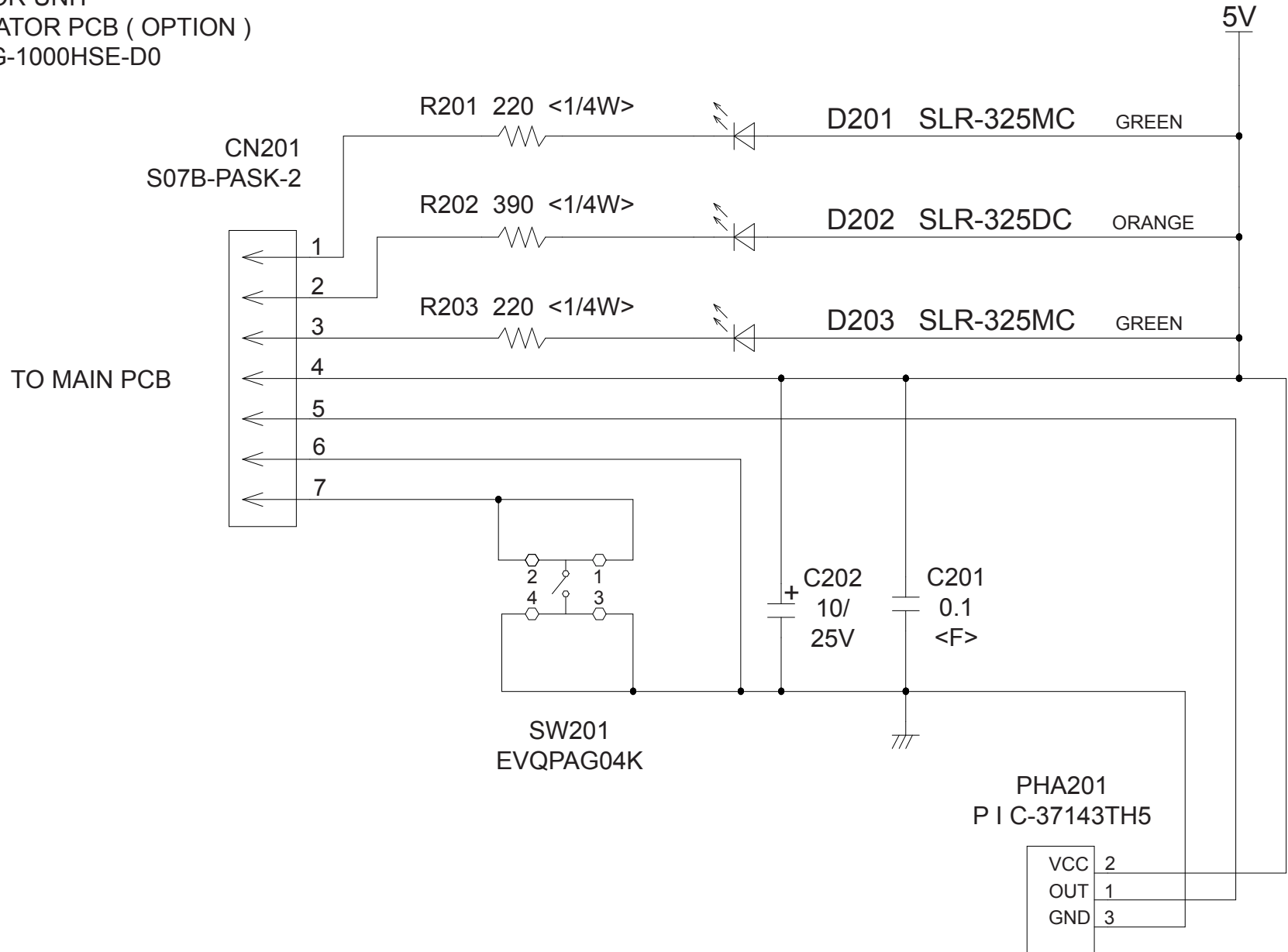
INDOOR UNIT
 MAIN PCB
 AUYG45LRLA : K06AK-121BHSE-C1
 AUYG54LRLA : K06AK-121CHSE-C1





INDOOR UNIT
POWER SUPPLY PCB
K06AL-1107HSE-P0

INDOOR UNIT
 INDICATOR PCB (OPTION)
 K06AG-1000HSE-D0

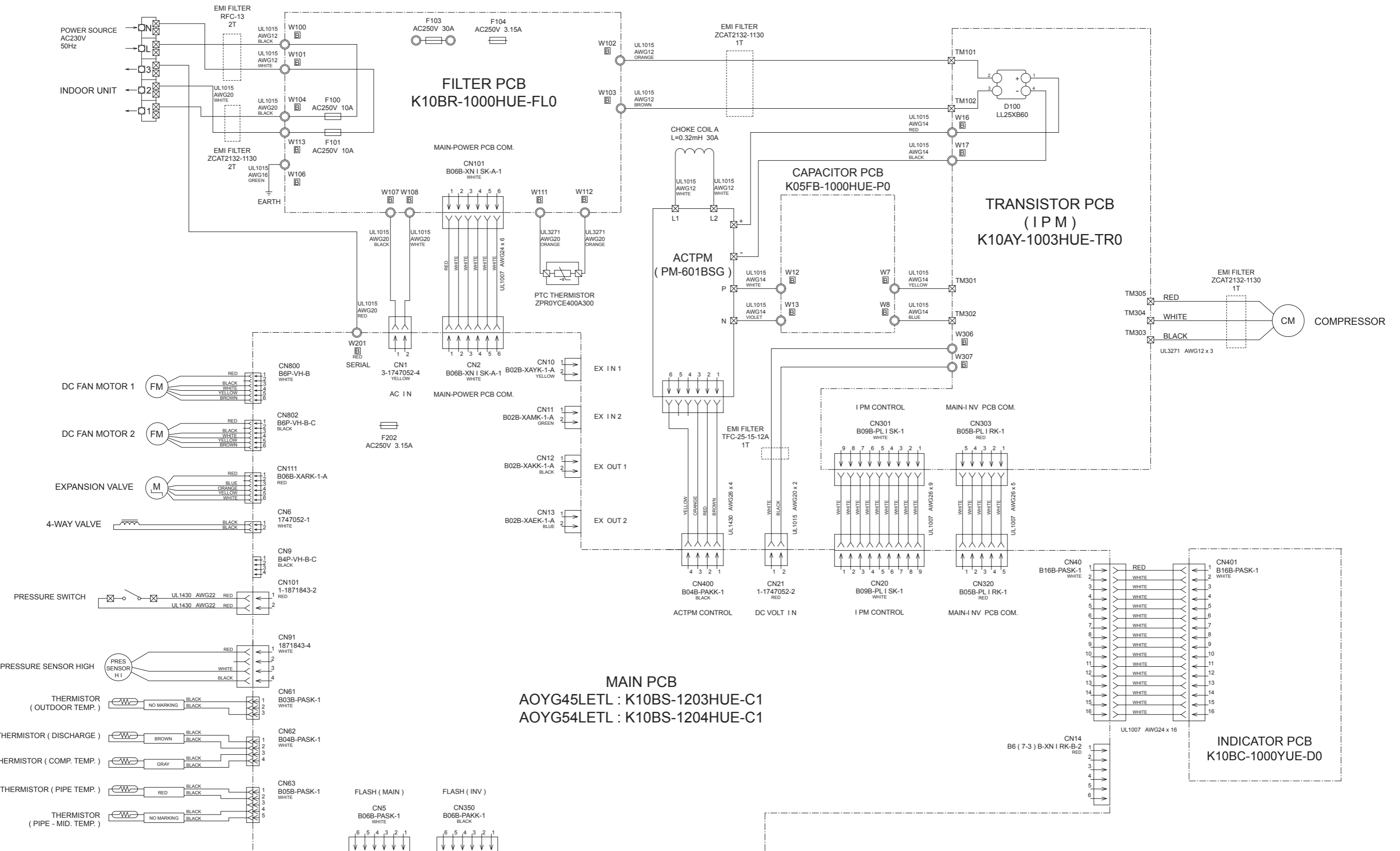


OUTDOOR PCB CIRCUIT DIAGRAM

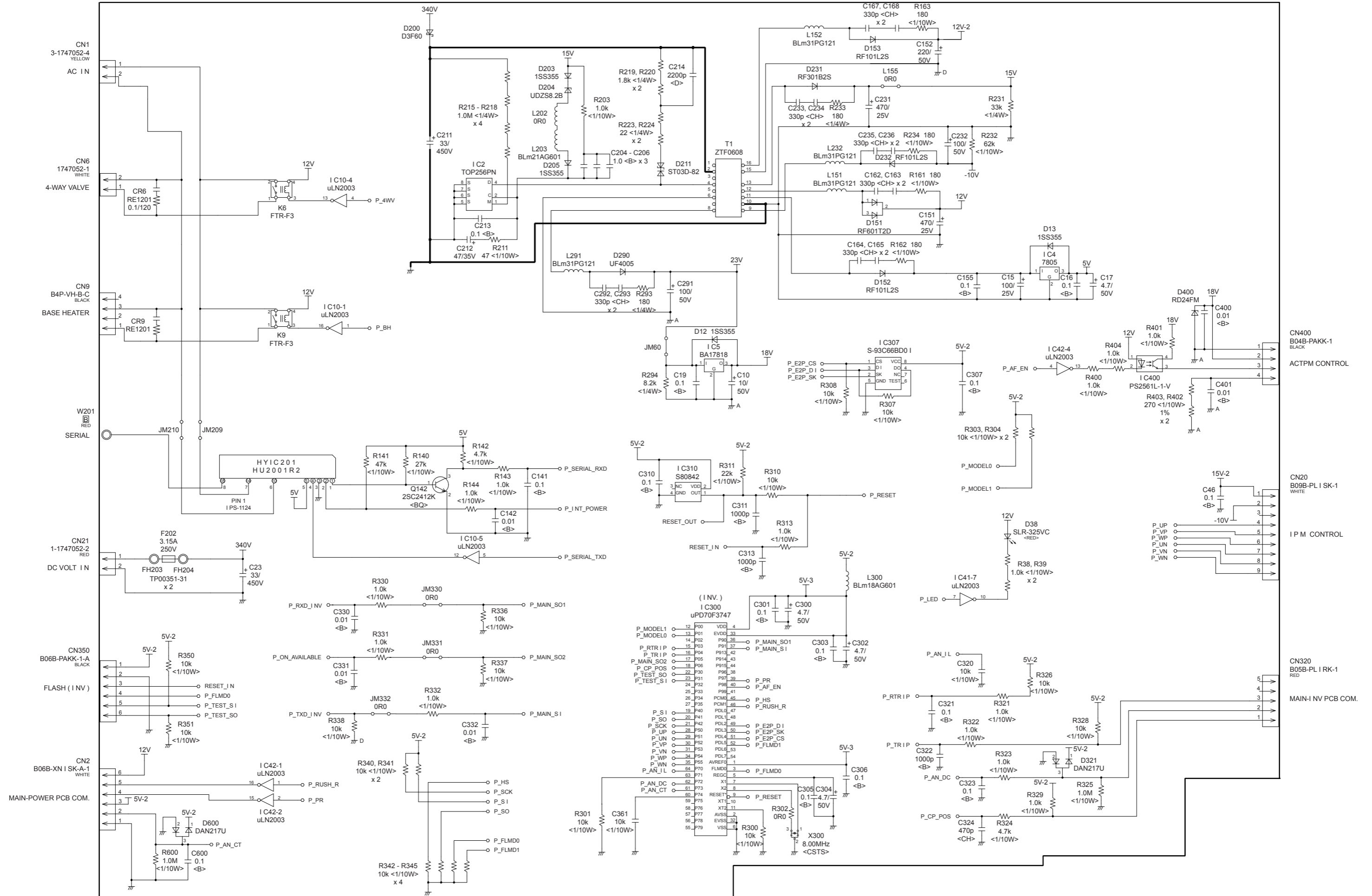
INVERTER ASSEMBLY

AOYG45LETL : EZ-0121HHUE

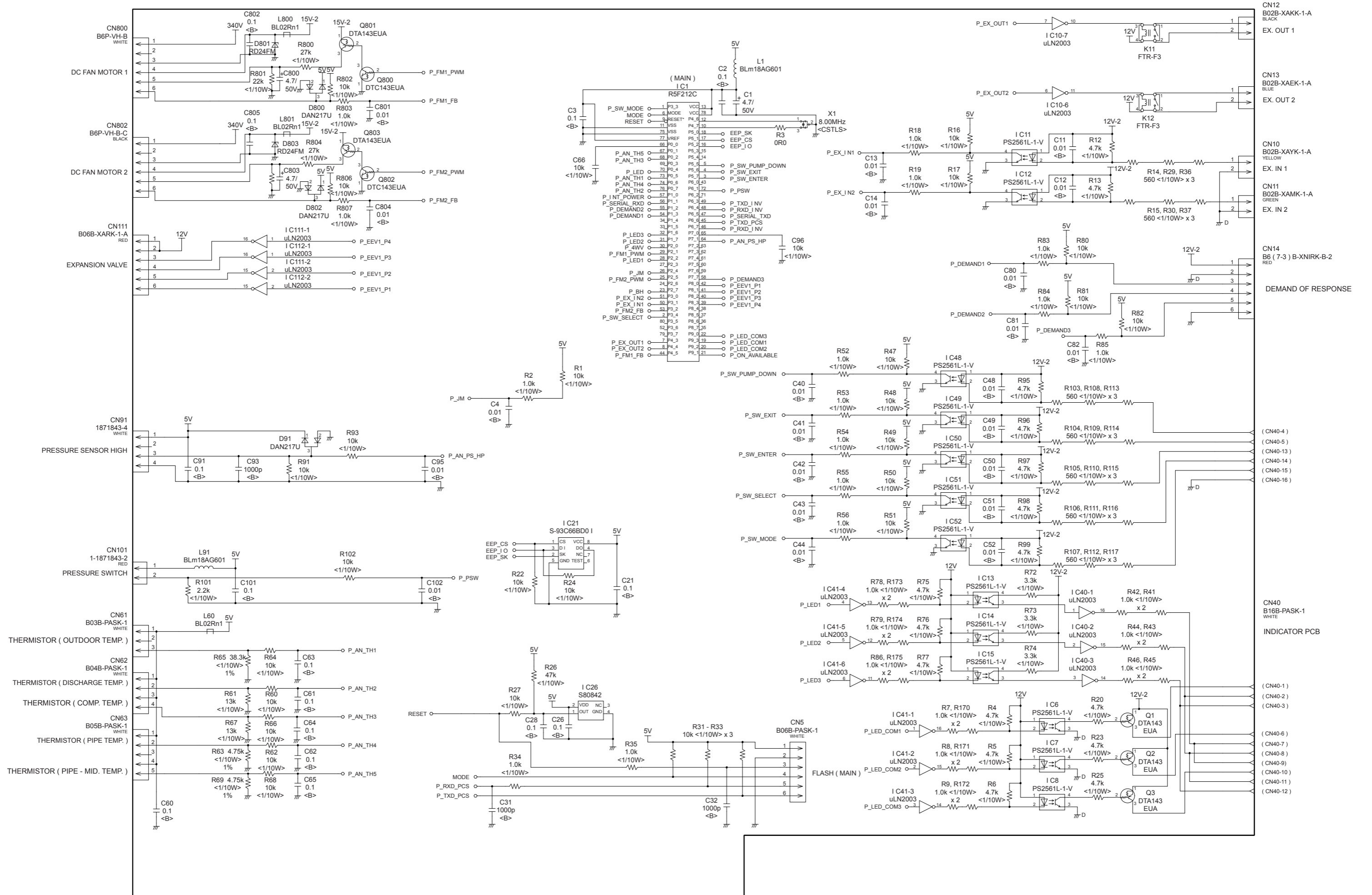
AOYG54LETL : EZ-0121KHUE



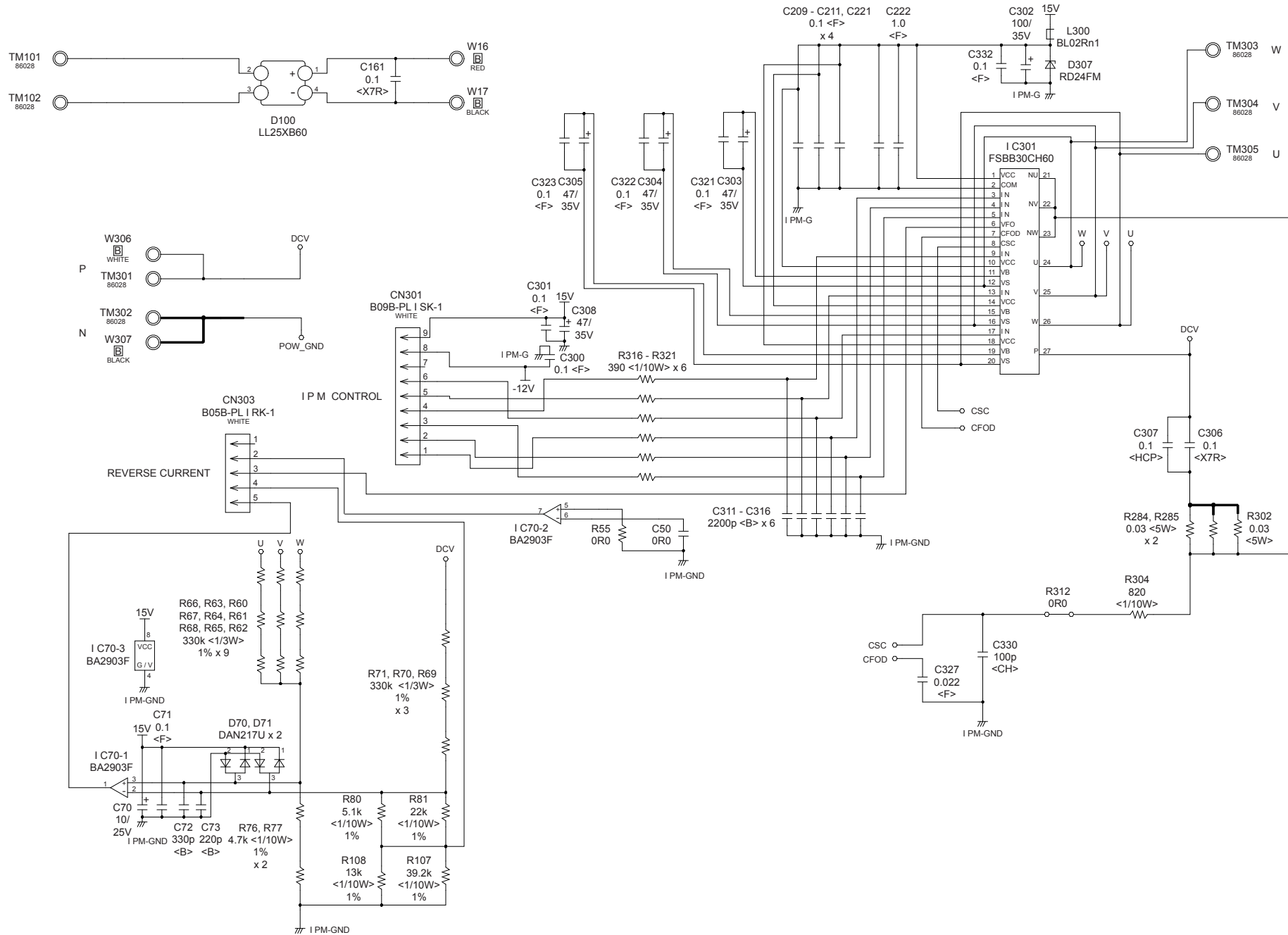
OUTDOOR UNIT
 MAIN PCB - 1
 AOYG45LETL : K10BS-1203HUE-C1
 AOYG54LETL : K10BS-1204HUE-C1



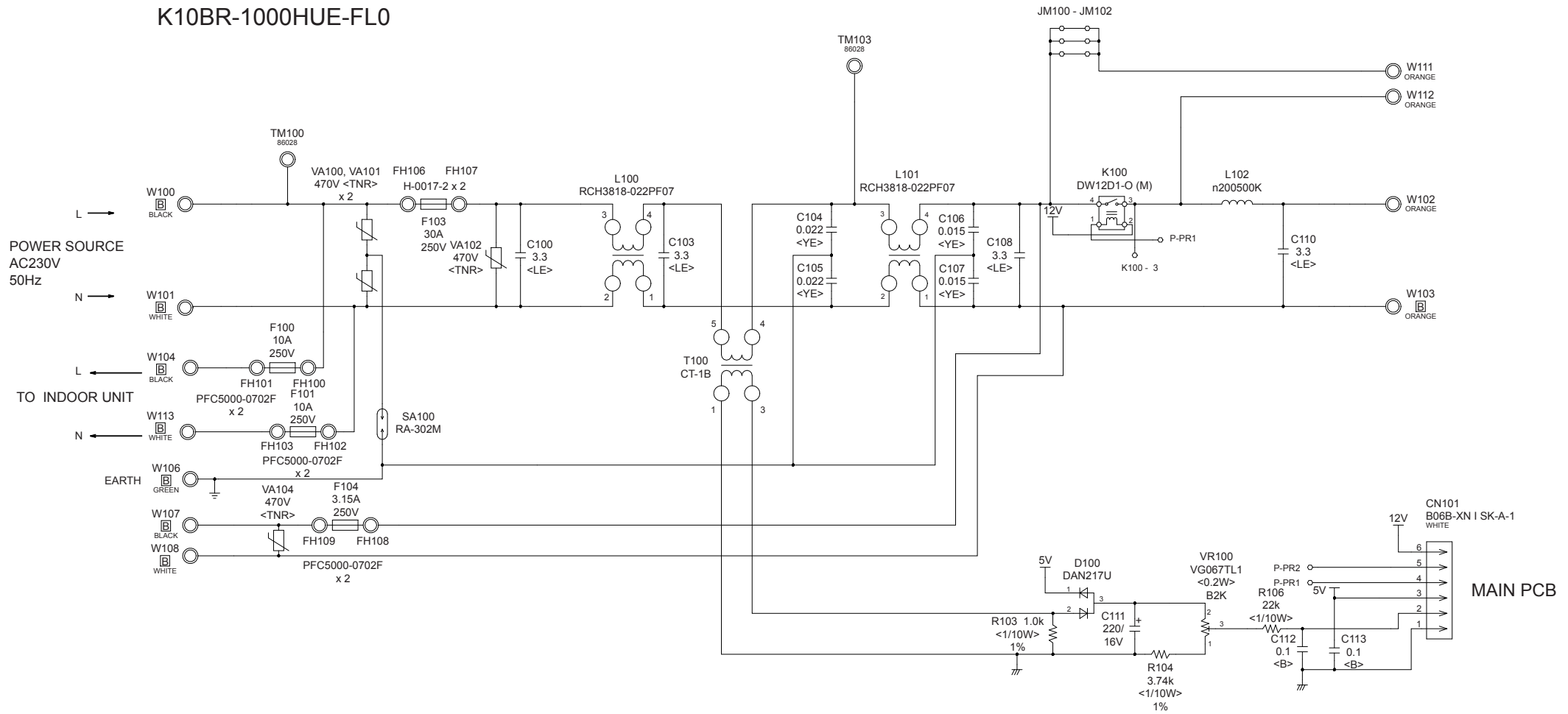
OUTDOOR UNIT
 MAIN PCB - 2
 AOYG45LETL : K10BS-1203HUE-C1
 AOYG54LETL : K10BS-1204HUE-C1



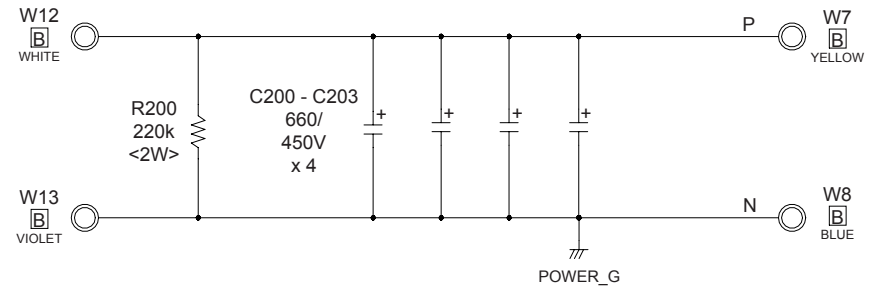
OUTDOOR UNIT TRANSISTOR PCB (I P M) K10AY-1003HUE-TR0



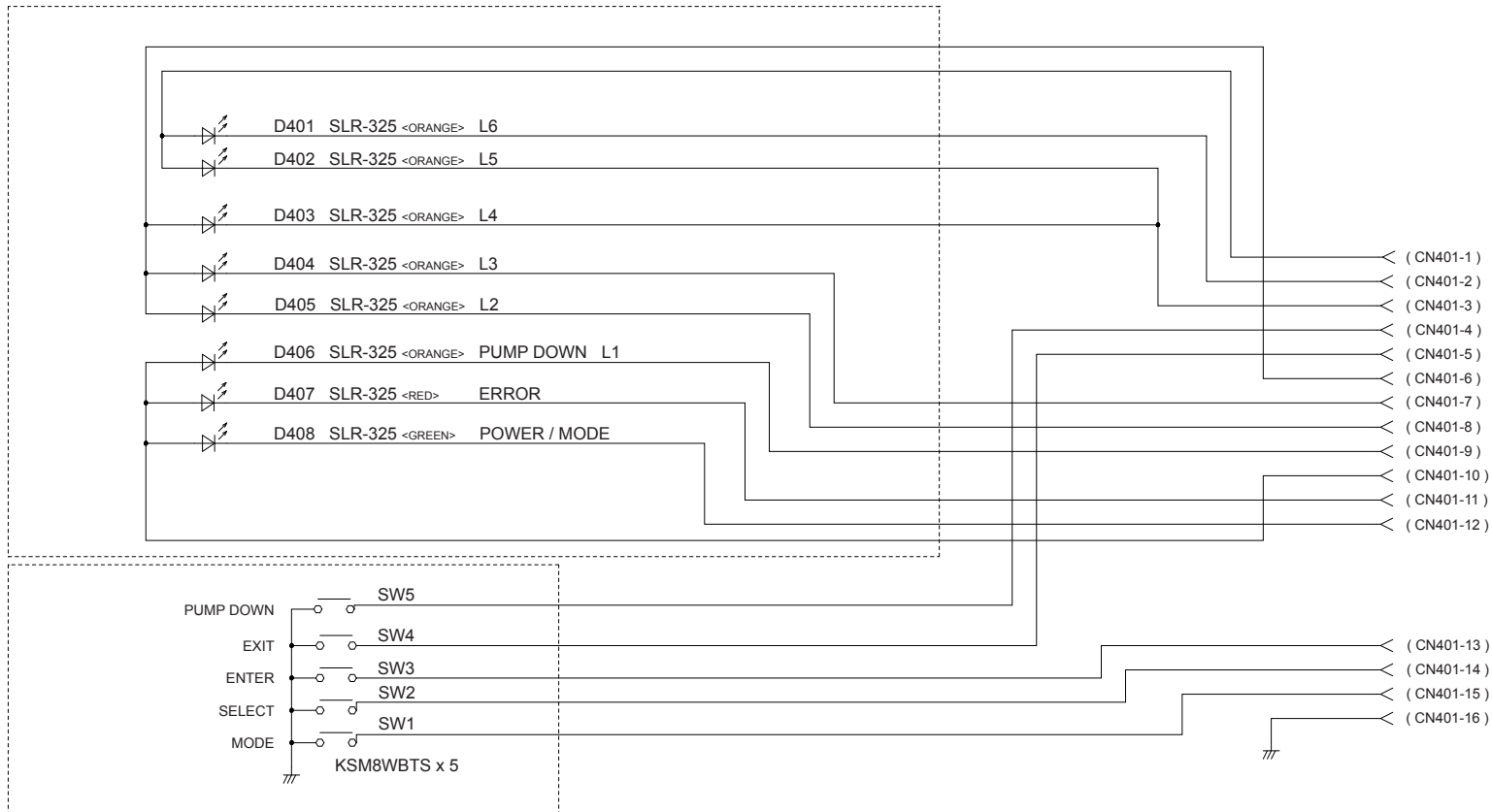
OUTDOOR UNIT POWER SUPPLY PCB K10BR-1000HUE-FL0



OUTDOOR UNIT
CAPACITOR PCB
K05FB-1000HUE-P0



OUTDOOR UNIT
INDICATOR PCB
K10BC-1000YUE-D0



ERROR DETECTION

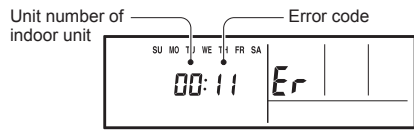
INDOOR UNIT and WIRED REMOTE CONTROL

If you use a wireless remote control, the lamp on the photo detector unit will output error codes by way of blinking patterns.

If you use a wired type remote control, error codes will appear on the remote control display. See the lamp blinking patterns and error codes in the table. An error display is displayed only during running.

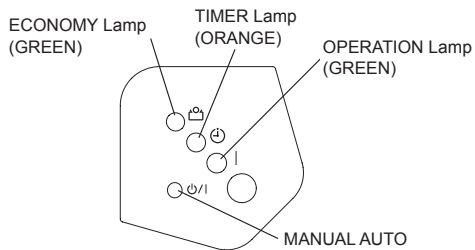
Remote control

This is possible only on a wired remote control. If an error occurs, the following display will be shown. ("Er" will appear in the set room temperature display.)



EX. Self-diagnosis

Indoor unit display (option)



● : 0.5s on / 0.5s off

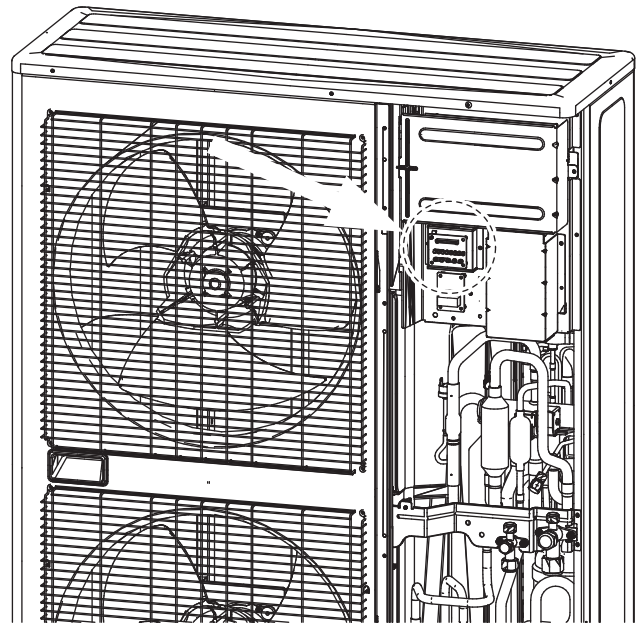
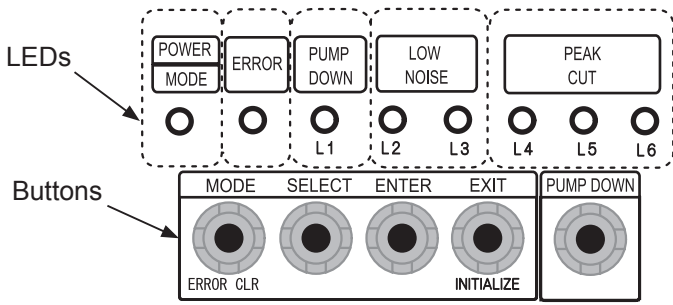
◇ : 0.1s on / 0.1s off

() : Number of flashing

Indoor unit			Wired remote control	Description
OPERATION lamp (green)	TIMER lamp (orange)	ECONOMY lamp (green)		
● (1)	● (1)	◇	11	Serial communication error
● (1)	● (2)	◇	12	Wired remote control communication error
● (1)	● (5)	◇	15	Check run unfinished
● (2)	● (1)	◇	21	Unit number or Refrigerant circuit address setting error [Simultaneous Multi]
● (2)	● (2)	◇	22	Indoor unit capacity error
● (2)	● (3)	◇	23	Combination error
● (2)	● (4)	◇	24	• Connection unit number error (indoor slave unit) [Simultaneous Multi] • Connection unit number error (indoor unit or branch unit) [Flexible Multi]
● (2)	● (7)	◇	27	Master unit, slave unit set-up error [Simultaneous Multi]
● (3)	● (1)	◇	31	Power supply interruption error
● (3)	● (2)	◇	32	Indoor unit PCB model information error
● (3)	● (5)	◇	35	Manual auto switch error
● (4)	● (1)	◇	41	Inlet air temp. sensor error
● (4)	● (2)	◇	42	Indoor unit Heat Ex. Middle temp. sensor error
● (5)	● (1)	◇	51	Indoor unit fan motor error
● (5)	● (3)	◇	53	Drain pump error
● (5)	● (7)	◇	57	Damper error
● (5)	● (15)	◇	5U	Indoor unit error
● (6)	● (2)	◇	62	Outdoor unit main PCB model information error or communication error
● (6)	● (3)	◇	63	Inverter error
● (6)	● (4)	◇	64	Active filter error, PFC circuit error
● (6)	● (5)	◇	65	Trip terminal L error
● (6)	● (10)	◇	6A	Display PCB microcomputers communication error

Indoor unit			Wired remote control	Description
OPERATION lamp (green)	TIMER lamp (orange)	ECONOMY lamp (green)		
● (7)	● (1)	◇	71	Discharge temp. sensor error
● (7)	● (2)	◇	72	Compressor temp. sensor error
● (7)	● (3)	◇	73	Outdoor unit Heat Ex. liquid temp. sensor error
● (7)	● (4)	◇	74	Outdoor temp. sensor error
● (7)	● (5)	◇	75	Suction Gas temp. sensor error
● (7)	● (6)	◇	76	• 2-way valve temp. sensor error • 3-way valve temp. sensor error
● (7)	● (7)	◇	77	Heat sink temp. sensor error
● (8)	● (2)	◇	82	• Sub-cool Heat Ex. gas inlet temp. sensor error • Sub-cool Heat Ex. gas outlet temp. sensor error
● (8)	● (3)	◇	83	Liquid pipe temp. sensor error
● (8)	● (4)	◇	84	Current sensor error
● (8)	● (6)	◇	86	• Discharge pressure sensor error • Suction pressure sensor error • High pressure switch error
● (9)	● (4)	◇	94	Trip detection
● (9)	● (5)	◇	95	Compressor rotor position detection error (permanent stop)
● (9)	● (7)	◇	97	Outdoor unit fan motor 1 error
● (9)	● (8)	◇	98	Outdoor unit fan motor 2 error
● (9)	● (9)	◇	99	4-way valve error
● (9)	● (10)	◇	9A	Coil (expansion valve) error
● (10)	● (1)	◇	A1	Discharge temp. error
● (10)	● (3)	◇	A3	Compressor temp. error
● (10)	● (4)	◇	A4	High pressure error
● (10)	● (5)	◇	A5	Low pressure error
● (13)	● (2)	◇	J2	Branch boxes error [Flexible Multi]

OUTDOOR UNIT Indicator PCB



ERROR DETECTION

Display when an error occurs.

POWER MODE	ERROR	PUMP DOWN (L1)	LOW NOISE (L2) (L3)			PEAK CUT (L4) (L5) (L6)		
On	Blink (Hi speed)	Off	Off	Off	Off	Off	Off	Off

Check that the “ERROR” LED blinks, then press the [Enter] button once.
For details, refer to the following table.

DESCRIPTION	REMARK	LED display							
		POWER MODE	ERROR	PUMP DOWN (L1)	LOW NOISE (L2) (L3)		PEAK CUT (L4) (L5) (L6)		
Serial communication error	Serial forward transmission error immediately after operation	Blink (2 times)	On	Blink (1 time)	Blink (1 time)	Off	Off	On	On
	Serial forward transmission error during operation	Blink (2 times)	On	Blink (1 time)	Blink (1 time)	Off	On	Off	Off
Indoor unit capacity error	Indoor unit capacity error	Blink (2 times)	On	Blink (2 times)	Blink (2 times)	Off	Off	Off	On
Indoor unit error	Indoor unit error	Blink (2 times)	On	Blink (5 times)	Blink (15 times)	Off	Off	Off	On
Outdoor unit main PCB error	Outdoor unit PCB model information error	Blink (2 times)	On	Blink (6 times)	Blink (2 times)	Off	Off	Off	On
Inverter PCB error	Inverter error	Blink (2 times)	On	Blink (6 times)	Blink (3 times)	Off	Off	Off	On
IPM error	Trip terminal L error	Blink (2 times)	On	Blink (6 times)	Blink (5 times)	Off	Off	On	On
Discharge temp. sensor error	Discharge temp. sensor 1 error	Blink (2 times)	On	Blink (7 times)	Blink (1 time)	Off	Off	Off	On
Compressor temp. sensor error	Compressor temp. sensor 1 error	Blink (2 times)	On	Blink (7 times)	Blink (2 times)	Off	Off	Off	On
Outdoor unit Heat Ex. sensor error	Heat Ex. centre temp. sensor error	Blink (2 times)	On	Blink (7 times)	Blink (3 times)	Off	Off	On	Off
	Outdoor unit Heat Ex. liquid temp. sensor error	Blink (2 times)	On	Blink (7 times)	Blink (3 times)	Off	Off	On	On
Outdoor temp. sensor error	Outdoor temp. sensor error	Blink (2 times)	On	Blink (7 times)	Blink (4 times)	Off	Off	Off	On
Heat sink temp. sensor error	Heat sink temp. sensor error	Blink (2 times)	On	Blink (7 times)	Blink (7 times)	Off	Off	Off	On
Current sensor error	Current sensor 1 error (stoppage permanently)	Blink (2 times)	On	Blink (8 times)	Blink (4 times)	Off	Off	Off	On
Pressure sensor error	High pressure switch 1 error	Blink (2 times)	On	Blink (8 times)	Blink (6 times)	Off	On	Off	Off
	Pressure sensor error	Blink (2 times)	On	Blink (8 times)	Blink (6 times)	Off	On	On	Off
Trip detection	Trip detection	Blink (2 times)	On	Blink (9 times)	Blink (4 times)	Off	Off	Off	On
Compressor motor control error	Rotor position detection error (stoppage permanently)	Blink (2 times)	On	Blink (9 times)	Blink (5 times)	Off	Off	Off	On
Outdoor unit fan motor 1 error	Duty abnormal	Blink (2 times)	On	Blink (9 times)	Blink (7 times)	Off	Off	On	On
Outdoor unit fan motor 2 error	Duty abnormal	Blink (2 times)	On	Blink (9 times)	Blink (8 times)	Off	Off	On	On
4-way valve error	4-way valve error	Blink (2 times)	On	Blink (9 times)	Blink (9 times)	Off	Off	Off	On
Discharge temp. 1 error	Discharge temp. 1 error	Blink (2 times)	On	Blink (10 times)	Blink (1 time)	Off	Off	Off	On
Compressor temp. error	Compressor 1 temp. error	Blink (2 times)	On	Blink (10 times)	Blink (3 times)	Off	Off	Off	On
Pressure error 2	Low pressure error	Blink (2 times)	On	Blink (10 times)	Blink (5 times)	Off	Off	Off	On

OUTDOOR UNIT TEST RUN

Before the test run, refer to the figure and check the following items.

<input type="checkbox"/>	Is the outdoor unit securely installed?
<input type="checkbox"/>	Have you performed gas leakage inspection? (Connection joints of various pipes (flang connection, brazing))
<input type="checkbox"/>	Is the heat insulation done completely? (Gas pipe, liquid pipe, drain hose extension on indoor unit side etc)
<input type="checkbox"/>	Is the water discharging from drain without any problems?
<input type="checkbox"/>	Are the cables connected correctly?
<input type="checkbox"/>	Are the cables as per specifications?
<input type="checkbox"/>	Is the earth wire connected accurately?
<input type="checkbox"/>	Are there any obstacles blocking the suction gate, and outlet of the indoor/outdoor units?
<input type="checkbox"/>	Have you filled the specified amount of refrigerant?
<input type="checkbox"/>	Are the stop valves of gas pipe and liquid pipe fully open?
<input type="checkbox"/>	Has the power been supplied to crankcase heater for more than 6 hours?

If there are problems, adjust immediately and recheck.

Test run method

Be sure to configure test run settings only when the outdoor unit has stopped operating.

Depending on the communication status between the indoor and outdoor units, it may take several minutes for the system to start operating after settings for the test run are complete.

After the test run settings are complete, the outdoor units and the connected indoor units will start operating. Room temperature control will not activate during test operation (continuous operation).

If a knocking sound can be heard in the liquid compression of the compressor, stop the unit immediately and then energize the crank case heater for a sufficient length of time before restarting the operation.

Test run setting method (it can be performed in the following two ways)

Set with test run setting (refer to installation instructions manual of indoor unit for further details) available in the remote control.

Cooling Operation" and Heating Operation" can be set using , SELECT button and ENTER button available on the board of display unit.

(*Make sure to perform the first test run with cooling operation.)

Set as per the procedure given below.

Check items during test run

<input type="checkbox"/>	Is the outdoor unit making any abnormal noise or vibrating significantly?
<input type="checkbox"/>	Is the cold air or hot air blowing from indoor unit according to the operation mode?
<input type="checkbox"/>	Check that the "ERROR" LED blinks If it has displayed, check the error content as per 12.2. described later.
<input type="checkbox"/>	Operate the unit according to the operating manual provided with the indoor unit, and check that it is operating normally.

Setting method

- (1) Turn on the power of the outdoor unit and enter standby mode.

POWER	ERROR	PUMP DOWN	LOW NOISE			PEAK CUT	
MODE		(L1)	(L2)	(L3)	(L4)	(L5)	(L6)
On	Off	Off	Off	Off	Off	Off	Off

- (2) Press the ENTER button for more than 3 seconds.

POWER	ERROR	PUMP DOWN	LOW NOISE			PEAK CUT	
MODE		(L1)	(L2)	(L3)	(L4)	(L5)	(L6)
Blink	Off	Off	Off	Blink	Off	Off	Off

- (3) Press the SELECT button,
LED of the test run mode Switched between "COOL" and "HEAT".

Cooling test mode

POWER	ERROR	PUMP DOWN	LOW NOISE			PEAK CUT	
MODE		(L1)	(L2)	(L3)	(L4)	(L5)	(L6)
Blink	Off	Off	Off	Blink	Off	Off	Off

Heating test mode

POWER	ERROR	PUMP DOWN	LOW NOISE			PEAK CUT	
MODE		(L1)	(L2)	(L3)	(L4)	(L5)	(L6)
Blink	Off	Off	Blink	Off	Off	Off	Off

- (4) After confirm the operation mode, Press ENTER button.
The display changes as follows, and Air conditioner starts operation.

Cooling test mode

POWER	ERROR	PUMP DOWN	LOW NOISE			PEAK CUT	
MODE		(L1)	(L2)	(L3)	(L4)	(L5)	(L6)
Blink	Off	Off	Off	On	Off	Off	Off

Heating test mode

POWER	ERROR	PUMP DOWN	LOW NOISE			PEAK CUT	
MODE		(L1)	(L2)	(L3)	(L4)	(L5)	(L6)
Blink	Off	Off	On	Off	Off	Off	Off

- (5) Press [ENTER] button.
Air conditioner stopped operation.

POWER	ERROR	PUMP DOWN	LOW NOISE			PEAK CUT	
MODE		(L1)	(L2)	(L3)	(L4)	(L5)	(L6)
On	Off	Off	Off	Off	Off	Off	Off

OUTDOOR UNIT PUMP DOWN

⚠ WARNING

Never touch electrical components such as the terminal blocks except the button on the display board. It may cause a serious accident such as electric shock.

During the pump-down operation, make sure that the compressor is turned off before you remove the refrigerant piping.

Do not remove the connection pipe while the compressor is in operation with 2-way or 3-way valve open. This may cause abnormal pressure in the refrigeration cycle that leads to breakage and even injury.

⚠ CAUTION

Perform the pump down operation before disconnecting any refrigerant pipe or electric cable.

Collect refrigerant from the service port or the 3-way valve if pump down cannot be performed.

In case of a group control system installation, do not turn the power off pump down is completed in all outdoor units.
(Group control system installation described in SPECIAL INSTALLATION METHODS" in the installation manual of the indoor unit.)

- Operate [PUMPDOWN] button on the display board in the manner described below.

Preparation for pump down
Confirm that the power is off,
and then open the service panel.

Procedure

- Check the 3-way valves (both the liquid side and gas side) are opened.
- Turn the power on.

POWER	ERROR	PUMP DOWN	LOW NOISE			PEAK CUT		
MODE		(L1)	(L2)	(L3)	(L4)	(L5)	(L6)	
On	Off	Off	Off	Off	Off	Off	Off	

- Press [PUMP DOWN] button for 3 seconds or more after 3 minutes after power on.

POWER	ERROR	PUMP DOWN	LOW NOISE			PEAK CUT		
MODE		(L1)	(L2)	(L3)	(L4)	(L5)	(L6)	
On	Off	On	Off	Off	On	On	On	

LED display lights on as shown in the above figure and the fans and the compressor start operating.

- If the [PUMP DOWN] button is pressed while the compressor is operating, the compressor will stop, then start again in about 3 minutes.

- LED display will change as shown below about 3 minutes after the compressor starts. Fully close the 3-way valve on the liquid pipe side at this stage.

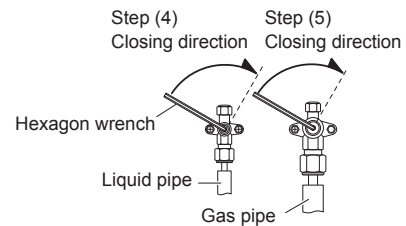
POWER	ERROR	PUMP DOWN	LOW NOISE			PEAK CUT		
MODE		(L1)	(L2)	(L3)	(L4)	(L5)	(L6)	
On	Off	On	Off	Off	Off	On	On	

- If the valve on the liquid pipe side is not closed, the pump down cannot be performed.

- When LED display changes as shown in the below figure close the 3-way valve on the gas pipe side tightly.

POWER	ERROR	PUMP DOWN	LOW NOISE			PEAK CUT		
MODE		(L1)	(L2)	(L3)	(L4)	(L5)	(L6)	
On	Off	On	Off	Off	Off	Off	On	

- if the valve on the gas pipe side is not closed, refrigerant may flow into the piping after the compressor stops.



- LED display changes after 1 minute as shown in the figure below.

POWER	ERROR	PUMP DOWN	LOW NOISE			PEAK CUT		
MODE		(L1)	(L2)	(L3)	(L4)	(L5)	(L6)	
On	Off	On	Off	Off	Off	Off	Off	

Fans and compressor stop automatically.

- If the pump down is successfully completed (the above LED display is shown), the outdoor unit remains stopped until the power is turned off.

- Turn the power off.

POWER	ERROR	PUMP DOWN	LOW NOISE			PEAK CUT		
MODE		(L1)	(L2)	(L3)	(L4)	(L5)	(L6)	
Off	Off	Off	Off	Off	Off	Off	Off	

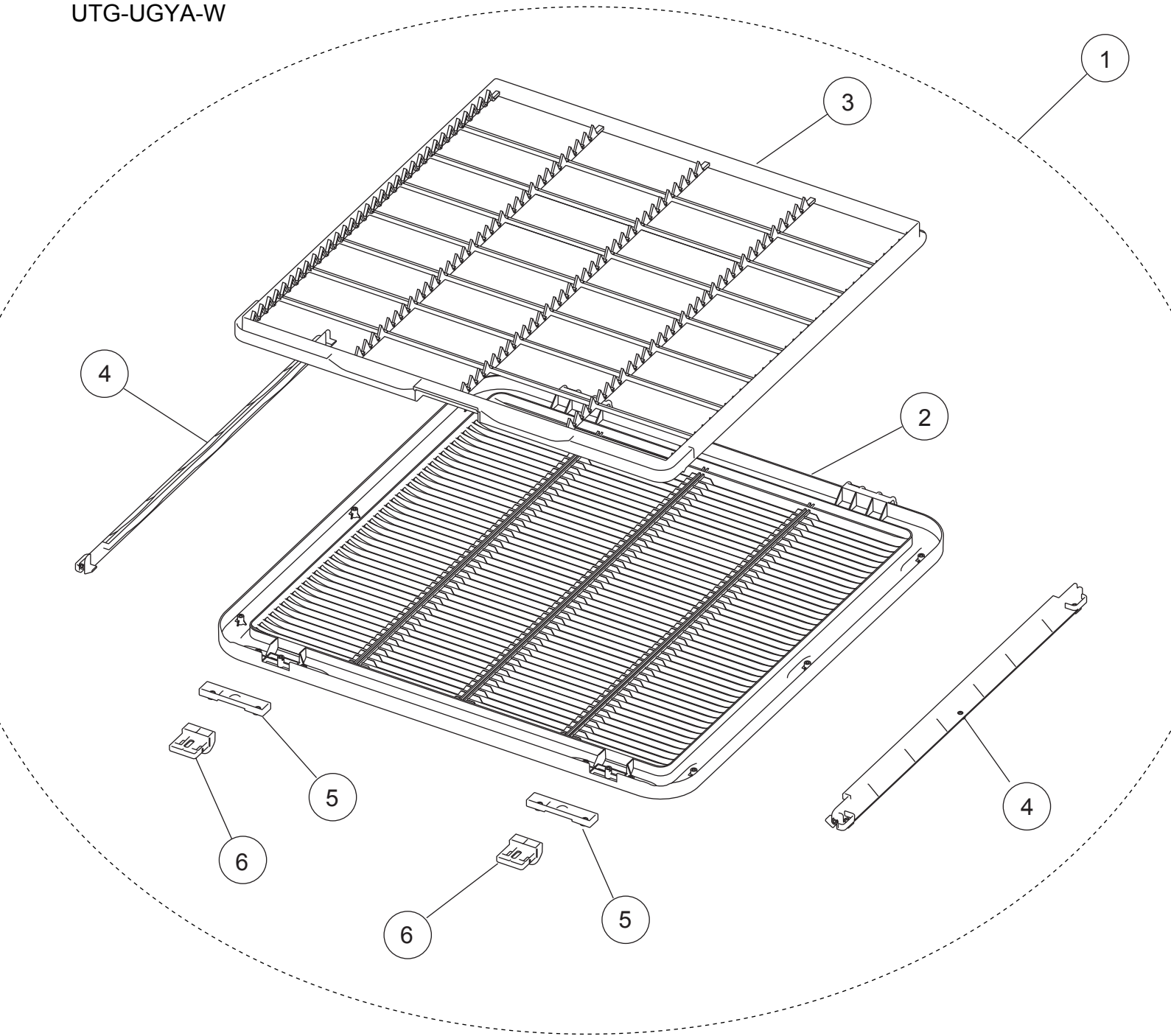
PUMP DOWN is completed.

(Note)

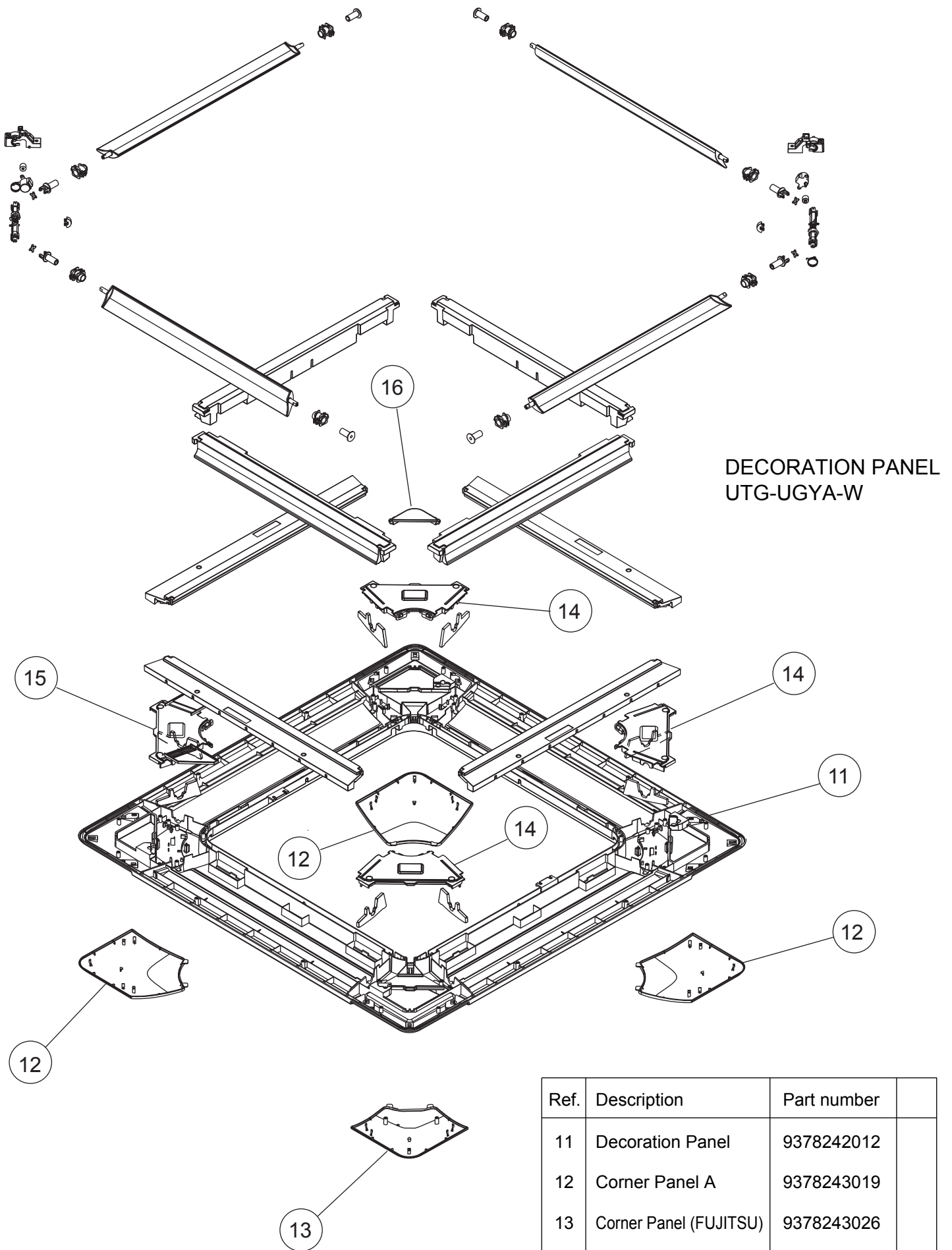
- To stop pump down, press the [PUMP DOWN] button again.
- To start the pump down again after the compressor is automatically stopped due to an error, turn the power off and open the 3-way valves. Wait 3 minutes, turn the power on and start the pump down again.
- When starting the operation after completion of the pump down, turn the power off, and then open the 3-way valves. Wait 3 minutes, turn the power on and perform a test run in the "COOL" operation mode.
- If an error occurs, recover the refrigerant from service port.

PARTS

DECORATION PANEL
UTG-UGYA-W

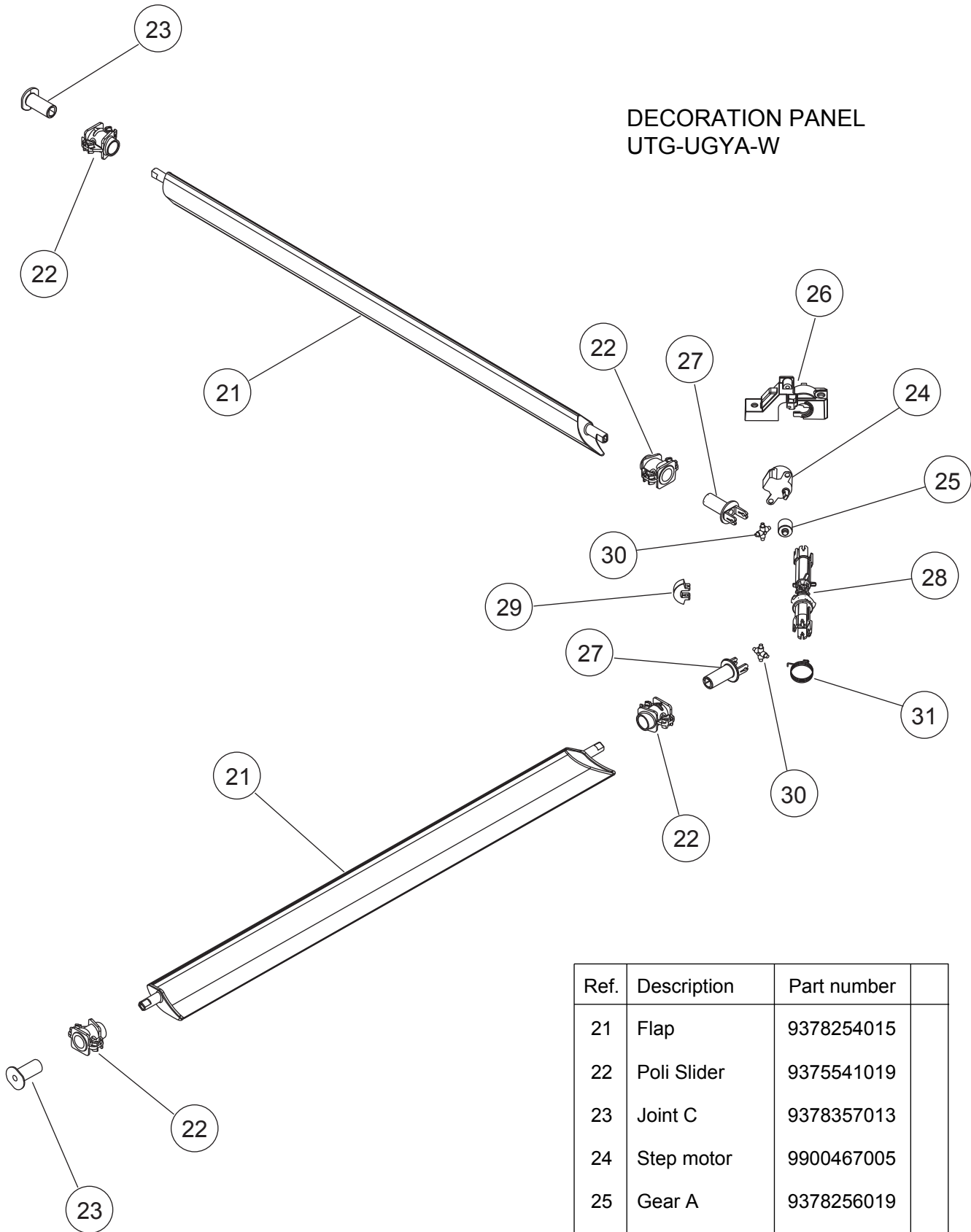


Ref.	Description	Part number
1	Intake Grille Assy	9378565012
2	Intake Grille	9378249011
3	Long Life Filter	9378252011
4	Filter Guide	9378253018
5	Hook Bracket	9378435018
6	Grille Hook	9378250017



Ref.	Description	Part number	
11	Decoration Panel	9378242012	
12	Corner Panel A	9378243019	
13	Corner Panel (FUJITSU)	9378243026	
14	Panel Cover A	9378261013	
15	Panel Cover B	9378262010	
16	Drain Cover	9378359017	

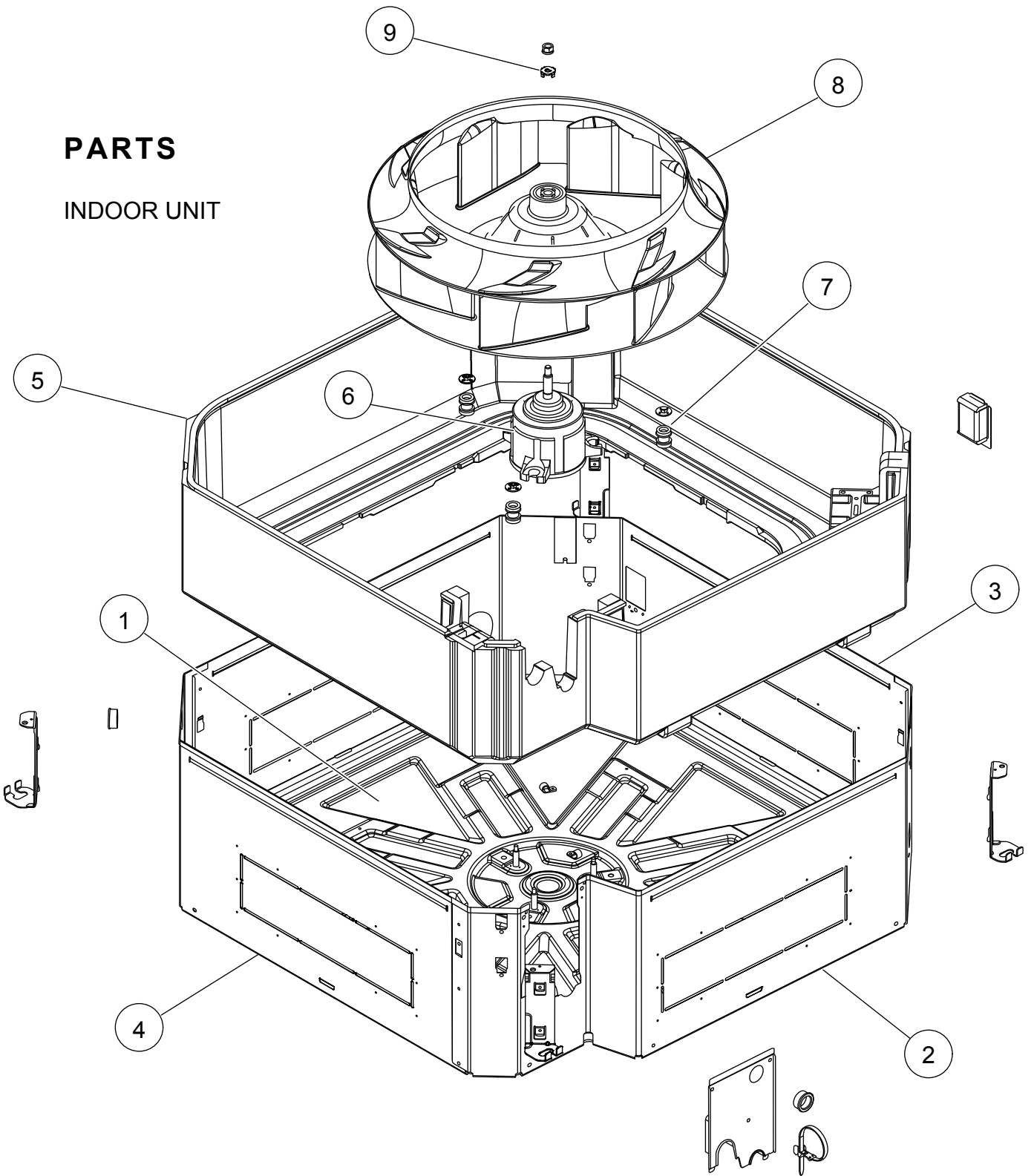
DECORATION PANEL
UTG-UGYA-W



Ref.	Description	Part number
21	Flap	9378254015
22	Poli Slider	9375541019
23	Joint C	9378357013
24	Step motor	9900467005
25	Gear A	9378256019
26	Motor Holder	9378255012
27	Joint A	9378258013
28	Joint B	9378259010
29	Gear B	9378257016
30	Joint Shaft	9378260016
31	Flap Spring	9378356016

PARTS

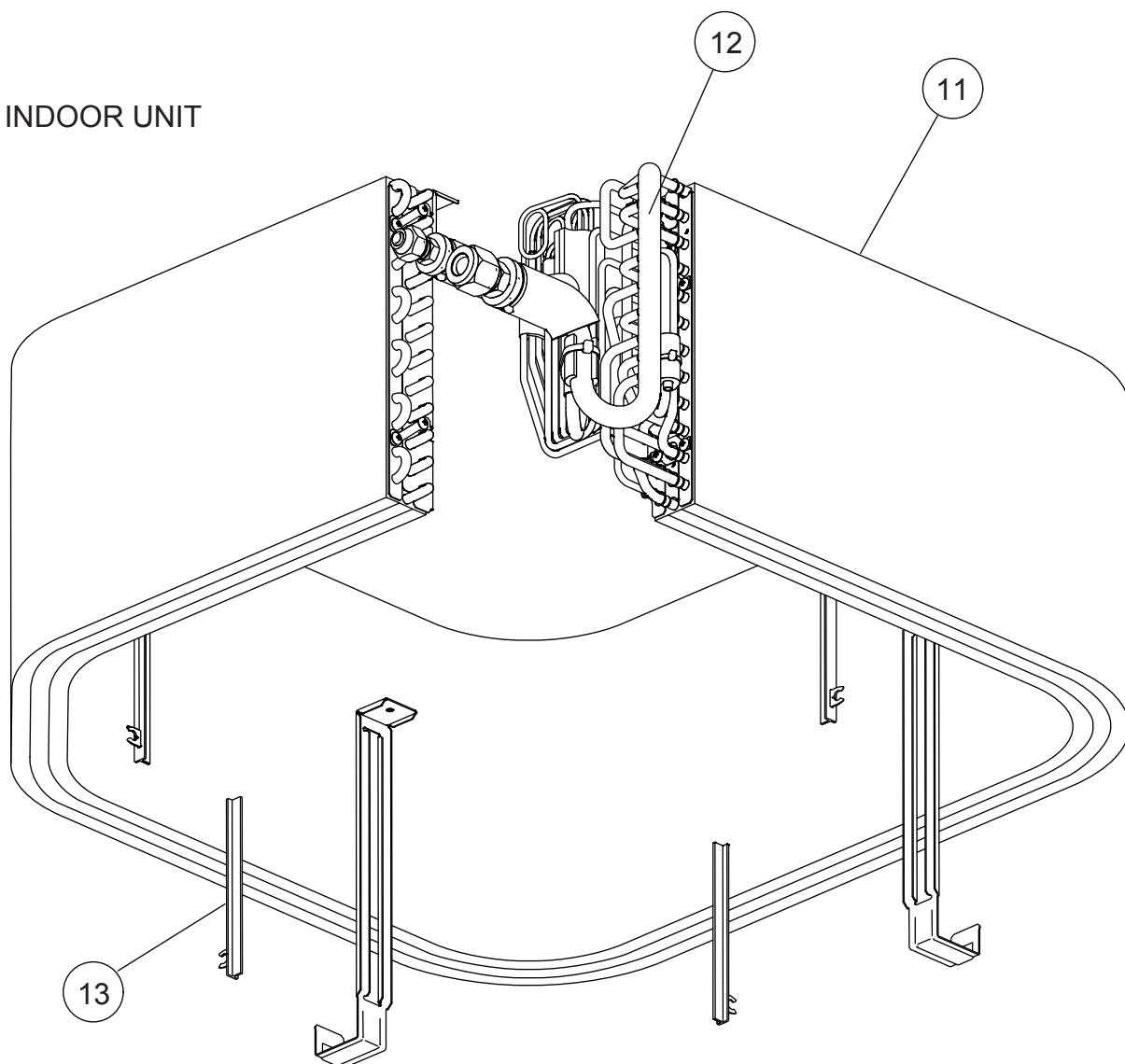
INDOOR UNIT



Ref.	Description	Part number
1	Top Plate Assy	9378395015
2	Cabinet A Sub Assy	9378594012
3	Cabinet B Sub Assy	9378595019
4	Cabinet C Sub Assy	9378570016
5	Insulation Box Sub Assy	9378582026

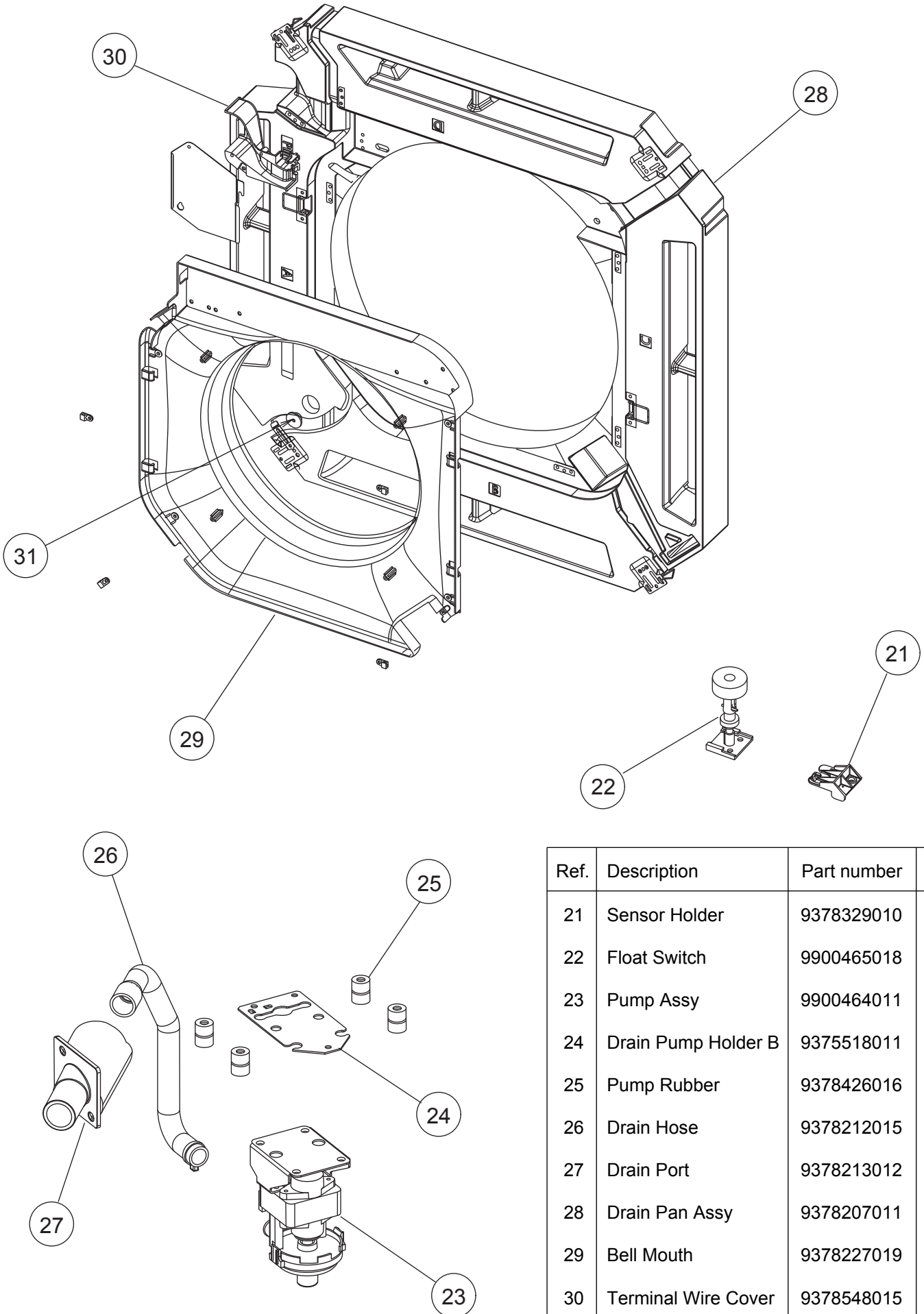
Ref.	Description	Part number
6	Motor, DC Brushless	9602716005
7	Motor Rubber	9378223011
8	Turbo Fan Assy	9378228016
9	Turbo Fan Washer	9378394018

INDOOR UNIT



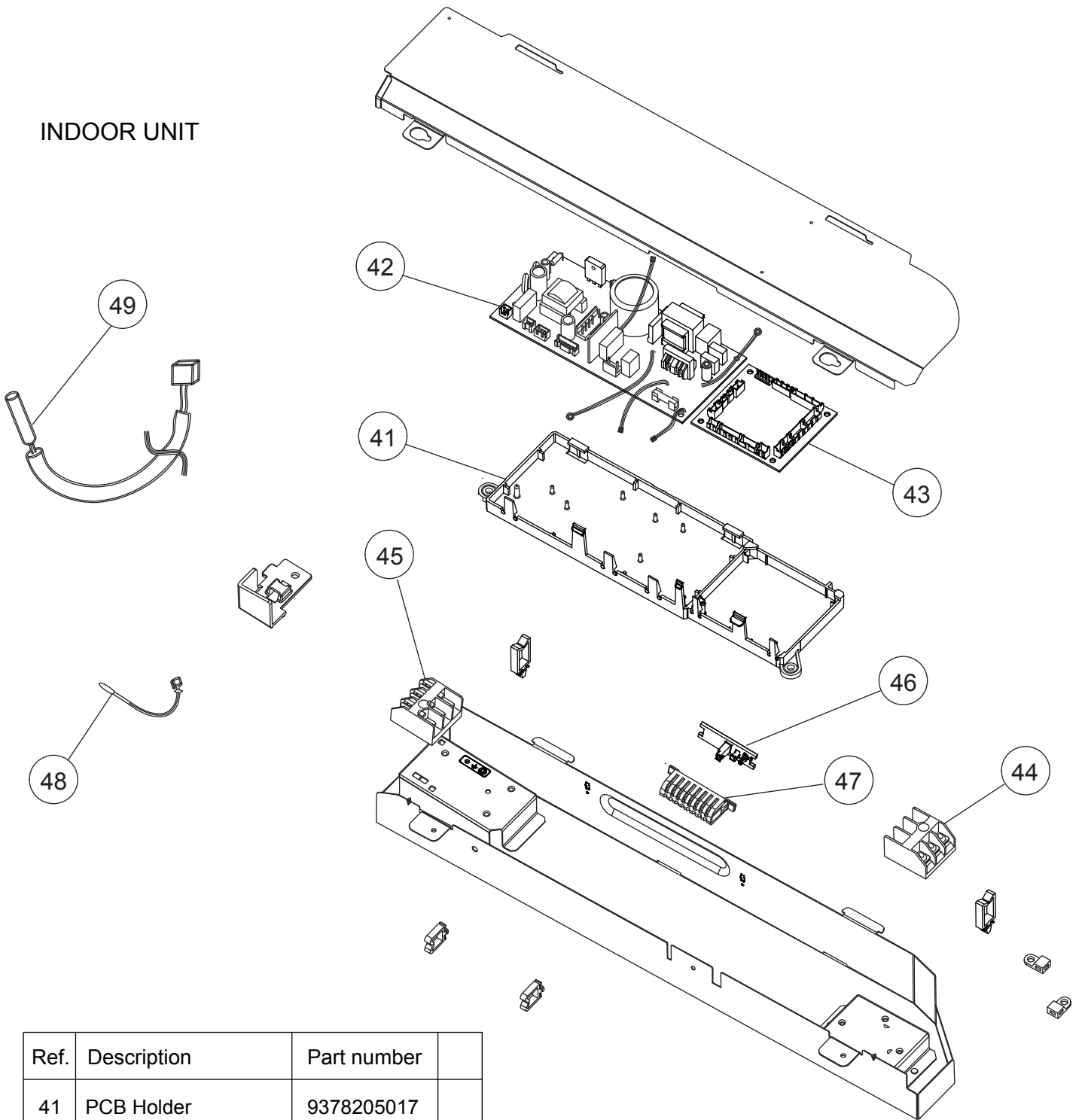
Ref.	Description	Part number	
11	Evaporator Total Assy	9378580053	
12	Coupling Pipe Assy	9373038627	
13	Wind Guide Board	9378236011	

INDOOR UNIT

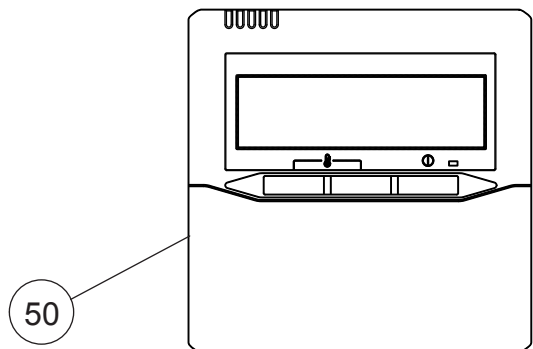


Ref.	Description	Part number
21	Sensor Holder	9378329010
22	Float Switch	9900465018
23	Pump Assy	9900464011
24	Drain Pump Holder B	9375518011
25	Pump Rubber	9378426016
26	Drain Hose	9378212015
27	Drain Port	9378213012
28	Drain Pan Assy	9378207011
29	Bell Mouth	9378227019
30	Terminal Wire Cover	9378548015
31	Drain Cap	9375502010
--	Drain Hose	9379665001

INDOOR UNIT

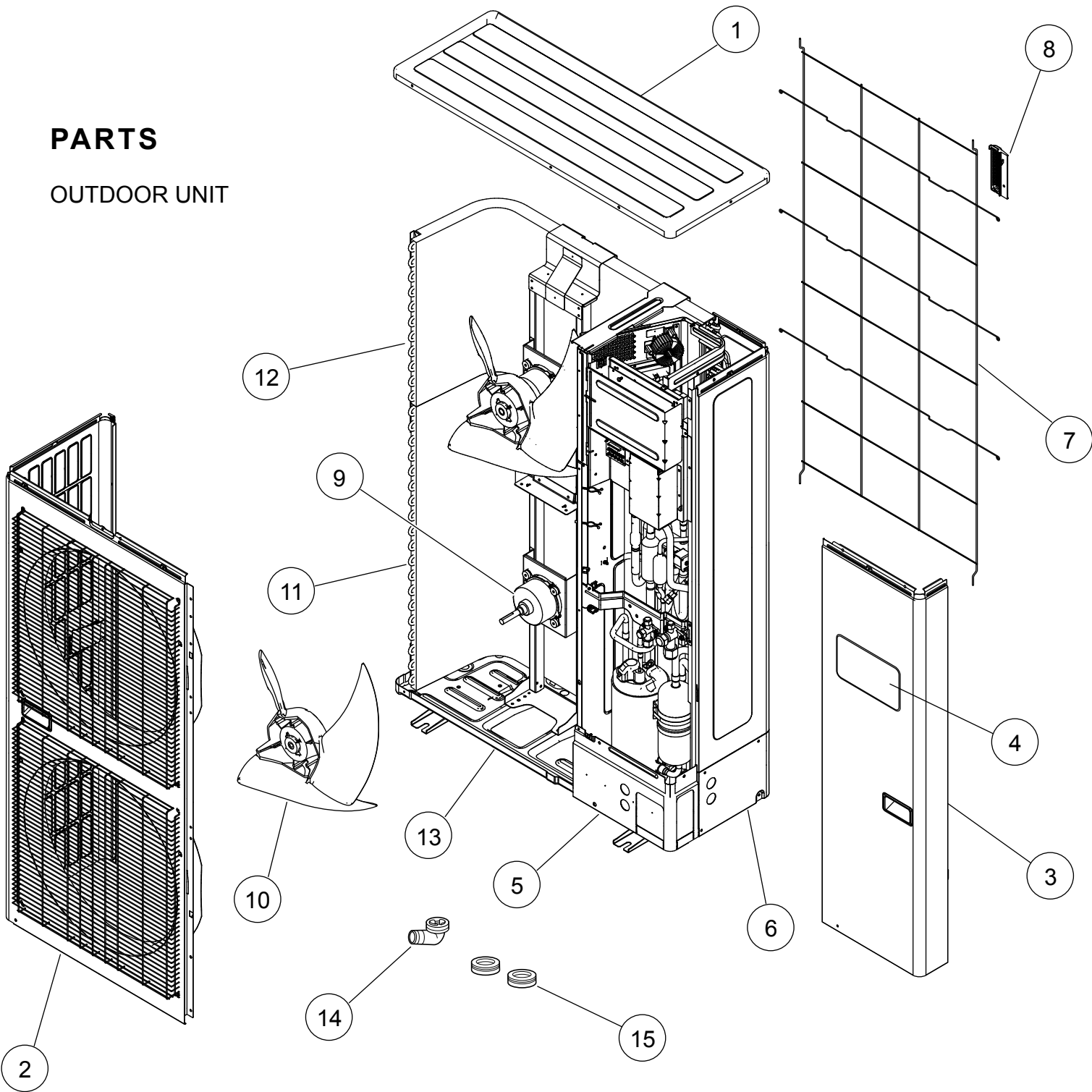


Ref.	Description	Part number
41	PCB Holder	9378205017
42	Power Supply PCB	9707398366
43	Main PCB (45)	9709245477
43	Main PCB (54)	9709245484
44	Terminal 3P	9306489045
45	Terminal 3P	9703345012
46	Thermistor Holder A	9378206014
47	Thermistor Holder B	9378330016
48	Room Thermistor	9900445010
49	Pipe Thermistor	9900470012
50	Remote Control	9318593013



PARTS

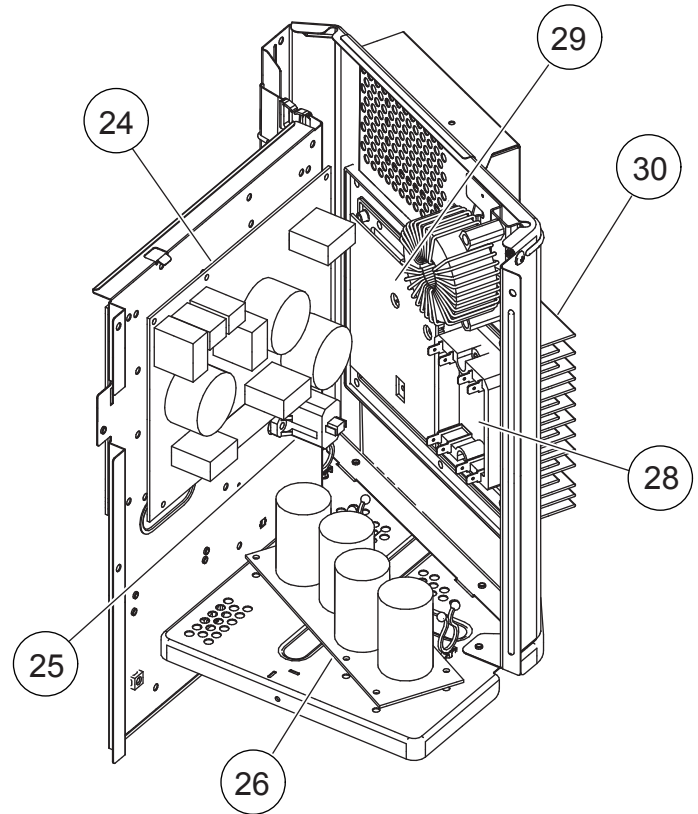
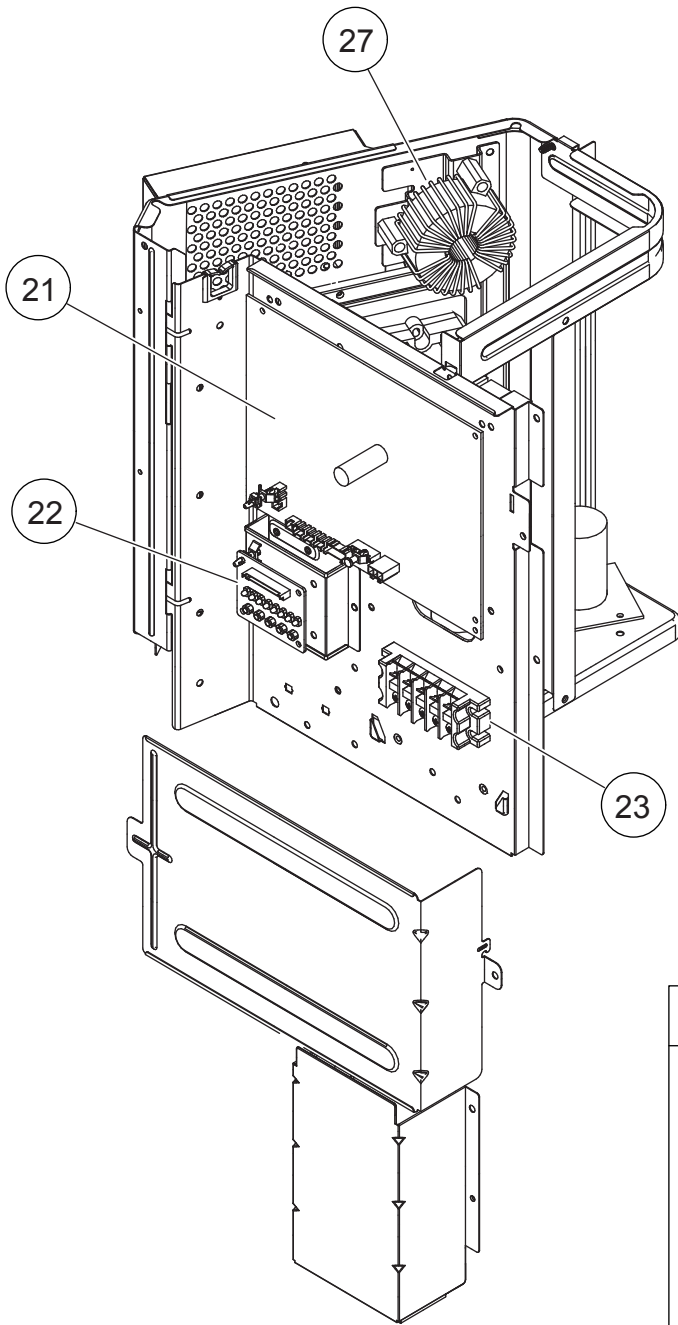
OUTDOOR UNIT



Ref.	Description	Parts number
1	Top Panel Sub Assy	9374417056
2	Front Panel Sub Assy	9374414109
3	Service Panel Sub Assy	9374415090
4	Emblem Rear	9351355005
5	Pipe Cover Front	9378861015
6	Right Panel Sub Assy	9374416189
7	Protective Net	9375381042
8	Thermo Holder	9375211011

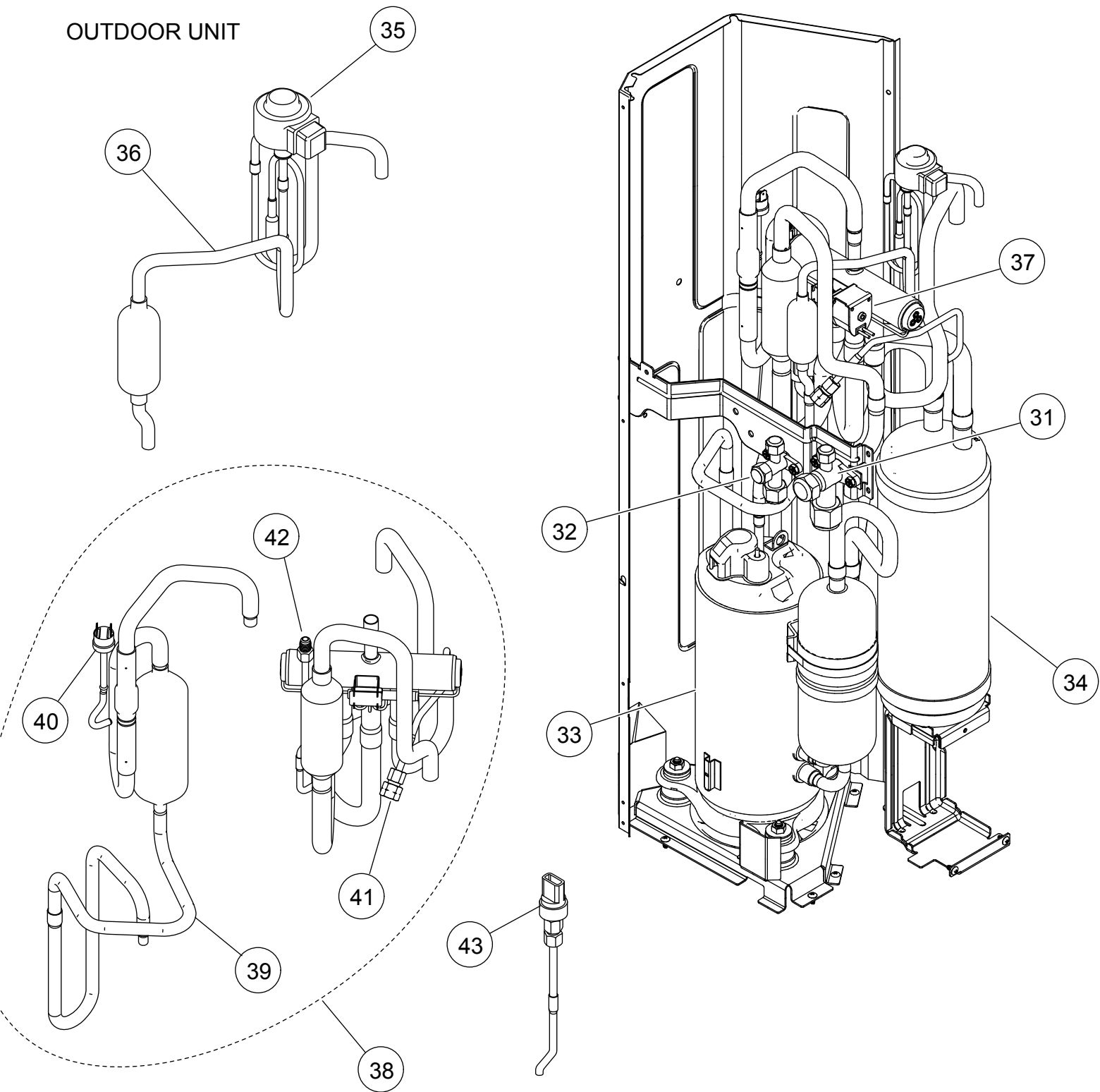
Ref.	Description	Parts number
9	Motor DC Brushless	9602843039
10	Propeller Fan Assy	9366378020
11	Condenser A Sub Assy	9374420261
12	Condenser B Sub Assy	9374422081
13	Base Assy	9374166220
14	Drain Assy	9303029015
15	Drain Cap	313166024302

OUTDOOR UNIT
Control box



Ref.	Description	Parts number
21	Main PCB (AOYG45LETL)	9708690148
21	Main PCB (AOYG54LETL)	9708690155
22	Indicator PCB	9708678016
23	Terminal	9900203023
24	Filter PCB	9708688015
25	Thermistor	9704265012
26	Capacitor PCB	9707257083
27	Choke Coil	9900624019
28	ACTPM	9707592016
29	Transistor PCB	9708647043
30	Heat Sink	9380358008
--	Outdoor Thermistor	9900210069
--	Thermistor Assy (CN63)	9900599027
--	Thermistor Assy (CN62)	9900598013

OUTDOOR UNIT


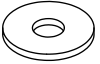
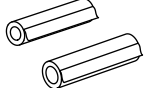

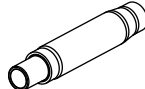



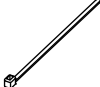





Ref.	Description	Parts number
31	3-way Valve Assy	9379079006
32	3-way Valve Assy	9379077002
33	Compressor	9810153005
34	Accumulator	9379014021
35	Expansion Valve Coil	9970096044
36	Expansion Valve Assy	9370947243
37	Solenoid	9970055072

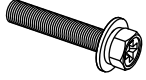
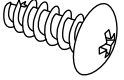
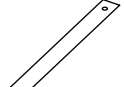
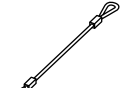
Ref.	Description	Parts number
38	4-way Valve Assy	9374425235
39	Discharge Pipe Assy	9371581248
40	Pressure Switch	9900186012
41	Check Joint Assy	9372802038
42	Union joint Assy	9379068000
43	Sensor	9900505080

ACCESSORIES

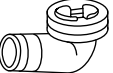



INDOOR UNIT

Name and Shape	Q'ty	Use	Part number
Template (Carton top) 	1	For installing indoor unit	9378552029
Washer 	8	For installing indoor unit	0700132278
Coupler heat insulation 	2	For indoor side pipe joint	Large:9378173569 Small:9378173521
Insulation 	1	For installing drain pipe	9314450419
Drain hose 	1	For installing drain pipe	9379665001
Hose band 	1	For installing drain pipe	9379757010
Drain hose heat insulation 	1	For installing drain pipe	9378601017
Cable tie (Large) 	3	For electrical wiring	313035356905
Cable tie (Small) 	1	For electrical wiring	313361275805
Wired remote control 	1		9318593013
Remote control cord 	1	For connecting remote control	9372714010
Tapping screw (ϕ 4 x 16) 	2	For installing remote control	0700181108

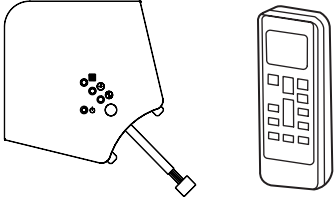
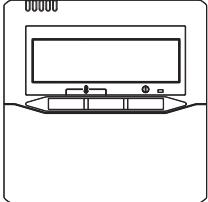

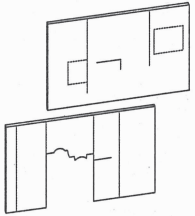
DECORATION PANEL

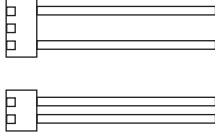
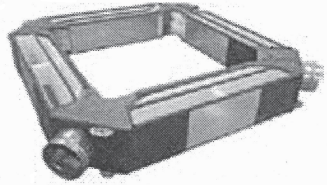
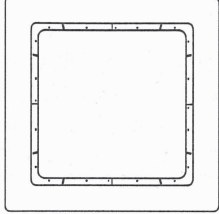
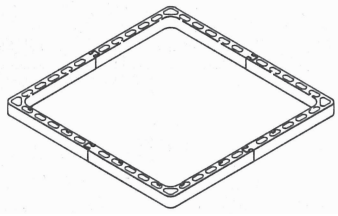
Name and Shape	Q'ty	Use	Part number
Hexigon Screw 	4	For mounting decoration panel	0700087103
Screw 	4	For installing grille holding wire	0700009037
Strap 	4	For installing corner panel	9378558014
Grille holding Wire 	2	For installing intake grille	9378597020

OUTDOOR UNIT

Name and Shape	Q'ty	Use	Part number
Drain pipe 	1	For drain piping work	9303029015
Drain cap 	2		313166024302
Binder 	3	For binding power supply cable and connection cable	9374688012
One-touch bush 	2	For power supply cable and connection cable installation	9378779013

OPTIONAL PARTS

Parts name and model name	Use
IR receiver unit UTY-LRHYA2 	For air conditioner operation
Wired Remote Control UTY-RNNYM 	For air conditioner operation
Air outlet shutter plate UTR-YDZC 	Install the plate at outlet when carrying out 3-way direction operation
Insulation kit for High humidity UTZ-KXGA 	

Parts name and model name	Use
External connect kit UTY-XWZX 	Use to connect with various peripheral devices and air conditioner PCB.
Fresh air intake kit UTZ-VXGA 	To take fresh air
Wide panel UTG-AGYA-W 	Wide panel hides the gap between the ceiling hole and the Decoration panel.
Panel spacer UTG-BGYA-W 	Installation in a space of 256 mm or greater is possible by using panel spacer when the height behind the ceiling is low.

Wired remote control is recommended using simultaneous twin or triple connection.

1301G4161