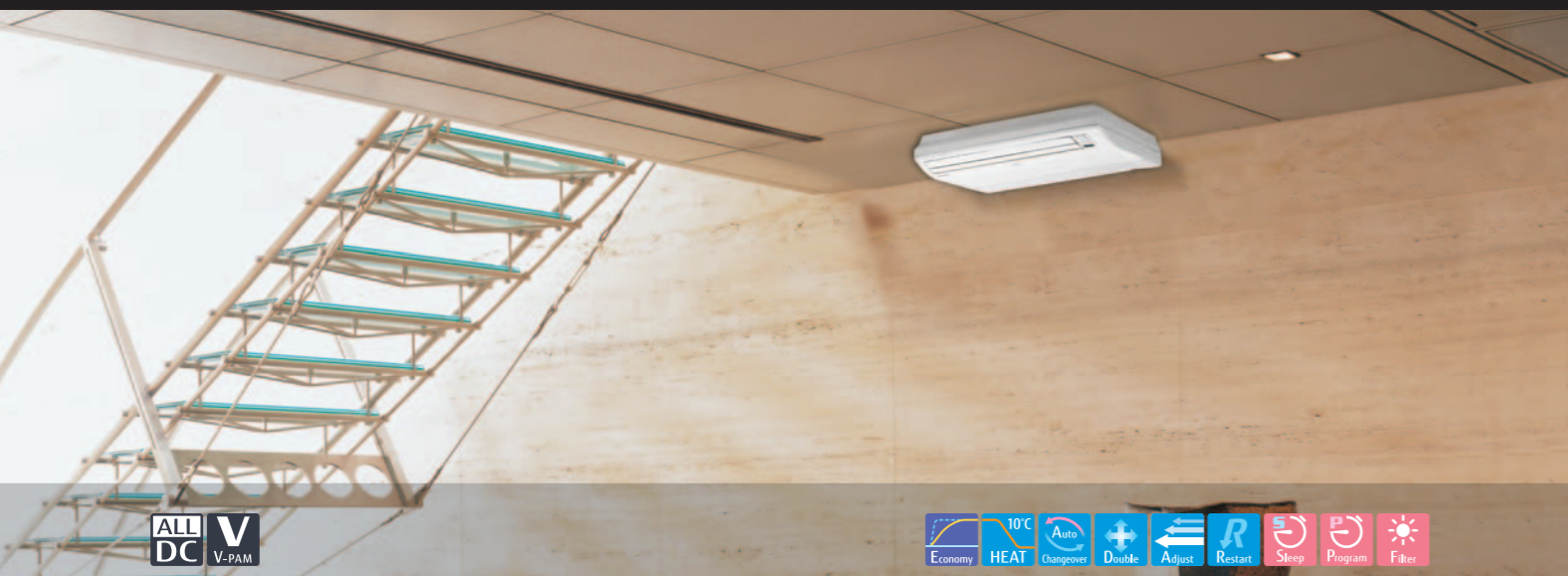


# Floor/Ceiling Comfort & Dual Design



## Features

### Flexible installation

#### Example for floor installation

Floor console



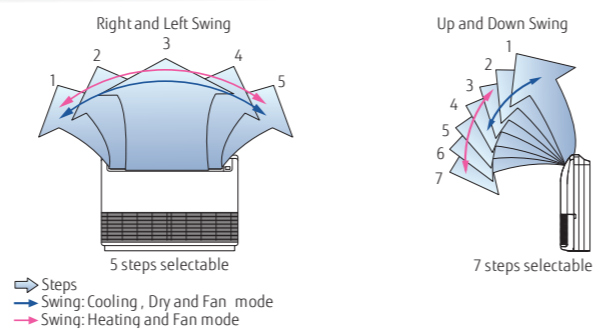
#### Example for ceiling installation

Under ceiling



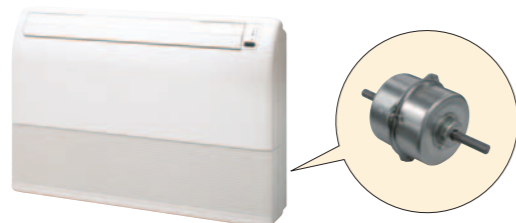
### Double auto swing

A combination of right/left and up/down directional swing allows 3-dimensional air direction control

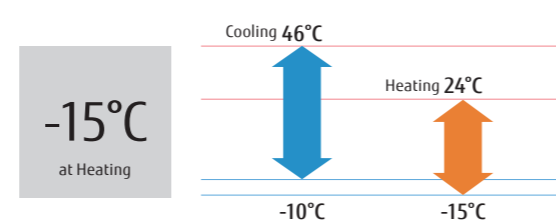


### High power DC fan motor

- High power
- Wide rotation range
- High efficiency



### Low ambient operation



## Model : ABYG18LVTB / ABYG24LVTA



Wireless R.C.



For ABYG18LVTB



For ABYG24LVTA

## Specifications

Model No.	Indoor unit		ABYG18LVTB		ABYG24LVTA	
	Outdoor unit		AOYG18LALL		AOYG24LALA	
Power Source	Single-phase, ~230V, 50Hz					
Capacity	Cooling	kW	5.2 (0.9-5.9)		6.8 (0.9-8.0)	
	Heating	kW	6.0 (0.9-7.5)		8.0 (0.9-9.1)	
Input Power	Cooling/Heating		1.62/1.66		2.21/2.26	
	EER	Cooling	3.21		3.08	
COP		Heating	3.61		3.54	
	Pdesign	Cooling/Heating(-10°C)		5.2/5.2		6.8/6.0
SEER		Cooling	6.10		5.60	
	SCOP	Heating (Average)		4.00		3.90
Energy Efficiency Class		Cooling	A++		A+	
	Max. Operating Current	Heating (Average)		A+		A
Annual Energy Consumption		Cooling/Heating	A		12.0/13.5	
	Moisture Removal	Cooling	298		425	
Sound Pressure Level		Heating	1819		2150	
	Sound Power Level	Cooling	2.0		2.7	
Airflow Rate		Indoor (Cooling)	H/M/L/Q	43/40/34/31		48/44/40/35
	Net Dimensions	Indoor (Heating)	H/M/L/Q	43/40/34/31		48/44/40/35
H x W x D		Outdoor(Cooling/Heating)	High	50/50		52/53
	Weight	Indoor(Cooling/Heating)	High	57/57		61/61
Connection Pipe Diameter (Liquid / Gas)		Outdoor(Cooling/Heating)	High	62/65		67/70
	Drain hose Diameter (I.D./O.D.)	Indoor / Outdoor	High	780/2000		980/2470
Max Pipe Length (Pre-Charge)		Indoor	mm	199×990×655		199×990×655
	Max Height Difference	Indoor	kg(lbs)	27 (59)		27 (59)
Operation Range		Outdoor	mm	578×790×300		578×790×315
	Refrigerant	Outdoor	kg(lbs)	40 (88)		44 (97)
Type (Global Warming Potential)		Cooling	mm	6.35/12.70		6.35/15.88
	Charge	Heating	m	25/32		25/32
Refrigerant		Cooling	°CDB	-10 to 46		-10 to 46
	Type (Global Warming Potential)	Heating	°CDB	-15 to 24		-15 to 24
Charge		Cooling	g	1,250		1,700
	Charge	Heating	g	1,250		1,700

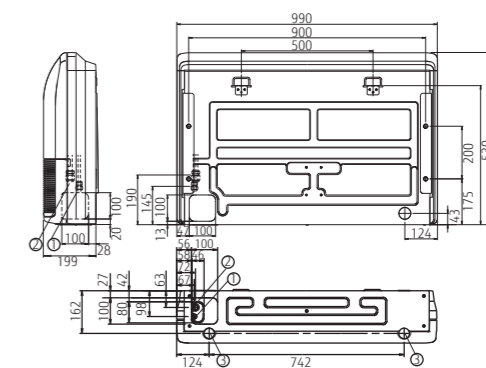
## Optional parts

Wired Remote Controller: UTY-RNNYM, UTY-RVNYM

Simple Remote Controller: UTY-RSNYM

## Dimensions

(Unit : mm)



- ① Refrigerant piping flare connection (Liquid)
- ② Refrigerant piping flare connection (Gas)
- ③ Drain piping connection