

SERVICE MANUAL



Outdoor unit	Indoor unit
AOYG18LAT3	ASYG07LJCA
	ASYG09LJCA
	ASYG12LJCA
	ASYG07LUCA
	ASYG09LUCA
	ASYG12LUCA
	ASYG14LUCA
	AUYG07LVLA
	AUYG09LVLA
	AUYG12LVLA
	AUYG14LVLA
	UTG-UFYD-W
	AGYG09LVCA
	AGYG12LVCA
	AGYG14LVCA
	ARYG07LLTA
	ARYG09LLTA
ARYG12LLTA	
ARYG14LLTA	
ABYG14LVTA	
AOYG24LAT3	ASYG07LJCA
	ASYG09LJCA
	ASYG12LJCA
	ASYG07LUCA
	ASYG09LUCA
	ASYG12LUCA
	ASYG14LUCA
	ASYG18LFCA
	AUYG07LVLA
	AUYG09LVLA
	AUYG12LVLA
	AUYG14LVLA
	AUYG18LVLA
	UTG-UFYD-W
	AGYG09LVCA
	AGYG12LVCA
	AGYG14LVCA
ARYG07LLTA	
ARYG09LLTA	
ARYG12LLTA	
ARYG14LLTA	
ARYG18LLTA	
ABYG14LVTA	
ABYG18LVTA	

CONTENTS

SPECIFICATIONS.....	1
DIMENSIONS.....	9
REFRIGERANT SYSTEM DIAGRAM ...	18
CIRCUIT DIAGRAM.....	19
OUTDOOR PCB CIRCUIT DIAGRAM... ..	27
INDOOR PCB CIRCUIT DIAGRAM.....	30
ERROR DETECTION.....	53
PARTS (OUTDOOR UNIT).....	55
PARTS (INDOOR UNIT).....	59
ACCESSORIES.....	97

SPECIFICATIONS

OUTDOOR UNIT

ELECTRICAL SPECIFICATIONS

TYPE		Three room multi inverter system	
MODEL NAME		AOYG18LAT3	AOYG24LAT3
COOLING CAPACITY		5.4 kW	6.8 kW
HEATING CAPACITY		6.8 kW	8.0 kW
POWER SUPPLY		230V	
FREQUENCY		50 Hz	
RUNNING CURRENT	Cooling	5.9 A	8.5 A
	Heating	7.1 A	8.8 A
INPUT	Cooling	1.35 kW	1.94 kW
	Heating	1.62 kW	2.00 kW
EER	Cooling	4.00 kW/kW	3.50 kW/kW
	Heating	4.20 kW/kW	4.00 kW/kW
AIR CIRCULATION HIGH	Cooling	3,050 m ³ /hr	3,300 m ³ /hr
	Heating	2,750 m ³ /hr	3,300 m ³ /hr

FAN MOTOR

DISCRIMINATION	MFE-60TVT	
HIGH SPEED (COOL)	730 r.p.m.	780 r.p.m.
HIGH SPEED (HEAT)	660 r.p.m.	780 r.p.m.

NOISE LEVEL

HIGH SPEED (COOL)	46 dB	48 dB
HIGH SPEED (HEAT)	47 dB	49 dB

COMPRESSOR AND REFRIGERANT

TYPE		Hermetic type, Inverter, 4 poles, 3-phase, DC motor, Twin Rotary
DISCRIMINATION		DA150A1F-20NA
WEIGHT (with oil)		10.0 kg
PRECHARGED REFRIGERANT		2,200 g
REFRIGERANT TYPE		R410A
FULL CHARGE	Total pipe length 30 m	2,200 g
	40 m	2,400 g
	50 m	2,600 g
ADDITIONAL CHARGE		20 g/m
MAXIMUM PIPE LENGTH (total)		50 m
MINIMUM PIPE LENGTH (total)		15 m
MAXIMUM PIPE LENGTH (each unit)		25 m
MINIMUM PIPE LENGTH (each unit)		5 m
MAX ELEVATION (between indoor units)		10 m
MAX ELEVATION (between indoor and outdoor)		15 m

MEASUREMENT

DIMENSIONS	H x W x D	700 x 900 x 330 mm
WEIGHT	Net / Shipping	55 kg / 63 kg

INDOOR UNIT
COMPACT WALL MOUNTED

ELECTRICAL DATA

MODEL NAME	ASYG07LJCA	ASYG09LJCA	ASYG12LJCA
CAPACITY	2.0 kW class	2.5 kW class	3.5 kW class

FAN MOTOR

DISCRIMINATION			MFD-12TYAN		
FAN SPEED	Cooling	High	1,050 r.p.m.	1,100 r.p.m.	1,200 r.p.m.
		Medium	950 r.p.m.	980 r.p.m.	1,050 r.p.m.
		Low	850 r.p.m.	850 r.p.m.	880 r.p.m.
		Quiet	680 r.p.m.	680 r.p.m.	680 r.p.m.
	Heating	High	1,050 r.p.m.	1,100 r.p.m.	1,200 r.p.m.
		Medium	950 r.p.m.	980 r.p.m.	1,050 r.p.m.
		Low	850 r.p.m.	850 r.p.m.	910 r.p.m.
		Quiet	710 r.p.m.	710 r.p.m.	710 r.p.m.
AIR FLOW	Cooling	High	560 m ³ /h	600 m ³ /h	660 m ³ /h
		Medium	500 m ³ /h	520 m ³ /h	560 m ³ /h
		Low	430 m ³ /h	430 m ³ /h	450 m ³ /h
		Quiet	310 m ³ /h	310 m ³ /h	310 m ³ /h
	Heating	High	560 m ³ /h	600 m ³ /h	660 m ³ /h
		Medium	500 m ³ /h	520 m ³ /h	560 m ³ /h
		Low	430 m ³ /h	430 m ³ /h	470 m ³ /h
		Quiet	330 m ³ /h	330 m ³ /h	330 m ³ /h
NOISE LEVEL	Cooling	High	36 dB(A)	37 dB(A)	40 dB(A)
		Medium	32 dB(A)	33 dB(A)	36 dB(A)
		Low	29 dB(A)	29 dB(A)	30 dB(A)
		Quiet	21 dB(A)	21 dB(A)	21 dB(A)
	Heating	High	36 dB(A)	37 dB(A)	40 dB(A)
		Medium	32 dB(A)	33 dB(A)	36 dB(A)
		Low	29 dB(A)	29 dB(A)	31 dB(A)
		Quiet	22 dB(A)	22 dB(A)	22 dB(A)

MEASUREMENTS

DIMENSIONS	H x W x D	280 x 790 x 203 mm
WEIGHT	Net / Shipping	8.0 kg / 10.5 kg

improper

INDOOR UNIT
COMPACT WALL MOUNTED

ELECTRICAL DATA

MODEL NAME	ASYG07LUCA	ASYG09LUCA	ASYG12LUCA	ASYG14LUCA
CAPACITY	2.0 kW class	2.5 kW class	3.5 kW class	4.0 kW class

FAN MOTOR

DISCRIMINATION			MFD-12TYL			
FAN SPEED	Cooling	High	1,140 r.p.m.	1,300 r.p.m.	1,370 r.p.m.	1,440 r.p.m.
		Medium	1,050 r.p.m.	1,080 r.p.m.	1,120 r.p.m.	1,220 r.p.m.
		Low	930 r.p.m.	960 r.p.m.	960 r.p.m.	980 r.p.m.
		Quiet	650 r.p.m.	650 r.p.m.	650 r.p.m.	740 r.p.m.
	Heating	High	1,180 r.p.m.	1,300 r.p.m.	1,370 r.p.m.	1,510 r.p.m.
		Medium	1,050 r.p.m.	1,120 r.p.m.	1,180 r.p.m.	1,220 r.p.m.
		Low	930 r.p.m.	960 r.p.m.	960 r.p.m.	1,030 r.p.m.
		Quiet	650 r.p.m.	650 r.p.m.	650 r.p.m.	790 r.p.m.
AIR FLOW	Cooling	High	570 m ³ /h	600 m ³ /h	660 m ³ /h	710 m ³ /h
		Medium	520 m ³ /h	550 m ³ /h	600 m ³ /h	640 m ³ /h
		Low	470 m ³ /h	470 m ³ /h	530 m ³ /h	570 m ³ /h
		Quiet	330 m ³ /h	330 m ³ /h	330 m ³ /h	390 m ³ /h
	Heating	High	570 m ³ /h	600 m ³ /h	660 m ³ /h	710 m ³ /h
		Medium	520 m ³ /h	550 m ³ /h	600 m ³ /h	640 m ³ /h
		Low	470 m ³ /h	470 m ³ /h	530 m ³ /h	590 m ³ /h
		Quiet	330 m ³ /h	330 m ³ /h	330 m ³ /h	430 m ³ /h
NOISE LEVEL	Cooling	High	38 dB(A)	42 dB(A)	43 dB(A)	45 dB(A)
		Medium	35 dB(A)	36 dB(A)	37 dB(A)	40 dB(A)
		Low	31 dB(A)	32 dB(A)	32 dB(A)	33 dB(A)
		Quiet	21 dB(A)	21 dB(A)	21 dB(A)	25 dB(A)
	Heating	High	38 dB(A)	42 dB(A)	43 dB(A)	45 dB(A)
		Medium	35 dB(A)	37 dB(A)	38 dB(A)	40 dB(A)
		Low	31 dB(A)	32 dB(A)	32 dB(A)	34 dB(A)
		Quiet	21 dB(A)	21 dB(A)	21 dB(A)	27 dB(A)

MEASUREMENTS

DIMENSIONS	H x W x D	282 x 870 x 185 mm
WEIGHT	Net / Shipping	9.5 kg / 12 kg

**INDOOR UNIT
WALL MOUNTED**

ELECTRICAL DATA

MODEL NAME	ASYG18LFCA
CAPACITY	5.0 kW class

FAN MOTOR

DISCRIMINATION			MFD-50RON
FAN SPEED	Cooling	High	1,220 r.p.m.
		Medium	1,020 r.p.m.
		Low	900 r.p.m.
		Quiet	710 r.p.m.
	Heating	High	1,220 r.p.m.
		Medium	1,020 r.p.m.
		Low	900 r.p.m.
		Quiet	710 r.p.m.
AIR FLOW	Cooling	High	900 m ³ /h
		Medium	740 m ³ /h
		Low	620 m ³ /h
		Quiet	550 m ³ /h
	Heating	High	900 m ³ /h
		Medium	740 m ³ /h
		Low	620 m ³ /h
		Quiet	550 m ³ /h
NOISE LEVEL	Cooling	High	43 dB(A)
		Medium	37 dB(A)
		Low	33 dB(A)
		Quiet	26 dB(A)
	Heating	High	42 dB(A)
		Medium	37 dB(A)
		Low	33 dB(A)
		Quiet	25 dB(A)

MEASUREMENTS

DIMENSIONS	H x W x D	320 x 998 x 238 mm
WEIGHT	Net / Shipping	14 kg / 18 kg

INDOOR UNIT
COMPACT CASSETTE

ELECTRICAL DATA

MODEL NAME	AUYG07LVLA	AUYG09LVLA	AUYG12LVLA	AUYG14LVLA	AUYG18LVLA
CAPACITY	2.0 kW class	2.5 kW class	3.5 kW class	4.0 kW class	5.0 kW class

FAN MOTOR

DISCRIMINATION			MFF-24RVL				
FAN SPEED	Cooling	High	590 r.p.m.	590 r.p.m.	660 r.p.m.	730 r.p.m.	790 r.p.m.
		Medium	540 r.p.m.	540 r.p.m.	580 r.p.m.	630 r.p.m.	660 r.p.m.
		Low	490 r.p.m.	490 r.p.m.	520 r.p.m.	540 r.p.m.	570 r.p.m.
		Quiet	440 r.p.m.	440 r.p.m.	460 r.p.m.	460 r.p.m.	460 r.p.m.
	Heating	High	590 r.p.m.	590 r.p.m.	650 r.p.m.	740 r.p.m.	840 r.p.m.
		Medium	540 r.p.m.	540 r.p.m.	580 r.p.m.	670 r.p.m.	750 r.p.m.
		Low	490 r.p.m.	490 r.p.m.	520 r.p.m.	600 r.p.m.	650 r.p.m.
		Quiet	440 r.p.m.	440 r.p.m.	460 r.p.m.	480 r.p.m.	500 r.p.m.
AIR FLOW	Cooling	High	540 m ³ /h	540 m ³ /h	610 m ³ /h	680 m ³ /h	750 m ³ /h
		Medium	490 m ³ /h	490 m ³ /h	530 m ³ /h	580 m ³ /h	610 m ³ /h
		Low	440 m ³ /h	440 m ³ /h	470 m ³ /h	490 m ³ /h	520 m ³ /h
		Quiet	390 m ³ /h	390 m ³ /h	410 m ³ /h	410 m ³ /h	410 m ³ /h
	Heating	High	540 m ³ /h	540 m ³ /h	610 m ³ /h	700 m ³ /h	800 m ³ /h
		Medium	490 m ³ /h	490 m ³ /h	530 m ³ /h	620 m ³ /h	710 m ³ /h
		Low	440 m ³ /h	440 m ³ /h	470 m ³ /h	550 m ³ /h	600 m ³ /h
		Quiet	390 m ³ /h	390 m ³ /h	410 m ³ /h	430 m ³ /h	450 m ³ /h
NOISE LEVEL	Cooling	High	33 dB(A)	33 dB(A)	37 dB(A)	40 dB(A)	42 dB(A)
		Medium	31 dB(A)	31 dB(A)	33 dB(A)	35 dB(A)	37 dB(A)
		Low	29 dB(A)	29 dB(A)	31 dB(A)	32 dB(A)	33 dB(A)
		Quiet	27 dB(A)	27 dB(A)	28 dB(A)	29 dB(A)	29 dB(A)
	Heating	High	34 dB(A)	34 dB(A)	37 dB(A)	40 dB(A)	44 dB(A)
		Medium	32 dB(A)	32 dB(A)	33 dB(A)	37 dB(A)	40 dB(A)
		Low	29 dB(A)	29 dB(A)	31 dB(A)	34 dB(A)	37 dB(A)
		Quiet	27 dB(A)	27 dB(A)	28 dB(A)	29 dB(A)	30 dB(A)

MEASUREMENTS

DIMENSIONS	H x W x D	245 x 570 x 570 mm
WEIGHT	Net / Shipping	15 kg / 18 kg

PANEL

MEASUREMENTS

MODEL NAME	UTG-UFYD-W	
DIMENSIONS	H x W x D	49 x 700 x 700 mm
WEIGHT	Net / Shipping	2.6 kg / 4.5 kg

INDOOR UNIT
FLOOR

ELECTRICAL DATA

MODEL NAME	AGYG09LVCA	AGYG12LVCA	AGYG14LVCA
CAPACITY	2.5 kW class	3.5 kW class	4.0 kW class

FAN MOTOR

DISCRIMINATION		MFD-14TXN (upper) / MFD-14SXN (lower)			
FAN SPEED (upper fan / lower fan)	Cooling	High	1,120 / 950 r.p.m.	1,240 / 1,040 r.p.m.	1,330 / 1,120 r.p.m.
		Medium	960 / 820 r.p.m.	1,050 / 890 r.p.m.	1,100 / 930 r.p.m.
		Low	820 / 700 r.p.m.	860 / 730 r.p.m.	890 / 750 r.p.m.
		Quiet	660 / 560 r.p.m.	660 / 560 r.p.m.	660 / 560 r.p.m.
	Heating	High	1,120 / 950 r.p.m.	1,240 / 1,040 r.p.m.	1,330 / 1,120 r.p.m.
		Medium	1,000 / 850 r.p.m.	1,080 / 920 r.p.m.	1,140 / 970 r.p.m.
		Low	860 / 730 r.p.m.	910 / 770 r.p.m.	940 / 800 r.p.m.
		Quiet	660 / 560 r.p.m.	660 / 560 r.p.m.	660 / 560 r.p.m.
AIR CIRCULATION HIGH (2 fan running)	Cooling	High	530 m ³ /hr	600 m ³ /hr	650 m ³ /hr
		Medium	440 m ³ /hr	490 m ³ /hr	520 m ³ /hr
		Low	360 m ³ /hr	380 m ³ /hr	400 m ³ /hr
		Quiet	270 m ³ /hr	270 m ³ /hr	270 m ³ /hr
	Heating	High	530 m ³ /hr	600 m ³ /hr	650 m ³ /hr
		Medium	460 m ³ /hr	510 m ³ /hr	540 m ³ /hr
		Low	380 m ³ /hr	410 m ³ /hr	430 m ³ /hr
		Quiet	270 m ³ /hr	270 m ³ /hr	270 m ³ /hr
NOISE LEVEL	Cooling	High	39 dB(A)	42 dB(A)	44 dB(A)
		Medium	34 dB(A)	36 dB(A)	38 dB(A)
		Low	28 dB(A)	30 dB(A)	31 dB(A)
		Quiet	22 dB(A)	22 dB(A)	22 dB(A)
	Heating	High	39 dB(A)	42 dB(A)	44 dB(A)
		Medium	35 dB(A)	38 dB(A)	39 dB(A)
		Low	30 dB(A)	32 dB(A)	33 dB(A)
		Quiet	22 dB(A)	22 dB(A)	22 dB(A)

MEASUREMENT

DIMENSIONS	H x W x D	600 x 740 x 200 mm
WEIGHT	Net / Shipping	14 kg / 17 kg

INDOOR UNIT
SLIM DUCT

ELECTRICAL DATA

MODEL NAME	ARYG07LLTA	ARYG09LLTA	ARYG12LLTA	ARYG14LLTA	ARYG18LLTA
CAPACITY	2.0 kW class	2.5 kW class	3.5 kW class	4.0 kW class	5.0 kW class

FAN MOTOR

DISCRIMINATION		MFG-09WVL	MFG-14WV				MFG-24WV
FAN SPEED	Cooling	High	1,160 r.p.m.	1,260 r.p.m.	1,340 r.p.m.	1,560 r.p.m.	1,380 r.p.m.
		Medium	1,000 r.p.m.	1,160 r.p.m.	1,240 r.p.m.	1,400 r.p.m.	1,300 r.p.m.
		Low	940 r.p.m.	1,060 r.p.m.	1,140 r.p.m.	1,240 r.p.m.	1,220 r.p.m.
		Quiet	880 r.p.m.	960 r.p.m.	1,030 r.p.m.	1,030 r.p.m.	1,140 r.p.m.
	Heating	High	1,160 r.p.m.	1,260 r.p.m.	1,340 r.p.m.	1,560 r.p.m.	1,380 r.p.m.
		Medium	1,000 r.p.m.	1,160 r.p.m.	1,240 r.p.m.	1,400 r.p.m.	1,300 r.p.m.
		Low	940 r.p.m.	1,060 r.p.m.	1,140 r.p.m.	1,240 r.p.m.	1,220 r.p.m.
		Quiet	880 r.p.m.	960 r.p.m.	1,030 r.p.m.	1,030 r.p.m.	1,140 r.p.m.
AIR FLOW	Cooling	High	550 m ³ /h	600 m ³ /h	650 m ³ /h	800 m ³ /h	940 m ³ /h
		Medium	490 m ³ /h	550 m ³ /h	600 m ³ /h	700 m ³ /h	880 m ³ /h
		Low	470 m ³ /h	500 m ³ /h	550 m ³ /h	600 m ³ /h	820 m ³ /h
		Quiet	440 m ³ /h	450 m ³ /h	480 m ³ /h	480 m ³ /h	750 m ³ /h
	Heating	High	550 m ³ /h	600 m ³ /h	650 m ³ /h	800 m ³ /h	940 m ³ /h
		Medium	490 m ³ /h	550 m ³ /h	600 m ³ /h	700 m ³ /h	880 m ³ /h
		Low	470 m ³ /h	500 m ³ /h	550 m ³ /h	600 m ³ /h	820 m ³ /h
		Quiet	440 m ³ /h	450 m ³ /h	480 m ³ /h	480 m ³ /h	750 m ³ /h
NOISE LEVEL	Cooling	High	28 dB(A)	28 dB(A)	29 dB(A)	32 dB(A)	32 dB(A)
		Medium	26 dB(A)	27 dB(A)	28 dB(A)	30 dB(A)	31 dB(A)
		Low	25 dB(A)	26 dB(A)	27 dB(A)	28 dB(A)	30 dB(A)
		Quiet	24 dB(A)	25 dB(A)	26 dB(A)	26 dB(A)	29 dB(A)
	Heating	High	28 dB(A)	28 dB(A)	29 dB(A)	33 dB(A)	33 dB(A)
		Medium	26 dB(A)	26 dB(A)	28 dB(A)	30 dB(A)	32 dB(A)
		Low	25 dB(A)	25 dB(A)	27 dB(A)	28 dB(A)	31 dB(A)
		Quiet	24 dB(A)	24 dB(A)	24 dB(A)	25 dB(A)	29 dB(A)

MEASUREMENTS

DIMENSIONS	H x W x D	198 x 700 x 620 mm			198 x 900 x 620
WEIGHT	Net / Shipping	17 kg / 24 kg	19 kg / 26 kg		23 kg / 30 kg

INDOOR UNIT
FLOOR / CEILING

ELECTRICAL DATA

MODEL NAME	ABYG14LVTA	ABYG18LVTA
CAPACITY	4.0 kW class	5.0 kW class

FAN MOTOR

DISCRIMINATION			MFH-24RVL	
FAN SPEED	Cooling	High	850 r.p.m.	1,040 r.p.m.
		Medium	800 r.p.m.	950 r.p.m.
		Low	740 r.p.m.	800 r.p.m.
		Quiet	670 r.p.m.	740 r.p.m.
	Heating	High	850 r.p.m.	1,040 r.p.m.
		Medium	800 r.p.m.	950 r.p.m.
		Low	740 r.p.m.	800 r.p.m.
		Quiet	670 r.p.m.	740 r.p.m.
AIR FLOW	Cooling	High	640 m ³ /h	780 m ³ /h
		Medium	590 m ³ /h	700 m ³ /h
		Low	540 m ³ /h	560 m ³ /h
		Quiet	480 m ³ /h	500 m ³ /h
	Heating	High	640 m ³ /h	780 m ³ /h
		Medium	590 m ³ /h	700 m ³ /h
		Low	540 m ³ /h	560 m ³ /h
		Quiet	480 m ³ /h	500 m ³ /h
NOISE LEVEL	Cooling	High	36 dB(A)	41 dB(A)
		Medium	34 dB(A)	38 dB(A)
		Low	33 dB(A)	34 dB(A)
		Quiet	29 dB(A)	32 dB(A)
	Heating	High	36 dB(A)	41 dB(A)
		Medium	34 dB(A)	38 dB(A)
		Low	33 dB(A)	34 dB(A)
		Quiet	29 dB(A)	32 dB(A)

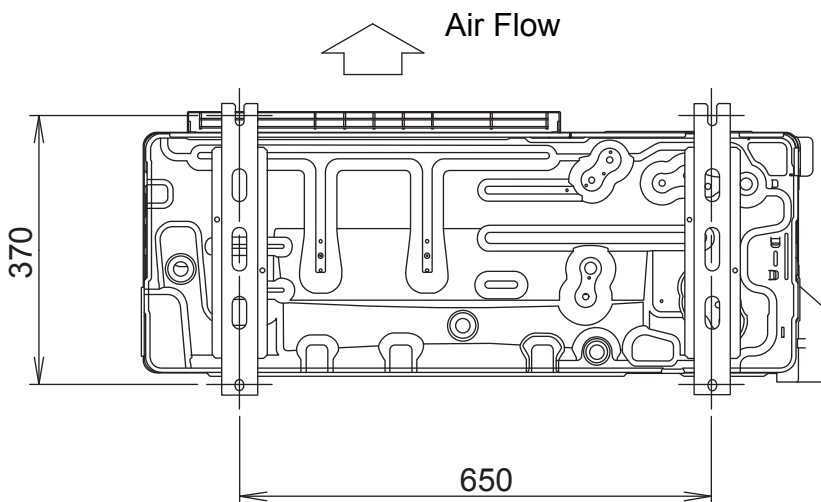
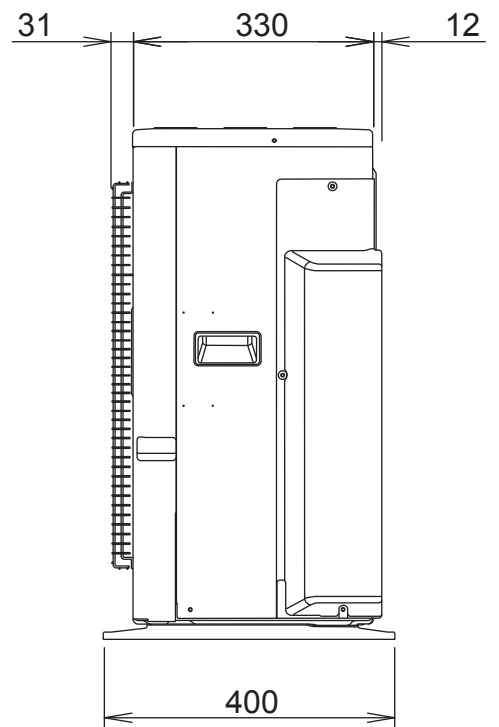
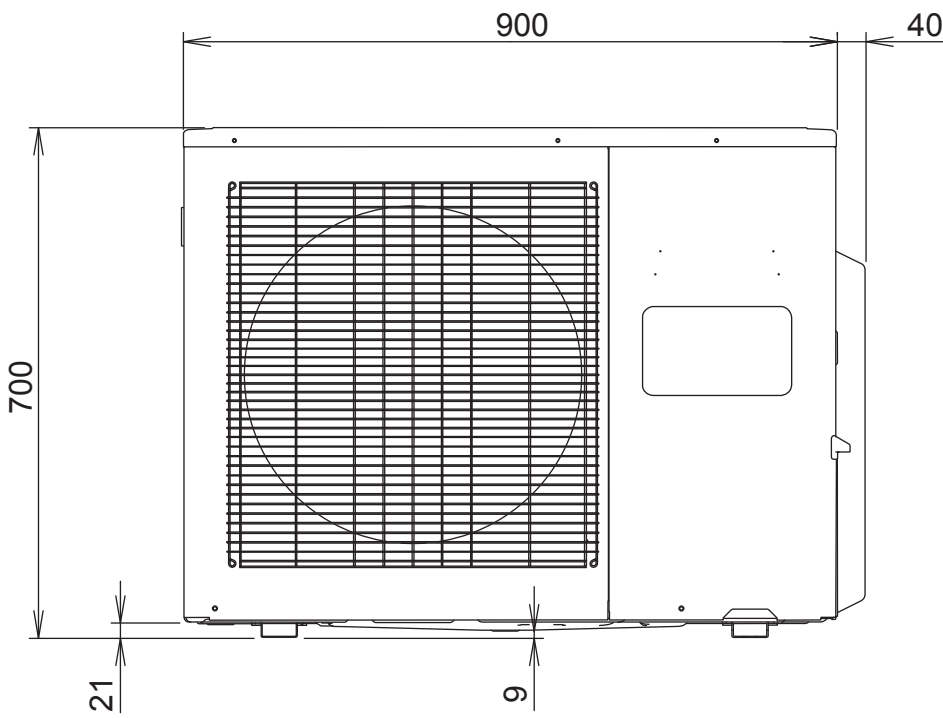
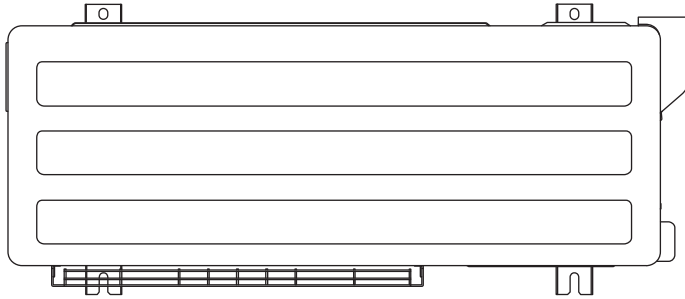
MEASUREMENTS

DIMENSIONS	H x W x D	199 x 990 x 655 mm
WEIGHT	Net / Shipping	27 kg / 36 kg

DIMENSIONS

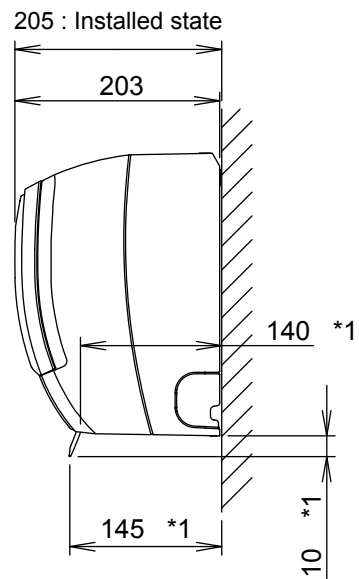
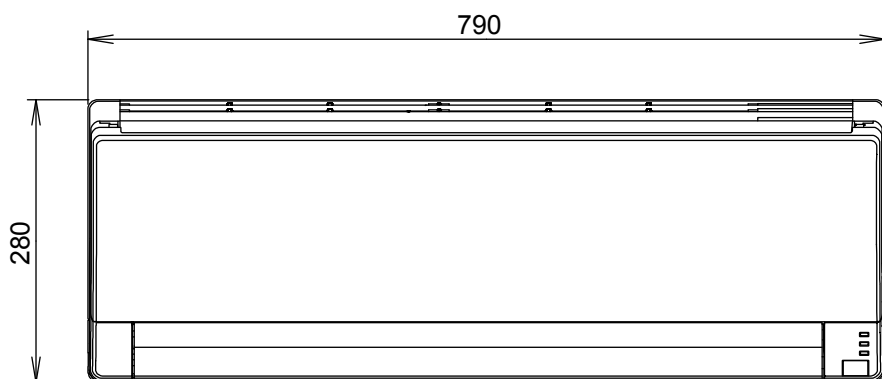
OUTDOOR UNIT

Unit : mm

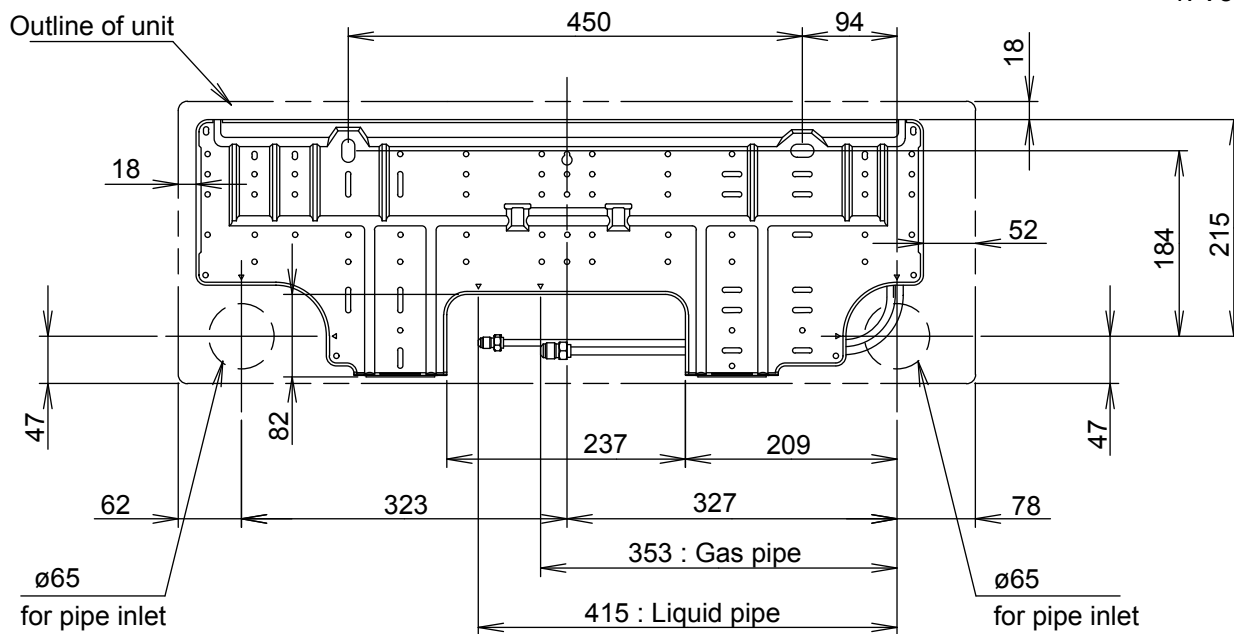


INDOOR UNIT
 COMPACT WALL MOUNTED
 ASYG07LJCA
 ASYG09LJCA
 ASYG12LJCA

Unit : mm

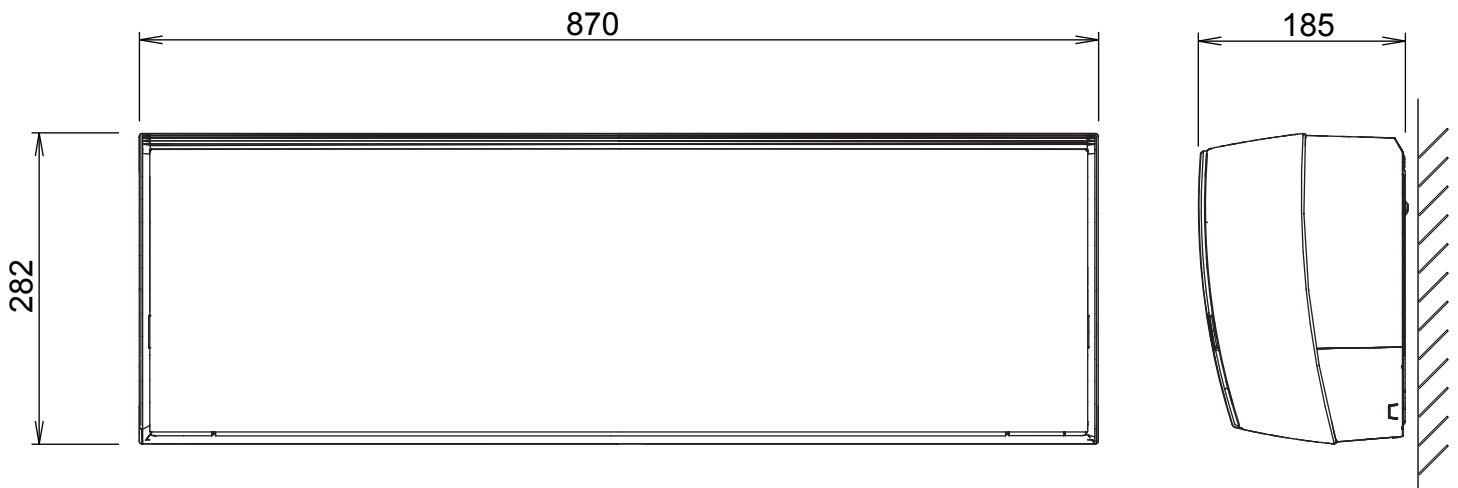


*1: Vertical flap is downward



INDOOR UNIT
COMPACT WALL MOUNTED
ASYG07LUCA
ASYG09LUCA
ASYG12LUCA
ASYG14LUCA

unit : mm



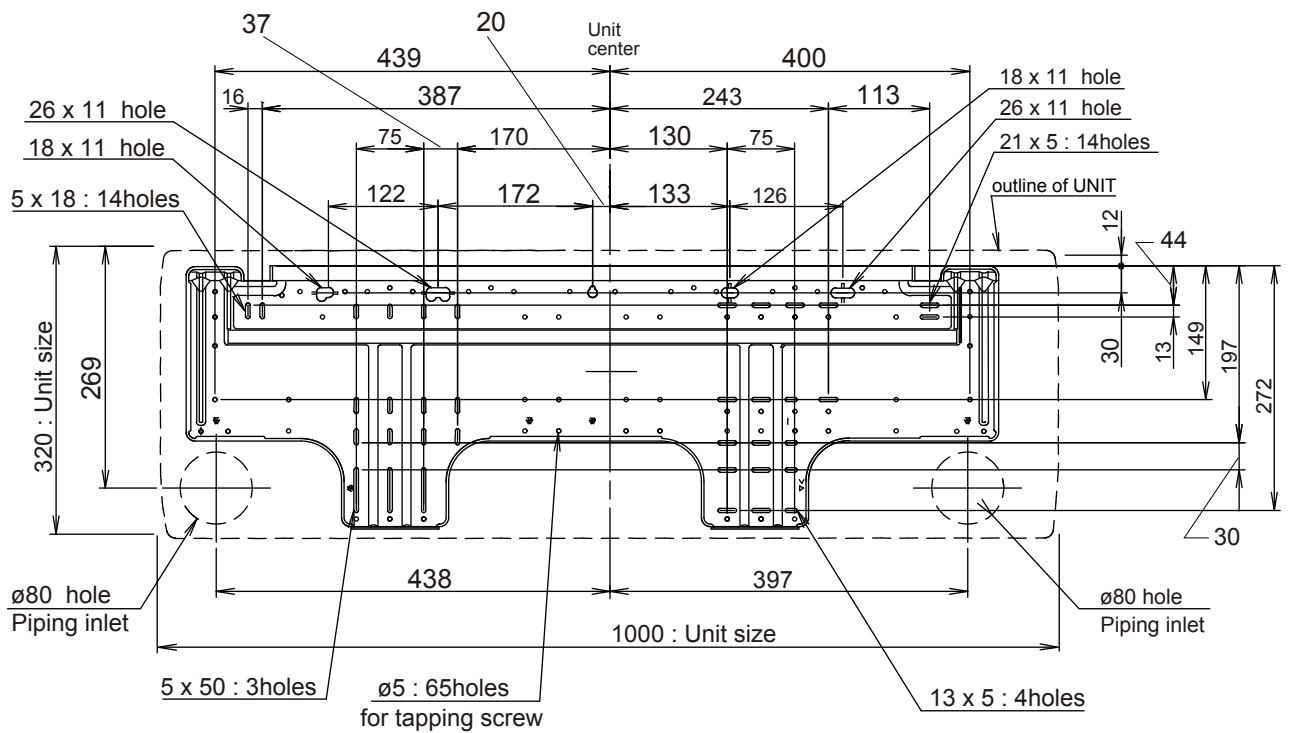
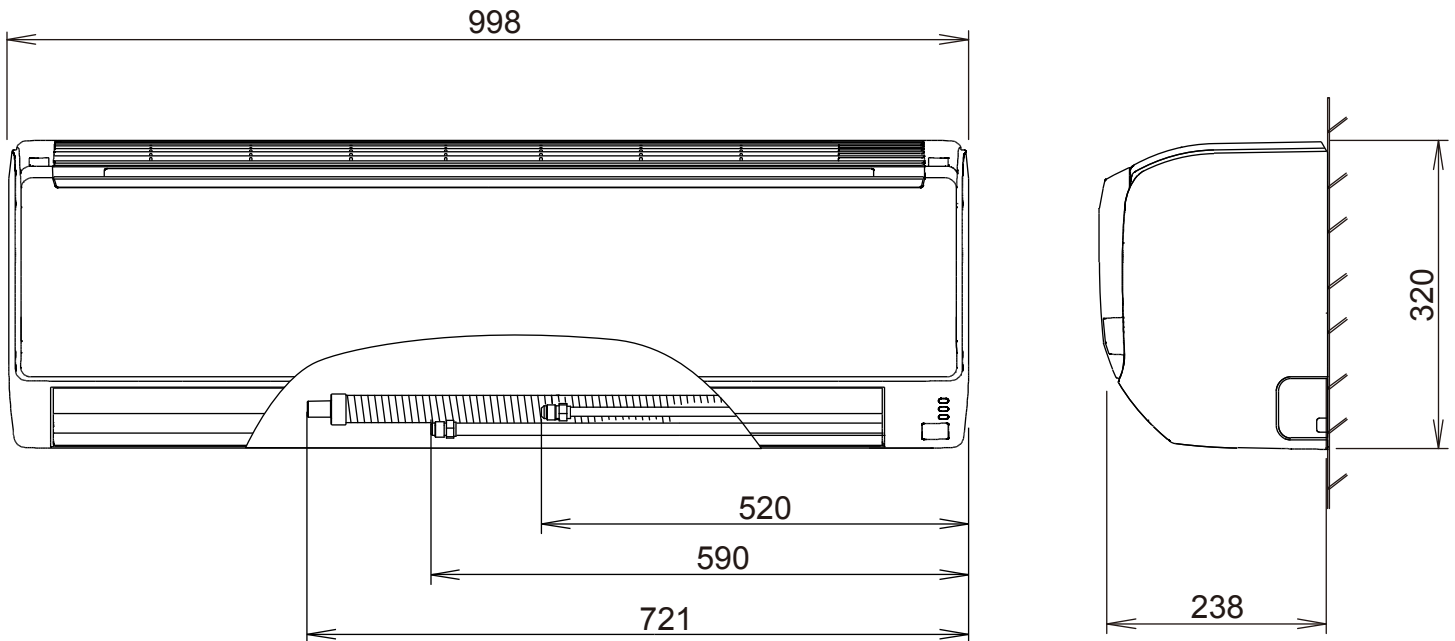
Drain pipe diameter
16.2 mm

Liquid pipe diameter : 6.35 mm

Gas pipe diameter : 9.52 mm(07, 09, 12), 12.7 mm(14)

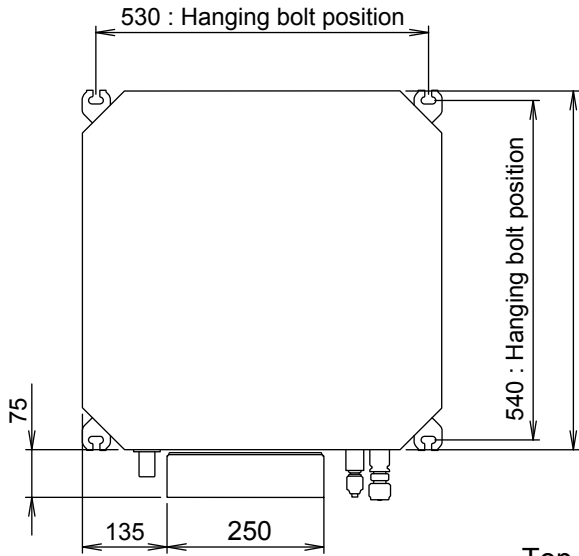
INDOOR UNIT
WALL MOUNTED
ASYG18LFCA

Unit : mm

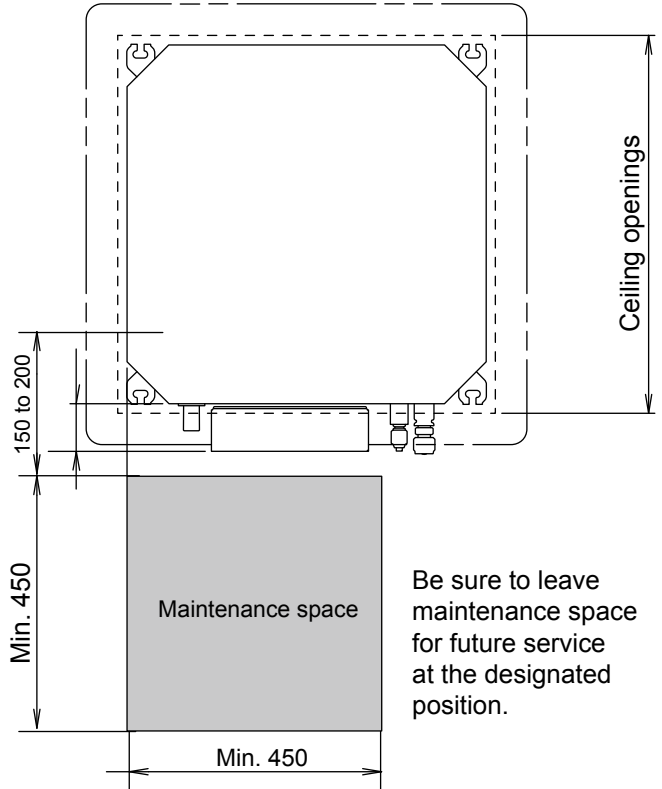


INDOOR UNIT
 COMPACT CASSETTE
 AUYG07LVLA
 AUYG09LVLA
 AUYG12LVLA
 AUYG14LVLA
 AUYG18LVLA
 Unit : mm

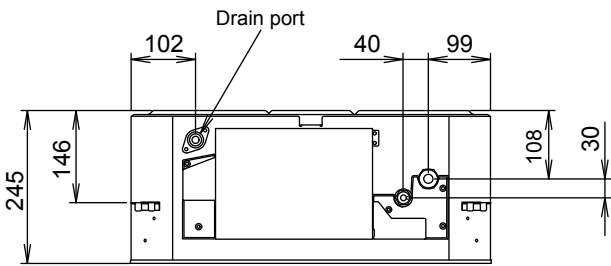
• Decoration panel mounting state



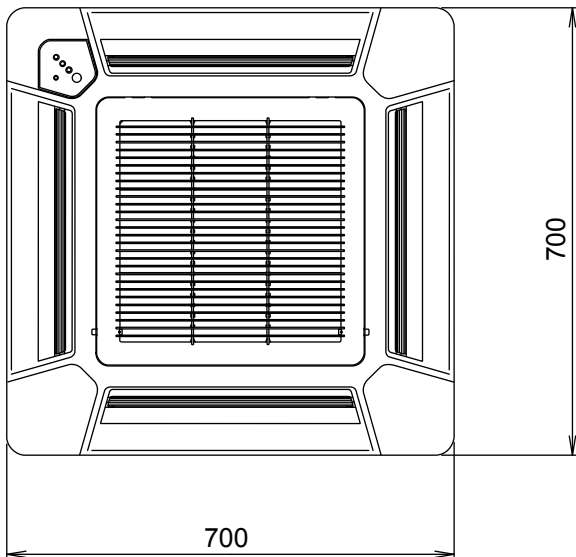
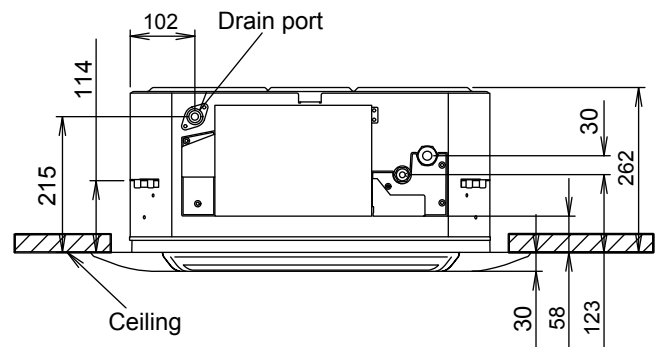
Top view



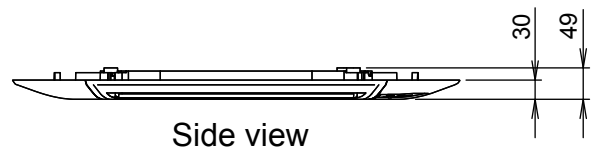
Be sure to leave maintenance space for future service at the designated position.



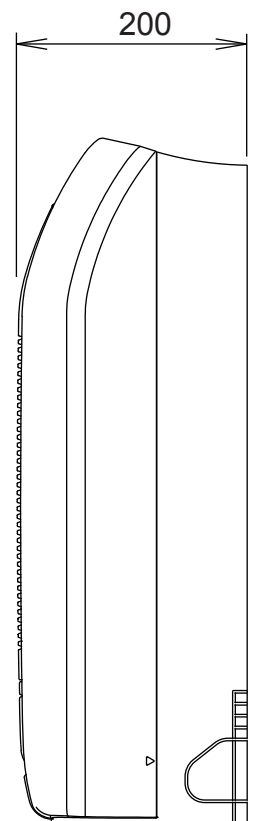
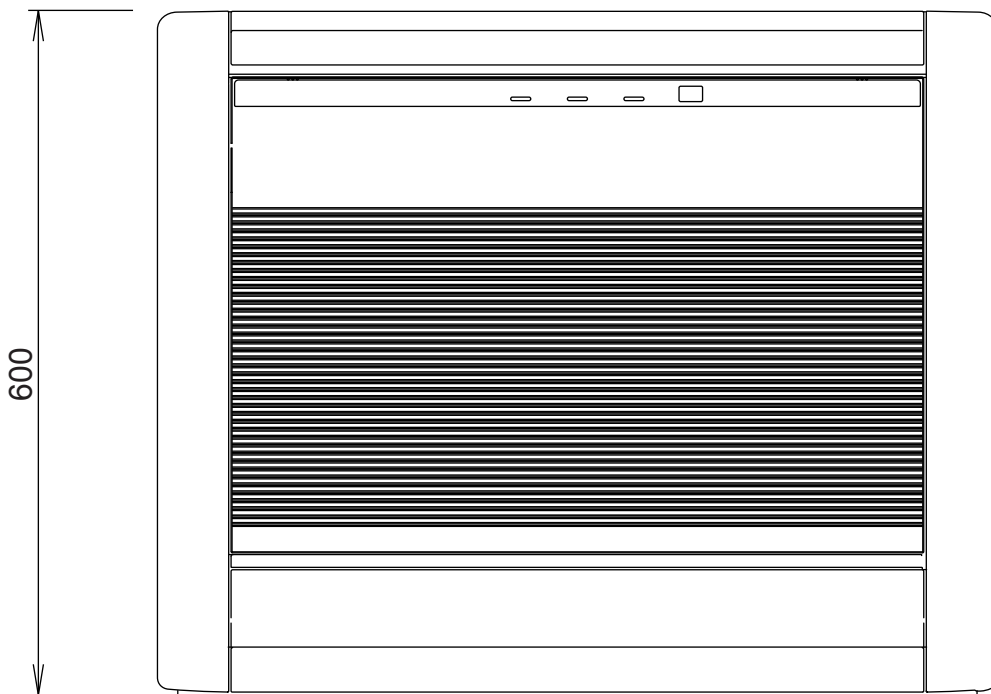
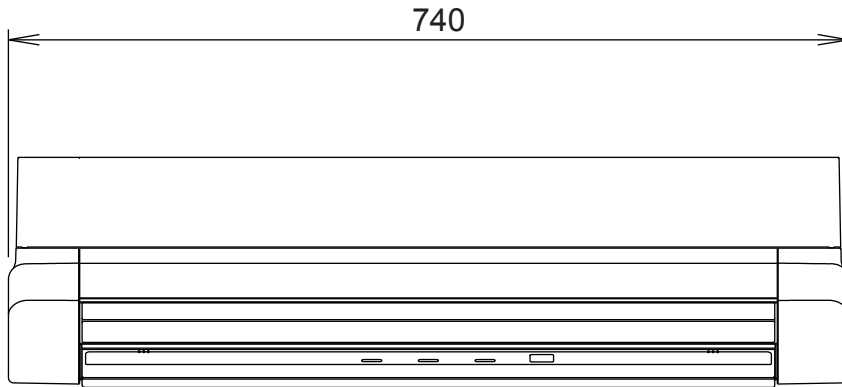
Side view



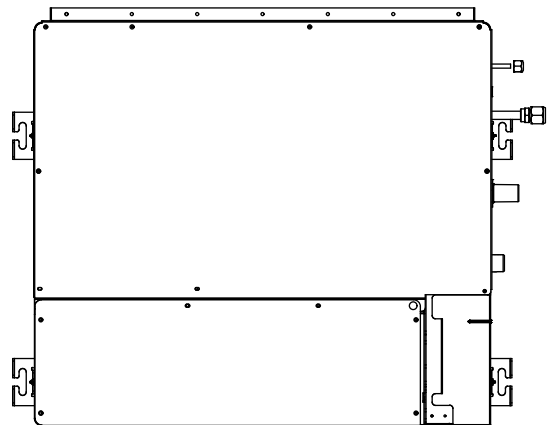
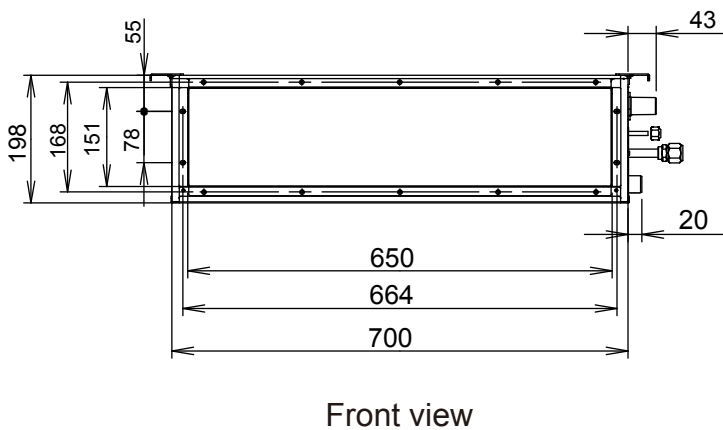
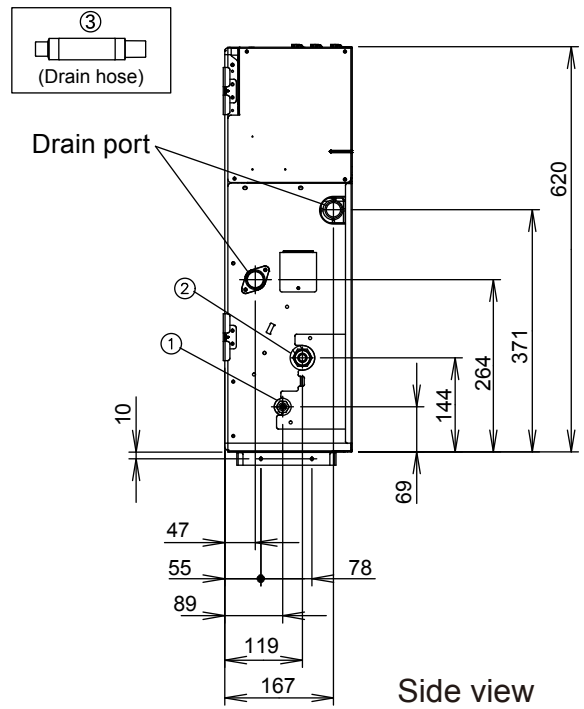
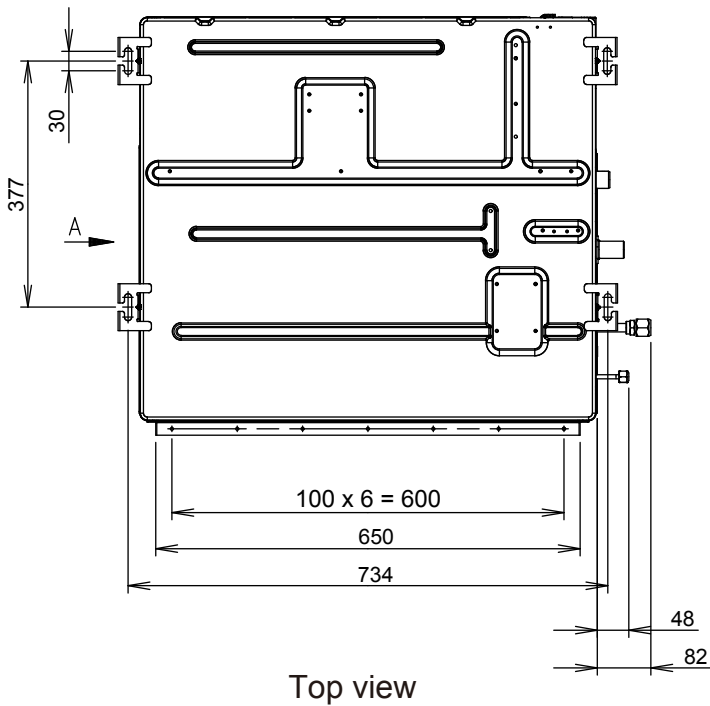
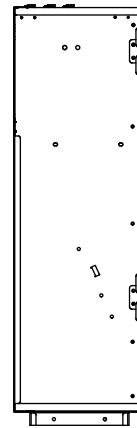
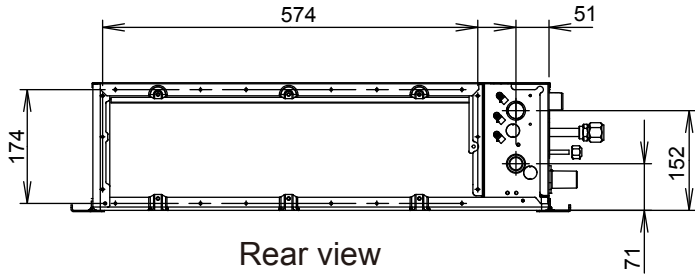
Bottom view



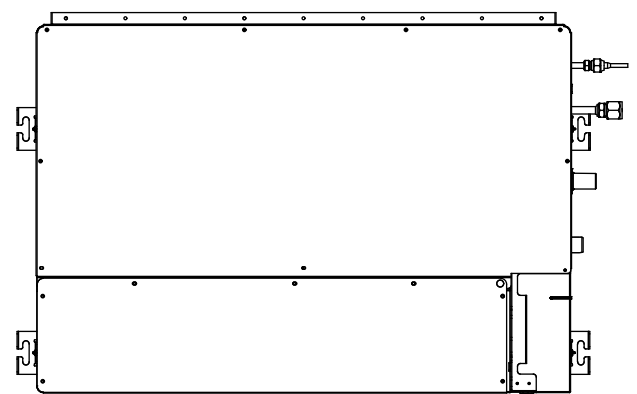
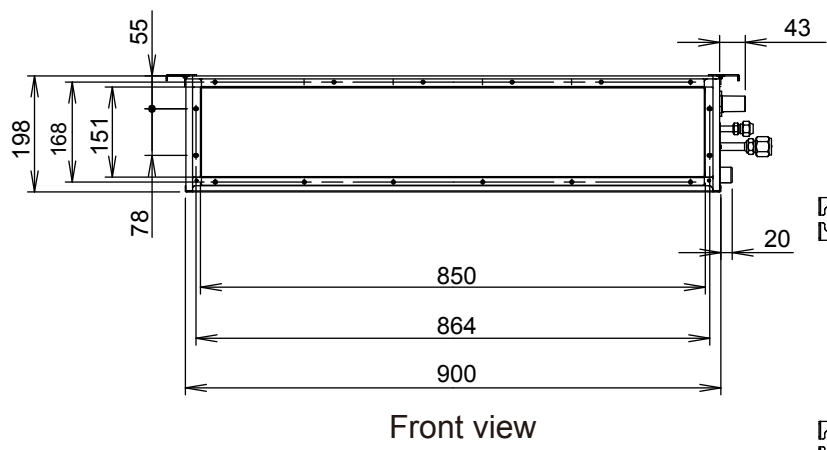
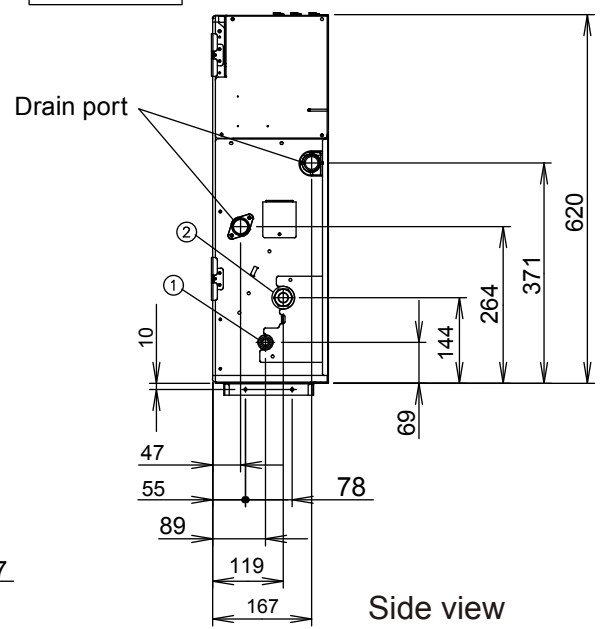
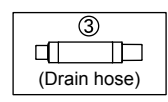
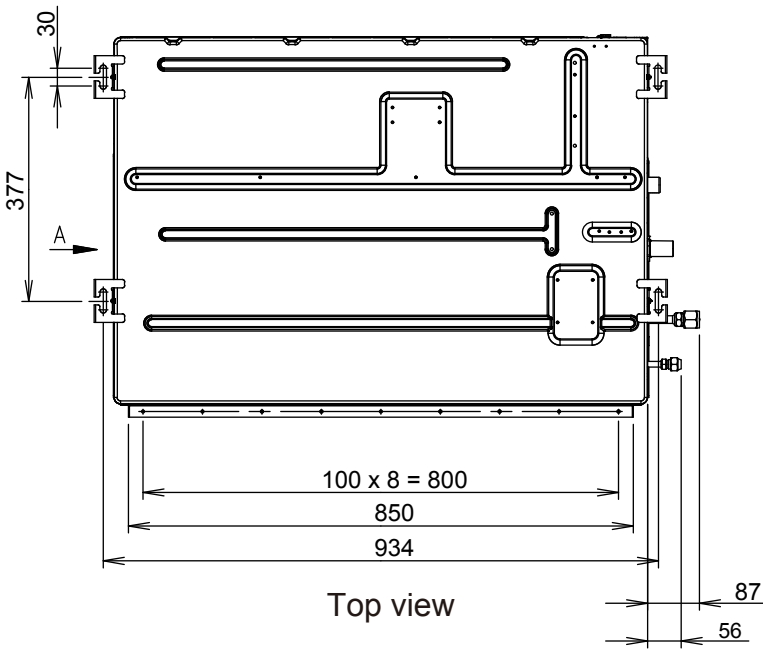
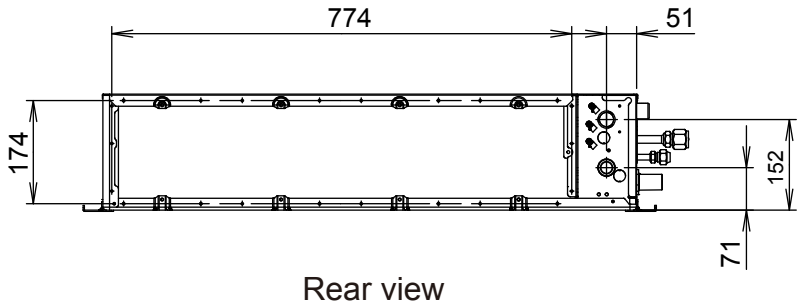
INDOOR UNIT
FLOOR
AGYG09LVCA
AGYG12LVCA
AGYG14LVCA
unit : mm



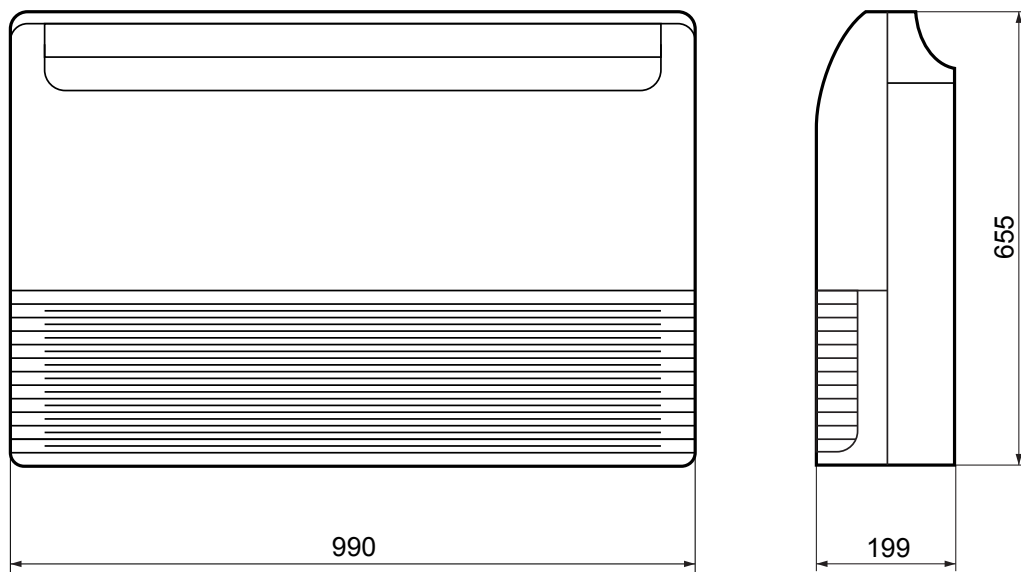
INDOOR UNIT
 SLIM DUCT
 ARYG07LLTA
 ARYG09LLTA
 ARYG12LLTA
 ARYG14LLTA
 Unit : mm



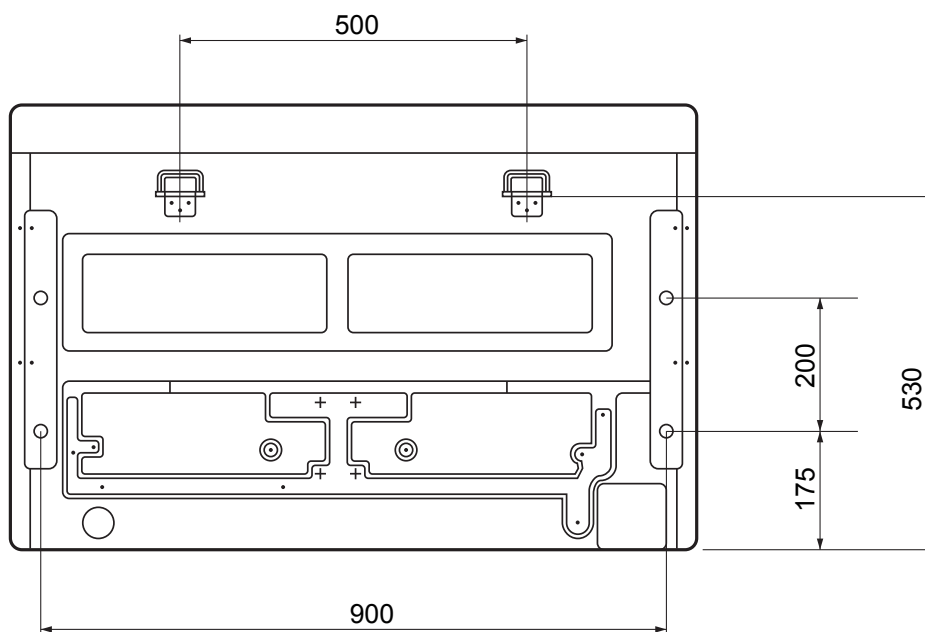
INDOOR UNIT
 SLIM DUCT
 ARYG18LLTA
 Unit : mm



INDOOR UNIT
FLOOR/CEILING
ABYG14LVTA
ABYG18LVTA
Unit : mm

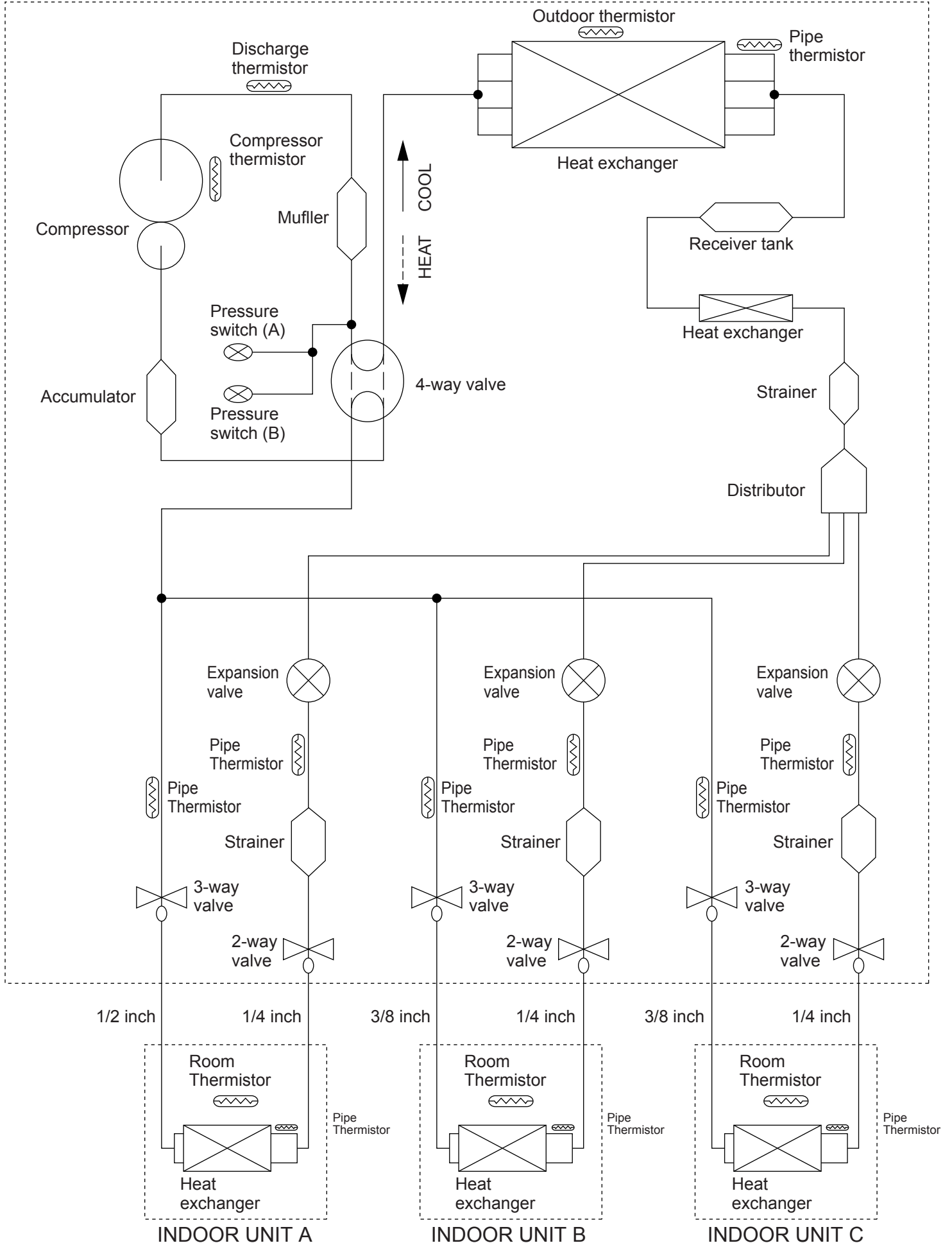


Rear view



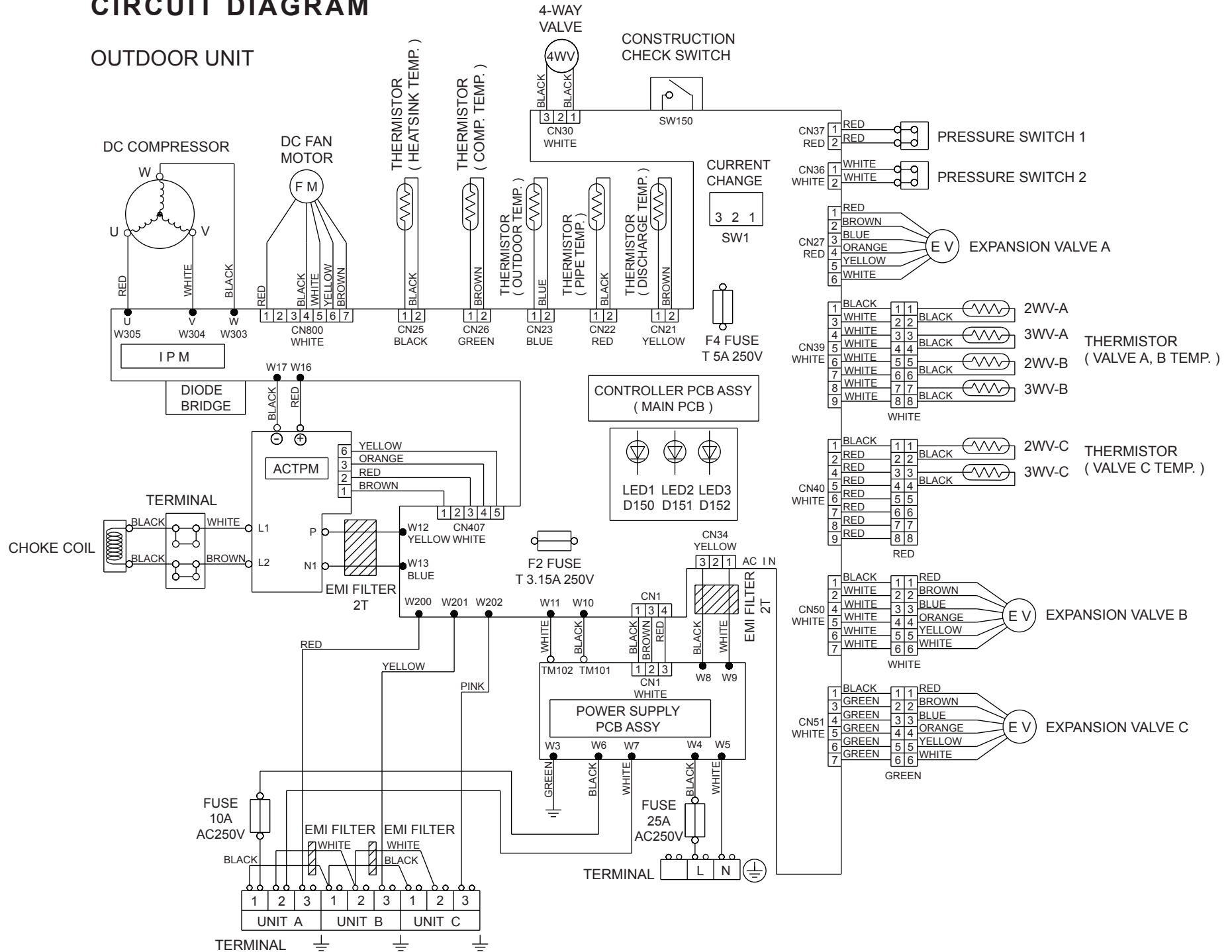
REFRIGERANT SYSTEM DIAGRAM

OUTDOOR UNIT

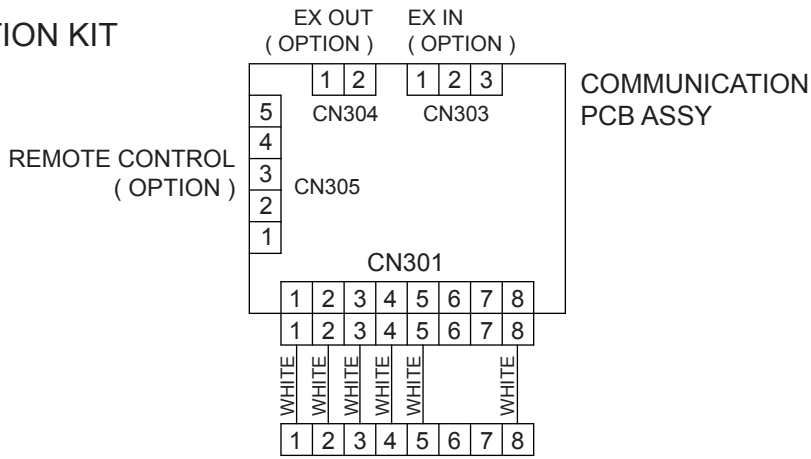


CIRCUIT DIAGRAM

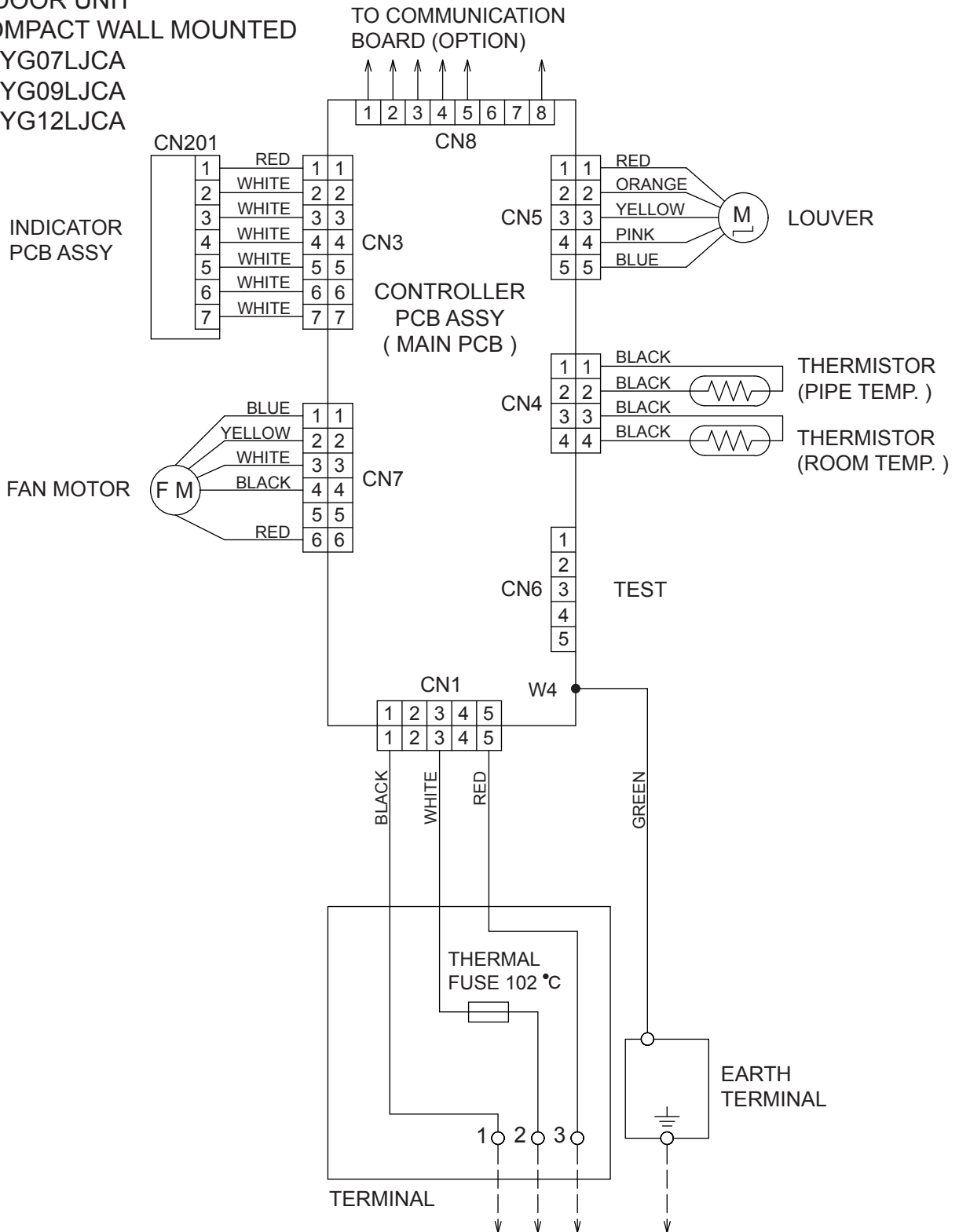
OUTDOOR UNIT



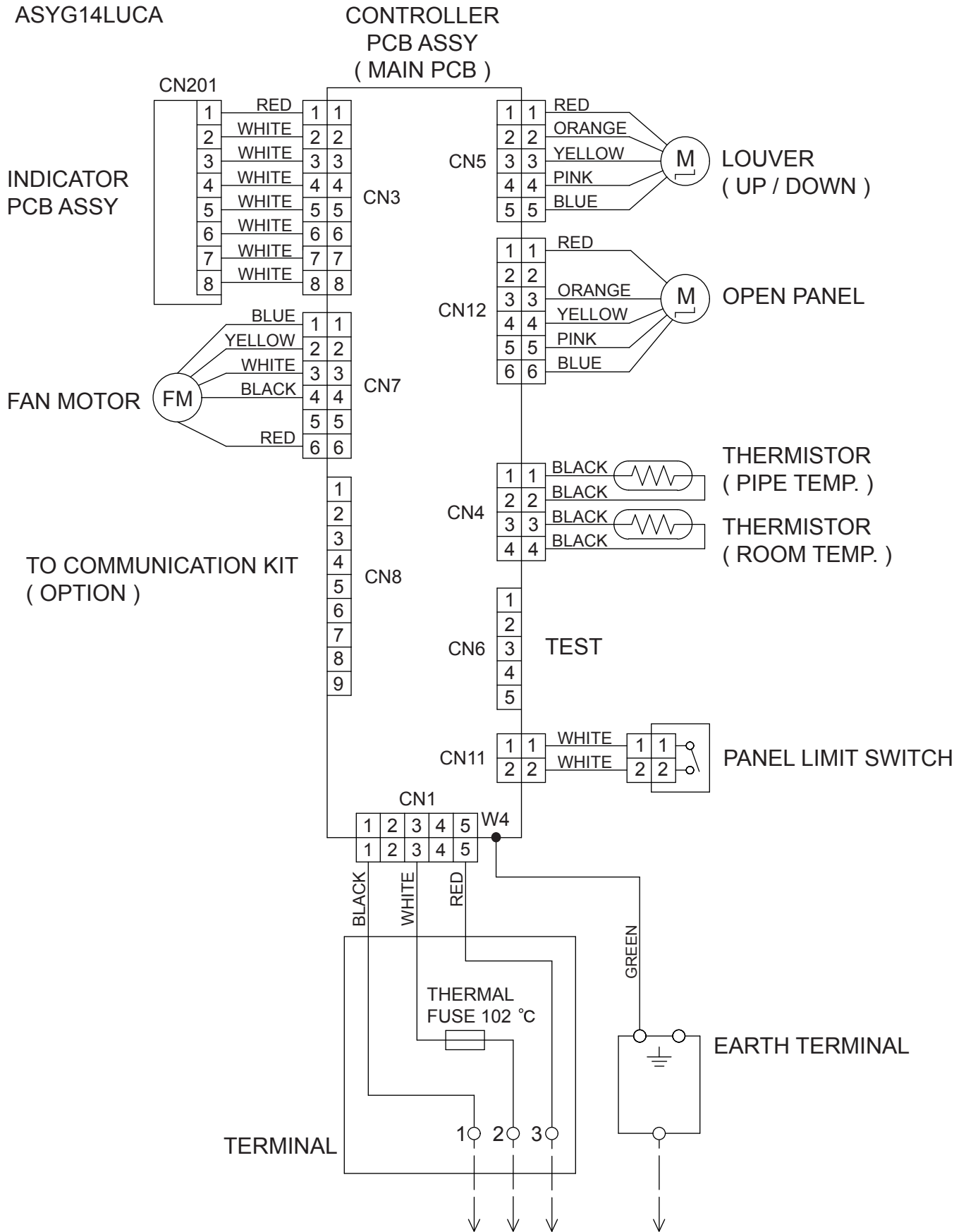
COMMUNICATION KIT
 UTY-XCBXZ1
 (OPTION)



INDOOR UNIT
 COMPACT WALL MOUNTED
 ASYG07LJCA
 ASYG09LJCA
 ASYG12LJCA

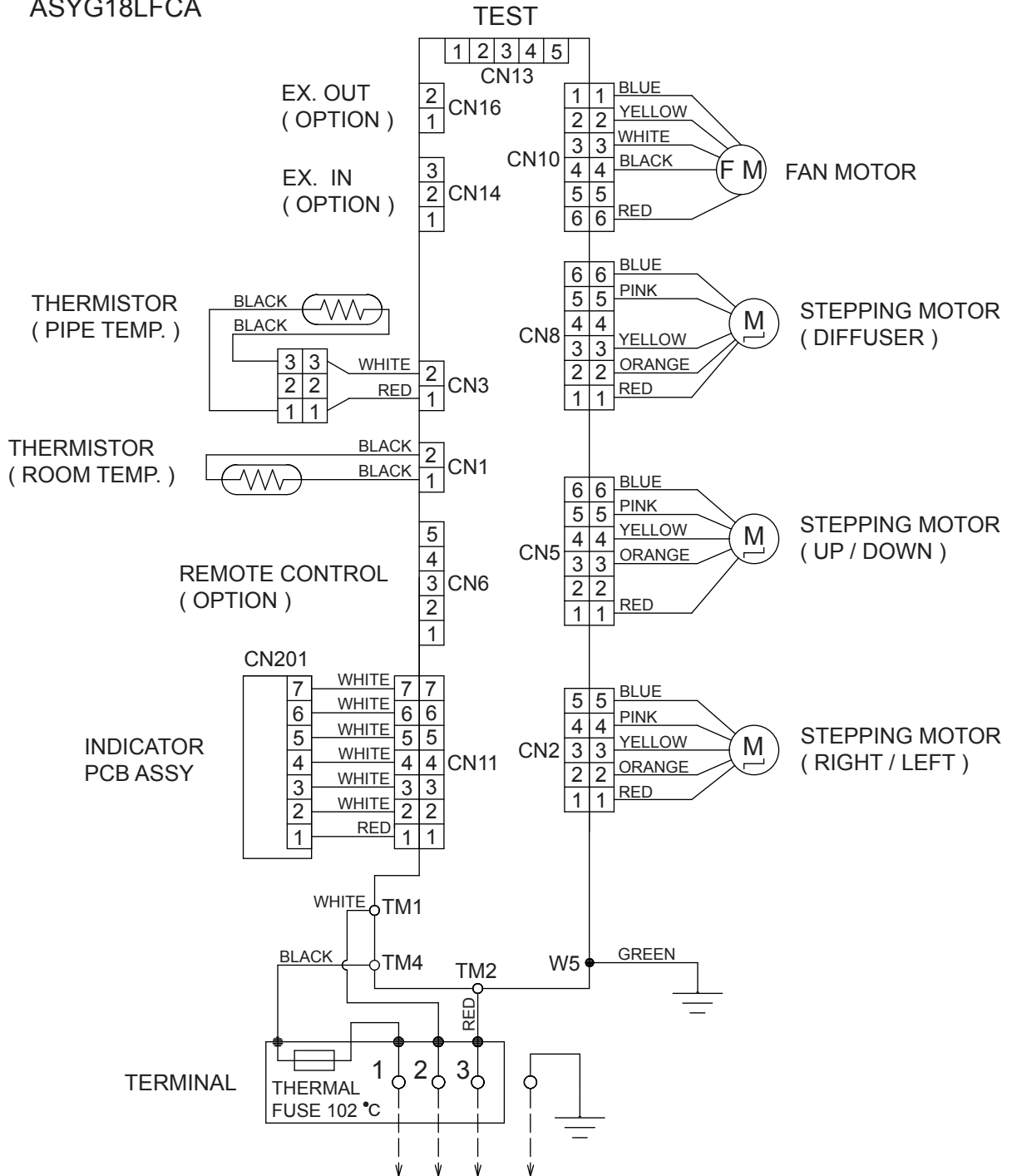


INDOOR UNIT
 COMPACT WALL MOUNTED
 ASYG07LUCA
 ASYG09LUCA
 ASYG12LUCA
 ASYG14LUCA

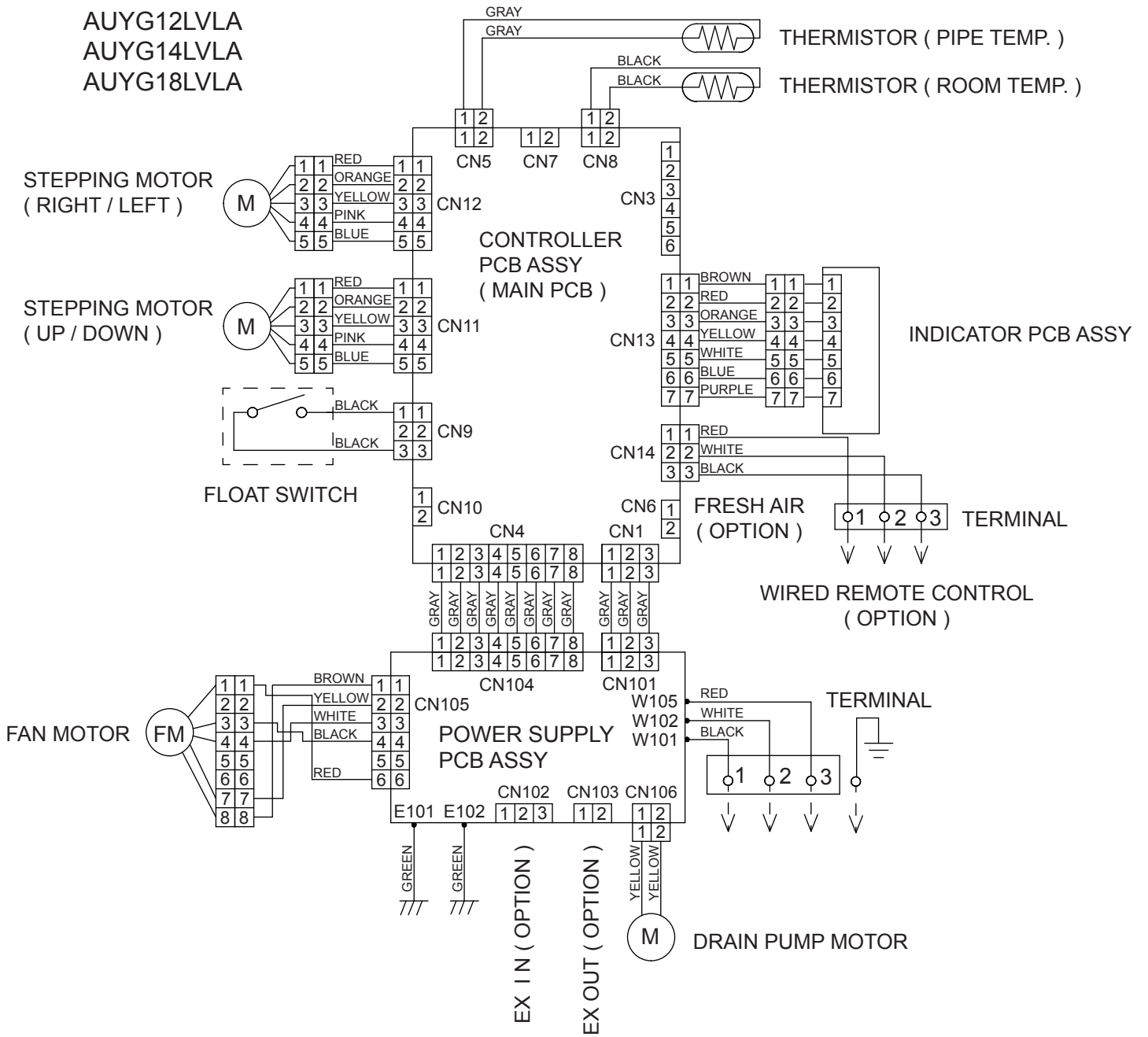


INDOOR UNIT
WALL MOUNTED
ASYG18LFCA

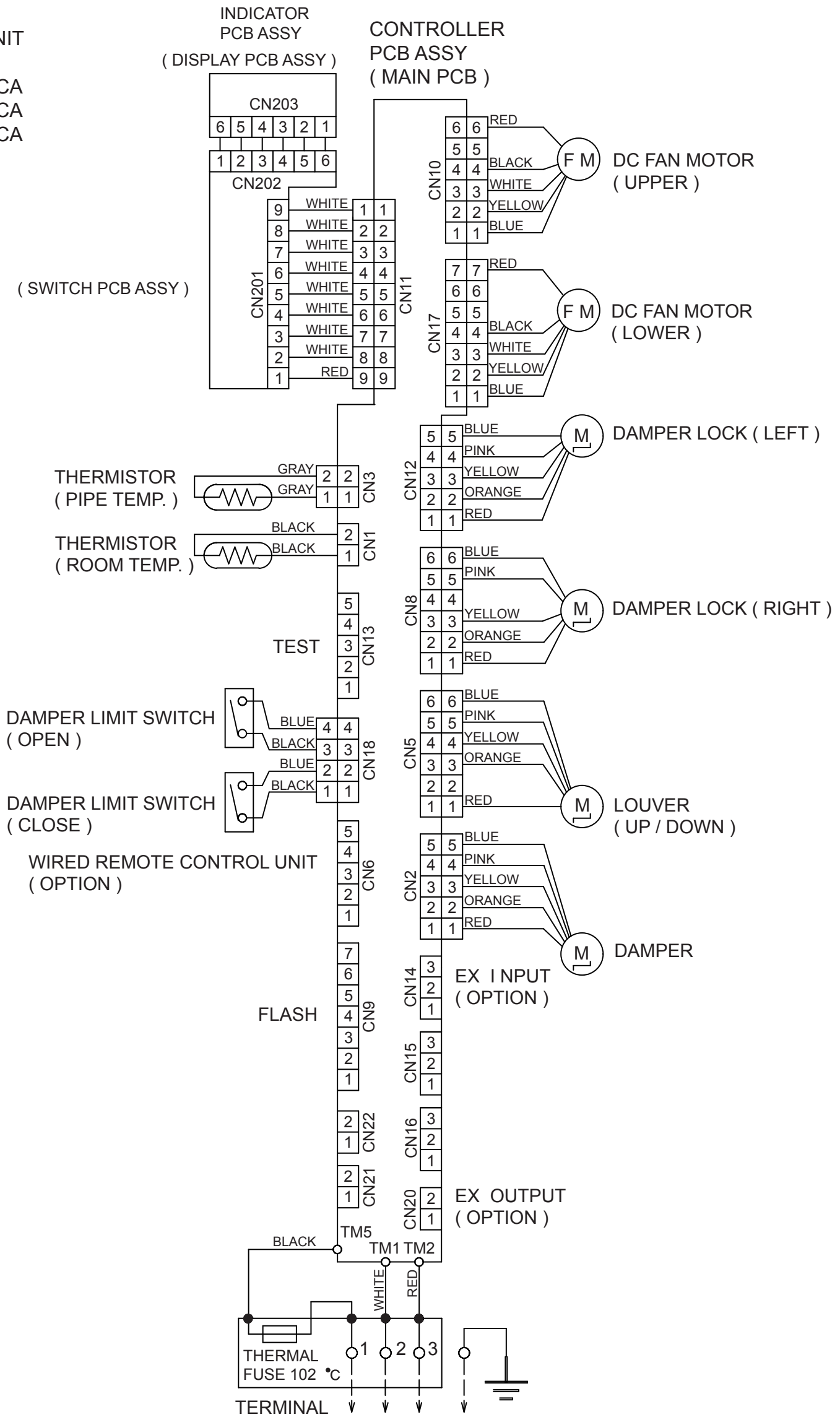
CONTROLLER PCB ASSY
(MAIN PCB)



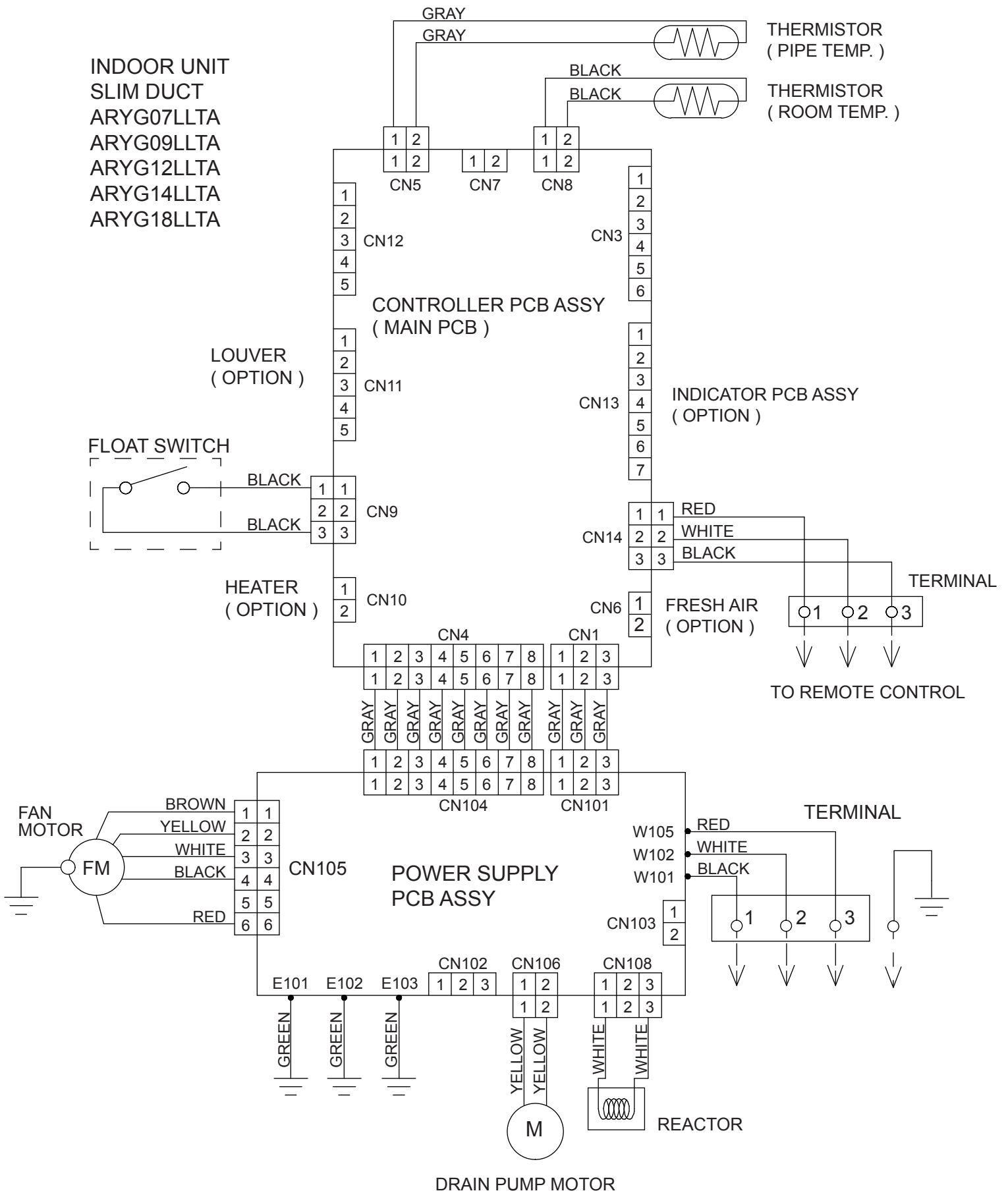
INDOOR UNIT
 COMPACT CASSETTE
 AUYG07LVLA
 AUYG09LVLA
 AUYG12LVLA
 AUYG14LVLA
 AUYG18LVLA



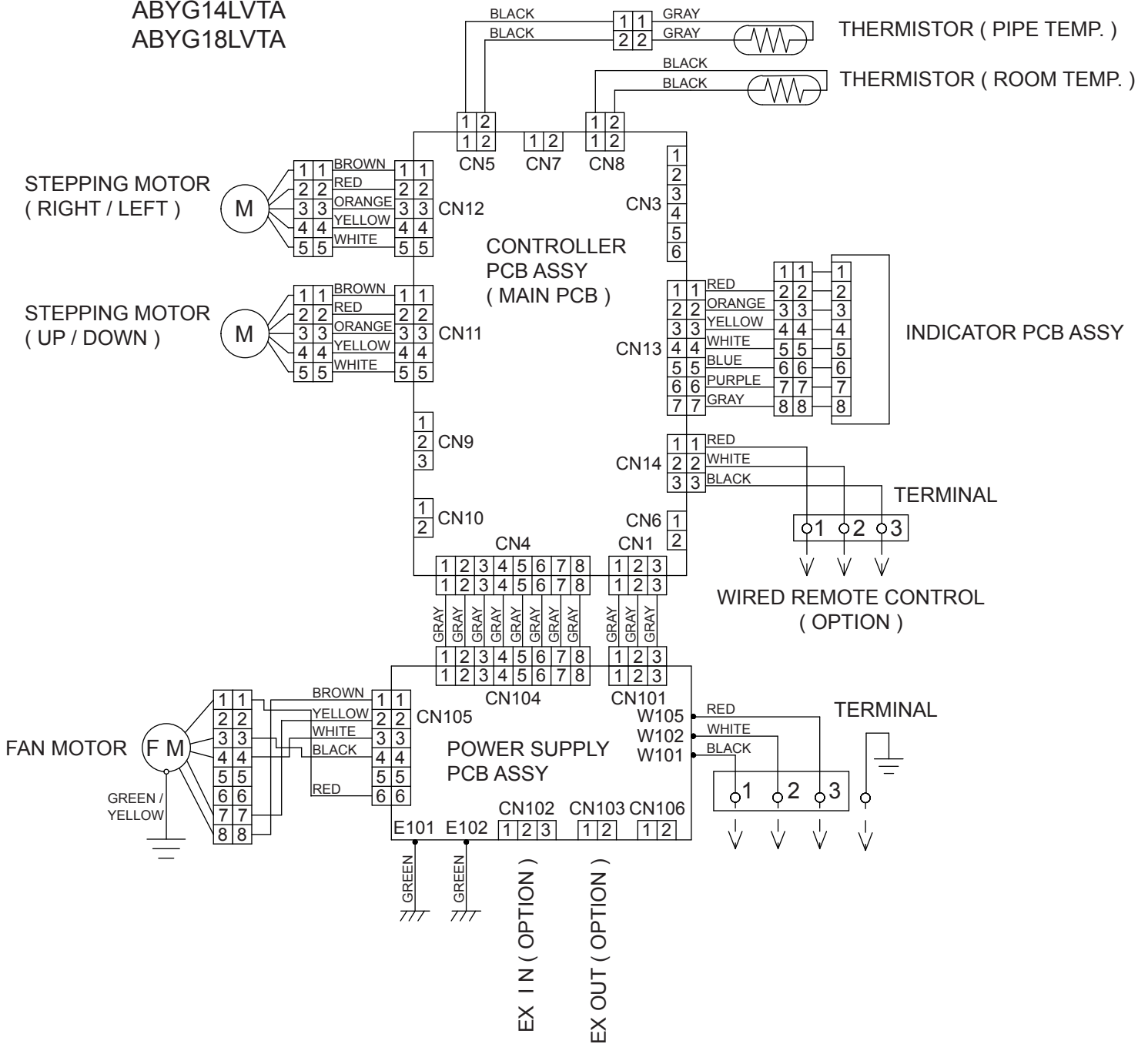
INDOOR UNIT
FLOOR
AGYG09LVCA
AGYG12LVCA
AGYG14LVCA



INDOOR UNIT
SLIM DUCT
ARYG07LLTA
ARYG09LLTA
ARYG12LLTA
ARYG14LLTA
ARYG18LLTA



INDOOR UNIT
 FLOOR / CEILING
 ABYG14LVTA
 ABYG18LVTA

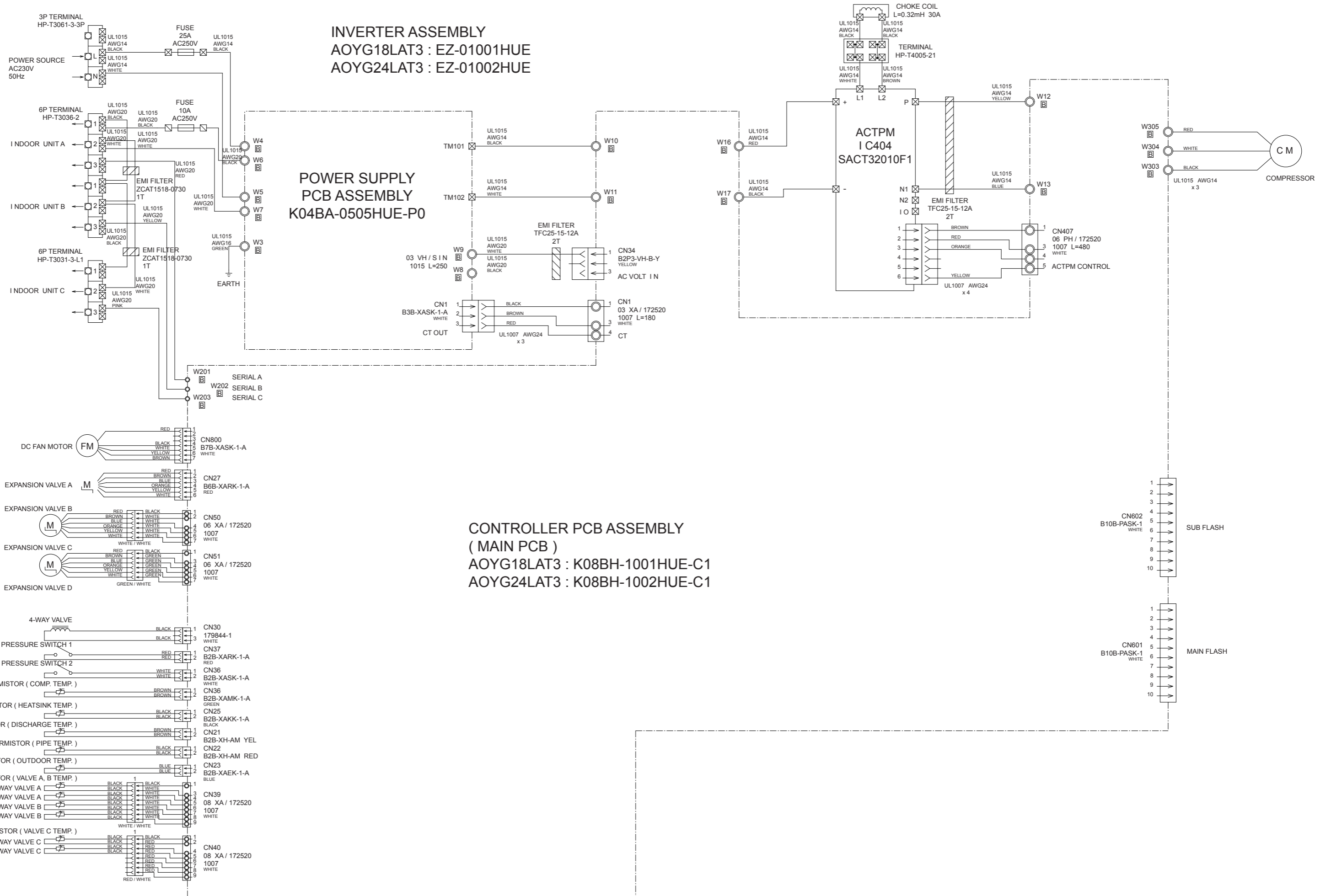


OUTDOOR PCB CIRCUIT DIAGRAM

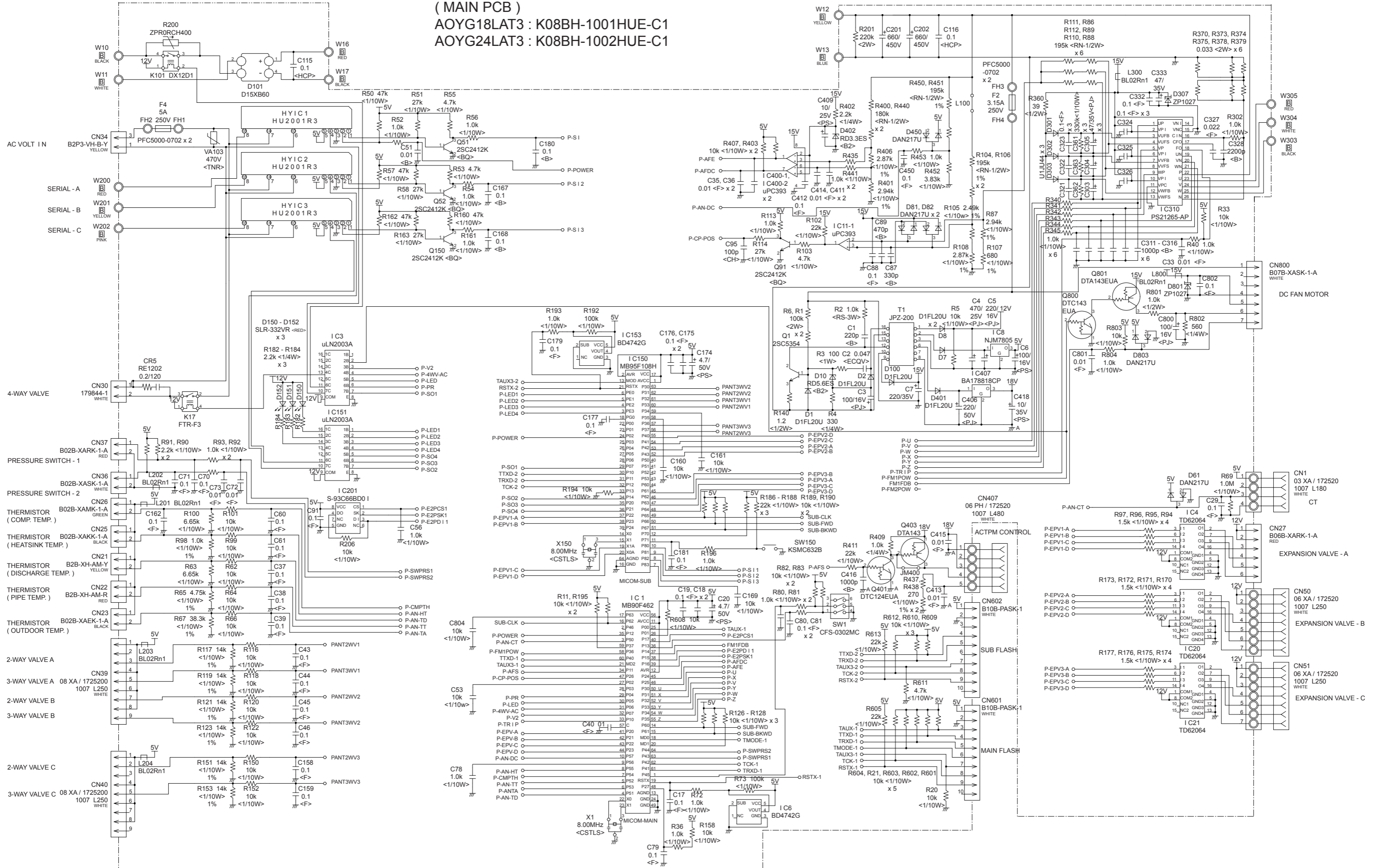
INVERTER ASSEMBLY AOYG18LAT3 : EZ-01001HUE AOYG24LAT3 : EZ-01002HUE

POWER SUPPLY PCB ASSEMBLY K04BA-0505HUE-P0

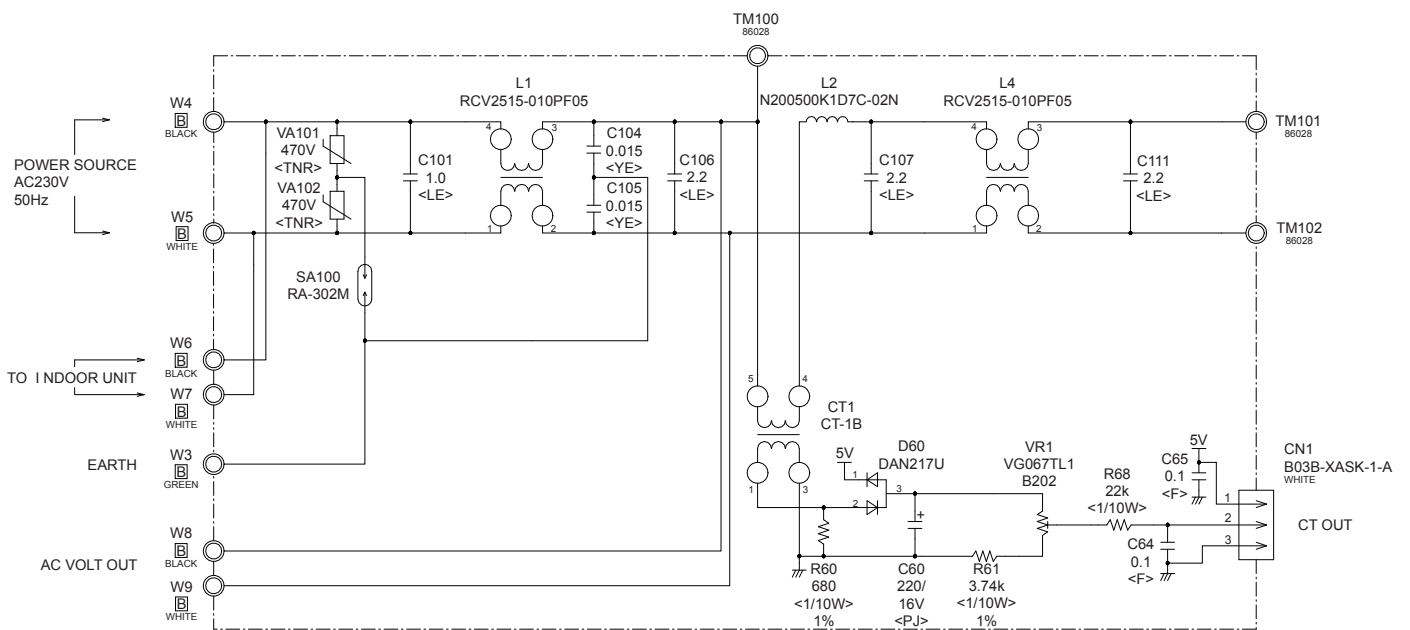
CONTROLLER PCB ASSEMBLY (MAIN PCB) AOYG18LAT3 : K08BH-1001HUE-C1 AOYG24LAT3 : K08BH-1002HUE-C1



OUTDOOR UNIT
 CONTROLLER PCB ASSEMBLY
 (MAIN PCB)
 AOYG18LAT3 : K08BH-1001HUE-C1
 AOYG24LAT3 : K08BH-1002HUE-C1

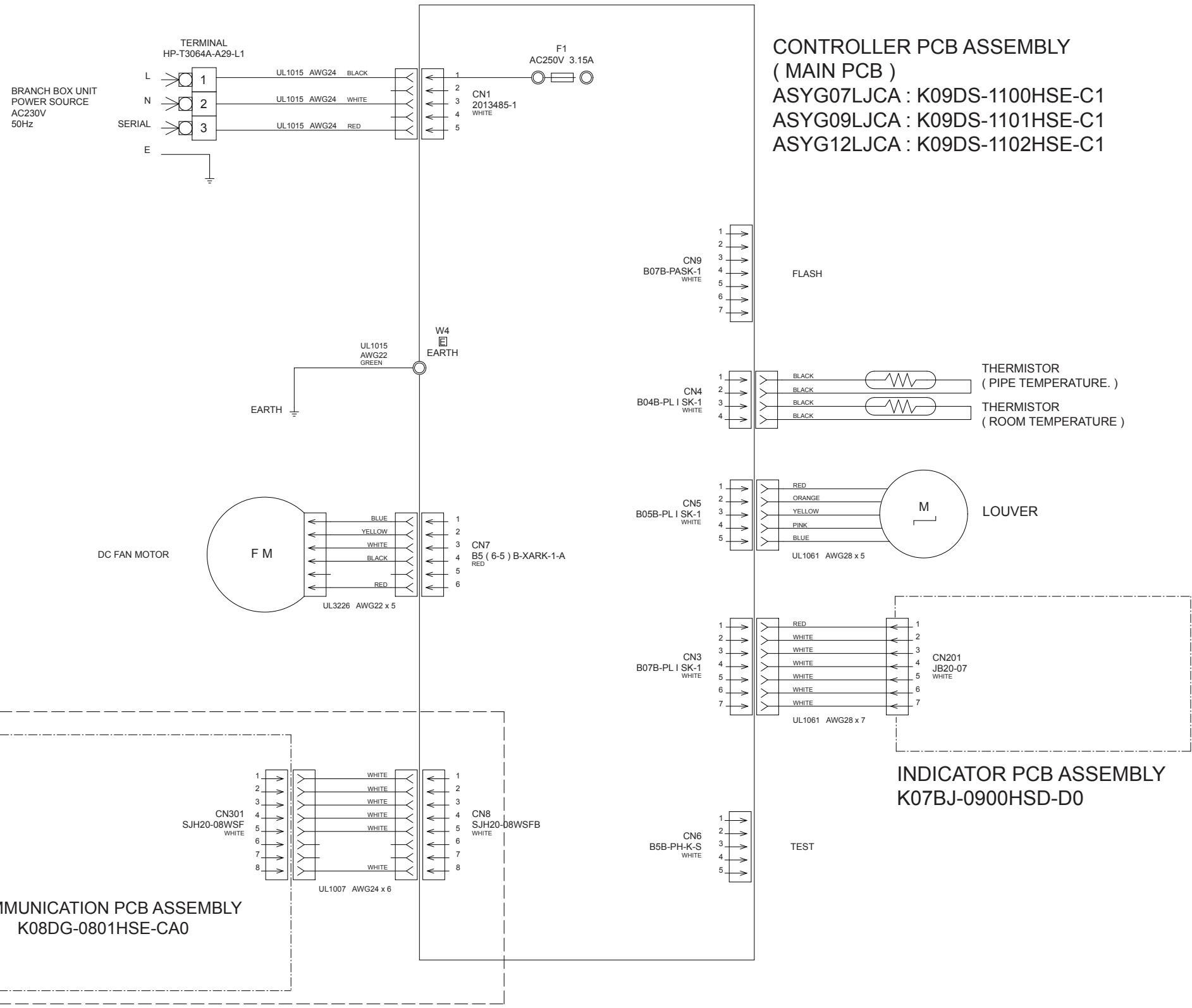


OUTDOOR UNIT POWER SUPPLY PCB ASSEMBLY K04BA-0505HUE-P0

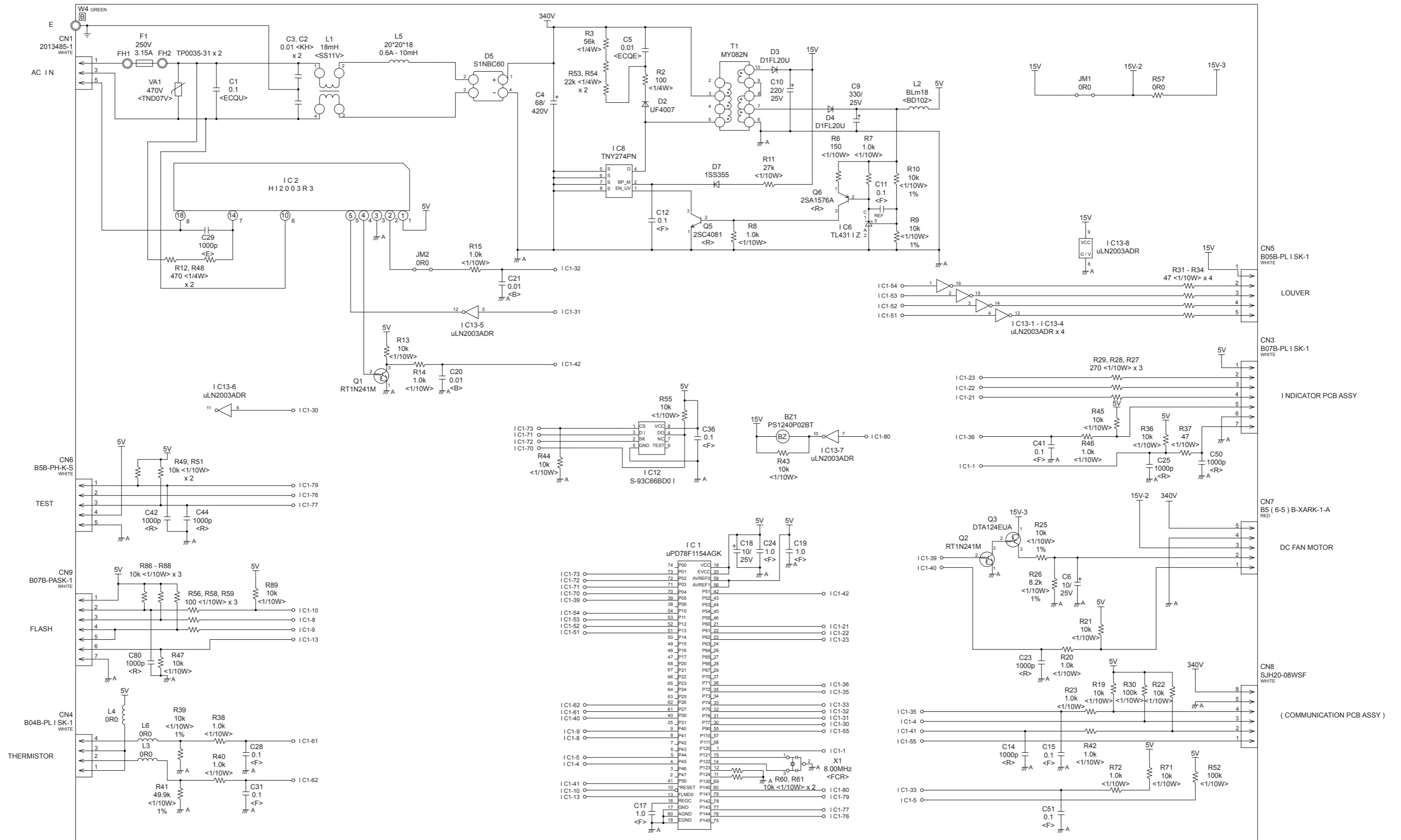


INDOOR PCB CIRCUIT DIAGRAM

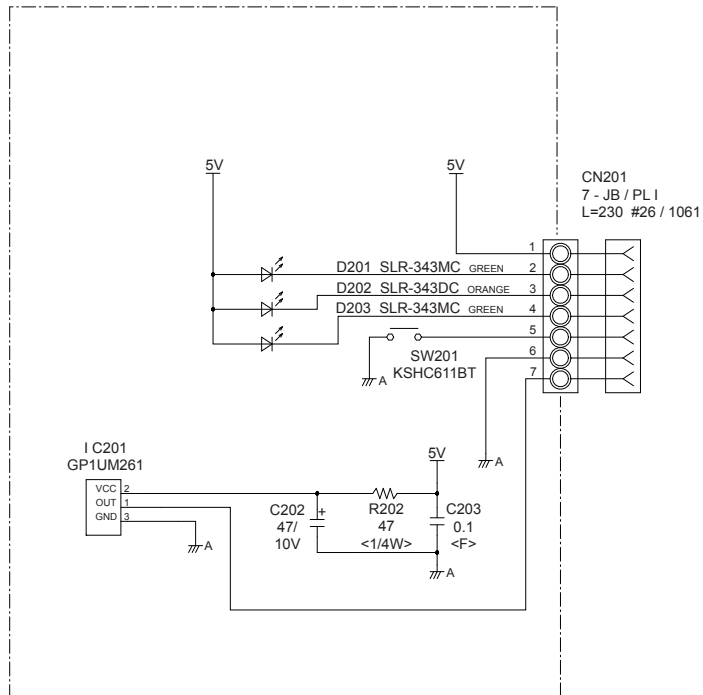
CONTROL UNIT
 ASYG07LJCA : EZ-010MHSE
 ASYG09LJCA : EZ-010PHSE
 ASYG12LJCA : EZ-010RHSE



INDOOR UNIT
 COMPACT WALL MOUNTED
 CONTROLLER PCB ASSEMBLY
 (MAIN PCB)
 ASYG07LJCA : K09DS-1100HSE-C1
 ASYG09LJCA : K09DS-1101HSE-C1
 ASYG12LJCA : K09DS-1102HSE-C1

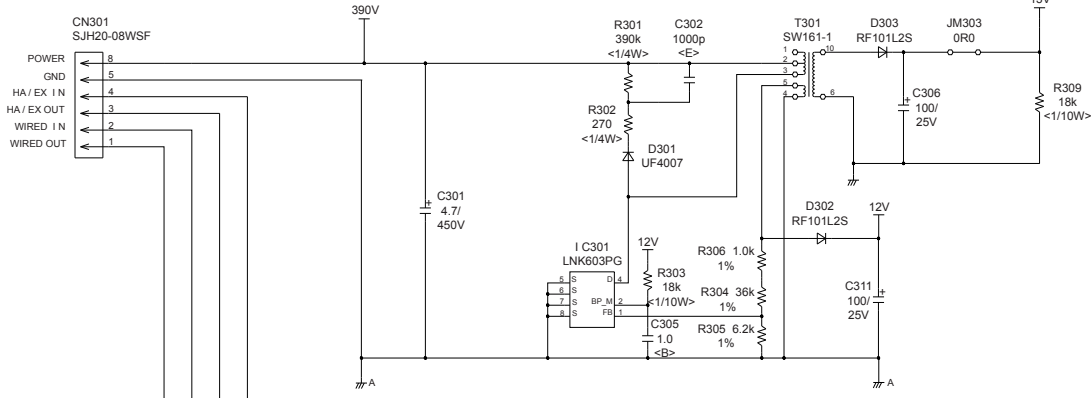


INDOOR UNIT
 COMPACT WALL MOUNTED
 ASYG07LJCA
 ASYG09LJCA
 ASYG12LJCA
 INDICATOR PCB ASSEMBLY
 K07BJ-0900HSD-D0



TO CONTROLLER PCB ASSEMBLY

POWER

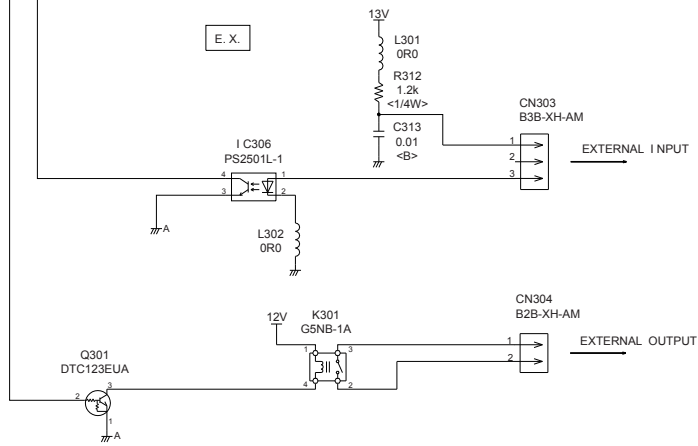


UTY-XCBXZ1

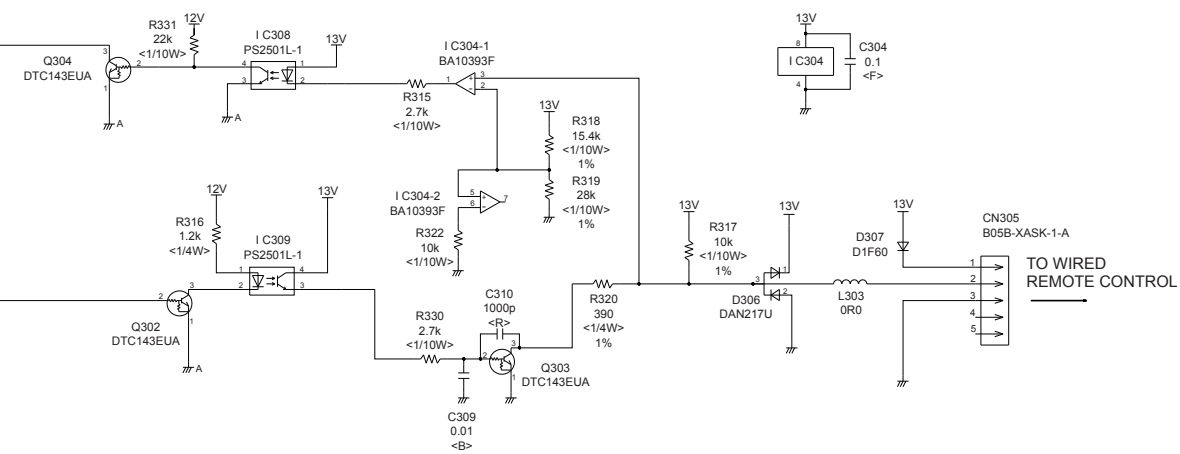
The limitation optional of ASYG07, 09 and 12LJCA

COMMUNICATION PCB ASSEMBLY
K08DG-0801HSE-CA0

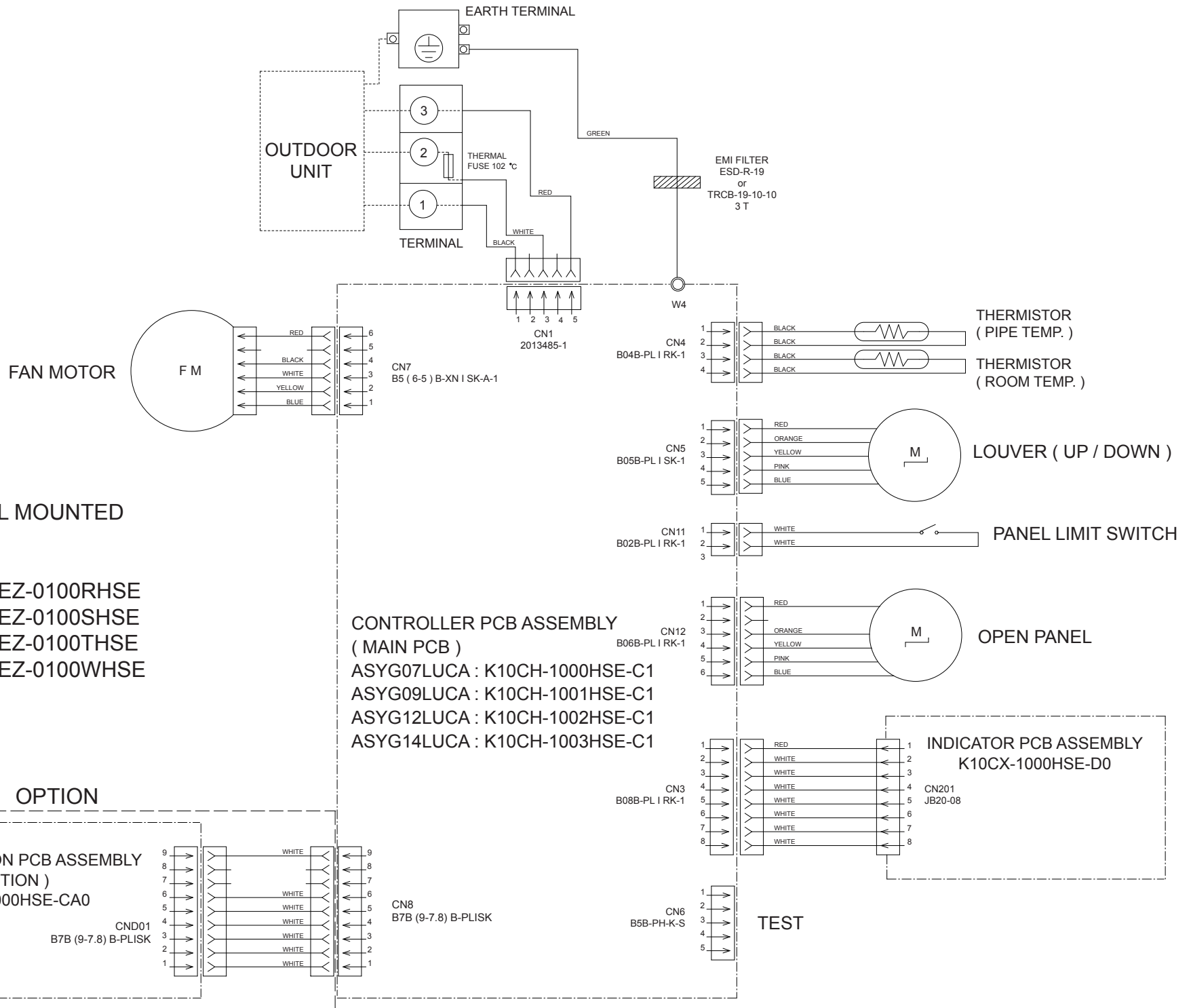
E. X.

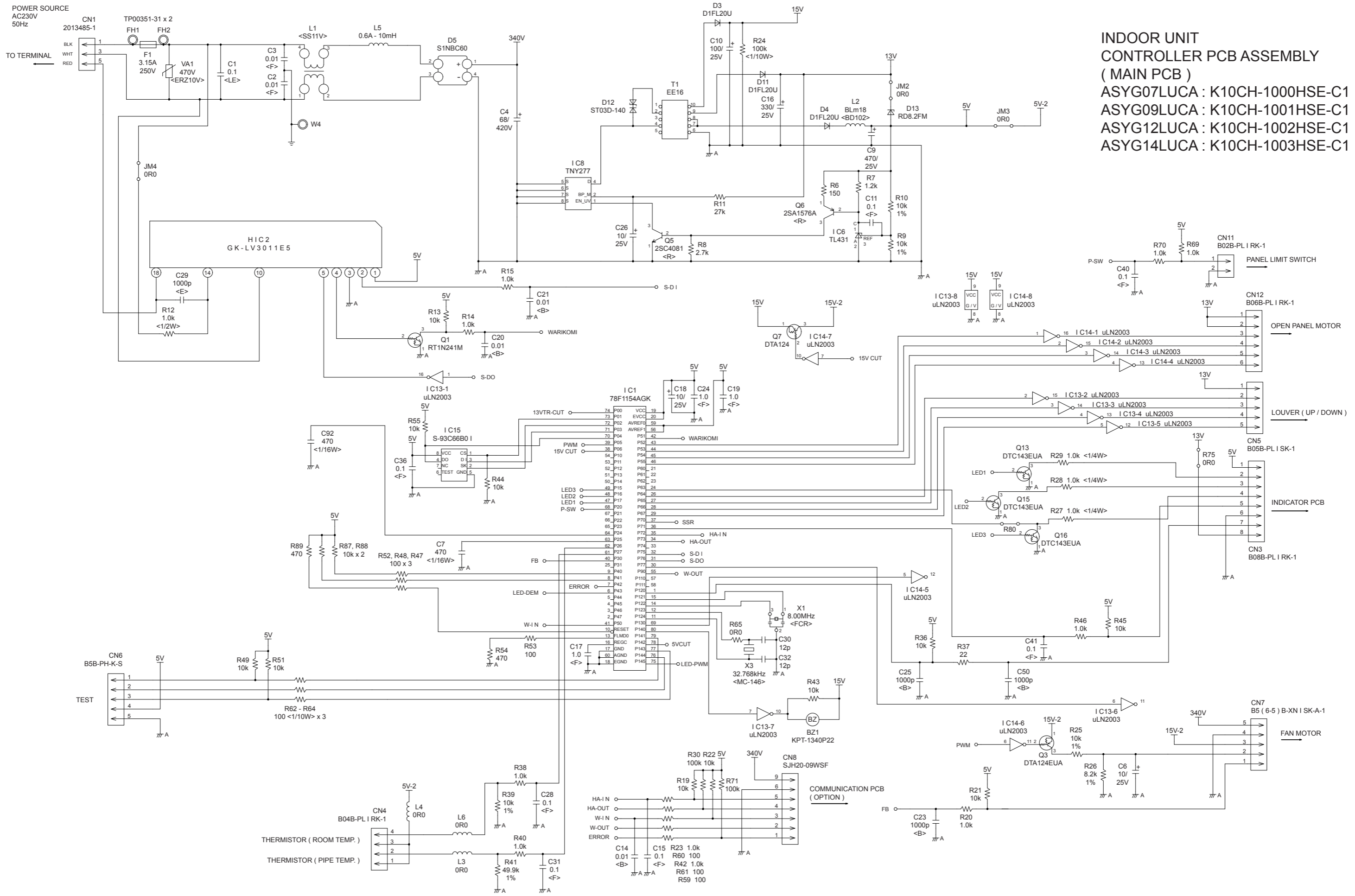


WIRED REMOTE CONTROL UNIT



TO WIRED
REMOTE CONTROL

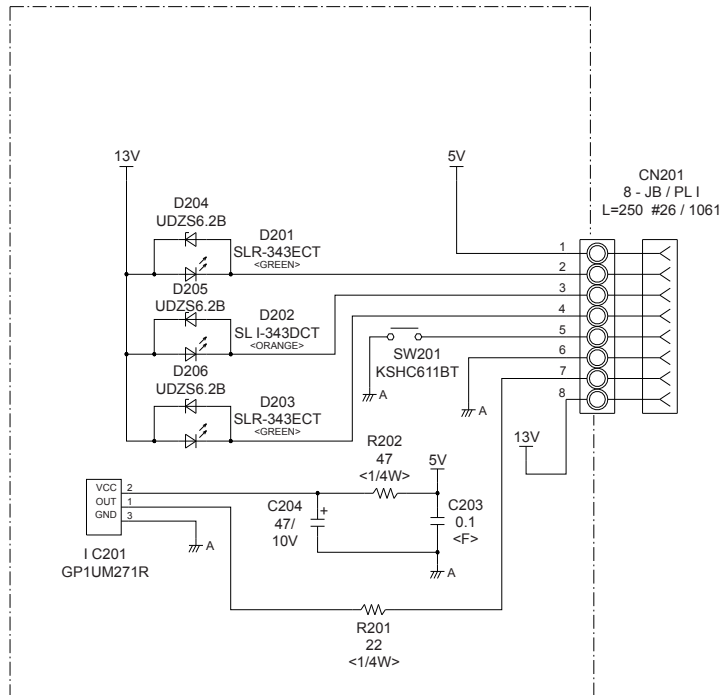




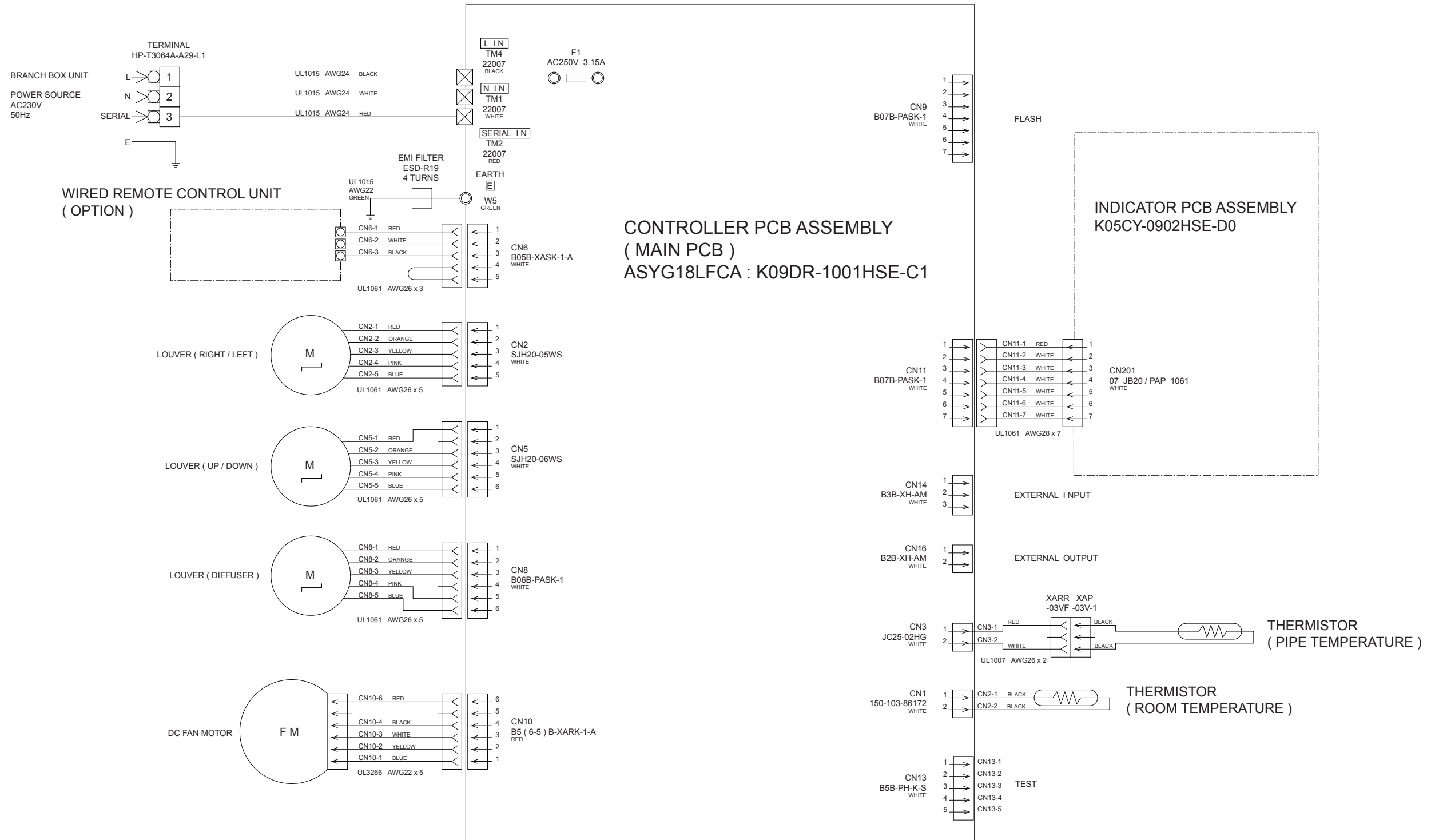
INDOOR UNIT
 CONTROLLER PCB ASSEMBLY
 (MAIN PCB)
 ASYG07LUCA : K10CH-1000HSE-C1
 ASYG09LUCA : K10CH-1001HSE-C1
 ASYG12LUCA : K10CH-1002HSE-C1
 ASYG14LUCA : K10CH-1003HSE-C1

INDOOR UNIT
COMPACT WALL MOUNTED
ASYG07LUCA
ASYG09LUCA
ASYG12LUCA
ASYG14LUCA

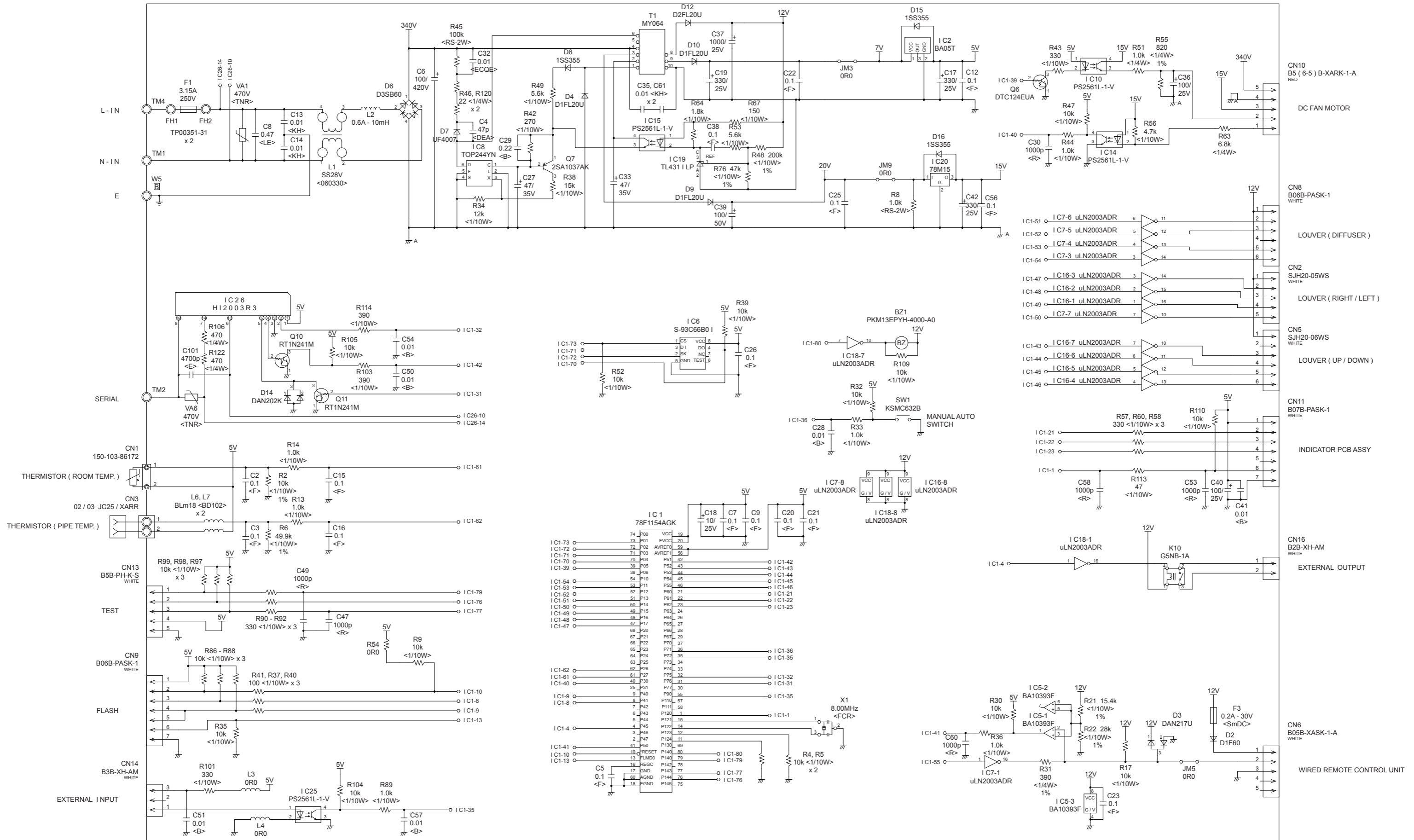
INDICATOR PCB ASSEMBLY
K10CX-1000HSE-D0



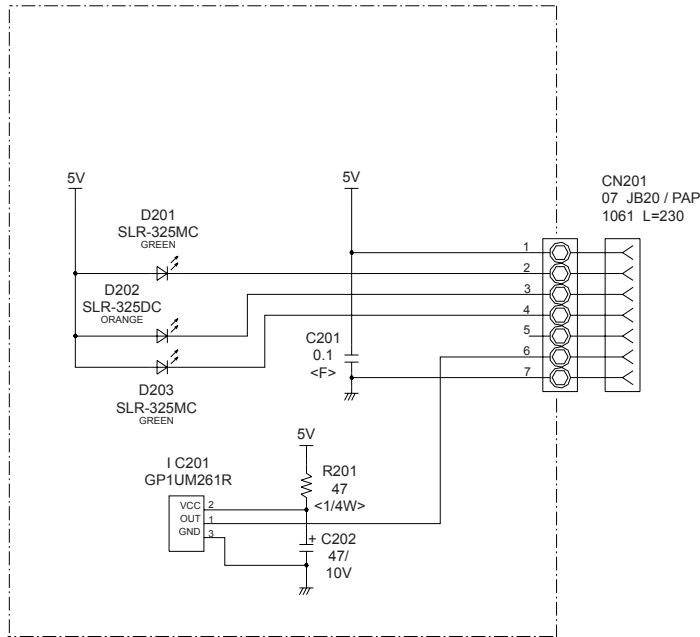
INDOOR UNIT
WALL MOUNTED
CONTROL UNIT
ASYG18LFCA : EZ-010YHSE



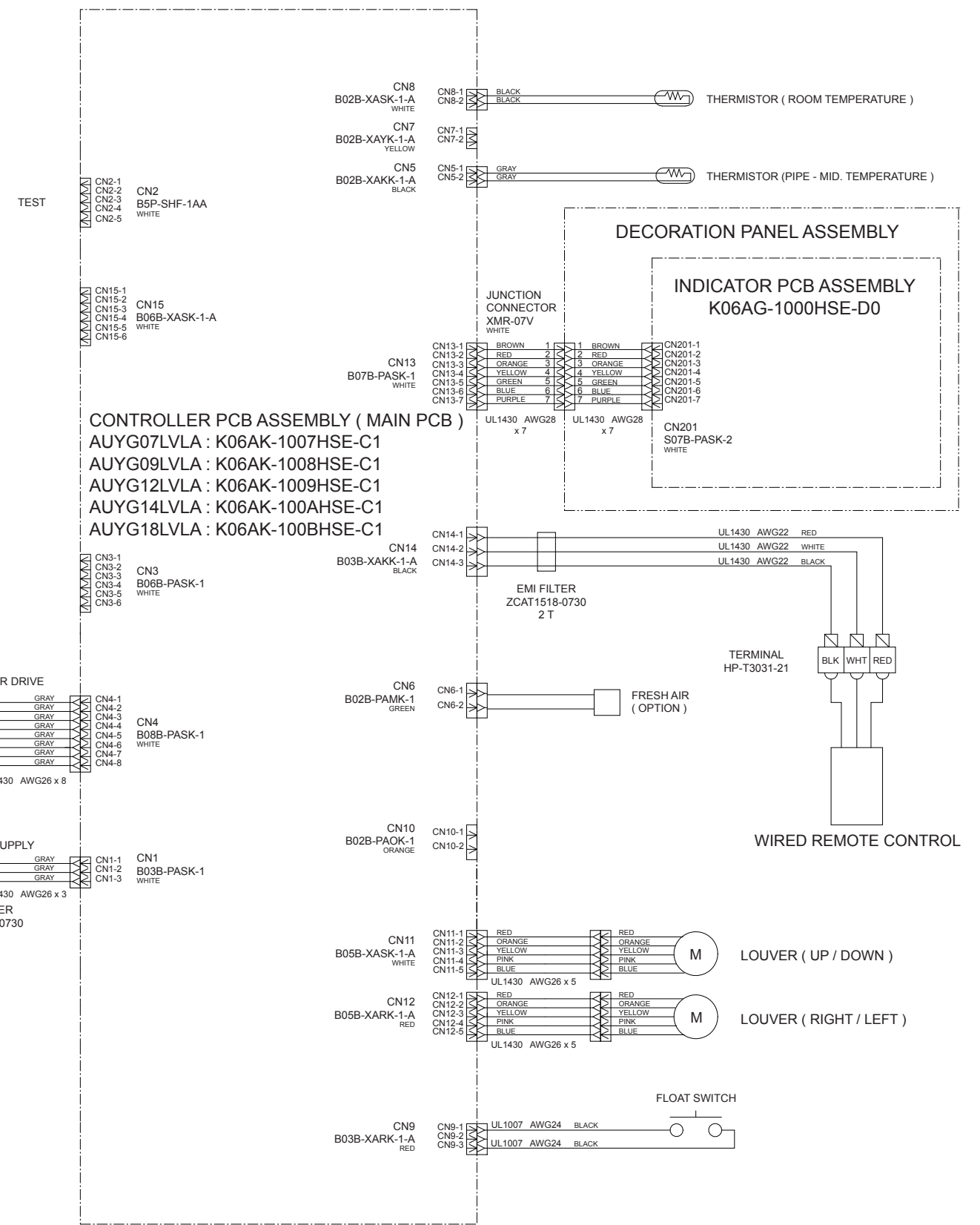
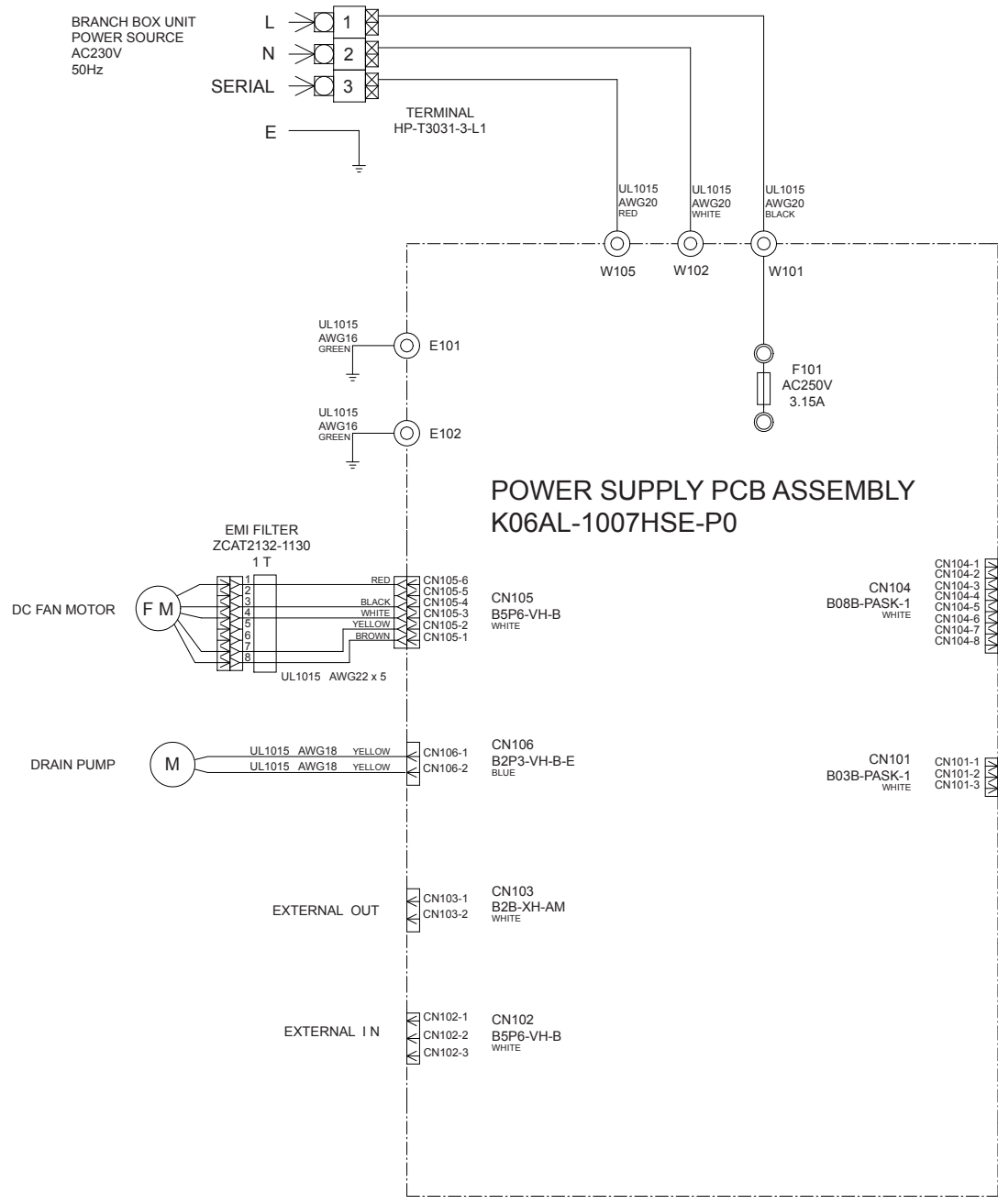
INDOOR UNIT
 WALL MOUNTED
 CONTROLLER PCB ASSEMBLY
 (MAIN PCB)
 ASYG18LFCA : K09DR-1001HSE-C1



INDOOR UNIT
 WALL MOUNTED
 ASYG18LFCA
 INDICATOR PCB ASSEMBLY
 K05CY-0902HSE-D0

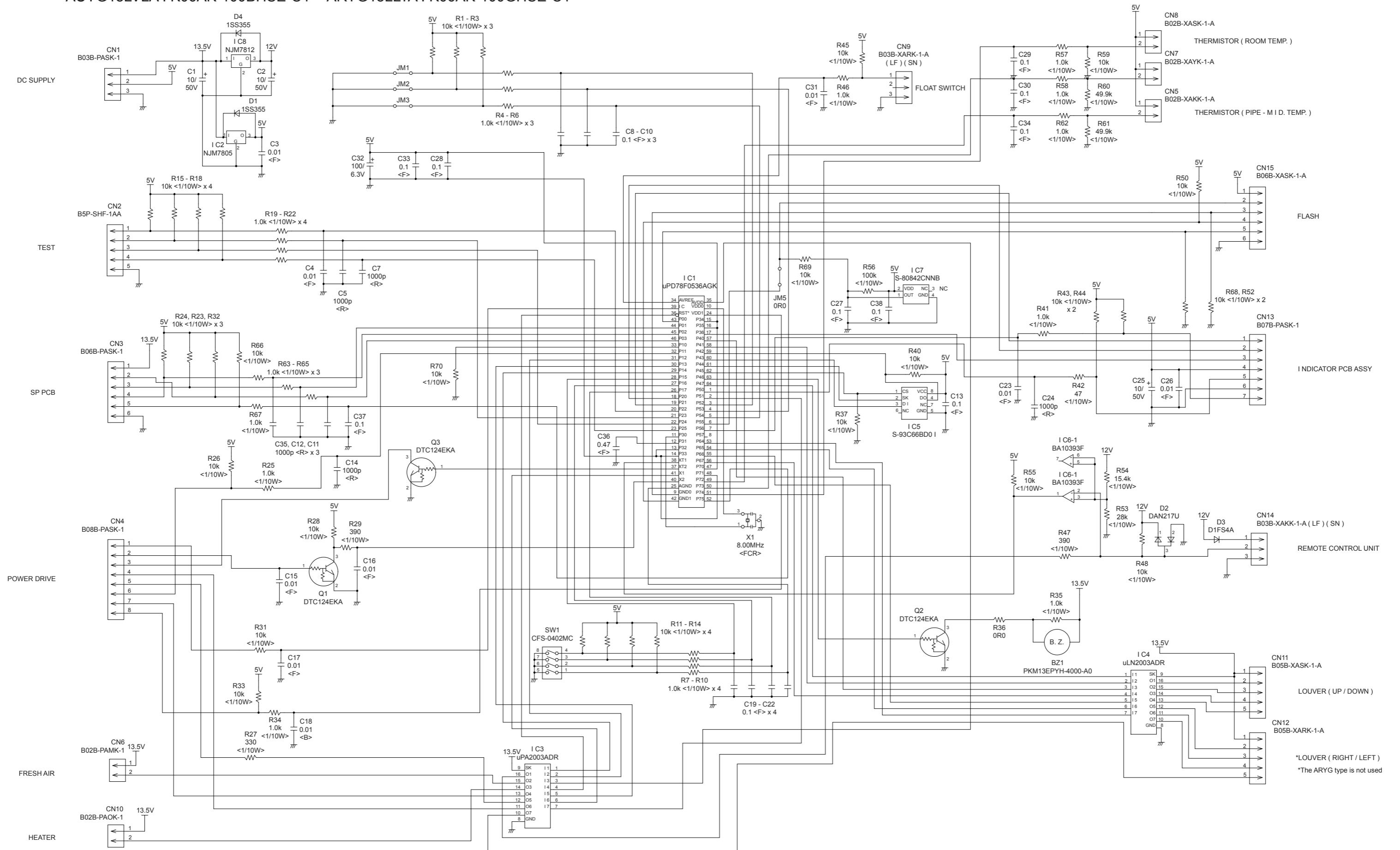


INDOOR UNIT
 COMPACT CASSETTE
 CONTROL UNIT
 AUYG07LVLA : EZ-01004HSE
 AUYG09LVLA : EZ-01005HSE
 AUYG12LVLA : EZ-01006HSE
 AUYG14LVLA : EZ-01007HSE
 AUYG18LVLA : EZ-01008HSE

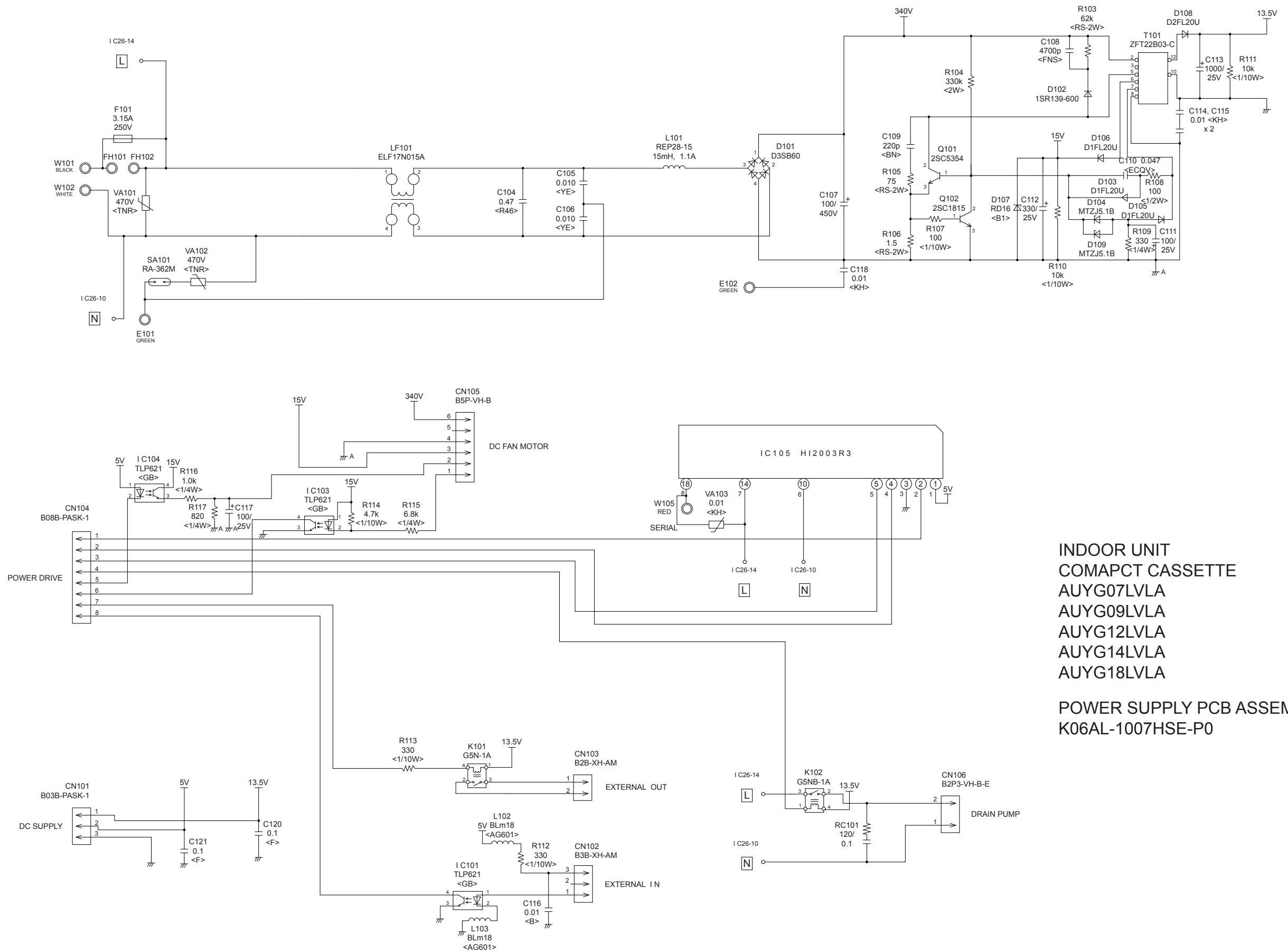


INDOOR UNIT
CONTROLLER PCB ASSEMBLY (MAIN PCB)

AUYG07LVLA : K06AK-1007HSE-C1 ARYG07LLTA : K06AK-100CHSE-C1 ABYG14LVTA : K06AK-100KHSE-C1
 AUYG09LVLA : K06AK-1008HSE-C1 ARYG09LLTA : K06AK-100DHSE-C1 ABYG18LVTA : K06AK-100LHSE-C1
 AUYG12LVLA : K06AK-1009HSE-C1 ARYG12LLTA : K06AK-100EHSE-C1
 AUYG14LVLA : K06AK-100AHSE-C1 ARYG14LLTA : K06AK-100FHSE-C1
 AUYG18LVLA : K06AK-100BHSE-C1 ARYG18LLTA : K06AK-100GHSE-C1



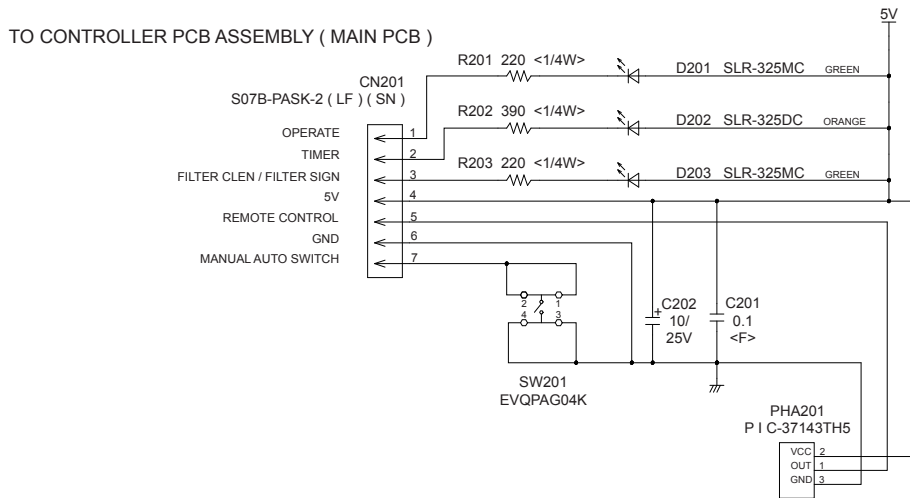
*LOUVER (RIGHT / LEFT)
*The ARYG type is not used



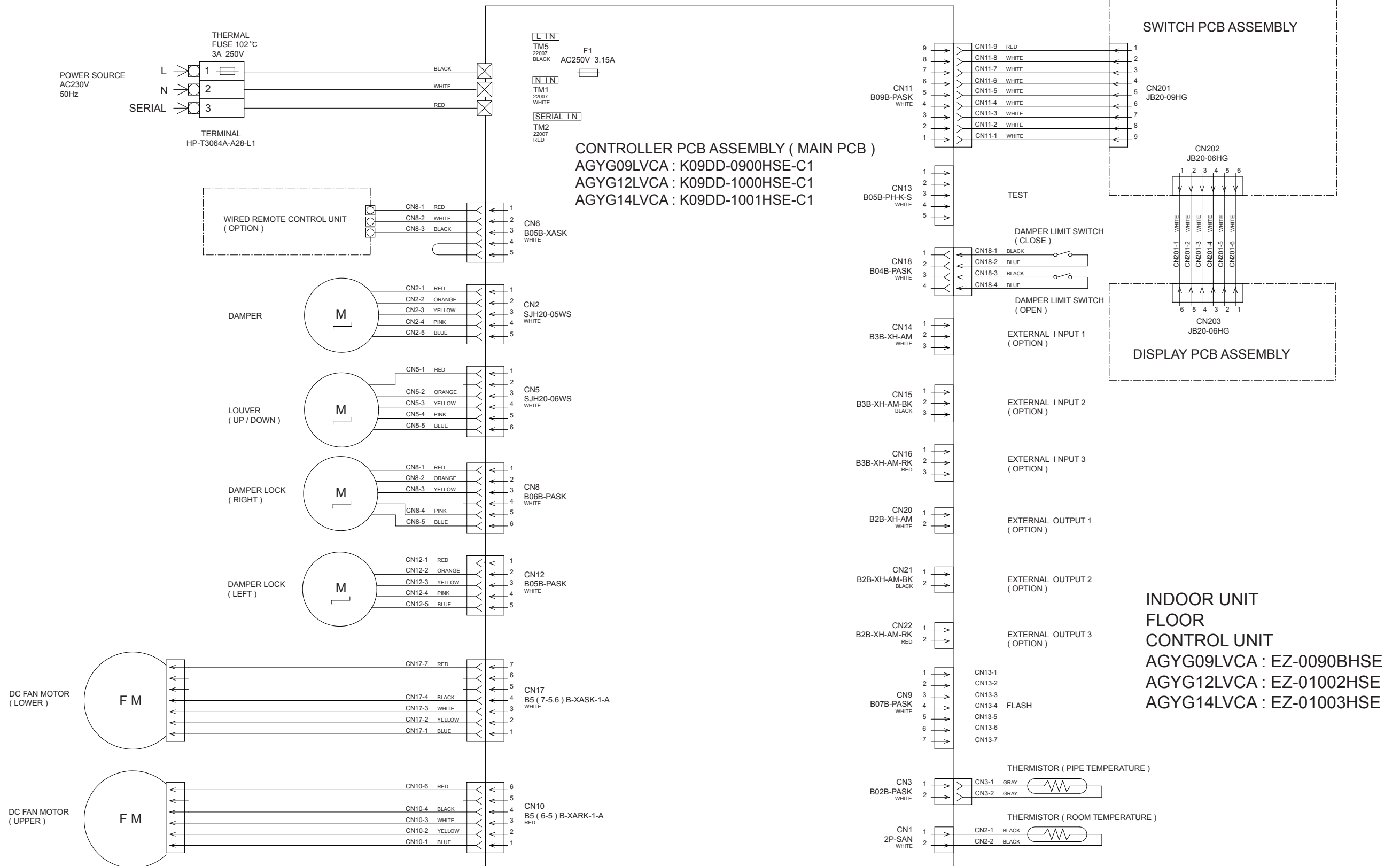
**INDOOR UNIT
 COMAPCT CASSETTE
 AUYG07LVLA
 AUYG09LVLA
 AUYG12LVLA
 AUYG14LVLA
 AUYG18LVLA**
**POWER SUPPLY PCB ASSEMBLY
 K06AL-1007HSE-P0**

INDOOR UNIT
 COMPACT CASSETTE
 AUYG07LVLA
 AUYG09LVLA
 AUYG12LVLA
 AUYG14LVLA
 AUYG18LVLA

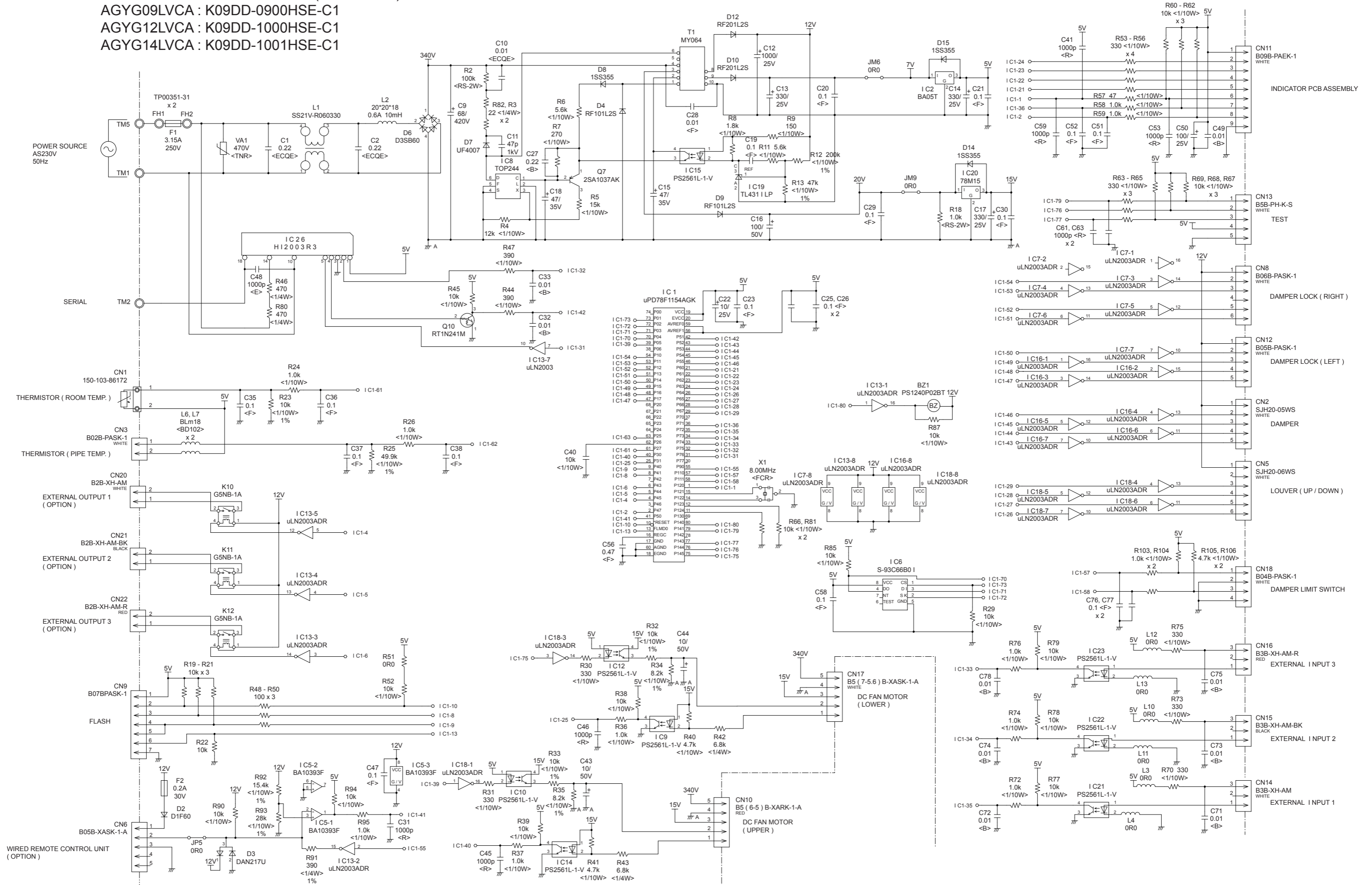
INDICATOR PCB ASSEMBLY (OPTION)
 K06AG-1000HSE-D0



INDICATOR PCB ASSEMBLY (SWITCH + DISPLAY)
K06DD-0801HSE-F0

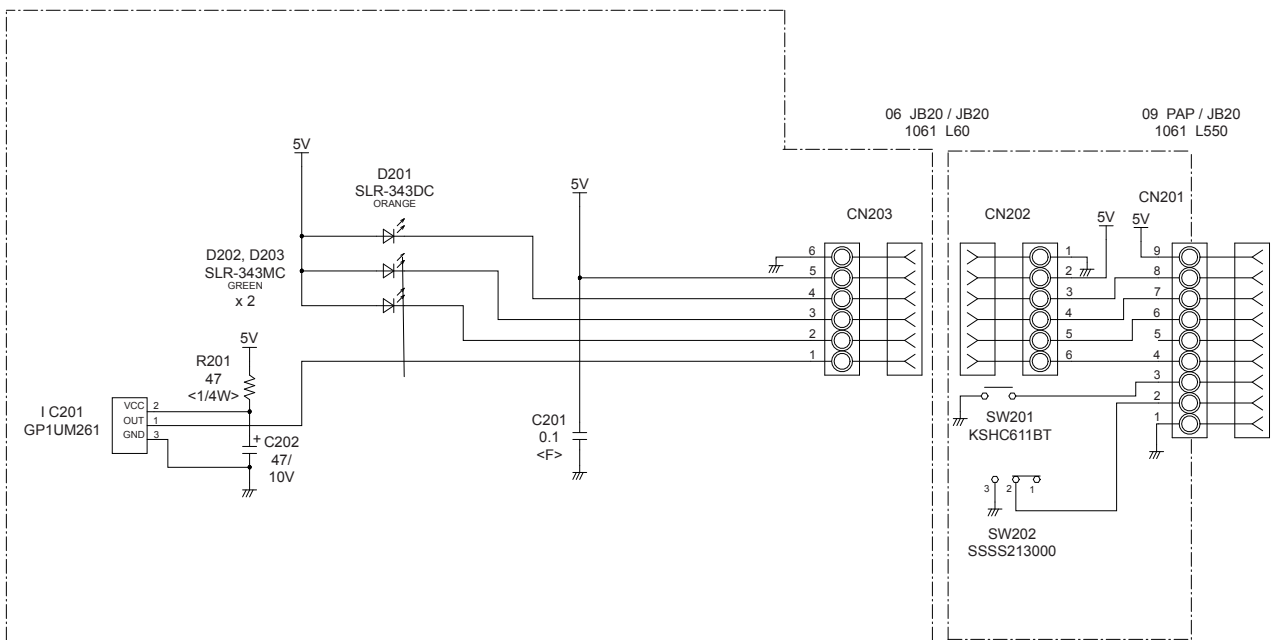


INDOOR UNIT
 FLOOR
 CONTROLLER PCB ASSEMBLY (MAIN PCB)
 AGYG09LVCA : K09DD-0900HSE-C1
 AGYG12LVCA : K09DD-1000HSE-C1
 AGYG14LVCA : K09DD-1001HSE-C1

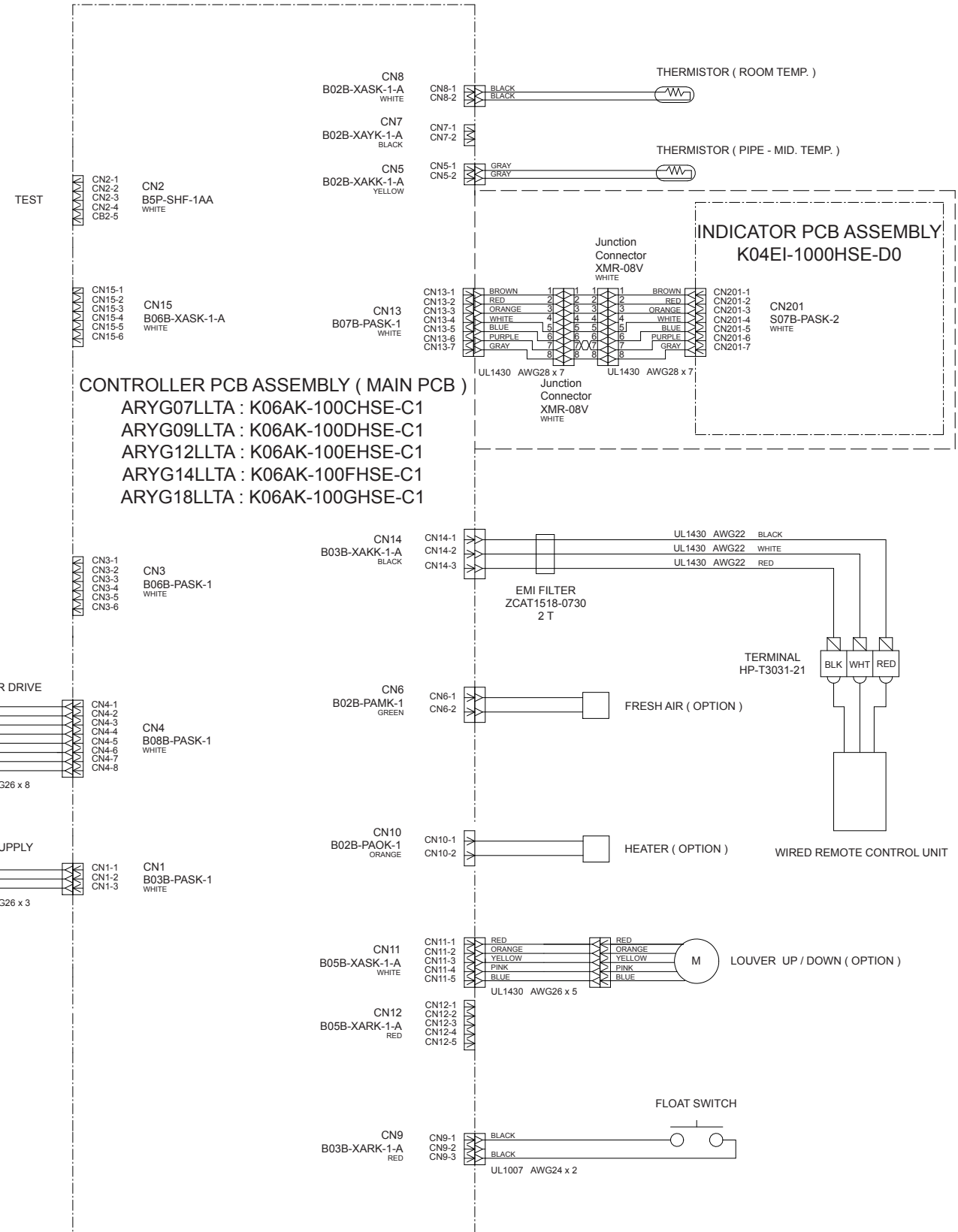
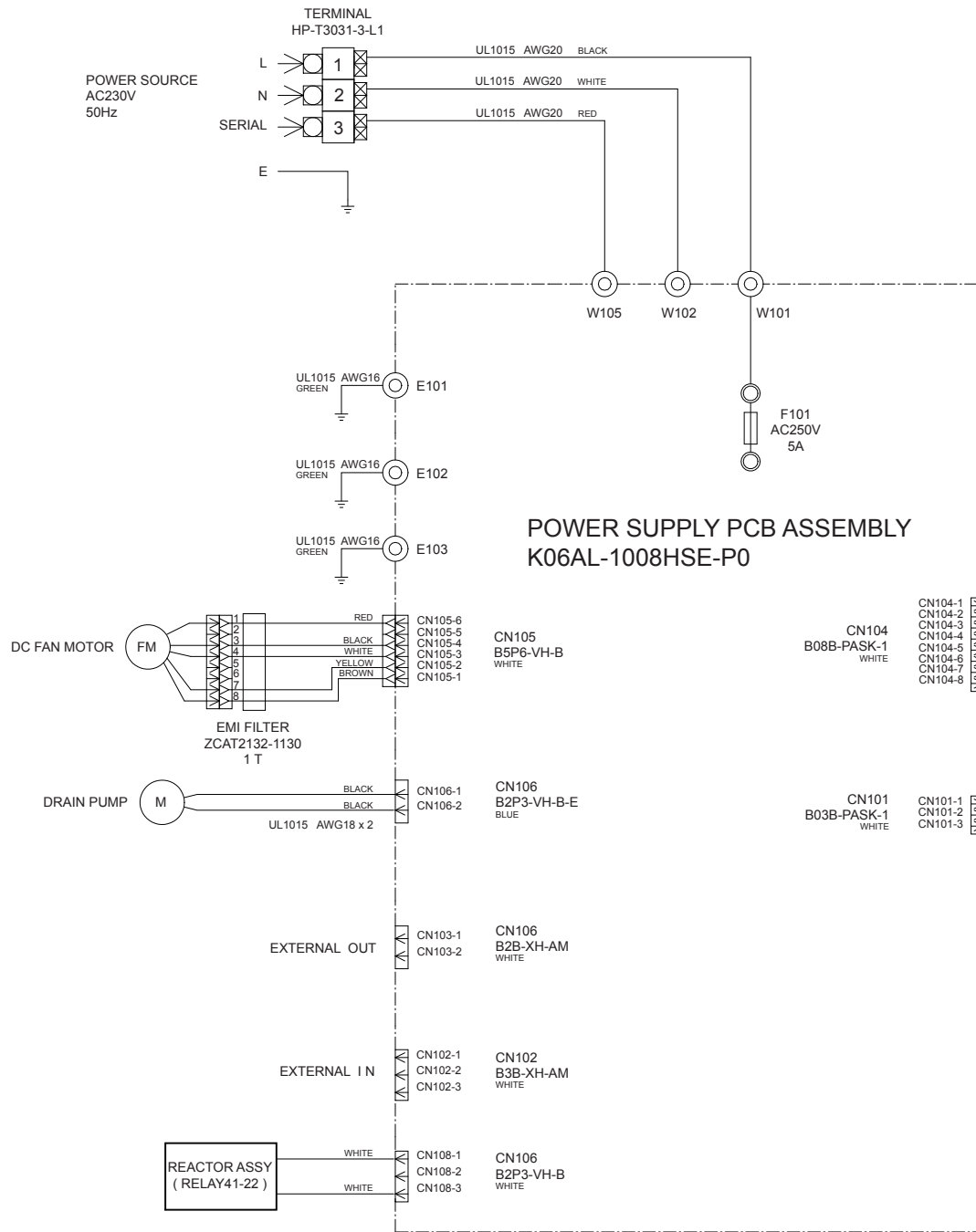


INDOOR UNIT
 FLOOR
 AGYG09LVCA
 AGYG12LVCA
 AGYG14LVCA

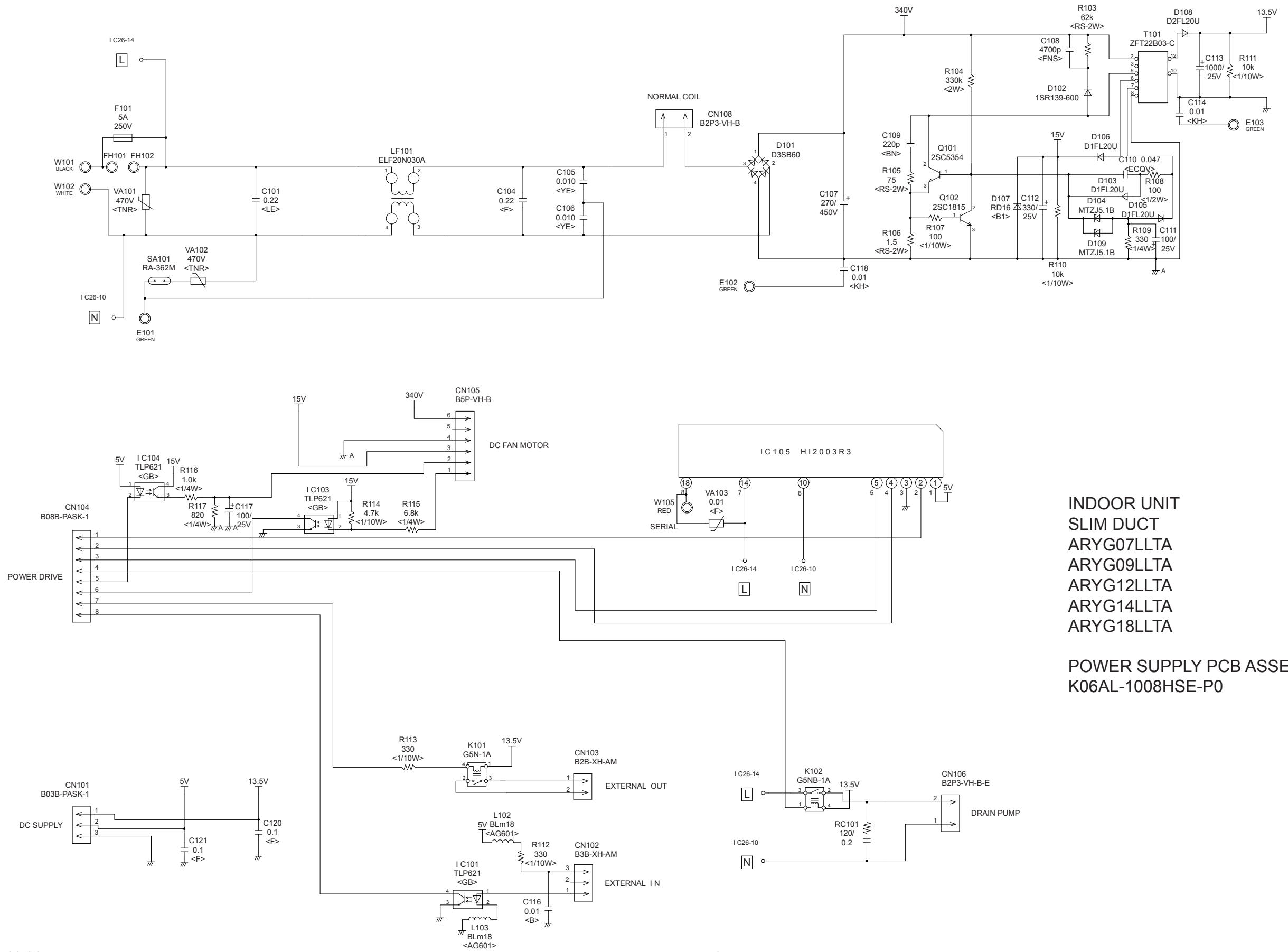
INDICATOR PCB ASSEMBLY
 K06DD-0801HSE-F0



INDOOR UNIT
 SLIM DUCT
 CONTROL UNIT
 ARYG07LLTA : EZ-01009HSE
 ARYG09LLTA : EZ-0100AHSE
 ARYG12LLTA : EZ-0100BHSE
 ARYG14LLTA : EZ-0100CHSE
 ARYG18LLTA : EZ-0100DHSE



RECEIVER UNIT
 (OPTION)

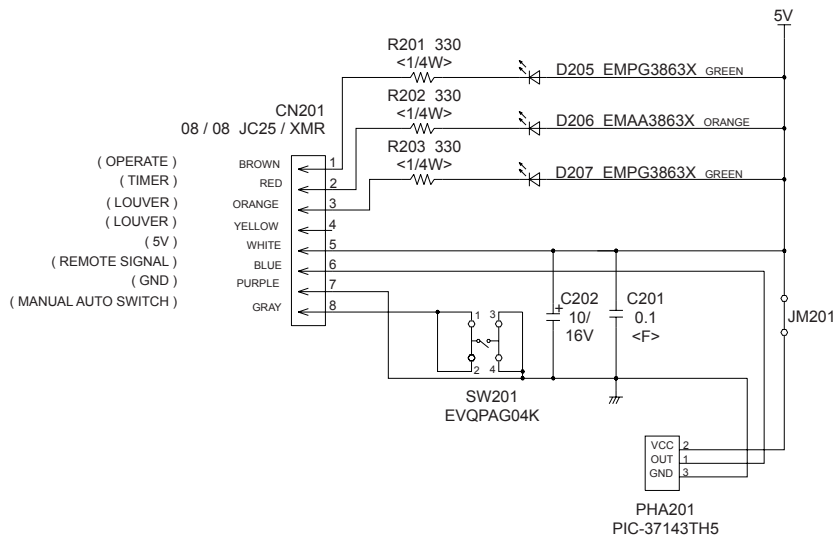


INDOOR UNIT
 SLIM DUCT
 ARYG07LLTA
 ARYG09LLTA
 ARYG12LLTA
 ARYG14LLTA
 ARYG18LLTA

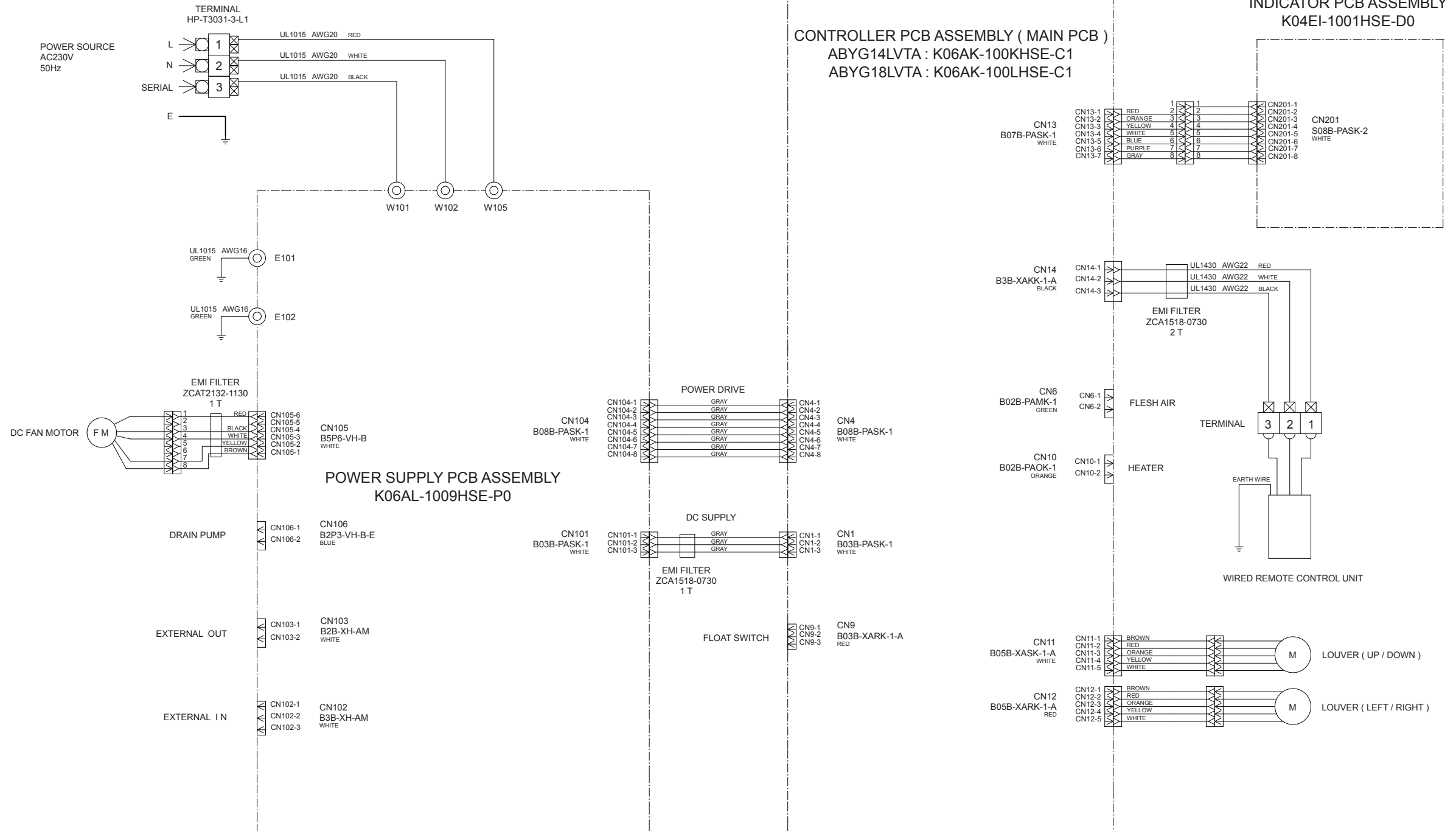
POWER SUPPLY PCB ASSEMBLY
 K06AL-1008HSE-P0

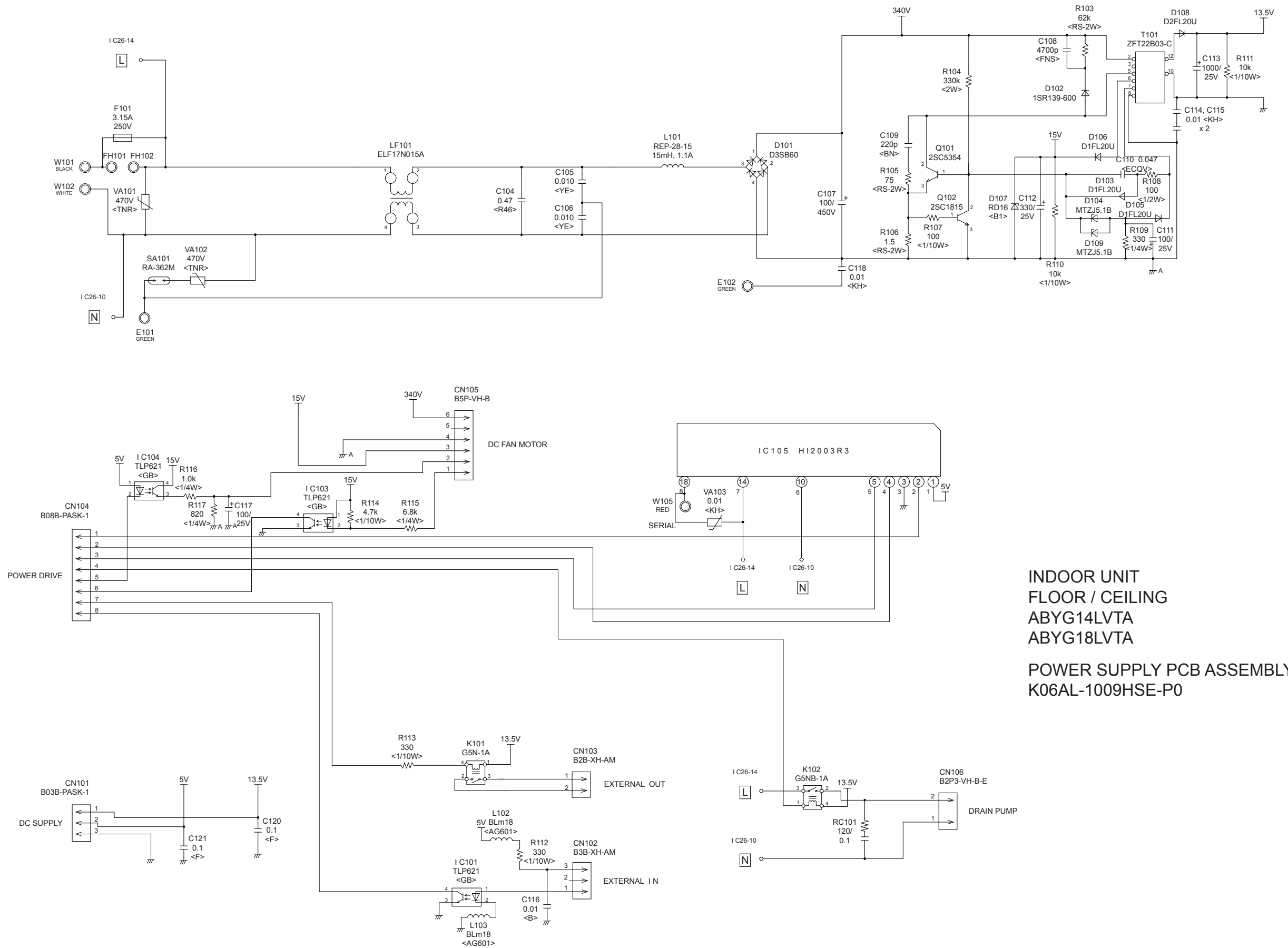
INDOOR UNIT
 SLIM DUCT
 ARYG07LLTA
 ARYG09LLTA
 ARYG12LLTA
 ARYG14LLTA
 ARYG18LLTA

INDICATOR PCB ASSEMBLY (OPTION)
 K04EI-1000HSE-D0



INDOOR UNIT
 FLOOR / CEILING
 CONTROL UNIT
 ABYG14LVTA : EZ-0100FHSE
 ABYG18LVTA : EZ-0100GHSE

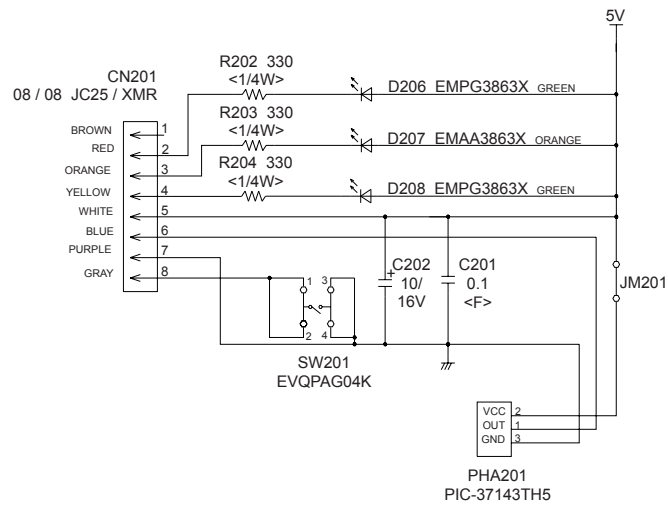




INDOOR UNIT
 FLOOR / CEILING
 ABYG14LVTA
 ABYG18LVTA
 POWER SUPPLY PCB ASSEMBLY
 K06AL-1009HSE-P0

INDOOR UNIT
 FLOOR / CEILING
 ABYG14LVTA
 ABYG18LVTA

INDICATOR PCB ASSEMBLY (OPTION)
 K04EI-1001HSE-D0



ERROR DETECTION

● : flashing

— : Off

OUTDOOR UNIT

	LED 1	LED 2	LED 3
Communication error (outdoor unit to indoor unit A)	● 1 time	—	—
Communication error (outdoor unit to indoor unit B)	—	● 1 time	—
Communication error (outdoor unit to indoor unit C)	—	—	● 1 time
Discharge pipe thermistor	● 2 times	—	—
Outdoor unit, heat exchanger thermistor (middle)	● 3 times	—	—
Outdoor thermistor error	● 4 times	—	—
2-way valve thermistor (indoor unit A)	● 5 times	—	—
2-way valve thermistor (indoor unit B)	—	● 5 times	—
2-way valve thermistor (indoor unit C)	—	—	● 5 times
3-way valve thermistor (indoor unit A)	● 6 times	—	—
3-way valve thermistor (indoor unit B)	—	● 6 times	—
3-way valve thermistor (indoor unit C)	—	—	● 6 times
Compressor thermistor error	● 7 times	—	—
Heatsink thermistor error	● 8 times	—	—
High pressure switch 1 error	● 9 times	—	—
High pressure switch 2 error	● 10 times	—	—
Indoor unit capacity error	● 11 times	—	—
Trip detection	● 12 times	—	—
Compressor rotor position detection error	● 13 times	—	—
Trip terminal L error	● 14 times	—	—
Outdoor unit fan motor error	● 15 times	—	—
Outdoor unit PCB microcomputer communication error	● 17 times	—	—
Discharge temperature error	● 18 times	—	—
Compressor temperature error	● 19 times	—	—
4-way valve error	● 20 times	—	—
Outdoor unit PCB model information error	● 21 times	—	—
Active filter error, PFC circuit error	● 22 times	—	—

- : 0.5s on / 0.5s off
- ◇ : 0.1s on / 0.1s off
- () : Number of flashing

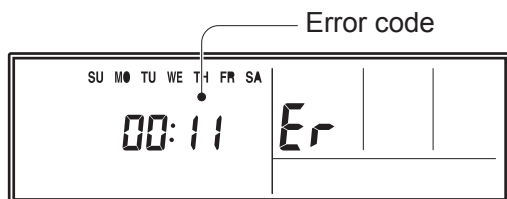
INDOOR UNIT and WIRED REMOTE CONTROL

If you use a wireless remote control, the lamp on the photo detector unit will output error codes by way of blinking patterns.

If you use a wired type remote control, error codes will appear on the remote control display. See the lamp blinking patterns and error codes in the table. An error display is displayed only during running.

This is possible only on a wired remote control.

If an error occurs, the following display will be shown. ("Er" will appear in the set room temperature display.)

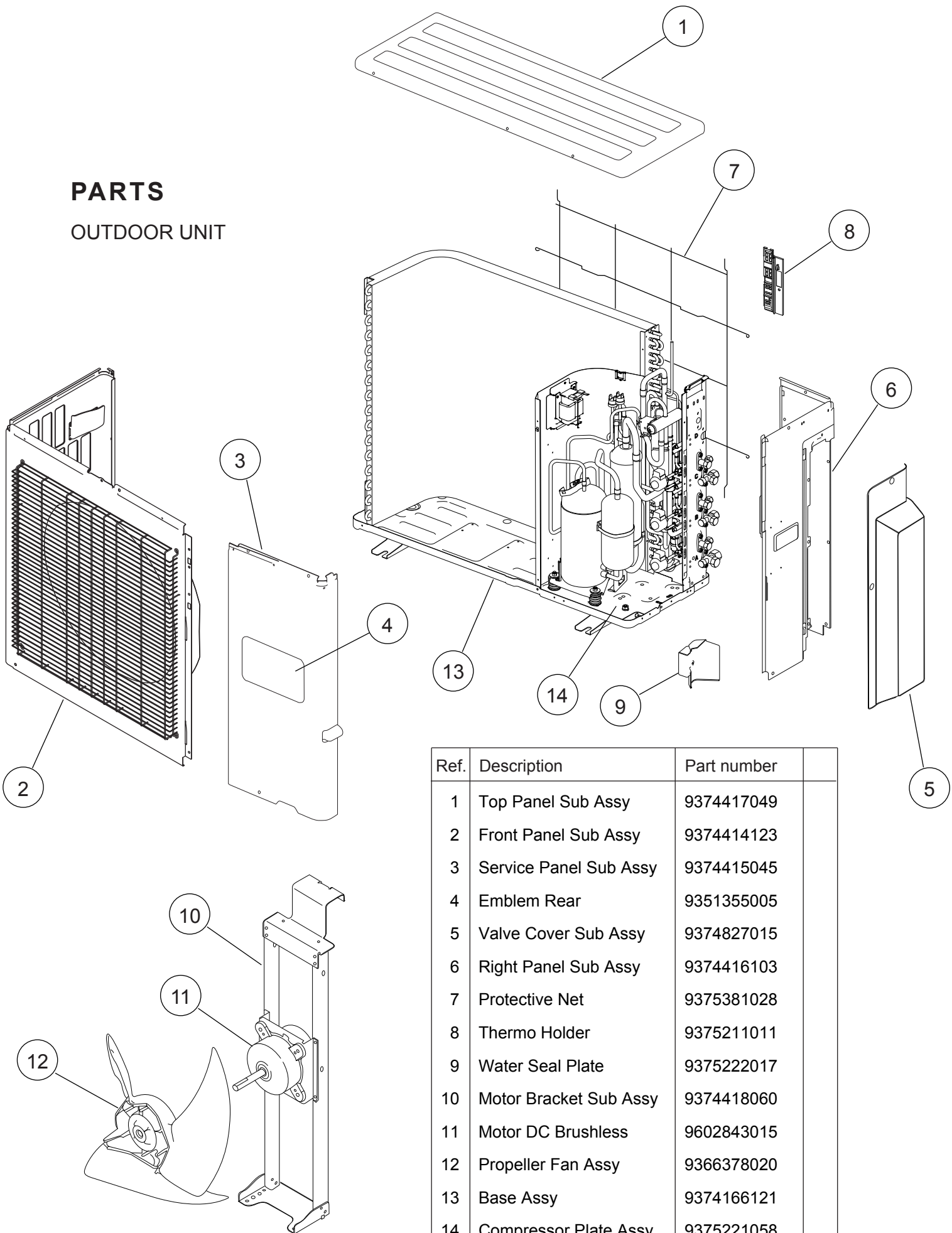


EX. Self-diagnosis

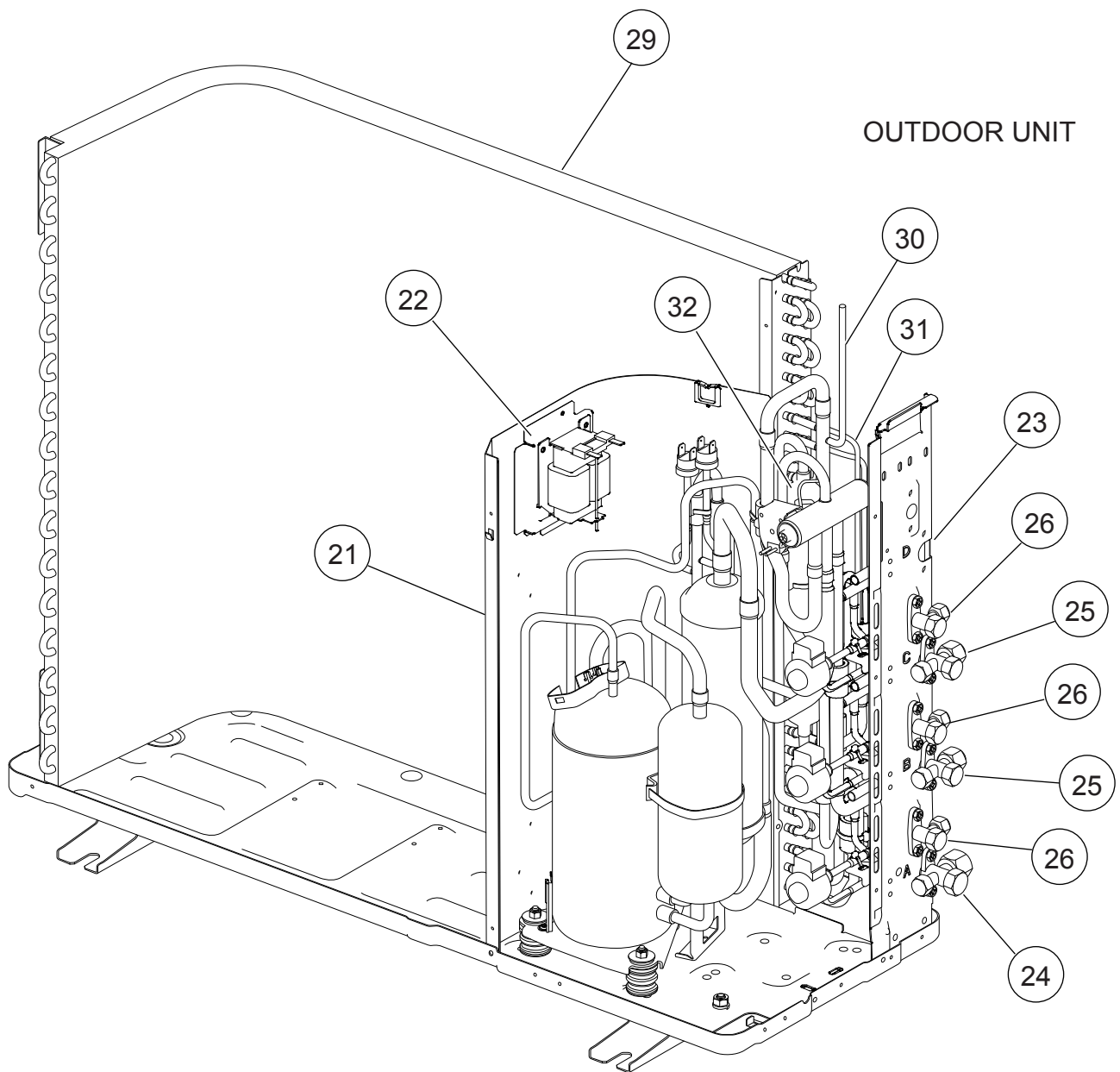
Indoor unit			Wired remote control	Description
OPERATION lamp (green)	TIMER lamp (orange)	ECONOMY lamp (green)		
●(1)	●(1)	◇	11	Serial communication error
●(1)	●(2)	◇	12	Wired remote control communication error
●(1)	●(5)	◇	15	Check run unfinished
●(2)	●(1)	◇	21	Unit number or Refrigerant circuit address setting error [Simultaneous Multi]
●(2)	●(2)	◇	22	Indoor unit capacity error
●(2)	●(3)	◇	23	Combination error
●(2)	●(4)	◇	24	• Connection unit number error (indoor slave unit) [Simultaneous Multi] • Connection unit number error (indoor unit or branch unit) [Flexible Multi]
●(2)	●(7)	◇	27	Master unit, slave unit set-up error [Simultaneous Multi]
●(3)	●(2)	◇	32	Indoor unit PCB model information error
●(3)	●(5)	◇	35	Manual auto switch error
●(4)	●(1)	◇	41	Inlet air temp. sensor error
●(4)	●(2)	◇	42	Indoor unit Heat Ex. Middle temp. sensor error
●(5)	●(1)	◇	51	Indoor unit fan motor error
●(5)	●(3)	◇	53	Drain pump error
●(5)	●(7)	◇	57	Damper error
●(5)	●(15)	◇	5U	Indoor unit error
●(6)	●(2)	◇	62	Outdoor unit main PCB model information error or communication error
●(6)	●(3)	◇	63	Inverter error
●(6)	●(4)	◇	64	Active filter error, PFC circuit error
●(6)	●(5)	◇	65	Trip terminal L error
●(6)	●(10)	◇	6A	Display PCB microcomputers communication error
●(7)	●(1)	◇	71	Discharge temp. sensor error
●(7)	●(2)	◇	72	Compressor temp. sensor error
●(7)	●(3)	◇	73	Outdoor unit Heat Ex. liquid temp. sensor error
●(7)	●(4)	◇	74	Outdoor temp. sensor error
●(7)	●(5)	◇	75	Suction Gas temp. sensor error
●(7)	●(6)	◇	76	• 2-way valve temp. sensor error • 3-way valve temp. sensor error
●(7)	●(7)	◇	77	Heat sink temp. sensor error
●(8)	●(2)	◇	82	• Sub-cool Heat Ex. gas inlet temp. sensor error • Sub-cool Heat Ex. gas outlet temp. sensor error
●(8)	●(3)	◇	83	Liquid pipe temp. sensor error
●(8)	●(4)	◇	84	Current sensor error
●(8)	●(6)	◇	86	• Discharge pressure sensor error • Suction pressure sensor error • High pressure switch error
●(9)	●(4)	◇	94	Trip detection
●(9)	●(5)	◇	95	Compressor rotor position detection error (permanent stop)
●(9)	●(7)	◇	97	Outdoor unit fan motor error
●(9)	●(9)	◇	99	4-way valve error
●(10)	●(1)	◇	A1	Discharge temp. error
●(10)	●(3)	◇	A3	Compressor temp. error
●(10)	●(4)	◇	A4	High pressure error
●(10)	●(5)	◇	A5	Low pressure error
●(13)	●(2)	◇	J2	Branch boxes error [Flexible Multi]

PARTS

OUTDOOR UNIT



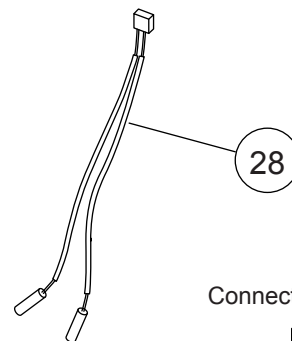
Ref.	Description	Part number
1	Top Panel Sub Assy	9374417049
2	Front Panel Sub Assy	9374414123
3	Service Panel Sub Assy	9374415045
4	Emblem Rear	9351355005
5	Valve Cover Sub Assy	9374827015
6	Right Panel Sub Assy	9374416103
7	Protective Net	9375381028
8	Thermo Holder	9375211011
9	Compressor Plate Assy	9375222017
10	Motor Bracket Sub Assy	9374418060
11	Motor DC Brushless	9602843015
12	Propeller Fan Assy	9366378020
13	Base Assy	9374166121
14	Compressor Plate Assy	9375221058
--	Drain Assy	9303029015
--	Drain Cap	313166024302



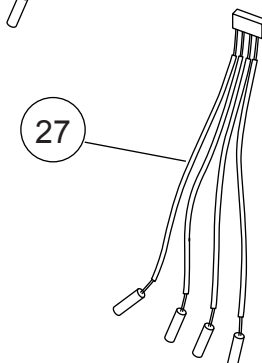
OUTDOOR UNIT

Ref.	Description	Part number
21	Separate Wall Sub Assy	9374413164
22	Choke Coil	9900366018
23	Valve Plate Assy	9374628148
24	3-way Valve Assy (1/2")	9375104016
25	3-way Valve Assy (3/8")	9375103019
26	2-way Valve Assy	9375102012
27	Pipe Thermistor (White)	9900543020
28	Pipe Thermistor (Red)	9900632007
29	Condenser A Assy	9374433179
30	Inlet Pipe (Cond) A Assy	9373461104
31	Outlet Pipe (Cond) A Assy	9374266111
32	Receiver Tank Assy	9374575039
--	Strainer Assy	9372524015

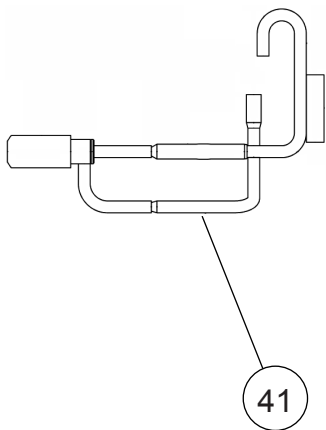
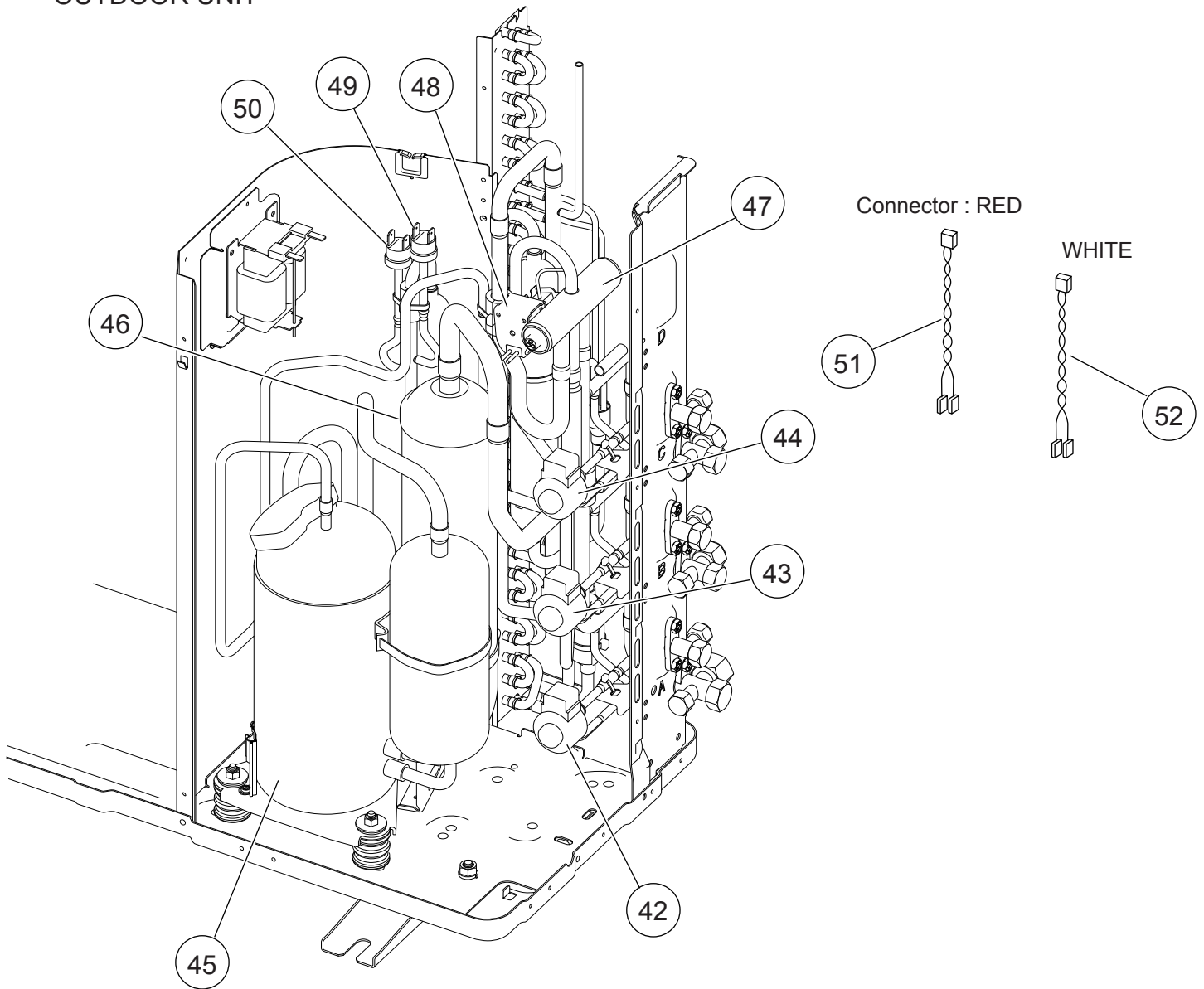
Connector : RED



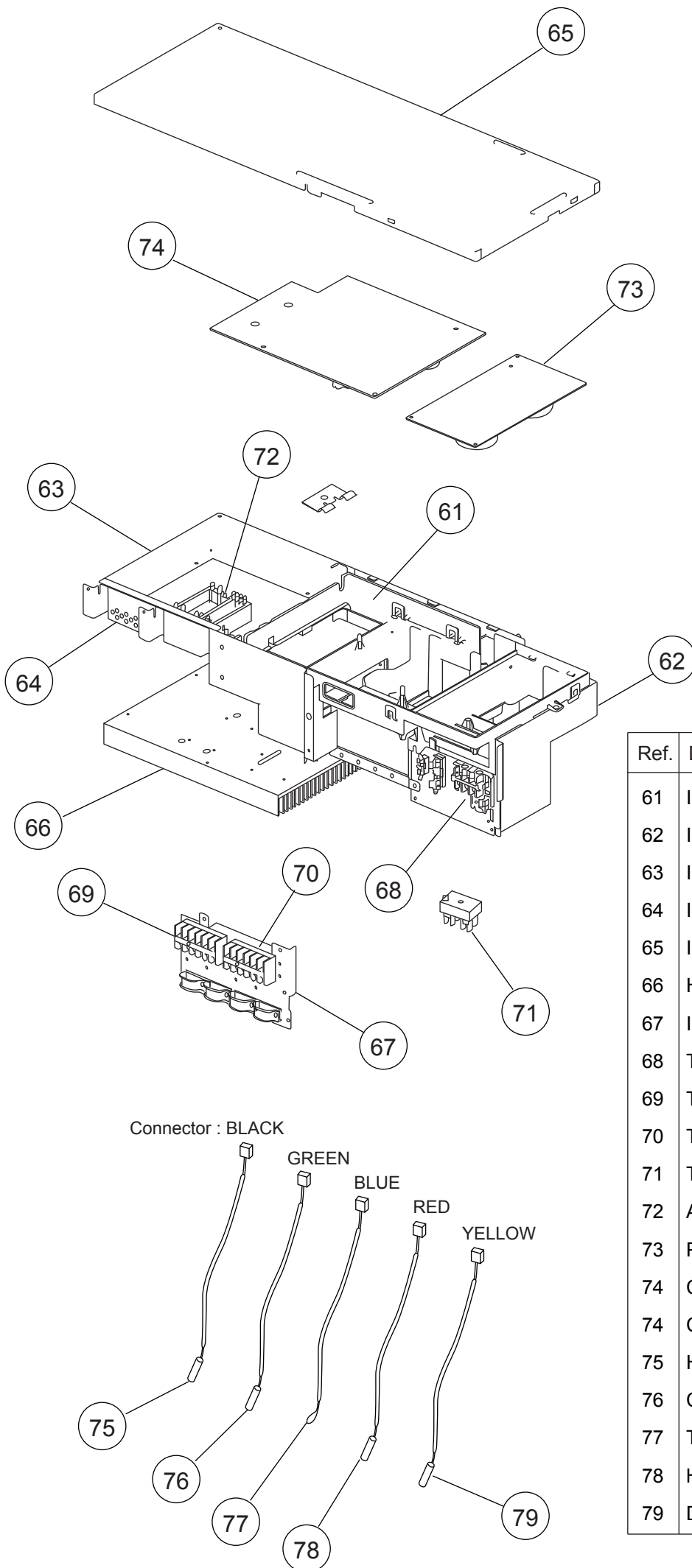
Connector : WHITE



OUTDOOR UNIT



Ref.	Description	Part number
41	Expansion Valve Assy	9370947151
42	Expansion Valve Coil (A=Red)	9970101069
43	Expansion Valve Coil (B=White)	9970101038
44	Expansion Valve Coil (C=Green)	9970101045
45	Compressor Sub Assy	9374423187
46	Accumulator Assy	9375250027
47	4-way Valve Assy	9374425136
48	Solenoid	9900165079
49	Pressure Switch A	9900186012
50	Pressure Switch B	9900341015
51	Wire (Pressure Sw) (Red)	9377823014
52	Wire (Pressure Sw) (White)	9377823021

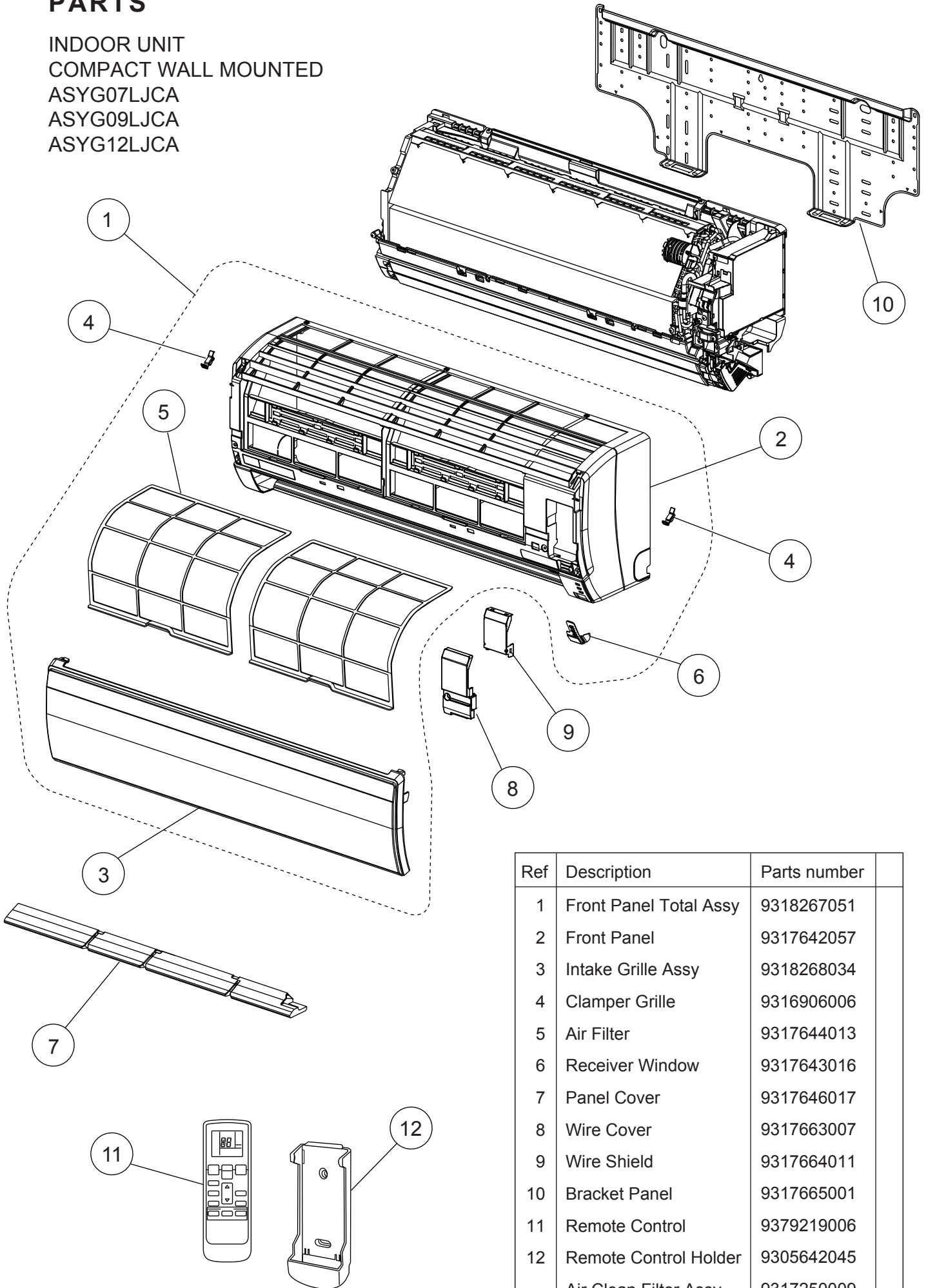


OUTDOOR UNIT

Ref.	Description	Part number
61	Inverter Box A	9374603015
62	Inverter Box B Assy	9374625048
63	Inverter Box C	9375140014
64	Inverter Box Duct	9374609017
65	Inverter Box Cover	9375139018
66	Heat Sink A	9375138011
67	Inverter Box D	9374606047
68	Terminal (3P)	9900203016
69	Terminal (6P)	9900016036
70	Terminal (3P)	9306489045
71	Terminal (3P)	9900433017
72	ACTPM	9703457012
73	Power Supply PCB Assy	9705647091
74	Controller PCB Assy (18)	9708013343
74	Controller PCB Assy (24)	9708013350
75	Heat Sink Thermistor	9900311018
76	Compressor Thermistor	9900156053
77	Thermistor (Outdoor)	9900477011
78	Heat Exchanger Thermistor	9900540005
79	Discharge Thermistor	9900621018

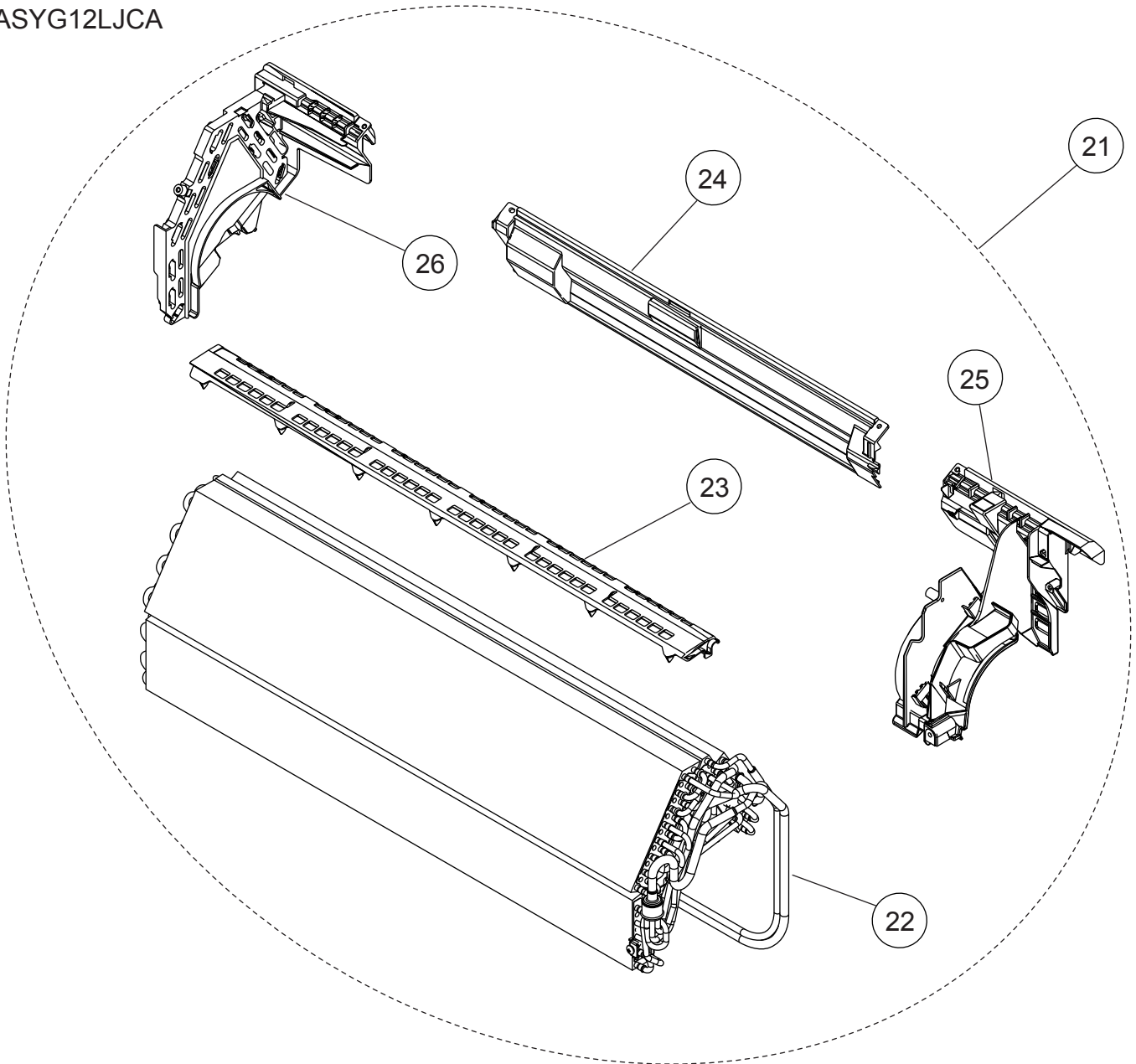
PARTS

INDOOR UNIT
 COMPACT WALL MOUNTED
 ASYG07LJCA
 ASYG09LJCA
 ASYG12LJCA

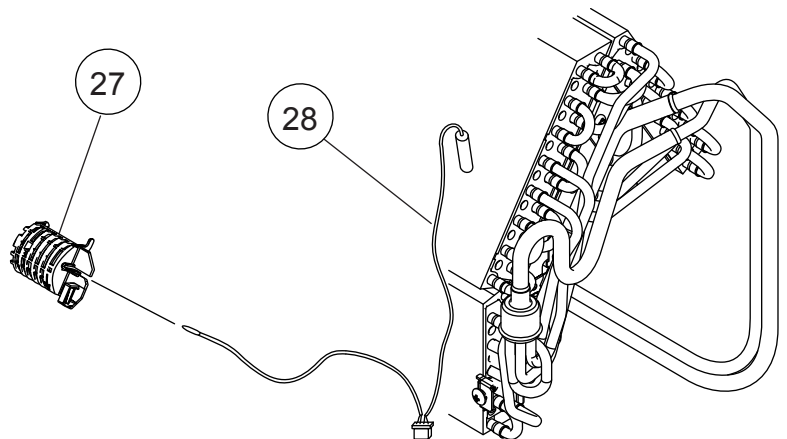


Ref	Description	Parts number
1	Front Panel Total Assy	9318267051
2	Front Panel	9317642057
3	Intake Grille Assy	9318268034
4	Clamper Grille	9316906006
5	Air Filter	9317644013
6	Receiver Window	9317643016
7	Panel Cover	9317646017
8	Wire Cover	9317663007
9	Wire Shield	9317664011
10	Bracket Panel	9317665001
11	Remote Control	9379219006
12	Remote Control Holder	9305642045
--	Air Clean Filter Assy	9317250009

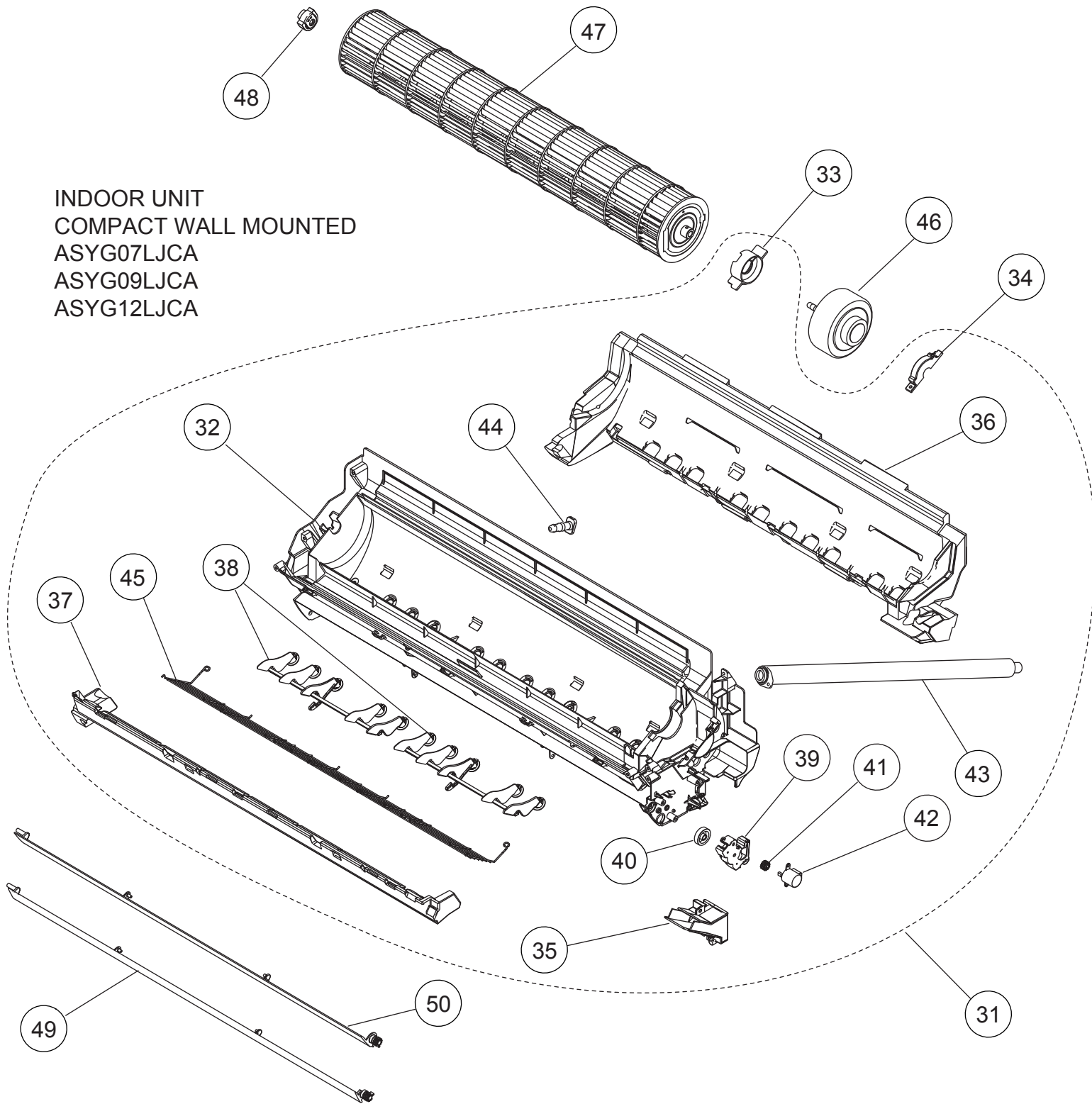
INDOOR UNIT
 COMPACT WALL MOUNTED
 ASYG07LJCA
 ASYG09LJCA
 ASYG12LJCA



Ref	Description	Parts number
21	Evaporator Total Assy	9317820011
22	Joint Pipe Assy	9317838009
23	Filter Guide	9317652001
24	Rear Bracket	9317651004
25	Evaporator Holder R	9317650007
26	Evaporator Holder L	9317649001
27	Holder (Room Thermistor)	9316895003
28	Thermistor Assy	9900563004

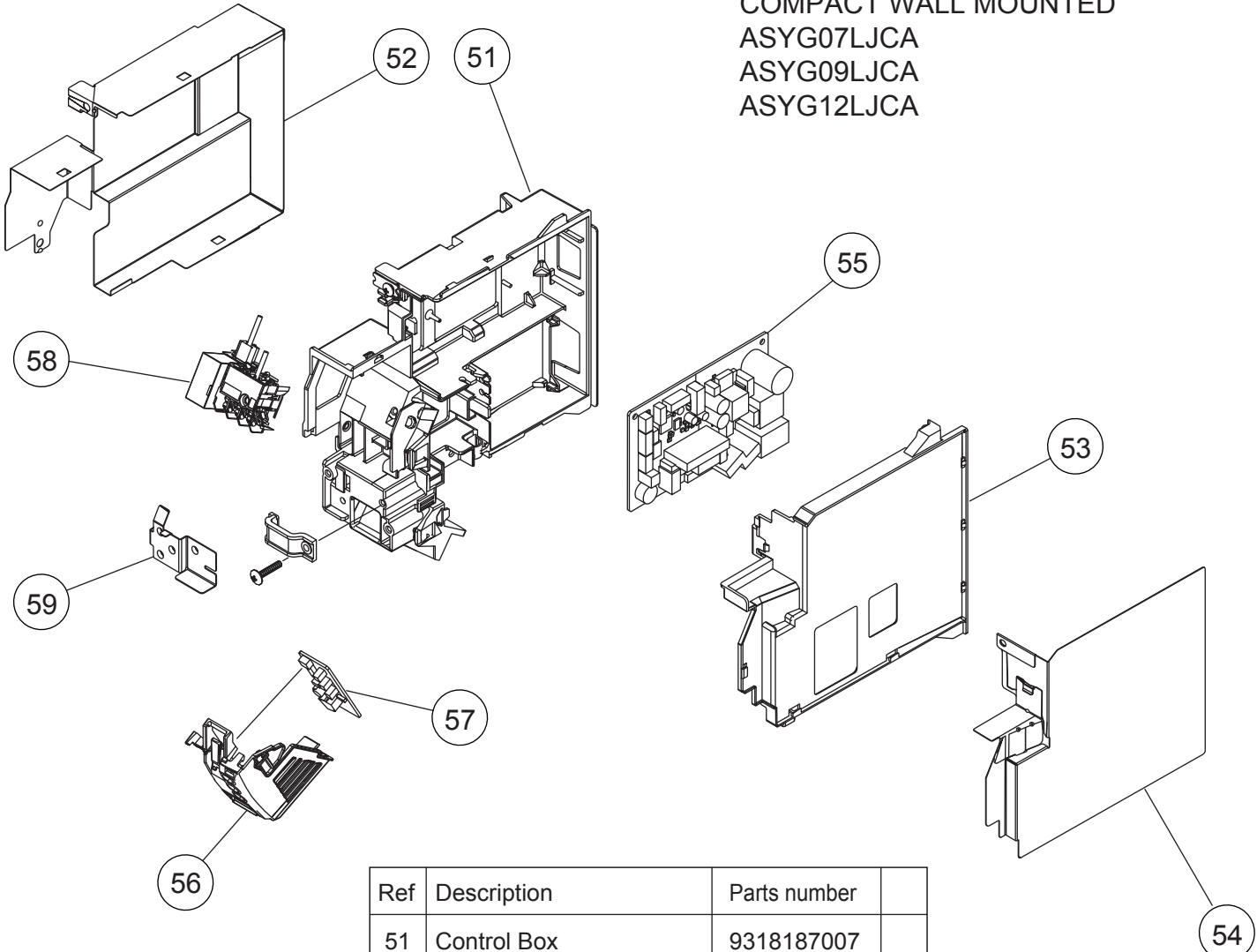


INDOOR UNIT
 COMPACT WALL MOUNTED
 ASYG07LJCA
 ASYG09LJCA
 ASYG12LJCA



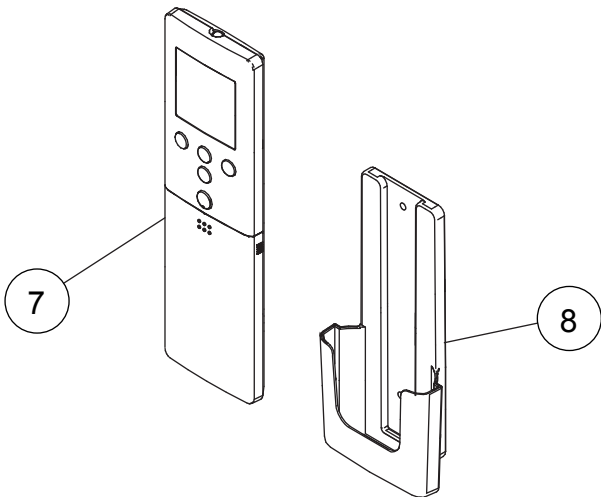
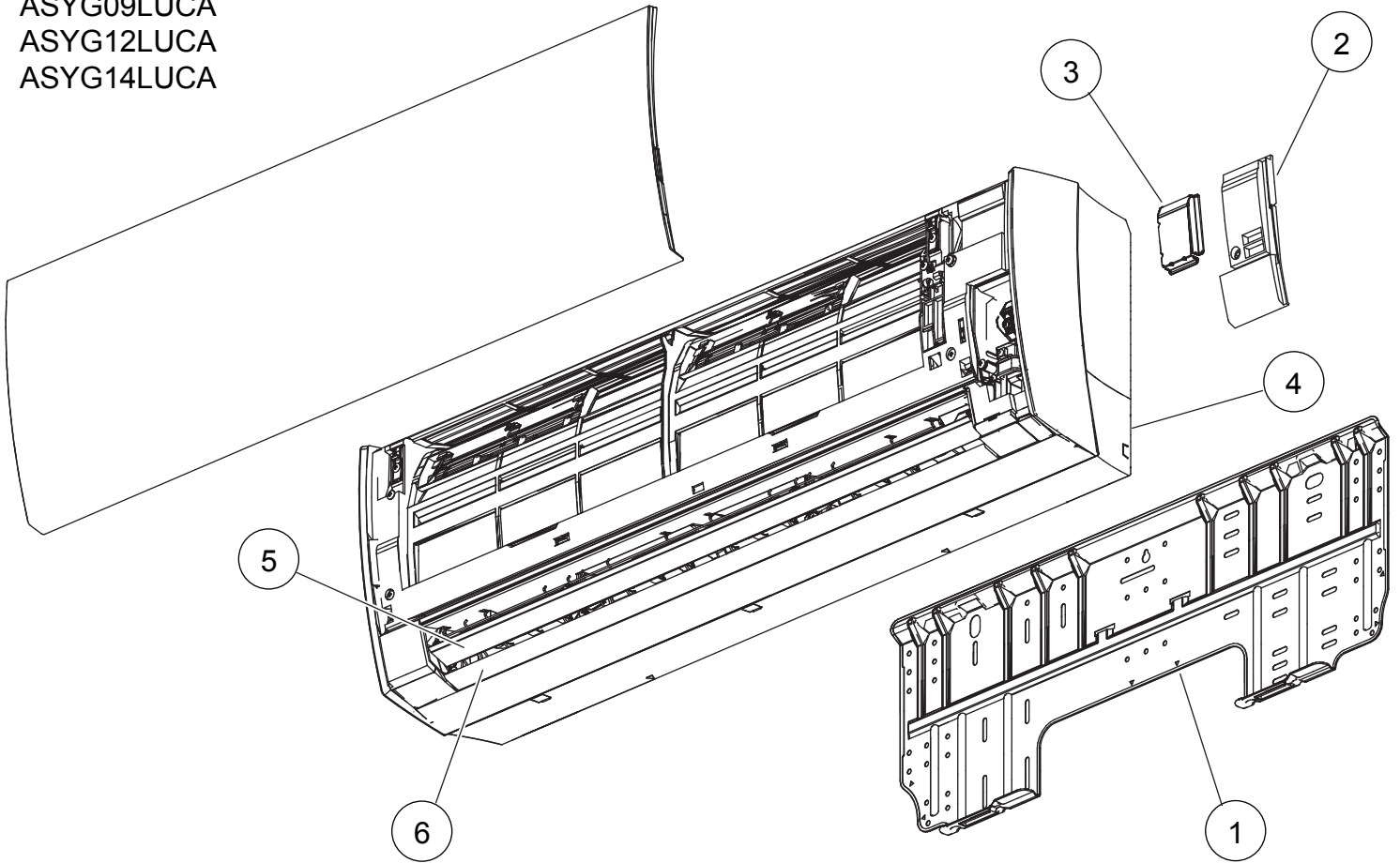
Ref	Description	Parts number	Ref	Description	Parts number
31	Casing Assy	9318264050	41	Gear A	9309994003
32	Casing	9317647014	42	Motor Step	9900384128
33	Motor Cover	9316568006	43	Drain Hose Assy	9316904002
34	Motor Cover	9316601000	44	Drain Cap	9316177017
35	Cable Guide	9316567009	45	Fan Guard	9332277005
36	Casing Cover B	9317653015	46	Fan Motor	9602704002
37	Casing Cover F	9317654005	47	Crossflow Fan Assy	9316830004
38	R AND L Louver B	9316961012	48	Bearing C Assy	9306628017
39	Louver Gear Holder	9317669016	49	Louver U	9317656016
40	Louver Gear	9317648004	50	Louver Z	9317657006

INDOOR UNIT
 COMPACT WALL MOUNTED
 ASYG07LJCA
 ASYG09LJCA
 ASYG12LJCA



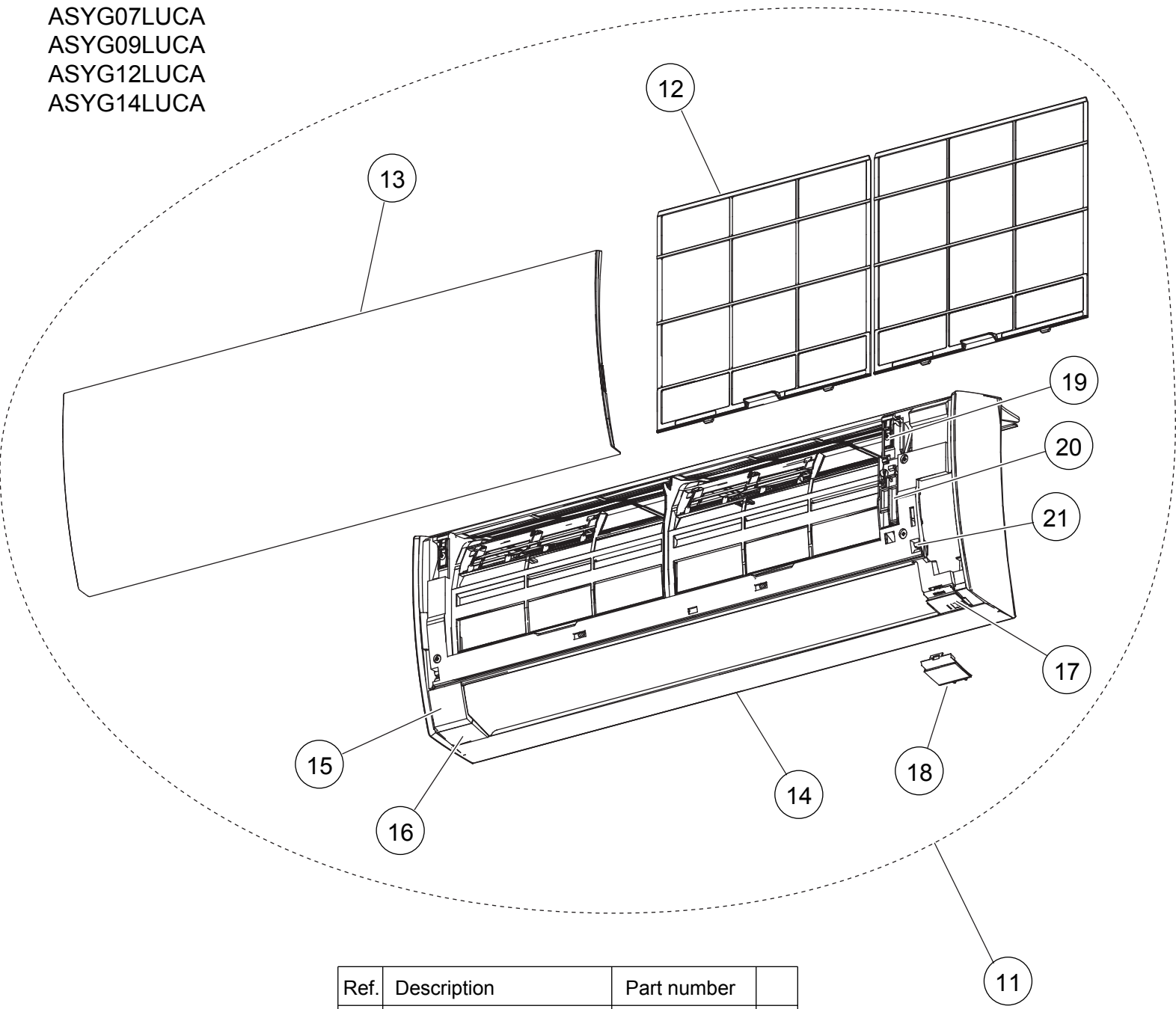
Ref	Description	Parts number
51	Control Box	9318187007
52	Box Shield	9317575010
53	Control Cover	9317659017
54	Cover Shield	9317923002
55	Controller PCB Assy (07)	9708536224
55	Controller PCB Assy (09)	9708536231
55	Controller PCB Assy (12)	9708536248
56	Display Case	9317662000
57	Display PCB Assy	9707649024
58	Terminal	9900638009
59	Earth Terminal	9316586000

INDOOR UNIT
 COMPACT WALL MOUNTED
 ASYG07LUCA
 ASYG09LUCA
 ASYG12LUCA
 ASYG14LUCA



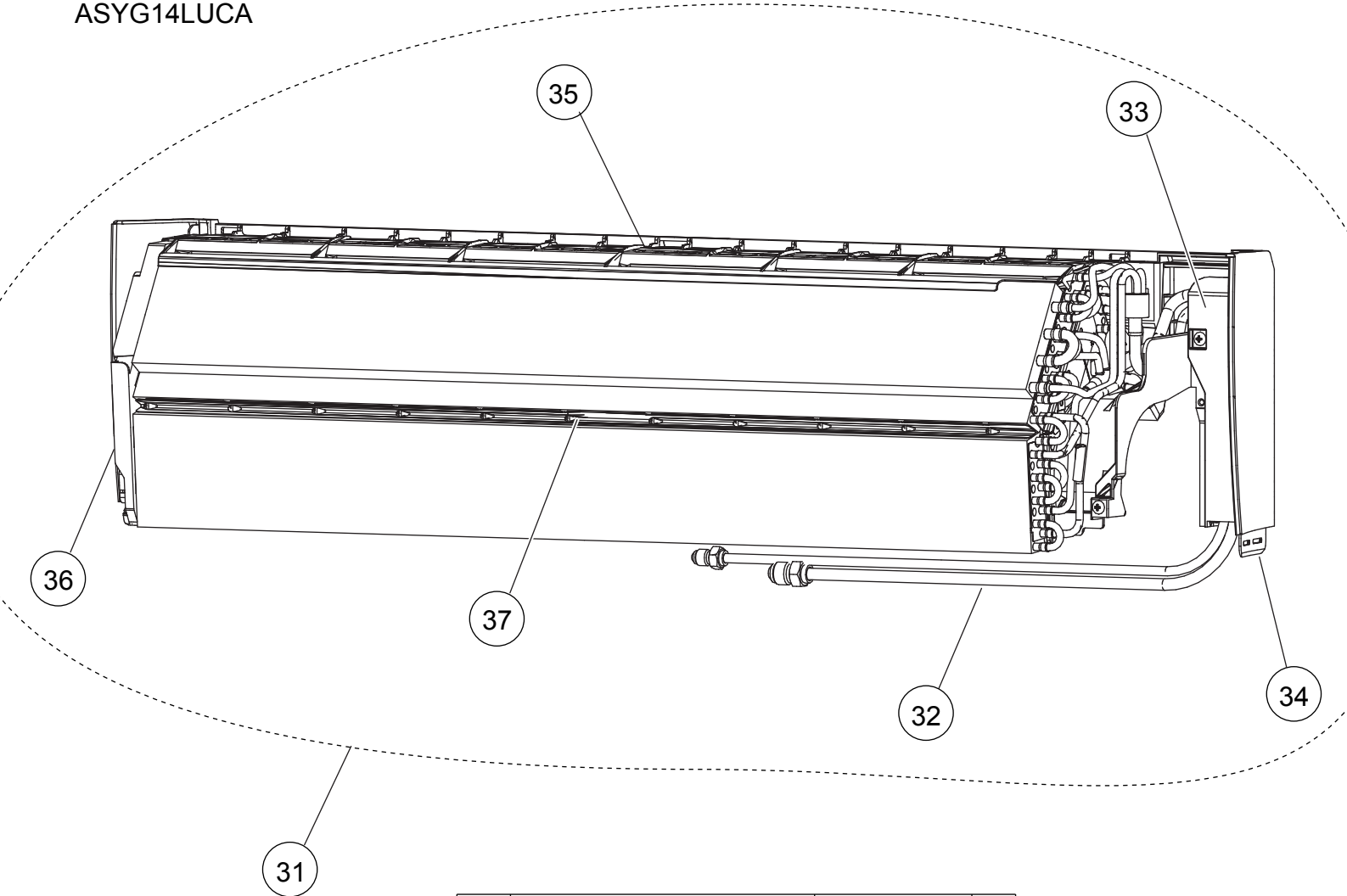
Ref.	Description	Part number
1	Bracket Panel	9318913002
2	Wire Cover	9318911008
3	Wire Shield	9318919004
4	Under Cover	9318879001
5	Louver U	9318880007
6	Louver Z	9318881004
7	Remote Control	9319207018
8	Remote Control Holder	9318912005
--	Air Clean Filter Assy	9317250009

INDOOR UNIT
 COMPACT WALL MOUNTED
 ASYG07LUCA
 ASYG09LUCA
 ASYG12LUCA
 ASYG14LUCA

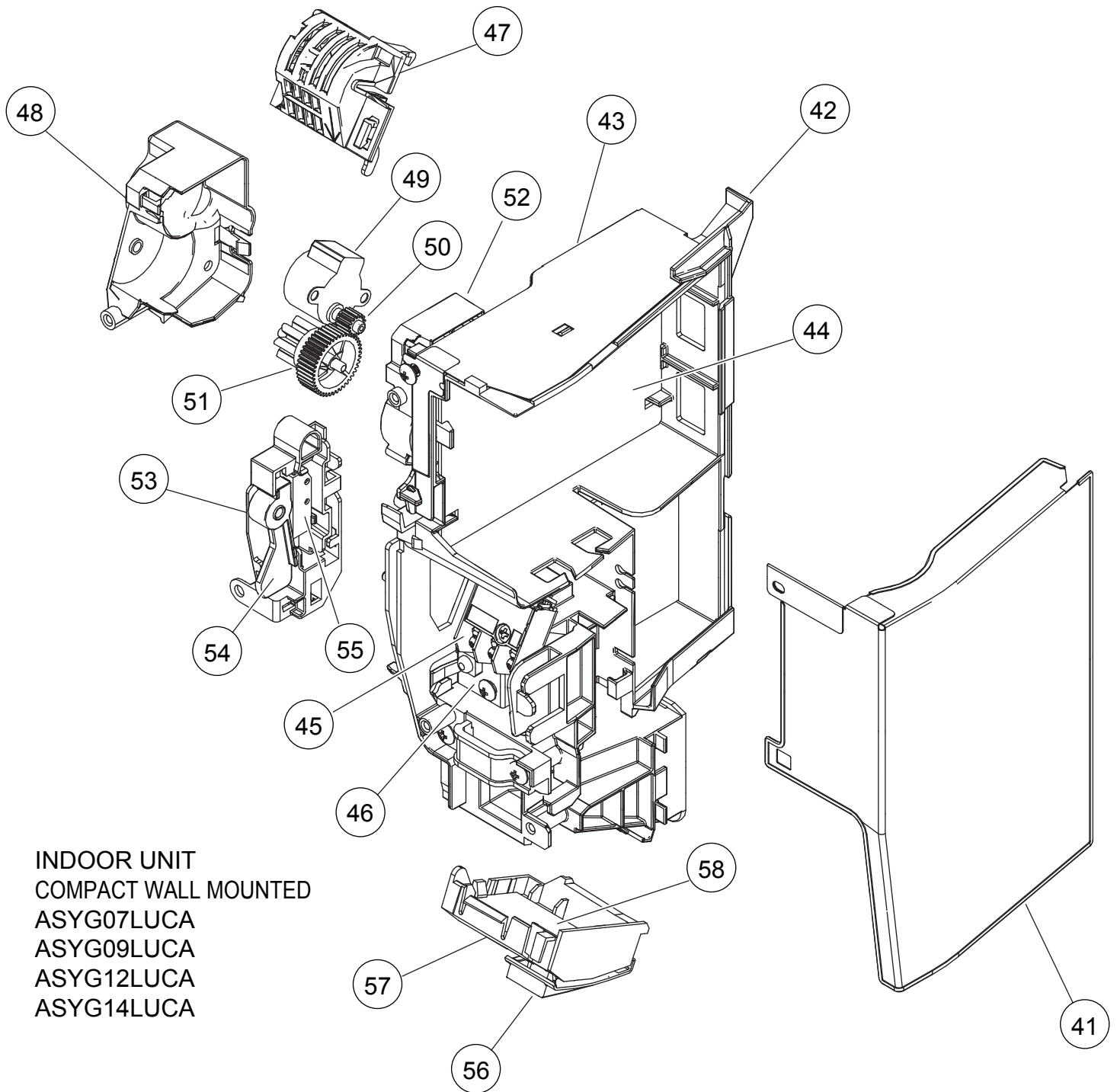


Ref.	Description	Part number
11	Front Panel Total Assy	9319348001
12	Air Filter	9318883008
13	Intake Grille Assy	9319351001
14	Front Panel	9318876000
15	Front Panel Cover U	9318910001
16	Display Plate Holder L	9318894004
17	Display Plate Holder R	9318895001
18	Display Plate R	9318893007
19	Arm Cover	9318900002
20	Grille Stay	9318899009
21	Grille Clamper B	9316951006

INDOOR UNIT
 COMPACT WALL MOUNTED
 ASYG07LUCA
 ASYG09LUCA
 ASYG12LUCA
 ASYG14LUCA



Ref.	Description	Part number
31	Evaporator Total Assy (07, 09, 12)	9319327006
31	Evaporator Total Assy (14)	9319327013
32	Joint Pipe Assy (07, 09,12)	9319322001
32	Joint Pipe Assy (14)	9319322018
33	Joint Pipe Holder	9318901009
34	Base	9318874006
35	Filter Guide	9318887006
36	Evaporator Holder L	9318875003
37	Air Seal	9319295008

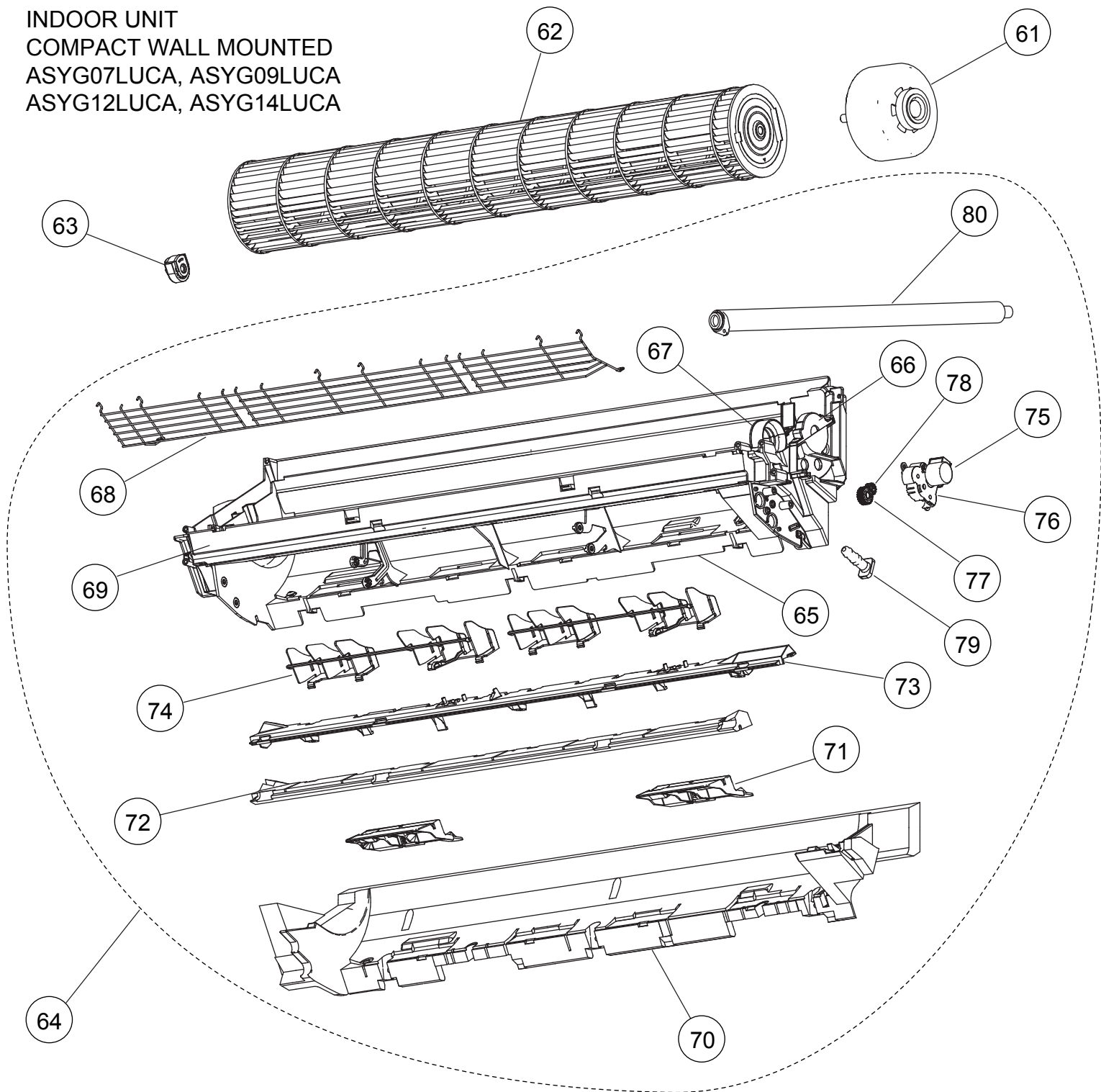


INDOOR UNIT
 COMPACT WALL MOUNTED
 ASYG07LUCA
 ASYG09LUCA
 ASYG12LUCA
 ASYG14LUCA

Ref.	Description	Part number
41	Cover Shield A	9318916003
42	Control Box	9318882001
43	Box Shield Assy	9319344003
44	Controller PCB Assy (07)	9708713014
44	Controller PCB Assy (09)	9708713021
44	Controller PCB Assy (12)	9708713038
44	Controller PCB Assy (14)	9708713045
45	Terminal	9900638009
46	Earth Terminal	9318918007
47	Room Thermistor Holder	9319068008
48	Gear Cover	9318902006

Ref.	Description	Part number
49	Step Motor	9900384166
50	Gear B	9319294001
51	Panel Gear	9319293004
52	Gear Case	9318903003
53	Switch Case	9319332000
54	Grille Key Top	9319334004
55	Micro Switch	9900625009
56	Receiver Window	9318891003
57	Display Case	9318906004
58	Display PCB Assy	9708824017
--	Thermistor Assy	9900627003

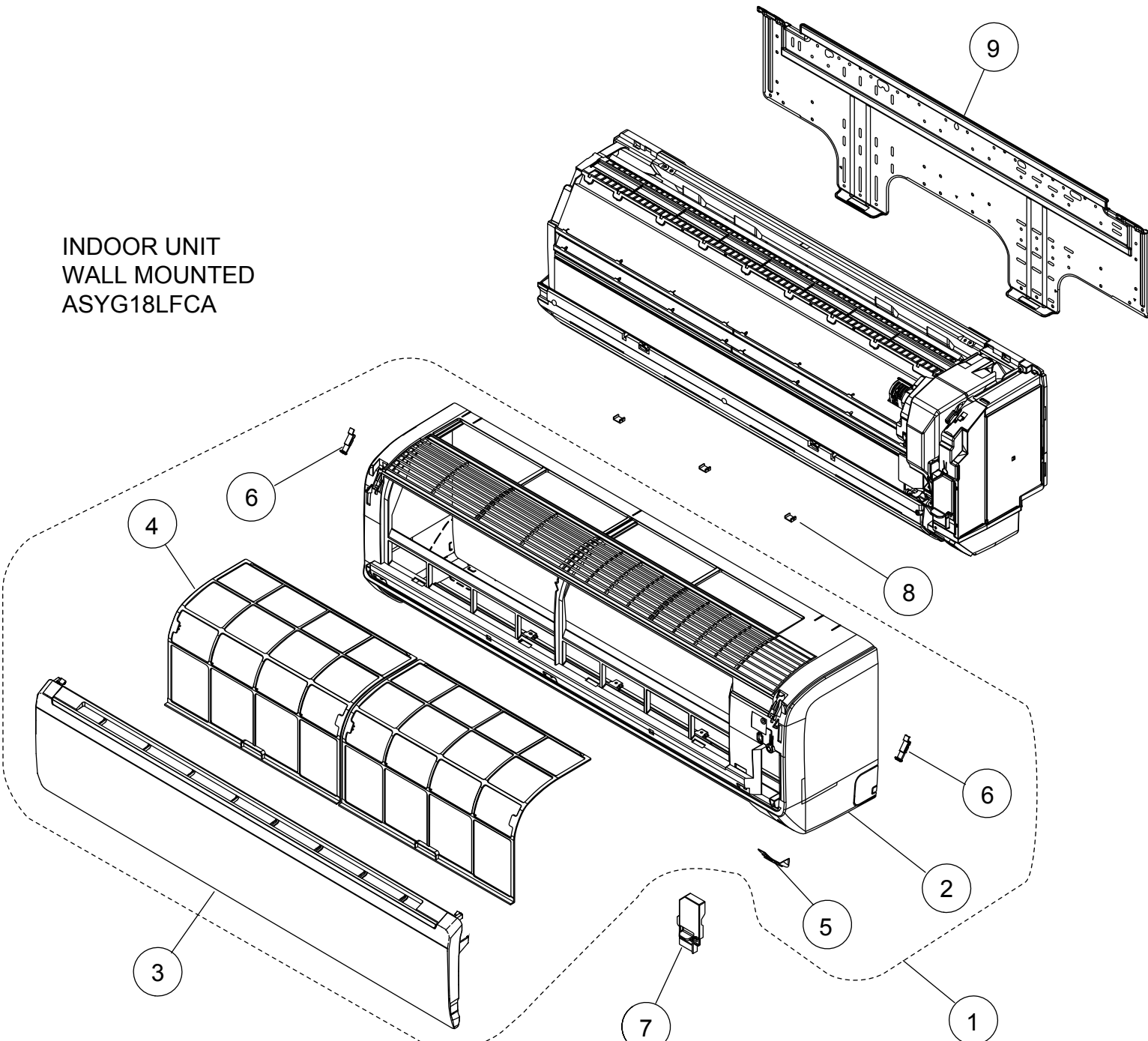
INDOOR UNIT
 COMPACT WALL MOUNTED
 ASYG07LUCA, ASYG09LUCA
 ASYG12LUCA, ASYG14LUCA



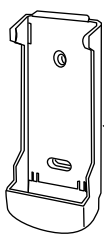
Ref.	Description	Part number
61	Fan Motor	9602947003
62	Crossflow Fan Assy	9319361000
63	Bearing C Assy	9306628017
64	Casing Assy	9319342009
65	Casing	9318873009
66	Motor Cover	9316601000
67	Motor Cover	9318888003
68	Fan Guard	9318924008
69	Casing Cover F	9318923001
70	Casing Cover B	9318920000

Ref.	Description	Part number
71	Pipe Bracket	9318889000
72	Panel Cover	9319296005
73	Louver Holder	9318886009
74	R and L Louver	9318885002
75	Motor Step	9900384128
76	Louver Gear Holder	9318905007
77	Louver Gear	9318904000
78	Gear A	9309994003
79	Drain Cap	9316177017
80	Drain Hose Assy	9316904002

INDOOR UNIT
WALL MOUNTED
ASYG18LFCA



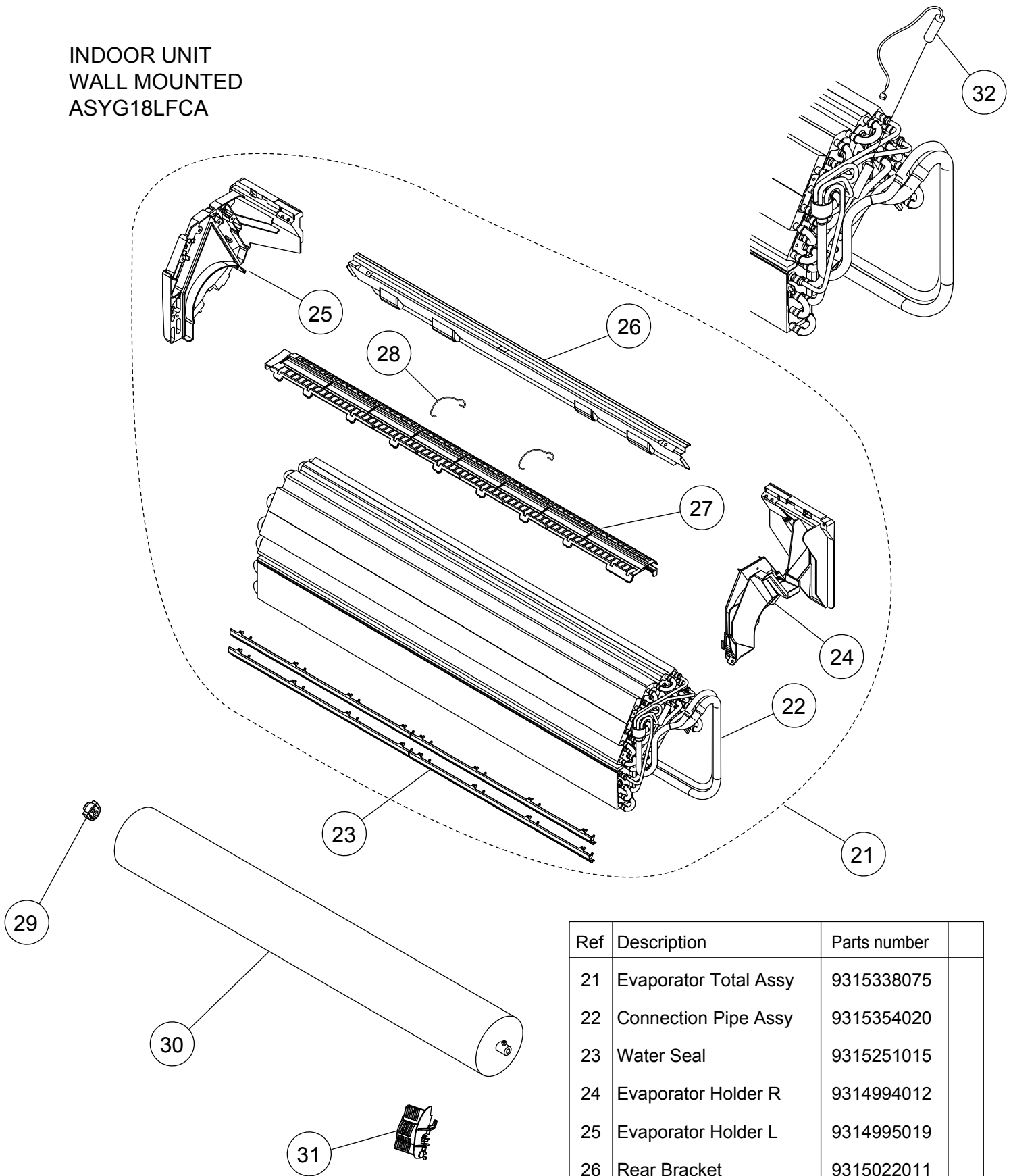
10



11

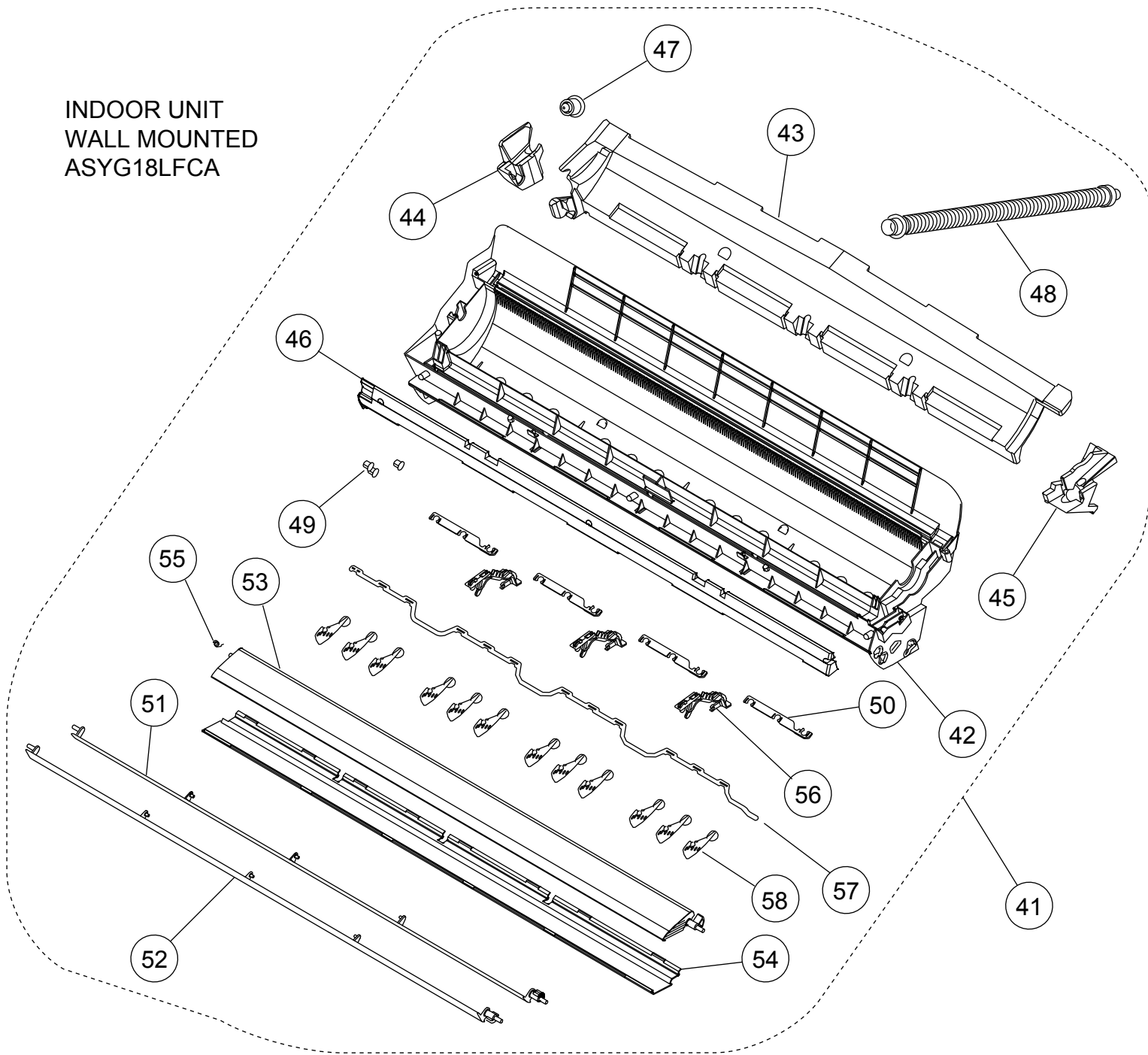
Ref	Description	Parts number
1	Front Panel Total Assy	9318738001
2	Front Panel	9314991080
3	Intake Grille Assy	9385985049
4	Air Filter	9315014016
5	Receiver Window	9315010018
6	Clamber Grille	9306755010
7	Wire Clamber	9315015013
8	Cap (Screw)	9309002050
9	Bracket Panel	9315023018
10	Remote Control	9379219037
11	Remote Control Holder	9305642045
--	Air Clean Filter Assy	9315212016

INDOOR UNIT
WALL MOUNTED
ASYG18LFCA



Ref	Description	Parts number
21	Evaporator Total Assy	9315338075
22	Connection Pipe Assy	9315354020
23	Water Seal	9315251015
24	Evaporator Holder R	9314994012
25	Evaporator Holder L	9314995019
26	Rear Bracket	9315022011
27	Filter Guide	9315013019
28	Filter Guard	9315411013
29	Bearing C Assy	9306628017
30	Crossflow Fan Assy	9315024015
31	Holder (Room Thermistor)	9315252012
32	Pipe Thermistor	9900551018

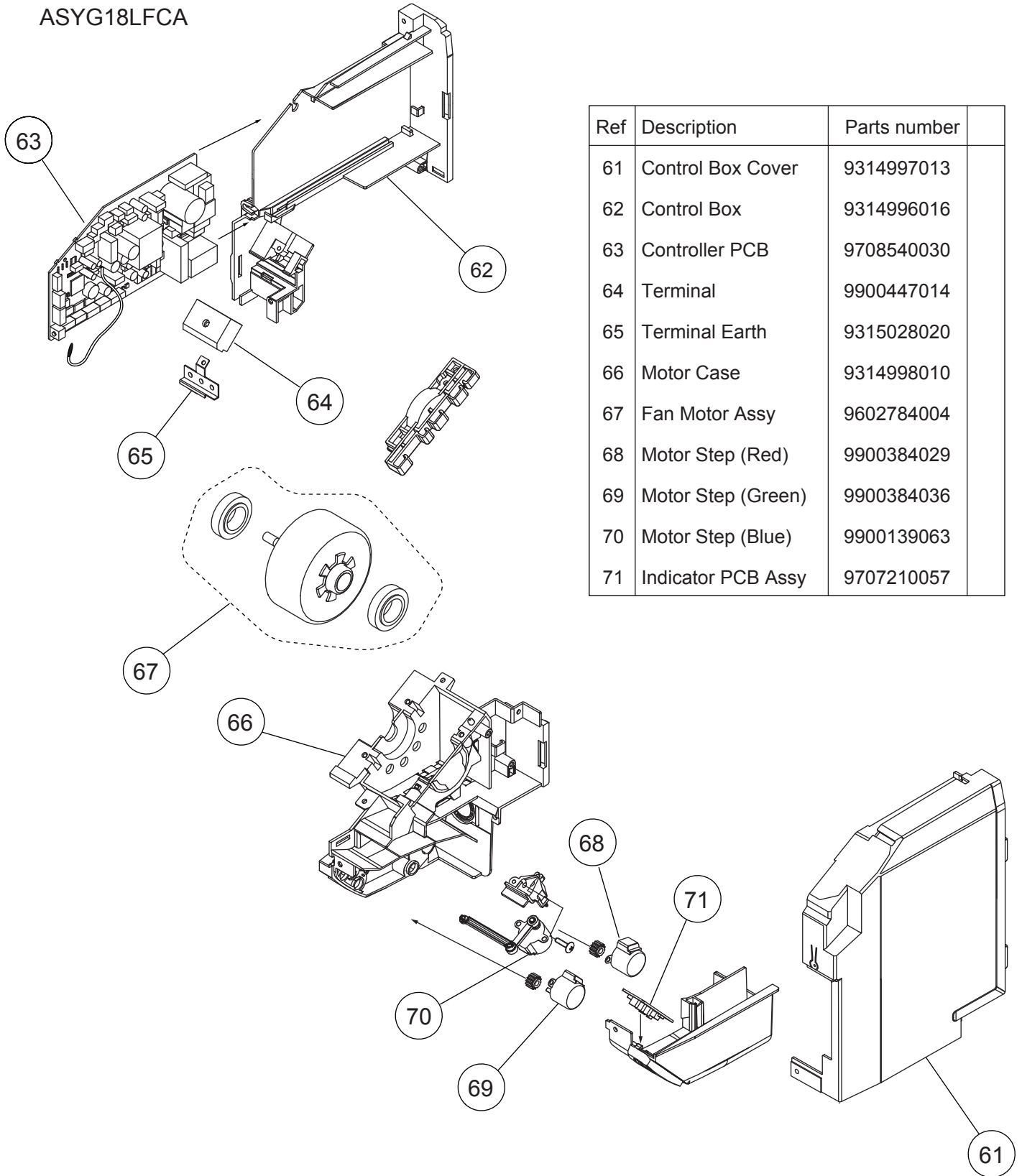
INDOOR UNIT
WALL MOUNTED
ASYG18LFCA



Ref	Description	Parts number
41	Casing Assy	9315331038
42	Casing	9314993015
43	Casing Cover B	9315016010
44	Casing Cover L	9315017017
45	Casing Cover R	9315018014
46	Casing Cover F	9315019011
47	Drain Cap	9367677009
48	Drain Hose Assy	9315769015
49	Bush B	9312156016
50	Spacer B	9312441013
51	Louver U	9315000019

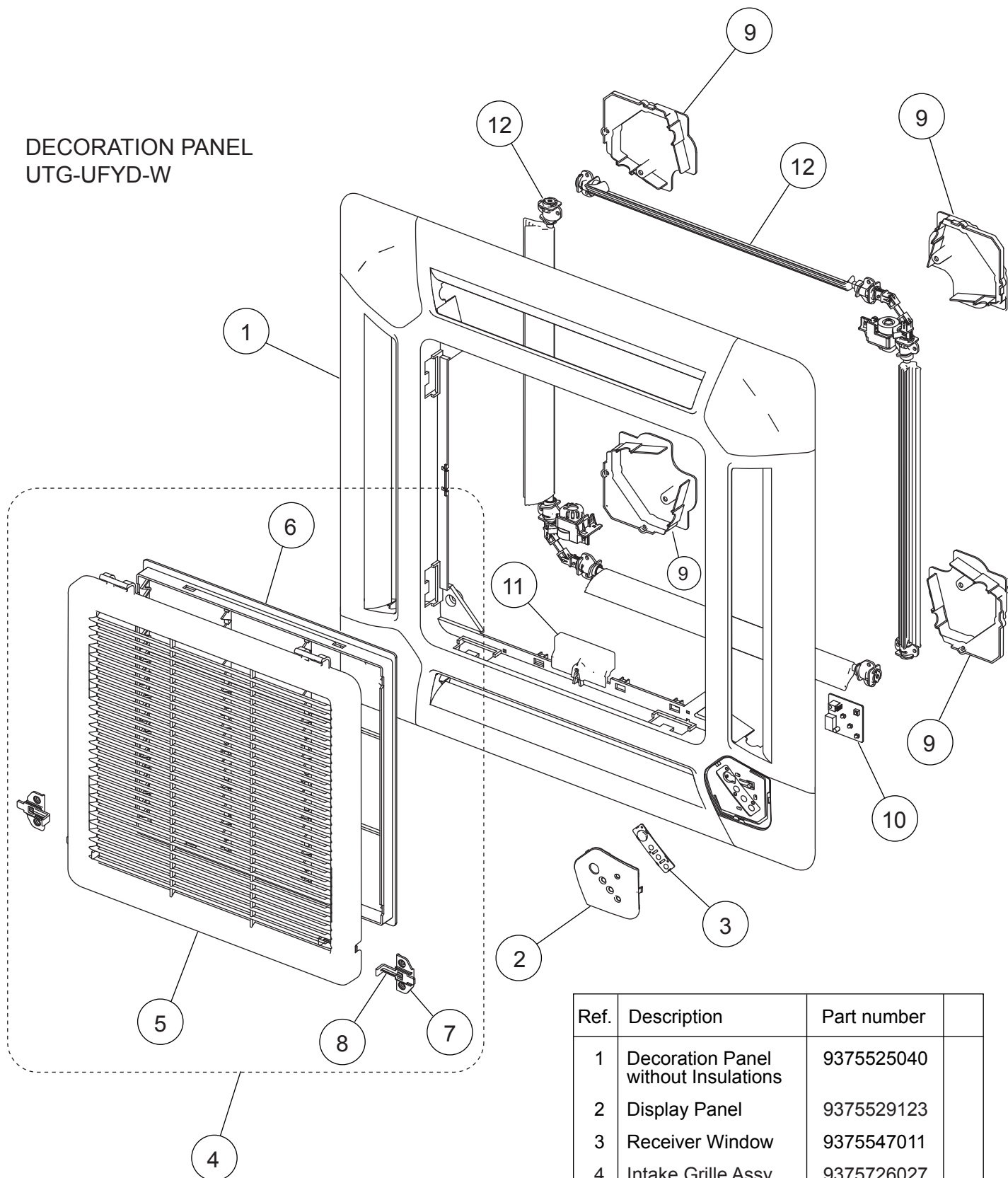
Ref	Description	Parts number
52	Louver Z	9315001016
53	Diffuser U	9315002013
54	Diffuser Z	9315003010
55	Spring C	9314142017
56	Pillar A	9315009012
57	Joint B	9315006011
58	R and L Louver	9311997016
-	Fan Guard	9305751051
-	Fan Guard Holder Right	9315814012
-	Fan Guard Holder Left	9315815019

INDOOR UNIT
WALL MOUNTED
ASYG18LFCA



Ref	Description	Parts number
61	Control Box Cover	9314997013
62	Control Box	9314996016
63	Controller PCB	9708540030
64	Terminal	9900447014
65	Terminal Earth	9315028020
66	Motor Case	9314998010
67	Fan Motor Assy	9602784004
68	Motor Step (Red)	9900384029
69	Motor Step (Green)	9900384036
70	Motor Step (Blue)	9900139063
71	Indicator PCB Assy	9707210057

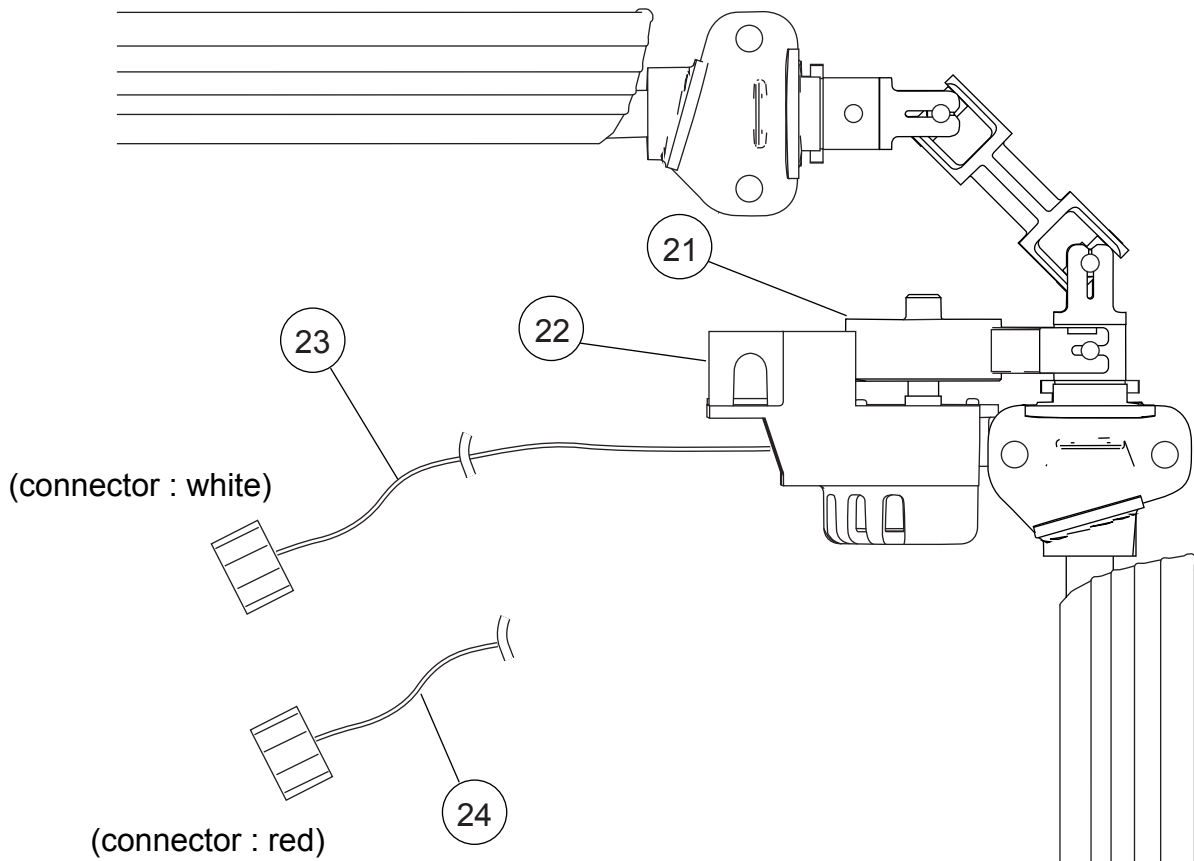
DECORATION PANEL
UTG-UFYD-W



Ref.	Description	Part number
1	Decoration Panel without Insulations	9375525040
2	Display Panel	9375529123
3	Receiver Window	9375547011
4	Intake Grille Assy	9375726027
5	Intake Grille	9375531027
6	Long Life Filter	9375533014
7	Hook Bracket	9375546014
8	Grille Hook	9375532024
9	Panel Cover without Insulations	9375530013
10	Indicator PCB Assy	9707371031
11	Connector Cover	9375549015
12	Flap Total Assy	9377760029

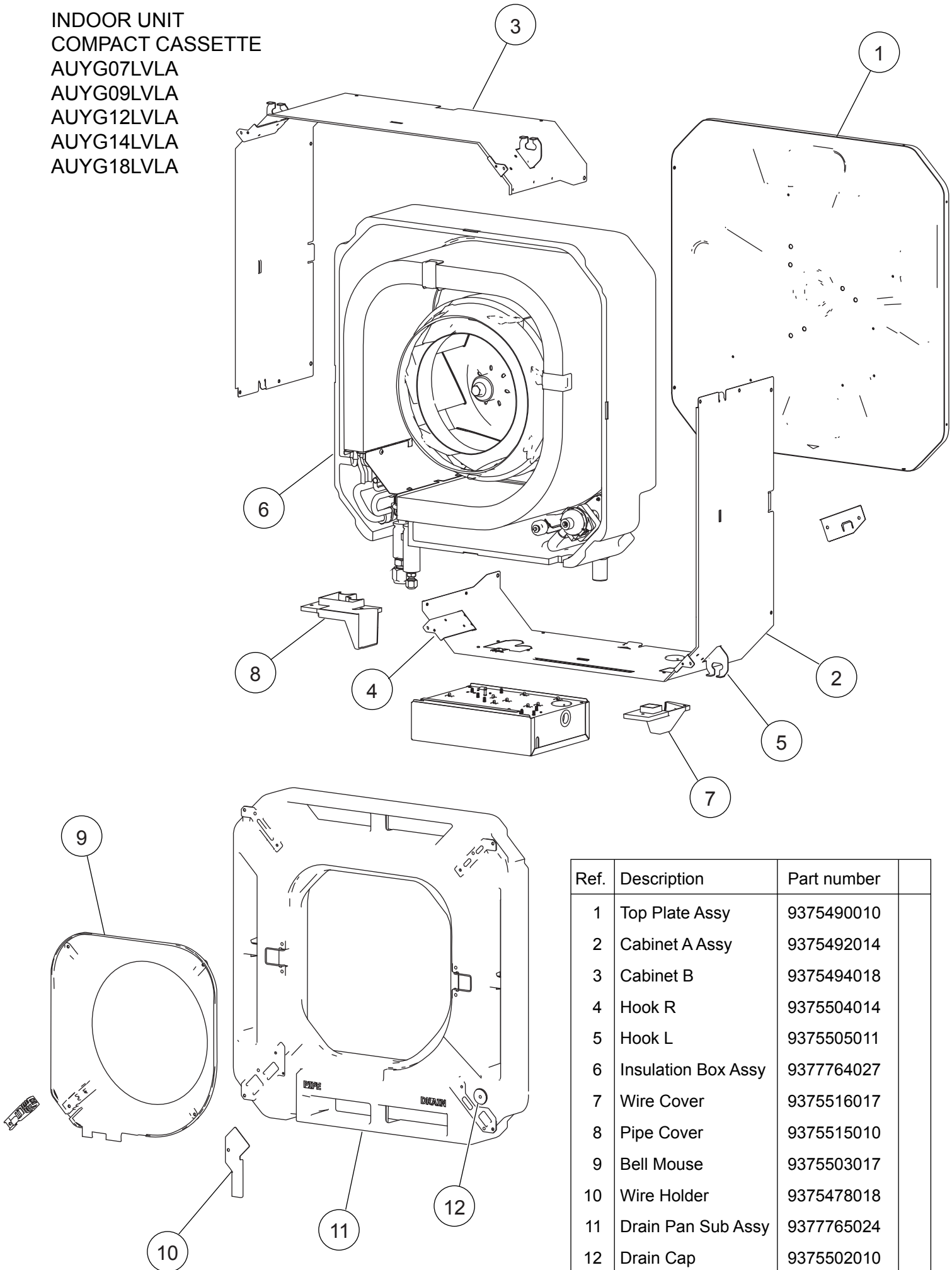
DECORATION PANEL
UTG-UFYD-W

Flap total assy
Motor holder assy

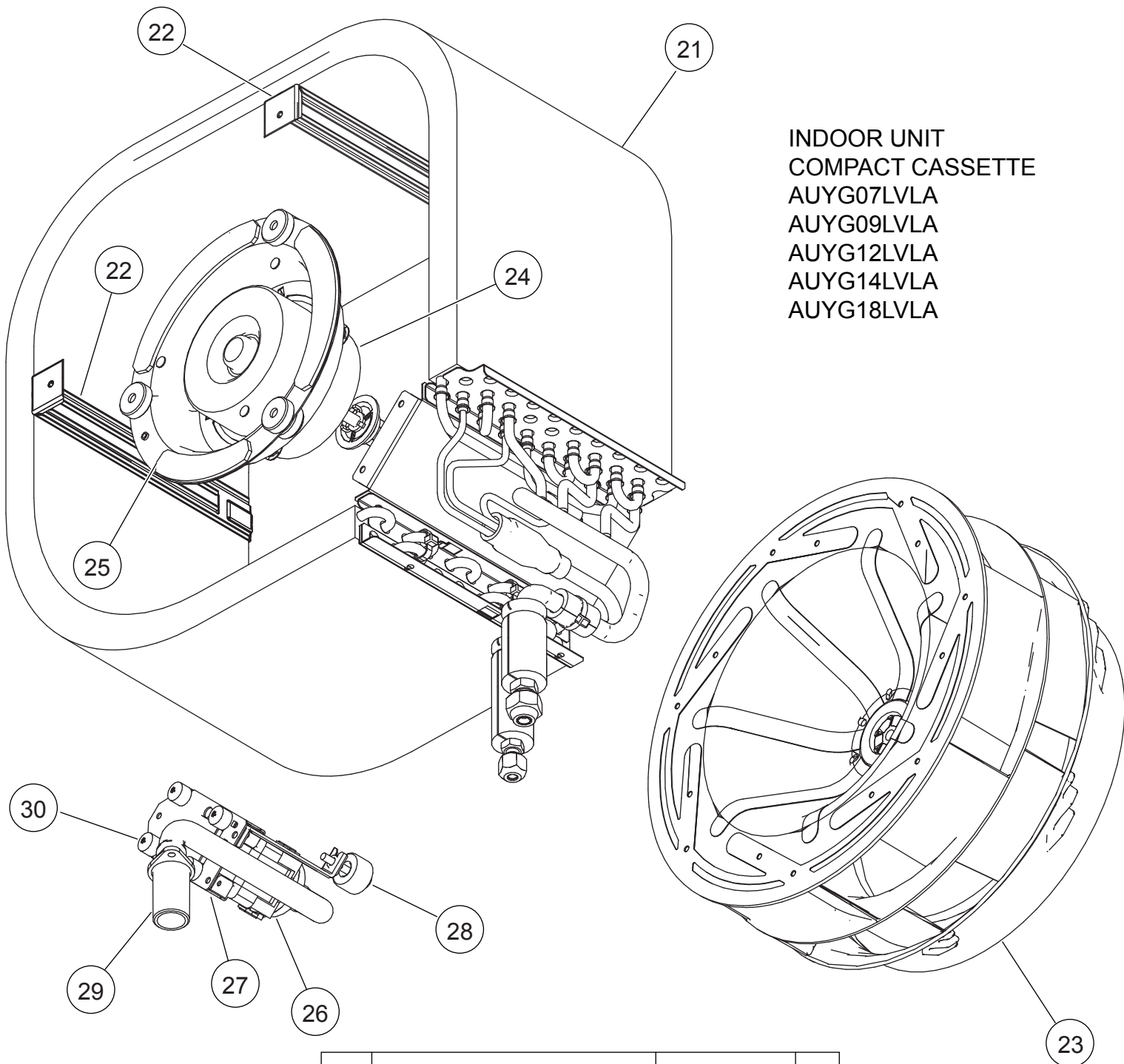


Ref.	Description	Part number	
21	Gear A	9375536015	
22	Motor Holder	9375535018	
23	Step Motor (white connector)	9900139070	
24	Step Motor (red connector)	9900139087	

INDOOR UNIT
 COMPACT CASSETTE
 AUYG07LVLA
 AUYG09LVLA
 AUYG12LVLA
 AUYG14LVLA
 AUYG18LVLA



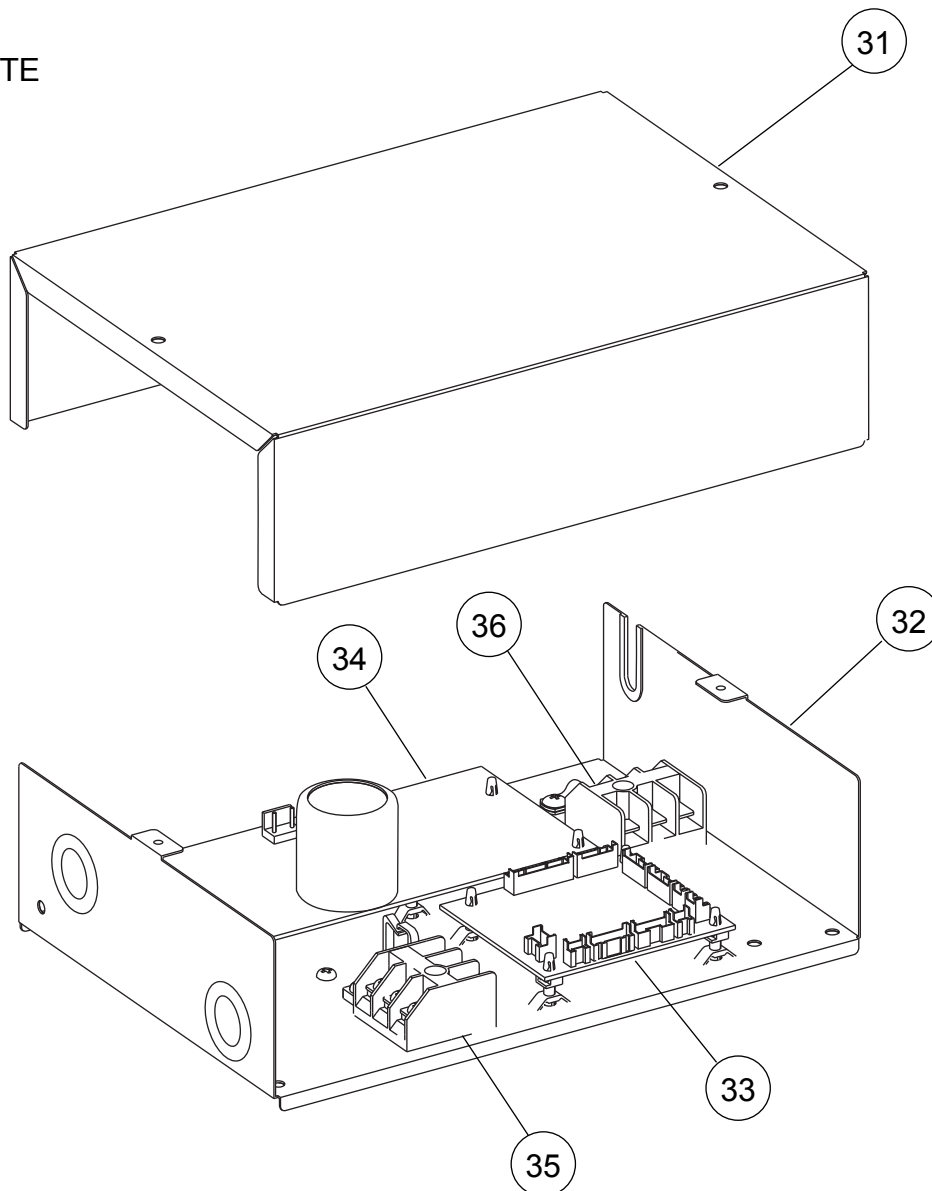
Ref.	Description	Part number
1	Top Plate Assy	9375490010
2	Cabinet A Assy	9375492014
3	Cabinet B	9375494018
4	Hook R	9375504014
5	Hook L	9375505011
6	Insulation Box Assy	9377764027
7	Wire Cover	9375516017
8	Pipe Cover	9375515010
9	Bell Mouse	9375503017
10	Wire Holder	9375478018
11	Drain Pan Sub Assy	9377765024
12	Drain Cap	9375502010



INDOOR UNIT
 COMPACT CASSETTE
 AUYG07LVLA
 AUYG09LVLA
 AUYG12LVLA
 AUYG14LVLA
 AUYG18LVLA

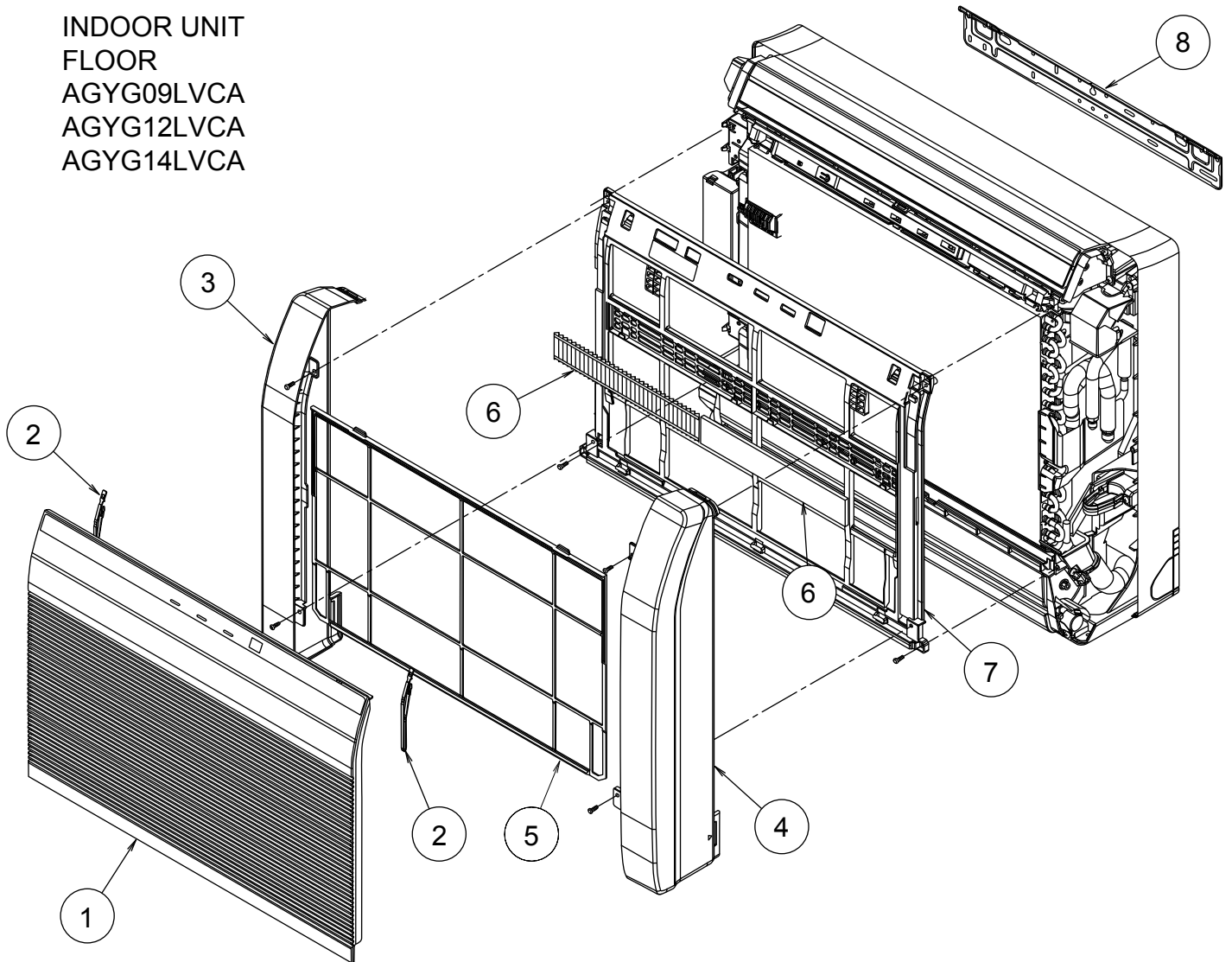
Ref.	Description	Part number
21	Evaporator Total Assy (07)	9375720087
21	Evaporator Total Assy (09, 12)	9375720032
21	Evaporator Total Assy (14, 18)	9375720070
22	Evaporator Holder	9375508012
23	2 Stage Turbo Fan Assy	9375480011
24	Fan Motor	9602436019
25	Fan Motor Holder	9375552015
26	Pump Assy	9900472030
27	Drain Pump Holder B	9375518011
28	Float Switch	9900361037
29	Drain Port Sub Assy	9375718015
30	Rubber (Pump)	9378426016

INDOOR UNIT
 COMPACT CASSETTE
 AUYG07LVLA
 AUYG09LVLA
 AUYG12LVLA
 AUYG14LVLA
 AUYG18LVLA
 Control unit



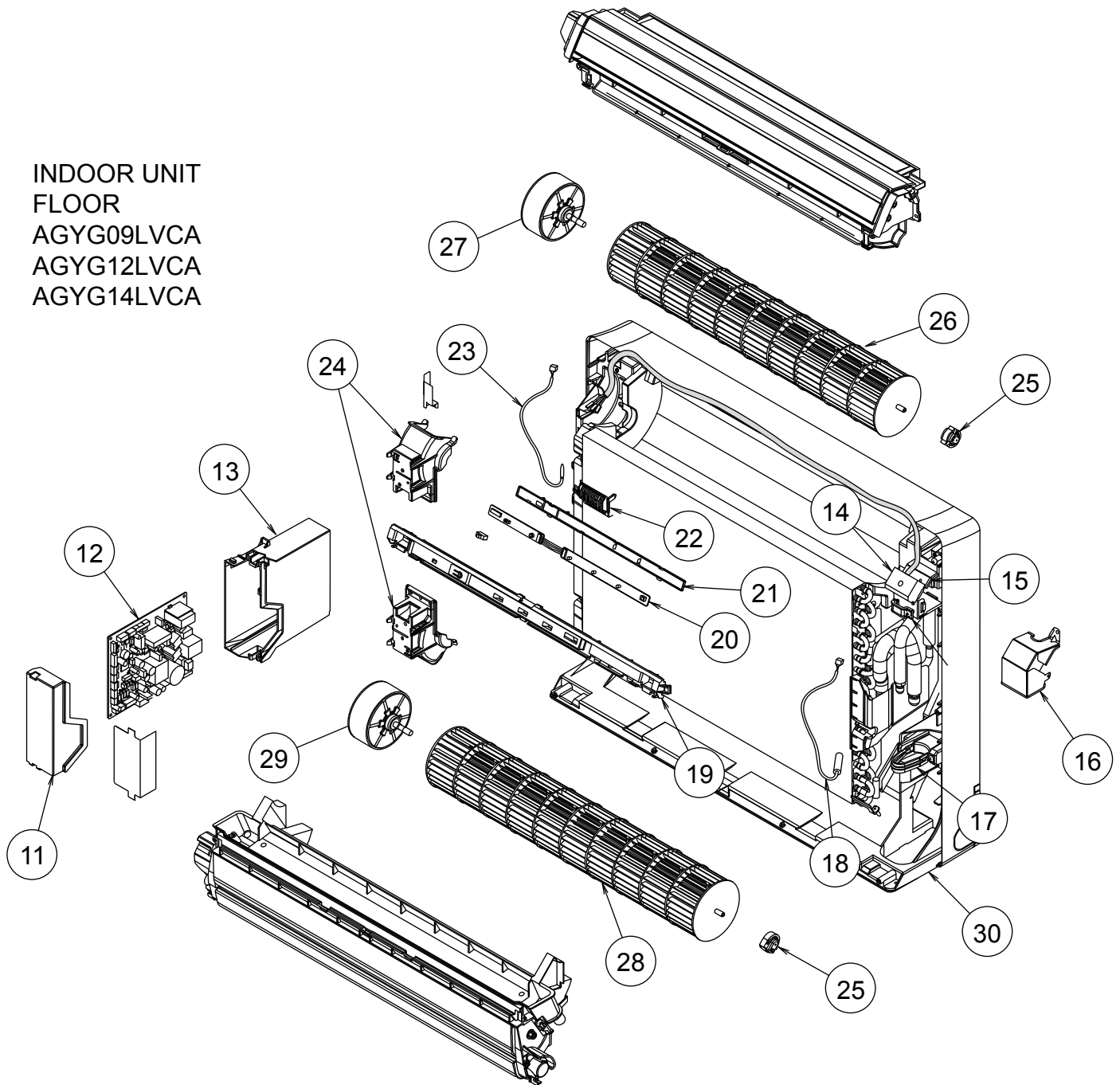
Ref.	Description	Part number	
31	Control Box Cover	9375512019	
32	Control Box A	9375511012	
33	Controller PCB Assy (07)	9707393736	
33	Controller PCB Assy (09)	9707393743	
33	Controller PCB Assy (12)	9707393750	
33	Controller PCB Assy (14)	9707393767	
33	Controller PCB Assy (18)	9707393774	
34	Power Supply PCB Assy	9707398250	
35	Terminal	9306489045	
36	Terminal	9703345012	
--	Pipe Thermistor	9703297014	
--	Room Thermistor	9900502003	
--	Remote Control	9379219006	
--	Remote Control Holder	9305642045	

INDOOR UNIT
 FLOOR
 AGYG09LVCA
 AGYG12LVCA
 AGYG14LVCA



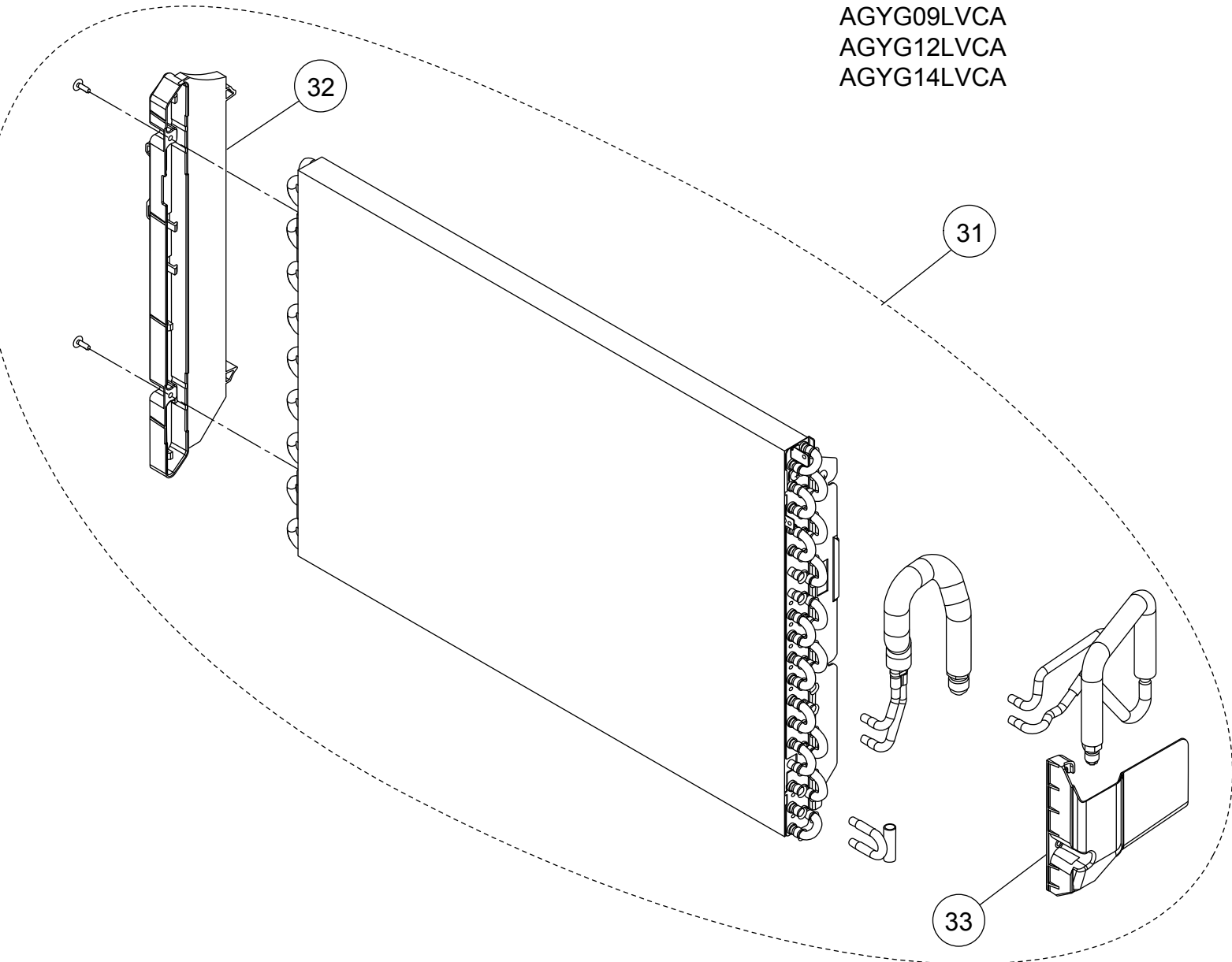
Ref	Description	Parts number
1	Intake Grille Assy	9316418059
2	Rope Assy	9316458017
3	Panel (Front) L	9316187016
4	Panel (Front) R	9316186019
5	Air Filter	9316189010
6	Air Clean Filter Assy	9316474017
7	Panel (Front)	9316185012
8	Bracket Panel	9316272019
--	Remote	9379219006
--	Remote Holder	9305642045

INDOOR UNIT
FLOOR
AGYG09LVCA
AGYG12LVCA
AGYG14LVCA



Ref	Description	Parts number	Ref	Description	Parts number
11	Control Cover	9316201019	20	Display PCB Assy	9707571042
12	Controller PCB Assy (09)	9708532011	21	Display Cover	9316191013
12	Controller PCB Assy (12)	9708532028	22	Thermistor Holder	9316192010
12	Controller PCB Assy (14)	9708532035	23	Room Thermistor	9700801108
13	Control Box	9316200012	24	Motor Holder	9316195011
14	Terminal	9900385026	25	Bearing C Assy	9306628017
15	Bracket (Terminal)	9316269019	26	Crossflow Fan Assy	9312004034
16	Cover (Terminal)	9316307018	27	Fan Motor, MFD-34TXN	9602850006
17	Bracket (Pipe)	9316270015	28	Crossflow Fan B Assy	9316309012
18	Pipe Thermistor	9900425012	29	Fan Motor, MFD-14SXN	9602851003
19	Display Case	9316194014	30	Base	9316193017

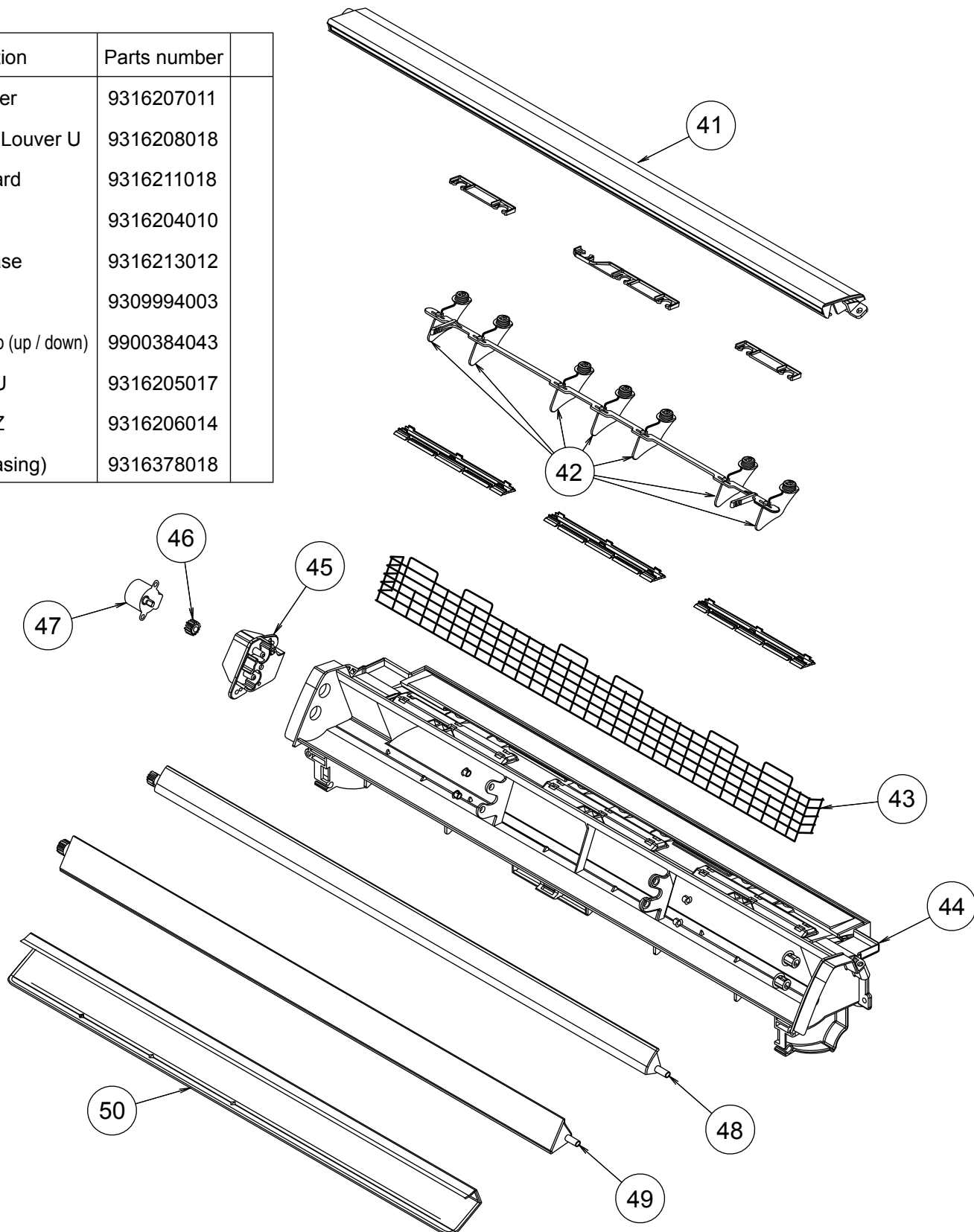
INDOOR UNIT
 FLOOR
 AGYG09LVCA
 AGYG12LVCA
 AGYG14LVCA

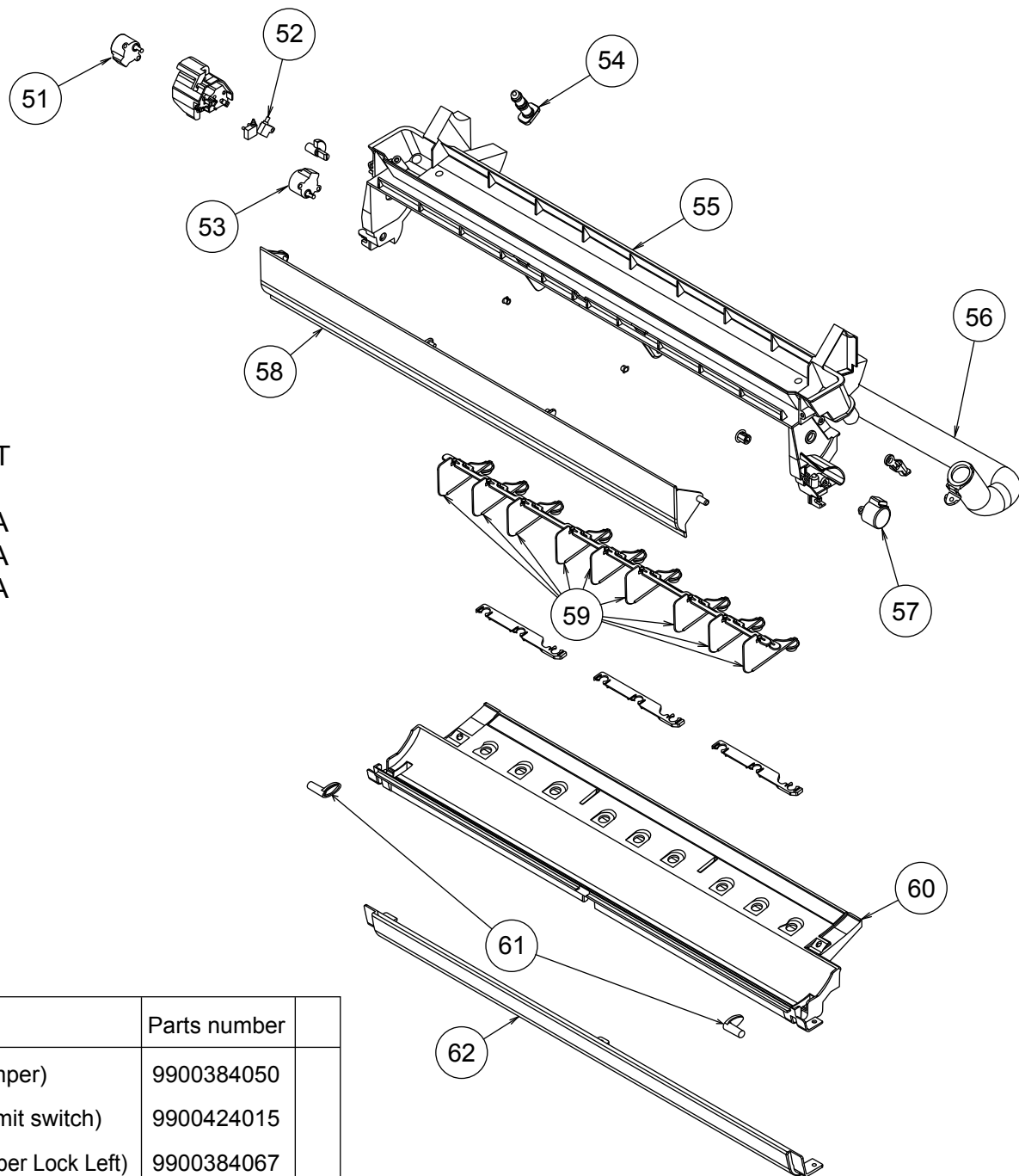


Ref	Description	Parts number
31	Evaporator Total Assy (09, 12)	9316091016
31	Evaporator Total Assy (14)	9316091023
32	Evaporator Holder	9316199019
33	Water Seal	9316271012

INDOOR UNIT
 FLOOR
 AGYG09LVCA
 AGYG12LVCA
 AGYG14LVCA
 Casing assy

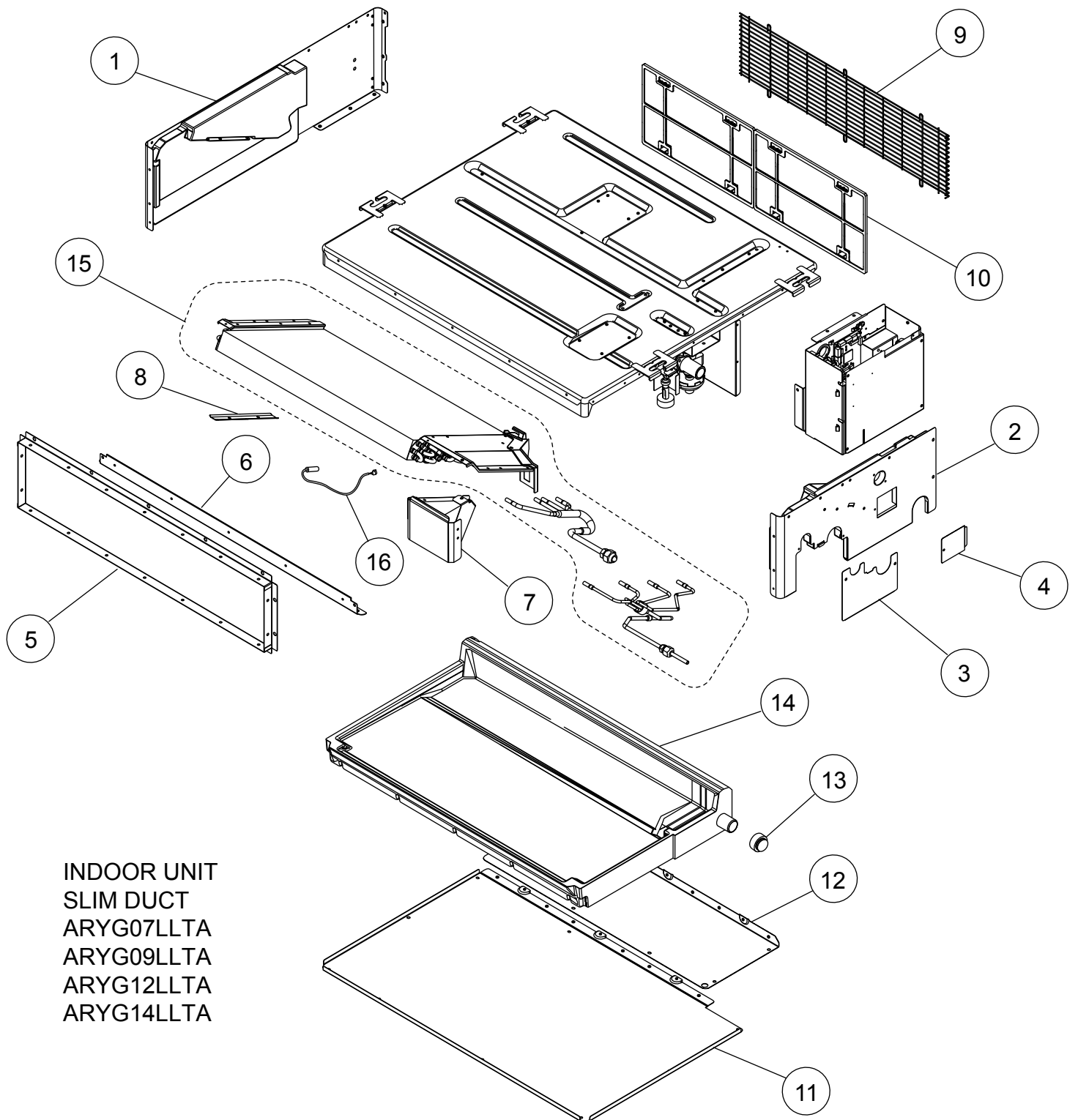
Ref	Description	Parts number
41	Top Cover	9316207011
42	R and L Louver U	9316208018
43	Fan Guard	9316211018
44	Casing	9316204010
45	Gear Case	9316213012
46	Gear A	9309994003
47	Motor Step (up / down)	9900384043
48	Louver U	9316205017
49	Louver Z	9316206014
50	REF (Casing)	9316378018





INDOOR UNIT
 FLOOR
 AGYG09LVCA
 AGYG12LVCA
 AGYG14LVCA
 Casing aast

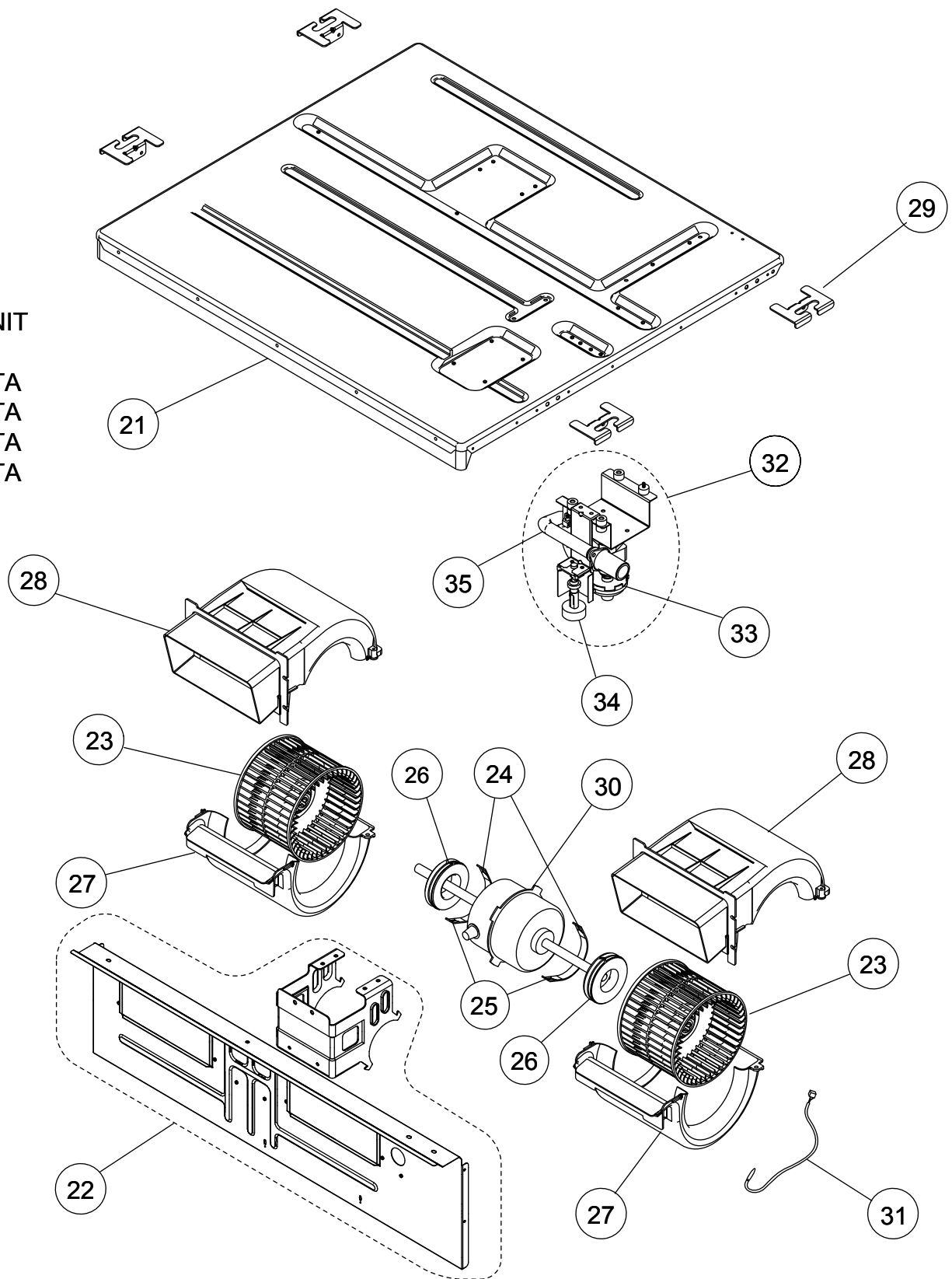
Ref	Description	Parts number
51	Motor Step (Damper)	9900384050
52	Switch Micro (Limit switch)	9900424015
53	Motor Step (Damper Lock Left)	9900384067
54	Drain Cap	9316177017
55	Drain Pan U	9316214019
56	Drain Hose Assy	9314147029
57	Motor Step (Damper Lock Right)	9900384074
58	Damper	9316216013
59	R and L Louver Z	9316334014
60	Drain Pan Z	9316215016
61	Stopper	9316219014
62	Cover (Lower)	9316374010
--	Fan Guard Z	9316918009



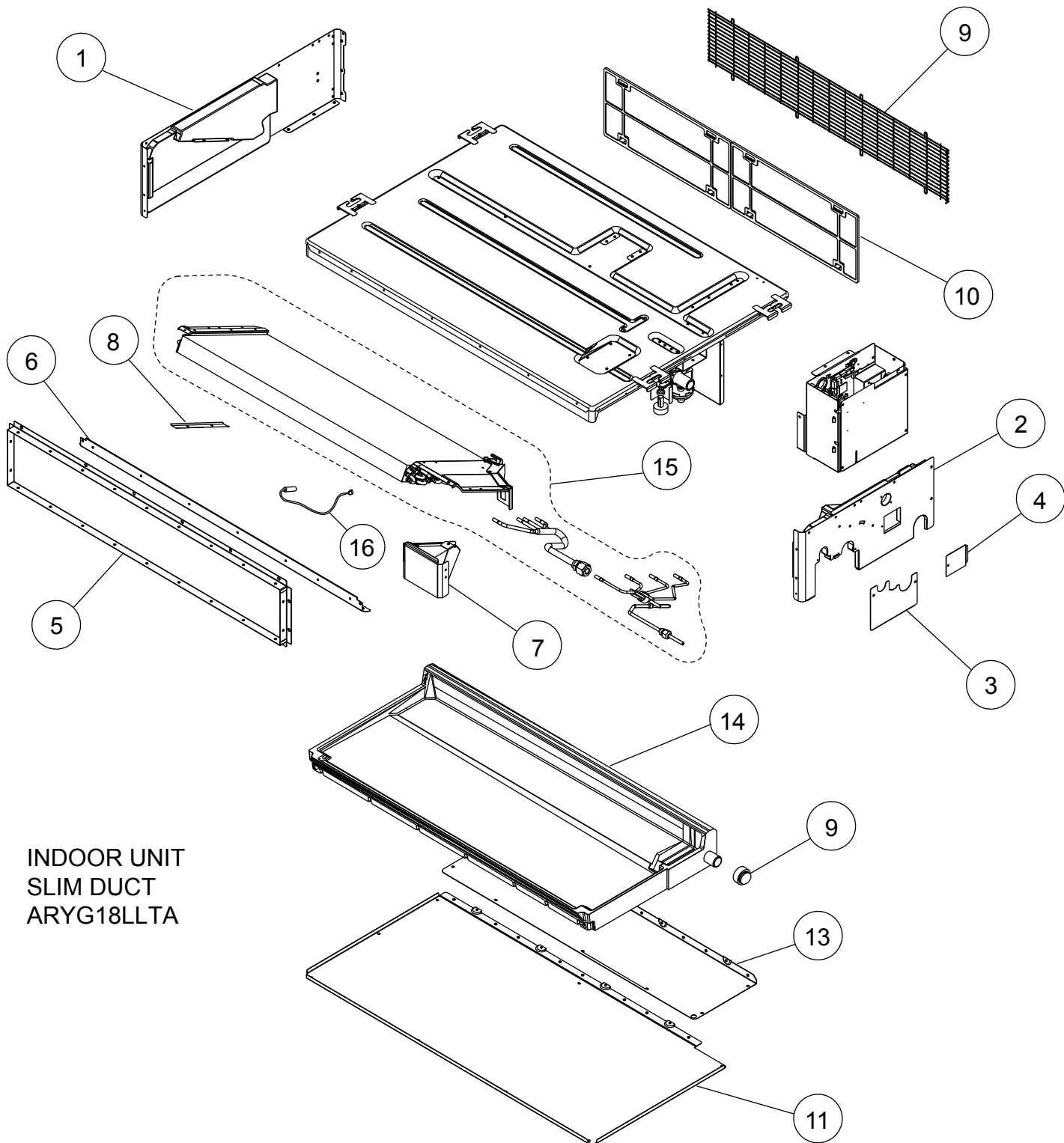
INDOOR UNIT
SLIM DUCT
ARYG07LLTA
ARYG09LLTA
ARYG12LLTA
ARYG14LLTA

Ref	Description	Parts number	Ref	Description	Parts number
1	Side Panel R Sub Assy	9379906005	11	Main Panel Sub Assy	9379902007
2	Side Panel L Sub Assy	9379907002	12	Cabinet Panel (2 Fan)	9379596008
3	Pipe Panel Sub Assy	9379900003	13	Drain Cap	9358746004
4	Panel (Window) Sub Assy	9379915007	14	Drain Pan Sub Assy	9379901000
5	Outlet Frame Sub Assy	9379909006	15	Evaporater Total Assy (07)	9364499666
6	Front Panel (2 Fan)	9379593007	15	Evaporater Total Assy (09, 12)	9364499581
7	Valve Cover Sub Assy	9379576000	15	Evaporater Total Assy (14)	9364499673
8	Cover Pipe Sub Assy	9380033004	16	Pipe Thermistor	9900623005
9	Fan Guard (2 Fan)	9379637008	--	Hose Sub Assy	9378450103
10	Air Filter	9379574006			

INDOOR UNIT
SLIM DUCT
ARYG07LLTA
ARYG09LLTA
ARYG12LLTA
ARYG14LLTA



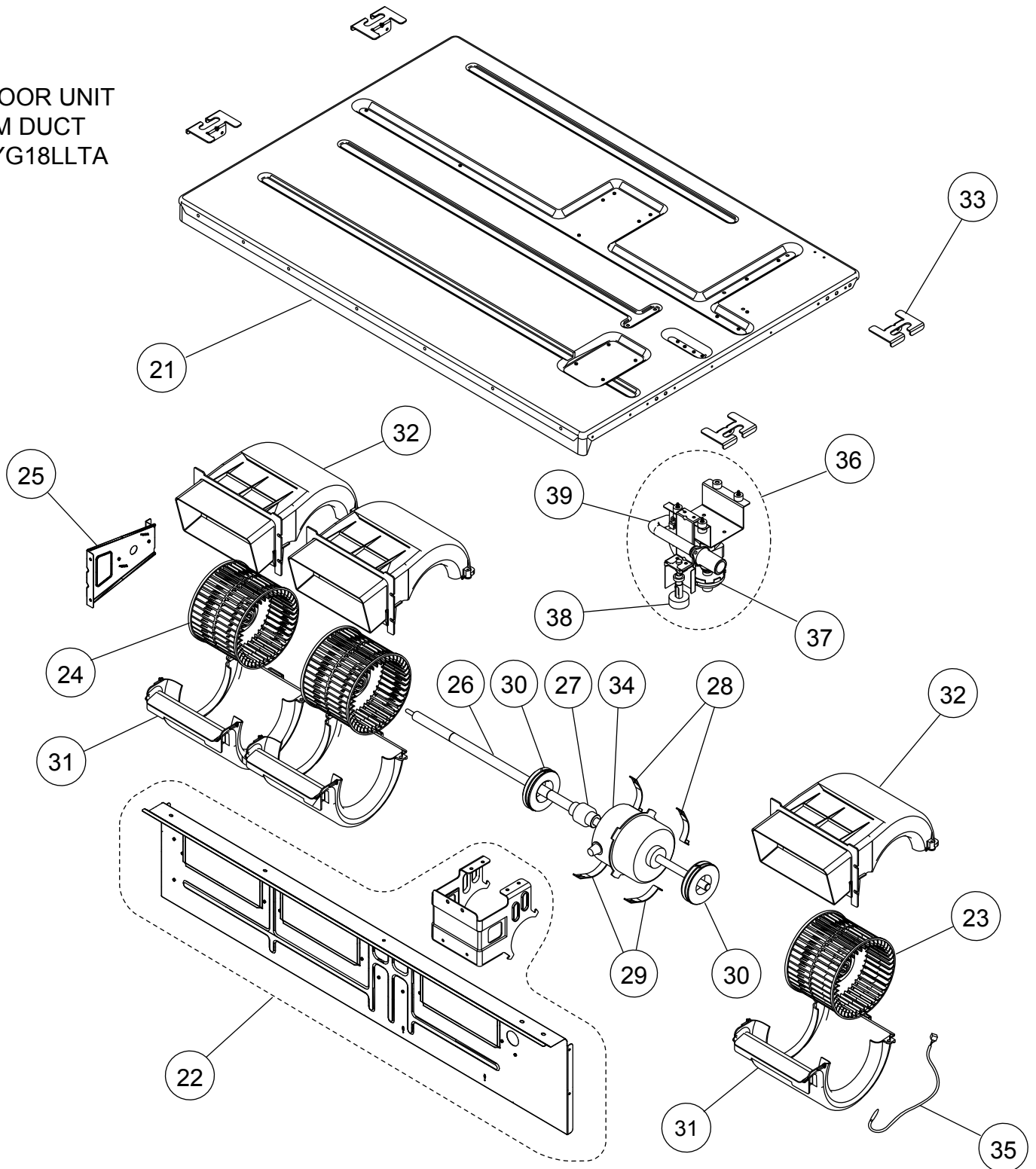
Ref	Description	Parts number	Ref	Description	Parts number
21	Top Panel Sub Assy	9379908009	29	Hook Metal	9379889001
22	Separator Sub Assy	9379898003	30	Fan Motor Assy (07)	9602966011
23	Sirroco Fan Assy	9379570015	30	Fan Motor Assy (09, 12, 14)	9602967018
24	Motor Band Assy	9379613002	31	Room Thermistor	9703299247
25	Motor Band	9379614009	32	Drain Pump Sub Assy	9379914000
26	Rubber (Vibration Proof)	9379644006	33	Pump Assy	9900472047
27	Casing B	9379572002	34	Float Switch	9900465032
28	Casing U	9379571005	35	Drain Hose Assy	9379913003



INDOOR UNIT
SLIM DUCT
ARYG18LLTA

Ref	Description	Parts number	Ref	Description	Parts number
1	Side Panel R Sub Assy	9379906005	10	Air Filter	9379575003
2	Side Panel L Sub Assy	9379907002	11	Main Panel Sub Assy	9379902014
3	Pipe Panel Sub Assy	9379900003	12	Cabinet Panel (3 Fan)	9379597005
4	Panel (Window) Sub Assy	9379915007	13	Drain Cap	9358746004
5	Outlet Frame Sub Assy	9379909013	14	Drain Pan Sub Assy	9379901017
6	Front Panel (3 Fan)	9379594004	15	Evaporator Total Assy	9364499604
7	Valve Cover Sub Assy	9379576000	16	Pipe Thermistor	9900623005
8	Cover Pipe Sub Assy	9380033004	--	Hose Sub Assy	9378450103
9	Fan Guard (3 Fan)	9379638005			

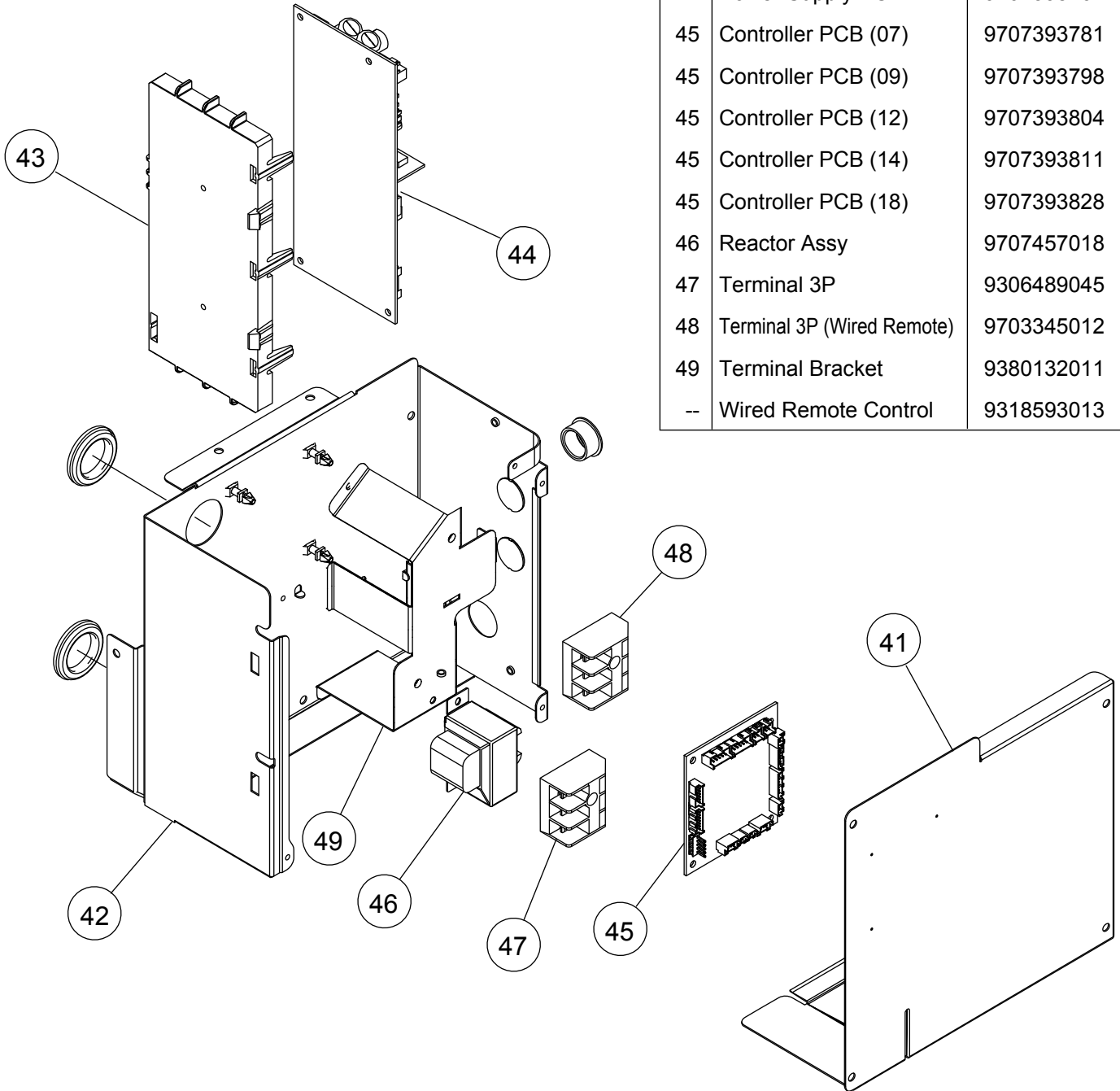
INDOOR UNIT
SLIM DUCT
ARYG18LLTA



Ref	Description	Parts number
21	Top Panel Sub Assy	9379908016
22	Separator Sub Assy	9379898010
23	Sirroco Fan Assy	9379570022
24	Sirroco Fan Assy	9379570039
25	Bracket (Bearing Sub Assy)	9379627009
26	Shaft	9380398004
27	Joint Assy	9378038011
28	Motor Band Assy	9379613002
29	Motor Band	9379614009
30	Rubber (Vibration Proof)	9379644006

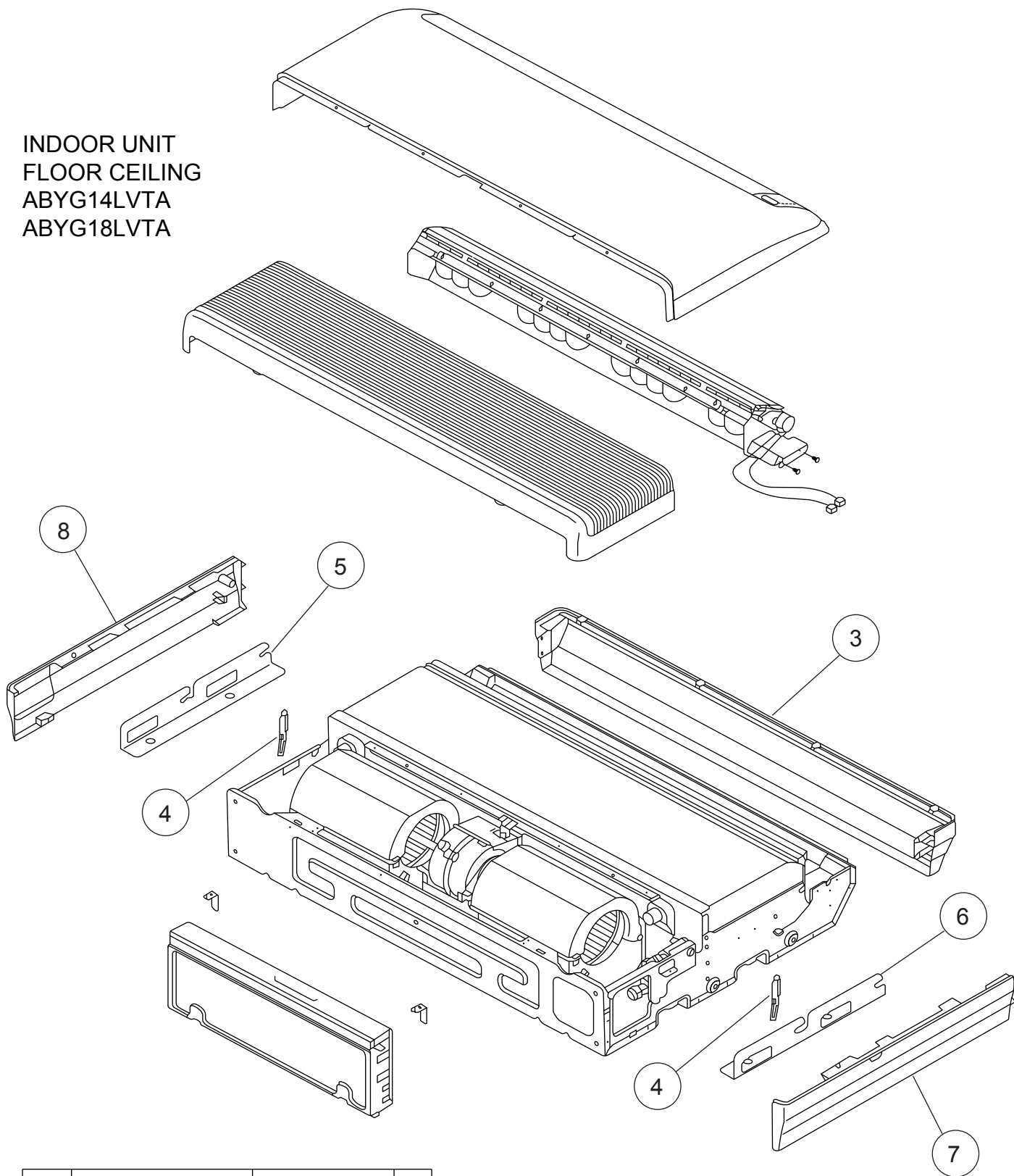
Ref	Description	Parts number
31	Casing B	9379572002
32	Casing U	9379571005
33	Hook Metal	9379889001
34	Fan Motor Assy	9602968015
35	Thermistor (Room)	9703299247
36	Drain Pump Sub Assy	9379914000
37	Pump Assy	9900472047
38	Float Switch	9900465032
39	Drain Hose Assy	9379913003

INDOOR UNIT
 SLIM DUCT
 ARYG07LLTA
 ARYG09LLTA
 ARYG12LLTA
 ARYG14LLTA
 ARYG18LLTA

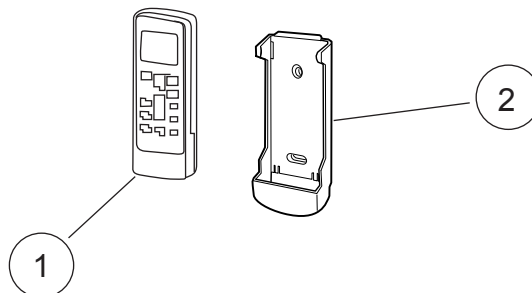


Ref	Description	Parts number
41	Control Cover Sub Assy	9379806039
42	Control Box Assy	9380041023
43	PCB Holder	9379402002
44	Power Supply PCB	9707398267
45	Controller PCB (07)	9707393781
45	Controller PCB (09)	9707393798
45	Controller PCB (12)	9707393804
45	Controller PCB (14)	9707393811
45	Controller PCB (18)	9707393828
46	Reactor Assy	9707457018
47	Terminal 3P	9306489045
48	Terminal 3P (Wired Remote)	9703345012
49	Terminal Bracket	9380132011
--	Wired Remote Control	9318593013

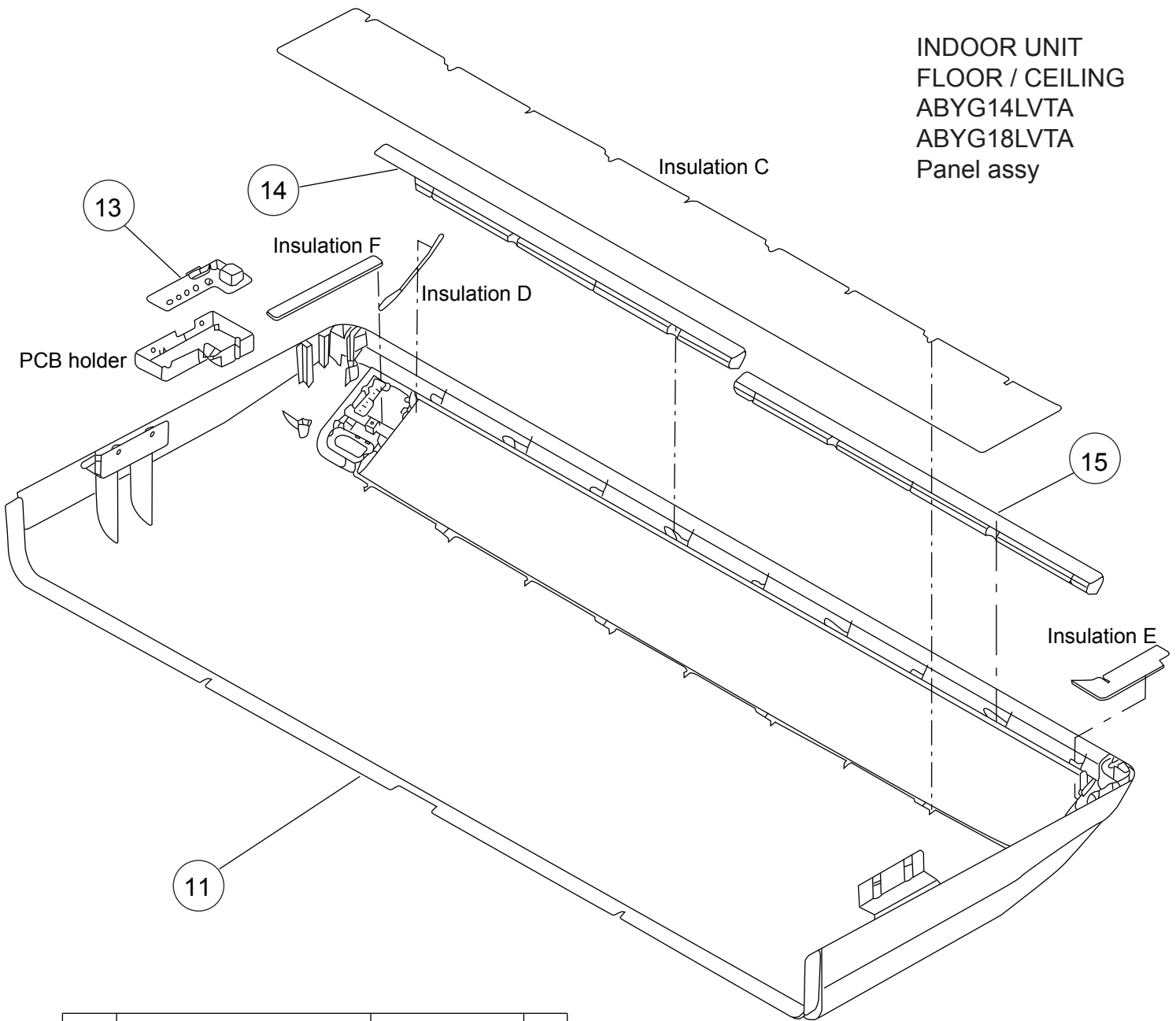
INDOOR UNIT
FLOOR CEILING
ABYG14LVTA
ABYG18LVTA



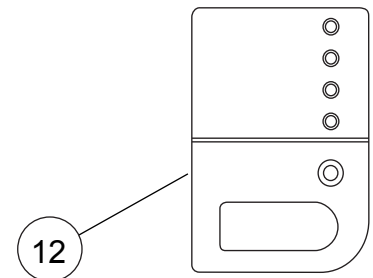
Ref.	Description	Part number
1	Remote	9379219037
2	Remote Holder	9305642045
3	Top Cover	9358534021
4	Arm	9358565001
5	Hanger Bracket L	9358596005
6	Hanger Bracket R	9358595008
7	Cosmetic Panel R	9358535028
8	Cosmetic Panel L	9358536025



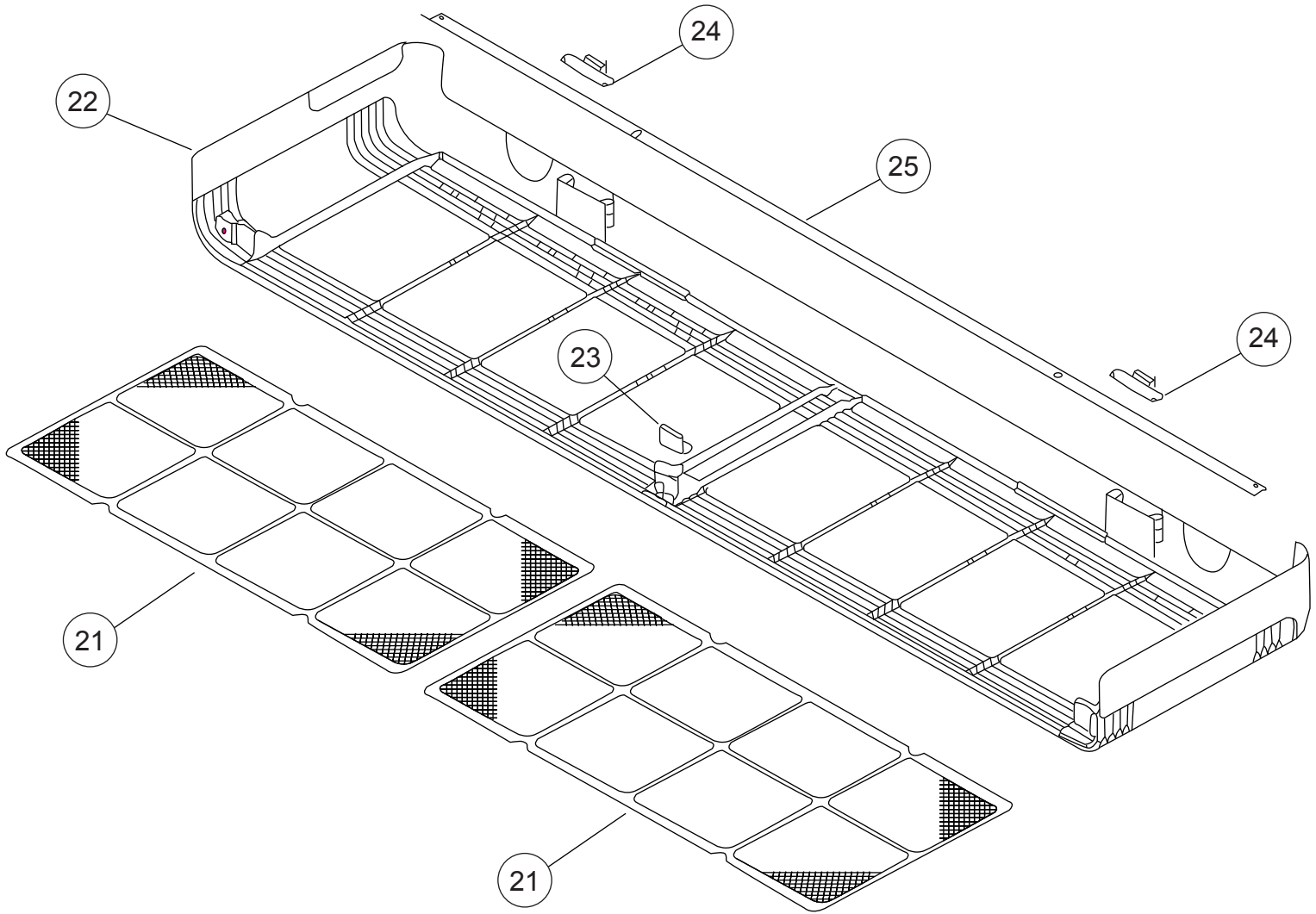
INDOOR UNIT
 FLOOR / CEILING
 ABYG14LVTA
 ABYG18LVTA
 Panel assy



Ref.	Description	Part number
11	Panel	9358531259
12	Side Cover R Assy	9359069102
13	Indicator PCB Assy	9705798090
14	Insulation (Panel) A	9358574003
15	Insulation (Panel) B	9358914007
--	Panel Assy (with side cover R)	9359076322

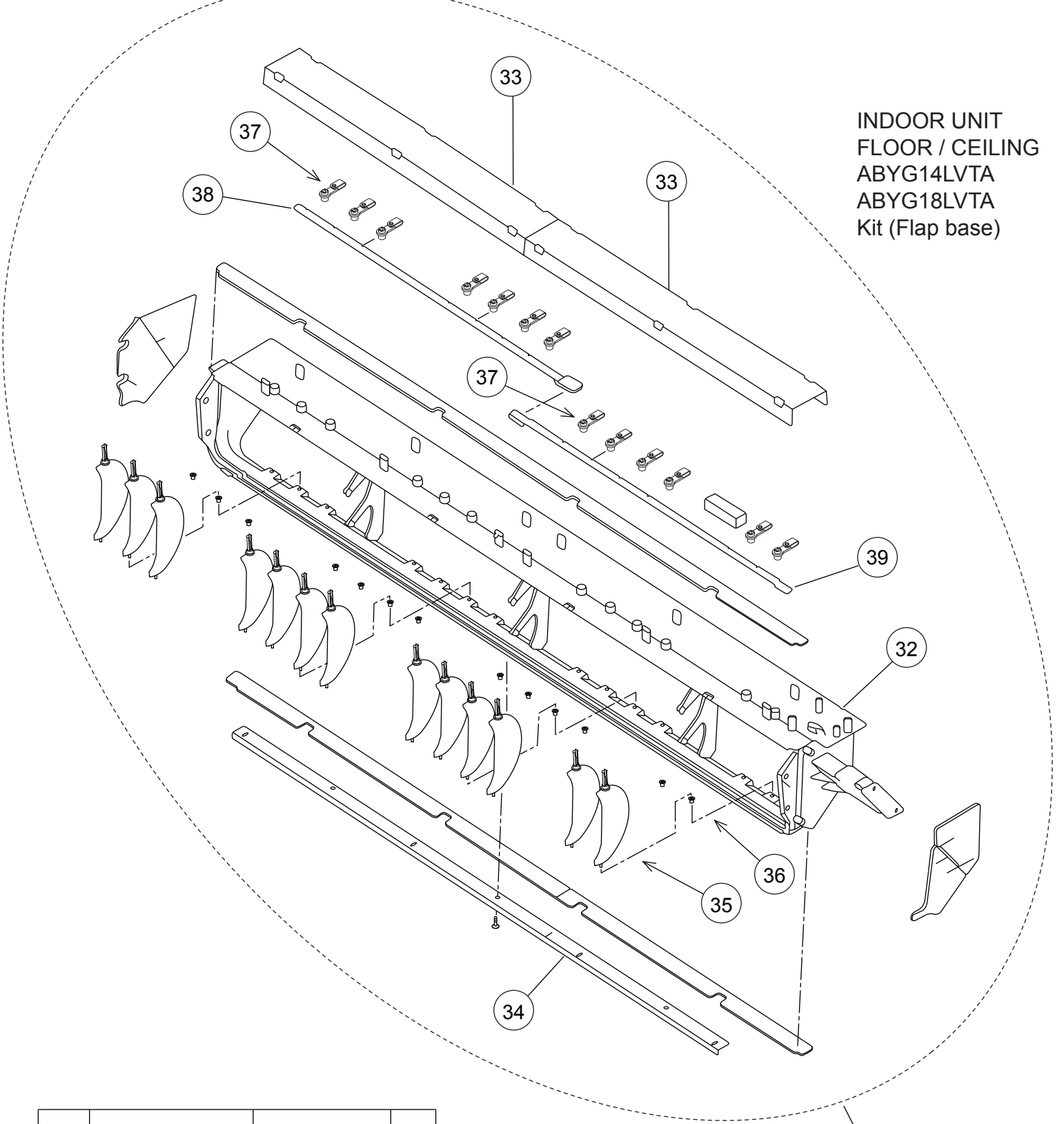


INDOOR UNIT
 FLOOR / CEILING
 ABYG14LVTA
 ABYG18LVTA
 Grille



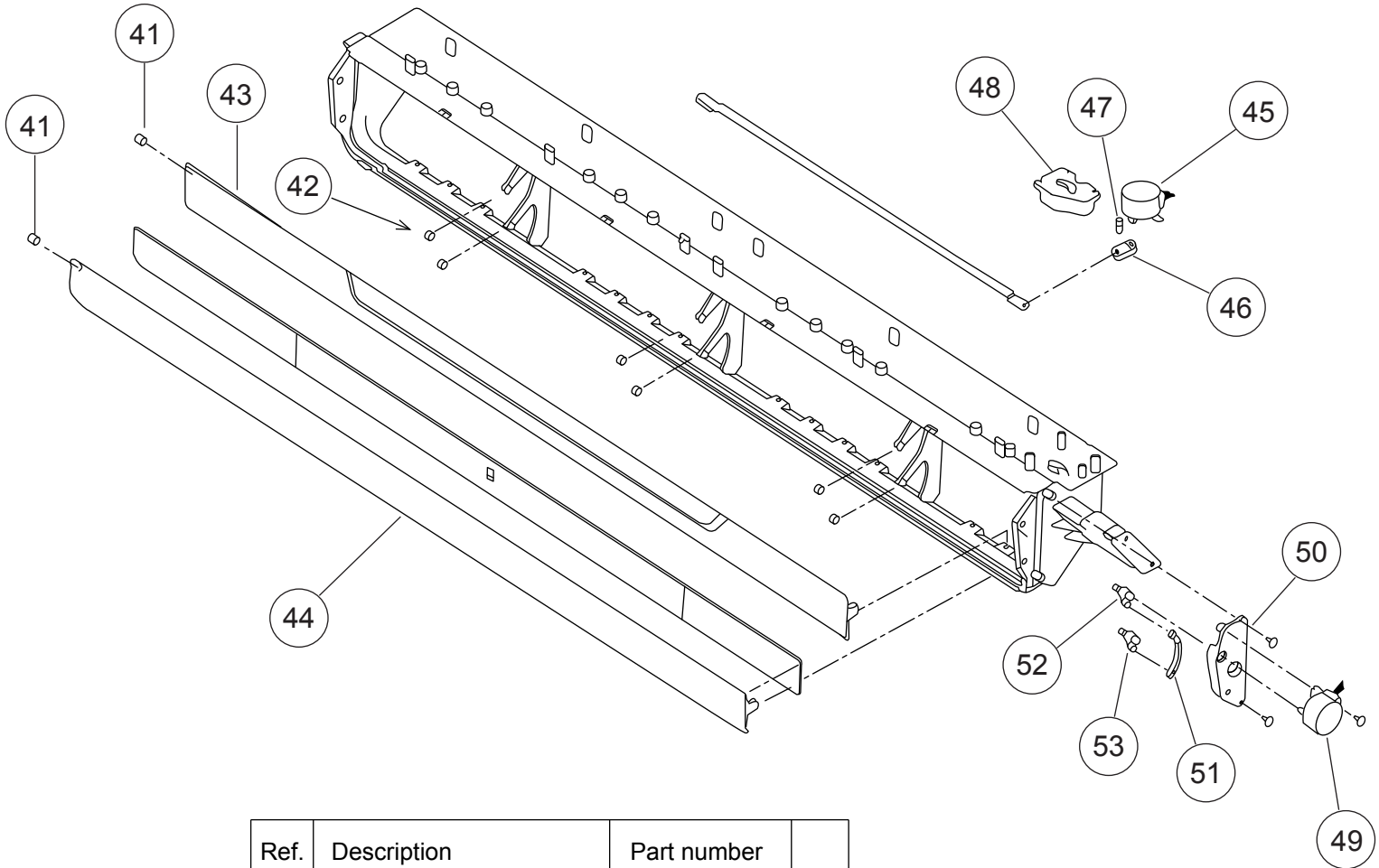
Ref.	Description	Part number	
21	Air Filter	9358567029	
22	Grill F	9358532027	
23	Arm Bracket	9359281009	
24	Grille Support	9358602003	
25	Filter Bracket	9358607008	

INDOOR UNIT
 FLOOR / CEILING
 ABYG14LVTA
 ABYG18LVTA
 Kit (Flap base)



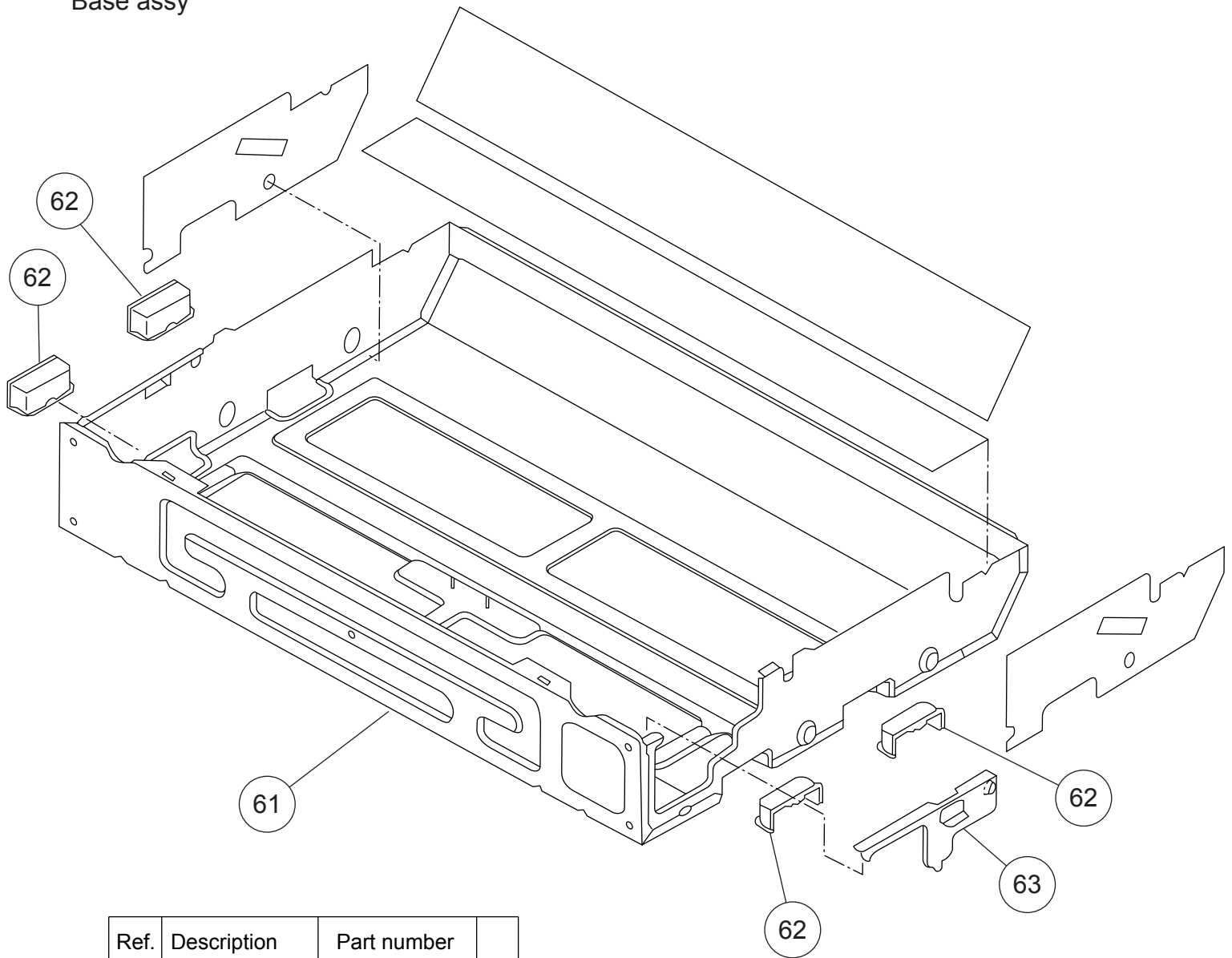
Ref.	Description	Part number	
31	Kit (Flap Base)	9372670040	
32	Flap Base	9358537022	
33	Protect Cover	9358564011	
34	Support Stay	9358599006	
35	Louver	9358561027	
36	Bushing B	9358554005	
37	Louver Stopper	9358555002	
38	Louver Rod	9358559017	
39	Motor Rod	9358560013	

INDOOR UNIT
 FLOOR / CEILING
 ABYG14LVTA
 ABYG18LVTA
 Flap base sub assy

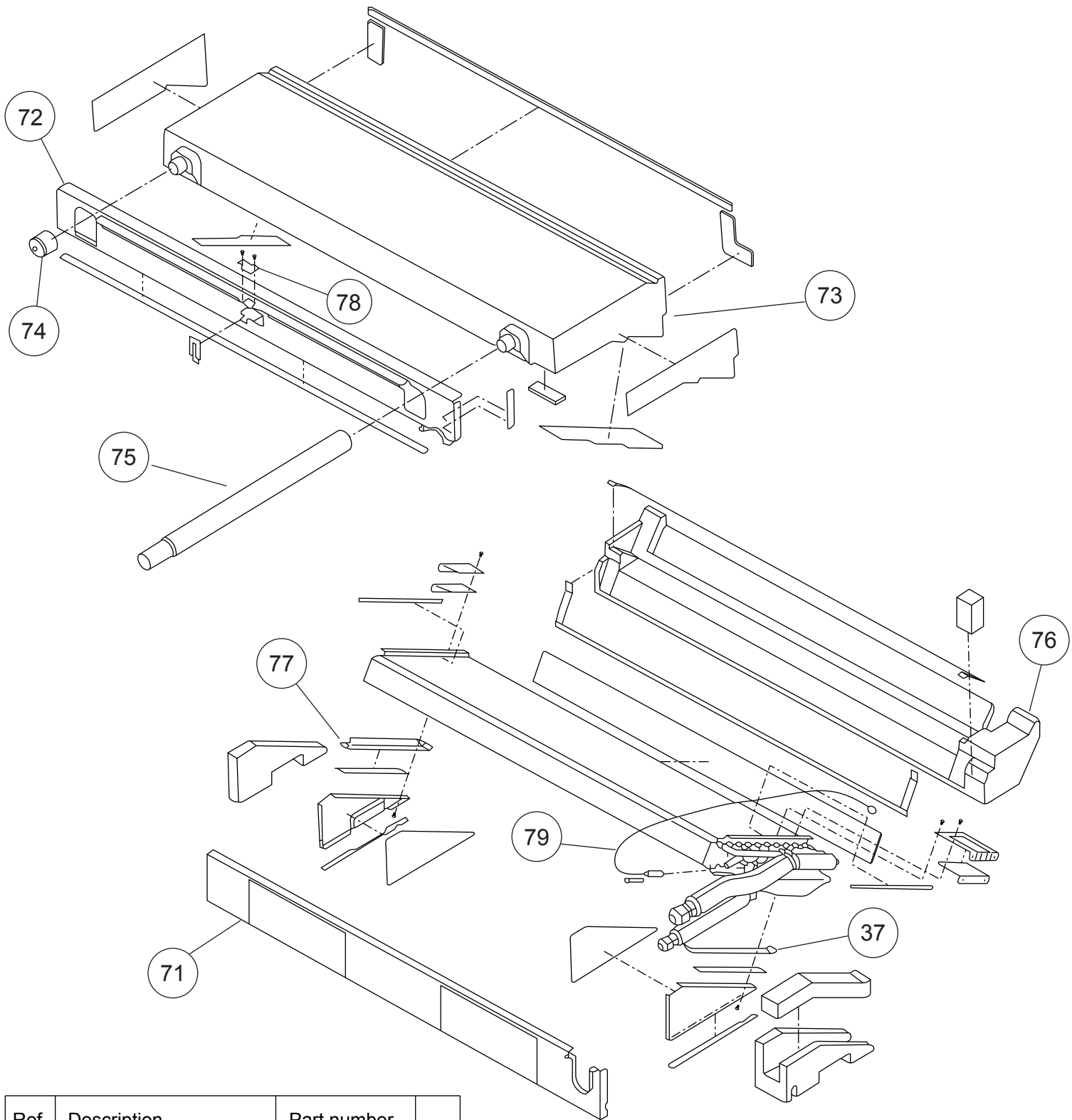


Ref.	Description	Part number
41	Bushing	9357942001
42	Bushing C	9358553008
43	Flap (Upper) F	9358538029
44	Kit (Flap Lower)	9372671023
45	Step Motor H	9900297015
46	Louver Link	9358556009
47	Louver Shaft	9358557006
48	Louver Link Cover	9358558010
49	Step Motor-V	9900362010
50	Motor Base	9358562017
51	Motor Rod-A (Step V)	9358550007
52	Flap Link-Upper (Step V)	9358551004
53	Flap Link-Lower (Step V)	9358552001

INDOOR UNIT
 FLOOR / CEILING
 ABYG14LVTA
 ABYG18LVTA
 Base assy

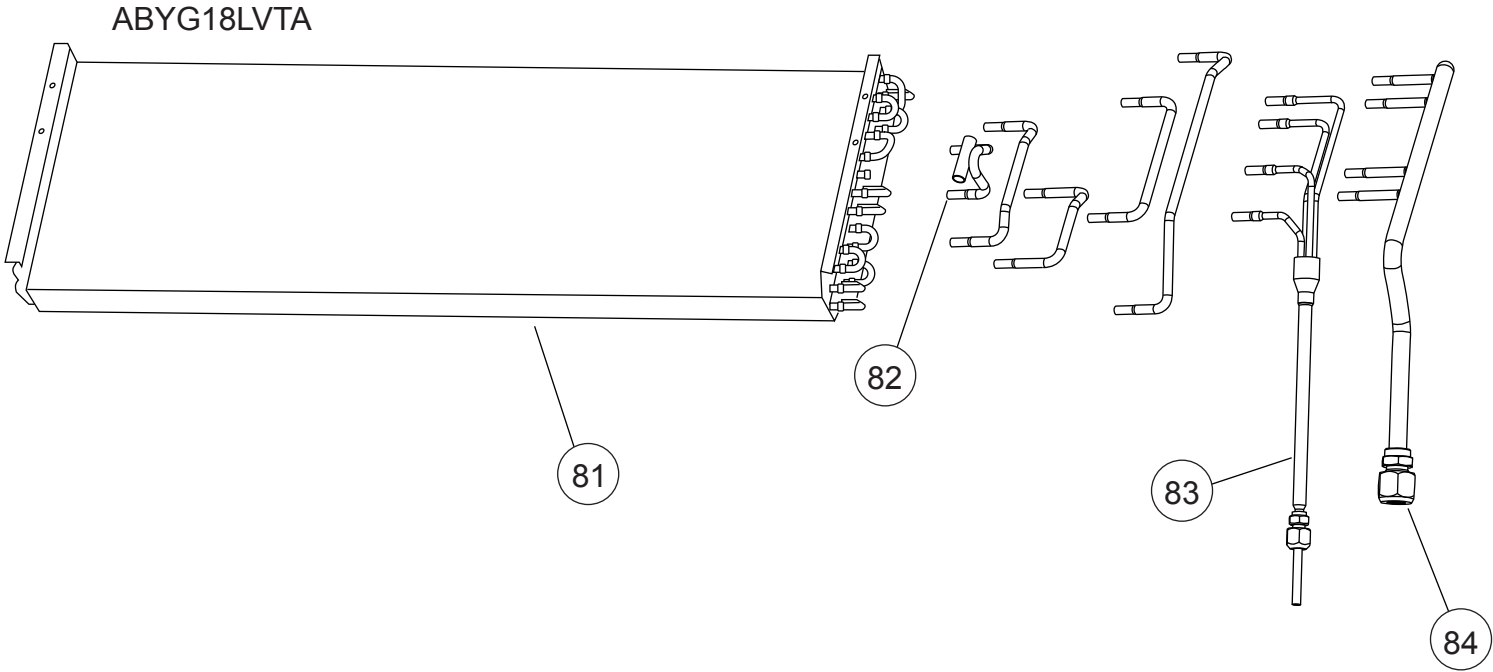
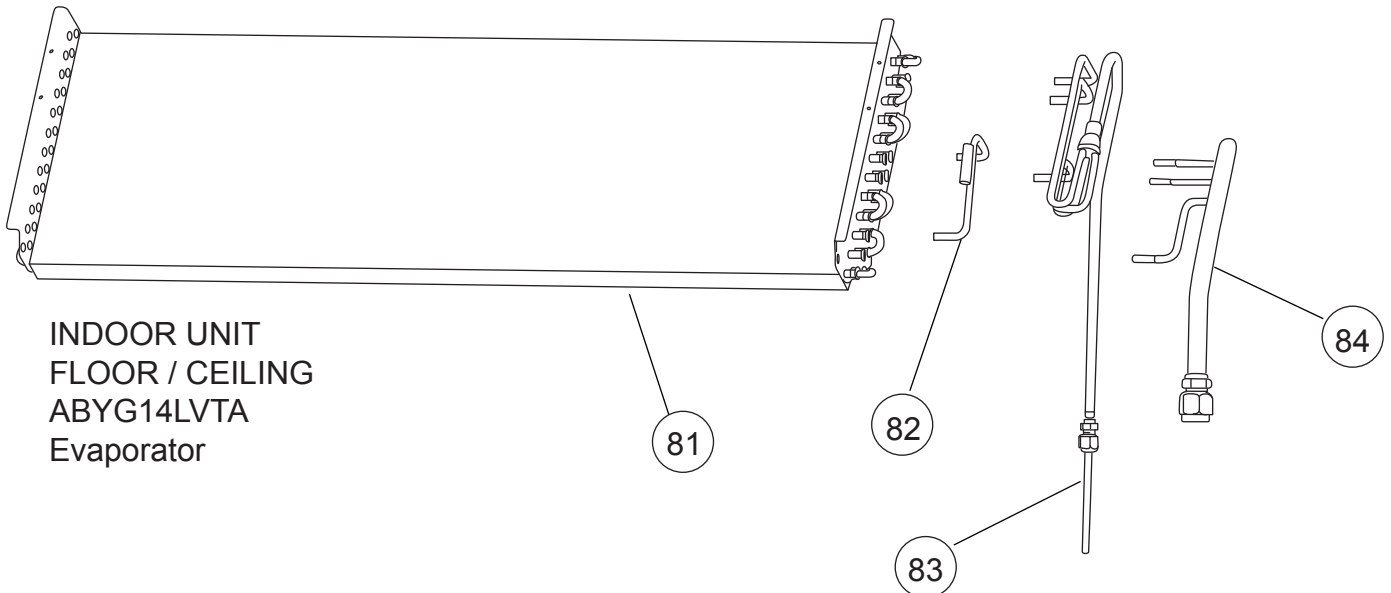


Ref.	Description	Part number	
61	Base Assy	9359061014	
62	Cap	9358563007	
63	Base Bracket	9358586006	



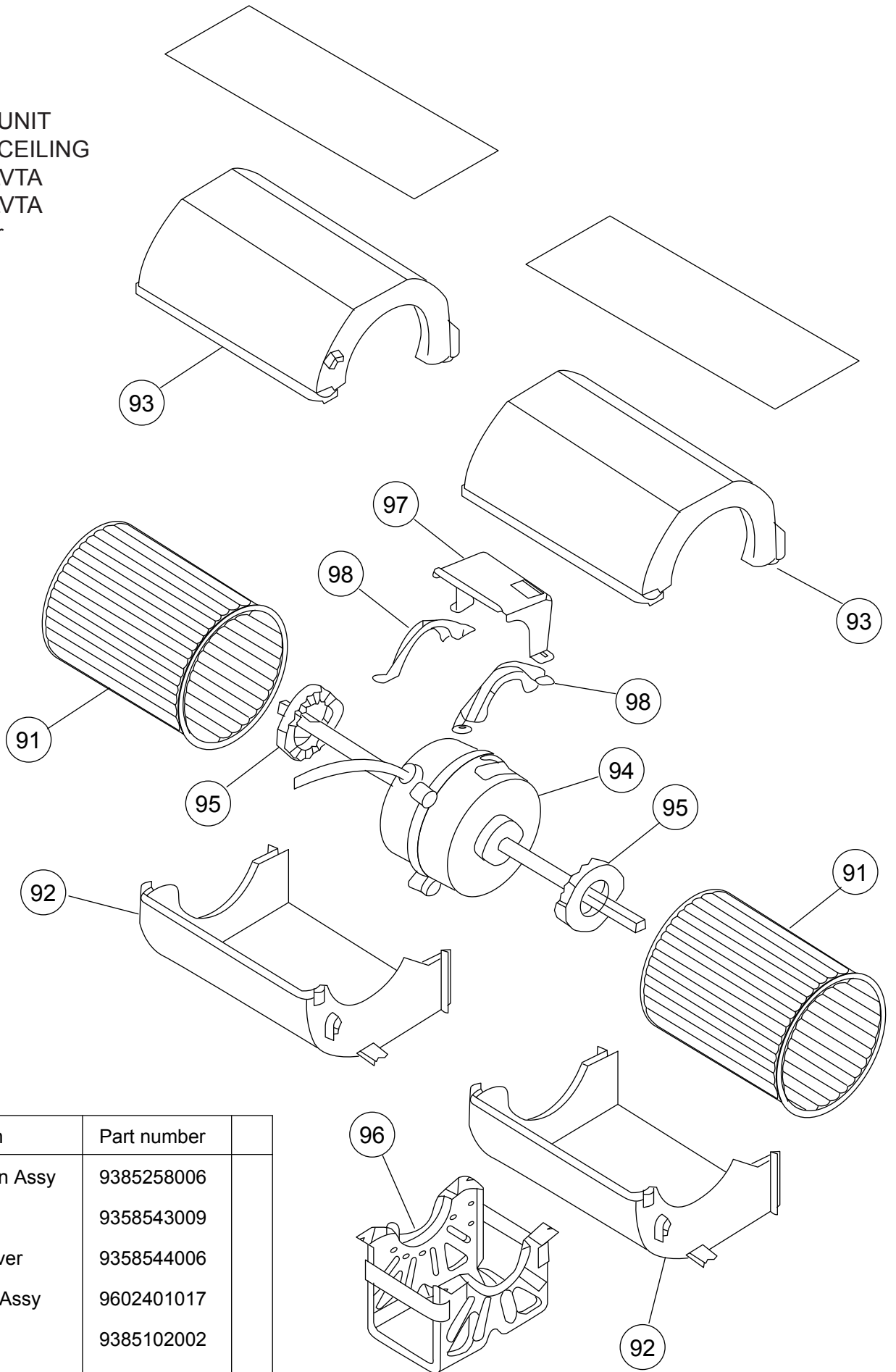
Ref.	Description	Part number
71	Kit (Separate Wall A)	9372666012
72	Kit (Separate Wall B)	9373448013
73	Kit (Drain Pan Assy)	9372669013
74	Drain Cap	9358746004
75	Drain Hose Assy	9377785060
76	Kit (Insulation Flap Base)	9372672013
77	Kit (Dew Proof Plate)	9372673010
78	Catch	9359096009
79	Pipe Thermistor	9900022020

INDOOR UNIT
 FLOOR / CEILING
 ABYG14LVTA
 ABYG18LVTA
 Drain pan assy
 Evaporator



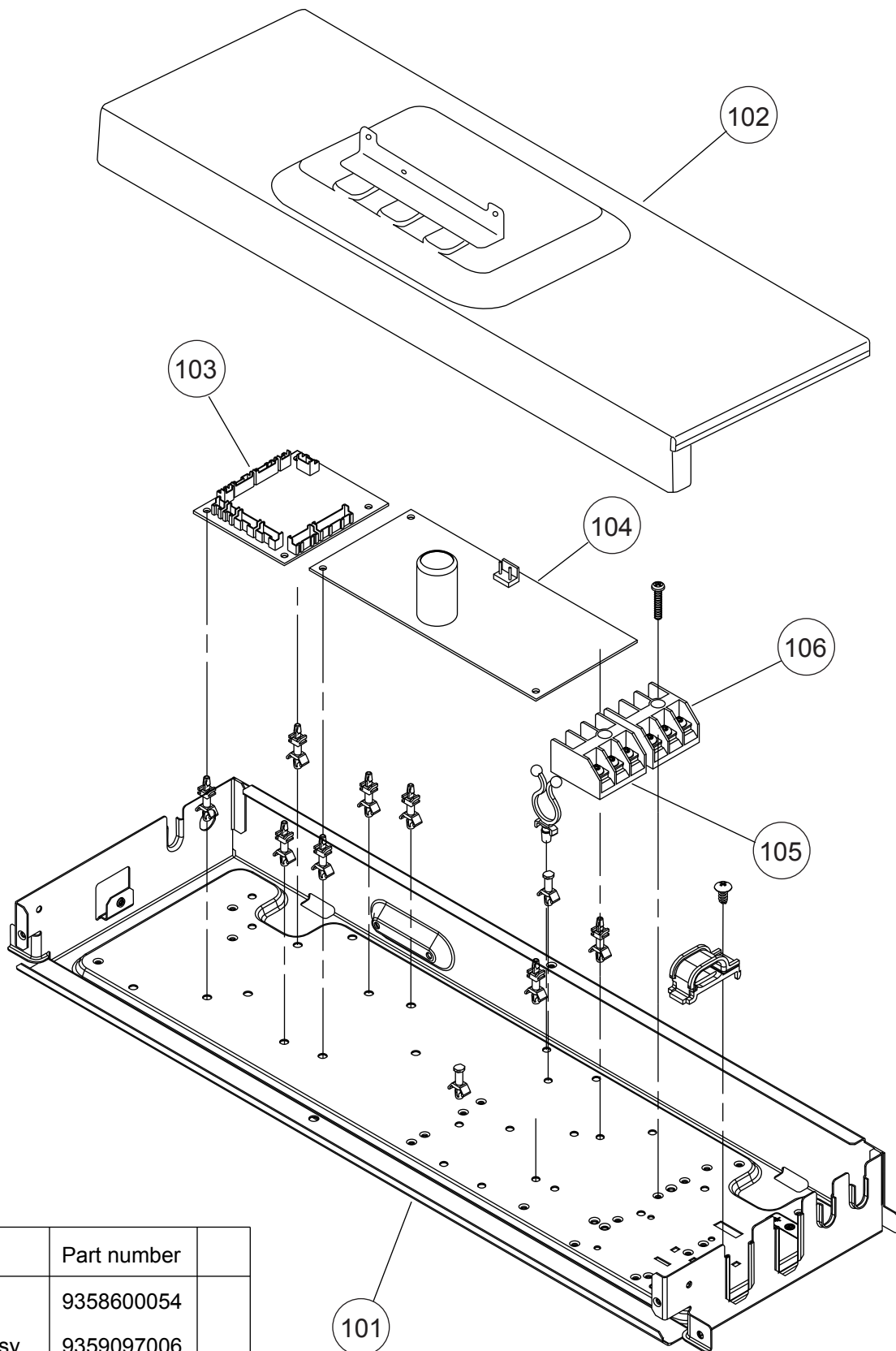
Ref.	Description	Part number	
		ABYG14LVTA	ABYG18LVTA
81	Evaporator Assy	9362513029	9362513043
82	Bypass Pipe Assy	9373032014	9377819017
83	Distributor Assy	9380354017	9380354000
84	Coupling Pipe Assy	9380355014	9380355007

INDOOR UNIT
 FLOOR / CEILING
 ABYG14LVTA
 ABYG18LVTA
 Fan motor



Ref.	Description	Part number
91	Sirocco Fan Assy	9385258006
92	Casing	9358543009
93	Casing Cover	9358544006
94	Fan Motor Assy	9602401017
95	Rubber	9385102002
96	Motor Fixing Table	9358591000
97	Protector	9359282006
98	Motor Fixture	9358594001

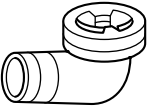
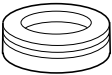
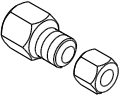

INDOOR UNIT
 FLOOR / CEILING
 ABYG14LVTA
 ABYG18LVTA
 Control unit



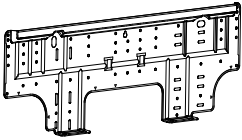
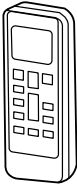



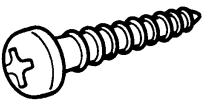

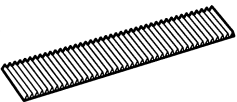
Ref.	Description	Part number
101	Control Box	9358600054
102	Control Box Cover Assy	9359097006
103	Controller PCB Assy (14)	9707393842
103	Controller PCB Assy (18)	9707393859
104	Power Supply PCB Assy	9707398274
105	Terminal 3P	9306489045
106	Terminal 3P	9703345012
--	Room Thermistor Assy	9703299087

ACCESSORIES

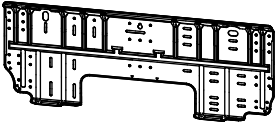
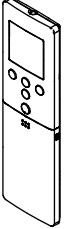

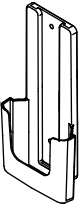
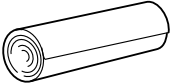
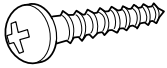
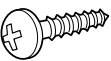
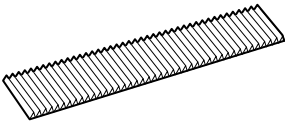
OUTDOOR UNIT

Name and Shape	Q'ty	Use
Drain pipe 	1	For drain piping work
Drain cap 	2	
Adapter assy 12.7 mm → 9.52 mm (1/2 in.) (3/8 in.) 	1	For use when connecting models 7-12 to outdoor port A
Putty 	1	For sealing

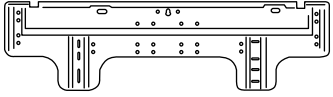


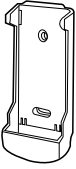

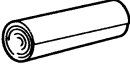
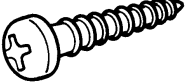
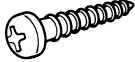
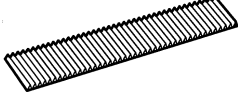
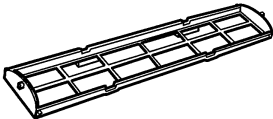
**INDOOR UNIT
COMPACT WALL MOUNTED
ASYG07, 09, 12LJCA**

Name and Shape	Q'ty
Wall hook bracket 	1
Remote control 	1
Battery 	2
Remote control holder 	1
Cloth tape 	1
Tapping screw (big) 	8
Tapping screw (small) 	2
Air cleaning filter 	2


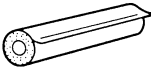


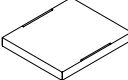
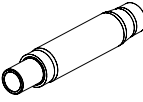

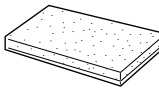
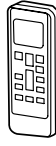
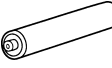



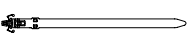
**COMPACT WALL MOUNTED
ASYG07, 09, 12, 14LUCA**

Name and Shape	Q'ty
Bracket panel 	1
Remote control 	1
Battery 	2
Remote control holder 	1
Cloth tape 	1
Tapping screw (big) 	8
Tapping screw (small) 	2
Air cleaning filter 	2

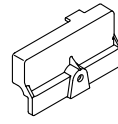
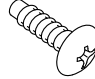

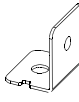
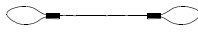
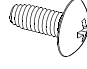
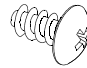
**WALL MOUNTED
ASYG18LFCA**

Name and Shape	Q'ty
Wall hook bracket 	1
Remote control 	1
Battery 	2
Remote control holder 	1
Drain hose insulation 	1
Cloth tape 	1
Tapping screw (big) 	8
Tapping screw (small) 	2
Air cleaning filter 	2
Air cleaning filter frame 	2

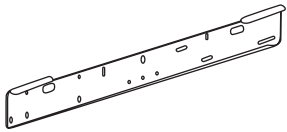
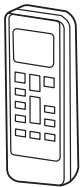
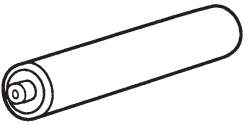


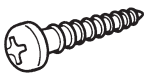


**INDOOR UNIT
COMPACT CASSETTE
AUYG07, 09, 12, 14, 18LVLA**

Name and Shape	Q'ty	Application
Coupler heat insulation (Large) 	1	For indoor side pipe joint (Gas pipe)
Coupler heat insulation (Small) 	1	For indoor side pipe joint (Liquid pipe)
Special nut A (Large range) 	4	For installing indoor unit
Special nut B (Small range) 	4	For installing indoor unit
Template (Carton top) 	1	For cealing openings cutting Also used as packing
Drain hose 	1	For installing drain pipe
Hose Band 	1	For installing drain hose
Drain hose insulation 	1	For installing drain pipe
Remote control 	1	For air conditioner operation
Battery 	2	For remote control
Remote control holder 	1	For installing the remote control
Tapping screw (M3 × 12mm) 	2	For mounting the remote control holder
Binder 	2	For electrical wiring
Wire clammer 	1	For electrical wiring

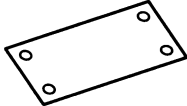



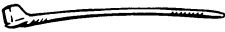
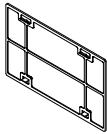
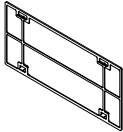
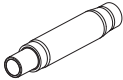

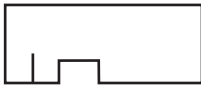



**DECORATION PANEL
UTG-UFYD-W**

Name and Shape	Q'ty	Application
Connector cover 	1	For covering connector
Tapping Screw (M5 × 12 mm) 	4	For mounting decoration panel
Tapping Screw (M4 × 12 mm) 	1	For mounting connector cover
L angle 	2	For mounting the Hook Wire to the Decoration panel
Hook wire 	2	For suspending the Decoration panel
Screw [pitch small] (M4 × 10 mm) 	2	For mounting the Hook Wire (for metals)
Screw [pitch large] (M4 × 10 mm) 	4	For mounting the L angle and Hook wire (for resins)

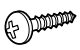
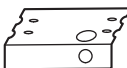

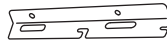









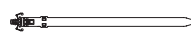


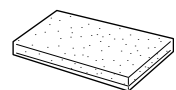


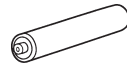

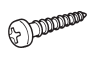
INDOOR UNIT
 FLOOR
 AGYG09LVCA
 AGYG12LVCA
 AGYG14LVCA

Name and Shape	Q'ty
Wall hook bracket 	1
Remote control 	1
Battery 	2
Remote control holder 	1
Cloth tape 	1
Tapping screw (M4 x 25 mm) 	9
Tapping screw (M3 x 12 mm) 	2
Air cleaning filter 	2

INDOOR UNIT
SLIM DUCT
ARYG07LLTA
ARYG09LLTA
ARYG12LLTA
ARYG14LLTA
ARYG18LLTA

Name and Shape	Q'ty	Application
Installation template 	1	For positioning the indoor unit
Washer 	8	For installing indoor unit
Coupler heat insulation (Large) 	1	For indoor side pipe joint (Large pipe)
Coupler heat insulation (Small) 	1	For indoor side pipe joint (Small pipe)
Binder 	Medium 3	For power supply and remote control cable binding.
	Large 4	For fixing the coupler heat insulation.
Filter (Small) 	2	(ARYG07LLTA ARYG09LLTA ARYG12LLTA ARYG14LLTA)
Filter (Big) 	2	(ARYG18LLTA)
Drain hose 	1	For installing drain pipe VP25 (O.D. 32, I.D. 26)
Hose band 	1	For installing drain hose
Drain hose insulation B 	1	Insulates the drain hose
Wired remote control 	1	
Remote control cable 	1	For connecting the remote control
Tapping screw (M4 × 16 mm) 	2	For installing the remote control

INDOOR UNIT
FLOOR / CEILING
ABYG14LVTA
ABYG18LVTA

Name and Shape	Q'ty	Name and Shape	Q'ty
screw (M4 × 10mm) 	2	Installation template 	1
bracket (left)  For suspending the indoor unit from ceiling	1	bracket (right)  For suspending the indoor unit from ceiling	1
Anchor bolt (M12)  For suspending the indoor unit from ceiling	4	Spring washer  For suspending the indoor unit from ceiling	4
Special nut  For suspending the indoor unit from ceiling	4	Wall bracket  For suspending the indoor unit on the wall	2
screw(M4 × 20mm)  For fixing the wall bracket	6	Coupler heat insulator (Large)  For indoor side pipe joint(Large pipe)	1
Coupler heat insulator (Small)  For indoor side pipe joint (Small pipe)	1	Binder(Large)  For fixing the drain hose	1
Binder(Small)  For electrical wiring	2	Wire clammer  For electrical wiring	1
Drain hose  1	1	Hose Band  For installing drain hose	1
insulation(Drain hose)  Adhesive type 100 x 220(mm)	1	VT wire  For fixing the drain hose L 280mm	1
Remote control  For air conditioner operation	1	Battery  For remote controller	2
Remote control holder  1	1	Screw (M3 × 12mm)  For remote control holder installation	2

1102G3892