



AIR CONDITIONER

Wall Mounted type

DESIGN & TECHNICAL MANUAL

INDOOR



AS*G18LFCA
AS*G24LFCC
AS*G30LFCA

OUTDOOR



AO*G18LFC
AO*G24LFCC



AO*G30LFT

FUJITSU GENERAL LIMITED

1. INDOOR UNIT

WALL MOUNTED TYPE :

AS*G18LFCA

AS*G24LFCC

AS*G30LFCA

CONTENTS

1. INDOOR UNIT

1. FEATURES	01 - 01
2. WIRELESS REMOTE CONTROLLER	01 - 04
3. SPECIFICATIONS	01 - 06
4. DIMENSIONS	01 - 08
5. WIRING DIAGRAMS	01 - 10
6. CAPACITY TABLE	01 - 11
6-1. COOLING CAPACITY	01 - 11
6-2. HEATING CAPACITY.....	01 - 12
7. FAN PERFORMANCE	01 - 13
7-1. AIR VELOCITY DISTRIBUTION.....	01 - 13
7-2. AIRFLOW.....	01 - 15
8. OPERATION NOISE (SOUND PRESSURE)	01 - 18
8-1. NOISE LEVEL CURVE	01 - 18
8-2. SOUND LEVEL CHECK POINT	01 - 20
9. ELECTRICAL CHARACTERISTICS	01 - 21
10. SAFETY DEVICES	01 - 22
11. EXTERNAL INPUT & OUTPUT	01 - 23
11-1. EXTERNAL INPUT	01 - 23
11-2. EXTERNAL OUTPUT.....	01 - 25
12. FUNCTION SETTINGS	01 - 26
12-1. INDOOR UNIT (Setting by remote controller).....	01 - 26
13. OPTIONAL PARTS	01 - 30
13-1. CONTROLLERS	01 - 30
13-2. OTHERS.....	01 - 30

1. FEATURES

MODEL

- AS*G18LFCA
- AS*G24LFCC
- AS*G30LFCA

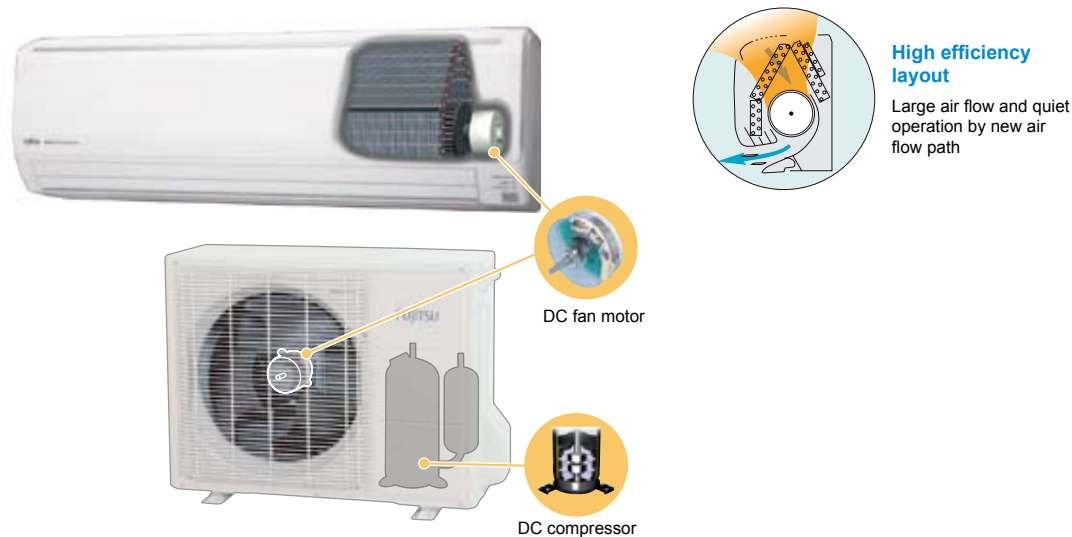


FEATURES

Energy efficiency class

	MODEL		
	AS*G18LFCA	AS*G24LFCC	AS*G30LFCA
Cooling	A++	A++	A+
Heating	A	A	A

All DC



Super quiet

Airflow mode can be set in 4 steps and more detailed airflow setting is possible.

Easy maintenance

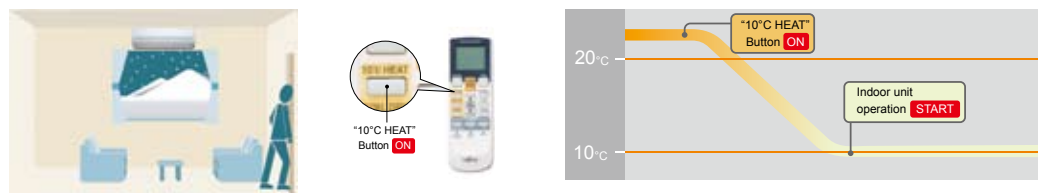
Easy maintenance and always clean. Troublesome maintenance has been made easy. Since the front panel is easy to remove, maintenance is also easy.

10°C HEAT Operation

The room temperature can be set to go no lower than 10 °C, thus ensuring that the room does not get too cold when not occupied

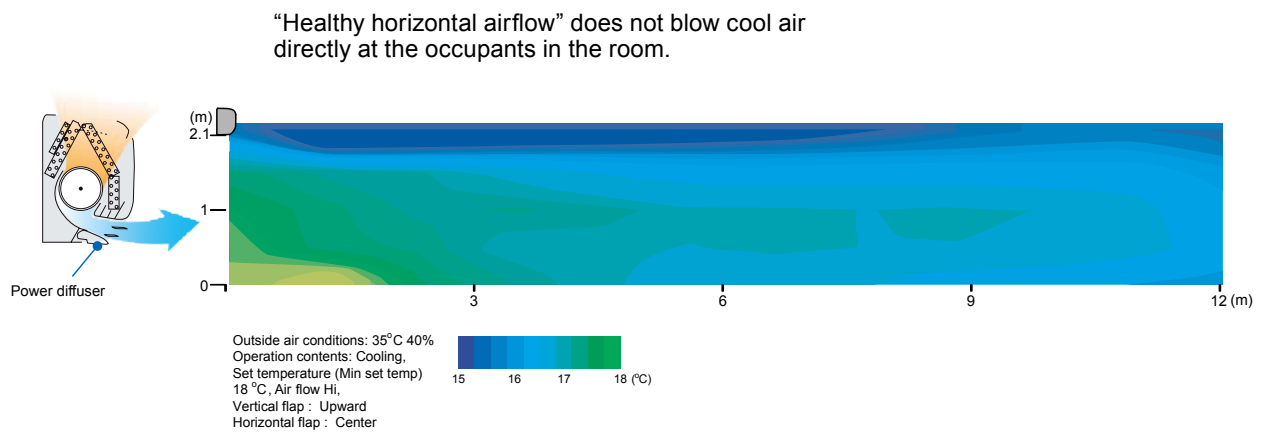
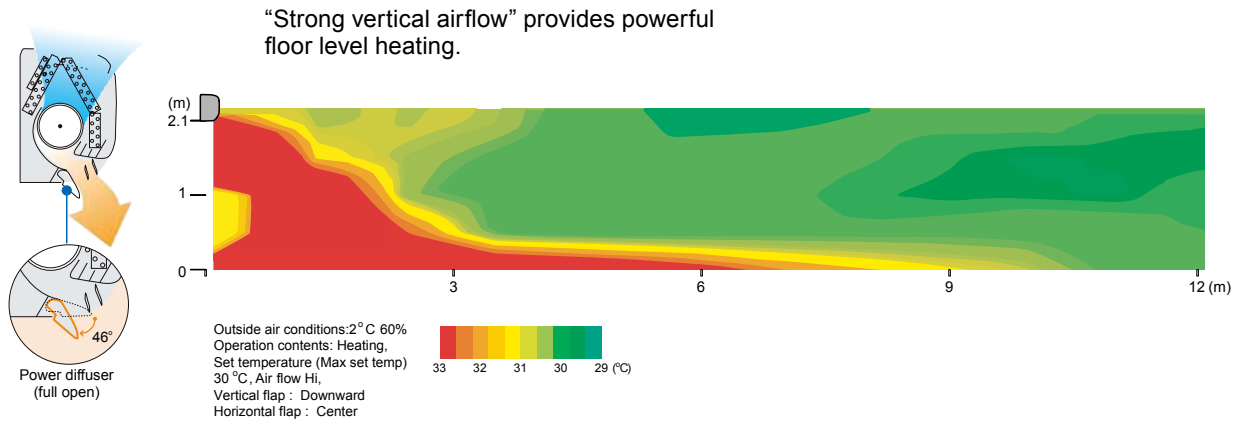
Caution)

- When the room temperature is higher than 10 °C, "10°C HEAT" operation will not start. Operation starts and maintains the room temperature at 10 °C when the temperature drops below 10 °C.



● Power diffuser

Adoption of large power diffuser



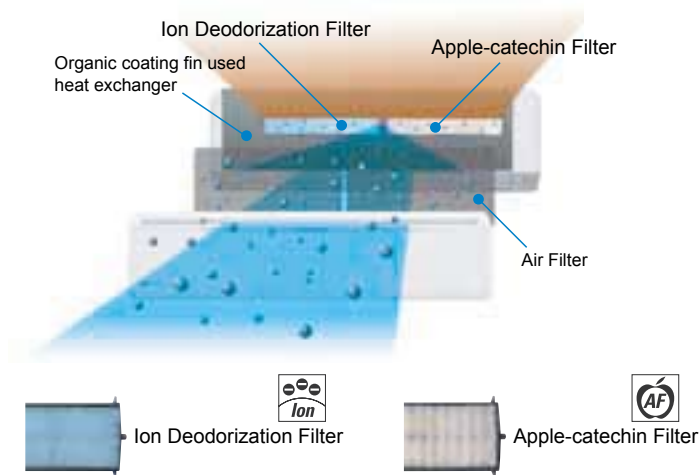
● Low outdoor air temperature cooling and heating correspondence

Corresponds to cooling operation at -10 °C and heating operation at -15 °C outdoor air temperature

Cooling	-10 °C
Heating	-15 °C

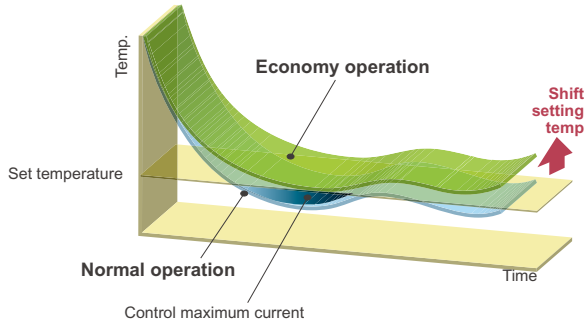
● Corresponds to maximum 50m-long piping (30 type)

● Air conditioner filter features



● Economy operation

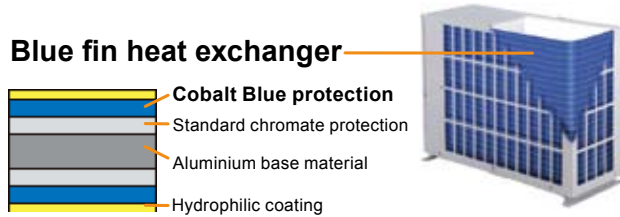
Example: Cooling operation



- Economy operation is energy saving, as the set temperature of indoor unit is shifted by 1 °C and the maximum electric value of the outdoor unit is suppressed.

● Blue fin heat exchanger (30 type)

Corrosion-resistance of the heat exchanger even in coastal areas has been improved by blue fin treatment of the outdoor unit heat exchanger.



2. WIRELESS REMOTE CONTROLLER

■ FEATURES



- 4 mode timer setup available (ON / OFF / PROGRAM / SLEEP).
- Can be used jointly with wired remote controllers .
- Easy to change signal code (max. 4 units) by button operation.

● Simple function setting

Setting of the air conditioner selection function is performed by remote controller.

● Built-in timers

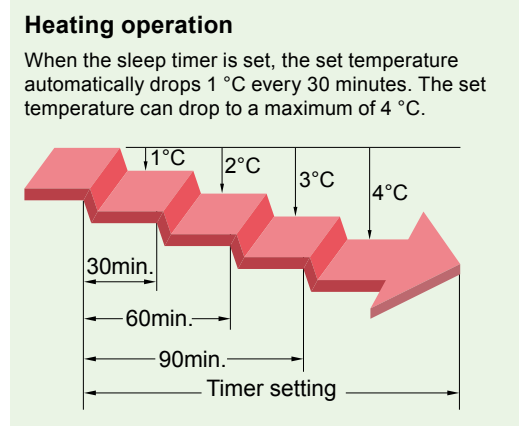
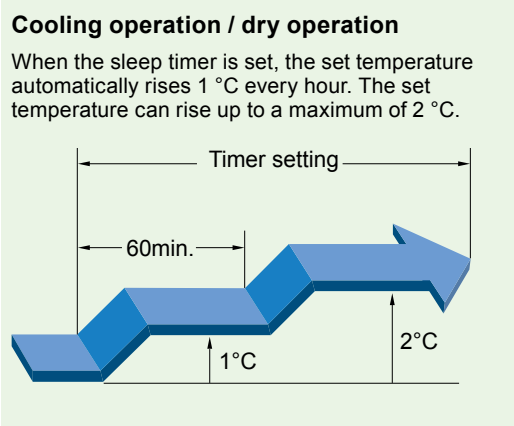
Select from 4 different timer programs (ON / OFF / PROGRAM / SLEEP).

● Program timer

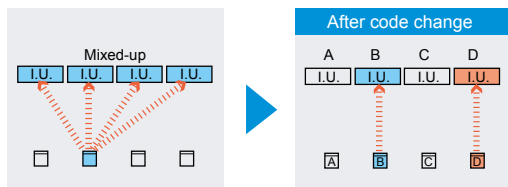
The program timer operates the on and off timer once within a 24-hour period.

● Sleep timer

The sleep timer function automatically corrects the temperature thermostat setting according to the time setting to prevent excessive cooling and heating while sleeping.



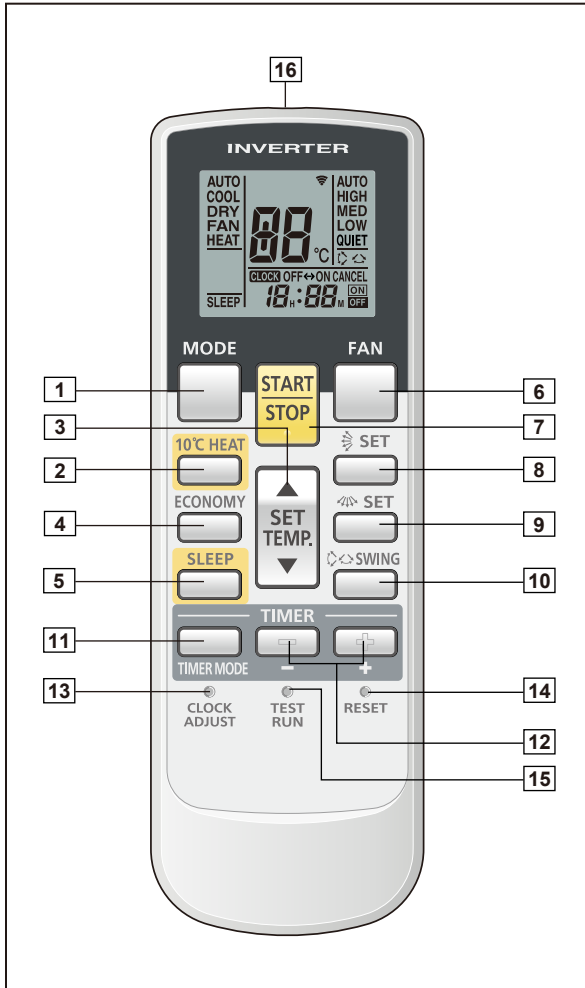
● Switching remote controller signal code



- Code selector switch eliminates unit being wrongly switched.
(Up to 4 codes can be set.)

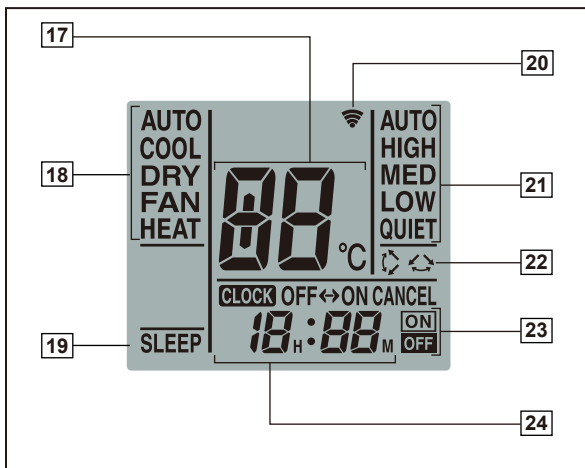
*I.U.=Indoor unit

FUNCTIONS



- 1 MODE button
Selects the operating mode (AUTO, COOL, DRY, FAN, HEAT). /Start / end R.C. custom code change. (Max 4 types)
- 2 10°C HEAT button
- 3 SET TEMP. button (▲ / ▼)
Set remote controller custom code buttons
Sets the indoor temp./ Sets R.C. custom code.
- 4 ECONOMY button
- 5 SLEEP button
Pressed to select sleep timer.
- 6 FAN button
Selects the fan speed (AUTO, HIGH, MED, LOW, QUIET).
- 7 START/STOP button
Pressed to start and stop operation.
- 8 SET button (Vertical)
Airflow direction vertical set button.
- 9 SET button (Horizontal)
Airflow direction horizontal set button.
- 10 SWING button
Airflow direction swing button.
- 11 TIMER MODE button
Pressed to select the timer mode. (OFF TIMER, ON TIMER, PROGRAM TIMER, TIMER RESET)
- 12 TIMER set (+ / -) button
Sets the current time and on-off time.
- 13 CLOCK ADJUST button
Sets the current time.
- 14 RESET button
Used when replacing batteries.
- 15 TEST RUN button
Used when testing the air conditioner after installation.

Display panel



- 16 Signal transmitter
- 17 Temperature set indicator
- 18 Operating mode indicator
- 19 Sleep indicator
- 20 Transmit indicator
- 21 Fan speed indicator
- 22 Swing indicator
- 23 Timer mode indicator
- 24 Clock indicator

NOTE: Functions will be different due to type of indoor unit.
For details, refer to the operation manual.

SPECIFICATION

SIZE	(H × W × D mm)	170 × 56 × 19
WEIGHT	(g)	85 (w/o batteries)
ACCESSORY		Holder

3. SPECIFICATIONS

Type				WALL MOUNTED			
				INVERTER HEAT PUMP			
Model name		AS *G18L FCA		AS *G24L FCC	AS *G30L FCA		
Power source				230 V~ 50 Hz			
Available voltage range				198-264V			
Capacity	Cooling	Rated	kW	5.20	7.10	8.00	
			Btu/h	17,700	24,200	27,300	
		Min.-Max.	kW	0.9-6.0	0.9-8.0	2.9-9.0	
	Heating	Rated	kW	6.30	8.00	8.80	
			Btu/h	21,500	27,300	30,000	
		Min.-Max.	kW	0.9-9.1	0.9-10.6	2.2-11.0	
				Btu/h	3,100-31,000	3,100-36,200	7,500-37,600
Input power	Cooling	Rated	kW	1.52	2.20	2.49	
		Min.-Max.		0.09-2.07	0.30-3.07	0.58-3.87	
	Heating	Rated		1.71	2.21	2.44	
	Min.-Max.	0.09-2.87		0.28-4.21	0.50-4.33		
Current	Cooling	Rated	A	6.8	9.7	10.9	
	Heating			7.6	9.7	10.7	
EER	Cooling		kW/kW	3.42	3.23	3.21	
COP	Heating			3.68	3.61	3.61	
Sensible capacity		Cooling		kW	3.45	5.25	6.00
Power factor	Cooling		%	97	99	99	
	Heating			98	99	99	
Moisture removal			l/h (pints/h)	2.6(4.6)	2.7(4.8)	3.2(5.6)	
Maximum operating current *	Cooling	Max.	A	9.0	13.5	17.0	
	Heating			12.5	18.5	19.0	
Fan	Airflow rate	Cooling	High	900	1120	1100	
			Med	740	900	900	
			Low	620	740	740	
		Heating	Quiet	550	580	620	
			High	900	1120	1150	
			Med	740	900	900	
		Low	620	740	740		
		Quiet	550	580	620		
	Type x Q'ty			Cross flow fan x 1			
	Motor output			W	42	65	42
Sound pressure level	Cooling		dB (A)	High	43	49	48
				Med	37	42	42
				Low	33	37	37
				Quiet	26	32	33
	Heating			High	42	48	49
				Med	37	42	42
				Low	33	37	37
				Quiet	25	32	33
Heat exchanger type	Dimensions (H x W x D)		mm	Main : 378 x 832 x 26.6 Sub : 84 x 382 x 13.3			
	Fin pitch			Main : 1.2, Sub : 1.4			
	Rows x stages		Main : 2 x 18, Sub : 1 x 4				
	Pipe type		Copper				
	Fin type		Aluminium				
Enclosure	Material			Polystyrene			
	Colour			White			
Dimensions (H x W x D)	Net		mm	320 x 998 x 238			
	Gross			329 x 1090 x 420			
Weight	Net		kg	14			
	Gross			18			
Connection pipe	Size	Liquid	mm	Ø 6.35 (Ø 1/4 in.)	Ø 6.35 (Ø 1/4 in.)	Ø 9.52 (Ø 3/8 in.)	
		Gas		Ø 12.70 (Ø 1/2 in.)	Ø 15.88 (Ø 5/8 in.)	Ø 15.88 (Ø 5/8 in.)	
		Method		Flare			
Operation range	Cooling	°C	18 to 32				
		%RH	80 or less				
		Heating	°C	30 or less			
Remote controller type				Wireless			
Drain hose	Material			PVC			
	Size			Ø 12 (I.D.), Ø 16 (O.D.)			

NOTES:

- Specifications are based on the following conditions:

Cooling : Indoor temperature of 27 °CDB/19 °CWB and outdoor temperature of 35 °CDB/24 °CWB

Heating : Indoor temperature of 20 °CDB/15 °CWB and outdoor temperature of 7 °CDB/6 °CWB

Pipe length : 5 m, Height difference : 0 m (Outdoor unit-Indoor unit)

- The protective function might work when using it in environment out of the temperature range mentioned above.

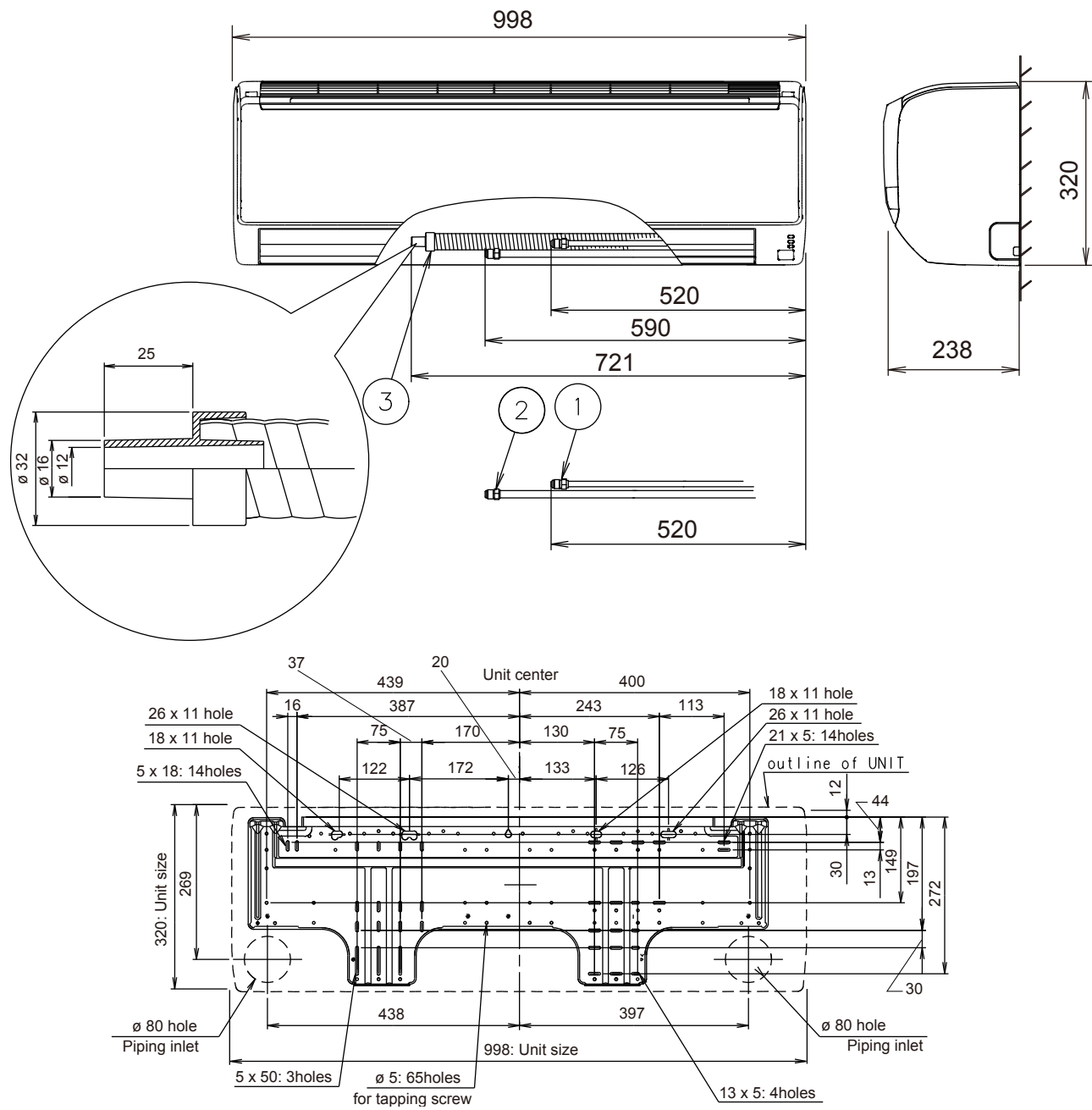
* : The maximum current is the maximum value when operated within the operation range.

Model name				AS*G18LFC(A)	AS*G24LFC(C)	AS*G30LFC(A)
Energy efficiency class	Cooling			A++	A++	A+
	Heating (Average)			A	A	A
Pdesign	Cooling	kW	5.2 (35 °C)	7.1 (35 °C)	8.0 (35 °C)	
	Heating (Average)		5.9 (-10 °C)	7.1 (-10 °C)	8.0 (-10 °C)	
SEER	Cooling	kWh/kWh	6.94	6.11	5.69	
SCOP	Heating (Average)		3.87	3.80	3.80	
Annual energy consumption	QCE		262	406	492	
	QHE (Average)		2130	2610	2941	
Sound power level	Cooling	High	dB (A)	58	64	64
	Heating			58	64	64

4. DIMENSIONS

■ MODEL: AS*G18LFCA, AS*G24LFCC, AS*G30LFCA

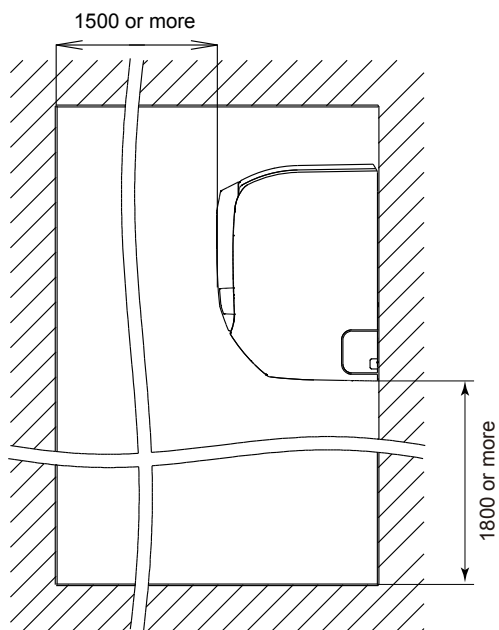
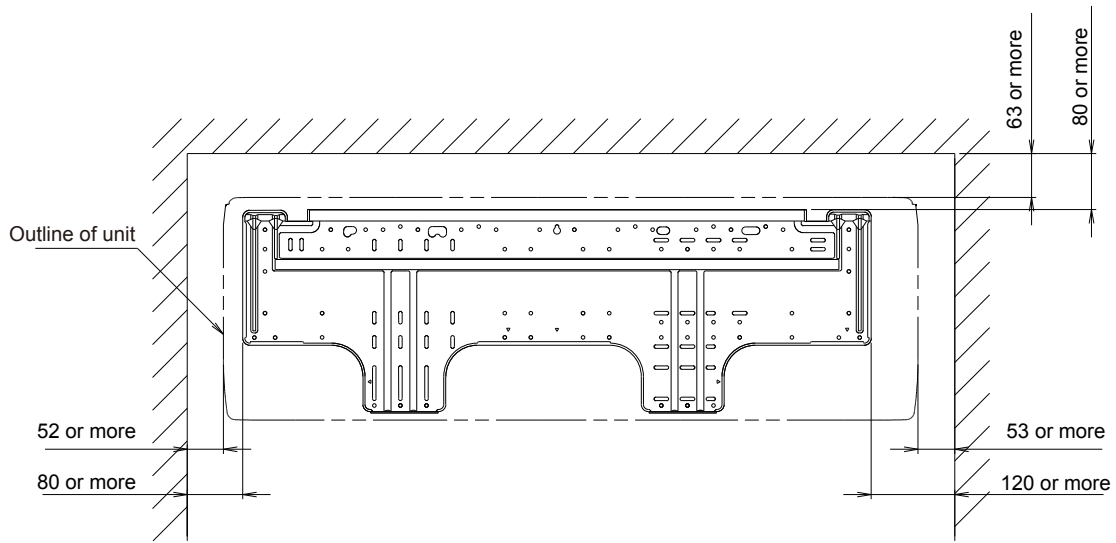
(Unit : mm)



		AS*G18LF	AS*G24LF	AS*G30LF
①	Refrigerant pipe flare connection	Liquid	$\varnothing 6.35$ mm (1/4 in.)	
②		Gas	$\varnothing 12.7$ mm (1/2 in.)	$\varnothing 15.88$ mm (5/8 in.)
③	Drain hose connection	Drain hose	$\varnothing 12$ (I.D.), $\varnothing 16$ (O.D.) Drain hose : L=670 mm	

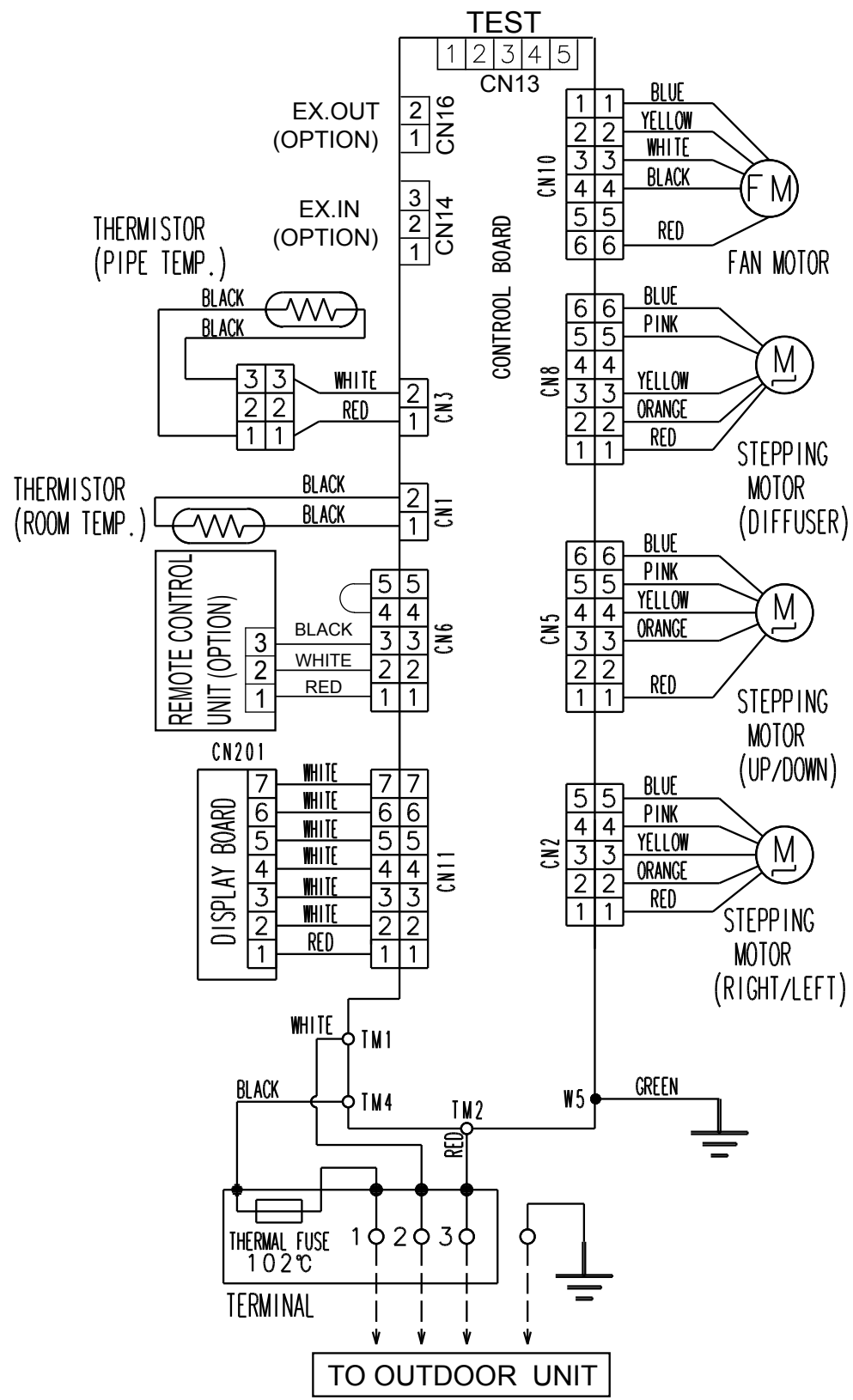
■ INSTALLATION PLACE

(Unit : mm)



5. WIRING DIAGRAMS

■ MODEL: AS*G18LFCA, AS*G24LFCC, AS*G30LFCA



6. CAPACITY TABLE

6-1. COOLING CAPACITY

MODEL: AS*G18LFCA

AFR	15.0
-----	------

		Indoor temperature																							
		18			21			23			25			27			29			32					
		12			15			16			18			19			21			23					
Outdoor temperature	°CDB	TC	SHC	IP	TC	SHC	IP	TC	SHC	IP	TC	SHC	IP	TC	SHC	IP	TC	SHC	IP	TC	SHC	IP			
	20	4.62	3.14	1.03	5.15	3.15	1.05	5.33	3.43	1.05	5.68	3.44	1.06	5.85	3.71	1.07	6.20	3.70	1.08	6.56	3.94	1.09			
	25	4.63	3.14	1.17	5.16	3.16	1.19	5.34	3.43	1.20	5.69	3.45	1.21	5.86	3.72	1.22	6.21	3.71	1.23	6.57	3.95	1.24			
	30	4.38	2.97	1.32	4.88	2.99	1.34	5.04	3.25	1.35	5.38	3.26	1.36	5.54	3.52	1.37	5.87	3.50	1.38	6.21	3.73	1.39			
	35	4.11	2.91	1.47	4.58	2.93	1.49	4.73	3.18	1.50	5.04	3.19	1.51	5.20	3.45	1.52	5.51	3.44	1.54	5.82	3.66	1.55			
	40	3.56	2.41	1.35	3.96	2.43	1.38	4.10	2.64	1.38	4.37	2.65	1.40	4.50	2.86	1.40	4.78	2.85	1.42	5.05	3.03	1.43			
	46	3.08	2.09	1.65	3.43	2.10	1.68	3.55	2.28	1.68	3.78	2.29	1.70	3.90	2.48	1.71	4.13	2.47	1.73	4.37	2.63	1.74			

MODEL: AS*G24LFCC

AFR	18.7
-----	------

		Indoor temperature																							
		18			21			23			25			27			29			32					
		12			15			16			18			19			21			23					
Outdoor temperature	°CDB	TC	SHC	IP	TC	SHC	IP	TC	SHC	IP	TC	SHC	IP	TC	SHC	IP	TC	SHC	IP	TC	SHC	IP			
	20	5.72	4.53	1.17	6.37	4.56	1.19	6.59	4.96	1.19	7.02	4.97	1.20	7.24	5.37	1.21	7.67	5.35	1.22	8.11	5.70	1.23			
	25	6.41	4.90	1.84	7.15	4.93	1.87	7.39	5.36	1.88	7.88	5.38	1.90	8.12	5.81	1.91	8.61	5.79	1.93	9.09	6.16	1.95			
	30	6.19	4.71	2.02	6.90	4.74	2.05	7.13	5.15	2.06	7.60	5.17	2.08	7.84	5.58	2.09	8.31	5.56	2.11	8.78	5.92	2.13			
	35	5.61	4.43	2.09	6.25	4.46	2.13	6.46	4.85	2.14	6.89	4.86	2.16	7.10	5.25	2.21	7.53	5.23	2.19	7.95	5.57	2.21			
	40	5.08	4.11	2.08	5.66	4.13	2.12	5.85	4.50	2.13	6.24	4.51	2.15	6.43	4.87	2.16	6.82	4.85	2.18	7.20	5.17	2.20			
	46	4.62	3.88	2.24	5.15	3.91	2.27	5.32	4.25	2.29	5.68	4.26	2.31	5.85	4.60	2.32	6.20	4.58	2.34	6.55	4.88	2.37			

MODEL: AS*G30LFCA

AFR	18.3
-----	------

		Indoor temperature																							
		18			21			23			25			27			29			32					
		12			15			16			18			19			21			23					
Outdoor temperature	°CDB	TC	SHC	IP	TC	SHC	IP	TC	SHC	IP	TC	SHC	IP	TC	SHC	IP	TC	SHC	IP	TC	SHC	IP			
	20	6.31	5.01	1.29	7.03	5.04	1.31	7.27	5.48	1.32	7.75	5.50	1.33	7.99	5.94	1.34	8.47	5.92	1.35	8.95	6.30	1.37			
	25	6.99	5.45	2.03	7.79	5.48	2.06	8.05	5.96	2.07	8.58	5.98	2.09	8.85	6.46	2.10	9.38	6.43	2.12	9.91	6.85	2.14			
	30	6.66	5.23	2.26	7.42	5.26	2.29	7.67	5.72	2.30	8.18	5.74	2.33	8.43	6.20	2.34	8.94	6.18	2.36	9.44	6.58	2.39			
	35	6.32	5.06	2.40	7.04	5.09	2.44	7.28	5.54	2.45	7.76	5.56	2.48	8.00	6.00	2.49	8.48	5.98	2.51	8.96	6.37	2.54			
	40	5.68	4.63	2.68	6.33	4.66	2.72	6.54	5.07	2.74	6.97	5.08	2.77	7.19	5.49	2.78	7.62	5.47	2.81	8.05	5.82	2.84			
	46	5.17	4.22	2.89	5.76	4.25	2.93	5.96	4.62	2.95	6.35	4.63	2.98	6.55	5.00	2.99	6.94	4.98	3.02	7.34	5.31	3.05			

AFR : Airflow Rate (m³/min)
 TC : Total Capacity (kW)
 SHC : Sensible Heat Capacity (kW)
 IP : Input Power (kW)

6-2. HEATING CAPACITY

■ MODEL: AS*G18LFCA

AFR	15.0
-----	------

			Indoor temperature									
			16		18		20		22		24	
Outdoor temperature	(°CDB)	(°CWB)	TC	IP	TC	IP	TC	IP	TC	IP	TC	IP
	-15	-16	5.08	2.19	4.96	2.24	4.84	2.30	4.72	2.33	4.60	2.37
	-10	-11	6.04	2.36	5.89	2.42	5.75	2.47	5.61	2.52	5.47	2.57
	-5	-7	6.81	2.48	6.64	2.54	6.48	2.59	6.32	2.64	6.16	2.69
	0	-2	7.86	2.65	7.67	2.72	7.48	2.77	7.29	2.83	7.11	2.89
	5	3	8.94	2.83	8.72	2.90	8.51	2.96	8.30	3.01	8.09	3.08
	7	6	9.56	2.75	9.33	2.82	9.10	2.87	8.87	2.92	8.65	2.99
	10	8	9.91	2.75	9.66	2.82	9.43	2.87	9.19	2.92	8.97	2.99
	15	10	9.59	2.38	9.36	2.44	9.13	2.49	8.90	2.54	8.68	2.59

■ MODEL: AS*G24LFCC

AFR	18.7
-----	------

			Indoor temperature									
			16		18		20		22		24	
Outdoor temperature	(°CDB)	(°CWB)	TC	IP	TC	IP	TC	IP	TC	IP	TC	IP
	-15	-16	6.41	2.81	6.26	2.87	6.11	2.93	5.95	2.99	5.80	3.05
	-10	-11	7.30	3.00	7.13	3.06	6.96	3.12	6.78	3.18	6.61	3.25
	-5	-7	8.23	3.23	8.04	3.29	7.84	3.36	7.64	3.43	7.45	3.49
	0	-2	9.05	3.50	8.84	3.58	8.62	3.65	8.40	3.72	8.19	3.80
	5	3	10.05	3.82	9.81	3.90	9.57	3.98	9.33	4.06	9.09	4.14
	7	6	11.13	3.89	10.87	3.97	10.60	4.06	10.34	4.14	10.07	4.22
	10	8	11.19	3.38	10.93	3.45	10.66	3.52	10.39	3.59	10.13	3.66
	15	10	10.71	2.90	10.46	2.96	10.20	3.02	9.95	3.08	9.69	3.13

■ MODEL: AS*G30LFCA

AFR	19.2
-----	------

			Indoor temperature									
			16		18		20		22		24	
Outdoor temperature	(°CDB)	(°CWB)	TC	IP	TC	IP	TC	IP	TC	IP	TC	IP
	-15	-16	7.75	4.07	7.56	4.16	7.38	4.24	7.20	4.32	7.01	4.41
	-10	-11	8.34	4.06	8.14	4.15	7.94	4.23	7.74	4.31	7.54	4.40
	-5	-7	9.61	4.08	9.38	4.17	9.15	4.25	8.92	4.34	8.69	4.42
	0	-2	10.54	4.04	10.29	4.13	10.04	4.21	9.79	4.29	9.54	4.38
	5	3	11.53	4.09	11.25	4.17	10.98	4.26	10.71	4.35	10.43	4.43
	7	6	11.55	3.39	11.28	3.46	11.00	3.53	10.73	3.60	10.45	3.67
	10	8	11.90	3.38	11.61	3.45	11.33	3.52	11.05	3.59	10.76	3.66
	15	10	11.48	2.95	11.20	3.01	10.93	3.07	10.66	3.13	10.38	3.19

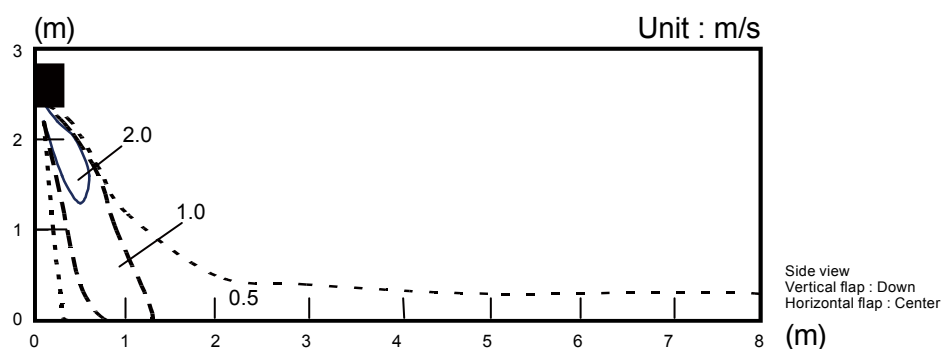
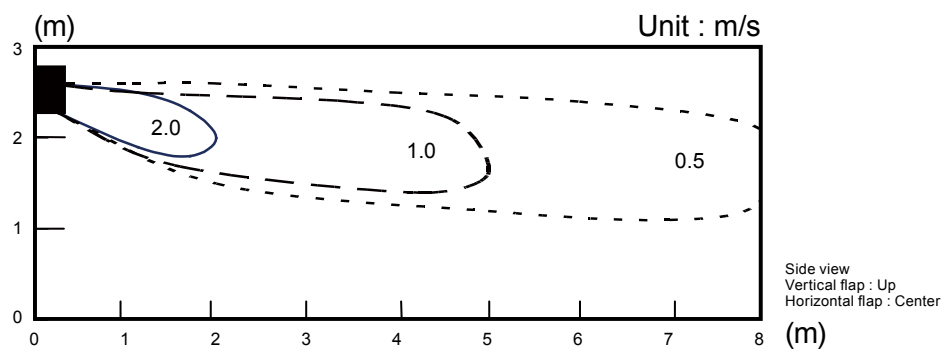
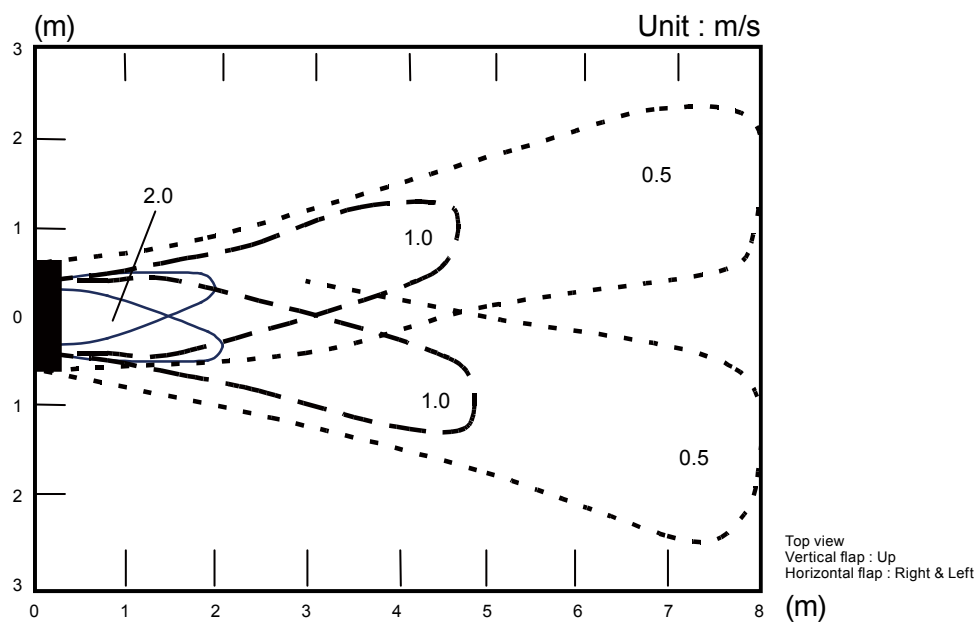
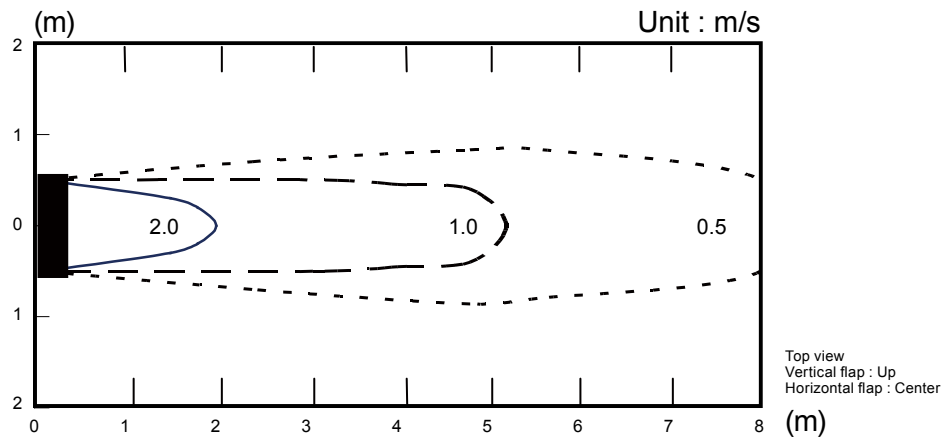
AFR: Airflow Rate (m³/min)
 TC : Total Capacity (kW)
 IP : Input Power (kW)

7. FAN PERFORMANCE

7-1. AIR VELOCITY DISTRIBUTION

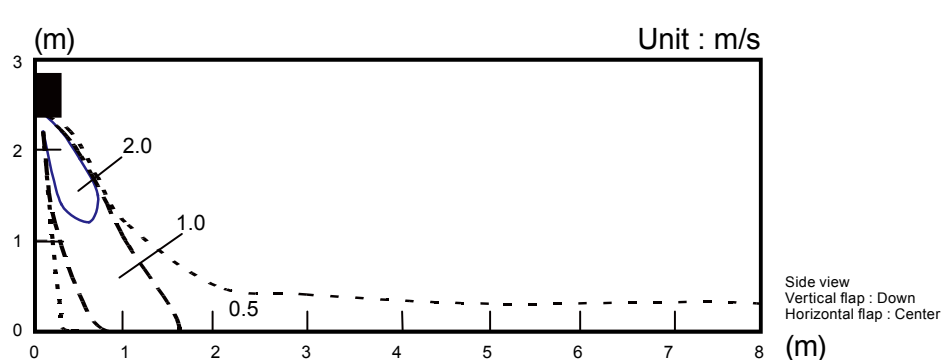
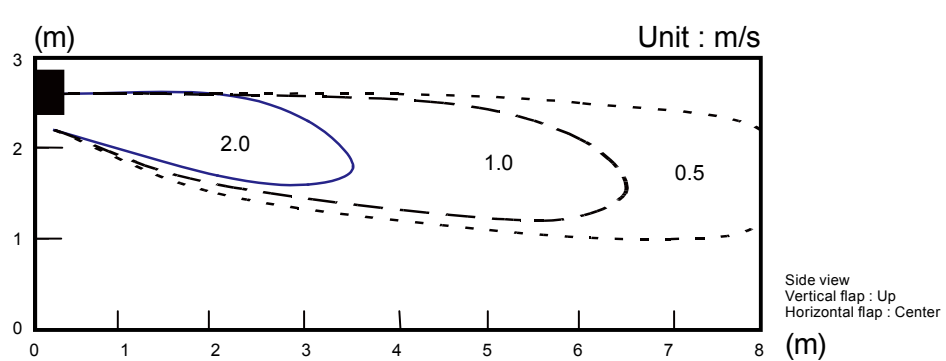
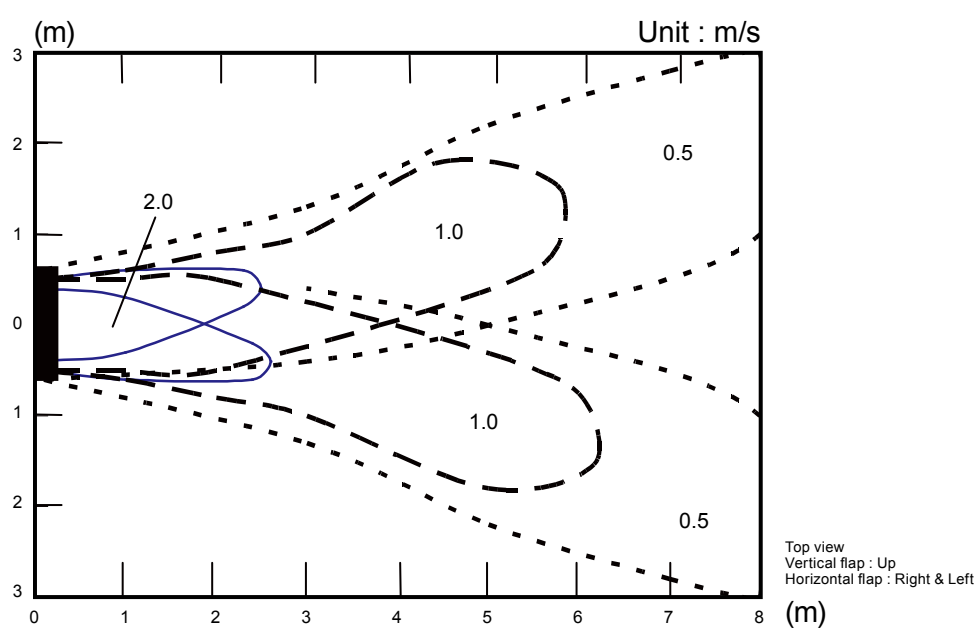
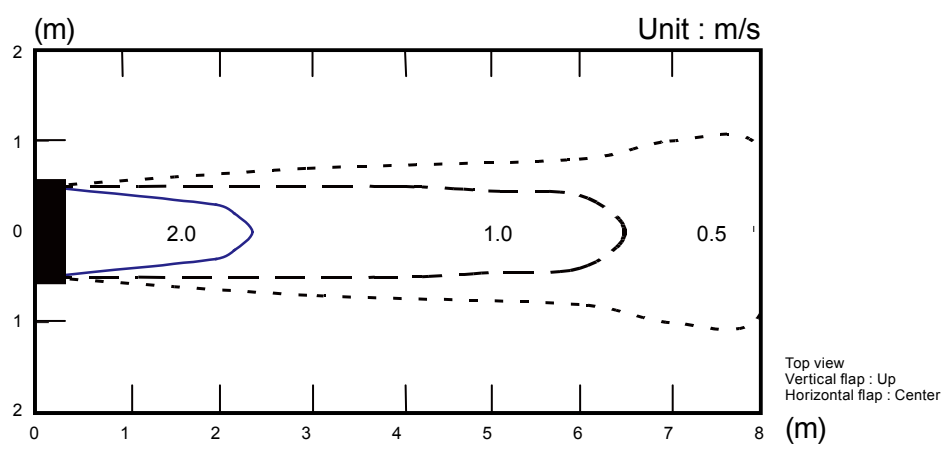
Conditions:
 Fan speed : HIGH
 Operation mode : FAN
 Voltage : 230 V

■ MODEL : AS*G18LFCA



Conditions:
Fan speed : HIGH
Operation mode : FAN
Voltage : 230 V

MODEL : AS*G24LFCC, AS*G30LFCA



7-2. AIRFLOW

■ MODEL: AS*G18LFCA

● Cooling

Fan speed	Number of rotations (r.p.m.)	Airflow	
		m ³ /h	l/s
HIGH	1220	900	250
		530	153
		CFM	324
MED	1020	740	206
		435	125
		CFM	172
LOW	900	620	172
		365	104
		CFM	72
QUIET	710	550	153
		324	92
		CFM	48

● Heating

Fan speed	Number of rotations (r.p.m.)	Airflow	
		m ³ /h	l/s
HIGH	1220	900	250
		530	153
		CFM	324
MED	1020	740	206
		435	125
		CFM	172
LOW	900	620	172
		365	104
		CFM	72
QUIET	710	550	153
		324	92
		CFM	48

■ MODEL: AS*G24LFC

● Cooling

Fan speed	Number of rotations (r.p.m.)	Airflow	
		m ³ /h	l/s
HIGH	1480	1120	311
		659	187
		CFM	659
MED	1220	900	250
		530	150
		CFM	530
LOW	1020	740	206
		435	123
		CFM	435
QUIET	860	580	161
		341	97
		CFM	341

● Heating

Fan speed	Number of rotations (r.p.m.)	Airflow	
		m ³ /h	l/s
HIGH	1480	1120	311
		659	187
		CFM	659
MED	1220	900	250
		530	150
		CFM	530
LOW	1020	740	206
		435	123
		CFM	435
QUIET	860	580	161
		341	97
		CFM	341

■ MODEL: AS*G30LFCA

● Cooling

Fan speed	Number of rotations (r.p.m.)	Airflow	
		m ³ /h	l/s
HIGH	1430	1100	306
		647	182
		CFM	647
MED	1220	900	250
		530	150
		CFM	530
LOW	1020	740	206
		435	122
		CFM	435
QUIET	900	620	172
		365	103
		CFM	365

● Heating

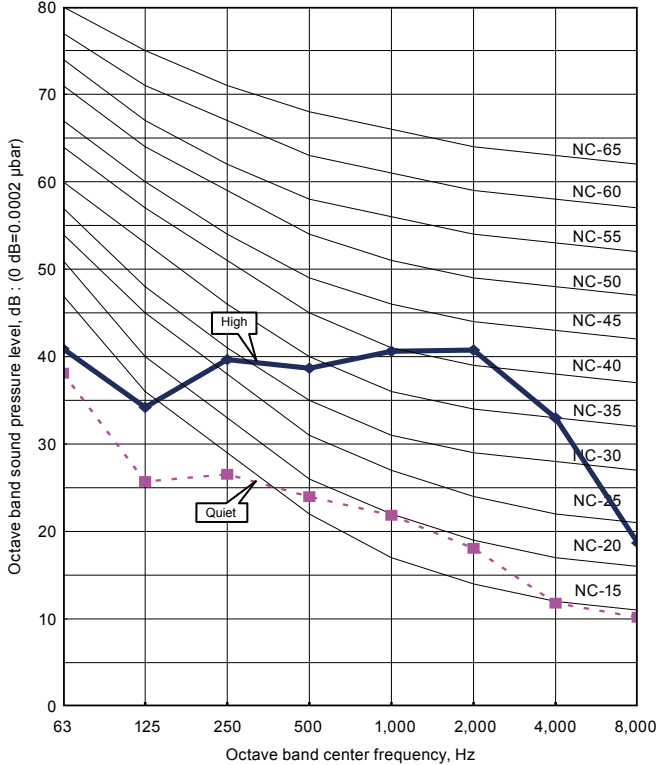
Fan speed	Number of rotations (r.p.m.)	Airflow	
		m ³ /h	l/s
HIGH	1530	1150	319
		677	188
		CFM	677
MED	1220	900	250
		530	150
		CFM	530
LOW	1020	740	206
		435	122
		CFM	435
QUIET	900	620	172
		365	103
		CFM	365

8. OPERATION NOISE (SOUND PRESSURE)

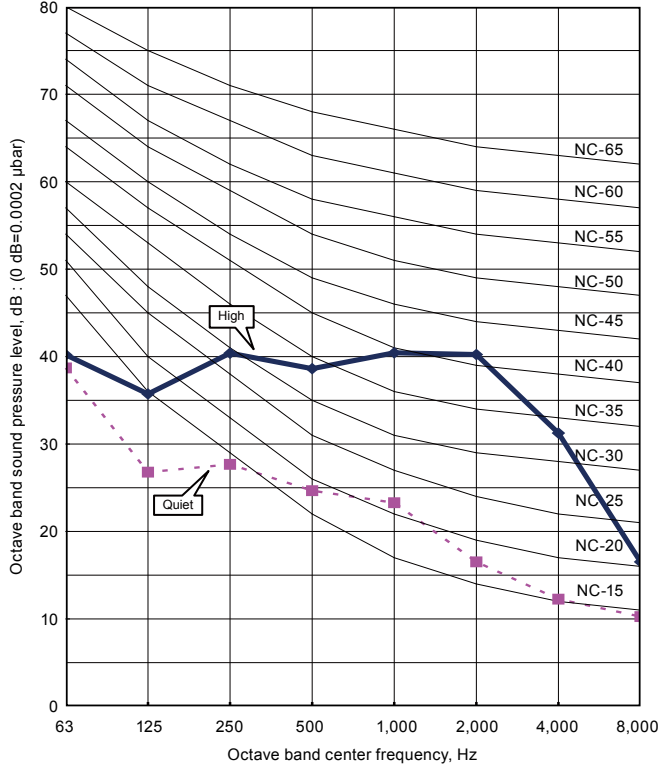
8-1. NOISE LEVEL CURVE

MODEL: AS*G18LFC(A)

● Cooling

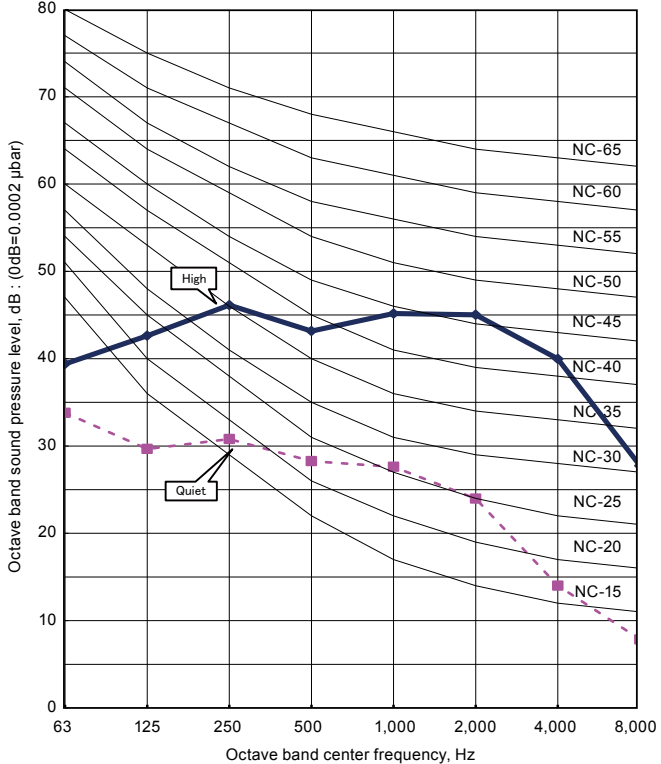


● Heating

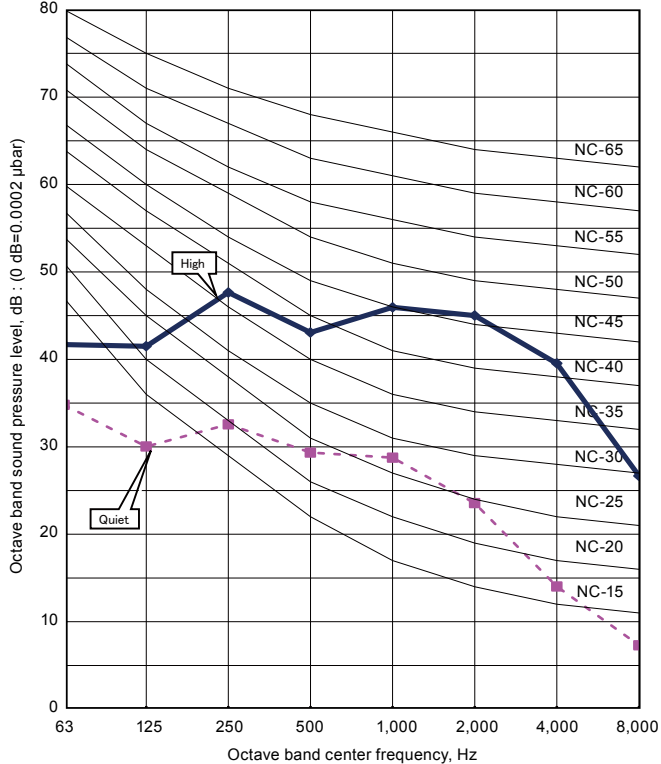


MODEL: AS*G24LFC(C)

● Cooling

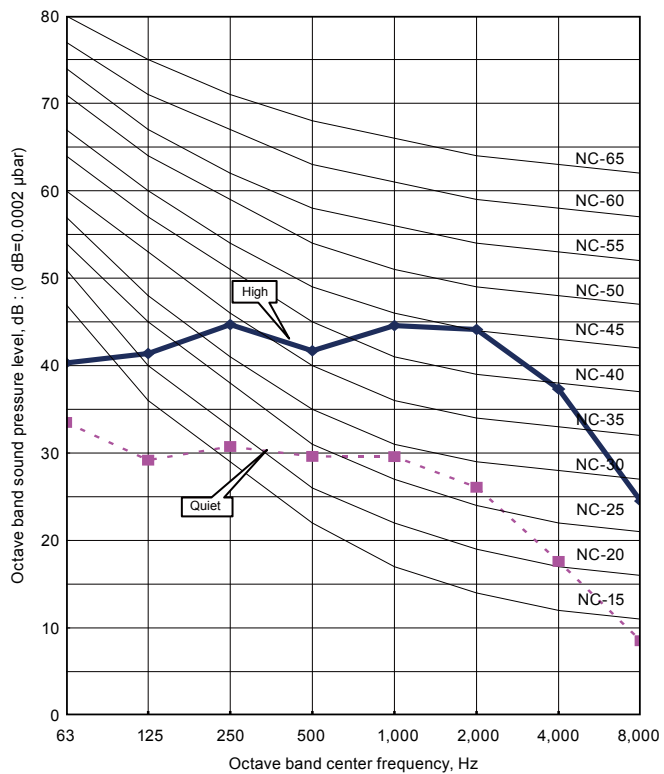


● Heating

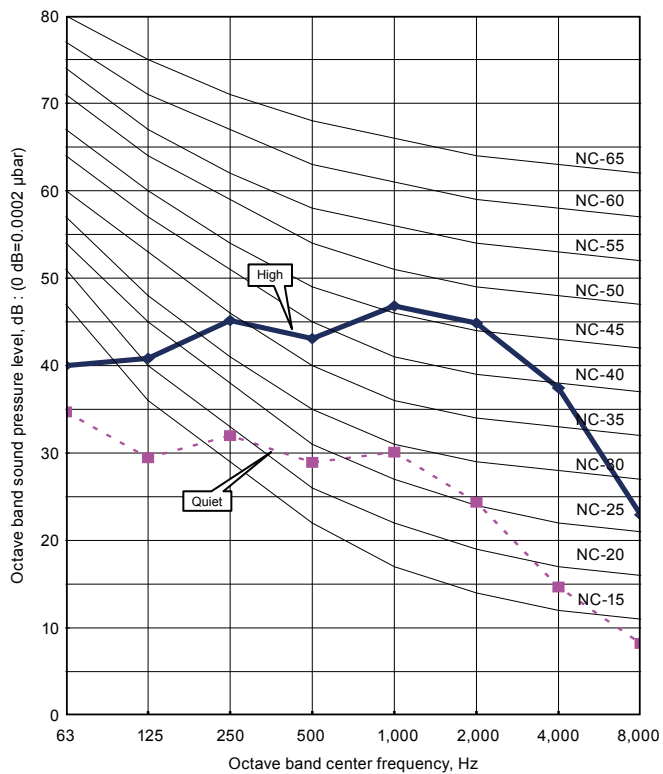


MODEL: AS*G30LFC(A)

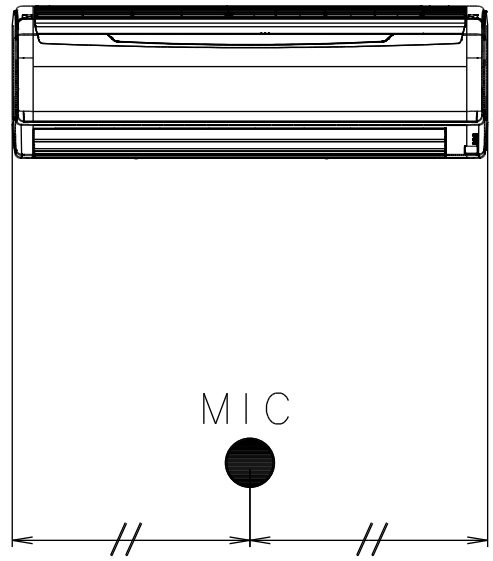
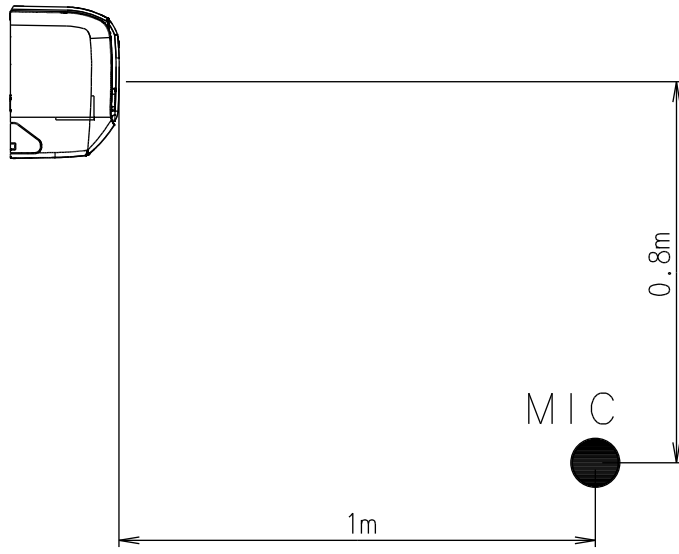
● Cooling



● Heating



8-2. SOUND LEVEL CHECK POINT



9. ELECTRIC CHARACTERISTICS

Model name			AS*G18LFCA	AS*G24LFCC	AS*G30LFCA
Power supply	Voltage	V	230 ~		
	Frequency	Hz	50		
Max. operating current		A	0.3		
Wiring Spec. *1	Connection cable	mm ²	1.5-2.5		
	Limited wiring length	m	26	31	51

*1: Selected sample based on Japan Electrotechnical Standards and Codes Committee E0005.

10. SAFETY DEVICES

	Protection form	Model	
		AS*G18LFCA AS*G30LFCA	AS*G24LFCC
Circuit protection	Current fuse (PC board)	250 V 3.15 A	
Terminal protection	Current (thermal) fuse	250 V 3 A	
Fan motor protection	Thermal protector program	OFF : 150 ± 15 °C ON : 120 ± 15 °C	OFF : 120 ± 15 °C ON : 95 ± 10 °C

11. EXTERNAL INPUT & OUTPUT

Connector	INPUT	OUTPUT	REMARKS
CN14	Control input	-	See external input/output settings for details.
CN16	-	Operation status output	

11-1. EXTERNAL INPUT

■ CONTROL INPUT (Operation/Stop or Forced stop)

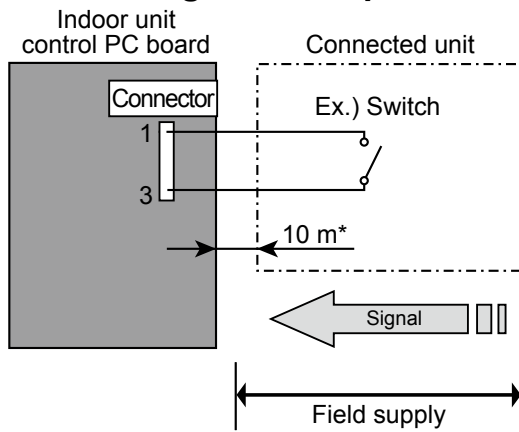
The air conditioner can be remotely operated by means of the following on-site work.

"Operation/Stop" mode or "Forced stop" mode can be selected with function setting of indoor unit.

Unit operation is started at the following contents by adding the contact input of a commercial ON/OFF switch to a connector on the external control PC board and turning it ON.

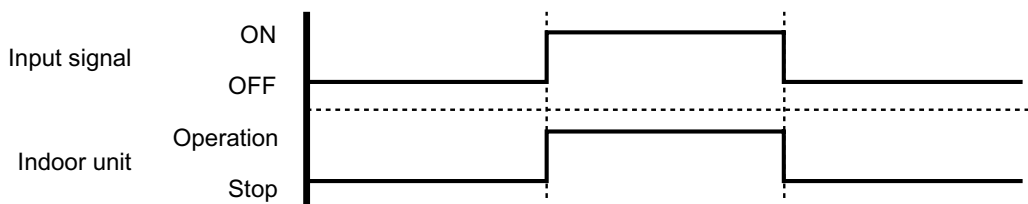
Unit operation	Initial setting after power is ON	Starting mode other than initial setting
Operation mode	Auto changeover	Mode at previous operation
Set temperature	24 °C	Temperature at previous operation
Airflow mode	AUTO	Mode at previous operation
Up-down air direction (swing)	Standard air direction (swing OFF)	Air direction at previous operation
Left-right air direction (swing)	Standard air direction (swing OFF)	Air direction at previous operation

● Circuit diagram example

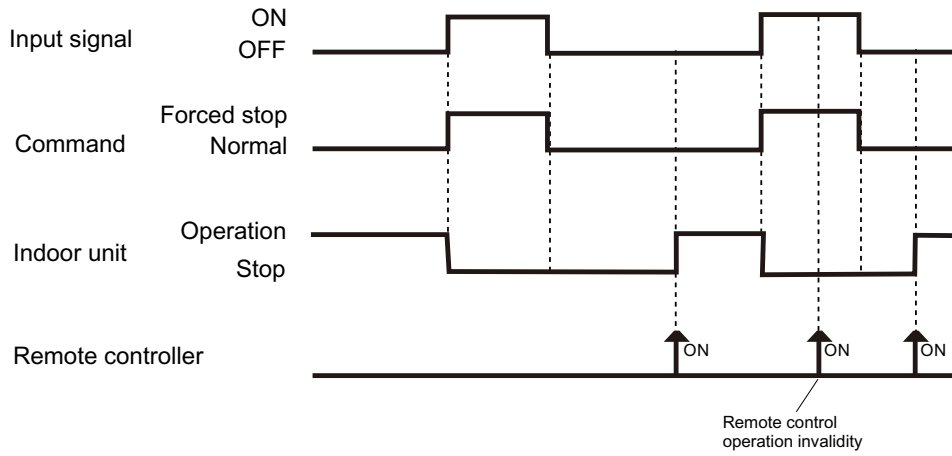


*: Make the distance from the PC board to the connected unit within 10 m.
Contact capacity : DC 24 V or more, 10 mA or more.
Use non-polar relays and switches.

● When function setting is in "Operation/Stop" mode

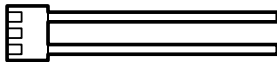


● When function setting is in "Forced stop" mode



● Parts (Optional)

Parts name	Model name
External connect kit	UTY-XWZX

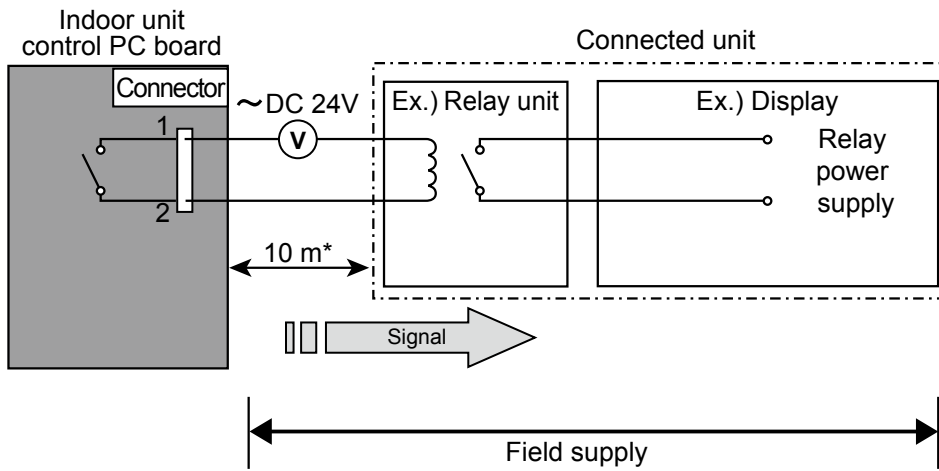


11-2. EXTERNAL OUTPUT

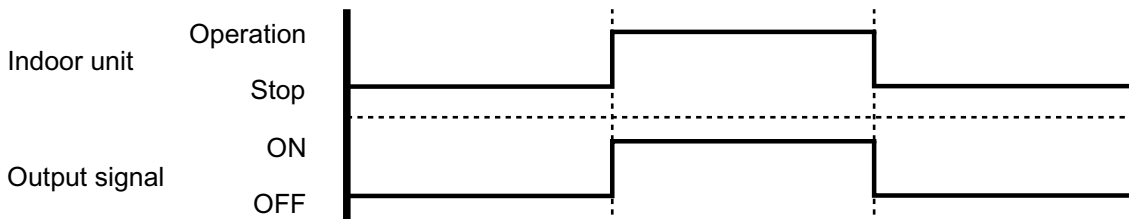
■ OPERATION STATUS OUTPUT

An air conditioner operation status signal can be output.

● Circuit diagram example

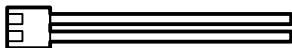


*: Make the distance from the PC board to the connected unit within 10 m.
Relay spec. : Max. DC 24 V, 10 mA to less than 500 mA.



● Parts (Optional)

Parts name	Model name
External connect kit	UTY-XWZX



12. FUNCTION SETTINGS

12-1. INDOOR UNIT (Setting by remote controller)

- The function settings of the control of the indoor unit can be changed by this procedure according to the installation conditions. Incorrect settings can cause the indoor unit to malfunction.
- After the power is turned on, perform the Function Setting according to the installation conditions using the remote controller.
- The settings may be selected between the following two: Function Number or Setting Value.
- Settings will not be changed if invalid numbers or setting values are selected.

■ FUNCTION SETTING METHOD (for Wireless remote controller)

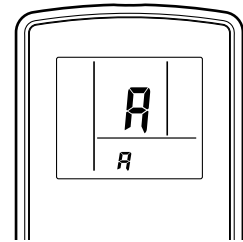
Entering the Function Setting Mode

- While pressing the FAN button and SET TEMP. (▲) simultaneously, press the RESET button to enter the function setting mode.

STEP 1

Setting the Remote controller Signal Code

Use the following steps to select the signal code of the remote controller. (Note that the air conditioner cannot receive a signal code if the air conditioner has not been set for the signal code.) The signal codes that are set through this process are applicable only to the signals in the Function Setting. For details on how to set the signal codes through the normal process, refer to REMOTE CONTROLLER SIGNAL CODE SETTING.



1. Press the SET TEMP. (▲) (▼) button to change the signal code between $A \rightarrow b \rightarrow c \rightarrow d$. Match the code on the display to the air conditioner signal code. (initially set to A)
(If the signal code does not need to be selected, press the MODE button and proceed to STEP 2.)
2. Press the TIMER MODE button and check that the indoor unit can receive signals at the displayed signal code.
3. Press the MODE button to accept the signal code, and proceed to STEP 2.

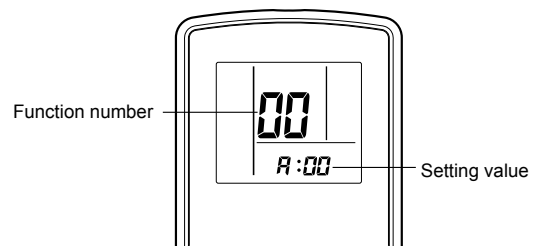
The air conditioner signal code is set to A prior to shipment.

The remote controller resets to signal code A when the batteries in the remote controller are replaced. If you use a signal code other than signal code A, reset the signal code after replacing the batteries. If you do not know the air conditioner signal code setting, try each of the signal codes ($A \rightarrow b \rightarrow c \rightarrow d$) until you find the code which operates the air conditioner.

STEP 2

Selecting the Function Number and Setting Value

1. Press the SET TEMP. (▲) (▼) buttons to select the function number.
(Press the MODE button to switch between the left and right digits.)
2. Press the FAN button to proceed to setting the value.
Press the FAN button again to return to the function number selection.)
3. Press the SET TEMP. (▲) (▼) buttons to select the setting value.
(Press the MODE button to switch between the left and right digits.)
4. Press the TIMER MODE button, and START/STOP button, in the order listed to confirm the settings.
5. Press the RESET button to cancel the function setting mode.
6. After completing the Function Setting, be sure to turn off the power and turn it on again.



⚠ CAUTION

After turning off the power, wait 30 seconds or more before turning it on again.
The Function Setting will not become active unless the power is turned off then on again.

FUNCTION DETAILS

- Follow the instructions in the Local Setup Procedure, which is supplied with the remote controller, in accordance with the installed condition.
After turning on the power, perform the Function Setting by using the remote controller.
- The settings may be selected between the following two: Function Number or Setting Value.
- Settings will not be changed if invalid numbers or setting values are selected.

1)	Filter sign
2)	Room temperature control for cooling
3)	Room temperature control for heating
4)	Auto restart
5)	Room temperature sensor switching
6)	Remote controller signal code
7)	External input control
8)	Indoor unit fan control for energy saving for cooling

1) Filter sign

Select appropriate intervals for displaying the filter sign on the indoor unit according to the estimated amount of dust in the air of the room.

If the indication is not required, select "No indication" (03).

(◆. . .Factory setting)

Setting Description	Function Number	Setting Value
Standard (400 hours)	11	00
Long interval (1,000 hours)		01
Short interval (200 hours)		02
◆ No indication		03

2) Room temperature control for cooling

Depending on the installed environment, correction of the room temperature sensor may be required. Select the appropriate control setting according to the installed environment.

(◆. . .Factory setting)

Setting Description	Function Number	Setting Value
◆ Standard	30	00
Slightly lower control		01
Lower control		02
Higher control		03

3) Room temperature control for heating

Depending on the installed environment, correction of the room temperature sensor may be required. Select the appropriate control setting according to the installed environment.

(◆. . .Factory setting)

Setting Description	Function Number	Setting Value
◆ Standard	31	00
Slightly lower control		01
Lower control		02
Higher control		03

4) Auto restart

Enable or disable automatic restart after a power interruption.

(◆ . . . Factory setting)

Setting Description	Function Number	Setting Value
◆ Enable	40	00
Disable		01

*Auto restart is an emergency function such as for power outage etc. Do not attempt to use this function in normal operation.

Be sure to operate the unit by remote controller or other external input device.

5) Room temperature sensor switching

(Only for wired remote controller)

When using the Wired remote controller temperature sensor, change the setting to "Both" (01).

(◆ . . . Factory setting)

Setting Description	Function Number	Setting Value
◆ Indoor unit	42	00
Both		01

00: Sensor on the indoor unit is active.

01: Sensors on both indoor unit and wired remote controller is active.

6) Remote controller signal code

(Only for wireless remote controller)

The indoor unit signal code can be changed. Select the appropriate signal code.

(◆ . . . Factory setting)

Setting Description	Function Number	Setting Value
◆ A	44	00
B		01
C		02
D		03

7) External input control

"Operation/Stop" mode or "Forced stop" mode can be selected.

(◆ . . . Factory setting)

Setting Description	Function Number	Setting Value
◆ Operation/Stop mode	46	00
(Setting prohibited)		01
Forced stop mode		02

8) Indoor unit fan control for energy saving for cooling

Enables or disables the power-saving function by controlling the indoor unit fan rotation when the outdoor unit is stopped during cooling operation.

(◆ . . . Factory setting)

Setting Description	Function Number	Setting Value
◆ Disable	49	00
Enable		01

00: When the outdoor unit is stopped, the indoor unit fan operates continuously following the setting on the remote controller.

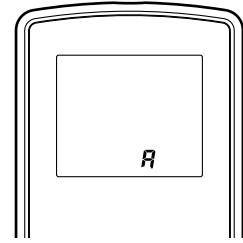
01: When the outdoor unit is stopped, the indoor unit fan operates intermittently at a very low speed.

■ REMOTE CONTROLLER SIGNAL CODE SETTING

Use the following steps to select the signal code of the remote controller.

(Note that the air conditioner cannot receive a signal code if the air conditioner has not been set for the signal code.)

1. Press the START/STOP button until only the clock is displayed on the remote controller display.
2. Press the MODE button for at least five seconds to display the current signal code (initially set to **A**).
3. Press the SET TEMP. (**▲**) (**▼**) button to change the signal code between **A** → **B** → **C** → **D**.
Match the code on the display to the air conditioner signal code.
4. Press the MODE button again to return to the clock display. The signal code will be changed.



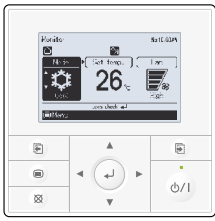
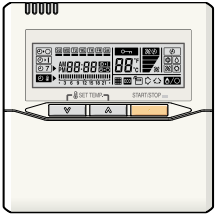

If no buttons are pressed within 30 seconds after the signal code is displayed, the system returns to the original clock display. In this case, start again from step 1.

The air conditioner signal code is set to A prior to shipment.
Contact your retailer to change the signal code.

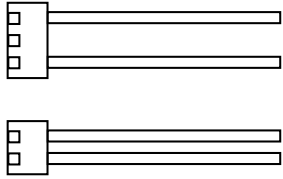
The remote controller resets to signal code A when the batteries in the remote controller are replaced. If you use a signal code other than signal code A, reset the signal code after replacing the batteries. If you do not know the air conditioner signal code setting, try each of the signal codes (**A** → **B** → **C** → **D**) until you find the code which operates the air conditioner.

13. OPTIONAL PARTS

13-1. CONTROLLERS

Exterior	Parts name	Model No.	Summary
	Wired remote controller	UTY-RVN*M	Large and full-dot liquid crystal screen, wide and large keys easy to press, user-intuitive arrow key.
	Wired remote controller	UTY-RNN*M	The room temperature can be controlled by detecting the temperature accurately with built-in thermo sensor.
	Simple remote controller	UTY-RSN*M	Compact remote controller concentrates on the basic functions such as Start/Stop, Fan Control, Temperature Setting and Operation mode.

13-2. OTHERS

Exterior	Parts name	Model No.	Summary
	External connect kit	UTY-XWZX	Use to connect with various peripheral devices and air conditioner PC board.

2. OUTDOOR UNIT

SINGLE TYPE :

AO*G18LFC

AO*G24LFCC

AO*G30LFT

CONTENTS

2. OUTDOOR UNIT

1. SPECIFICATIONS.....	02 - 01
2. DIMENSIONS	02 - 02
3. REFRIGERANT CIRCUIT	02 - 04
4. WIRING DIAGRAMS.....	02 - 07
5. CAPACITY COMPENSATION RATE FOR PIPE LENGTH AND HEIGHT DIFFERENCE	02 - 10
6. ADDITIONAL CHARGE CALCULATION.....	02 - 13
7. AIRFLOW	02 - 14
8. OPERATION NOISE (SOUND PRESSURE).....	02 - 16
8-1. NOISE LEVEL CURVE	02 - 16
8-2. SOUND LEVEL CHECK POINT	02 - 18
9. ELECTRICAL CHARACTERISTICS	02 - 19
10. SAFETY DEVICES	02 - 20

1. SPECIFICATIONS

OUTDOOR UNIT
AO*G18-30LF

OUTDOOR UNIT
AO*G18-30LF

Type				INVERTER HEAT PUMP				
Model name				AO*G18LFC	AO*G24LFCC	AO*G30LFT		
Power source				230 V~ 50 Hz				
Available voltage range				198-264 V				
Starting current			A	7.6	9.7	10.9		
Fan	Airflow rate	Cooling	m ³ /h	2,150	2,460	3,600		
		Heating		2,070	2,340	3,600		
	Type × Q'ty			Propeller fan × 1				
	Motor output			W	49	49	100	
Sound pressure level	Cooling		dB(A)	50	55	53		
	Heating			51	56	55		
Sound power level	Cooling		dB(A)	65	68	68		
	Heating			66	69	71		
Heat exchanger type	Dimensions (H × W × D)		mm	588 × 881 × 36.4	Main : 588 × 881 × 36.4 Sub : 546 × 580 × 18.2	798 × 900 × 36.4		
	Fin pitch			1.3	1.45	1.3		
	Rows × Stages			2 × 28	Main : 2 × 28, Sub : 1 × 26	2 × 38		
	Pipe type				Copper			
	Fin	Type (Material)			Corrugate (Aluminium)			
Surface treatment			Corrosion resistance		Corrosion resistance (Blue fin)			
Compressor	Type × Q'ty			Rotary × 1				
	Motor output			W	900	1,100	2,100	
Refrigerant	Type (Global Warming Potential)			R410A (1975)				
	Charge			g	1,200	1,800	2,100	
Refrigerant oil		Type		FREOLα68SZ	POE (RB68)			
Enclosure	Material			Steel				
	Colour			Beige				
				Approximate colour of MUNSSELL 10YR7.5/1.0				
Dimensions (H × W × D)	Net		mm	620 × 790 × 290		830 × 900 × 330		
	Gross			713 × 945 × 395		970 × 1050 × 445		
Weight	Net		kg	41		61		
	Gross			45		68		
Connection pipe	Size	Liquid	mm	Ø 6.35 (Ø 1/4 in.)		Ø 9.52 (Ø 3/8 in.)		
		Gas		Ø 12.7 (Ø 1/2 in.)	Ø 15.88 (Ø 5/8 in.)			
	Method			Flare				
	Pre-charge length			m	15	15	20	
	Max. length			25	30	50		
Max. height difference			20	20	30			
Operation range	Cooling		°C	-10 to 46				
	Heating			-15 to 24				

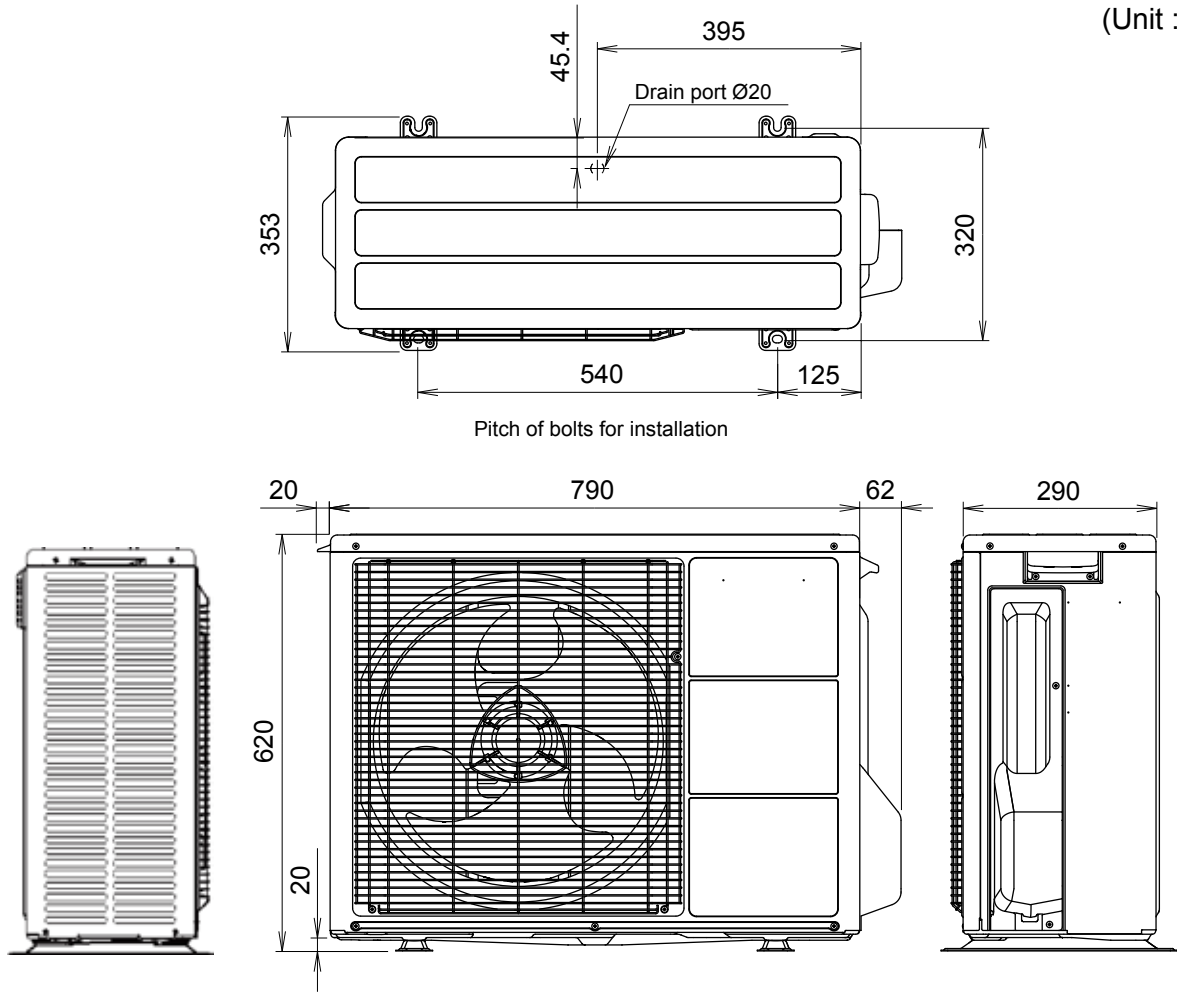
NOTES :

- Specifications are based on the following conditions:
 Cooling : Indoor temperature of 27 °CDB / 19 °CWB and outdoor temperature of 35 °CDB / 24 °CWB
 Heating : Indoor temperature of 20 °CDB / 15 °CWB and outdoor temperature of 7 °CDB / 6 °CWB
 Pipe length : 5 m, Height difference : 0 m (Outdoor unit–Indoor unit)
- The protective function might work when using it in environment out of the temperature range mentioned above.

2. DIMENSIONS

MODEL: AO*G18LFC, AO*G24LFCC

(Unit : mm)

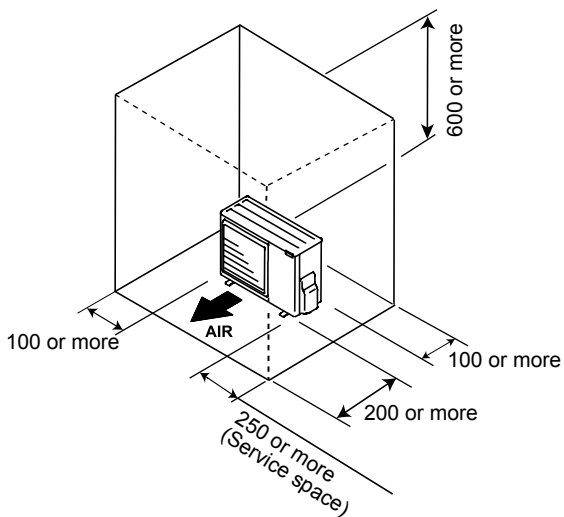


OUTDOOR UNIT
AO*G18-30LF

OUTDOOR UNIT
AO*G18-30LF

INSTALLATION PLACE

(Unit : mm)



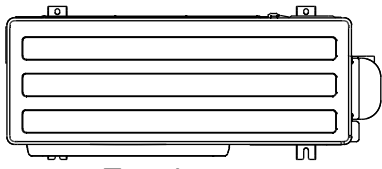
If the space is larger than stated, the condition will be the same as those without any obstacles.

MODEL: AO*G30LFT

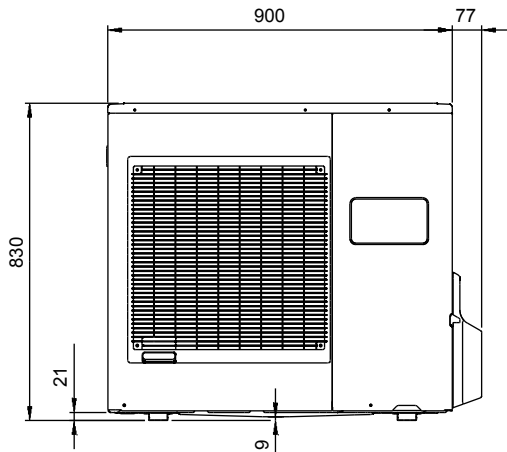
(Unit : mm)

OUTDOOR UNIT
AO*G18-30LF

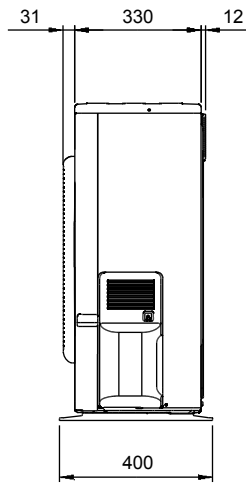
OUTDOOR UNIT
AO*G18-30LF



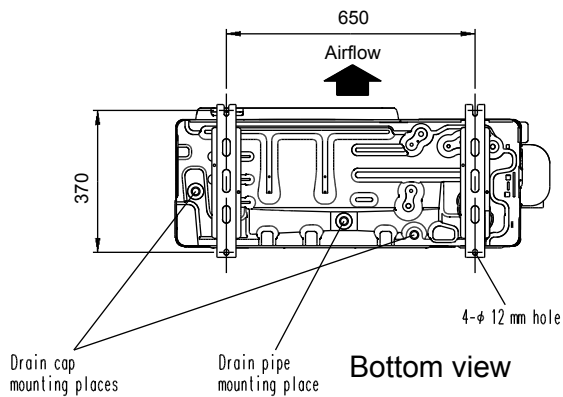
Top view



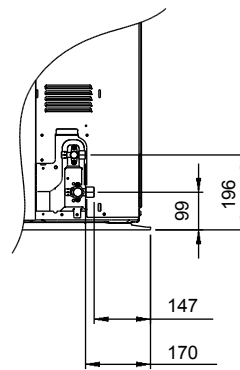
Front view



Side view

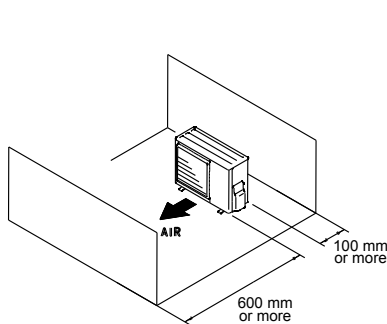


Bottom view

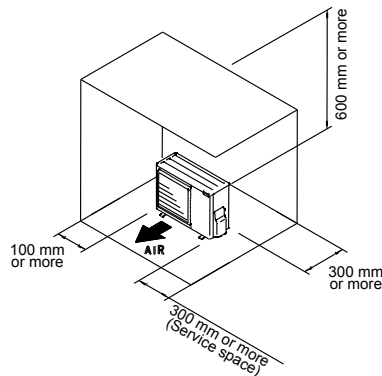


INSTALLATION PLACE

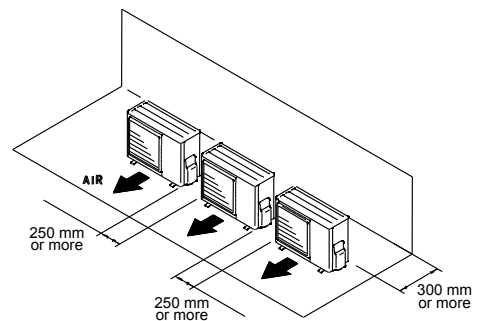
When there are obstacles at the back or front sides.



When there are obstacles at the back, side(s), and top.



When there are obstacles at the back, side with the installation of more than one unit.

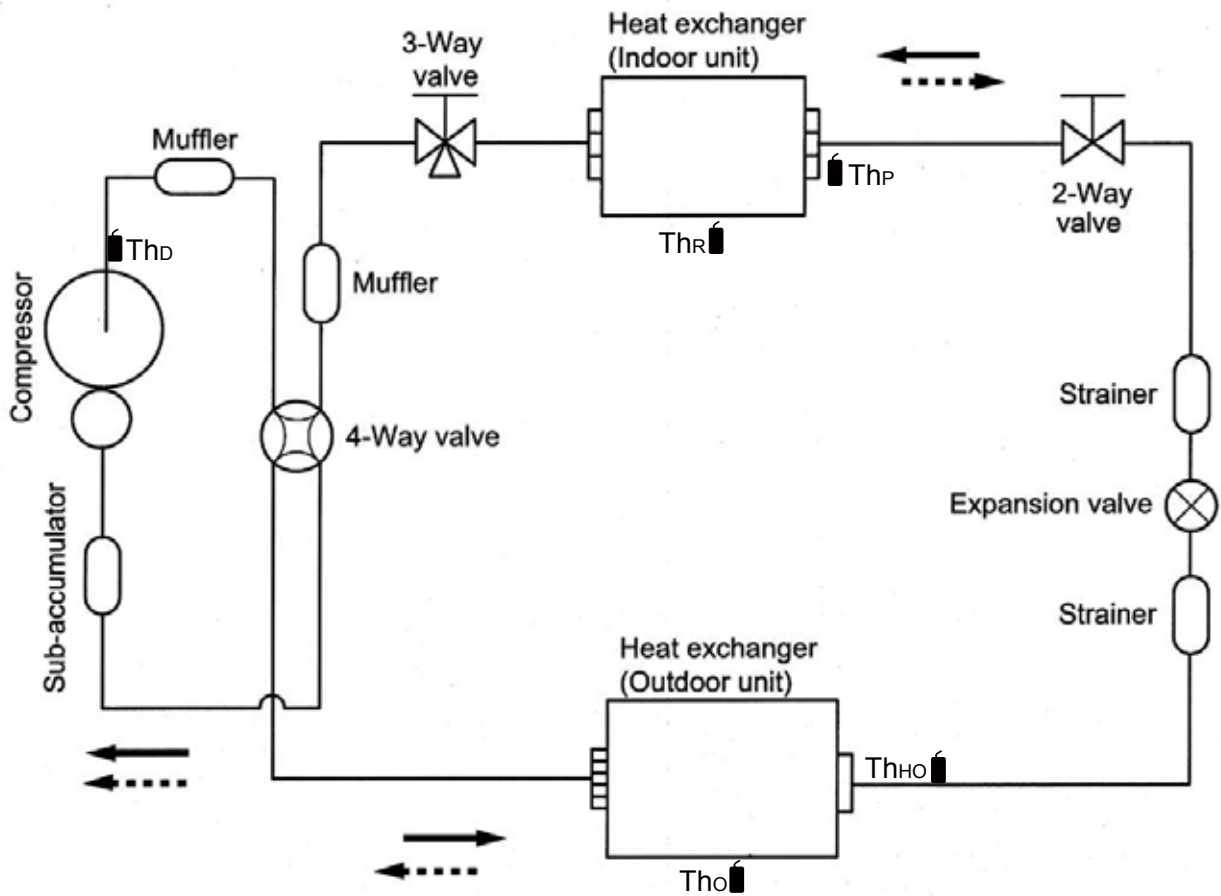


3. REFRIGERANT CIRCUIT

■ MODEL: AO*G18LFC

OUTDOOR UNIT
AO*G18-30LF

OUTDOOR UNIT
AO*G18-30LF



Refrigerant direction

- ▶ : Cooling
- - - - -▶ : Heating

- Th_D : Thermistor (Discharge Temp.)
- Th_O : Thermistor (Outdoor Temp.)
- Th_{HO} : Thermistor (Heat Exchanger Out Temp.)
- Th_R : Thermistor (Room Temp.)
- Th_P : Thermistor (Pipe Temp.)

Refrigerant pipe diameter

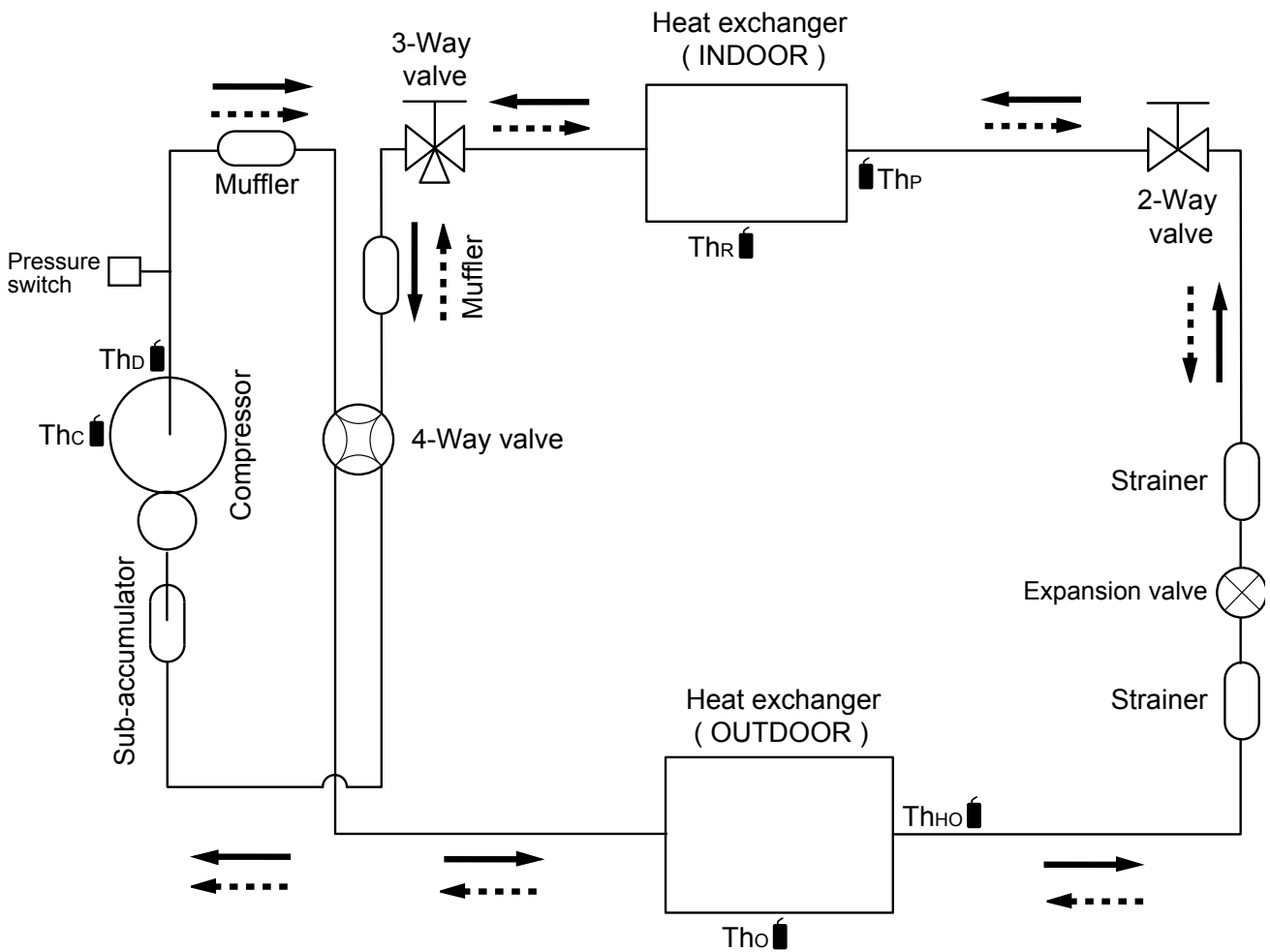
Liquid : 1/4" (6.35 mm)

Gas : 1/2" (12.7 mm)

MODEL: AO*G24LFCC

OUTDOOR UNIT
AO*G18-30LF

OUTDOOR UNIT
AO*G18-30LF



—————> : Cooling
 - - - - -> : Heating

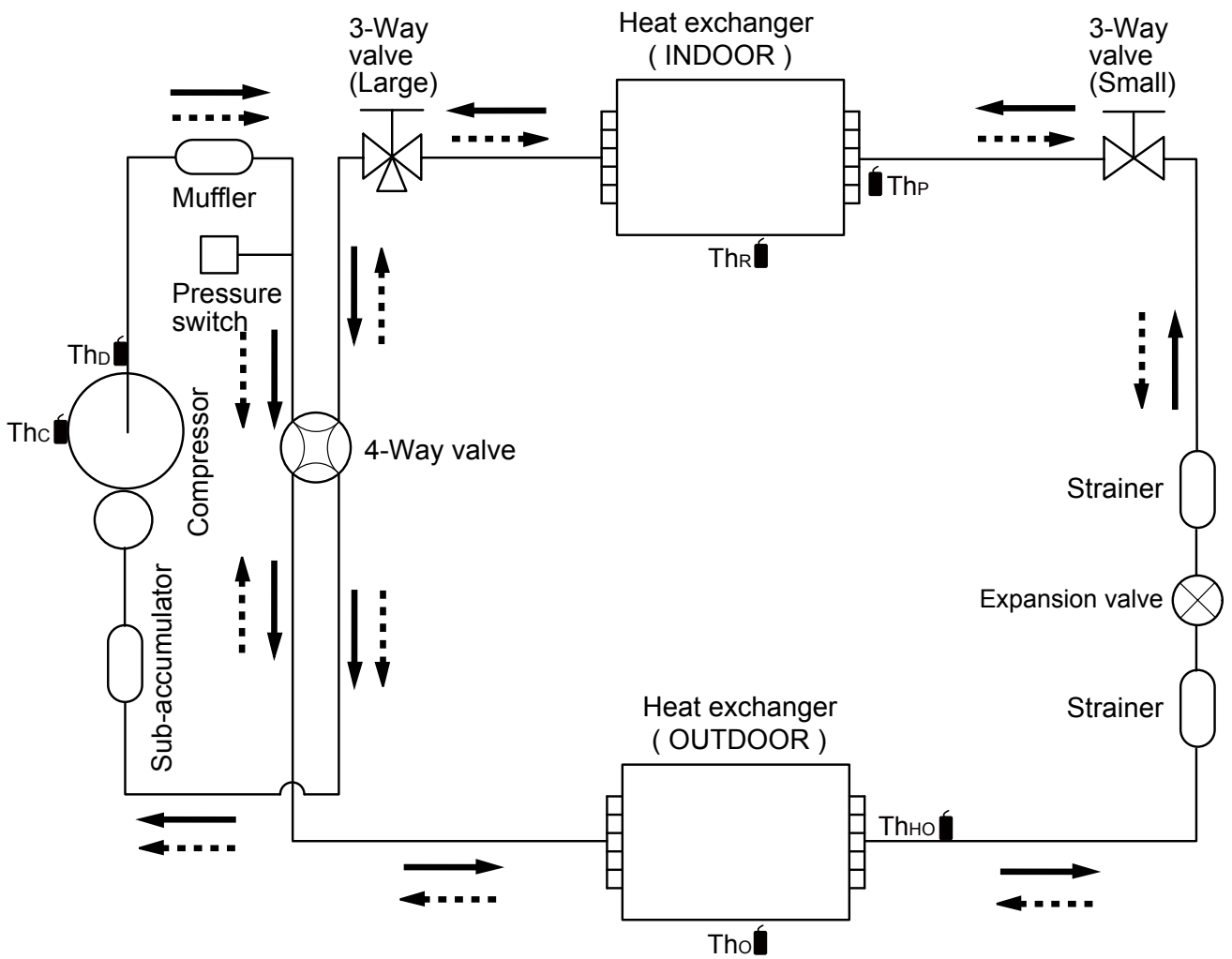
- Th_c : Thermistor (Compressor Temp.)
- Th_D : Thermistor (Discharge Temp.)
- Th_o : Thermistor (Outdoor Temp.)
- Th_{HO} : Thermistor (Heat Exchanger Out Temp.)
- Th_R : Thermistor (Room Temp.)
- Th_P : Thermistor (Pipe Temp.)

Refrigerant pipe diameter
 Liquid : 1/4" (6.35 mm)
 Gas : 5/8" (15.88 mm)

MODEL: AO*G30LFT

OUTDOOR UNIT
AO*G18-30LF

OUTDOOR UNIT
AO*G18-30LF



————— : Cooling
 - - - - - : Heating

- Th_c : Thermistor (Compressor Temp.)
- Th_d : Thermistor (Discharge Temp.)
- Th_o : Thermistor (Outdoor Temp.)
- Th_{HO} : Thermistor (Heat Exchanger Out Temp.)
- Th_R : Thermistor (Room Temp.)
- Th_P : Thermistor (Pipe Temp.)

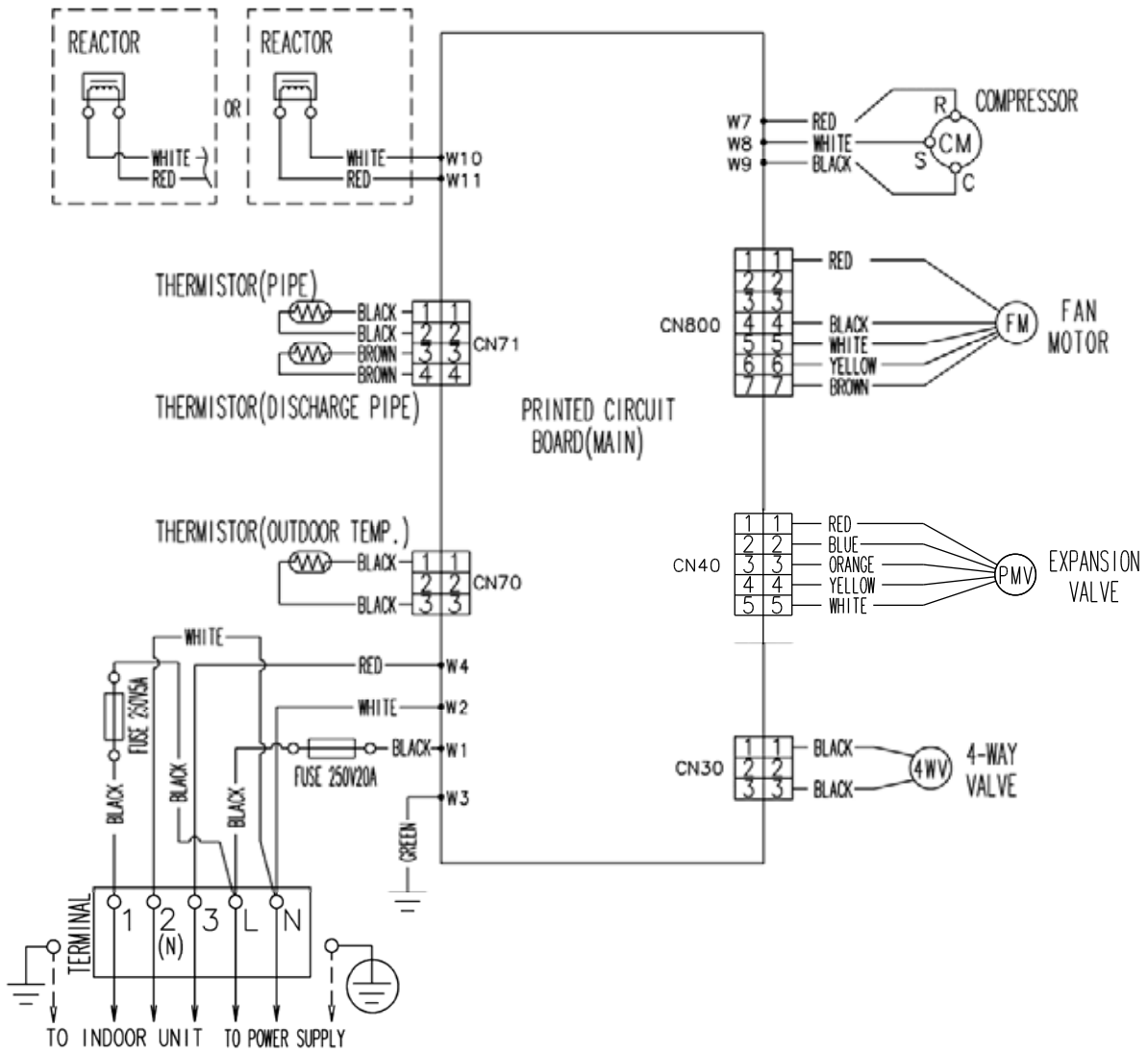
Refrigerant pipe diameter
 Liquid : 3/8" (9.52 mm)
 Gas : 5/8" (15.88 mm)

4. WIRING DIAGRAMS

MODEL: AO*G18LFC

OUTDOOR UNIT
AO*G18-30LF

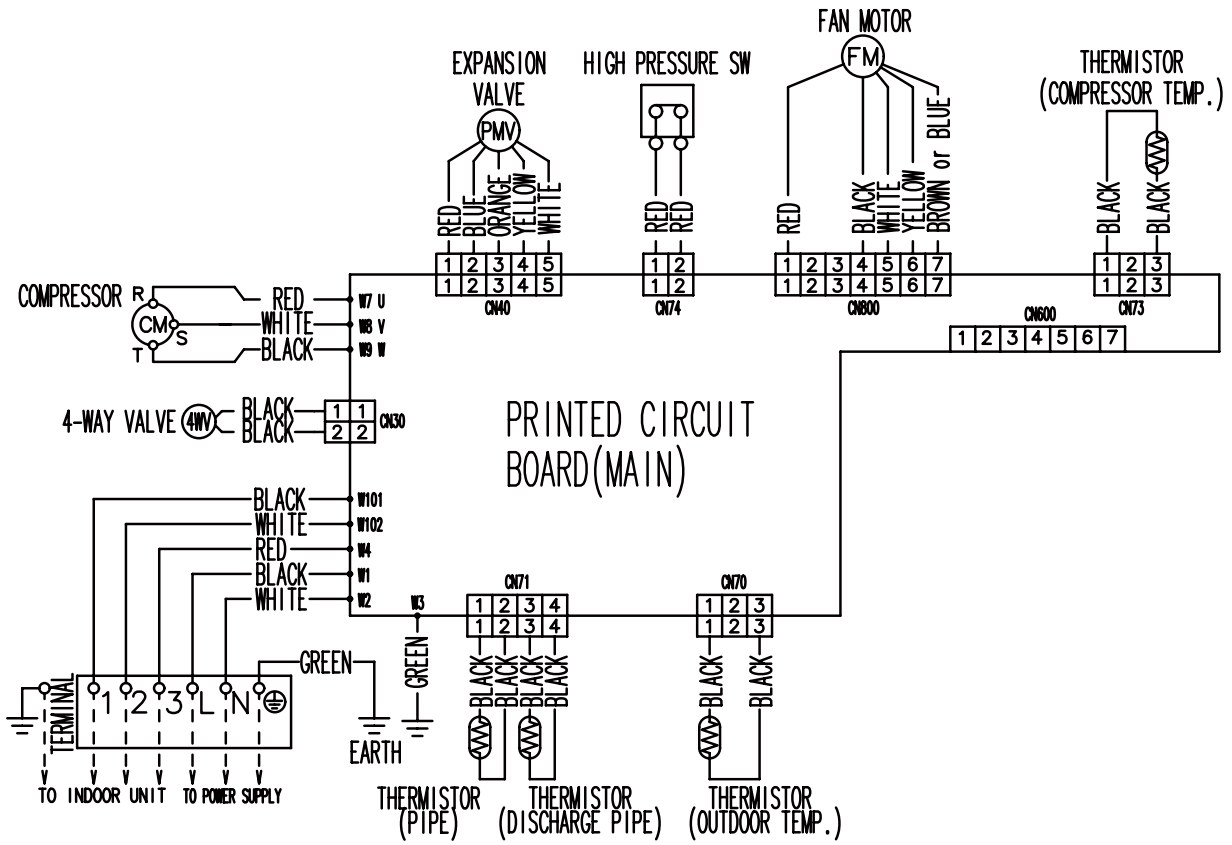
OUTDOOR UNIT
AO*G18-30LF



MODEL: AO*G24LFCC

OUTDOOR UNIT
AO*G18-30LF

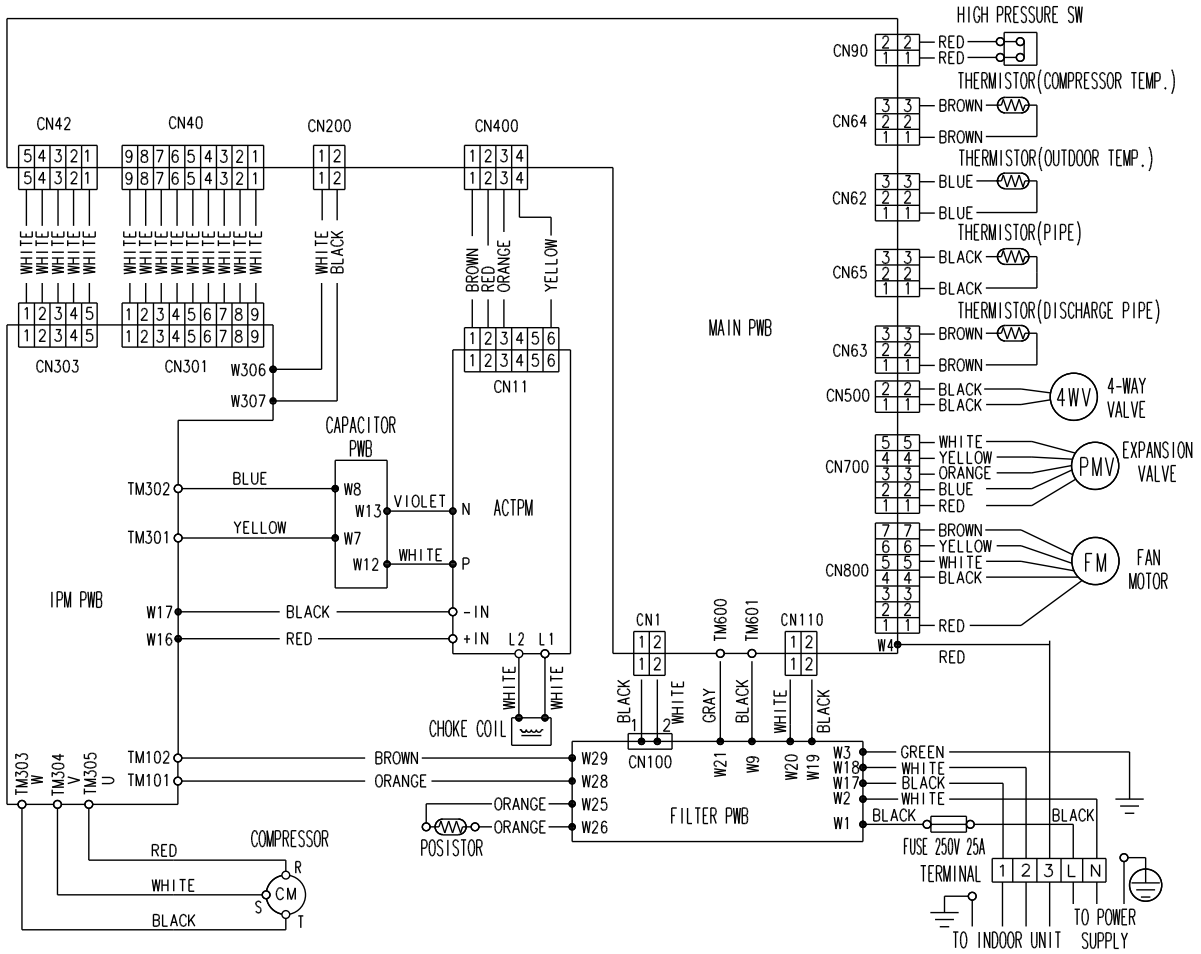
OUTDOOR UNIT
AO*G18-30LF



MODEL: AO*G30LFT

OUTDOOR UNIT
AO*G18-30LF

OUTDOOR UNIT
AO*G18-30LF



5. CAPACITY COMPENSATION RATE FOR PIPE LENGTH AND HEIGHT DIFFERENCE

MODEL: AO*G18LFC

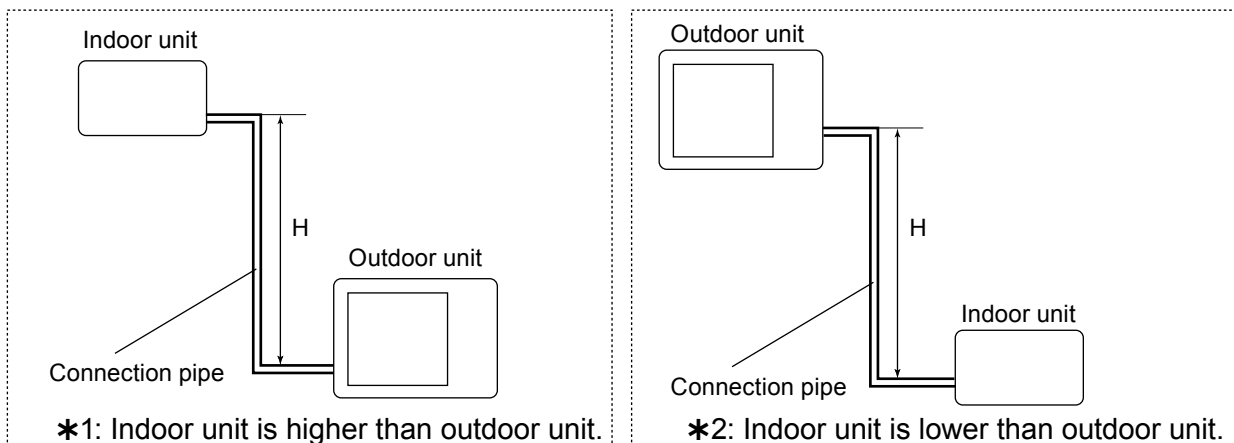
OUTDOOR UNIT
AO*G18-30LF

OUTDOOR UNIT
AO*G18-30LF

COOLING			Pipe length (m)				
			5	10	15	20	25
Height difference H (m)	*1 Indoor unit is higher than outdoor unit.	20	-	-	-	0.869	0.867
		10	-	0.973	0.911	0.885	0.883
		5	0.992	0.981	0.919	0.893	0.891
		0	1.000	0.989	0.927	0.901	0.899
	*2 Indoor unit is lower than outdoor unit.	-5	1.000	0.989	0.927	0.901	0.899
		-10	-	0.989	0.927	0.901	0.899
		-20	-	-	-	0.901	0.899

HEATING			Pipe length (m)				
			5	10	15	20	25
Height difference H (m)	*1 Indoor unit is higher than outdoor unit.	20	-	-	-	0.901	0.879
		10	-	0.989	0.927	0.901	0.879
		5	1.000	0.989	0.927	0.901	0.879
		0	1.000	0.989	0.927	0.901	0.879
	*2 Indoor unit is lower than outdoor unit.	-5	0.995	0.984	0.922	0.896	0.874
		-10	-	0.979	0.917	0.892	0.869
		-20	-	-	-	0.876	0.853

Height difference H



MODEL: AO*G24LFCC

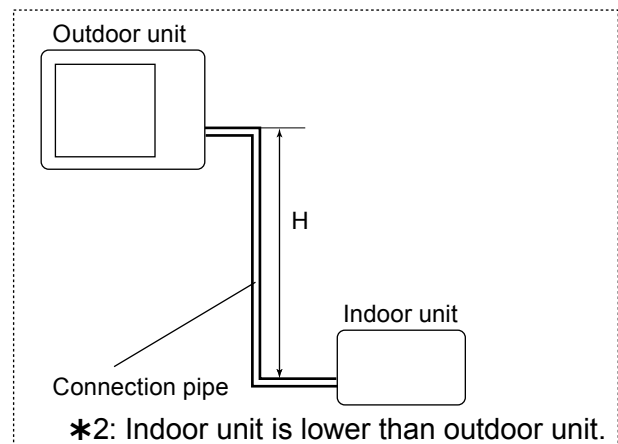
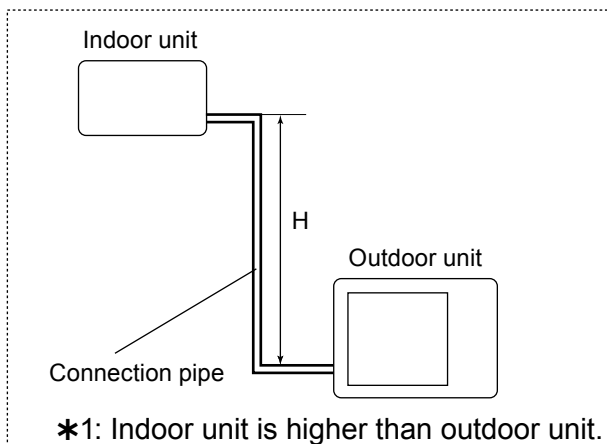
OUTDOOR UNIT
AO*G18-30LF

OUTDOOR UNIT
AO*G18-30LF

COOLING			Pipe length (m)						
			5	7.5	10	15	20	25	30
Height difference H (m)	*1 Indoor unit is higher than outdoor unit.	20	-	-	-	-	0.952	0.951	0.951
		10	-	-	0.980	0.966	0.968	0.967	0.966
		7.5	-	0.988	0.984	0.970	0.972	0.971	0.970
		5	0.992	0.992	0.988	0.974	0.976	0.975	0.974
		0	1.000	1.000	0.996	0.982	0.983	0.983	0.982
	*2 Indoor unit is lower than outdoor unit	-5	1.000	1.000	0.996	0.982	0.983	0.983	0.982
		-7.5	-	1.000	0.996	0.982	0.983	0.983	0.982
		-10	-	-	0.996	0.982	0.983	0.983	0.982
		-20	-	-	-	-	0.983	0.983	0.982

HEATING			Pipe length (m)						
			5	7.5	10	15	20	25	30
Height difference H (m)	*1 Indoor unit is higher than outdoor unit.	20	-	-	-	-	0.954	0.932	0.908
		10	-	-	0.998	0.975	0.954	0.932	0.908
		7.5	-	1.000	0.998	0.975	0.954	0.932	0.908
		5	1.000	1.000	0.998	0.975	0.954	0.932	0.908
		0	1.000	1.000	0.998	0.975	0.954	0.932	0.908
	*2 Indoor unit is lower than outdoor unit	-5	0.995	0.995	0.993	0.970	0.950	0.927	0.903
		-7.5	-	0.993	0.991	0.968	0.947	0.925	0.901
		-10	-	-	0.988	0.965	0.945	0.923	0.899
		-20	-	-	-	-	0.935	0.914	0.890

Height difference H



MODEL: AO*G30LFT

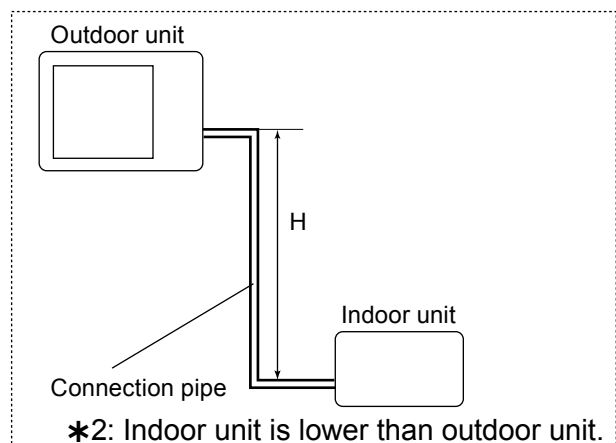
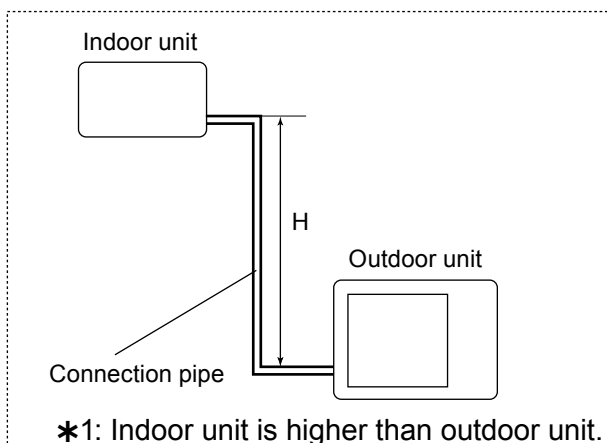
OUTDOOR UNIT
AO*G18-30LF

OUTDOOR UNIT
AO*G18-30LF

COOLING			Pipe length (m)						
			5	7.5	10	20	30	40	50
Height difference H (m)	*1 Indoor unit is higher than outdoor unit.	30	-	-	-	-	0.932	0.929	0.924
		20	-	-	-	0.945	0.947	0.945	0.940
		10	-	-	0.984	0.961	0.963	0.960	0.956
		7.5	-	0.988	0.988	0.965	0.967	0.964	0.959
		5	0.992	0.992	0.992	0.968	0.971	0.968	0.963
	*2 Indoor unit is lower than outdoor unit	0	1.000	1.000	1.000	0.976	0.979	0.976	0.971
		-5	1.000	1.000	1.000	0.976	0.979	0.976	0.971
		-7.5	-	1.000	1.000	0.976	0.979	0.976	0.971
		-10	-	-	1.000	0.976	0.979	0.976	0.971
		-20	-	-	-	0.976	0.979	0.976	0.971
-30	-	-	-	-	0.979	0.976	0.971		

HEATING			Pipe length (m)						
			5	7.5	10	20	30	40	50
Height difference H (m)	*1 Indoor unit is higher than outdoor unit.	30	-	-	-	-	0.816	0.756	0.686
		20	-	-	-	0.872	0.816	0.756	0.686
		10	-	-	0.991	0.872	0.816	0.756	0.686
		7.5	-	1.000	0.991	0.872	0.816	0.756	0.686
		5	1.000	1.000	0.991	0.872	0.816	0.756	0.686
	*2 Indoor unit is lower than outdoor unit	0	1.000	1.000	0.991	0.872	0.816	0.756	0.686
		-5	0.995	0.995	0.986	0.868	0.812	0.752	0.683
		-7.5	-	0.993	0.983	0.866	0.810	0.750	0.681
		-10	-	-	0.981	0.864	0.808	0.748	0.679
		-20	-	-	-	0.855	0.799	0.740	0.672
-30	-	-	-	-	0.791	0.733	0.665		

Height difference H



6. ADDITIONAL CHARGE CALCULATION

■ MODEL: AO*G18LFC

Refrigerant type		R410A
Refrigerant amount	g	1200

● Refrigerant charge

Total pipe length	m	15 or less	20	25 (Max.)	20 g/m
Additional charge	g	0	100	200	

■ MODEL: AO*G24LFCC

Refrigerant type		R410A
Refrigerant amount	g	1800

● Refrigerant charge

Total pipe length	m	15 or less	20	25	30 (Max.)	20 g/m
Additional charge	g	0	100	200	300	

■ MODEL: AO*G30LFT

Refrigerant type		R410A
Refrigerant amount	g	2100

● Refrigerant charge

Total pipe length	m	20 or less	30	40	50 (Max.)	40 g/m
Additional charge	g	0	400	800	1200	

7. AIRFLOW

■ MODEL: AO*G18LFC

● Cooling

Number of rotations (r.p.m.)	Airflow	
	920	m ³ /h
l/s		597
CFM		1265

● Heating

Number of rotations (r.p.m.)	Airflow	
	870	m ³ /h
l/s		575
CFM		1218

■ MODEL: AO*G24LFCC

● Cooling

Number of rotations (r.p.m.)	Airflow	
	1100	m ³ /h
l/s		683
CFM		1448

● Heating

Number of rotations (r.p.m.)	Airflow	
	1050	m ³ /h
l/s		650
CFM		1377

■ MODEL: AO*G30LFT

● Cooling

Number of rotations (r.p.m.)	Airflow	
	850	m ³ /h
l/s		1000
CFM		2119

● Heating

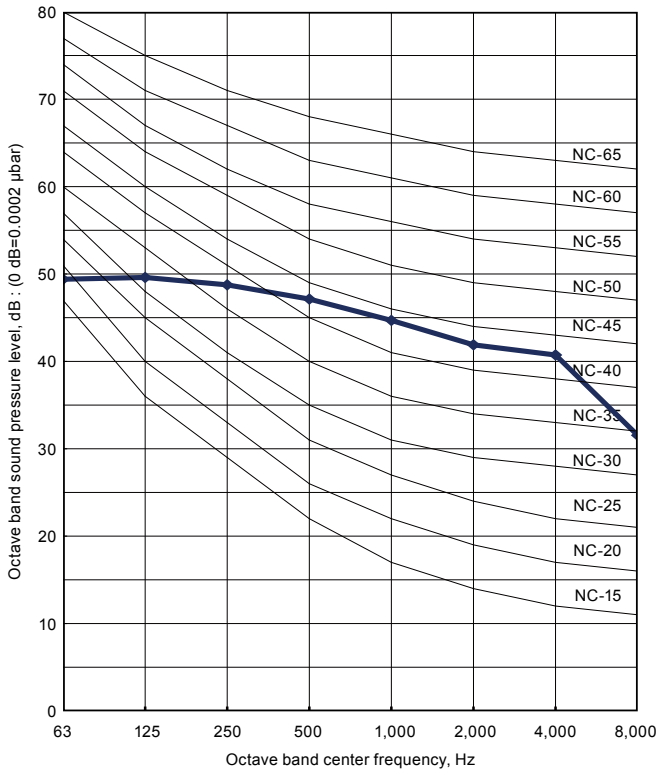
Number of rotations (r.p.m.)	Airflow	
	850	m ³ /h
l/s		1000
CFM		2119

8. OPERATION NOISE (SOUND PRESSURE)

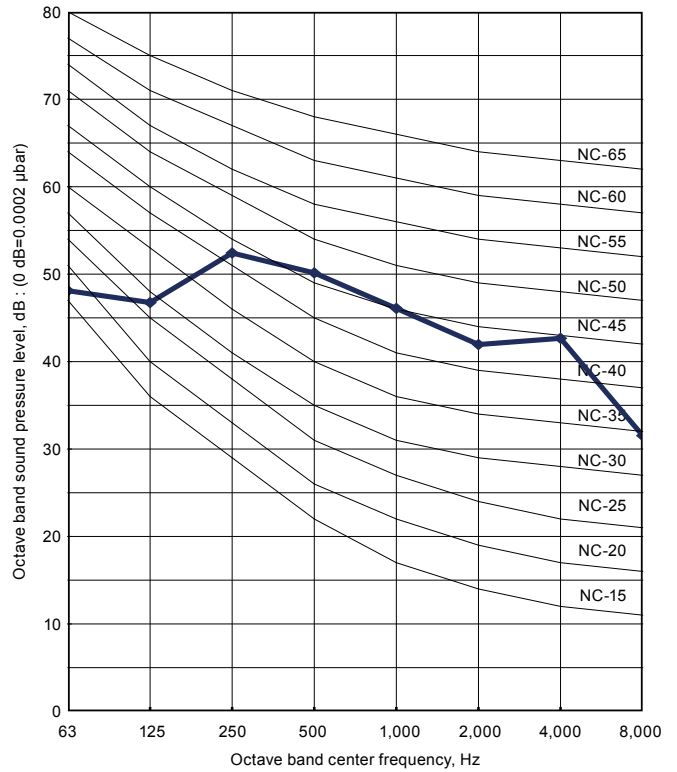
8-1. NOISE LEVEL CURVE

MODEL: AO*G18LFC

● Cooling

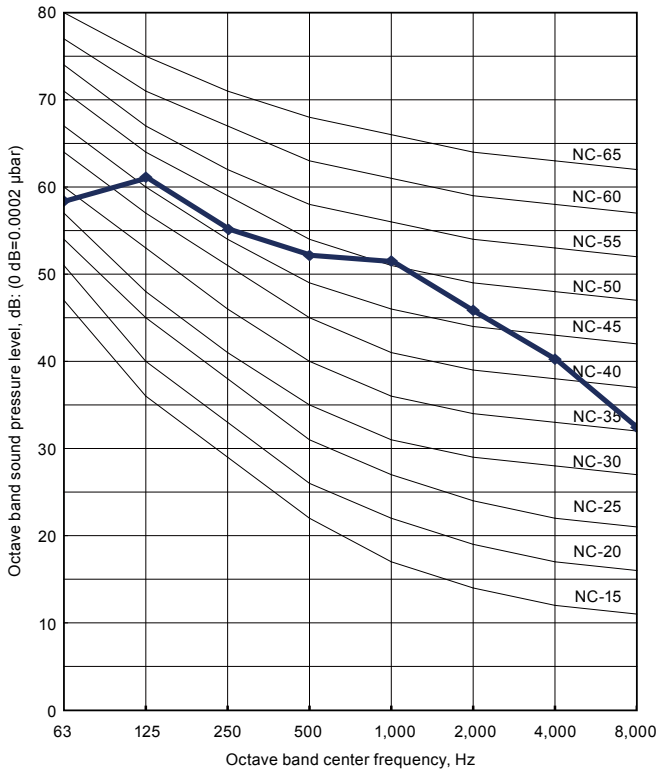


● Heating

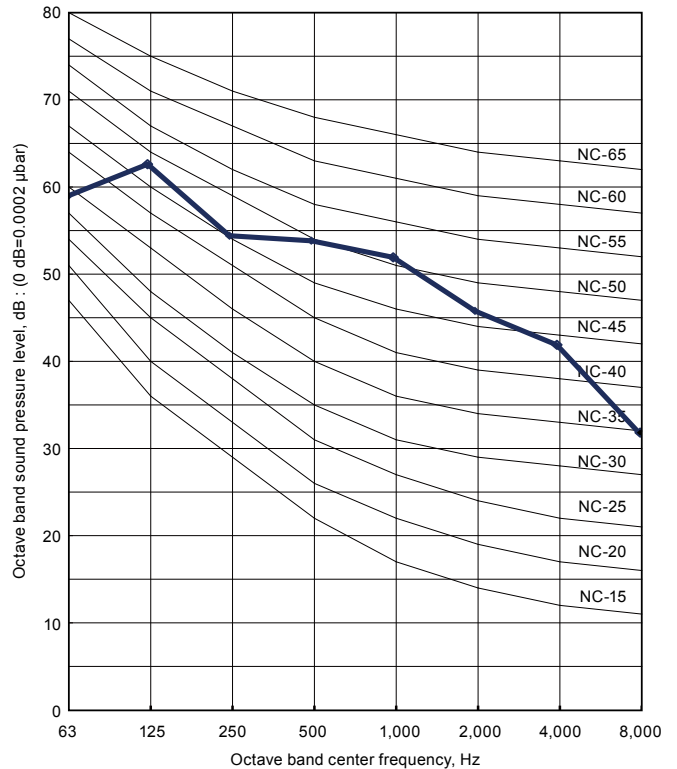


MODEL: AO*G24LFCC

● Cooling



● Heating

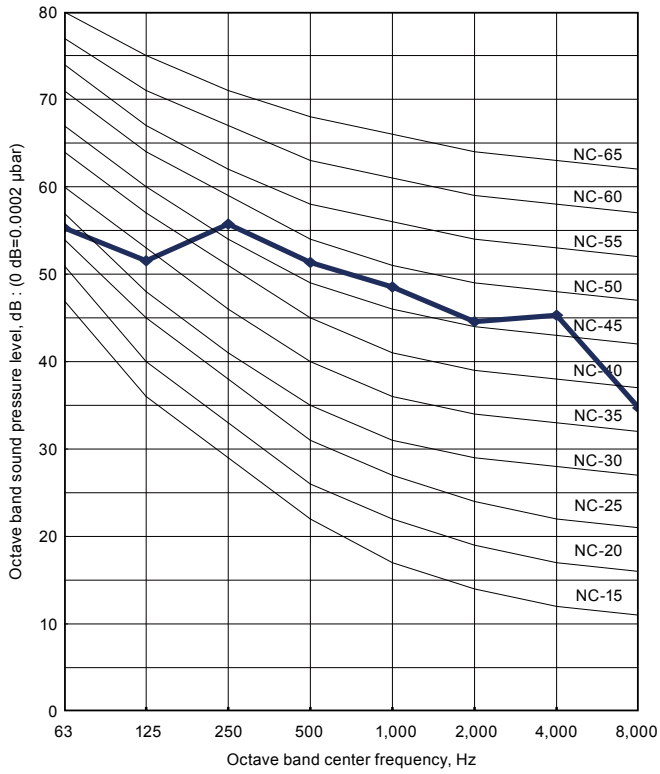


OUTDOOR UNIT
AO*G18-30LF

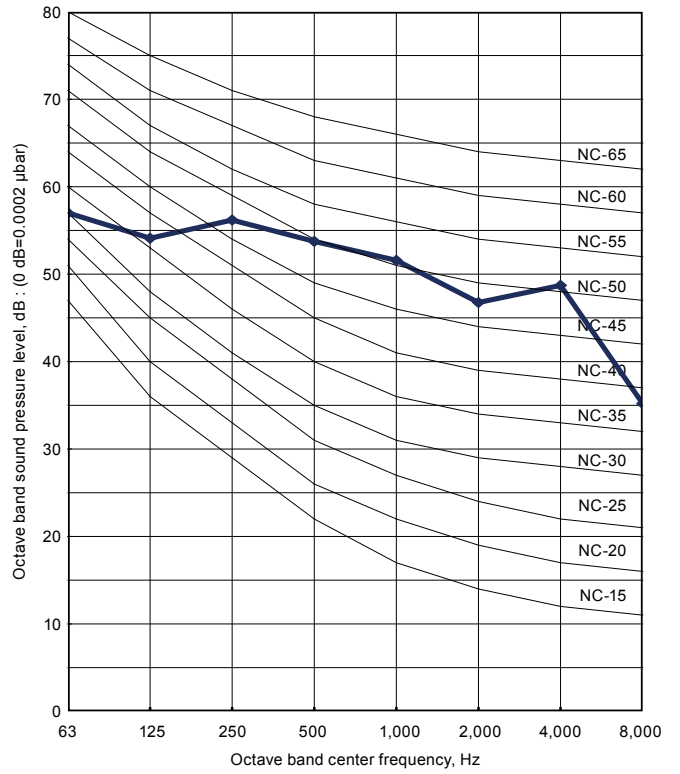
OUTDOOR UNIT
AO*G18-30LF

MODEL: AO*G30LFT

● Cooling

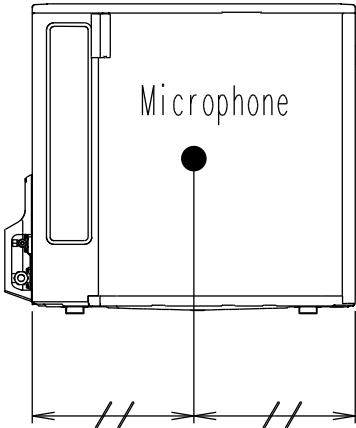
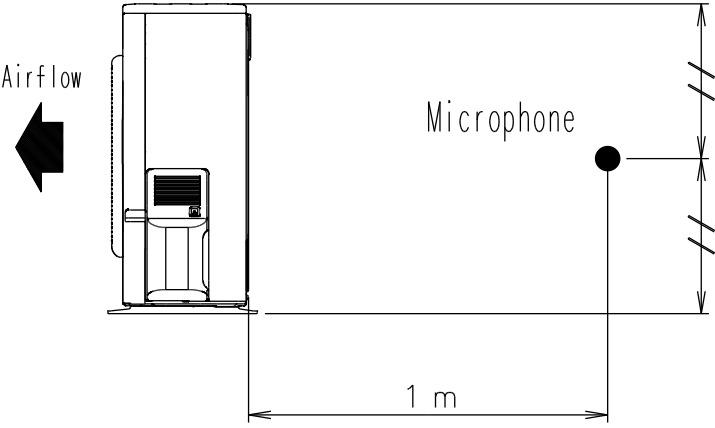


● Heating



8-2. SOUND LEVEL CHECK POINT

OUTDOOR UNIT
AO*G18-30LF



OUTDOOR UNIT
AO*G18-30LF

9. ELECTRICAL CHARACTERISTICS

Model name			AO*G18LFC	AO*G24LFCC	AO*G30LFT
Power supply	Voltage	V	230 V ~		
	Frequency	Hz	50		
Max. operating current *1		A	12.5	18.5	19.0
Starting current		A	7.6	9.7	10.9
Wiring spec. *2	Main fuse (Circuit breaker) current	A	20	30	
	Power cable	mm ²	3.5–4.0		
	Limited wiring length *3	m	20		

*1: The maximum current is the total current of indoor unit and outdoor unit.

*2: Selected sample based on Japan Electrotechnical Standards and Codes Committee E0005.

*3: This is the wiring length in case voltage descent is less than 2 %.

When the wiring length becomes long, select a wire with larger diameter.

10. SAFETY DEVICES

	Protection form	Model		
		AO*G18LFC	AO*G24LFCC	AO*G30LFT
Circuit protection	Current fuse (Near the terminal)	250 V 20 A	—	250 V 20 A
		250 V 5 A	—	250 V 5 A
	Current fuse (Main PC board)	250 V 15 A	250 V 20 A	250 V 15 A
		250 V 3.15 A	250 V 5 A	250 V 3.15 A
Fan motor protection	Thermal protection program	OFF : 100 ± 15 °C ON : 95 ± 10 °C	OFF : 100 ± 15 °C ON : 95 ± 10 °C	OFF : 150 ± 15 °C ON : 120 ± 15 °C
Compressor protection	Thermal protection program (Compressor temp.)	—	OFF : 108 °C ON : After 40 minutes	OFF : 108 °C ON : After 40 minutes
	Thermal protection program (Discharge temp.)	OFF : 110 °C ON : After 7 minutes	OFF : 110 °C ON : After 7 minutes	OFF : 110 °C ON : After 7 minutes
High pressure protection	Pressure switch	—	OFF : 4.2 ± 0.1 MPa ON : 3.2 ± 0.15 MPa	OFF : 4.2 ± 0.1 MPa ON : 3.2 ± 0.15 MPa