

AIR CONDITIONER

Multi : 2rooms type
3rooms type
4rooms type

DESIGN & TECHNICAL MANUAL

INDOOR



AU*G07LVLA
AU*G09LVLA
AU*G12LVLA
AU*G14LVLA
AU*G18LVLA
AU*G12VLB
AU*G14VLB
AU*G18VLB



AR*G07LLTA
AR*G09LLTA
AR*G12LLTA
AR*G14LLTA
AR*G12LLTB
AR*G14LLTB



AR*G18LLTA
AR*G18LLTB



AS*G07LJCA
AS*G09LJCA
AS*G12LJCA



AS*G07LMCA
AS*G09LMCA
AS*G12LMCA
AS*G14LMCA



AS*G07LUCA
AS*G09LUCA
AS*G12LUCA
AS*G14LUCA



AS*G18LFCA
AS*G24LFCA
AS*G24LFCC



AB*G14LVTA
AB*G18LVTA
AB*G18LVTB



AG*G09LVCA
AG*G12LVCA
AG*G14LVCA

OUTDOOR



AO*G14LAC2
AO*G18LAC2



AO*G18LAT3
AO*G24LAT3



AO*G30LAT4

FUJITSU GENERAL LIMITED

1. INDOOR UNIT

COMPACT

CASSETTE TYPE:

AU*G07LVLA
AU*G09LVLA
AU*G12LVLA
AU*G14LVLA
AU*G18LVLA
AU*G12LVLB
AU*G14LVLB
AU*G18LVLB

SLIM DUCT TYPE:

AR*G07LLTA
AR*G09LLTA
AR*G12LLTA
AR*G14LLTA
AR*G18LLTA
AR*G12LLTB
AR*G14LLTB
AR*G18LLTB

FLOOR/CEILING TYPE:

AB*G14LVTA
AB*G18LVTA
AB*G18LVTB

WALL MOUNTED TYPE:

AS*G07LJCA
AS*G09LJCA
AS*G12LJCA

AS*G07LUCA
AS*G09LUCA
AS*G12LUCA
AS*G14LUCA

AS*G07LMCA
AS*G09LMCA
AS*G12LMCA
AS*G14LMCA

AS*G18LFCA
AS*G24LFCA
AS*G24LFCC

FLOOR TYPE:

AG*G09LVCA
AG*G12LVCA
AG*G14LVCA

CONTENTS

1. INDOOR UNIT

1. FEATURES	01-01
1-1. INDOOR UNIT	01-01
1-1-1. COMPACT CASSETTE TYPE	01-01
1-1-2. SLIM DUCT TYPE	01-02
1-1-3. WALL MOUNTED TYPE	01-03
1-1-4. FLOOR / CEILING TYPE	01-07
1-1-5. FLOOR TYPE	01-08
1-2. LINE UP	01-09
2. REMOTE CONTROLLER	01-12
2-1. WIRELESS REMOTE CONTROLLER	01-12
2-2. WIRED REMOTE CONTROLLER [For Slim duct type]	01-23
2-3. WIRED REMOTE CONTROLLER (Optional parts)	01-29
3. SPECIFICATIONS	01-41
3-1. COMPACT CASSETTE TYPE	01-41
3-2. SLIM DUCT TYPE	01-42
3-3. WALL MOUNTED TYPE	01-43
3-4. FLOOR / CEILING TYPE	01-47
3-5. FLOOR TYPE	01-48
4. DIMENSIONS	01-49
4-1. COMPACT CASSETTE TYPE	01-49
4-2. SLIM DUCT TYPE	01-51
4-3. WALL MOUNTED TYPE	01-55
4-4. FLOOR / CEILING TYPE	01-63
4-5. FLOOR TYPE	01-65
5. WIRING DIAGRAMS	01-66
5-1. COMPACT CASSETTE TYPE	01-66
5-2. SLIM DUCT TYPE	01-67
5-3. WALL MOUNTED TYPE	01-68
5-4. FLOOR / CEILING TYPE	01-72
5-5. FLOOR TYPE	01-73
6. AIR VELOCITY AND TEMPERATURE DISTRIBUTIONS ..	01-74
6-1. COMPACT CASSETTE TYPE	01-74
6-2. SLIM DUCT TYPE with Auto louver grille kit	01-82
6-3. WALL MOUNTED TYPE	01-92
6-4. FLOOR / CEILING TYPE	01-103
6-5. FLOOR TYPE	01-107

CONTENTS

1. INDOOR UNIT

7.	FAN PERFORMANCE CURVE	01-108
7-1.	SLIM DUCT TYPE	01-108
8.	AIRFLOW	01-118
9.	NOISE LEVEL CURVE	01-120
9-1.	COMPACT CASSETTE TYPE	01-120
9-2.	SLIM DUCT TYPE	01-123
9-3.	WALL MOUNTED TYPE	01-126
9-4.	FLOOR / CEILING TYPE	01-133
9-5.	FLOOR TYPE	01-134
9-6.	SOUND LEVEL CHECK POINT	01-136
10.	ELECTRICAL CHARACTERISTICS	01-139
11.	SAFETY DEVICES	01-140
12.	EXTERNAL INPUT & OUTPUT	01-141
12-1.	EXTERNAL INPUT	01-141
12-2.	EXTERNAL OUTPUT	01-143
13.	FUNCTION SETTINGS	01-147
13-1.	INDOOR UNIT (setting by jumper wire)	01-147
13-2.	INDOOR UNIT (setting by wireless remote controller)	01-148
13-2-1.	AR-RAH2E / AR-RAH1E	01-149
13-2-2.	AR-REA2E	01-154
13-2-3.	AR-REB1E	01-159
13-3.	INDOOR UNIT (setting by wired remote controller)	01-164
13-3-1.	MODEL: UTY-RNN*M	01-165
13-3-2.	MODEL: UTY-RVN*M	01-168
13-4.	INDOOR UNIT (setting by simple remote controller)	01-171
13-5.	FUNCTION DETAILS	01-175
13-6.	WIRED REMOTE CONTROLLER	01-179
13-6-1.	MODEL: UTY-RNN*M	01-179
13-6-2.	MODEL: UTY-RVN*M	01-181
13-7.	SIMPLE REMOTE CONTROLLER	01-182
14.	OPTIONAL PARTS	01-184
14-1.	CONTROLLER	01-184
14-2.	OTHERS	01-185
15.	INSTALLATION PRECAUTIONS	01-188
15-1.	INDOOR UNIT INSTALLATION PRECAUTIONS	01-188

1. FEATURES

1-1. INDOOR UNIT

1-1-1. COMPACT CASSETTE TYPE

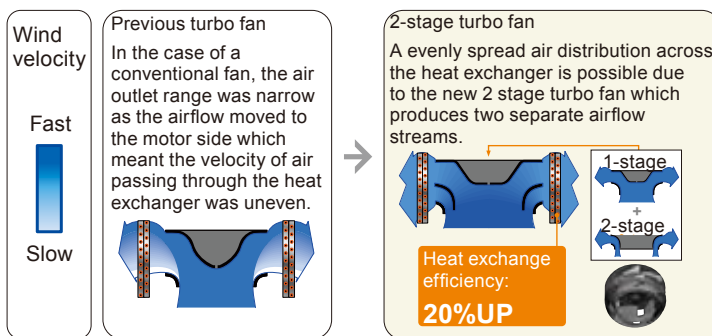
■ **MODELS : AU*G07LVLA, AU*G09LVLA, AU*G12LVLA, AU*G14LVLA, AU*G18LVLA, AU*G12LVLB, AU*G14LVLB, AU*G18LVLB**



■ FEATURES

● 2-stage turbo fan

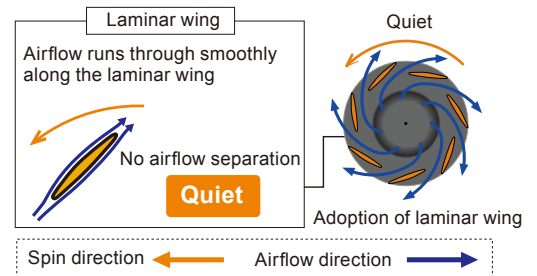
High efficiency design by 2 stage structure



● Quiet quality

Optimization of wing form (laminar wing type) and wing number (7 blades each)

Designed by CFD-analysis (fluid) simulations



● Easy maintenance

① Maintenance of fan motor and fan

Maintenance of the fan motor and fan can be done easily after taking off the panel as the bell mouth of the fan can be removed easily.

A : Fan motor B : 2-stage turbo fan

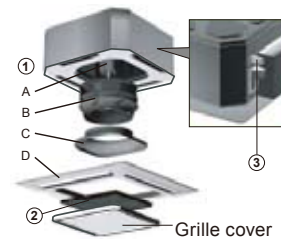
C : Bell-mouth D : Panel

② Air filter

: standard equipment

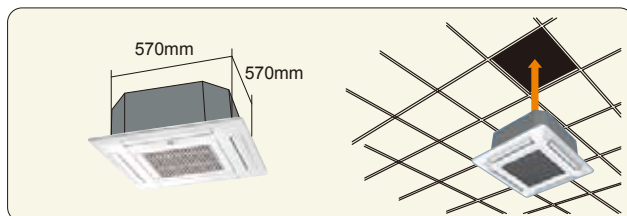
③ Adaptation of transparent drainage parts

During installation, maintenance and operation, the drain pump and kit can be checked easily.



● Compact design

Easy installation by taking off ceiling panel of 600mm x 600mm size



● High lift drain pump



1-1-2. SLIM DUCT TYPE

■ MODELS : AR*G07LLTA, AR*G09LLTA, AR*G12LLTA, AR*G14LLTA, AR*G18LLTA, AR*G12LLTB, AR*G14LLTB, AR*G18LLTB

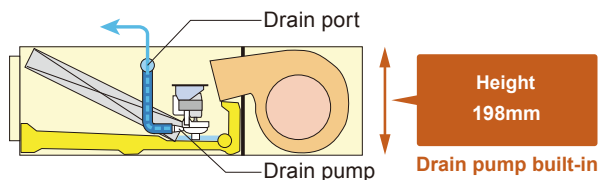


Slim design and wide range of static pressure for flexible installation.

■ FEATURES

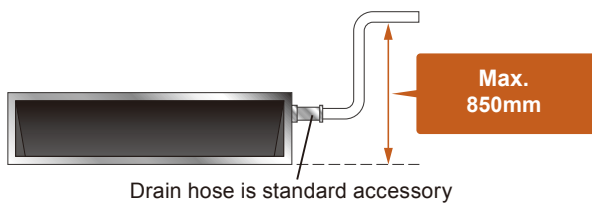
● Slim design

The slim design allows installations where ceilings are narrow.



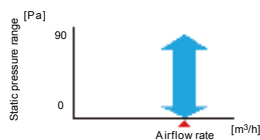
● Compact design

Condensate lift-up to 850mm.



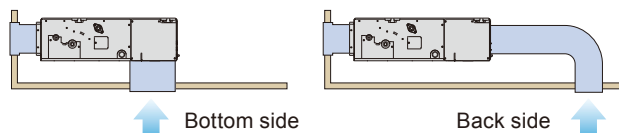
● Selectable wide range of static pressure

By using a DC fan motor, it is possible to change static pressure range from 0 to 90Pa. The change of static pressure range is possible by remote controller.

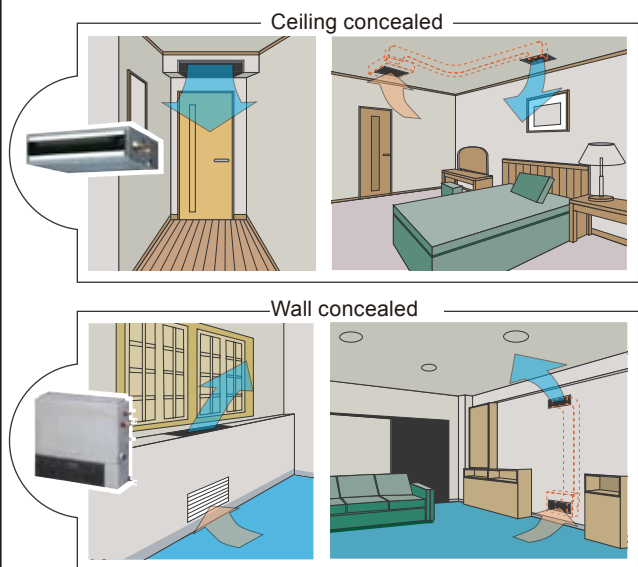


● Air - intake

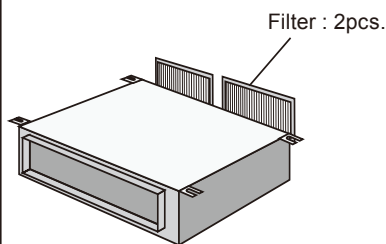
Air intake direction can be selected to match the installation site.



● Flexible installation



● Filter (Accessory)



1-1-3. WALL MOUNTED TYPE

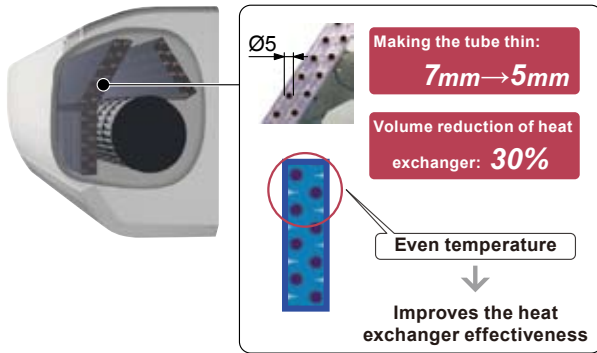
MODELS : AS*G07LJCA, AS*G09LJCA, AS*G12LJCA

Compact and Stylish design indoor unit



FEATURES

High density heat transfer tube arrangement



Filter features



Ion deodorization filter

The filter deodorizes by powerfully decomposing absorbed odors using the oxidizing and reducing effects of ions generated by the ultra-fine particle ceramic.



Apple-catechin filter

Apple-catechin filter uses static electricity to clean fine particles and dust in the air.

Easy maintenance

Removable & washable panel



Dry operation

Dry operation removes moisture and keeps the air conditioner clean.

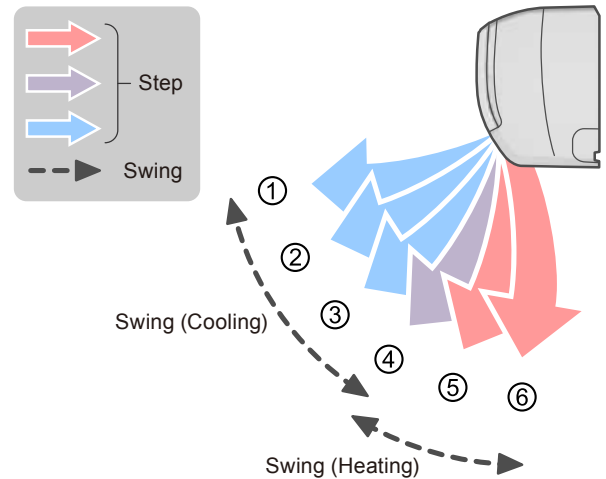
Quiet operation

Cooling mode (07/09/12 TYPE)

Fan speed	Noise level
Quiet	21dB_(A)

Auto swing louvre

The Auto Swing Louvre function ensures that the air direction corresponds to the mode selected.



Wired control compatible



Wired and wireless remote controller are acceptable.

* Optional communication kit is necessary for the installation.



Wired remote controller



Simple remote controller

MODELS : AS*G07LUCA, AS*G09LUCA, AS*G12LUCA, AS*G14LUCA

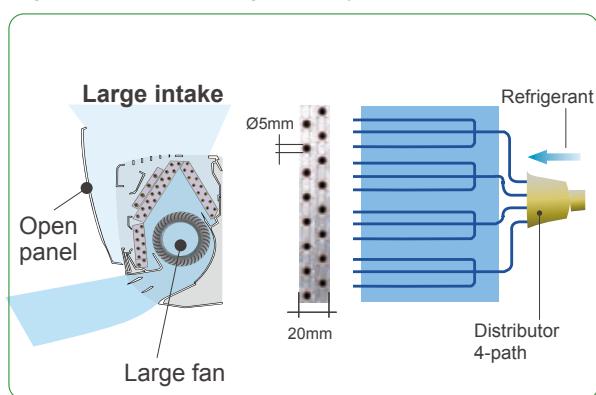
FEATURES

● Thin & Slim design

Thin and slim design is realized by Ø5mm heat exchanger and high efficiency wind blower.



Big open panel and High density multi path heat exchanger



● Powerful operation *Only available with Wireless RC.

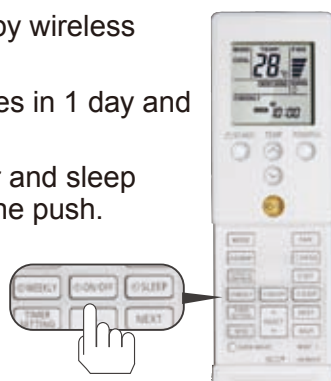
20 minutes continuous operation by maximum airflow is possible. The effect of the cooling and heating grows.

● 5 Mode timer (ON/OFF/Weekly/Program/Sleep) *Only available with Wireless RC.

Weekly timer can be easily set by wireless remote controller.

ON, OFF can be set up to 4 times in 1 day and up to 28 times in 1 week.

For other modes, program timer and sleep timer can be also selected by one push.

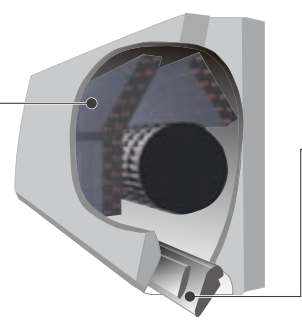
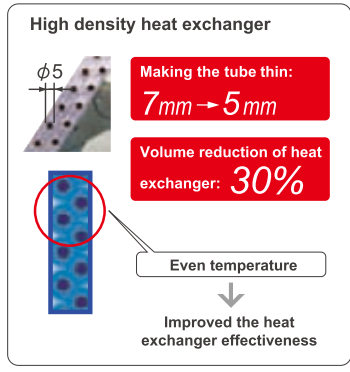


■ **MODELS : AS*G07LMCA, AS*G09LMCA, AS*G12LMCA, AS*G14LMCA**

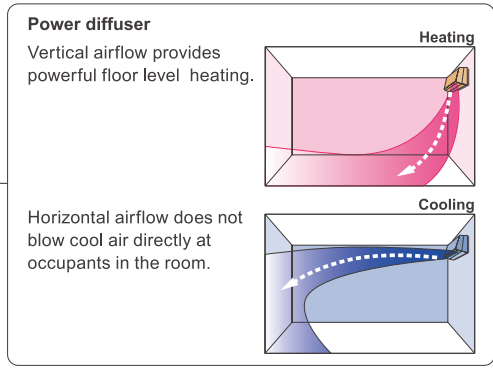
■ **FEATURES**



● **High efficient compact design**



● **More comfortable airflow**



● **Quiet operation**

INDOOR UNIT

Airflow mode can be set in 4 steps and more detailed airflow setting is possible.
21dB only at cooling operation (22dB at heating operation).

Fan speed	Noise level
Quiet	21dB(A)

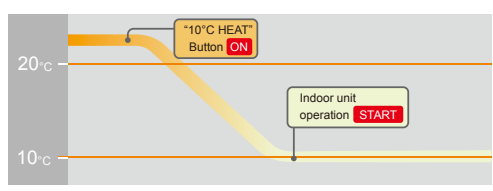
(AS*G07/09/12LMCA)

● **10°C HEAT Operation** *Only available with Wireless RC.

The room temperature can be set to go no lower than 10°C, thus ensuring that the room does not get too cold when not occupied.

Caution)

When the room temperature is higher than 10°C, “10°C HEAT” operation will not start. Operation starts and maintains the room temperature at 10°C when the temperature drops below 10°C.



● **Powerful operation** *Only available with Wireless RC.

20 minutes continuous operation by maximum airflow and maximum compressor speed is possible. Rapid cooling and heating makes the room comfortable quickly.

MODELS : AS*G18LFCA, AS*G24LFCA, AS*G24LFCC

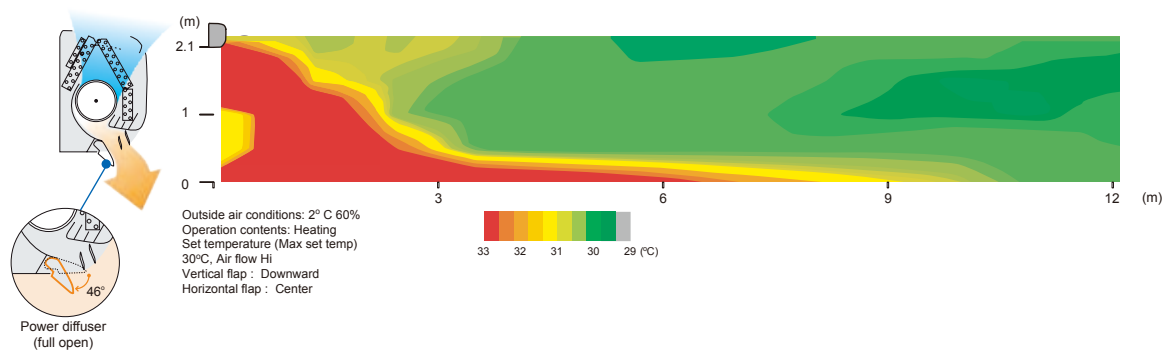
Simple & Elegant Appearance Design

FEATURES

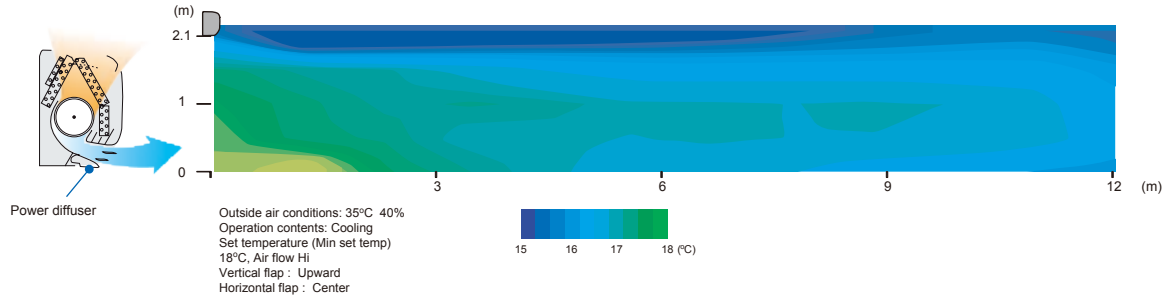
● Compact & Slim design



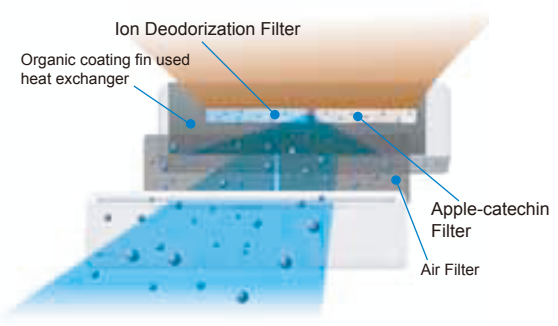
● “Vertical airflow” provides powerful floor level heating



● “Horizontal airflow” does not blow cool air directly at the occupants in the room



● Air conditioner filter features



 Ion deodorization filter

The filter deodorizes by powerfully decomposing absorbed odors using the oxidizing and reducing effects of ions generated by the ultra-fine-particle ceramic.

✦ Using different filters at both sides

 Apple-catechin filter

Apple-catechin filter uses static electricity to clean fine particles and dust in the air.

● Easy maintenance

Simplification of drain pan cleaning improves maintenance-ability.

1-1-4. FLOOR / CEILING TYPE

■ MODELS : AB*G14LVTA, AB*G18LVTA, AB*G18LVTB

■ FEATURES

● Flexible installation

Example for floor installation



Example for ceiling installation

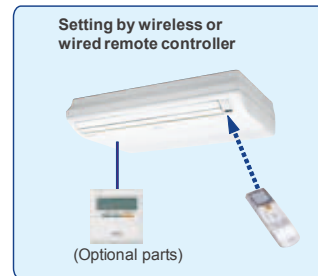


● Easy installation

Main work settings can be done easily from the remote controller at installation

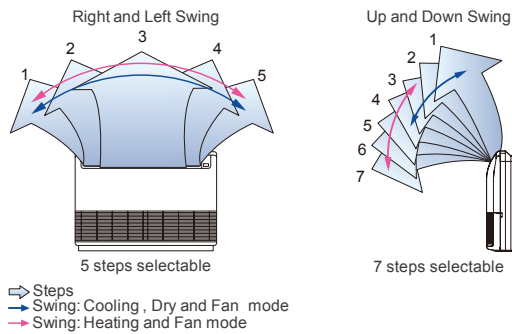
Main work settings

- High ceiling setting
- Auto restart
- Temperature adjustment when cooling / heating



● Double auto swing

A combination of right/left and up/down directional swing allows 3-dimensional air direction control

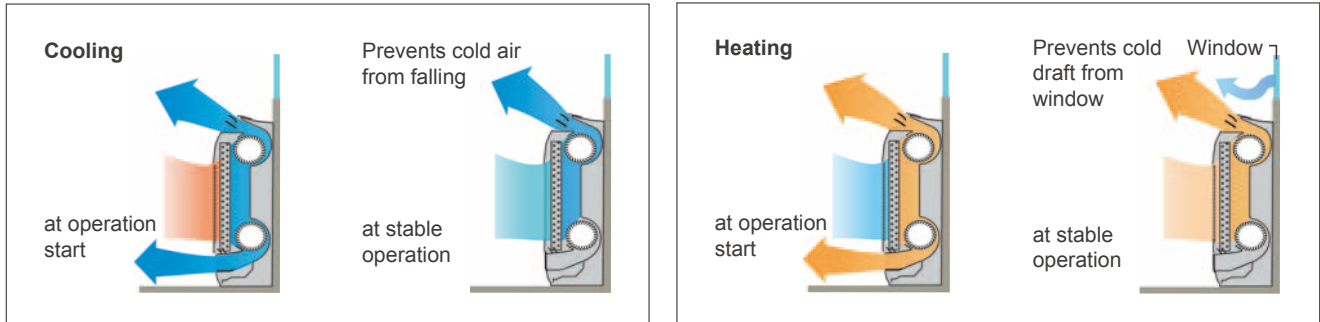


1-1-5. FLOOR TYPE

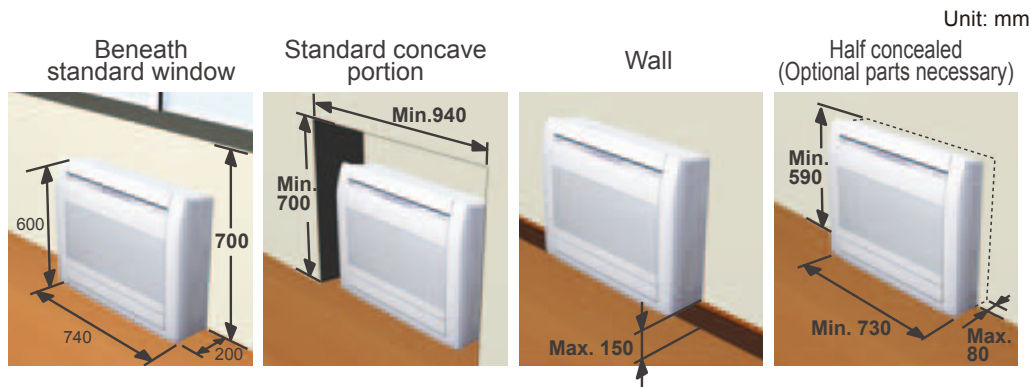
■ MODELS : AG*G09LVCA, AG*G12LVCA, AG*G14LVCA

■ FEATURES

● 2-Fan & Wide airflow



● Flexible & easy installation



● Filter features

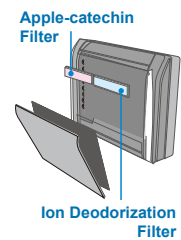
Ion deodorization filter

The filter deodorizes by powerfully decomposing absorbed odors using the oxidizing and reducing effects of ions generated by the ultra-fine-particle ceramic.

✚ Using different filters at both sides

Apple-catechin filter

Apple-catechin filter uses static electricity to clean fine particles and dust in the air.



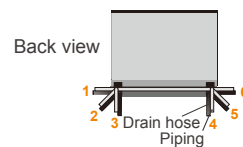
● Easy maintenance

Removable and washable panel













● Flexible piping connection

6 direction of drain & piping



1-2. LINE UP

MODELS

INDOOR UNIT		
AU*G07LVLA , AU*G09LVLA AU*G12LVLA, AU*G14LVLA AU*G18LVLA, AU*G12LVLB AU*G14LVLB, AU*G18LVLB	AR*G07LLTA AR*G09LLTA AR*G12LLTA AR*G14LLTA AR*G12LLTB AR*G14LLTB	AR*G18LLTA AR*G18LLTB
		
AS*G07LJCA AS*G09LJCA AS*G12LJCA	AS*G07LUCA AS*G09LUCA AS*G12LUCA AS*G14LUCA	AS*G07LMCA AS*G09LMCA AS*G12LMCA AS*G14LMCA
		
AS*G18LFCA AS*G24LFCA AS*G24LFCC	AB*G14LVTA AB*G18LVTA AB*G18LVTB	AG*G09LVCA AG*G12LVCA AG*G14LVCA
		
OUTDOOR UNIT		
AO*G14LAC2 AO*G18LAC2	AO*G18LAT3 AO*G24LAT3	AO*G30LAT4
		

● Indoor units that can be connected to each outdoor unit

●: Connectable / —: Not connectable

OUTDOOR	COMPACT CASSETTE	SLIM DUCT			WALL MOUNTED												FLOOR / CEILING		FLOOR								
					LJ			LU/LM				LF		AB*G14-18LVTA AB*G18LVTB		AG*G09-14LVCA											
					07	09	12	07	09	12	07	09	12	14	18	24	14	18	09	12	14						
	AU*G07-18LVLA AU*G12-18LVLB	AR*G07-18LLTA AR*G12-18LLTB			AS*G07-12LJCA			AS*G07-14LUCA AS*G07-14LMCA				AS*G18-24LFCA AS*G24LFCC		AB*G14-18LVTA AB*G18LVTB		AG*G09-14LVCA											
	Btu Class	07	09	12	14	18	07	09	12	14	18	07	09	12	07	09	12	14	18	24	14	18	09	12	14		
	kW Class	2.0	2.5	3.5	4.0	5.0	2.0	2.5	3.5	4.0	5.0	2.0	2.5	3.5	2.0	2.5	3.5	4.0	5.0	7.0	4.0	5.0	2.5	3.5	4.0		
2 Rooms	AO*G14LAC2	—	—	—	—	—	—	—	—	—	—	●	●	●	●	●	●	—	—	—	—	—	—	—	—	—	
	AO*G18LAC2	●	●	●	—	—	●	●	●	—	—	●	●	●	●	●	●	●	—	—	—	—	—	—	●	●	—
3 Rooms	AO*G18LAT3	●	●	●	●	—	●	●	●	●	—	●	●	●	●	●	●	●	—	—	●	—	●	—	●	●	●
	AO*G24LAT3	●	●	●	●	●	●	●	●	●	●	●	●	●	●	●	●	●	●	—	●	●	●	●	●	●	●
4 Rooms	AO*G30LAT4	●	●	●	●	●	●	●	●	●	●	●	●	●	●	●	●	●	●	●	●	●	●	●	●	●	●

INDOOR UNIT CONNECTION PATTERNS

● 2 Rooms

AO*G14LAC2			
No.	room 1	room 2	total
1	7	7	14
2	7	9	16
3	7	12	19
4	9	9	18
5	9	12	21

AO*G18LAC2			
No.	room 1	room 2	total
1	7	7	14
2	7	9	16
3	7	12	19
4	7	14	21
5	9	9	18
6	9	12	21
7	9	14	23
8	12	12	24

Notes) 7: 7000Btu/h, 9: 9000Btu/h, 12: 12000Btu/h, 14: 14000Btu/h models
 Where "14" means "Wall Mounted type" only models. Other types of indoor units cannot be connected.

● 3 Rooms

AO*G18LAT3				
No.	room 1	room 2	room 3	total
1	7	7	-	14
2	7	9	-	16
3	7	12	-	19
4	7	14	-	21
5	9	9	-	18
6	9	12	-	21
7	9	14	-	23
8	12	12	-	24
9	12	14	-	26
10	7	7	7	21
11	7	7	9	23
12	7	7	12	26
13	7	7	14	28
14	7	9	9	25
15	7	9	12	28
16	7	9	14	30
17	9	9	9	27
18	9	9	12	30

AO*G24LAT3				
No.	room 1	room 2	room 3	total
1	7	7	-	14
2	7	9	-	16
3	7	12	-	19
4	7	14	-	21
5	7	18	-	25
6	9	9	-	18
7	9	12	-	21
8	9	14	-	23
9	9	18	-	27
10	12	12	-	24
11	12	14	-	26
12	12	18	-	30
13	7	7	7	21
14	7	7	9	23
15	7	7	12	26
16	7	7	14	28
17	7	7	18	32
18	7	9	9	25
19	7	9	12	28
20	7	9	14	30
21	7	9	18	34
22	7	12	12	31
23	7	12	14	33
24	9	9	9	27
25	9	9	12	30
26	9	9	14	32
27*1	9	9	18	36
28	9	12	12	33
29	9	12	14	35
30	12	12	12	36

Notes) 7: 7000Btu/h, 9: 9000Btu/h, 12: 12000Btu/h, 14: 14000Btu/h, 18: 18000Btu/h models
 *1: When "AS*G18L" is connected, connect at least 1 wall mounted type of 9000Btu.

● 4 Rooms

AO*G30LAT4					
No.	room 1	room 2	room 3	room 4	total
1	7	7	14	-	28
2	7	7	18	-	32
3	7	7	24	-	38
4	7	9	12	-	28
5	7	9	14	-	30
6	7	9	18	-	34
7	7	9	24	-	40
8	7	12	12	-	31
9	7	12	14	-	33
10	7	12	18	-	37
11	7	12	24	-	43
12	7	14	14	-	35
13	7	14	18	-	39
14	7	14	24	-	45
15	7	18	18	-	43
16	7	18	24	-	49
17	9	9	9	-	27
18	9	9	12	-	30
19	9	9	14	-	32
20	9	9	18	-	36
21	9	9	24	-	42
22	9	12	12	-	33
23	9	12	14	-	35
24	9	12	18	-	39
25	9	12	24	-	45
26	9	14	14	-	37
27	9	14	18	-	41
28	9	14	24	-	47
29	9	18	18	-	45
30	12	12	12	-	36
31	12	12	14	-	38
32	12	12	18	-	42
33	12	12	24	-	48
34	12	14	14	-	40
35	12	14	18	-	44
36	12	18	18	-	48
37	7	7	7	7	28
38	7	7	7	9	30
39	7	7	7	12	33
40	7	7	7	14	35
41	7	7	7	18	39
42	7	7	9	9	32
43	7	7	9	12	35
44	7	7	9	14	37
45	7	7	9	18	41
46	7	7	12	12	38
47	7	7	12	14	40
48	7	7	12	18	44
49	7	7	14	14	42
50	7	7	14	18	46
51	7	9	9	9	34
52	7	9	9	12	37
53	7	9	9	14	39
54	7	9	9	18	43
55	7	9	12	12	40
56	7	9	12	14	42
57	7	9	12	18	46
58	7	9	14	14	44
59	7	9	14	18	48
60	7	12	12	12	43
61	7	12	12	14	45
62	7	12	12	18	49
63	7	12	14	14	47
64	9	9	9	9	36
65	9	9	9	12	39
66	9	9	9	14	41
67 *1	9	9	9	18	45
68	9	9	12	12	42
69	9	9	12	14	44
70 *2	9	9	12	18	48
71	9	9	14	14	46
72	9	12	12	12	45
73	9	12	12	14	47
74	9	12	14	14	49
75	12	12	12	12	48

Notes) 7: 7000Btu/h, 9: 9000Btu/h, 12: 12000Btu/h, 14: 14000Btu/h, 18: 18000Btu/h, 24: 24000Btu/h models

*1: Connection of "AR*G09L+AR*G09L+AR*G09L+AS*G18L " is not available. All types other than this combination can be connected.

*2: Connection of "AR*G09L+AR*G09L+AR*G12L+AS*G18L " is not available. All types other than this combination can be connected.

2. REMOTE CONTROLLER

2-1. WIRELESS REMOTE CONTROLLER

■ MODEL : AR-RAH2E / AR-RAH1E

■ FEATURES



- 4 mode timer setup available (ON / OFF / PROGRAM / SLEEP).
- Can be used jointly with wired remote controllers .
- Easy to change custom code (Max.4 custom codes) by button operation.

● Simple function setting

Setting of the air conditioner selection function is performed by remote controller.

● Built-in timers

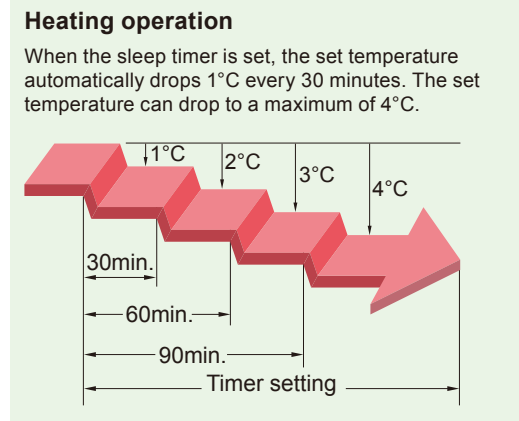
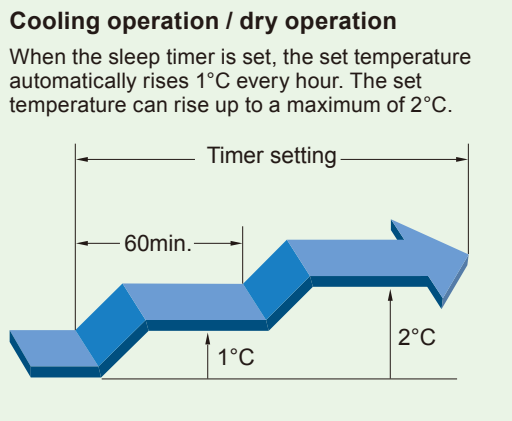
Select from four different timer programs (ON / OFF / PROGRAM / SLEEP).

● Program timer

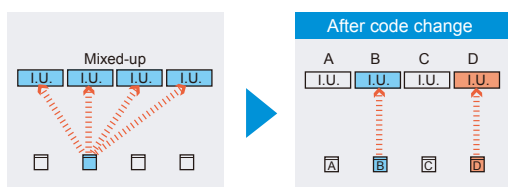
The program timer operates the ON and OFF timer once within a 24 hour period.

● Sleep timer

The sleep timer function automatically corrects the temperature thermostat setting according to the time setting to prevent excessive cooling and heating while sleeping.



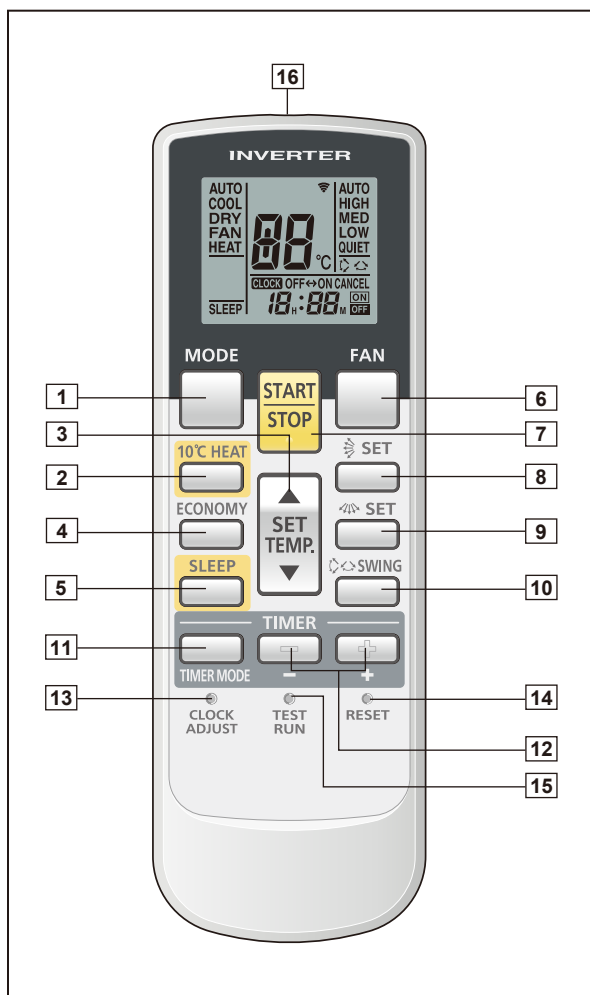
● Switching remote controller custom code



- Code selector switch eliminates units being wrongly switched.
(Up to 4 custom codes can be set.)

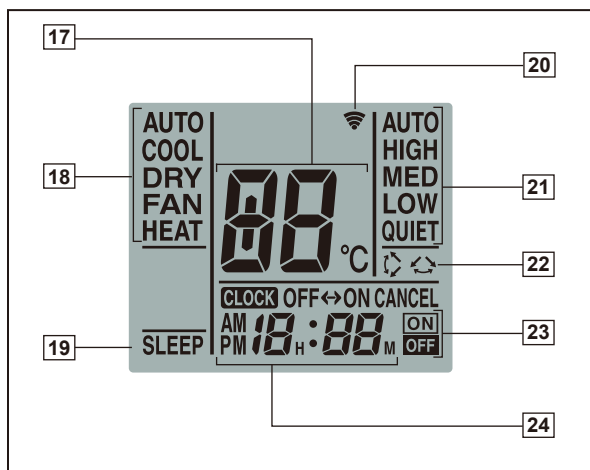
*I.U.=Indoor unit

FUNCTIONS [Wall mounted(LF), Floor/Ceiling type]



- 1 MODE button
Selects the operating mode (AUTO, COOL, DRY, FAN, HEAT). /Start / end R.C. custom code change. (Max. 4 custom codes)
- 2 10°C HEAT button
- 3 SET TEMP. button (▲ / ▼)
Sets the indoor temp./ Sets R.C. custom code.
- 4 ECONOMY button
- 5 SLEEP button
Pressed to select sleep timer.
- 6 FAN button
Selects the fan speed (AUTO, HIGH, MED, LOW, QUIET).
- 7 START/STOP button
Pressed to start and stop operation.
- 8 SET button (Vertical)
Airflow direction vertical set button.
- 9 SET button (Horizontal)
Airflow direction horizontal set button.
- 10 SWING button
Airflow direction swing button.
- 11 TIMER MODE button
Pressed to select the timer mode. (OFF TIMER, ON TIMER, PROGRAM TIMER, TIMER RESET)
- 12 TIMER (+ / -) button
Sets the current time and on-off time.
- 13 CLOCK ADJUST button
Sets the current time.
- 14 RESET button
Used when replacing batteries.
- 15 TEST RUN button
Used when testing the air conditioner after installation.

Display panel

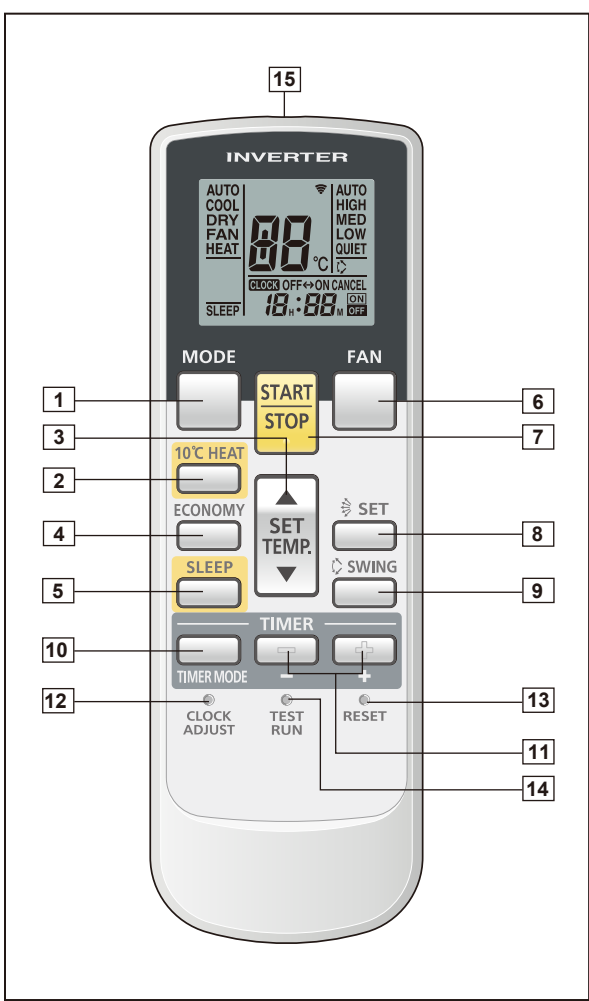


- 16 Signal transmitter
- 17 Temperature set indicator
- 18 Operating mode indicator
- 19 Sleep indicator
- 20 Transmit indicator
- 21 Fan speed indicator
- 22 Swing indicator
- 23 Timer mode indicator
- 24 Clock indicator

NOTE: Some button operations may not be available for all units or systems. For details, please see operation manual.

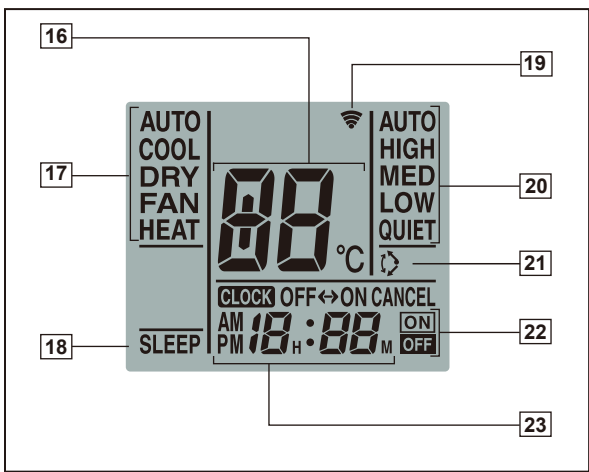
FUNCTIONS

[Compact cassette, Wall mounted (LJ), Floor type]



- 1 MODE button
Selects the operating mode (AUTO, COOL, DRY, FAN, HEAT). /Start / end R.C. custom code change. (Max. 4 custom codes)
- 2 10°C HEAT button
- 3 SET TEMP. button (▲ / ▼)
Sets the indoor temp./ Sets R.C. custom code.
- 4 ECONOMY button
- 5 SLEEP button
Pressed to select sleep timer.
- 6 FAN button
Selects the fan speed (AUTO, HIGH, MED, LOW, QUIET).
- 7 START/STOP button
Pressed to start and stop operation.
- 8 SET button (Vertical)
Airflow direction vertical set button.
- 9 SWING button
Airflow direction swing button.
- 10 TIMER MODE button
Pressed to select the timer mode. (OFF TIMER, ON TIMER, PROGRAM TIMER, TIMER RESET)
- 11 TIMER (+ / -) button
Sets the current time and on-off time.
- 12 CLOCK ADJUST button
Sets the current time.
- 13 RESET button
Used when replacing batteries.
- 14 TEST RUN button
Used when testing the air conditioner after installation.

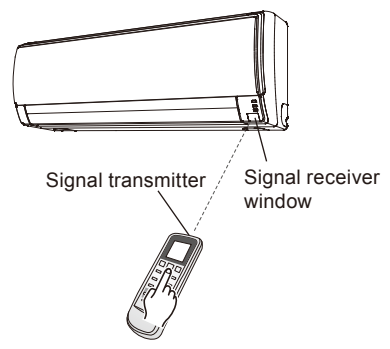
Display panel



- 15 Signal transmitter
- 16 Temperature set indicator
- 17 Operating mode indicator
- 18 Sleep indicator
- 19 Transmit indicator
- 20 Fan speed indicator
- 21 Swing indicator
- 22 Timer mode indicator
- 23 Clock indicator

NOTE: Functions will be different due to type of indoor unit.
For details, please see operation manual.

SYSTEM DIAGRAM

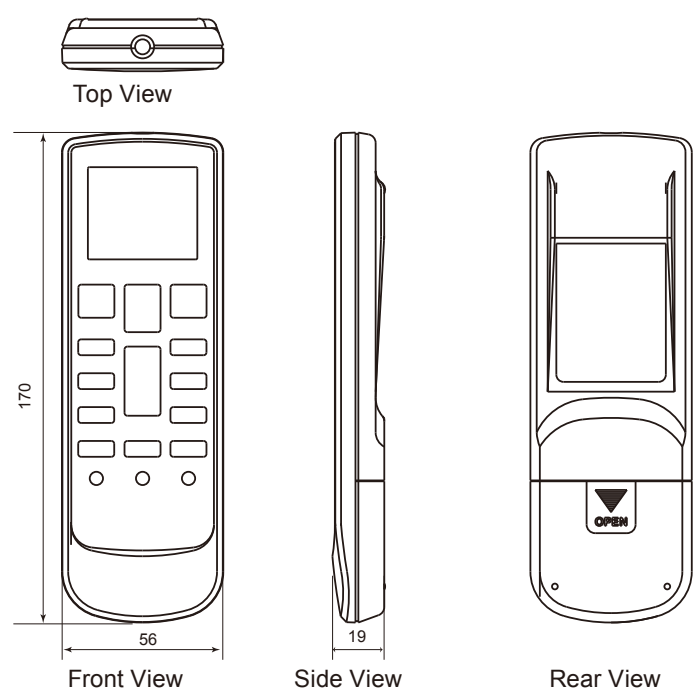


- Control signal might not be recognized in following cases:
 - (i) A curtain or a wall, etc. exists between transmitter and receiver.
 - (ii) There is an instant-start type (inverter type, etc.) fluorescent lamp in the room.
- Air conditioner might not work correctly when strong light hits the signal receiver window. Shut off the direct sunlight and also make illuminator far away from the receiver window.

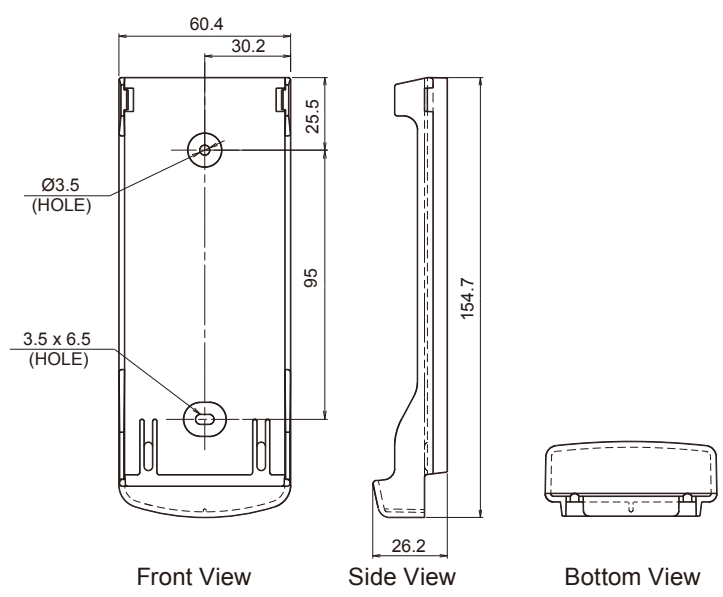
DIMENSIONS

Controller


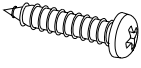

[Unit : mm]



Holder



■ PACKING LIST

Name and shape	Quantity	Application
Remote controller holder 	1	Use as remote controller holder
Tapping screw 	2	For remote controller holder installation
Battery [1.5V (R03 / AAA)] 	2	For remote controller

■ SPECIFICATIONS

Dimensions [H x W x D]: (mm)	170 x 56 x 19
Weight : (g)	85 [w/o batteries]

MODEL : AR-REA2E

FEATURES



- * 5 mode timer setup available (ON / OFF / WEEKLY / PROGRAM / SLEEP).
- * Easy operation.
- * Easy to change custom code (Max. 4 custom codes) by button operation.

Simple function setting

Setting of the air conditioner selection function is performed by remote controller.

Built-in timers

Select from five different timer programs (On / Off / Weekly / Program / Sleep).

Weekly timer

Weekly timer can be easily set by wireless remote controller. ON, OFF can be set up to 4 times in 1 day and up to 28 times in 1 week.

Program timer

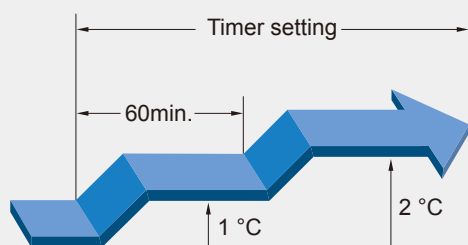
The program timer operates the ON and OFF timer once within a 24 hour period.

Sleep timer

The sleep timer function automatically corrects the temperature thermostat setting according to the timer setting to prevent excessive cooling and heating while sleeping.

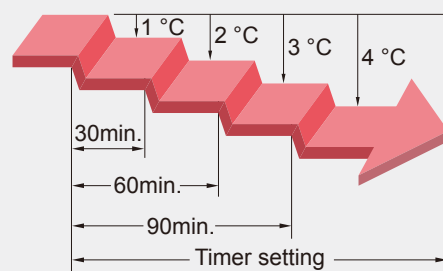
Cooling operation/dry operation

When the sleep timer is set, the set temperature automatically rises 1 °C every hour. The set temperature can rise up to a maximum of 2 °C.

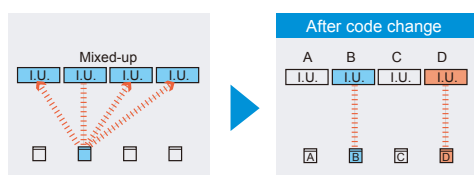


Heating operation

When the sleep timer is set, the set temperature automatically drops 1 °C every 30 minutes. The set temperature can drop to a maximum of 4 °C.



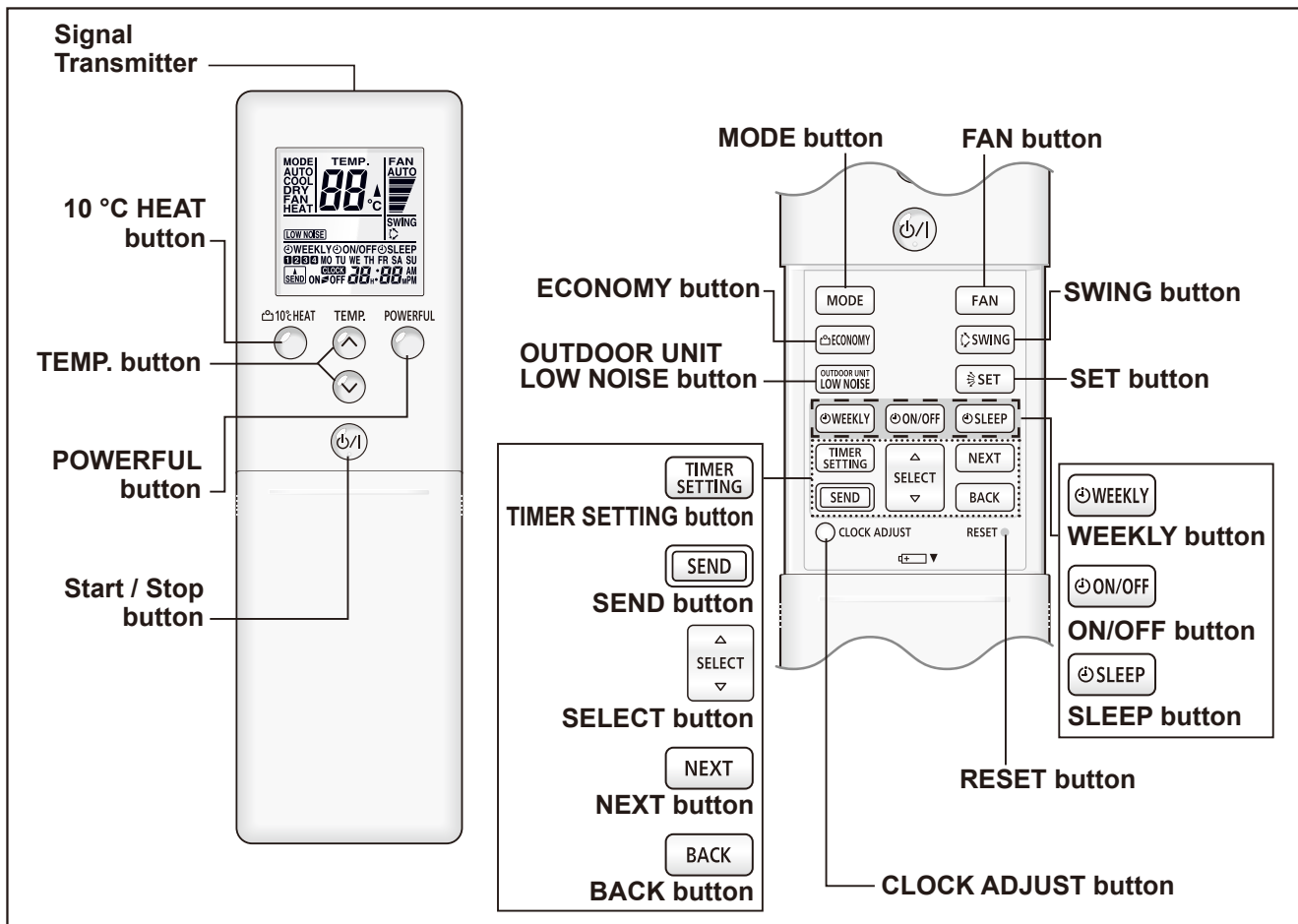
Switching remote controller custom code



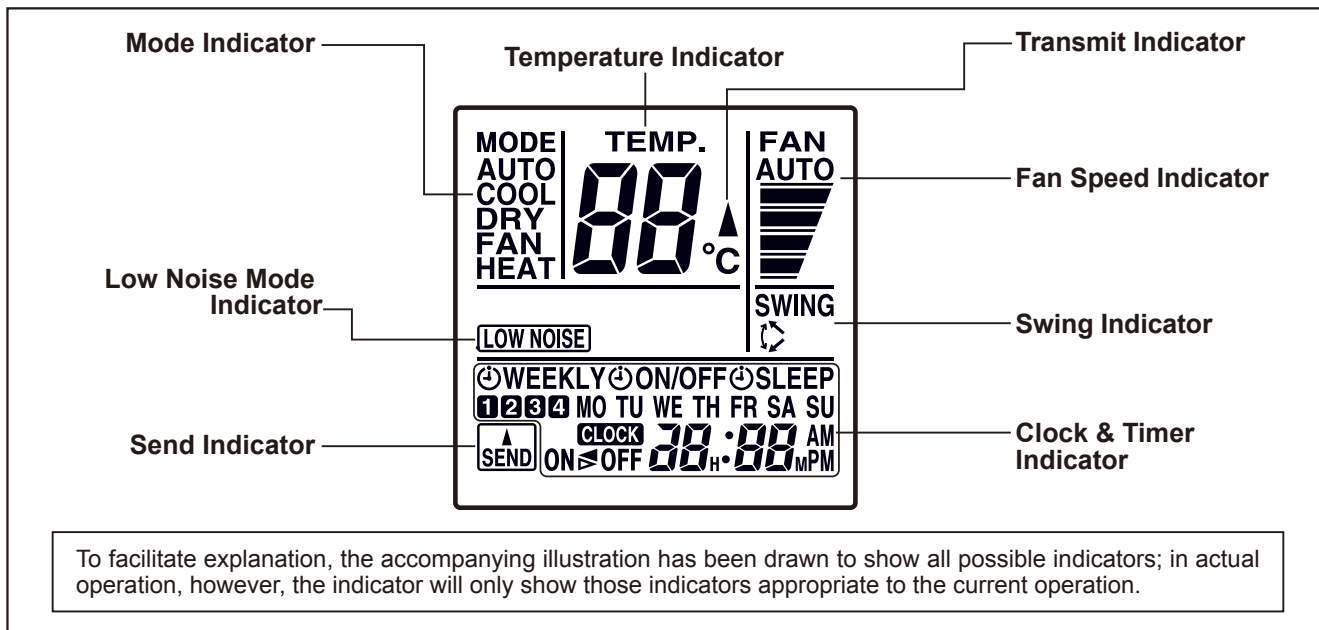
- Code selector switch eliminates units being wrongly switched.
(Up to 4 custom codes can be set.)

*I.U.=Indoor unit

FUNCTIONS [Wall mounted (LU) type]



Display panel



NOTE: Functions will be different due to type of indoor unit.
For details, please see operation manual.

■ MODEL: AR-REB1E

■ FEATURES



- * 4 mode timer setup available (ON / OFF / PROGRAM / SLEEP).
- * Easy operation.
- * Easy to change custom code (Max. 4 custom codes) by button operation.

● Simple function setting

Setting of the air conditioner selection function is performed by remote controller.

● Built-in timers

Select from four different timer programs (On / Off / Program / Sleep).

● Program timer

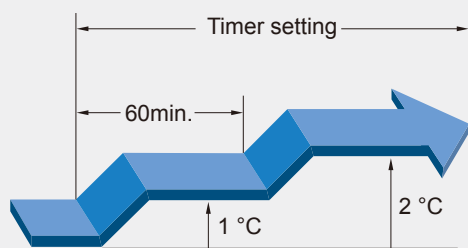
The program timer operates the ON and OFF timer once within a 24 hour period.

● Sleep timer

The sleep timer function automatically corrects the temperature thermostat setting according to the timer setting to prevent excessive cooling and heating while sleeping.

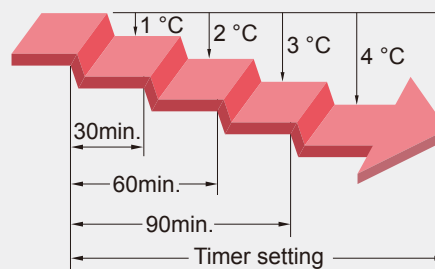
Cooling operation/dry operation

When the sleep timer is set, the set temperature automatically rises 1 °C every hour. The set temperature can rise up to a maximum of 2 °C.

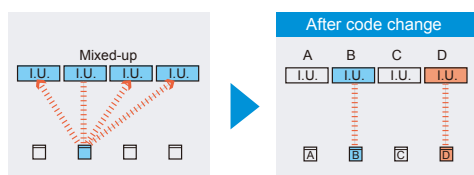


Heating operation

When the sleep timer is set, the set temperature automatically drops 1 °C every 30 minutes. The set temperature can drop to a maximum of 4 °C.



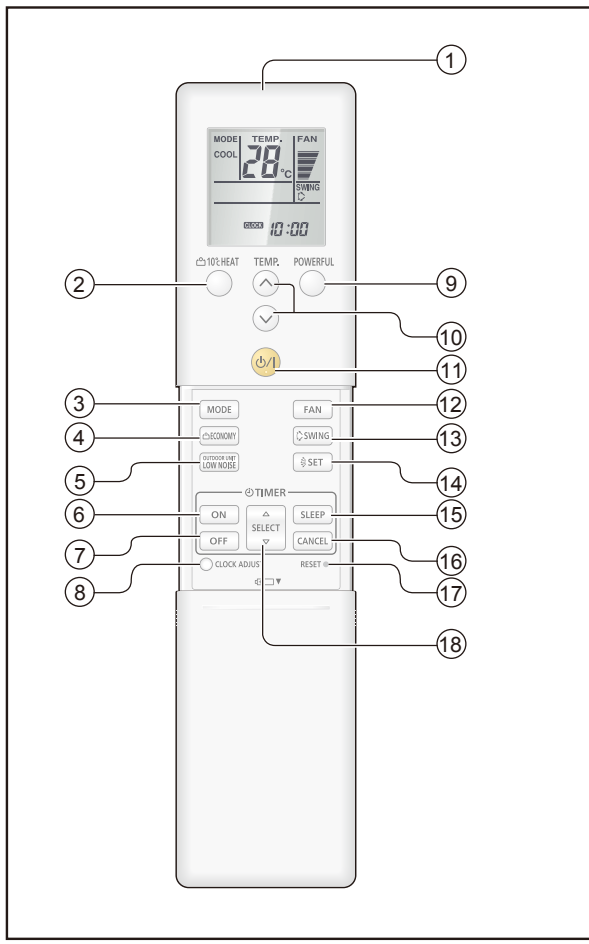
● Switching remote controller custom code



- Code selector switch eliminates units being wrongly switched.
(Up to 4 custom codes can be set.)

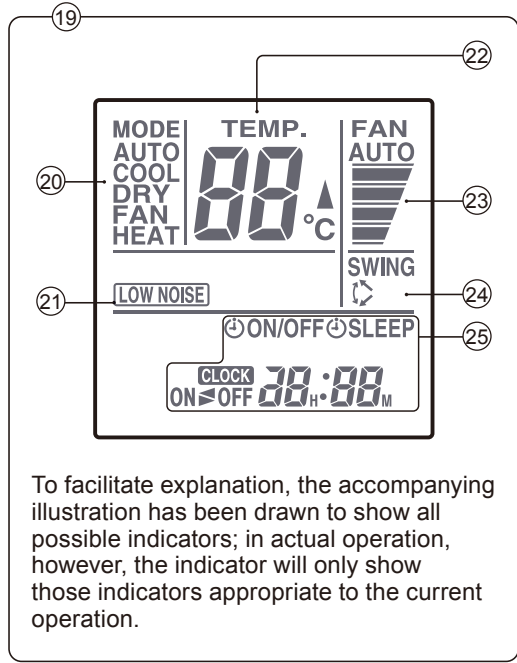
*I.U.=Indoor unit

FUNCTIONS [Wall mounted (LM) type]



- ① Signal Transmitter
- ② 10 °C HEAT button
- ③ MODE button
- ④ ECONOMY button
- ⑤ OUTDOOR UNIT LOW NOISE button
- ⑥ ON TIMER button
- ⑦ OFF TIMER button
- ⑧ CLOCK ADJUST button
- ⑨ POWERFUL button
- ⑩ TEMP. Set button (▲ / ▼)
- ⑪ Start/Stop button
- ⑫ FAN button
- ⑬ SWING button
- ⑭ SET button
- ⑮ SLEEP TIMER button
- ⑯ CANCEL button
- ⑰ RESET button
- ⑱ TIMER SELECT button (▲ / ▼)

Display panel

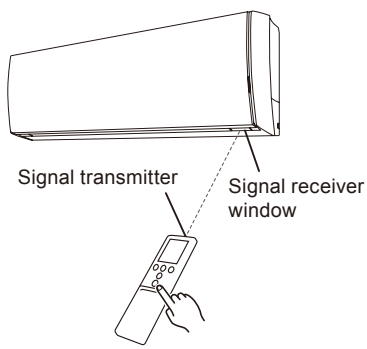


- ⑲ Remote Controller Display
- ⑳ Operation Mode Indicator
- ㉑ Low Noise Mode Indicator
- ㉒ Temperature Set Indicator
- ㉓ Fan Speed Indicator
- ㉔ Swing Indicator
- ㉕ Clock & Timer Indicator

To facilitate explanation, the accompanying illustration has been drawn to show all possible indicators; in actual operation, however, the indicator will only show those indicators appropriate to the current operation.

NOTE: Functions will be different due to type of indoor unit. For details, please see operation manual.

SYSTEM DIAGRAM (AR-REA2E, AR-REB1E)

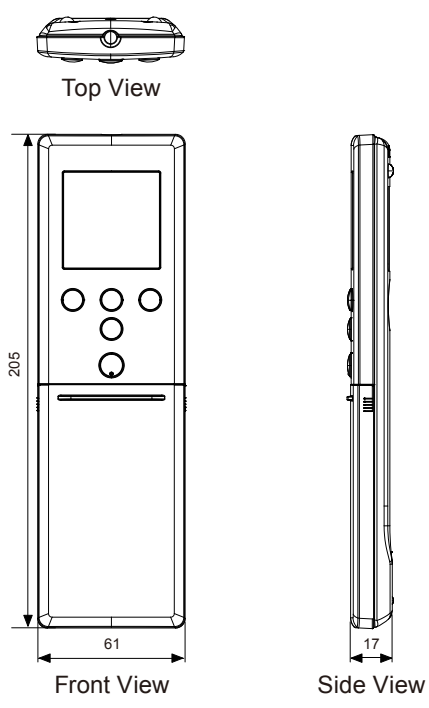


- Control signal may not be recognized in following cases:
 - (i) A curtain or a wall, etc. exists between transmitter and receiver.
 - (ii) There is an instant-start type (inverter type, etc.) fluorescent lamp in the room.
- Air conditioner may not work correctly when strong light hits the signal receiver window. Shut off direct sunlight and also place illuminator far away from the receiver window.

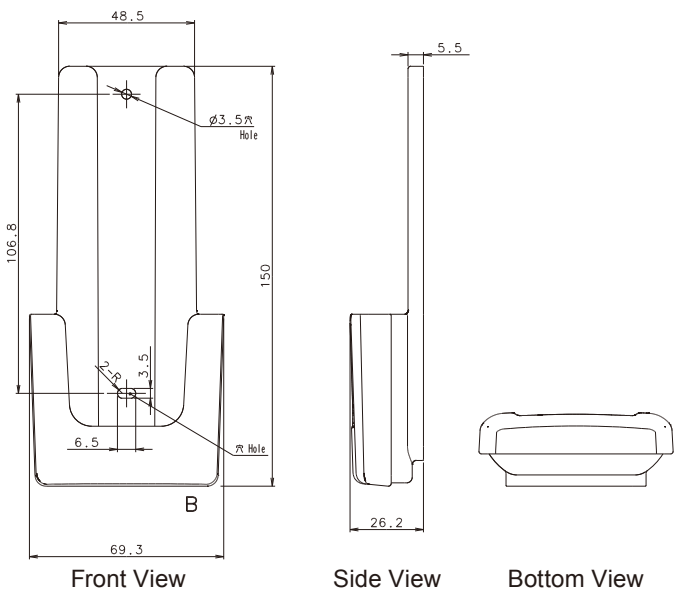
DIMENSIONS

● Controller



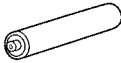
[Unit : mm]



● Holder



■ PACKING LIST

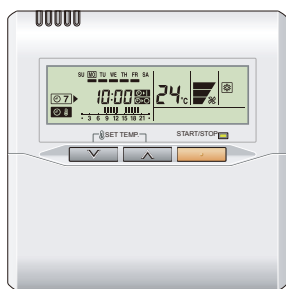
Name and shape	Quantity	Application
Remote controller holder 	1	Use as remote controller holder
Tapping screw 	2	For remote controller holder installation
Battery [1.5V (R03 / AAA)] 	2	For remote controller

■ SPECIFICATIONS

Dimensions [H x W x D]: (mm)	205 x 61 x 17
Weight : (g)	122 [w/o batteries]

2-2. WIRED REMOTE CONTROLLER [For Slim duct type]

FEATURES



- Various timer setup available (ON / OFF / WEEKLY).
- Equipped with weekly timer as standard function. (Start / Stop function is twice per day for a week)
- When setting up the timer, start / stop and temperature setup can be changed.
- When a failure occurs, the error code is displayed.
- Error history. (Last 16 error codes can be accessed.)
- The room temperature is detected and controlled accurately by the built-in thermo sensor.

Powerful features and compact size

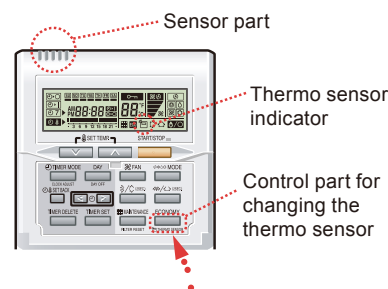


Accurate and comfortable

Indoor temperature can be detected accurately by the inclusion of a thermo sensor in the body of the wired controller.

Our system can correspond to various scenes.

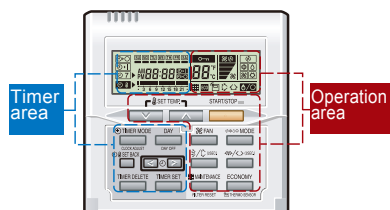
This wired remote controller and the optional remote sensor allows flexibility in sensor location, and suitable for all requirements.



Built-in timers

Weekly timer	Setback timer
<p>Possible to set ON/OFF time to operate twice each day of the week.</p> <p>Easy-to-understand time bar indicator</p> <p>Screen after setup</p> <p>Example : setup screen (Set to Wednesday: 8:00 to 20:00.)</p>	<p>Possible to set temperature for two time spans and for each day of the week.</p> <p>Example : setup screen (Set from Sunday to Saturday: 12:00 to 15:00, 28 °C.)</p>
<p>At "Weekly timer" + "Set back timer" setup</p>	

Easy-to-understand operation

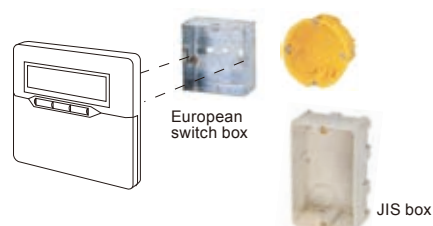


[Variable timer control]

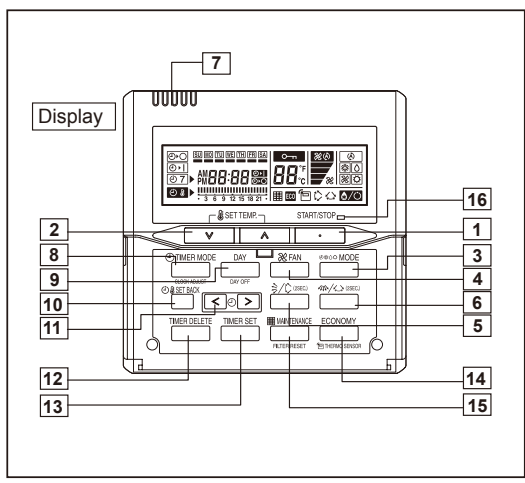
The operation/display sections are zoned according to time and operation, enabling variable programming to match application.

Simple installation

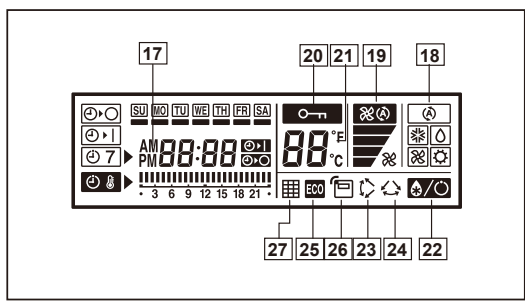
Components are compatible with standard switch boxes. Flat back surface allows equipment to be installed wherever it is needed.



FUNCTIONS



Display panel

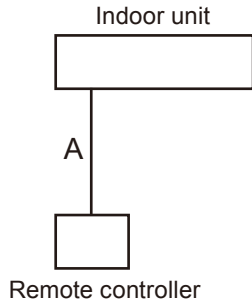


- 1 START/STOP button
Pressed to start and stop operation.
- 2 SET TEMP. button
Selects the setting temperature.
- 3 MODE button
Selects the operating mode (AUTO (A), COOL (❄️), DRY (☁️), FAN (🌀), HEAT (🔥)).
- 4 FAN button
Selects the fan speed (AUTO (🌀), HIGH (🌀), MED (🌀), LOW (🌀), QUIET (🌀)).
- 5 Vertical air flow direction and swing button
Press for two seconds to change the swing mode
- 6 Horizontal air flow direction and swing button
Press for two seconds to change the swing mode.
- 7 Built-in thermo sensor
Detects the room temperature.
- 8 TIMER MODE (CLOCK ADJUST) button
Selects the timer mode (OFF TIMER, ON TIMER, WEEKLY TIMER)
Sets the current time.
- 9 DAY (DAY OFF) button
Temporarily cancels one day timer.
- 10 SET BACK button
Pressed to select the set back timer.
- 11 SET TIME button
Pressed to set time.
- 12 TIMER DELETE button
Deletes the weekly timer schedule.
- 13 TIMER SET button
Sets the date, hour, minute and on-off time.
- 14 ECONOMY (THERMO SENSOR) button
- 15 FILTER RESET button
- 16 Operation lamp
Lights during operation and when the timer is on.
- 17 Timer and clock indicator
- 18 Operation mode indicator
- 19 Fan speed indicator
- 20 Operation lock indicator
- 21 Temperature indicator
Displayed temperature is set temperature.
- 22 Defrost indicator
Indicates oil recovery and defrosting operation.
- 23 Vertical swing indicator
- 24 Horizontal swing indicator
- 25 Economy indicator
- 26 Thermo sensor indicator
- 27 Filter indicator

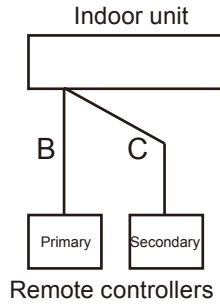
NOTE: Functions will be different due to type of indoor unit.
For details, please see operation manual.

SYSTEM DIAGRAM

● 1 remote controller



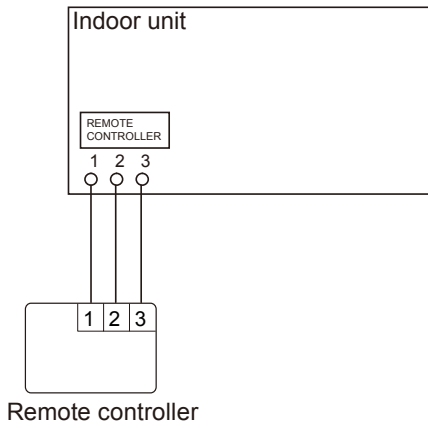
● 2 remote controllers



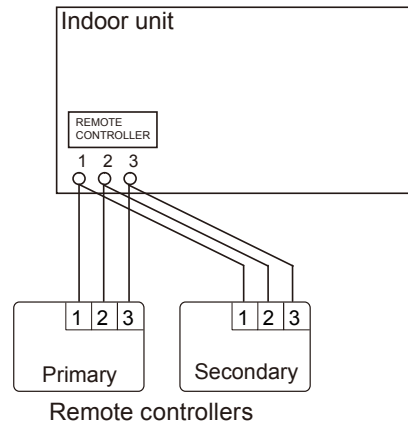
A, B, C : Remote controller cable.
 $A \leq 500m$; $B+C \leq 500m$

ELECTRICAL WIRING

● 1 remote controller

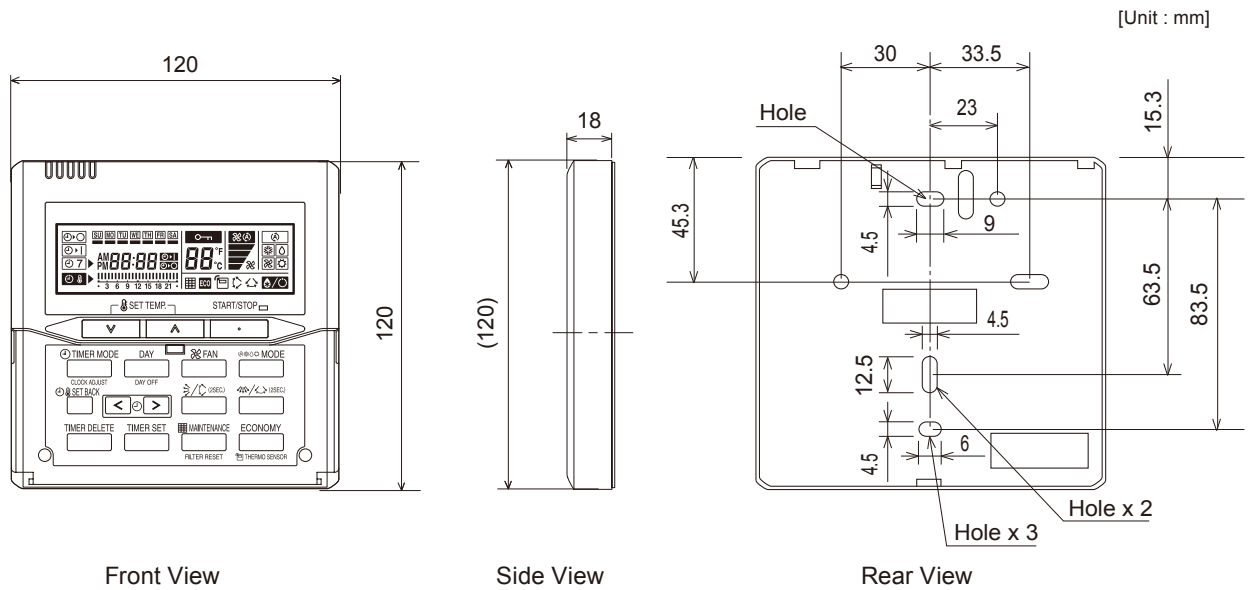


● 2 remote controllers



1 (RED) : 12V
 2 (WHITE) : Signal
 3 (BLACK) : COM

DIMENSIONS



■ INSTALLATION

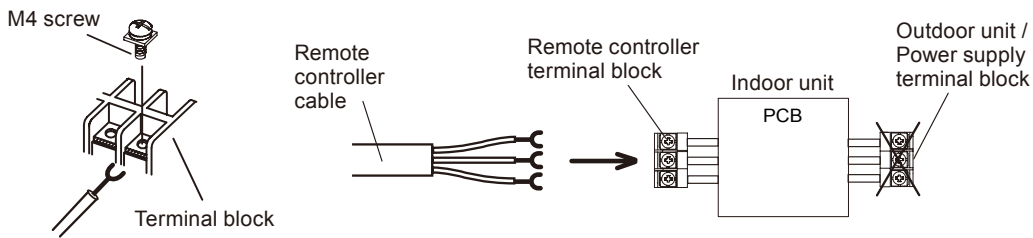
● Connection Pattern

Note: Connection pattern is different according to type of Indoor unit.

Indoor unit types	Connection Pattern	
Compact Cassette type	Pattern A	
Slim Duct type		
Floor / Ceiling type		
Wall Mounted type	LJ	Pattern B
	LU	
	LM	
	LF	
Floor type	Pattern C	

● Pattern A

Connect the end of remote controller cable directly to the exclusive terminal block.

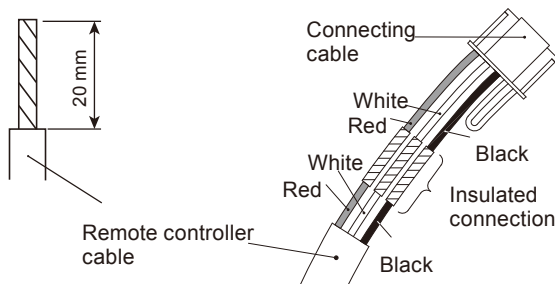


Note: It may be failed if it is connected to the outdoor unit or the terminal block for power supply.

● Pattern B

1) Modify the remote controller cable as per below methods.

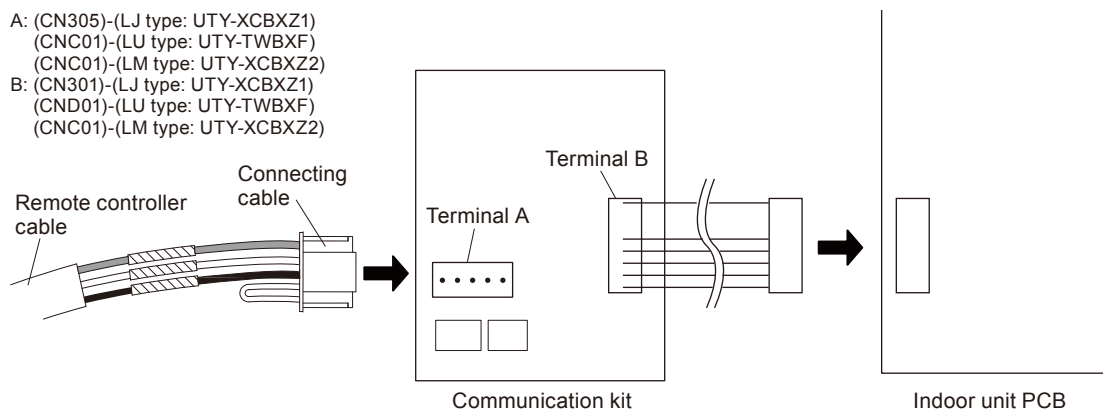
- Use a tool to cut off the terminal on the end of the remote controller cable and then remove the insulation from the cut end of the cable as shown in Fig.
- Connect the remote controller cable and connecting cable as shown in Fig.
- Be sure to insulate the connection between the cables.



2) Method of connecting remote controller cable

- Connecting cable made by above-mentioned 1) is connected with Terminal A of optional communication kit .
- Cable connected with Terminal B of communication kit is connected with PCB of Indoor unit.

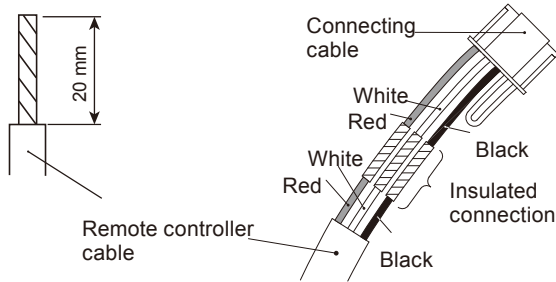
A: (CN305)-(LJ type: UTY-XCBXZ1)
(CNC01)-(LU type: UTY-TWBXF)
(CNC01)-(LM type: UTY-XCBXZ2)
B: (CN301)-(LJ type: UTY-XCBXZ1)
(CND01)-(LU type: UTY-TWBXF)
(CNC01)-(LM type: UTY-XCBXZ2)



● **Pattern C**

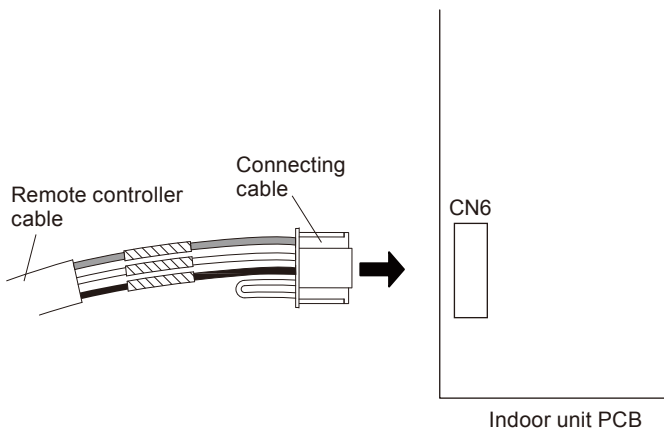
1) Modify the remote controller cable as per below methods.

- Use a tool to cut off the terminal on the end of the remote controller cable and then remove the insulation from the cut end of the cable as shown in Fig.
- Connect the remote controller cable and connecting cable as shown in Fig.
- Be sure to insulate the connection between the cables.






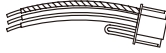
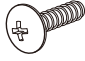



2) Method of connecting remote controller cable

- Connecting cable made by above-mentioned 1) is connected with PCB of Indoor unit.



■ PACKING LIST

Name and shape	Quantity	Application
Operating manual 	1	
Installation manual 	1	
Remote controller cable (10m) 	1	For connecting the remote controller
Screw (M4 x 16mm) 	2	For installing the remote controller
Cable tie 	1	To tie the remote controller and cables
Connecting cable *1 	1	For connecting the remote controller cable to the Wall mounted type indoor unit
Screw *1 (M4 x 14mm) 	1	For installing the remote controller cable to the indoor unit
Cable clammer *1 	1	For installing the remote controller cable to the indoor unit

*1: Use only if the remote controller cable must be modified for the indoor unit model.

■ WIRING SPECIFICATIONS

Use	Cable size	Wire type	Remarks
Remote controller cable	0.33 mm ² (22 AWG)	Polar 3 core	Use sheathed PVC cable

■ SPECIFICATIONS

Dimensions [H x W x D]: (mm)	120 x 120 x 18
Weight: (g)	160

■ PART (OPTIONAL)

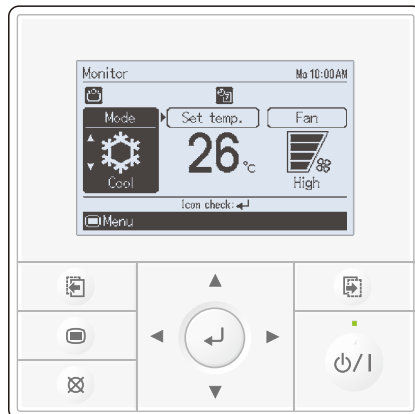
	Wall mounted		
Model name	AS*G07LJCA AS*G09LJCA AS*G12LJCA	AS*G07LUCA AS*G09LUCA AS*G12LUCA AS*G14LUCA	AS*G07LMCA AS*G09LMCA AS*G12LMCA AS*G14LMCA
	UTY-XCBXZ1	UTY-TWBXF	UTY-XCBXZ2

*The communication kit is necessary for connecting the wired remote controller to the Wall mounted type.

2-3. WIRED REMOTE CONTROLLER (Optional parts)

■ MODEL: UTY-RVN*M

- Large and full-dot liquid crystal screen
- Screen with backlight can be seen even in the dark
- Wide and large keys easy to press, user-intuitive arrow key



■ FEATURES

● Individual Control

- Installation of two remote controllers are possible to one indoor unit.

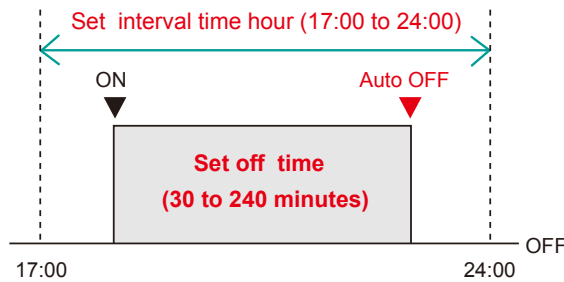
● User-friendly operation

- Large backlight LED screen
- Large easy-to-see operation panel
- Multiple Language Supporting
(English, German, French, Spanish, Russian, Portuguese, Italian, Greek and Turkish)

MAIN FUNCTIONS

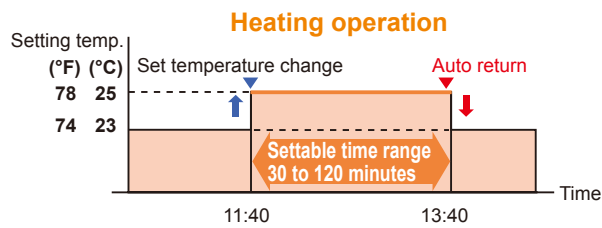
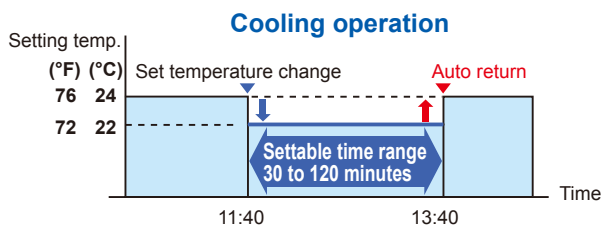
● Auto off timer

Ex) At interval time hour (17:00 to 24:00) to prevent forgetting to turn off



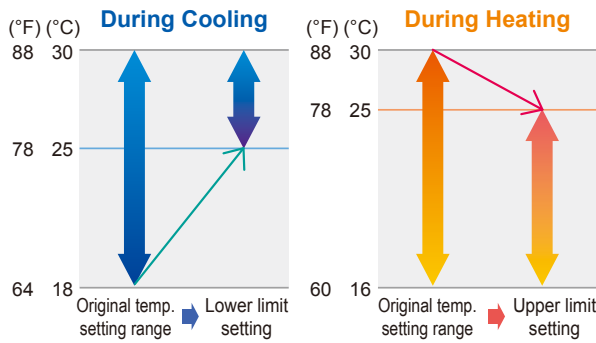
- The indoor unit automatically turns off after a set time has passed.
- The time interval for which auto off works can be set.

● Set temperature auto return



- The setting temperature automatically returns to the previous setting temperature.
- The time range in which the set temperature can be changed is 30 to 120 minutes.

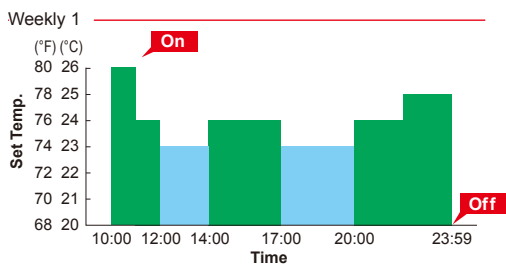
● Set temperature upper and lower limit setting



- The set temperature range can be set for each operation mode. (Cooling / Heating / Auto)

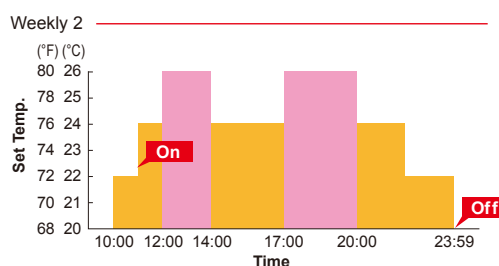
● Weekly timer function

- Not only time setting On/Off, but also setting of the operation mode and set temperature can be set by Weekly timer function.
Two types of settings: Weekly 1 and Weekly 2 for summer and winter are possible.



Setting menu in remote controller

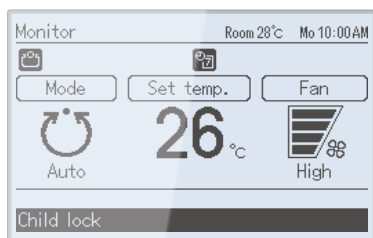
Weekly timer setting		Su 10:00AM
Weekly 1		
Day	1 10:00 AM	On Cool 26°C
Time	2 11:00 AM	On Cool 24°C
Time	3 12:00 AM	On Cool 23°C
End	4 2:00 PM	On Cool 24°C



Setting menu in remote controller

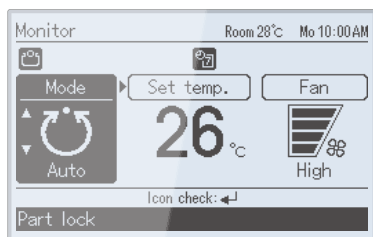
Weekly timer setting		Su 10:00AM
Weekly 2		
Day	1 10:00 AM	On Heat 22°C
Time	2 11:00 AM	On Heat 24°C
Time	3 12:00 AM	On Heat 26°C
End	4 2:00 PM	On Heat 24°C

● Child lock



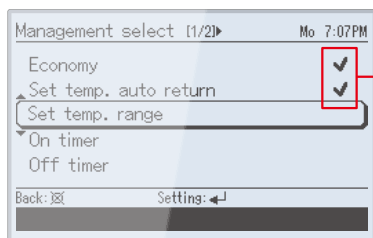
- This function locks all control.

● Part lock



- This function locks the setting of functions other than Mode, Set temp. and Fan.

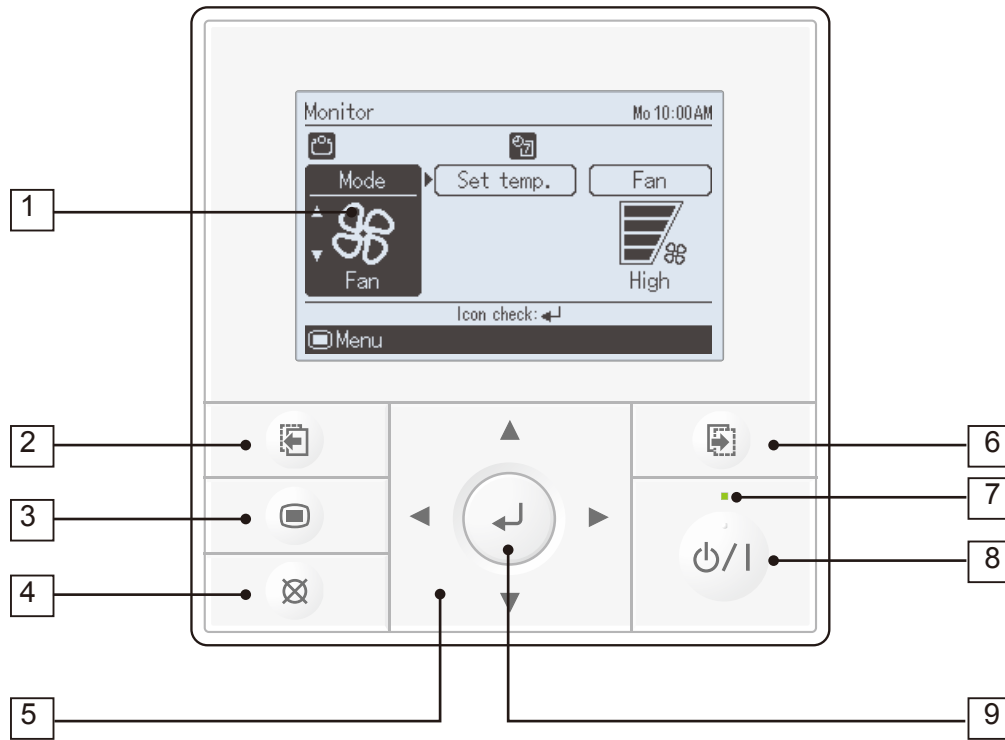
● Management (Password)



Functions with this mark are restricted.

- Unwanted functions can be restricted.
- Password is necessary to operate.

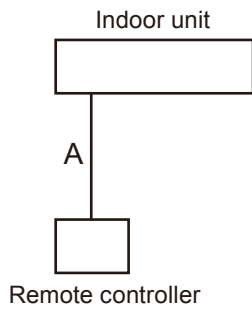
FUNCTIONS



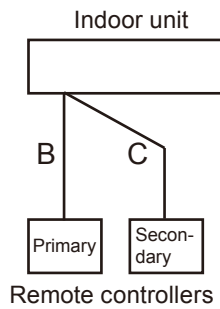
- | | | | |
|---|--------------------------------|---|------------------------------|
| 1 | Display panel (with backlight) | 6 | Screen switch button (Right) |
| 2 | Screen switch button (Left) | 7 | Power indicator |
| 3 | Menu button | 8 | On / Off button |
| 4 | Cancel button | 9 | Enter button |
| 5 | Cursor button | | |

SYSTEM DIAGRAM

● 1 remote controller



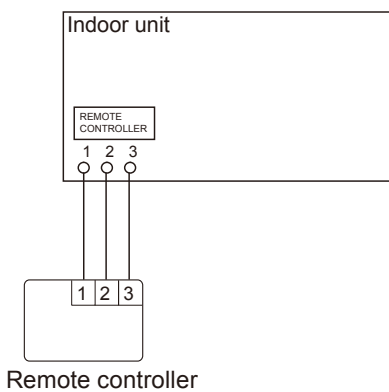
● 2 remote controllers



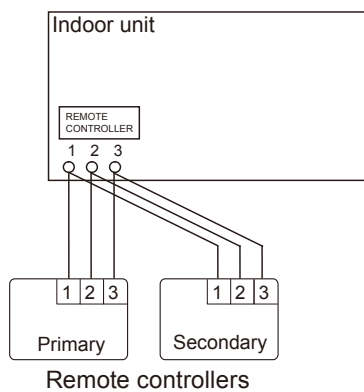
A , B , C : Remote controller cable.

ELECTRICAL WIRING

● 1 remote controller



● 2 remote controllers

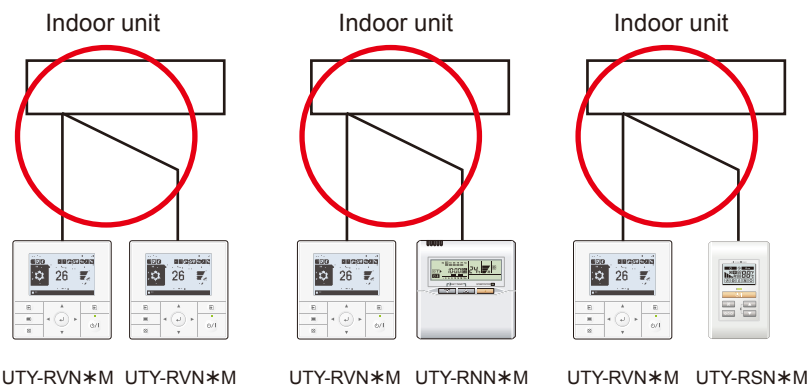


1 (RED) : 12V
2 (WHITE) : Signal
3 (BLACK) : COM

CONTROLLER COMBINATION

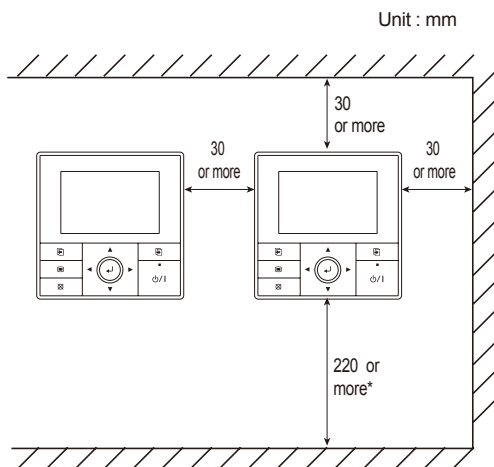
As for the combined usage of remote controllers, refer to following figures.

● Good



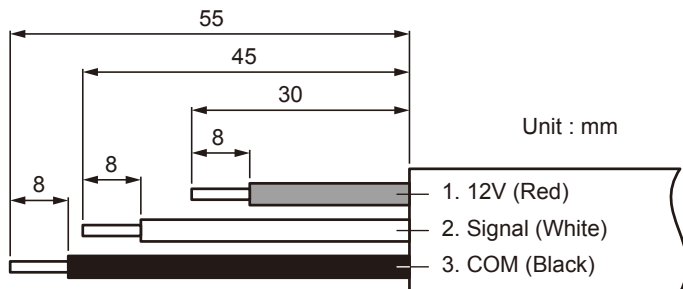
■ INSTALLATION

1) Installation space.

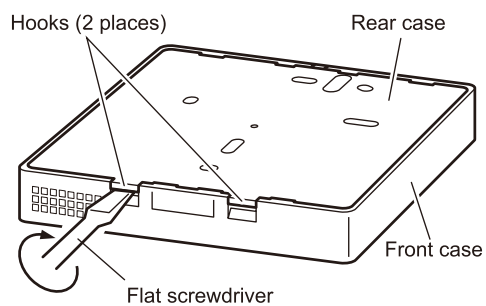


* Please secure enough space where a flat screwdriver to take off a case can be inserted.

2) Processing of the remote controller cable.



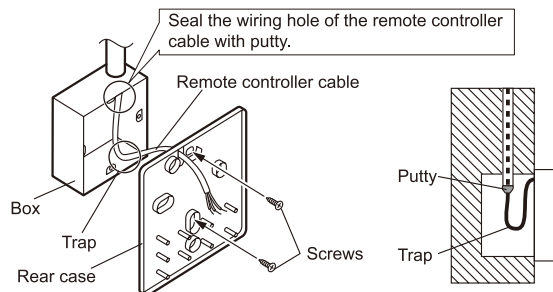
3) Insert the flat-blade screwdriver and remove the front case and rear case by twisting it slightly.



4) Installing the remote controller

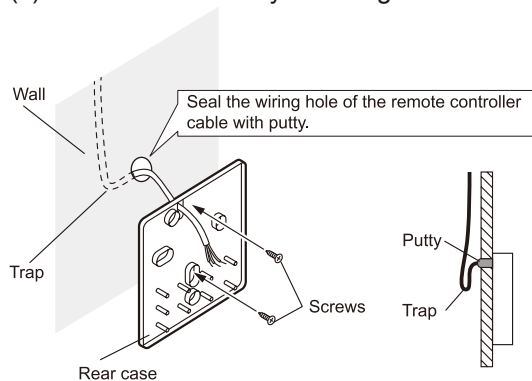
A. When attaching to switch box:

- (1) Seal the wiring hole of the remote controller cable.
- (2) Put a remote controller cable through the hole of the rear case.
- (3) Fix the rear case by securing it with attached screws (2 places).



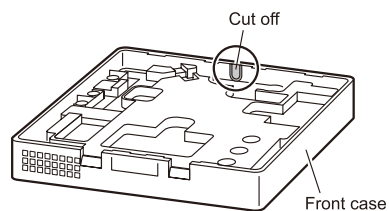
B. When attaching to the wall directly:

- (1) Seal the wiring hole of the remote controller cable.
- (2) Put a remote controller cable through the back hole of the rear case of the main body.
- (3) Fix the rear case by securing it with attached screws (2 places).

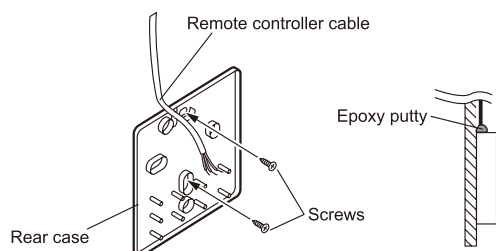


C. When routing the cable on-wall:

- (1) Cut off the cable guide of the front case with using a knife or a nipper.
- (2) Deburr the edge of the cable guide.

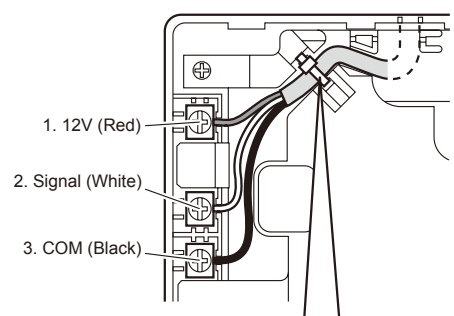


- (3) Fix the rear case by securing it with attached screws (2 places).



5) Connect the cable to the terminals on the front case. Fix the cable together with the sheath with the cable tie. Cut off the excess cable tie.

Tightening torque	
Terminal screw	0.8 to 1.2N • m



To avoid an excessive tension or pressure to the terminal block, fix the remote controller cable with the cable tie properly.

Cable tie
Remote controller cable (sheath)
Hole for cable tie

GOOD 2 mm

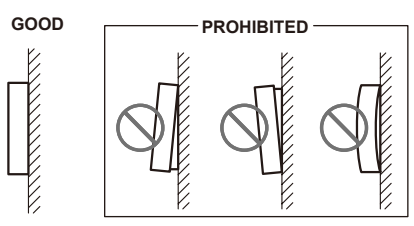
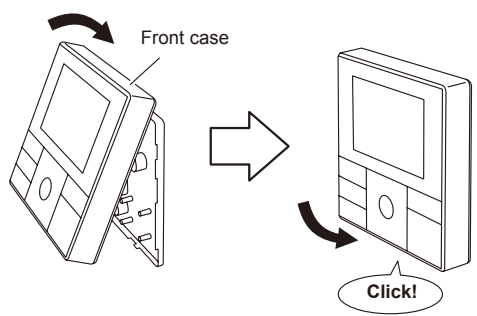
PROHIBITED

⚠ CAUTION

- Be careful to avoid breaking the cable by over-tightening the cable tie.
- When connecting the remote controller cables, do not over-tighten the screws.

6) Attach the front case.

- Insert after adjusting upper part of front case.
- When insert the front case, do not pinch the cable.



⚠ CAUTION

- Insert the upper case firmly. If improperly attached, it will cause the upper case to fall off.

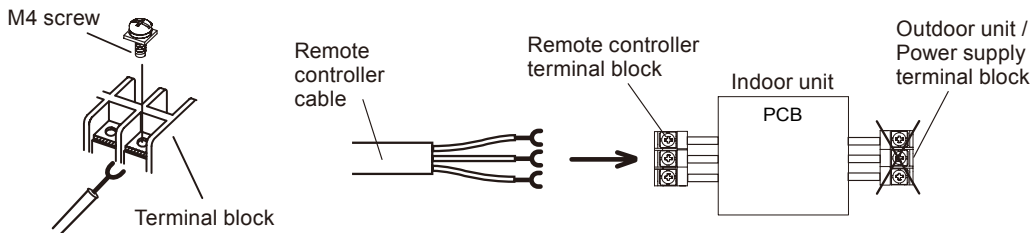
● Connection Pattern

Note: Connection pattern is different according to type of Indoor unit.

Indoor unit types		Connection Pattern
Compact Cassette type		Pattern A
Slim Duct type		
Floor / Ceiling type		
Wall Mounted type	LJ	Pattern B
	LU	
	LM	
	LF	
Floor type		Pattern C

● Pattern A

Connect the end of remote controller cable directly to the exclusive terminal block.

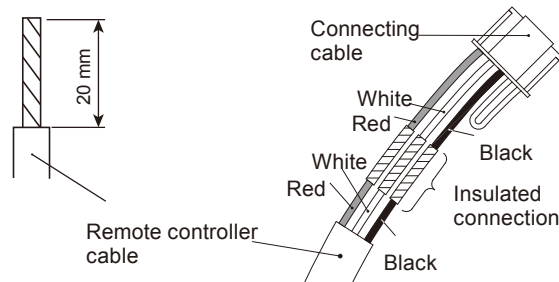


Note: It may be failed if it is connected to the outdoor unit or the terminal block for power supply.

● Pattern B

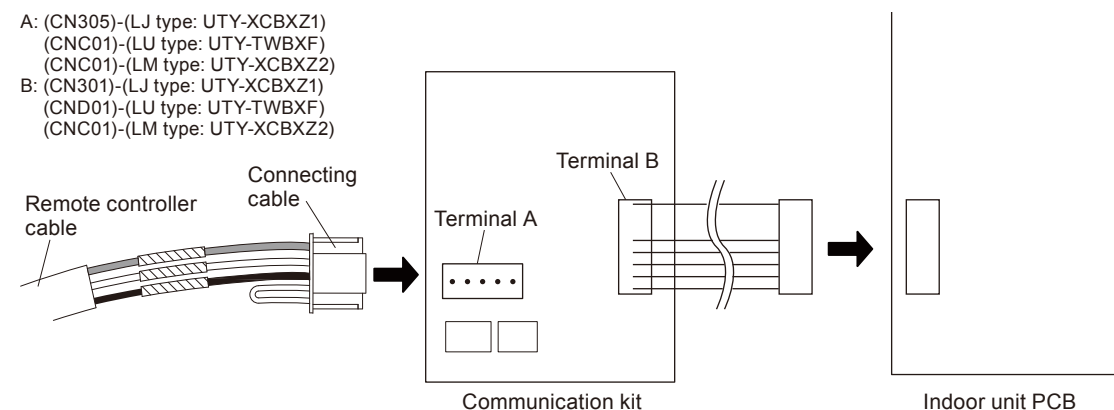
1) Modify the remote controller cable as per below methods.

- Use a tool to cut off the terminal on the end of the remote controller cable and then remove the insulation from the cut end of the cable as shown in Fig.
- Connect the remote controller cable and connecting cable as shown in Fig.
- Be sure to insulate the connection between the cables.



2) Method of connecting remote controller cable

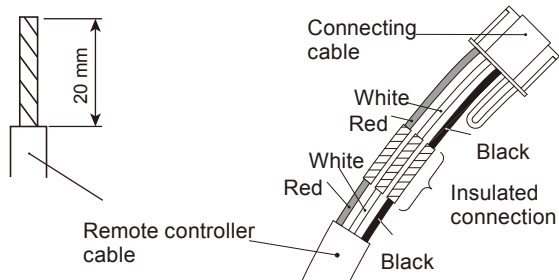
- Connecting cable made by above-mentioned 1) is connected with Terminal A of optional communication kit.
- Cable connected with Terminal B of communication kit is connected with PCB of Indoor unit.



● Pattern C

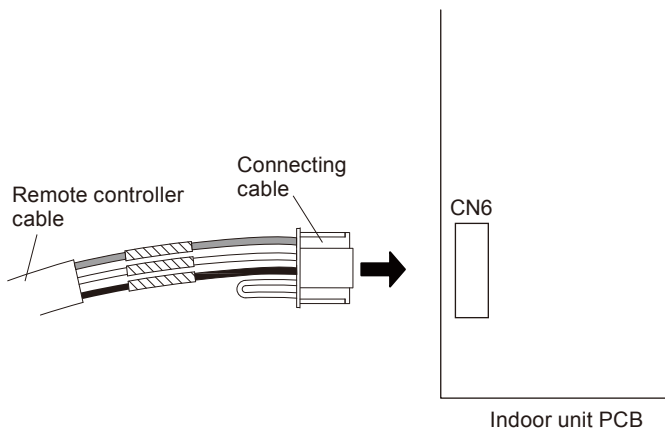
1) Modify the remote controller cable as per below methods.

- Use a tool to cut off the terminal on the end of the remote controller cable and then remove the insulation from the cut end of the cable as shown in Fig.
- Connect the remote controller cable and connecting cable as shown in Fig.
- Be sure to insulate the connection between the cables.



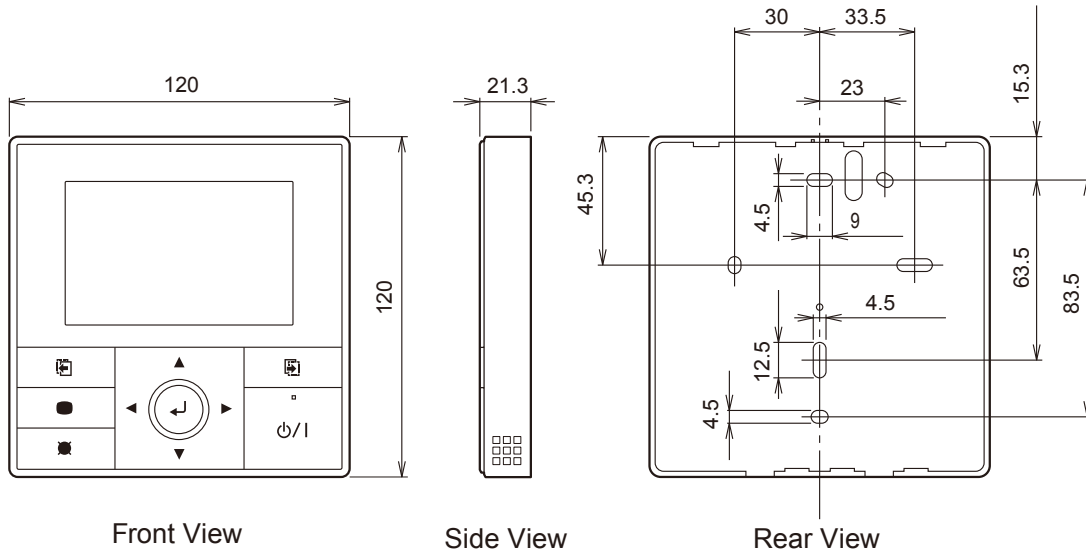
2) Method of connecting remote controller cable

- Connecting cable made by above-mentioned 1) is connected with PCB of Indoor unit.



■ DIMENSIONS

Unit : mm



■ PACKING LIST

Name and shape	Q'ty	Summary
Operating manual	1	Instruction book for operation
Installation manual	1	Instruction book for installation
Remote controller cable	1	For connecting the remote controller
Connecting cable	1	For connecting the remote controller cable to the wall mounted type.
Screw (M4 × 16 mm)	2	For installing the remote controller
Cable tie	1	To tie the remote controller and cables
Screw (M4 × 14 mm)	1	For installing the remote controller cable to the indoor unit
Cable clasper	1	For installing the remote controller cable to the indoor unit

■ WIRING SPECIFICATIONS

Use	Cable size	Wire type	Remarks
Remote controller cable	0.33 mm ² (22AWG)	Polar 3 core	Use sheathed PVC cable

■ SPECIFICATIONS

Dimensions [H x W x D]: mm	120 x 120 x 21.3
Weight: g	220

■ PART (OPTIONAL)

	Wall mounted		
Model name	AS*G07LJCA AS*G09LJCA AS*G12LJCA	AS*G07LUCA AS*G09LUCA AS*G12LUCA AS*G14LUCA	AS*G07LMCA AS*G09LMCA AS*G12LMCA AS*G14LMCA
	UTY-XCBXZ1	UTY-TWBXF	UTY-XCBXZ2

*The communication kit is necessary for connecting the wired remote controller to the Wall mounted type.

3. SPECIFICATIONS

3-1. COMPACT CASSETTE TYPE

Model name			AU*G07LVLA	AU*G09LVLA	AU*G12LVLA AU*G12LVLB	AU*G14LVLA AU*G14LVLB	AU*G18LVLA AU*G18LVLB	
Power source			1ø 230V ~ 50Hz					
Available voltage range			198-264V					
Capacity			2.0kW Class	2.5kW Class	3.5kW Class	4.0kW Class	5.0kW Class	
Input power		W	18	18	23	28	39	
Running current		A	0.15	0.15	0.19	0.22	0.30	
Fan	Airflow rate	Cooling	High	540	540	610	680	750
			Med	490	490	530	580	610
			Low	440	440	470	490	520
			Quiet	390	390	410	410	410
		Heating	High	540	540	610	700	800
			Med	490	490	530	620	710
			Low	440	440	470	550	600
			Quiet	390	390	410	430	450
	Type × Q'ty		Turbo × 1					
	Motor Output		W	42				
Sound pressure level *	Cooling	High	33	33	37	40	42	
		Med	31	31	33	35	37	
		Low	29	29	31	32	33	
		Quiet	27	27	28	29	29	
	Heating	High	34	34	37	40	44	
		Med	32	32	33	37	40	
		Low	29	29	31	34	37	
		Quiet	27	27	28	29	30	
Sound power level		Cooling	46	46	49	52	54	
		Heating	47	47	49	52	56	
Heat exchanger	Dimension (H × W × D)		mm					
	Fin pitch		210 × 1310 × 13.3 + 210 × 1250 × 13.3					
	Rows × Stages		1.2					
	Pipe type		2 × 10					
	Fin Type		Copper tube					
Dimensions (H × W × D)	Net		mm					
	Gross		245×570×570					
Weight	Net		kg					
	Gross		15					
Connection pipe	Size	Liquid	mm					
		Gas	Ø6.35 (Ø1/4in.)					
	Method		Ø9.52 (Ø3/8in.) Ø12.7 (Ø1/2in.)					
Operation range	Cooling		°C					
			18 to 32					
			%RH					
		80 or less						
Heating		°C						
		16 to 30						
Drain hose	Material		HARD PVC					
	Size		mm					
		Φ25 (I.D.), Φ32 (O.D.)						
Cassette grille	Model name		UTG-UF*D-W					
	Material		PS					
	Colour		WHITE (Approximate colour of MUNSELL N9.25)					
	Dimensions (H × W × D)	Net		mm				
		Gross		49 × 700 × 700				
	Weight	Net		kg				
Gross		120 × 765 × 755						
		2.6						
		4.5						
Remote controller type			Wireless [Wired (option)]					

NOTE: The protective function may work when using it outside the operation range.

*: These are the measured values in the manufacturer's anechoic chamber.

Because of the surrounding sound environment, the sound levels measured in actual installation conditions might be higher than the specified values here.

3-2. SLIM DUCT TYPE

Model name			AR*G07LLTA	AR*G09LLTA	AR*G12LLTA AR*G12LLTB	AR*G14LLTA AR*G14LLTB	AR*G18LLTA AR*G18LLTB	
Power source			1ø 230V ~ 50Hz					
Available voltage range			198-264V					
Capacity			2.0kW Class	2.5kW Class	3.5kW Class	4.0kW Class	5.0kW Class	
Input power		W	33	49	58	76	73	
Running current		A	0.33	0.30	0.35	0.51	0.44	
Fan	Airflow rate	Cooling	High	550	600	650	800	940
			Med	490	550	600	700	880
			Low	470	500	550	600	820
			Quiet	440	450	480	480	750
		Heating	High	550	600	650	800	940
			Med	490	550	600	700	880
			Low	470	500	550	600	820
			Quiet	440	450	480	480	750
	Type × Q'ty		Sirocco × 2					Sirocco × 3
	Motor output		W	80	81			96
Recommended static pressure		Pa	0 to 90					
Sound pressure level *	Cooling	High	28	28	29	32	32	
		Med	26	27	28	30	31	
		Low	25	26	27	28	30	
		Quiet	24	25	26	26	29	
	Heating	High	28	28	29	33	33	
		Med	26	26	28	30	32	
		Low	25	25	27	28	31	
		Quiet	24	24	24	25	29	
Sound power level		Cooling	57	57	58	60	58	
		Heating	57	57	58	61	59	
Heat exchanger	Dimension (H × W × D)		mm	294 × 500 × 26.6	294 × 500 × 39.9		294 × 700 × 39.9	
	Fin pitch		1.3					
	Rows × Stages			2 × 14	3 × 14			
	Pipe type		Copper tube					
	Fin Type		Aluminium					
Enclosure	Material		GALVANIZED STEEL SHEET					
	Colour		-					
Dimensions (H × W × D)	Net		mm	198 × 700 × 620			198 × 900 × 620	
	Gross			276 × 968 × 772			276 × 1168 × 772	
Weight	Net		kg	17	19		23	
	Gross			24	26		30	
Connection pipe	Size	Liquid	mm	Ø6.35 (Ø1/4in.)				
		Gas		Ø9.52 (Ø3/8in.)		Ø12.7 (Ø1/2in.)		
	Method		Flare					
Drain hose	Material		HARD PVC					
	size		mm	Φ25 (I.D.), Φ32 (O.D.)				
Operation range	Cooling	°C	18 to 32					
		%RH	80 or less					
	Heating	°C	16 to 30					
		Remote controller type		Wired [Wireless (option)]				

NOTE: Specifications are based on the following conditions.

Static Pressure : 25Pa

The protective function may work when using it outside the operation range.

*: These are the measured values in the manufacturer's anechoic chamber.

Because of the surrounding sound environment, the sound levels measured in actual installation conditions might be higher than the specified values here.

3-3. WALL MOUNTED TYPE

Model name			AS*G07LJCA	AS*G09LJCA	AS*G12LJCA	
Power source			1ø 230V ~ 50Hz			
Available voltage range			198-264V			
Capacity			2.0kW Class	2.5kW Class	3.5kW Class	
Input power		W	15	17	22	
Running current		A	0.13	0.15	0.19	
Fan	Airflow rate	Cooling	High	560	600	660
			Med	500	520	560
			Low	430	430	450
			Quiet	310	310	310
		Heating	High	560	600	660
			Med	500	520	560
			Low	430	430	470
			Quiet	330	330	330
	Type × Q'ty		Crossflow ×1			
	Motor output		W	30		
Sound pressure level *	Cooling	High	36	37	40	
		Med	32	33	36	
		Low	29	29	30	
		Quiet	21	21	21	
	Heating	High	36	37	40	
		Med	32	33	36	
		Low	29	29	31	
		Quiet	22	22	22	
Sound power level		Cooling	51	52	54	
		Heating	51	52	54	
Heat exchanger	Dimension (H × W × D)		mm	Main: 320 × 630 × 20 Sub: 84 × 630 × 13.3		
	Fin pitch			Main: 1.1, Sub:1.4		
	Rows × Stages			Main: 2 × 20, Sub:1 × 4		
	Pipe type			Copper tube		
Fin Type		Aluminium				
Enclosure	Material		Polystyrene			
	Colour		WHITE (Approximate colour of MUNSELL N9.25)			
Dimensions (H × W × D)	Net		mm	280 × 790 × 203		
	Gross			263 × 840 × 375		
Weight	Net		kg	8		
	Gross			10.5		
Connection pipe	Size	Liquid	mm	Ø6.35 (Ø1/4in.)		
		Gas		Ø9.52 (Ø3/8in.)		
	Method		Flare			
Drain hose	Material		PP+LLDPE			
	size		mm	Φ13.8 (I.D.), Φ15.8 to 16.7 (O.D.)		
Operation range	Cooling	°C	18 to 32			
		%RH	80 or less			
	Heating	°C	16 to 30			
Remote controller type			Wireless [Wired (option)]			

NOTE: The protective function may work when using it outside the operation range.

*: These are the measured values in the manufacturer's anechoic chamber.

Because of the surrounding sound environment, the sound levels measured in actual installation conditions might be higher than the specified values here.

Model name				AS*G07LUCA	AS*G09LUCA	AS*G12LUCA	AS*G14LUCA	
Power source				1ø 230V ~ 50Hz				
Available voltage range				198-264V				
Capacity				2.0kW Class	2.5kW Class	3.5kW Class	4.0kW Class	
Input power			W	13	16	19	23	
Running current			A	0.13	0.14	0.17	0.20	
Fan	Airflow rate	Cooling	High	m ³ /h	570	600	660	710
			Med		520	550	600	640
			Low		470	470	530	570
			Quiet		330	330	330	390
		Heating	High		570	600	660	710
			Med		520	550	600	640
			Low		470	470	530	590
			Quiet		330	330	330	430
	Type × Q'ty			Crossflow x 1				
	Motor output			W	29			
Sound pressure level *	Cooling	High	dB(A)	35	36	37	41	
		Med		30	32	34	36	
		Low		28	28	31	33	
		Quiet		21	21	21	25	
	Heating	High		35	36	37	41	
		Med		30	32	34	36	
		Low		28	28	31	34	
		Quiet		21	21	21	27	
Sound power level		Cooling		53	54	55	59	
		Heating		53	54	55	59	
Heat exchanger	Dimensions (H × W × D)		mm	Main: 320 x 690 x 20 Sub: 84 x 690 x 13.3				
	Fin pitch			Main: 1.1 , Sub: 1.4				
	Rows x Stages			Main: 2 x 20 , Sub: 1 x 4				
	Pipe type			Copper tube				
	Fin type			Aluminium				
Enclosure	Material		Polystyrene					
	Colour		WHITE (Approximate colour of MUNSELL N9.3)					
Dimensions (H × W × D)	Net		mm	282 x 870 x 185				
	Gross			247 x 920 x 373				
Weight	Net		kg	9.5				
	Gross			12				
Connection pipe	Size	Liquid	mm	Ø6.35 (Ø1/4in)				
		Gas		Ø9.52 (Ø3/8in)		Ø12.7 (Ø1/2in)		
	Method			Flare				
Drain hose	Material		PP + LLDPE					
	Size		mm	Φ13.8 (I.D.), Φ15.8 to 16.7 (O.D.)				
Operation range	Cooling	°C	18 to 32					
		%RH	80 or less					
	Heating	°C	16 to 30					
Remote controller type				Wireless [Wired(option)]				

NOTE: The protective function may work when using it outside the operation range.

*: These are the measured values in the manufacturer's anechoic chamber.

Because of the surrounding sound environment, the sound levels measured in actual installation conditions might be higher than the specified values here.

Model name			AS*G07LMCA	AS*G09LMCA	AS*G12LMCA	AS*G14LMCA	
Power source			1ø 230V ~ 50Hz				
Available voltage range			198-264V				
Capacity			2.0kW Class	2.5kW Class	3.5kW Class	4.0kW Class	
Input power		W	15	17	22	28	
Running current		A	0.13	0.15	0.19	0.25	
Fan	Airflow rate	Cooling	High	560	600	660	730
			Med	500	520	560	600
			Low	430	430	450	530
			Quiet	310	310	310	360
		Heating	High	560	600	660	730
			Med	500	520	560	615
			Low	430	430	470	560
			Quiet	330	330	330	375
	Type × Q'ty		Crossflow × 1				
	Motor output		W	30			
Sound pressure level *	Cooling	High	36	37	40	42	
		Med	32	33	36	38	
		Low	29	29	30	33	
		Quiet	21	21	21	25	
	Heating	High	36	37	40	42	
		Med	32	33	36	38	
		Low	29	29	31	35	
		Quiet	22	22	22	27	
Sound power level		Cooling	51	52	54	56	
		Heating	51	52	55	57	
Heat exchanger	Dimensions (H × W × D)		mm	Main: 320 × 630 × 20 Sub: 84 × 630 × 13.3			
	Fin pitch			Main: 1.1, Sub: 1.4			
	Rows × Stages			Main: 2 × 20, Sub: 1 × 4			
	Pipe type			Copper tube			
Fin type		Aluminium					
Enclosure	Material		Polystyrene				
	Colour		WHITE (Approximate colour of MUNSELL N9.25)				
Dimensions (H × W × D)	Net		mm	268 × 840 × 203			
	Gross			270 × 884 × 336			
Weight	Net		kg	8.5			
	Gross			10.5			
Connection pipe	Size	Liquid	mm	Φ6.35 (Φ1/4in)			
		Gas		Φ9.52 (Φ3/8in)		Φ12.7 (Φ1/2in)	
	Method			Flare			
Drain hose	Material		PP+LLDPE				
	Size		mm	Φ13.8 (I.D.), Φ15.8 to 16.7 (O.D.)			
Operation range	Cooling	°C	18 to 32				
		%RH	80 or less				
	Heating	°C	16 to 30				
Remote controller type			Wireless [Wired (option)]				

NOTE: The protective function may work when using it outside the operation range.

*: These are the measured values in the manufacturer's anechoic chamber.

Because of the surrounding sound environment, the sound levels measured in actual installation conditions might be higher than the specified values here.

Model name			AS*G18LFCA	AS*G24LFCA	AS*G24LFCC	
Power source			1ø 230V ~ 50Hz			
Available voltage range			198-264V			
Capacity			5.0kW Class	7.0kW Class		
Input power		W	37	69		
Running current		A	0.33	0.53		
Fan	Airflow rate	Cooling	High	900	1120	
			Med	740	900	
			Low	620	740	
			Quiet	550	620	
		Heating	High	900	1100	
			Med	740	900	
			Low	620	740	
			Quiet	550	620	
	Type × Q'ty		Crossflow × 1			
	Motor output		W	42	42	65
Sound pressure level *	Cooling	High	43	49		
		Med	37	42		
		Low	33	37		
		Quiet	26	33		
	Heating	High	42	48		
		Med	37	42		
		Low	33	37		
		Quiet	25	33		
Sound power level	Cooling		58	64		
	Heating		58	64		
Heat exchanger	Dimension (H × W × D)		mm	Main: 378 x 832 x 26.6 Sub: 84 x 832 x 13.3		
	Fin pitch			Main:1.2, Sub:1.4		
	Rows × Stages		Main: 2 x 18, Sub: 1 x 4	Main: 2 x 18, Sub: 1 x 4 + 1 x 4		
	Pipe type		Copper tube			
	Fin Type		Aluminium			
Enclosure	Material		Polystyrene			
	Colour		WHITE (Approximate colour of MUNSELL N9.25)			
Dimensions (H × W × D)	Net		mm	320 × 998 × 238		
	Gross			329 × 1090 × 420		
Weight	Net		kg	14		
	Gross			18		
Connection pipe	Size	Liquid	mm	Ø6.35 (Ø1/4in.)		
		Gas		Ø12.70 (Ø1/2in.)	Ø15.88 (Ø5/8in.)	
	Method		Flare			
Drain hose	Material		PVC			
	size		mm	Φ12 (I.D.), Φ16 (O.D.)		
Operation range	Cooling	°C	18 to 32			
		%RH	80 or less			
	Heating	°C	16 to 30			
Remote controller type			Wireless [Wired (option)]			

NOTE: The protective function may work when using it outside the operation range.
 *: These are the measured values in the manufacturer's anechoic chamber.
 Because of the surrounding sound environment, the sound levels measured in actual installation conditions might be higher than the specified values here.

3-4. FLOOR / CEILING TYPE

Model name			AB*G14LVTA	AB*G18LVTA AB*G18LVTB	
Power source			1ø 230V ~ 50Hz		
Available voltage range			198-264V		
Capacity			4.0kW Class	5.0kW Class	
Input power		W	26	47	
Running current		A	0.21	0.36	
Fan	Airflow rate	Cooling	High	640	780
			Med	590	700
			Low	540	560
			Quiet	480	500
		Heating	High	640	780
			Med	590	700
			Low	540	560
			Quiet	480	500
	Type × Q'ty		Sirocco x 2		
	Motor output		W	80	
Sound pressure level *	Cooling	High	36 (Under ceiling)	41 (Under ceiling)	
			39 (Floor console)	44 (Floor console)	
			34 (Under ceiling)	38 (Under ceiling)	
			37 (Floor console)	41 (Floor console)	
		Low	33 (Under ceiling)	34 (Under ceiling)	
			36 (Floor console)	37 (Floor console)	
			29 (Under ceiling)	32 (Under ceiling)	
			32 (Floor console)	35 (Floor console)	
	Heating	High	36 (Under ceiling)	41 (Under ceiling)	
			39 (Floor console)	44 (Floor console)	
			34 (Under ceiling)	38 (Under ceiling)	
			37 (Floor console)	41 (Floor console)	
		Low	33 (Under ceiling)	34 (Under ceiling)	
			36 (Floor console)	37 (Floor console)	
			29 (Under ceiling)	32 (Under ceiling)	
			32 (Floor console)	35 (Floor console)	
Sound power level		Cooling	51	55	
		Heating	51	55	
Heat exchanger	Dimension (H × W × D)		mm	252 × 800 × 26.6	252 × 800 × 39.9
	Fin pitch			1.2	1.3
	Rows × Stages			2 × 12	3 × 12
	Pipe type		Copper tube		
	Fin Type		Aluminium		
Enclosure	Material		ABS		
	Colour		WHITE (Approximate colour of MUNSELL N9.25)		
Dimensions (H × W × D)	Net		mm	199 × 990 × 655	
	Gross			320 × 1150 × 790	
Weight	Net		kg	27	
	Gross			36	
Connection pipe	Size	Liquid	mm	Ø6.35 (Ø1/4in.)	
		Gas		Ø12.70 (Ø1/2in.)	
	Method		Flare		
Drain hose	Material		Hard PVC		
	size		mm	Φ25 (I.D.), Φ32 (O.D.)	
Operation range	Cooling	°C	18 to 32		
		%RH	80 or less		
	Heating	°C	16 to 30		
Remote controller type			Wireless [Wired (option)]		

NOTE: The protective function may work when using it outside the operation range.

*: These are the measured values in the manufacturer's anechoic chamber.

Because of the surrounding sound environment, the sound levels measured in actual installation conditions might be higher than the specified values here.

3-5. FLOOR TYPE

Model name			AG*G09LVCA	AG*G12LVCA	AG*G14LVCA	
Power source			1ø 230V ~ 50Hz			
Available voltage range			198-264V			
Capacity			2.5kW Class	3.5kW Class	4.0kW Class	
Input power		W	16	20	23	
Running current		A	0.15	0.18	0.20	
Fan	Airflow rate	Cooling	High	530	600	650
			Med	440	490	520
			Low	360	380	400
			Quiet	270	270	270
		Heating	High	530	600	650
			Med	460	510	540
			Low	380	410	430
			Quiet	270	270	270
	Type × Q'ty		Crossflow × 2			
	Motor output		W	42		
Sound pressure level *	Cooling	High	39	42	44	
		Med	34	36	38	
		Low	28	30	31	
		Quiet	22	22	22	
	Heating	High	39	42	44	
		Med	35	38	39	
		Low	30	32	33	
		Quiet	22	22	22	
Sound power level		Cooling	52	55	56	
		Heating	52	55	56	
Heat exchanger	Dimension (H × W × D)		mm	378 × 550 × 26.6		
	Fin pitch			1.2		
	Rows × Stages			2 × 18		
	Pipe type			Copper tube		
		Fin Type		Aluminium		
Enclosure	Material		Polystyrene			
	Colour		WHITE (Approximate colour of MUNSELL N9.25)			
Dimensions (H × W × D)	Net		mm	600 × 740 × 200		
	Gross			700 × 820 × 310		
Weight	Net		kg	14		
	Gross			17		
Connection pipe	Size	Liquid	mm	Ø6.35 (Ø1/4in.)		
		Gas		Ø9.52 (Ø3/8in.)	Ø12.70 (Ø1/2in.)	
	Method		Flare			
Drain hose	Material		PVC			
	size		mm	Φ13.8 (I.D.), Φ16.7 (O.D.)		
Operation range	Cooling	°C	18 to 32			
		%RH	80 or less			
	Heating	°C	16 to 30			
Remote controller type			Wireless [Wired (option)]			

NOTE: The protective function may work when using it outside the operation range.

*: These are the measured values in the manufacturer's anechoic chamber.

Because of the surrounding sound environment, the sound levels measured in actual installation conditions might be higher than the specified values here.

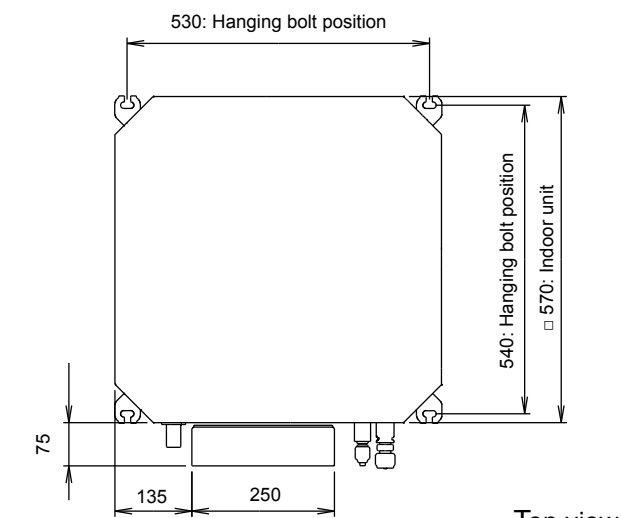
4. DIMENSIONS

4-1. COMPACT CASSETTE TYPE

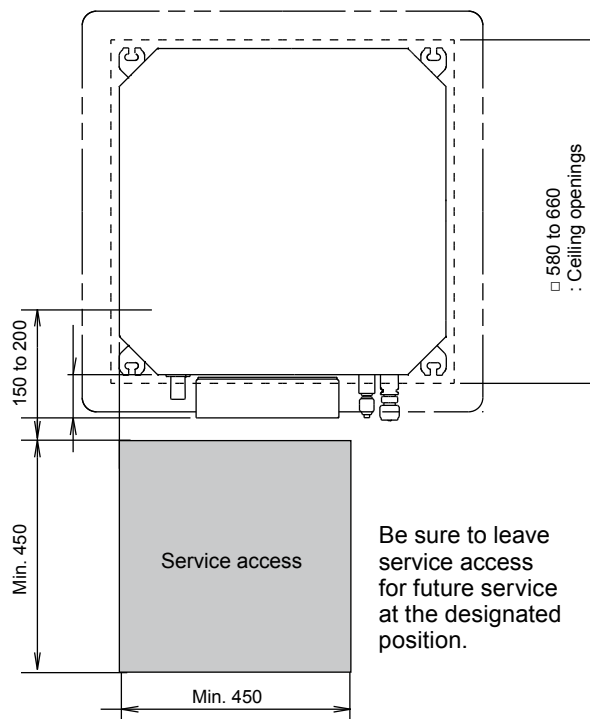
■ MODELS : AU*G07LVLA, AU*G09LVLA, AU*G12LVLA,
AU*G14LVLA, AU*G18LVLA,
AU*G12LVLB, AU*G14LVLB, AU*G18LVLB

• Cassette grille mounting state

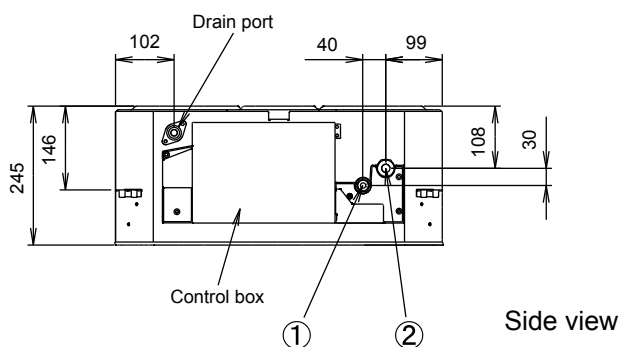
Unit : mm



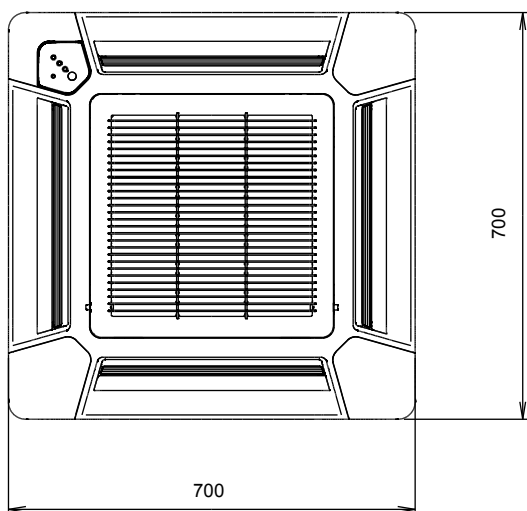
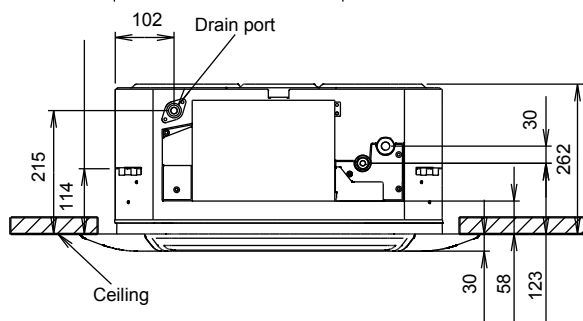
Top view



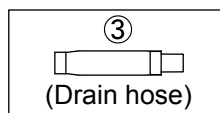
Be sure to leave service access for future service at the designated position.



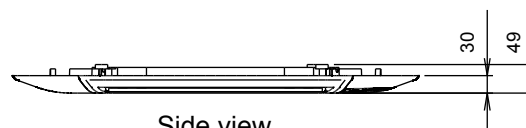
Side view



Bottom view



(Drain hose)

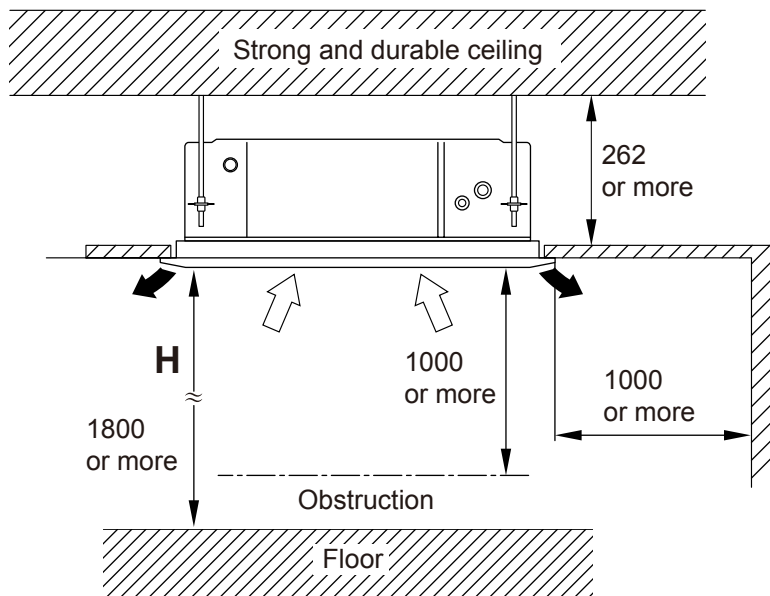


Side view

		AU*G07L, AU*G09L, AU*G12L		AU*G14L, AU*G18L	
①	Refrigerant pipe flare connection	Liquid	ø 6.35 mm (ø 1/4 in.)	ø 6.35 mm (ø 1/4 in.)	
②		Gas	ø 9.52 mm (ø 3/8 in.)	ø 12.70 mm (ø 1/2 in.)	
③	Drain hose connection	Drain hose	O.D. 32mm (VP25)		

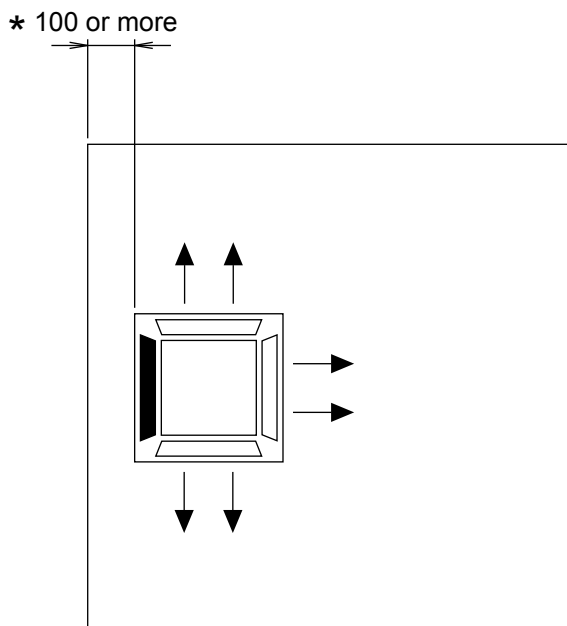
■ INSTALLATION PLACE

Unit : mm



	H (The maximum height from floor to ceiling) Unit: mm				
Model name	AU*G07	AU*G09	AU*G12	AU*G14	AU*G18
Standard mode	2700	2700	2700	2700	2700
High Ceiling mode	-	-	3000	3000	3000

● 3-way directions setting



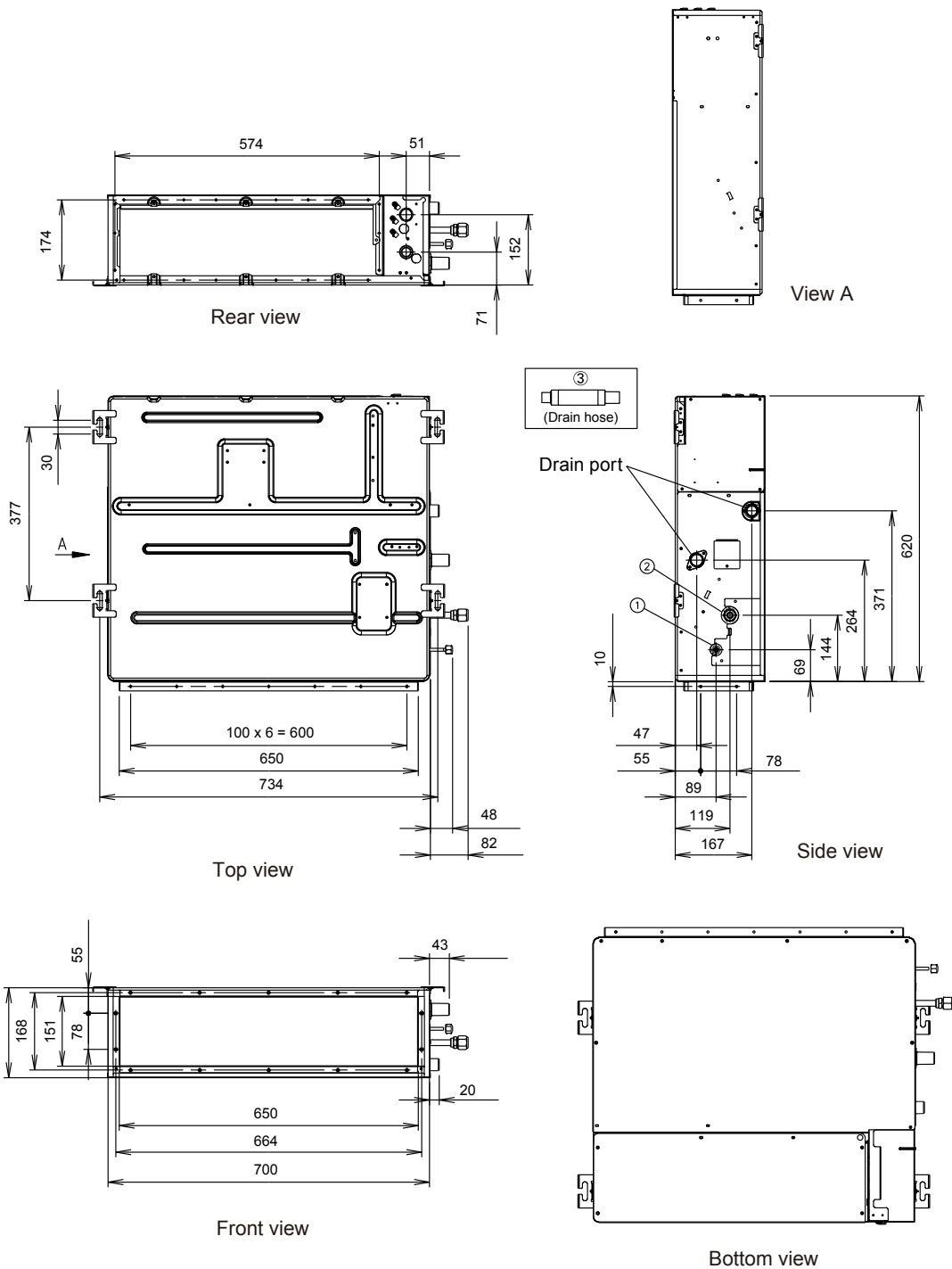
To set "3-way directions", the air outlet shutter plate (UTR-YDZB) sold separately must be installed and "outlet-direction" switched to "3-way" by remote controller.

*When installing the indoor unit, be careful about the maintenance space.

4-2. SLIM DUCT TYPE

■ MODELS : AR*G07LLTA, AR*G09LLTA, AR*G12LLTA,
AR*G14LLTA,
AR*G12LLTB, AR*G14LLTB

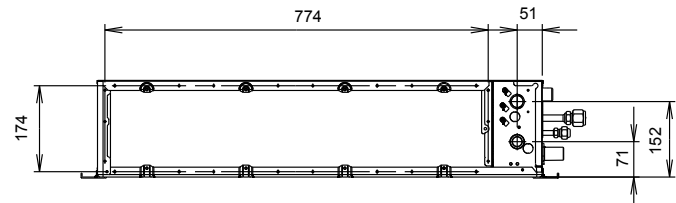
Unit : mm



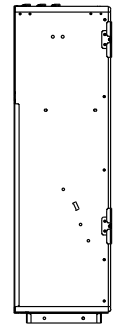
			AR*G07L, AR*G09L, AR*G12L	AR*G14L
①	Refrigerant pipe flare connection	Liquid	ø 6.35 mm (ø 1/4 in.)	
②		Gas	ø 9.52 mm (ø 3/8 in.)	ø 12.70 mm (ø 1/2 in.)
③	Drain hose connection	Drain hose	O.D. 32mm (VP25)	

■ MODEL : AR*G18LLTA,
AR*G18LLTB

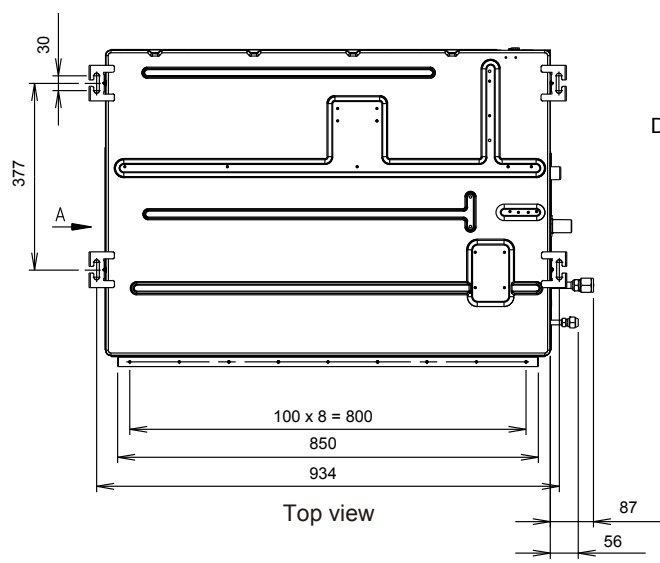
Unit : mm



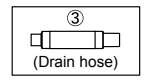
Rear view



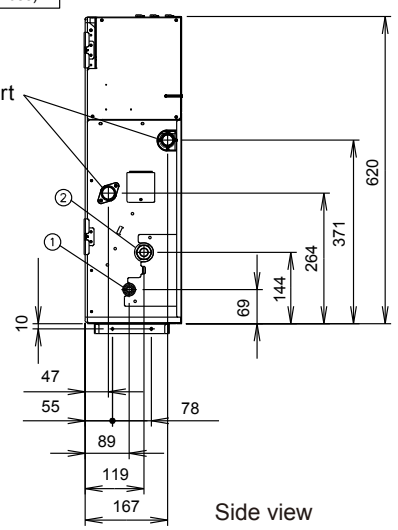
View A



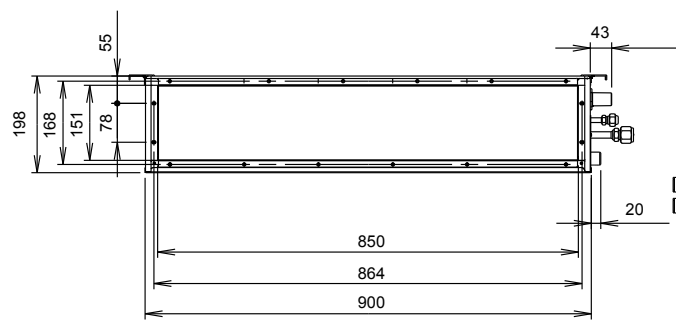
Top view



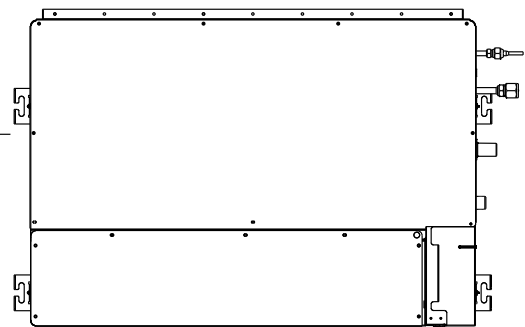
Drain port



Side view



Front view

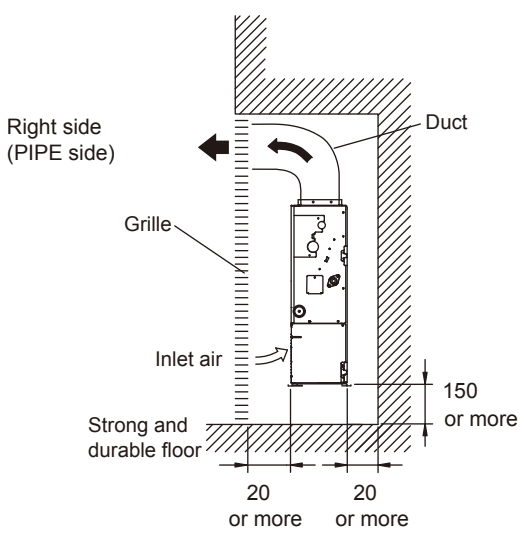
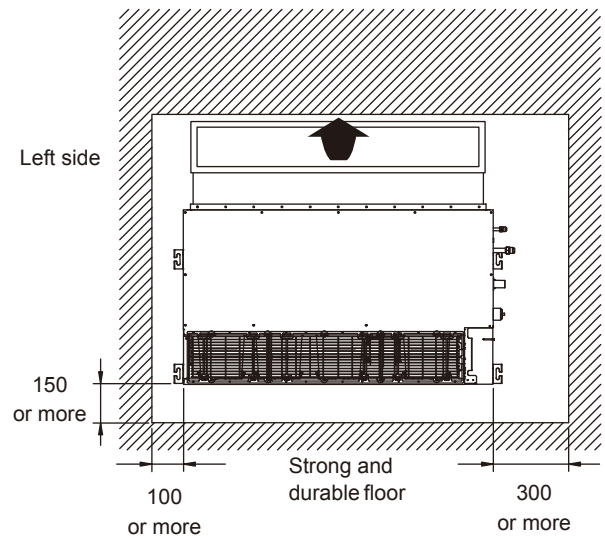
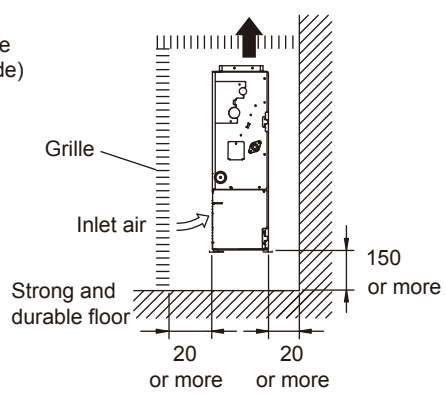
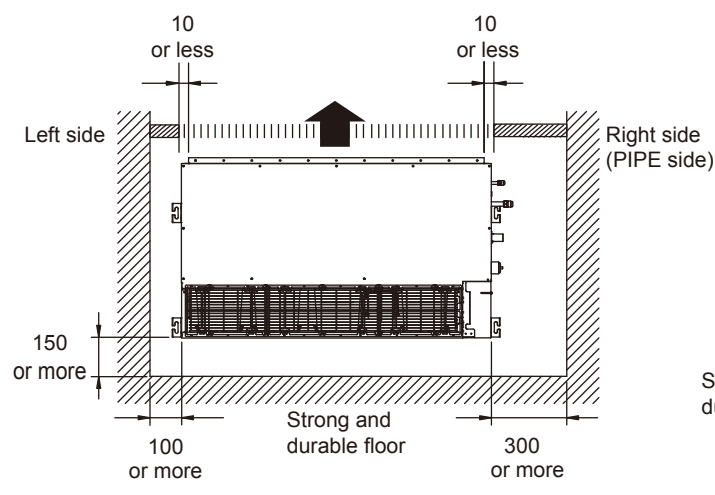
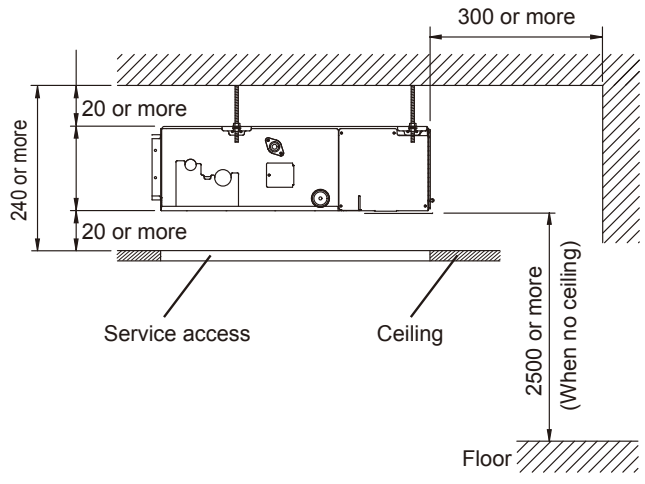
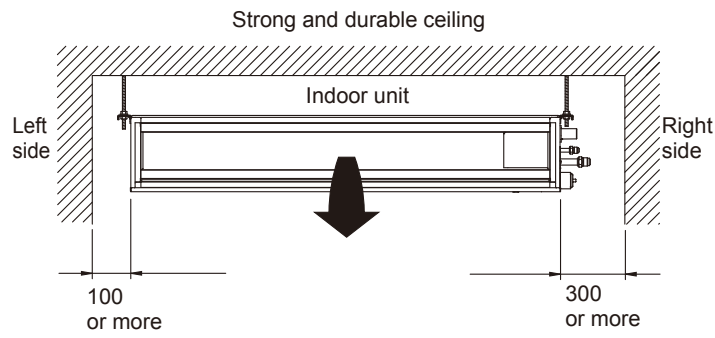


Bottom view

			AR*G18L
①	Refrigerant pipe flare connection	Liquid	ø 6.35 mm (ø 1/4 in.)
②		Gas	ø 12.70 mm (ø 1/2 in.)
③	Drain hose connection	Drain hose	O.D. 32mm (VP25)

INSTALLATION PLACE

Unit : mm

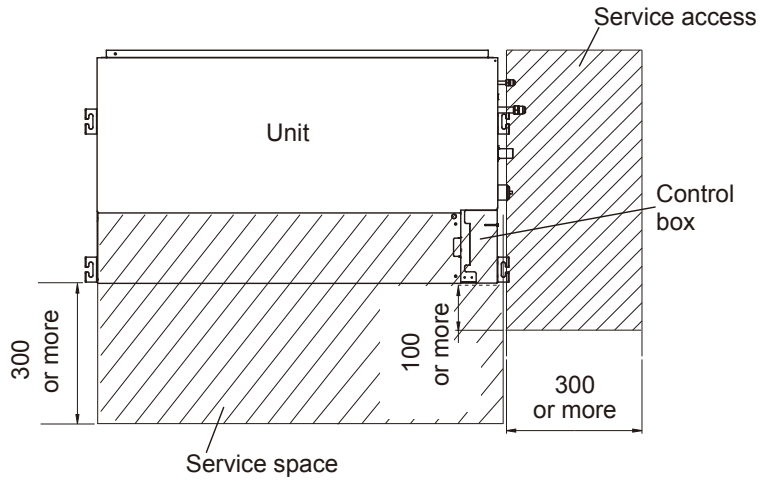


Unit : mm

■ MAINTENANCE SPACE

Provide a service access for inspection purposes as shown below.

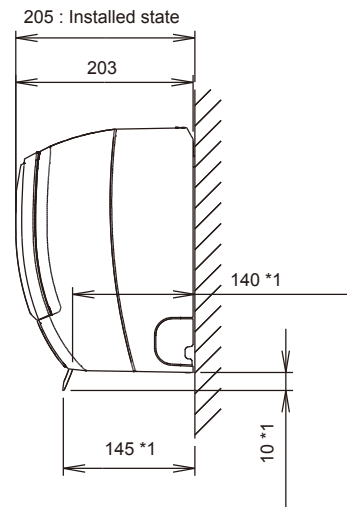
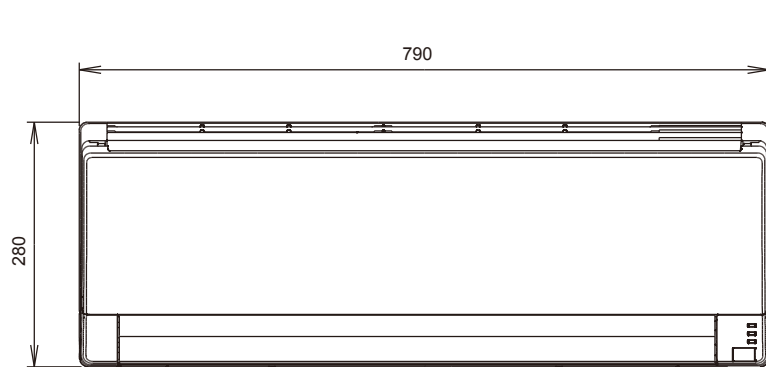
Do not place any wiring or illumination in the service space, as they will impede service.



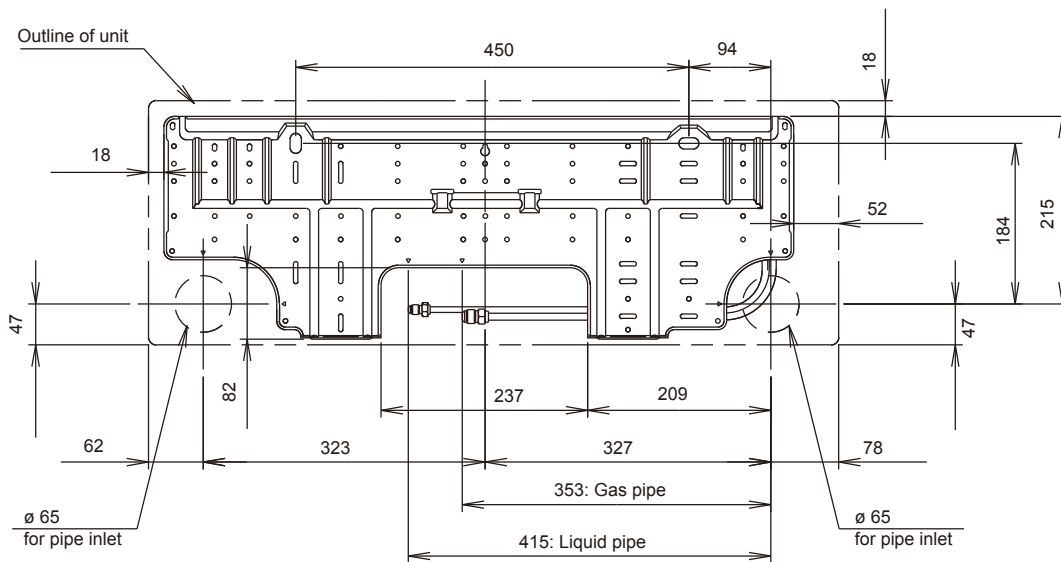
4-3. WALL MOUNTED TYPE

■ MODELS : AS*G07LJCA, AS*G09LJCA, AS*G12LJCA

Unit : mm



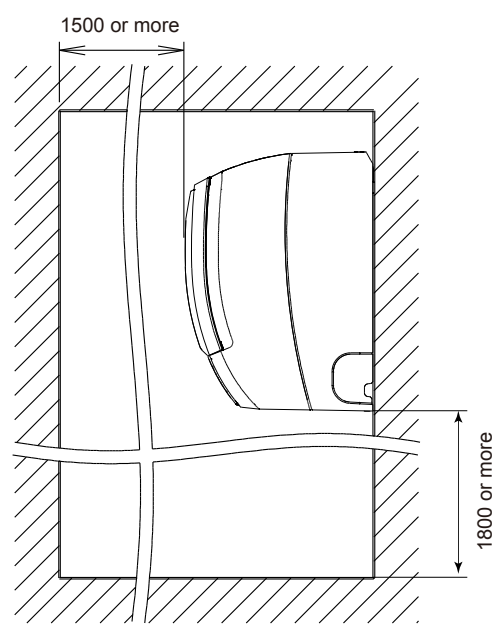
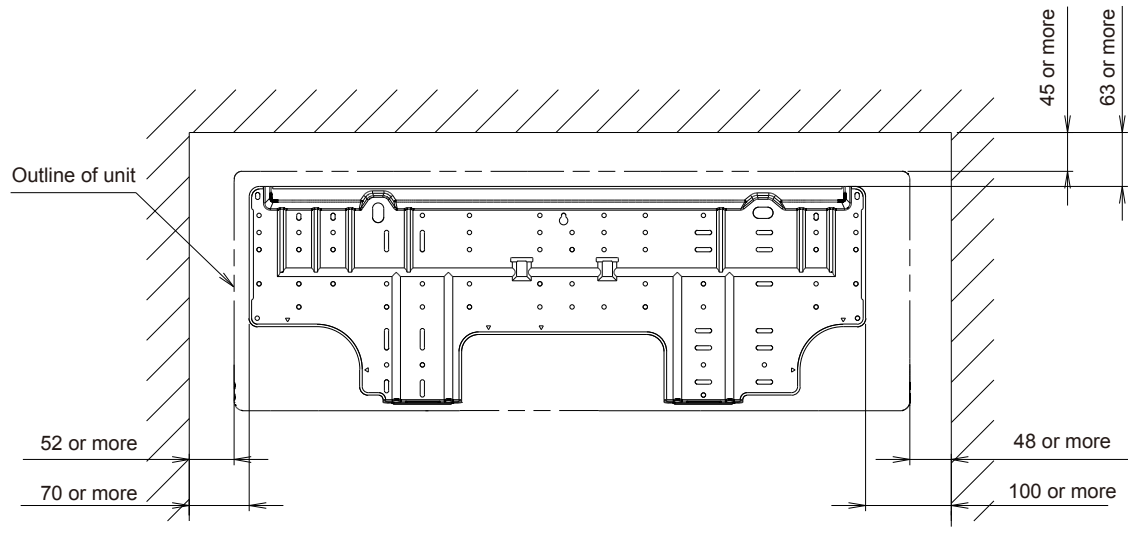
*1: Vertical flap is downward



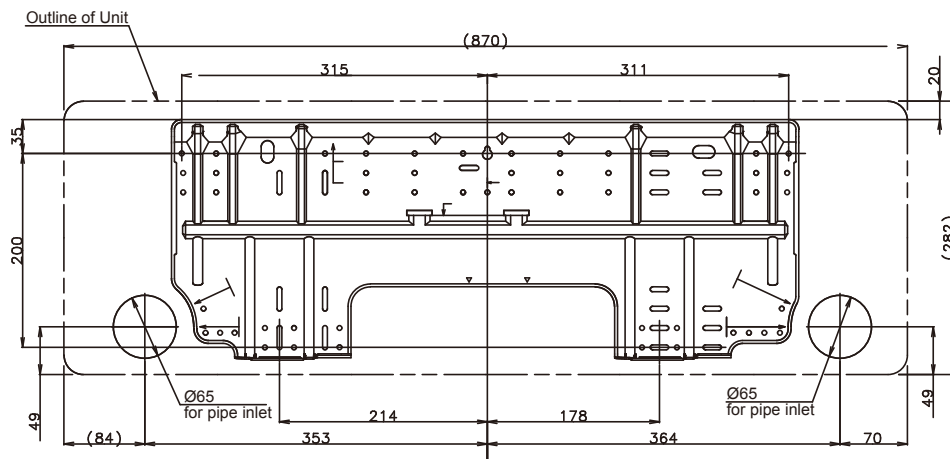
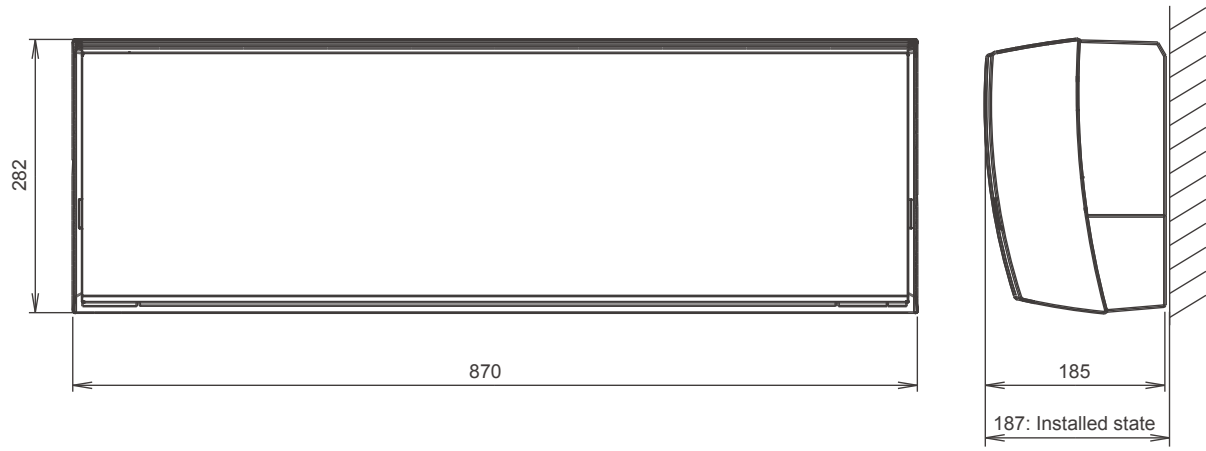
			AS*G07L, AS*G09L, AS*G12L
①	Refrigerant pipe flare connection	Liquid	ø 6.35 mm (ø 1/4 in.)
②		Gas	ø 9.52 mm (ø 3/8 in.)
③	Drain hose connection	Drain hose	I.D. 13.8 mm, O.D. 15.8 to 16.7 mm Total length : 600 mm

■ INSTALLATION PLACE

Unit : mm

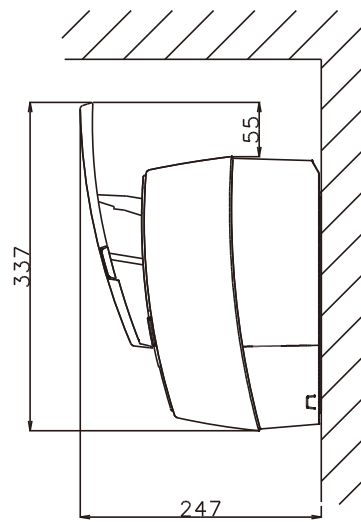
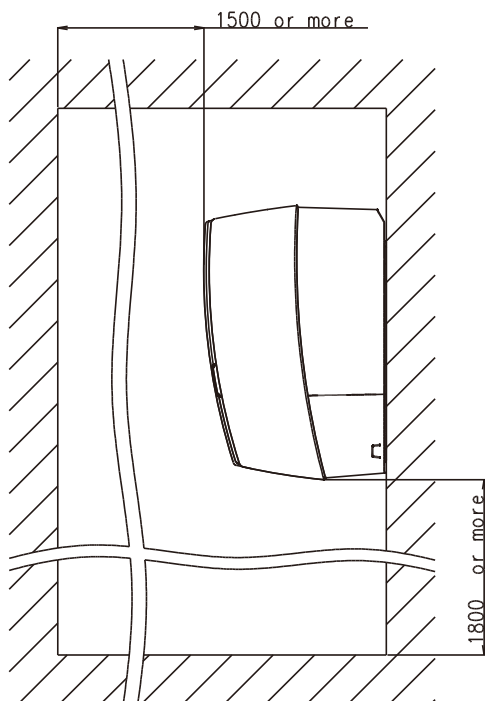
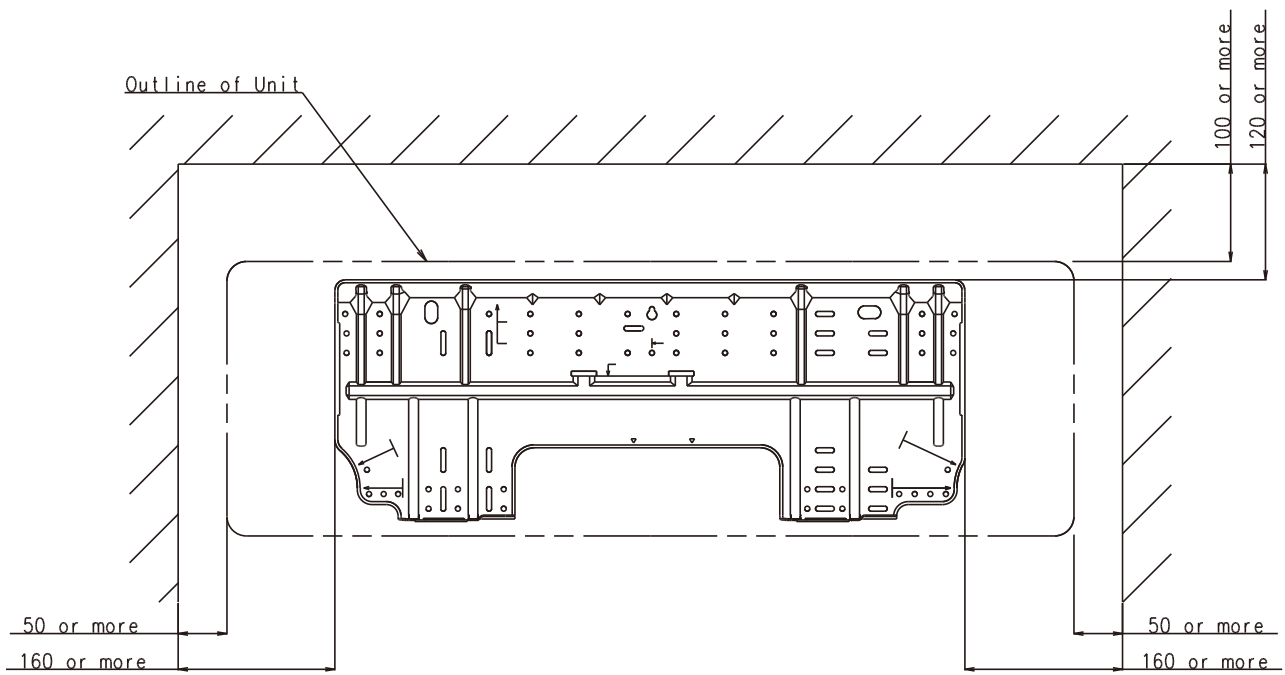


■ MODELS : AS*G07LUCA, AS*G09LUCA, AS*G12LUCA,
AS*G14LUCA



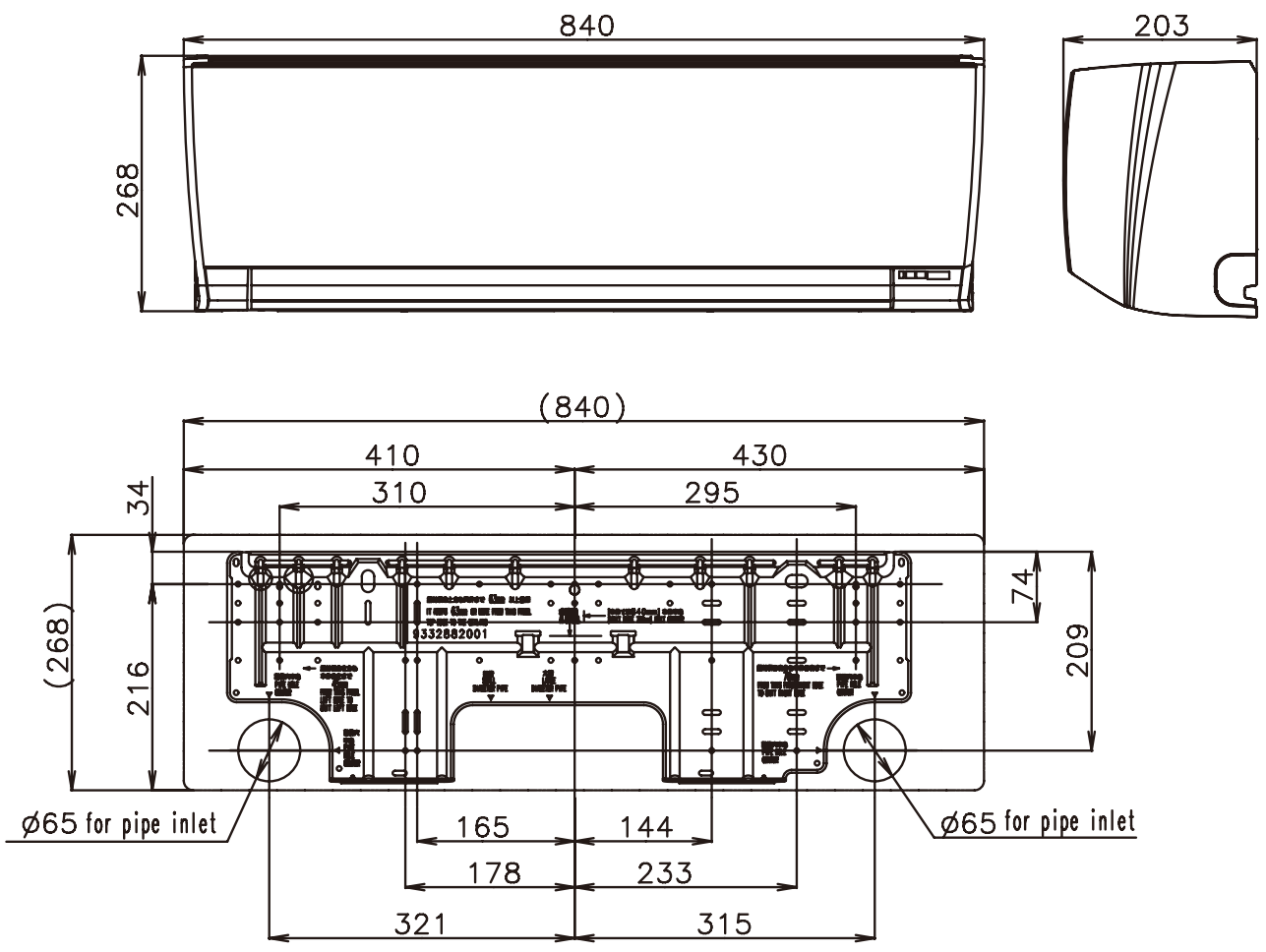
		AS*G07LU, AS*G09LU, AS*G12LU		AS*G14LU
①	Refrigerant pipe flare connection	Liquid	ø 6.35 mm (ø 1/4 in.)	ø 6.35 mm (ø 1/4 in.)
②		Gas	ø 9.52 mm (ø 3/8 in.)	ø 12.70 mm (ø 1/2 in.)
③	Drain hose connection	Drain hose	I.D. 13.8 mm, O.D. 15.8 to 16.7 mm Total length : 600 mm	

■ INSTALLATION PLACE



MODELS : AS*G07LMCA, AS*G09LMCA, AS*G12LMCA, AS*G14LMCA

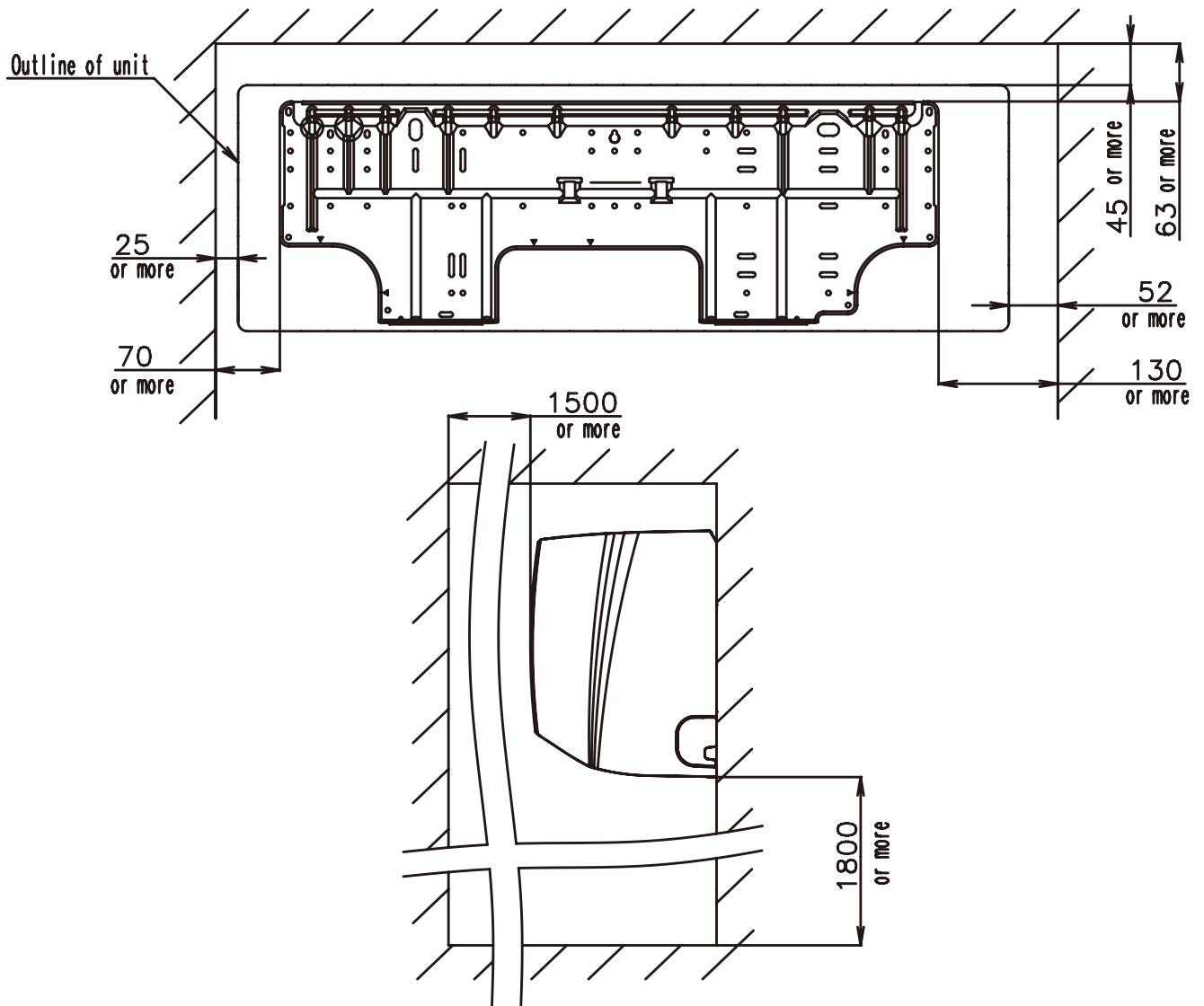
(Unit : mm)



			AS*G07LM, AS*G09LM, AS*G12LM	AS*G14LM
①	Refrigerant pipe flare connection	Liquid	ø 6.35 mm (1/4 in.)	ø 6.35 mm (1/4 in.)
②		Gas	ø 9.52 mm (3/8 in.)	ø 12.70 mm (1/2 in.)
③	Drain hose connection	Drain hose	I.D. 13.8 mm, O.D. 15.8 to 16.7 mm Total length : 600 mm	

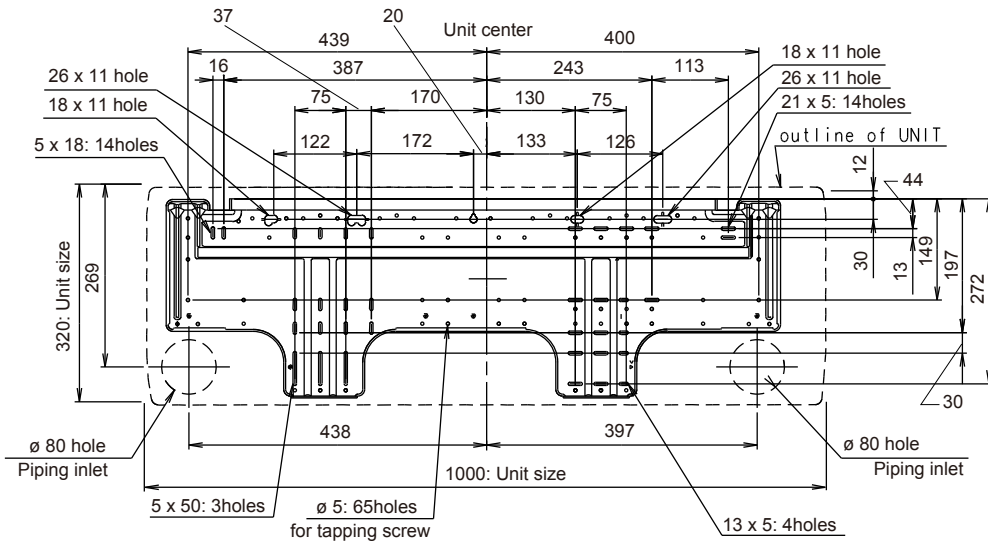
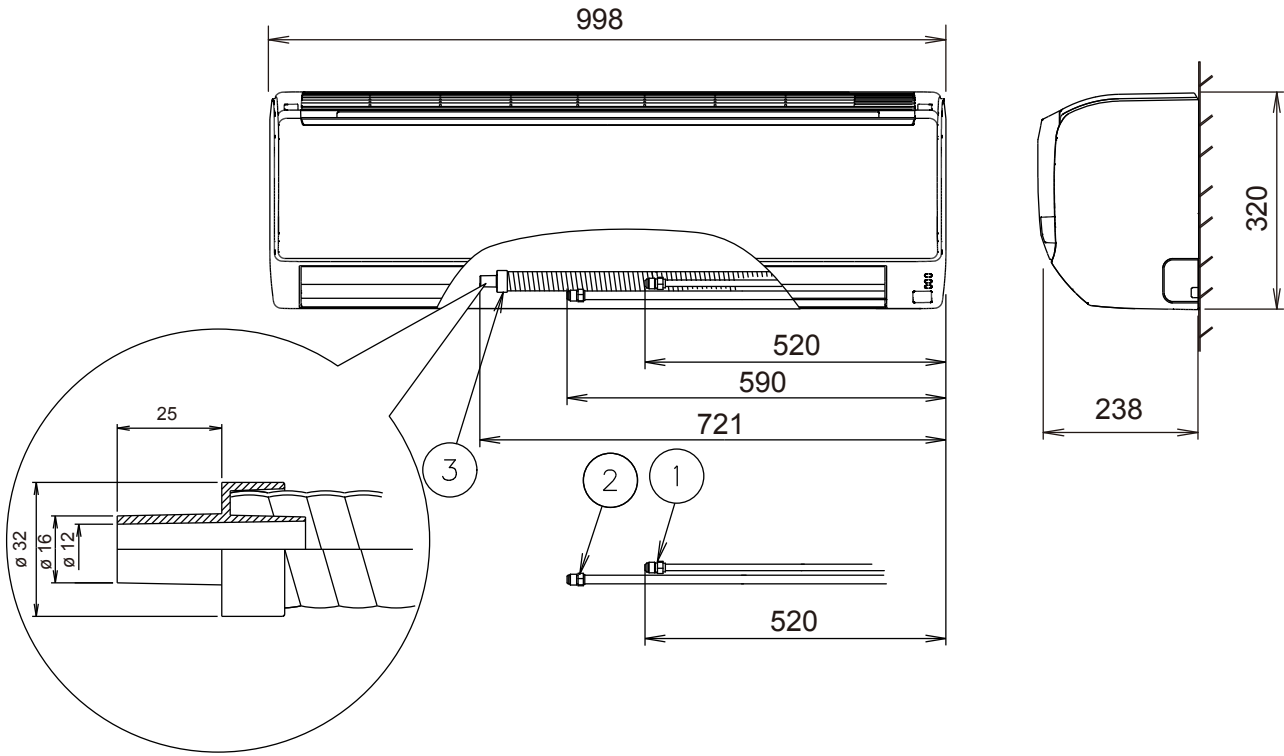
■ INSTALLATION PLACE

(Unit : mm)



MODELS : AS*G18LFCA, AS*G24LFCA, AS*G24LFCC

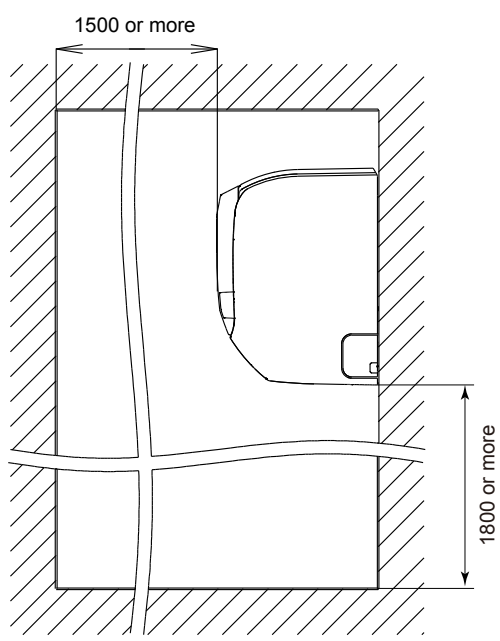
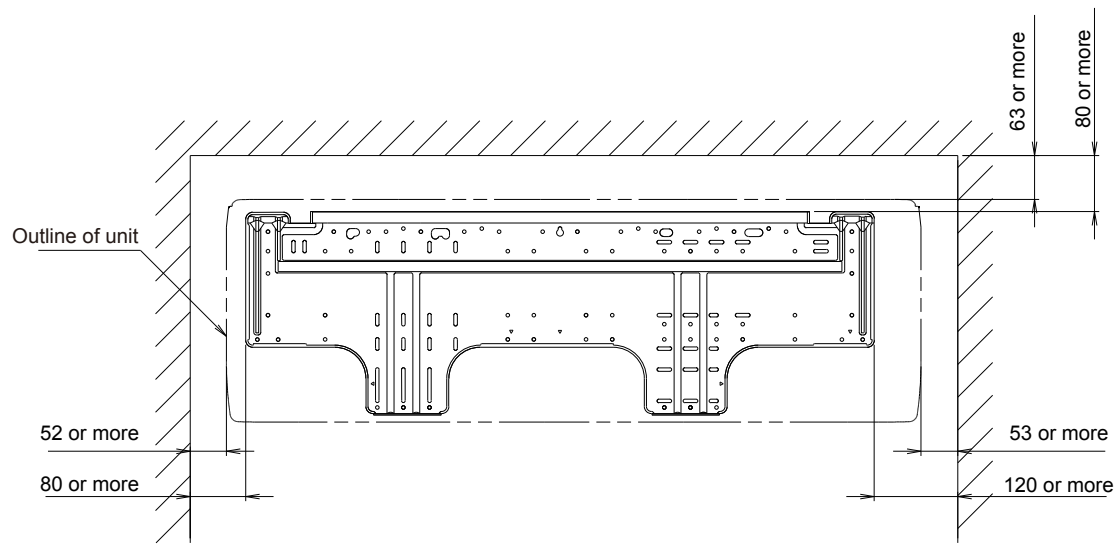
Unit : mm



			AS*G18L	AS*G24L
①	Refrigerant pipe flare connection	Liquid	ø 6.35 mm (ø 1/4 in.)	ø 6.35 mm (ø 1/4 in.)
②		Gas	ø 12.70 mm (ø 1/2 in.)	ø 15.88 mm (ø 5/8 in.)
③	Drain hose connection	Drain hose	I.D. 12 mm , O.D. 16 mm Total length : 670 mm	

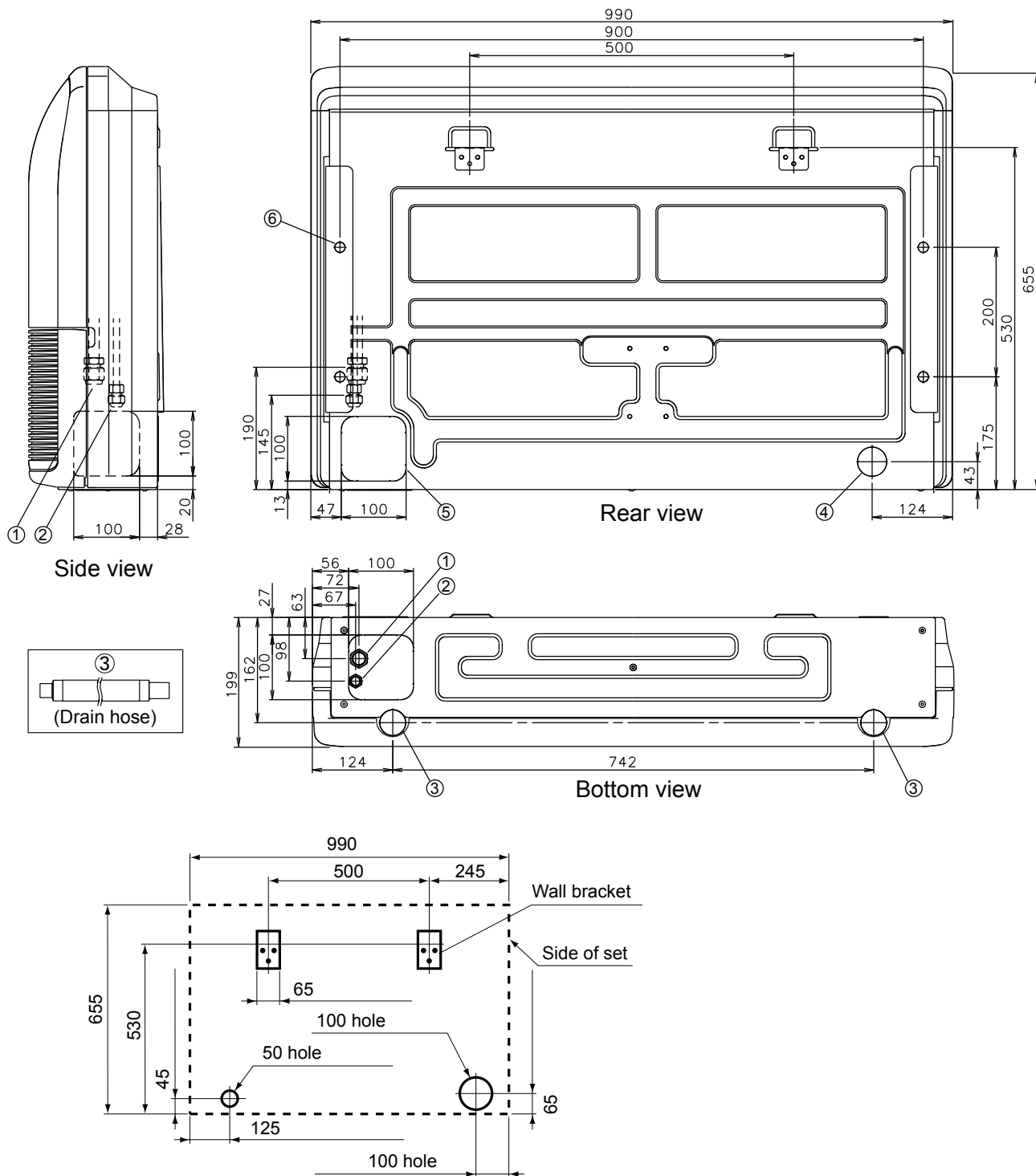
■ INSTALLATION PLACE

Unit : mm



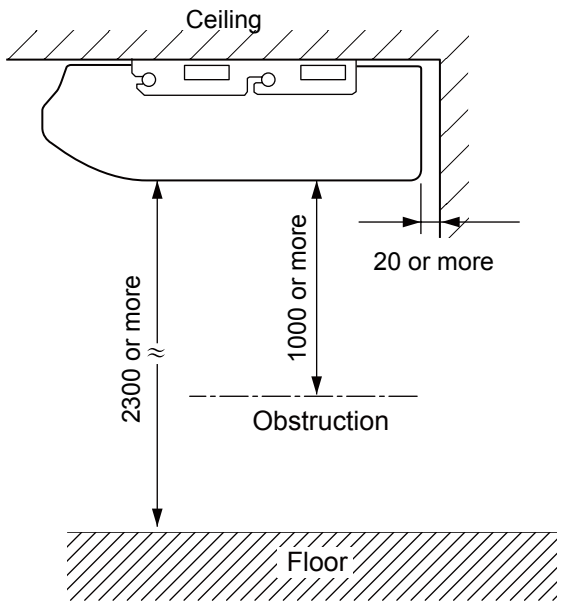
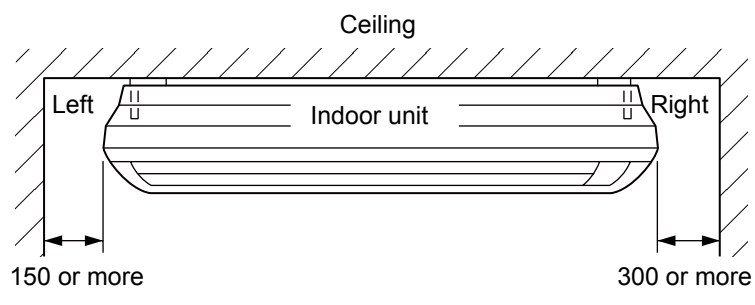
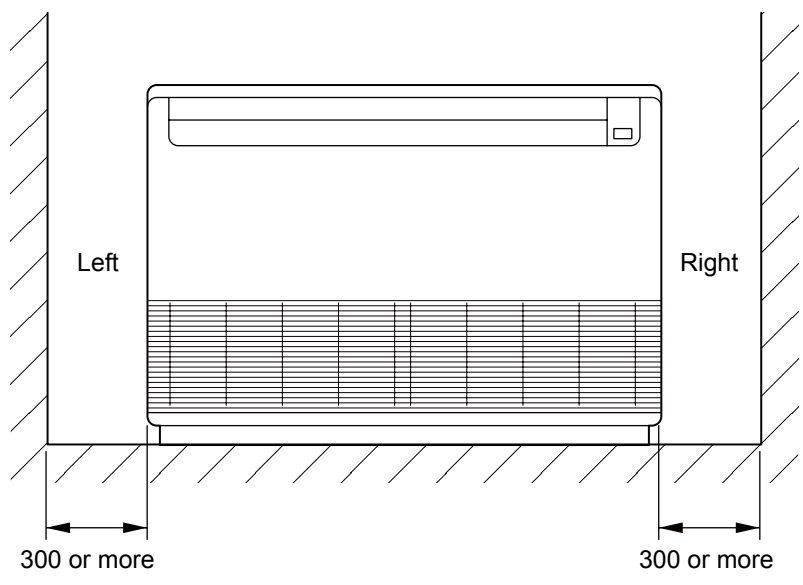
4-4. FLOOR / CEILING TYPE

■ MODELS : AB*G14LVTA, AB*G18LVTA,
AB*G18LVTB



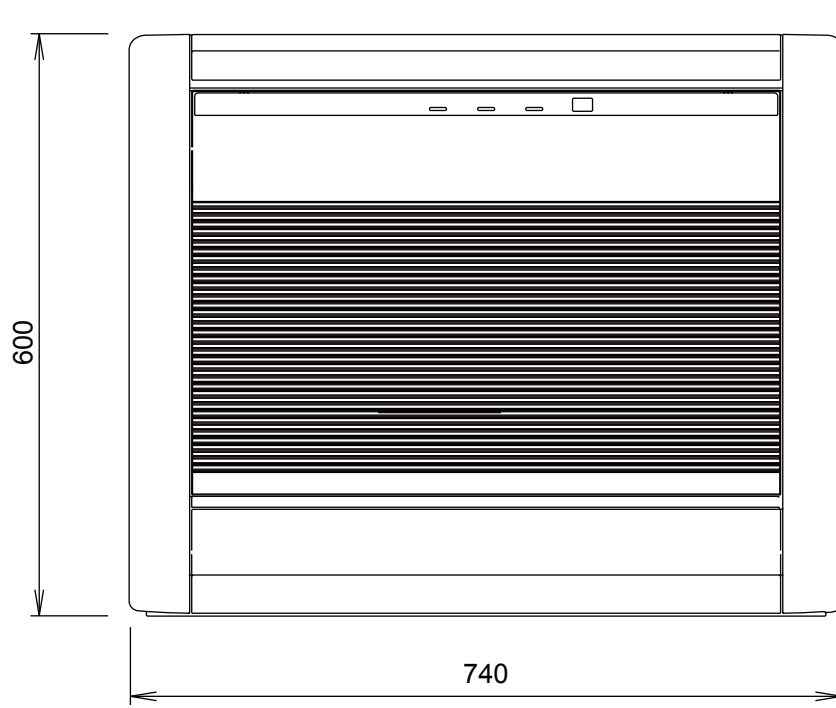
			AB*G14L, AB*G18L
①	Refrigerant pipe flare connection	Liquid	ø 6.35 mm (ø 1/4 in.)
②		Gas	ø 12.70 mm (ø 1/2 in.)
③	Drain hose connection	Drain hose	O.D. 32 mm (VP25)
④	Knock out hole	Drain outlet	ø 45 mm
⑤		-	-
⑥	Hole for suspension bolt	-	Use M10 bolt

■ INSTALLATION PLACE

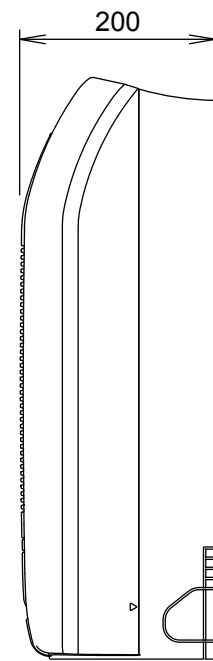


4-5. FLOOR TYPE

■ MODELS : AG*G09LVCA, AG*G12LVCA, AG*G14LVCA

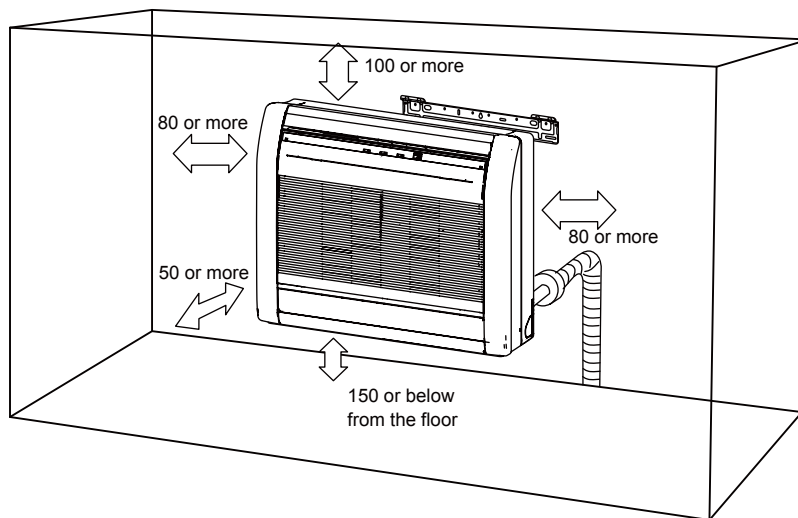


Front view



Side view

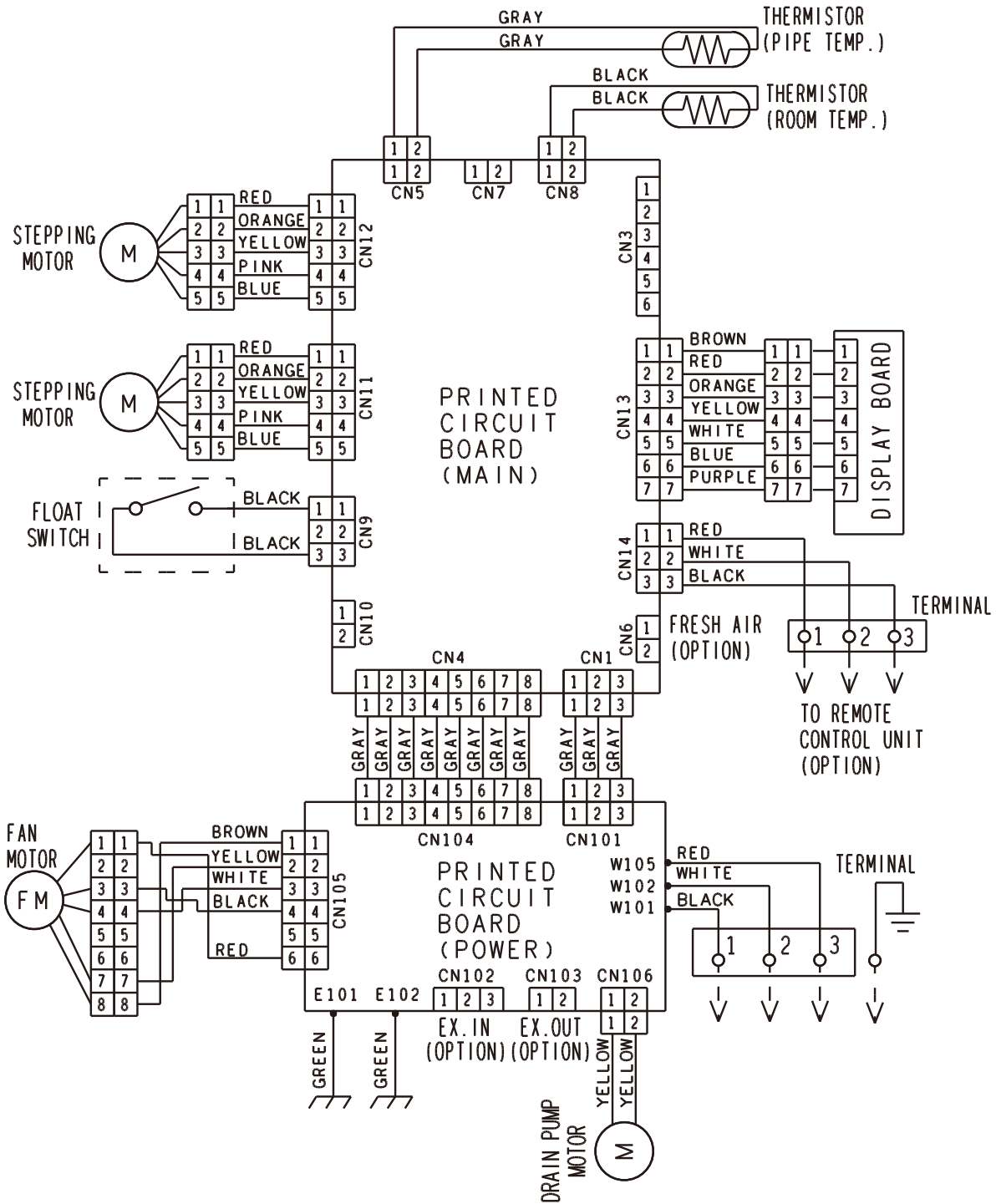
■ INSTALLATION PLACE



5. WIRING DIAGRAMS

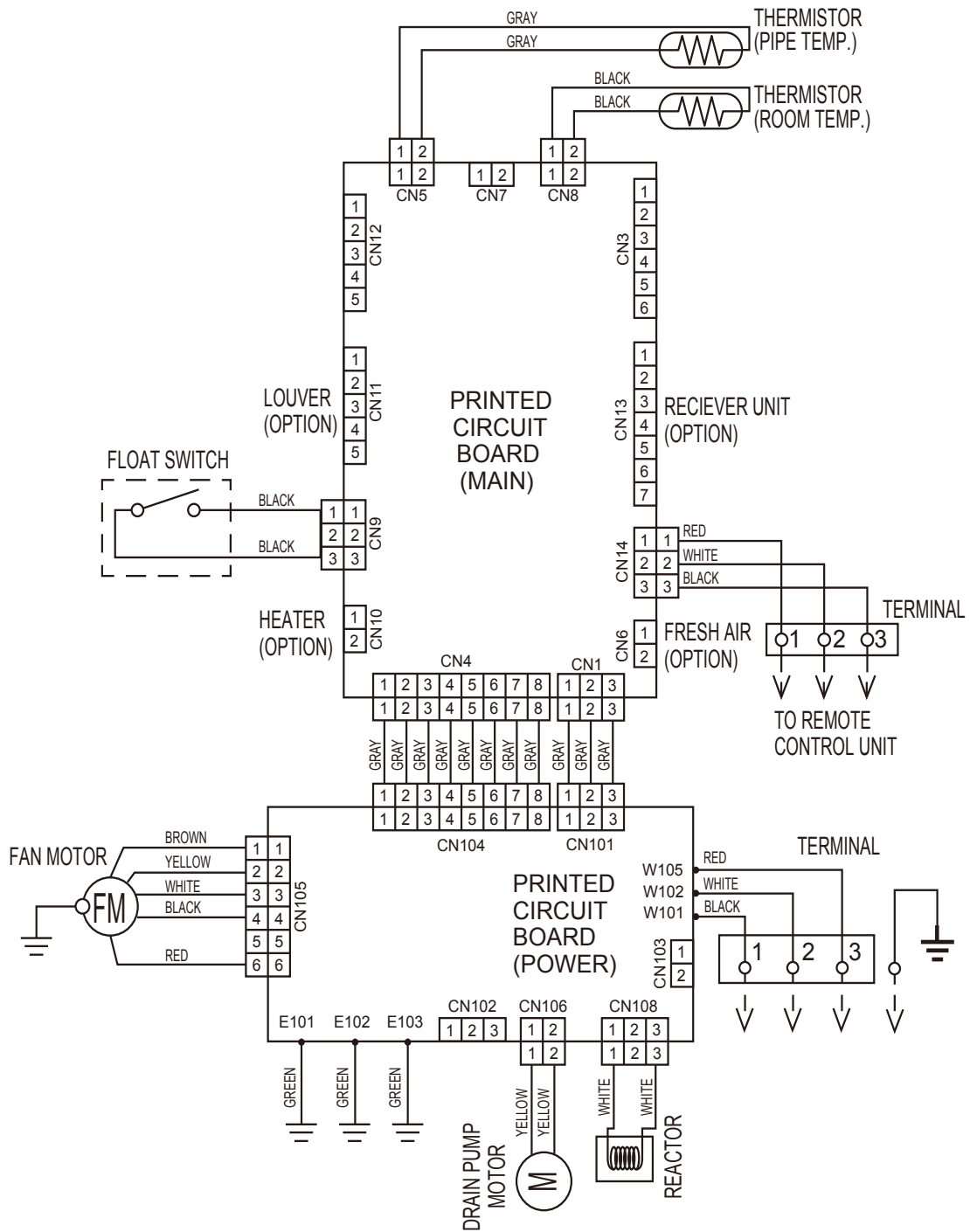
5-1. COMPACT CASSETTE TYPE

■ MODELS : AU*G07LVLA, AU*G09LVLA, AU*G12LVLA,
 AU*G14LVLA, AU*G18LVLA,
 AU*G12LVLB, AU*G14LVLB, AU*G18LVLB



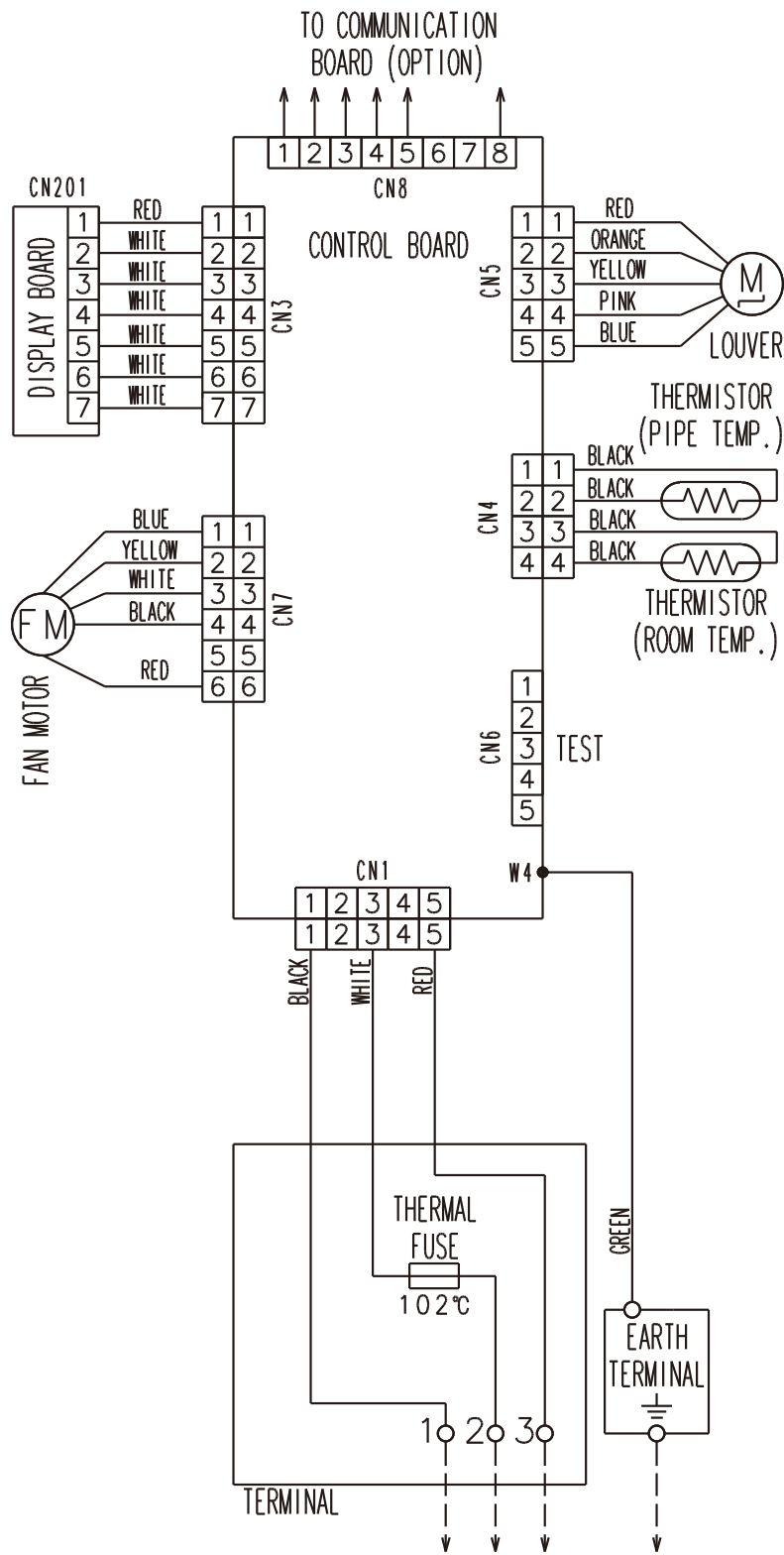
5-2. SLIM DUCT TYPE

■ MODELS : AR*G07LLTA, AR*G09LLTA, AR*G12LLTA,
AR*G14LLTA, AR*G18LLTA,
AR*G12LLTB, AR*G14LLTB, AR*G18LLTB

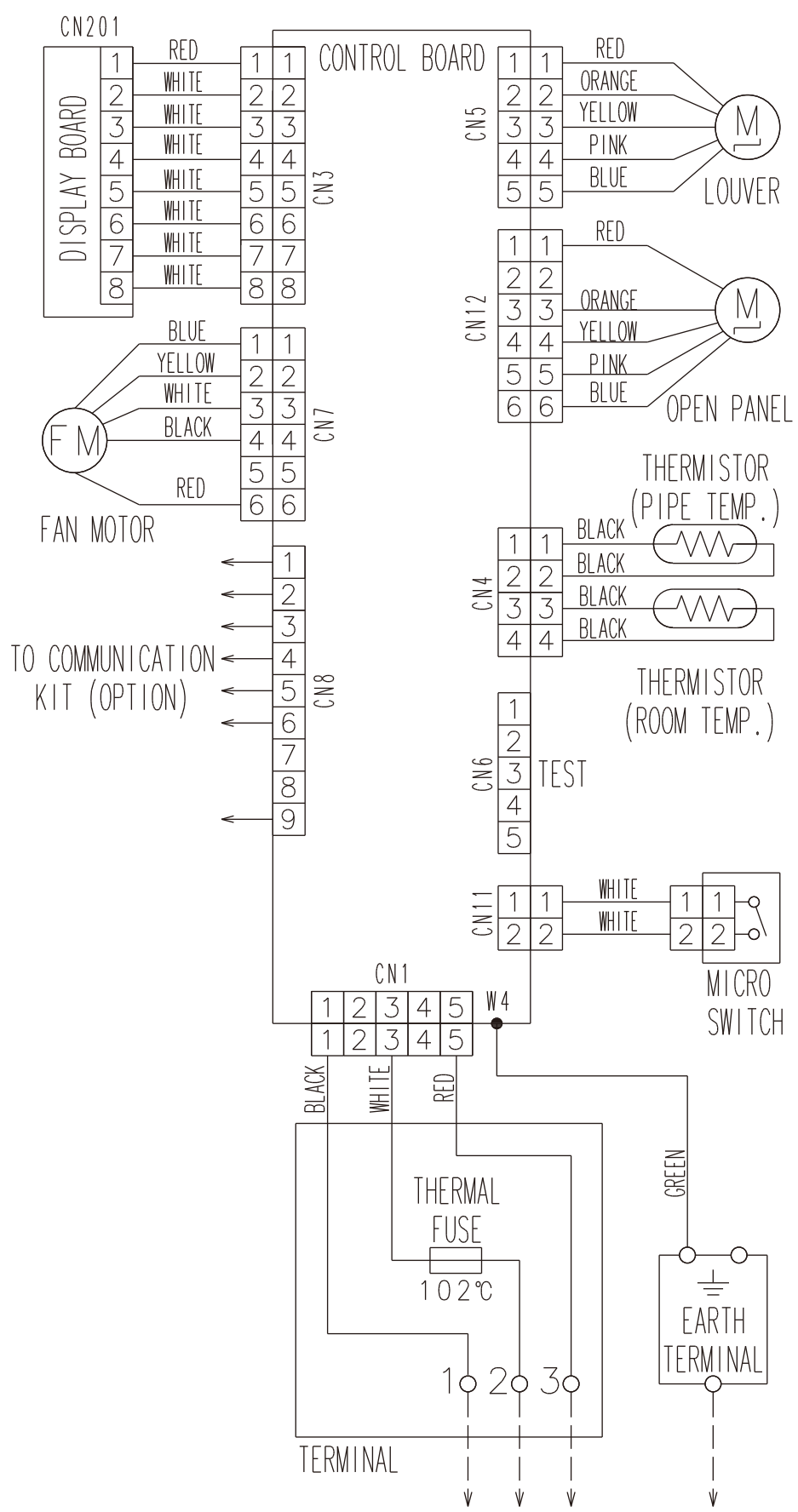


5-3. WALL MOUNTED TYPE

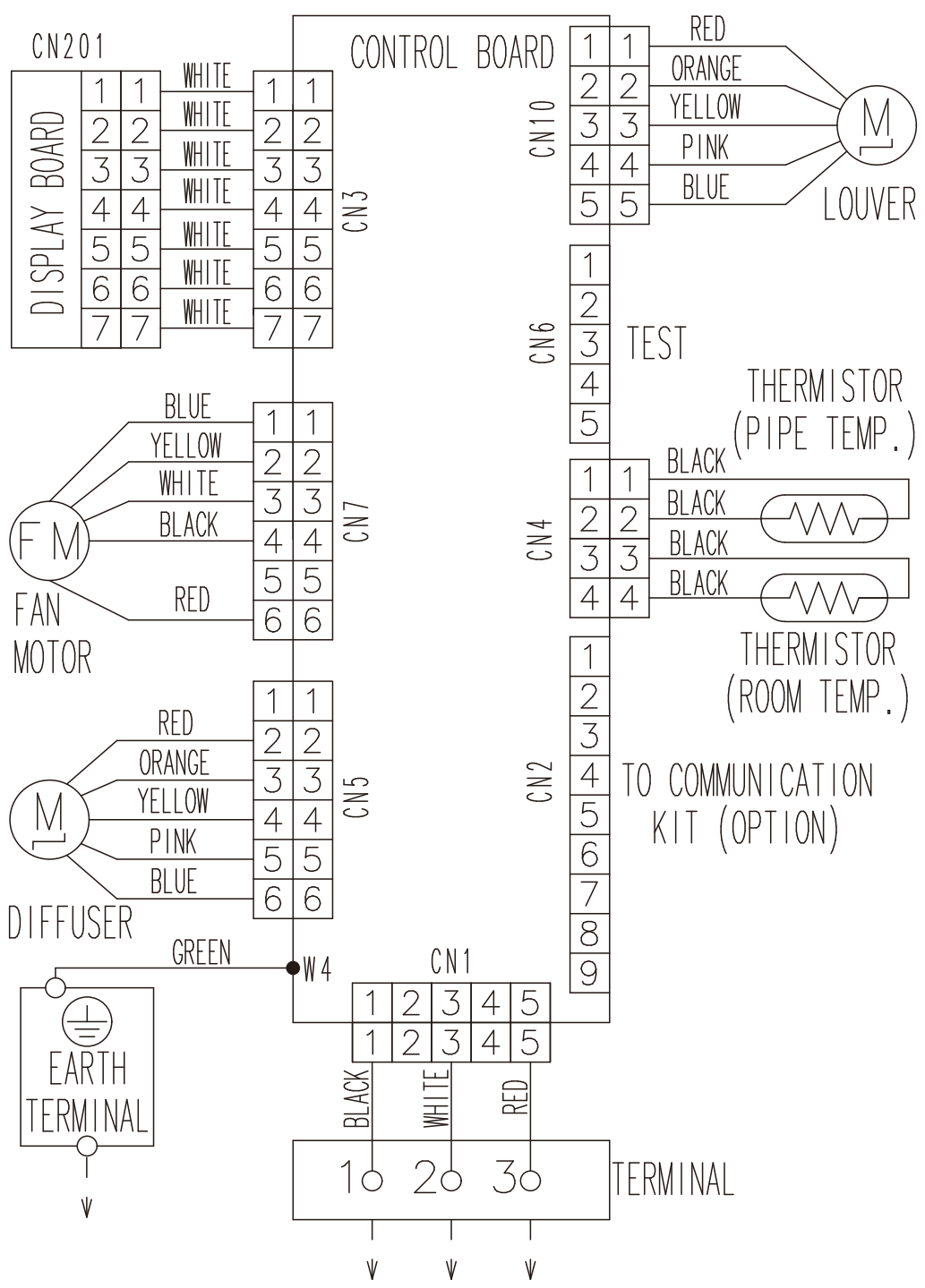
■ MODELS : AS*G07LJCA, AS*G09LJCA, AS*G12LJCA



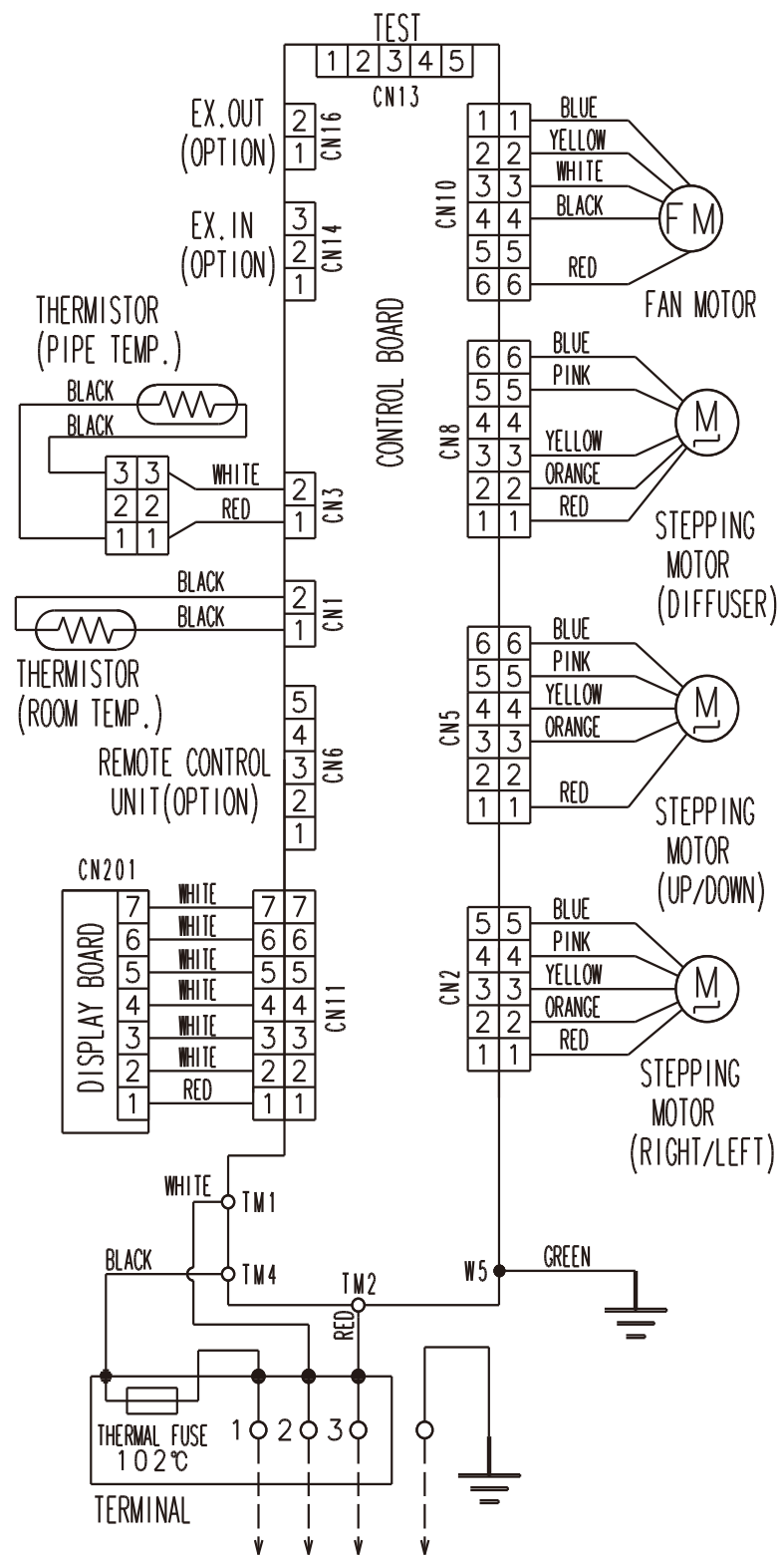
■ MODELS : AS*G07LUCA, AS*G09LUCA, AS*G12LUCA, AS*G14LUCA



■ MODELS : AS*G07LMCA, AS*G09LMCA, AS*G12LMCA, AS*G14LMCA

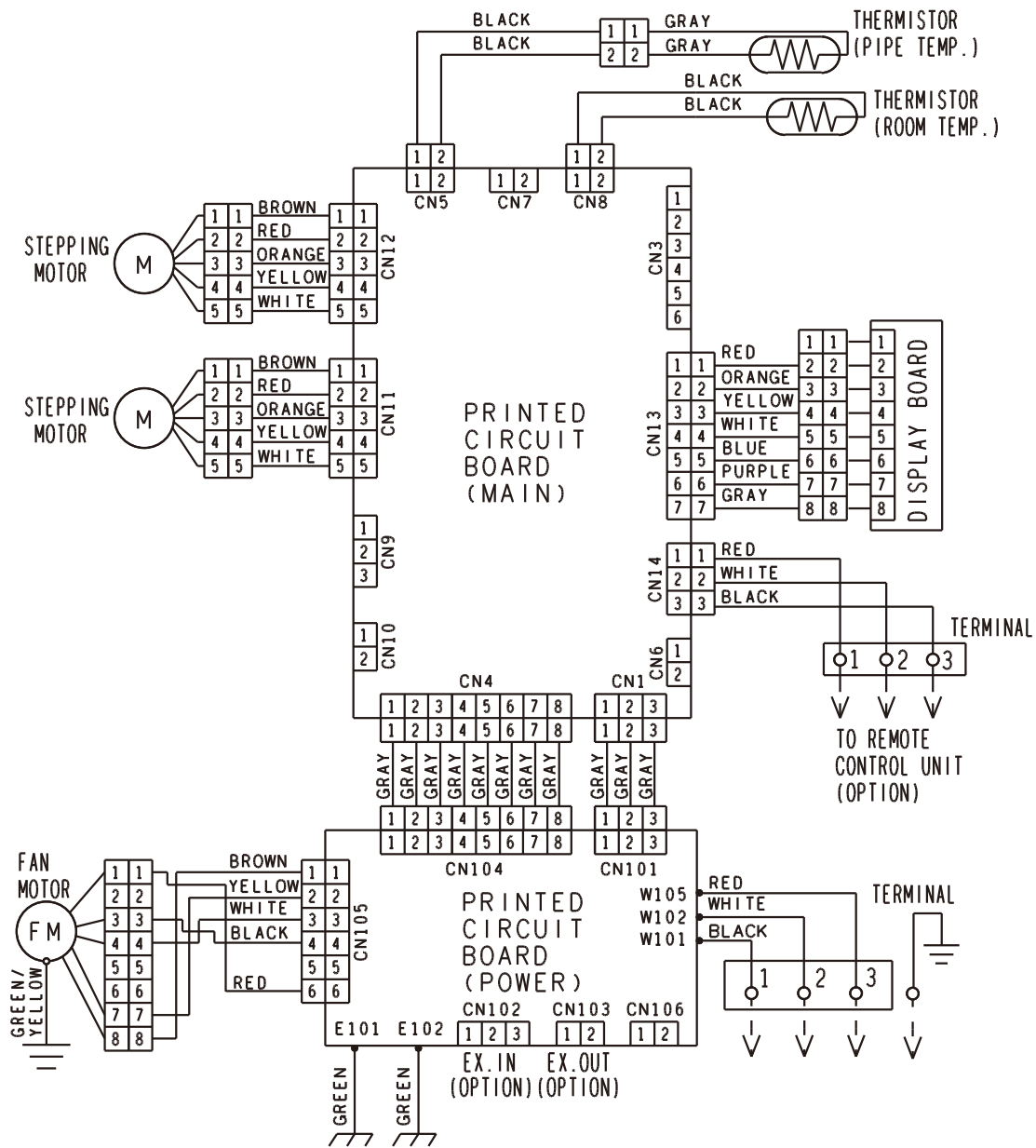


■ MODELS : AS*G18LFCA, AS*G24LFCA, AS*G24LFCC



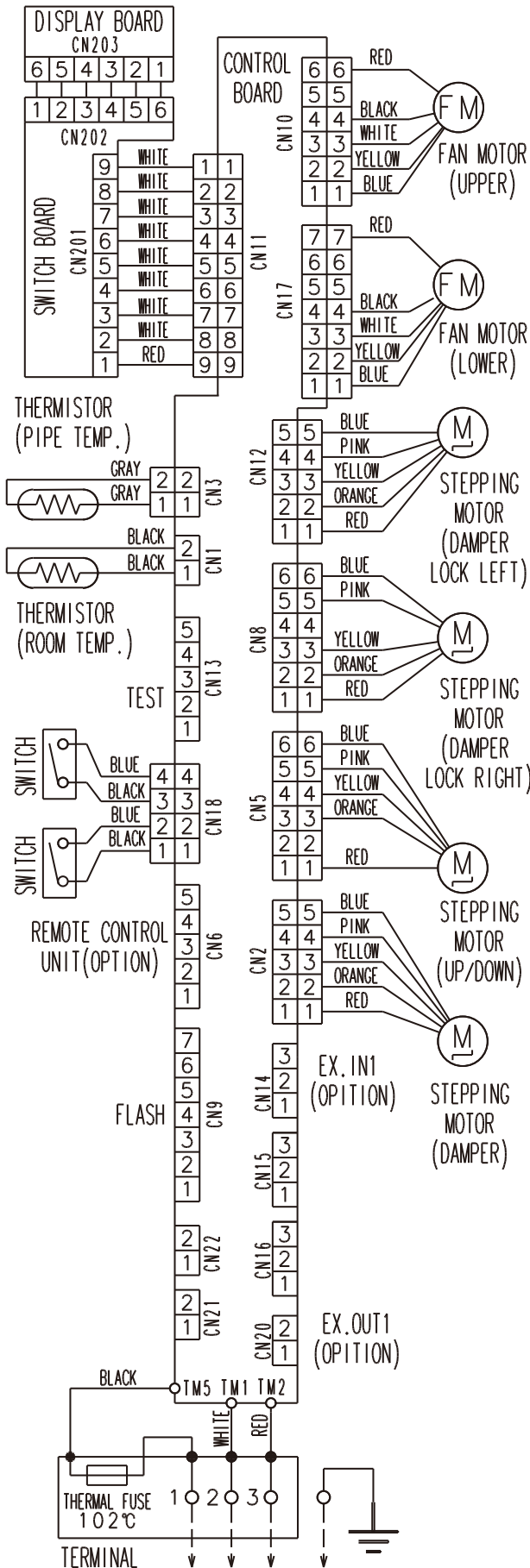
5-4. FLOOR / CEILING TYPE

■ MODELS : AB*G14LVTA, AB*G18LVTA,
AB*G18LVTB



5-5. FLOOR TYPE

■ MODELS : AG*G09LVCA, AG*G12LVCA, AG*G14LVCA



6. AIR VELOCITY AND TEMPERATURE DISTRIBUTIONS

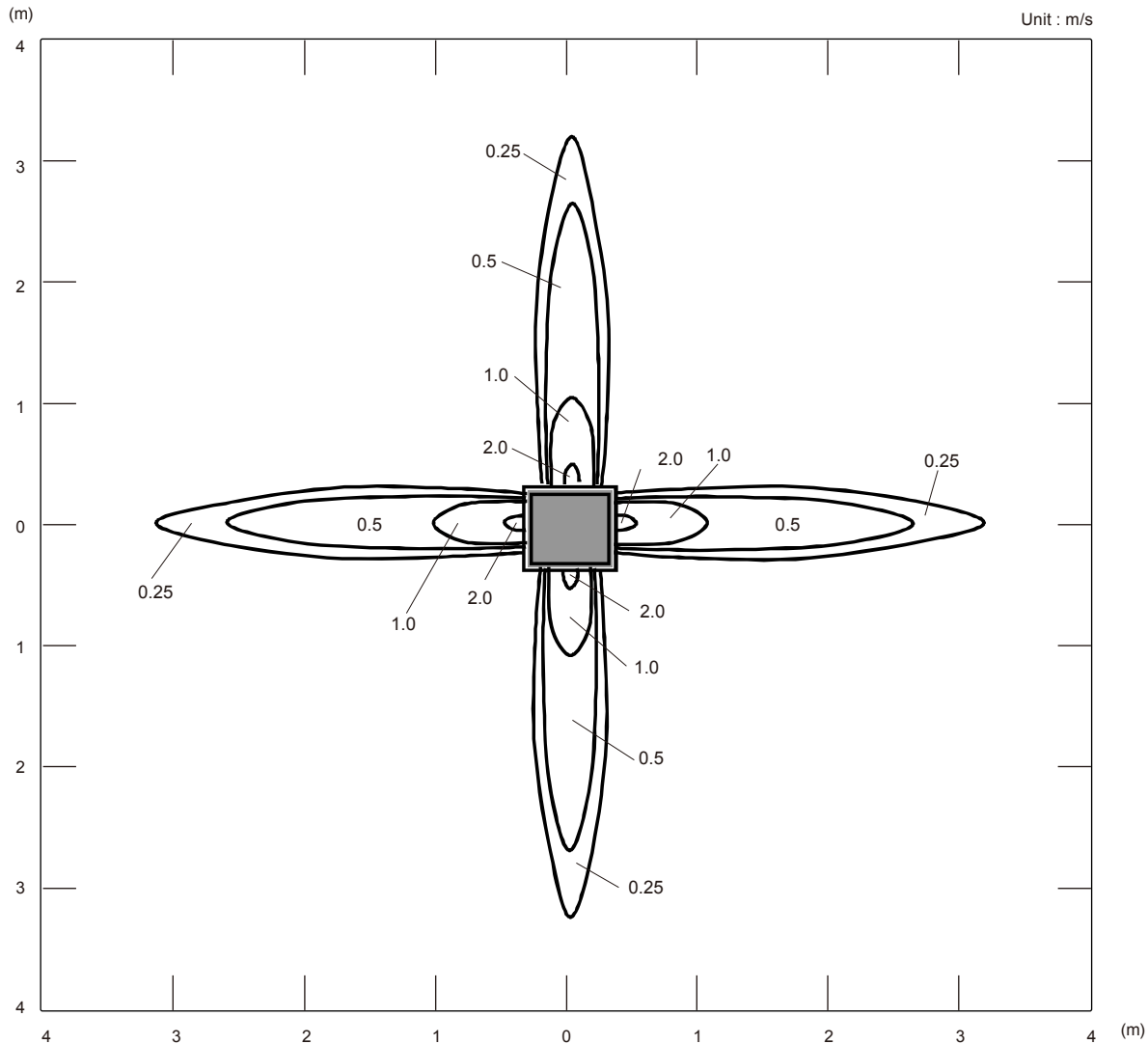
6-1. COMPACT CASSETTE TYPE

Conditions
Fan speed: HIGH
Operation mode: FAN

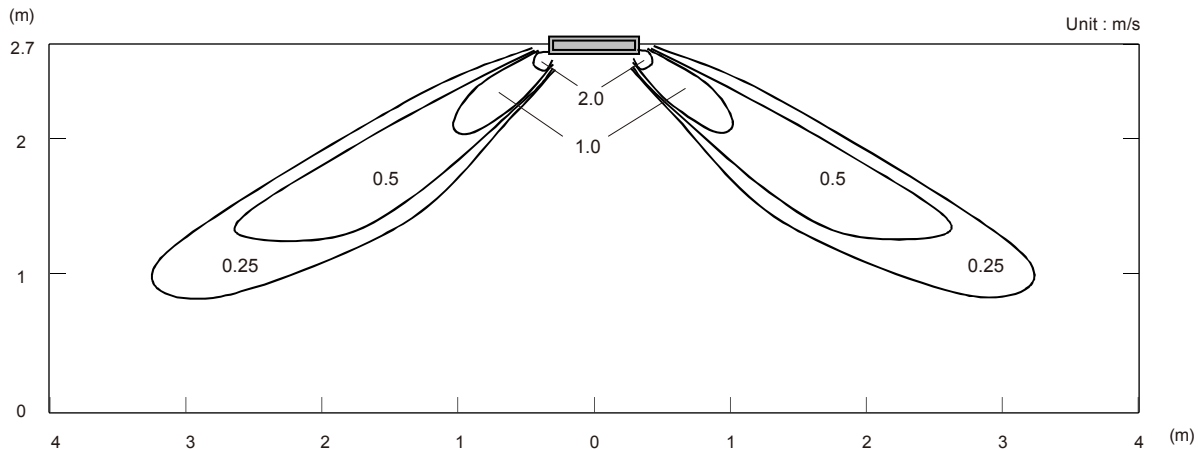
■ MODELS : AU*G07LVLA, AU*G09LVLA

● Air velocity distribution

Top view
Vertical airflow direction louver: Up



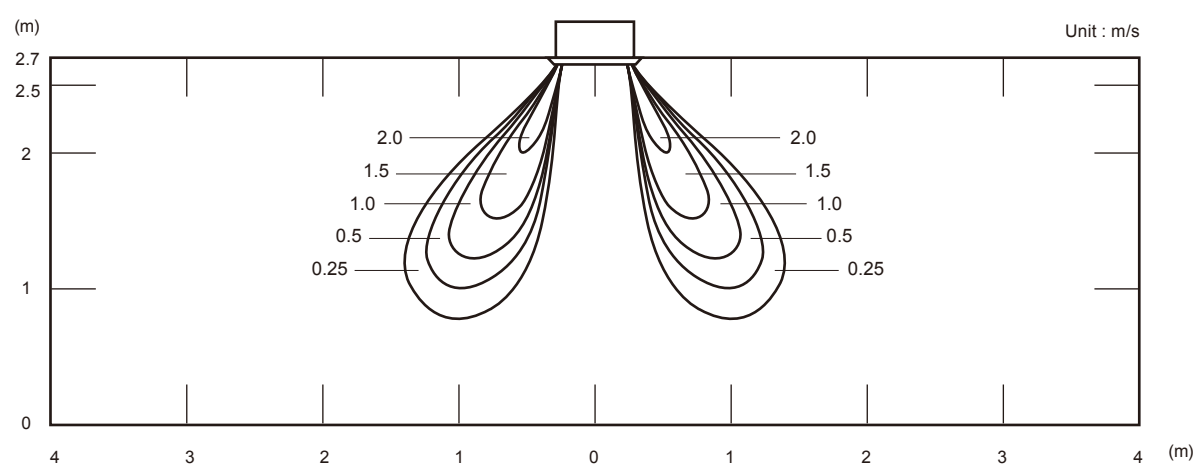
Side view
Vertical airflow direction louver: Up



Reference data
Conditions
Fan speed: HIGH
Operation mode: HEATING
Vertical airflow direction louver: 4 WAY

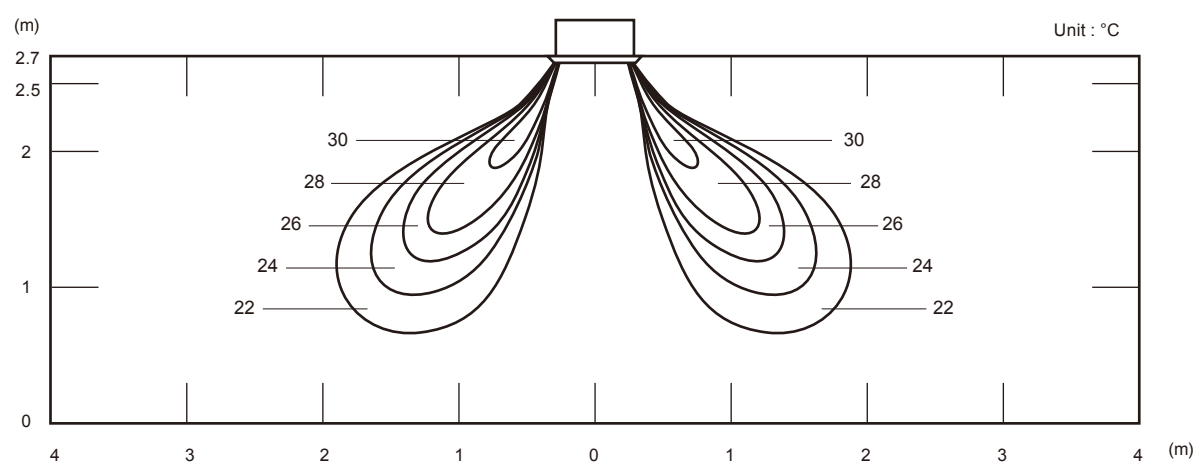
● Air velocity distribution

Side view
Vertical airflow direction louver: Down



● Air temperature distribution

Side view
Vertical airflow direction louver: Down



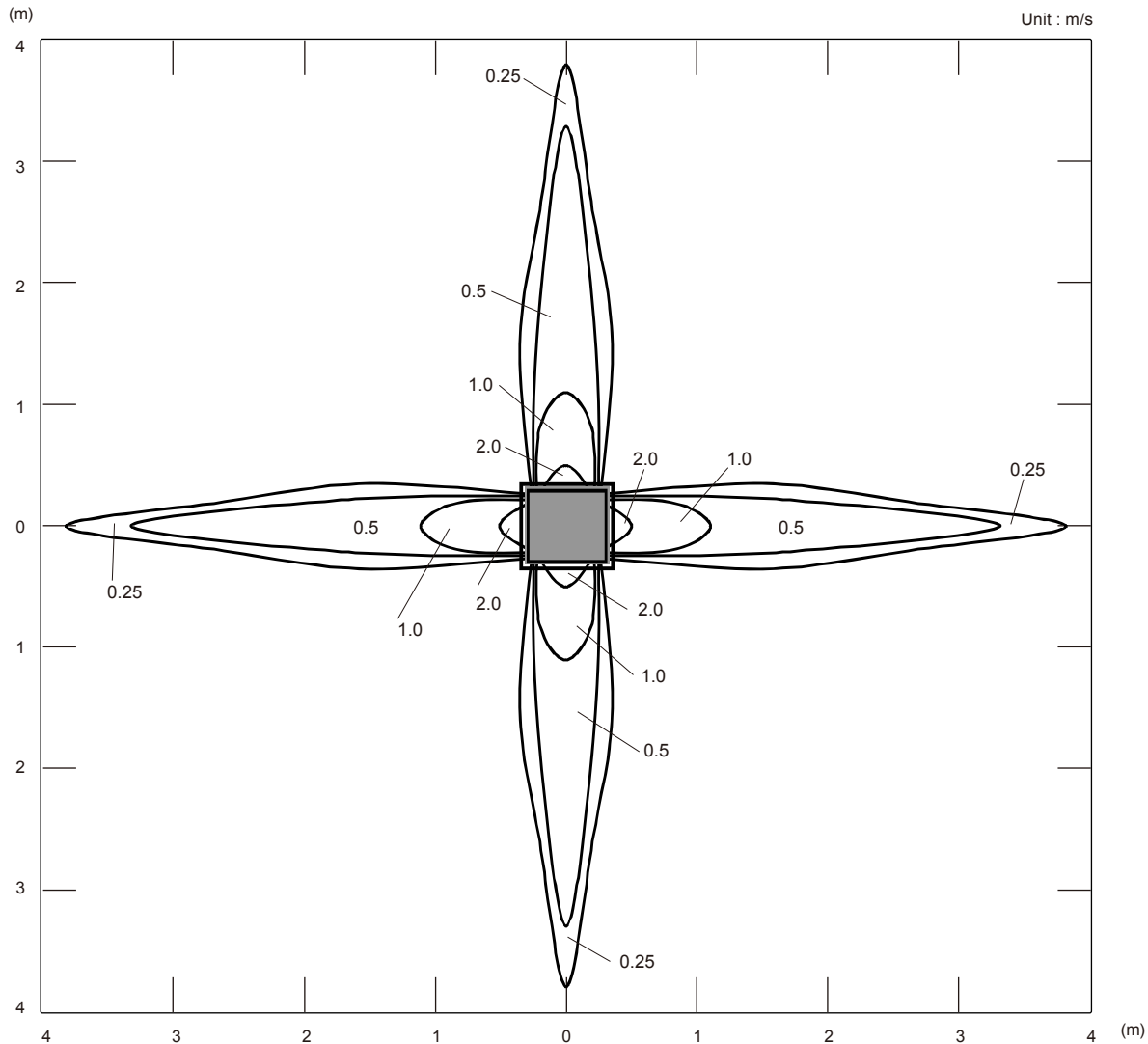
Conditions
Fan speed: HIGH
Operation mode: FAN

MODELS : AU*G12LVLA, AU*G12LVLB

● Air velocity distribution

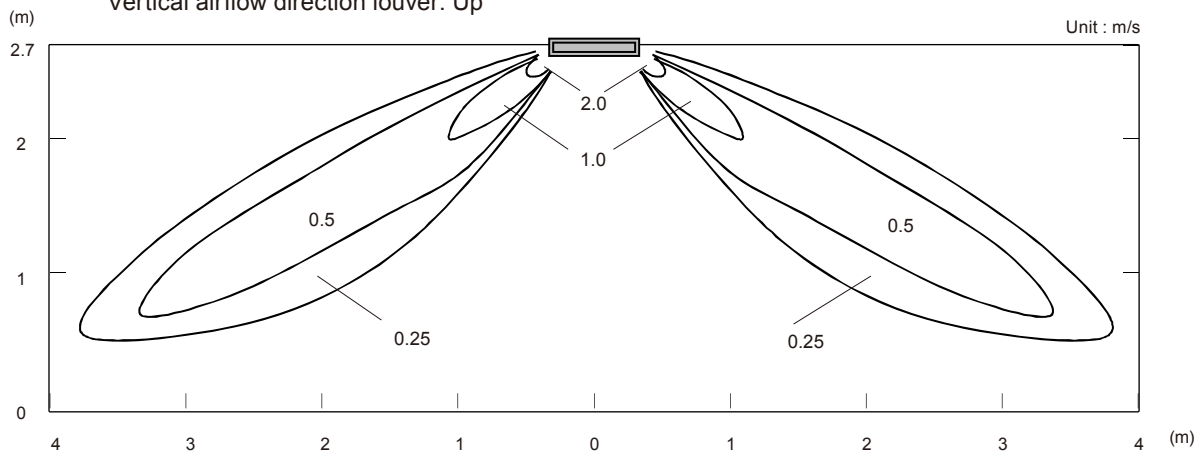
Top view

Vertical airflow direction louver: Up



Side view

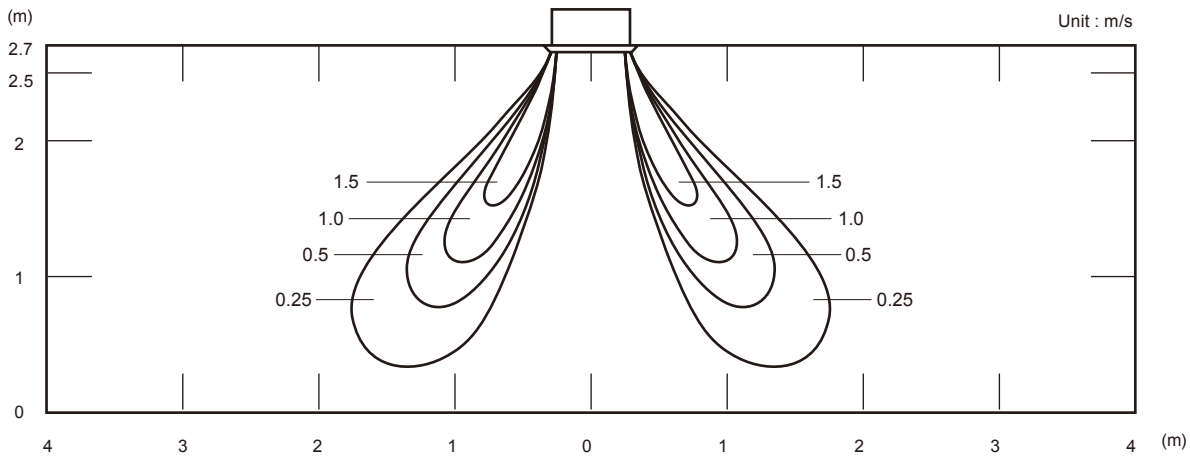
Vertical airflow direction louver: Up



Reference data
 Conditions
 Fan speed: HIGH
 Operation mode: HEATING
 Vertical airflow direction louver: 4 WAY

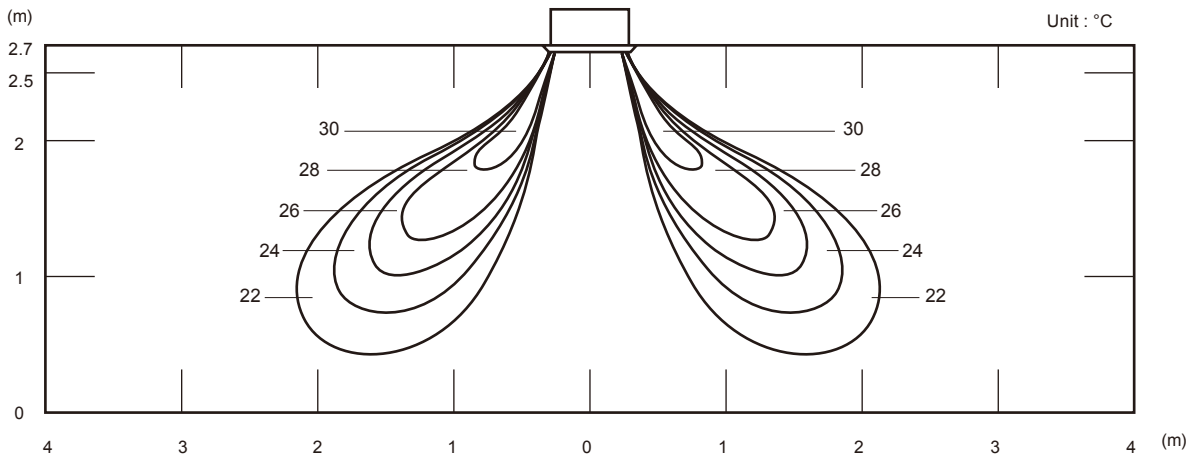
● Air velocity distribution

Side view
 Vertical airflow direction louver: Down



● Air temperature distribution

Side view
 Vertical airflow direction louver: Down

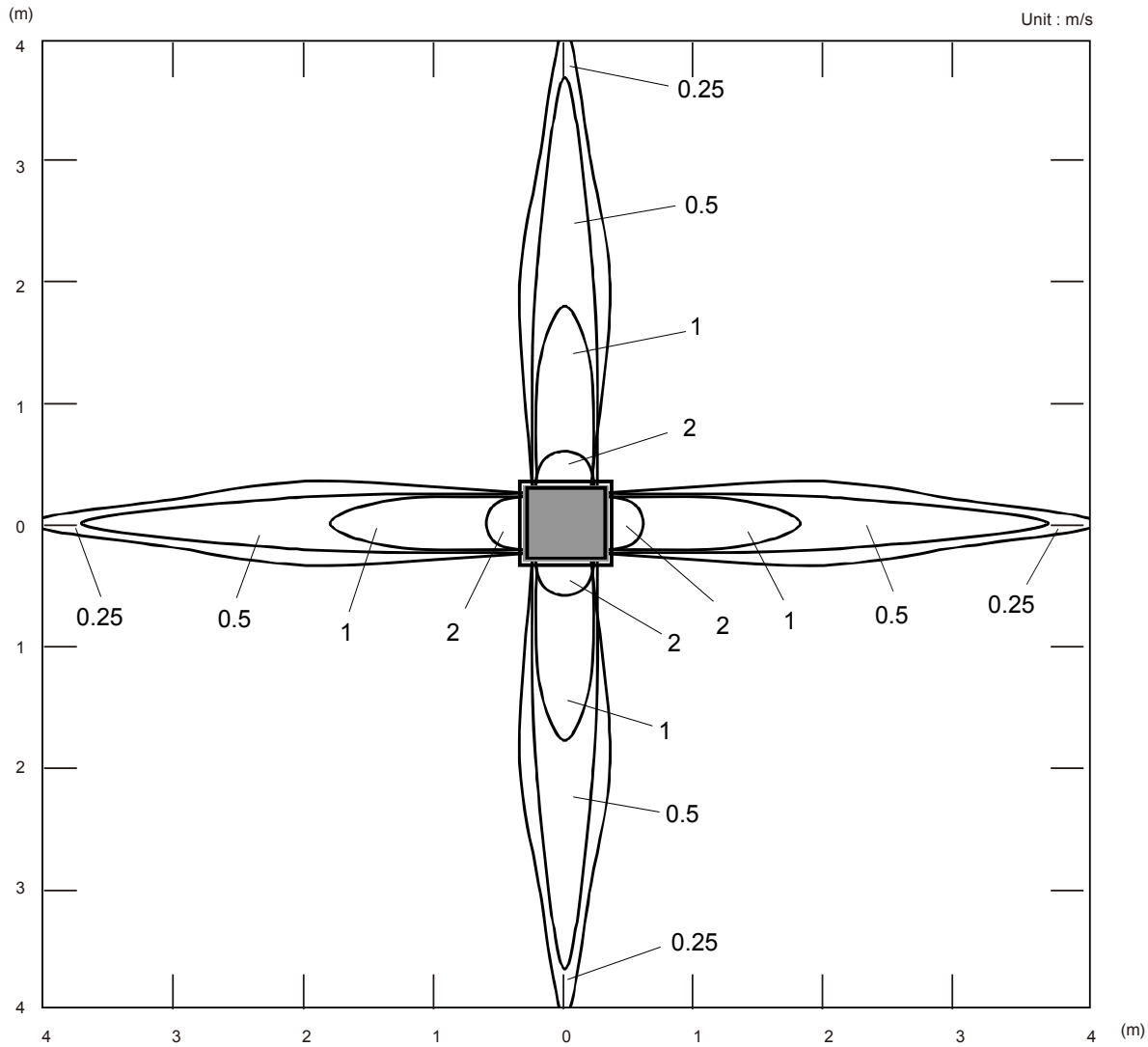


Conditions
Fan speed: HIGH
Operation mode: FAN

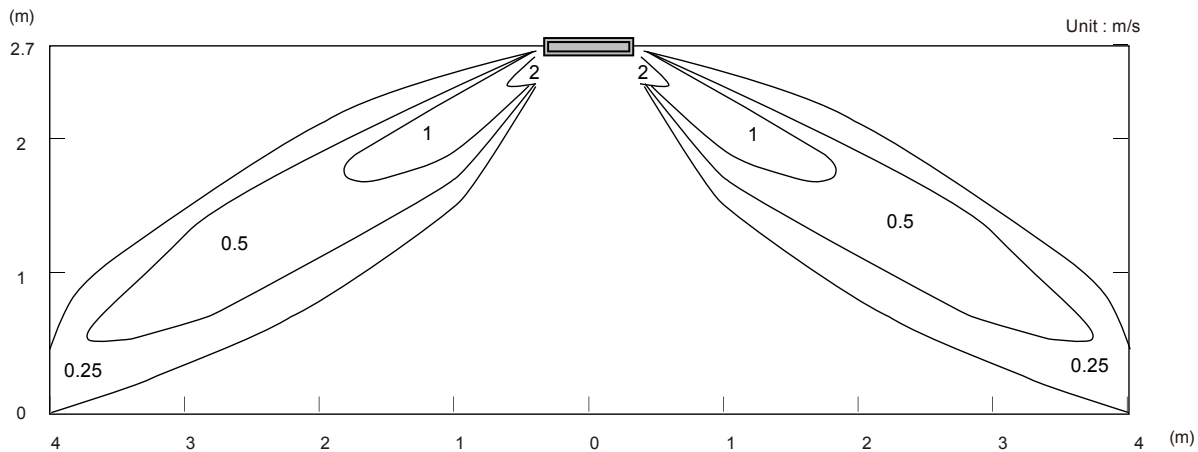
MODELS : AU*G14LVLA, AU*G14LVLB

● Air velocity distribution

Top view
Vertical airflow direction louver: Up



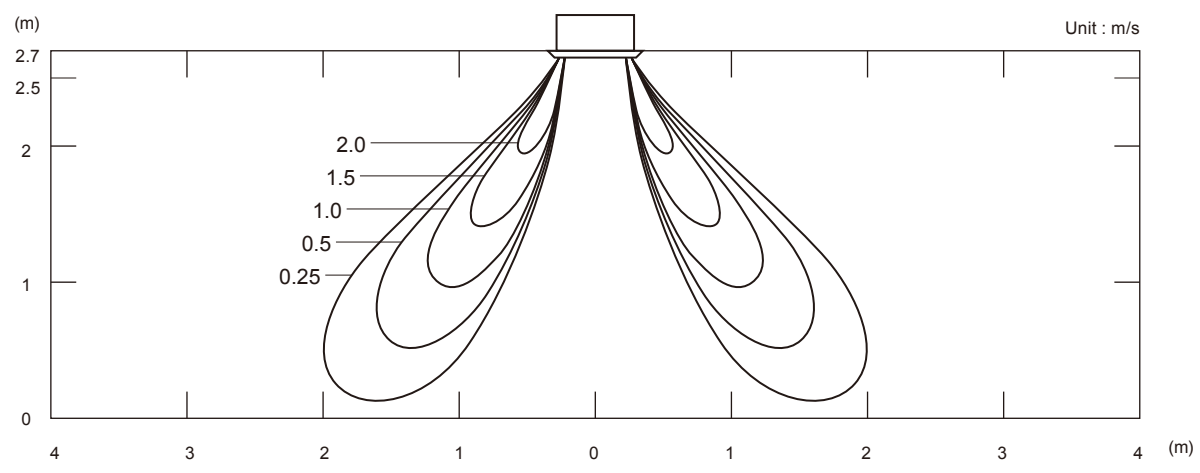
Side view
Vertical airflow direction louver: Up



Reference data
Conditions
Fan speed: HIGH
Operation mode: HEATING
Vertical airflow direction louver: 4 WAY

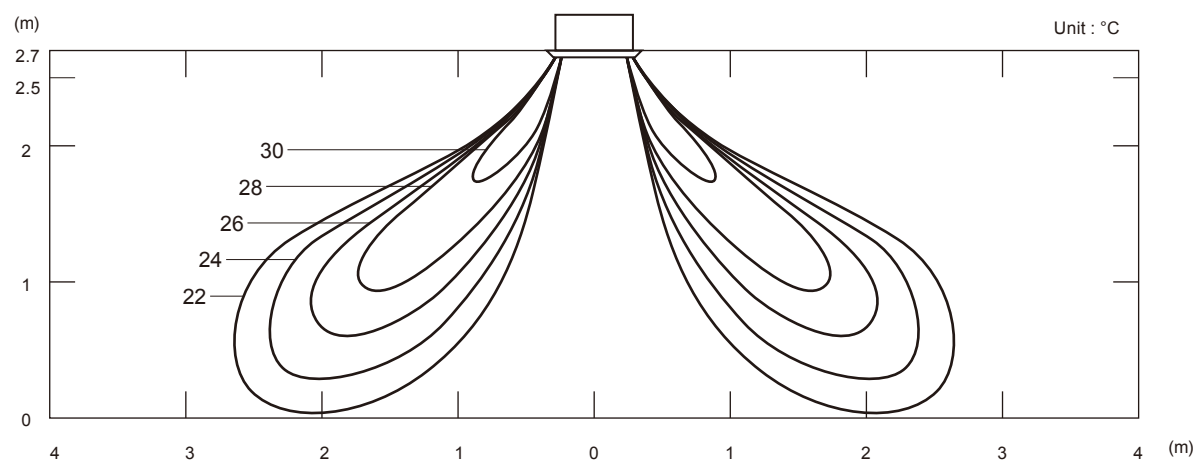
● Air velocity distribution

Side view
Vertical airflow direction louver: Down



● Air temperature distribution

Side view
Vertical airflow direction louver: Down

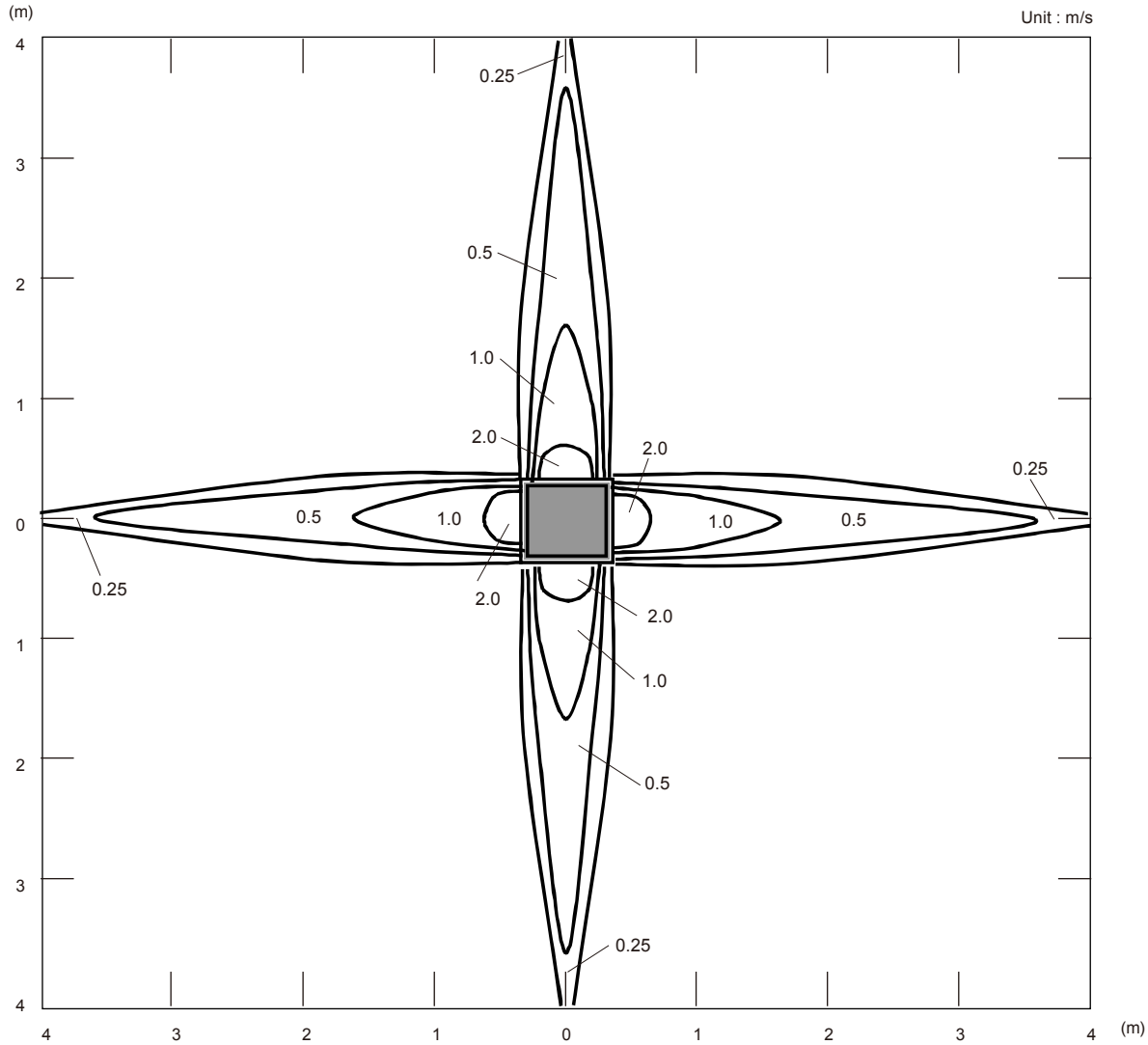


Conditions
Fan speed: HIGH
Operation mode: FAN

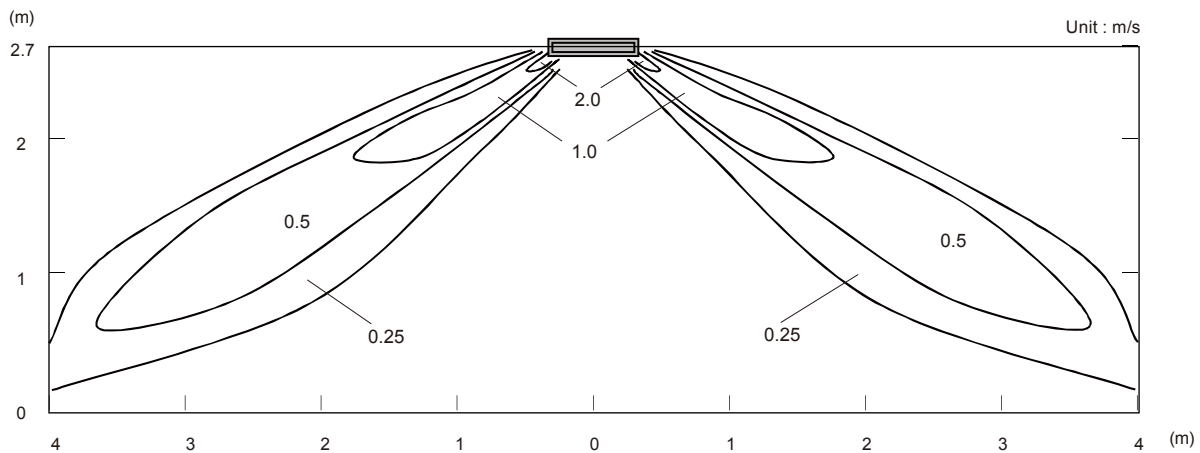
MODELS : AU*G18LVLA, AU*G18LVLB

● Air velocity distribution

Top view
Vertical airflow direction louver: Up



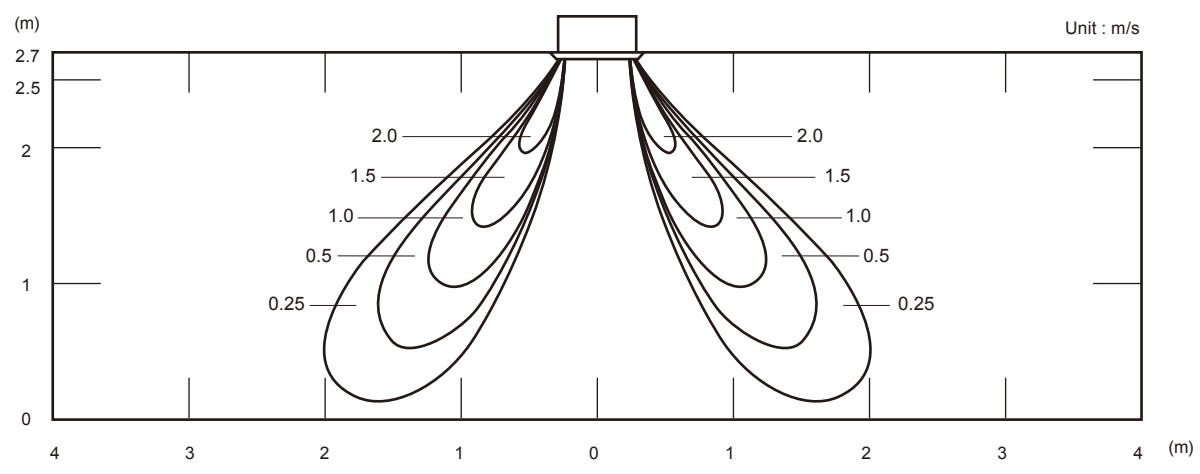
Side view
Vertical airflow direction louver: Up



Reference data
Conditions
Fan speed: HIGH
Operation mode: HEATING
Vertical airflow direction louver: 4 WAY

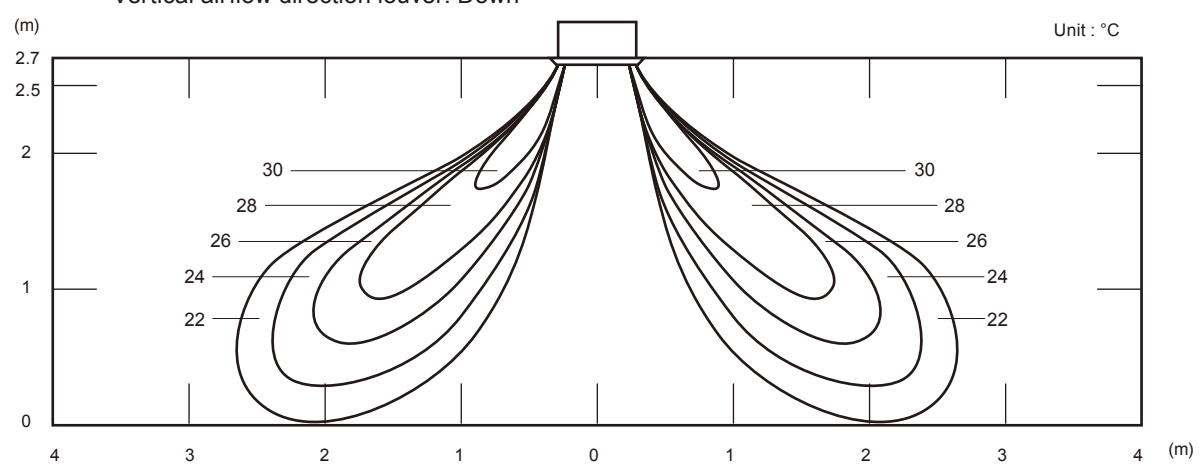
● Air velocity distribution

Side view
Vertical airflow direction louver: Down



● Air temperature distribution

Side view
Vertical airflow direction louver: Down



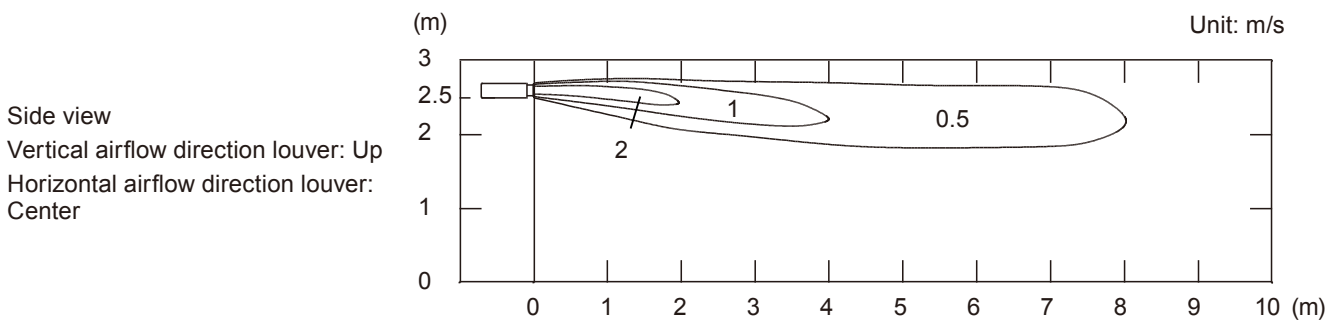
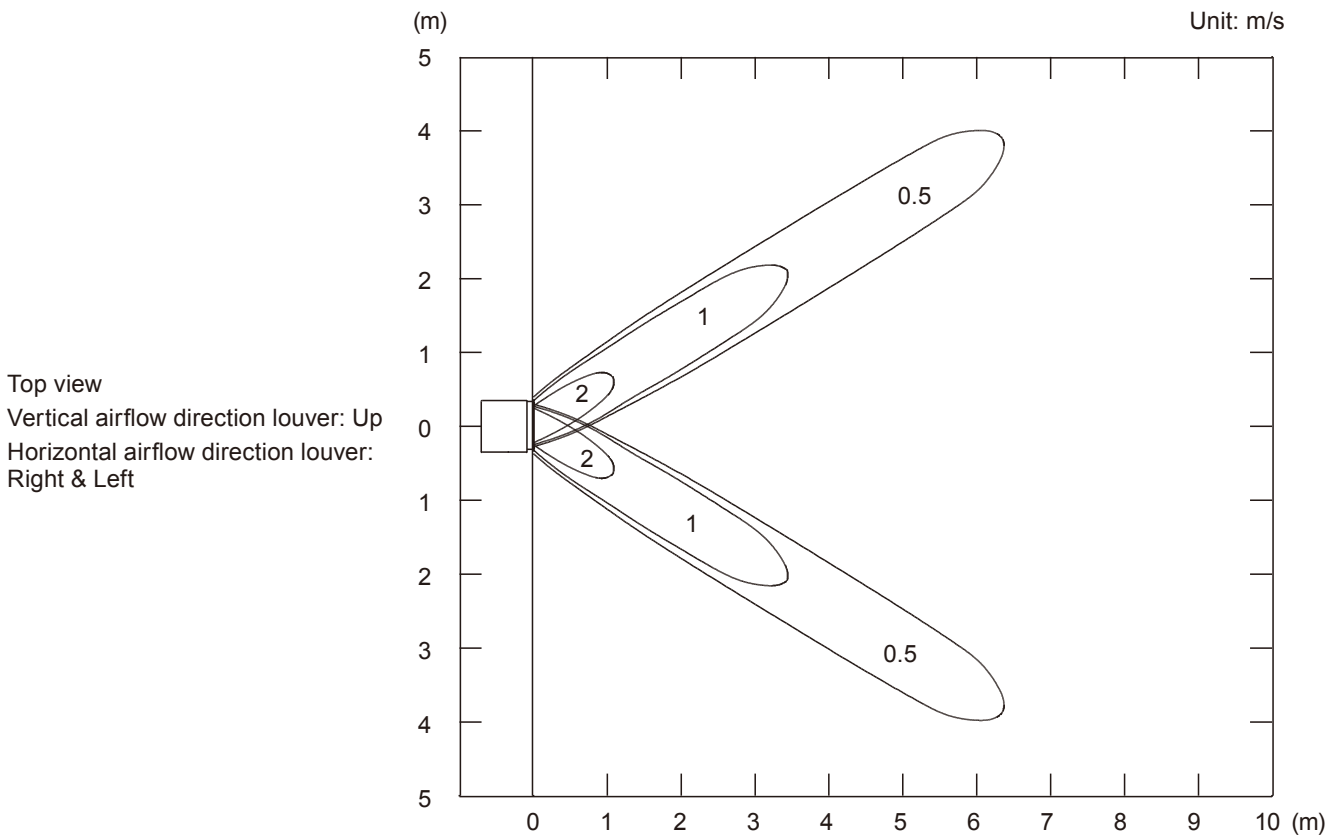
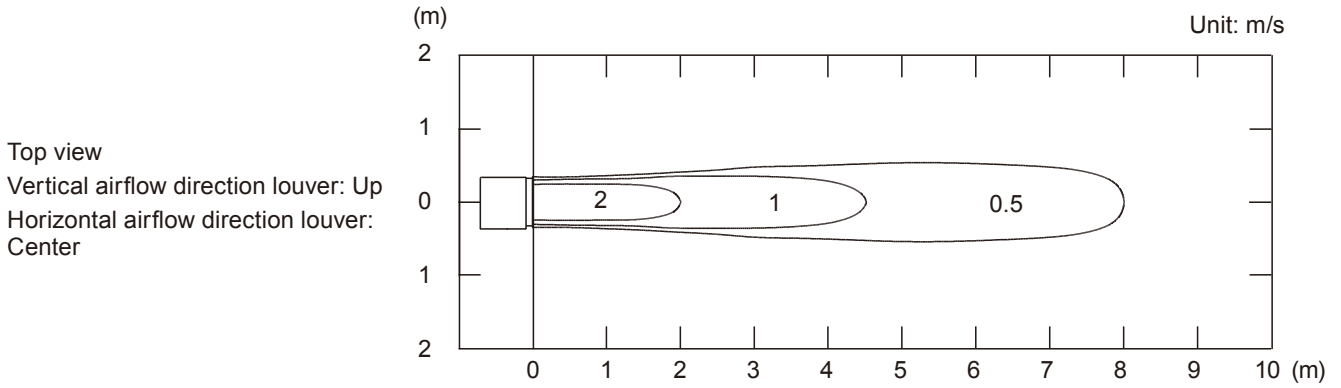
6-2. SLIM DUCT TYPE with Auto louver grille kit

MODEL : AR*G07LLTA (UTD-GXSA-W)

Note: This data is measured installing the Auto louver grille kit(option).

Conditions
Fan speed: HIGH
Operation mode: FAN

● Air velocity distribution

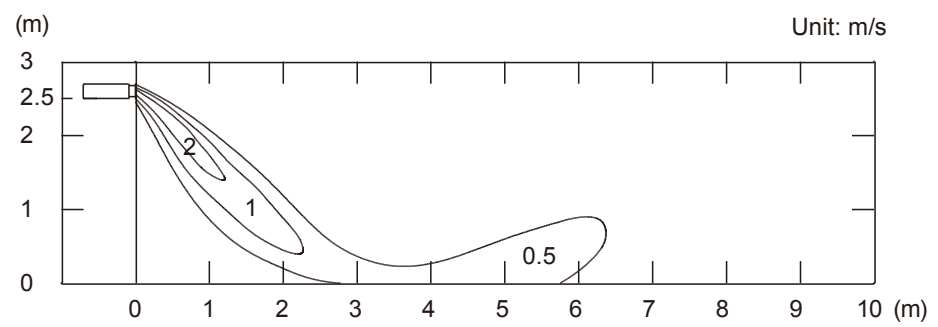


Note: This data is measured installing the Auto louver grille kit(option).

Reference Data
Conditions
Fan speed: HIGH
Operation mode: HEATING

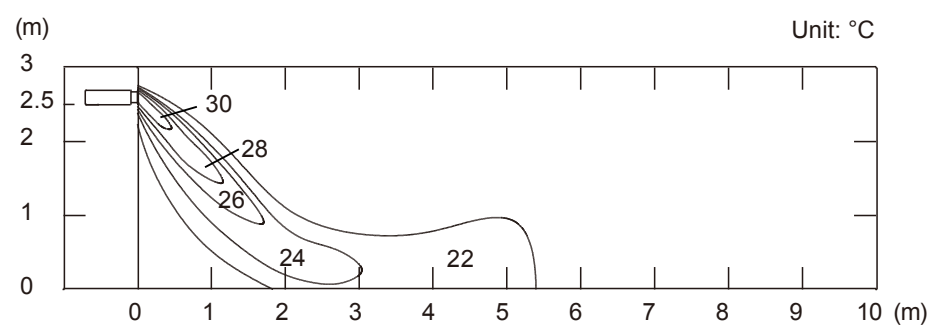
● Air velocity distribution

Side view
Vertical airflow direction louver:
Down
Horizontal airflow direction louver:
Center



● Air temperature distribution

Side view
Vertical airflow direction louver:
Down
Horizontal airflow direction louver:
Center



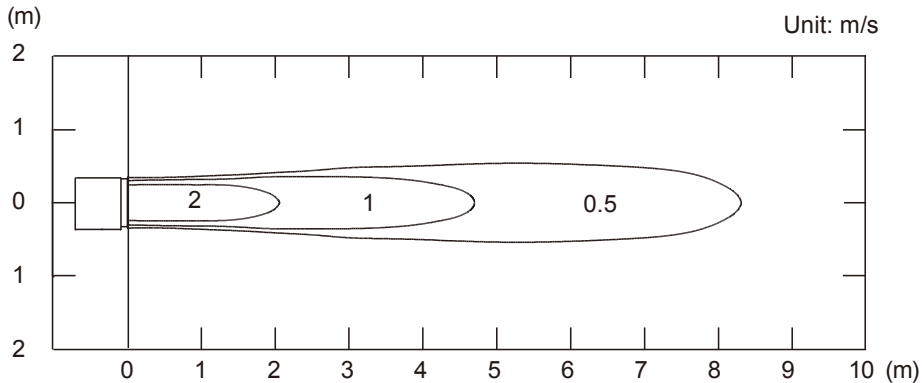
MODEL : AR*G09LLTA (UTD-GXSA-W)

Note: This data is measured installing the Auto louver grille kit(option).

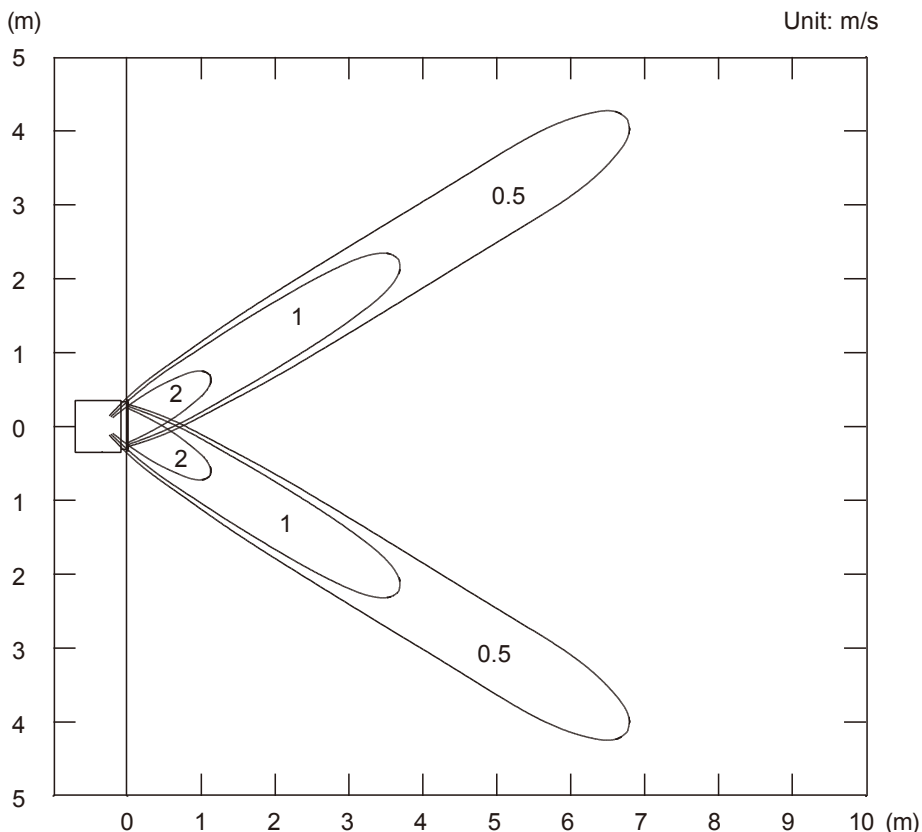
Conditions
Fan speed: HIGH
Operation mode: FAN

● **Air velocity distribution**

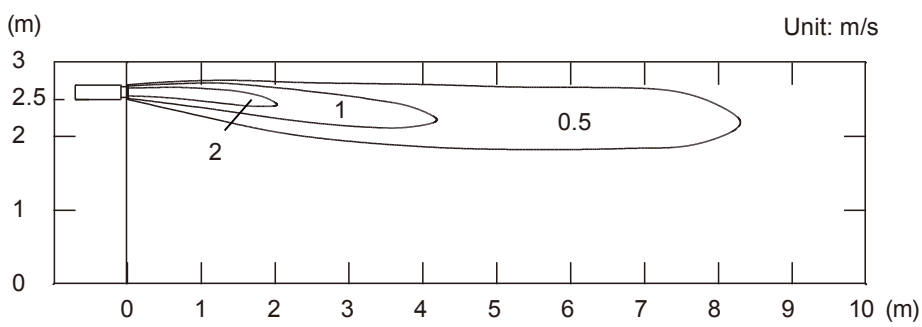
Top view
Vertical airflow direction louver: Up
Horizontal airflow direction louver: Center



Top view
Vertical airflow direction louver: Up
Horizontal airflow direction louver: Right & Left



Side view
Vertical airflow direction louver: Up
Horizontal airflow direction louver: Center

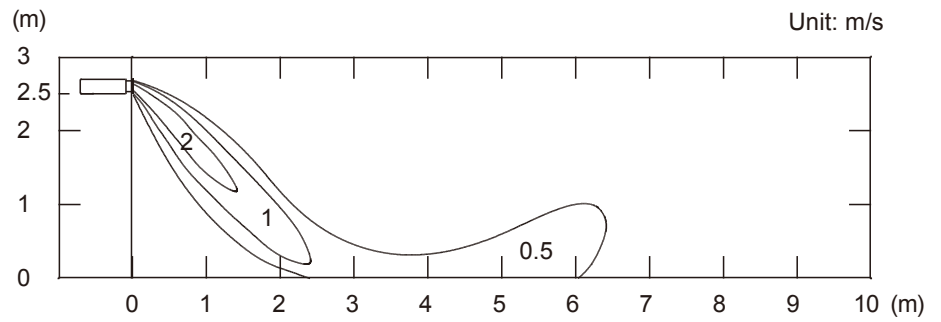


Note: This data is measured installing the Auto louver grille kit(option).

Reference Data
Conditions
Fan speed: HIGH
Operation mode: HEATING

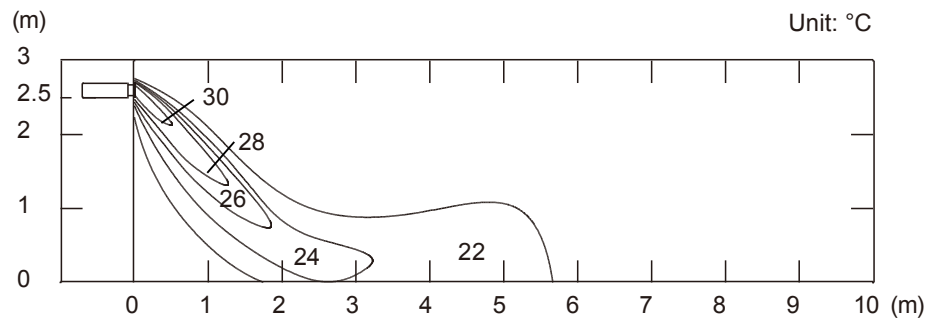
● Air velocity distribution

Side view
Vertical airflow direction louver:
Down
Horizontal airflow direction louver:
Center



● Air temperature distribution

Side view
Vertical airflow direction louver:
Down
Horizontal airflow direction louver:
Center



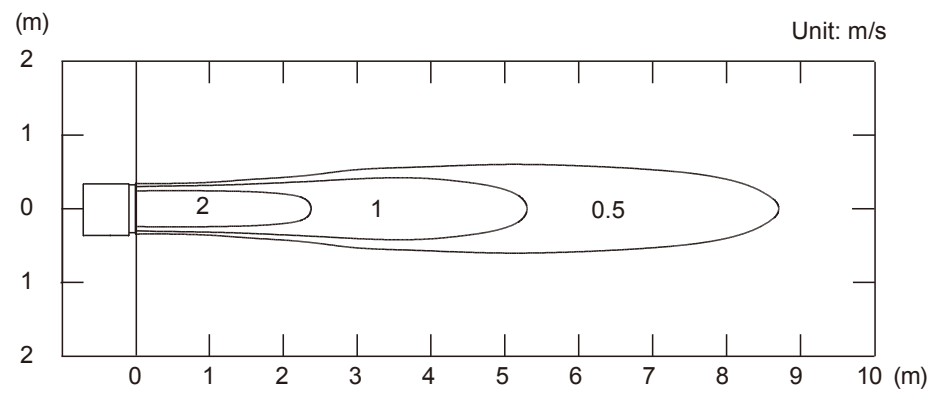
MODELS : AR*G12LLTA, AR*G12LLTB (UTD-GXSA-W)

Note: This data is measured installing the Auto louver grille kit(option).

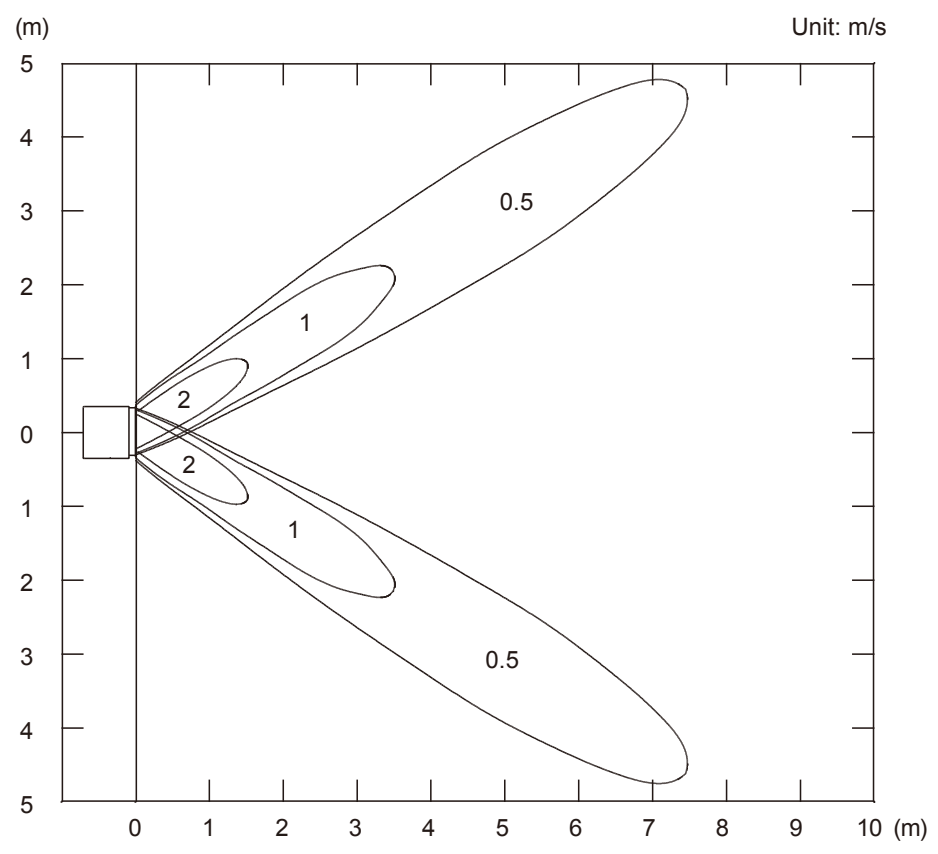
Conditions
Fan speed: HIGH
Operation mode: FAN

● Air velocity distribution

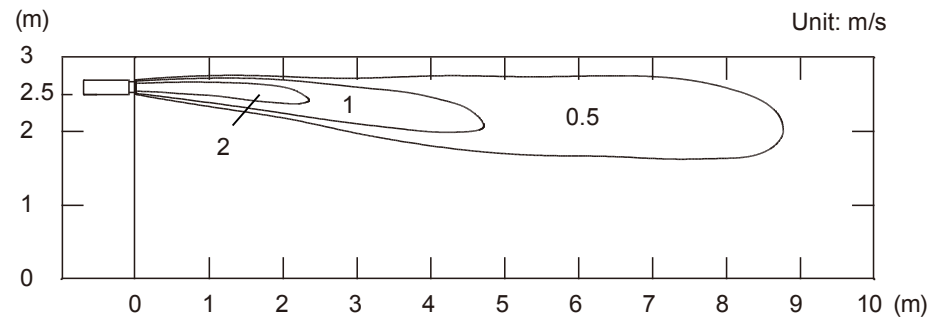
Top view
Vertical airflow direction louver: Up
Horizontal airflow direction louver: Center



Top view
Vertical airflow direction louver: Up
Horizontal airflow direction louver: Right & Left



Side view
Vertical airflow direction louver: Up
Horizontal airflow direction louver: Center

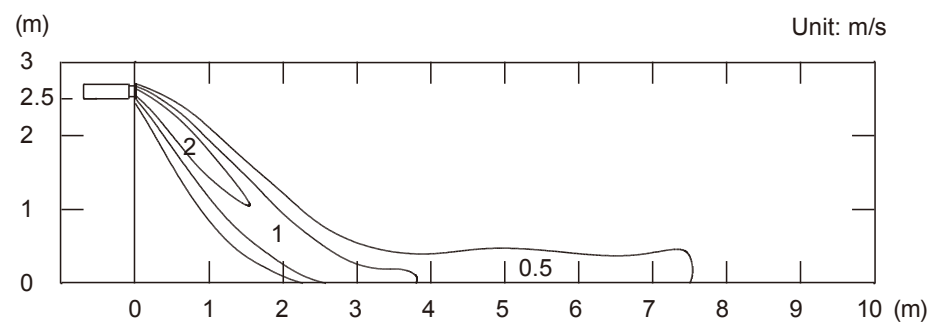


Note: This data is measured installing the Auto louver grille kit(option).

Reference Data
Conditions
Fan speed: HIGH
Operation mode: HEATING

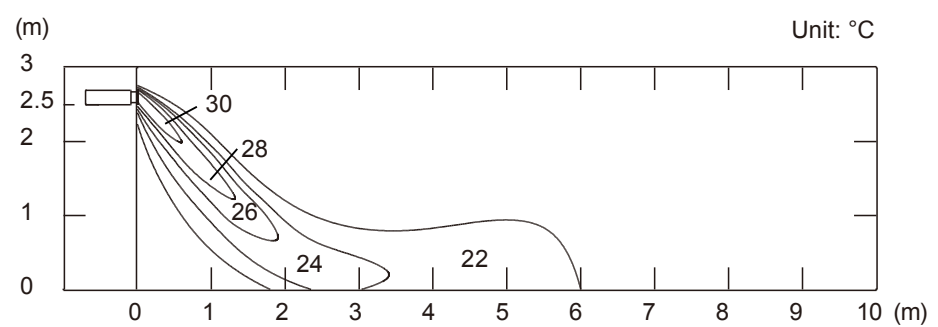
● Air velocity distribution

Side view
Vertical airflow direction louver:
Down
Horizontal airflow direction louver:
Center



● Air temperature distribution

Side view
Vertical airflow direction louver:
Down
Horizontal airflow direction louver:
Center



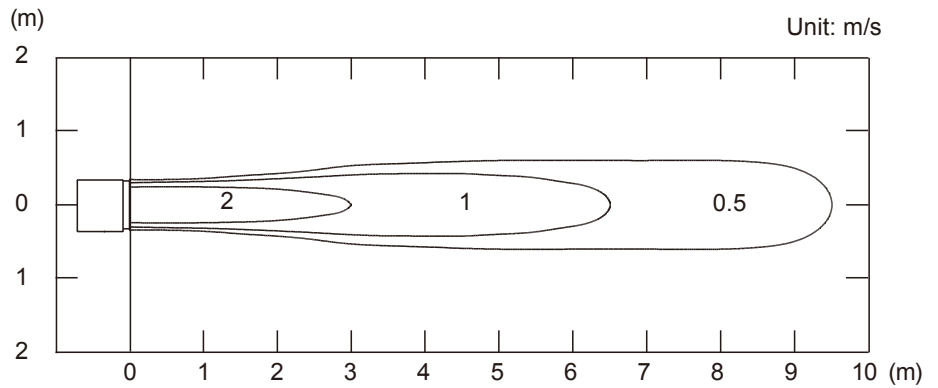
MODELS : AR*G14LLTA, AR*G14LLTB (UTD-GXSA-W)

Conditions
Fan speed: HIGH
Operation mode: FAN

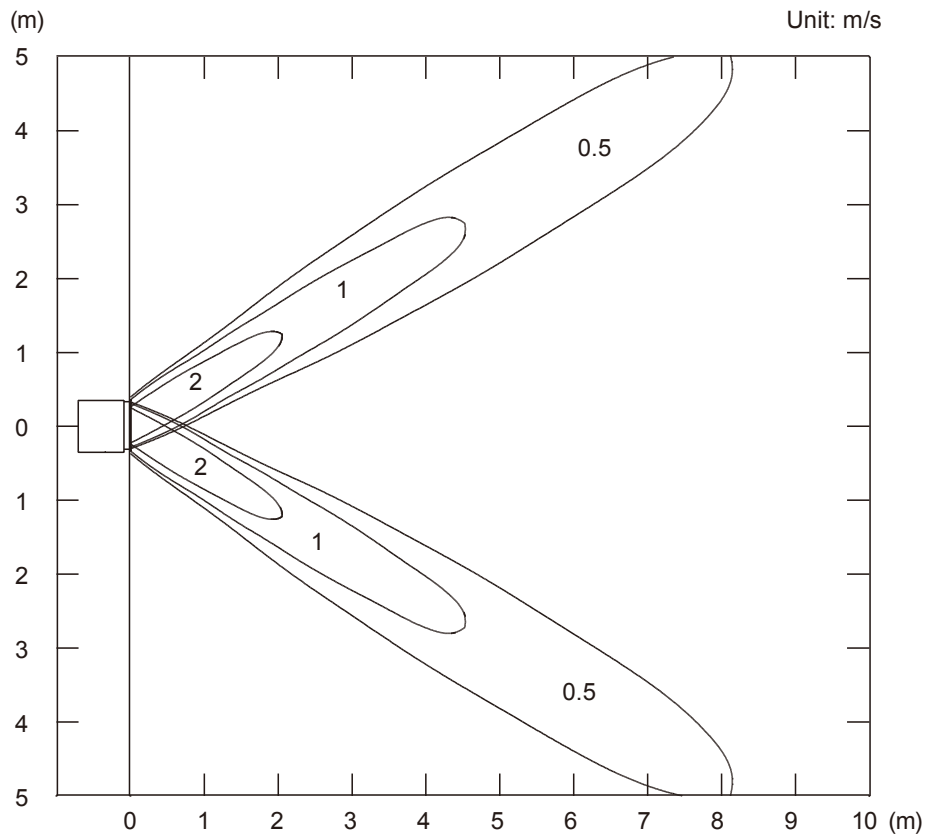
Note: This data is measured installing the Auto louver grille kit(option).

● Air velocity distribution

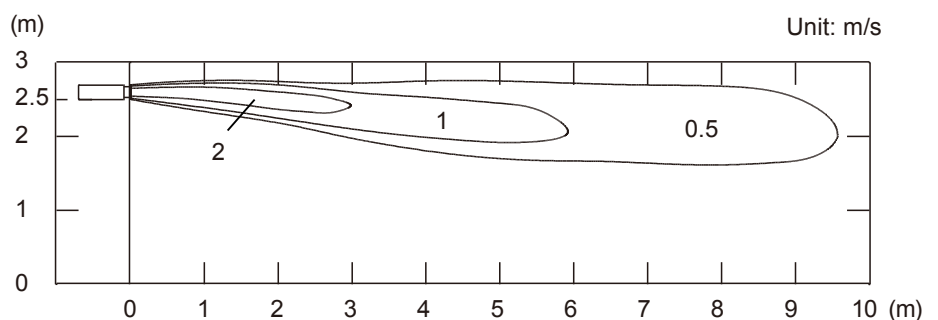
Top view
Vertical airflow direction louver: Up
Horizontal airflow direction louver: Center



Top view
Vertical airflow direction louver: Up
Horizontal airflow direction louver: Right & Left



Side view
Vertical airflow direction louver: Up
Horizontal airflow direction louver: Center

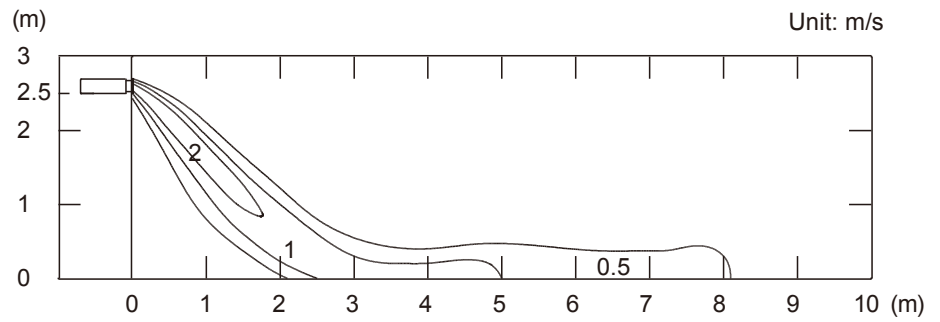


Note: This data is measured installing the Auto louver grille kit(option).

Reference Data
Conditions
Fan speed: HIGH
Operation mode: HEATING

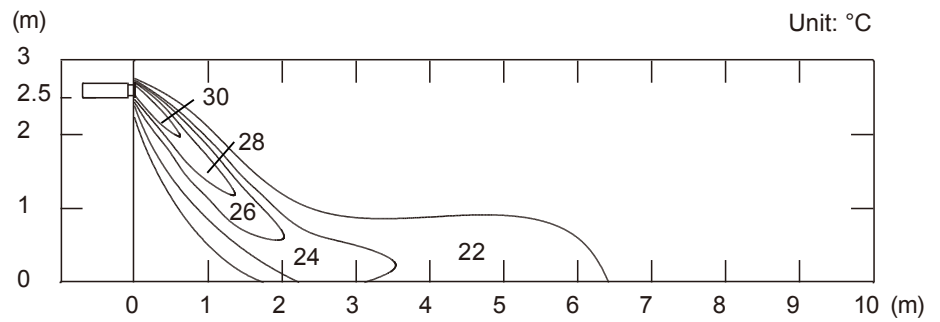
● Air velocity distribution

Side view
Vertical airflow direction louver:
Down
Horizontal airflow direction louver:
Center



● Air temperature distribution

Side view
Vertical airflow direction louver:
Down
Horizontal airflow direction louver:
Center



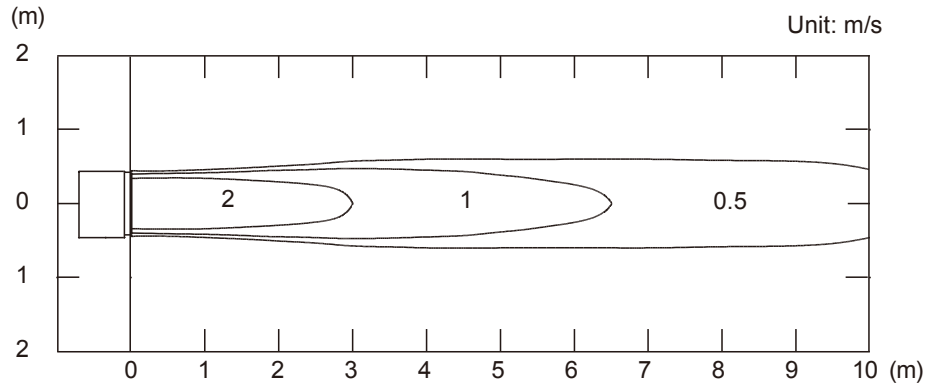
**MODELS : AR*G18LLTA, AR*G18LLTB
(UTD-GXSB-W)**

Note: This data is measured installing the Auto louver grille kit(option).

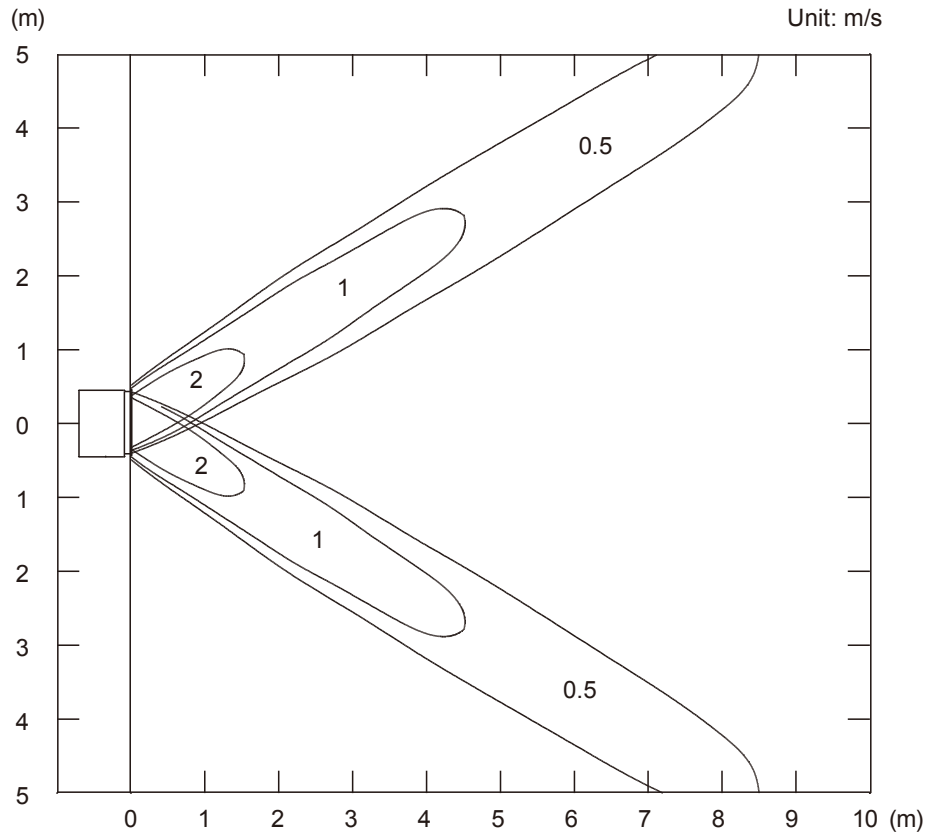
Conditions
Fan speed: HIGH
Operation mode: FAN

● Air velocity distribution

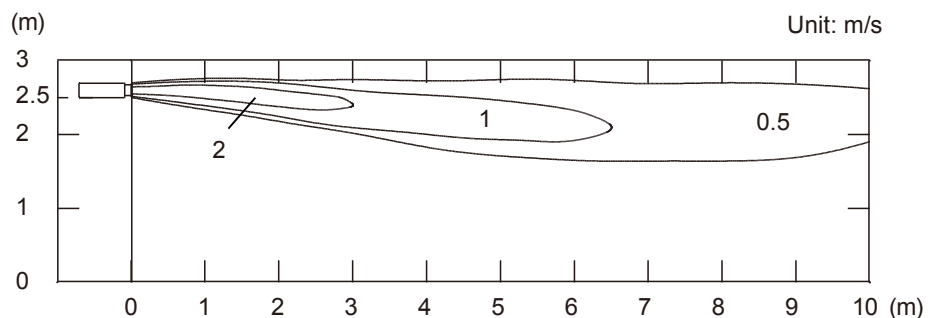
Top view
Vertical airflow direction louver: Up
Horizontal airflow direction louver: Center



Top view
Vertical airflow direction louver: Up
Horizontal airflow direction louver: Right & Left



Side view
Vertical airflow direction louver: Up
Horizontal airflow direction louver: Center

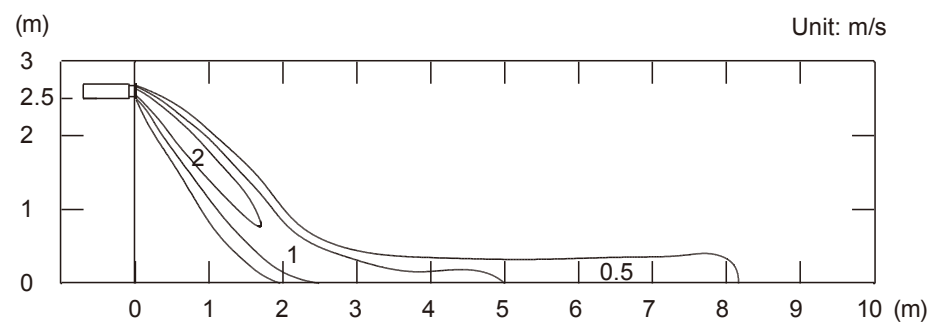


Note: This data is measured installing the Auto louver grille kit(option).

Reference Data
Conditions
Fan speed: HIGH
Operation mode: HEATING

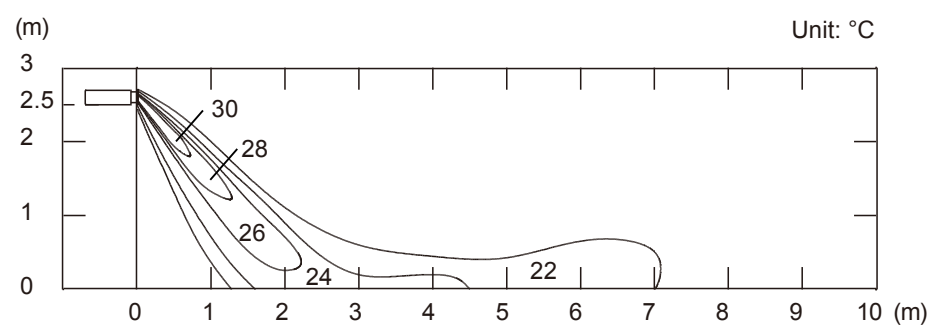
● Air velocity distribution

Side view
Vertical airflow direction louver:
Down
Horizontal airflow direction louver:
Center



● Air temperature distribution

Side view
Vertical airflow direction louver:
Down
Horizontal airflow direction louver:
Center

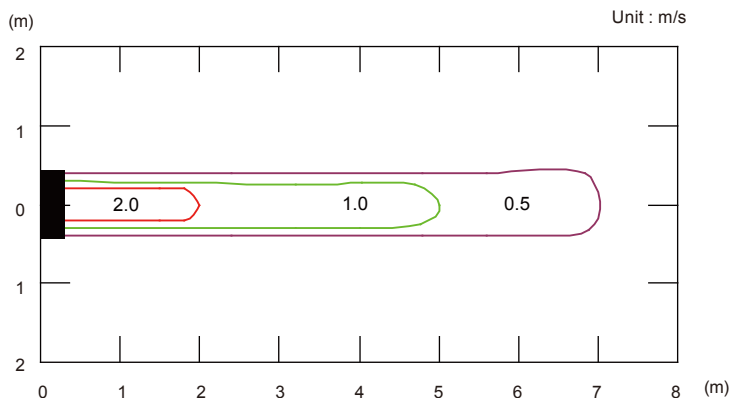


6-3. WALL MOUNTED TYPE

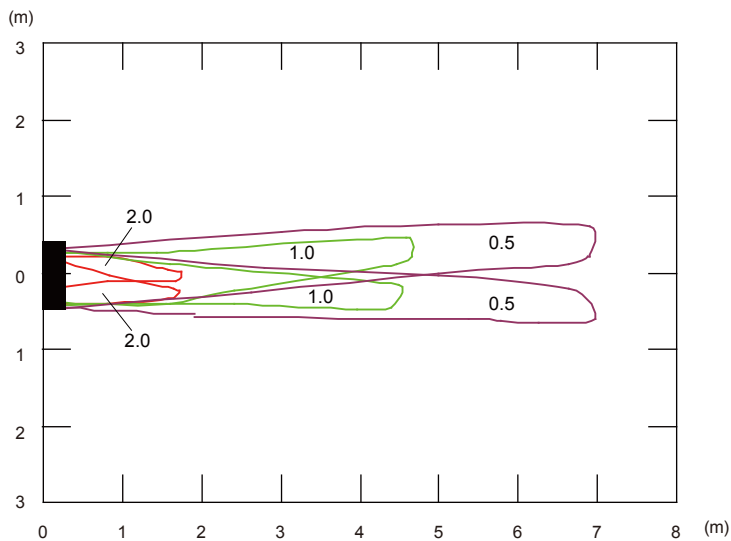
■ MODEL : AS*G07LJCA

Conditions
Fan speed: HIGH
Operation mode: FAN

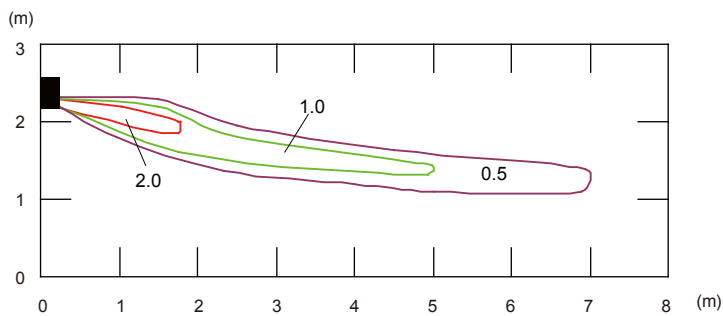
Top view
Vertical airflow direction
louver: Up
Horizontal airflow direction
louver: Center



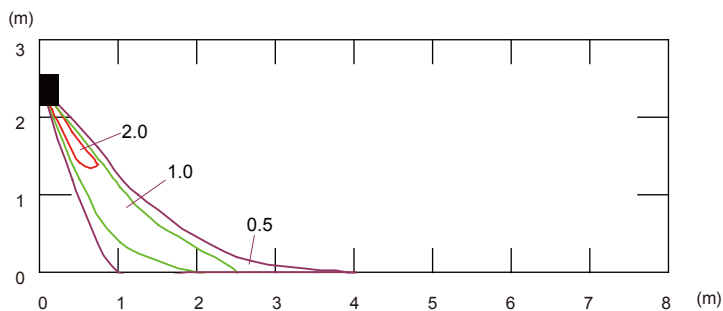
Top view
Vertical airflow direction
louver: Up
Horizontal airflow direction
louver: Right & Left



Side view
Vertical airflow direction
louver: Up
Horizontal airflow direction
louver: Center



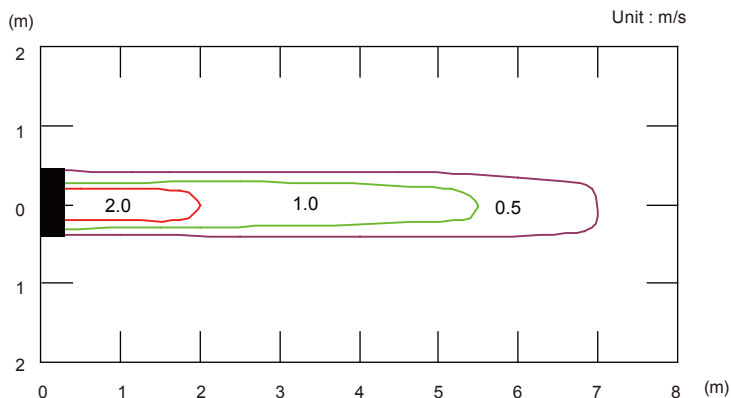
Side view
Vertical airflow direction
louver: Down
Horizontal airflow direction
louver: Center



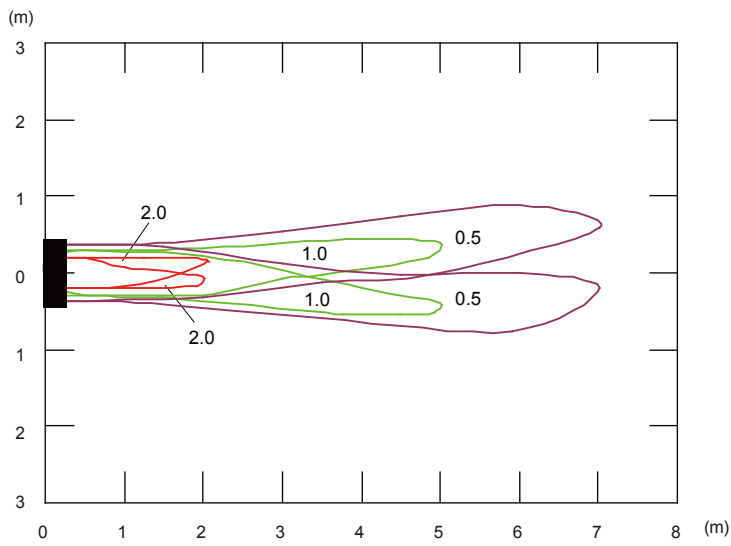
■ MODEL : AS*G09LJCA

Conditions
Fan speed: HIGH
Operation mode: FAN

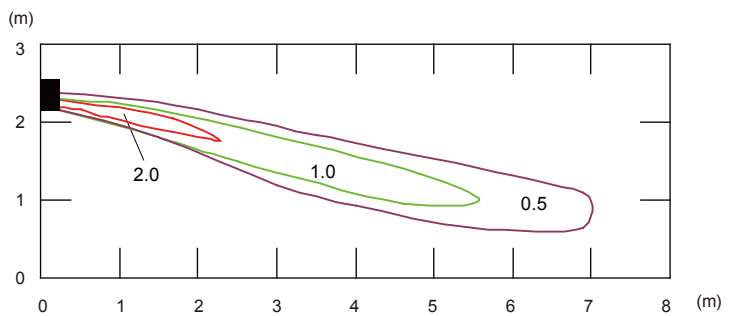
Top view
Vertical airflow direction
louver: Up
Horizontal airflow direction
louver: Center



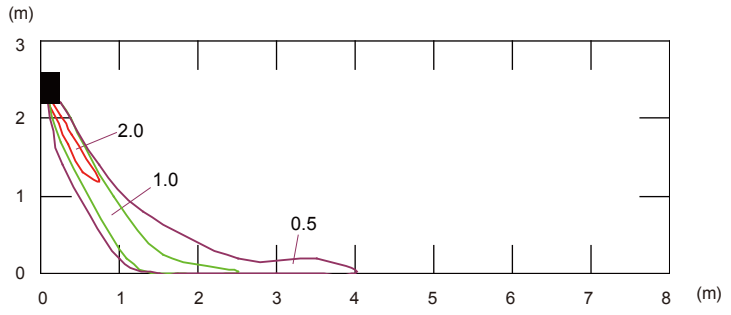
Top view
Vertical airflow direction
louver: Up
Horizontal airflow direction
louver: Right & Left



Side view
Vertical airflow direction
louver: Up
Horizontal airflow direction
louver: Center



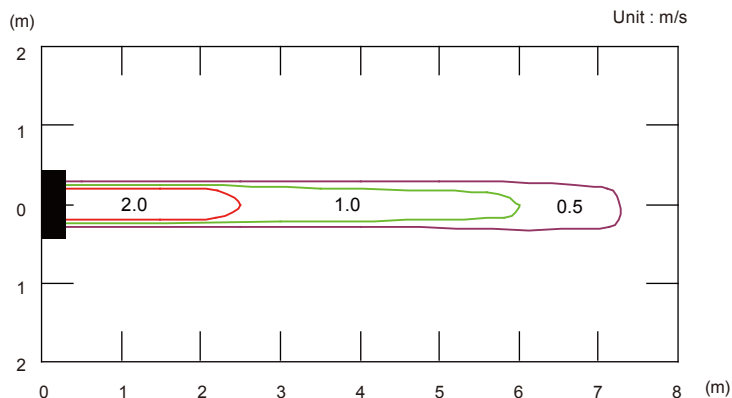
Side view
Vertical flap : Down
Horizontal flap : Center



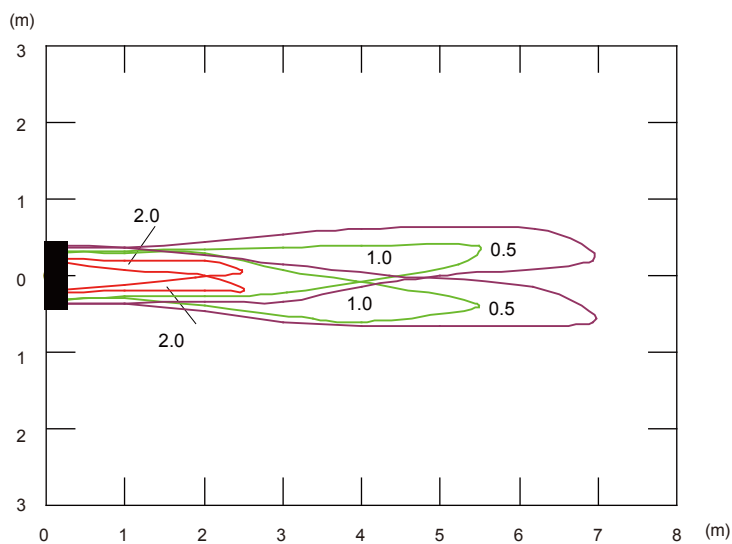
MODEL : AS*G12LJCA

Conditions
Fan speed: HIGH
Operation mode: FAN

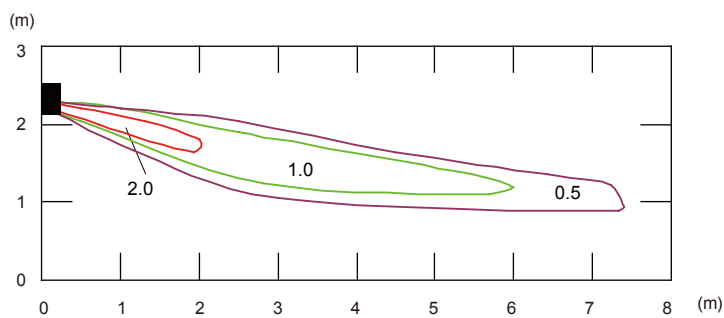
Top view
Vertical airflow direction
louver: Up
Horizontal airflow direction
louver: Center



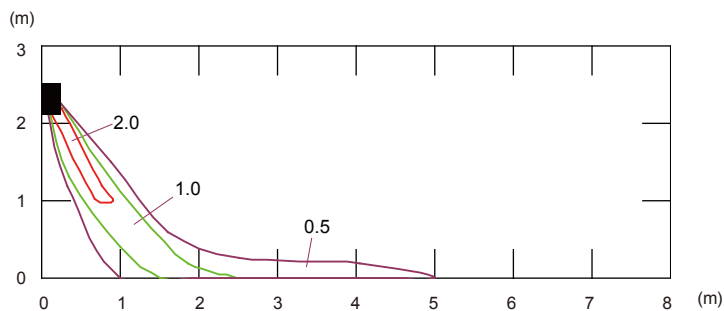
Top view
Vertical airflow direction
louver: Up
Horizontal airflow direction
louver: Right & Left



Side view
Vertical airflow direction
louver: Up
Horizontal airflow direction
louver: Center



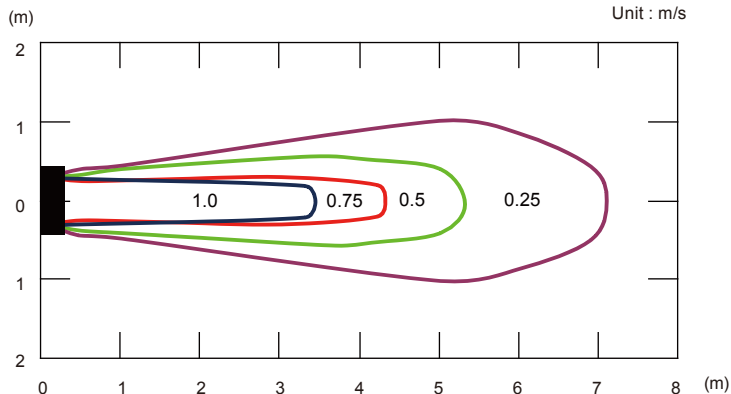
Side view
Vertical airflow direction
louver: Down
Horizontal airflow direction
louver: Center



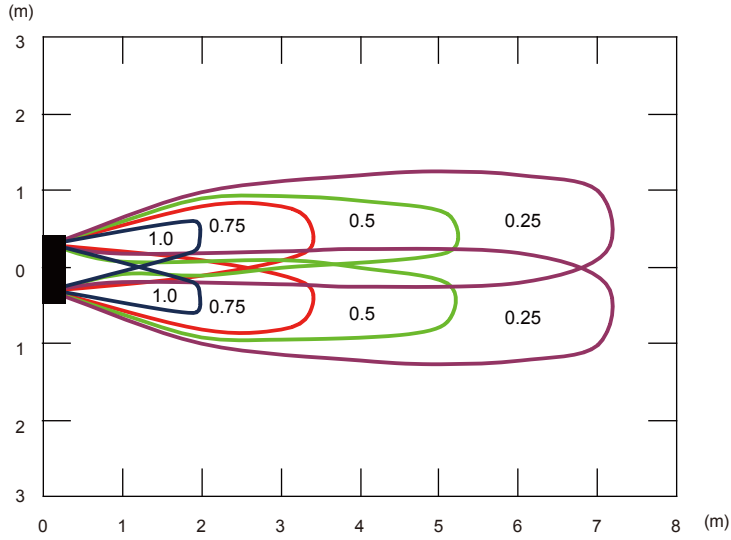
MODELS : AS*G07LUCA, AS*G09LUCA

Conditions
Fan speed: HIGH
Operation mode: FAN

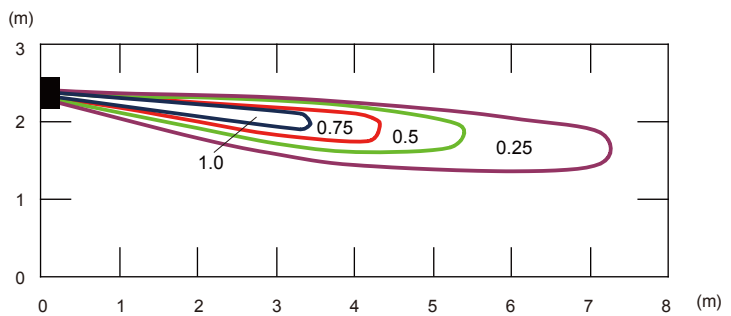
Top view
Vertical airflow direction
louver: Up
Horizontal airflow direction
louver: Center



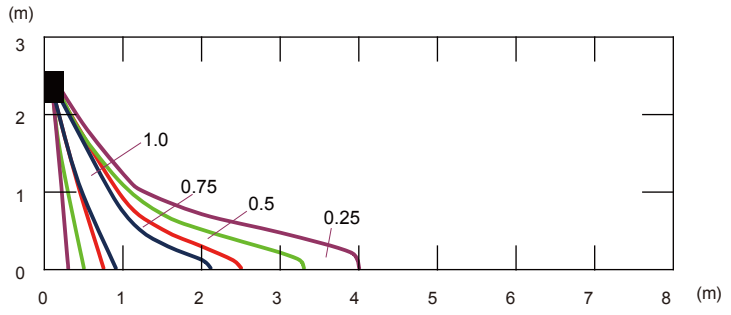
Top view
Vertical airflow direction
louver: Up
Horizontal airflow direction
louver: Right & Left



Side view
Vertical airflow direction
louver: Up
Horizontal airflow direction
louver: Center



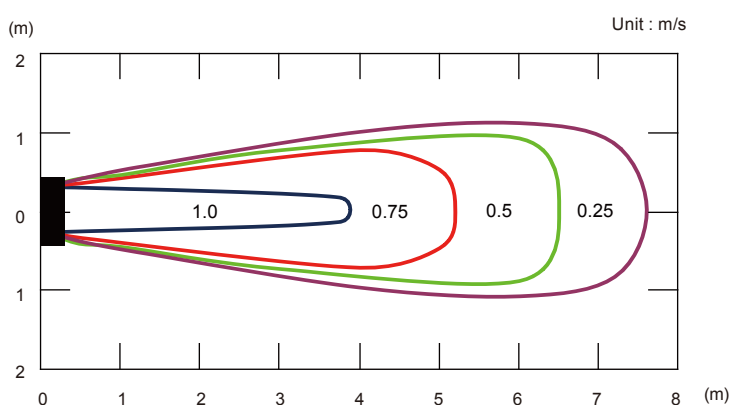
Side view
Vertical airflow direction
louver: Down
Horizontal airflow direction
louver: Center



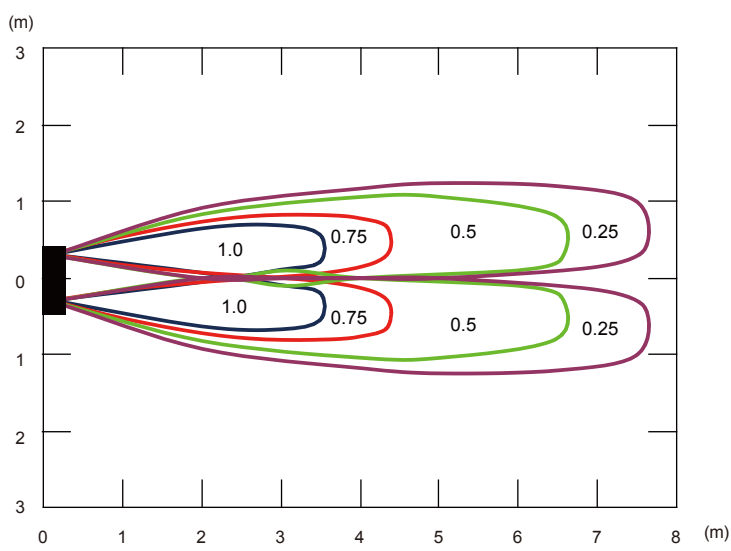
Conditions
Fan speed: HIGH
Operation mode: FAN

MODELS : AS*G12LUCA, AS*G14LUCA

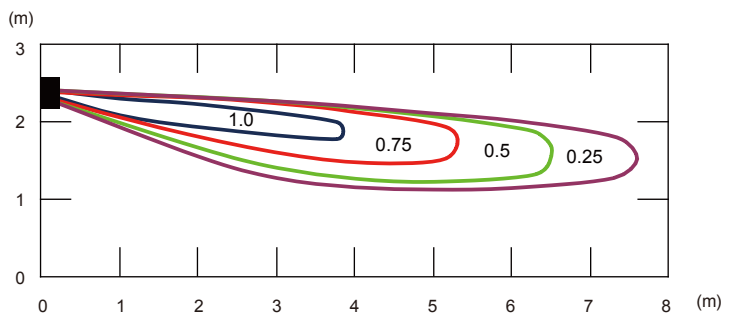
Top view
Vertical airflow direction
louver: Up
Horizontal airflow direction
louver: Center



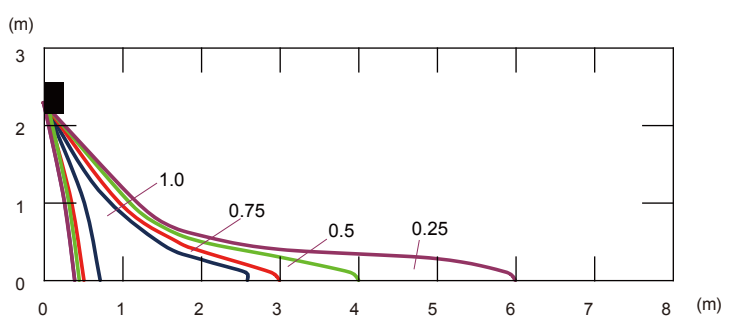
Top view
Vertical airflow direction
louver: Up
Horizontal airflow direction
louver: Right & Left



Side view
Vertical airflow direction
louver: Up
Horizontal airflow direction
louver: Center



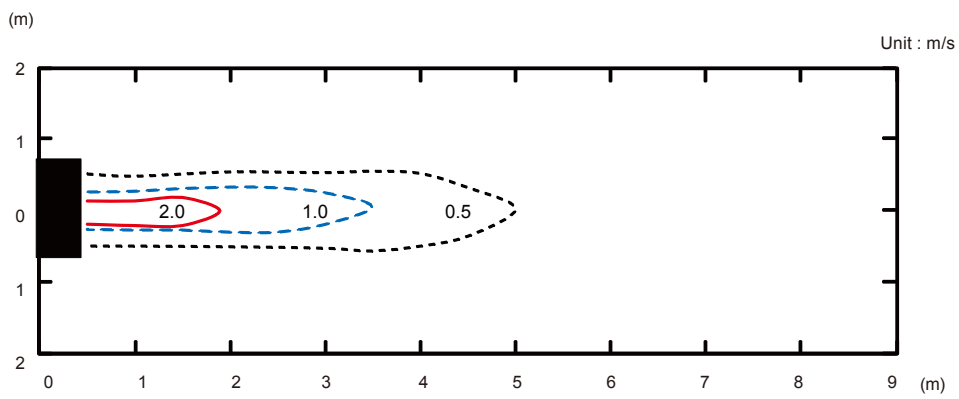
Side view
Vertical airflow direction
louver: Down
Horizontal airflow direction
louver: Center



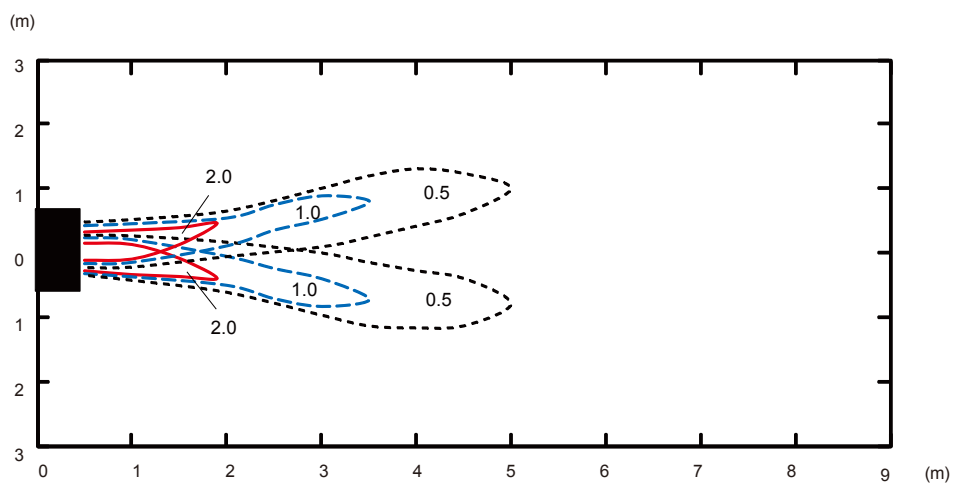
MODEL : AS*G07LMCA

Conditions
Fan speed: HIGH
Operation mode: FAN

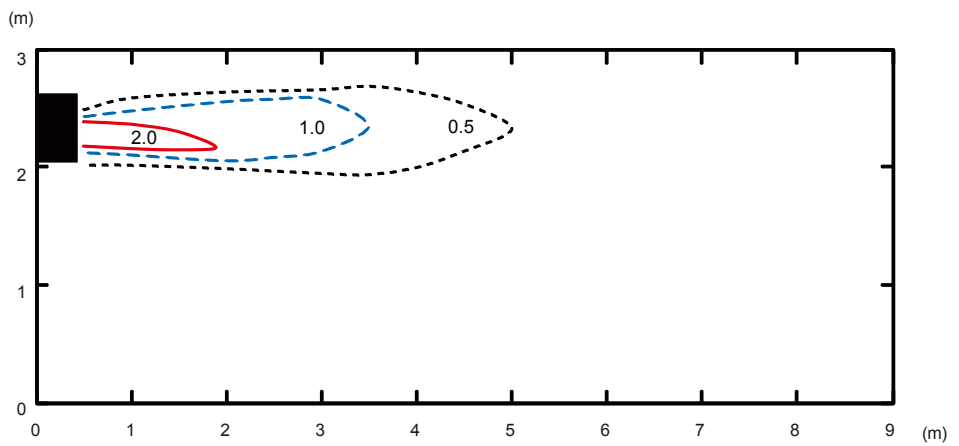
Top view
Vertical airflow direction
louver: Up
Horizontal airflow direction
louver: Center



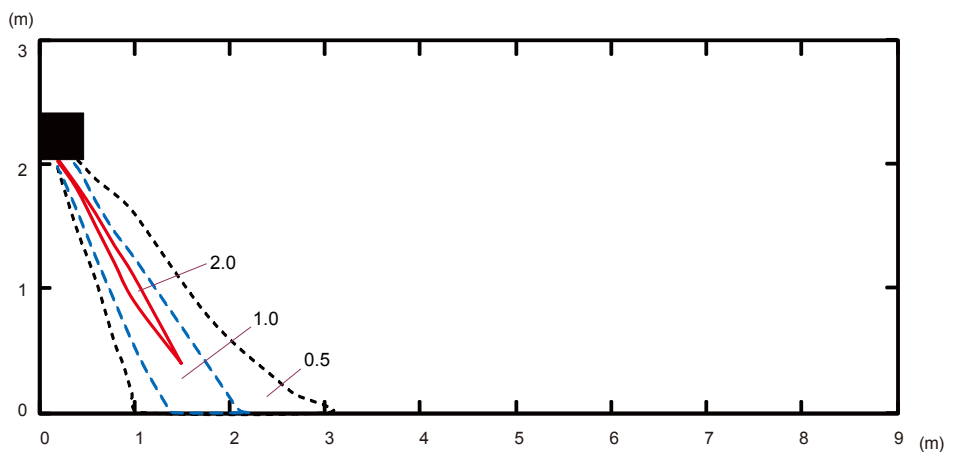
Top view
Vertical airflow direction
louver: Up
Horizontal airflow direction
louver: Right & Left



Side view
Vertical airflow direction
louver: Up
Horizontal airflow direction
louver: Center



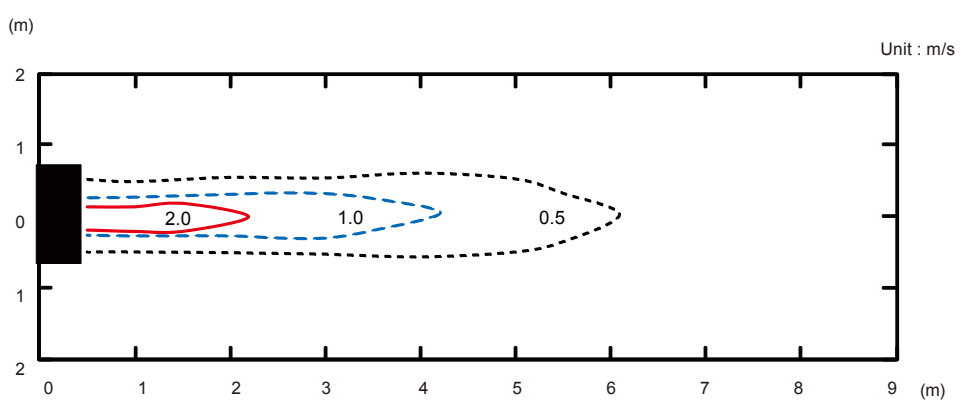
Side view
Vertical airflow direction
louver: Down
Horizontal airflow direction
louver: Center



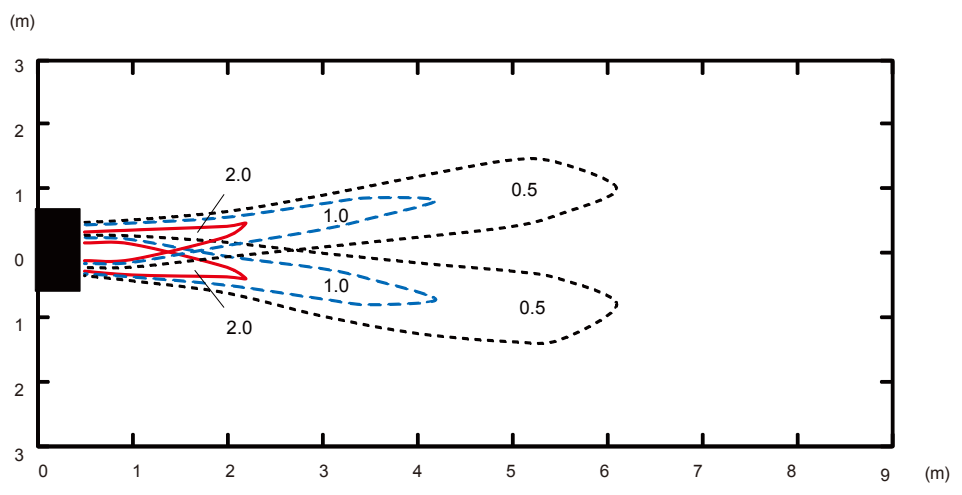
MODEL : AS*G09LMCA

Conditions
Fan speed: HIGH
Operation mode: FAN

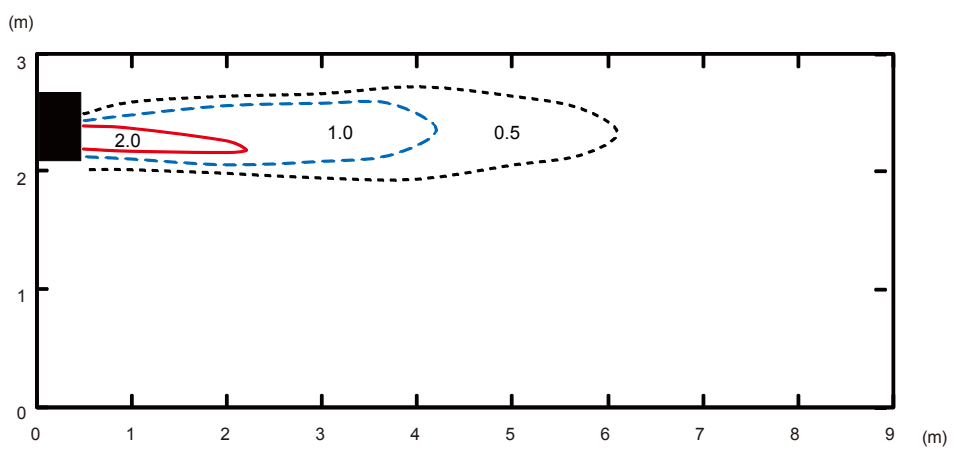
Top view
Vertical airflow direction
louver: Up
Horizontal airflow direction
louver: Center



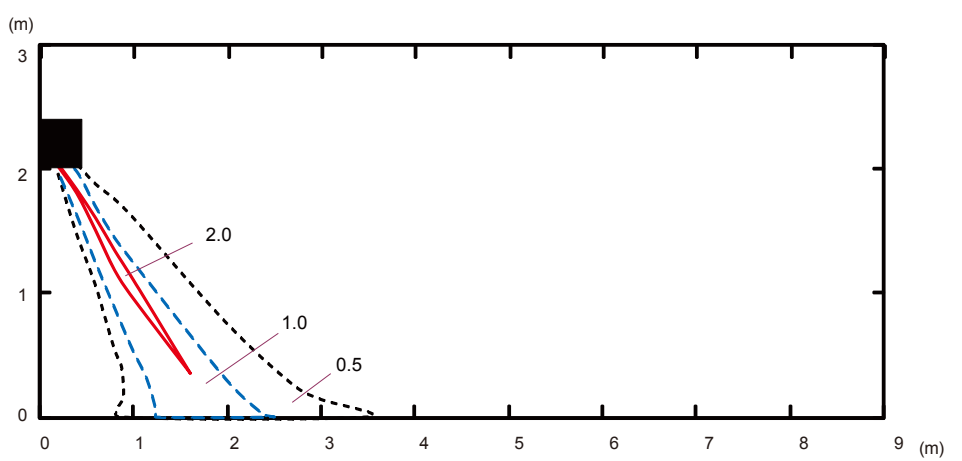
Top view
Vertical airflow direction
louver: Up
Horizontal airflow direction
louver: Right & Left



Side view
Vertical airflow direction
louver: Up
Horizontal airflow direction
louver: Center



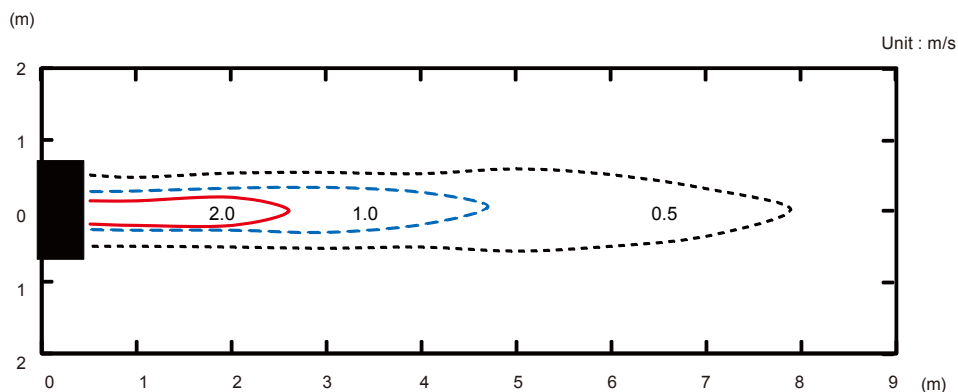
Side view
Vertical airflow direction
louver: Down
Horizontal airflow direction
louver: Center



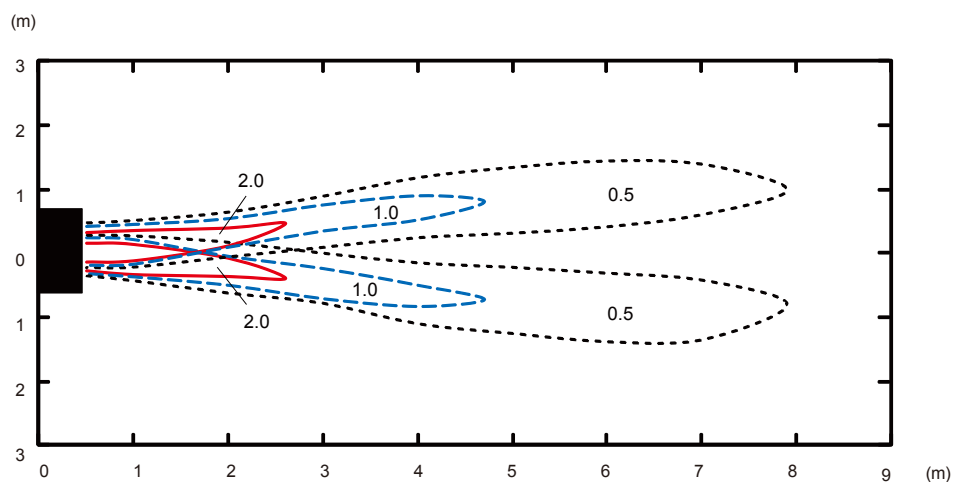
MODEL : AS*G12LMCA

Conditions
Fan speed: HIGH
Operation mode: FAN

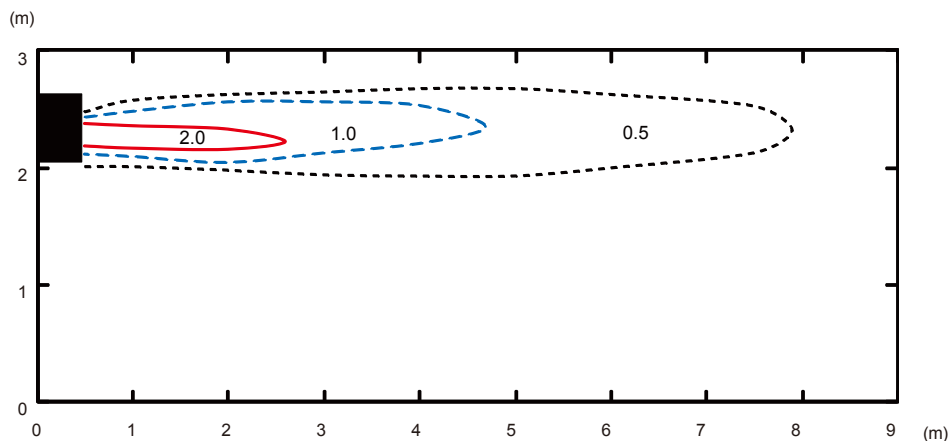
Top view
Vertical airflow direction
louver: Up
Horizontal airflow direction
louver: Center



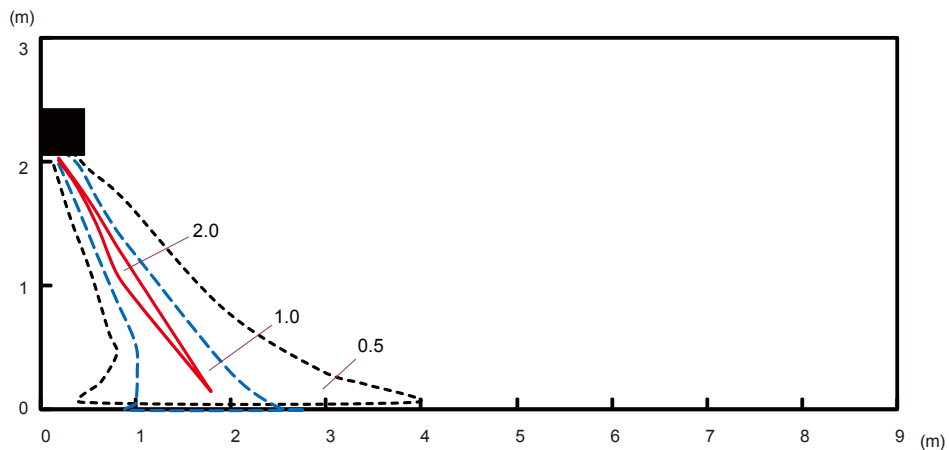
Top view
Vertical airflow direction
louver: Up
Horizontal airflow direction
louver: Right & Left



Side view
Vertical airflow direction
louver: Up
Horizontal airflow direction
louver: Center



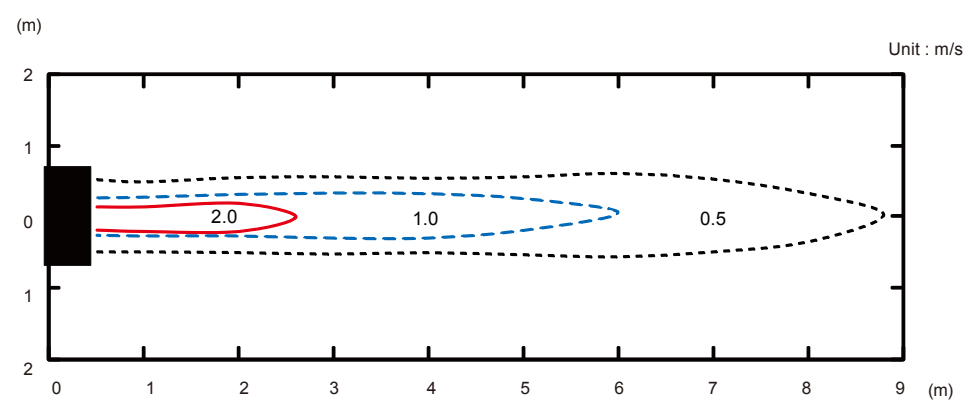
Side view
Vertical airflow direction
louver: Down
Horizontal airflow direction
louver: Center



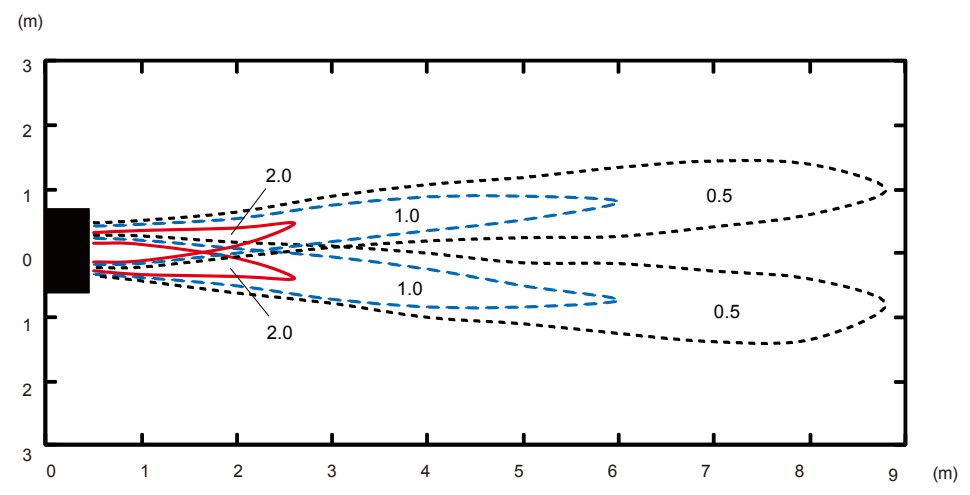
Conditions
Fan speed: HIGH
Operation mode: FAN

MODEL : AS*G14LMCA

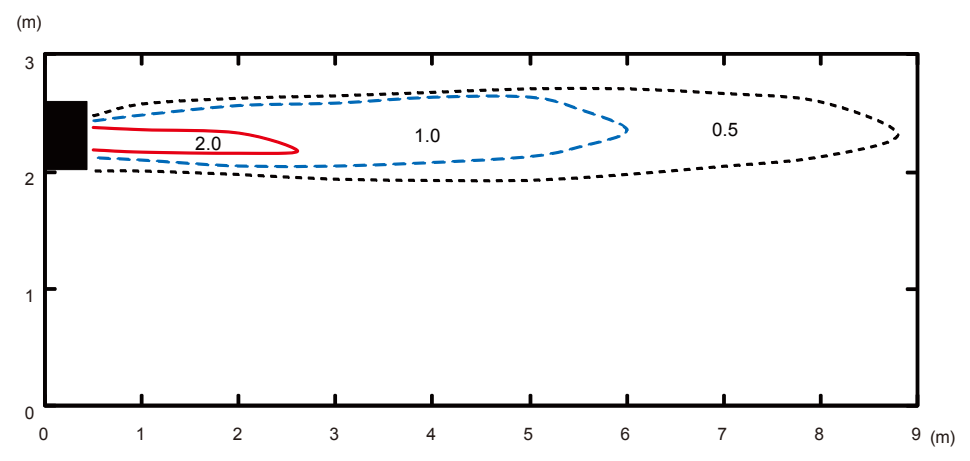
Top view
Vertical airflow direction
louver: Up
Horizontal airflow direction
louver: Center



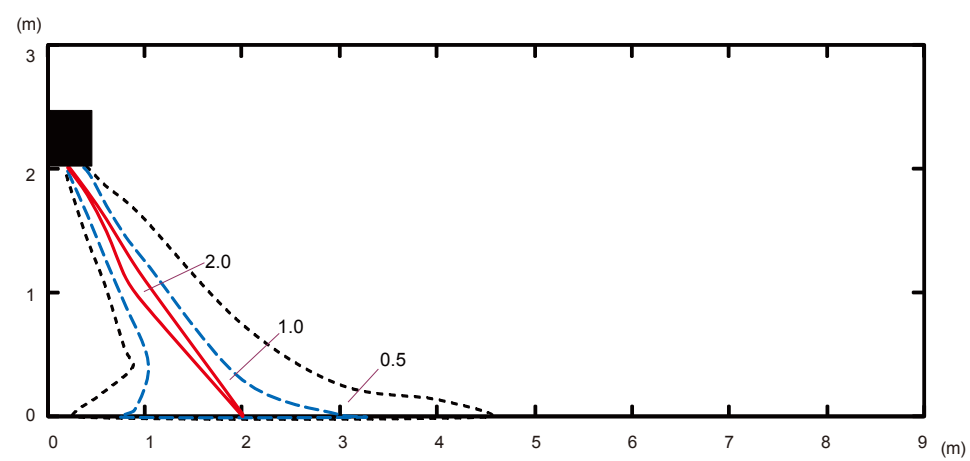
Top view
Vertical airflow direction
louver: Up
Horizontal airflow direction
louver: Right & Left



Side view
Vertical airflow direction
louver: Up
Horizontal airflow direction
louver: Center



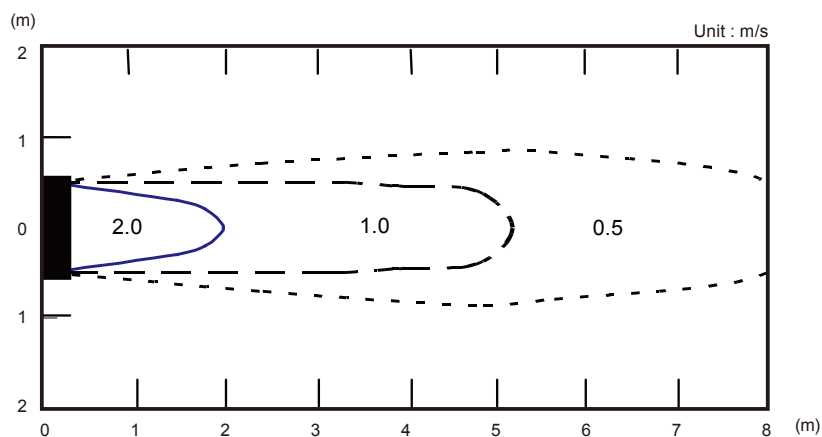
Side view
Vertical airflow direction
louver: Down
Horizontal airflow direction
louver: Center



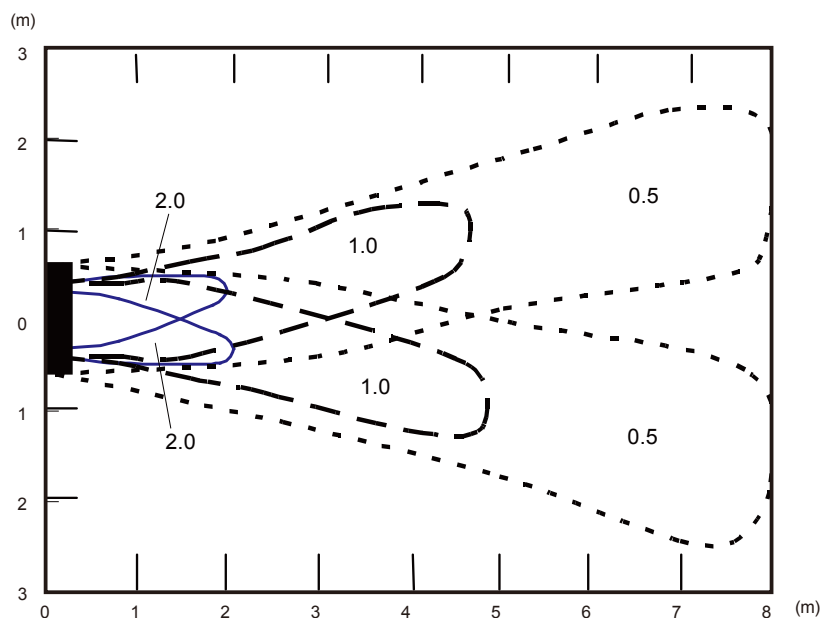
■ MODEL : AS*G18LFCA

Conditions
Fan speed: HIGH
Operation mode: FAN

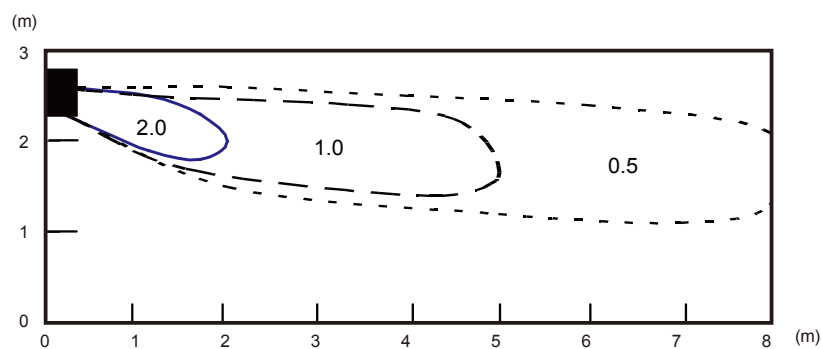
Top view
Vertical airflow direction
louver: Up
Horizontal airflow direction
louver: Center



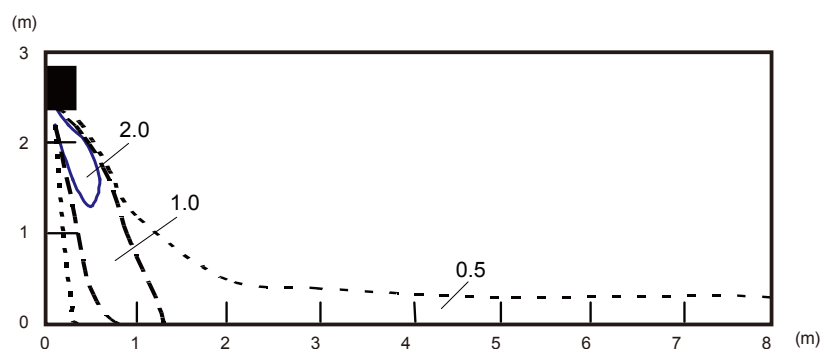
Top view
Vertical airflow direction
louver: Up
Horizontal airflow direction
louver: Right & Left



Side view
Vertical airflow direction
louver: Up
Horizontal airflow direction
louver: Center



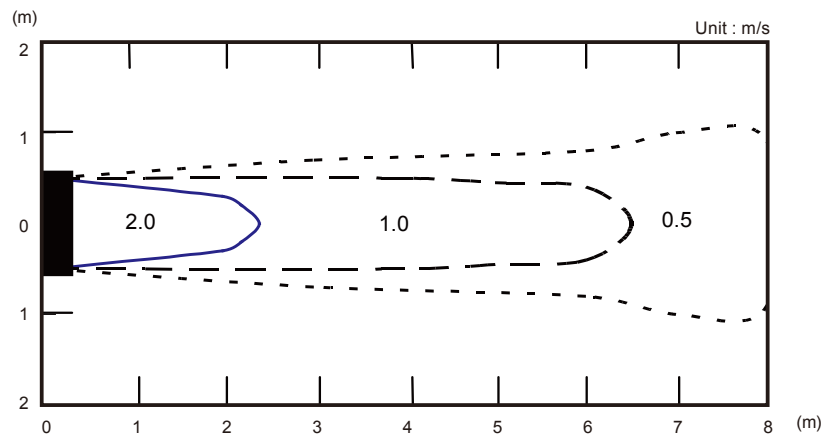
Side view
Vertical airflow direction
louver: Down
Horizontal airflow direction
louver: Center



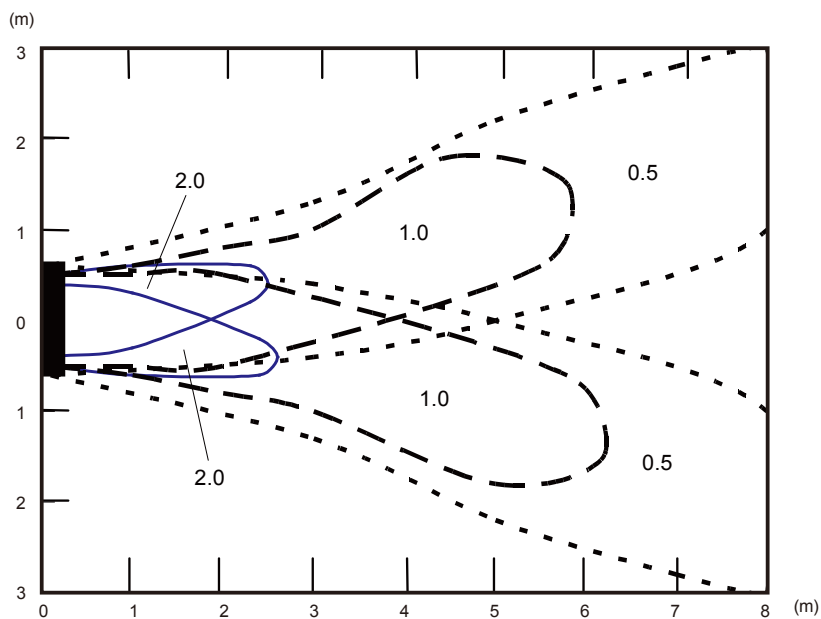
MODELS : AS*G24LFCA, AS*G24LFCC

Conditions
Fan speed: HIGH
Operation mode: FAN

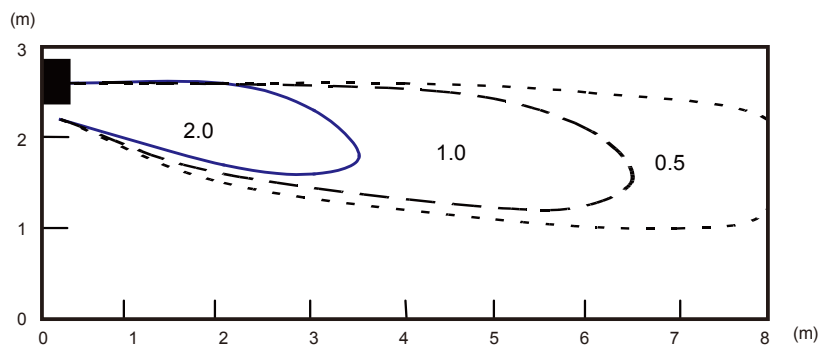
Top view
Vertical airflow direction
louver: Up
Horizontal airflow direction
louver: Center



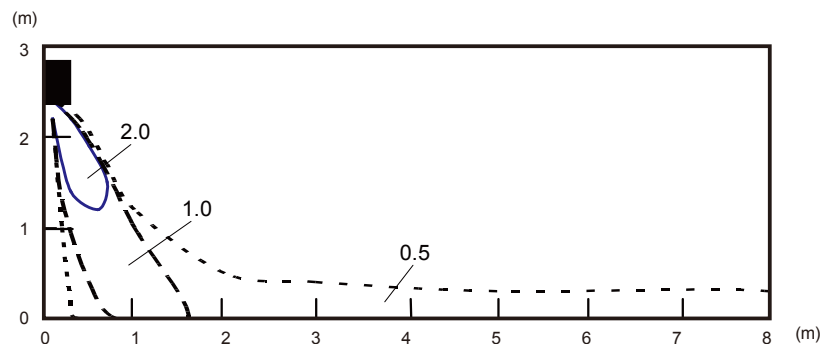
Top view
Vertical airflow direction
louver: Up
Horizontal airflow direction
louver: Right & Left



Side view
Vertical airflow direction
louver: Up
Horizontal airflow direction
louver: Center



Side view
Vertical airflow direction
louver: Down
Horizontal airflow direction
louver: Center

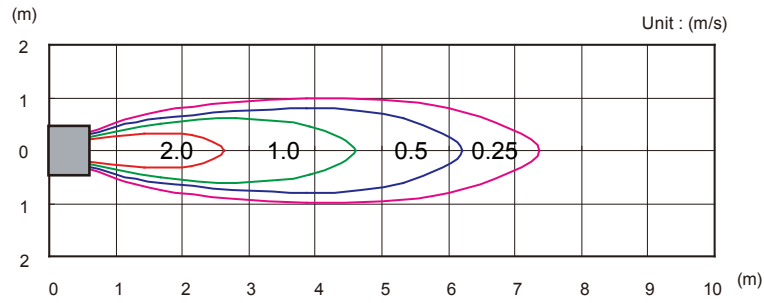


6-4. FLOOR / CEILING TYPE

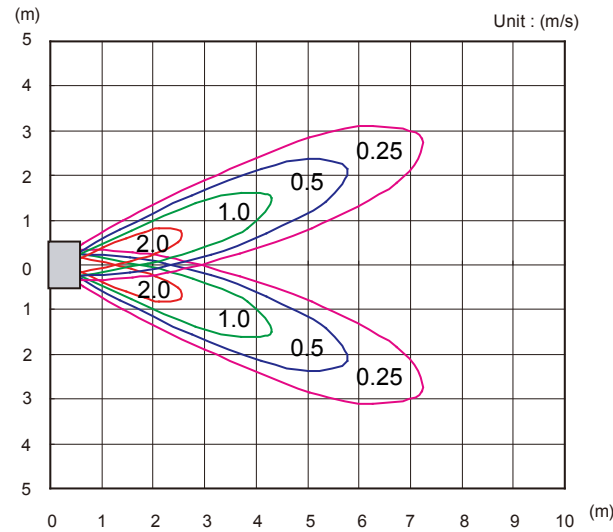
MODEL : AB*G14LVTA (UNDER CEILING)

Conditions
Fan speed: HIGH
Operation mode: FAN

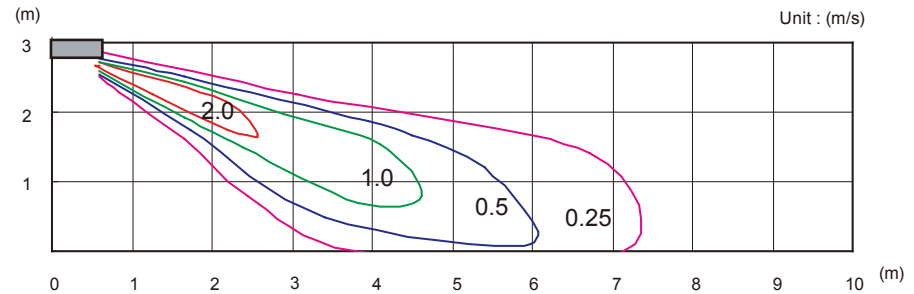
Top view
Vertical airflow direction
louver: Up
Horizontal airflow direction
louver: Center



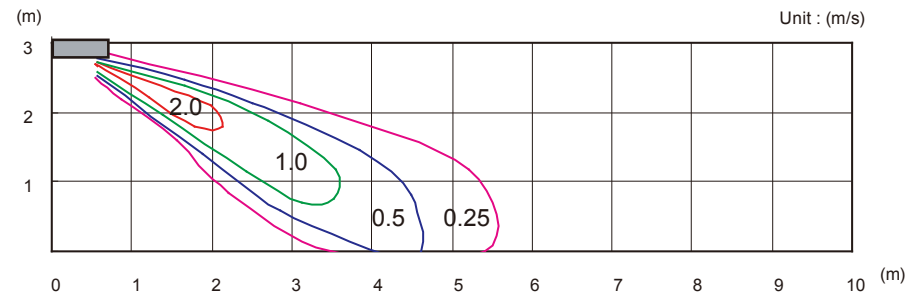
Top view
Vertical airflow direction
louver: Up
Horizontal airflow direction
louver: Right & Left



Side view
Vertical airflow direction
louver: Up
Horizontal airflow direction
louver: Center



Side view
Vertical airflow direction
louver: Center
Horizontal airflow direction
louver: Center



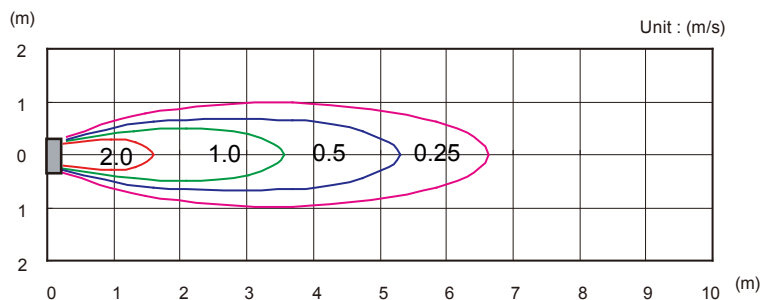
Side view
Vertical airflow direction
louver: Down
Horizontal airflow direction
louver: Center



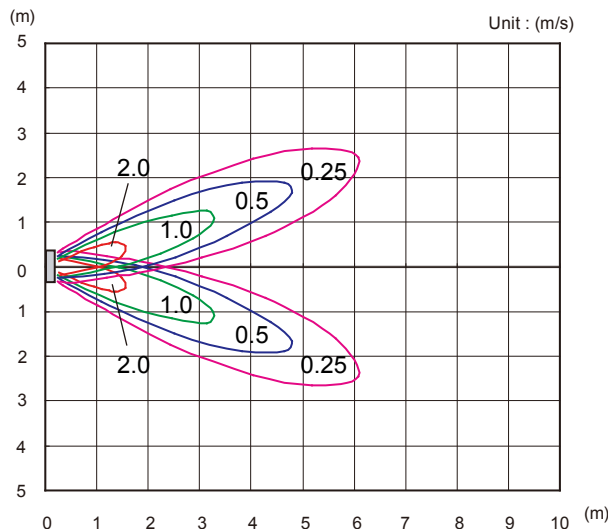
MODEL : AB*G14LVTA (FLOOR CONSOLE)

Conditions
Fan speed: HIGH
Operation mode: FAN

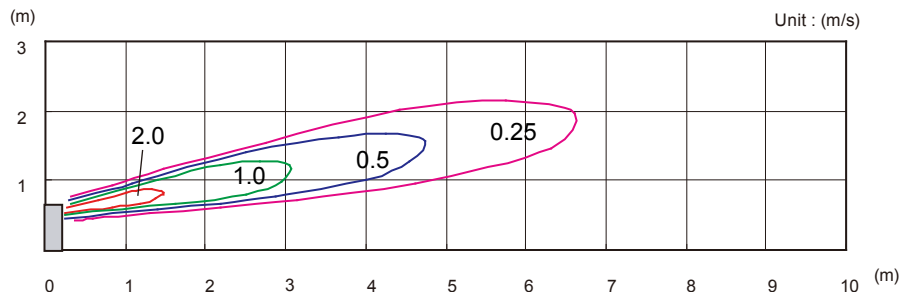
Top view
Vertical airflow direction
louver: Up
Horizontal airflow direction
louver: Center



Top view
Vertical airflow direction
louver: Up
Horizontal airflow direction
louver: Right & Left



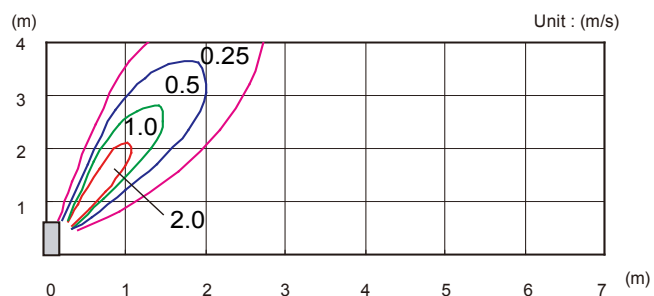
Side view
Vertical airflow direction
louver: Down
Horizontal airflow direction
louver: Center



Side view
Vertical airflow direction
louver: Center
Horizontal airflow direction
louver: Center



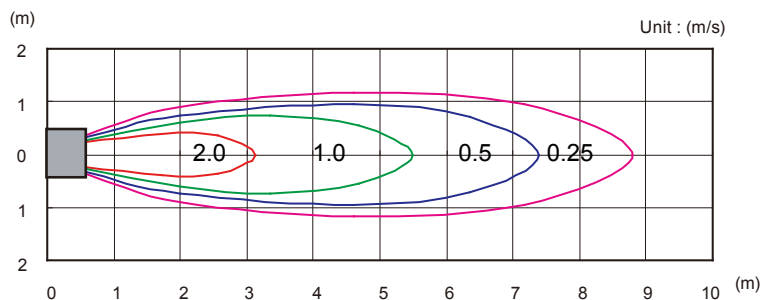
Side view
Vertical airflow direction
louver: Up
Horizontal airflow direction
louver: Center



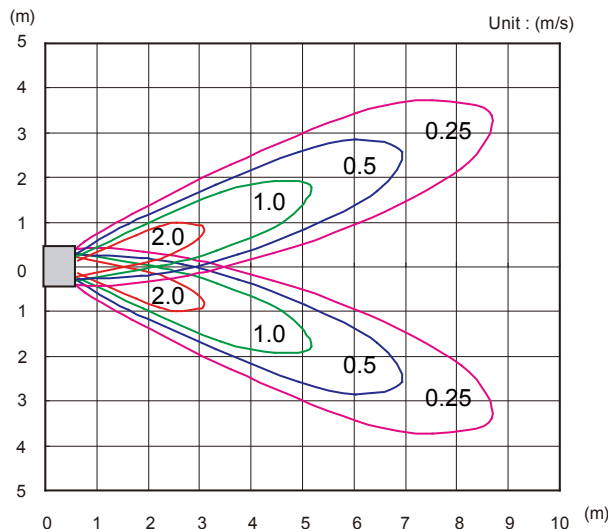
MODELS : AB*G18LVTA, AB*G18LVTB (UNDER CEILING)

Conditions
Fan speed: HIGH
Operation mode: FAN

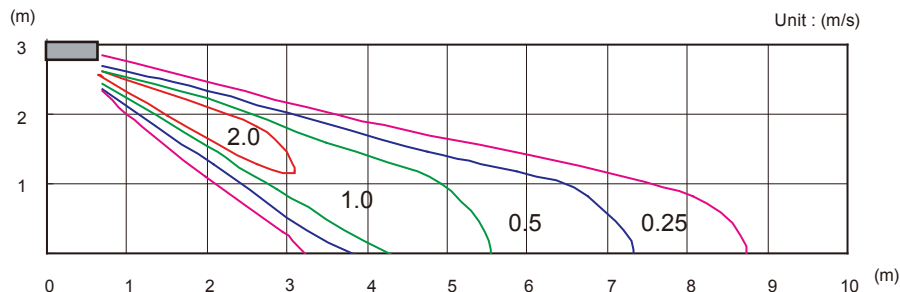
Top view
Vertical airflow direction
louver: Up
Horizontal airflow direction
louver: Center



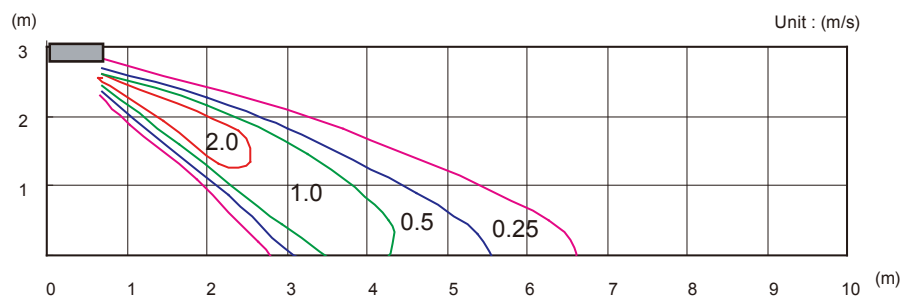
Top view
Vertical airflow direction
louver: Up
Horizontal airflow direction
louver: Right & Left



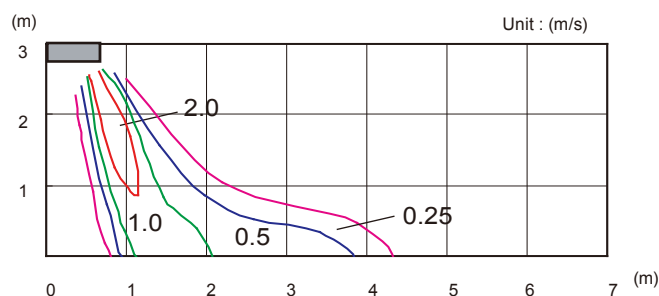
Side view
Vertical airflow direction
louver: Up
Horizontal airflow direction
louver: Center



Side view
Vertical airflow direction
louver: Center
Horizontal airflow direction
louver: Center



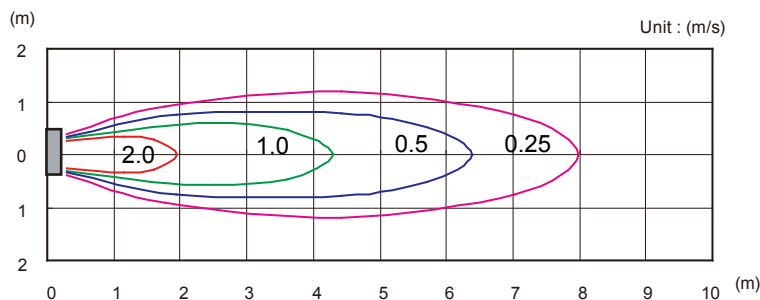
Side view
Vertical airflow direction
louver: Down
Horizontal airflow direction
louver: Center



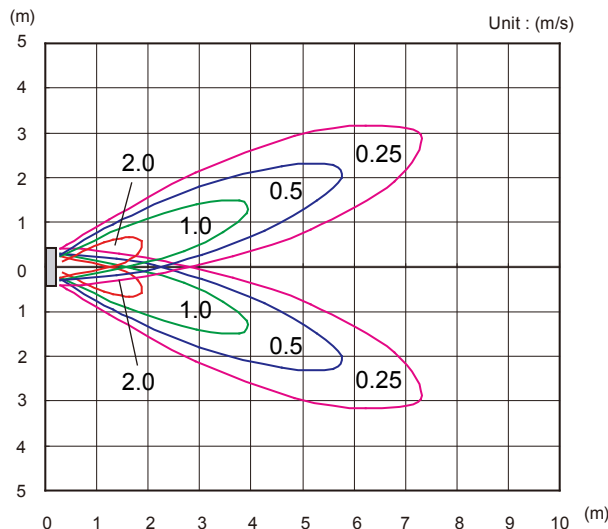
MODELS : AB*G18LVTA, AB*G18LVTB (FLOOR CONSOLE)

Conditions
Fan speed: HIGH
Operation mode: FAN

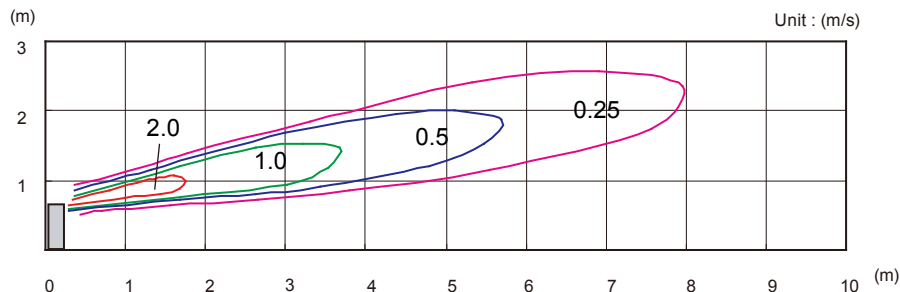
Top view
Vertical airflow direction
louver: Up
Horizontal airflow direction
louver: Center



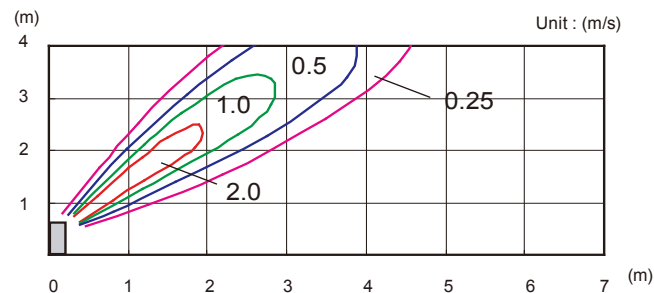
Top view
Vertical airflow direction
louver: Up
Horizontal airflow direction
louver: Right & Left



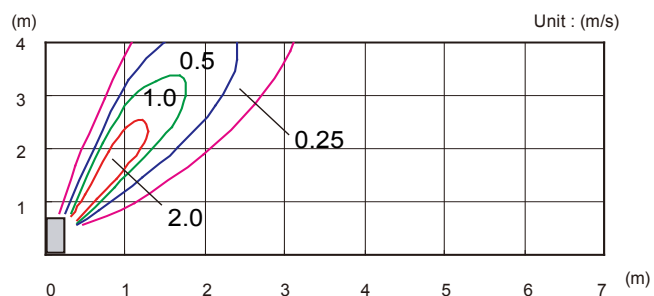
Side view
Vertical airflow direction
louver: Down
Horizontal airflow direction
louver: Center



Side view
Vertical airflow direction
louver: Center
Horizontal airflow direction
louver: Center



Side view
Vertical airflow direction
louver: Up
Horizontal airflow direction
louver: Center

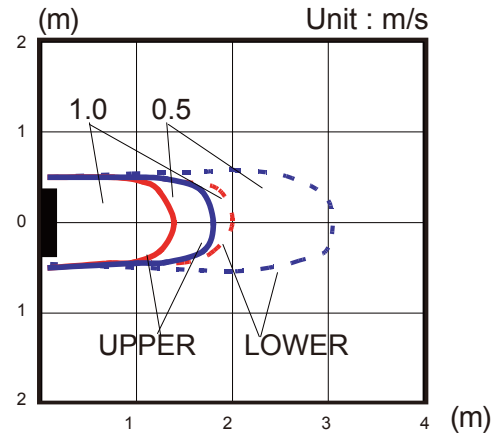


6-5. FLOOR TYPE

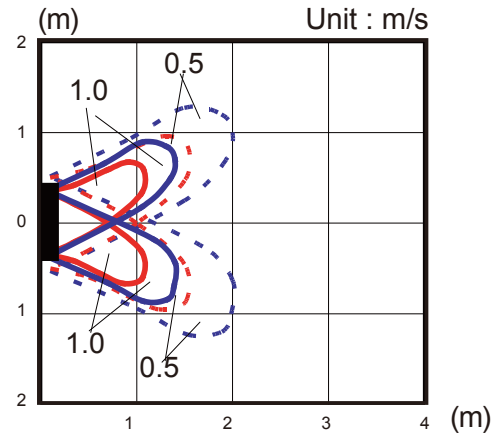
MODELS : AG*G09LVCA, AG*G12LVCA, AG*G14LVCA

Conditions
 Fan speed: HIGH
 Operation mode: FAN
 Fan select: UPPER & LOWER

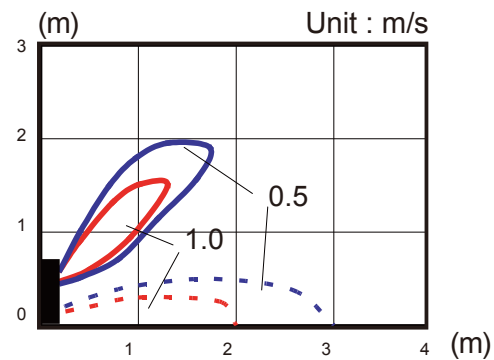
Top view
 Vertical airflow direction
 louver: Down
 Horizontal airflow direction
 louver: Center



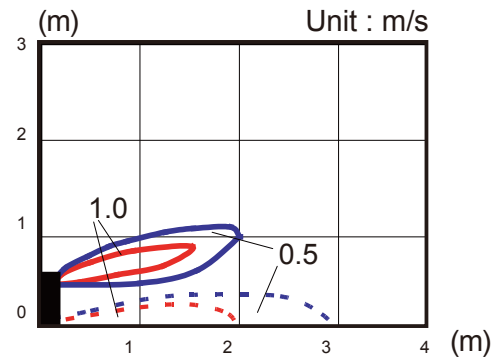
Top view
 Vertical airflow direction
 louver: Down
 Horizontal airflow direction
 louver: Right & Left



Side view
 Vertical airflow direction
 louver: Up
 Horizontal airflow direction
 louver: Center



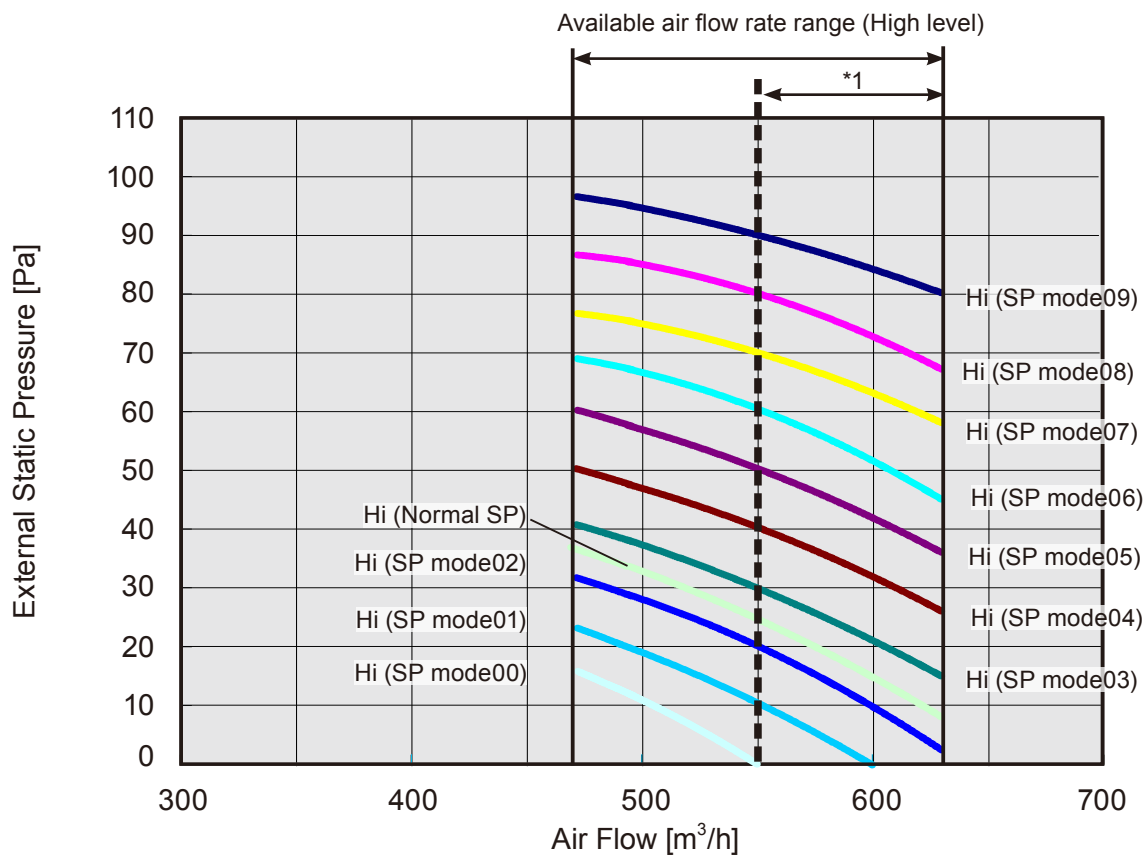
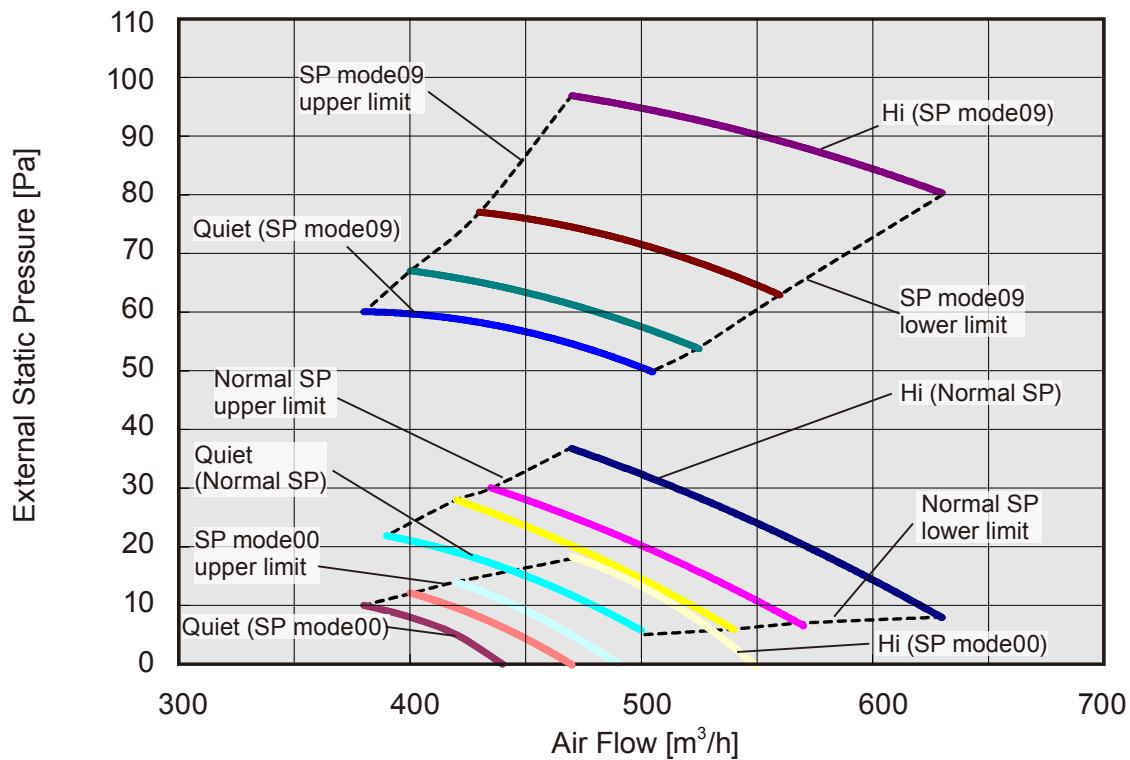
Side view
 Vertical airflow direction
 louver: Down
 Horizontal airflow direction
 louver: Center



7. FAN PERFORMANCE CURVE

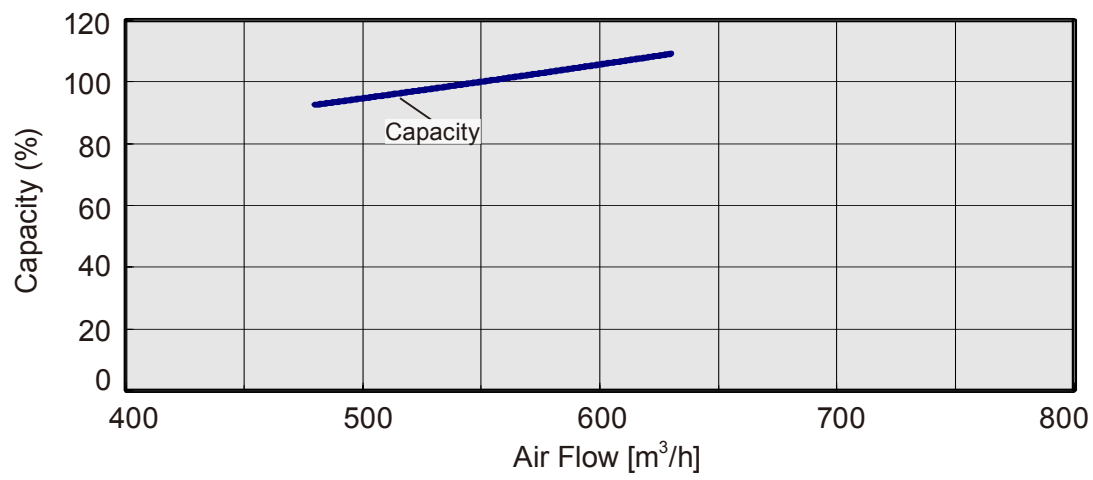
7-1. SLIM DUCT TYPE

■ MODEL : AR*G07LLTA

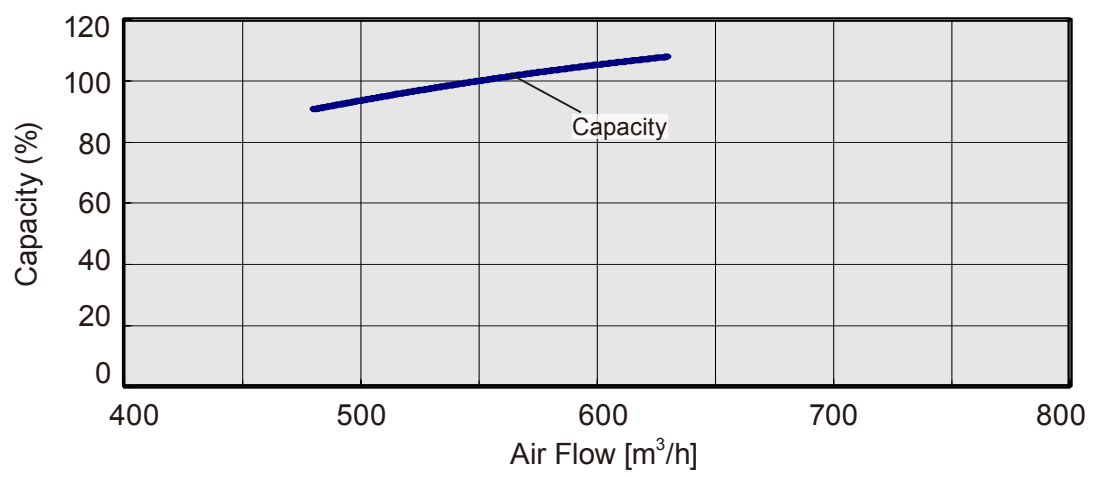


*1: Available air flow rate range when Auto louver grille (option) is installed.
 Fan speed : High
 Vertical flap : Up

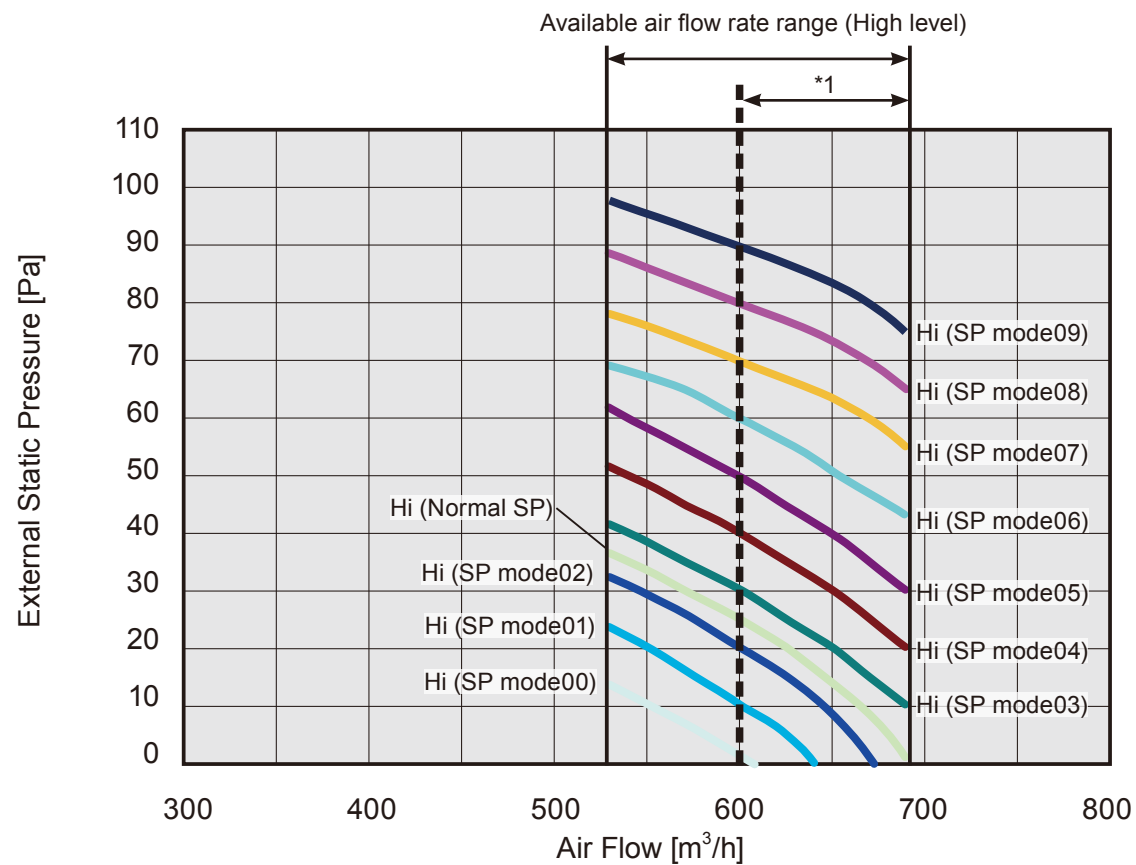
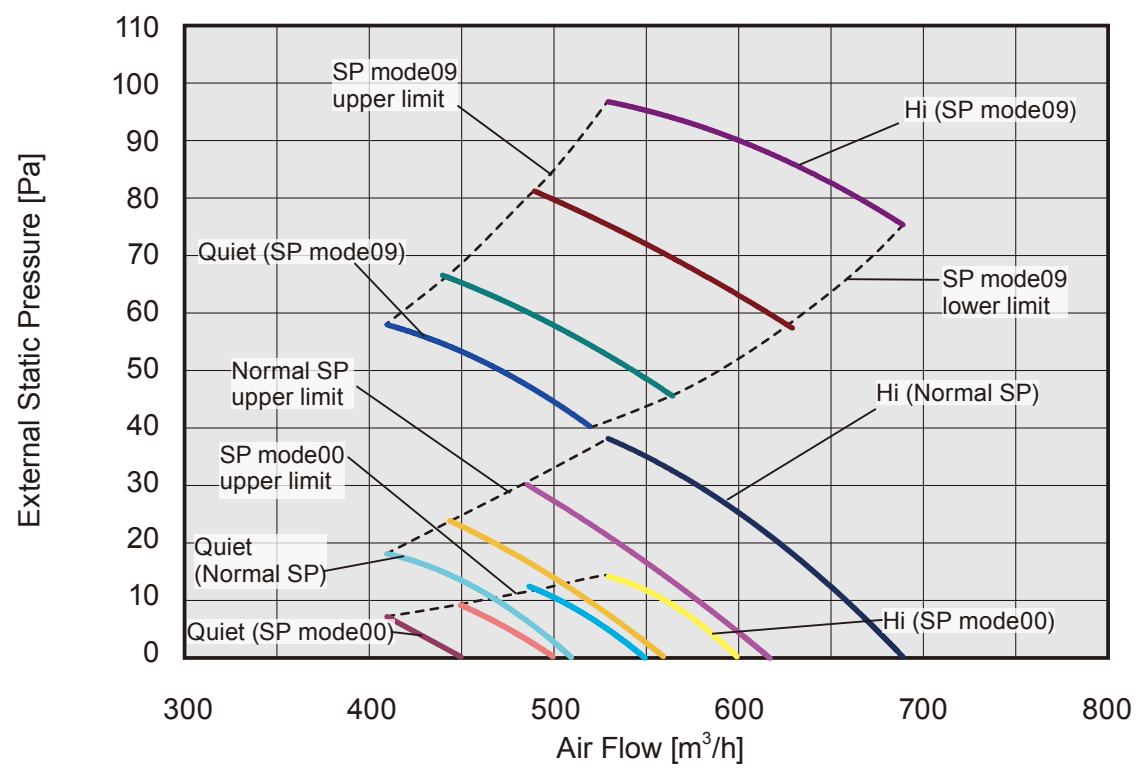
● Cooling



● Heating

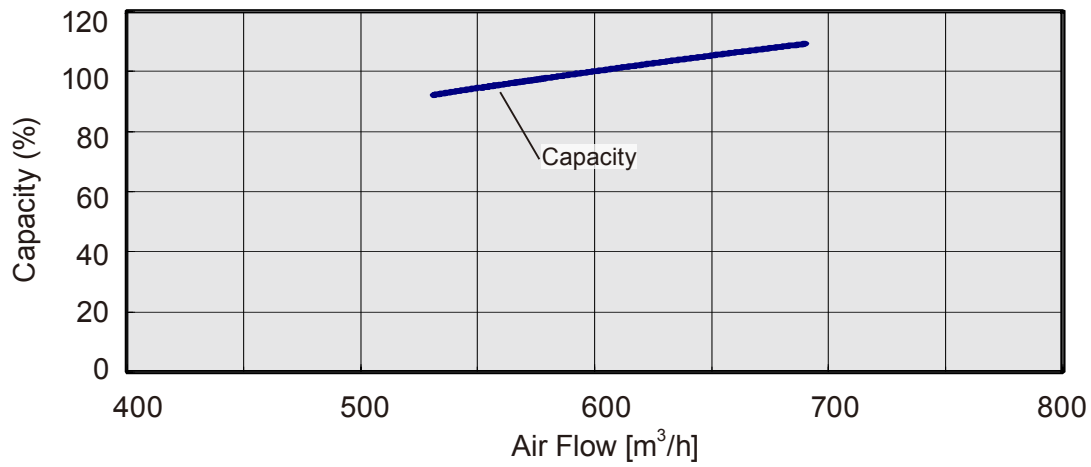


MODEL : AR*G09LLTA

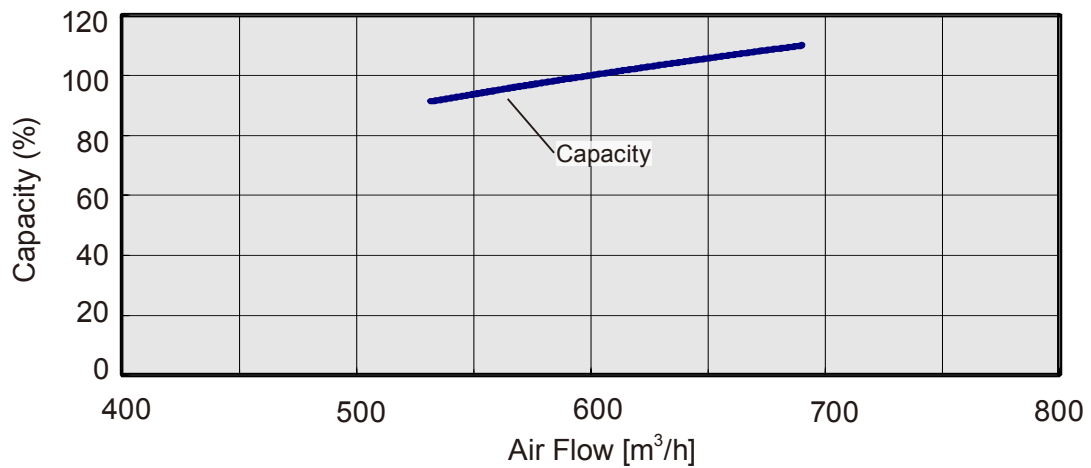


*1: Available air flow rate range when Auto louver grille (option) is installed.
 Fan speed : High
 Vertical flap : Up

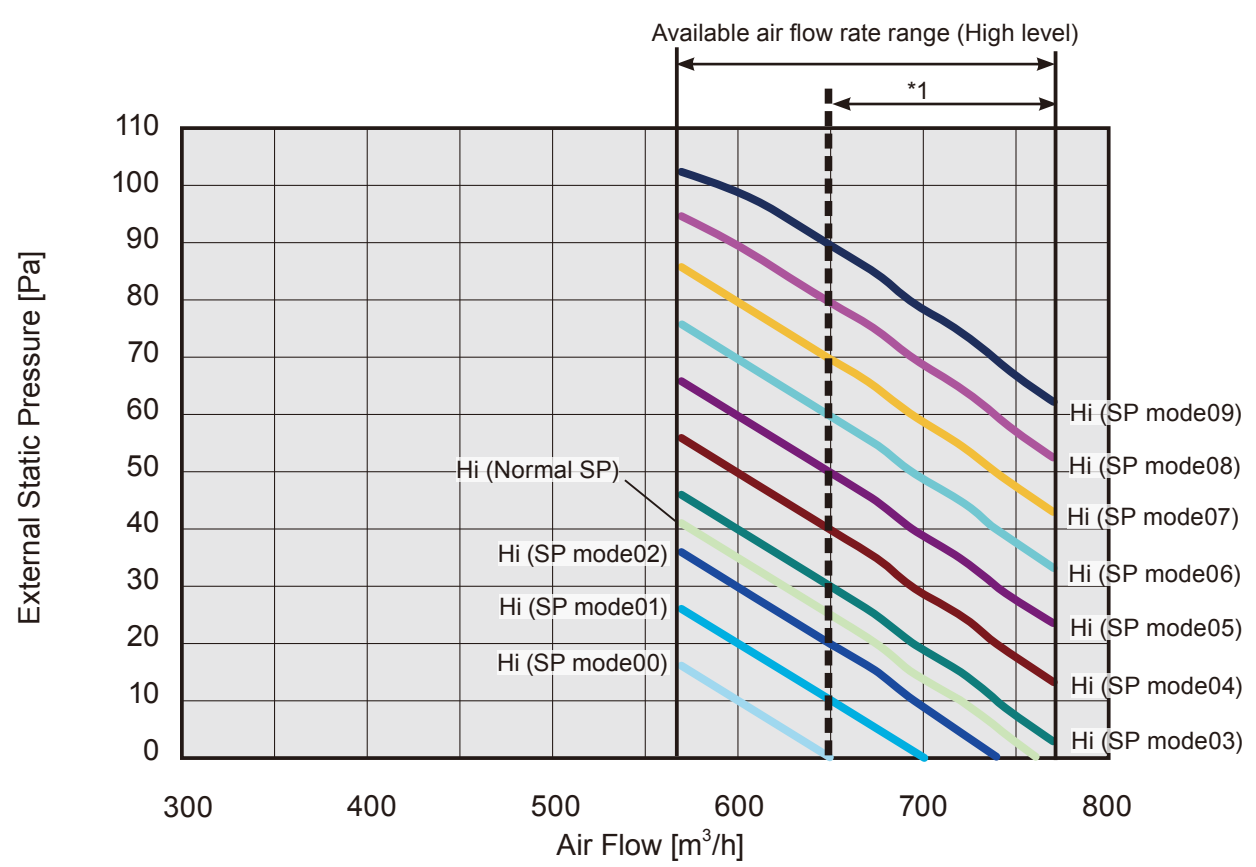
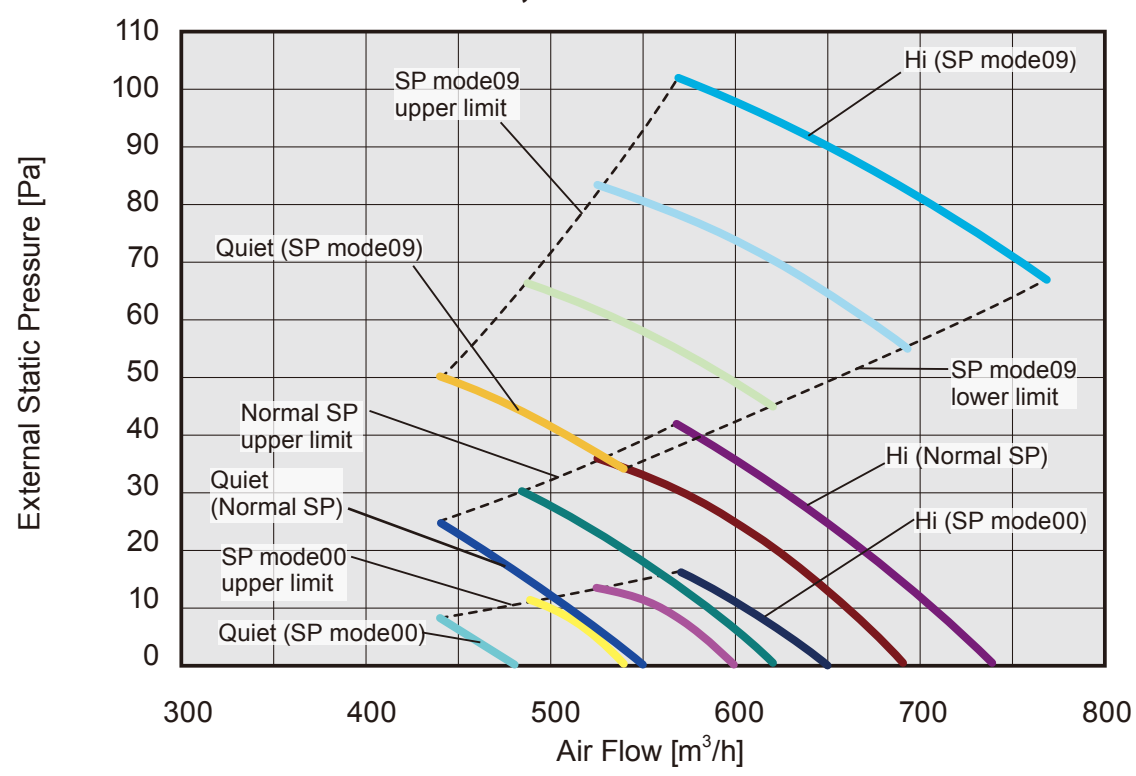
● Cooling



● Heating

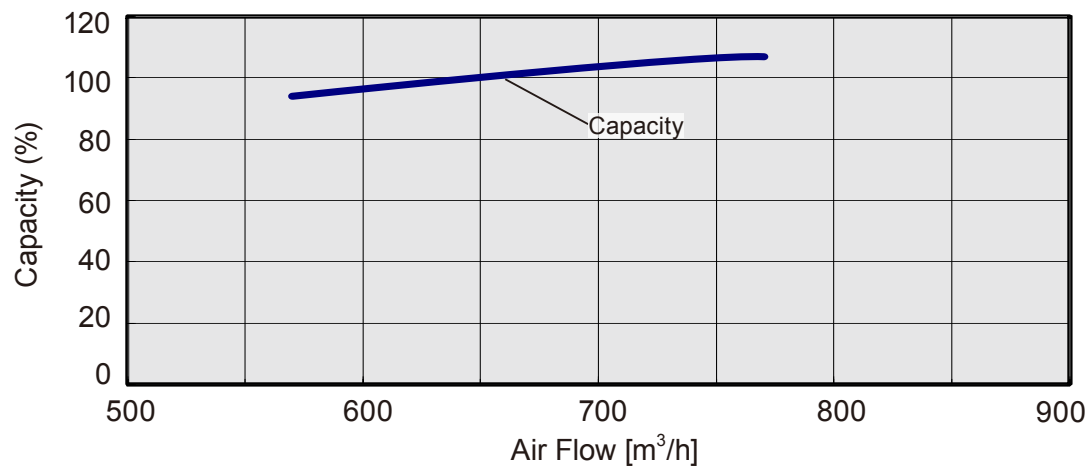


MODELS : AR*G12LLTA, AR*G12LLTB

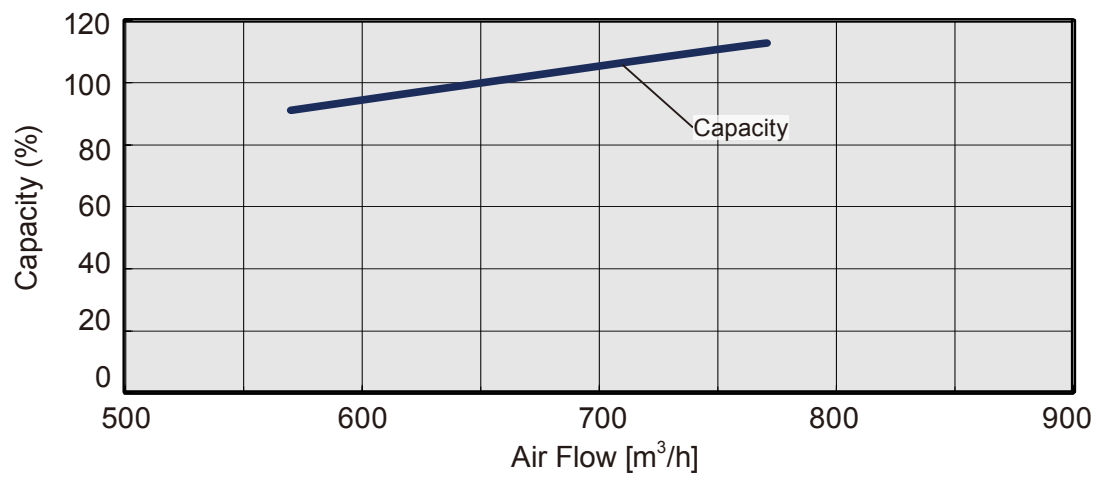


*1: Available air flow rate range when Auto louver grille (option) is installed.
 Fan speed : High
 Vertical flap : Up

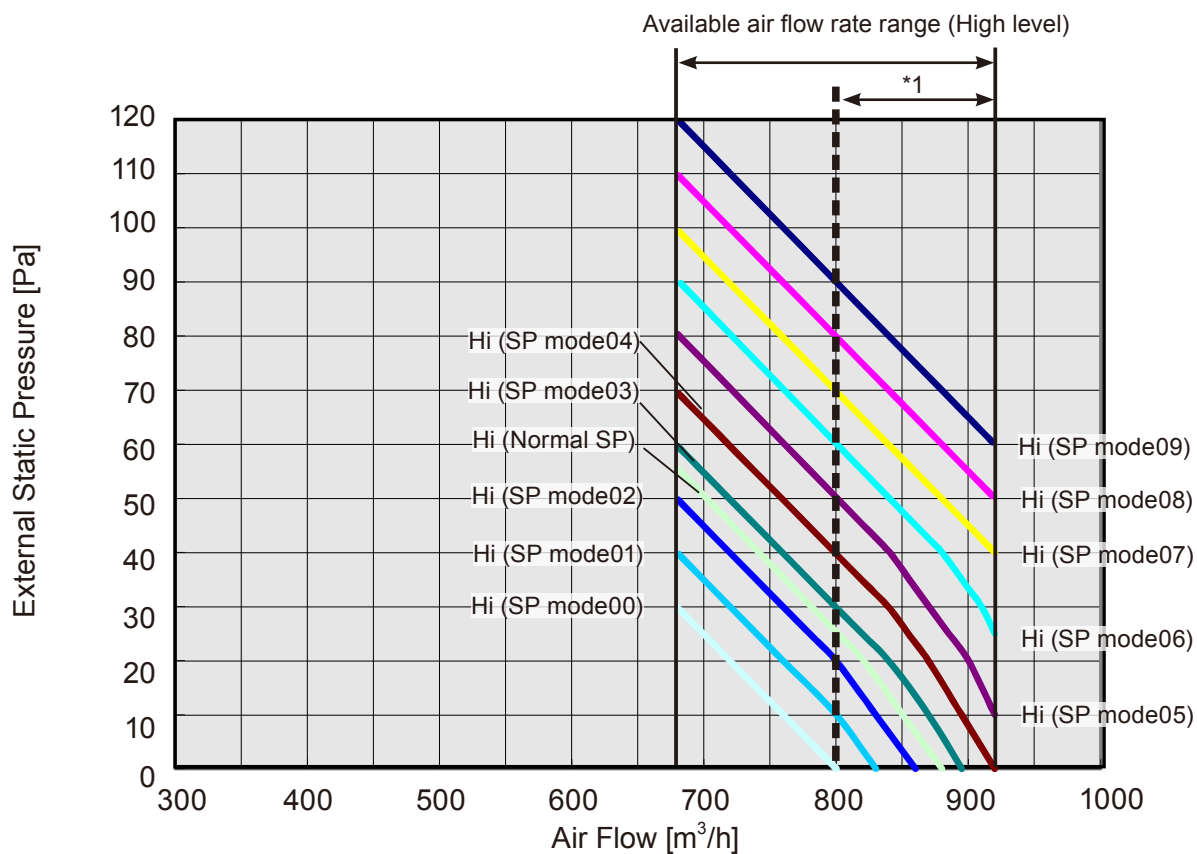
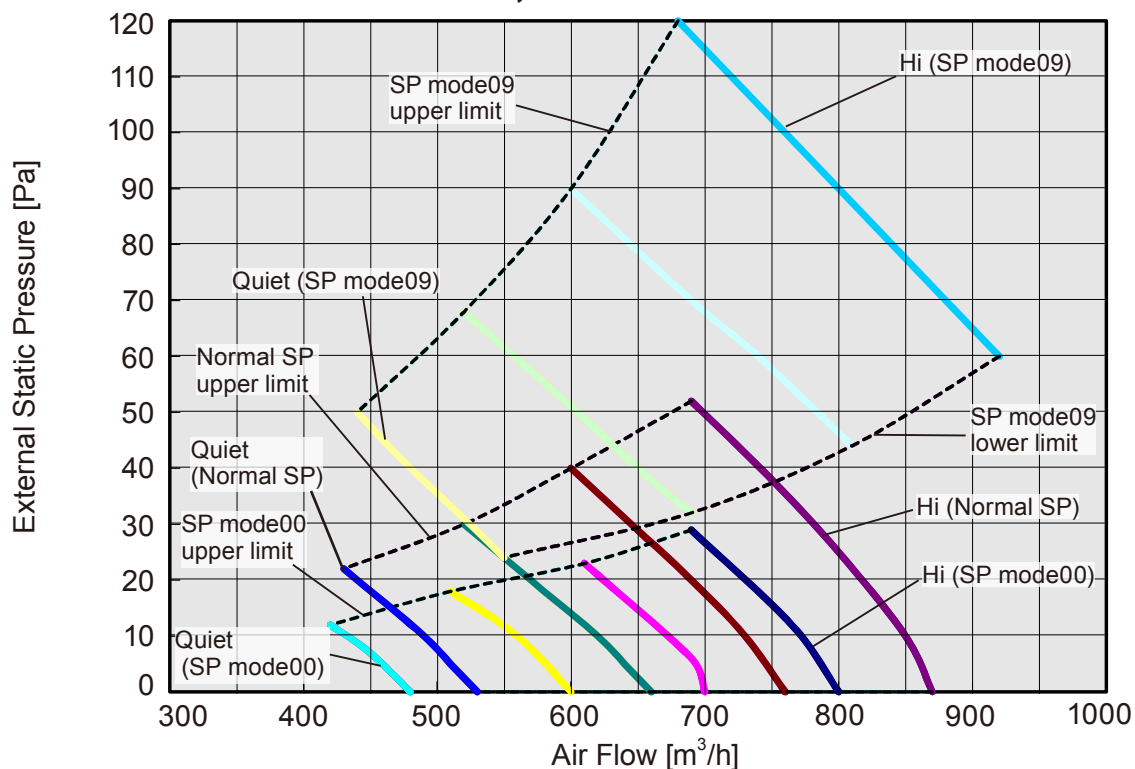
● Cooling



● Heating

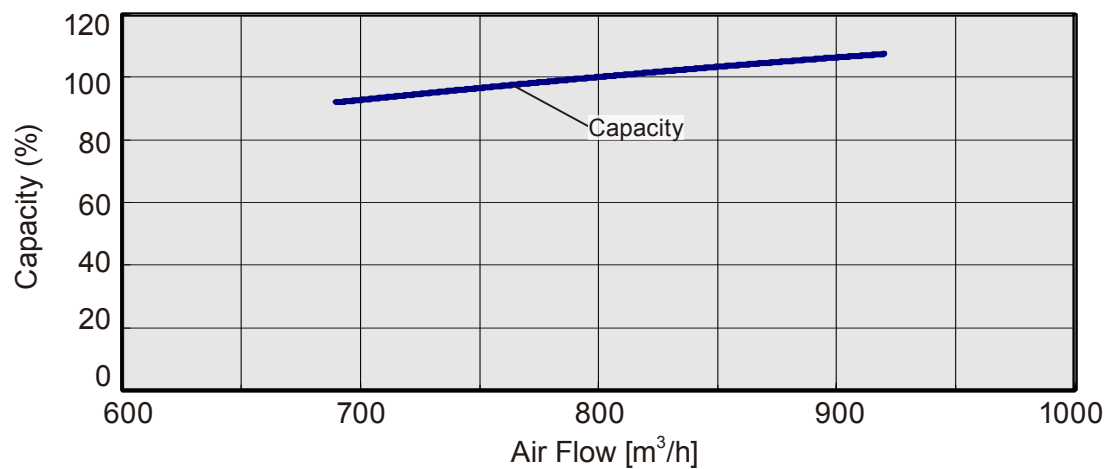


MODELS : AR*G14LLTA, AR*G14LLTB

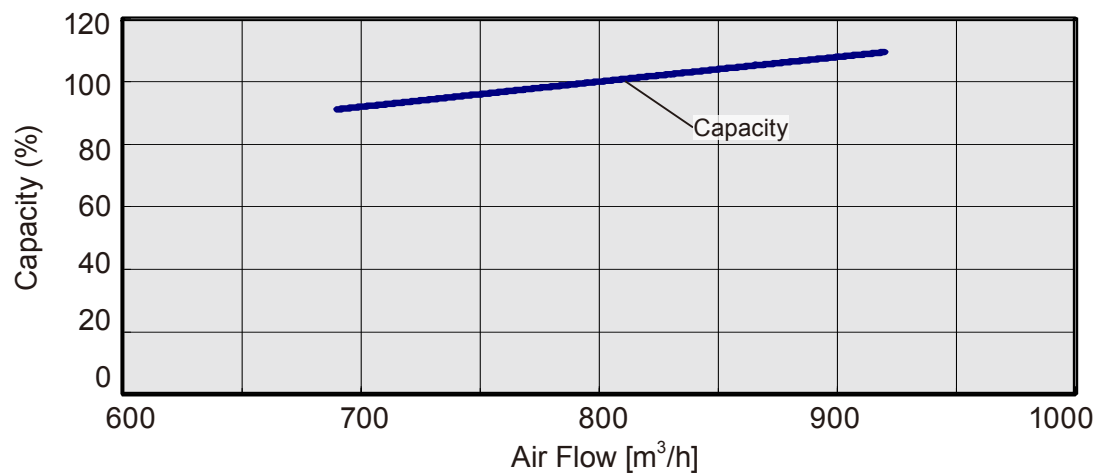


*1: Available air flow rate range when Auto louver grille (option) is installed.
 Fan speed : High
 Vertical flap : Up

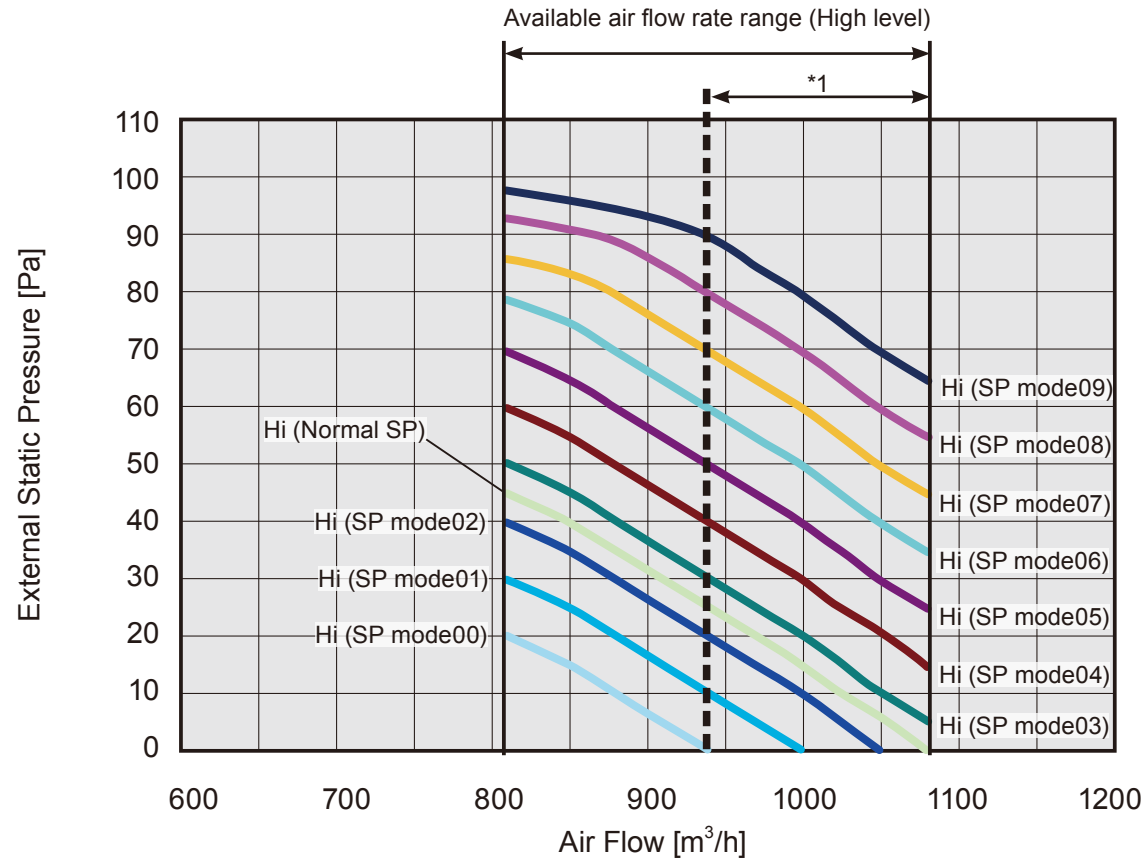
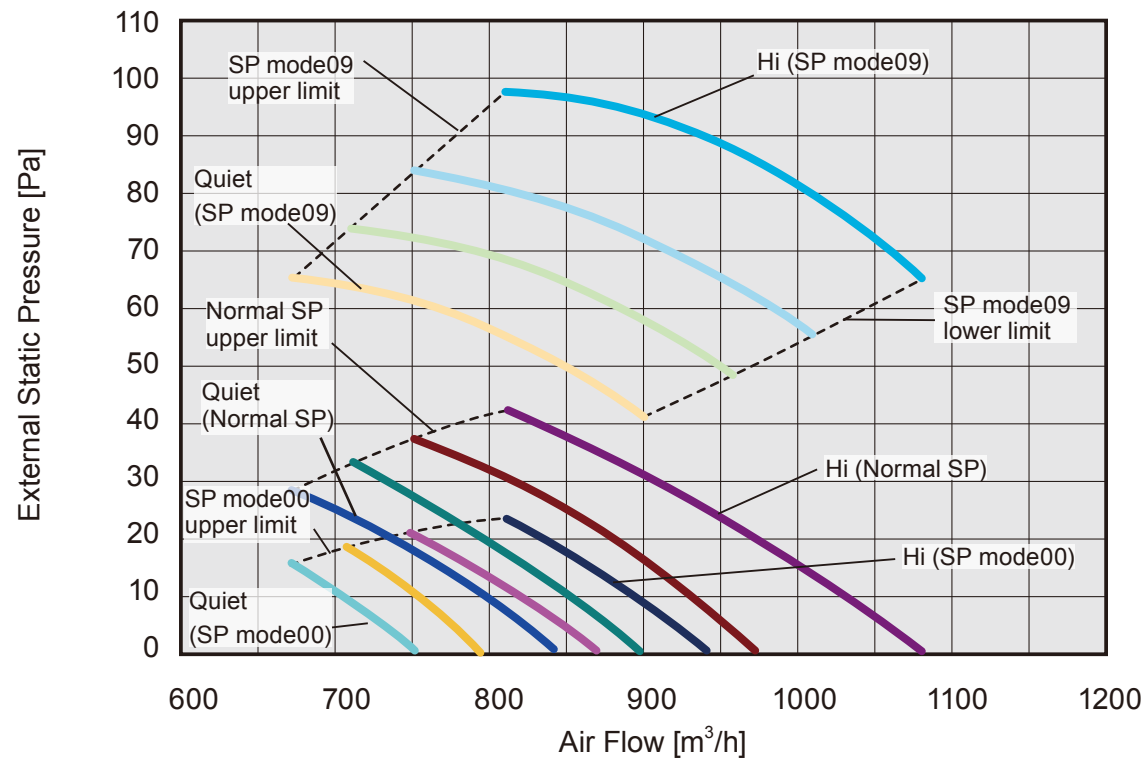
● Cooling



● Heating

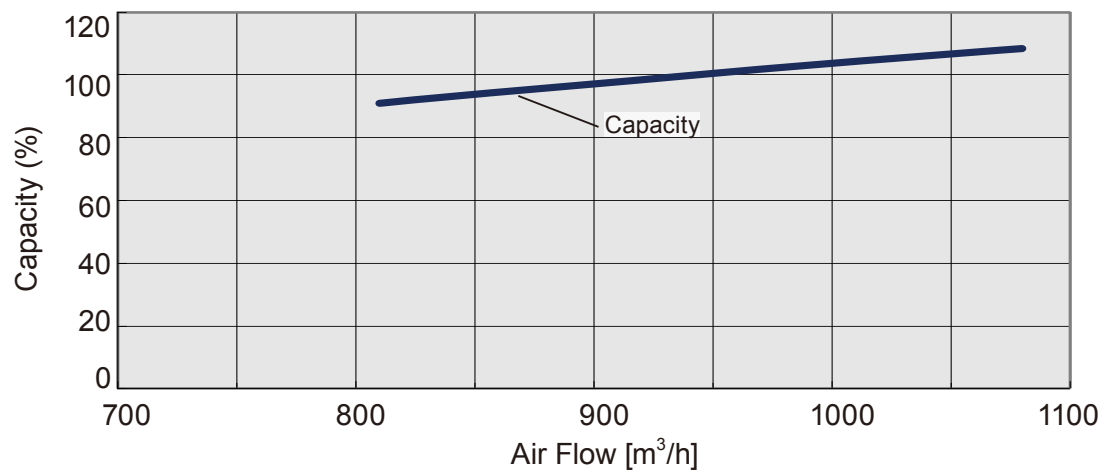


MODELS : AR*G18LLTA, AR*G18LLTB

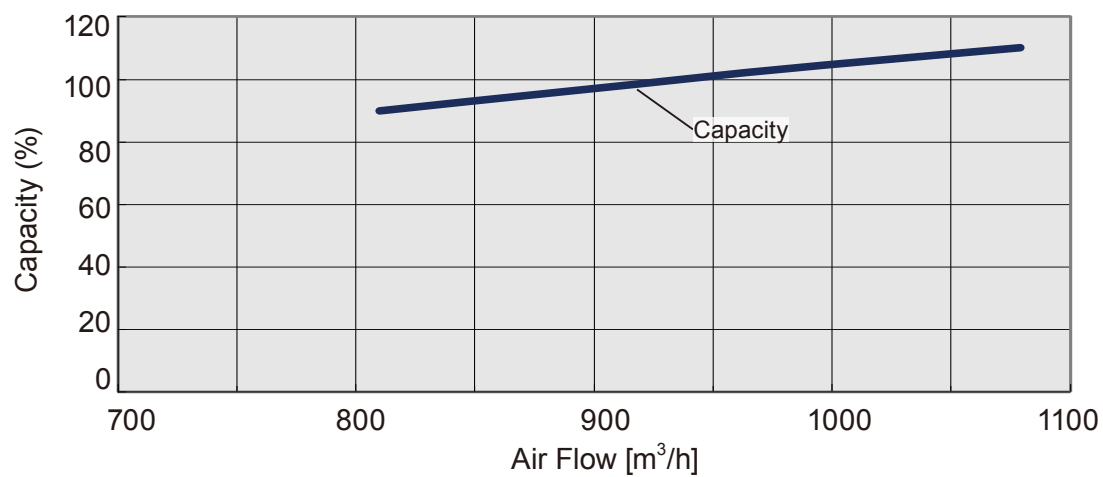


*1: Available air flow rate range when Auto louver grille (option) is installed.
 Fan speed : High
 Vertical flap : Up

● Cooling



● Heating



8. AIRFLOW

Type	Model	Operation mode	Fan speed	Air flow			Type	Model	Operation mode	Fan speed	Air flow		
				m³/h	l/s	CFM					m³/h	l/s	CFM
Compact Cassette	AU*G07LVLA AU*G09LVLA	Cooling	High	540	150	318	Wall Mounted	AS*G07LJCA	Cooling	High	560	156	330
			Med	490	136	288				Med	500	139	294
			Low	440	122	259				Low	430	119	253
			Quiet	390	108	230				Quiet	310	86	182
		Heating	High	540	150	318			Heating	High	560	156	330
			Med	490	136	288				Med	500	139	294
			Low	440	122	259				Low	430	119	253
			Quiet	390	108	230				Quiet	330	92	194
	AU*G12LVLA AU*G12LVLB	Cooling	High	610	169	359		AS*G09LJCA	Cooling	High	600	167	353
			Med	530	147	312				Med	520	144	306
			Low	470	131	277				Low	430	119	253
			Quiet	410	114	241				Quiet	310	86	182
		Heating	High	610	169	359			Heating	High	600	167	353
			Med	530	147	312				Med	520	144	306
			Low	470	131	277				Low	430	119	253
			Quiet	410	114	241				Quiet	330	92	194
	AU*G14LVLA AU*G14LVLB	Cooling	High	680	189	400		AS*G12LJCA	Cooling	High	660	183	388
			Med	580	161	341				Med	560	156	330
			Low	490	136	288				Low	450	125	265
			Quiet	410	114	241				Quiet	310	86	182
		Heating	High	700	194	412			Heating	High	660	183	388
			Med	620	172	365				Med	560	156	330
			Low	550	153	324				Low	470	131	277
			Quiet	430	119	253				Quiet	330	92	194
AU*G18LVLA AU*G18LVLB	Cooling	High	750	208	441	AS*G07LUCA	Cooling	High	570	158	335		
		Med	610	169	359			Med	520	144	306		
		Low	520	144	306			Low	470	131	276		
		Quiet	410	114	241			Quiet	330	92	194		
	Heating	High	800	222	471		Heating	High	570	158	335		
		Med	710	197	418			Med	520	144	306		
		Low	600	167	353			Low	470	131	276		
		Quiet	450	125	265			Quiet	330	92	194		
Slim Duct	AR*G07LLTA	Cooling	High	550	153	324	LU	AS*G09LUCA	Cooling	High	600	167	353
			Med	490	136	288				Med	550	153	324
			Low	470	131	277				Low	470	131	276
			Quiet	440	122	259				Quiet	330	92	194
		Heating	High	550	153	324			Heating	High	600	167	353
			Med	490	136	288				Med	550	153	324
			Low	470	131	277				Low	470	131	276
			Quiet	440	122	259				Quiet	330	92	194
	AR*G09LLTA	Cooling	High	600	167	353		AS*G12LUCA	Cooling	High	660	183	388
			Med	550	153	324				Med	600	167	353
			Low	500	139	294				Low	530	147	312
			Quiet	450	125	265				Quiet	330	92	194
		Heating	High	600	167	353			Heating	High	660	183	388
			Med	550	153	324				Med	600	167	353
			Low	500	139	294				Low	530	147	312
			Quiet	450	125	265				Quiet	330	92	194
	AR*G12LLTA AR*G12LLTB	Cooling	High	650	181	383		AS*G14LUCA	Cooling	High	710	197	418
			Med	600	167	353				Med	640	178	376
			Low	550	153	324				Low	570	158	335
			Quiet	480	133	283				Quiet	390	108	229
		Heating	High	650	181	383			Heating	High	710	197	418
			Med	600	167	353				Med	640	178	376
			Low	550	153	324				Low	590	164	347
			Quiet	480	133	283				Quiet	430	119	253
AR*G14LLTA AR*G14LLTB	Cooling	High	800	222	471				High	940	261	553	
		Med	700	194	412				Med	880	244	518	
		Low	600	167	353				Low	820	227	483	
		Quiet	480	133	283				Quiet	750	208	441	
	Heating	High	800	222	471					High	940	261	553
		Med	700	194	412					Med	880	244	518
		Low	600	167	353					Low	820	227	483
		Quiet	480	133	283					Quiet	750	208	441
AR*G18LLTA AR*G18LLTB	Cooling	High	940	261	553				High	940	261	553	
		Med	880	244	518				Med	880	244	518	
		Low	820	227	483				Low	820	227	483	
		Quiet	750	208	441				Quiet	750	208	441	
	Heating	High	940	261	553					High	940	261	553
		Med	880	244	518					Med	880	244	518
		Low	820	227	483					Low	820	227	483
		Quiet	750	208	441					Quiet	750	208	441

Conversion Factor
 1 m³/h = 0.2778 l/s = 0.5886 CFM
 3.6 m³/h = 1 l/s
 1.699 m³/h = 1 CFM

Type	Model	Operation mode	Fan speed	Airflow			Type	Model	Operation mode	Fan speed	Airflow					
				m³/h	l/s	CFM					m³/h	l/s	CFM			
Wall Mounted	AS*G07LMCA	Cooling	High	560	156	330	Floor / Ceiling	AB*G14LVTA	Cooling	High	640	178	377			
			Med	500	139	294				Med	590	164	347			
			Low	430	119	253				Low	540	150	318			
			Quiet	310	86	182				Quiet	480	133	283			
		Heating	High	560	156	330			Heating	High	640	178	377			
			Med	500	139	294				Med	590	164	347			
			Low	430	119	253				Low	540	150	318			
			Quiet	330	92	194				Quiet	480	133	283			
		AS*G09LMCA	Cooling	High	600	167			353	Floor / Ceiling	AB*G18LVTA AB*G18LVTB	Cooling	High	780	217	459
				Med	520	144			306				Med	700	194	412
				Low	430	119			253				Low	560	156	330
				Quiet	310	86			182				Quiet	500	139	294
	Heating		High	600	167	353	Heating	High	780			217	459			
			Med	520	144	306		Med	700			194	412			
			Low	430	119	253		Low	560			156	330			
			Quiet	330	92	194		Quiet	500			139	294			
	AS*G12LMCA		Cooling	High	660	183	388	Floor	AG*G09LVCA			Cooling	High	530	147	312
				Med	560	156	330						Med	440	122	259
				Low	450	125	265						Low	360	100	212
				Quiet	310	86	182						Quiet	270	75	159
		Heating	High	660	183	388	Heating			High	530	147	312			
			Med	560	156	330				Med	460	128	270			
			Low	470	131	277				Low	380	106	224			
			Quiet	330	92	194				Quiet	270	75	159			
		AS*G14LMCA	Cooling	High	730	203	430			Floor	AG*G12LVCA	Cooling	High	600	167	353
				Med	600	167	353						Med	490	136	288
				Low	530	147	312						Low	380	106	224
				Quiet	360	100	212						Quiet	270	75	159
	Heating		High	730	203	430	Heating	High	600			167	353			
			Med	615	171	362		Med	510			142	300			
			Low	560	156	330		Low	410			114	241			
			Quiet	375	104	221		Quiet	270			75	159			
	AS*G18LFCA		Cooling	High	900	250	530	Floor	AG*G14LVCA			Cooling	High	650	181	383
				Med	740	206	436						Med	520	144	306
				Low	620	172	365						Low	400	111	235
				Quiet	550	153	324						Quiet	270	75	159
		Heating	High	900	250	530	Heating			High	650	181	383			
			Med	740	206	436				Med	540	150	318			
			Low	620	172	365				Low	430	119	253			
			Quiet	550	153	324				Quiet	270	75	159			
		AS*G24LFCA AS*G24LFCC	Cooling	High	1120	311	659			Floor	AG*G14LVCA	Cooling	High	650	181	383
				Med	900	250	530						Med	520	144	306
				Low	740	206	436						Low	400	111	235
				Quiet	620	172	365						Quiet	270	75	159
	Heating		High	1100	306	647	Heating	High	650			181	383			
			Med	900	250	530		Med	540			150	318			
			Low	740	206	436		Low	430			119	253			
			Quiet	620	172	365		Quiet	270			75	159			

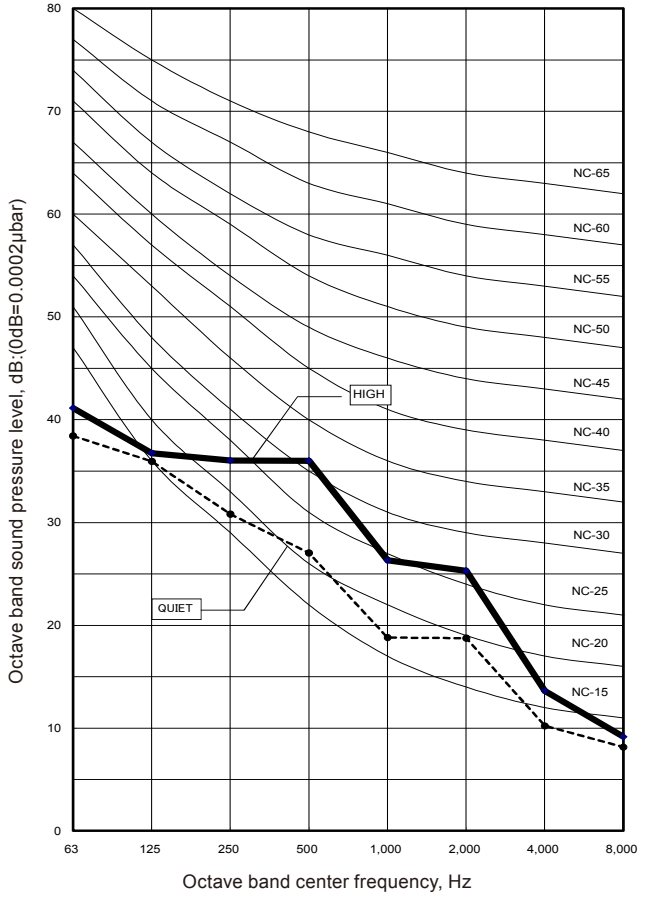
Conversion Factor
 1 m³/h = 0.2778 l/s = 0.5886 CFM
 3.6 m³/h = 1 l/s
 1.699 m³/h = 1 CFM

9. NOISE LEVEL CURVE

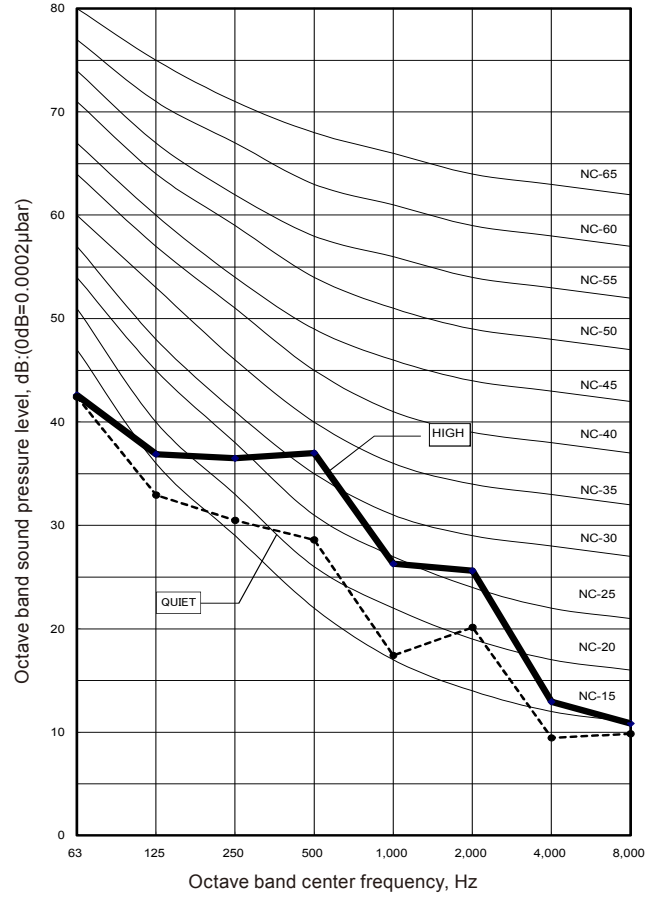
9-1. COMPACT CASSETTE TYPE

■ MODEL : AU*G07LVLA

● Cooling

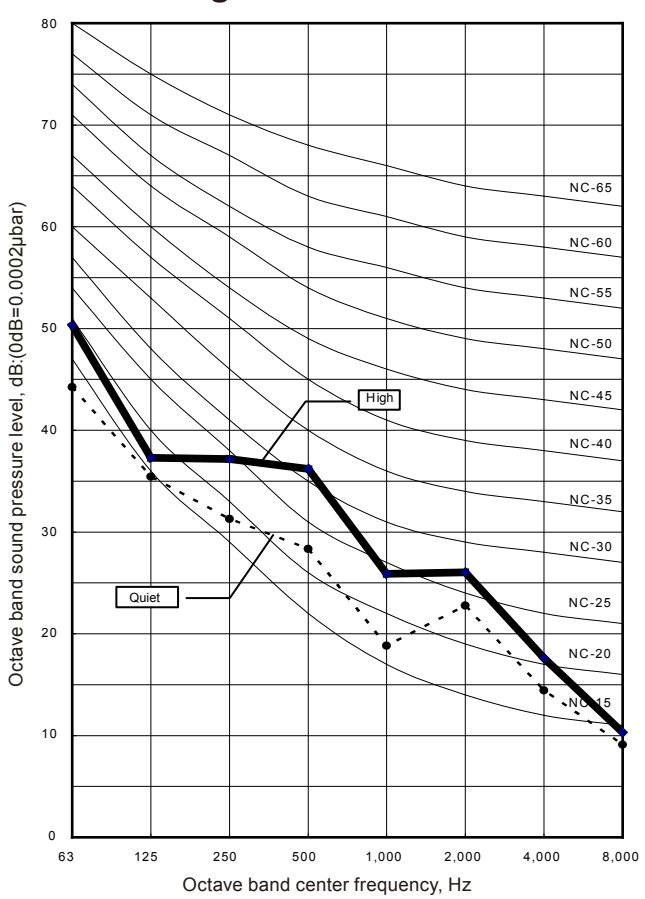


● Heating

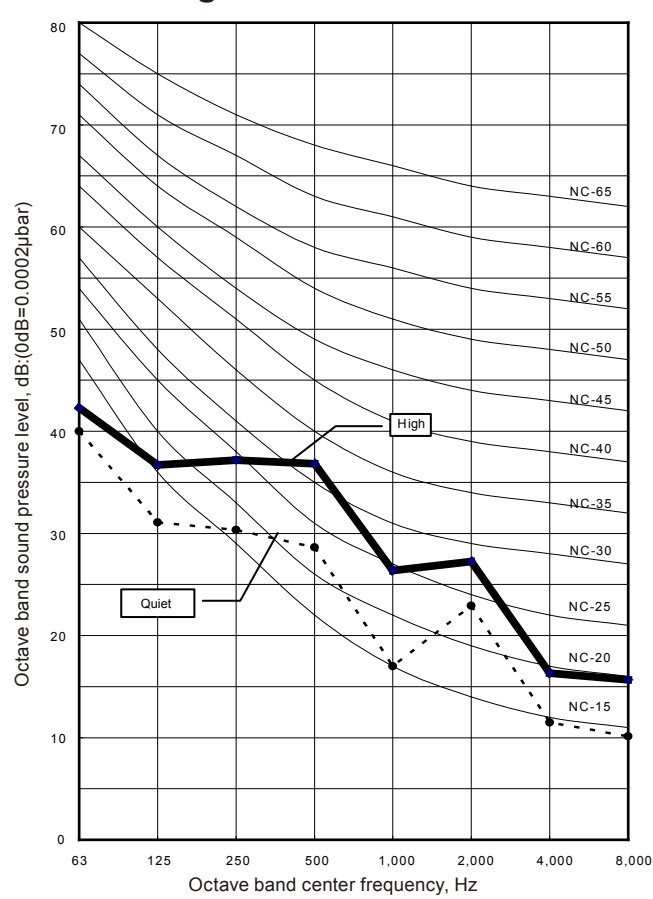


■ MODEL : AU*G09LVLA

● Cooling

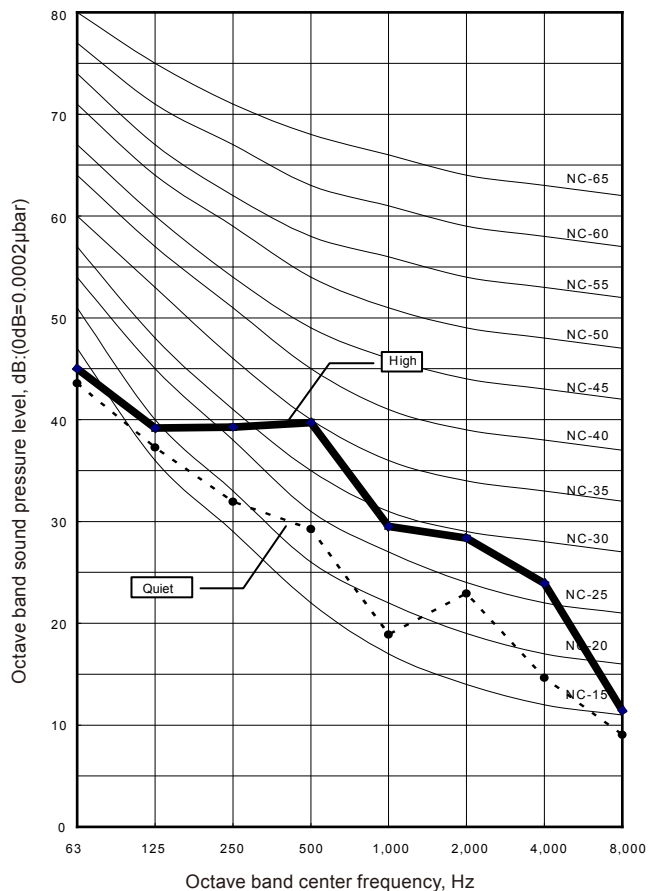


● Heating

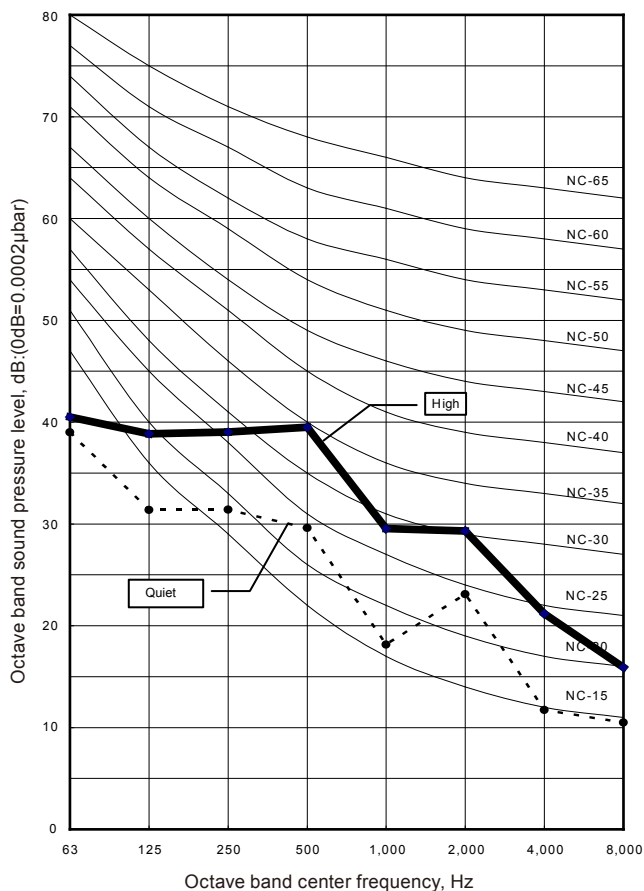


MODELS : AU*G12LVLA, AU*G12LVLB

● Cooling

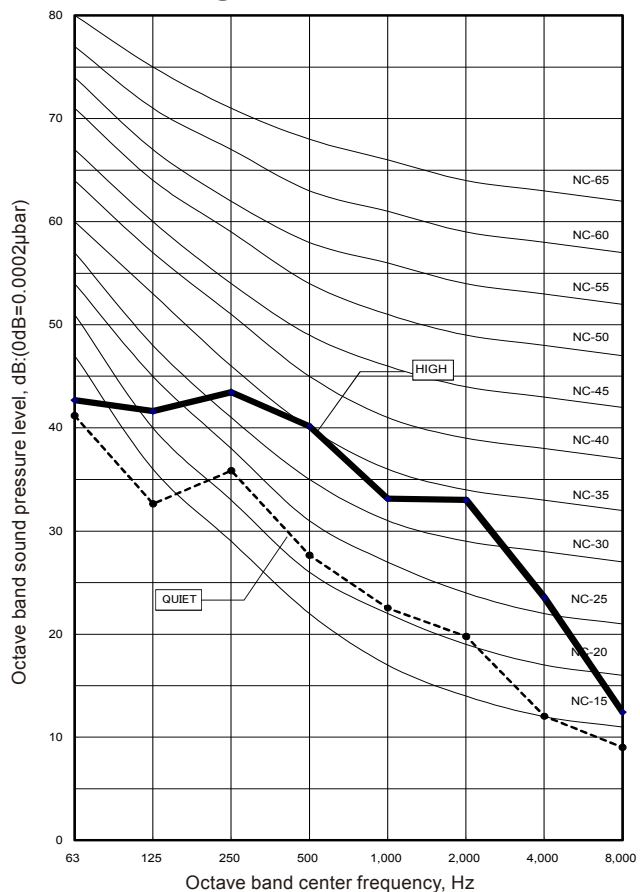


● Heating

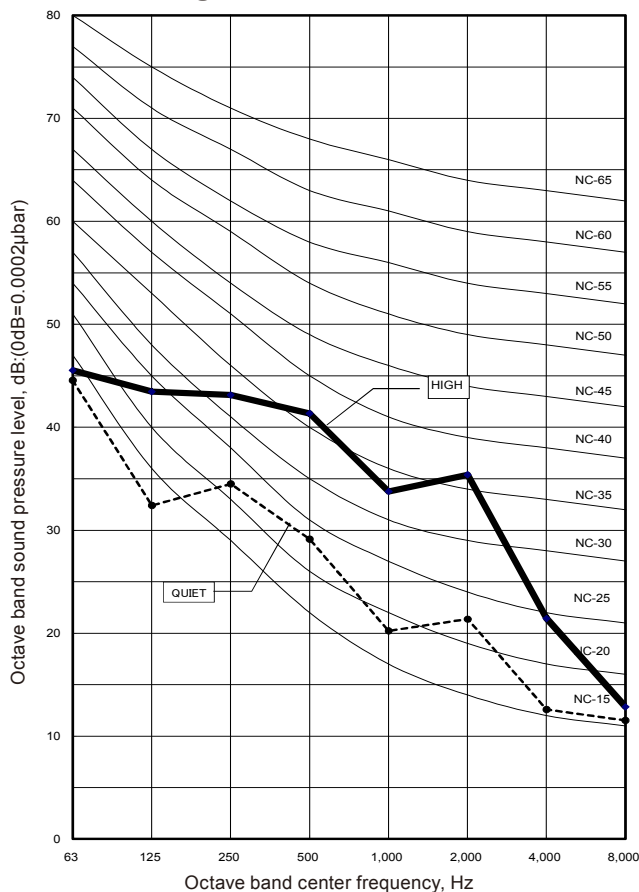


MODELS : AU*G14LVLA, AU*G14LVLB

● Cooling

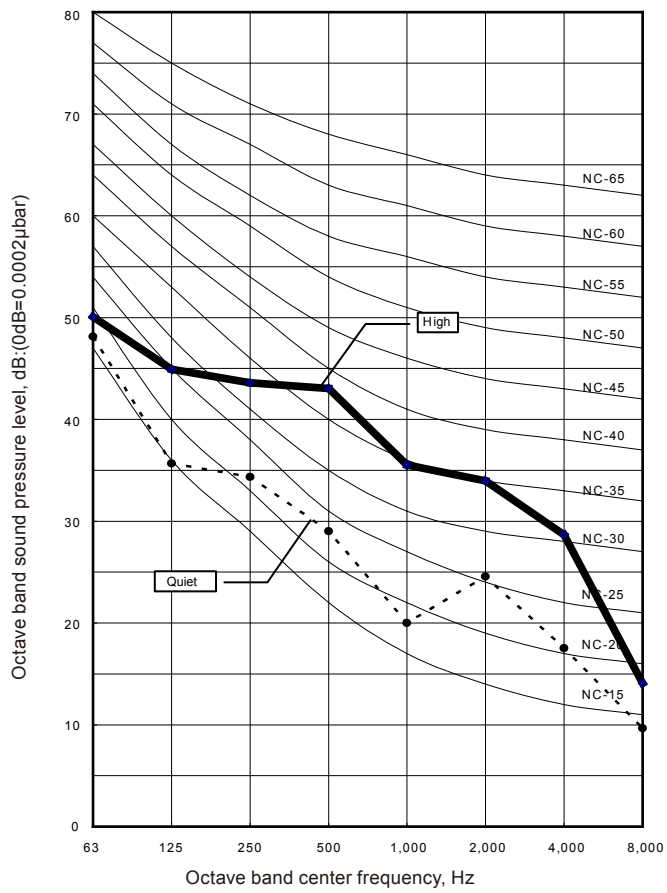


● Heating

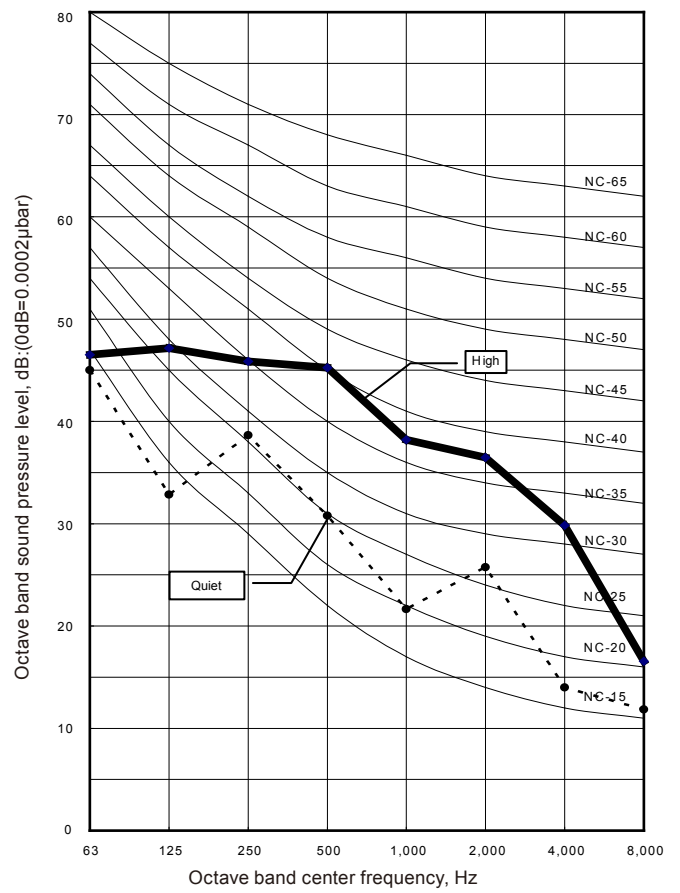


MODELS : AU*G18LVLA, AU*G18LVLB

● Cooling



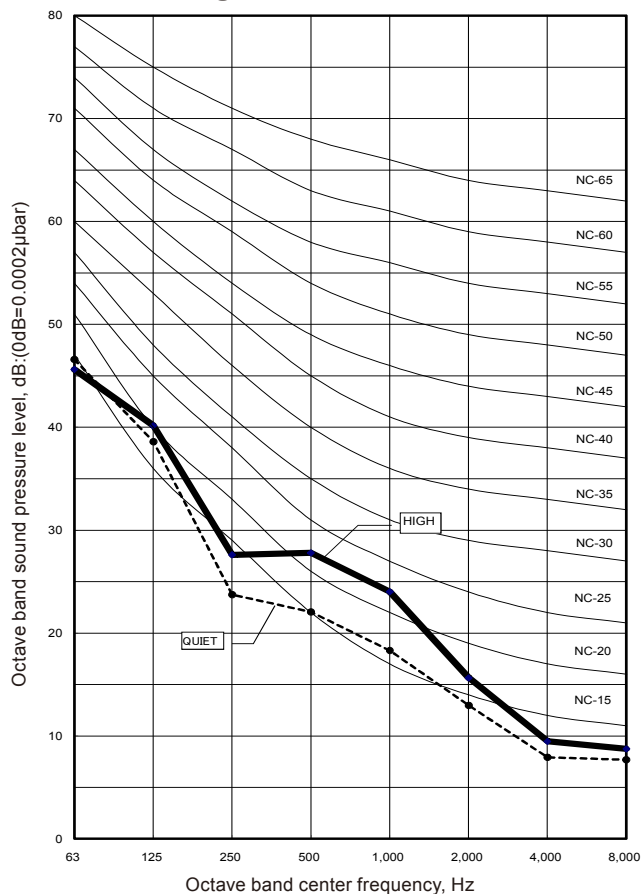
● Heating



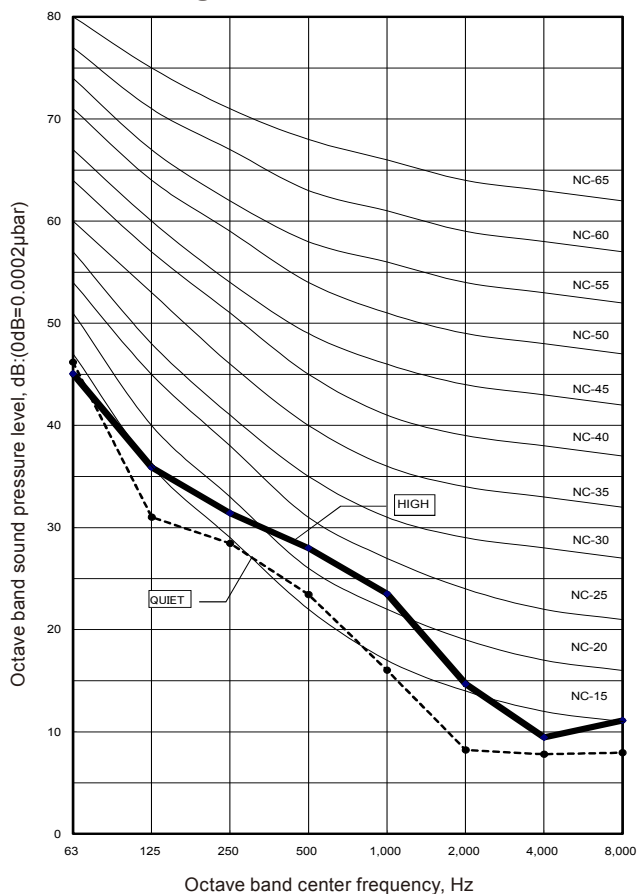
9-2. SLIM DUCT TYPE

MODEL : AR*G07LLTA

● Cooling

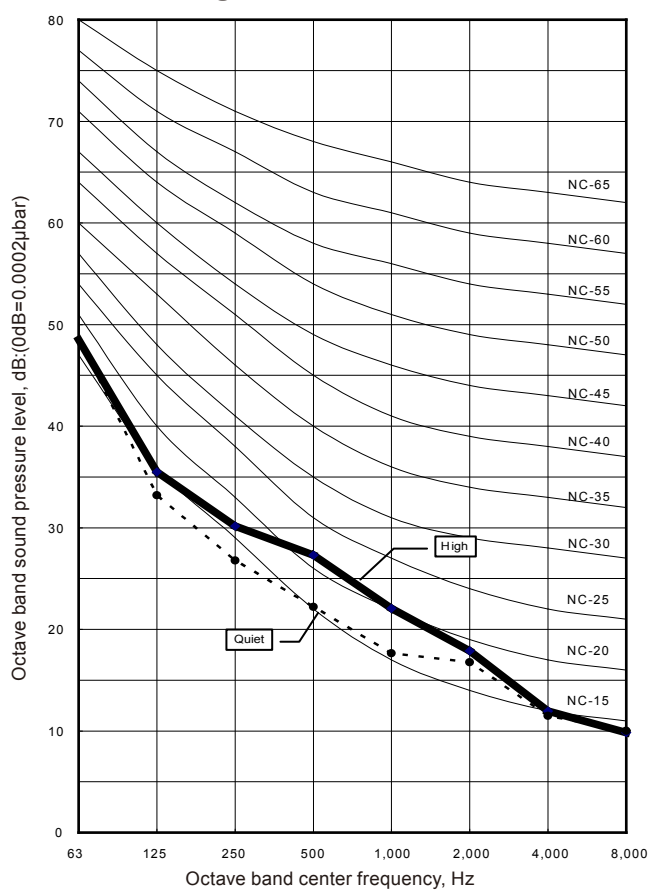


● Heating

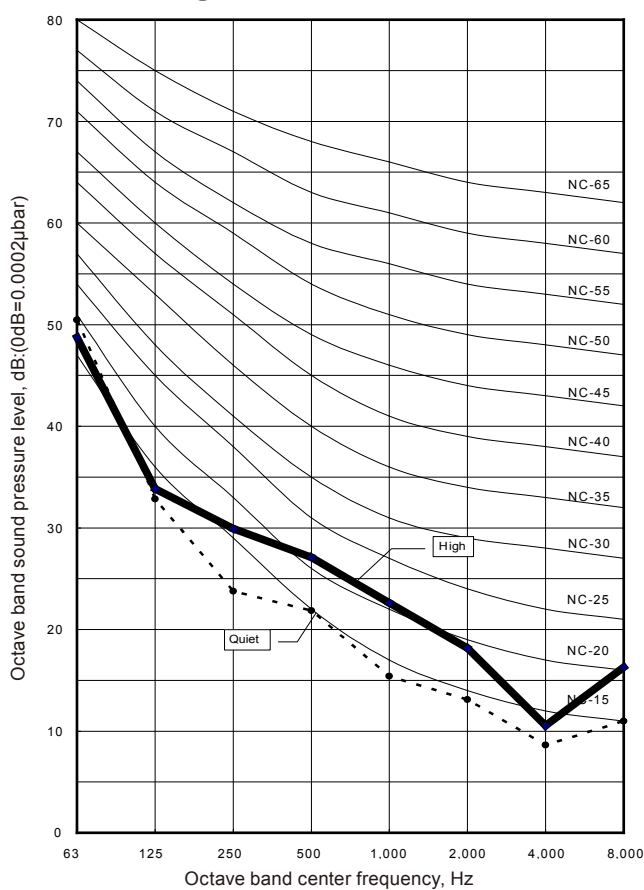


MODEL : AR*G09LLTA

● Cooling

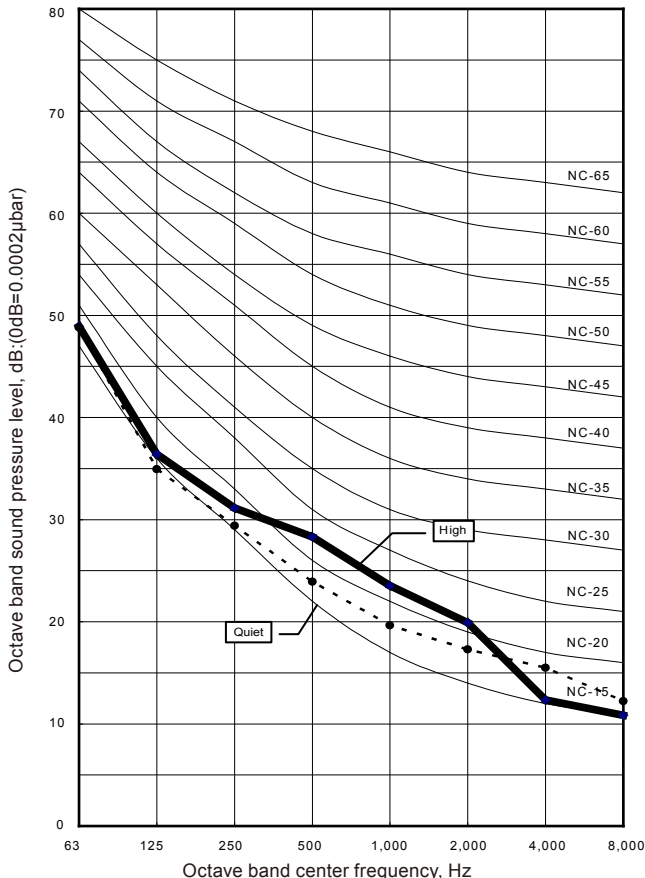


● Heating

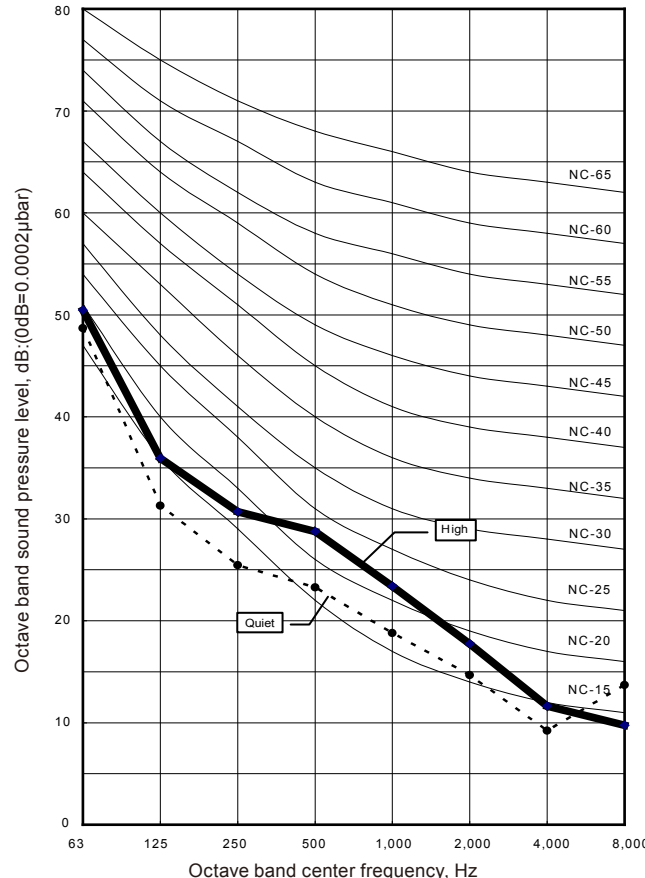


MODELS : AR*G12LLTA, AR*G12LLTB

● Cooling

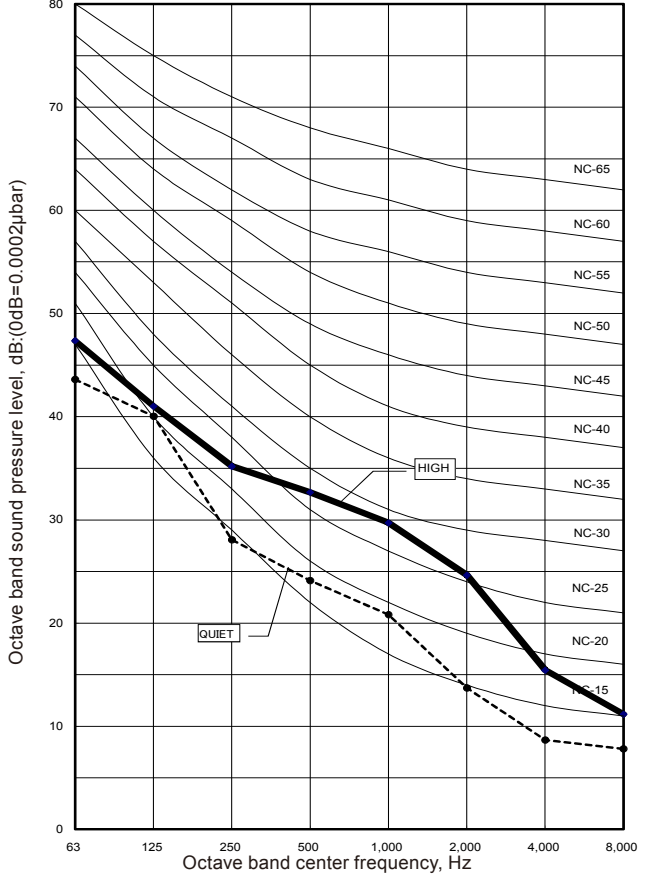


● Heating

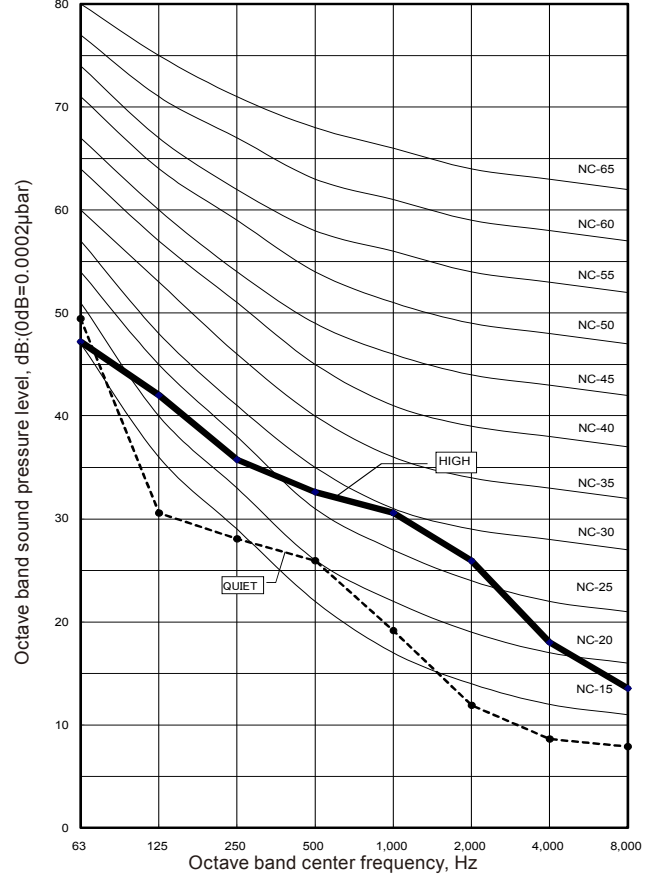


MODELS : AR*G14LLTA, AR*G14LLTB

● Cooling

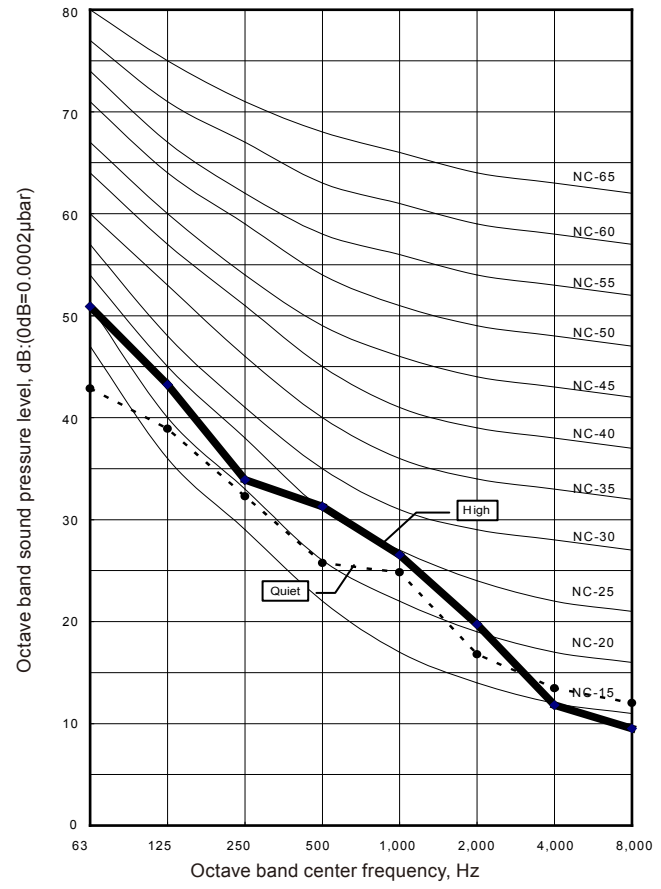


● Heating

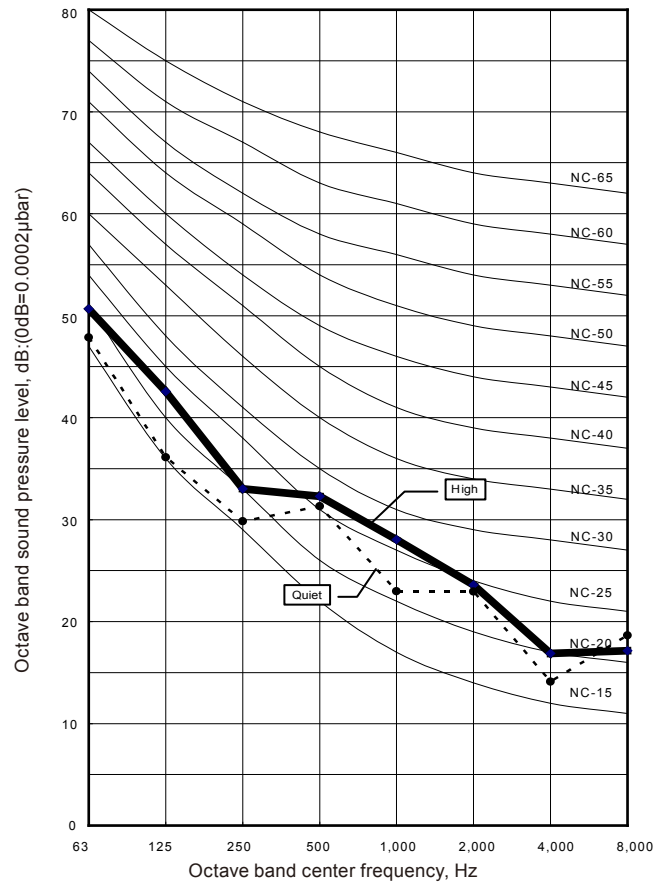


MODELS : AR*G18LLTA, AR*G18LLTB

● Cooling



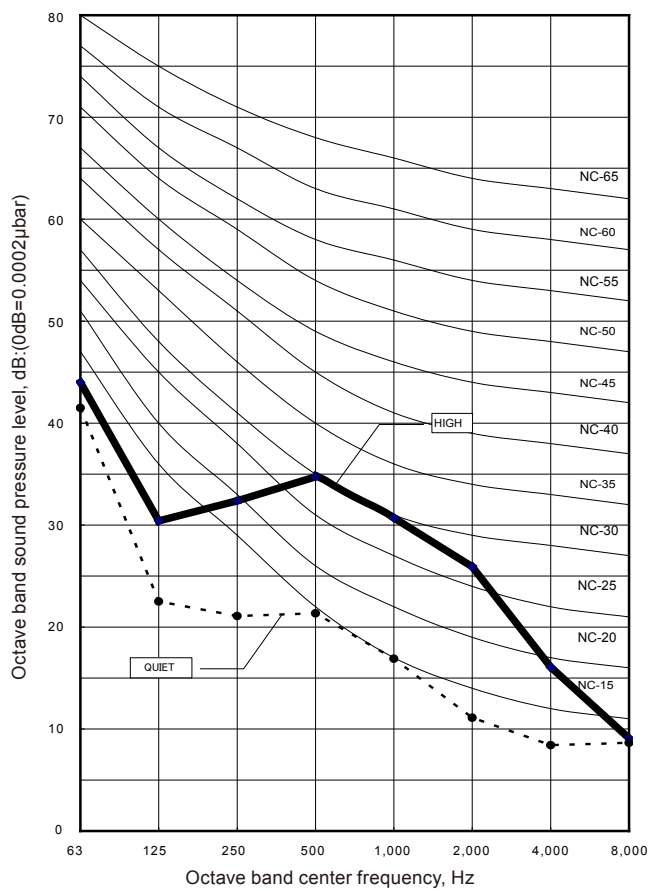
● Heating



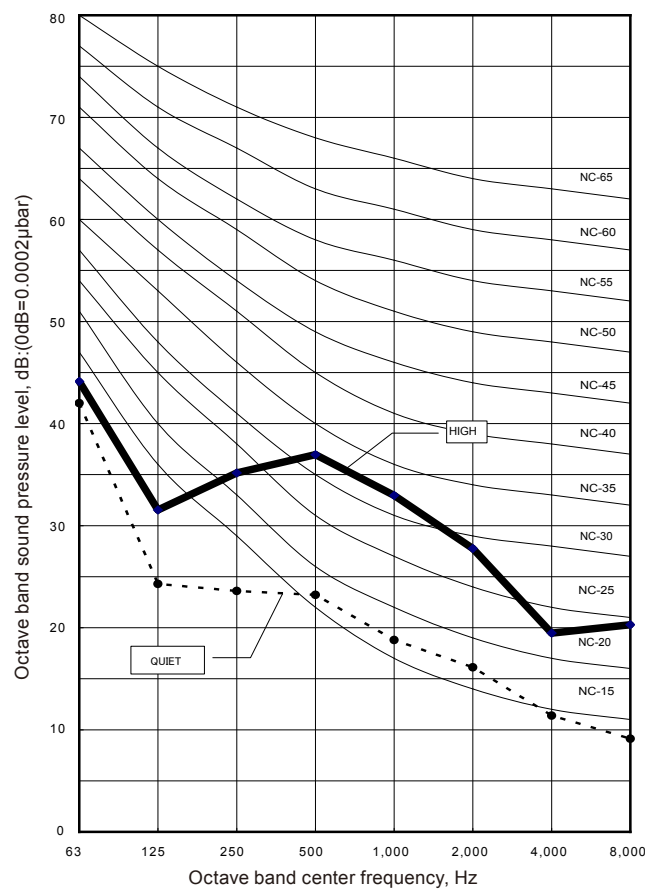
9-3. WALL MOUNTED TYPE

MODEL : AS*G07LJCA

● Cooling

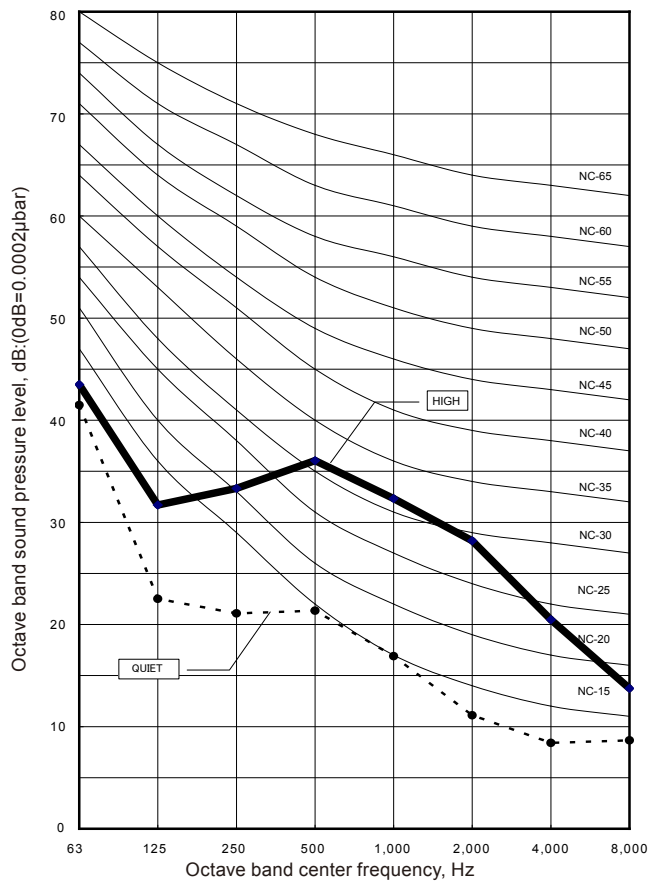


● Heating

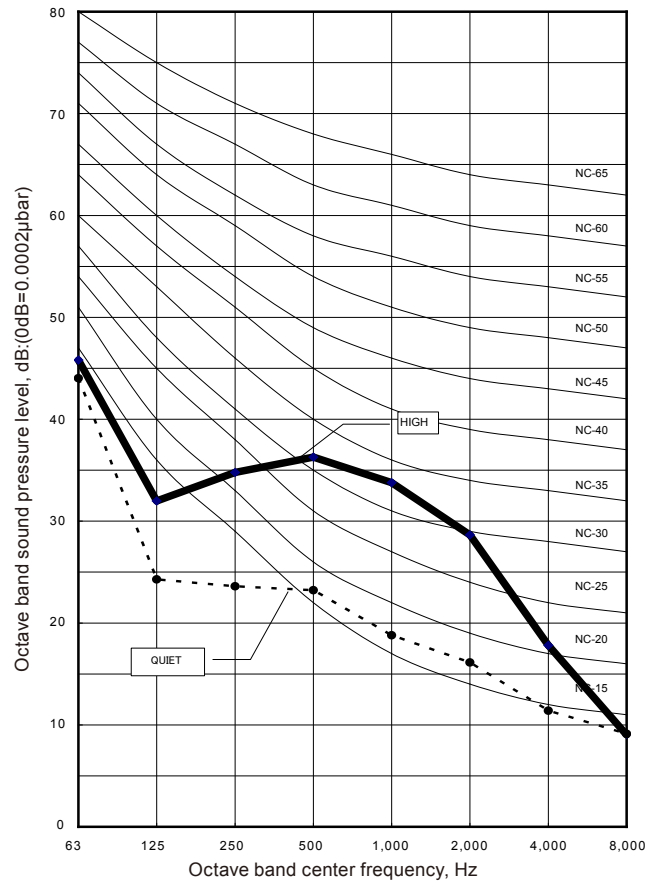


MODEL : AS*G09LJCA

● Cooling

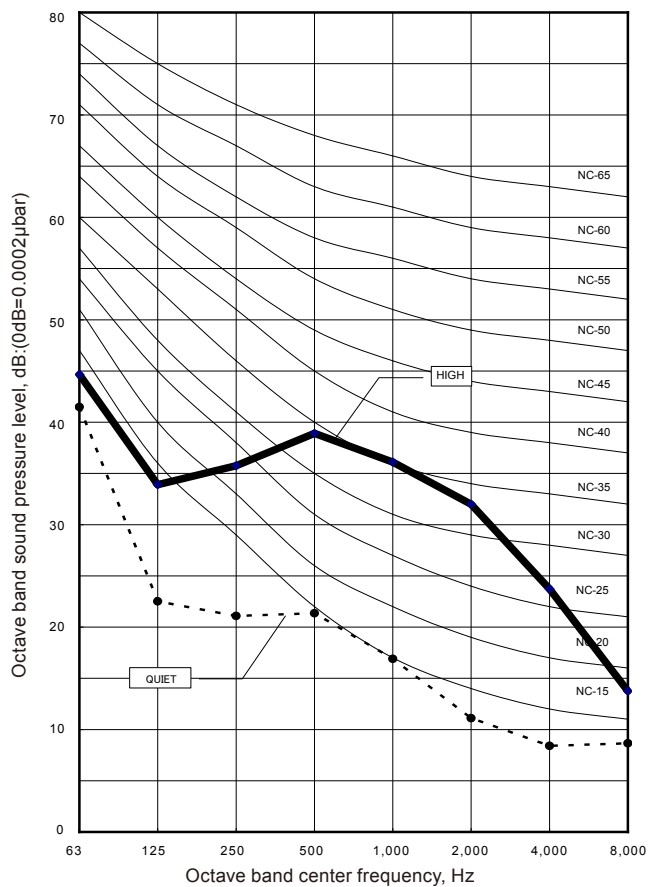


● Heating

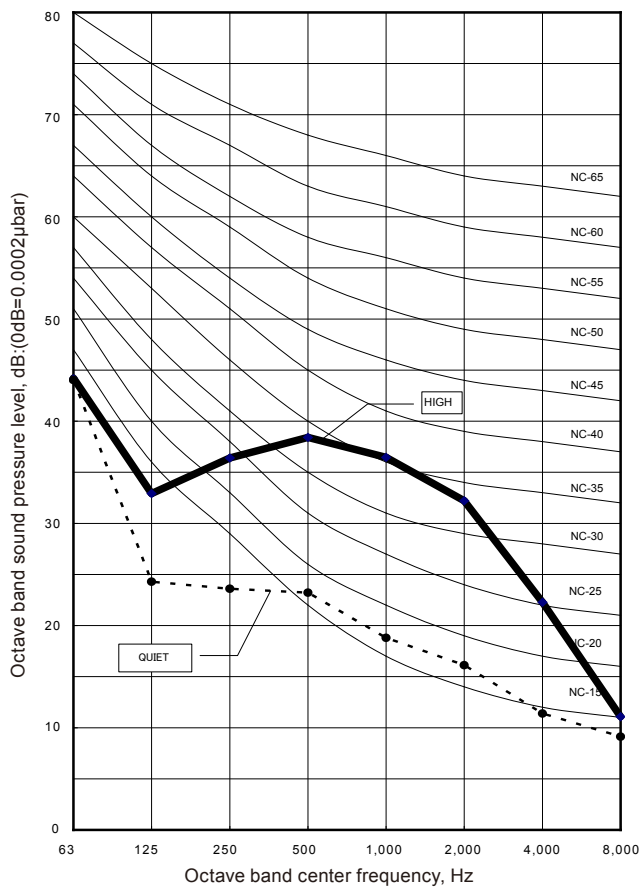


MODEL : AS*G12LJCA

● Cooling

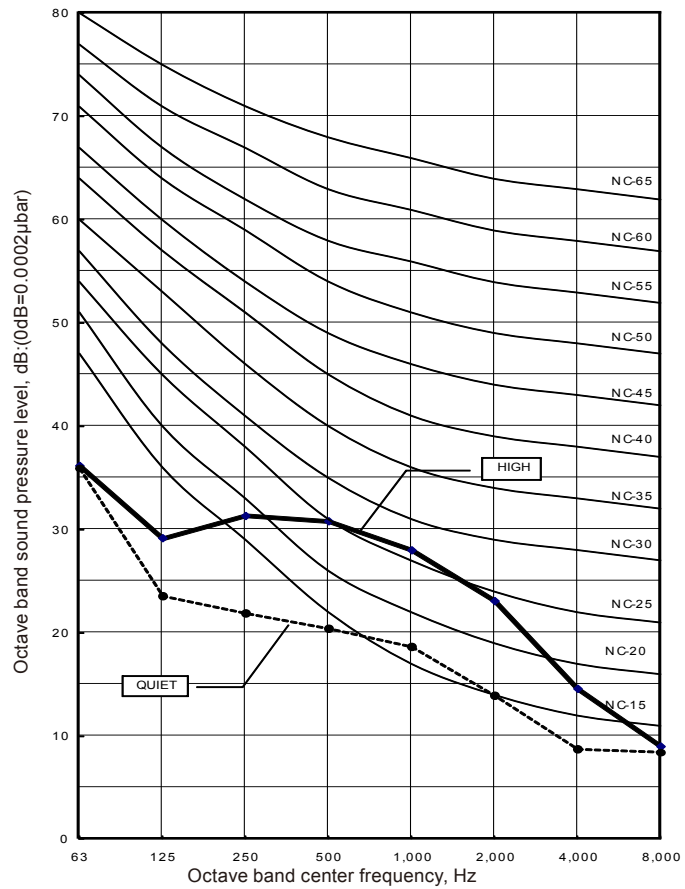


● Heating

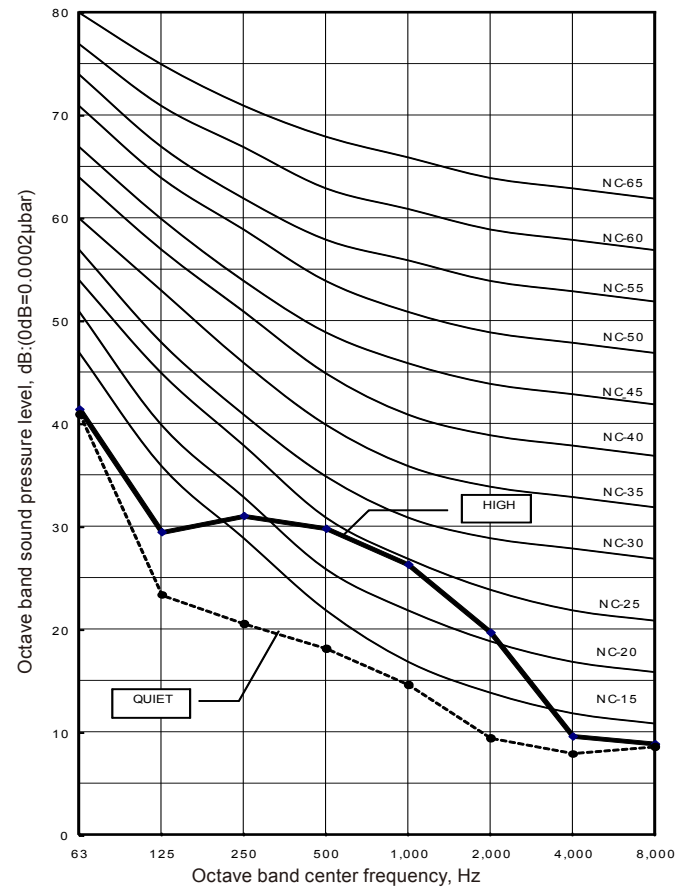


MODEL : AS*G07LUCA

● Cooling

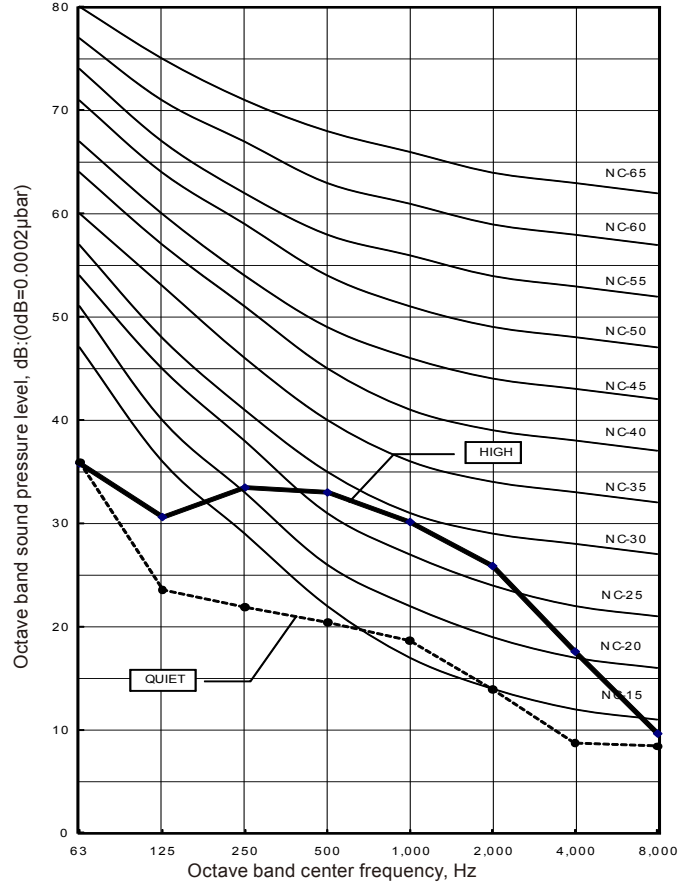


● Heating

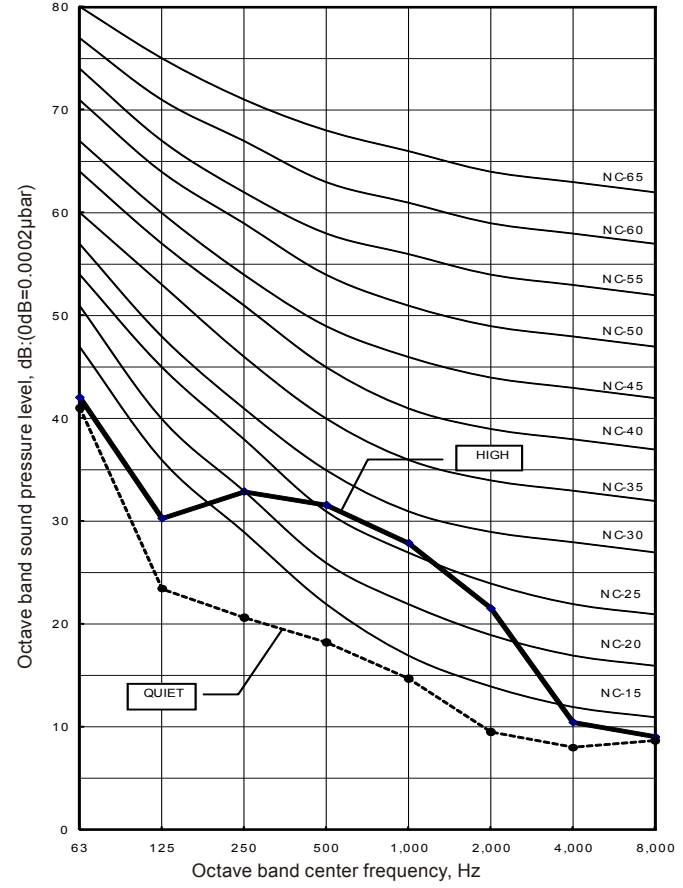


MODEL : AS*G09LUCA

● Cooling

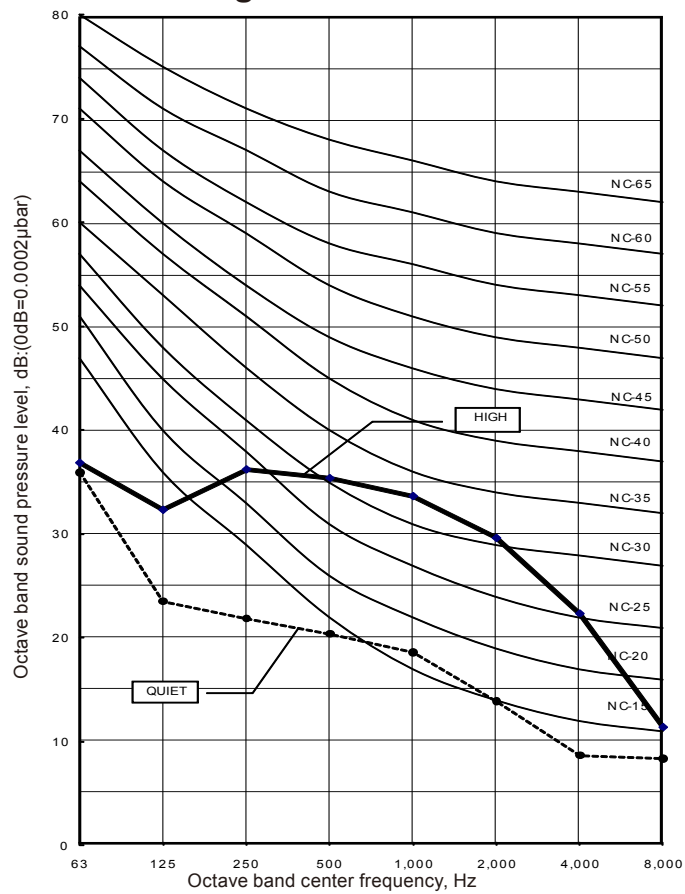


● Heating

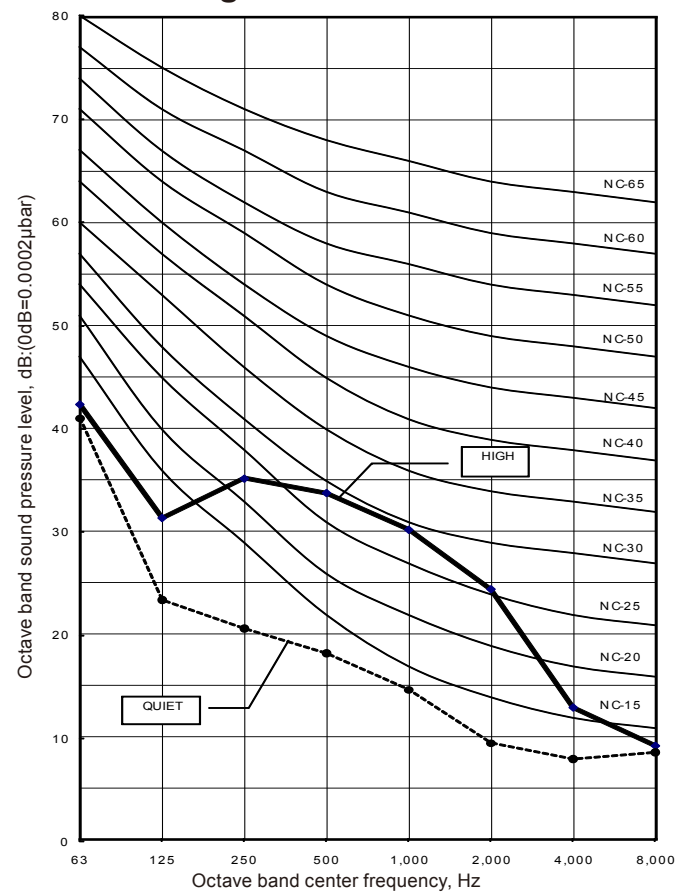


MODEL : AS*G12LUCA

● Cooling

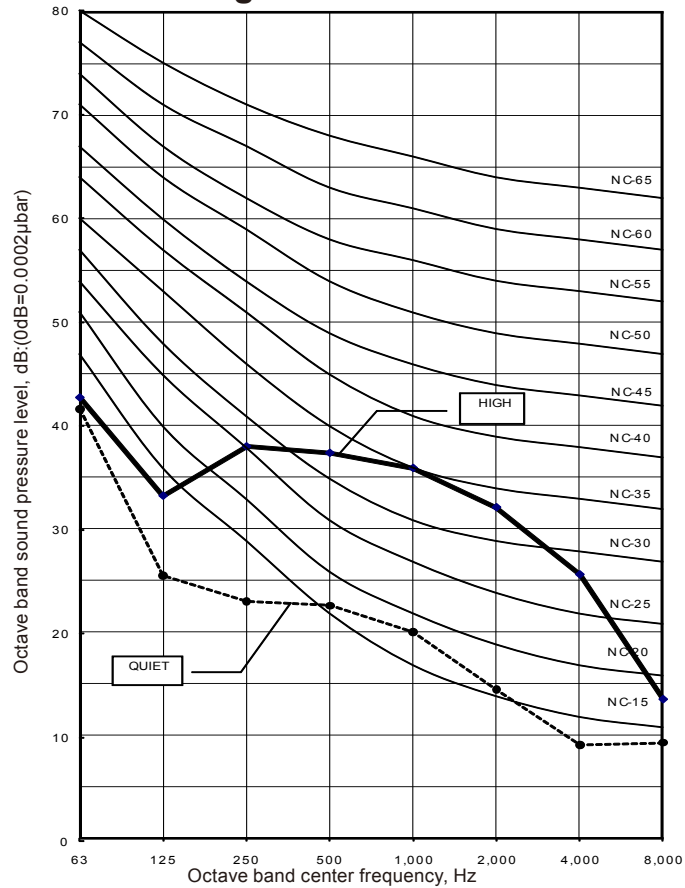


● Heating

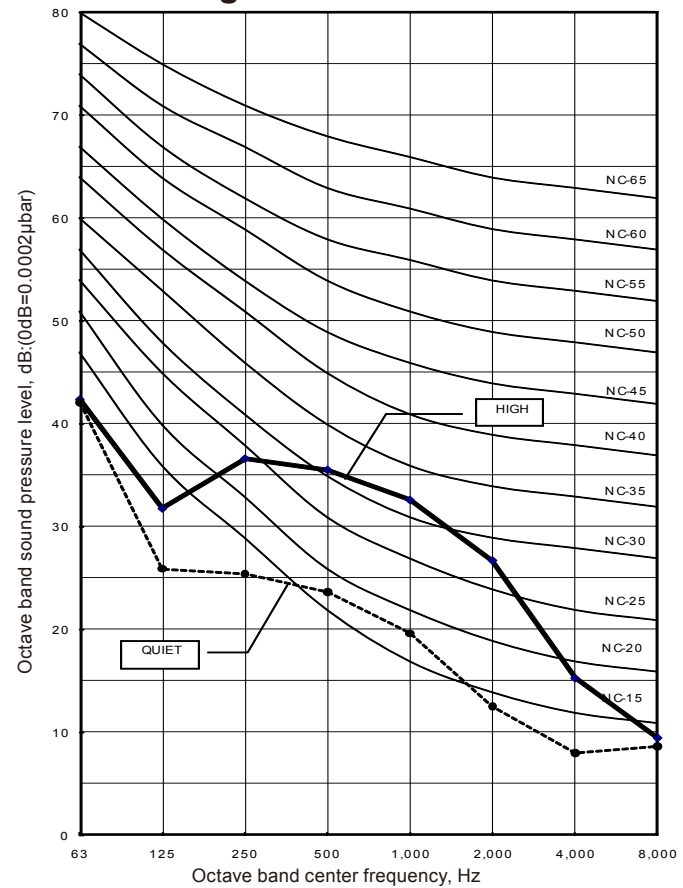


MODEL : AS*G14LUCA

● Cooling

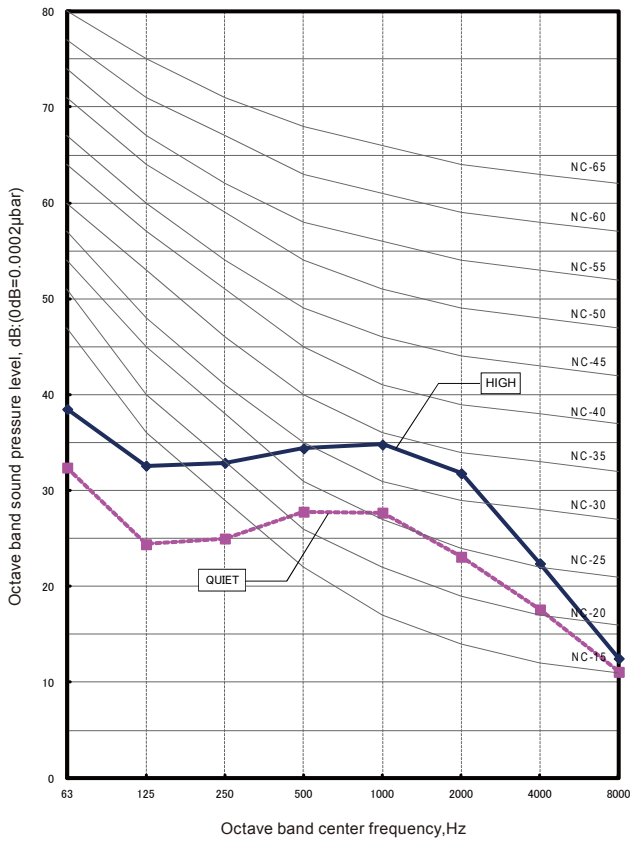


● Heating

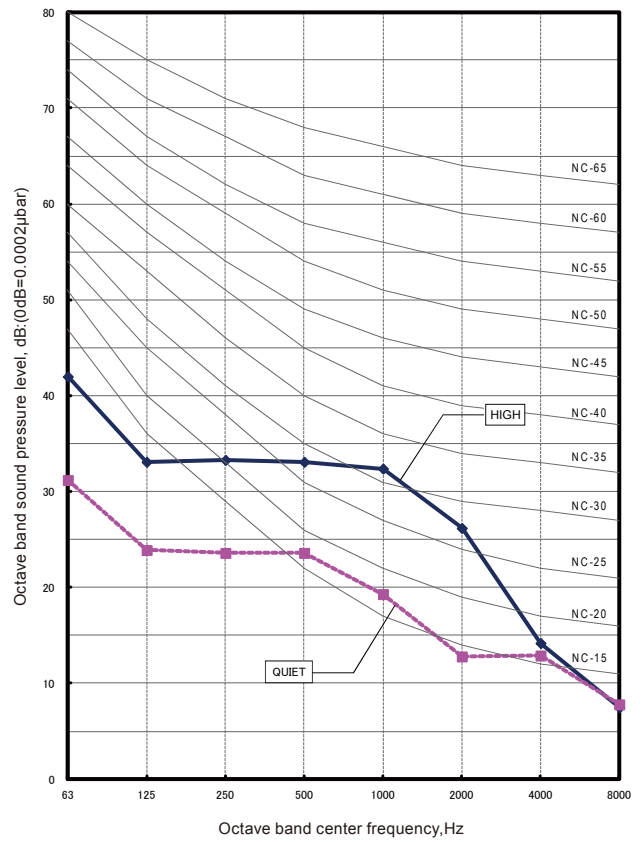


MODEL : AS*G07LMCA

● Cooling

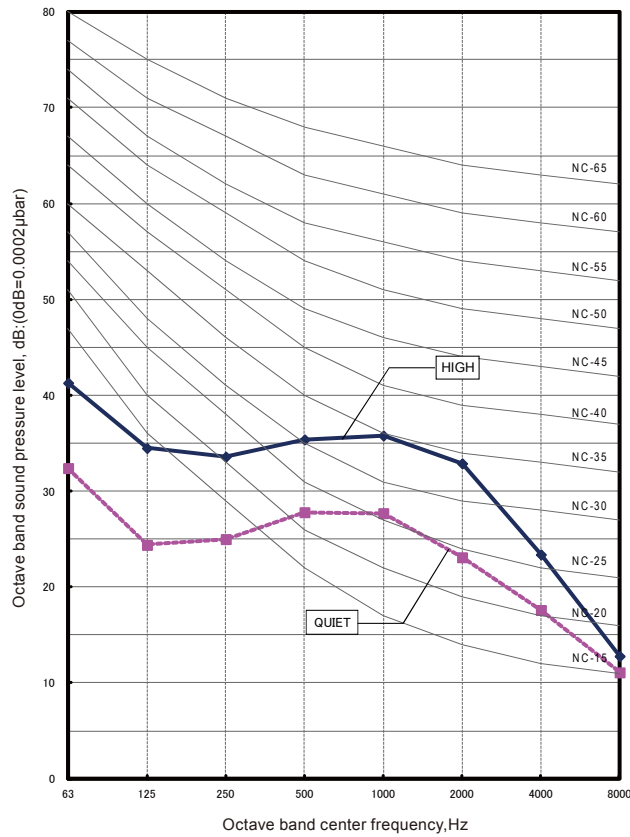


● Heating

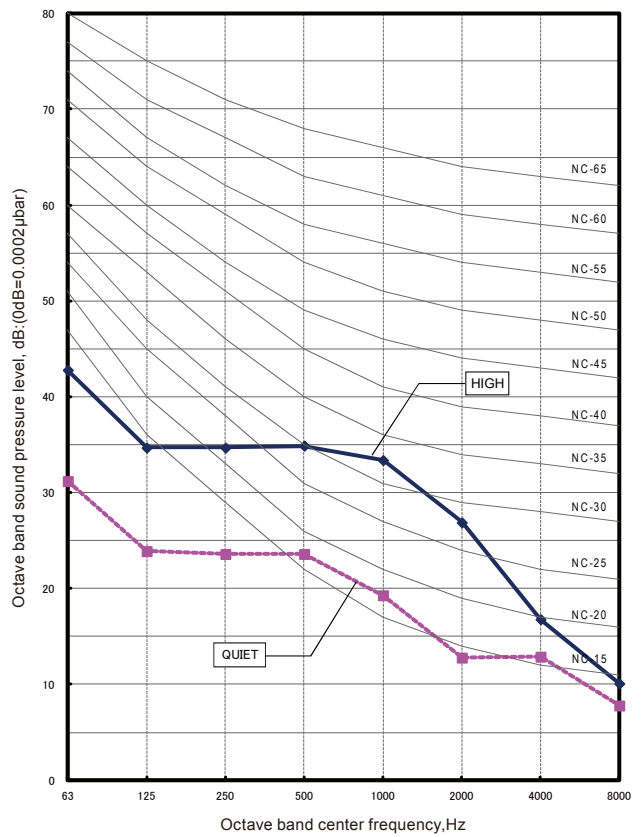


MODEL : AS*G09LMCA

● Cooling

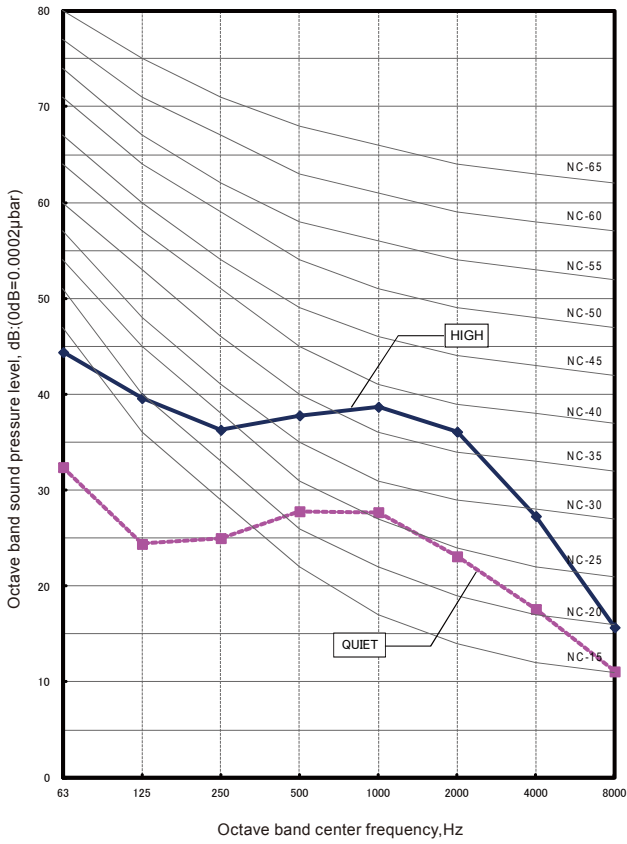


● Heating

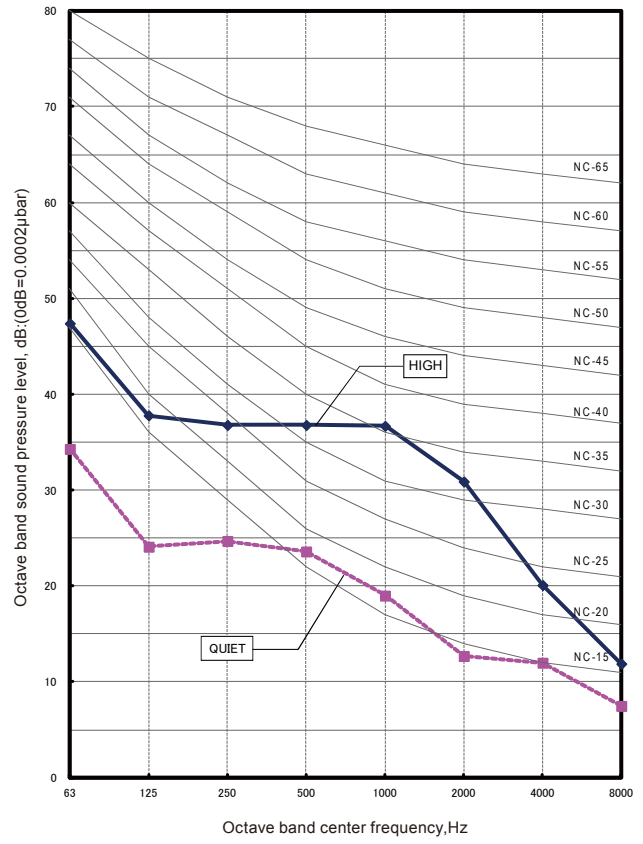


MODEL : AS*G12LMCA

● Cooling

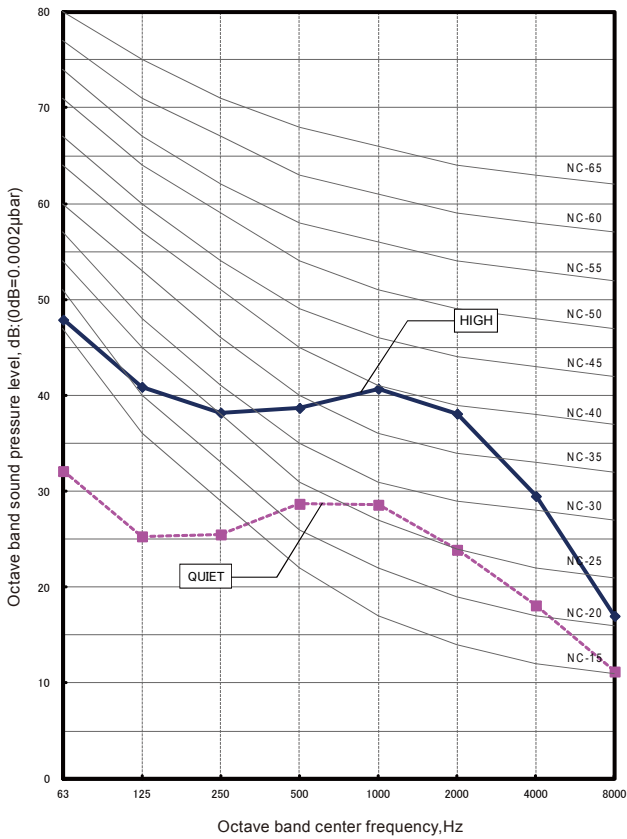


● Heating

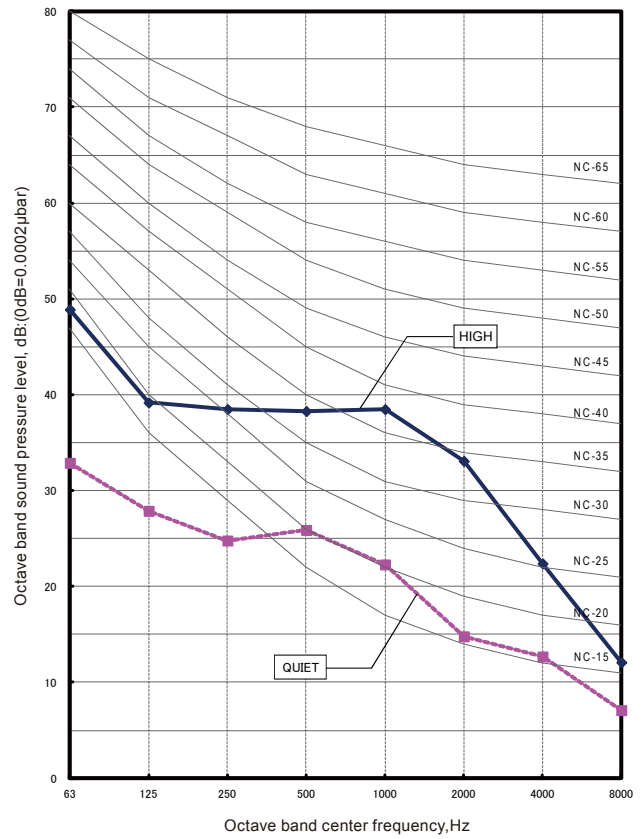


MODEL : AS*G14LMCA

● Cooling

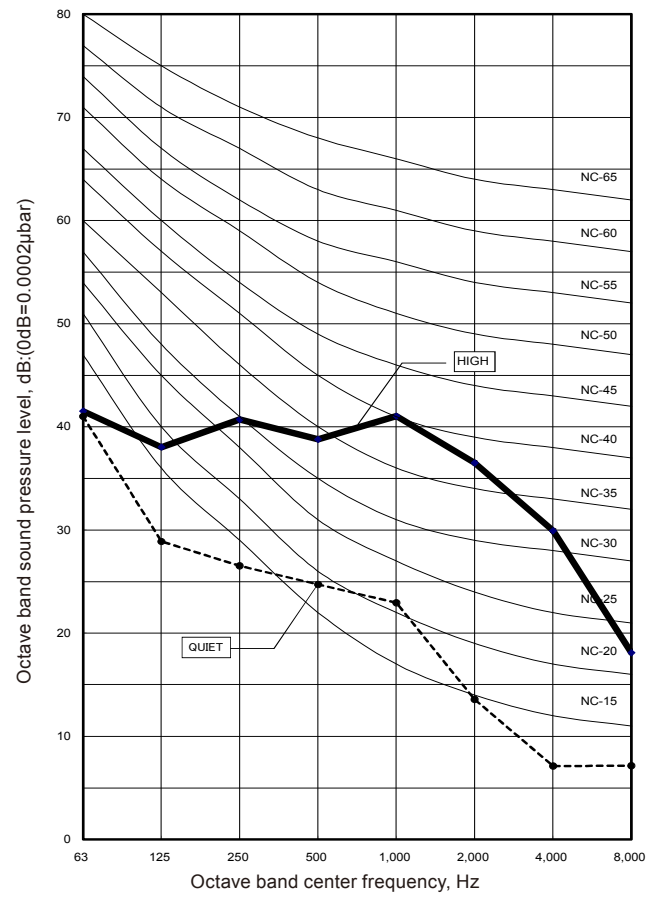


● Heating

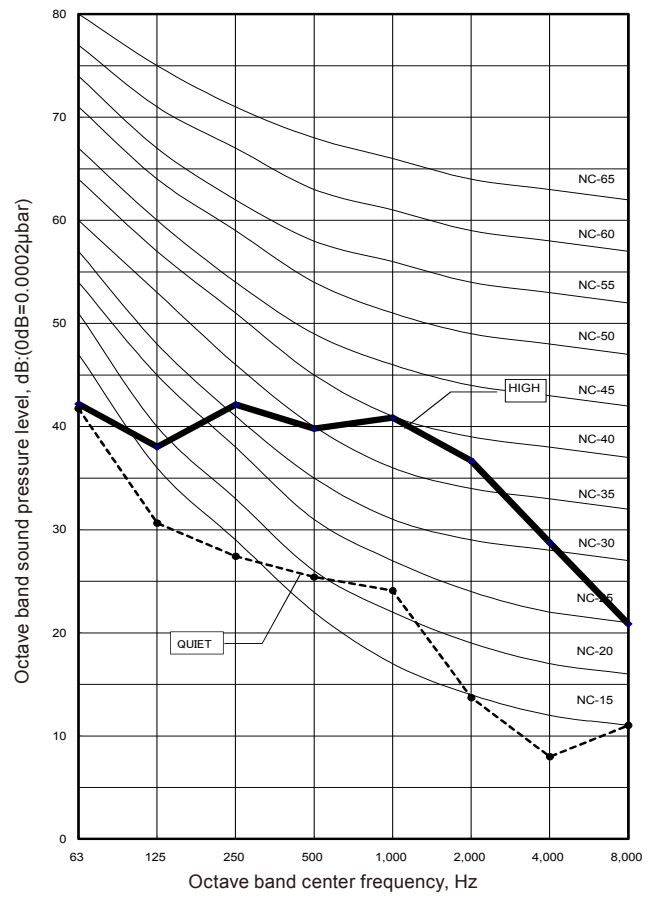


MODEL : AS*G18LFCA

● Cooling

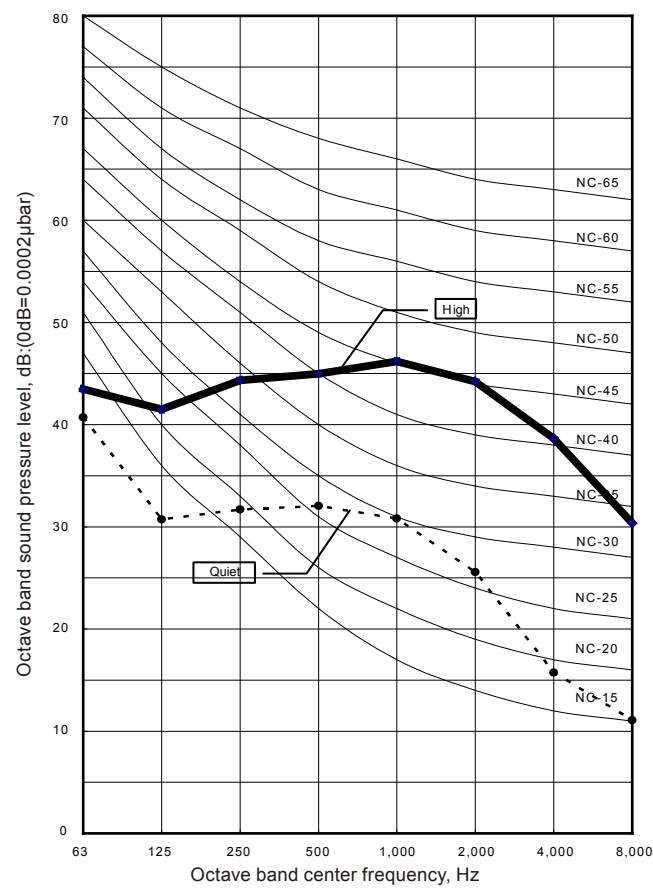


● Heating

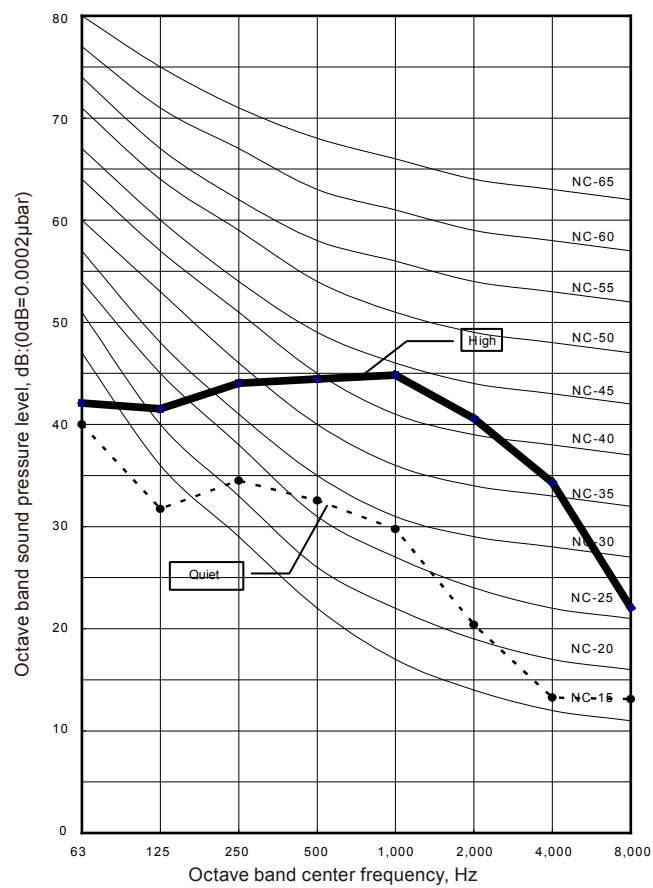


MODELS : AS*G24LFCA, AS*G24LFCC

● Cooling



● Heating

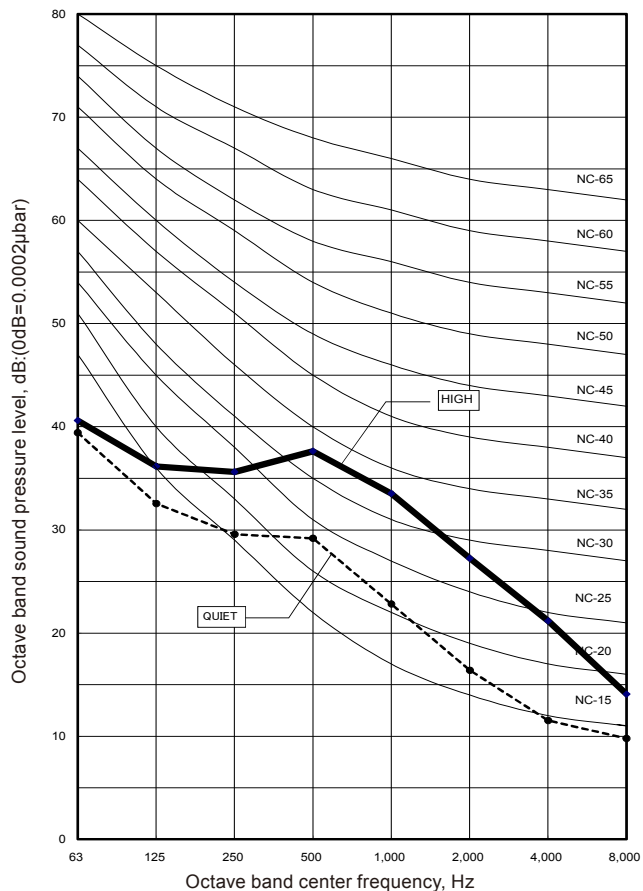


9-4. FLOOR / CEILING TYPE

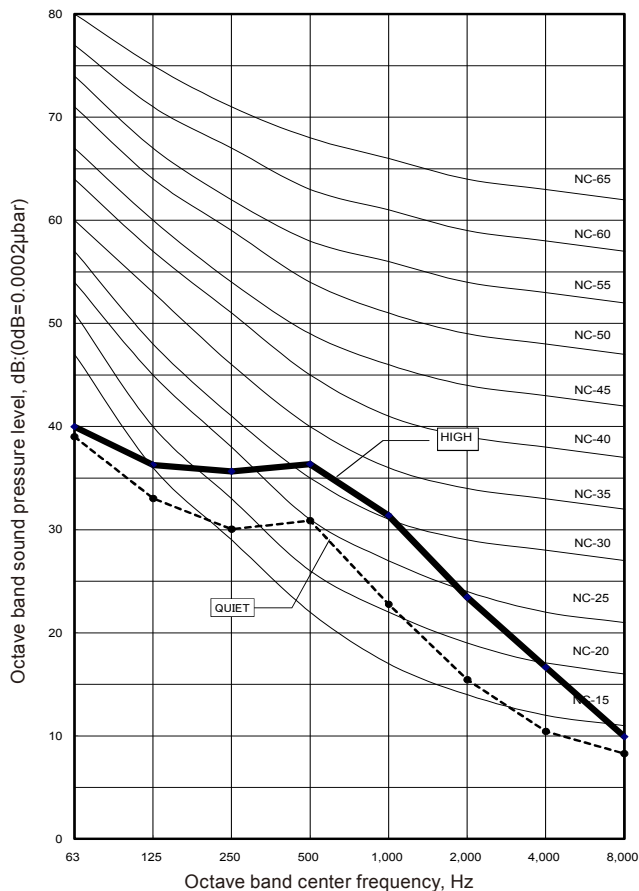
MODEL : AB*G14LVTA

NOTE:
Installation : Under ceiling

● Cooling



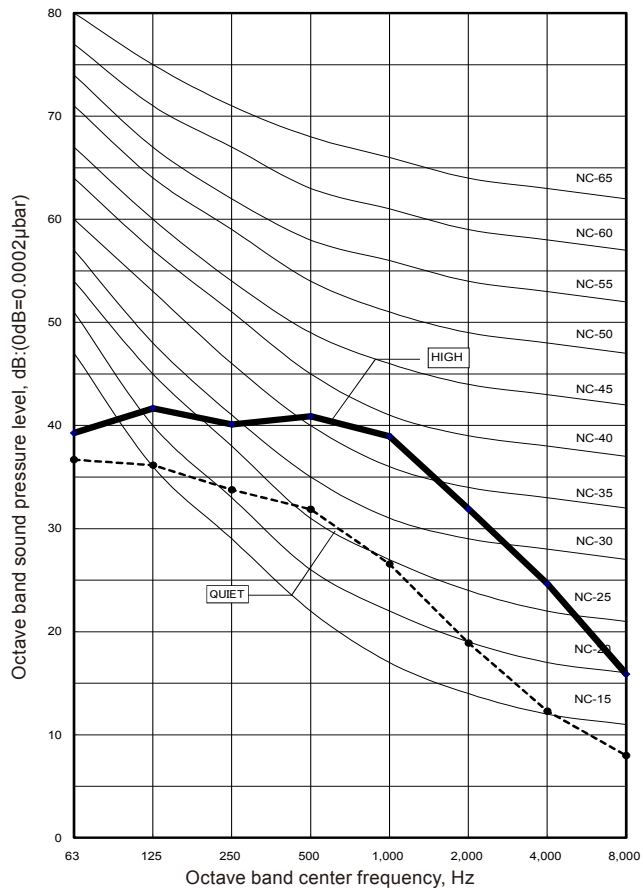
● Heating



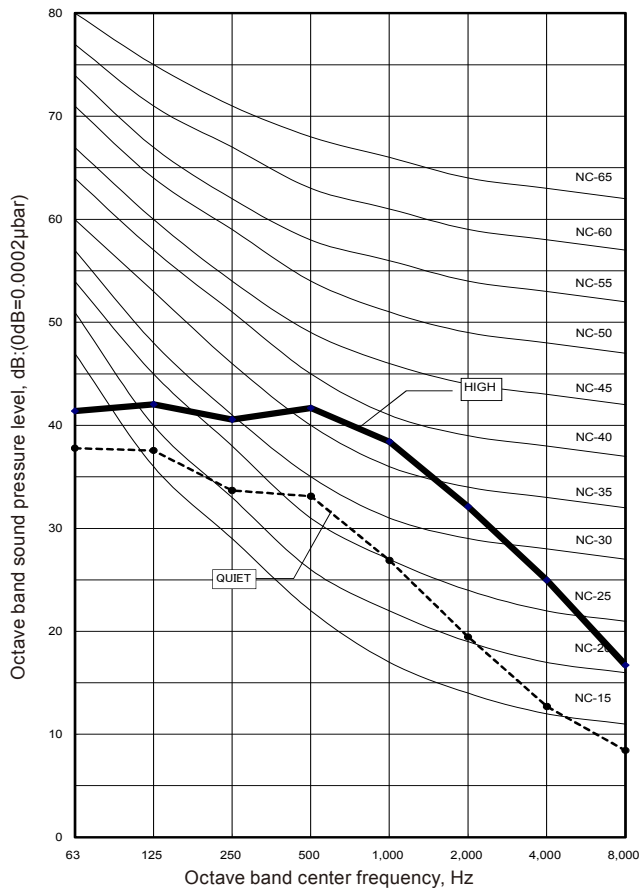
MODELS : AB*G18LVTA, AB*G18LVTB

NOTE:
Installation : Under ceiling

● Cooling



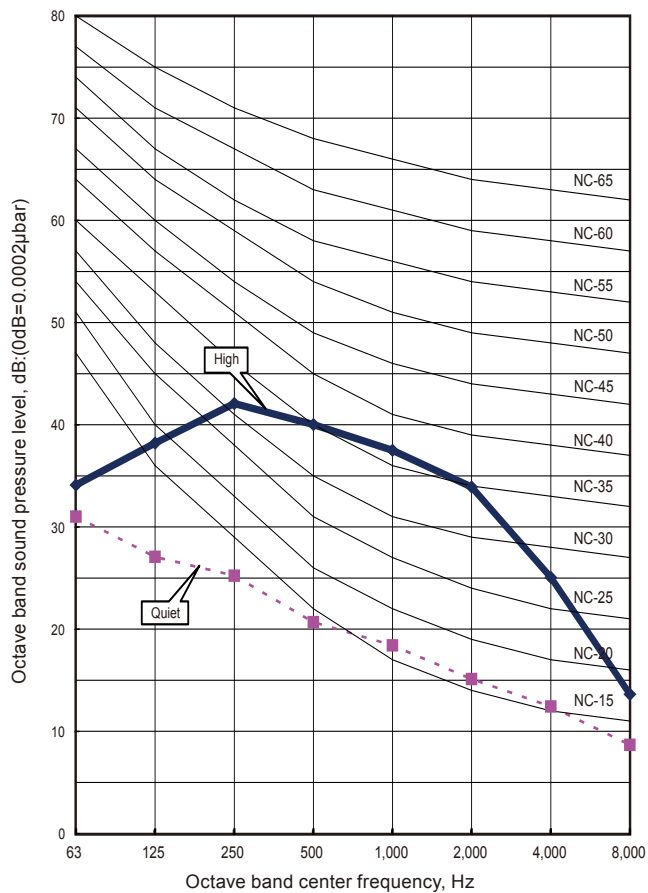
● Heating



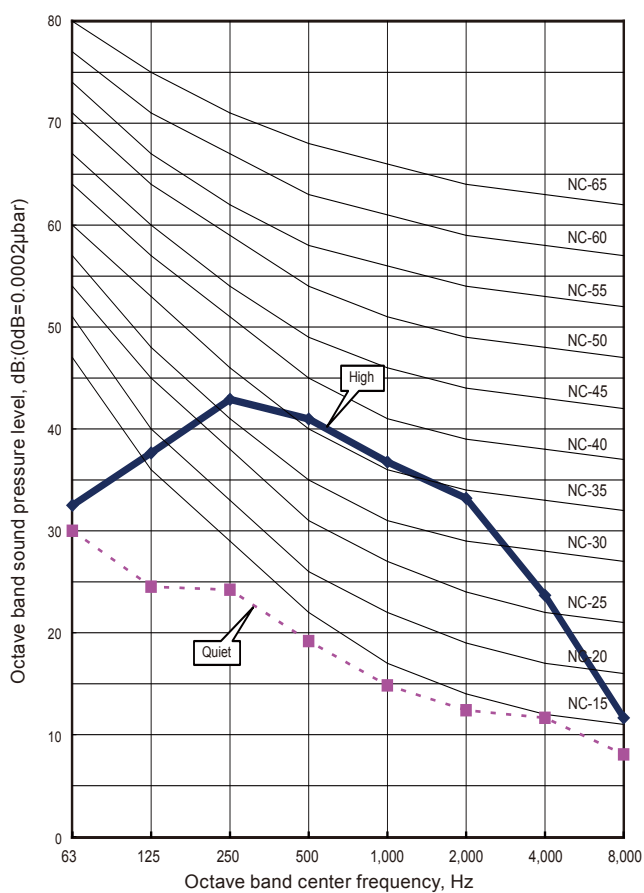
9-5. FLOOR TYPE

MODEL : AG*G09LVCA

● Cooling

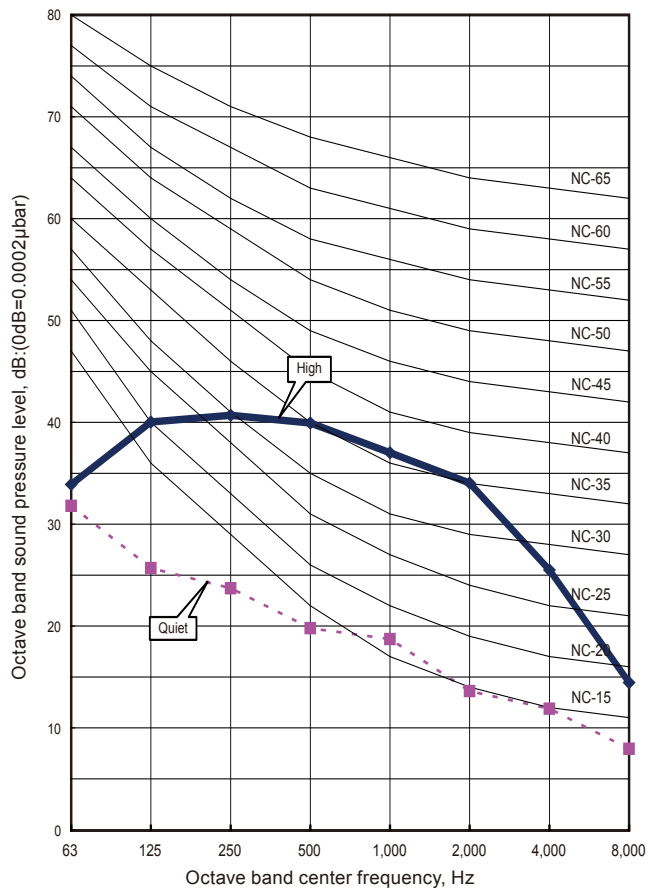


● Heating

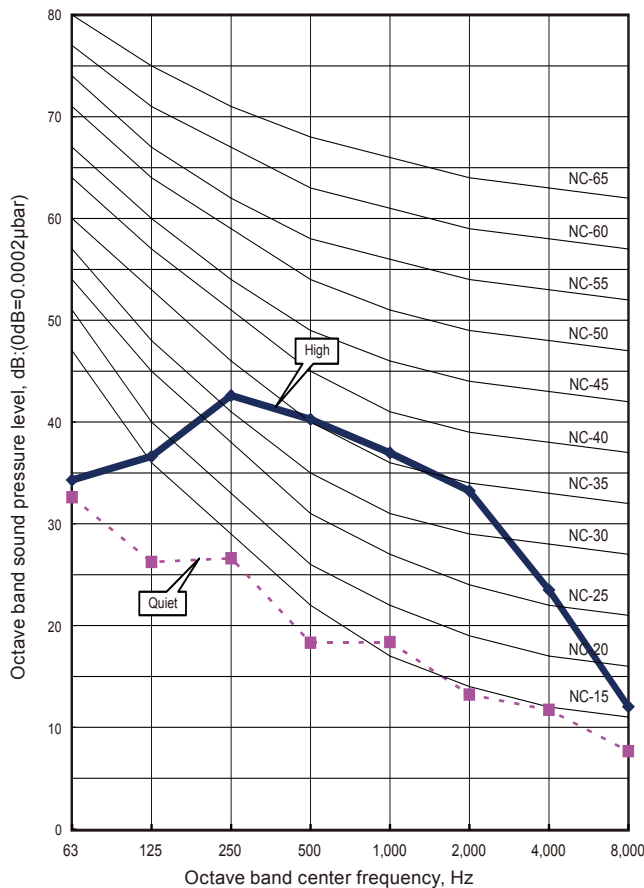


MODEL : AG*G12LVCA

● Cooling

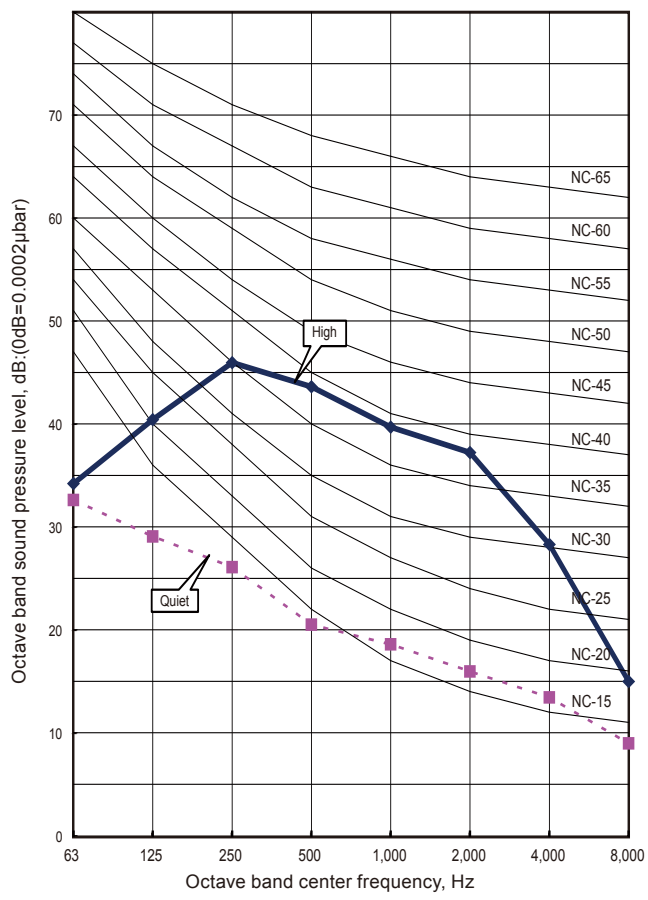


● Heating

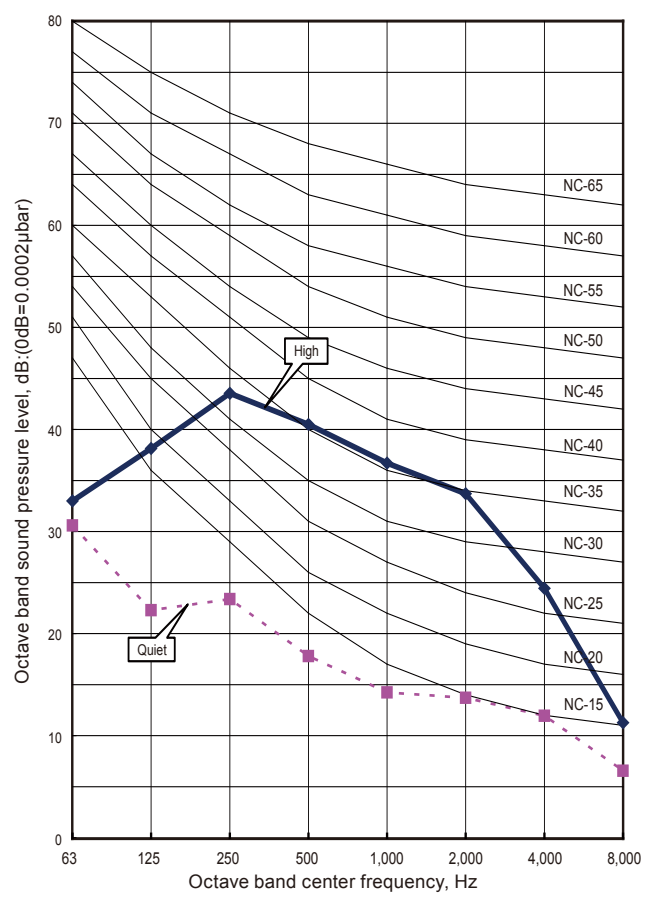


MODEL : AG*G14LVCA

● Cooling

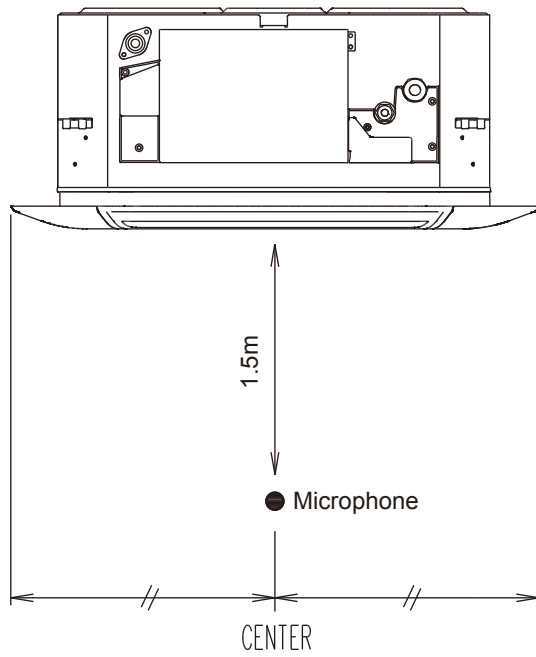
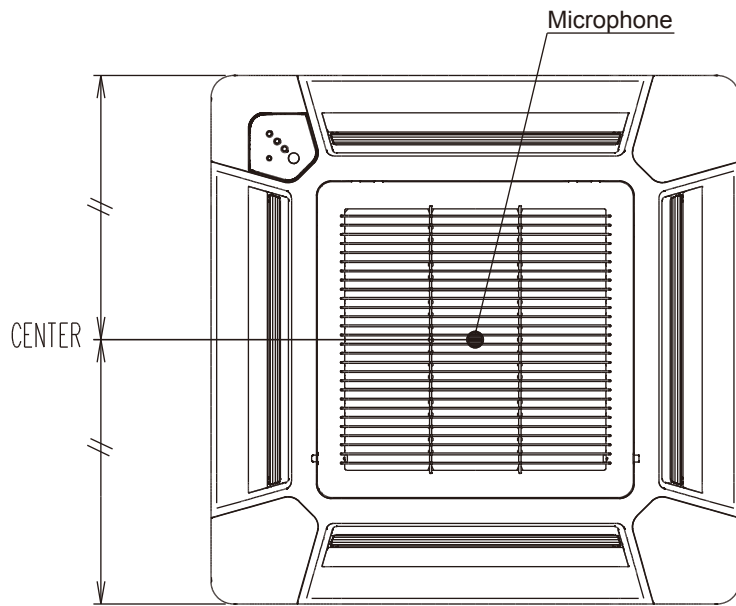


● Heating

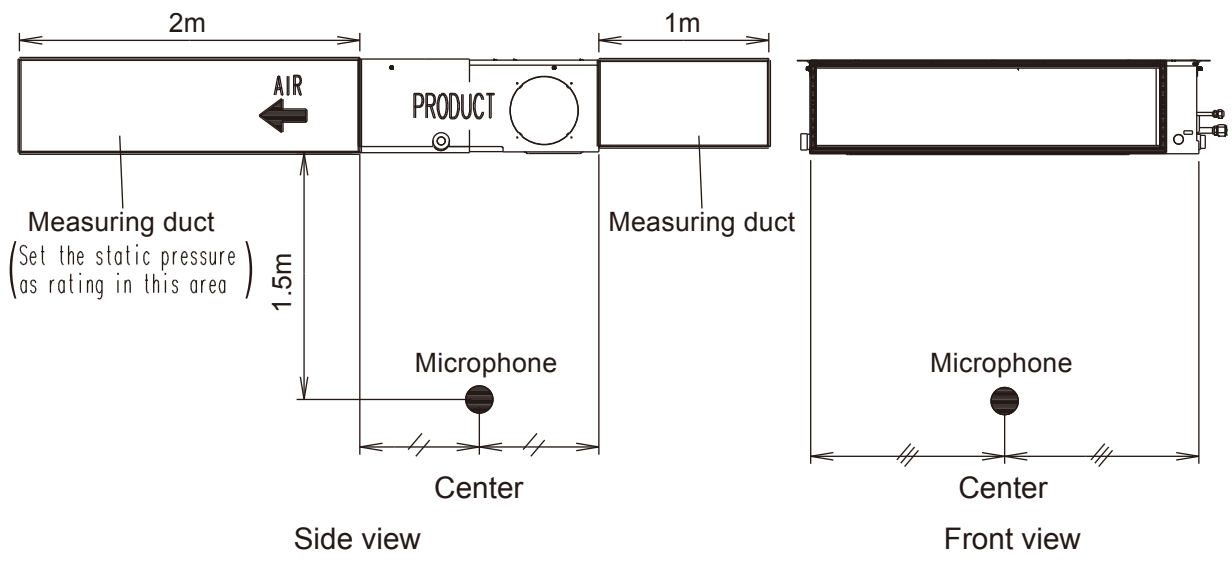


9-6. SOUND LEVEL CHECK POINT

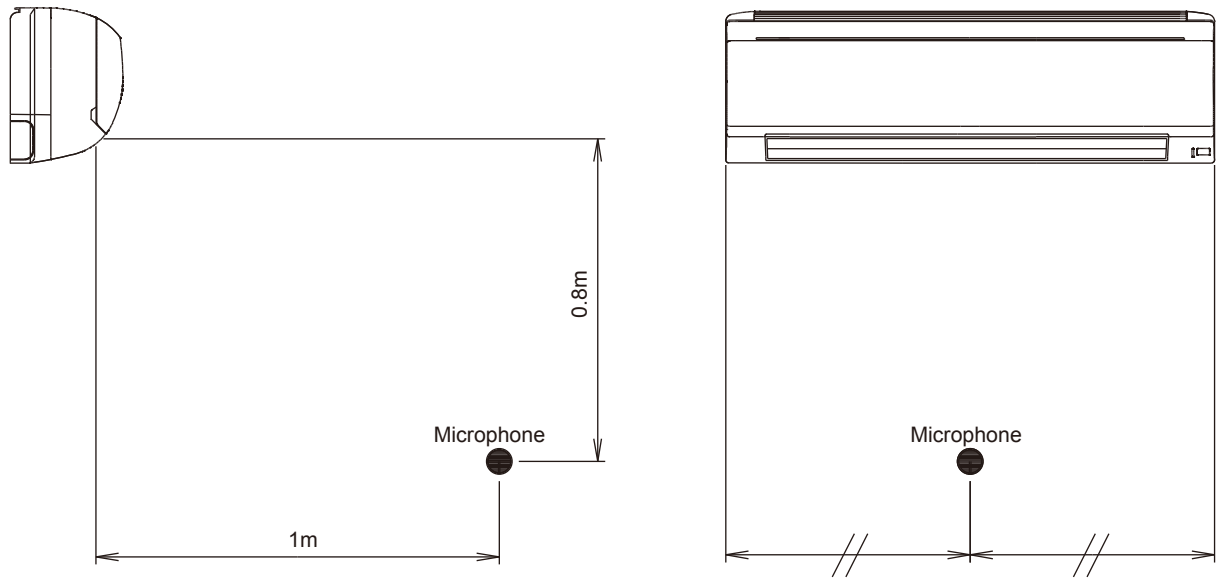
■ COMPACT CASSETTE TYPE



■ SLIM DUCT TYPE

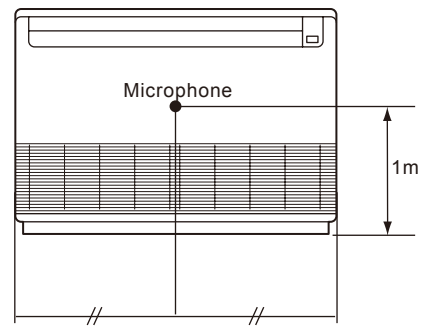
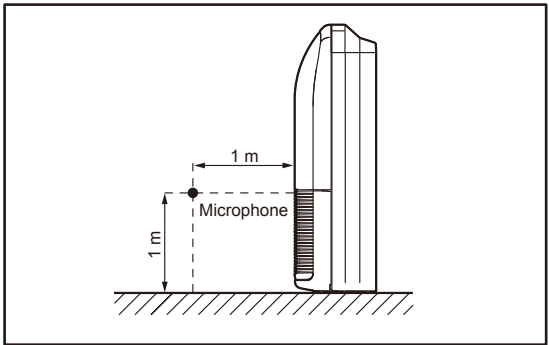


■ WALL MOUNTED TYPE

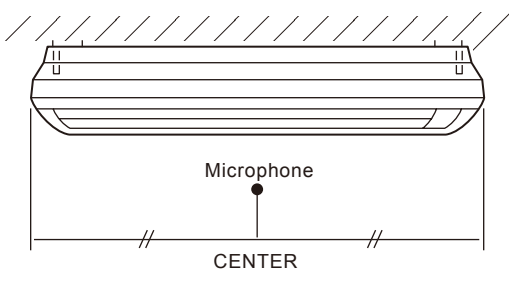
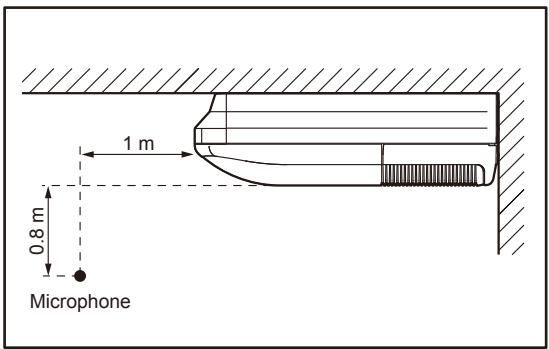


■ FLOOR / CEILING TYPE

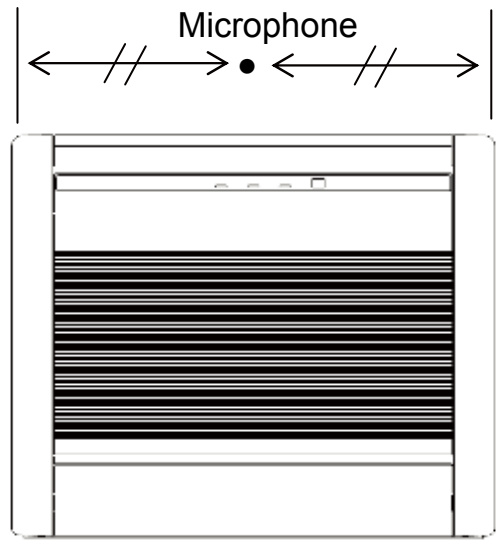
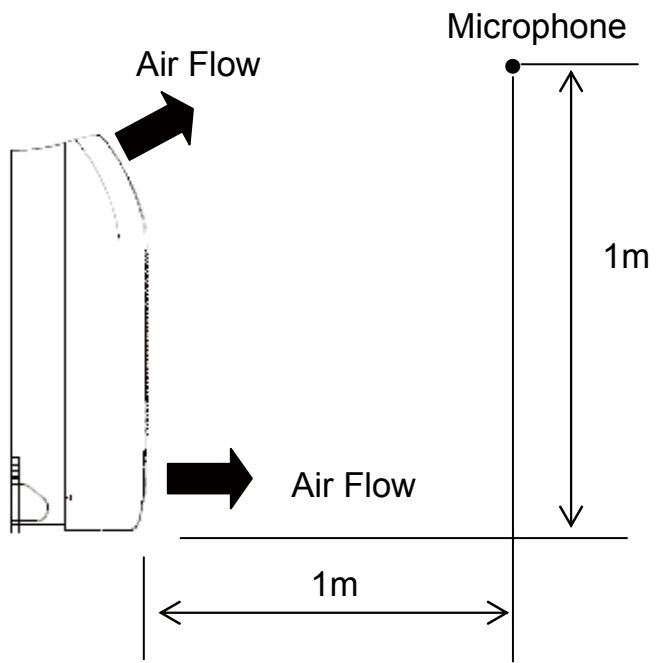
● Floor console



● Under ceiling



■ FLOOR TYPE



10. ELECTRICAL CHARACTERISTICS

Type	Model name	Power Supply			Indoor Rated		
		Hz	Voltage (V)	MCA (A)	Input Power (W)	FLA (A)	
Compact Cassette	AU*G07LVLA	50	230	0.19	18	0.15	
	AU*G09LVLA	50	230	0.19	18	0.15	
	AU*G12LVLA AU*G12LVLB	50	230	0.24	23	0.19	
	AU*G14LVLA AU*G14LVLB	50	230	0.28	28	0.22	
	AU*G18LVLA AU*G18LVLB	50	230	0.38	39	0.30	
Slim Duct	AR*G07LLTA	50	230	0.41	33	0.33	
	AR*G09LLTA	50	230	0.38	49	0.30	
	AR*G12LLTA AR*G12LLTB	50	230	0.44	58	0.35	
	AR*G14LLTA AR*G14LLTB	50	230	0.64	76	0.51	
	AR*G18LLTA AR*G18LLTB	50	230	0.55	73	0.44	
Wall Mounted	LJ	AS*G07LJCA	50	230	0.17	15	0.13
		AS*G09LJCA	50	230	0.19	17	0.15
		AS*G12LJCA	50	230	0.24	22	0.19
	LU	AS*G07LUCA	50	230	0.16	13	0.13
		AS*G09LUCA	50	230	0.18	16	0.14
		AS*G12LUCA	50	230	0.21	19	0.17
		AS*G14LUCA	50	230	0.25	23	0.20
	LM	AS*G07LMCA	50	230	0.16	15	0.13
		AS*G09LMCA	50	230	0.19	17	0.15
		AS*G12LMCA	50	230	0.24	22	0.19
		AS*G14LMCA	50	230	0.31	28	0.25
	LF	AS*G18LFCA	50	230	0.41	37	0.33
		AS*G24LFCA AS*G24LFCC	50	230	0.66	69	0.53
Floor / Ceiling	AB*G14LVTA	50	230	0.26	26	0.21	
	AB*G18LVTA AB*G18LVTB	50	230	0.45	47	0.36	
Floor	AG*G09LVCA	50	230	0.19	16	0.15	
	AG*G12LVCA	50	230	0.23	20	0.18	
	AG*G14LVCA	50	230	0.25	23	0.20	

Wiring Spec. (Indoor unit to outdoor unit)	Connection cable	mm ²	1.5
	Limited wiring length	m	26

MCA : Min Circuit Amps = Max Operating Current (Full Load).

FLA : Full Load Amps (Fan Motor)

11. SAFETY DEVICES

Model and type		PCB fuse	Fan motor thermal protector	Terminal thermal fuse	Float switch	
Compact Cassette	AU*G07LVLA	250V 3.15A	130 +17°C -9°C	—	○	
	AU*G09LVLA					
	AU*G12LVLA AU*G12LVLB					
	AU*G14LVLA AU*G14LVLB					
	AU*G18LVLA AU*G18LVLB					
Slim Duct	AR*G07LLTA	250V 5A	135 ± 15°C	—	○	
	AR*G09LLTA					
	AR*G12LLTA AR*G12LLTB					
	AR*G14LLTA AR*G14LLTB					
	AR*G18LLTA AR*G18LLTB					
Wall Mounted	LJ	AS*G07LJCA	250V 3.15A	120 ± 15°C	102°C OFF	—
		AS*G09LJCA				
		AS*G12LJCA				
	LU	AS*G07LUCA	250V 3.15A	120 ± 15°C	102°C OFF	—
		AS*G09LUCA				
		AS*G12LUCA				
		AS*G14LUCA				
	LM	AS*G07LMCA	250V 3.15A	160 ± 25°C	—	—
		AS*G09LMCA				
		AS*G12LMCA				
		AS*G14LMCA				
	LF	AS*G18LFCA	250V 3.15A	150 ± 15°C	102°C OFF	—
		AS*G24LFCA AS*G24LFCC				
Floor / Ceiling	AB*G14LVTA	250V 3.15A	135 ± 15°C	—	—	
	AB*G18LVTA AB*G18LVTB					
Floor	AG*G09LVCA	250V 3.15A	150 ± 15°C	102°C OFF	—	
	AG*G12LVCA					
	AG*G14LVCA					

12. EXTERNAL INPUT & OUTPUT

Indoor unit type	EXTERNAL INPUT	EXTERNAL OUTPUT			
	Control input	Operation status output	Fresh air control output	Auxiliary heater output	Error status output
Compact Cassette	●	●	●	-	-
Slim Duct	●	●	●	●	-
Wall Mounted	●	●	-	-	● (LU / LM types)
Floor / Ceiling	●	●	-	-	-
Floor	●	●	-	-	-

12-1. EXTERNAL INPUT

■ CONTROL INPUT (Operation/Stop or Forced stop)

	Compact Cassette	Slim Duct	Wall Mounted			Floor / Ceiling	Floor
			LJ	LU / LM	LF		
Connector	CN102	CN102	CN303	CNA01	CN14	CN102	CN14

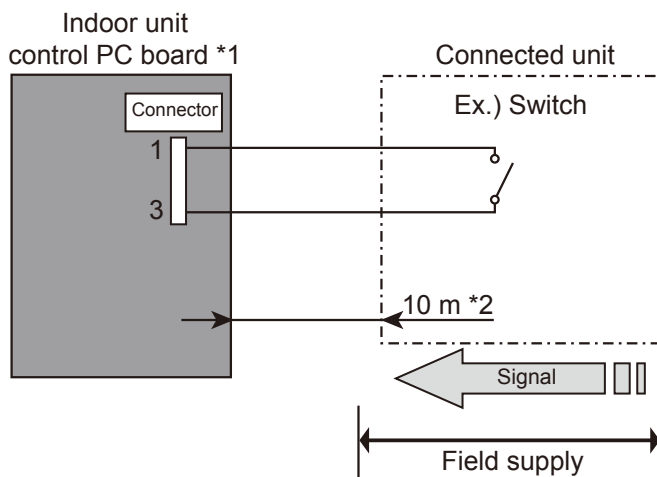
The air conditioner can be remotely operated by means of the following on-site work.

"Operation/Stop" mode or "Forced stop" mode can be selected with function setting of indoor unit.

Unit operation is started at the following contents by adding the contact input of a commercial ON/OFF switch to a connector on the external control PC board and turning it ON.

Unit operation	Initial setting after power is ON	Starting mode other than initial setting
Operation mode	Auto changeover	Mode at previous operation
Set temperature	24°C	Temperature at previous operation
Airflow mode	AUTO	Mode at previous operation
Air direction (swing)	Standard air direction (swing OFF)	Air direction at previous operation

● Circuit diagram example



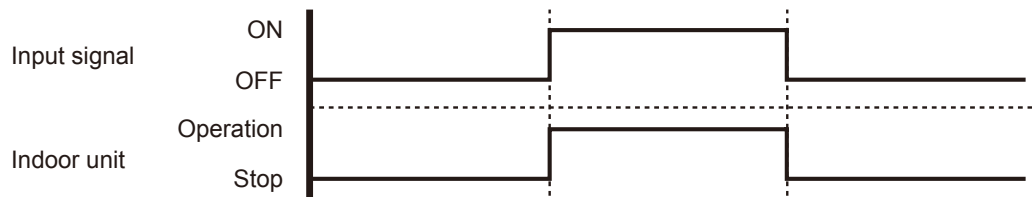
*1 PC board of Communication kit is used for Wall mounted type (LJ, LU, LM).

*2 Make the distance from the PC board to the connected unit within 10m.

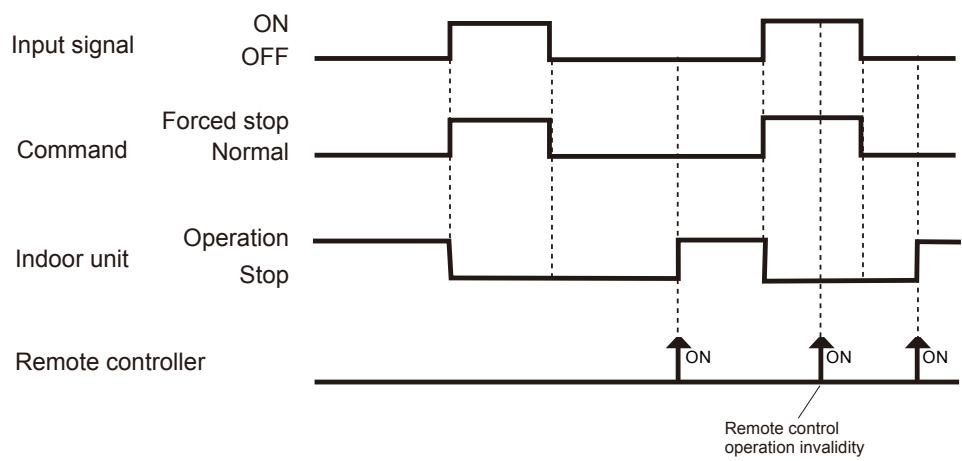
Contact capacity: DC 24 V or more, 10 mA or more.

Indoor unit type		1 Pin (Polarity)	3 Pin (Polarity)
Compact Cassette		-	+
Slim Duct		-	+
Wall Mounted	LJ	+	-
	LU	-	+
	LM	-	+
	LF	-	+
Floor / Ceiling		-	+
Floor		-	+

● When function setting is in "Operation/Stop" mode



● When function setting is in "Forced stop" mode



● Parts (Optional)

	Compact Cassette	Slim Duct	Wall Mounted			Floor / Ceiling	Floor
			LJ	LU / LM	LF		
Parts name	External connect kit						
Model name	UTY-XWZX	UTD-ECS5A	UTY-XWZX	UTY-XWZXZ5	UTY-XWZX		



(UTY-XWZX)



(UTD-ECS5A)



(UTY-XWZXZ5)

	Compact Cassette	Slim Duct	Wall Mounted				Floor / Ceiling	Floor
			LJ	LU	LM	LF		
Parts name	-	-	Communication kit				-	-
Model name	-	-	UTY-XCBXZ1	UTY-TWBXF	UTY-XCBXZ2	-	-	-

*For operating the EXTERNAL INPUT function, the Wall mounted type (LJ, LU, LM) requires the communication kit (UTY-XCBXZ1, UTY-TWBXF, UTY-XCBXZ2) in addition to the wire (UTY-XWZX, UTY-XWZXZ5).

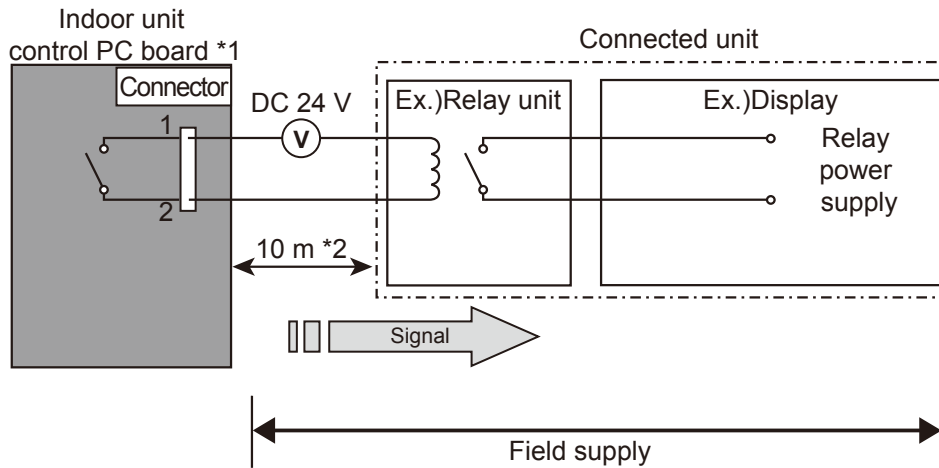
12-2. EXTERNAL OUTPUT

■ OPERATION STATUS OUTPUT

	Compact Cassette	Slim Duct	Wall Mounted			Floor / Ceiling	Floor
			LJ	LU / LM	LF		
Connector	CN103	CN103	CN304	CNB01	CN16	CN103	CN20

An air conditioner operation status signal can be output.

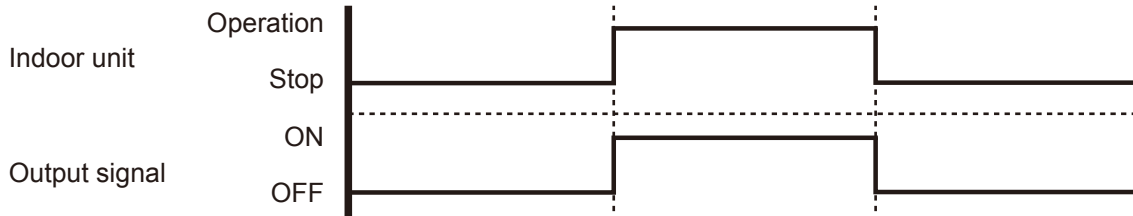
● Circuit diagram example



*1 PC board of Communication kit is used for Wall mounted type.

*2 Make the distance from the PC board to the connected unit within 10 m.

Relay spec.: Max. DC 24 V, 10 mA to less than 500 mA.



● Parts (Optional)

	Compact Cassette	Slim Duct	Wall Mounted			Floor / Ceiling	Floor
			LJ	LU / LM	LF		
Parts name	External connect kit						
Model name	UTY-XWZX	UTD-ECS5A	UTY-XWZX	UTY-XWZXZ5	UTY-XWZX		



	Compact Cassette	Slim Duct	Wall Mounted				Floor / Ceiling	Floor
			LJ	LU	LM	LF		
Parts name	-	-	Communication kit				-	-
Model name	-	-	UTY-XCBXZ1	UTY-TWBXF	UTY-XCBXZ2	-	-	-

*For operating the EXTERNAL OUTPUT function, the Wall mounted type (LJ, LU, LM) requires the communication kit (UTY-XCBXZ1, UTY-TWBXF, UTY-XCBXZ2) in addition to the wire (UTY-XWZX, UTY-XWZXZ5).

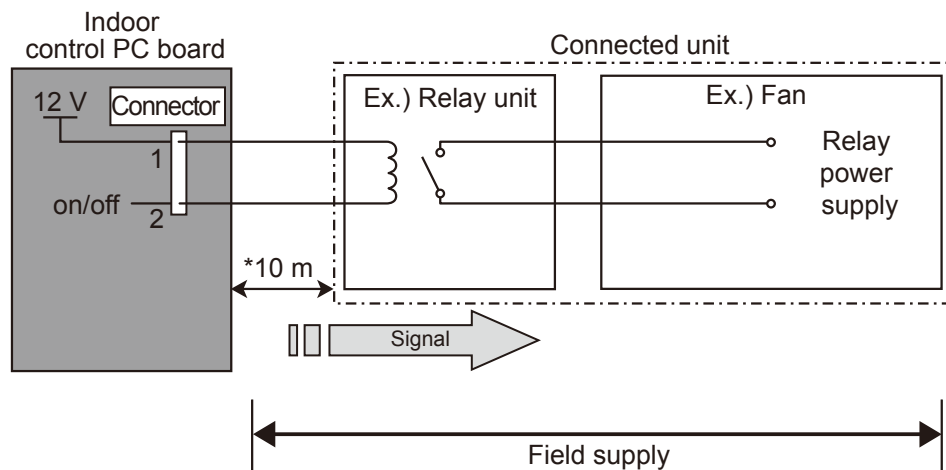
■ FRESH AIR CONTROL OUTPUT

	Compact Cassette	Slim Duct	Wall Mounted	Floor / Ceiling	Floor
Connector	CN6	CN6	-	-	-

A signal linked to air conditioner indoor fan ON can be output.

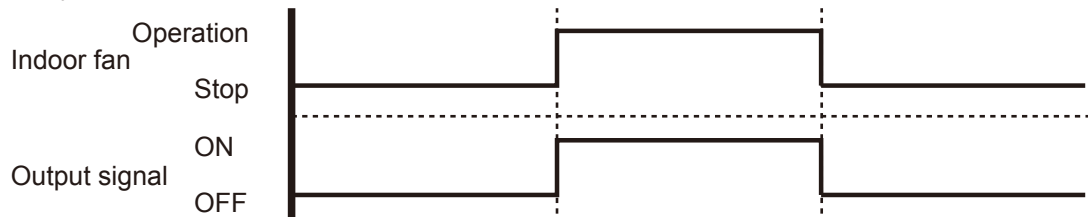
* However, signal becomes OFF during cold air prevention control operation.

● Circuit diagram example



* Make the distance from the PC board to the connected unit within 10 m.

Relay spec.: Rated DC 12 V, 50 mA to less.



● Parts (Optional)

	Compact Cassette	Slim Duct	Wall Mounted	Floor / Ceiling	Floor
Parts name	Fresh air intake kit	External control set	-	-	-
Model name	UTZ-VXAA *1	UTD-ECS5A	-	-	-



Note: This wire is included in Fresh air intake kit (UTZ-VXAA).

AUXILIARY HEATER OUTPUT

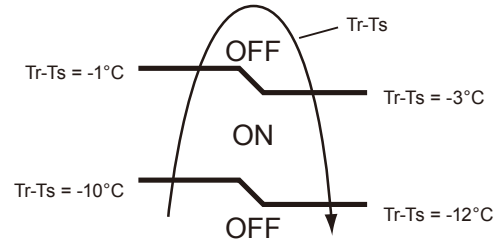
	Compact Cassette	Slim Duct	Wall Mounted	Floor / Ceiling	Floor
Connector	-	CN10	-	-	-

A signal is outputted from Connector when indoor fan and compressor turn on under heating operation.

*Signal output performance specifications are as shown on the right

Ex. When Set Temperature(T_s) is 22°C;

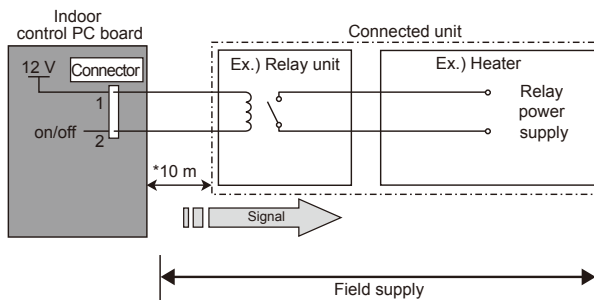
- and Room Temperature(T_r) increase above 12°C, signal output is on.
- and Room Temperature(T_r) increase above 21°C, signal output is off.
- and Room Temperature(T_r) decrease below 19°C, signal output is on.
- and Room Temperature(T_r) decrease below 10°C, signal output is off.



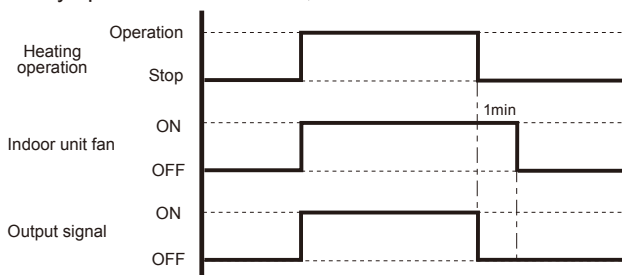
Fan delay setting (JM3)

This is used to continue indoor unit fan operation for 1 minute after thermo OFF in heating mode. 1 minute delay control set by cutting jumper wire on PC board.

Circuit diagram example



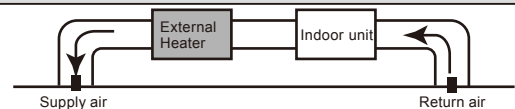
* Make the distance from the PC board to the connected unit within 10 m.
Relay spec.: Rated DC 12 V, 50 mA to less.



CAUTION

Please place an external heater between the indoor unit and the outlet.

Please be sure to use delay control of the fan.



Parts (Optional)

	Compact Cassette	Slim Duct	Wall Mounted	Floor / Ceiling	Floor
Parts name	-	External control set	-	-	-
Model name	-	UTD-ECS5A	-	-	-

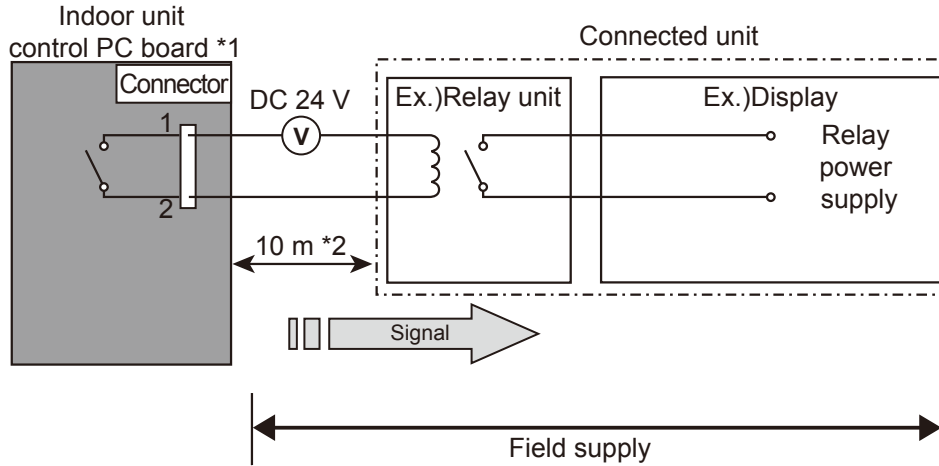


■ ERROR STATUS OUTPUT

	Compact Cassette	Slim Duct	Wall Mounted			Floor / Ceiling	Floor
			LJ	LU / LM	LF		
Connector	-	-	-	CNB02	-	-	-

An air conditioner error status signal can be output.

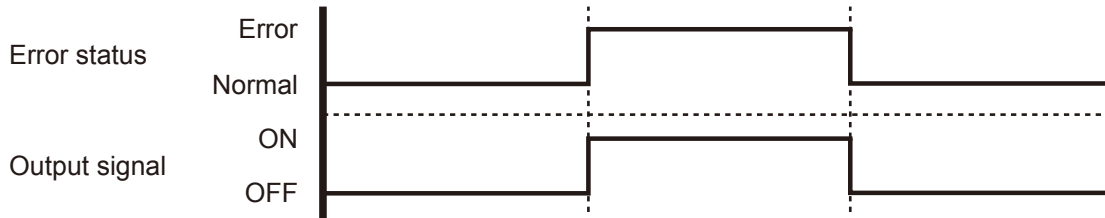
● Circuit diagram example



*1 PC board of Communication kit is used for Wall mounted type.

*2 Make the distance from the PC board to the connected unit within 10 m.

Relay spec.: Max. DC 24 V, 10 mA to less than 500 mA.



● Parts (Optional)

	Compact Cassette	Slim Duct	Wall Mounted			Floor / Ceiling	Floor
			LJ	LU / LM	LF		
Parts name	-	-	-	External connect kit	-	-	-
Model name	-	-	-	UTY-XWZXZ5	-	-	-



	Compact Cassette	Slim Duct	Wall Mounted			Floor / Ceiling	Floor
			LJ	LU / LM	LF		
Parts name	-	-	-	Communication kit	-	-	-
Model name	-	-	-	UTY-TWBXF	-	-	-

*For operating the EXTERNAL OUTPUT function, the Wall mounted type (LU, LM) requires the communication kit (UTY-TWBXF, UTY-XCBXZ2) in addition to the wire (UTY-XWZXZ5).

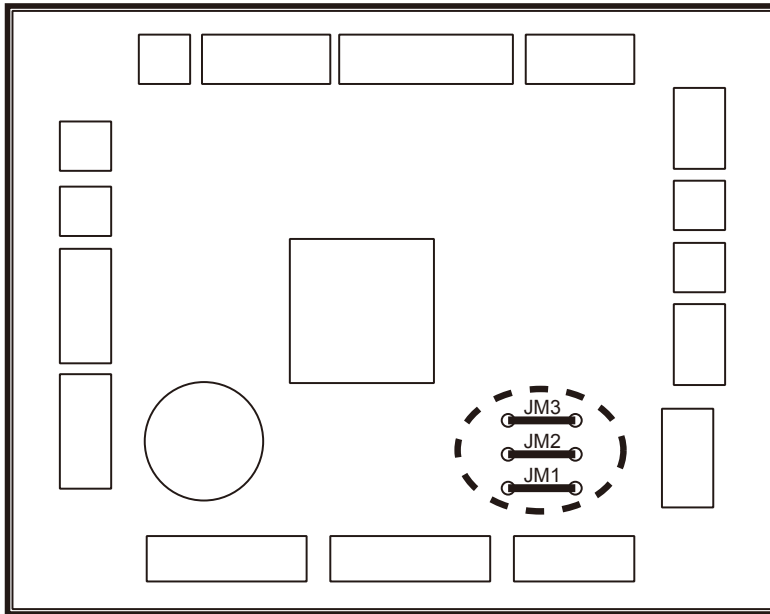
13. FUNCTION SETTINGS

13-1. INDOOR UNIT (setting by jumper wire)

Note: This function is Slim Duct type only.

■ SWITCH POSITION

● Slim Duct type



■ JUMPER WIRE SETTING

● Drainage function setting (JM1)

(◆...Factory setting)

JM1	Drainage function
◆ Connect	Enable
Disconnect	Disable

● Auto louver grille setting (JM2)

When Auto louver grille kit (optional parts) is attached, set the Auto louver grille setting to "Enable".

(◆...Factory setting)

JM2	Auto louver grille setting
◆ Connect	Disable
Disconnect	Enable

● Fan delay setting (JM3)

(◆...Factory setting)

JM3	Fan delay
◆ Connect	Disable
Disconnect	Enable

13-2. INDOOR UNIT (setting by wireless remote controller)

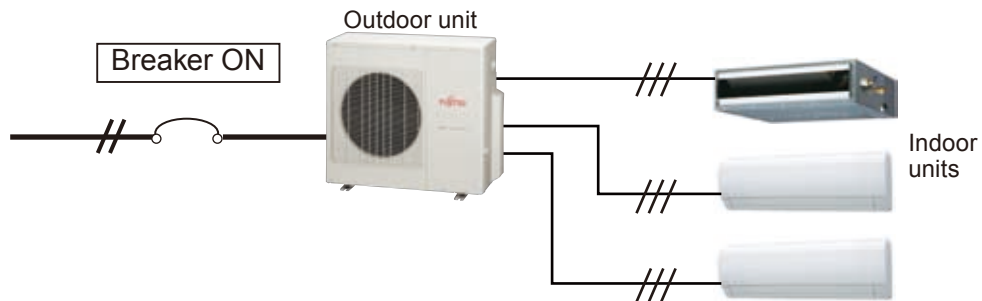
- The function settings of the control of the indoor unit can be changed by this procedure according to the installation conditions. Incorrect settings can cause the indoor unit to malfunction.
- After the power is turned on, perform the "FUNCTION SETTING" according to the installation conditions using the remote controller.
- The settings may be selected between the following two: Function Number or Setting Number.
- Settings will not be changed if disable numbers or setting numbers are selected.

■ PREPARATION

(1) Turn on the power of the Outdoor unit.

* Before turning on the power of the indoor units, make sure the piping air-tight test and vacuuming have been conducted.

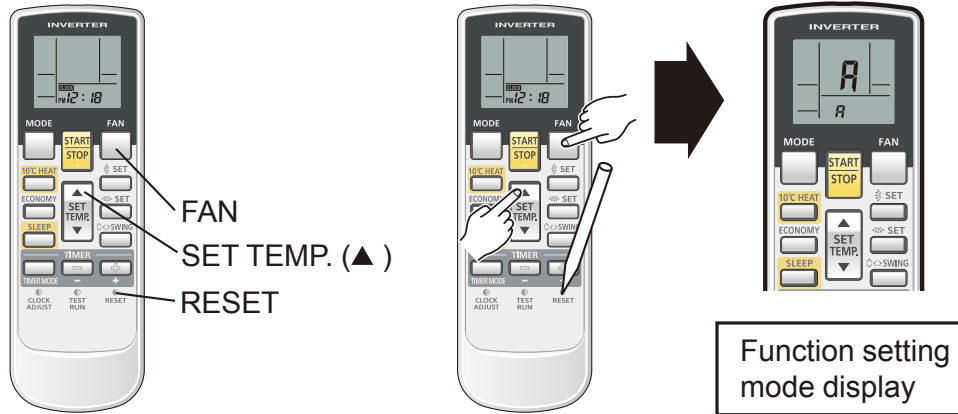
* Also check again to make sure no wiring mistakes were made before turning on the power.



13-2-1. AR-RAH2E / AR-RAH1E

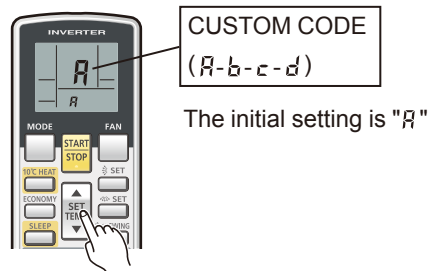
■ SWITCHING SELECTION OF FUNCTION SETTING MODE

(2) Press and hold the "FAN" and the " SET TEMP. ▲ " buttons. While holding these 2 buttons, press the "RESET" button.

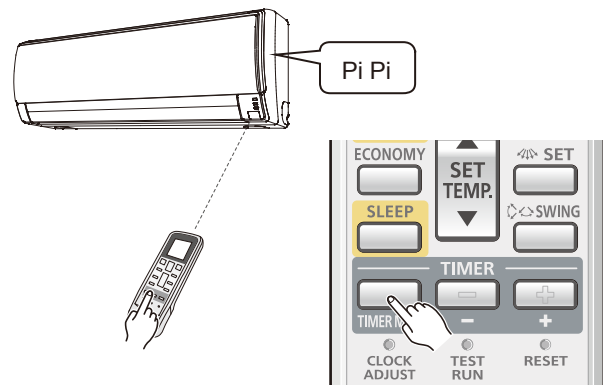


■ SELECTION AND CONFIRMATION OF CUSTOM CODE

(3) Press the " SET TEMP. ▲ " or " SET TEMP. ▼ " buttons to select the custom code that matches the setting with the indoor unit. By selecting the appropriate custom code, the communication between the indoor unit and the wireless RC become possible.

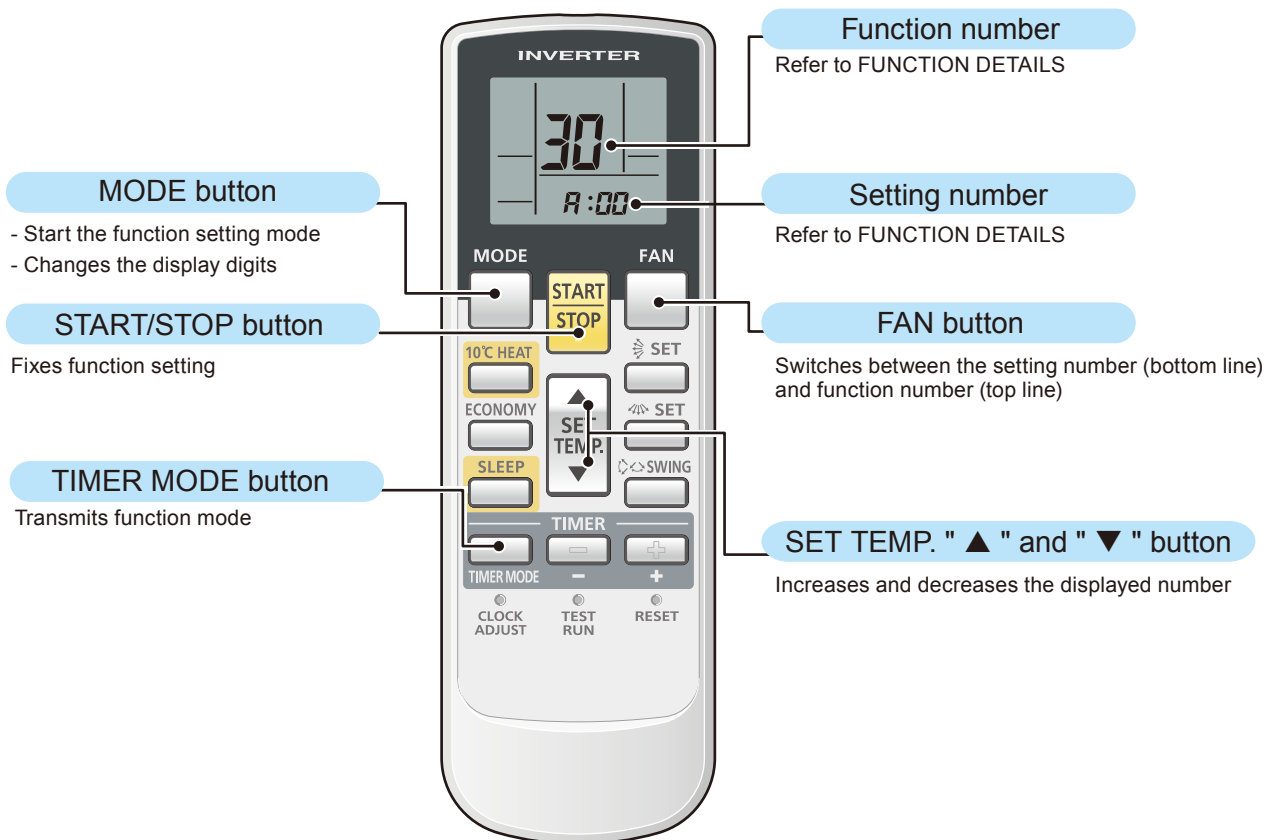


(4) Press the "TIMER MODE" button to send the code to the indoor unit.



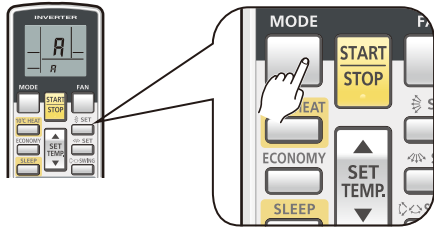
■ BUTTON NAME AND FUNCTION

- During address setting mode, indoor unit rejects any operation command from remote controller.

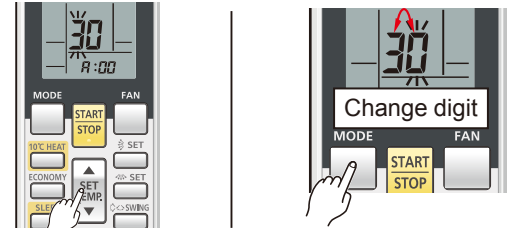


FUNCTION SETTING

(5) Press the "MODE" button to access the function setting mode.



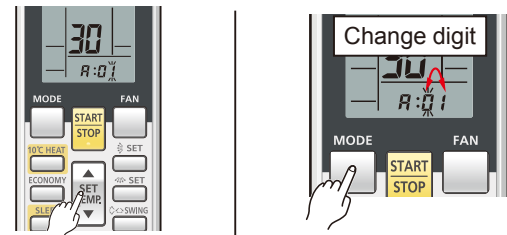
(6) Press the "▲" or the "▼" buttons to select the function number.



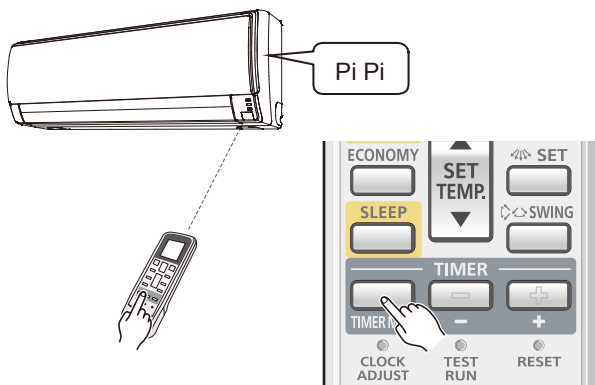
(7) Press the "FAN" button to proceed to setting the number. (Press the "FAN" button again to return to the function number selection.)



(8) Press the "▲" or the "▼" buttons to select the setting number.



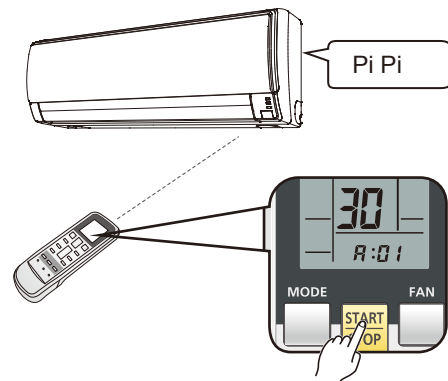
(9) Press the "TIME MODE" button once to send the function mode information.



(10) Press the "START/STOP" button once to fix the function setting.

A beeping noise will be heard if the command is accepted.

*Wrong code: No Response



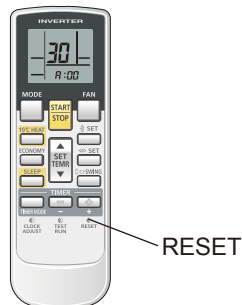
Note: Please push the "START/STOP" button within 30 seconds after pushing the "TIME MODE" button.

FUNCTION DETAILS

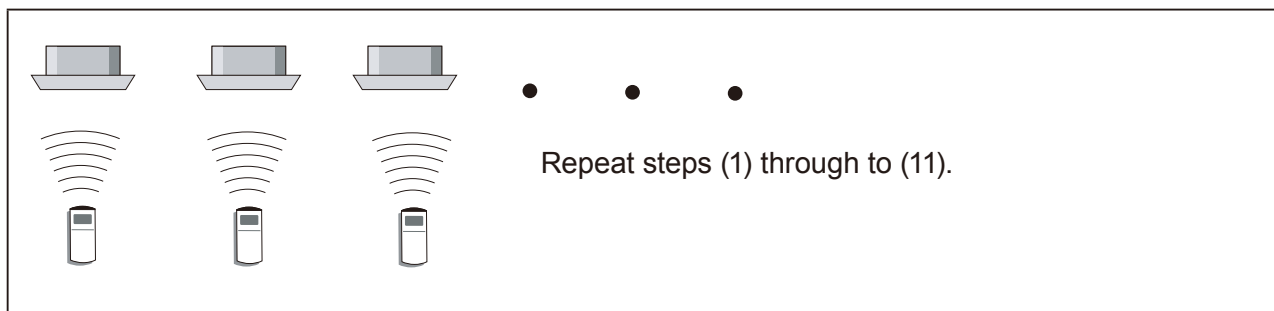
Refer to 13-5. FUNCTION DETAILS

■ COMPLETION OF FUNCTION SETTING MODE

(11) Press the "RESET" button.



■ SETTING UP EACH INDOOR UNIT



■ RESET THE POWER AFTER SETTING UP FUNCTION OF ALL INDOOR UNITS

Important

- If the reset is not performed, function cannot be read in normally.
- After all the functions have been set, the circuit breaker needs to be switched off for at least 2 minutes.
After the 2 minutes has passed, power can be restored.
- The set function is stored in the PCB and will remain in memory even when the power is turned off.
However setting function is effective after power reset.
Record the function set in the indoor unit on a label, etc., and affix the label to the unit so it can be used for after-sales service operations.

* Once the "RESET" button is pressed on the remote controller, the OPERATION MODE will be set in the "AUTO MODE".

Please adjust the OPERATION MODE to either "COOLING" or "HEATING" before trying to operate the air conditioner.

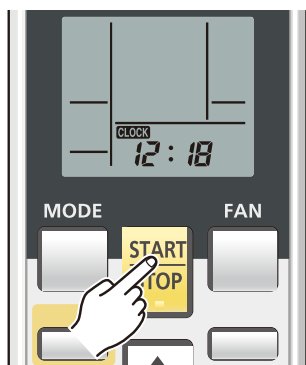
* **NOTE:** If CUSTOM CODE is set to anything other than "A", the remote control must be set accordingly to the INDOOR UNIT setting.

■ REMOTE CONTROLLER CUSTOM CODE SETTING

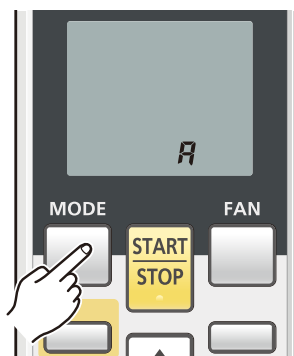
According to the following instructions, please set the custom code setting of the Wireless remote controller to match any changes in the custom code setting of the indoor unit.

(Note that the air conditioner cannot receive a signal if the air conditioner has not been set for the matching custom code.)

1. Press the START/STOP button until only the clock is displayed on the remote controller display.



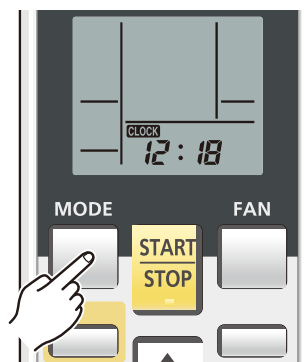
2. Press the MODE button for at least five seconds to display the current custom code (initially set to "A").



3. Press the SET TEMP. "▲" or the "▼" button to change the custom code between "A"→"b"→"c"→"d".



4. Press the "MODE" button again to return to the clock indicator. The custom code will be changed.



- If no buttons are pressed within 30 seconds after the custom code is displayed, the system returns to the original clock indicator. In this case, start again from step 1.
- The air conditioner custom code is set to "A" prior to shipment.
- The remote controller resets to custom code A when the batteries in the remote controller are replaced. If you use a custom code other than custom code "A", reset the custom code after replacing the batteries. If you do not know the air conditioner custom code setting, try each of the custom codes ("A"→"b"→"c"→"d") until you find the code which operates the air conditioner.

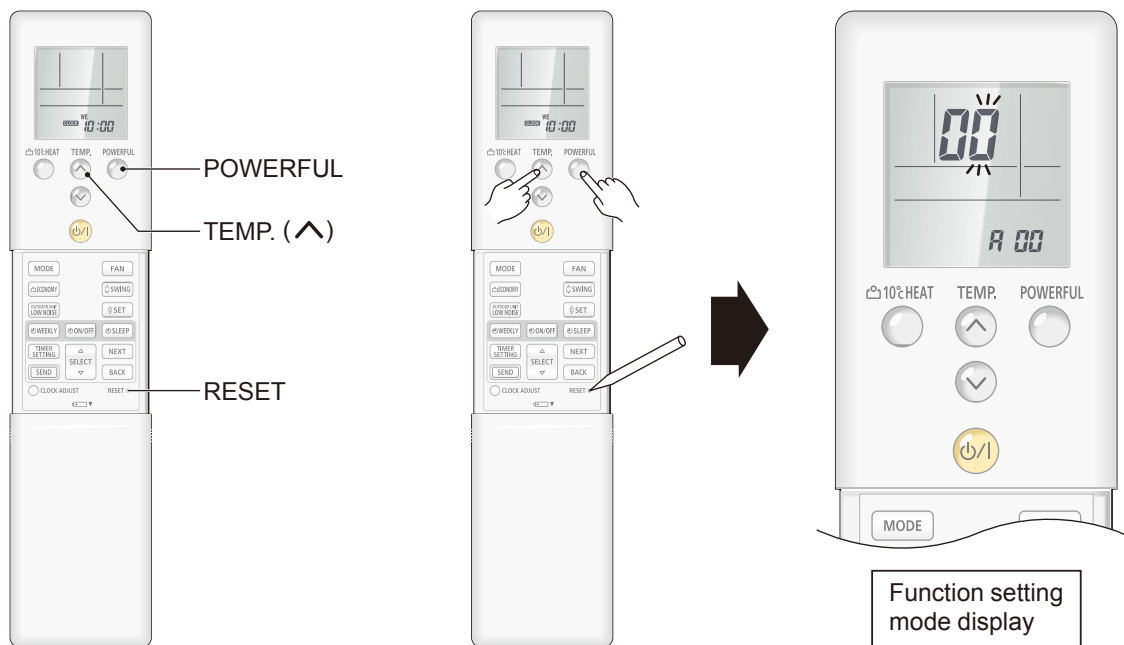
13-2-2. AR-REA2E

■ CONFIRMATION OF CUSTOM CODE

- (2) Prior to entering the function setting mode, adjust the custom code of the remote controller to match the custom code of the indoor unit as specified in Remote Controller Custom Code Setting

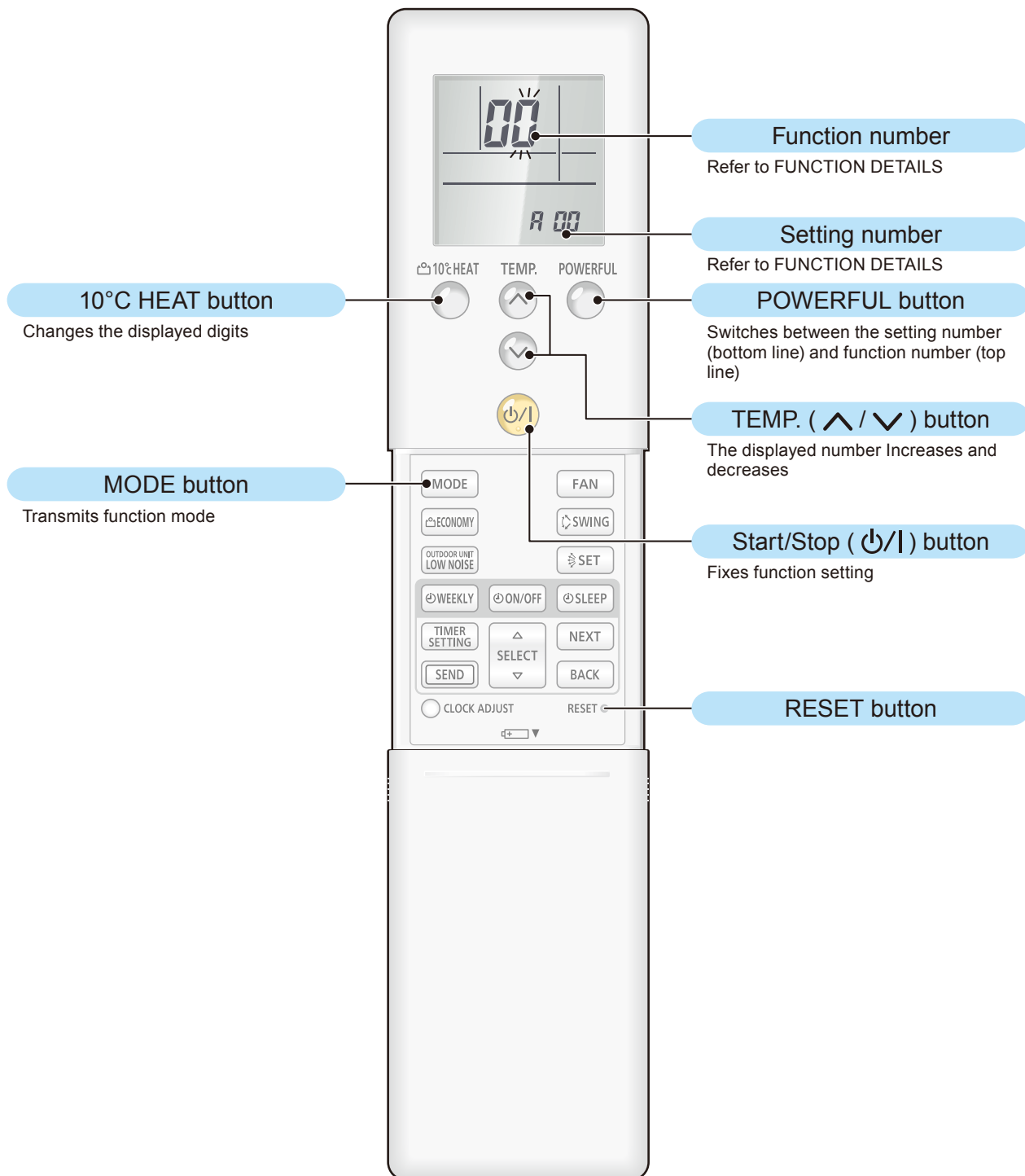
■ SWITCHING SELECTION OF FUNCTION SETTING MODE

- (3) Press and hold the "POWERFUL" and "TEMP. ^" buttons. While holding these 2 buttons, press the "RESET" button.



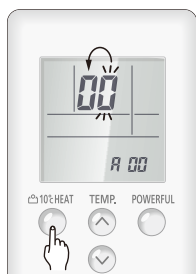
■ BUTTON NAME AND FUNCTION

- During the function setting mode, indoor unit will reject any operation command from remote controller.

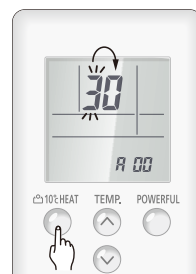
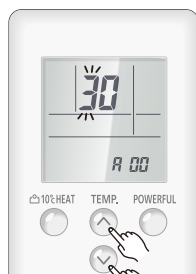


FUNCTION SETTING

- (4) Press the "TEMP. ^" or "TEMP. v" buttons to select the function number.
Press the "10°C HEAT" button to switch between left and right digits.



Change digit

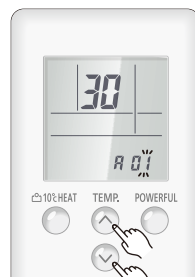


Change digit

- (5) Press the "POWERFUL" button to proceed to the setting number.
(Press the "POWERFUL" button again to return to the function number selection.)

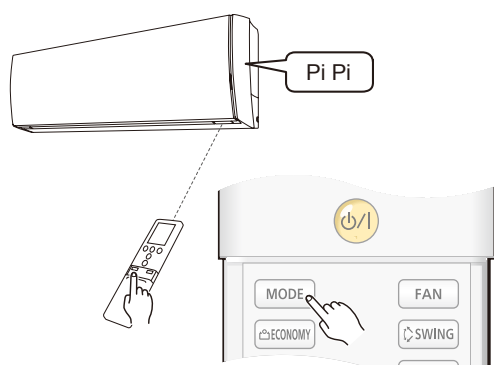


- (6) Press the "TEMP. ^" or the "TEMP. v" buttons to select the setting number.
Press the "10°C HEAT" button to switch between left and right digits.



Change digit

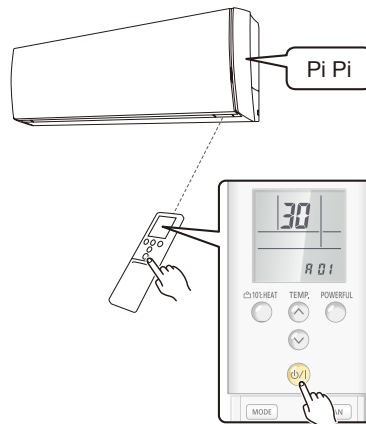
- (7) Press the "MODE" button once to send the function mode information.



- (8) Press the "ϕ/I" button once to fix the function setting.

A beeping noise will be heard if the command is accepted.

*Wrong code: No Response



Note: Please push the "ϕ/I" button within 30 seconds after pushing the "MODE" button.

FUNCTION DETAILS

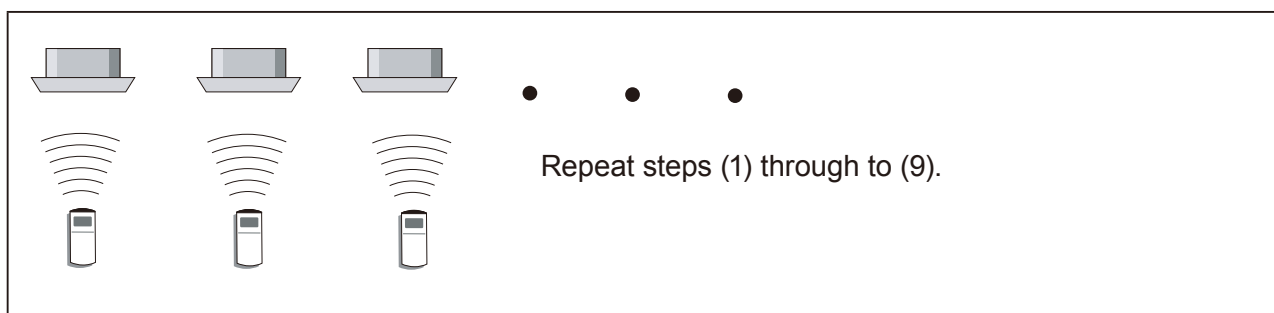
Refer to 13-5. FUNCTION DETAILS

■ COMPLETION OF FUNCTION SETTING MODE

(9) Press the "RESET" button.



■ SETTING UP EACH INDOOR UNIT



■ RESET THE POWER AFTER SETTING UP FUNCTION OF ALL INDOOR UNITS

Important

- If the reset is not performed, function settings cannot be read in normally.
- After all the functions have been set, the circuit breaker needs to be switched off for at least 2 minutes.
After the 2 minutes has passed, power can be restored.
- The set function is stored in the PCB and will remain in memory even when the power is turned off.
However the settings are only effective after the power is reset.
Record the function settings of the indoor unit on a label, etc., and affix the label to the unit so it can be used for after-sales service operations.

* Once the "RESET" button is pressed on the remote controller, the OPERATION MODE will be set in the "AUTO MODE".

Please adjust the OPERATION MODE to either "COOLING" or "HEATING" before trying to operate the air conditioner.

* **NOTE:** If CUSTOM CODE is set to anything other than "A", the remote control must be set accordingly to the INDOOR UNIT setting.

■ REMOTE CONTROLLER CUSTOM CODE SETTING

According to the following instructions, please set the custom code setting of the Wireless remote controller to match any changes in the custom code setting of the indoor unit.

(Note that the air conditioner cannot receive a signal if the air conditioner has not been set for the matching custom code.)

1. Press the Start/Stop "⏻/⏮" button until only the clock is displayed on the remote controller display.



2. Press the "MODE" button for at least 5 seconds to display the current custom code (initially set to "A").



3. Press the "TEMP. ^" or the "TEMP. v" button to change the custom code between "A"→"b"→"c"→"d".



4. Press the "MODE" button again to return to the clock display. The custom code will be changed.

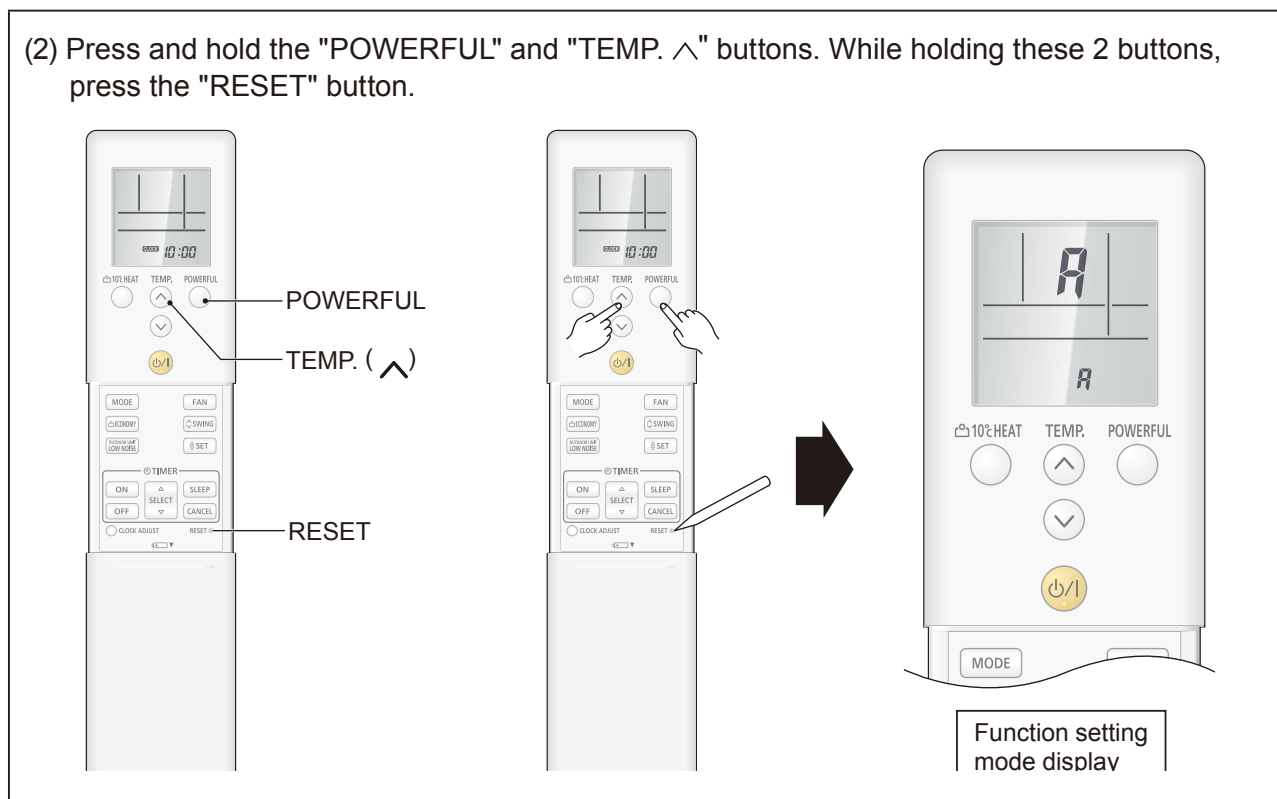


- If no buttons are pressed within 30 seconds after the custom code is displayed, the system returns to the original clock indicator. In this case, start again from step 1.
- The air conditioner custom code is set to "A" prior to shipment.
- The remote controller resets to custom code "A" when the batteries in the remote controller are replaced. If you do not know the air conditioner custom code setting, try each of the custom codes ("A"→"b"→"c"→"d") until you find the code which operates the air conditioner.

13-2-3. AR-REB1E

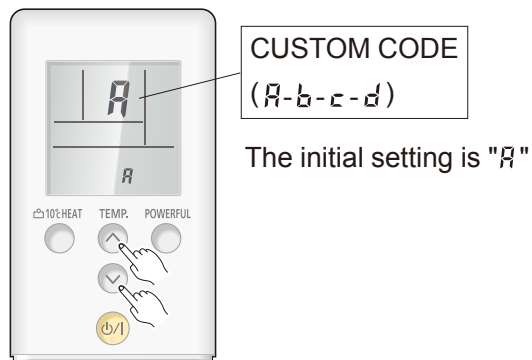
■ SWITCHING SELECTION OF FUNCTION SETTING MODE

(2) Press and hold the "POWERFUL" and "TEMP. ^" buttons. While holding these 2 buttons, press the "RESET" button.

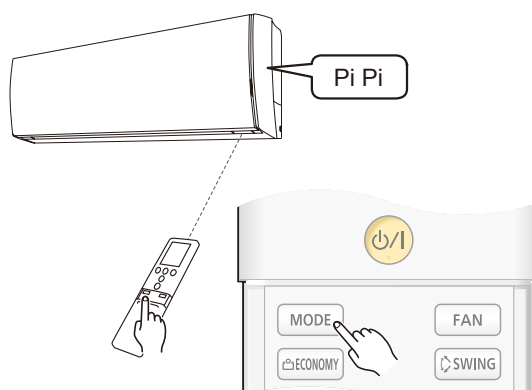


■ CONFIRMATION OF CUSTOM CODE

(3) Press the "TEMP. ^" or "TEMP. v" buttons to select the custom code that matches the setting with the indoor unit. By selecting the appropriate custom code, the communication between the indoor unit and the wireless RC becomes possible.

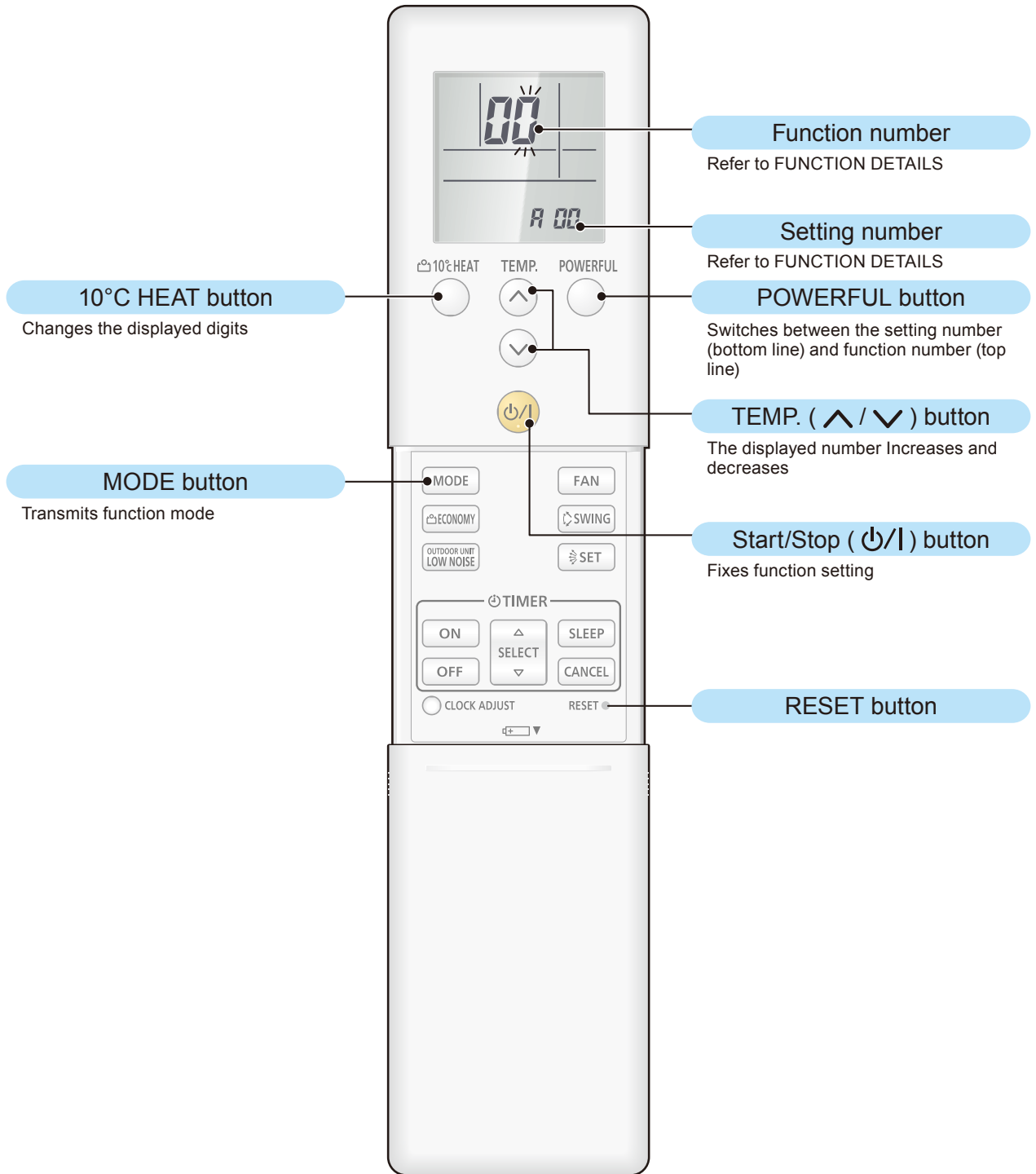


(4) Press the "MODE" button to send the code to the indoor unit.



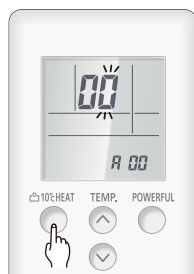
■ BUTTON NAME AND FUNCTION

- During the function setting mode, indoor unit will reject any operation command from remote controller.

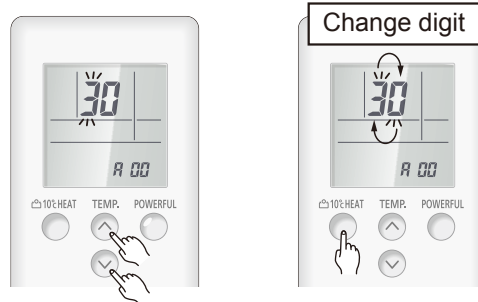


FUNCTION SETTING

(5) Press the "10°C HEAT" button to access the function setting mode.



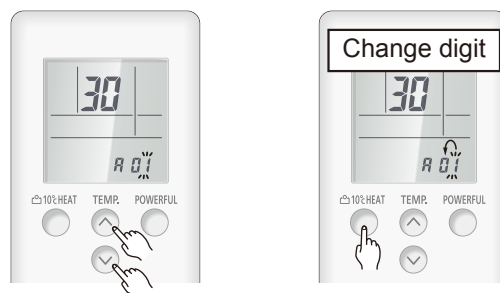
(6) Press the "TEMP. ^" or "TEMP. v" buttons to select the function number. Press the "10°C HEAT" button to switch between left and right digits.



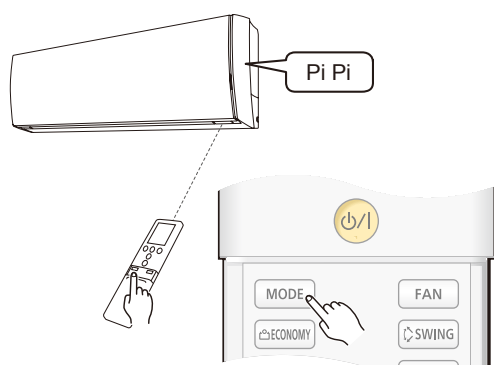
(7) Press the "POWERFUL" button to proceed to the setting number. (Press the "POWERFUL" button again to return to the function number selection.)



(8) Press the "TEMP. ^" or the "TEMP. v" buttons to select the setting number. Press the "10°C HEAT" button to switch between left and right digits.



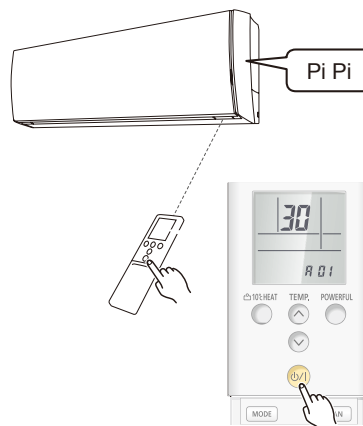
(9) Press the "MODE" button once to send the function mode information.



(10) Press the "ϕ / I" button once to fix the function setting.

A beeping noise will be heard if the command is accepted.

*Wrong code: No Response



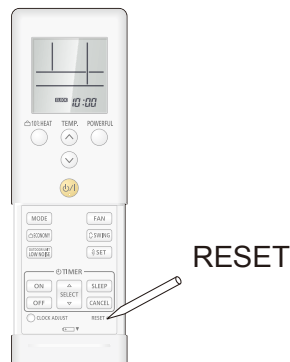
Note: Please push the "ϕ / I" button within 30 seconds after pushing the "MODE" button.

FUNCTION DETAILS

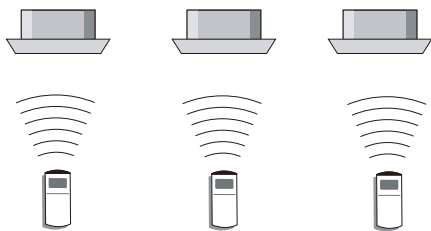
Refer to 13-5. FUNCTION DETAILS

■ COMPLETION OF FUNCTION SETTING MODE

(11) Press the "RESET" button.



■ SETTING UP EACH INDOOR UNIT



Repeat steps (1) through to (11).

■ RESET THE POWER AFTER SETTING UP FUNCTION OF ALL INDOOR UNITS

Important

- If the reset is not performed, function settings cannot be read in normally.
- After all the functions have been set, the circuit breaker needs to be switched off for at least 2 minutes.
After the 2 minutes has passed, power can be restored.
- The set function is stored in the PCB and will remain in memory even when the power is turned off.
However the settings are only effective after the power is reset.
Record the function settings of the indoor unit on a label, etc., and affix the label to the unit so it can be used for after-sales service operations.

* Once the "RESET" button is pressed on the remote controller, the OPERATION MODE will be set in the "AUTO MODE".


Please adjust the OPERATION MODE to either "COOLING" or "HEATING" before trying to operate the air conditioner.

* **NOTE:** If CUSTOM CODE is set to anything other than "A", the remote control must be set accordingly to the INDOOR UNIT setting.

■ REMOTE CONTROLLER CUSTOM CODE SETTING

According to the following instructions, please set the custom code setting of the Wireless remote controller to match any changes in the custom code setting of the indoor unit.



(Note that the air conditioner cannot receive a signal if the air conditioner has not been set for the matching custom code.)

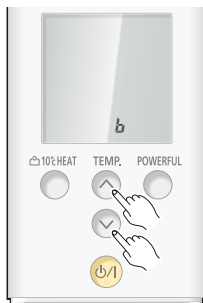
1. Press the Start/Stop “/I” button until only the clock is displayed on the remote controller display.



2. Press the "MODE" button for at least 5 seconds to display the current custom code (initially set to "A").



3. Press the “TEMP. ” or the “TEMP. ” button to change the custom code between "A"→"b"→"c"→"d".



4. Press the "MODE" button again to return to the clock display. The custom code will be changed.



- If no buttons are pressed within 30 seconds after the custom code is displayed, the system returns to the original clock display. In this case, start again from step 1.
- The air conditioner custom code is set to "A" prior to shipment.
- The remote controller resets to custom code "A" when the batteries in the remote controller are replaced. If you use a custom code other than custom code "A", reset the custom code after replacing the batteries. If you do not know the air conditioner custom code setting, try each of the custom codes ("A"→"b"→"c"→"d") until you find the code which operates the air conditioner.

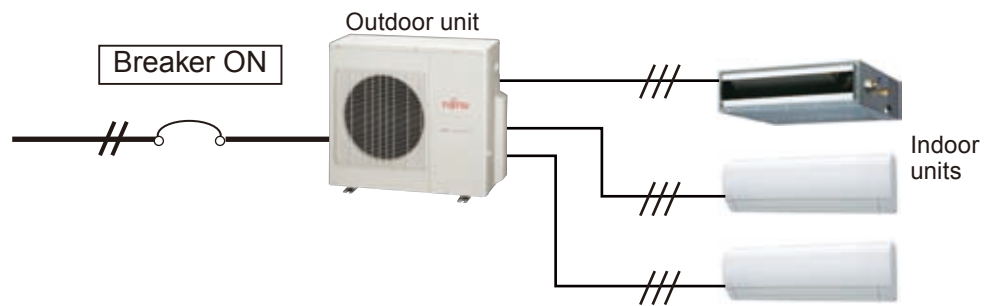
13-3. INDOOR UNIT (setting by wired remote controller)

- The function settings of the control of the indoor unit can be changed by this procedure according to the installation conditions. Incorrect settings can cause the indoor unit malfunction.
- After the power is turned on, perform the "FUNCTION SETTING" according to the installation conditions using the remote controller.
- The settings may be selected between the following two: Function Number or Setting Number.
- Settings will not be changed if disable numbers or setting numbers are selected.
- This function cannot be used on secondary units.

■ PREPARATION

(1) Turn on the power to the Outdoor unit.

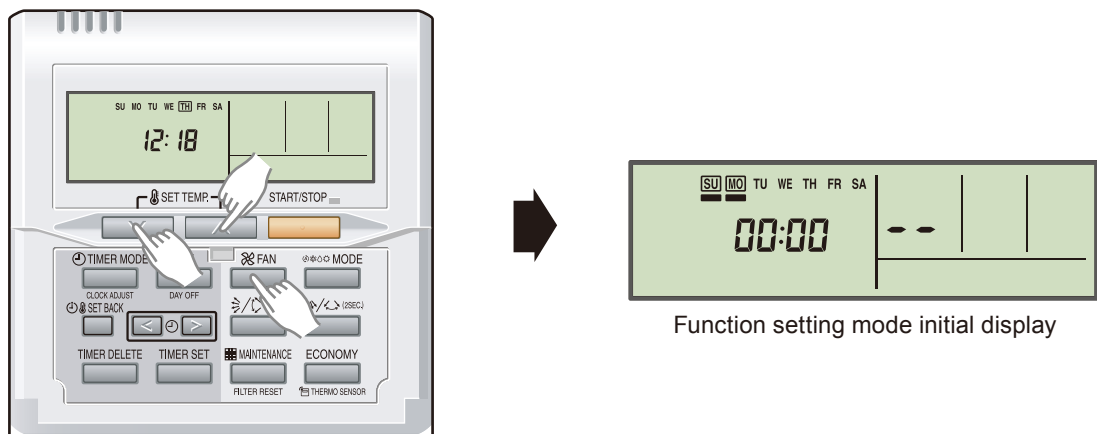
- Before turning on the power of the indoor units, make sure the piping air-tight test and vacuuming have been conducted.
- Also check again to make sure no wiring mistakes were made before turning on the power.



13-3-1. MODEL: UTY-RNN*M

SWITCHING SELECTION OF FUNCTION SETTING MODE

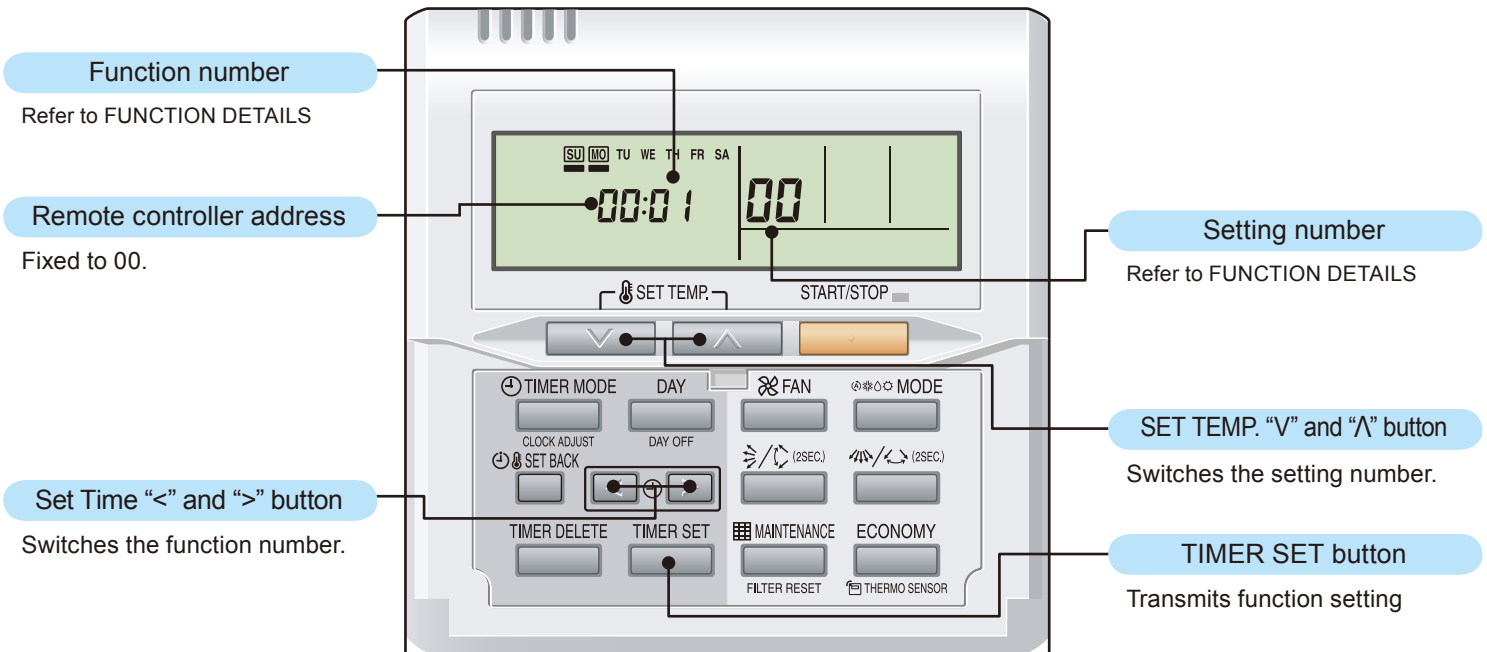
2) To activate the function setting mode, hold down the three buttons "SET TEMP. V", "SET TEMP. ^" and "FAN" at the same time for 5 seconds or longer.



Function setting mode initial display

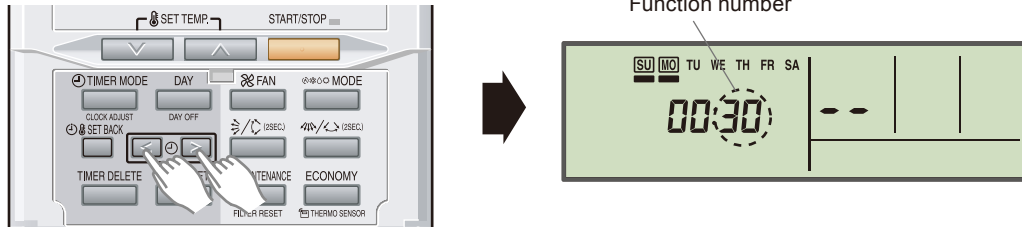
BUTTON NAME AND FUNCTION

- During address setting mode, indoor unit will reject any operation command from the remote controller.

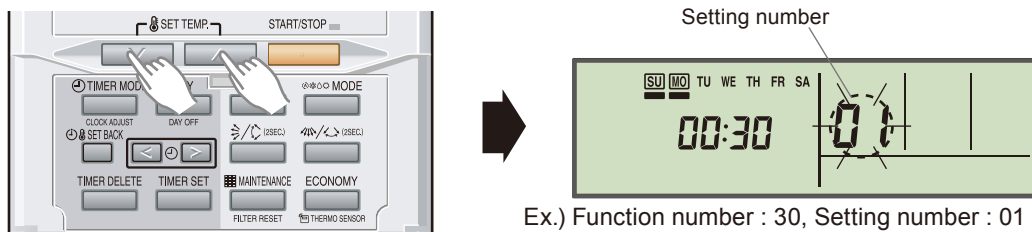


FUNCTION SETTING

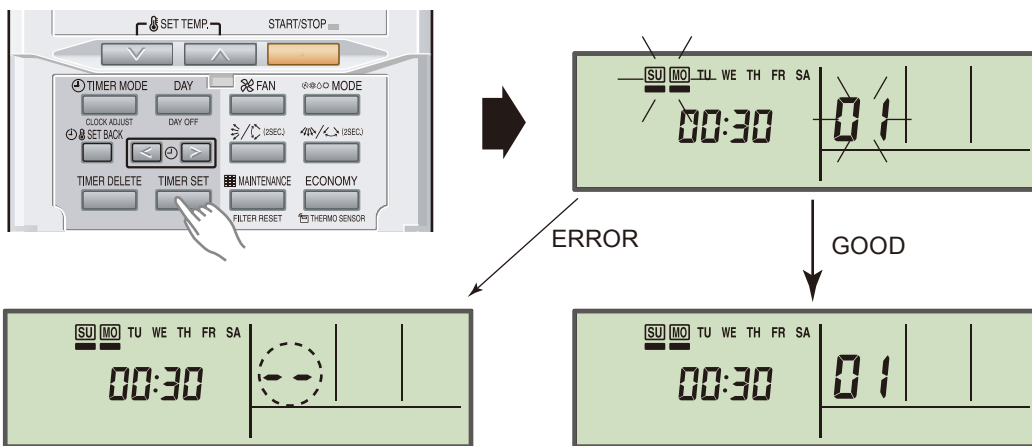
3) Press the "Set Time <" button or the "Set Time >" button, to select the function number.



4) Press the "SET TEMP. V" button or the "SET TEMP. ^" button, to select the setting number. The display flashes during setting number selection.



5) Press the "TIMER SET" button, confirm the setting.
(The data will be transferred to the indoor unit.)



- When the data was not set up on the indoor unit "--" is displayed.
- Set up the data again according to the procedure in step 3), 4) above.

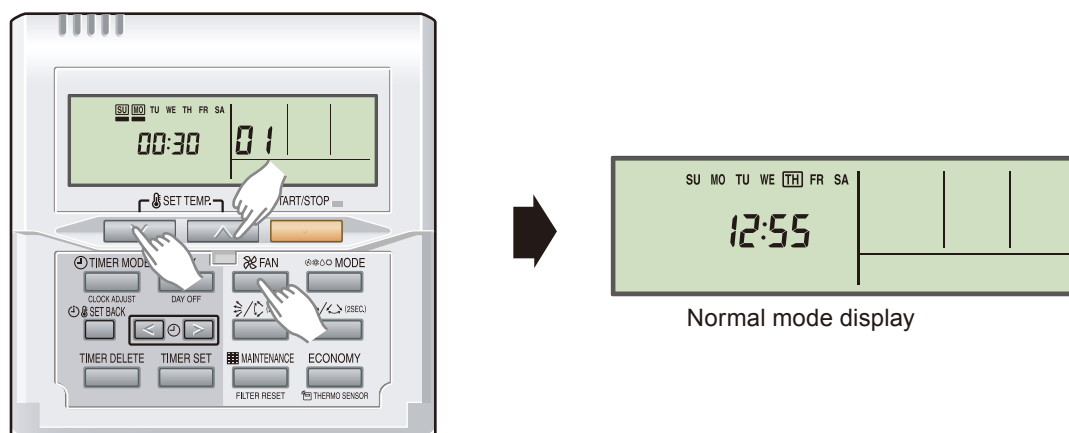
When the data was correctly set up on the indoor unit.
(Flashing display changes to illuminated display.)

FUNCTION DETAILS

Refer to 13-5. FUNCTION DETAILS

■ COMPLETION OF FUNCTION SETTING MODE

6) To clear the function setting mode and return to the regular display, hold down the three buttons "SET TEMP. V", "SET TEMP. Λ" and "FAN" at the same time.



*If no key entry is made for 60 seconds, even though none of the above buttons is pressed, the function setting mode will automatically be cleared.
(If the function setting mode is automatically cleared while setting addresses, activate the mode again according to the procedure in step 2.)

■ SETTING UP EACH INDOOR UNIT

Repeat the procedures in steps 1) through 6), and set up the indoor units requiring function setting.

■ RESET THE POWER AFTER SETTING UP FUNCTION OF ALL INDOOR UNITS

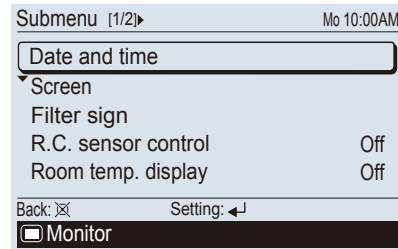
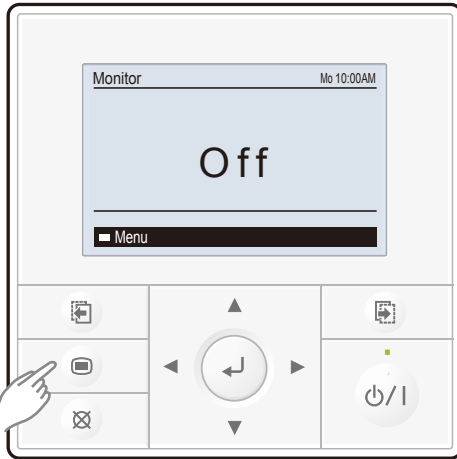
Important

- * If the reset is not performed, function settings cannot be read in normally.
- * After all the functions have been set, the circuit breaker needs to be switched off for at least 2 minutes.
After the 2 minutes has passed, power can be restored.
- * The set function is stored in the PCB and will remain in memory even when the power is turned off.
However, the settings are only effective after the power is reset.
Record the function settings of the indoor unit on a label, etc., and affix the label to the unit so it can be used for after-sales service operations.

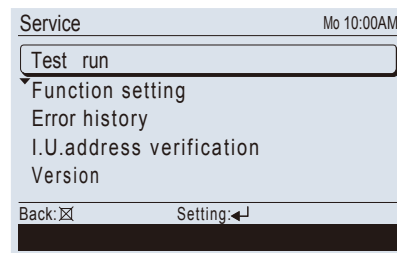
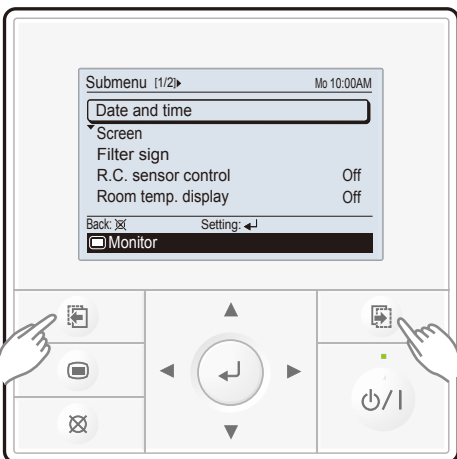
13-3-2. MODEL: UTY-RVN*M

■ SWITCHING SELECTION OF FUNCTION SETTING MODE

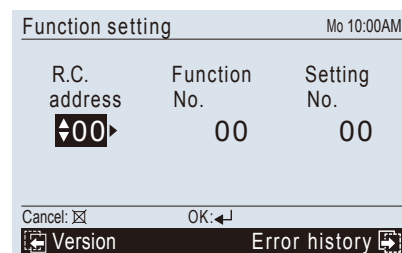
- 2) When [Menu button] is pressed twice while “Monitor” screen is displayed, it switches to the “Submenu” screen. If [Menu button] is pressed while the “Submenu” screen is displayed, the display returns to the “Monitor” screen.



- Press the [Screen switch button (Left)] and [Screen switch button (Right)] simultaneously for 5 seconds to switch to “Service” screen.

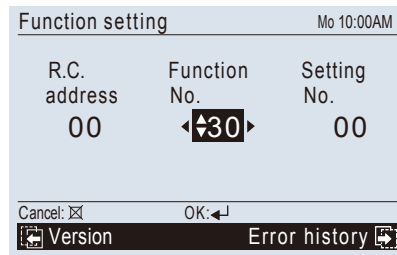
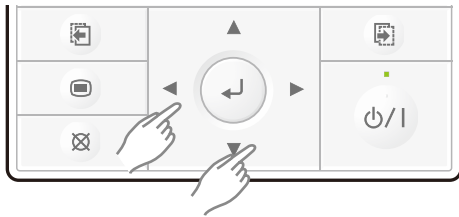


- Select [Function setting] with pressing the [Cursor button (Up/Down)], and press the [Enter button].

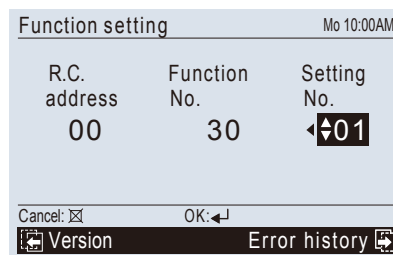
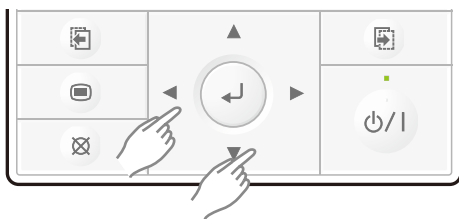


FUNCTION SETTING

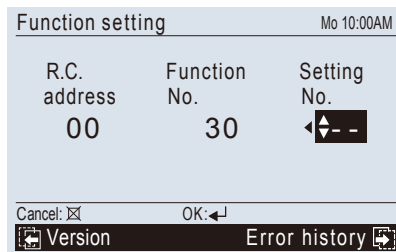
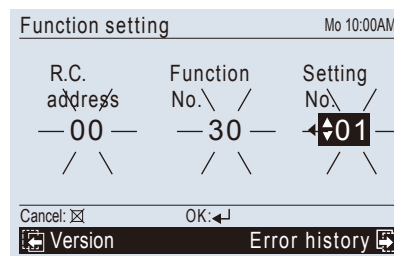
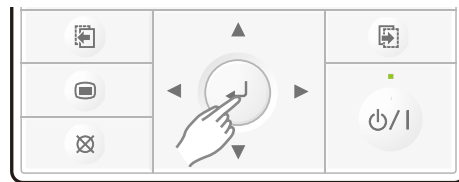
3) Select the [Function No.] by pressing the [Cursor button (Left/Right)], and select the Function No. to be set by pressing the [Cursor button (Up/Down)].



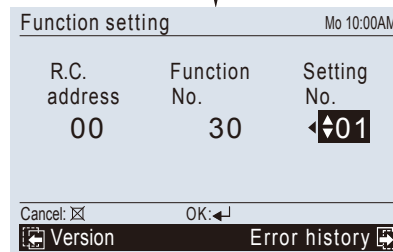
4) Select the [Setting No.] by pressing the [Cursor button (Left/Right)], and select the Setting No. to be set by pressing the [Cursor button (Up/Down)].



5) Pressing the [Enter button], confirm the setting.
(The data will be transferred to the indoor unit.)



- When the data was not set up on the indoor unit "--" is displayed.
- Set up the data again according to the procedure in step 3), 4) above.



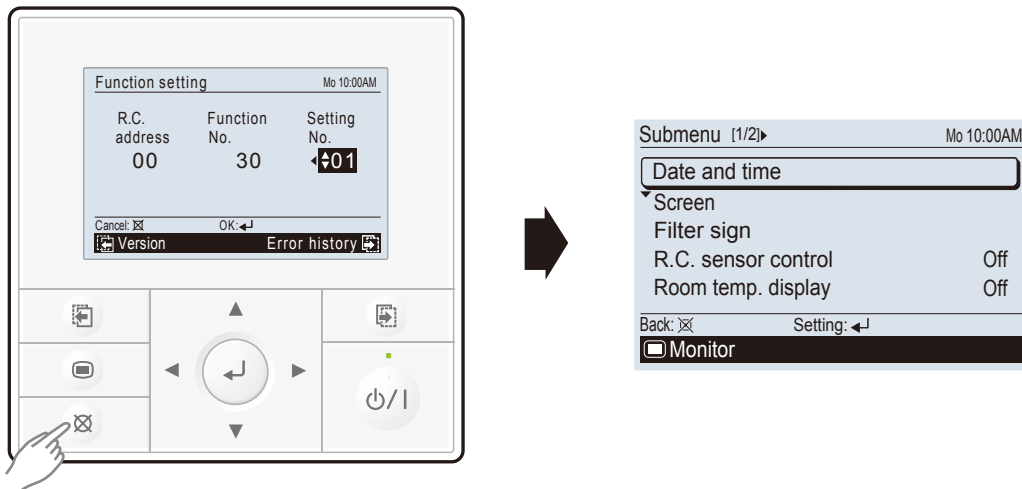
- When the data was correctly set up on the indoor unit
(Flashing display changes to illuminated display.)

FUNCTION DETAILS

Refer to 13-5. FUNCTION DETAILS

■ COMPLETION OF FUNCTION SETTING MODE

6) When [Cancel button] is pressed twice while “Function setting” screen is displayed, it switches to the “Submenu” screen.



*If no key entry is made for 60 seconds, even though none of the above buttons is pressed, the function setting mode will automatically be cleared.
(If the function setting mode is automatically cleared while setting addresses, activate the mode again according to the procedure in step 2).

■ SETTING UP EACH INDOOR UNIT

Repeat the procedures in steps 1) through 6), and set up the indoor units requiring function setting.

■ RESET THE POWER AFTER SETTING UP FUNCTION OF ALL INDOOR UNITS

Important

- * If the reset is not performed, function settings cannot be read in normally.
- * After all the functions have been set, the circuit breaker needs to be switched off for at least 2 minutes.
After the 2 minutes has passed, power can be restored.
- * The set function is stored in the PCB and will remain in memory even when the power is turned off.
However the function setting are only effective after the power is reset.
Record the function settings of the indoor unit on a label, etc., and affix the label to the unit so it can be used for after-sales service operations.

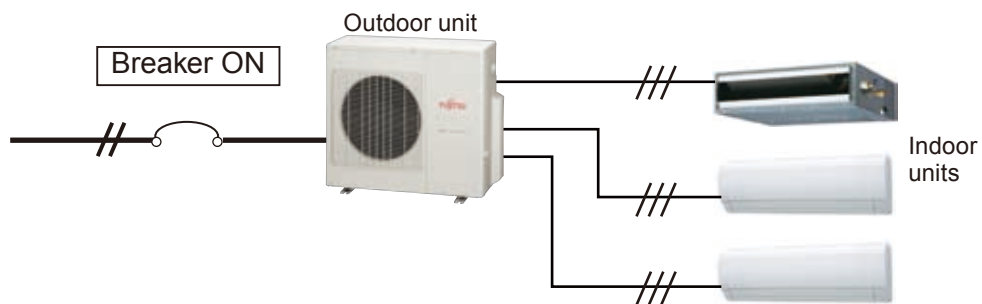
13-4. INDOOR UNIT (setting by simple remote controller)

- The function settings of the control of the indoor unit can be changed by this procedure according to the installation conditions. Incorrect settings can cause the indoor unit to malfunction.
- After the power is turned on, perform the "FUNCTION SETTING" according to the installation conditions using the remote controller.
- The settings may be selected between the following two: Function Number and Setting Number.
- Settings will not be changed if disable numbers or setting numbers are selected.
- This function cannot be used on secondary units.

■ PREPARATION

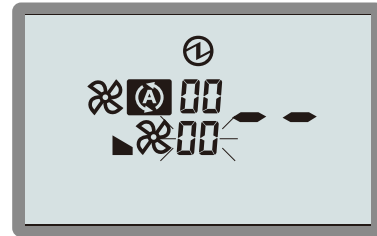
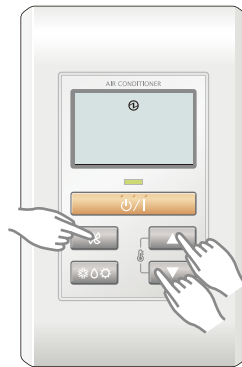
(1) Turn on the power to the Outdoor unit.

- Before turning on the power indoor units, make sure the piping air-tight test and vacuuming have been conducted.
- Also check again to make sure no wiring mistakes were made before turning on the power.



■ SWITCHING SELECTION OF FUNCTION SETTING MODE

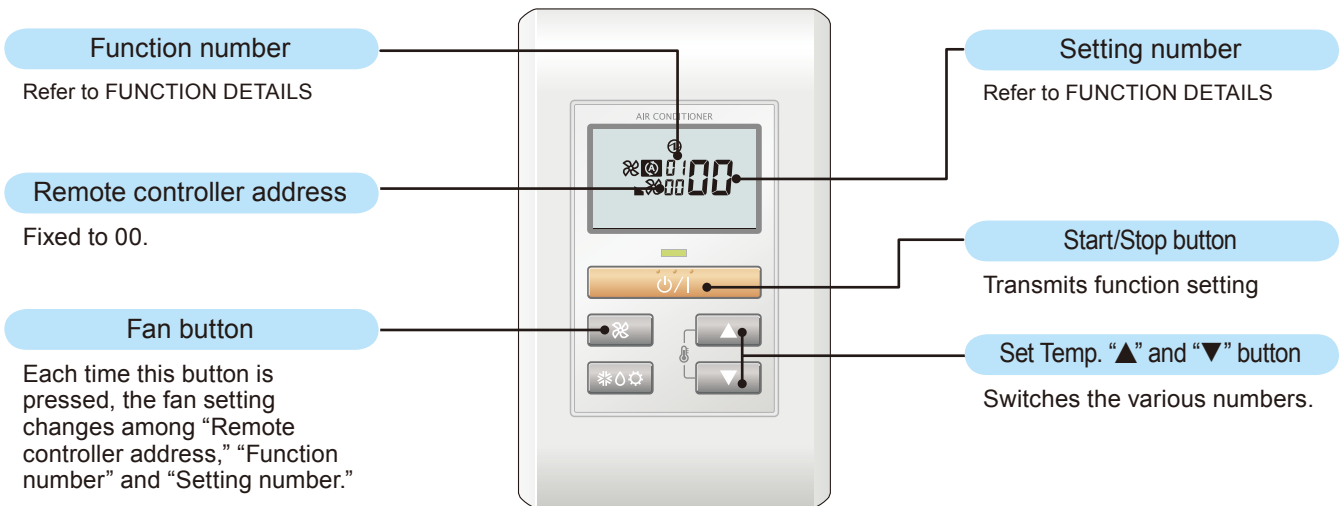
2) To activate the function setting mode, hold down the three buttons "Set Temp. ▼", "Set Temp. ▲" and "Fan" at the same time for 5 seconds or longer.



Function setting mode initial display

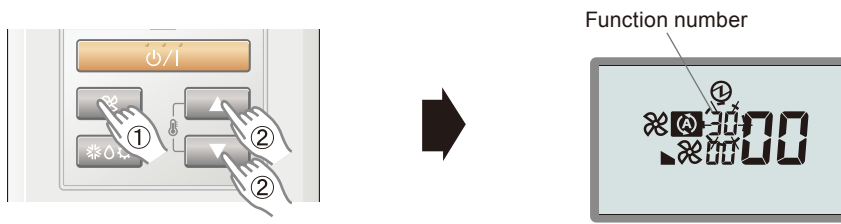
■ BUTTON NAME AND FUNCTION

- During function setting mode, indoor unit will reject any operation command from the remote controller.

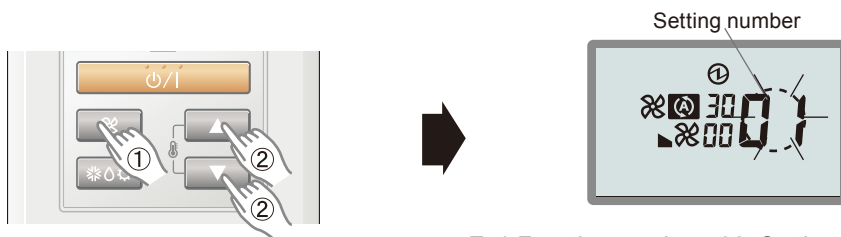


FUNCTION SETTING

3) Press the "Fan" button so that the "Function number" display flashes. Then, press either the "Set Temp. ▲" button or the "Set Temp. ▼" button to set up the function number.

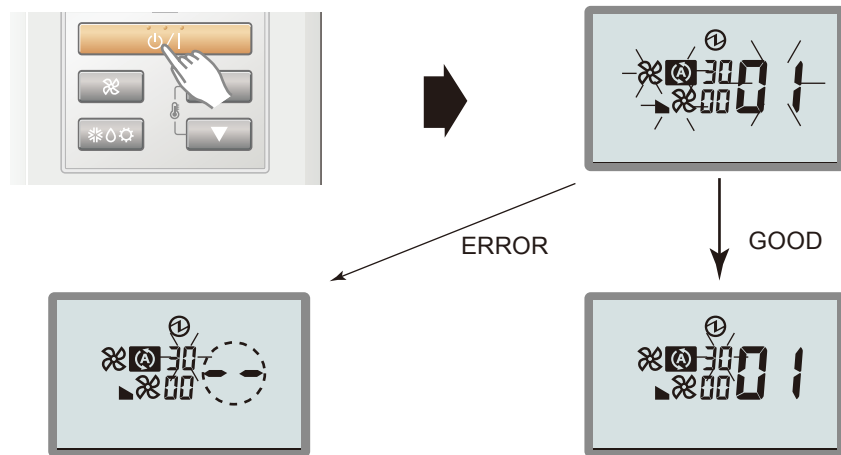


4) Press the Fan button so that the "Setting number" display flashes. Then, press either the Set Temp. ▲ button or the Set Temp. ▼ button to set up the setting number.



Ex.) Function number : 30, Setting number : 01

5) Pressing the Start/Stop button, confirm the setting.
(The data will be transferred to the indoor unit.)



- When the data was not set up on the indoor unit "--" is displayed.
- Set up the data again according to the procedure in step 3), 4) above.

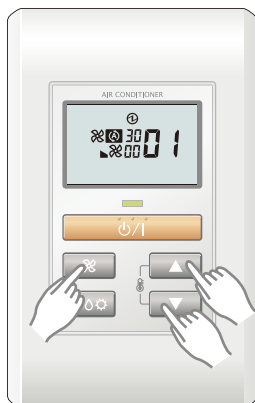
When the data was correctly set up on the indoor unit.

FUNCTION DETAILS

Refer to 13-5. FUNCTION DETAILS

■ COMPLETION OF FUNCTION SETTING MODE

6) Press the three buttons "Set Temp. ▲", "Set Temp. ▼" and "Fan" at the same time for 5 seconds or longer. The function setting mode will be cleared and the regular display will be restored.



Normal mode display

*If no key entry is made for 60 seconds, even though none of the above buttons is pressed, the function setting mode will automatically be cleared.

(If the function setting mode is automatically cleared while setting addresses, activate the mode again according to the procedure in step 2).

■ SETTING UP EACH INDOOR UNIT

Repeat the procedures in steps 1) through 6), and set up the indoor units requiring function setting.

■ RESET THE POWER AFTER SETTING UP FUNCTION OF ALL INDOOR UNITS

Important

- * If the reset is not performed, function settings cannot be read in normally.
- * After all the functions have been set, the circuit breaker needs to be switched off for at least 2 minutes.
After the 2 minutes has passed, power can be restored.
- * The set function is stored in the PCB and will remain in memory even when the power is turned off.
However, the settings are only effective after the power is reset.
Record the function settings of the indoor unit on a label, etc., and affix the label to the unit so it can be used for after-sales service operations.

13-5. FUNCTION DETAILS

	Functions	Compact cassette	Slim duct	Wall mounted	Floor / Ceiling	Floor
1)	Filter sign	●	●	●	●	●
2)	Ceiling height	●	-	-	●	-
3)	Outlet directions	●	-	-	-	-
4)	Vertical airflow direction range control	-	-	-	-	●
5)	Static pressure	-	●	-	-	-
6)	Room temperature sensor control for cooling	●	●	●	●	●
7)	Room temperature sensor control for heating	●	●	●	●	●
8)	Auto restart	●	●	●	●	●
9)	Room temperature sensor switching	●	●	●	●	●
10)	Remote controller custom code	●	●	●	●	●
11)	External input control	●	●	●	●	●
12)	Room temperature sensor switching (Aux.)	●	●	●	●	●
13)	Indoor unit fan control for energy saving for cooling	●	●	●	●	●

1) Filter sign

Select appropriate intervals for displaying the filter sign on the indoor unit according to the estimated amount of dust in the air of the room.

If the indication is not required, select "No indication" (03).

(◆... Factory setting)

Function number	Setting value	Setting description
11	00	Standard
	01	Long interval
	02	Short interval
	03	No indication

Intervals will differ depending on the Indoor unit type as follows.

Setting description	Compact Cassette	Slim Duct	Wall Mounted	Floor / Ceiling	Floor
Standard	2500 hours			400 hours	
Long interval	4400 hours			1000 hours	
Short interval	1250 hours			200 hours	

2) Ceiling height

Select the appropriate ceiling height according to the place of installation.

(◆... Factory setting)

Function number	Setting value	Setting description
20	00	Standard (2.7 m)
	01	High ceiling (3.0 m)

In case of Cassette type models: The ceiling height values are for the 4-way outlet.

Do not change this setting in the 3-way outlet mode.

7000, 9000 Btu/h models cannot be installed in high ceilings.

Do not change this setting.

3) Outlet directions

Select the appropriate number of outlet directions according to the installation conditions.

(◆... Factory setting)

Function number	Setting value	Setting description
22	00	4-way
	01	3-way

4) Vertical airflow direction range control

In a concealed installation, change the setting to "Fixed" (02) to restrict the movement of the upper air outlet so that the airflow is only towards the horizontal direction.

(◆... Factory setting)

Function number	Setting value	Setting description
23	00	Standard
	01	(Setting prohibited)
	02	Fixed (Concealed)

5) Static pressure

Select the appropriate static pressure according to the installation conditions.

(◆... Factory setting)

Function number	Setting value	Setting description
26	00	0 Pa
	01	10 Pa
	02	20 Pa
	03	30 Pa
	04	40 Pa
	05	50 Pa
	06	60 Pa
	07	70 Pa
	08	80 Pa
	09	90 Pa
	31	25 Pa [Standard]

6) Room temperature sensor control for cooling

Depending on the installed environment, correction of the room temperature sensor may be required.

Select the appropriate control setting according to the installed environment.

(◆... Factory setting)

Function number	Setting value	Setting description
30	00	Standard
	01	Slightly lower control
	02	Lower control
	03	Higher control

In case of Slim duct type and Floor/Ceiling type models: In floor console installations, select "01".

7) Room temperature sensor control for heating

Depending on the installed environment, correction of the room temperature sensor may be required.

Select the appropriate control setting according to the installed environment.

(◆... Factory setting)

Function number	Setting value	Setting description
31	00	Standard
	01	Lower control
	02	Slightly higher control
	03	Higher control

In case of Slim duct type and Floor/Ceiling type models: In floor console installations, select "01".

8) Auto restart

Enable or disable automatic restart after a power interruption.

(◆... Factory setting)

Function number	Setting value	Setting description
40	00	Enable
	01	Disable

*Auto restart is an emergency function such as for power outage etc.

Do not attempt to use this function in normal operation.

Be sure to operate the unit by remote controller or external device.

9) Room temperature sensor switching

(Only for Wired remote controller)

When using the Wired remote controller temperature sensor, change the setting to "Both" (01).

(◆... Factory setting)

Function number	Setting value	Setting description
42	00	Indoor unit
	01	Both

00: Sensor on the indoor unit is active.

01: Sensors on both indoor unit and wired remote controller is active.

*Remote controller sensor must be turned on by using the remote controller.

10) Remote controller custom code

(Only for wireless remote controller)

The indoor unit custom code can be changed.

Select the appropriate custom code.

(◆... Factory setting)

Function number	Setting value	Setting description
44	00	A
	01	B
	02	C
	03	D

11) External input control

"Operation/Stop" mode or "Forced stop" mode can be selected.

(◆... Factory setting)

Function number	Setting value	Setting description
46	00	Operation/Stop mode
	01	(Setting prohibited)
	02	Forced stop mode

12) Room temperature sensor switching (Aux)

To use the temperature sensor on the wired remote controller only, change the setting to "Wired remote controller" (01). This function will only work if the function setting 42 is set at "Both" (01)

(◆... Factory setting)

Function number	Setting value	Setting description
48	00	Both
	01	Wired remote controller

13) Indoor unit fan control for energy saving for cooling

Enable or disables the power-saving function by controlling the indoor unit fan rotation when the outdoor unit is stopped during cooling operation.

(◆... Factory setting)

Function number	Setting value	Setting description
49	00	Disable
	01	Enable

◆

00: When the outdoor unit is stopped, the indoor unit fan operates continuously following the setting on the remote controller.

01: When the outdoor unit is stopped, the indoor unit fan operates intermittently at a very low speed.

13-6. WIRED REMOTE CONTROLLER

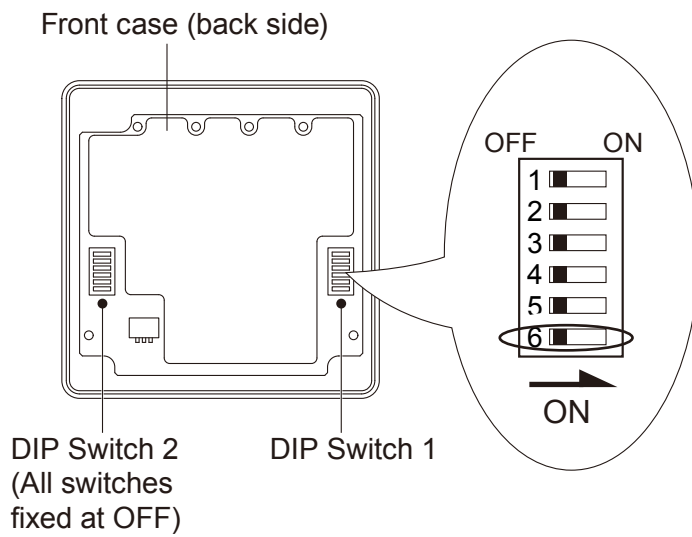
13-6-1. MODEL: UTY-RNN*M

DIP Switch 1	SW1	Prohibited
	SW2	Dual remote controller setting
	SW3	Prohibited
	SW4	°F / °C switch
	SW5	Prohibited
	SW6	Memory backup setting

* Do not use DIP Switch 2

■ SWITCH POSITION

● Wired remote controller



■ DIP SWITCH 1 SETTING

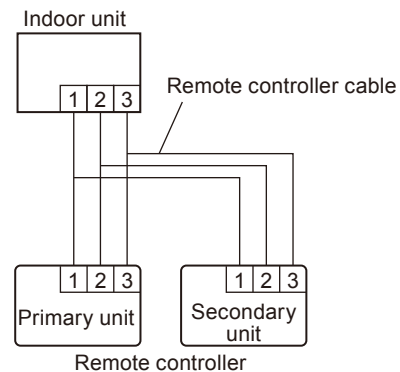
● SW2 setting

● Dual remote controller setting

Set the remote controller SW2 according to the following table.

(◆...Factory setting)

Number of remote controller	Primary unit	Secondary unit
	SW2	SW2
◆ 1 (Normal)	OFF	-
2 (Dual)	OFF	ON



● SW4 setting

● °F / °C switch

Temperature display is Fahrenheit(°F) / Celsius(°C)

(◆...Factory setting)

SW4	
◆ OFF	°C
ON	°F

● SW6 setting

● Memory backup setting

Set to ON to use batteries for the memory backup.

If batteries are not used, all of settings stored in memory will be deleted if there is a power failure.

(◆...Factory setting)

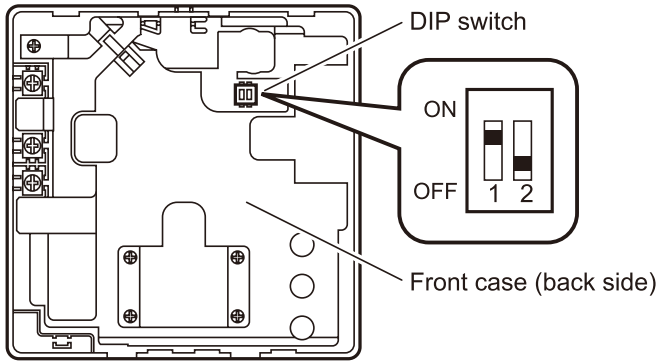
SW6	Memory backup
◆ OFF	Disable
ON	Enable

13-6-2. MODEL: UTY-RVN*M

DIP Switch	SW1	Memory backup setting
	SW2	Dual remote controller setting

SWITCH POSITION

Wired remote controller



DIP SWITCH SETTING

Memory backup setting

Set to ON to use batteries for the memory backup.

If batteries are not used, all of settings stored in memory will be deleted if there is a power failure.

(◆...Factory setting)

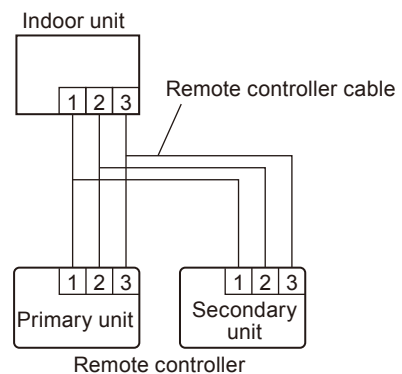
SW1	Memory backup
◆ OFF	Disable
ON	Enable

Dual remote controller setting

Set the remote controller SW2 according to the following table.

(◆...Factory setting)

Number of remote controller	Primary unit	Secondary unit
	SW2	SW2
◆ 1 (Normal)	OFF	-
2 (Dual)	OFF	ON

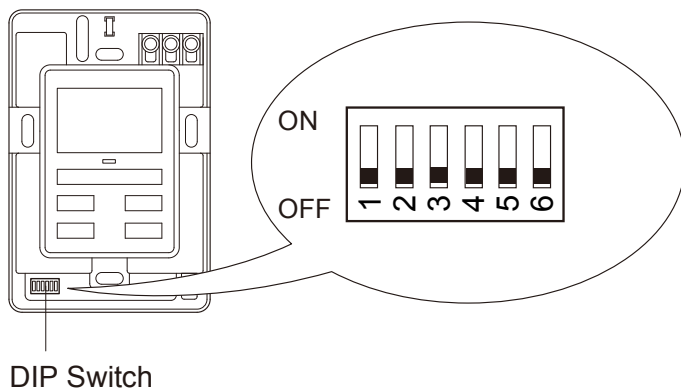


13-7. SIMPLE REMOTE CONTROLLER

DIP Switch	SW1	Prohibited
	SW2	Dual remote controller setting
	SW3	°F / °C switch
	SW4	Prohibited
	SW5	Prohibited
	SW6	Prohibited

■ SWITCH POSITION

● Simple remote controller



■ DIP SWITCH SETTING

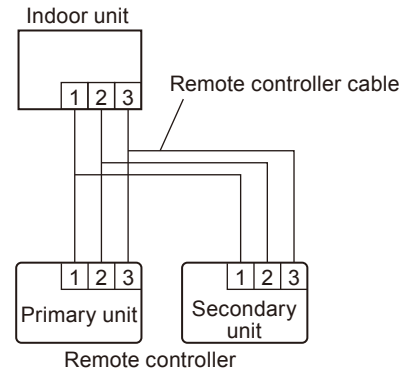
● SW2 setting

● Dual remote controller setting

Set the remote controller SW2 according to the following table.

(◆...Factory setting)

Number of remote controller	Primary unit	Secondary unit
	SW2	SW2
◆ 1 (Normal)	OFF	-
2 (Dual)	OFF	ON



● SW3 setting

● °F / °C switch

Temperature display is Fahrenheit(°F) / Celsius(°C)

(◆...Factory setting)

SW3	
◆ OFF	°C
ON	°F

14. OPTIONAL PARTS

14-1. CONTROLLER

■ LINE UP

Type	Model	Indoor units							
		Compact Cassette	Slim Duct	Wall mounted				Floor / Ceiling	Floor
				LJ	LU	LM	LF		
Wired Remote Controller	UTY-RVN*M	○	○	○ *1	○ *2	○ *3	○	○	○
	UTY-RNN*M	○	●	○ *1	○ *2	○ *3	○	○	○
Wireless Remote Controller	AR-RAH2E	-	-	-	-	-	●	●	-
	AR-RAH1E	●	-	●	-	-	-	-	●
	AR-REA2E	-	-	-	●	-	-	-	-
	AR-REB1E	-	-	-	-	●	-	-	-
IR Receiver Unit	UTY-LRH*M	-	○	-	-	-	-	-	-
Simple Remote Controller	UTY-RSN*M	○	○	○ *1	○ *2	○ *3	○	○	○

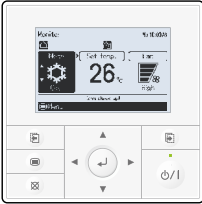
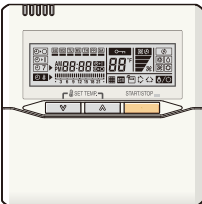






●: Accessory, ○: Optional, -: Not applicable.

*1: Optional Communication kit (UTY-XCBXZ1) is necessary for the installation.

*2: Optional Communication kit (UTY-TWBXF) is necessary for the installation.

*3: Optional Communication kit (UTY-XCBXZ2) is necessary for the installation.

■ INDIVIDUAL CONTROL

Wired Remote Controller		Simple Remote Controller		
 <p>UTY-RVN*M</p>	 <p>UTY-RNN*M</p>	 <p>UTY-RSN*M</p>		
Wireless Remote Controller		IR Receiver Unit		
 <p>AR-RAH2E</p>	 <p>AR-RAH1E</p>	 <p>AR-REA2E</p>	 <p>AR-REB1E</p>	 <p>UTY-LRH*M</p>

14-2. OTHERS

■ LINE UP

Type	Model	Indoor units							
		Compact Cassette	Slim Duct	Wall mounted				Floor / Ceiling	Floor
				LJ	LU	LM	LF		
Cassette grille	UTG-UF*D-W	○	-	-	-	-	-	-	-
Air outlet shutter plate	UTR-YDZB	○	-	-	-	-	-	-	-
Insulation kit for high humidity	UTZ-KXGC	○	-	-	-	-	-	-	-
Fresh air intake kit	UTZ-VXAA	○	-	-	-	-	-	-	-
External control set	UTD-ECS5A	-	○	-	-	-	-	-	-
External connect kit	UTY-XWZX	○	-	○ *1	-	-	○	○	○
	UTY-XWZXZ5	-	-	-	○ *2	○ *3	-	-	-
Remote sensor unit	UTY-XSZX	-	○	-	-	-	-	-	-
Auto louver grille kit	UTD-GXSA-W UTD-GXSB-W	-	○	-	-	-	-	-	-
Communication kit	UTY-XCBXZ1	-	-	○	-	-	-	-	-
	UTY-XCBXZ2	-	-	-	-	○	-	-	-
	UTY-TWBXF	-	-	-	○	-	-	-	-
Half concealed kit	UTR-STA	-	-	-	-	-	-	-	○

○: Optional, -: It is not possible to connect it.

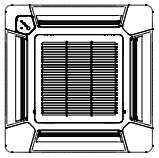
*1: Optional Communication kit (UTY-XCBXZ1) is necessary for the installation.

*2: Optional Communication kit (UTY-TWBXF) is necessary for the installation.

*3: Optional Communication kit (UTY-XCBXZ2) is necessary for installation.


■ PARTS

Cassette grille Model : UTG-UF*D-W



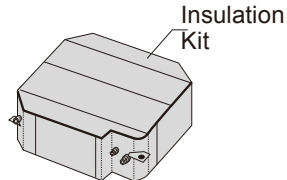
For Compact Cassette type

Air outlet shutter plate Models : UTR-YDZB



For Compact Cassette type

Insulation kit for high humidity Model : UTZ-KXGC



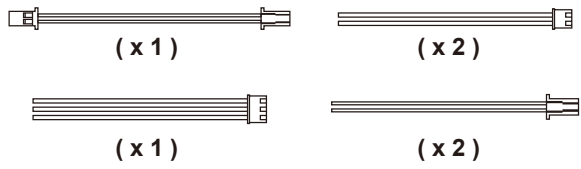
For Compact Cassette type

Fresh air intake kit Model : UTZ-VXAA




For Compact Cassette type

External control set Model : UTD-ECS5A



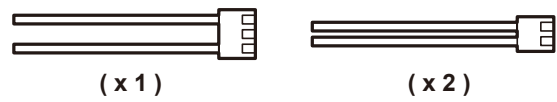
For Slim Duct type

External connect kit Model : UTY-XWZX



For Compact Cassette, Wall Mounted (LJ, LF), Floor / Ceiling, Floor type

External connect kit Model : UTY-XWZXZ5



For Wall Mounted (LU, LM) type

Remote sensor unit Model : UTY-XSZX



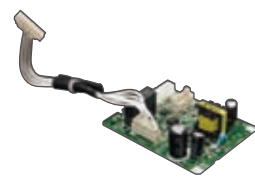
For Slim Duct type

Auto louver grille kit Models : UTD-GXSA-W *1
UTD-GXSB-W *2



*1 For Slim Duct (07-14 models)
*2 For Slim Duct (18 model)

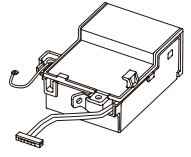
Communication kit Model : UTY-XCBXZ1



For Wall mounted (LJ) type

■ PARTS

Communication kit
Model : UTY-XCBXZ2



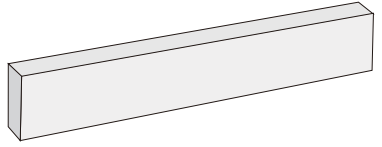
For Wall Mounted (LM) type

Communication kit
Model : UTY-TWBXF



For Wall mounted (LU) type

Half concealed kit
Model : UTR-STA



For Floor type

15. INSTALLATION PRECAUTIONS

15-1. INDOOR UNIT INSTALLATION PRECAUTIONS

Note: The information listed below are general precautions.
Some models also include items that do not apply.

■ PLACES WHERE USE IS PROHIBITED

- Places where there is danger of combustible gas leakage.
- Places where sulfur gas, chlorine gas, acid, alkali, or other matter which effects equipment is generated
- Places where there is a lot of oil splash and steam (kitchen, machinery room, etc.)
- Places where machinery which generates high frequencies is used
- Ocean beaches and other areas where there is a lot of salt
- Places where carbon fibers and metal powder, powder, etc. is suspended in the air
- Installation in vehicles, ships, and other conveyances
- Factory, etc. where voltage fluctuations are large

■ POINTS TO REMEMBER WHEN INSTALLING

- (1) The set shall be installed at a place which can withstand the weight and vibration of the indoor unit
- (2) To allow maintenance after refrigerant piping, drain piping, and electric wiring connection and installation, provide an installation service space and an inspection port, as required.
*Installation service space is shown on " DIMENSIONS ".
- (3) Be careful when installing the set at the following places.

[Installation precautions]

	Contents	Countermeasures (Reference)
When the ceiling is high	If the indoor unit is installed where the installation height given in the installation manual is exceeded, the temperature difference between the floor and ceiling of the room will be large and the heating effect will be poor. Moreover, even if the indoor unit is installed within the installation height, a similar phenomena will occur when installed in a room in which the doors are opened and closed frequently and hot air circulation is obstructed by desks, chairs, etc.	(1) Switch the setting to the high ceiling mode. (2) Install a circulator. (3) Arrange the furniture in the room so that it does not obstruct the hot air.
When lower level is in direct contact with outside air.	When the lower level of shops and offices is a warehouse, parking lot, etc., the surface temperature of the flooring will become low and cold radiation from the floor will increase. In this case, your feet will feel cold even if the room temperature is suitable.	
When the air flow distribution is poor	When an indoor unit is installed in a position where the outlet air flow will directly contact people, a draft may be felt. In addition, when there are obstructions in the path of the intake and outlet air flow, the air distribution may become extremely bad.	(1) Adjust the louver fins or take other measures matched to the site. (2) Change the indoor unit outlet.

[Installation precautions]

	Contents	Countermeasures (Reference)
When the temperature and humidity inside the ceiling is high	<p>When the indoor unit is installed where the inside of the ceiling is 30°C (86°F) RH80% or greater, the dew point temperature of the outer perimeter may become higher than the cabinet surface temperature and moisture will condense on the surface of the cabinet and water drops may fall inside the room. →Refer to Fig.A</p> <p>In addition, the humidity may vary considerably the same as when the inside of the ceiling is close to hermetically sealed and used as the outside air intake path.</p>	<p>(1) Add heat insulating material to the outside of the indoor unit cabinet. *Regarding the cassette type, use of the “high humidity correspondence kit (option)” is recommended.</p> <p>(2) Strengthen the heat insulating material of the refrigerant piping and drain piping also →Refer to Fig.B</p> <p>(3) When the humidity inside the ceiling changes considerably, install a ventilation port</p>

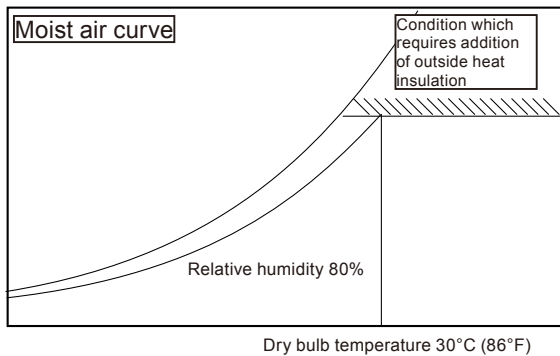


Fig.A

Work method when reinforcing the heat insulation of on-site piping

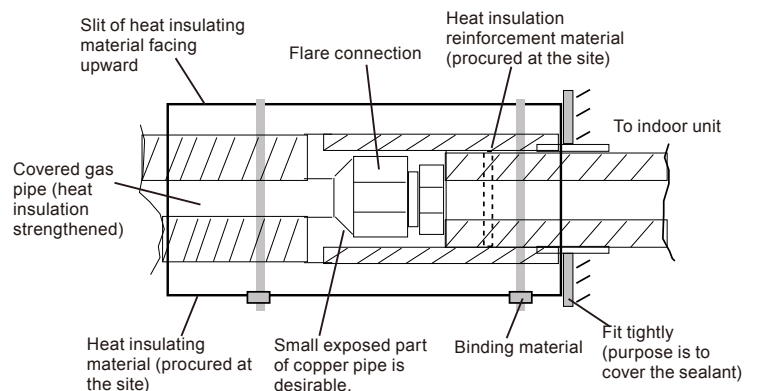


Fig.B

	Contents	Countermeasures (Reference)
When using an external duct	<p>When using an external duct to take in new fresh air, etc., condensation may form on the surface of the duct due to the effect of the outside air temperature and the humidity inside the ceiling.</p>	<p>(1) Always perform heat insulation processing. (Heat insulating material: Glass wool 25mm (31/32 in.) thickness or more.)</p>
When the remote controller installation is in an unsuitable place	<p>If the cold or warm air blowing out from the air conditioner directly contacts the thermostat section of the remote controller, the outlet temperature of the air conditioner may be detected. Since the room temperature control will be based differently from the room temperature, troubles such as “not cooling” or “not heating”, etc. may occur.</p> <p>In addition, there is the possibility that the same kind of trouble may also occur when the remote controller is effected by direct sunlight.</p>	<p>(1) Install the remote controller where it will not be directly exposed to the cold or hot air.</p> <p>(2) Install the remote controller where it will not be directly exposed to sunlight or strong lighting</p>

[Installation precautions]

	Contents	Countermeasures (Reference)
When the installation environment is quiet	When the Wall mounted type is installed in a bedroom, living room, or other quiet places, the sound of the refrigerant flow may be sensed as noise and must be taken into account.	(1) Plan installation of a model with external expansion valve. (2) Plan installation of a branch box farther from indoor unit. (3) Plan installation using another air conditioner.
When installing the duct type in a ceiling chamber system	In the case of the ceiling chamber system (duct is not installed at indoor unit inlet side and room air is sucked into the indoor unit through the inside of the ceiling), the thermistor inside the indoor unit may not correctly detect the room temperature. Heating operation: Room is not heated because the indoor unit is easily turned off by the thermostat. Cooling operation: Room is too cold because the indoor unit is difficult to turn off by the thermostat.	(1) Replace the indoor unit thermistor with a Remote sensor unit (optional parts) and install the sensor where the room temperature can be correctly detected
When the outlet air is sucked in at duct type	Cooling operation does not cool the room and heating operation does not heat the room because the short circuited indoor unit is not turned on by the thermostat.	(1) Reconsider the ventilation port construction (2) Replace the indoor unit thermistor with a Remote sensor unit (optional parts) and install the sensor where the room temperature can be correctly detected.
When using the wireless remote controller	Signals may not be received when using it in a room illuminated by an inverter fluorescent lamp.	(1) Turn on the fluorescent lamp and check if the indoor unit receives the signals from the remote controller. If the indoor unit does not receive the signals, consult an authorized service personnel.
When installing the inverter type	It may generate noise in TV sets, stereos and PCs.	(1) The inverter type should be installed at a sufficient distance from these equipments.

2. OUTDOOR UNIT (2 ROOMS TYPE)

MULTI TYPE :

AO*G14LAC2

AO*G18LAC2

CONTENTS

2. OUTDOOR UNIT (2 ROOMS TYPE)

1.	SPECIFICATIONS	02 - 01
2.	DIMENSIONS	02 - 03
3.	REFRIGERANT CIRCUIT	02 - 05
4.	WIRING DIAGRAMS	02 - 07
5.	CAPACITY TABLE	02 - 09
5-1.	COMBINATIONS	02 - 09
5-2.	COOLING CAPACITY	02 - 11
5-3.	HEATING CAPACITY	02 - 16
6.	CAPACITY COMPENSATION RATE FOR PIPE LENGTH AND HEIGHT DEFFERENCE	02 - 21
7.	ADDITIONAL CHARGE CALCULATION	02 - 28
8.	AIRFLOW	02 - 29
9.	OPERATION NOISE (SOUND PRESSURE)	02 - 30
9-1.	NOISE LEVEL CURVE	02 - 30
9-2.	SOUND LEVEL CHECK POINT	02 - 31
10.	ELECTRIC CHARACTERISTICS	02 - 32
11.	SAFETY DEVICES	02 - 33
12.	INSTALLATION PRECAUTIONS	02 - 34
12-1.	OUTDOOR UNIT INSTALLATION PRECAUTIONS	02 - 34

1. SPECIFICATIONS

The following performance is a value at standard combinations.

STANDARD COMBINATION

AO*G14LAC2 : AS*G07LMCA + AS*G07LMCA

AO*G18LAC2 : AS*G09LMCA + AS*G09LMCA

Type				INVERTER MULTI MODELS		
				HEAT PUMP TYPE		
Model name				AO*G14LAC2	AO*G18LAC2	
Power source				230V ~ 50Hz		
Available voltage range				198-264V ~ 50Hz		
Capacity	Cooling	Rated	kW	4.0	5.0	
			Btu/h	13600	17100	
		Min. - Max.	kW	1.4 - 4.4	1.7 - 5.6	
	Heating	Rated	kW	4.4	5.6	
			Btu/h	15000	19100	
		Min. - Max.	kW	1.1 - 5.4	1.8 - 6.1	
Input power	Cooling	Rated	kW	1.09	1.56	
			Max.	1.40	1.95	
		Heating	Rated	kW	1.03	1.41
	Max.			1.78	1.90	
	Current		Cooling	Rated	A	5.1
		Heating	A		4.9	6.3
EER	Cooling	Rated	kW/kW	3.67	3.21	
COP	Heating		kW/kW	4.27	3.97	
Starting current			A	5.1	6.9	
Maximum operating current			A	10.0	12.0	
Fan	Airflow rate	Cooling	m ³ /h	1850	2050	
		Heating		1850	2050	
	Type x Q'ty		Propeller x 1			
	Motor output		W			
Sound pressure level *1		Cooling	dB(A)	47	50	
		Heating		49	51	
Heat exchanger type	Dimension (H x W x D)		mm	504 x 850 x 36.4		
	Fin pitch			1.4		
	Rows x Stages			2 x 24		
	Pipe type			Copper tube		
	Fin type			Aluminium		
Compressor	Type x Q'ty			DC ROTARY x 1	DC TWIN ROTARY x 1	
	Motor output		W	750	900	
Refrigerant	Type (Global Warming Potential)		R410A (1975)			
	Charge		g	1250	1300	
Refrigerant oil	Type		POE			
Enclosure	Material		Steel sheet			
	Colour		BEIGE (Approximate colour of MUNSELL 10YR7.5 / 1.0NN)			
Dimensions (H x W x D)	Net		mm	540 x 790 x 290		
	Gross			648 x 910 x 380		
Weight	Net		kg	37	38	
	Gross			41	42	
Connection pipe	Size	Liquid	mm	Ø6.35 (Ø1/4 in.) x 2		
		Gas		Ø9.52 (Ø3/8 in.) x 2	Ø9.52 (Ø3/8 in.) x 2, [Ø12.70 (Ø1/2 in.)] *2	
	Method		Flare			
	Pre-charge length (Total)		20			
	Max. length (Total)		30			
	Max. length (Each)		20			
	Min. length (Total)		6			
	Min. length (Each)		3			
	Max. height difference between Outdoor Unit and each Indoor Units.		15			
	Max. height difference between Indoor Units.		10			
Operation range	Cooling		°C	10 to 46		
	Heating			-15 to 24		

NOTE:

Specifications are based on the following conditions.

Cooling: Indoor temperature of 27 °CDB / 19 °CWB. and outdoor temperature of 35 °CDB / 24 °CWB.

Heating: Indoor temperature of 20 °CDB / 15 °CWB. and outdoor temperature of 7 °CDB / 6 °CWB.

Pipe length: 5m, Height difference: 0m. (Outdoor unit - indoor unit)

The protective function might work when using it outside the operation range.

*1: These are the measured values in the manufacturer's anechoic chamber.

Because of the surrounding sound environment, the sound levels measured in actual installation conditions might be higher than the specified values here.

*2: Connect to connection valve by the adapter

Model name			AO*G14LAC2	AO*G18LAC2
Energy efficiency class	Cooling		A++	A++
	Heating (Average)		A+	A+
Pdesign	Cooling	kW	4.0 (35°C)	5.0 (35°C)
	Heating (Average)		3.8 (-10°C)	4.2 (-10°C)
SEER	Cooling	kWh/kWh	6.70	6.60
SCOP	Heating (Average)		4.10	4.10
Annual energy consumption	QCE		209	265
	QHE (Average)		1296	1434
Sound power level	Cooling	High	dB (A)	61
	Heating			63

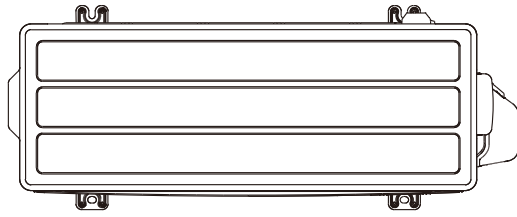
2. DIMENSIONS

■ MODEL: AO*G14L2, AO*G18L2

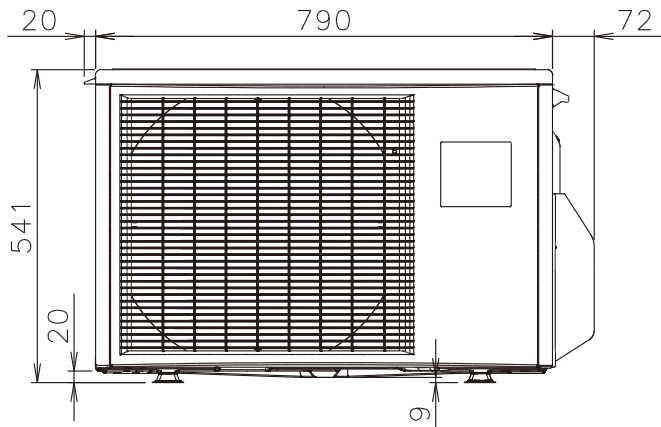
(Unit : mm)

OUTDOOR UNIT
AO*G14-18L2

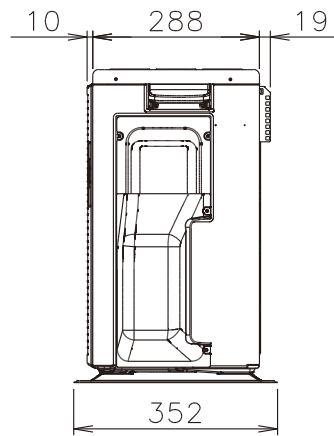
OUTDOOR UNIT
AO*G14-18L2



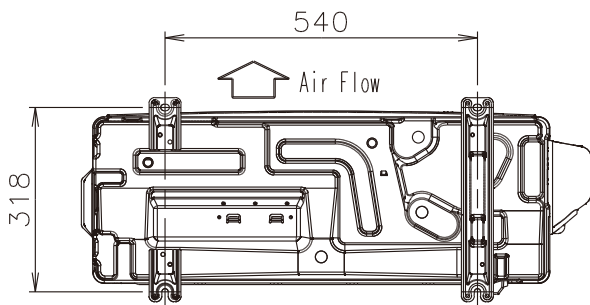
Top view



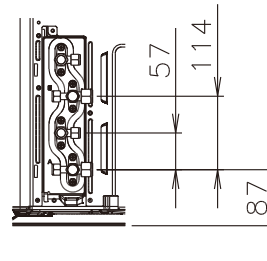
Front view



Side view



Bottom view



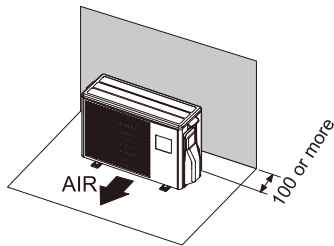
■ INSTALLATION PLACE

(Unit : mm)

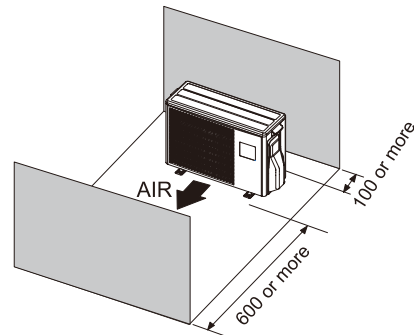
OUTDOOR UNIT
AO*G14-18L2

OUTDOOR UNIT
AO*G14-18L2

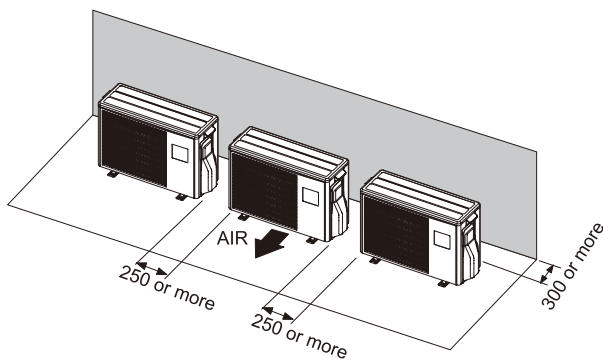
When there are obstacles at the back side.



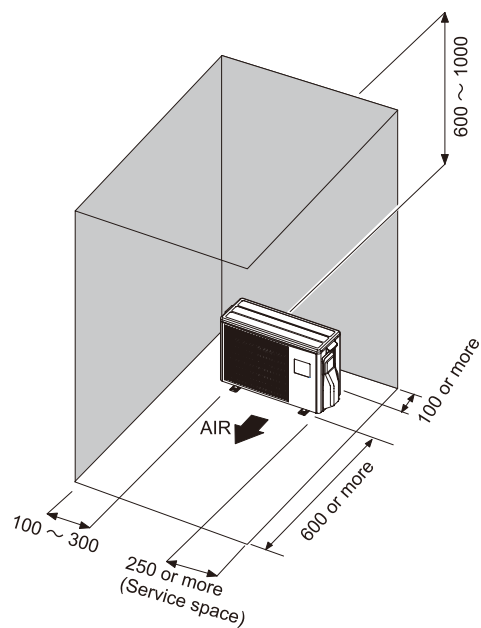
When there are obstacles at the back or front sides.



When there are obstacles at the back, side(s), and top.



When there are obstacles at the back, side with the installation of more than one unit.



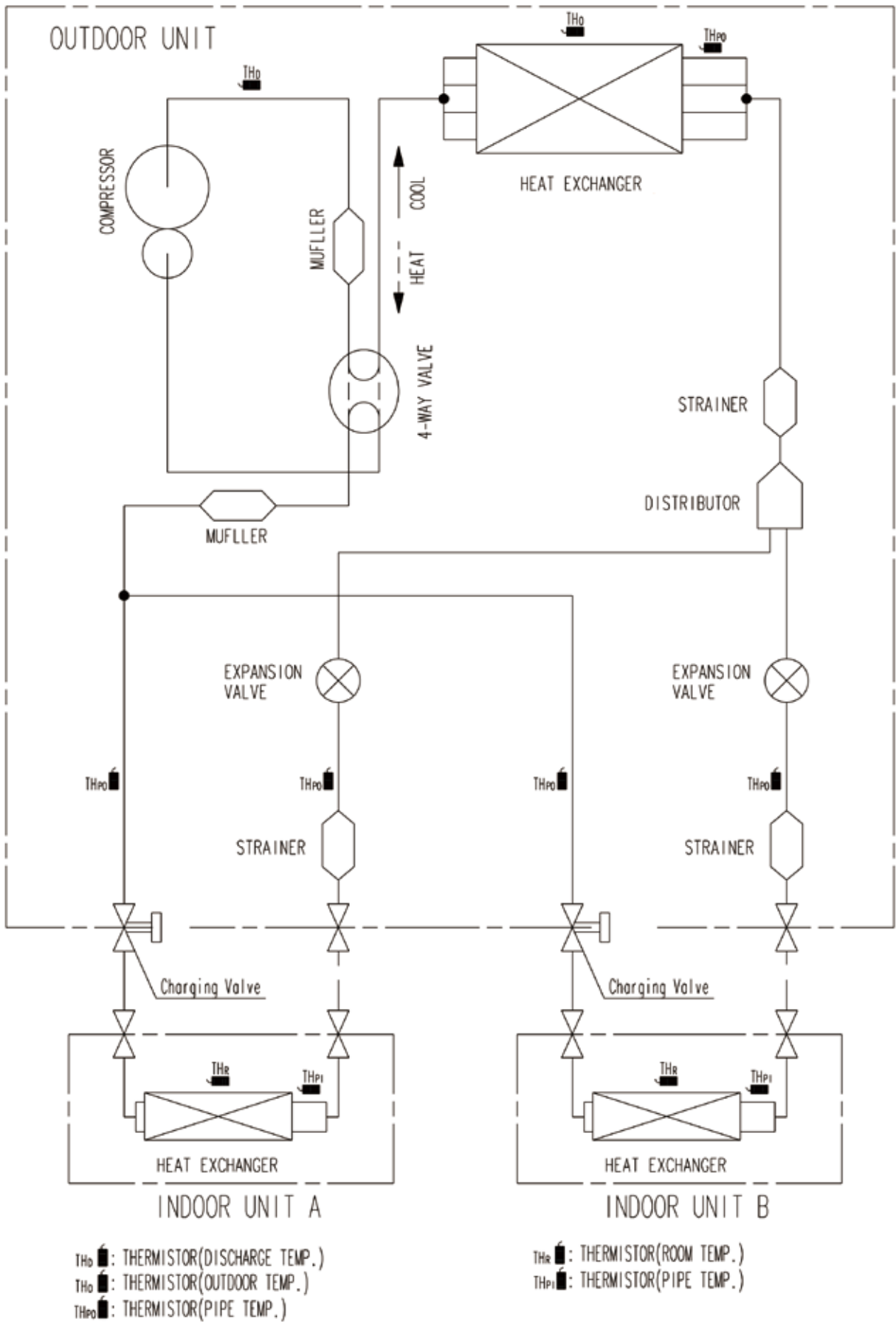
*If the space is larger that is stated, the condition will be the same as that are no obstacles.

3. REFRIGERANT CIRCUIT

■ MODEL: AO*G14L2

OUTDOOR UNIT
AO*G14-18L2

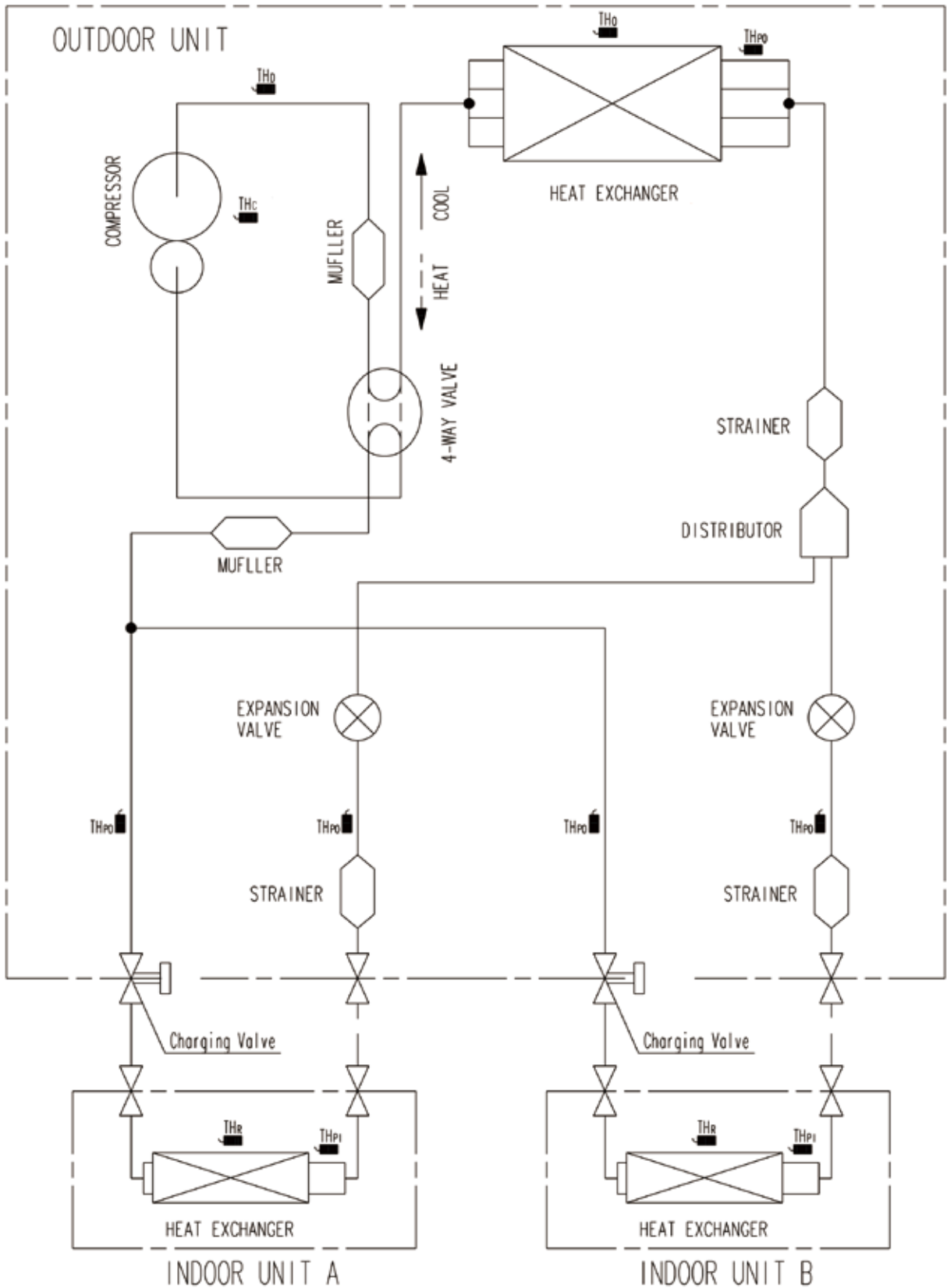
OUTDOOR UNIT
AO*G14-18L2



■ MODEL: AO*G18L2

OUTDOOR UNIT
AO*G14-18L2

OUTDOOR UNIT
AO*G14-18L2



TH_c ■: THERMISTOR (DISCHARGE TEMP.)
 TH_o ■: THERMISTOR (OUTDOOR TEMP.)
 TH_{ro} ■: THERMISTOR (PIPE TEMP.)

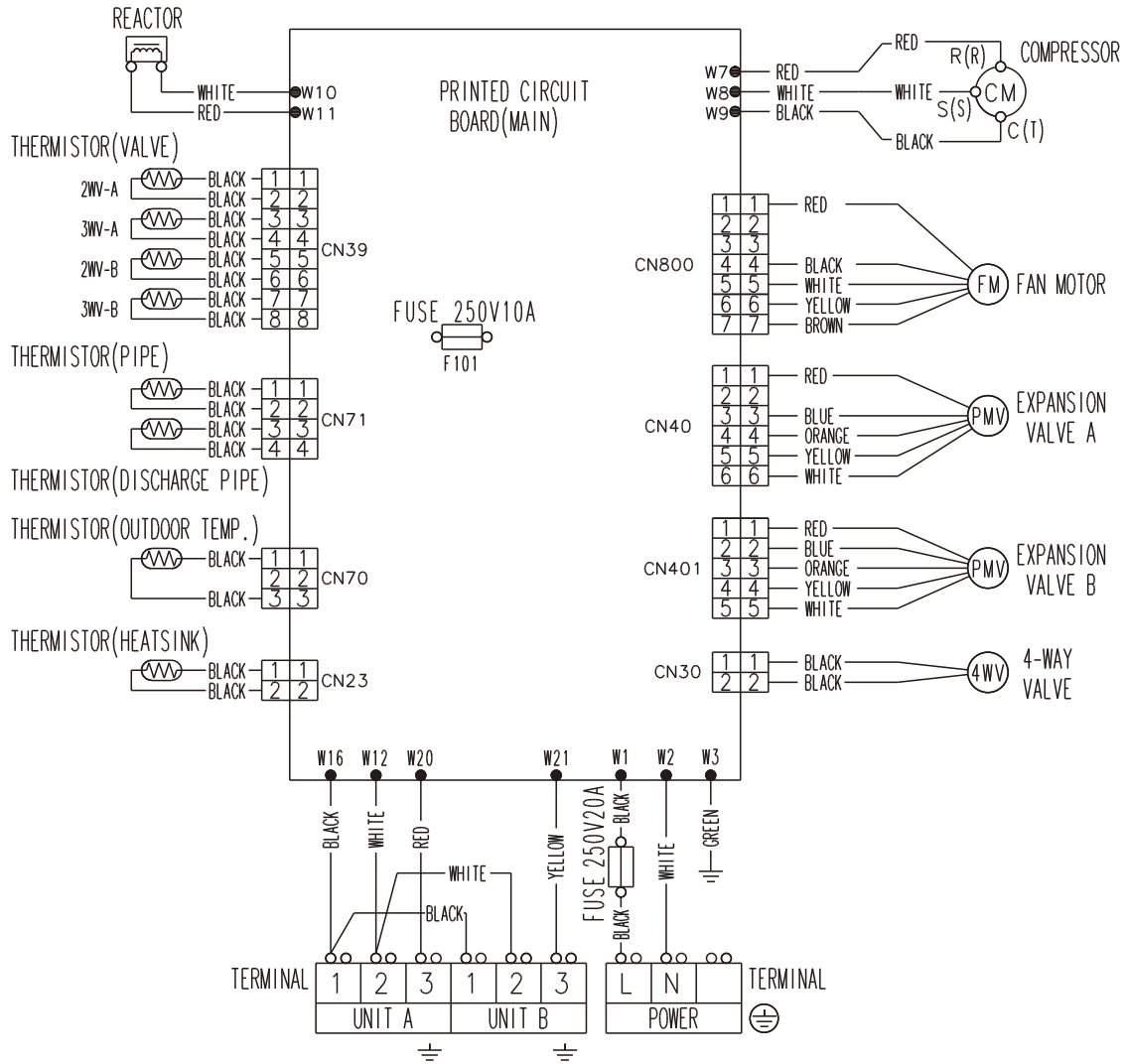
TH_r ■: THERMISTOR (ROOM TEMP.)
 TH_{p1} ■: THERMISTOR (PIPE TEMP.)
 TH_c ■: THERMISTOR (COMPRESSOR TEMP.)

4. WIRING DIAGRAMS

MODEL: AO*G14L2

OUTDOOR UNIT
AO*G14-18L2

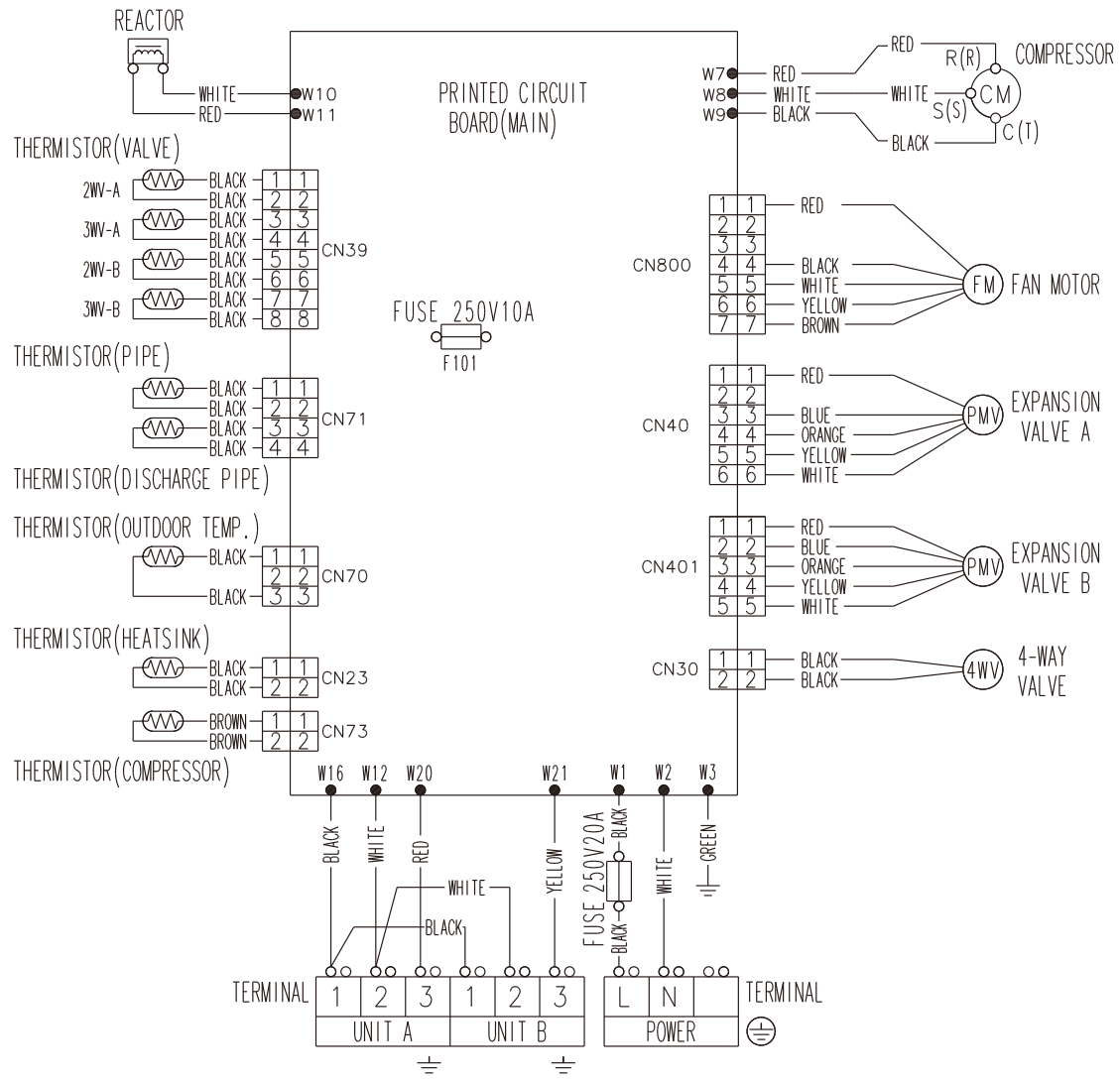
OUTDOOR UNIT
AO*G14-18L2



MODEL: AO*G18L2

OUTDOOR UNIT
AO*G14-18L2

OUTDOOR UNIT
AO*G14-18L2



5. CAPACITY TABLE

5-1. COMBINATIONS

■ MODEL: AO*G14L2

● Cooling

	Combination of Indoor Unit		COOLING OPERATION							
			Cooling Capacity			Input Power (min-max)	EER	Seasonal Data		
			Room 1	Room 2	Total Capacity (min-max)			Pdesign	SEER	Energy Efficiency Class
			kW	kW	kW	kW				
2 Room	7	7	2.00	2.00	4.00 (1.4 - 4.4)	1.09 (0.35 - 1.40)	3.67	4.0	6.7	A++
	7	9	1.95	2.05	4.00 (1.4 - 4.4)	1.09 (0.35 - 1.40)	3.67	4.0	6.6	A++
	7	12	1.65	2.35	4.00 (1.4 - 4.6)	1.05 (0.35 - 1.47)	3.81	4.0	6.5	A++
	9	9	2.00	2.00	4.00 (1.4 - 4.5)	1.09 (0.35 - 1.43)	3.67	4.0	6.6	A++
	9	12	1.70	2.30	4.00 (1.4 - 4.7)	1.05 (0.35 - 1.47)	3.81	4.0	6.5	A++

● Heating

	Combination of Indoor Unit		HEATING OPERATION							
			Heating Capacity			Input Power (min-max)	COP	Seasonal Data		
			Room 1	Room 2	Total Capacity (min-max)			Pdesign	SCOP	Energy Efficiency Class
			kW	kW	kW	kW				
2 Room	7	7	2.20	2.20	4.40 (1.1 - 5.4)	1.03 (0.25 - 1.78)	4.27	3.8	4.1	A+
	7	9	2.15	2.25	4.40 (1.1 - 5.4)	1.03 (0.25 - 1.78)	4.27	3.8	4.1	A+
	7	12	1.95	2.45	4.40 (1.1 - 5.5)	1.02 (0.25 - 1.76)	4.31	3.8	4.0	A+
	9	9	2.20	2.20	4.40 (1.1 - 5.4)	1.03 (0.25 - 1.78)	4.27	3.8	4.0	A+
	9	12	2.00	2.40	4.40 (1.1 - 5.5)	1.02 (0.25 - 1.76)	4.31	3.8	4.0	A+

Notes:

- 7: 7000Btu/h, 9: 9000Btu/h, 12: 12000Btu/h models.
- The above is the value for connecting with Wall Mounted type.
- 2 or more indoor units should be connected.
- Cooling capacity is based on 27 °CDB / 19 °CWB (indoor temperature), 35 °CDB (outdoor temperature).
- Heating capacity is based on 20 °CDB (indoor temperature), 7 °CDB / 6 °CWB (outdoor temperature).
- Pipe length :5m, Height difference :0m. (Outdoor unit to indoor unit)
- The total ability of connected a indoor unit is up to 21000 Btu from 14000 Btu.

MODEL: AO*G18L2

● Cooling

	Combination of Indoor Unit		COOLING OPERATION							
			Cooling Capacity			Input Power (min-max)	EER	Seasonal Data		
			Room 1	Room 2	Total Capacity (min-max)			Pdesign	SEER	Energy Efficiency Class
			kW	kW	kW	kW				
2 Room	7	7	2.10	2.10	4.20 (1.7 - 5.2)	1.24 (0.35 - 1.68)	3.39	4.2	7.0	A++
	7	9	2.10	2.50	4.60 (1.7 - 5.3)	1.26 (0.35 - 1.79)	3.65	4.6	6.8	A++
	7	12	1.90	3.10	5.00 (1.7 - 5.6)	1.55 (0.35 - 1.95)	3.23	5.0	6.5	A++
	7	14	1.80	3.20	5.00 (1.8 - 5.7)	1.55 (0.40 - 1.99)	3.23	5.0	6.5	A++
	9	9	2.50	2.50	5.00 (1.7 - 5.6)	1.56 (0.35 - 1.95)	3.21	5.0	6.6	A++
	9	12	2.10	2.90	5.00 (1.7 - 5.7)	1.55 (0.35 - 1.95)	3.23	5.0	6.5	A++
	9	14	2.00	3.00	5.00 (1.8 - 5.8)	1.55 (0.40 - 1.99)	3.23	5.0	6.4	A++
	12	12	2.50	2.50	5.00 (1.7 - 5.8)	1.56 (0.35 - 1.99)	3.21	5.0	6.4	A++

● Heating

	Combination of Indoor Unit		HEATING OPERATION							
			Heating Capacity			Input Power (min-max)	COP	Seasonal Data		
			Room 1	Room 2	Total Capacity (min-max)			Pdesign	SCOP	Energy Efficiency Class
			kW	kW	kW	kW				
2 Room	7	7	2.70	2.70	5.40 (1.8 - 6.0)	1.24 (0.50 - 1.61)	4.37	3.8	4.1	A+
	7	9	2.50	3.00	5.50 (1.8 - 6.0)	1.36 (0.50 - 1.87)	4.04	4.0	4.1	A+
	7	12	2.30	3.30	5.60 (1.8 - 6.1)	1.38 (0.50 - 1.88)	4.06	4.2	4.0	A+
	7	14	2.25	3.35	5.60 (1.9 - 6.2)	1.35 (0.55 - 1.86)	4.15	4.2	4.0	A+
	9	9	2.80	2.80	5.60 (1.8 - 6.1)	1.41 (0.50 - 1.90)	3.97	4.2	4.1	A+
	9	12	2.45	3.15	5.60 (1.8 - 6.2)	1.38 (0.50 - 1.88)	4.07	4.2	4.0	A+
	9	14	2.35	3.25	5.60 (1.9 - 6.3)	1.35 (0.55 - 1.86)	4.15	4.2	4.0	A+
	12	12	2.80	2.80	5.60 (1.8 - 6.3)	1.34 (0.50 - 1.84)	4.18	4.2	4.0	A+

Notes:

- 7: 7000Btu/h, 9: 9000Btu/h, 12: 12000Btu/h,14:14000Btu/h models.
- The above is the value for connecting with Wall Mounted type.
- 2 or more indoor units should be connected.
- Cooling capacity is based on 27 °CDB / 19 °CWB (indoor temperature), 35 °CDB (outdoor temperature).
- Heating capacity is based on 20 °CDB (indoor temperature), 7 °CDB / 6 °CWB (outdoor temperature).
- Pipe length :5m, Height difference :0m. (Outdoor unit to indoor unit)
- The total capacity of connected a indoor unit is up to 24000 Btu from 14000 Btu.
- Where "14" means "Wall Mounted type" only models. Other types of indoor units can not be connected.

5-2. COOLING CAPACITY

This table is created using the maximum capacity.

Note: 2 or more indoor units should be connected.

■ MODEL: AO*G14L2

● Indoor unit : 7000Btu

	°CDB	Indoor temperature																
		18°CDB		21°CDB		23°CDB		25°CDB		27°CDB		29°CDB		30°CDB		32°CDB		
		°CWB		12°CWB		15°CWB		16°CWB		18°CWB		19°CWB		21°CWB		22°CWB		23°CWB
7	Outdoor temperature (°CDB)	TC	IP	TC	IP	TC	IP	TC	IP	TC	IP	TC	IP	TC	IP	TC	IP	
		10	1.62	0.35	1.80	0.36	1.87	0.36	1.99	0.36	2.05	0.36	2.17	0.37	2.23	0.37	2.30	0.37
		15	1.51	0.40	1.68	0.40	1.74	0.40	1.85	0.41	1.91	0.41	2.03	0.41	2.08	0.42	2.14	0.42
		20	1.74	0.46	1.94	0.47	2.01	0.47	2.14	0.48	2.21	0.48	2.34	0.48	2.41	0.49	2.47	0.49
		25	1.79	0.47	2.00	0.47	2.06	0.47	2.20	0.48	2.27	0.48	2.40	0.49	2.47	0.49	2.54	0.49
		30	2.16	0.75	2.41	0.76	2.49	0.76	2.65	0.77	2.73	0.77	2.90	0.78	2.98	0.78	3.06	0.79
		35	2.13	0.73	2.38	0.74	2.46	0.75	2.62	0.76	2.70	0.76	2.86	0.77	2.94	0.77	3.02	0.78
		40	2.01	0.82	2.24	0.83	2.32	0.83	2.47	0.84	2.55	0.85	2.70	0.85	2.78	0.86	2.86	0.86
		46	1.93	0.93	2.15	0.95	2.23	0.95	2.37	0.96	2.45	0.97	2.59	0.98	2.67	0.98	2.74	0.98

● Indoor unit : 9000Btu

	°CDB	Indoor temperature																
		18°CDB		21°CDB		23°CDB		25°CDB		27°CDB		29°CDB		30°CDB		32°CDB		
		°CWB		12°CWB		15°CWB		16°CWB		18°CWB		19°CWB		21°CWB		22°CWB		23°CWB
9	Outdoor temperature (°CDB)	TC	IP	TC	IP	TC	IP	TC	IP	TC	IP	TC	IP	TC	IP	TC	IP	
		10	1.78	0.45	1.99	0.46	2.06	0.46	2.19	0.47	2.26	0.47	2.39	0.47	2.46	0.48	2.53	0.48
		15	1.65	0.50	1.84	0.51	1.91	0.51	2.03	0.52	2.09	0.52	2.22	0.52	2.28	0.53	2.35	0.53
		20	2.44	0.75	2.72	0.76	2.81	0.76	2.99	0.77	3.09	0.77	3.27	0.78	3.36	0.78	3.46	0.79
		25	2.46	0.75	2.74	0.76	2.84	0.77	3.02	0.77	3.12	0.78	3.30	0.78	3.40	0.79	3.49	0.79
		30	2.66	0.91	2.96	0.93	3.06	0.93	3.26	0.94	3.36	0.95	3.57	0.96	3.67	0.96	3.77	0.97
		35	2.53	0.99	2.82	1.01	2.91	1.01	3.10	1.02	3.20	1.03	3.39	1.04	3.49	1.04	3.58	1.05
		40	2.38	1.11	2.65	1.13	2.74	1.13	2.92	1.15	3.01	1.15	3.19	1.16	3.28	1.17	3.37	1.17
		46	2.23	1.06	2.49	1.08	2.57	1.09	2.74	1.10	2.82	1.10	2.99	1.11	3.08	1.12	3.16	1.12

● Indoor unit : 12000Btu

	°CDB	Indoor temperature																
		18°CDB		21°CDB		23°CDB		25°CDB		27°CDB		29°CDB		30°CDB		32°CDB		
		°CWB		12°CWB		15°CWB		16°CWB		18°CWB		19°CWB		21°CWB		22°CWB		23°CWB
12	Outdoor temperature (°CDB)	TC	IP	TC	IP	TC	IP	TC	IP	TC	IP	TC	IP	TC	IP	TC	IP	
		10	2.60	0.71	2.89	0.72	2.99	0.73	3.19	0.73	3.29	0.74	3.48	0.75	3.58	0.75	3.68	0.75
		15	2.65	0.65	2.95	0.66	3.05	0.66	3.25	0.67	3.35	0.67	3.55	0.68	3.65	0.68	3.75	0.69
		20	3.06	0.93	3.41	0.94	3.52	0.94	3.75	0.95	3.87	0.96	4.10	0.97	4.22	0.97	4.33	0.98
		25	2.90	1.02	3.23	1.04	3.34	1.04	3.56	1.05	3.67	1.06	3.89	1.07	4.00	1.07	4.11	1.08
		30	3.09	1.05	3.44	1.06	3.56	1.07	3.79	1.08	3.91	1.08	4.15	1.09	4.26	1.10	4.38	1.11
		35	2.92	1.17	3.26	1.19	3.37	1.19	3.59	1.20	3.70	1.21	3.92	1.22	4.03	1.23	4.14	1.23
		40	2.64	1.17	2.94	1.19	3.04	1.20	3.24	1.21	3.34	1.22	3.54	1.23	3.64	1.24	3.74	1.24
		46	2.37	1.06	2.64	1.08	2.73	1.08	2.91	1.10	3.00	1.10	3.18	1.11	3.27	1.12	3.36	1.12

● Indoor unit : 7000Btu + 7000Btu

	°CDB	Indoor temperature																
		18°CDB		21°CDB		23°CDB		25°CDB		27°CDB		29°CDB		30°CDB		32°CDB		
		°CWB		12°CWB		15°CWB		16°CWB		18°CWB		19°CWB		21°CWB		22°CWB		23°CWB
7-7	Outdoor temperature (°CDB)	TC	IP	TC	IP	TC	IP	TC	IP	TC	IP	TC	IP	TC	IP	TC	IP	
		10	3.22	0.73	3.59	0.74	3.71	0.74	3.96	0.75	4.08	0.75	4.33	0.76	4.45	0.76	4.57	0.77
		15	3.06	0.84	3.41	0.85	3.53	0.85	3.76	0.86	3.88	0.87	4.11	0.87	4.23	0.88	4.34	0.88
		20	3.47	1.05	3.87	1.07	4.00	1.07	4.27	1.08	4.40	1.09	4.66	1.10	4.79	1.11	4.93	1.11
		25	3.61	0.93	4.03	0.94	4.16	0.95	4.44	0.96	4.57	0.96	4.85	0.97	4.99	0.97	5.12	0.98
		30	3.68	1.19	4.10	1.21	4.24	1.21	4.52	1.23	4.66	1.23	4.94	1.24	5.08	1.25	5.22	1.26
		35	3.48	1.35	3.87	1.37	4.00	1.38	4.27	1.39	4.40	1.40	4.66	1.41	4.80	1.42	4.93	1.43
		40	3.05	1.31	3.39	1.33	3.51	1.34	3.74	1.35	3.86	1.36	4.09	1.37	4.20	1.38	4.32	1.39
		46	2.61	1.11	2.90	1.13	3.00	1.14	3.20	1.15	3.30	1.15	3.50	1.17	3.59	1.17	3.69	1.18

TC : Total Capacity (kW)
IP : Input Power (kW)

OUTDOOR UNIT
AO*G14-18L2

OUTDOOR UNIT
AO*G14-18L2

● Indoor unit : 7000Btu + 9000Btu

		Indoor temperature																				
		18°CDB		21°CDB		23°CDB		25°CDB		27°CDB		29°CDB		30°CDB		32°CDB						
		°CDB		°CWB		12°CWB		15°CWB		16°CWB		18°CWB		19°CWB		21°CWB		22°CWB		23°CWB		
7+9	Outdoor temperature	(°CDB)	TC	IP	TC	IP	TC	IP	TC	IP	TC	IP	TC	IP	TC	IP	TC	IP	TC	IP		
		10	3.39	0.86	3.78	0.87	3.91	0.88	4.16	0.88	4.29	0.89	4.55	0.90	4.68	0.90	4.81	0.91	4.81	0.91	4.81	0.91
		15	3.22	0.98	3.59	0.99	3.71	1.00	3.96	1.01	4.08	1.01	4.32	1.02	4.45	1.03	4.57	1.03	4.57	1.03	4.57	1.03
		20	4.05	0.97	4.51	0.98	4.66	0.99	4.97	1.00	5.12	1.00	5.43	1.01	5.58	1.02	5.74	1.02	5.74	1.02	5.74	1.02
		25	3.91	1.05	4.36	1.06	4.51	1.07	4.80	1.08	4.95	1.09	5.25	1.10	5.40	1.10	5.55	1.11	5.55	1.11	5.55	1.11
		30	3.60	1.16	4.01	1.17	4.15	1.18	4.42	1.19	4.56	1.20	4.83	1.21	4.97	1.22	5.10	1.22	5.10	1.22	5.10	1.22
		35	3.48	1.35	3.87	1.37	4.00	1.38	4.27	1.39	4.40	1.40	4.66	1.41	4.80	1.42	4.93	1.43	4.93	1.43	4.93	1.43
		40	3.05	1.31	3.40	1.33	3.51	1.34	3.74	1.35	3.86	1.36	4.09	1.37	4.21	1.38	4.32	1.39	4.32	1.39	4.32	1.39
		46	2.61	1.11	2.90	1.13	3.00	1.14	3.20	1.15	3.30	1.15	3.50	1.16	3.60	1.17	3.70	1.18	3.70	1.18	3.70	1.18

● Indoor unit : 7000Btu + 12000Btu

		Indoor temperature																				
		18°CDB		21°CDB		23°CDB		25°CDB		27°CDB		29°CDB		30°CDB		32°CDB						
		°CDB		°CWB		12°CWB		15°CWB		16°CWB		18°CWB		19°CWB		21°CWB		22°CWB		23°CWB		
7+12	Outdoor temperature	(°CDB)	TC	IP	TC	IP	TC	IP	TC	IP	TC	IP	TC	IP	TC	IP	TC	IP	TC	IP		
		10	3.58	1.04	3.99	1.06	4.12	1.07	4.40	1.08	4.53	1.08	4.80	1.09	4.94	1.10	5.08	1.10	5.08	1.10	5.08	1.10
		15	3.72	0.97	4.14	0.99	4.28	0.99	4.57	1.00	4.71	1.01	4.99	1.02	5.13	1.02	5.27	1.03	5.27	1.03	5.27	1.03
		20	4.23	1.01	4.71	1.03	4.87	1.03	5.19	1.04	5.35	1.05	5.67	1.06	5.83	1.07	6.00	1.07	6.00	1.07	6.00	1.07
		25	4.08	1.09	4.55	1.11	4.70	1.11	5.01	1.12	5.17	1.13	5.48	1.14	5.63	1.15	5.79	1.15	5.79	1.15	5.79	1.15
		30	3.85	1.24	4.29	1.26	4.44	1.27	4.73	1.28	4.88	1.29	5.17	1.30	5.32	1.31	5.46	1.31	5.46	1.31	5.46	1.31
		35	3.63	1.42	4.05	1.44	4.19	1.45	4.46	1.46	4.60	1.47	4.88	1.48	5.01	1.49	5.15	1.50	5.15	1.50	5.15	1.50
		40	3.14	1.35	3.50	1.37	3.62	1.38	3.86	1.39	3.98	1.40	4.22	1.41	4.34	1.42	4.46	1.43	4.46	1.43	4.46	1.43
		46	2.68	1.16	2.99	1.18	3.09	1.19	3.29	1.20	3.39	1.20	3.60	1.22	3.70	1.22	3.80	1.23	3.80	1.23	3.80	1.23

● Indoor unit : 9000Btu + 9000Btu

		Indoor temperature																				
		18°CDB		21°CDB		23°CDB		25°CDB		27°CDB		29°CDB		30°CDB		32°CDB						
		°CDB		°CWB		12°CWB		15°CWB		16°CWB		18°CWB		19°CWB		21°CWB		22°CWB		23°CWB		
9+9	Outdoor temperature	(°CDB)	TC	IP	TC	IP	TC	IP	TC	IP	TC	IP	TC	IP	TC	IP	TC	IP	TC	IP		
		10	3.62	1.02	4.03	1.04	4.17	1.04	4.45	1.05	4.59	1.06	4.86	1.07	5.00	1.07	5.14	1.08	5.14	1.08	5.14	1.08
		15	3.76	0.95	4.19	0.96	4.33	0.97	4.62	0.98	4.76	0.98	5.04	0.99	5.19	1.00	5.33	1.00	5.33	1.00	5.33	1.00
		20	4.14	0.99	4.61	1.01	4.77	1.01	5.08	1.02	5.24	1.03	5.55	1.04	5.71	1.04	5.87	1.05	5.87	1.05	5.87	1.05
		25	4.00	1.07	4.46	1.09	4.61	1.09	4.91	1.10	5.07	1.11	5.37	1.12	5.52	1.13	5.67	1.13	5.67	1.13	5.67	1.13
		30	3.68	1.18	4.10	1.20	4.24	1.20	4.52	1.22	4.66	1.22	4.94	1.24	5.08	1.24	5.22	1.25	5.22	1.25	5.22	1.25
		35	3.55	1.38	3.96	1.40	4.09	1.41	4.36	1.42	4.50	1.43	4.77	1.44	4.90	1.45	5.04	1.46	5.04	1.46	5.04	1.46
		40	3.12	1.34	3.47	1.36	3.59	1.37	3.83	1.38	3.95	1.39	4.18	1.40	4.30	1.41	4.42	1.41	4.42	1.41	4.42	1.41
		46	2.67	1.14	2.97	1.15	3.07	1.16	3.27	1.17	3.38	1.18	3.58	1.19	3.68	1.20	3.78	1.20	3.78	1.20	3.78	1.20

● Indoor unit : 9000Btu + 12000Btu

		Indoor temperature																				
		18°CDB		21°CDB		23°CDB		25°CDB		27°CDB		29°CDB		30°CDB		32°CDB						
		°CDB		°CWB		12°CWB		15°CWB		16°CWB		18°CWB		19°CWB		21°CWB		22°CWB		23°CWB		
9+12	Outdoor temperature	(°CDB)	TC	IP	TC	IP	TC	IP	TC	IP	TC	IP	TC	IP	TC	IP	TC	IP	TC	IP		
		10	4.36	1.07	4.86	1.09	5.03	1.09	5.36	1.10	5.52	1.11	5.85	1.12	6.02	1.13	6.19	1.13	6.19	1.13	6.19	1.13
		15	4.11	1.18	4.58	1.20	4.74	1.20	5.05	1.22	5.21	1.22	5.52	1.23	5.67	1.24	5.83	1.25	5.83	1.25	5.83	1.25
		20	4.32	1.01	4.82	1.02	4.98	1.03	5.31	1.04	5.47	1.05	5.80	1.06	5.96	1.06	6.13	1.07	6.13	1.07	6.13	1.07
		25	4.18	1.09	4.65	1.11	4.81	1.12	5.13	1.13	5.29	1.13	5.61	1.15	5.77	1.15	5.92	1.16	5.92	1.16	5.92	1.16
		30	3.94	1.24	4.39	1.26	4.54	1.27	4.83	1.28	4.98	1.29	5.28	1.30	5.43	1.31	5.58	1.31	5.58	1.31	5.58	1.31
		35	3.71	1.42	4.14	1.44	4.28	1.45	4.56	1.46	4.70	1.47	4.98	1.48	5.12	1.49	5.26	1.50	5.26	1.50	5.26	1.50
		40	3.21	1.35	3.58	1.37	3.70	1.38	3.94	1.39	4.07	1.40	4.31	1.41	4.43	1.42	4.55	1.43	4.55	1.43	4.55	1.43
		46	2.74	1.16	3.05	1.18	3.16	1.19	3.36	1.20	3.47	1.20	3.68	1.22	3.78	1.22	3.88	1.23	3.88	1.23	3.88	1.23

TC : Total Capacity (kW)
IP : Input Power (kW)

Note: 2 or more indoor units should be connected.

MODEL: AO*G18L2

● Indoor unit : 7000Btu

	Indoor temperature																	
	°CDB		18°CDB		21°CDB		23°CDB		25°CDB		27°CDB		29°CDB		30°CDB		32°CDB	
	°CWB		12°CWB		15°CWB		16°CWB		18°CWB		19°CWB		21°CWB		22°CWB		23°CWB	
7	Outdoor temperature	(°CDB)	TC	IP	TC	IP	TC	IP	TC	IP	TC	IP	TC	IP	TC	IP	TC	IP
		10	2.04	0.35	2.27	0.35	2.35	0.36	2.51	0.36	2.58	0.36	2.74	0.37	2.82	0.37	2.89	0.37
		15	2.07	0.35	2.30	0.36	2.38	0.36	2.54	0.36	2.62	0.36	2.77	0.37	2.85	0.37	2.93	0.37
		20	2.27	0.47	2.53	0.48	2.62	0.48	2.79	0.48	2.88	0.49	3.05	0.49	3.14	0.49	3.22	0.50
		25	2.00	0.60	2.23	0.61	2.30	0.62	2.45	0.62	2.53	0.62	2.68	0.63	2.76	0.63	2.83	0.64
		30	2.27	0.61	2.52	0.62	2.61	0.62	2.78	0.63	2.87	0.63	3.04	0.64	3.13	0.64	3.21	0.64
		35	2.13	0.69	2.38	0.71	2.46	0.71	2.62	0.72	2.70	0.72	2.86	0.73	2.94	0.73	3.02	0.73
		40	1.96	0.77	2.18	0.78	2.26	0.79	2.40	0.79	2.48	0.80	2.63	0.81	2.70	0.81	2.78	0.81
46	1.83	0.87	2.04	0.88	2.11	0.89	2.25	0.90	2.32	0.90	2.45	0.91	2.52	0.92	2.59	0.92		

● Indoor unit : 9000Btu

	Indoor temperature																	
	°CDB		18°CDB		21°CDB		23°CDB		25°CDB		27°CDB		29°CDB		30°CDB		32°CDB	
	°CWB		12°CWB		15°CWB		16°CWB		18°CWB		19°CWB		21°CWB		22°CWB		23°CWB	
9	Outdoor temperature	(°CDB)	TC	IP	TC	IP	TC	IP	TC	IP	TC	IP	TC	IP	TC	IP	TC	IP
		10	2.39	0.40	2.66	0.41	2.75	0.41	2.94	0.42	3.03	0.42	3.21	0.42	3.30	0.43	3.39	0.43
		15	2.37	0.41	2.64	0.41	2.73	0.41	2.91	0.42	3.00	0.42	3.18	0.42	3.27	0.43	3.36	0.43
		20	2.62	0.53	2.91	0.54	3.01	0.54	3.21	0.54	3.31	0.55	3.51	0.55	3.61	0.56	3.71	0.56
		25	2.48	0.58	2.76	0.59	2.86	0.60	3.04	0.60	3.14	0.61	3.33	0.61	3.42	0.61	3.52	0.62
		30	2.63	0.87	2.93	0.88	3.03	0.88	3.23	0.89	3.33	0.90	3.53	0.91	3.63	0.91	3.73	0.92
		35	2.53	1.01	2.82	1.03	2.91	1.03	3.10	1.04	3.20	1.05	3.39	1.06	3.49	1.07	3.58	1.07
		40	2.33	1.08	2.59	1.10	2.68	1.10	2.86	1.11	2.94	1.12	3.12	1.13	3.21	1.14	3.30	1.14
46	2.25	1.18	2.51	1.20	2.60	1.20	2.77	1.22	2.85	1.22	3.02	1.23	3.11	1.24	3.19	1.25		

● Indoor unit : 12000Btu

	Indoor temperature																	
	°CDB		18°CDB		21°CDB		23°CDB		25°CDB		27°CDB		29°CDB		30°CDB		32°CDB	
	°CWB		12°CWB		15°CWB		16°CWB		18°CWB		19°CWB		21°CWB		22°CWB		23°CWB	
12	Outdoor temperature	(°CDB)	TC	IP	TC	IP	TC	IP	TC	IP	TC	IP	TC	IP	TC	IP	TC	IP
		10	2.81	0.57	3.13	0.58	3.23	0.58	3.45	0.59	3.55	0.59	3.76	0.60	3.87	0.60	3.98	0.61
		15	2.82	0.57	3.14	0.57	3.25	0.58	3.47	0.58	3.57	0.59	3.79	0.59	3.90	0.59	4.00	0.60
		20	3.23	0.79	3.59	0.80	3.72	0.81	3.96	0.81	4.09	0.82	4.33	0.83	4.45	0.83	4.58	0.83
		25	2.67	0.86	2.97	0.88	3.07	0.88	3.28	0.89	3.38	0.89	3.58	0.90	3.68	0.91	3.78	0.91
		30	3.10	1.14	3.45	1.16	3.57	1.17	3.80	1.18	3.92	1.18	4.15	1.19	4.27	1.20	4.39	1.21
		35	2.92	1.29	3.26	1.31	3.37	1.32	3.59	1.33	3.70	1.34	3.92	1.35	4.03	1.36	4.14	1.37
		40	2.66	1.37	2.96	1.39	3.06	1.40	3.26	1.42	3.36	1.42	3.57	1.44	3.67	1.44	3.77	1.45
46	2.39	1.25	2.66	1.27	2.75	1.28	2.93	1.29	3.02	1.30	3.20	1.31	3.29	1.32	3.39	1.33		

● Indoor unit : 14000Btu

	Indoor temperature																	
	°CDB		18°CDB		21°CDB		23°CDB		25°CDB		27°CDB		29°CDB		30°CDB		32°CDB	
	°CWB		12°CWB		15°CWB		16°CWB		18°CWB		19°CWB		21°CWB		22°CWB		23°CWB	
14	Outdoor temperature	(°CDB)	TC	IP	TC	IP	TC	IP	TC	IP	TC	IP	TC	IP	TC	IP	TC	IP
		10	3.61	0.69	4.03	0.71	4.16	0.71	4.44	0.72	4.57	0.72	4.85	0.73	4.99	0.73	5.12	0.73
		15	4.08	0.82	4.54	0.84	4.70	0.84	5.01	0.85	5.16	0.85	5.47	0.86	5.63	0.87	5.78	0.87
		20	3.96	0.91	4.41	0.93	4.56	0.93	4.86	0.94	5.01	0.95	5.31	0.96	5.46	0.96	5.61	0.97
		25	3.79	1.09	4.22	1.11	4.36	1.12	4.65	1.13	4.79	1.13	5.08	1.14	5.22	1.15	5.37	1.16
		30	4.03	1.54	4.49	1.56	4.65	1.57	4.95	1.59	5.11	1.60	5.41	1.61	5.57	1.62	5.72	1.63
		35	3.79	1.72	4.22	1.74	4.37	1.75	4.66	1.77	4.80	1.78	5.09	1.80	5.23	1.81	5.38	1.82
		40	3.30	1.55	3.67	1.58	3.80	1.59	4.05	1.60	4.18	1.61	4.43	1.63	4.55	1.63	4.68	1.64
46	2.73	1.21	3.04	1.23	3.14	1.24	3.35	1.25	3.45	1.26	3.66	1.27	3.76	1.28	3.87	1.28		

TC : Total Capacity (kW)
IP : Input Power (kW)

● Indoor unit : 7000Btu + 7000Btu

	Indoor temperature																		
	°CDB		18°CDB		21°CDB		23°CDB		25°CDB		27°CDB		29°CDB		30°CDB		32°CDB		
	°CWB		12°CWB		15°CWB		16°CWB		18°CWB		19°CWB		21°CWB		22°CWB		23°CWB		
7+7	°(CDB)		TC	IP	TC	IP	TC	IP	TC	IP	TC	IP	TC	IP	TC	IP	TC	IP	
	10	3.65	0.57	4.07	0.58	4.21	0.58	4.49	0.59	4.62	0.59	4.90	0.60	5.04	0.60	5.18	0.60		
	15	3.68	0.53	4.10	0.54	4.24	0.54	4.52	0.55	4.66	0.55	4.94	0.56	5.08	0.56	5.22	0.56		
	20	4.38	0.89	4.88	0.91	5.05	0.91	5.38	0.92	5.55	0.93	5.88	0.94	6.04	0.94	6.21	0.95		
	25	4.20	1.01	4.68	1.03	4.84	1.03	5.16	1.04	5.31	1.05	5.63	1.06	5.79	1.06	5.95	1.07		
	30	4.36	1.43	4.85	1.45	5.02	1.46	5.35	1.48	5.51	1.48	5.85	1.50	6.01	1.51	6.18	1.51		
	35	4.11	1.62	4.58	1.64	4.73	1.65	5.04	1.67	5.20	1.68	5.51	1.69	5.67	1.70	5.82	1.71		
	40	3.46	1.45	3.86	1.47	3.99	1.48	4.25	1.50	4.38	1.50	4.65	1.52	4.78	1.53	4.91	1.53		
	46	2.60	1.26	2.89	1.28	2.99	1.29	3.19	1.30	3.29	1.31	3.48	1.32	3.58	1.33	3.68	1.34		

● Indoor unit : 7000Btu + 9000Btu

	Indoor temperature																		
	°CDB		18°CDB		21°CDB		23°CDB		25°CDB		27°CDB		29°CDB		30°CDB		32°CDB		
	°CWB		12°CWB		15°CWB		16°CWB		18°CWB		19°CWB		21°CWB		22°CWB		23°CWB		
7+9	°(CDB)		TC	IP	TC	IP	TC	IP	TC	IP	TC	IP	TC	IP	TC	IP	TC	IP	
	10	3.93	0.71	4.38	0.72	4.53	0.73	4.83	0.73	4.98	0.74	5.28	0.75	5.43	0.75	5.58	0.75		
	15	4.12	0.63	4.59	0.64	4.75	0.64	5.06	0.65	5.22	0.65	5.53	0.66	5.69	0.66	5.85	0.66		
	20	4.82	1.08	5.37	1.10	5.55	1.10	5.92	1.11	6.10	1.12	6.47	1.13	6.65	1.14	6.84	1.14		
	25	4.55	1.23	5.07	1.24	5.24	1.25	5.59	1.26	5.76	1.27	6.10	1.28	6.28	1.29	6.45	1.30		
	30	4.36	1.51	4.86	1.53	5.02	1.54	5.35	1.56	5.52	1.57	5.85	1.58	6.02	1.59	6.18	1.60		
	35	4.19	1.73	4.66	1.75	4.82	1.76	5.14	1.78	5.30	1.79	5.62	1.81	5.78	1.82	5.94	1.83		
	40	3.49	1.52	3.89	1.54	4.02	1.55	4.28	1.57	4.42	1.58	4.68	1.59	4.82	1.60	4.95	1.61		
	46	2.60	1.28	2.89	1.30	2.99	1.30	3.19	1.32	3.29	1.32	3.49	1.34	3.58	1.34	4.05	1.35		

● Indoor unit : 7000Btu + 12000Btu

	Indoor temperature																		
	°CDB		18°CDB		21°CDB		23°CDB		25°CDB		27°CDB		29°CDB		30°CDB		32°CDB		
	°CWB		12°CWB		15°CWB		16°CWB		18°CWB		19°CWB		21°CWB		22°CWB		23°CWB		
7+12	°(CDB)		TC	IP	TC	IP	TC	IP	TC	IP	TC	IP	TC	IP	TC	IP	TC	IP	
	10	4.07	0.87	4.54	0.88	4.69	0.89	5.00	0.90	5.16	0.90	5.46	0.91	5.62	0.92	5.77	0.92		
	15	4.60	0.81	5.13	0.82	5.30	0.83	5.65	0.84	5.82	0.84	6.17	0.85	6.35	0.85	6.52	0.86		
	20	5.20	1.23	5.79	1.25	5.99	1.26	6.39	1.27	6.58	1.28	6.98	1.29	7.18	1.30	7.37	1.30		
	25	4.96	1.41	5.53	1.43	5.71	1.44	6.09	1.45	6.28	1.46	6.66	1.48	6.84	1.48	7.03	1.49		
	30	4.80	1.74	5.34	1.77	5.53	1.77	5.89	1.79	6.07	1.80	6.44	1.82	6.62	1.83	6.80	1.84		
	35	4.42	1.88	4.93	1.91	5.09	1.92	5.43	1.94	5.60	1.95	5.93	1.97	6.10	1.98	6.27	1.99		
	40	3.53	1.49	3.93	1.51	4.07	1.52	4.34	1.54	4.47	1.54	4.74	1.56	4.87	1.57	5.01	1.57		
	46	2.62	1.30	2.92	1.32	3.02	1.32	3.22	1.34	3.32	1.34	3.52	1.36	3.62	1.36	3.72	1.37		

● Indoor unit : 7000Btu + 14000Btu

	Indoor temperature																		
	°CDB		18°CDB		21°CDB		23°CDB		25°CDB		27°CDB		29°CDB		30°CDB		32°CDB		
	°CWB		12°CWB		15°CWB		16°CWB		18°CWB		19°CWB		21°CWB		22°CWB		23°CWB		
7+14	°(CDB)		TC	IP	TC	IP	TC	IP	TC	IP	TC	IP	TC	IP	TC	IP	TC	IP	
	10	5.29	0.90	5.89	0.92	6.09	0.92	6.49	0.93	6.69	0.93	7.10	0.94	7.30	0.95	7.50	0.95		
	15	5.01	1.04	5.58	1.05	5.77	1.06	6.15	1.07	6.34	1.07	6.72	1.08	6.91	1.09	7.10	1.10		
	20	5.33	1.33	5.94	1.35	6.14	1.36	6.54	1.37	6.75	1.38	7.15	1.39	7.35	1.40	7.56	1.41		
	25	5.08	1.52	5.66	1.54	5.86	1.55	6.24	1.56	6.44	1.57	6.82	1.59	7.02	1.60	7.21	1.60		
	30	4.83	1.77	5.38	1.80	5.57	1.81	5.93	1.83	6.12	1.84	6.49	1.85	6.67	1.86	6.85	1.87		
	35	4.50	1.92	5.02	1.95	5.19	1.96	5.53	1.98	5.70	1.99	6.04	2.01	6.21	2.02	6.38	2.03		
	40	3.53	1.51	3.93	1.53	4.07	1.54	4.33	1.56	4.47	1.57	4.74	1.58	4.87	1.59	5.00	1.60		
	46	2.62	1.31	2.92	1.33	3.02	1.34	3.22	1.35	3.32	1.36	3.52	1.37	3.62	1.38	3.72	1.39		

TC : Total Capacity (kW)
IP : Input Power (kW)

● Indoor unit : 9000Btu + 9000Btu

		Indoor temperature																		
		°CDB		18°CDB		21°CDB		23°CDB		25°CDB		27°CDB		29°CDB		30°CDB		32°CDB		
		°CWB		12°CWB		15°CWB		16°CWB		18°CWB		19°CWB		21°CWB		22°CWB		23°CWB		
9+9	Outdoor temperature	(°CDB)	TC	IP	TC	IP	TC	IP	TC	IP	TC	IP	TC	IP	TC	IP	TC	IP	TC	IP
		10	3.96	0.86	4.41	0.88	4.56	0.88	4.86	0.89	5.01	0.89	5.31	0.90	5.46	0.91	5.61	0.91	5.61	0.91
		15	4.37	0.78	4.87	0.79	5.04	0.79	5.37	0.80	5.53	0.81	5.87	0.81	6.03	0.82	6.20	0.82	6.20	0.82
		20	4.92	1.20	5.48	1.22	5.67	1.22	6.05	1.23	6.23	1.24	6.61	1.25	6.79	1.26	6.98	1.27	6.98	1.27
		25	4.69	1.37	5.22	1.39	5.40	1.40	5.75	1.41	5.93	1.42	6.29	1.43	6.47	1.44	6.64	1.45	6.64	1.45
		30	4.54	1.71	5.05	1.74	5.22	1.75	5.57	1.76	5.74	1.77	6.09	1.79	6.26	1.80	6.43	1.81	6.43	1.81
		35	4.42	1.88	4.93	1.91	5.09	1.92	5.43	1.94	5.60	1.95	5.93	1.97	6.10	1.98	6.27	1.99	6.27	1.99
		40	3.52	1.48	3.92	1.50	4.05	1.51	4.32	1.52	4.45	1.53	4.72	1.54	4.86	1.55	4.99	1.56	4.99	1.56
46	2.60	1.29	2.90	1.31	3.00	1.31	3.19	1.33	3.29	1.33	3.49	1.35	3.59	1.35	3.69	1.36	3.69	1.36		

● Indoor unit : 9000Btu + 12000Btu

		Indoor temperature																		
		°CDB		18°CDB		21°CDB		23°CDB		25°CDB		27°CDB		29°CDB		30°CDB		32°CDB		
		°CWB		12°CWB		15°CWB		16°CWB		18°CWB		19°CWB		21°CWB		22°CWB		23°CWB		
9+12	Outdoor temperature	(°CDB)	TC	IP	TC	IP	TC	IP	TC	IP	TC	IP	TC	IP	TC	IP	TC	IP	TC	IP
		10	5.32	0.89	5.92	0.90	6.12	0.91	6.53	0.92	6.73	0.92	7.13	0.93	7.34	0.93	7.54	0.94	7.54	0.94
		15	5.03	1.02	5.60	1.04	5.80	1.04	6.18	1.05	6.37	1.06	6.75	1.07	6.94	1.07	7.13	1.08	7.13	1.08
		20	5.32	1.31	5.93	1.33	6.13	1.33	6.54	1.35	6.74	1.36	7.14	1.37	7.34	1.38	7.55	1.38	7.55	1.38
		25	5.07	1.49	5.65	1.51	5.84	1.52	6.23	1.54	6.42	1.54	6.81	1.56	7.00	1.57	7.19	1.57	7.19	1.57
		30	4.82	1.74	5.37	1.76	5.55	1.77	5.92	1.79	6.10	1.80	6.47	1.82	6.65	1.83	6.83	1.84	6.83	1.84
		35	4.50	1.88	5.02	1.91	5.19	1.92	5.53	1.94	5.70	1.95	6.04	1.97	6.21	1.98	6.38	1.99	6.38	1.99
		40	3.55	1.49	3.95	1.51	4.08	1.52	4.35	1.53	4.49	1.54	4.76	1.56	4.89	1.56	5.03	1.57	5.03	1.57
46	2.66	1.29	2.96	1.31	3.06	1.32	3.26	1.33	3.36	1.34	3.56	1.35	3.67	1.36	3.77	1.37	3.77	1.37		

● Indoor unit : 9000Btu + 14000Btu

		Indoor temperature																		
		°CDB		18°CDB		21°CDB		23°CDB		25°CDB		27°CDB		29°CDB		30°CDB		32°CDB		
		°CWB		12°CWB		15°CWB		16°CWB		18°CWB		19°CWB		21°CWB		22°CWB		23°CWB		
9+14	Outdoor temperature	(°CDB)	TC	IP	TC	IP	TC	IP	TC	IP	TC	IP	TC	IP	TC	IP	TC	IP	TC	IP
		10	5.59	1.02	6.23	1.03	6.44	1.04	6.87	1.05	7.08	1.06	7.5	1.07	7.72	1.07	7.93	1.08	7.93	1.08
		15	5.28	1.15	5.88	1.16	6.08	1.17	6.48	1.18	6.68	1.19	7.08	1.20	7.28	1.21	7.48	1.21	7.48	1.21
		20	5.49	1.38	6.11	1.40	6.32	1.41	6.74	1.43	6.94	1.43	7.36	1.45	7.57	1.45	7.78	1.46	7.78	1.46
		25	5.23	1.57	5.83	1.60	6.03	1.61	6.43	1.62	6.62	1.63	7.02	1.65	7.22	1.66	7.42	1.66	7.42	1.66
		30	4.91	1.77	5.47	1.80	5.66	1.81	6.03	1.83	6.22	1.84	6.59	1.85	6.78	1.86	6.96	1.87	6.96	1.87
		35	4.58	1.92	5.10	1.95	5.28	1.96	5.63	1.98	5.80	1.99	6.15	2.01	6.32	2.02	6.50	2.03	6.50	2.03
		40	3.57	1.51	3.98	1.53	4.11	1.54	4.39	1.56	4.52	1.57	4.79	1.58	4.93	1.59	5.06	1.60	5.06	1.60
46	2.66	1.31	2.96	1.33	3.06	1.34	3.26	1.35	3.36	1.36	3.56	1.37	3.66	1.38	3.77	1.39	3.77	1.39		

● Indoor unit : 12000Btu + 12000Btu

		Indoor temperature																		
		°CDB		18°CDB		21°CDB		23°CDB		25°CDB		27°CDB		29°CDB		30°CDB		32°CDB		
		°CWB		12°CWB		15°CWB		16°CWB		18°CWB		19°CWB		21°CWB		22°CWB		23°CWB		
12+12	Outdoor temperature	(°CDB)	TC	IP	TC	IP	TC	IP	TC	IP	TC	IP	TC	IP	TC	IP	TC	IP	TC	IP
		10	5.60	1.02	6.23	1.04	6.45	1.04	6.87	1.05	7.08	1.06	7.51	1.07	7.72	1.07	7.94	1.08	7.94	1.08
		15	5.28	1.15	5.88	1.17	6.08	1.17	6.48	1.18	6.68	1.19	7.08	1.20	7.28	1.21	7.49	1.21	7.49	1.21
		20	5.49	1.38	6.11	1.40	6.32	1.41	6.73	1.43	6.94	1.43	7.36	1.45	7.57	1.45	7.78	1.46	7.78	1.46
		25	5.23	1.57	5.83	1.60	6.02	1.61	6.42	1.62	6.62	1.63	7.02	1.65	7.22	1.66	7.41	1.66	7.41	1.66
		30	4.91	1.77	5.47	1.80	5.66	1.81	6.03	1.83	6.22	1.83	6.59	1.85	6.78	1.86	6.97	1.87	6.97	1.87
		35	4.58	1.92	5.10	1.95	5.28	1.96	5.63	1.98	5.80	1.99	6.15	2.01	6.32	2.02	6.50	2.03	6.50	2.03
		40	3.57	1.51	3.98	1.53	4.12	1.54	4.39	1.56	4.52	1.56	4.80	1.58	4.93	1.59	5.07	1.60	5.07	1.60
46	2.66	1.31	2.96	1.33	3.06	1.34	3.26	1.35	3.36	1.36	3.57	1.37	3.67	1.38	3.77	1.38	3.77	1.38		

TC : Total Capacity (kW)
IP : Input Power (kW)

5-3. HEATING CAPACITY

This table is created using the maximum capacity.

Note: 2 or more indoor units should be connected.

■ MODEL: AO*G14L2

● Indoor unit : 7000Btu

			Indoor temperature										
			16°CDB		18°CDB		20°CDB		22°CDB		24°CDB		
7	Outdoor temperature	(°CDB)	(°CWB)	TC	IP	TC	IP	TC	IP	TC	IP	TC	IP
		-15	-16	2.13	0.92	2.08	0.93	2.03	0.95	1.98	0.97	1.93	0.99
		-10	-11	2.50	0.98	2.44	1.00	2.38	1.02	2.32	1.04	2.26	1.06
		-5	-7	2.65	0.94	2.59	0.96	2.52	0.98	2.46	1.00	2.40	1.02
		0	-2	2.88	0.91	2.81	0.93	2.74	0.94	2.67	0.96	2.61	0.98
		5	3	3.23	0.83	3.15	0.85	3.08	0.86	3.00	0.88	2.92	0.90
		7	6	3.47	0.85	3.38	0.87	3.30	0.89	3.22	0.91	3.14	0.93
		10	8	3.62	0.87	3.53	0.89	3.45	0.91	3.36	0.92	3.28	0.94
		15	10	3.76	0.88	3.67	0.89	3.58	0.91	3.49	0.93	3.40	0.95
20	15	3.99	0.87	3.89	0.89	3.80	0.91	3.70	0.93	3.61	0.95		

● Indoor unit : 9000Btu

			Indoor temperature										
			16°CDB		18°CDB		20°CDB		22°CDB		24°CDB		
9	Outdoor temperature	(°CDB)	(°CWB)	TC	IP	TC	IP	TC	IP	TC	IP	TC	IP
		-15	-16	2.56	1.24	2.50	1.27	2.44	1.29	2.38	1.32	2.32	1.34
		-10	-11	2.94	1.34	2.87	1.37	2.80	1.40	2.73	1.43	2.66	1.46
		-5	-7	3.17	1.33	3.09	1.36	3.02	1.38	2.94	1.41	2.87	1.44
		0	-2	3.85	1.30	3.76	1.33	3.66	1.36	3.57	1.38	3.48	1.41
		5	3	4.14	1.26	4.05	1.29	3.95	1.32	3.85	1.34	3.75	1.37
		7	6	4.41	1.32	4.31	1.34	4.20	1.37	4.10	1.40	3.99	1.42
		10	8	4.59	1.35	4.48	1.38	4.37	1.41	4.27	1.44	4.16	1.47
		15	10	4.76	1.37	4.64	1.40	4.53	1.43	4.42	1.46	4.30	1.49
20	15	5.05	1.43	4.93	1.46	4.81	1.49	4.69	1.52	4.57	1.55		

● Indoor unit : 12000Btu

			Indoor temperature										
			16°CDB		18°CDB		20°CDB		22°CDB		24°CDB		
12	Outdoor temperature	(°CDB)	(°CWB)	TC	IP	TC	IP	TC	IP	TC	IP	TC	IP
		-15	-16	2.88	1.57	2.81	1.60	2.75	1.63	2.68	1.66	2.61	1.70
		-10	-11	3.29	1.71	3.21	1.74	3.14	1.78	3.06	1.81	2.98	1.85
		-5	-7	3.62	1.83	3.54	1.87	3.45	1.91	3.36	1.95	3.28	1.99
		0	-2	4.46	1.58	4.35	1.61	4.25	1.65	4.14	1.68	4.03	1.71
		5	3	4.72	1.47	4.61	1.50	4.50	1.53	4.38	1.56	4.27	1.59
		7	6	5.04	1.53	4.92	1.56	4.80	1.59	4.68	1.62	4.56	1.65
		10	8	5.25	1.57	5.13	1.60	5.00	1.63	4.88	1.66	4.75	1.70
		15	10	5.44	1.59	5.31	1.63	5.18	1.66	5.05	1.69	4.92	1.73
20	15	5.92	1.66	5.78	1.70	5.63	1.73	5.49	1.76	5.35	1.80		

● Indoor unit : 7000Btu + 7000Btu

			Indoor temperature										
			16°CDB		18°CDB		20°CDB		22°CDB		24°CDB		
7+7	Outdoor temperature	(°CDB)	(°CWB)	TC	IP	TC	IP	TC	IP	TC	IP	TC	IP
		-15	-16	3.08	1.34	3.01	1.37	2.94	1.40	2.86	1.42	2.79	1.45
		-10	-11	3.57	1.44	3.49	1.47	3.40	1.49	3.32	1.52	3.23	1.55
		-5	-7	3.99	1.52	3.90	1.55	3.80	1.58	3.71	1.62	3.61	1.65
		0	-2	4.57	1.64	4.46	1.67	4.35	1.71	4.24	1.74	4.14	1.78
		5	3	5.24	1.64	5.12	1.67	4.99	1.71	4.87	1.74	4.74	1.77
		7	6	5.67	1.71	5.54	1.74	5.40	1.78	5.27	1.82	5.13	1.85
		10	8	5.92	1.74	5.78	1.78	5.63	1.81	5.49	1.85	5.35	1.88
		15	10	6.59	1.73	6.43	1.76	6.27	1.80	6.11	1.83	5.96	1.87
20	15	6.86	1.53	6.70	1.56	6.54	1.60	6.37	1.63	6.21	1.66		

TC : Total Capacity (kW)
IP : Input Power (kW)

● Indoor unit : 7000Btu + 9000Btu

			Indoor temperature										
			16°CDB		18°CDB		20°CDB		22°CDB		24°CDB		
7+9	Outdoor temperature	(°CDB)	(°CWB)	TC	IP	TC	IP	TC	IP	TC	IP	TC	IP
		-15	-16	3.08	1.34	3.01	1.37	2.94	1.40	2.86	1.42	2.79	1.45
		-10	-11	3.57	1.44	3.49	1.47	3.40	1.49	3.32	1.52	3.23	1.55
		-5	-7	3.99	1.52	3.90	1.55	3.80	1.58	3.71	1.62	3.61	1.65
		0	-2	4.57	1.64	4.46	1.67	4.35	1.71	4.24	1.74	4.14	1.78
		5	3	5.24	1.64	5.12	1.67	4.99	1.71	4.87	1.74	4.74	1.77
		7	6	5.67	1.71	5.54	1.74	5.40	1.78	5.27	1.82	5.13	1.85
		10	8	5.92	1.74	5.78	1.78	5.63	1.81	5.49	1.85	5.35	1.88
		15	10	6.59	1.73	6.43	1.76	6.27	1.80	6.11	1.83	5.96	1.87
20	15	6.86	1.53	6.70	1.56	6.54	1.60	6.37	1.63	6.21	1.66		

● Indoor unit : 7000Btu + 12000Btu

			Indoor temperature										
			16°CDB		18°CDB		20°CDB		22°CDB		24°CDB		
7+12	Outdoor temperature	(°CDB)	(°CWB)	TC	IP	TC	IP	TC	IP	TC	IP	TC	IP
		-15	-16	3.14	1.33	3.07	1.36	2.99	1.39	2.92	1.42	2.84	1.44
		-10	-11	3.65	1.43	3.57	1.46	3.48	1.49	3.39	1.52	3.30	1.55
		-5	-7	4.07	1.51	3.97	1.54	3.88	1.57	3.78	1.60	3.68	1.63
		0	-2	4.65	1.62	4.54	1.66	4.43	1.69	4.32	1.73	4.21	1.76
		5	3	5.34	1.62	5.21	1.66	5.09	1.69	4.96	1.72	4.83	1.76
		7	6	5.78	1.69	5.64	1.72	5.50	1.76	5.36	1.80	5.23	1.83
		10	8	6.03	1.72	5.88	1.75	5.74	1.79	5.60	1.83	5.45	1.86
		15	10	6.78	1.67	6.62	1.71	6.46	1.74	6.30	1.78	6.14	1.81
20	15	7.10	1.49	6.93	1.52	6.76	1.55	6.59	1.59	6.42	1.62		

● Indoor unit : 9000Btu + 9000Btu

			Indoor temperature										
			16°CDB		18°CDB		20°CDB		22°CDB		24°CDB		
9+9	Outdoor temperature	(°CDB)	(°CWB)	TC	IP	TC	IP	TC	IP	TC	IP	TC	IP
		-15	-16	3.08	1.34	3.01	1.37	2.94	1.40	2.86	1.42	2.79	1.45
		-10	-11	3.57	1.44	3.49	1.47	3.40	1.49	3.32	1.52	3.23	1.55
		-5	-7	3.99	1.52	3.90	1.55	3.80	1.58	3.71	1.62	3.61	1.65
		0	-2	4.57	1.64	4.46	1.67	4.35	1.71	4.24	1.74	4.14	1.78
		5	3	5.24	1.64	5.12	1.67	4.99	1.71	4.87	1.74	4.74	1.77
		7	6	5.67	1.71	5.54	1.74	5.40	1.78	5.27	1.82	5.13	1.85
		10	8	5.92	1.74	5.78	1.78	5.63	1.81	5.49	1.85	5.35	1.88
		15	10	6.59	1.73	6.43	1.76	6.27	1.80	6.11	1.83	5.96	1.87
20	15	6.86	1.53	6.70	1.56	6.54	1.60	6.37	1.63	6.21	1.66		

● Indoor unit : 9000Btu + 12000Btu

			Indoor temperature										
			16°CDB		18°CDB		20°CDB		22°CDB		24°CDB		
9+12	Outdoor temperature	(°CDB)	(°CWB)	TC	IP	TC	IP	TC	IP	TC	IP	TC	IP
		-15	-16	3.14	1.33	3.07	1.36	2.99	1.39	2.92	1.42	2.84	1.44
		-10	-11	3.65	1.43	3.57	1.46	3.48	1.49	3.39	1.52	3.30	1.55
		-5	-7	4.07	1.51	3.97	1.54	3.88	1.57	3.78	1.60	3.68	1.63
		0	-2	4.65	1.62	4.54	1.66	4.43	1.69	4.32	1.73	4.21	1.76
		5	3	5.34	1.62	5.21	1.66	5.09	1.69	4.96	1.72	4.83	1.76
		7	6	5.78	1.69	5.64	1.72	5.50	1.76	5.36	1.80	5.23	1.83
		10	8	6.03	1.72	5.88	1.75	5.74	1.79	5.60	1.83	5.45	1.86
		15	10	6.78	1.67	6.62	1.71	6.46	1.74	6.30	1.78	6.14	1.81
20	15	7.10	1.49	6.93	1.52	6.76	1.55	6.59	1.59	6.42	1.62		

TC : Total Capacity (kW)
IP : Input Power (kW)

Note: 2 or more indoor units should be connected.

MODEL: AO*G18L2

● Indoor unit : 7000Btu

			Indoor temperature										
			16°CDB		18°CDB		20°CDB		22°CDB		24°CDB		
7	Outdoor temperature	(°CDB)	(°CWB)	TC	IP	TC	IP	TC	IP	TC	IP	TC	IP
		-15	-16	2.15	1.03	2.10	1.06	2.05	1.08	2.00	1.10	1.95	1.12
		-10	-11	2.51	1.11	2.45	1.13	2.39	1.15	2.33	1.17	2.27	1.20
		-5	-7	2.77	1.09	2.70	1.11	2.64	1.13	2.57	1.16	2.51	1.18
		0	-2	3.00	1.05	2.93	1.07	2.85	1.09	2.78	1.11	2.71	1.13
		5	3	3.22	1.00	3.15	1.02	3.07	1.04	2.99	1.06	2.92	1.08
		7	6	3.47	1.03	3.38	1.05	3.30	1.07	3.22	1.09	3.14	1.11
		10	8	3.70	1.03	3.61	1.06	3.52	1.08	3.44	1.10	3.35	1.12
		15	10	3.99	1.06	3.90	1.08	3.80	1.10	3.71	1.12	3.61	1.15
20	15	4.23	1.09	4.13	1.11	4.03	1.13	3.93	1.15	3.83	1.18		

● Indoor unit : 9000Btu

			Indoor temperature										
			16°CDB		18°CDB		20°CDB		22°CDB		24°CDB		
9	Outdoor temperature	(°CDB)	(°CWB)	TC	IP	TC	IP	TC	IP	TC	IP	TC	IP
		-15	-16	2.71	1.34	2.65	1.37	2.58	1.40	2.52	1.43	2.45	1.46
		-10	-11	3.20	1.46	3.12	1.49	3.04	1.52	2.97	1.56	2.89	1.59
		-5	-7	3.43	1.43	3.35	1.46	3.27	1.49	3.18	1.52	3.10	1.55
		0	-2	3.75	1.41	3.66	1.44	3.58	1.47	3.49	1.50	3.40	1.53
		5	3	4.13	1.36	4.03	1.39	3.93	1.42	3.83	1.44	3.74	1.47
		7	6	4.41	1.41	4.31	1.44	4.20	1.47	4.10	1.50	3.99	1.53
		10	8	4.59	1.45	4.48	1.48	4.37	1.51	4.26	1.54	4.15	1.57
		15	10	5.05	1.52	4.93	1.55	4.81	1.58	4.69	1.61	4.57	1.64
20	15	5.34	1.57	5.21	1.60	5.08	1.64	4.96	1.67	4.83	1.70		

● Indoor unit : 12000Btu

			Indoor temperature										
			16°CDB		18°CDB		20°CDB		22°CDB		24°CDB		
12	Outdoor temperature	(°CDB)	(°CWB)	TC	IP	TC	IP	TC	IP	TC	IP	TC	IP
		-15	-16	3.10	1.62	3.03	1.66	2.95	1.69	2.88	1.73	2.81	1.76
		-10	-11	3.70	1.78	3.61	1.82	3.52	1.85	3.43	1.89	3.34	1.93
		-5	-7	3.97	1.75	3.87	1.79	3.78	1.83	3.68	1.86	3.59	1.90
		0	-2	4.37	1.70	4.27	1.74	4.16	1.77	4.06	1.81	3.95	1.84
		5	3	4.70	1.57	4.58	1.60	4.47	1.63	4.36	1.67	4.25	1.70
		7	6	5.04	1.63	4.92	1.66	4.80	1.70	4.68	1.73	4.56	1.76
		10	8	5.27	1.67	5.14	1.70	5.02	1.74	4.89	1.77	4.76	1.80
		15	10	5.81	1.74	5.67	1.78	5.53	1.81	5.39	1.85	5.25	1.89
20	15	6.14	1.80	5.99	1.84	5.85	1.87	5.70	1.91	5.55	1.95		

● Indoor unit : 14000Btu

			Indoor temperature										
			16°CDB		18°CDB		20°CDB		22°CDB		24°CDB		
14	Outdoor temperature	(°CDB)	(°CWB)	TC	IP	TC	IP	TC	IP	TC	IP	TC	IP
		-15	-16	3.59	1.84	3.50	1.88	3.42	1.92	3.33	1.96	3.25	1.99
		-10	-11	4.28	2.02	4.18	2.06	4.08	2.10	3.98	2.14	3.88	2.18
		-5	-7	4.60	1.99	4.49	2.04	4.38	2.08	4.27	2.12	4.16	2.16
		0	-2	5.12	1.95	5.00	1.99	4.87	2.03	4.75	2.07	4.63	2.11
		5	3	5.57	1.81	5.44	1.85	5.31	1.89	5.18	1.93	5.04	1.96
		7	6	6.09	1.90	5.95	1.94	5.80	1.98	5.66	2.02	5.51	2.06
		10	8	6.37	1.95	6.22	1.99	6.07	2.03	5.91	2.07	5.76	2.11
		15	10	6.69	1.94	6.53	1.98	6.37	2.02	6.21	2.06	6.05	2.10
20	15	7.01	1.93	6.84	1.97	6.67	2.01	6.51	2.05	6.34	2.09		

TC : Total Capacity (kW)
IP : Input Power (kW)

OUTDOOR UNIT
AO*G14-18L2

OUTDOOR UNIT
AO*G14-18L2

● Indoor unit : 7000Btu + 7000Btu

			Indoor temperature										
			16°CDB		18°CDB		20°CDB		22°CDB		24°CDB		
7+7	Outdoor temperature	(°CDB)	(°CWB)	TC	IP	TC	IP	TC	IP	TC	IP	TC	IP
		-15	-16	3.58	1.65	3.50	1.69	3.41	1.72	3.33	1.75	3.24	1.79
		-10	-11	4.20	1.72	4.10	1.76	4.00	1.79	3.90	1.83	3.80	1.86
		-5	-7	4.55	1.69	4.44	1.72	4.34	1.76	4.23	1.80	4.12	1.83
		0	-2	4.98	1.62	4.86	1.65	4.75	1.68	4.63	1.72	4.51	1.75
		5	3	5.40	1.50	5.27	1.53	5.14	1.57	5.01	1.60	4.88	1.63
		7	6	6.31	1.55	6.16	1.58	6.00	1.61	5.85	1.64	5.70	1.67
		10	8	6.39	1.63	6.24	1.66	6.08	1.69	5.93	1.73	5.78	1.76
		15	10	6.95	1.67	6.78	1.70	6.62	1.74	6.45	1.77	6.29	1.81
20	15	7.39	1.71	7.22	1.74	7.04	1.78	6.87	1.82	6.69	1.85		

● Indoor unit : 7000Btu + 9000Btu

			Indoor temperature										
			16°CDB		18°CDB		20°CDB		22°CDB		24°CDB		
7+9	Outdoor temperature	(°CDB)	(°CWB)	TC	IP	TC	IP	TC	IP	TC	IP	TC	IP
		-15	-16	3.59	1.83	3.50	1.87	3.42	1.91	3.33	1.95	3.24	1.98
		-10	-11	4.48	1.93	4.37	1.97	4.26	2.01	4.16	2.05	4.05	2.09
		-5	-7	4.87	1.91	4.75	1.95	4.64	1.99	4.52	2.03	4.40	2.06
		0	-2	5.35	1.84	5.22	1.88	5.09	1.92	4.97	1.96	4.84	2.00
		5	3	5.84	1.74	5.70	1.77	5.56	1.81	5.42	1.84	5.28	1.88
		7	6	6.30	1.80	6.15	1.83	6.00	1.87	5.85	1.91	5.70	1.94
		10	8	6.61	1.83	6.45	1.87	6.30	1.91	6.14	1.95	5.98	1.99
		15	10	6.97	1.86	6.81	1.90	6.64	1.94	6.48	1.98	6.31	2.02
20	15	7.48	1.85	7.31	1.88	7.13	1.92	6.95	1.96	6.77	2.00		

● Indoor unit : 7000Btu + 12000Btu

			Indoor temperature										
			16°CDB		18°CDB		20°CDB		22°CDB		24°CDB		
7+12	Outdoor temperature	(°CDB)	(°CWB)	TC	IP	TC	IP	TC	IP	TC	IP	TC	IP
		-15	-16	3.63	2.04	3.55	2.08	3.46	2.12	3.37	2.17	3.29	2.21
		-10	-11	4.57	2.03	4.46	2.07	4.35	2.11	4.24	2.15	4.13	2.20
		-5	-7	5.01	2.03	4.89	2.08	4.77	2.12	4.65	2.16	4.53	2.20
		0	-2	5.42	1.89	5.29	1.93	5.16	1.97	5.03	2.01	4.90	2.05
		5	3	5.99	1.70	5.84	1.74	5.70	1.77	5.56	1.81	5.42	1.85
		7	6	6.41	1.80	6.25	1.84	6.10	1.88	5.95	1.92	5.80	1.96
		10	8	6.74	1.84	6.58	1.88	6.42	1.92	6.26	1.96	6.10	2.00
		15	10	7.06	1.76	6.89	1.79	6.73	1.83	6.56	1.87	6.39	1.90
20	15	7.66	1.76	7.48	1.80	7.30	1.84	7.12	1.87	6.93	1.91		

● Indoor unit : 7000Btu + 14000Btu

			Indoor temperature										
			16°CDB		18°CDB		20°CDB		22°CDB		24°CDB		
7+14	Outdoor temperature	(°CDB)	(°CWB)	TC	IP	TC	IP	TC	IP	TC	IP	TC	IP
		-15	-16	3.93	2.07	3.83	2.12	3.74	2.16	3.65	2.20	3.55	2.25
		-10	-11	4.86	2.07	4.75	2.11	4.63	2.16	4.52	2.20	4.40	2.24
		-5	-7	5.37	2.07	5.25	2.12	5.12	2.16	4.99	2.20	4.86	2.25
		0	-2	5.82	1.93	5.68	1.97	5.54	2.01	5.41	2.05	5.27	2.09
		5	3	6.06	1.73	5.91	1.77	5.77	1.80	5.62	1.84	5.48	1.88
		7	6	6.51	1.79	6.36	1.82	6.20	1.86	6.05	1.90	5.89	1.93
		10	8	6.81	1.82	6.65	1.86	6.49	1.90	6.32	1.93	6.16	1.97
		15	10	7.63	1.81	7.45	1.85	7.27	1.88	7.09	1.92	6.91	1.96
20	15	8.06	1.82	7.87	1.86	7.68	1.90	7.49	1.94	7.30	1.98		

TC : Total Capacity (kW)
IP : Input Power (kW)

● Indoor unit : 9000Btu + 9000Btu

			Indoor temperature										
			16°CDB		18°CDB		20°CDB		22°CDB		24°CDB		
9+9	Outdoor temperature	(°CDB)	(°CWB)	TC	IP	TC	IP	TC	IP	TC	IP	TC	IP
		-15	-16	3.60	1.83	3.51	1.87	3.43	1.91	3.34	1.95	3.26	1.99
		-10	-11	4.48	1.92	4.37	1.96	4.27	2.00	4.16	2.04	4.05	2.08
		-5	-7	4.88	1.90	4.76	1.94	4.64	1.98	4.53	2.02	4.41	2.06
		0	-2	5.36	1.85	5.23	1.89	5.11	1.92	4.98	1.96	4.85	2.00
		5	3	5.93	1.76	5.79	1.80	5.65	1.83	5.51	1.87	5.37	1.91
		7	6	6.41	1.82	6.25	1.86	6.10	1.90	5.95	1.94	5.80	1.98
		10	8	6.73	1.87	6.57	1.91	6.41	1.95	6.25	1.98	6.09	2.02
		15	10	6.96	1.75	6.79	1.79	6.63	1.83	6.46	1.86	6.30	1.90
20	15	7.51	1.74	7.33	1.78	7.15	1.81	6.97	1.85	6.79	1.89		

● Indoor unit : 9000Btu + 12000Btu

			Indoor temperature										
			16°CDB		18°CDB		20°CDB		22°CDB		24°CDB		
9+12	Outdoor temperature	(°CDB)	(°CWB)	TC	IP	TC	IP	TC	IP	TC	IP	TC	IP
		-15	-16	3.92	2.04	3.83	2.08	3.74	2.12	3.64	2.17	3.55	2.21
		-10	-11	4.93	2.03	4.81	2.07	4.70	2.11	4.58	2.15	4.46	2.20
		-5	-7	5.41	2.03	5.28	2.08	5.15	2.12	5.02	2.16	4.89	2.20
		0	-2	5.85	1.89	5.71	1.93	5.58	1.97	5.44	2.01	5.30	2.05
		5	3	6.10	1.70	5.95	1.74	5.81	1.77	5.66	1.81	5.52	1.85
		7	6	6.51	1.80	6.35	1.84	6.20	1.88	6.04	1.92	5.89	1.96
		10	8	7.28	1.84	7.11	1.88	6.94	1.92	6.76	1.96	6.59	2.00
		15	10	7.63	1.76	7.45	1.79	7.26	1.83	7.08	1.87	6.90	1.90
20	15	8.09	1.76	7.90	1.80	7.71	1.84	7.52	1.87	7.32	1.91		

● Indoor unit : 9000Btu + 14000Btu

			Indoor temperature										
			16°CDB		18°CDB		20°CDB		22°CDB		24°CDB		
9+14	Outdoor temperature	(°CDB)	(°CWB)	TC	IP	TC	IP	TC	IP	TC	IP	TC	IP
		-15	-16	3.99	2.07	3.90	2.12	3.80	2.16	3.71	2.20	3.61	2.25
		-10	-11	4.94	2.07	4.83	2.11	4.71	2.16	4.59	2.20	4.47	2.24
		-5	-7	5.46	2.07	5.33	2.12	5.20	2.16	5.07	2.20	4.94	2.25
		0	-2	5.92	1.93	5.78	1.97	5.63	2.01	5.49	2.05	5.35	2.09
		5	3	6.12	1.73	5.97	1.77	5.83	1.80	5.68	1.84	5.54	1.88
		7	6	6.62	1.79	6.46	1.82	6.30	1.86	6.14	1.90	5.99	1.93
		10	8	6.92	1.82	6.76	1.86	6.59	1.90	6.43	1.93	6.26	1.97
		15	10	7.76	1.81	7.57	1.85	7.39	1.88	7.20	1.92	7.02	1.96
20	15	8.19	1.82	8.00	1.86	7.80	1.90	7.61	1.94	7.41	1.98		

● Indoor unit : 12000Btu + 12000Btu

			Indoor temperature										
			16°CDB		18°CDB		20°CDB		22°CDB		24°CDB		
12+12	Outdoor temperature	(°CDB)	(°CWB)	TC	IP	TC	IP	TC	IP	TC	IP	TC	IP
		-15	-16	4.02	2.09	3.92	2.14	3.83	2.18	3.73	2.22	3.64	2.27
		-10	-11	5.04	2.09	4.92	2.14	4.80	2.18	4.68	2.22	4.56	2.27
		-5	-7	5.49	2.07	5.36	2.11	5.23	2.16	5.10	2.20	4.97	2.24
		0	-2	5.94	1.92	5.80	1.96	5.66	2.00	5.52	2.04	5.38	2.08
		5	3	6.14	1.72	5.99	1.75	5.85	1.79	5.70	1.82	5.55	1.86
		7	6	6.62	1.77	6.46	1.80	6.30	1.84	6.14	1.88	5.99	1.91
		10	8	6.93	1.80	6.77	1.83	6.60	1.87	6.44	1.91	6.27	1.95
		15	10	7.85	1.80	7.67	1.83	7.48	1.87	7.29	1.91	7.10	1.95
20	15	8.37	1.81	8.17	1.85	7.97	1.88	7.77	1.92	7.57	1.96		

TC : Total Capacity (kW)
IP : Input Power (kW)

6. CAPACITY COMPENSATION RATE FOR PIPE LENGTH AND HEIGHT DEFFERENCE

■ INDOOR UNIT : 7000Btu (AO*G14L2)

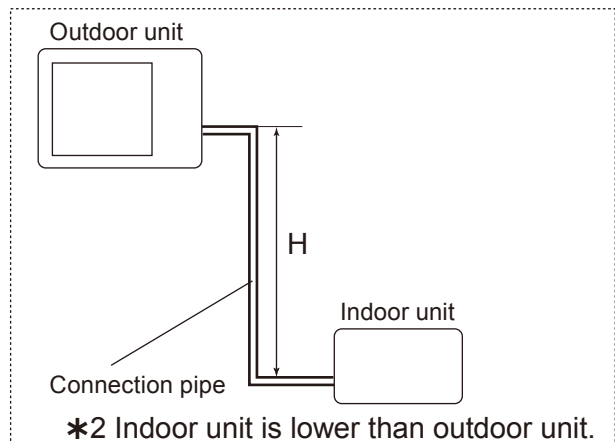
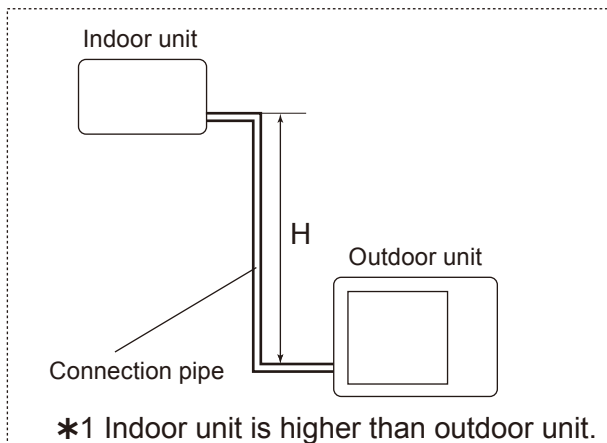
OUTDOOR UNIT
AO*G14-18L2

OUTDOOR UNIT
AO*G14-18L2

COOLING			Pipe length (m)				
			3	5	10	15	20
Height difference H (m)	*1 Indoor unit is higher than outdoor unit.	15	-	-	-	0.936	0.908
		10	-	-	0.969	0.943	0.915
		5	-	0.988	0.973	0.947	0.919
		3	0.992	0.992	0.977	0.951	0.922
	0		1.000	1.000	0.985	0.959	0.930
	*2 Indoor unit is lower than outdoor unit	-3	1.000	1.000	0.985	0.959	0.930
		-5	-	1.000	0.985	0.959	0.930
		-10	-	-	0.985	0.959	0.930
		-15	-	-	-	0.959	0.930

HEATING			Pipe length (m)				
			3	5	10	15	20
Height difference H (m)	*1 Indoor unit is higher than outdoor unit.	15	-	-	-	0.937	0.915
		10	-	-	0.956	0.937	0.915
		5	-	1.000	0.956	0.937	0.915
		3	0.990	1.000	0.956	0.937	0.915
	0		0.990	1.000	0.956	0.937	0.915
	*2 Indoor unit is lower than outdoor unit	-3	0.985	0.995	0.951	0.932	0.910
		-5	-	0.993	0.949	0.930	0.909
		-10	-	-	0.946	0.928	0.906
		-15	-	-	-	0.923	0.901

Height difference H



INDOOR UNIT : 7000Btu (AO*G18L2)

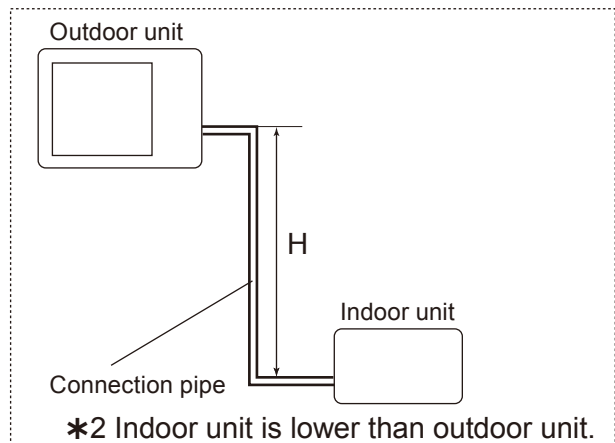
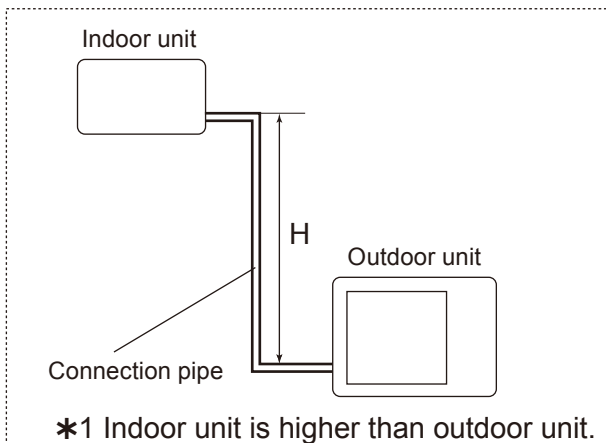
OUTDOOR UNIT
AO*G14-18L2

OUTDOOR UNIT
AO*G14-18L2

COOLING			Pipe length (m)				
			3	5	10	15	20
Height difference H (m)	*1 Indoor unit is higher than outdoor unit.	15	-	-	-	0.940	0.914
		10	-	-	0.973	0.948	0.921
		5	-	0.988	0.977	0.952	0.925
		3	0.992	0.992	0.981	0.956	0.929
	0		1.000	1.000	0.989	0.963	0.936
	*2 Indoor unit is lower than outdoor unit	-3	1.000	1.000	0.989	0.963	0.936
		-5	-	1.000	0.989	0.963	0.936
		-10	-	-	0.989	0.963	0.936
		-15	-	-	-	0.963	0.936

HEATING			Pipe length (m)				
			3	5	10	15	20
Height difference H (m)	*1 Indoor unit is higher than outdoor unit.	15	-	-	-	0.942	0.925
		10	-	-	0.959	0.942	0.925
		5	-	1.000	0.959	0.942	0.925
		3	0.990	1.000	0.959	0.942	0.925
	0		0.990	1.000	0.959	0.942	0.925
	*2 Indoor unit is lower than outdoor unit	-3	0.985	0.995	0.954	0.937	0.920
		-5	-	0.993	0.952	0.935	0.919
		-10	-	-	0.949	0.933	0.916
		-15	-	-	-	0.928	0.911

Height difference H



INDOOR UNIT : 9000Btu (AO*G14L2)

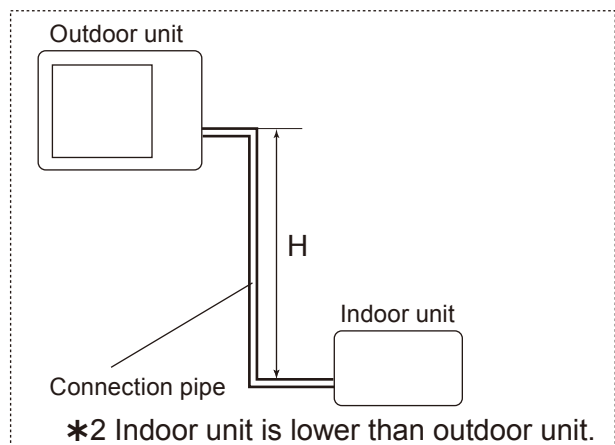
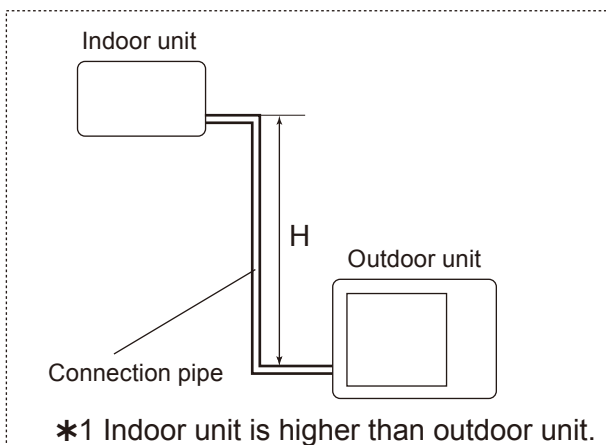
OUTDOOR UNIT
AO*G14-18L2

OUTDOOR UNIT
AO*G14-18L2

COOLING			Pipe length (m)				
			3	5	10	15	20
Height difference H (m)	*1 Indoor unit is higher than outdoor unit.	15	-	-	-	0.924	0.891
		10	-	-	0.962	0.931	0.899
		5	-	0.988	0.966	0.935	0.902
		3	0.992	0.992	0.969	0.939	0.906
	0		1.000	1.000	0.977	0.946	0.913
	*2 Indoor unit is lower than outdoor unit	-3	1.000	1.000	0.977	0.946	0.913
		-5	-	1.000	0.977	0.946	0.913
		-10	-	-	0.977	0.946	0.913
		-15	-	-	-	0.946	0.913

HEATING			Pipe length (m)				
			3	5	10	15	20
Height difference H (m)	*1 Indoor unit is higher than outdoor unit.	15	-	-	-	0.937	0.914
		10	-	-	0.956	0.937	0.914
		5	-	1.000	0.956	0.937	0.914
		3	0.990	1.000	0.956	0.937	0.914
	0		0.990	1.000	0.956	0.937	0.914
	*2 Indoor unit is lower than outdoor unit	-3	0.985	0.995	0.951	0.932	0.909
		-5	-	0.993	0.949	0.930	0.908
		-10	-	-	0.946	0.927	0.905
		-15	-	-	-	0.923	0.900

Height difference H



INDOOR UNIT : 9000Btu (AO*G18L2)

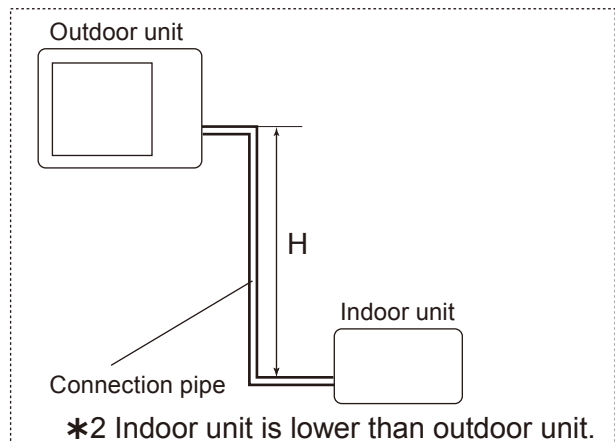
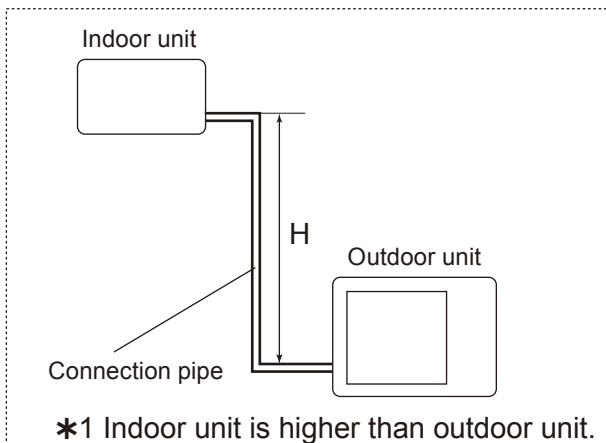
OUTDOOR UNIT
AO*G14-18L2

OUTDOOR UNIT
AO*G14-18L2

COOLING			Pipe length (m)				
			3	5	10	15	20
Height difference H (m)	*1 Indoor unit is higher than outdoor unit.	15	-	-	-	0.928	0.898
		10	-	-	0.966	0.936	0.905
		5	-	0.988	0.969	0.940	0.909
		3	0.992	0.992	0.973	0.943	0.912
	0		1.000	1.000	0.981	0.951	0.920
	*2 Indoor unit is lower than outdoor unit	-3	1.000	1.000	0.981	0.951	0.920
		-5	-	1.000	0.981	0.951	0.920
		-10	-	-	0.981	0.951	0.920
		-15	-	-	-	0.951	0.920

HEATING			Pipe length (m)				
			3	5	10	15	20
Height difference H (m)	*1 Indoor unit is higher than outdoor unit.	15	-	-	-	0.942	0.924
		10	-	-	0.959	0.942	0.924
		5	-	1.000	0.959	0.942	0.924
		3	0.990	1.000	0.959	0.942	0.924
	0		0.990	1.000	0.959	0.942	0.924
	*2 Indoor unit is lower than outdoor unit	-3	0.985	0.995	0.954	0.937	0.919
		-5	-	0.993	0.952	0.935	0.918
		-10	-	-	0.949	0.932	0.915
		-15	-	-	-	0.928	0.910

Height difference H



INDOOR UNIT : 12000Btu (AO*G14L2)

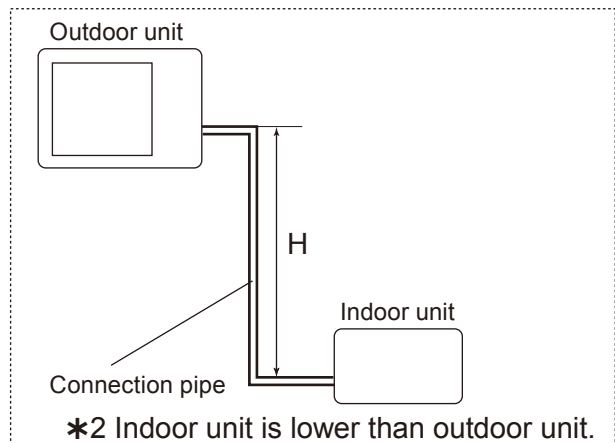
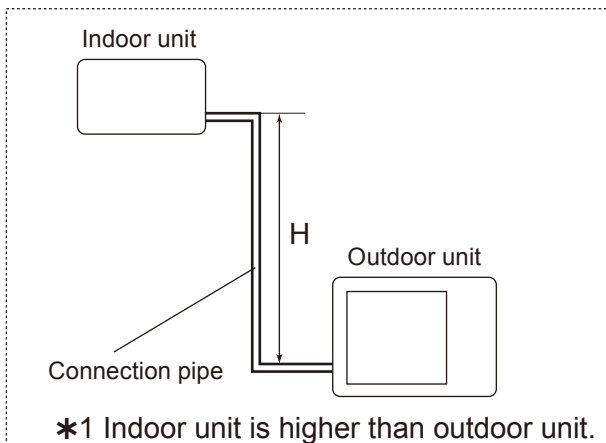
OUTDOOR UNIT
AO*G14-18L2

OUTDOOR UNIT
AO*G14-18L2

COOLING			Pipe length (m)					
			3	5	10	15	20	
Height difference H (m)	*1 Indoor unit is higher than outdoor unit.	15	-	-	-	0.914	0.877	
		10	-	-	0.959	0.921	0.884	
		5	-	0.988	0.962	0.925	0.888	
		3	0.992	0.992	0.966	0.929	0.891	
			0	1.000	1.000	0.974	0.936	0.899
	*2 Indoor unit is lower than outdoor unit	-3	1.000	1.000	0.974	0.936	0.899	
		-5	-	1.000	0.974	0.936	0.899	
		-10	-	-	0.974	0.936	0.899	
		-15	-	-	-	0.936	0.899	

HEATING			Pipe length (m)					
			3	5	10	15	20	
Height difference H (m)	*1 Indoor unit is higher than outdoor unit.	15	-	-	-	0.936	0.914	
		10	-	-	0.955	0.936	0.914	
		5	-	1.000	0.955	0.936	0.914	
		3	0.992	1.000	0.955	0.936	0.914	
			0	0.992	1.000	0.955	0.936	0.914
	*2 Indoor unit is lower than outdoor unit	-3	0.987	0.995	0.950	0.931	0.909	
		-5	-	0.993	0.948	0.929	0.908	
		-10	-	-	0.945	0.927	0.905	
		-15	-	-	-	0.922	0.900	

Height difference H



INDOOR UNIT : 12000Btu (AO*G18L2)

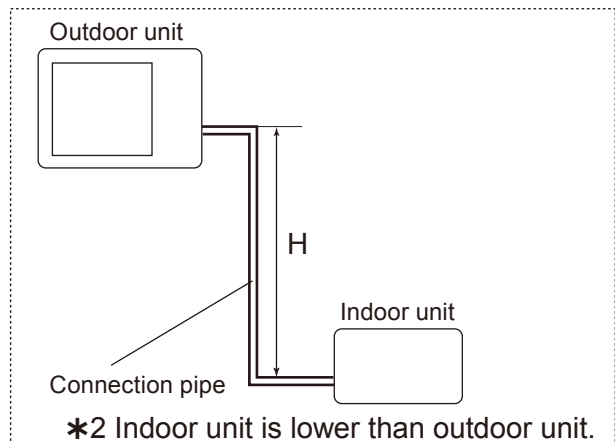
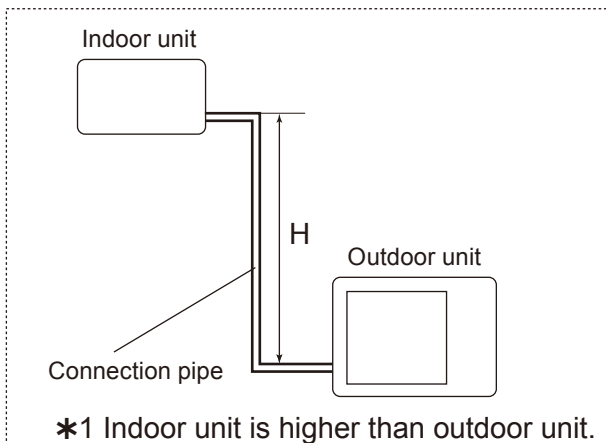
OUTDOOR UNIT
AO*G14-18L2

OUTDOOR UNIT
AO*G14-18L2

COOLING			Pipe length (m)				
			3	5	10	15	20
Height difference H (m)	*1 Indoor unit is higher than outdoor unit.	15	-	-	-	0.919	0.883
		10	-	-	0.962	0.926	0.891
		5	-	0.988	0.966	0.930	0.894
		3	0.992	0.992	0.970	0.934	0.898
	0		1.000	1.000	0.978	0.941	0.905
	*2 Indoor unit is lower than outdoor unit	-3	1.000	1.000	0.978	0.941	0.905
		-5	-	1.000	0.978	0.941	0.905
		-10	-	-	0.978	0.941	0.905
		-15	-	-	-	0.941	0.905

HEATING			Pipe length (m)				
			3	5	10	15	20
Height difference H (m)	*1 Indoor unit is higher than outdoor unit.	15	-	-	-	0.941	0.924
		10	-	-	0.958	0.941	0.924
		5	-	1.000	0.958	0.941	0.924
		3	0.992	1.000	0.958	0.941	0.924
	0		0.992	1.000	0.958	0.941	0.924
	*2 Indoor unit is lower than outdoor unit	-3	0.987	0.995	0.953	0.936	0.919
		-5	-	0.993	0.951	0.934	0.918
		-10	-	-	0.948	0.932	0.915
		-15	-	-	-	0.927	0.910

Height difference H



INDOOR UNIT : 14000Btu (AO*G18L2)

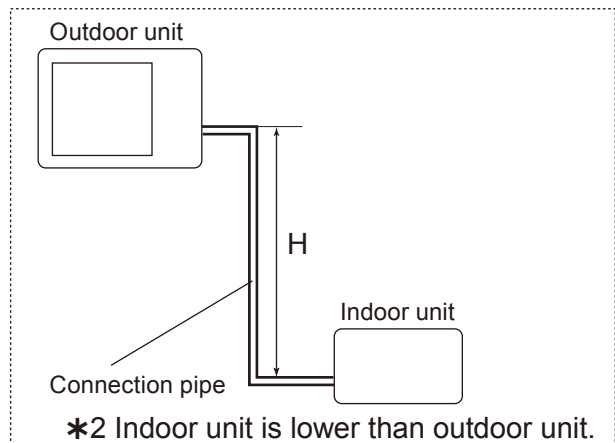
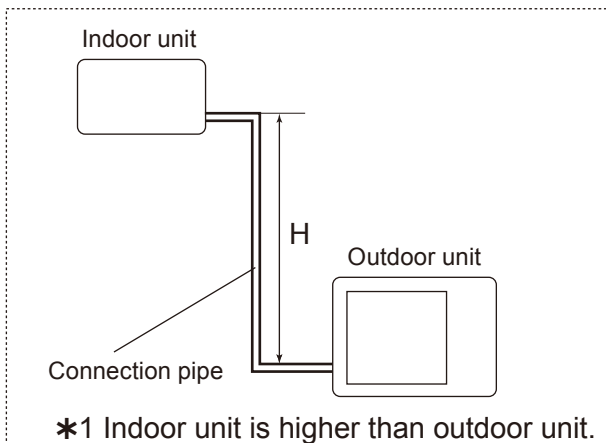
OUTDOOR UNIT
AO*G14-18L2

OUTDOOR UNIT
AO*G14-18L2

COOLING			Pipe length (m)				
			3	5	10	15	20
Height difference H (m)	*1 Indoor unit is higher than outdoor unit.	15	-	-	-	0.947	0.927
		10	-	-	0.974	0.955	0.935
		5	-	0.988	0.978	0.959	0.939
		3	0.992	0.992	0.982	0.963	0.942
	0		1.000	1.000	0.990	0.971	0.950
	*2 Indoor unit is lower than outdoor unit	-3	1.000	1.000	0.990	0.971	0.950
		-5	-	1.000	0.990	0.971	0.950
		-10	-	-	0.990	0.971	0.950
		-15	-	-	-	0.971	0.950

HEATING			Pipe length (m)				
			3	5	10	15	20
Height difference H (m)	*1 Indoor unit is higher than outdoor unit.	15	-	-	-	0.938	0.920
		10	-	-	0.957	0.938	0.920
		5	-	1.000	0.957	0.938	0.920
		3	0.996	1.000	0.957	0.938	0.920
	0		0.996	1.000	0.957	0.938	0.920
	*2 Indoor unit is lower than outdoor unit	-3	0.991	0.995	0.952	0.933	0.915
		-5	-	0.993	0.950	0.931	0.914
		-10	-	-	0.947	0.929	0.911
		-15	-	-	-	0.924	0.906

Height difference H



7. ADDITIONAL CHARGE CALCULATION

■ MODEL: AO*G14L2

Refrigerant type	R410A		
Refrigerant amount	g	1250	

● Refrigerant charge

Total pipe length	m	20 or less	30 (MAX.)	10 g/m
Additional charge	g	0	100	

■ MODEL: AO*G18L2

Refrigerant type	R410A		
Refrigerant amount	g	1300	

● Refrigerant charge

Total pipe length	m	20 or less	30 (MAX.)	20 g/m
Additional charge	g	0	200	

8. AIRFLOW

■ MODEL: AO*G14L2

● Cooling

Number of rotations (r.p.m.)	Airflow	
	820	m ³ /h
l/s		514
CFM		1089

● Heating

Number of rotations (r.p.m.)	Airflow	
	820	m ³ /h
l/s		514
CFM		1089

■ MODEL: AO*G18L2

● Cooling

Number of rotations (r.p.m.)	Airflow	
	900	m ³ /h
l/s		569
CFM		1206

● Heating

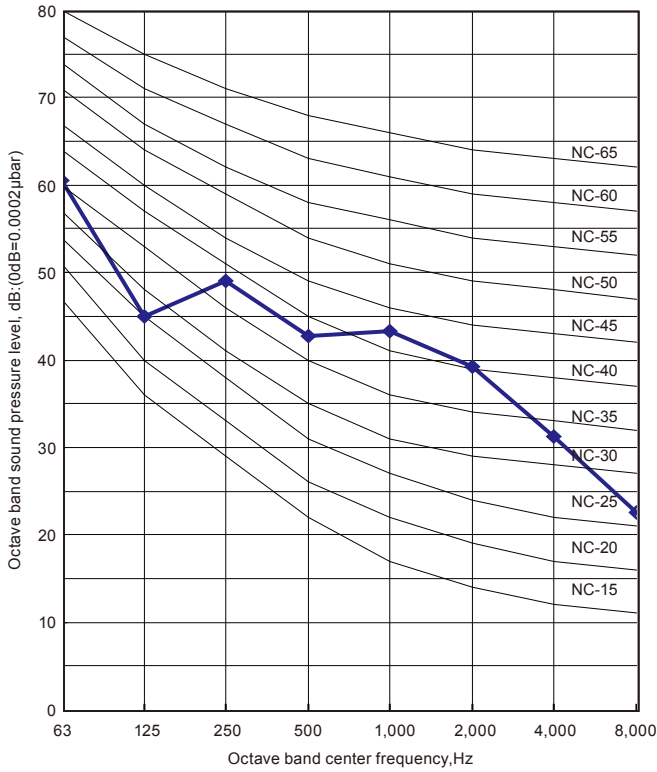
Number of rotations (r.p.m.)	Airflow	
	900	m ³ /h
l/s		569
CFM		1206

9. OPERATION NOISE (SOUND PRESSURE)

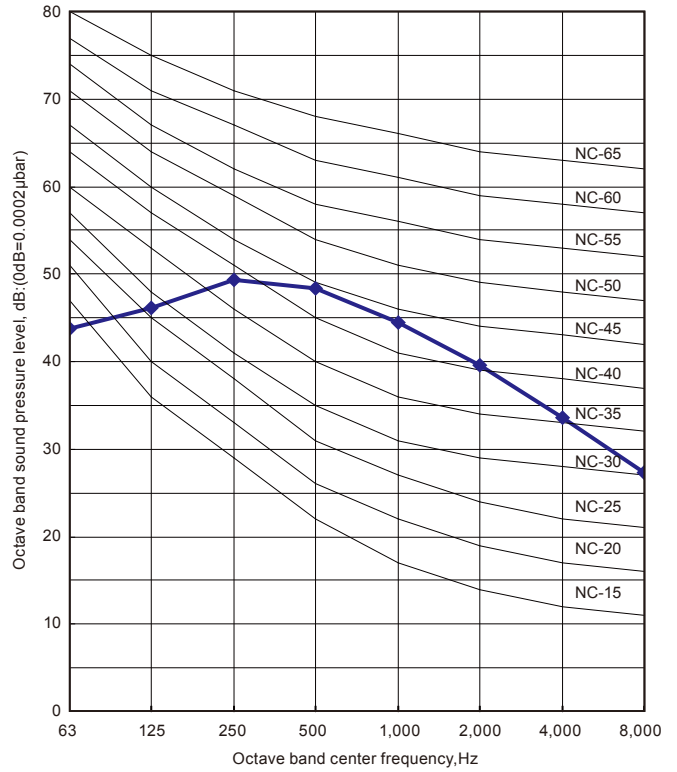
9-1. NOISE LEVEL CURVE

MODEL: AO*G14L2

● Cooling

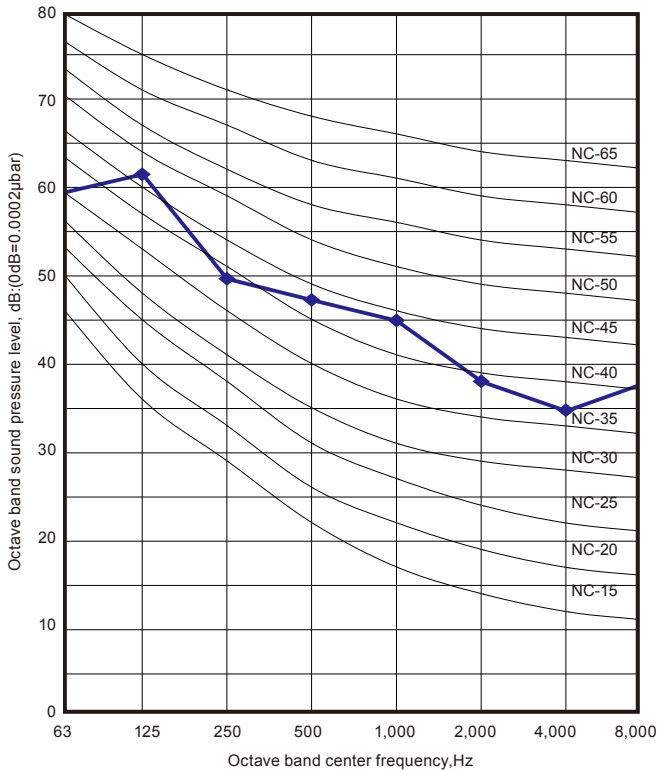


● Heating

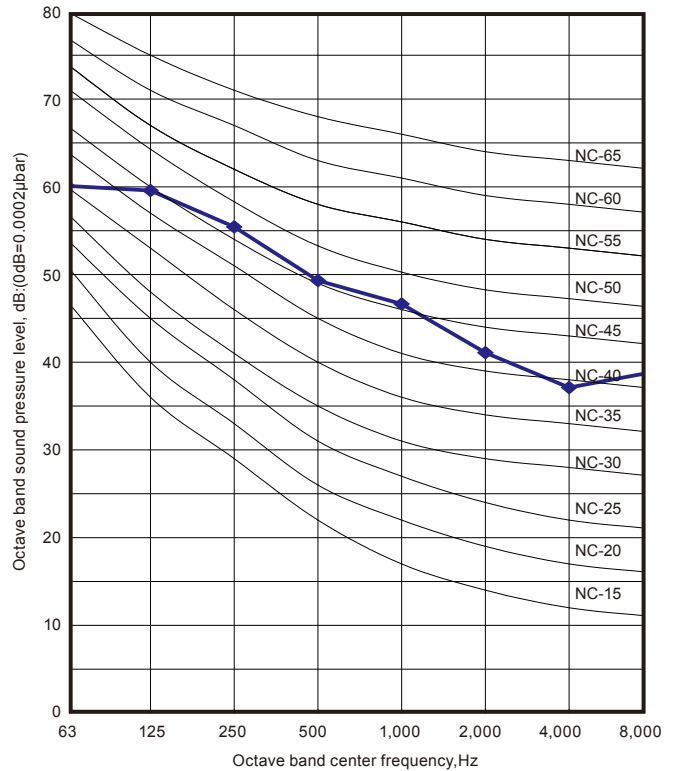


MODEL: AO*G18L2

● Cooling



● Heating

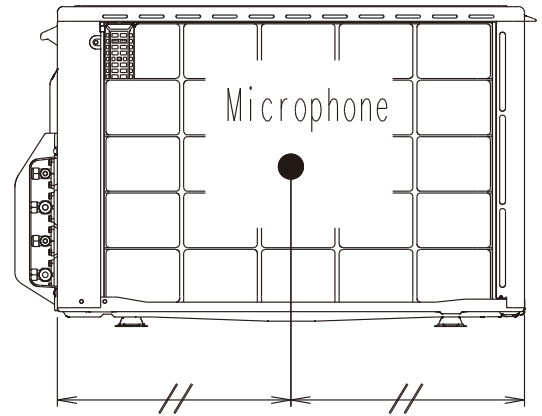
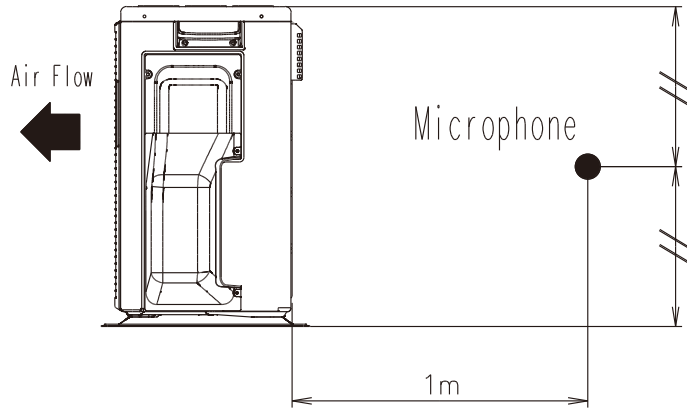


OUTDOOR UNIT
AO*G14-18L2

OUTDOOR UNIT
AO*G14-18L2

9-2. SOUND LEVEL CHECK POINT

OUTDOOR UNIT
AO*G14-18L2



OUTDOOR UNIT
AO*G14-18L2

10. ELECTRIC CHARACTERISTICS

Model name			AO*G14L2	AO*G18L2
Power supply	Voltage	V	230 ~	
	Frequency	Hz	50	
Max. operating current		A	10	12
Starting current		A	4.9	6.3
*1) Wiring spec.	Main fuse (Circuit breaker) current	A	15	
	Power cable	mm ²	2.5	
	*2) Limited wiring length	m	16	

*1) Wiring spec.

Selected sample

(Selected based on Japan Electrotechnical Standard and Codes Committee E0005)

*2) Limited wiring length :

This is the wiring length in case voltage descent is less than 2%.

When the wiring length becomes long, please select the wiring of a more larger diameter.

11. SAFETY DEVICES

OUTDOOR UNIT
AO*G14-18L2

OUTDOOR UNIT
AO*G14-18L2

	Protection form	Model	
		AO*G14L2	AO*G18L2
Circuit protection	Current fuse (MAIN PCB)	15A 250V	
		10A 250V	
		3.15A 250V	
	Current fuse (NEAR THE TERMINAL)	20A 250V	
Fan motor protection	Thermal protector	OFF : 100 ⁺¹⁵ ₋₁₀ °C ON : 95 ⁺¹⁵ ₋₁₀ °C	
Compressor protection	Thermal protection program (DISCHARGE TEMP.)	OFF : 110°C ON : 80°C	
	Thermal protection program (Compressor bottom TEMP.)	—	OFF : 110°C ON : 80°C
Refrigerant circuit protection	Thermal protection program (HEAT EXCHANGER TEMP.)	OFF : 67°C ON : 59°C	

12. INSTALLATION PRECAUTIONS

12-1. OUTDOOR UNIT INSTALLATION PRECAUTIONS

Note: The information listed below are general precautions.
Some models also include items that do not apply.

■ PLACES WHERE USE PROHIBITED

- Places where there is the danger of combustible gas leakage
- Places where sulfur gas, chlorine gas, acid, alkali, or other matter which effects equipment is generated
- Places not affected by heat radiation from other heat sources
- Places where the air is not stagnant
- Places where machinery which generates high frequencies is used
- Ocean beaches and other areas where there is a lot of salt
- Installation in vehicles, ships, and other conveyances
- Factory, etc. where voltage fluctuations are large

■ POINTS TO REMEMBER WHEN INSTALLING

- (1) The set shall be installed at a place which can withstand the weight and vibration of the outdoor unit
- (2) To allow maintenance after refrigerant piping, drain piping, and electric wiring connection and installation, provide an installation service space.
*Installation service space is shown on "INSTALLATION PLACE".
- (3) Be careful when installing the set at the following places.

[Installation precautions]

	Contents	Countermeasures (Reference)
When installed near adjacent houses	Perform installation work so that operating sound does not disturb the neighbors.	(1) Install a soundproof barrier (2) Change the installation site
When there is the possibility of strong wind	(1) If the outdoor unit is exposed to strong wind, capacity may drop, frost may form during heating, and operation may be stopped by high pressure rise. In addition, when a very strong wind blows, the fan may be damaged. (2) When a very strong wind blows, there is the possibility of the outdoor unit being toppled over if held only by foundation bolts	(1) Install with the outlet side Keep a sufficient distance away from a facing wall or fence. (2) Make the outlet direction and wind direction perpendicular. (3) Fasten the outdoor unit using toppling prevention hardware (procured at the site).
When snow accumulates	If the outdoor unit is covered by accumulated snow, it may not be able to operate.	(1) Make the foundation as high as possible. (2) Perform snow prevention work.
When installing the inverter type	It may generate noise in TV sets, stereos and PCs.	(1) The inverter type should be installed at a sufficient distance from these equipments.

3. OUTDOOR UNIT (3 ROOMS TYPE)

MULTI TYPE :

AO*G18LAT3

AO*G24LAT3

CONTENTS

3. OUTDOOR UNIT (3 ROOMS TYPE)

1.	SPECIFICATIONS	03 - 01
2.	DIMENSIONS	03 - 03
3.	REFRIGERANT CIRCUIT	03 - 04
4.	WIRING DIAGRAMS	03 - 05
5.	CAPACITY TABLE	03 - 06
5-1.	COMBINATIONS	03 - 06
5-2.	COOLING CAPACITY	03 - 09
5-3.	HEATING CAPACITY	03 - 24
6.	CAPACITY COMPENSATION RATE FOR PIPE LENGTH AND HEIGHT DEFFERENCE	03 - 39
7.	ADDITIONAL CHARGE CALCULATION	03 - 44
8.	AIRFLOW	03 - 45
9.	OPERATION NOISE (SOUND PRESSURE)	03 - 46
9-1.	NOISE LEVEL CURVE	03 - 46
9-2.	SOUND LEVEL CHECK POINT	03 - 47
10.	ELECTRIC CHARACTERISTICS	03 - 48
11.	SAFETY DEVICES	03 - 49
12.	INSTALLATION PRECAUTIONS	03 - 50
12-1.	OUTDOOR UNIT INSTALLATION PRECAUTIONS	03 - 50

1. SPECIFICATIONS

The following performance is a value at standard combinations.

STANDARD COMBINATION

AO*G18LAT3 : AS*G07LMCA + AS*G07LMCA + AS*G07LMCA

AO*G24LAT3 : AS*G07LMCA + AS*G07LMCA + AS*G09LMCA

Type				INVERTER MULTI MODELS		
				HEAT PUMP TYPE		
Model name				AO*G18LAT3	AO*G24LAT3	
Power source				230V ~ 50Hz		
Available voltage range				198-264V ~ 50Hz		
Capacity	Cooling	Rated	kW	5.4	6.8	
			Btu/h	18400	23200	
		Min. - Max.	kW	1.8 - 6.8	1.8 - 8.5	
	Heating	Rated	kW	6.8	8.0	
			Btu/h	23200	27300	
		Min. - Max.	kW	2.0 - 8.0	2.0 - 9.2	
Input power	Cooling	Rated	kW	1.35	1.94	
			Max.	2.06	2.60	
		Heating	Rated	kW	1.62	2.00
	Max.			2.06	2.87	
	Current		Cooling	Rated	A	5.9
		Heating	A		7.1	8.8
EER	Cooling	Rated	kW/kW	4.00	3.51	
COP	Heating		kW/kW	4.20	4.00	
Starting current			A	7.1	8.8	
Maximum operating current			A	9.0	12.5	
Fan	Airflow rate	Cooling	m ³ /h	3050		
		Heating		3300		
	Type x Q'ty	Propeller x 1				
	Motor output	W				
Sound pressure level *1	Cooling	Rated	dB(A)	46	48	
	Heating			47	49	
Heat exchanger type	Dimension (H x W x D)		mm	672 x 900 x 36.4		
	Fin pitch			1.45		
	Rows x Stages			2 x 32		
	Pipe type			Copper tube		
	Fin type			Aluminium		
Compressor	Type x Q'ty		DC TWIN ROTARY x 1			
	Motor output		W	1100		
Refrigerant	Type (Global Warming Potential)		R410A (1975)			
	Charge		g	2200		
Refrigerant oil	Type		POE			
Enclosure	Material		Steel sheet			
	Colour		BEIGE (Approximate colour of MUNSELL 10YR7.5 / 1.0NN)			
Dimensions H x W x D	Net		mm	700 x 900 x 330		
	Gross			865 x 1050 x 445		
Weight	Net		kg	55		
	Gross			64		
Connection pipe	Size	Liquid	mm	Ø6.35 (Ø1/4 in.) x 3		
		Gas		Ø9.52 (Ø3/8 in.) x 2, [Ø12.70 (Ø1/2 in.) x 1] *2		
	Method		Flare			
	Pre-charge length (Total)		30			
	Max. length (Total)		50			
	Max. length (Each)		25			
	Min. length (Total)		15			
	Min. length (Each)		5			
	Max. height difference between Outdoor Unit and each Indoor Units.		15			
	Max. height difference between Indoor Units.		10			
Operation range	Cooling		°C	-10 to 46		
	Heating			-15 to 24		

NOTE:

Specifications are based on the following conditions.

Cooling: Indoor temperature of 27 °CDB / 19 °CWB. and outdoor temperature of 35 °CDB / 24 °CWB.

Heating: Indoor temperature of 20 °CDB / 15 °CWB. and outdoor temperature of 7 °CDB / 6 °CWB.

Pipe length: 5 m, Height difference: 0 m. (Outdoor unit - indoor unit)

The protective function might work when using it outside the operation range.

*1: These are the measured values in the manufacturer's anechoic chamber.

Because of the surrounding sound environment, the sound levels measured in actual installation conditions might be higher than the specified values here.

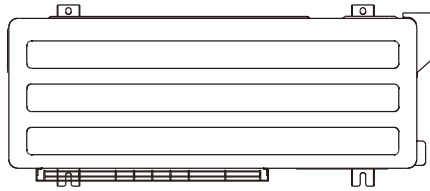
*2: Connect to connection valve by the adapter

Model name			AO*G18LAT3	AO*G24LAT3
Energy efficiency class	Cooling		A++	A++
	Heating (Average)		A+	A+
Pdesign	Cooling	kW	5.4 (35°C)	6.8 (35°C)
	Heating (Average)		5.0 (-10°C)	5.2 (-10°C)
SEER	Cooling	kWh/kWh	6.90	6.40
SCOP	Heating (Average)		4.30	4.20
Annual energy consumption	QCE		274	372
	QHE (Average)		1627	1730
Sound power level	Cooling	High	dB (A)	65
	Heating			68
				70

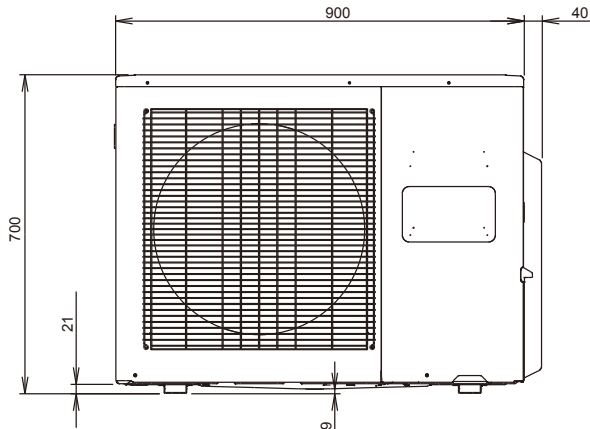
2. DIMENSIONS

MODEL: AO*G18L3, AO*G24L3

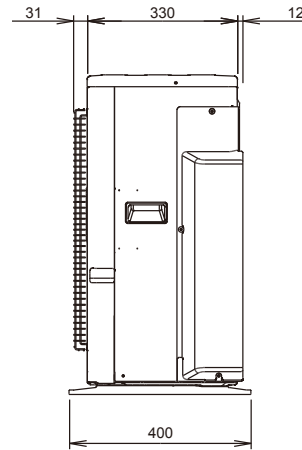
(Unit : mm)



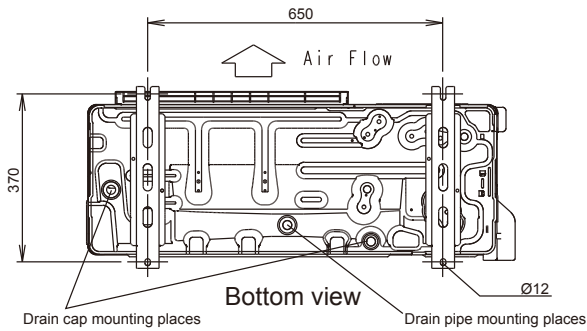
Top view



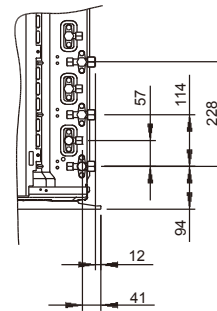
Front view



Side view



Bottom view

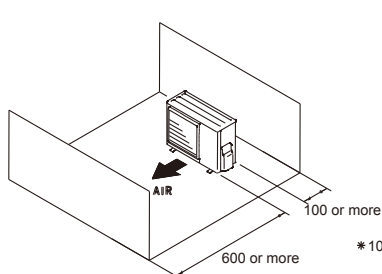


OUTDOOR UNIT
AO*G18-24L3

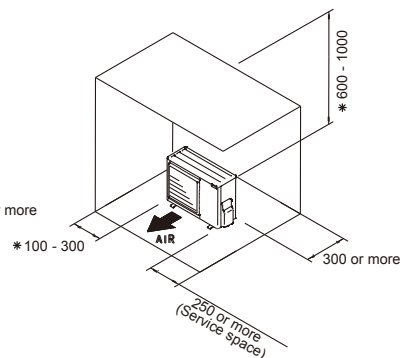
OUTDOOR UNIT
AO*G18-24L3

INSTALLATION PLACE

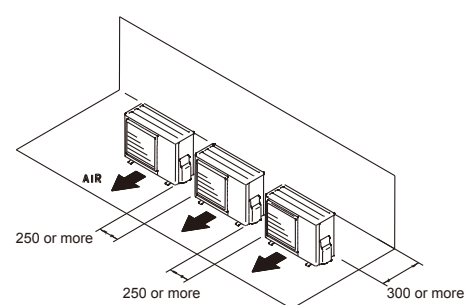
When there are obstacles at the back or front sides.



When there are obstacles at the back, side(s), and top.



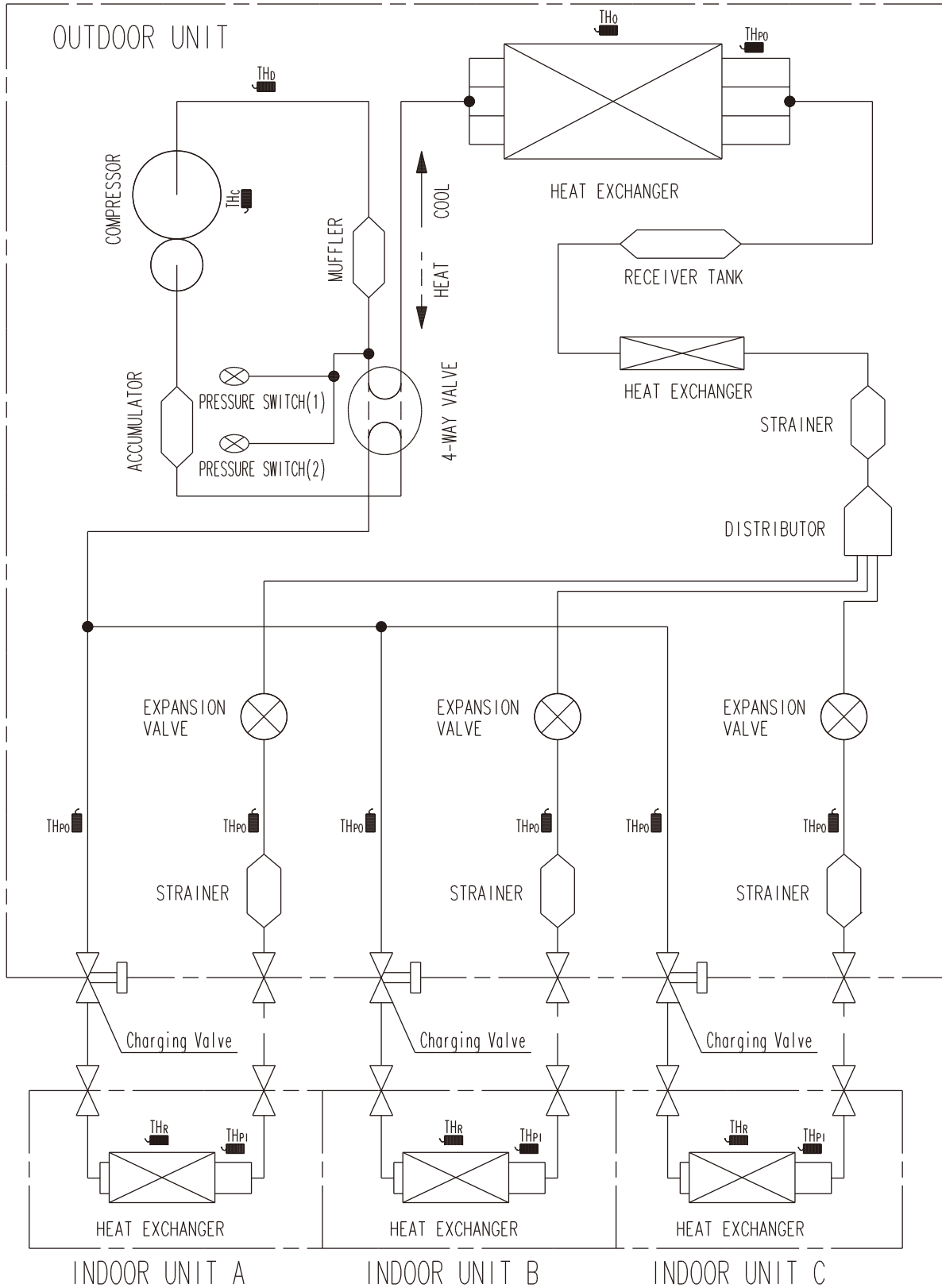
When there are obstacles at the back, side with the installation of more than one unit.



*If the space is larger that is stated, the condition will be the same as that are no obstacles.

3. REFRIGERANT CIRCUIT

■ MODEL: AO*G18L3, AO*G24L3



TH_b ■: THERMISTOR(DISCHARGE TEMP.)
 TH_o ■: THERMISTOR(OUTDOOR TEMP.)
 TH_{p1} ■: THERMISTOR(PIPE TEMP.)
 TH_c ■: THERMISTOR(COMPRESSOR TEMP.)

TH_r ■: THERMISTOR(ROOM TEMP.)
 TH_{p1} ■: THERMISTOR(PIPE TEMP.)

OUTDOOR UNIT
AO*G18-24L3

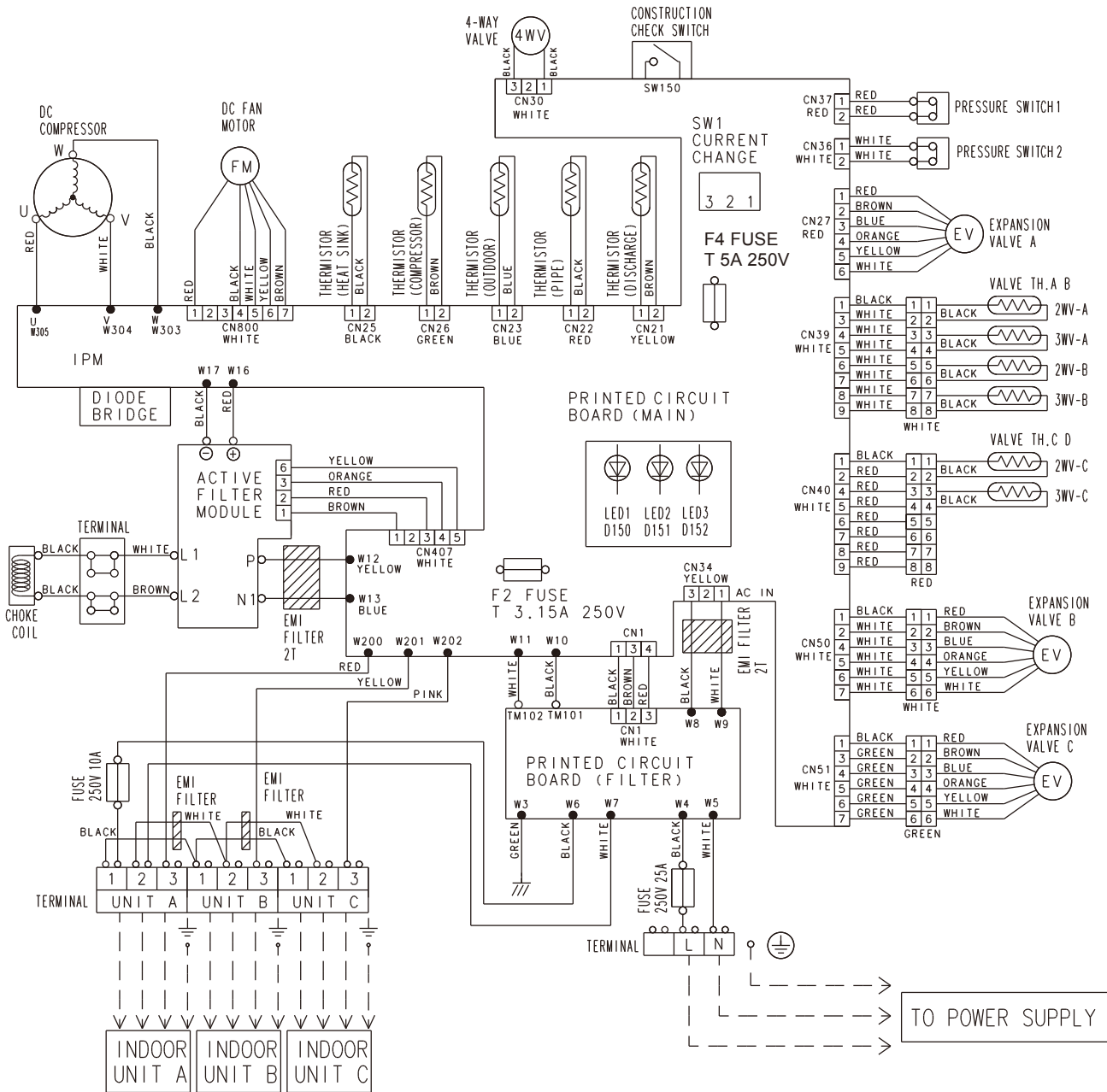
OUTDOOR UNIT
AO*G18-24L3

4. WIRING DIAGRAMS

MODEL: AO*G18L3, AO*G24L3

OUTDOOR UNIT
AO*G18-24L3

OUTDOOR UNIT
AO*G18-24L3



5. CAPACITY TABLE

5-1. COMBINATIONS

MODEL: AO*G18L3

● Cooling

	Combination of indoor unit			COOLING OPERATION								
				Cooling Capacity				Input Power (min-max)	EER	Seasonal Data		
				Room 1	Room 2	Room 3	Total Capacity (min-max)			Pdesign	SEER	Energy Efficiency Class
				KW	KW	KW	KW	KW				
2 Room	7	7	-	2.30	2.30	-	4.60 (1.8 - 5.0)	1.22 (0.50 - 1.43)	3.77	4.6	6.3	A++
	7	9	-	2.30	2.70	-	5.00 (1.8 - 5.7)	1.35 (0.50 - 1.81)	3.70	5.0	6.2	A++
	7	12	-	1.98	3.02	-	5.00 (1.8 - 6.1)	1.34 (0.50 - 2.06)	3.73	5.0	6.2	A++
	7	14	-	1.88	3.42	-	5.30 (1.8 - 6.6)	1.34 (0.50 - 2.06)	3.96	5.3	6.1	A++
	9	9	-	2.50	2.50	-	5.00 (1.8 - 6.2)	1.35 (0.50 - 2.06)	3.70	5.0	6.2	A++
	9	12	-	2.18	2.82	-	5.00 (1.8 - 6.3)	1.35 (0.50 - 2.06)	3.70	5.0	6.2	A++
	9	14	-	2.07	3.23	-	5.30 (1.8 - 6.7)	1.35 (0.50 - 2.06)	3.93	5.3	6.1	A++
	12	12	-	2.55	2.55	-	5.10 (1.8 - 6.3)	1.35 (0.50 - 2.06)	3.78	5.1	6.1	A++
3 Room	7	7	7	1.80	1.80	1.80	5.40 (1.8 - 6.8)	1.35 (0.50 - 2.06)	4.00	5.4	6.9	A++
	7	7	9	1.70	1.70	2.00	5.40 (1.8 - 6.8)	1.35 (0.50 - 2.06)	4.00	5.4	6.9	A++
	7	7	12	1.53	1.53	2.33	5.40 (1.8 - 6.8)	1.35 (0.50 - 2.06)	4.00	5.4	6.7	A++
	7	7	14	1.41	1.41	2.58	5.40 (2.0 - 6.8)	1.35 (0.60 - 2.06)	4.00	5.4	6.7	A++
	7	9	9	1.61	1.89	1.89	5.40 (1.8 - 6.8)	1.35 (0.50 - 2.06)	4.00	5.4	6.8	A++
	7	9	12	1.46	1.72	2.22	5.40 (1.8 - 6.8)	1.35 (0.50 - 2.06)	4.00	5.4	6.7	A++
	7	9	14	1.35	1.58	2.47	5.40 (2.0 - 6.8)	1.35 (0.60 - 2.06)	4.00	5.4	6.7	A++
	9	9	9	1.80	1.80	1.80	5.40 (1.8 - 6.8)	1.35 (0.50 - 2.06)	4.00	5.4	6.8	A++
9	9	12	1.64	1.64	2.12	5.40 (1.8 - 6.8)	1.35 (0.50 - 2.06)	4.00	5.4	6.7	A++	

● Heating

	Combination of indoor unit			HEATING OPERATION								
				Heating Capacity				Input Power (min-max)	COP	Seasonal Data		
				Room 1	Room 2	Room 3	Total Capacity (min-max)			Pdesign	SCOP	Energy Efficiency Class
				KW	KW	KW	KW	KW				
2 Room	7	7	-	2.70	2.70	-	5.40 (2.0 - 6.1)	1.59 (0.52 - 1.93)	3.40	4.0	4.1	A+
	7	9	-	2.75	3.25	-	6.00 (2.0 - 6.4)	1.87 (0.52 - 2.06)	3.21	4.0	4.1	A+
	7	12	-	2.59	3.71	-	6.30 (2.0 - 6.5)	1.98 (0.52 - 2.06)	3.18	4.0	4.1	A+
	7	14	-	2.51	4.29	-	6.80 (2.0 - 7.1)	1.92 (0.50 - 2.06)	3.54	4.0	4.1	A+
	9	9	-	3.15	3.15	-	6.30 (2.0 - 6.5)	1.98 (0.52 - 2.06)	3.18	4.0	4.1	A+
	9	12	-	2.89	3.51	-	6.40 (2.0 - 6.6)	1.99 (0.52 - 2.06)	3.22	4.0	4.1	A+
	9	14	-	2.77	4.03	-	6.80 (2.0 - 7.2)	1.91 (0.50 - 2.06)	3.56	4.0	4.1	A+
	12	12	-	3.20	3.20	-	6.40 (2.0 - 6.6)	1.98 (0.52 - 2.06)	3.23	4.0	4.1	A+
3 Room	7	7	7	2.27	2.27	2.27	6.80 (2.0 - 7.7)	1.62 (0.50 - 2.06)	4.20	5.0	4.3	A+
	7	7	9	2.14	2.14	2.52	6.80 (2.0 - 7.8)	1.62 (0.50 - 2.06)	4.20	5.0	4.3	A+
	7	7	12	1.98	1.98	2.83	6.80 (2.0 - 7.8)	1.59 (0.50 - 2.06)	4.28	5.0	4.3	A+
	7	7	14	1.83	1.83	3.14	6.80 (2.0 - 8.0)	1.61 (0.50 - 2.06)	4.22	5.0	4.3	A+
	7	9	9	2.03	2.39	2.39	6.80 (2.0 - 7.8)	1.60 (0.50 - 2.06)	4.25	5.0	4.3	A+
	7	9	12	1.89	2.22	2.69	6.80 (2.0 - 7.9)	1.59 (0.50 - 2.06)	4.28	5.0	4.3	A+
	7	9	14	1.75	2.06	2.99	6.80 (2.0 - 8.0)	1.60 (0.50 - 2.06)	4.25	5.0	4.3	A+
	9	9	9	2.27	2.27	2.27	6.80 (2.0 - 7.9)	1.59 (0.50 - 2.06)	4.28	5.0	4.3	A+
9	9	12	2.12	2.12	2.57	6.80 (2.0 - 7.9)	1.59 (0.50 - 2.06)	4.28	5.0	4.3	A+	

Notes:

- 7: 7000Btu/h, 9: 9000Btu/h, 12: 12000Btu/h, 14:14000Btu/h models.
- The above is the value for connecting with Wall Mounted type.
- 2 or more indoor units should be connected.
- Cooling capacity is based on 27 °CDB / 19 °CWB (indoor temperature), 35 °CDB (outdoor temperature).
- Heating capacity is based on 20 °CDB (indoor temperature), 7 °CDB / 6 °CWB (outdoor temperature).
- Pipe length : 5m, Height difference : 0m. (Outdoor unit to indoor unit)
- The total ability of connected a indoor unit is up to 30000 Btu from 14000 Btu.

MODEL: AO*G24L3

● Cooling

	Combination of indoor unit			COOLING OPERATION								
				Cooling Capacity				Input Power (min-max)	EER	Seasonal Data		
				Room 1	Room 2	Room 3	Total Capacity (min-max)			Pdesign	SEER	Energy Efficiency Class
				KW	KW	KW	KW	kW				
2 Room	7	7	-	2.30	2.30	-	4.60 (1.8 - 5.0)	1.20 (0.50 - 1.40)	3.83	4.6	6.3	A++
	7	9	-	2.30	2.70	-	5.00 (1.8 - 5.7)	1.36 (0.50 - 1.78)	3.68	5.0	6.2	A++
	7	12	-	2.38	3.42	-	5.80 (1.8 - 6.1)	1.70 (0.50 - 1.97)	3.41	5.8	6.1	A++
	7	14	-	2.37	4.13	-	6.50 (1.8 - 7.2)	1.91 (0.50 - 2.46)	3.40	6.5	6.0	A+
	9	18	-	2.08	4.52	-	6.60 (1.8 - 7.8)	1.91 (0.50 - 2.87)	3.46	6.6	5.9	A+
	9	9	-	2.75	2.75	-	5.50 (1.8 - 6.2)	1.55 (0.50 - 2.02)	3.55	5.5	6.1	A++
	9	12	-	2.79	3.41	-	6.20 (1.8 - 6.8)	1.90 (0.50 - 2.45)	3.26	6.2	5.9	A+
	9	14	-	2.66	3.94	-	6.60 (1.8 - 7.7)	1.91 (0.50 - 2.77)	3.46	6.6	6.0	A+
	9	18	-	2.35	4.35	-	6.70 (1.8 - 7.9)	1.91 (0.50 - 2.87)	3.51	6.7	5.9	A+
	12	12	-	3.15	3.15	-	6.30 (1.8 - 7.2)	1.90 (0.50 - 2.74)	3.32	6.3	5.9	A+
12	14	-	3.03	3.67	-	6.70 (1.8 - 7.8)	1.91 (0.50 - 2.87)	3.51	6.7	5.9	A+	
12	18	-	2.66	4.04	-	6.70 (1.8 - 7.9)	1.92 (0.50 - 2.87)	3.49	6.7	5.8	A+	
3 Room	7	7	7	2.23	2.23	2.23	6.70 (1.8 - 7.4)	1.89 (0.50 - 2.37)	3.54	6.7	6.4	A++
	7	7	9	2.14	2.14	2.52	6.80 (1.8 - 7.8)	1.94 (0.60 - 2.87)	3.51	6.8	6.4	A++
	7	7	12	1.98	1.98	2.84	6.80 (1.8 - 8.1)	1.93 (0.50 - 2.87)	3.52	6.8	6.3	A++
	7	7	14	1.82	1.82	3.16	6.80 (2.0 - 8.4)	1.94 (0.60 - 2.87)	3.51	6.8	6.2	A++
	7	7	18	1.63	1.63	3.54	6.80 (2.0 - 8.5)	1.94 (0.60 - 2.87)	3.51	6.8	6.1	A++
	7	9	9	2.03	2.38	2.38	6.80 (1.8 - 8.2)	1.93 (0.50 - 2.87)	3.52	6.8	6.4	A++
	7	9	12	1.88	2.21	2.70	6.80 (1.8 - 8.2)	1.93 (0.50 - 2.87)	3.52	6.8	6.2	A++
	7	9	14	1.74	2.04	3.02	6.80 (2.0 - 8.4)	1.94 (0.60 - 2.87)	3.51	6.8	6.2	A++
	7	9	18	1.56	1.84	3.40	6.80 (2.0 - 8.5)	1.94 (0.60 - 2.87)	3.51	6.8	6.1	A++
	7	12	12	1.76	2.52	2.52	6.80 (1.8 - 8.2)	1.94 (0.50 - 2.87)	3.51	6.8	6.2	A++
	7	12	14	1.63	2.34	2.83	6.80 (2.0 - 8.5)	1.94 (0.60 - 2.87)	3.51	6.8	6.2	A++
	9	9	9	2.27	2.27	2.27	6.80 (1.8 - 8.2)	1.94 (0.50 - 2.87)	3.51	6.8	6.4	A++
	9	9	12	2.11	2.11	2.58	6.80 (1.8 - 8.3)	1.94 (0.50 - 2.87)	3.51	6.8	6.2	A++
	9	9	14	1.95	1.95	2.89	6.80 (2.0 - 8.5)	1.94 (0.60 - 2.87)	3.51	6.8	6.2	A++
	9	9	18*1	1.77	1.77	3.27	6.80 (2.0 - 8.5)	1.94 (0.60 - 2.87)	3.51	6.8	6.1	A++
9	12	12	1.97	2.41	2.41	6.80 (1.8 - 8.3)	1.94 (0.50 - 2.87)	3.51	6.8	6.2	A++	
9	12	14	1.84	2.24	2.72	6.80 (2.0 - 8.5)	1.94 (0.60 - 2.87)	3.51	6.8	6.2	A++	
12	12	12	2.27	2.27	2.27	6.80 (1.8 - 8.3)	1.94 (0.50 - 2.87)	3.51	6.8	6.1	A++	

Notes:

- 7: 7000Btu/h, 9: 9000Btu/h, 12: 12000Btu/h, 14: 14000Btu/h, 18: 18000Btu/h models.
- The above is the value for connecting with Wall Mounted type.
- 2 or more indoor units should be connected.
- Cooling capacity is based on 27 °CDB / 19 °CWB (indoor temperature), 35 °CDB (outdoor temperature).
- Pipe length : 5m, Height difference : 0m. (Outdoor unit to indoor unit)
- The total ability of connected a indoor unit is up to 36000 Btu from 14000 Btu.
- *1: When "AS*G18L" is connected, connect at least 1 wall mounted type of 9000Btu.

OUTDOOR UNIT
AO*G18-24L3

OUTDOOR UNIT
AO*G18-24L3

● Heating

	Combination of indoor unit			HEATING OPERATION								
				Heating Capacity				Input Power (min-max)	COP	Seasonal Data		
				Room 1	Room 2	Room 3	Total Capacity (min-max)			Pdesign	SCOP	Energy Efficiency Class
				KW	KW	KW	KW	kW				
2 Room	7	7	-	2.75	2.75	-	5.50 (2.0 - 6.1)	1.55 (0.52 - 1.93)	3.55	4.0	4.1	A+
	7	9	-	2.80	3.30	-	6.10 (2.0 - 7.0)	1.82 (0.52 - 2.52)	3.35	4.0	4.1	A+
	7	12	-	2.88	4.12	-	7.00 (2.0 - 7.3)	2.31 (0.52 - 2.66)	3.03	4.0	4.1	A+
	7	14	-	2.80	4.80	-	7.60 (2.0 - 8.3)	2.28 (0.50 - 2.87)	3.33	4.0	4.1	A+
	7	18	-	2.51	5.39	-	7.90 (2.0 - 8.3)	2.34 (0.50 - 2.87)	3.38	4.0	4.1	A+
	9	9	-	3.30	3.30	-	6.60 (2.0 - 7.4)	2.04 (0.52 - 2.68)	3.24	4.0	4.1	A+
	9	12	-	3.30	4.00	-	7.30 (2.0 - 7.7)	2.43 (0.52 - 2.87)	3.00	4.0	4.1	A+
	9	14	-	3.22	4.68	-	7.90 (2.0 - 8.3)	2.38 (0.50 - 2.87)	3.32	4.0	4.1	A+
	9	18	-	2.84	5.16	-	8.00 (2.0 - 8.5)	2.32 (0.50 - 2.87)	3.45	4.0	4.1	A+
	12	12	-	3.80	3.80	-	7.60 (2.0 - 7.8)	2.54 (0.52 - 2.87)	2.99	4.0	4.1	A+
12	14	-	3.59	4.31	-	7.90 (2.0 - 8.4)	2.37 (0.50 - 2.87)	3.33	4.0	4.1	A+	
12	18	-	3.20	4.80	-	8.00 (2.0 - 8.6)	2.31 (0.50 - 2.87)	3.46	4.0	4.1	A+	
3 Room	7	7	7	2.60	2.60	2.60	7.80 (2.0 - 8.6)	1.94 (0.50 - 2.68)	4.02	5.0	4.3	A+
	7	7	9	2.52	2.52	2.96	8.00 (2.0 - 8.8)	2.00(0.50 - 2.87)	4.00	5.2	4.2	A+
	7	7	12	2.34	2.34	3.32	8.00 (2.0 - 8.9)	1.99 (0.50 - 2.80)	4.02	5.2	4.2	A+
	7	7	14	2.16	2.16	3.68	8.00 (2.0 - 9.2)	1.91 (0.50 - 2.72)	4.19	5.2	4.2	A+
	7	7	18	1.94	1.94	4.12	8.00 (2.0 - 9.2)	1.89 (0.50 - 2.70)	4.23	5.2	4.2	A+
	7	9	9	2.38	2.81	2.81	8.00(2.0 - 9.0)	1.99 (0.50 - 2.87)	4.02	5.2	4.2	A+
	7	9	12	2.23	2.62	3.15	8.00 (2.0 - 9.1)	1.98 (0.50 - 2.87)	4.04	5.2	4.2	A+
	7	9	14	2.06	2.42	3.52	8.00 (2.0 - 9.2)	1.91 (0.50 - 2.72)	4.19	5.2	4.2	A+
	7	9	18	1.85	2.18	3.97	8.00 (2.0 - 9.2)	1.89 (0.50 - 2.69)	4.23	5.2	4.2	A+
	7	12	12	2.08	2.96	2.96	8.00 (2.0 - 9.1)	1.97 (0.50 - 2.87)	4.06	5.2	4.2	A+
	7	12	14	1.93	2.76	3.31	8.00 (2.0 - 9.2)	1.90 (0.50 - 2.70)	4.21	5.2	4.2	A+
	9	9	9	2.67	2.67	2.67	8.00 (2.0 - 9.1)	1.98 (0.50 - 2.87)	4.04	5.2	4.2	A+
	9	9	12	2.49	2.49	3.02	8.00 (2.0 - 9.2)	1.97 (0.50 - 2.87)	4.06	5.2	4.2	A+
	9	9	14	2.32	2.32	3.37	8.00 (2.0 - 9.2)	1.89 (0.50 - 2.70)	4.23	5.2	4.2	A+
	9	9	18*1	2.10	2.10	3.81	8.00 (2.0 - 9.2)	1.87 (0.50 - 2.68)	4.28	5.2	4.2	A+
	9	12	12	2.34	2.83	2.83	8.00 (2.0 - 9.2)	1.96 (0.50 - 2.80)	4.08	5.2	4.2	A+
9	12	14	2.18	2.64	3.17	8.00 (2.0 - 9.2)	1.89 (0.50 - 2.69)	4.23	5.2	4.2	A+	
12	12	12	2.67	2.67	2.67	8.00 (2.0 - 9.2)	1.95 (0.50 - 2.78)	4.10	5.2	4.2	A+	

Notes:

- 7: 7000Btu/h, 9: 9000Btu/h, 12: 12000Btu/h ,14:14000Btu/h, 18:18000Btu/h models.
- The above is the value for connecting with Wall Mounted type.
- 2 or more indoor units should be connected.
- Heating capacity is based on 20 °CDB (indoor temperature), 7 °CDB / 6 °CWB (outdoor temperature).
- Pipe length : 5m, Height difference : 0m. (Outdoor unit to indoor unit)
- The total ability of connected a indoor unit is up to 36000 Btu from 14000 Btu.
- *1: When "AS*G18L" is connected, connect at least 1 wall mounted type of 9000Btu.

5-2. COOLING CAPACITY

This table is created using the maximum capacity.

Note: 2 or more indoor units should be connected.

MODEL: AO*G18L3

Indoor unit : 7000Btu

		Indoor temperature																					
		18°CDB			21°CDB			23°CDB			25°CDB			27°CDB			29°CDB			32°CDB			
		°CWB			°CWB			°CWB			°CWB			°CWB			°CWB						
7	Outdoor temperature (°CDB)	TC	SHC	IP	TC	SHC	IP	TC	SHC	IP	TC	SHC	IP	TC	SHC	IP	TC	SHC	IP	TC	SHC	IP	
		-10	2.17	1.64	0.31	2.42	1.65	0.31	2.50	1.80	0.31	2.66	1.80	0.31	2.74	1.95	0.32	2.91	1.94	0.32	2.99	1.94	0.32
		-5	2.08	1.60	0.35	2.31	1.61	0.35	2.39	1.75	0.35	2.55	1.76	0.36	2.63	1.90	0.36	2.79	1.89	0.36	2.87	1.89	0.36
		0	2.04	1.59	0.38	2.27	1.60	0.39	2.35	1.74	0.39	2.51	1.74	0.39	2.58	1.88	0.40	2.74	1.87	0.40	2.82	1.87	0.40
		5	2.02	1.58	0.39	2.25	1.59	0.40	2.33	1.73	0.40	2.48	1.73	0.40	2.56	1.87	0.41	2.72	1.86	0.41	2.79	1.86	0.41
		10	2.04	1.59	0.40	2.27	1.60	0.40	2.35	1.74	0.41	2.51	1.74	0.41	2.58	1.88	0.41	2.74	1.87	0.42	2.82	1.87	0.42
		15	1.99	1.56	0.41	2.21	1.57	0.42	2.29	1.71	0.42	2.44	1.72	0.43	2.52	1.85	0.43	2.67	1.85	0.43	2.74	1.84	0.43
		20	2.12	1.62	0.45	2.36	1.63	0.46	2.44	1.77	0.46	2.60	1.78	0.46	2.68	1.92	0.46	2.84	1.91	0.47	2.92	1.91	0.47
		25	2.05	1.59	0.45	2.29	1.60	0.46	2.36	1.74	0.46	2.52	1.75	0.47	2.60	1.89	0.47	2.75	1.88	0.48	2.83	1.88	0.48
		30	1.95	1.54	0.50	2.17	1.55	0.51	2.24	1.69	0.51	2.39	1.69	0.51	2.46	1.83	0.52	2.61	1.82	0.52	2.68	1.82	0.52
		35	2.13	1.63	0.72	2.38	1.64	0.74	2.46	1.78	0.74	2.62	1.79	0.75	2.70	1.93	0.75	2.86	1.92	0.76	2.94	1.92	0.76
		40	2.07	1.60	0.80	2.31	1.61	0.82	2.39	1.75	0.82	2.54	1.76	0.83	2.62	1.90	0.83	2.78	1.89	0.84	2.86	1.89	0.84
		46	1.89	1.53	0.91	2.11	1.54	0.93	2.18	1.67	0.93	2.32	1.68	0.94	2.39	1.81	0.95	2.54	1.81	0.95	2.61	1.80	0.96

Indoor unit : 9000Btu

		Indoor temperature																					
		18°CDB			21°CDB			23°CDB			25°CDB			27°CDB			29°CDB			32°CDB			
		°CWB			°CWB			°CWB			°CWB			°CWB			°CWB						
9	Outdoor temperature (°CDB)	TC	SHC	IP	TC	SHC	IP	TC	SHC	IP	TC	SHC	IP	TC	SHC	IP	TC	SHC	IP	TC	SHC	IP	
		-10	2.19	1.73	0.30	2.44	1.74	0.30	2.52	1.89	0.30	2.69	1.90	0.31	2.77	2.05	0.31	2.94	2.05	0.31	3.02	2.04	0.31
		-5	2.10	1.69	0.34	2.34	1.70	0.34	2.42	1.85	0.34	2.58	1.86	0.35	2.66	2.00	0.35	2.82	2.00	0.35	2.90	1.99	0.35
		0	2.06	1.67	0.37	2.30	1.68	0.38	2.38	1.83	0.38	2.53	1.84	0.38	2.61	1.98	0.38	2.77	1.98	0.39	2.85	1.97	0.39
		5	2.05	1.66	0.38	2.28	1.67	0.39	2.36	1.82	0.39	2.51	1.83	0.39	2.59	1.97	0.39	2.75	1.97	0.40	2.82	1.96	0.40
		10	2.06	1.67	0.39	2.30	1.68	0.39	2.38	1.83	0.39	2.53	1.84	0.40	2.61	1.98	0.40	2.77	1.98	0.40	2.85	1.97	0.41
		15	2.10	1.69	0.44	2.34	1.70	0.45	2.42	1.85	0.45	2.58	1.86	0.45	2.66	2.00	0.46	2.82	2.00	0.46	2.90	1.99	0.46
		20	2.41	1.83	0.56	2.69	1.84	0.57	2.78	2.00	0.57	2.97	2.01	0.58	3.06	2.17	0.58	3.24	2.16	0.59	3.33	2.16	0.59
		25	2.34	1.80	0.57	2.61	1.81	0.58	2.69	1.97	0.58	2.87	1.97	0.59	2.96	2.13	0.59	3.14	2.12	0.60	3.23	2.12	0.60
		30	2.22	1.74	0.63	2.47	1.75	0.64	2.55	1.91	0.64	2.72	1.91	0.65	2.81	2.07	0.65	2.98	2.06	0.65	3.06	2.06	0.66
		35	2.61	1.92	1.05	2.90	1.93	1.07	3.00	2.09	1.07	3.20	2.10	1.08	3.30	2.27	1.09	3.50	2.26	1.10	3.60	2.26	1.11
		40	2.47	1.86	1.17	2.75	1.87	1.19	2.85	2.03	1.19	3.03	2.04	1.20	3.13	2.20	1.21	3.32	2.19	1.22	3.41	2.19	1.23
		46	2.27	1.78	1.33	2.53	1.79	1.35	2.62	1.95	1.35	2.79	1.96	1.37	2.87	2.11	1.37	3.05	2.11	1.39	3.13	2.10	1.39

Indoor unit : 12000Btu

		Indoor temperature																					
		18°CDB			21°CDB			23°CDB			25°CDB			27°CDB			29°CDB			32°CDB			
		°CWB			°CWB			°CWB			°CWB			°CWB			°CWB						
12	Outdoor temperature (°CDB)	TC	SHC	IP	TC	SHC	IP	TC	SHC	IP	TC	SHC	IP	TC	SHC	IP	TC	SHC	IP	TC	SHC	IP	
		-10	2.75	2.08	0.40	3.07	2.10	0.40	3.17	2.28	0.41	3.38	2.29	0.41	3.48	2.47	0.41	3.69	2.46	0.42	3.80	2.45	0.42
		-5	2.64	2.03	0.45	2.94	2.04	0.46	3.04	2.22	0.46	3.24	2.23	0.46	3.34	2.41	0.47	3.54	2.40	0.47	3.64	2.39	0.47
		0	2.59	2.01	0.50	2.89	2.02	0.51	2.98	2.20	0.51	3.18	2.21	0.51	3.28	2.38	0.52	3.48	2.37	0.52	3.58	2.37	0.52
		5	2.57	2.00	0.51	2.86	2.01	0.52	2.96	2.19	0.52	3.15	2.20	0.53	3.25	2.37	0.53	3.45	2.36	0.53	3.54	2.36	0.54
		10	2.59	2.01	0.52	2.89	2.02	0.53	2.98	2.20	0.53	3.18	2.21	0.53	3.28	2.38	0.54	3.48	2.37	0.54	3.58	2.37	0.54
		15	2.52	1.98	0.54	2.81	1.99	0.55	2.91	2.16	0.55	3.10	2.17	0.55	3.19	2.35	0.56	3.38	2.34	0.56	3.48	2.33	0.57
		20	3.11	2.23	0.79	3.46	2.25	0.81	3.58	2.44	0.81	3.81	2.45	0.82	3.93	2.65	0.82	4.17	2.64	0.83	4.28	2.63	0.83
		25	3.01	2.19	0.80	3.35	2.21	0.82	3.47	2.40	0.82	3.69	2.41	0.83	3.81	2.60	0.83	4.04	2.59	0.84	4.15	2.58	0.85
		30	2.85	2.13	0.88	3.18	2.14	0.90	3.28	2.32	0.90	3.50	2.33	0.91	3.61	2.52	0.91	3.83	2.51	0.92	3.93	2.51	0.93
		35	2.92	2.16	1.11	3.26	2.17	1.13	3.37	2.36	1.13	3.59	2.37	1.14	3.70	2.56	1.15	3.92	2.55	1.16	4.03	2.54	1.17
		40	2.77	2.09	1.23	3.09	2.10	1.25	3.19	2.29	1.26	3.40	2.30	1.27	3.51	2.48	1.28	3.72	2.47	1.29	3.82	2.46	1.30
		46	2.55	2.01	1.40	2.84	2.02	1.42	2.93	2.20	1.43	3.13	2.20	1.44	3.22	2.38	1.45	3.42	2.37	1.46	3.51	2.37	1.47

Indoor unit : 14000Btu

		Indoor temperature																					
		18°CDB			21°CDB			23°CDB			25°CDB			27°CDB			29°CDB			32°CDB			
		°CWB			°CWB			°CWB			°CWB			°CWB			°CWB						
14	Outdoor temperature (°CDB)	TC	SHC	IP	TC	SHC	IP	TC	SHC	IP	TC	SHC	IP	TC	SHC	IP	TC	SHC	IP	TC	SHC	IP	
		-10	3.88	2.88	0.58	4.33	2.89	0.59	4.47	3.15	0.60	4.77	3.16	0.60	4.92	3.41	0.60	5.21	3.40	0.61	5.36	3.39	0.61
		-5	3.72	2.81	0.66	4.15	2.82	0.67	4.29	3.07	0.68	4.57	3.08	0.68	4.71	3.33	0.69	5.00	3.31	0.69	5.14	3.31	0.70
		0	3.66	2.78	0.73	4.07	2.80	0.74	4.21	3.04	0.74	4.49	3.05	0.75	4.63	3.29	0.76	4.91	3.28	0.76	5.05	3.27	0.77
		5	3.63	2.76	0.75	4.04	2.78	0.76	4.18	3.02	0.76	4.45	3.03	0.77	4.59	3.27	0.78	4.86	3.26	0.78	5.00	3.26	0.79
		10	3.66	2.78	0.76	4.07	2.80	0.77	4.21	3.04	0.77	4.49	3.05	0.78	4.63	3.29	0.79	4.91	3.28	0.79	5.05	3.27	0.80
		15	3.66	2.78	0.83	4.07	2.80	0.85	4.21	3.04	0.85	4.49	3.05	0.86	4.63	3.29	0.86	4.91	3.28	0.87	5.05	3.27	0.88
		20	3.82	2.85	0.87	4.26	2.87	0.88	4.40	3.12	0.89	4.69	3.13	0.90	4.84	3.38	0.90	5.13	3.36	0.91	5.27	3.36	0.92
		25	3.70	2.80	0.88	4.12	2.81	0.90	4.27	3.06	0.90	4.55	3.07	0.91	4.69	3.31	0.91	4.97	3.30	0.92	5.11	3.30	0.93
		30	3.51	2.71	0.97	3.91	2.73	0.98	4.04	2.97	0.99	4.31	2.98	1.00	4.44	3.21	1.00	4.71	3.20	1.01	4.84	3.20	1.02
		35	3.79	2.84	1.36	4.22	2.85	1.38	4.37	3.10	1.39	4.66	3.11	1.40	4.80	3.36	1.41	5.09	3.35	1.42	5.23	3.34	1.43
		40	3.59	2.75	1.51	4.00	2.77	1.53	4.14	3.01	1.54	4.41	3.02	1.56	4.55	3.26	1.57	4.82	3.25	1.58	4.96	3.24	1.59
		46	3.18	2.59	1.62	3.55	2.61	1.65	3.67	2.84	1.66	3.91	2.85	1.67	4.03	3.07	1.68	4.27	3.06	1.70	4.39	3.06	1.71

TC : Total Capacity (kW)
 SHC : Sensible Heat Capacity (kW)
 IP : Input Power (kW)

● Indoor unit : 7000Btu + 7000Btu

		Indoor temperature																							
		°CDB			18°CDB			21°CDB			23°CDB			25°CDB			27°CDB			29°CDB			32°CDB		
		°CWB			12°CWB			15°CWB			16°CWB			18°CWB			19°CWB			21°CWB			23°CWB		
7+7	Outdoor temperature	(°CDB)	TC	SHC	IP	TC	SHC	IP	TC	SHC	IP	TC	SHC	IP	TC	SHC	IP	TC	SHC	IP	TC	SHC	IP		
		-10	3.69	2.84	0.49	4.11	2.86	0.49	4.25	3.11	0.50	4.53	3.12	0.50	4.67	3.37	0.50	4.95	3.36	0.51	5.09	3.35	0.51		
		-5	3.54	2.78	0.55	3.94	2.79	0.56	4.07	3.04	0.56	4.34	3.05	0.57	4.48	3.29	0.57	4.74	3.28	0.58	4.88	3.27	0.58		
		0	3.47	2.75	0.61	3.87	2.76	0.62	4.00	3.00	0.62	4.27	3.02	0.63	4.40	3.26	0.63	4.66	3.24	0.64	4.79	3.24	0.64		
		5	3.44	2.73	0.62	3.84	2.75	0.63	3.97	2.99	0.64	4.23	3.00	0.64	4.36	3.24	0.65	4.62	3.23	0.65	4.75	3.22	0.66		
		10	3.47	2.75	0.63	3.87	2.76	0.64	4.00	3.00	0.65	4.27	3.02	0.65	4.40	3.26	0.66	4.66	3.24	0.66	4.79	3.24	0.67		
		15	3.38	2.70	0.66	3.77	2.72	0.67	3.90	2.96	0.67	4.15	2.97	0.68	4.28	3.21	0.68	4.54	3.19	0.69	4.67	3.19	0.69		
		20	4.16	3.05	0.97	4.64	3.07	0.99	4.80	3.34	0.99	5.11	3.35	1.00	5.27	3.62	1.01	5.59	3.60	1.02	5.75	3.60	1.02		
		25	4.03	3.00	0.98	4.49	3.01	1.00	4.65	3.28	1.00	4.95	3.29	1.01	5.11	3.55	1.02	5.41	3.54	1.03	5.57	3.53	1.03		
		30	3.82	2.90	1.08	4.26	2.92	1.10	4.40	3.18	1.10	4.69	3.19	1.11	4.84	3.44	1.12	5.13	3.43	1.13	5.28	3.42	1.14		
		35	3.95	2.96	1.38	4.40	2.98	1.40	4.55	3.24	1.41	4.85	3.25	1.42	5.00	3.51	1.43	5.30	3.49	1.44	5.45	3.49	1.45		
		40	3.74	2.87	1.53	4.17	2.89	1.56	4.31	3.14	1.56	4.60	3.15	1.58	4.74	3.40	1.59	5.02	3.39	1.60	5.17	3.38	1.61		
		46	3.44	2.76	1.88	3.83	2.77	1.88	3.96	3.01	1.88	4.23	3.03	1.88	4.36	3.27	1.88	4.62	3.25	1.88	4.75	3.25	1.88		

OUTDOOR UNIT
AO*G18-24L3

OUTDOOR UNIT
AO*G18-24L3

● Indoor unit : 7000Btu + 9000Btu

		Indoor temperature																							
		°CDB			18°CDB			21°CDB			23°CDB			25°CDB			27°CDB			29°CDB			32°CDB		
		°CWB			12°CWB			15°CWB			16°CWB			18°CWB			19°CWB			21°CWB			23°CWB		
7+9	Outdoor temperature	(°CDB)	TC	SHC	IP	TC	SHC	IP	TC	SHC	IP	TC	SHC	IP	TC	SHC	IP	TC	SHC	IP	TC	SHC	IP		
		-10	4.25	3.18	0.63	4.74	3.20	0.64	4.90	3.48	0.64	5.22	3.49	0.65	5.38	3.77	0.65	5.71	3.76	0.66	5.87	3.75	0.66		
		-5	4.08	3.10	0.71	4.54	3.12	0.73	4.69	3.39	0.73	5.00	3.41	0.74	5.16	3.68	0.74	5.47	3.67	0.75	5.62	3.66	0.75		
		0	4.00	3.07	0.79	4.46	3.09	0.80	4.61	3.36	0.80	4.92	3.37	0.81	5.07	3.64	0.82	5.37	3.63	0.82	5.53	3.62	0.83		
		5	3.97	3.06	0.81	4.42	3.08	0.82	4.57	3.34	0.83	4.87	3.36	0.83	5.02	3.62	0.84	5.33	3.61	0.85	5.48	3.60	0.85		
		10	4.00	3.07	0.82	4.46	3.09	0.83	4.61	3.36	0.84	4.92	3.37	0.85	5.07	3.64	0.85	5.37	3.63	0.86	5.53	3.62	0.86		
		15	3.90	3.03	0.85	4.34	3.04	0.86	4.49	3.31	0.87	4.79	3.32	0.88	4.93	3.59	0.88	5.23	3.57	0.89	5.38	3.57	0.90		
		20	4.45	3.26	1.07	4.95	3.29	1.09	5.12	3.57	1.09	5.46	3.58	1.10	5.63	3.87	1.11	5.97	3.86	1.12	6.13	3.85	1.12		
		25	4.31	3.21	1.08	4.80	3.23	1.10	4.96	3.51	1.11	5.29	3.52	1.12	5.45	3.80	1.12	5.78	3.79	1.13	5.94	3.78	1.14		
		30	4.08	3.11	1.19	4.55	3.13	1.21	4.70	3.40	1.21	5.01	3.41	1.23	5.17	3.68	1.23	5.48	3.67	1.25	5.63	3.66	1.25		
		35	4.50	3.29	1.75	5.02	3.31	1.77	5.19	3.60	1.78	5.53	3.61	1.80	5.70	3.90	1.81	6.04	3.88	1.83	6.21	3.88	1.84		
		40	4.28	3.19	1.94	4.77	3.21	1.97	4.93	3.49	1.98	5.26	3.51	2.00	5.42	3.78	2.01	5.74	3.77	2.03	5.91	3.76	2.06		
		46	3.50	2.92	1.88	3.90	2.93	1.88	4.03	3.19	1.88	4.30	3.20	1.88	4.43	3.45	1.88	4.70	3.44	1.88	4.83	3.44	1.88		

● Indoor unit : 7000Btu + 12000Btu

		Indoor temperature																							
		°CDB			18°CDB			21°CDB			23°CDB			25°CDB			27°CDB			29°CDB			32°CDB		
		°CWB			12°CWB			15°CWB			16°CWB			18°CWB			19°CWB			21°CWB			23°CWB		
7+12	Outdoor temperature	(°CDB)	TC	SHC	IP	TC	SHC	IP	TC	SHC	IP	TC	SHC	IP	TC	SHC	IP	TC	SHC	IP	TC	SHC	IP		
		-10	4.43	3.33	0.68	4.93	3.35	0.69	5.10	3.64	0.69	5.43	3.66	0.70	5.60	3.95	0.70	5.94	3.93	0.71	6.11	3.93	0.71		
		-5	4.24	3.25	0.77	4.72	3.27	0.78	4.88	3.55	0.78	5.21	3.57	0.79	5.37	3.85	0.79	5.69	3.84	0.80	5.85	3.83	0.81		
		0	4.17	3.22	0.85	4.64	3.24	0.86	4.80	3.52	0.86	5.12	3.53	0.87	5.27	3.81	0.88	5.59	3.80	0.88	5.75	3.79	0.89		
		5	4.13	3.20	0.87	4.60	3.22	0.88	4.76	3.50	0.89	5.07	3.51	0.89	5.23	3.79	0.90	5.54	3.78	0.91	5.70	3.77	0.91		
		10	4.17	3.22	0.88	4.64	3.24	0.89	4.80	3.52	0.90	5.12	3.53	0.91	5.27	3.81	0.91	5.59	3.80	0.92	5.75	3.79	0.92		
		15	4.16	3.22	0.96	4.64	3.24	0.98	4.79	3.52	0.98	5.11	3.53	0.99	5.27	3.81	1.00	5.59	3.80	1.01	5.74	3.79	1.01		
		20	5.11	3.62	1.42	5.69	3.64	1.44	5.88	3.96	1.44	6.27	3.97	1.46	6.47	4.29	1.47	6.85	4.28	1.48	7.05	4.27	1.49		
		25	4.95	3.55	1.43	5.51	3.58	1.46	5.70	3.89	1.46	6.08	3.90	1.48	6.26	4.21	1.48	6.64	4.20	1.50	6.83	4.19	1.51		
		30	4.69	3.45	1.57	5.23	3.47	1.60	5.40	3.77	1.61	5.76	3.78	1.62	5.94	4.08	1.63	6.29	4.07	1.65	6.47	4.06	1.66		
		35	4.82	3.50	1.99	5.37	3.52	2.02	5.55	3.83	2.03	5.92	3.84	2.06	6.10	4.15	2.06	6.47	4.13	2.06	6.65	4.13	2.06		
		40	4.39	3.32	1.99	4.90	3.34	2.02	5.06	3.63	2.03	5.40	3.64	2.06	5.56	3.93	2.06	5.90	3.92	2.06	6.06	3.91	2.06		
		46	3.56	3.03	1.88	3.97	3.05	1.88	4.10	3.31	1.88	4.37	3.32	1.88	4.51	3.59	1.88	4.78	3.58	1.88	4.92	3.57	1.88		

● Indoor unit : 7000Btu + 14000Btu

		Indoor temperature																							
		°CDB			18°CDB			21°CDB			23°CDB			25°CDB			27°CDB			29°CDB			32°CDB		
		°CWB			12°CWB			15°CWB			16°CWB			18°CWB			19°CWB			21°CWB			23°CWB		
7+14	Outdoor temperature	(°CDB)	TC	SHC	IP	TC	SHC	IP	TC	SHC	IP	TC	SHC	IP	TC	SHC	IP	TC	SHC	IP	TC	SHC	IP		
		-10	5.15	3.89	0.79	5.74	3.91	0.80	5.94	4.25	0.81	6.33	4.27	0.81	6.52	4.61	0.82	6.91	4.59	0.83	7.11	4.58	0.83		
		-5	4.94	3.79	0.90	5.50	3.82	0.91	5.69	4.15	0.91	6.06	4.17	0.92	6.25	4.50	0.93	6.63	4.48	0.94	6.81	4.47	0.94		
		0	4.85	3.76	0.99	5.40	3.78	1.00	5.59	4.11	1.01	5.96	4.12	1.02	6.14	4.45	1.02	6.51	4.44	1.03	6.69	4.43	1.04		
		5	4.81	3.74	1.01	5.36	3.76	1.03	5.54	4.09	1.03	5.90	4.10	1.05	6.09	4.43	1.05	6.45	4.41	1.06	6.64	4.40	1.07		
		10	4.85	3.76	1.03	5.40	3.78	1.04	5.59	4.11	1.05	5.96	4.12	1.06	6.14	4.45	1.06	6.51	4.44	1.07	6.69	4.43	1.08		
		15	5.05	3.84	1.23	5.62	3.87	1.25	5.81	4.20	1.25	6.20	4.22	1.27	6.39	4.55	1.27	6.77	4.54	1.28	6.96	4.53	1.29		
		20	5.76	4.15	1.55	6.42	4.18	1.57	6.64	4.54	1.58	7.08	4.56	1.59	7.30	4.92	1.60	7.73	4.90	1.62	7.95	4.89	1.63		
		25	5.58	4.08	1.57	6.22	4.10	1.59	6.43	4.46	1.60	6.86	4.47	1.61	7.07	4.83	1.62	7.49	4.81	1.64	7.70	4.80	1.65		
		30	5.29	3.95	1.72	5.90	3.98	1.75	6.10	4.32	1.76	6.50	4.34	1.77	6.70	4.68	1.78	7.10	4.67	1.80	7.30	4.66	1.81		
		35	5.21	3.92	1.99	5.81	3.94	2.02	6.01	4.28	2.03	6.40	4.30	2.06	6.60	4.64	2.06	7.00	4.62	2.06	7.19	4.62	2.06		
		40	4.66	3.67	1.95	5.19	3.69	1.98	5.37	4.01	1.99	5.72	4.03	2.01	5.90	4.35	2.02	6.25	4.33	2.06	6.43	4.33	2.06		
		46	3.75	3.34	1.88	4.18	3.36	1.88	4.32	3.66	1.88	4.60	3.67	1.88	4.75	3.96	1.88	5.03	3.95	1.88	5.17	3.94	1.88		

TC : Total Capacity (kW)
SHC : Sensible Heat Capacity (kW)
IP : Input Power (kW)

OUTDOOR UNIT
AO*G18-24L3

OUTDOOR UNIT
AO*G18-24L3

● Indoor unit : 9000Btu + 9000Btu

	°CDB	Indoor temperature																							
		18°CDB			21°CDB			23°CDB			25°CDB			27°CDB			29°CDB			32°CDB					
		°CWB			°CWB			°CWB			°CWB			°CWB			°CWB								
9+9	(°CDB)	TC	SHC	IP	TC	SHC	IP	TC	SHC	IP	TC	SHC	IP	TC	SHC	IP	TC	SHC	IP	TC	SHC	IP	TC	SHC	IP
	-10	4.38	3.34	0.64	4.88	3.36	0.65	5.04	3.65	0.65	5.38	3.67	0.66	5.54	3.96	0.66	5.87	3.94	0.67	6.04	3.94	0.67	6.04	3.94	0.67
	-5	4.20	3.26	0.72	4.67	3.28	0.73	4.83	3.56	0.74	5.15	3.58	0.75	5.31	3.86	0.75	5.63	3.85	0.76	5.79	3.84	0.76	5.79	3.84	0.76
	0	4.12	3.23	0.80	4.59	3.25	0.81	4.75	3.53	0.81	5.06	3.54	0.82	5.22	3.82	0.83	5.53	3.81	0.84	5.69	3.80	0.84	5.69	3.80	0.84
	5	4.09	3.21	0.82	4.55	3.23	0.83	4.71	3.51	0.84	5.02	3.52	0.84	5.17	3.80	0.85	5.48	3.79	0.86	5.64	3.78	0.86	5.64	3.78	0.86
	10	4.12	3.23	0.83	4.59	3.25	0.84	4.75	3.53	0.85	5.06	3.54	0.86	5.22	3.82	0.86	5.53	3.81	0.87	5.69	3.80	0.87	5.69	3.80	0.87
	15	4.23	3.27	0.96	4.71	3.30	0.98	4.87	3.58	0.98	5.19	3.59	0.99	5.36	3.88	1.00	5.68	3.87	1.01	5.84	3.86	1.01	5.84	3.86	1.01
	20	4.89	3.56	1.25	5.45	3.58	1.27	5.63	3.89	1.27	6.00	3.91	1.28	6.19	4.22	1.29	6.56	4.20	1.30	6.75	4.20	1.31	6.75	4.20	1.31
	25	4.74	3.50	1.26	5.28	3.52	1.28	5.46	3.82	1.29	5.82	3.84	1.30	6.00	4.14	1.31	6.36	4.13	1.32	6.54	4.12	1.33	6.54	4.12	1.33
	30	4.49	3.39	1.39	5.00	3.41	1.41	5.17	3.71	1.41	5.51	3.72	1.43	5.68	4.02	1.44	6.02	4.00	1.45	6.20	3.99	1.46	6.20	3.99	1.46
	35	4.90	3.56	1.99	5.46	3.59	2.02	5.64	3.90	2.03	6.01	3.91	2.06	6.20	4.22	2.06	6.57	4.21	2.06	6.76	4.20	2.06	6.76	4.20	2.06
	40	4.44	3.37	1.99	4.94	3.39	2.02	5.11	3.68	2.03	5.45	3.70	2.06	5.62	3.99	2.06	5.95	3.97	2.06	6.12	3.97	2.06	6.12	3.97	2.06
46	3.58	3.07	1.88	3.99	3.09	1.88	4.12	3.35	1.88	4.40	3.37	1.88	4.53	3.63	1.88	4.80	3.62	1.88	4.94	3.61	1.88	4.94	3.61	1.88	

● Indoor unit : 9000Btu + 12000Btu

	°CDB	Indoor temperature																							
		18°CDB			21°CDB			23°CDB			25°CDB			27°CDB			29°CDB			32°CDB					
		°CWB			°CWB			°CWB			°CWB			°CWB			°CWB								
9+12	(°CDB)	TC	SHC	IP	TC	SHC	IP	TC	SHC	IP	TC	SHC	IP	TC	SHC	IP	TC	SHC	IP	TC	SHC	IP	TC	SHC	IP
	-10	4.63	3.52	0.69	5.16	3.54	0.71	5.33	3.85	0.71	5.68	3.86	0.72	5.86	4.17	0.72	6.21	4.15	0.73	6.39	4.15	0.73	6.39	4.15	0.73
	-5	4.44	3.43	0.79	4.94	3.45	0.80	5.11	3.75	0.80	5.45	3.77	0.81	5.62	4.07	0.82	5.95	4.05	0.82	6.12	4.04	0.83	6.12	4.04	0.83
	0	4.36	3.40	0.87	4.86	3.42	0.88	5.02	3.71	0.89	5.35	3.73	0.90	5.52	4.03	0.90	5.85	4.01	0.91	6.01	4.00	0.91	6.01	4.00	0.91
	5	4.32	3.38	0.89	4.81	3.40	0.91	4.98	3.70	0.91	5.30	3.71	0.92	5.47	4.00	0.92	5.80	3.99	0.93	5.96	3.98	0.94	5.96	3.98	0.94
	10	4.36	3.40	0.90	4.86	3.42	0.92	5.02	3.71	0.92	5.35	3.73	0.93	5.52	4.03	0.94	5.85	4.01	0.95	6.01	4.00	0.95	6.01	4.00	0.95
	15	4.51	3.46	1.07	5.02	3.49	1.08	5.19	3.79	1.09	5.54	3.80	1.10	5.71	4.10	1.11	6.05	4.09	1.12	6.22	4.08	1.12	6.22	4.08	1.12
	20	5.50	3.89	1.55	6.13	3.91	1.57	6.34	4.25	1.58	6.76	4.27	1.59	6.96	4.61	1.60	7.38	4.59	1.62	7.59	4.58	1.63	7.59	4.58	1.63
	25	5.33	3.82	1.57	5.94	3.84	1.59	6.14	4.17	1.60	6.54	4.19	1.61	6.75	4.52	1.62	7.15	4.51	1.64	7.35	4.50	1.65	7.35	4.50	1.65
	30	5.05	3.70	1.72	5.63	3.72	1.75	5.82	4.05	1.76	6.20	4.06	1.77	6.40	4.39	1.78	6.78	4.37	1.80	6.97	4.36	1.81	6.97	4.36	1.81
	35	4.98	3.67	1.99	5.54	3.69	2.02	5.73	4.01	2.03	6.11	4.03	2.06	6.30	4.35	2.06	6.68	4.33	2.06	6.87	4.32	2.06	6.87	4.32	2.06
	40	4.46	3.44	1.95	4.97	3.46	1.98	5.14	3.77	1.99	5.48	3.78	2.01	5.65	4.08	2.02	5.99	4.07	2.06	6.16	4.06	2.06	6.16	4.06	2.06
46	3.62	3.15	1.88	4.04	3.17	1.88	4.17	3.44	1.88	4.45	3.46	1.88	4.59	3.73	1.88	4.86	3.72	1.88	5.00	3.71	1.88	5.00	3.71	1.88	

● Indoor unit : 9000Btu + 14000Btu

	°CDB	Indoor temperature																							
		18°CDB			21°CDB			23°CDB			25°CDB			27°CDB			29°CDB			32°CDB					
		°CWB			°CWB			°CWB			°CWB			°CWB			°CWB								
9+14	(°CDB)	TC	SHC	IP	TC	SHC	IP	TC	SHC	IP	TC	SHC	IP	TC	SHC	IP	TC	SHC	IP	TC	SHC	IP	TC	SHC	IP
	-10	5.47	4.13	0.87	6.09	4.15	0.88	6.30	4.51	0.89	6.72	4.53	0.90	6.92	4.89	0.90	7.34	4.87	0.91	7.55	4.86	0.91	7.55	4.86	0.91
	-5	5.24	4.03	0.98	5.84	4.05	1.00	6.04	4.40	1.00	6.44	4.42	1.02	6.64	4.77	1.02	7.03	4.75	1.03	7.23	4.75	1.04	7.23	4.75	1.04
	0	5.15	3.98	1.09	5.74	4.01	1.10	5.93	4.36	1.11	6.32	4.37	1.12	6.52	4.72	1.13	6.91	4.71	1.14	7.11	4.71	1.14	7.11	4.70	1.14
	5	5.11	3.96	1.11	5.69	3.99	1.13	5.88	4.34	1.14	6.27	4.35	1.15	6.46	4.70	1.16	6.85	4.68	1.17	7.04	4.67	1.17	7.04	4.67	1.17
	10	5.15	3.98	1.13	5.74	4.01	1.15	5.93	4.36	1.15	6.32	4.37	1.16	6.52	4.72	1.17	6.91	4.71	1.18	7.11	4.70	1.19	7.11	4.70	1.19
	15	5.44	4.11	1.39	6.06	4.14	1.42	6.27	4.50	1.42	6.68	4.52	1.44	6.88	4.87	1.44	7.30	4.86	1.46	7.50	4.85	1.47	7.50	4.85	1.47
	20	6.11	4.40	1.69	6.80	4.43	1.72	7.03	4.81	1.73	7.50	4.83	1.75	7.73	5.21	1.75	8.19	5.19	1.77	8.42	5.18	1.78	8.42	5.18	1.78
	25	5.91	4.32	1.71	6.59	4.35	1.74	6.81	4.72	1.75	7.26	4.74	1.77	7.49	5.12	1.78	7.94	5.10	1.79	8.16	5.09	1.80	8.16	5.09	1.80
	30	5.61	4.19	1.88	6.25	4.21	1.91	6.46	4.58	1.92	6.88	4.60	1.94	7.10	4.96	1.95	7.52	4.94	1.97	7.74	4.93	1.98	7.74	4.93	1.98
	35	5.29	4.05	1.99	5.90	4.07	2.02	6.10	4.43	2.03	6.50	4.44	2.06	6.70	4.80	2.06	7.06	4.78	2.06	7.30	4.77	2.06	7.30	4.77	2.06
	40	4.73	3.79	1.95	5.27	3.82	1.98	5.45	4.15	1.99	5.81	4.16	2.01	5.99	4.50	2.02	6.35	4.48	2.06	6.53	4.47	2.06	6.53	4.47	2.06
46	3.81	3.46	1.88	4.24	3.48	1.88	4.38	3.78	1.88	4.67	3.79	1.88	4.82	4.09	1.88	5.11	4.08	1.88	5.25	4.07	1.88	5.25	4.07	1.88	

● Indoor unit : 12000Btu + 12000Btu

	°CDB	Indoor temperature																							
		18°CDB			21°CDB			23°CDB			25°CDB			27°CDB			29°CDB			32°CDB					
		°CWB			°CWB			°CWB			°CWB			°CWB			°CWB								
12+12	(°CDB)	TC	SHC	IP	TC	SHC	IP	TC	SHC	IP	TC	SHC	IP	TC	SHC	IP	TC	SHC	IP	TC	SHC	IP	TC	SHC	IP
	-10	4.92	3.69	0.79	5.48	3.71	0.80	5.67	4.04	0.81	6.04	4.05	0.81	6.23	4.37	0.82	6.60	4.36	0.83	6.79	4.35	0.83	6.79	4.35	0.83
	-5	4.71	3.60	0.90	5.25	3.62	0.91	5.43	3.94	0.91	5.79	3.95	0.92	5.97	4.27	0.93	6.32	4.25	0.94	6.50	4.24	0.94	6.50	4.24	0.94
	0	4.63	3.56	0.99	5.16	3.59	1.00	5.33	3.90	1.01	5.69	3.91	1.02	5.86	4.22	1.02	6.21	4.21	1.03	6.39	4.20	1.04	6.39	4.20	1.04
	5	4.59	3.55	1.01	5.11	3.57	1.03	5.29	3.88	1.03	5.64	3.89	1.05	5.81	4.20	1.05	6.16	4.19	1.06	6.33	4.18	1.07	6.33	4.18	1.07
	10	4.63	3.56	1.03	5.16	3.59	1.04	5.33	3.90	1.05	5.69	3.91	1.06	5.86	4.22	1.06	6.21	4.21	1.07	6.39	4.20	1.08	6.39	4.20	1.08
	15	4.82	3.65	1.23	5.36	3.67	1.25	5.55	3.99	1.25	5.91	4.00	1.27	6.10	4.32	1.27	6.46	4.30	1.28	6.65	4.30	1.29	6.65	4.30	1.29
	20	5.98	4.13	1.84	6.66	4.16	1.87	6.88	4.52	1.88	7.34	4.54	1.90	7.56	4.90										

● Indoor unit : 12000Btu + 14000Btu

		Indoor temperature																								
		°CDB			18°CDB			21°CDB			23°CDB			25°CDB			27°CDB			29°CDB			32°CDB			
		°CWB			12°CWB			15°CWB			16°CWB			18°CWB			19°CWB			21°CWB			23°CWB			
12+14	Outdoor temperature	(°CDB)	TC	SHC	IP	TC	SHC	IP	TC	SHC	IP	TC	SHC	IP	TC	SHC	IP	TC	SHC	IP	TC	SHC	IP	TC	SHC	IP
		-10	5.93	4.38	1.03	6.61	4.41	1.05	6.83	4.79	1.05	7.29	4.81	1.06	7.51	5.19	1.07	7.96	5.17	1.08	8.19	5.16	1.09			
		-5	5.69	4.27	1.17	6.33	4.30	1.19	6.55	4.67	1.19	6.98	4.69	1.21	7.20	5.06	1.21	7.63	5.05	1.22	7.85	5.04	1.23			
		0	5.59	4.23	1.29	6.22	4.26	1.31	6.44	4.63	1.32	6.86	4.64	1.33	7.07	5.01	1.34	7.50	5.00	1.35	7.71	4.99	1.36			
		5	5.54	4.21	1.32	6.17	4.24	1.35	6.38	4.60	1.35	6.80	4.62	1.37	7.01	4.99	1.37	7.43	4.97	1.39	7.64	4.96	1.39			
		10	5.59	4.23	1.34	6.22	4.26	1.36	6.44	4.63	1.37	6.86	4.64	1.38	7.07	5.01	1.39	7.50	5.00	1.40	7.71	4.99	1.41			
		15	5.75	4.30	1.57	6.40	4.33	1.59	6.62	4.70	1.60	7.06	4.72	1.61	7.27	5.10	1.62	7.71	5.08	1.64	7.93	5.07	1.65			
		20	6.60	4.66	1.99	7.35	4.69	2.02	7.60	5.10	2.03	8.10	5.11	2.06	8.35	5.52	2.06	8.85	5.50	2.06	9.11	5.49	2.06			
		25	6.35	4.55	1.99	7.07	4.58	2.02	7.31	4.98	2.03	7.79	5.00	2.06	8.03	5.40	2.06	8.52	5.38	2.06	8.76	5.37	2.06			
		30	5.74	4.30	1.99	6.40	4.33	2.02	6.62	4.70	2.03	7.05	4.72	2.06	7.27	5.09	2.06	7.71	5.08	2.06	7.93	5.07	2.06			
		35	5.29	4.10	1.99	5.90	4.13	2.02	6.10	4.48	2.03	6.50	4.50	2.06	6.70	4.86	2.06	7.10	4.84	2.06	7.30	4.83	2.06			
40	4.73	3.84	1.95	5.27	3.87	1.98	5.45	4.20	1.99	5.81	4.22	2.01	5.99	4.55	2.02	6.35	4.54	2.06	6.53	4.53	2.06					
46	3.81	3.50	1.88	4.24	3.52	1.88	4.38	3.83	1.88	4.67	3.84	1.88	4.82	4.15	1.88	5.11	4.13	1.88	5.25	4.12	1.88					

● Indoor unit : 7000Btu + 7000Btu + 7000Btu

		Indoor temperature																								
		°CDB			18°CDB			21°CDB			23°CDB			25°CDB			27°CDB			29°CDB			32°CDB			
		°CWB			12°CWB			15°CWB			16°CWB			18°CWB			19°CWB			21°CWB			23°CWB			
7+7+7	Outdoor temperature	(°CDB)	TC	SHC	IP	TC	SHC	IP	TC	SHC	IP	TC	SHC	IP	TC	SHC	IP	TC	SHC	IP	TC	SHC	IP	TC	SHC	IP
		-10	5.12	4.03	0.73	5.71	4.06	0.74	5.90	4.41	0.75	6.29	4.43	0.76	6.48	4.78	0.76	6.87	4.76	0.77	7.07	4.75	0.77			
		-5	4.91	3.94	0.83	5.47	3.96	0.84	5.65	4.30	0.85	6.03	4.32	0.86	6.21	4.66	0.86	6.59	4.65	0.87	6.77	4.64	0.87			
		0	4.82	3.90	0.92	5.37	3.92	0.93	5.56	4.26	0.93	5.92	4.28	0.94	6.11	4.62	0.95	6.47	4.60	0.96	6.66	4.59	0.96			
		5	4.78	3.88	0.94	5.33	3.90	0.95	5.51	4.24	0.96	5.87	4.25	0.97	6.05	4.59	0.97	6.41	4.58	0.98	6.60	4.57	0.99			
		10	4.82	3.90	0.95	5.37	3.92	0.97	5.56	4.26	0.97	5.92	4.28	0.98	6.11	4.62	0.99	6.47	4.60	1.00	6.66	4.59	1.00			
		15	4.70	3.83	0.99	5.23	3.86	1.00	5.41	4.19	1.01	5.77	4.21	1.02	5.94	4.54	1.02	6.30	4.53	1.03	6.48	4.52	1.04			
		20	5.94	4.39	1.55	6.62	4.42	1.57	6.84	4.81	1.58	7.29	4.82	1.59	7.52	5.21	1.60	7.97	5.19	1.62	8.19	5.18	1.63			
		25	5.75	4.31	1.57	6.41	4.34	1.59	6.63	4.72	1.60	7.06	4.74	1.61	7.28	5.11	1.62	7.72	5.09	1.64	7.94	5.09	1.65			
		30	5.45	4.18	1.72	6.07	4.21	1.75	6.28	4.57	1.76	6.70	4.59	1.77	6.90	4.96	1.78	7.32	4.94	1.80	7.52	4.93	1.81			
		35	5.37	4.15	1.99	5.98	4.17	2.02	6.19	4.53	2.03	6.60	4.55	2.06	6.80	4.91	2.06	7.21	4.90	2.06	7.41	4.89	2.06			
40	4.80	3.89	1.95	5.35	3.91	1.98	5.53	4.25	1.99	5.90	4.27	2.01	6.08	4.60	2.02	6.44	4.59	2.06	6.63	4.58	2.06					
46	3.86	3.54	1.88	4.30	3.56	1.88	4.45	3.87	1.88	4.74	3.89	1.88	4.89	4.19	1.88	5.18	4.18	1.88	5.33	4.17	1.88					

● Indoor unit : 7000Btu + 7000Btu + 9000Btu

		Indoor temperature																								
		°CDB			18°CDB			21°CDB			23°CDB			25°CDB			27°CDB			29°CDB			32°CDB			
		°CWB			12°CWB			15°CWB			16°CWB			18°CWB			19°CWB			21°CWB			23°CWB			
7+7+9	Outdoor temperature	(°CDB)	TC	SHC	IP	TC	SHC	IP	TC	SHC	IP	TC	SHC	IP	TC	SHC	IP	TC	SHC	IP	TC	SHC	IP	TC	SHC	IP
		-10	5.31	4.19	0.79	5.91	4.22	0.80	6.11	4.59	0.81	6.52	4.61	0.81	6.72	4.97	0.82	7.12	4.95	0.83	7.32	4.94	0.83			
		-5	5.09	4.09	0.90	5.67	4.12	0.91	5.86	4.48	0.91	6.25	4.49	0.92	6.44	4.85	0.93	6.83	4.83	0.94	7.02	4.82	0.94			
		0	5.00	4.05	0.99	5.57	4.08	1.00	5.76	4.43	1.01	6.14	4.45	1.02	6.33	4.80	1.02	6.71	4.78	1.03	6.90	4.77	1.04			
		5	4.95	4.03	1.01	5.52	4.06	1.03	5.71	4.41	1.03	6.08	4.42	1.05	6.27	4.78	1.05	6.65	4.76	1.06	6.84	4.75	1.07			
		10	5.00	4.05	1.03	5.57	4.08	1.04	5.76	4.43	1.05	6.14	4.45	1.06	6.33	4.80	1.06	6.71	4.78	1.07	6.90	4.77	1.08			
		15	5.09	4.09	1.17	5.67	4.12	1.19	5.86	4.48	1.20	6.25	4.49	1.21	6.44	4.85	1.22	6.83	4.83	1.23	7.02	4.82	1.23			
		20	6.20	4.59	1.69	6.90	4.62	1.72	7.14	5.02	1.73	7.61	5.04	1.75	7.84	5.44	1.75	8.31	5.42	1.77	8.55	5.41	1.78			
		25	6.00	4.50	1.71	6.69	4.53	1.74	6.92	4.93	1.75	7.37	4.95	1.77	7.60	5.34	1.78	8.06	5.32	1.79	8.28	5.31	1.80			
		30	5.69	4.37	1.88	6.34	4.39	1.91	6.56	4.78	1.92	6.99	4.79	1.94	7.20	5.18	1.95	7.64	5.16	1.97	7.85	5.15	1.98			
		35	5.37	4.22	1.99	5.98	4.25	2.02	6.19	4.62	2.03	6.60	4.64	2.06	6.80	5.01	2.06	7.21	4.99	2.06	7.41	4.98	2.06			
40	4.80	3.96	1.95	5.35	3.98	1.98	5.53	4.33	1.99	5.90	4.35	2.01	6.08	4.69	2.02	6.44	4.67	2.06	6.63	4.67	2.06					
46	3.86	3.60	1.88	4.30	3.63	1.88	4.45	3.94	1.88	4.74	3.96	1.88	4.89	4.27	1.88	5.18	4.26	1.88	5.33	4.25	1.88					

● Indoor unit : 7000Btu + 7000Btu + 12000Btu

		Indoor temperature																								
		°CDB			18°CDB			21°CDB			23°CDB			25°CDB			27°CDB			29°CDB			32°CDB			
		°CWB			12°CWB			15°CWB			16°CWB			18°CWB			19°CWB			21°CWB			23°CWB			
7+7+12	Outdoor temperature	(°CDB)	TC	SHC	IP	TC	SHC	IP	TC	SHC	IP	TC	SHC	IP	TC	SHC	IP	TC	SHC	IP	TC	SHC	IP	TC	SHC	IP
		-10	5.67	4.41	0.91	6.32	4.44	0.92	6.53	4.83	0.93	6.96	4.85	0.94	7.18	5.23	0.94	7.61	5.21	0.95	7.82	5.20	0.96			
		-5	5.43	4.31	1.03	6.05	4.33	1.05	6.26	4.71	1.05	6.67	4.73	1.06	6.88	5.10	1.07	7.29	5.09	1.08	7.50	5.08	1.08			
		0	5.34	4.26	1.14	5.95	4.29	1.15	6.15	4.66	1.16	6.56	4.68	1.17	6.76	5.05	1.18	7.17	5.03	1.19	7.37	5.02	1.19			
		5	5.29	4.24	1.17	5.90	4.27	1.18	6.10	4.64	1.19	6.50	4.66	1.20	6.70	5.03	1.21	7.10	5.01	1.22	7.30	5.00	1.23			
		10	5.34	4.26	1.18	5.95	4.29	1.20	6.15	4.66	1.21	6.56	4.68	1.22	6.76	5.05	1.22	7.17	5.03	1.24	7.37	5.02	1.24			
		15	5.52	4.35	1.39	6.15	4.37	1.42	6.36	4.75	1.42	6.78	4.77	1.44	6.99	5.15	1.44	7.41	5.13	1.46	7.62	5.12	1.47			
		20	6.70	4.86	1.99	7.46	4.89	2.02	7.72	5.32	2.03	8.22	5.34	2.06	8.48	5.76	2.06	8.99	5.74	2.06	9.24	5.73	2.06			
		25	6.44	4.75	1.99	7.17	4.78	2.02	7.42	5.20	2.03	7.91	5.22	2.06	8.15	5.63	2.06	8.64	5.61	2.06	8.89	5.60	2.06			
		30	5.83	4.49	1.99	6.49	4.51	2.02	6.72	4.91	2.03	7.16	4.92	2.06	7.38	5.32	2.06	7.82	5.30	2.06	8.04	5.29	2.06			
		35	5.37	4.28	1.99	5.98	4.30	2.02	6.19	4.68	2.03	6.60	4.70	2.06	6.80	5.07	2.06	7.21	5.05	2.06	7.41	5.04	2.06			
40	4.80	4.01	1.95	5.35	4.03	1.98	5.53	4.38	1.99	5.90	4.40	2.01	6.08	4.75	2.02	6.44	4.73	2.06	6.63	4.72	2.06					
46	3.86	3.65	1.88	4.30	3.67	1.88	4.45	3.99	1.88	4.74	4.01	1.88	4.89	4.33	1.88	5.18	4.31	1.88	5.33	4.30	1.88					

TC : Total Capacity (kW)
SHC : Sensible Heat Capacity (kW)
IP : Input Power (kW)

● Indoor unit : 7000Btu + 7000Btu + 14000Btu

		Indoor temperature																					
		18°CDB			21°CDB			23°CDB			25°CDB			27°CDB			29°CDB			32°CDB			
		°CWB			15°CWB			16°CWB			18°CWB			19°CWB			21°CWB			23°CWB			
7+7+14	Outdoor temperature	(°CDB)	TC	SHC	IP	TC	SHC	IP	TC	SHC	IP	TC	SHC	IP	TC	SHC	IP	TC	SHC	IP	TC	SHC	IP
		-10	6.36	4.94	1.16	7.09	4.97	1.18	7.33	5.40	1.18	7.81	5.43	1.20	8.05	5.86	1.20	8.54	5.84	1.21	8.78	5.83	1.22
		-5	6.10	4.82	1.31	6.79	4.85	1.34	7.02	5.27	1.34	7.49	5.29	1.36	7.72	5.71	1.36	8.18	5.69	1.38	8.41	5.68	1.38
		0	5.99	4.77	1.45	6.67	4.80	1.47	6.90	5.22	1.48	7.36	5.24	1.50	7.58	5.66	1.50	8.04	5.64	1.52	8.27	5.63	1.53
		5	5.94	4.75	1.49	6.62	4.78	1.51	6.84	5.19	1.52	7.29	5.21	1.54	7.52	5.63	1.54	7.97	5.61	1.56	8.19	5.60	1.57
		10	5.99	4.77	1.51	6.67	4.80	1.53	6.90	5.22	1.54	7.36	5.24	1.56	7.58	5.66	1.56	8.04	5.64	1.58	8.27	5.63	1.59
		15	6.09	4.82	1.71	6.78	4.85	1.74	7.01	5.27	1.75	7.47	5.29	1.77	7.70	5.71	1.78	8.17	5.69	1.79	8.40	5.68	1.80
		20	6.94	5.20	1.99	7.73	5.23	2.02	8.00	5.68	2.03	8.52	5.71	2.06	8.79	6.16	2.06	9.31	6.14	2.06	9.58	6.13	2.06
		25	6.44	4.98	1.99	7.17	5.01	2.02	7.42	5.44	2.03	7.91	5.46	2.06	8.15	5.90	2.06	8.64	5.88	2.06	8.89	5.87	2.06
		30	5.83	4.70	1.99	6.49	4.73	2.02	6.72	5.14	2.03	7.16	5.16	2.06	7.38	5.57	2.06	7.82	5.55	2.06	8.04	5.54	2.06
		35	5.37	4.48	1.99	5.98	4.51	2.02	6.19	4.90	2.03	6.60	4.92	2.06	6.80	5.31	2.06	7.21	5.29	2.06	7.41	5.28	2.06
40	4.80	4.20	1.95	5.35	4.22	1.98	5.53	4.59	1.99	5.90	4.61	2.01	6.08	4.98	2.02	6.44	4.96	2.06	6.63	4.95	2.06		
46	3.86	3.82	1.88	4.30	3.85	1.88	4.45	4.18	1.88	4.74	4.20	1.88	4.89	4.53	1.88	5.18	4.52	1.88	5.33	4.51	1.88		

● Indoor unit : 7000Btu + 9000Btu + 9000Btu

		Indoor temperature																					
		18°CDB			21°CDB			23°CDB			25°CDB			27°CDB			29°CDB			32°CDB			
		°CWB			15°CWB			16°CWB			18°CWB			19°CWB			21°CWB			23°CWB			
7+9+9	Outdoor temperature	(°CDB)	TC	SHC	IP	TC	SHC	IP	TC	SHC	IP	TC	SHC	IP	TC	SHC	IP	TC	SHC	IP	TC	SHC	IP
		-10	5.55	4.39	0.87	6.18	4.42	0.88	6.39	4.80	0.89	6.82	4.82	0.90	7.03	5.21	0.90	7.45	5.19	0.91	7.66	5.18	0.91
		-5	5.32	4.29	0.98	5.93	4.31	1.00	6.13	4.69	1.00	6.53	4.71	1.02	6.73	5.08	1.02	7.14	5.06	1.03	7.34	5.05	1.04
		0	5.23	4.24	1.09	5.82	4.27	1.10	6.02	4.64	1.11	6.42	4.66	1.12	6.62	5.03	1.13	7.01	5.01	1.14	7.21	5.00	1.14
		5	5.18	4.22	1.11	5.77	4.25	1.13	5.97	4.62	1.14	6.36	4.63	1.15	6.56	5.00	1.16	6.95	4.98	1.17	7.15	4.98	1.17
		10	5.23	4.24	1.13	5.82	4.27	1.15	6.02	4.64	1.15	6.42	4.66	1.16	6.62	5.03	1.17	7.01	5.01	1.18	7.21	5.00	1.19
		15	5.52	4.38	1.39	6.15	4.41	1.42	6.36	4.79	1.42	6.78	4.81	1.44	6.99	5.19	1.44	7.41	5.17	1.46	7.62	5.16	1.47
		20	6.60	4.86	1.93	7.35	4.89	1.96	7.60	5.31	1.97	8.10	5.33	1.99	8.35	5.76	2.00	8.85	5.74	2.03	9.11	5.72	2.06
		25	6.39	4.77	1.99	7.12	4.80	2.02	7.36	5.21	2.03	7.85	5.24	2.06	8.09	5.65	2.06	8.58	5.63	2.06	8.82	5.62	2.06
		30	5.83	4.52	1.99	6.49	4.55	2.02	6.72	4.94	2.03	7.16	4.96	2.06	7.38	5.36	2.06	7.82	5.34	2.06	8.04	5.33	2.06
		35	5.37	4.31	1.99	5.98	4.34	2.02	6.19	4.71	2.03	6.60	4.73	2.06	6.80	5.11	2.06	7.21	5.09	2.06	7.41	5.08	2.06
40	4.80	4.04	1.95	5.35	4.07	1.98	5.53	4.42	1.99	5.90	4.43	2.01	6.08	4.79	2.02	6.44	4.77	2.06	6.63	4.76	2.06		
46	3.86	3.68	1.88	4.30	3.70	1.88	4.45	4.02	1.88	4.74	4.04	1.88	4.89	4.36	1.88	5.18	4.34	1.88	5.33	4.34	1.88		

● Indoor unit : 7000Btu + 9000Btu + 12000Btu

		Indoor temperature																					
		18°CDB			21°CDB			23°CDB			25°CDB			27°CDB			29°CDB			32°CDB			
		°CWB			15°CWB			16°CWB			18°CWB			19°CWB			21°CWB			23°CWB			
7+9+12	Outdoor temperature	(°CDB)	TC	SHC	IP	TC	SHC	IP	TC	SHC	IP	TC	SHC	IP	TC	SHC	IP	TC	SHC	IP	TC	SHC	IP
		-10	6.02	4.66	1.03	6.71	4.69	1.05	6.94	5.10	1.05	7.39	5.12	1.06	7.62	5.53	1.07	8.08	5.51	1.08	8.31	5.50	1.09
		-5	5.77	4.55	1.17	6.43	4.58	1.19	6.65	4.98	1.19	7.09	5.00	1.21	7.31	5.39	1.21	7.74	5.37	1.22	7.96	5.36	1.23
		0	5.67	4.50	1.29	6.32	4.53	1.31	6.53	4.93	1.32	6.96	4.94	1.33	7.18	5.34	1.34	7.61	5.32	1.35	7.82	5.31	1.36
		5	5.62	4.48	1.32	6.26	4.51	1.35	6.47	4.90	1.35	6.90	4.92	1.37	7.11	5.31	1.37	7.54	5.29	1.39	7.75	5.28	1.39
		10	5.67	4.50	1.34	6.32	4.53	1.36	6.53	4.93	1.37	6.96	4.94	1.38	7.18	5.34	1.39	7.61	5.32	1.40	7.82	5.31	1.41
		15	5.83	4.58	1.57	6.50	4.61	1.59	6.72	5.01	1.60	7.16	5.03	1.61	7.38	5.43	1.62	7.83	5.41	1.64	8.05	5.40	1.65
		20	6.94	5.06	1.99	7.73	5.10	2.02	8.00	5.54	2.03	8.52	5.56	2.06	8.79	6.00	2.06	9.31	5.98	2.06	9.58	5.97	2.06
		25	6.44	4.85	1.99	7.17	4.88	2.02	7.42	5.30	2.03	7.91	5.32	2.06	8.15	5.75	2.06	8.64	5.73	2.06	8.89	5.72	2.06
		30	5.83	4.58	1.99	6.49	4.61	2.02	6.72	5.01	2.03	7.16	5.03	2.06	7.38	5.42	2.06	7.82	5.40	2.06	8.04	5.40	2.06
		35	5.37	4.36	1.99	5.98	4.39	2.02	6.19	4.77	2.03	6.60	4.79	2.06	6.80	5.17	2.06	7.21	5.15	2.06	7.41	5.14	2.06
40	4.80	4.09	1.95	5.35	4.12	1.98	5.53	4.47	1.99	5.90	4.49	2.01	6.08	4.85	2.02	6.44	4.83	2.06	6.63	4.82	2.06		
46	3.86	3.73	1.88	4.30	3.75	1.88	4.45	4.07	1.88	4.74	4.09	1.88	4.89	4.42	1.88	5.18	4.40	1.88	5.33	4.39	1.88		

● Indoor unit : 7000Btu + 9000Btu + 14000Btu

		Indoor temperature																					
		18°CDB			21°CDB			23°CDB			25°CDB			27°CDB			29°CDB			32°CDB			
		°CWB			15°CWB			16°CWB			18°CWB			19°CWB			21°CWB			23°CWB			
7+9+14	Outdoor temperature	(°CDB)	TC	SHC	IP	TC	SHC	IP	TC	SHC	IP	TC	SHC	IP	TC	SHC	IP	TC	SHC	IP	TC	SHC	IP
		-10	6.36	5.03	1.16	7.09	5.06	1.18	7.33	5.50	1.18	7.81	5.52	1.20	8.05	5.96	1.20	8.54	5.94	1.21	8.78	5.93	1.22
		-5	6.10	4.91	1.31	6.79	4.94	1.34	7.02	5.37	1.34	7.49	5.39	1.36	7.72	5.82	1.36	8.18	5.80	1.38	8.41	5.79	1.38
		0	5.99	4.86	1.45	6.67	4.89	1.47	6.90	5.31	1.48	7.36	5.33	1.50	7.58	5.76	1.50	8.04	5.74	1.52	8.27	5.73	1.53
		5	5.94	4.83	1.49	6.62	4.86	1.51	6.84	5.29	1.52	7.29	5.31	1.54	7.52	5.73	1.54	7.97	5.71	1.56	8.19	5.70	1.57
		10	5.99	4.86	1.51	6.67	4.89	1.53	6.90	5.31	1.54	7.36	5.33	1.56	7.58	5.76	1.56	8.04	5.74	1.58	8.27	5.73	1.59
		15	6.48	5.09	1.99	7.22	5.12	2.02	7.47	5.56	2.03	7.96	5.58	2.06	8.20	6.03	2.06	8.70	6.01	2.06	8.94	5.99	2.06
		20	6.94	5.29	1.99	7.73	5.33	2.02	8.00	5.79	2.03	8.52	5.81	2.06	8.79	6.27	2.06	9.31	6.25	2.06	9.58	6.24	2.06
		25	6.44	5.07	1.99	7.17	5.10	2.02	7.42	5.54	2.03	7.91	5.56	2.06	8.15	6.00	2.06	8.64	5.98	2.06	8.89	5.97	2.06
		30	5.83	4.78	1.99	6.49	4.81	2.02	6.72	5.23	2.03	7.16	5.25	2.06	7.38	5.67	2.06	7.82	5.65	2.06	8.04	5.64	2.06
		35	5.37	4.56	1.99	5.98	4.59	2.02	6.19	4.99	2.03	6.60	5.01	2.06	6.80	5.40	2.06	7.21	5.39	2.06	7.41	5.38	2.06
40	4.80	4.27	1.95	5.35	4.30	1.98	5.53	4.67	1.99	5.90	4.69	2.01	6.08	5.06	2.02	6.44	5.05	2.06	6.63	5.04	2.06		
46	3.86	3.86	1.88	4.30	3.92	1.88	4.45	4.26	1.88	4.74	4.27	1.88	4.89	4.61	1.88	5.18	4.60	1.88	5.33	4.59	1.88		

TC : Total Capacity (kW)
 SHC : Sensible Heat Capacity (kW)
 IP : Input Power (kW)

● Indoor unit : 9000Btu + 9000Btu + 9000Btu

		Indoor temperature																							
		18°CDB			21°CDB			23°CDB			25°CDB			27°CDB			29°CDB			32°CDB					
		12°CWB			15°CWB			16°CWB			18°CWB			19°CWB			21°CWB			23°CWB					
9+9+9	Outdoor temperature	(°CDB)	TC	SHC	IP	TC	SHC	IP	TC	SHC	IP	TC	SHC	IP	TC	SHC	IP	TC	SHC	IP	TC	SHC	IP		
		-10	5.67	4.53	0.91	6.32	4.56	0.92	6.53	4.95	0.93	6.96	4.97	0.94	7.18	5.37	0.94	7.61	5.35	0.95	7.82	5.34	0.96		
		-5	5.43	4.42	1.03	6.05	4.45	1.05	6.26	4.83	1.05	6.67	4.85	1.06	6.88	5.24	1.07	7.29	5.22	1.08	7.50	5.21	1.08		
		0	5.34	4.37	1.14	5.95	4.40	1.15	6.15	4.78	1.16	6.56	4.80	1.17	6.76	5.18	1.18	7.17	5.16	1.19	7.37	5.16	1.19		
		5	5.29	4.35	1.17	5.90	4.38	1.18	6.10	4.76	1.19	6.50	4.78	1.20	6.70	5.16	1.21	7.10	5.14	1.22	7.30	5.13	1.23		
		10	5.34	4.37	1.18	5.95	4.40	1.20	6.15	4.78	1.21	6.56	4.80	1.22	6.76	5.18	1.22	7.17	5.16	1.24	7.37	5.16	1.24		
		15	5.83	4.60	1.57	6.50	4.63	1.59	6.72	5.03	1.60	7.16	5.05	1.61	7.38	5.48	1.62	7.83	5.44	1.64	8.05	5.43	1.65		
		20	6.70	4.99	1.99	7.46	5.02	2.02	7.72	5.46	2.03	8.22	5.48	2.06	8.48	5.91	2.06	8.99	5.89	2.06	9.24	5.88	2.06		
		25	6.44	4.88	1.99	7.17	4.91	2.02	7.42	5.33	2.03	7.91	5.35	2.06	8.15	5.78	2.06	8.64	5.76	2.06	8.89	5.75	2.06		
		30	5.83	4.60	1.99	6.49	4.63	2.02	6.72	5.03	2.03	7.16	5.05	2.06	7.38	5.45	2.06	7.82	5.43	2.06	8.04	5.43	2.06		
		35	5.37	4.39	1.99	5.98	4.42	2.02	6.19	4.80	2.03	6.60	4.82	2.06	6.80	5.20	2.06	7.21	5.18	2.06	7.41	5.17	2.06		
		40	4.80	4.11	1.95	5.35	4.14	1.98	5.53	4.50	1.99	5.90	4.52	2.01	6.08	4.87	2.02	6.44	4.86	2.06	6.63	4.85	2.06		
46	3.86	3.75	1.88	4.30	3.77	1.88	4.45	4.10	1.88	4.74	4.11	1.88	4.89	4.44	1.88	5.18	4.42	1.88	5.33	4.42	1.88				

● Indoor unit : 9000Btu + 9000Btu + 12000Btu

		Indoor temperature																							
		18°CDB			21°CDB			23°CDB			25°CDB			27°CDB			29°CDB			32°CDB					
		12°CWB			15°CWB			16°CWB			18°CWB			19°CWB			21°CWB			23°CWB					
9+9+12	Outdoor temperature	(°CDB)	TC	SHC	IP	TC	SHC	IP	TC	SHC	IP	TC	SHC	IP	TC	SHC	IP	TC	SHC	IP	TC	SHC	IP		
		-10	6.02	4.75	1.03	6.71	4.78	1.05	6.94	5.19	1.05	7.39	5.21	1.06	7.62	5.63	1.07	8.08	5.61	1.08	8.31	5.60	1.09		
		-5	5.77	4.63	1.17	6.43	4.66	1.19	6.65	5.07	1.19	7.09	5.09	1.21	7.31	5.49	1.21	7.74	5.47	1.22	7.96	5.46	1.23		
		0	5.67	4.59	1.29	6.32	4.61	1.31	6.53	5.01	1.32	6.96	5.03	1.33	7.18	5.43	1.34	7.61	5.41	1.35	7.82	5.40	1.36		
		5	5.62	4.56	1.32	6.26	4.59	1.35	6.47	4.99	1.35	6.90	5.01	1.37	7.11	5.41	1.37	7.54	5.39	1.39	7.75	5.38	1.39		
		10	5.67	4.59	1.34	6.32	4.61	1.36	6.53	5.01	1.37	6.96	5.03	1.38	7.18	5.43	1.39	7.61	5.41	1.40	7.82	5.40	1.41		
		15	6.09	4.78	1.71	6.78	4.81	1.74	7.01	5.22	1.75	7.47	5.25	1.77	7.70	5.66	1.78	8.17	5.64	1.79	8.40	5.63	1.80		
		20	6.94	5.16	1.99	7.73	5.19	2.02	8.00	5.64	2.03	8.52	5.66	2.06	8.79	6.11	2.06	9.31	6.09	2.06	9.58	6.08	2.06		
		25	6.44	4.94	1.99	7.17	4.97	2.02	7.42	5.40	2.03	7.91	5.42	2.06	8.15	5.85	2.06	8.64	5.83	2.06	8.89	5.82	2.06		
		30	5.83	4.66	1.99	6.49	4.69	2.02	6.72	5.10	2.03	7.16	5.12	2.06	7.38	5.52	2.06	7.82	5.50	2.06	8.04	5.49	2.06		
		35	5.37	4.44	1.99	5.98	4.47	2.02	6.19	4.86	2.03	6.60	4.88	2.06	6.80	5.27	2.06	7.21	5.25	2.06	7.41	5.24	2.06		
		40	4.80	4.16	1.95	5.35	4.19	1.98	5.53	4.55	1.99	5.90	4.57	2.01	6.08	4.94	2.02	6.44	4.92	2.06	6.63	4.91	2.06		
46	3.86	3.79	1.88	4.30	3.82	1.88	4.45	4.15	1.88	4.74	4.16	1.88	4.89	4.49	1.88	5.18	4.48	1.88	5.33	4.47	1.88				

TC : Total Capacity (kW)
 SHC : Sensible Heat Capacity (kW)
 IP : Input Power (kW)

Note: 2 or more indoor units should be connected.

MODEL: AO*G24L3

Indoor unit : 7000Btu

	Indoor temperature																									
	18°CDB			21°CDB			23°CDB			25°CDB			27°CDB			29°CDB			32°CDB							
	12°CWB			15°CWB			16°CWB			18°CWB			19°CWB			21°CWB			23°CWB							
7	Outdoor temperature	(°CDB)	TC	SHC	IP	TC	SHC	IP	TC	SHC	IP	TC	SHC	IP	TC	SHC	IP	TC	SHC	IP	TC	SHC	IP			
		-10	2.17	1.64	0.31	2.42	1.65	0.31	2.50	1.80	0.31	2.66	1.80	0.31	2.74	1.95	0.32	2.91	1.94	0.32	2.99	1.94	0.32	2.99	1.94	0.32
		-5	2.08	1.60	0.35	2.31	1.61	0.35	2.39	1.75	0.35	2.55	1.76	0.36	2.63	1.90	0.36	2.79	1.89	0.36	2.87	1.89	0.36	2.87	1.89	0.36
		0	2.04	1.59	0.38	2.27	1.60	0.39	2.35	1.74	0.39	2.51	1.74	0.39	2.58	1.88	0.40	2.74	1.87	0.40	2.82	1.87	0.40	2.82	1.87	0.40
		5	2.02	1.58	0.39	2.25	1.59	0.40	2.33	1.73	0.40	2.48	1.73	0.40	2.56	1.87	0.41	2.72	1.86	0.41	2.79	1.86	0.41	2.79	1.86	0.41
		10	2.04	1.59	0.40	2.27	1.60	0.40	2.35	1.74	0.41	2.51	1.74	0.41	2.58	1.88	0.41	2.74	1.87	0.42	2.82	1.87	0.42	2.82	1.87	0.42
		15	1.99	1.56	0.41	2.21	1.57	0.42	2.29	1.71	0.42	2.44	1.72	0.43	2.52	1.85	0.43	2.67	1.85	0.43	2.74	1.84	0.43	2.74	1.84	0.43
		20	2.12	1.62	0.45	2.36	1.63	0.46	2.44	1.77	0.46	2.60	1.78	0.46	2.68	1.92	0.46	2.84	1.91	0.47	2.92	1.91	0.47	2.92	1.91	0.47
		25	2.05	1.59	0.45	2.29	1.60	0.46	2.36	1.74	0.46	2.52	1.75	0.47	2.60	1.89	0.47	2.75	1.88	0.48	2.83	1.88	0.48	2.83	1.88	0.48
		30	1.95	1.54	0.50	2.17	1.55	0.51	2.24	1.69	0.51	2.39	1.69	0.51	2.46	1.83	0.52	2.61	1.82	0.52	2.68	1.82	0.52	2.68	1.82	0.52
		35	2.13	1.63	0.72	2.38	1.64	0.74	2.46	1.78	0.74	2.62	1.79	0.75	2.70	1.93	0.75	2.86	1.92	0.76	2.94	1.92	0.76	2.94	1.92	0.76
		40	2.07	1.60	0.80	2.31	1.61	0.82	2.39	1.75	0.82	2.54	1.76	0.83	2.62	1.90	0.83	2.78	1.89	0.84	2.86	1.89	0.84	2.86	1.89	0.84
46	1.91	1.54	0.91	2.13	1.55	0.93	2.20	1.69	0.93	2.35	1.70	0.94	2.42	1.83	0.95	2.56	1.82	0.95	2.64	1.82	0.95	2.64	1.82	0.96		

Indoor unit : 9000Btu

	Indoor temperature																									
	18°CDB			21°CDB			23°CDB			25°CDB			27°CDB			29°CDB			32°CDB							
	12°CWB			15°CWB			16°CWB			18°CWB			19°CWB			21°CWB			23°CWB							
9	Outdoor temperature	(°CDB)	TC	SHC	IP	TC	SHC	IP	TC	SHC	IP	TC	SHC	IP	TC	SHC	IP	TC	SHC	IP	TC	SHC	IP			
		-10	2.19	1.73	0.30	2.44	1.74	0.30	2.52	1.89	0.30	2.69	1.90	0.31	2.77	2.05	0.31	2.94	2.05	0.31	3.02	2.04	0.31	3.02	2.04	0.31
		-5	2.10	1.69	0.34	2.34	1.70	0.34	2.42	1.85	0.34	2.58	1.86	0.35	2.66	2.00	0.35	2.82	2.00	0.35	2.90	1.99	0.35	2.90	1.99	0.35
		0	2.06	1.67	0.37	2.30	1.68	0.38	2.38	1.83	0.38	2.53	1.84	0.38	2.61	1.98	0.38	2.77	1.98	0.39	2.85	1.97	0.39	2.85	1.97	0.39
		5	2.05	1.66	0.38	2.28	1.67	0.39	2.36	1.82	0.39	2.51	1.83	0.39	2.59	1.97	0.39	2.75	1.97	0.40	2.82	1.96	0.40	2.82	1.96	0.40
		10	2.06	1.67	0.39	2.30	1.68	0.39	2.38	1.83	0.39	2.53	1.84	0.40	2.61	1.98	0.40	2.77	1.98	0.40	2.85	1.97	0.41	2.85	1.97	0.41
		15	2.10	1.69	0.44	2.34	1.70	0.45	2.42	1.85	0.45	2.58	1.86	0.45	2.66	2.00	0.46	2.82	2.00	0.46	2.90	1.99	0.46	2.90	1.99	0.46
		20	2.41	1.83	0.56	2.69	1.84	0.57	2.78	2.00	0.57	2.97	2.01	0.58	3.06	2.17	0.58	3.24	2.16	0.59	3.33	2.16	0.59	3.33	2.16	0.59
		25	2.34	1.80	0.57	2.61	1.81	0.58	2.69	1.97	0.58	2.87	1.97	0.59	2.96	2.13	0.59	3.14	2.12	0.60	3.23	2.12	0.60	3.23	2.12	0.60
		30	2.22	1.74	0.63	2.47	1.75	0.64	2.55	1.91	0.64	2.72	1.91	0.65	2.81	2.07	0.65	2.98	2.06	0.65	3.06	2.06	0.66	3.06	2.06	0.66
		35	2.61	1.92	1.05	2.90	1.93	1.07	3.00	2.09	1.07	3.20	2.10	1.08	3.30	2.27	1.09	3.50	2.26	1.10	3.60	2.26	1.11	3.60	2.26	1.11
		40	2.47	1.86	1.17	2.75	1.87	1.19	2.85	2.03	1.19	3.04	2.04	1.20	3.13	2.20	1.21	3.32	2.19	1.22	3.41	2.19	1.23	3.41	2.19	1.23
46	2.29	1.80	1.33	2.56	1.81	1.35	2.64	1.97	1.35	2.82	1.98	1.37	2.90	2.13	1.37	3.08	2.13	1.39	3.17	2.12	1.39	3.17	2.12	1.39		

Indoor unit : 12000Btu

	Indoor temperature																									
	18°CDB			21°CDB			23°CDB			25°CDB			27°CDB			29°CDB			32°CDB							
	12°CWB			15°CWB			16°CWB			18°CWB			19°CWB			21°CWB			23°CWB							
12	Outdoor temperature	(°CDB)	TC	SHC	IP	TC	SHC	IP	TC	SHC	IP	TC	SHC	IP	TC	SHC	IP	TC	SHC	IP	TC	SHC	IP			
		-10	2.75	2.08	0.40	3.07	2.10	0.40	3.17	2.28	0.41	3.38	2.29	0.41	3.48	2.47	0.41	3.69	2.46	0.42	3.80	2.45	0.42	3.80	2.45	0.42
		-5	2.64	2.03	0.45	2.94	2.04	0.46	3.04	2.22	0.46	3.24	2.23	0.46	3.34	2.41	0.47	3.54	2.40	0.47	3.64	2.39	0.47	3.64	2.39	0.47
		0	2.59	2.01	0.50	2.89	2.02	0.51	2.98	2.20	0.51	3.18	2.21	0.51	3.28	2.38	0.52	3.48	2.37	0.52	3.58	2.37	0.52	3.58	2.37	0.52
		5	2.57	2.00	0.51	2.86	2.01	0.52	2.96	2.19	0.52	3.15	2.20	0.53	3.25	2.37	0.53	3.45	2.36	0.53	3.54	2.36	0.54	3.54	2.36	0.54
		10	2.59	2.01	0.52	2.89	2.02	0.53	2.98	2.20	0.53	3.18	2.21	0.53	3.28	2.38	0.54	3.48	2.37	0.54	3.58	2.37	0.54	3.58	2.37	0.54
		15	2.52	1.98	0.54	2.81	1.99	0.55	2.91	2.16	0.55	3.10	2.17	0.55	3.19	2.35	0.56	3.38	2.34	0.56	3.48	2.33	0.57	3.48	2.33	0.57
		20	3.11	2.23	0.79	3.46	2.25	0.81	3.58	2.44	0.81	3.81	2.45	0.82	3.93	2.65	0.82	4.17	2.64	0.83	4.28	2.63	0.83	4.28	2.63	0.83
		25	3.01	2.19	0.80	3.35	2.21	0.82	3.47	2.40	0.82	3.69	2.41	0.83	3.81	2.60	0.83	4.04	2.59	0.84	4.15	2.58	0.85	4.15	2.58	0.85
		30	2.85	2.13	0.88	3.18	2.14	0.90	3.28	2.32	0.90	3.50	2.33	0.91	3.61	2.52	0.91	3.83	2.51	0.92	3.93	2.51	0.93	3.93	2.51	0.93
		35	2.92	2.16	1.11	3.26	2.17	1.13	3.37	2.36	1.13	3.59	2.37	1.14	3.70	2.56	1.15	3.92	2.55	1.16	4.03	2.54	1.17	4.03	2.54	1.17
		40	2.77	2.09	1.23	3.09	2.10	1.25	3.19	2.29	1.26	3.40	2.30	1.27	3.51	2.48	1.28	3.72	2.47	1.29	3.82	2.46	1.30	3.82	2.46	1.30
46	2.57	2.03	1.40	2.87	2.04	1.42	2.96	2.22	1.43	3.16	2.23	1.44	3.26	2.40	1.45	3.45	2.39	1.46	3.55	2.39	1.47	3.55	2.39	1.47		

Indoor unit : 14000Btu

	Indoor temperature																									
	18°CDB			21°CDB			23°CDB			25°CDB			27°CDB			29°CDB			32°CDB							
	12°CWB			15°CWB			16°CWB			18°CWB			19°CWB			21°CWB			23°CWB							
14	Outdoor temperature	(°CDB)	TC	SHC	IP	TC	SHC	IP	TC	SHC	IP	TC	SHC	IP	TC	SHC	IP	TC	SHC	IP	TC	SHC	IP			
		-10	3.88	2.88	0.58	4.33	2.89	0.59	4.47	3.15	0.60	4.77	3.16	0.60	4.92	3.41	0.60	5.21	3.40	0.61	5.36	3.39	0.61	5.36	3.39	0.61
		-5	3.72	2.81	0.66	4.15	2.82	0.67	4.29	3.07	0.68	4.57	3.08	0.68	4.71	3.33	0.69	5.00	3.31	0.69	5.14	3.31	0.70	5.14	3.31	0.70
		0	3.66	2.78	0.73	4.07	2.80	0.74	4.21	3.04	0.74	4.49	3.05	0.75	4.63	3.29	0.76	4.91	3.28	0.76	5.05	3.27	0.77	5.05	3.27	0.77
		5	3.63	2.76	0.75	4.04	2.78	0.76	4.18	3.02	0.76	4.45	3.03	0.77	4.59	3.27	0.78	4.86	3.26	0.78	5.00	3.26	0.79	5.00	3.26	0.79
		10	3.66																							

Note: 2 or more indoor units should be connected.

● Indoor unit : 18000Btu

		Indoor temperature																							
		°CDB			18°CDB			21°CDB			23°CDB			25°CDB			27°CDB			29°CDB			32°CDB		
		°CWB			12°CWB			15°CWB			16°CWB			18°CWB			19°CWB			21°CWB			23°CWB		
18	Outdoor temperature	(°CDB)	TC	SHC	IP	TC	SHC	IP	TC	SHC	IP	TC	SHC	IP	TC	SHC	IP	TC	SHC	IP	TC	SHC	IP		
		-10	4.17	3.04	0.68	4.64	3.06	0.69	4.80	3.32	0.69	5.12	3.33	0.70	5.28	3.60	0.70	5.59	3.59	0.71	5.75	3.58	0.71		
		-5	4.00	2.96	0.77	4.45	2.98	0.78	4.60	3.24	0.79	4.91	3.25	0.79	5.06	3.51	0.80	5.36	3.50	0.81	5.51	3.49	0.81		
		0	3.93	2.93	0.85	4.37	2.95	0.86	4.52	3.21	0.87	4.82	3.22	0.88	4.97	3.47	0.88	5.27	3.46	0.89	5.42	3.46	0.89		
		5	3.89	2.92	0.87	4.33	2.94	0.89	4.48	3.19	0.89	4.78	3.20	0.90	4.93	3.46	0.90	5.22	3.44	0.91	5.37	3.44	0.92		
		10	3.93	2.93	0.88	4.37	2.95	0.90	4.52	3.21	0.90	4.82	3.22	0.91	4.97	3.47	0.92	5.27	3.46	0.92	5.42	3.46	0.93		
		15	4.06	2.99	1.04	4.52	3.01	1.06	4.68	3.27	1.06	4.99	3.28	1.08	5.14	3.54	1.08	5.45	3.53	1.09	5.60	3.52	1.10		
		20	4.42	3.14	1.19	4.92	3.16	1.20	5.09	3.43	1.21	5.42	3.45	1.22	5.59	3.72	1.23	5.93	3.71	1.24	6.09	3.70	1.25		
		25	4.28	3.08	1.20	4.77	3.10	1.22	4.93	3.37	1.23	5.25	3.38	1.24	5.42	3.65	1.24	5.74	3.64	1.26	5.90	3.63	1.26		
		30	4.06	2.99	1.32	4.52	3.01	1.34	4.67	3.27	1.35	4.98	3.28	1.36	5.13	3.54	1.37	5.44	3.53	1.38	5.60	3.52	1.39		
		35	4.42	3.14	1.89	4.93	3.16	1.92	5.10	3.44	1.93	5.43	3.45	1.95	5.60	3.72	1.96	5.94	3.71	1.98	6.10	3.70	1.99		
40	4.20	3.05	2.10	4.67	3.07	2.13	4.83	3.33	2.14	5.15	3.35	2.16	5.31	3.61	2.18	5.63	3.60	2.20	5.79	3.59	2.21				
46	3.34	2.75	1.88	3.72	2.76	1.88	3.85	3.00	1.88	4.10	3.01	1.88	4.23	3.25	1.88	4.48	3.24	1.88	4.61	3.24	1.88				

● Indoor unit : 7000Btu + 7000Btu

		Indoor temperature																							
		°CDB			18°CDB			21°CDB			23°CDB			25°CDB			27°CDB			29°CDB			32°CDB		
		°CWB			12°CWB			15°CWB			16°CWB			18°CWB			19°CWB			21°CWB			23°CWB		
7+7	Outdoor temperature	(°CDB)	TC	SHC	IP	TC	SHC	IP	TC	SHC	IP	TC	SHC	IP	TC	SHC	IP	TC	SHC	IP	TC	SHC	IP		
		-10	3.69	2.84	0.48	4.11	2.86	0.48	4.25	3.11	0.49	4.53	3.12	0.49	4.67	3.37	0.49	4.95	3.36	0.50	5.09	3.35	0.50		
		-5	3.54	2.78	0.54	3.94	2.79	0.55	4.07	3.04	0.55	4.34	3.05	0.56	4.48	3.29	0.56	4.74	3.28	0.57	4.88	3.27	0.57		
		0	3.47	2.75	0.60	3.87	2.76	0.60	4.00	3.00	0.61	4.27	3.02	0.61	4.40	3.26	0.62	4.66	3.24	0.62	4.79	3.24	0.63		
		5	3.44	2.73	0.61	3.84	2.75	0.62	3.97	2.99	0.62	4.23	3.00	0.63	4.36	3.24	0.63	4.62	3.23	0.64	4.75	3.22	0.64		
		10	3.47	2.75	0.62	3.87	2.76	0.63	4.00	3.00	0.63	4.27	3.02	0.64	4.40	3.26	0.64	4.66	3.24	0.65	4.79	3.24	0.65		
		15	3.38	2.70	0.64	3.77	2.72	0.65	3.90	2.96	0.66	4.15	2.97	0.66	4.28	3.21	0.67	4.54	3.19	0.67	4.67	3.19	0.68		
		20	4.16	3.05	0.95	4.64	3.07	0.97	4.80	3.34	0.97	5.11	3.35	0.98	5.27	3.62	0.98	5.59	3.60	0.99	5.75	3.60	1.00		
		25	4.03	3.00	0.96	4.49	3.01	0.98	4.65	3.28	0.98	4.95	3.29	0.99	5.11	3.55	1.00	5.41	3.54	1.01	5.57	3.53	1.01		
		30	3.82	2.90	1.06	4.26	2.92	1.07	4.40	3.18	1.08	4.69	3.19	1.09	4.84	3.44	1.10	5.13	3.43	1.11	5.28	3.42	1.11		
		35	3.95	2.96	1.35	4.40	2.98	1.37	4.55	3.24	1.38	4.85	3.25	1.39	5.00	3.51	1.40	5.30	3.49	1.41	5.45	3.49	1.42		
40	3.75	2.87	1.50	4.17	2.89	1.52	4.31	3.14	1.53	4.60	3.15	1.55	4.74	3.40	1.55	5.03	3.39	1.57	5.17	3.38	1.58				
46	3.48	2.78	1.70	3.87	2.80	1.73	4.00	3.04	1.74	4.27	3.06	1.76	4.40	3.30	1.76	4.66	3.29	1.78	4.80	3.28	1.79				

● Indoor unit : 7000Btu + 9000Btu

		Indoor temperature																							
		°CDB			18°CDB			21°CDB			23°CDB			25°CDB			27°CDB			29°CDB			32°CDB		
		°CWB			12°CWB			15°CWB			16°CWB			18°CWB			19°CWB			21°CWB			23°CWB		
7+9	Outdoor temperature	(°CDB)	TC	SHC	IP	TC	SHC	IP	TC	SHC	IP	TC	SHC	IP	TC	SHC	IP	TC	SHC	IP	TC	SHC	IP		
		-10	4.25	3.18	0.62	4.74	3.20	0.63	4.90	3.48	0.63	5.22	3.49	0.64	5.38	3.77	0.64	5.71	3.76	0.65	5.87	3.75	0.65		
		-5	4.08	3.10	0.70	4.54	3.12	0.71	4.69	3.39	0.72	5.00	3.41	0.72	5.16	3.68	0.73	5.47	3.67	0.74	5.62	3.66	0.74		
		0	4.00	3.07	0.78	4.46	3.09	0.79	4.61	3.36	0.79	4.92	3.37	0.80	5.07	3.64	0.80	5.37	3.63	0.81	5.53	3.62	0.82		
		5	3.97	3.06	0.80	4.42	3.08	0.81	4.57	3.34	0.81	4.87	3.36	0.82	5.02	3.62	0.82	5.33	3.61	0.83	5.48	3.60	0.84		
		10	4.00	3.07	0.81	4.46	3.09	0.82	4.61	3.36	0.82	4.92	3.37	0.83	5.07	3.64	0.84	5.37	3.63	0.84	5.53	3.62	0.85		
		15	3.90	3.03	0.84	4.34	3.04	0.85	4.49	3.31	0.85	4.79	3.32	0.86	4.93	3.59	0.87	5.23	3.57	0.88	5.38	3.57	0.88		
		20	4.45	3.26	1.05	4.95	3.29	1.07	5.12	3.57	1.07	5.46	3.58	1.08	5.63	3.87	1.09	5.97	3.86	1.10	6.13	3.85	1.11		
		25	4.31	3.21	1.06	4.80	3.23	1.08	4.96	3.51	1.09	5.29	3.52	1.10	5.45	3.80	1.10	5.78	3.79	1.11	5.94	3.78	1.12		
		30	4.08	3.11	1.17	4.55	3.13	1.19	4.70	3.40	1.19	5.01	3.41	1.21	5.17	3.68	1.21	5.48	3.67	1.22	5.63	3.66	1.23		
		35	4.50	3.29	1.72	5.02	3.31	1.74	5.19	3.60	1.75	5.53	3.61	1.77	5.70	3.90	1.78	6.04	3.88	1.80	6.21	3.88	1.81		
40	4.28	3.19	1.91	4.77	3.21	1.94	4.93	3.49	1.95	5.26	3.51	1.97	5.42	3.78	1.98	5.74	3.77	2.00	5.91	3.76	2.01				
46	3.53	2.93	1.88	3.94	2.95	1.88	4.07	3.20	1.88	4.34	3.21	1.88	4.47	3.47	1.88	4.74	3.46	1.88	4.88	3.45	1.88				

● Indoor unit : 7000Btu + 12000Btu

		Indoor temperature																							
		°CDB			18°CDB			21°CDB			23°CDB			25°CDB			27°CDB			29°CDB			32°CDB		
		°CWB			12°CWB			15°CWB			16°CWB			18°CWB			19°CWB			21°CWB			23°CWB		
7+12	Outdoor temperature	(°CDB)	TC	SHC	IP	TC	SHC	IP	TC	SHC	IP	TC	SHC	IP	TC	SHC	IP	TC	SHC	IP	TC	SHC	IP		
		-10	4.43	3.33	0.65	4.93	3.35	0.66	5.10	3.64	0.66	5.43	3.66	0.67	5.60	3.95	0.67	5.94	3.93	0.68	6.11	3.93	0.68		
		-5	4.24	3.25	0.73	4.72	3.27	0.74	4.88	3.55	0.75	5.21	3.57	0.76	5.37	3.85	0.76	5.69	3.84	0.77	5.85	3.83	0.77		
		0	4.17	3.22	0.81	4.64	3.24	0.82	4.80	3.52	0.82	5.12	3.53	0.83	5.27	3.81	0.84	5.59	3.80	0.85	5.75	3.79	0.85		
		5	4.13	3.20	0.83	4.60	3.22	0.84	4.76	3.50	0.85	5.07	3.51	0.86	5.23	3.79	0.86	5.54	3.78	0.87	5.70	3.77	0.87		
		10	4.17	3.22	0.84	4.64	3.24	0.85	4.80	3.52	0.86	5.12	3.53	0.87	5.27	3.81	0.87	5.59	3.80	0.88	5.75	3.79	0.88		
		15	4.16	3.22	0.92	4.64	3.24	0.94	4.79	3.52	0.94	5.11	3.53	0.95	5.27	3.81	0.96	5.59	3.80	0.97	5.74	3.79	0.97		
		20	5.11	3.62	1.35	5.69	3.64	1.37	5.88	3.96	1.38	6.27	3.97	1.40	6.47	4.29	1.40	6.85	4.28	1.42	7.05	4.27	1.42		
		25	4.95	3.55	1.37	5.51	3.58	1.39	5.70	3.89	1.40	6.08	3.90	1.41	6.26	4.21	1.42	6.64	4.20	1.43	6.83	4.19	1.44		
		30	4.69	3.45	1.51	5.23	3.47	1.53	5.40	3.77	1.54	5.76	3.78	1.55	5.94	4.08	1.56	6.29	4.07	1.58	6.47	4.06	1.58		
		35																							

OUTDOOR UNIT
AO*G18-24L3

● Indoor unit : 7000Btu + 14000Btu

		Indoor temperature																								
		18°CDB			21°CDB			23°CDB			25°CDB			27°CDB			29°CDB			32°CDB						
		12°CWB			15°CWB			16°CWB			18°CWB			19°CWB			21°CWB			23°CWB						
7+14	Outdoor temperature	(°CDB)	TC	SHC	IP	TC	SHC	IP	TC	SHC	IP	TC	SHC	IP	TC	SHC	IP	TC	SHC	IP	TC	SHC	IP	TC	SHC	IP
		-10	5.12	3.89	0.78	5.71	3.92	0.79	5.90	4.25	0.79	6.29	4.27	0.80	6.49	4.61	0.80	6.88	4.59	0.81	7.07	4.59	0.82			
		-5	4.91	3.80	0.88	5.47	3.82	0.89	5.66	4.15	0.90	6.03	4.17	0.91	6.22	4.50	0.91	6.59	4.48	0.92	6.78	4.47	0.92			
		0	4.83	3.76	0.97	5.38	3.78	0.98	5.56	4.11	0.99	5.93	4.13	1.00	6.11	4.45	1.00	6.47	4.44	1.01	6.66	4.43	1.02			
		5	4.78	3.74	1.00	5.33	3.76	1.01	5.51	4.09	1.02	5.87	4.10	1.03	6.05	4.43	1.03	6.42	4.41	1.04	6.60	4.41	1.05			
		10	4.83	3.76	1.01	5.38	3.78	1.02	5.56	4.11	1.03	5.93	4.13	1.04	6.11	4.45	1.04	6.47	4.44	1.06	6.66	4.43	1.06			
		15	5.02	3.84	1.20	5.59	3.87	1.22	5.78	4.20	1.23	6.16	4.22	1.24	6.35	4.55	1.25	6.73	4.54	1.26	6.92	4.53	1.27			
		20	5.73	4.15	1.52	6.39	4.18	1.54	6.60	4.54	1.55	7.04	4.56	1.57	7.26	4.92	1.57	7.69	4.90	1.59	7.91	4.89	1.60			
		25	5.55	4.08	1.54	6.19	4.10	1.56	6.40	4.46	1.57	6.82	4.48	1.59	7.03	4.83	1.59	7.45	4.81	1.61	7.66	4.80	1.62			
		30	5.26	3.95	1.69	5.86	3.98	1.72	6.06	4.32	1.72	6.46	4.34	1.74	6.66	4.68	1.75	7.06	4.67	1.77	7.26	4.66	1.78			
		35	5.69	4.13	2.37	6.34	4.16	2.41	6.55	4.52	2.42	6.98	4.54	2.45	7.20	4.90	2.46	7.63	4.88	2.48	7.85	4.87	2.50			
		40	5.07	3.87	2.32	5.65	3.89	2.40	5.84	4.23	2.40	6.22	4.24	2.40	6.42	4.58	2.40	6.80	4.57	2.40	6.99	4.56	2.40			
		46	3.74	3.38	1.88	4.16	3.40	1.88	4.31	3.70	1.88	4.59	3.71	1.88	4.73	4.00	1.88	5.02	3.99	1.88	5.16	3.98	1.88			

OUTDOOR UNIT
AO*G18-24L3

● Indoor unit : 7000Btu + 18000Btu

		Indoor temperature																								
		18°CDB			21°CDB			23°CDB			25°CDB			27°CDB			29°CDB			32°CDB						
		12°CWB			15°CWB			16°CWB			18°CWB			19°CWB			21°CWB			23°CWB						
7+18	Outdoor temperature	(°CDB)	TC	SHC	IP	TC	SHC	IP	TC	SHC	IP	TC	SHC	IP	TC	SHC	IP	TC	SHC	IP	TC	SHC	IP	TC	SHC	IP
		-10	5.95	4.28	1.05	6.62	4.30	1.06	6.85	4.68	1.07	7.30	4.69	1.08	7.53	5.07	1.08	7.98	5.05	1.10	8.20	5.04	1.10			
		-5	5.70	4.17	1.19	6.35	4.20	1.20	6.56	4.56	1.21	7.00	4.58	1.22	7.21	4.94	1.23	7.65	4.93	1.24	7.86	4.92	1.25			
		0	5.60	4.13	1.31	6.24	4.16	1.33	6.45	4.52	1.34	6.88	4.53	1.35	7.09	4.89	1.36	7.51	4.88	1.37	7.73	4.87	1.38			
		5	5.55	4.11	1.34	6.18	4.13	1.36	6.39	4.49	1.37	6.81	4.51	1.38	7.03	4.87	1.39	7.45	4.85	1.41	7.66	4.84	1.41			
		10	5.60	4.13	1.36	6.24	4.16	1.38	6.45	4.52	1.39	6.88	4.53	1.40	7.09	4.89	1.41	7.51	4.88	1.42	7.73	4.87	1.43			
		15	5.76	4.20	1.59	6.42	4.22	1.61	6.63	4.59	1.62	7.07	4.61	1.64	7.29	4.97	1.65	7.73	4.96	1.66	7.95	4.95	1.67			
		20	6.52	4.51	1.96	7.26	4.54	1.99	7.51	4.93	2.00	8.00	4.95	2.02	8.25	5.34	2.03	8.74	5.32	2.05	8.99	5.31	2.06			
		25	6.31	4.43	1.99	7.03	4.45	2.02	7.27	4.84	2.03	7.75	4.86	2.05	7.99	5.25	2.06	8.47	5.23	2.08	8.71	5.22	2.09			
		30	5.98	4.29	2.18	6.67	4.32	2.22	6.89	4.69	2.23	7.35	4.71	2.25	7.57	5.09	2.26	8.03	5.07	2.28	8.26	5.06	2.30			
		35	6.16	4.36	2.77	6.86	4.39	2.87	7.10	4.77	2.87	7.57	4.79	2.87	7.80	5.17	2.87	8.27	5.15	2.87	8.50	5.14	2.87			
		40	5.17	3.94	2.32	5.76	3.97	2.40	5.95	4.31	2.40	6.35	4.33	2.40	6.54	4.67	2.40	6.93	4.65	2.40	7.13	4.65	2.40			
		46	3.80	3.46	1.88	4.23	3.48	1.88	4.38	3.79	1.88	4.67	3.80	1.88	4.81	4.10	1.88	5.10	4.09	1.88	5.24	4.08	1.88			

● Indoor unit : 9000Btu + 9000Btu

		Indoor temperature																								
		18°CDB			21°CDB			23°CDB			25°CDB			27°CDB			29°CDB			32°CDB						
		12°CWB			15°CWB			16°CWB			18°CWB			19°CWB			21°CWB			23°CWB						
9+9	Outdoor temperature	(°CDB)	TC	SHC	IP	TC	SHC	IP	TC	SHC	IP	TC	SHC	IP	TC	SHC	IP	TC	SHC	IP	TC	SHC	IP	TC	SHC	IP
		-10	4.38	3.34	0.63	4.88	3.36	0.64	5.04	3.65	0.64	5.38	3.67	0.65	5.54	3.96	0.65	5.87	3.94	0.66	6.04	3.94	0.66			
		-5	4.20	3.26	0.71	4.67	3.28	0.72	4.83	3.56	0.72	5.15	3.58	0.73	5.31	3.86	0.74	5.63	3.85	0.74	5.79	3.84	0.75			
		0	4.12	3.23	0.78	4.59	3.25	0.79	4.75	3.53	0.80	5.06	3.54	0.81	5.22	3.82	0.81	5.53	3.81	0.82	5.69	3.80	0.82			
		5	4.09	3.21	0.80	4.55	3.23	0.82	4.71	3.51	0.82	5.02	3.52	0.83	5.17	3.80	0.83	5.48	3.79	0.84	5.64	3.78	0.85			
		10	4.12	3.23	0.81	4.59	3.25	0.83	4.75	3.53	0.83	5.06	3.54	0.84	5.22	3.82	0.84	5.53	3.81	0.85	5.69	3.80	0.86			
		15	4.23	3.27	0.95	4.71	3.30	0.96	4.87	3.58	0.97	5.19	3.59	0.97	5.36	3.88	0.98	5.68	3.87	0.99	5.84	3.86	0.99			
		20	4.89	3.56	1.22	5.45	3.58	1.24	5.63	3.89	1.25	6.00	3.91	1.26	6.19	4.22	1.27	6.56	4.20	1.28	6.75	4.20	1.28			
		25	4.74	3.50	1.24	5.28	3.52	1.26	5.46	3.82	1.26	5.82	3.84	1.28	6.00	4.14	1.28	6.36	4.13	1.29	6.54	4.12	1.30			
		30	4.49	3.39	1.36	5.00	3.41	1.38	5.17	3.71	1.39	5.51	3.72	1.40	5.68	4.02	1.41	6.02	4.00	1.42	6.20	3.99	1.43			
		35	4.90	3.56	1.95	5.46	3.59	1.98	5.64	3.90	1.99	6.01	3.91	2.01	6.20	4.22	2.02	6.57	4.21	2.04	6.76	4.20	2.05			
		40	4.64	3.46	2.16	5.17	3.48	2.20	5.35	3.78	2.21	5.70	3.79	2.23	5.88	4.10	2.24	6.23	4.08	2.26	6.41	4.07	2.28			
		46	3.62	3.08	1.88	4.03	3.10	1.88	4.17	3.37	1.88	4.44	3.38	1.88	4.58	3.65	1.88	4.85	3.64	1.88	4.99	3.63	1.88			

● Indoor unit : 9000Btu + 12000Btu

		Indoor temperature																								
		18°CDB			21°CDB			23°CDB			25°CDB			27°CDB			29°CDB			32°CDB						
		12°CWB			15°CWB			16°CWB			18°CWB			19°CWB			21°CWB			23°CWB						
9+12	Outdoor temperature	(°CDB)	TC	SHC	IP	TC	SHC	IP	TC	SHC	IP	TC	SHC	IP	TC	SHC	IP	TC	SHC	IP	TC	SHC	IP	TC	SHC	IP
		-10	4.56	3.49	0.68	5.07	3.52	0.69	5.25	3.82	0.69	5.59	3.84	0.70	5.77	4.14	0.70	6.11	4.13	0.71	6.29	4.12	0.71			
		-5	4.37	3.41	0.77	4.86	3.43	0.78	5.03	3.73	0.79	5.36	3.74	0.79	5.53	4.04	0.80	5.86	4.03	0.81	6.02	4.02	0.81			
		0	4.29	3.38	0.85	4.78	3.40	0.86	4.94	3.69	0.87	5.27	3.71	0.88	5.43	4.00	0.88	5.76	3.99	0.89	5.92	3.98	0.89			
		5	4.25	3.36	0.87	4.74	3.38	0.89	4.90	3.67	0.89	5.22	3.69	0.90	5.38	3.98	0.90	5.70	3.96	0.91	5.87	3.96	0.92			
		10	4.29	3.38	0.88	4.78	3.40	0.90	4.94	3.69	0.90	5.27	3.71	0.91	5.43	4.00	0.91	5.76	3.99	0.92	5.92	3.98	0.93			
		15	4.44	3.44	1.04	4.94	3.46	1.06	5.11	3.76	1.06	5.45	3.78	1.08	5.62	4.08	1.08	5.95	4.06	1.09	6.12	4.06	1.10			
		20	5.41	3.86	1.51	6.03	3.89	1.54	6.24	4.22	1.54	6.65	4.24	1.56	6.85	4.58	1.57	7.26	4.56	1.58	7.47	4.55	1.59			
		25	5.25	3.79	1.53	5.84	3.82	1.55	6.04	4.15	1.56	6.44	4.16	1.58	6.64	4.49	1.59	7.04	4.48	1.60	7.24	4.47	1.61			
		30	4.97	3.68	1.68	5.54	3.70	1.71	5.73	4.02	1.72	6.10	4.04	1.73	6.29	4.36	1.74	6.67	4.34	1.76	6.86	4.33	1.77			
		35	5.37	3.85	2.36	5.98	3.87	2.40	6.19	4.21	2.41	6.60	4.22	2.44	6.80	4.56	2.45	7.21	4.54	2.47	7.41	4.53	2.49			
		40	4.83	3.61	2.26	5.38	3.64	2.29	5.56	3.95	2.31	5.93	3.97	2.33	6.11	4.28	2.34	6.48	4.27	2.40	6.66	4.26	2.40			
		46	3.60	3.18	1.88	4.02	3.20	1.88	4.15	3.47	1.88	4.43	3.49	1.88	4.56	3.76	1.88	4.84	3.75	1.88	4.97	3.74	1.88			

TC : Total Capacity (kW)
SHC : Sensible Heat Capacity (kW)
IP : Input Power (kW)

● Indoor unit : 9000Btu + 14000Btu

		Indoor temperature																								
		18°CDB			21°CDB			23°CDB			25°CDB			27°CDB			29°CDB			32°CDB						
		12°CWB			15°CWB			16°CWB			18°CWB			19°CWB			21°CWB			23°CWB						
9+14	Outdoor temperature	(°CDB)	TC	SHC	IP	TC	SHC	IP	TC	SHC	IP	TC	SHC	IP	TC	SHC	IP	TC	SHC	IP	TC	SHC	IP			
		-10	5.45	4.14	0.86	6.07	4.17	0.88	6.28	4.53	0.88	6.69	4.55	0.89	6.90	4.91	0.89	7.31	4.89	0.90	7.52	4.88	0.91			
		-5	5.22	4.04	0.98	5.82	4.07	0.99	6.02	4.42	1.00	6.41	4.44	1.01	6.61	4.79	1.01	7.01	4.77	1.02	7.21	4.76	1.03			
		0	5.13	4.00	1.08	5.72	4.03	1.10	5.91	4.38	1.10	6.30	4.39	1.11	6.50	4.74	1.12	6.88	4.72	1.13	7.08	4.72	1.13			
		5	5.09	3.98	1.11	5.67	4.01	1.12	5.86	4.35	1.13	6.24	4.37	1.14	6.44	4.72	1.15	6.82	4.70	1.16	7.02	4.69	1.16			
		10	5.13	4.00	1.12	5.72	4.03	1.14	5.91	4.38	1.14	6.30	4.39	1.16	6.50	4.74	1.16	6.88	4.72	1.17	7.08	4.72	1.18			
		15	5.42	4.13	1.38	6.04	4.16	1.41	6.24	4.52	1.41	6.65	4.53	1.43	6.86	4.89	1.43	7.27	4.88	1.45	7.48	4.87	1.46			
		20	6.08	4.42	1.68	6.78	4.44	1.71	7.01	4.83	1.72	7.47	4.85	1.73	7.70	5.23	1.74	8.16	5.21	1.76	8.39	5.20	1.77			
		25	5.89	4.34	1.70	6.56	4.36	1.73	6.79	4.74	1.74	7.23	4.76	1.76	7.46	5.14	1.76	7.91	5.12	1.78	8.13	5.11	1.79			
		30	5.59	4.20	1.87	6.22	4.23	1.90	6.43	4.60	1.91	6.86	4.61	1.93	7.07	4.98	1.94	7.49	4.96	1.96	7.71	4.95	1.97			
35	6.08	4.42	2.67	6.78	4.44	2.71	7.01	4.83	2.73	7.47	4.85	2.76	7.70	5.23	2.77	8.16	5.21	2.80	8.39	5.21	2.87					
40	5.15	4.01	2.32	5.73	4.03	2.40	5.93	4.38	2.40	6.32	4.40	2.40	6.51	4.75	2.40	6.90	4.73	2.40	7.10	4.72	2.40					
46	3.79	3.52	1.88	4.23	3.54	1.88	4.37	3.85	1.88	4.66	3.87	1.88	4.80	4.17	1.88	5.09	4.16	1.88	5.24	4.15	1.88					

● Indoor unit : 9000Btu + 18000Btu

		Indoor temperature																								
		18°CDB			21°CDB			23°CDB			25°CDB			27°CDB			29°CDB			32°CDB						
		12°CWB			15°CWB			16°CWB			18°CWB			19°CWB			21°CWB			23°CWB						
9+18	Outdoor temperature	(°CDB)	TC	SHC	IP	TC	SHC	IP	TC	SHC	IP	TC	SHC	IP	TC	SHC	IP	TC	SHC	IP	TC	SHC	IP			
		-10	6.02	4.40	1.05	6.71	4.43	1.06	6.94	4.82	1.07	7.39	4.83	1.08	7.62	5.22	1.08	8.08	5.20	1.10	8.31	5.19	1.10			
		-5	5.77	4.30	1.19	6.43	4.32	1.20	6.65	4.70	1.21	7.09	4.72	1.22	7.31	5.09	1.23	7.74	5.07	1.24	7.96	5.06	1.25			
		0	5.67	4.25	1.31	6.32	4.28	1.33	6.53	4.65	1.34	6.96	4.67	1.35	7.18	5.04	1.36	7.61	5.02	1.37	7.82	5.01	1.38			
		5	5.62	4.23	1.34	6.26	4.26	1.36	6.47	4.63	1.37	6.90	4.65	1.38	7.12	5.01	1.39	7.54	5.00	1.41	7.76	4.99	1.41			
		10	5.67	4.25	1.36	6.32	4.28	1.38	6.53	4.65	1.39	6.96	4.67	1.40	7.18	5.04	1.41	7.61	5.02	1.42	7.82	5.01	1.43			
		15	6.09	4.43	1.74	6.78	4.46	1.76	7.01	4.85	1.77	7.47	4.86	1.79	7.70	5.25	1.80	8.17	5.23	1.82	8.40	5.22	1.83			
		20	6.70	4.68	2.02	7.46	4.71	2.06	7.72	5.12	2.07	8.22	5.14	2.09	8.48	5.55	2.10	8.99	5.53	2.12	9.24	5.52	2.13			
		25	6.49	4.60	2.05	7.23	4.63	2.08	7.47	5.03	2.09	7.97	5.05	2.11	8.21	5.45	2.12	8.71	5.43	2.15	8.95	5.42	2.16			
		30	6.15	4.46	2.25	6.85	4.49	2.29	7.09	4.88	2.30	7.55	4.89	2.32	7.79	5.28	2.33	8.25	5.26	2.36	8.49	5.25	2.37			
35	6.24	4.50	2.77	6.95	4.52	2.87	7.19	4.92	2.87	7.66	4.94	2.87	7.90	5.33	2.87	8.37	5.31	2.87	8.61	5.30	2.87					
40	5.20	4.05	2.32	5.80	4.07	2.40	5.99	4.42	2.40	6.39	4.44	2.40	6.59	4.80	2.40	6.98	4.78	2.40	7.18	4.77	2.40					
46	3.85	3.57	1.88	4.29	3.59	1.88	4.43	3.90	1.88	4.73	3.91	1.88	4.87	4.23	1.88	5.17	4.21	1.88	5.31	4.20	1.88					

● Indoor unit : 12000Btu + 12000Btu

		Indoor temperature																								
		18°CDB			21°CDB			23°CDB			25°CDB			27°CDB			29°CDB			32°CDB						
		12°CWB			15°CWB			16°CWB			18°CWB			19°CWB			21°CWB			23°CWB						
12+12	Outdoor temperature	(°CDB)	TC	SHC	IP	TC	SHC	IP	TC	SHC	IP	TC	SHC	IP	TC	SHC	IP	TC	SHC	IP	TC	SHC	IP			
		-10	4.87	3.71	0.78	5.43	3.73	0.79	5.61	4.06	0.79	5.98	4.07	0.80	6.17	4.40	0.80	6.54	4.38	0.81	6.72	4.37	0.82			
		-5	4.67	3.62	0.88	5.20	3.64	0.89	5.38	3.96	0.90	5.73	3.97	0.91	5.91	4.29	0.91	6.26	4.27	0.92	6.44	4.27	0.92			
		0	4.59	3.58	0.97	5.11	3.61	0.99	5.28	3.92	0.99	5.63	3.93	1.00	5.81	4.25	1.01	6.16	4.23	1.02	6.33	4.22	1.02			
		5	4.55	3.56	1.00	5.07	3.59	1.01	5.24	3.90	1.02	5.58	3.91	1.03	5.76	4.22	1.03	6.10	4.21	1.04	6.27	4.20	1.05			
		10	4.59	3.58	1.01	5.11	3.61	1.02	5.28	3.92	1.03	5.63	3.93	1.04	5.81	4.25	1.05	6.16	4.23	1.06	6.33	4.22	1.06			
		15	4.77	3.67	1.21	5.31	3.69	1.22	5.50	4.01	1.23	5.86	4.02	1.24	6.04	4.34	1.25	6.40	4.33	1.26	6.58	4.32	1.27			
		20	5.92	4.15	1.81	6.59	4.18	1.84	6.82	4.54	1.85	7.27	4.56	1.87	7.49	4.92	1.88	7.94	4.90	1.89	8.17	4.90	1.90			
		25	5.73	4.08	1.83	6.39	4.10	1.86	6.61	4.46	1.87	7.04	4.48	1.89	7.26	4.83	1.90	7.69	4.82	1.92	7.91	4.81	1.93			
		30	5.44	3.95	2.01	6.06	3.98	2.05	6.26	4.32	2.06	6.67	4.34	2.08	6.88	4.68	2.09	7.29	4.67	2.11	7.50	4.66	2.12			
35	5.69	4.06	2.64	6.34	4.08	2.69	6.55	4.44	2.70	6.98	4.46	2.73	7.20	4.81	2.74	7.63	4.79	2.77	7.85	4.78	2.78					
40	4.89	3.72	2.32	5.45	3.74	2.40	5.64	4.07	2.40	6.01	4.08	2.40	6.19	4.41	2.40	6.57	4.39	2.40	6.75	4.38	2.40					
46	3.65	3.28	1.88	4.06	3.30	1.88	4.20	3.59	1.88	4.48	3.60	1.88	4.61	3.88	1.88	4.89	3.87	1.88	5.03	3.86	1.88					

● Indoor unit : 12000Btu + 14000Btu

		Indoor temperature																								
		18°CDB			21°CDB			23°CDB			25°CDB			27°CDB			29°CDB			32°CDB						
		12°CWB			15°CWB			16°CWB			18°CWB			19°CWB			21°CWB			23°CWB						
12+14	Outdoor temperature	(°CDB)	TC	SHC	IP	TC	SHC	IP	TC	SHC	IP	TC	SHC	IP	TC	SHC	IP	TC	SHC	IP	TC	SHC	IP			
		-10	5.95	4.42	1.05	6.62	4.45	1.06	6.85	4.83	1.07	7.30	4.85	1.08	7.53	5.24	1.08	7.98	5.22	1.10	8.20	5.21	1.10			
		-5	5.70	4.31	1.19	6.35	4.34	1.20	6.56	4.72	1.21	7.00	4.73	1.22	7.21	5.11	1.23	7.65	5.09	1.24	7.86	5.08	1.25			
		0	5.60	4.27	1.31	6.24	4.30	1.33	6.45	4.67	1.34	6.88	4.69	1.35	7.09	5.06	1.36	7.51	5.04	1.37	7.73	5.03	1.38			
		5	5.55	4.25	1.34	6.18	4.27	1.36	6.39	4.64	1.37	6.81	4.66	1.38	7.03	5.03	1.39	7.45	5.02	1.41	7.66	5.01	1.41			
		10	5.60	4.27	1.36	6.24	4.30	1.38	6.45	4.67	1.39	6.88	4.69	1.40	7.09	5.06	1.41	7.51	5.04	1.42	7.73	5.03	1.43			
		15	5.76	4.34	1.59	6.42	4.37	1.61	6.63	4.75	1.62	7.07	4.76	1.64	7.29	5.14	1.65	7.73	5.12	1.66	7.95	5.11	1.67			

● Indoor unit : 12000Btu + 18000Btu

	Indoor temperature																								
	°CDB	18°CDB			21°CDB			23°CDB			25°CDB			27°CDB			29°CDB			32°CDB					
	°CWB	12°CWB			15°CWB			16°CWB			18°CWB			19°CWB			21°CWB			23°CWB					
12+18 Outdoor temperature	(°CDB)	TC	SHC	IP	TC	SHC	IP	TC	SHC	IP	TC	SHC	IP	TC	SHC	IP	TC	SHC	IP	TC	SHC	IP	TC	SHC	IP
	-10	6.36	4.60	1.18	7.09	4.63	1.19	7.33	5.03	1.20	7.81	5.05	1.21	8.05	5.45	1.22	8.54	5.43	1.23	8.78	5.42	1.24			
	-5	6.10	4.48	1.33	6.79	4.51	1.35	7.02	4.90	1.36	7.49	4.92	1.37	7.72	5.31	1.38	8.18	5.29	1.40	8.41	5.29	1.40			
	0	5.99	4.44	1.47	6.67	4.47	1.49	6.90	4.85	1.50	7.36	4.87	1.52	7.58	5.26	1.52	8.04	5.24	1.54	8.27	5.23	1.55			
	5	5.94	4.42	1.51	6.62	4.44	1.53	6.84	4.83	1.54	7.29	4.85	1.56	7.52	5.23	1.56	7.97	5.21	1.58	8.19	5.20	1.59			
	10	5.99	4.44	1.53	6.67	4.47	1.55	6.90	4.85	1.56	7.36	4.87	1.58	7.58	5.26	1.58	8.04	5.24	1.60	8.27	5.23	1.61			
	15	6.48	4.65	1.99	7.22	4.68	2.02	7.47	5.08	2.03	7.96	5.10	2.05	8.21	5.51	2.06	8.70	5.49	2.08	8.94	5.48	2.09			
	20	7.18	4.93	2.35	8.00	4.96	2.38	8.27	5.39	2.39	8.82	5.41	2.42	9.09	5.84	2.43	9.64	5.82	2.46	9.91	5.81	2.47			
	25	6.96	4.84	2.38	7.75	4.87	2.41	8.01	5.29	2.42	8.54	5.31	2.45	8.81	5.74	2.46	9.33	5.71	2.49	9.60	5.70	2.50			
	30	6.59	4.69	2.61	7.35	4.72	2.65	7.60	5.13	2.66	8.10	5.15	2.69	8.35	5.56	2.70	8.85	5.54	2.73	9.10	5.53	2.75			
	35	6.24	4.54	2.77	6.95	4.57	2.87	7.19	4.97	2.87	7.66	4.99	2.87	7.90	5.39	2.87	8.37	5.37	2.87	8.61	5.36	2.87			
	40	5.20	4.09	2.32	5.80	4.12	2.40	5.99	4.47	2.40	6.39	4.49	2.40	6.59	4.85	2.40	6.98	4.83	2.40	7.18	4.82	2.40			
	46	3.85	3.60	1.88	4.29	3.63	1.88	4.43	3.94	1.88	4.73	3.96	1.88	4.87	4.27	1.88	5.17	4.26	1.88	5.31	4.25	1.88			

● Indoor unit : 7000Btu + 7000Btu + 7000Btu

	Indoor temperature																								
	°CDB	18°CDB			21°CDB			23°CDB			25°CDB			27°CDB			29°CDB			32°CDB					
	°CWB	12°CWB			15°CWB			16°CWB			18°CWB			19°CWB			21°CWB			23°CWB					
7+7+7 Outdoor temperature	(°CDB)	TC	SHC	IP	TC	SHC	IP	TC	SHC	IP	TC	SHC	IP	TC	SHC	IP	TC	SHC	IP	TC	SHC	IP	TC	SHC	IP
	-10	5.20	4.09	0.73	5.79	4.12	0.74	5.99	4.48	0.74	6.38	4.50	0.75	6.58	4.85	0.75	6.98	4.84	0.76	7.17	4.83	0.76			
	-5	4.98	3.99	0.82	5.55	4.02	0.84	5.74	4.37	0.84	6.12	4.39	0.85	6.31	4.73	0.85	6.69	4.72	0.86	6.88	4.71	0.87			
	0	4.90	3.95	0.91	5.45	3.98	0.92	5.64	4.32	0.93	6.01	4.34	0.94	6.20	4.69	0.94	6.57	4.67	0.95	6.76	4.66	0.96			
	5	4.85	3.93	0.93	5.41	3.96	0.95	5.59	4.30	0.95	5.96	4.32	0.96	6.14	4.66	0.97	6.51	4.65	0.98	6.70	4.64	0.98			
	10	4.90	3.95	0.95	5.45	3.98	0.96	5.64	4.32	0.96	6.01	4.34	0.97	6.20	4.69	0.98	6.57	4.67	0.99	6.76	4.66	0.99			
	15	4.77	3.89	0.98	5.31	3.92	1.00	5.49	4.26	1.00	5.85	4.27	1.01	6.03	4.61	1.02	6.40	4.60	1.03	6.58	4.59	1.03			
	20	6.03	4.46	1.54	6.72	4.49	1.56	6.94	4.88	1.57	7.40	4.90	1.58	7.63	5.29	1.59	8.09	5.27	1.61	8.32	5.26	1.62			
	25	5.84	4.38	1.55	6.51	4.41	1.58	6.73	4.79	1.59	7.17	4.81	1.60	7.39	5.19	1.61	7.84	5.17	1.63	8.06	5.16	1.64			
	30	5.54	4.25	1.71	6.17	4.27	1.73	6.38	4.64	1.74	6.80	4.66	1.76	7.01	5.03	1.77	7.43	5.01	1.79	7.64	5.00	1.80			
	35	5.85	4.38	2.29	6.51	4.41	2.32	6.73	4.79	2.33	7.18	4.81	2.36	7.40	5.19	2.37	7.84	5.17	2.39	8.07	5.17	2.41			
	40	5.29	4.13	2.32	5.89	4.16	2.40	6.09	4.52	2.40	6.49	4.54	2.40	6.69	4.90	2.40	7.09	4.88	2.40	7.29	4.87	2.40			
	46	3.94	3.63	1.88	4.39	3.65	1.88	4.54	3.97	1.88	4.84	3.98	1.88	4.99	4.30	1.88	5.29	4.28	1.88	5.44	4.27	1.88			

● Indoor unit : 7000Btu + 7000Btu + 9000Btu

	Indoor temperature																								
	°CDB	18°CDB			21°CDB			23°CDB			25°CDB			27°CDB			29°CDB			32°CDB					
	°CWB	12°CWB			15°CWB			16°CWB			18°CWB			19°CWB			21°CWB			23°CWB					
7+7+9 Outdoor temperature	(°CDB)	TC	SHC	IP	TC	SHC	IP	TC	SHC	IP	TC	SHC	IP	TC	SHC	IP	TC	SHC	IP	TC	SHC	IP	TC	SHC	IP
	-10	5.47	4.32	0.79	6.09	4.35	0.81	6.30	4.72	0.81	6.72	4.74	0.82	6.92	5.12	0.82	7.34	5.10	0.83	7.55	5.09	0.84			
	-5	5.24	4.21	0.90	5.84	4.24	0.91	6.04	4.61	0.92	6.44	4.63	0.93	6.64	4.99	0.93	7.03	4.98	0.94	7.23	4.97	0.95			
	0	5.15	4.17	0.99	5.74	4.20	1.01	5.93	4.56	1.01	6.32	4.58	1.02	6.52	4.94	1.03	6.91	4.93	1.04	7.11	4.92	1.04			
	5	5.11	4.15	1.02	5.69	4.18	1.04	5.88	4.54	1.04	6.27	4.56	1.05	6.46	4.92	1.06	6.85	4.90	1.07	7.04	4.89	1.07			
	10	5.15	4.17	1.03	5.74	4.20	1.05	5.93	4.56	1.05	6.32	4.58	1.06	6.52	4.94	1.07	6.91	4.93	1.08	7.11	4.92	1.09			
	15	5.24	4.21	1.18	5.84	4.24	1.20	6.04	4.61	1.20	6.44	4.63	1.22	6.64	4.99	1.22	7.04	4.98	1.23	7.23	4.97	1.24			
	20	6.39	4.72	1.70	7.11	4.75	1.73	7.36	5.17	1.74	7.84	5.19	1.75	8.08	5.60	1.76	8.57	5.58	1.78	8.81	5.57	1.79			
	25	6.19	4.64	1.72	6.89	4.67	1.75	7.13	5.07	1.76	7.60	5.09	1.78	7.83	5.50	1.79	8.30	5.48	1.80	8.53	5.47	1.81			
	30	5.86	4.50	1.89	6.53	4.53	1.92	6.75	4.92	1.93	7.20	4.94	1.95	7.42	5.33	1.96	7.87	5.31	1.98	8.09	5.30	1.99			
	35	6.16	4.63	2.51	6.86	4.66	2.55	7.10	5.06	2.56	7.57	5.08	2.59	7.80	5.48	2.60	8.27	5.46	2.63	8.50	5.45	2.64			
	40	5.36	4.27	2.32	5.97	4.30	2.40	6.18	4.67	2.40	6.58	4.69	2.40	6.79	5.06	2.40	7.19	5.04	2.40	7.40	5.03	2.40			
	46	3.98	3.75	1.88	4.44	3.78	1.88	4.59	4.11	1.88	4.89	4.12	1.88	5.04	4.45	1.88	5.35	4.43	1.88	5.50	4.42	1.88			

● Indoor unit : 7000Btu + 7000Btu + 12000Btu

	Indoor temperature																								
	°CDB	18°CDB			21°CDB			23°CDB			25°CDB			27°CDB			29°CDB			32°CDB					
	°CWB	12°CWB			15°CWB			16°CWB			18°CWB			19°CWB			21°CWB			23°CWB					
7+7+12 Outdoor temperature	(°CDB)	TC	SHC	IP	TC	SHC	IP	TC	SHC	IP	TC	SHC	IP	TC	SHC	IP	TC	SHC	IP	TC	SHC	IP	TC	SHC	IP
	-10	5.82	4.53	0.92	6.48	4.56	0.94	6.70	4.95	0.94	7.14	4.97	0.95	7.36	5.36	0.95	7.80	5.35	0.96	8.02	5.34	0.97			
	-5	5.57	4.42	1.04	6.21	4.44	1.06	6.42	4.83	1.07	6.84	4.85	1.08	7.05	5.23	1.08	7.48	5.22	1.09	7.69	5.21	1.10			
	0	5.48	4.37	1.15	6.10	4.40	1.17	6.31	4.78	1.18	6.72	4.80	1.19	6.93	5.18	1.19	7.35	5.16	1.21	7.56	5.15	1.21			
	5	5.43	4.35	1.18	6.05	4.38	1.20	6.25	4.76	1.21	6.66	4.78	1.22	6.87	5.15	1.23	7.28	5.14	1.24	7.49	5.13	1.24			
	10	5.48	4.37	1.20	6.10	4.40	1.22	6.31	4.78	1.22	6.72	4.80	1.24	6.93	5.18	1.24	7.35	5.16	1.25	7.56	5.15	1.26			
	15	5.66	4.46	1.41	6.31	4.49	1.43	6.52	4.87	1.44	6.95	4.89	1.46	7.17	5.28	1.46	7.59	5.26	1.48	7.81	5.25	1.49			
	20	6.87	4.99	2.02	7.65	5.02	2.06	7.91	5.45	2.07	8.43	5.47	2.09	8.69	5.91	2.10	9.22	5.89	2.12	9.48	5.88	2.13			
	25	6.65	4.89	2.05	7.41	4.93	2.08	7.66	5.35	2.09	8.17	5.37	2.11	8.42	5.80	2.12	8.93	5.78	2.15	9.18	5.77	2.16			
	30	6.31	4.75	2.25	7.03	4.78	2.29	7.26	5.19	2.30	7.74	5.21	2.32	7.98	5.62	2.33	8.46	5.60	2.36	8.70	5.59	2.37			
	35	6.40	4.79	2.77	7.13	4.82	2.87	7.37	5.23	2.87	7.86	5.25	2.87	8.10	5.67	2.87	8.59	5.65	2.87	8.83	5.64	2.87			
	40	5.34	4.31	2.32	5.94	4.33	2.40	6.15	4.71	2.40	6.55	4.73	2.40	6.75	5.10	2.40	7.16	5.09	2.40	7.36	5.08	2.40			
	46	3.98	3.75	1.88	4.44	3.78	1.88	4.59	4.11	1.88	4.89	4.12	1.88	5.04	4.45	1.88	5.35	4.43	1.88	5.50	4.42	1.88			

TC : Total Capacity (kW)
SHC : Sensible Heat Capacity (kW)
IP : Input Power (kW)

● Indoor unit : 7000Btu + 7000Btu + 14000Btu

		Indoor temperature																								
		°CDB			18°CDB			21°CDB			23°CDB			25°CDB			27°CDB			29°CDB			32°CDB			
		°CWB			12°CWB			15°CWB			16°CWB			18°CWB			19°CWB			21°CWB			23°CWB			
7+7+14	Outdoor temperature	(°CDB)	TC	SHC	IP	TC	SHC	IP	TC	SHC	IP	TC	SHC	IP	TC	SHC	IP	TC	SHC	IP	TC	SHC	IP	TC	SHC	IP
		-10	6.77	5.20	1.18	7.54	5.23	1.19	7.79	5.69	1.20	8.31	5.71	1.21	8.56	6.16	1.22	9.08	6.14	1.23	9.34	6.13	1.24			
		-5	6.48	5.07	1.33	7.22	5.10	1.35	7.47	5.55	1.36	7.96	5.57	1.37	8.21	6.01	1.38	8.70	5.99	1.40	8.95	5.98	1.40			
		0	6.37	5.02	1.47	7.10	5.05	1.49	7.34	5.49	1.50	7.82	5.51	1.52	8.06	5.95	1.52	8.55	5.93	1.54	8.79	5.92	1.55			
		5	6.31	5.00	1.51	7.03	5.03	1.53	7.27	5.46	1.54	7.75	5.48	1.56	7.99	5.92	1.56	8.47	5.90	1.58	8.71	5.89	1.59			
		10	6.37	5.02	1.53	7.10	5.05	1.55	7.34	5.49	1.56	7.82	5.51	1.58	8.06	5.95	1.58	8.55	5.93	1.60	8.79	5.92	1.61			
		15	6.47	5.07	1.74	7.21	5.10	1.76	7.46	5.54	1.77	7.95	5.56	1.79	8.19	6.00	1.80	8.68	5.98	1.82	8.93	5.97	1.83			
		20	7.38	5.47	2.18	8.22	5.50	2.22	8.50	5.98	2.23	9.06	6.00	2.25	9.34	6.48	2.26	9.90	6.46	2.29	10.18	6.45	2.30			
		25	7.15	5.37	2.21	7.97	5.40	2.25	8.24	5.87	2.26	8.78	5.89	2.28	9.05	6.36	2.29	9.59	6.34	2.31	9.87	6.33	2.33			
		30	6.78	5.20	2.43	7.55	5.24	2.47	7.81	5.69	2.48	8.32	5.71	2.50	8.58	6.17	2.52	9.09	6.15	2.54	9.35	6.13	2.55			
		35	6.64	5.14	2.77	7.39	5.17	2.87	7.64	5.62	2.87	8.15	5.64	2.87	8.40	6.09	2.87	8.90	6.07	2.87	9.16	6.06	2.87			
40	5.53	4.63	2.32	6.16	4.66	2.40	6.37	5.06	2.40	6.79	5.08	2.40	7.00	5.48	2.40	7.42	5.46	2.40	7.63	5.45	2.40					
46	4.09	4.08	1.88	4.56	4.10	1.88	4.71	4.46	1.88	5.03	4.48	1.88	5.18	4.83	1.88	5.49	4.81	1.88	5.65	4.81	1.88					

● Indoor unit : 7000Btu + 7000Btu + 18000Btu

		Indoor temperature																								
		°CDB			18°CDB			21°CDB			23°CDB			25°CDB			27°CDB			29°CDB			32°CDB			
		°CWB			12°CWB			15°CWB			16°CWB			18°CWB			19°CWB			21°CWB			23°CWB			
7+7+18	Outdoor temperature	(°CDB)	TC	SHC	IP	TC	SHC	IP	TC	SHC	IP	TC	SHC	IP	TC	SHC	IP	TC	SHC	IP	TC	SHC	IP	TC	SHC	IP
		-10	7.14	5.38	1.29	7.96	5.41	1.31	8.23	5.88	1.31	8.77	5.91	1.33	9.04	6.38	1.33	9.59	6.35	1.35	9.86	6.34	1.35			
		-5	6.85	5.25	1.46	7.63	5.28	1.48	7.89	5.74	1.49	8.41	5.76	1.50	8.67	6.22	1.51	9.19	6.20	1.53	9.45	6.19	1.53			
		0	6.73	5.20	1.61	7.49	5.23	1.63	7.75	5.68	1.64	8.26	5.70	1.66	8.52	6.16	1.67	9.03	6.13	1.68	9.28	6.12	1.69			
		5	6.67	5.17	1.65	7.43	5.20	1.68	7.68	5.65	1.69	8.19	5.67	1.70	8.44	6.13	1.71	8.95	6.10	1.73	9.20	6.09	1.74			
		10	7.00	5.32	1.82	7.80	5.35	1.85	8.07	5.81	1.86	8.60	5.84	1.88	8.86	6.30	1.89	9.40	6.28	1.91	9.66	6.27	1.92			
		15	7.08	5.35	2.05	7.88	5.38	2.08	8.15	5.85	2.09	8.69	5.87	2.11	8.96	6.34	2.12	9.50	6.32	2.15	9.77	6.31	2.16			
		20	7.73	5.63	2.35	8.61	5.67	2.38	8.90	6.16	2.39	9.49	6.18	2.42	9.78	6.67	2.43	10.37	6.65	2.46	10.66	6.64	2.47			
		25	7.48	5.53	2.38	8.34	5.56	2.41	8.62	6.04	2.42	9.19	6.07	2.45	9.47	6.55	2.46	10.04	6.53	2.49	10.33	6.51	2.50			
		30	7.09	5.36	2.61	7.90	5.39	2.65	8.17	5.86	2.66	8.71	5.88	2.69	8.98	6.35	2.70	9.52	6.33	2.73	9.79	6.32	2.75			
		35	6.72	5.19	2.77	7.48	5.22	2.87	7.74	5.68	2.87	8.25	5.70	2.87	8.50	6.15	2.87	9.01	6.13	2.87	9.27	6.12	2.87			
40	5.60	4.67	2.32	6.24	4.70	2.40	6.45	5.11	2.40	6.87	5.13	2.40	7.09	5.53	2.40	7.51	5.51	2.40	7.73	5.50	2.40					
46	4.14	4.12	1.88	4.61	4.14	1.88	4.77	4.50	1.88	5.09	4.52	1.88	5.24	4.88	1.88	5.56	4.86	1.88	5.71	4.85	1.88					

● Indoor unit : 7000Btu + 9000Btu + 9000Btu

		Indoor temperature																								
		°CDB			18°CDB			21°CDB			23°CDB			25°CDB			27°CDB			29°CDB			32°CDB			
		°CWB			12°CWB			15°CWB			16°CWB			18°CWB			19°CWB			21°CWB			23°CWB			
7+9+9	Outdoor temperature	(°CDB)	TC	SHC	IP	TC	SHC	IP	TC	SHC	IP	TC	SHC	IP	TC	SHC	IP	TC	SHC	IP	TC	SHC	IP	TC	SHC	IP
		-10	5.76	4.55	0.88	6.42	4.58	0.89	6.64	4.97	0.90	7.08	4.99	0.91	7.29	5.39	0.91	7.73	5.37	0.92	7.95	5.36	0.93			
		-5	5.52	4.44	1.00	6.15	4.47	1.01	6.36	4.85	1.02	6.78	4.87	1.03	6.99	5.26	1.03	7.41	5.24	1.04	7.62	5.23	1.05			
		0	5.43	4.39	1.10	6.04	4.42	1.12	6.25	4.80	1.12	6.66	4.82	1.14	6.87	5.21	1.14	7.28	5.19	1.15	7.49	5.18	1.16			
		5	5.38	4.37	1.13	5.99	4.40	1.15	6.20	4.78	1.15	6.60	4.80	1.17	6.81	5.18	1.17	7.22	5.16	1.18	7.42	5.15	1.19			
		10	5.43	4.39	1.14	6.04	4.42	1.16	6.25	4.80	1.17	6.66	4.82	1.18	6.87	5.21	1.19	7.28	5.19	1.20	7.49	5.18	1.20			
		15	5.73	4.53	1.41	6.38	4.56	1.43	6.60	4.96	1.44	7.04	4.98	1.46	7.25	5.37	1.46	7.69	5.35	1.48	7.91	5.34	1.49			
		20	6.85	5.03	1.96	7.63	5.06	1.99	7.89	5.50	2.00	8.41	5.52	2.02	8.67	5.96	2.03	9.19	5.94	2.05	9.45	5.93	2.06			
		25	6.64	4.94	1.99	7.39	4.97	2.02	7.64	5.40	2.03	8.15	5.42	2.05	8.40	5.85	2.06	8.90	5.83	2.08	9.16	5.82	2.09			
		30	6.29	4.78	2.18	7.01	4.82	2.22	7.25	5.23	2.23	7.72	5.25	2.25	7.96	5.67	2.26	8.44	5.65	2.28	8.68	5.64	2.30			
		35	6.48	4.87	2.77	7.22	4.90	2.87	7.46	5.32	2.87	7.95	5.34	2.87	8.20	5.77	2.87	8.69	5.75	2.87	8.94	5.74	2.87			
40	5.40	4.38	2.32	6.02	4.41	2.40	6.22	4.79	2.40	6.63	4.81	2.40	6.84	5.19	2.40	7.25	5.17	2.40	7.45	5.16	2.40					
46	4.00	3.86	1.88	4.45	3.88	1.88	4.60	4.22	1.88	4.91	4.24	1.88	5.06	4.57	1.88	5.36	4.56	1.88	5.51	4.55	1.88					

● Indoor unit : 7000Btu + 9000Btu + 12000Btu

		Indoor temperature																								
		°CDB			18°CDB			21°CDB			23°CDB			25°CDB			27°CDB			29°CDB			32°CDB			
		°CWB			12°CWB			15°CWB			16°CWB			18°CWB			19°CWB			21°CWB			23°CWB			
7+9+12	Outdoor temperature	(°CDB)	TC	SHC	IP	TC	SHC	IP	TC	SHC	IP	TC	SHC	IP	TC	SHC	IP	TC	SHC	IP	TC	SHC	IP	TC	SHC	IP
		-10	6.25	4.82	1.05	6.96	4.85	1.06	7.20	5.27	1.07	7.68	5.29	1.08	7.91	5.71	1.08	8.39	5.69	1.10	8.63	5.68	1.10			
		-5	5.99	4.70	1.19	6.67	4.73	1.20	6.90	5.14	1.21	7.36	5.16	1.22	7.58	5.57	1.23	8.04	5.55	1.24	8.27	5.54	1.25			
		0	5.89	4.65	1.31	6.56	4.68	1.33	6.78	5.09	1.34	7.23	5.11	1.35	7.45	5.51	1.36	7.90	5.49	1.37	8.12	5.48	1.38			
		5	5.83	4.63	1.34	6.50	4.66	1.36	6.72	5.06	1.37	7.16	5.08	1.38	7.39	5.49	1.39	7.83	5.47	1.41	8.05	5.46	1.41			
		10	5.89	4.65	1.36	6.56	4.68	1.38	6.78	5.09	1.39	7.23	5.11	1.40	7.45	5.51	1.41	7.90	5.49	1.42	8.12	5.48	1.43			
		15	6.05	4.73	1.59	6.74	4.76	1.61	6.97	5.17	1.62	7.43	5.19	1.64	7.66	5.61	1.65	8.12	5.59	1.66	8.35	5.57	1.67			
		20	7.21	5.23	2.18	8.03	5.27	2.22	8.30	5.72	2.23	8.85	5.74	2.25	9.12	6.20	2.26	9.67	6.18	2.29	9.94	6.17	2.30			
		25	6.98	5.14	2.21	7.78	5.17	2.25	8.04	5.62	2.26	8.57	5.64	2.28	8.84	6.09	2.29	9.37	6.07	2.31	9.63	6.05	2.33			
		30	6.62	4.98	2.43	7.37	5.01	2.47	7.62	5.45	2.48	8.12	5.47	2.50	8.38	5.90	2.52	8.88	5.88	2.54	9.13	5.87	2.55			
		35	6.48	4.92	2.77	7.22	4.95	2.87	7.46	5.38	2.87	7.95	5.40	2.87	8.20	5.83	2.87	8.69	5.81	2.87	8.94	5.80	2.87			
40	5.40	4.43	2.32	6.02	4.46	2.40	6.22	4.84	2.40	6.63	4.86	2.40	6.84	5.25	2.40	7.25	5.23	2.40	7.45	5.22	2.40					
46	4.00	3.90	1.88	4.45	3.93	1.88	4.60	4.27	1.88	4.91	4.28	1.88	5.06	4.62	1.88	5.36	4.61	1.88	5.51	4.60	1.88					

TC : Total Capacity (kW)
SHC : Sensible Heat Capacity (kW)
IP : Input Power (kW)

● Indoor unit : 7000Btu + 9000Btu + 14000Btu

		Indoor temperature																							
		18°CDB			21°CDB			23°CDB			25°CDB			27°CDB			29°CDB			32°CDB					
		°CWB			15°CWB			16°CWB			18°CWB			19°CWB			21°CWB			23°CWB					
		(°CDB)	TC	SHC	IP	TC	SHC	IP	TC	SHC	IP	TC	SHC	IP	TC	SHC	IP	TC	SHC	IP	TC	SHC	IP		
7+9+14	Outdoor temperature	-10	6.77	5.29	1.18	7.54	5.33	1.19	7.79	5.79	1.20	8.31	5.81	1.21	8.56	6.27	1.22	9.08	6.25	1.23	9.34	6.24	1.24		
		-5	6.48	5.17	1.33	7.22	5.20	1.35	7.47	5.65	1.36	7.96	5.67	1.37	8.21	6.12	1.38	8.70	6.10	1.40	8.95	6.09	1.40		
		0	6.37	5.11	1.47	7.10	5.15	1.49	7.34	5.59	1.50	7.82	5.61	1.52	8.06	6.06	1.52	8.55	6.04	1.54	8.79	6.03	1.55		
		5	6.31	5.09	1.51	7.03	5.12	1.53	7.27	5.56	1.54	7.75	5.58	1.56	7.99	6.03	1.56	8.47	6.01	1.58	8.71	6.00	1.59		
		10	6.37	5.11	1.53	7.10	5.15	1.55	7.34	5.59	1.56	7.82	5.61	1.58	8.06	6.06	1.58	8.55	6.04	1.60	8.79	6.03	1.61		
		15	6.89	5.35	1.99	7.68	5.39	2.02	7.94	5.85	2.03	8.46	5.88	2.05	8.72	6.34	2.06	9.25	6.32	2.08	9.51	6.31	2.09		
		20	7.64	5.68	2.35	8.51	5.72	2.38	8.80	6.21	2.39	9.37	6.23	2.42	9.66	6.73	2.43	10.24	6.71	2.46	10.53	6.69	2.47		
		25	7.40	5.58	2.38	8.24	5.61	2.41	8.52	6.10	2.42	9.08	6.12	2.45	9.36	6.61	2.46	9.92	6.58	2.49	10.21	6.57	2.50		
		30	7.01	5.40	2.61	7.81	5.44	2.65	8.08	5.91	2.66	8.61	5.93	2.69	8.88	6.41	2.70	9.41	6.38	2.73	9.67	6.37	2.75		
		35	6.64	5.24	2.77	7.39	5.27	2.87	7.64	5.73	2.87	8.15	5.75	2.87	8.40	6.20	2.87	8.90	6.18	2.87	9.16	6.17	2.87		
		40	5.53	4.71	2.32	6.16	4.74	2.40	6.37	5.15	2.40	6.79	5.17	2.40	7.00	5.58	2.40	7.42	5.56	2.40	7.63	5.55	2.40		
46	4.09	4.09	1.88	4.56	4.18	1.88	4.71	4.54	1.88	5.03	4.56	1.88	5.18	4.92	1.88	5.49	4.90	1.88	5.65	4.89	1.88				

● Indoor unit : 7000Btu + 9000Btu + 18000Btu

		Indoor temperature																							
		18°CDB			21°CDB			23°CDB			25°CDB			27°CDB			29°CDB			32°CDB					
		°CWB			15°CWB			16°CWB			18°CWB			19°CWB			21°CWB			23°CWB					
		(°CDB)	TC	SHC	IP	TC	SHC	IP	TC	SHC	IP	TC	SHC	IP	TC	SHC	IP	TC	SHC	IP	TC	SHC	IP		
7+9+18	Outdoor temperature	-10	7.14	5.48	1.29	7.96	5.51	1.31	8.23	5.99	1.31	8.77	6.02	1.33	9.04	6.49	1.33	9.59	6.47	1.35	9.86	6.46	1.35		
		-5	6.85	5.35	1.46	7.63	5.38	1.48	7.89	5.85	1.49	8.41	5.87	1.50	8.67	6.34	1.51	9.19	6.31	1.53	9.45	6.30	1.53		
		0	6.73	5.29	1.61	7.49	5.33	1.63	7.75	5.79	1.64	8.26	5.81	1.66	8.52	6.27	1.67	9.03	6.25	1.68	9.28	6.24	1.69		
		5	6.67	5.26	1.65	7.43	5.30	1.68	7.68	5.76	1.69	8.19	5.78	1.70	8.44	6.24	1.71	8.95	6.22	1.73	9.20	6.21	1.74		
		10	7.16	5.49	1.91	7.98	5.52	1.94	8.25	6.00	1.95	8.80	6.03	1.97	9.07	6.50	1.98	9.61	6.48	2.00	9.89	6.47	2.01		
		15	7.08	5.45	2.05	7.88	5.48	2.08	8.15	5.96	2.09	8.69	5.98	2.11	8.96	6.46	2.12	9.50	6.44	2.15	9.77	6.42	2.16		
		20	7.73	5.73	2.35	8.61	5.77	2.38	8.90	6.27	2.39	9.49	6.30	2.42	9.78	6.80	2.43	10.37	6.77	2.46	10.66	6.76	2.47		
		25	7.48	5.63	2.38	8.34	5.67	2.41	8.62	6.16	2.42	9.19	6.18	2.45	9.47	6.67	2.46	10.04	6.65	2.49	10.33	6.64	2.50		
		30	7.09	5.46	2.61	7.90	5.49	2.65	8.17	5.97	2.66	8.71	5.99	2.69	8.98	6.47	2.70	9.52	6.44	2.73	9.79	6.43	2.75		
		35	6.72	5.29	2.77	7.48	5.32	2.87	7.74	5.78	2.87	8.25	5.80	2.87	8.50	6.26	2.87	9.01	6.24	2.87	9.27	6.23	2.87		
		40	5.60	4.76	2.32	6.24	4.79	2.40	6.45	5.20	2.40	6.87	5.22	2.40	7.09	5.64	2.40	7.51	5.62	2.40	7.73	5.61	2.40		
46	4.14	4.14	1.88	4.61	4.22	1.88	4.77	4.58	1.88	5.09	4.60	1.88	5.24	4.97	1.88	5.56	4.95	1.88	5.71	4.94	1.88				

● Indoor unit : 7000Btu + 12000Btu + 12000Btu

		Indoor temperature																							
		18°CDB			21°CDB			23°CDB			25°CDB			27°CDB			29°CDB			32°CDB					
		°CWB			15°CWB			16°CWB			18°CWB			19°CWB			21°CWB			23°CWB					
		(°CDB)	TC	SHC	IP	TC	SHC	IP	TC	SHC	IP	TC	SHC	IP	TC	SHC	IP	TC	SHC	IP	TC	SHC	IP		
7+12+12	Outdoor temperature	-10	6.60	5.03	1.18	7.36	5.06	1.19	7.61	5.50	1.20	8.11	5.52	1.21	8.36	5.96	1.22	8.86	5.94	1.23	9.11	5.92	1.24		
		-5	6.33	4.90	1.33	7.05	4.94	1.35	7.29	5.36	1.36	7.77	5.38	1.37	8.01	5.81	1.38	8.49	5.79	1.40	8.73	5.78	1.40		
		0	6.22	4.85	1.47	6.93	4.89	1.49	7.16	5.31	1.50	7.64	5.33	1.52	7.87	5.75	1.52	8.35	5.73	1.54	8.58	5.72	1.55		
		5	6.16	4.83	1.51	6.87	4.86	1.53	7.10	5.28	1.54	7.57	5.30	1.56	7.80	5.72	1.56	8.27	5.70	1.58	8.51	5.69	1.59		
		10	6.22	4.85	1.53	6.93	4.89	1.55	7.16	5.31	1.56	7.64	5.33	1.58	7.87	5.75	1.58	8.35	5.73	1.60	8.58	5.72	1.61		
		15	6.32	4.90	1.74	7.04	4.93	1.76	7.28	5.36	1.77	7.76	5.38	1.79	8.00	5.81	1.80	8.48	5.78	1.82	8.72	5.77	1.83		
		20	7.45	5.39	2.35	8.30	5.43	2.38	8.59	5.90	2.39	9.15	5.92	2.42	9.43	6.39	2.43	10.00	6.37	2.46	10.28	6.35	2.47		
		25	7.22	5.29	2.38	8.04	5.33	2.41	8.32	5.79	2.42	8.87	5.81	2.45	9.14	6.27	2.46	9.69	6.25	2.49	9.96	6.24	2.50		
		30	6.84	5.13	2.61	7.62	5.16	2.65	7.88	5.61	2.66	8.40	5.63	2.69	8.66	6.08	2.70	9.18	6.06	2.73	9.44	6.05	2.75		
		35	6.48	4.97	2.77	7.22	5.00	2.87	7.46	5.44	2.87	7.95	5.46	2.87	8.20	5.89	2.87	8.69	5.87	2.87	8.94	5.86	2.87		
		40	5.40	4.47	2.32	6.02	4.50	2.40	6.22	4.89	2.40	6.63	4.91	2.40	6.84	5.30	2.40	7.25	5.28	2.40	7.45	5.27	2.40		
46	4.00	3.94	1.88	4.45	3.97	1.88	4.60	4.31	1.88	4.91	4.33	1.88	5.06	4.67	1.88	5.36	4.65	1.88	5.51	4.65	1.88				

● Indoor unit : 7000Btu + 12000Btu + 14000Btu

		Indoor temperature																							
		18°CDB			21°CDB			23°CDB			25°CDB			27°CDB			29°CDB			32°CDB					
		°CWB			15°CWB			16°CWB			18°CWB			19°CWB			21°CWB			23°CWB					
		(°CDB)	TC	SHC	IP	TC	SHC	IP	TC	SHC	IP	TC	SHC	IP	TC	SHC	IP	TC	SHC	IP	TC	SHC	IP		
7+12+14	Outdoor temperature	-10	7.14	5.55	1.29	7.96	5.58	1.31	8.23	6.07	1.31	8.77	6.09	1.33	9.04	6.58	1.33	9.59	6.55	1.35	9.86	6.54	1.35		
		-5	6.85	5.41	1.46	7.63	5.45	1.48	7.89	5.92	1.49	8.41	5.94	1.50	8.67	6.42	1.51	9.19	6.39	1.53	9.45	6.38	1.53		
		0	6.73	5.36	1.61	7.49	5.39	1.63	7.75	5.86	1.64	8.26	5.88	1.66	8.52	6.35	1.67	9.03	6.33	1.68	9.28	6.32	1.69		
		5	6.67	5.33	1.65	7.43	5.36	1.68	7.68	5.83	1.69	8.19	5.85	1.70	8.44	6.32	1.71	8.95	6.29	1.73	9.20	6.28	1.74		
		10	7.00	5.48	1.82	7.80	5.52	1.85	8.07	6.00	1.86	8.60	6.02	1.88	8.86	6.50	1.89	9.40	6.48	1.91	9.66	6.46	1.92		
		15	7.08	5.52	2.05	7.88	5.55	2.08	8.15	6.04	2.09	8.69	6.06	2.11	8.96	6.54	2.12	9.50	6.52	2.15	9.77	6.51	2.16		
		20	7.73	5.81	2.35	8.61	5.84	2.38	8.90	6.35	2.39	9.49	6.37	2.42	9.78	6.88	2.43	10.37	6.86	2.46	10.66	6.84	2.47		
		25	7.48	5.70	2.38	8.34	5.74	2.41	8.62	6.23	2.42	9.19	6.26	2.45	9.47	6.76	2.46	10.04	6.73	2.49	10.33	6.72	2.50		
		30	7.09	5.53	2.61	7.90	5.56	2.65	8.17	6.04	2.66	8.71	6.07	2.69	8.98	6.55	2.70	9.52	6.53	2.73	9.79	6.51	2.75		
		35	6.72	5.35	2.77	7.48	5.39	2.87	7.74	5.85	2.87	8.25	5.88	2.87	8.50	6.34	2.87	9.01	6.32	2.87	9.27	6.31	2.87		
		40	5.60	4.82	2.32	6.24	4.85	2.40	6.45	5.27	2.40	6.87	5.29	2.40	7.09	5.71	2.40	7.51	5.69	2.40	7.73	5.68	2.40		
46	4.14	4.14	1.88	4.61	4.27	1.88	4.77	4.64	1.88	5.09	4.66	1.88	5.24	5.03	1.88	5.56	5.01	1.88	5.71	5.00	1.88				

TC : Total Capacity (kW)
SHC : Sensible Heat Capacity (kW)
IP : Input Power (kW)

● Indoor unit : 9000Btu + 9000Btu + 9000Btu

		Indoor temperature																								
		18°CDB			21°CDB			23°CDB			25°CDB			27°CDB			29°CDB			32°CDB						
		°CWB			°CWB			°CWB			°CWB			°CWB			°CWB									
9+9+9	Outdoor temperature (°CDB)	TC	SHC	IP	TC	SHC	IP	TC	SHC	IP	TC	SHC	IP	TC	SHC	IP	TC	SHC	IP	TC	SHC	IP	TC	SHC	IP	
		-10	5.89	4.67	0.92	6.56	4.70	0.94	6.78	5.11	0.94	7.23	5.13	0.95	7.45	5.54	0.95	7.90	5.52	0.96	8.12	5.51	0.97	8.12	5.51	0.97
		-5	5.64	4.56	1.04	6.28	4.59	1.06	6.50	4.99	1.07	6.93	5.01	1.08	7.14	5.40	1.08	7.57	5.38	1.09	7.78	5.38	1.10	7.78	5.38	1.10
		0	5.54	4.51	1.15	6.18	4.54	1.17	6.39	4.94	1.18	6.81	4.96	1.19	7.02	5.35	1.19	7.44	5.33	1.21	7.65	5.32	1.21	7.65	5.32	1.21
		5	5.49	4.49	1.18	6.12	4.52	1.20	6.33	4.91	1.21	6.75	4.93	1.22	6.96	5.32	1.23	7.37	5.30	1.24	7.58	5.29	1.24	7.58	5.29	1.24
		10	5.54	4.51	1.20	6.18	4.54	1.22	6.39	4.94	1.22	6.81	4.96	1.24	7.02	5.35	1.24	7.44	5.33	1.25	7.65	5.32	1.26	7.65	5.32	1.26
		15	6.05	4.75	1.59	6.74	4.78	1.61	6.97	5.20	1.62	7.43	5.22	1.64	7.66	5.63	1.65	8.12	5.61	1.66	8.35	5.60	1.67	8.35	5.60	1.67
		20	6.95	5.15	2.02	7.74	5.18	2.06	8.01	5.63	2.07	8.54	5.65	2.09	8.80	6.10	2.10	9.33	6.08	2.12	9.59	6.07	2.13	9.59	6.07	2.13
		25	6.74	5.05	2.05	7.50	5.09	2.08	7.76	5.53	2.09	8.27	5.55	2.11	8.53	5.99	2.12	9.04	5.97	2.15	9.29	5.96	2.16	9.29	5.96	2.16
		30	6.38	4.90	2.25	7.11	4.93	2.29	7.35	5.36	2.30	7.84	5.38	2.32	8.08	5.81	2.33	8.57	5.79	2.36	8.81	5.78	2.37	8.81	5.78	2.37
		35	6.48	4.94	2.77	7.22	4.97	2.87	7.46	5.40	2.87	7.95	5.42	2.87	8.20	5.86	2.87	8.69	5.83	2.87	8.94	5.82	2.87	8.94	5.82	2.87
		40	5.40	4.45	2.32	6.02	4.48	2.40	6.22	4.86	2.40	6.63	4.88	2.40	6.84	5.27	2.40	7.25	5.25	2.40	7.45	5.24	2.40	7.45	5.24	2.40
		46	4.00	3.92	1.88	4.45	3.94	1.88	4.60	4.28	1.88	4.91	4.30	1.88	5.06	4.64	1.88	5.36	4.63	1.88	5.51	4.62	1.88	5.51	4.62	1.88

● Indoor unit : 9000Btu + 9000Btu + 12000Btu

		Indoor temperature																								
		18°CDB			21°CDB			23°CDB			25°CDB			27°CDB			29°CDB			32°CDB						
		°CWB			°CWB			°CWB			°CWB			°CWB			°CWB									
9+9+12	Outdoor temperature (°CDB)	TC	SHC	IP	TC	SHC	IP	TC	SHC	IP	TC	SHC	IP	TC	SHC	IP	TC	SHC	IP	TC	SHC	IP	TC	SHC	IP	
		-10	6.33	4.95	1.05	7.05	4.98	1.06	7.29	5.41	1.07	7.77	5.44	1.08	8.01	5.87	1.08	8.49	5.85	1.10	8.73	5.84	1.10	8.73	5.84	1.10
		-5	6.06	4.83	1.19	6.75	4.86	1.20	6.98	5.28	1.21	7.45	5.30	1.22	7.68	5.72	1.23	8.14	5.70	1.24	8.37	5.69	1.25	8.37	5.69	1.25
		0	5.96	4.78	1.31	6.64	4.81	1.33	6.86	5.23	1.34	7.32	5.25	1.35	7.54	5.67	1.36	7.99	5.65	1.37	8.22	5.64	1.38	8.22	5.64	1.38
		5	5.91	4.76	1.34	6.58	4.79	1.36	6.80	5.20	1.37	7.25	5.22	1.38	7.48	5.64	1.39	7.92	5.62	1.41	8.15	5.61	1.41	8.15	5.61	1.41
		10	5.96	4.78	1.36	6.64	4.81	1.38	6.86	5.23	1.39	7.32	5.25	1.40	7.54	5.67	1.41	7.99	5.65	1.42	8.22	5.64	1.43	8.22	5.64	1.43
		15	6.39	4.98	1.74	7.12	5.01	1.76	7.37	5.45	1.77	7.85	5.47	1.79	8.09	5.90	1.80	8.58	5.88	1.82	8.82	5.87	1.83	8.82	5.87	1.83
		20	7.54	5.48	2.35	8.40	5.52	2.38	8.69	6.00	2.39	9.26	6.02	2.42	9.55	6.50	2.43	10.12	6.47	2.46	10.41	6.46	2.47	10.41	6.46	2.47
		25	7.31	5.38	2.38	8.14	5.42	2.41	8.42	5.89	2.42	8.97	5.91	2.45	9.25	6.38	2.46	9.81	6.36	2.49	10.08	6.34	2.50	10.08	6.34	2.50
		30	6.93	5.22	2.61	7.72	5.25	2.65	7.98	5.71	2.66	8.51	5.73	2.69	8.77	6.18	2.70	9.30	6.16	2.73	9.56	6.15	2.75	9.56	6.15	2.75
		35	6.56	5.05	2.77	7.30	5.09	2.87	7.55	5.53	2.87	8.05	5.55	2.87	8.30	5.99	2.87	8.80	5.97	2.87	9.05	5.96	2.87	9.05	5.96	2.87
		40	5.47	4.55	2.32	6.09	4.58	2.40	6.30	4.97	2.40	6.71	4.99	2.40	6.92	5.39	2.40	7.34	5.37	2.40	7.54	5.36	2.40	7.54	5.36	2.40
		46	4.04	4.01	1.88	4.51	4.03	1.88	4.66	4.38	1.88	4.97	4.40	1.88	5.12	4.75	1.88	5.43	4.73	1.88	5.58	4.72	1.88	5.58	4.72	1.88

● Indoor unit : 9000Btu + 9000Btu + 14000Btu

		Indoor temperature																								
		18°CDB			21°CDB			23°CDB			25°CDB			27°CDB			29°CDB			32°CDB						
		°CWB			°CWB			°CWB			°CWB			°CWB			°CWB									
9+9+14	Outdoor temperature (°CDB)	TC	SHC	IP	TC	SHC	IP	TC	SHC	IP	TC	SHC	IP	TC	SHC	IP	TC	SHC	IP	TC	SHC	IP	TC	SHC	IP	
		-10	7.14	5.58	1.29	7.96	5.61	1.31	8.23	6.10	1.31	8.77	6.12	1.33	9.04	6.61	1.33	9.59	6.58	1.35	9.86	6.57	1.35	9.86	6.57	1.35
		-5	6.85	5.44	1.46	7.63	5.47	1.48	7.89	5.95	1.49	8.41	5.97	1.50	8.67	6.45	1.51	9.19	6.42	1.53	9.45	6.41	1.53	9.45	6.41	1.53
		0	6.73	5.38	1.61	7.49	5.42	1.63	7.75	5.89	1.64	8.26	5.91	1.66	8.52	6.38	1.67	9.03	6.36	1.68	9.28	6.35	1.69	9.28	6.35	1.69
		5	6.67	5.36	1.65	7.43	5.39	1.68	7.68	5.86	1.69	8.19	5.88	1.70	8.44	6.35	1.71	8.95	6.33	1.73	9.20	6.31	1.74	9.20	6.31	1.74
		10	6.73	5.38	1.67	7.49	5.42	1.70	7.75	5.89	1.71	8.26	5.91	1.73	8.52	6.38	1.73	9.03	6.36	1.75	9.28	6.35	1.76	9.28	6.35	1.76
		15	7.08	5.55	2.05	7.88	5.58	2.08	8.15	6.06	2.09	8.69	6.09	2.11	8.96	6.57	2.12	9.50	6.55	2.15	9.77	6.54	2.16	9.77	6.54	2.16
		20	7.73	5.83	2.35	8.61	5.87	2.38	8.90	6.38	2.39	9.49	6.41	2.42	9.78	6.91	2.43	10.37	6.89	2.46	10.66	6.88	2.47	10.66	6.88	2.47
		25	7.48	5.73	2.38	8.34	5.76	2.41	8.62	6.26	2.42	9.19	6.29	2.45	9.47	6.79	2.46	10.04	6.76	2.49	10.33	6.75	2.50	10.33	6.75	2.50
		30	7.09	5.55	2.61	7.90	5.59	2.65	8.17	6.07	2.66	8.71	6.10	2.69	8.98	6.58	2.70	9.52	6.56	2.73	9.79	6.55	2.75	9.79	6.55	2.75
		35	6.72	5.38	2.77	7.48	5.41	2.87	7.74	5.88	2.87	8.25	5.90	2.87	8.50	6.37	2.87	9.01	6.35	2.87	9.27	6.34	2.87	9.27	6.34	2.87
		40	5.60	4.84	2.32	6.24	4.87	2.40	6.45	5.29	2.40	6.87	5.31	2.40	7.09	5.74	2.40	7.51	5.72	2.40	7.73	5.71	2.40	7.73	5.71	2.40
		46	4.14	4.14	1.88	4.61	4.29	1.88	4.77	4.66	1.88	5.09	4.68	1.88	5.24	5.05	1.88	5.56	5.04	1.88	5.71	5.03	1.88	5.71	5.03	1.88

● Indoor unit* : 9000Btu + 9000Btu + 18000Btu

		Indoor temperature																								
		18°CDB			21°CDB			23°CDB			25°CDB			27°CDB			29°CDB			32°CDB						
		°CWB			°CWB			°CWB			°CWB			°CWB			°CWB									
9+9+18	Outdoor temperature (°CDB)	TC	SHC	IP	TC	SHC	IP	TC	SHC	IP	TC	SHC	IP	TC	SHC	IP	TC	SHC	IP	TC	SHC	IP	TC	SHC	IP	
		-10	7.14	5.56	1.29	7.96	5.60	1.31	8.23	6.09	1.31	8.77	6.11	1.33	9.04	6.59	1.33	9.59	6.57	1.35	9.86	6.56	1.35	9.86	6.56	1.35
		-5	6.85	5.43	1.46	7.63	5.46	1.48	7.89	5.94	1.49	8.41	5.96	1.50	8.67	6.43	1.51	9.19	6.41	1.53	9.45	6.40	1.53	9.45	6.40	1.53
		0	6.73	5.37	1.61	7.49	5.41	1.63	7.75	5.88	1.64	8.26	5.90	1.66	8.52	6.37	1.67	9.03	6.35	1.68	9.28	6.33	1.69	9.28	6.33	1.69
		5	6.67	5.35	1.65	7.43	5.38	1.68	7.68	5.85	1.69	8.19	5.87	1.70	8.44	6.34	1.71	8.95	6.31	1.73	9.20	6.30	1.74	9.20	6.30	1.74
		10	7.27	5.62	1.97	8.10	5.66	2.00	8.38	6.15	2.01	8.93	6.17	2.03	9.20	6.66	2.05	9.76	6.64	2.07	10.03	6.63	2.08	10.03	6.63	2.08
		15	7.08	5.53	2.05	7.88	5.57	2.08	8.15	6.05	2.09	8.69	6.08	2.11	8.96	6.56	2.12	9.50	6.54	2.15	9.77	6.52	2.16	9.77	6.52	2.16
		20	7.73	5.82	2.35	8.61	5.86	2.38	8.90	6.37	2.39	9.49	6.39	2.42	9.78	6.90	2.43	10.37	6.88	2.46	10.66	6.86	2.47	10.66	6.86	2.47
		25	7.48	5.72	2.38	8.34	5.75	2.41	8.62	6.25	2.42	9.19	6.28	2.45	9.47	6.77	2.46	10.04	6.75	2.49	10.33	6.74	2.50	10.33	6.74	2.50
		30	7.09	5.54	2.61	7.90	5.58	2.65	8.17	6.06	2.66	8.71	6.08	2.69	8.98	6										

● Indoor unit : 9000Btu + 12000Btu + 12000Btu

		Indoor temperature																							
		18°CDB			21°CDB			23°CDB			25°CDB			27°CDB			29°CDB			32°CDB					
		12°CWB			15°CWB			16°CWB			18°CWB			19°CWB			21°CWB			23°CWB					
9+12+12	Outdoor temperature	(°CDB)	TC	SHC	IP	TC	SHC	IP	TC	SHC	IP	TC	SHC	IP	TC	SHC	IP	TC	SHC	IP	TC	SHC	IP		
		-10	6.69	5.18	1.18	7.45	5.21	1.19	7.70	5.66	1.20	8.21	5.68	1.21	8.46	6.14	1.22	8.97	6.11	1.23	9.22	6.10	1.24		
		-5	6.41	5.05	1.33	7.14	5.08	1.35	7.38	5.52	1.36	7.87	5.55	1.37	8.11	5.99	1.38	8.60	5.97	1.40	8.84	5.95	1.40		
		0	6.30	5.00	1.47	7.01	5.03	1.49	7.25	5.47	1.50	7.73	5.49	1.52	7.97	5.93	1.52	8.45	5.90	1.54	8.69	5.89	1.55		
		5	6.24	4.97	1.51	6.95	5.01	1.53	7.19	5.44	1.54	7.66	5.46	1.56	7.90	5.90	1.56	8.37	5.87	1.58	8.61	5.86	1.59		
		10	6.30	5.00	1.53	7.01	5.03	1.55	7.25	5.47	1.56	7.73	5.49	1.58	7.97	5.93	1.58	8.45	5.90	1.60	8.69	5.89	1.61		
		15	6.81	5.23	1.99	7.59	5.27	2.02	7.84	5.72	2.03	8.36	5.75	2.05	8.62	6.20	2.06	9.14	6.18	2.08	9.40	6.17	2.09		
		20	7.54	5.55	2.35	8.40	5.59	2.38	8.69	6.07	2.39	9.26	6.10	2.42	9.55	6.58	2.43	10.12	6.56	2.46	10.41	6.55	2.47		
		25	7.31	5.45	2.38	8.14	5.49	2.41	8.42	5.96	2.42	8.97	5.99	2.45	9.25	6.46	2.46	9.81	6.44	2.49	10.08	6.43	2.50		
		30	6.93	5.29	2.61	7.72	5.32	2.65	7.98	5.78	2.66	8.51	5.80	2.69	8.77	6.26	2.70	9.30	6.24	2.73	9.56	6.23	2.75		
		35	6.56	5.12	2.77	7.30	5.15	2.87	7.55	5.60	2.87	8.05	5.62	2.87	8.30	6.07	2.87	8.80	6.05	2.87	9.05	6.03	2.87		
40	5.47	4.61	2.32	6.09	4.64	2.40	6.30	5.04	2.40	6.71	5.06	2.40	6.92	5.46	2.40	7.34	5.44	2.40	7.54	5.43	2.40				
46	4.04	4.04	1.88	4.51	4.09	1.88	4.66	4.44	1.88	4.97	4.46	1.88	5.12	4.81	1.88	5.43	4.79	1.88	5.58	4.79	1.88				

● Indoor unit : 9000Btu + 12000Btu + 14000Btu

		Indoor temperature																							
		18°CDB			21°CDB			23°CDB			25°CDB			27°CDB			29°CDB			32°CDB					
		12°CWB			15°CWB			16°CWB			18°CWB			19°CWB			21°CWB			23°CWB					
9+12+14	Outdoor temperature	(°CDB)	TC	SHC	IP	TC	SHC	IP	TC	SHC	IP	TC	SHC	IP	TC	SHC	IP	TC	SHC	IP	TC	SHC	IP		
		-10	7.14	5.63	1.29	7.96	5.67	1.31	8.23	6.16	1.31	8.77	6.18	1.33	9.04	6.68	1.33	9.59	6.65	1.35	9.86	6.64	1.35		
		-5	6.85	5.50	1.46	7.63	5.53	1.48	7.89	6.01	1.49	8.41	6.03	1.50	8.67	6.51	1.51	9.19	6.49	1.53	9.45	6.48	1.53		
		0	6.73	5.44	1.61	7.49	5.48	1.63	7.75	5.95	1.64	8.26	5.97	1.66	8.52	6.45	1.67	9.03	6.42	1.68	9.28	6.41	1.69		
		5	6.67	5.41	1.65	7.43	5.45	1.68	7.68	5.92	1.69	8.19	5.94	1.70	8.44	6.41	1.71	8.95	6.39	1.73	9.20	6.38	1.74		
		10	7.16	5.64	1.91	7.98	5.68	1.94	8.25	6.17	1.95	8.80	6.19	1.97	9.07	6.69	1.98	9.61	6.66	2.00	9.89	6.65	2.01		
		15	7.08	5.60	2.05	7.88	5.64	2.08	8.15	6.13	2.09	8.69	6.15	2.11	8.96	6.64	2.12	9.50	6.62	2.15	9.77	6.60	2.16		
		20	7.73	5.89	2.35	8.61	5.93	2.38	8.90	6.45	2.39	9.49	6.47	2.42	9.78	6.99	2.43	10.37	6.96	2.46	10.66	6.95	2.47		
		25	7.48	5.79	2.38	8.34	5.82	2.41	8.62	6.33	2.42	9.19	6.35	2.45	9.47	6.86	2.46	10.04	6.83	2.49	10.33	6.82	2.50		
		30	7.09	5.61	2.61	7.90	5.65	2.65	8.17	6.14	2.66	8.71	6.16	2.69	8.98	6.65	2.70	9.52	6.63	2.73	9.79	6.61	2.75		
		35	6.72	5.43	2.77	7.48	5.47	2.87	7.74	5.94	2.87	8.25	5.97	2.87	8.50	6.44	2.87	9.01	6.42	2.87	9.27	6.41	2.87		
40	5.60	4.89	2.32	6.24	4.92	2.40	6.45	5.35	2.40	6.87	5.37	2.40	7.09	5.80	2.40	7.51	5.78	2.40	7.73	5.76	2.40				
46	4.14	4.14	1.88	4.61	4.34	1.88	4.77	4.71	1.88	5.09	4.73	1.88	5.24	5.11	1.88	5.56	5.09	1.88	5.71	5.08	1.88				

● Indoor unit : 12000Btu + 12000Btu + 12000Btu

		Indoor temperature																							
		18°CDB			21°CDB			23°CDB			25°CDB			27°CDB			29°CDB			32°CDB					
		12°CWB			15°CWB			16°CWB			18°CWB			19°CWB			21°CWB			23°CWB					
12+12+12	Outdoor temperature	(°CDB)	TC	SHC	IP	TC	SHC	IP	TC	SHC	IP	TC	SHC	IP	TC	SHC	IP	TC	SHC	IP	TC	SHC	IP		
		-10	6.98	5.36	1.29	7.77	5.40	1.31	8.04	5.87	1.31	8.57	5.89	1.33	8.83	6.36	1.33	9.36	6.33	1.35	9.63	6.32	1.35		
		-5	6.69	5.23	1.46	7.45	5.27	1.48	7.70	5.72	1.49	8.21	5.75	1.50	8.46	6.20	1.51	8.97	6.18	1.53	9.22	6.17	1.53		
		0	6.57	5.18	1.61	7.32	5.21	1.63	7.57	5.67	1.64	8.07	5.69	1.66	8.32	6.14	1.67	8.81	6.12	1.68	9.06	6.11	1.69		
		5	6.51	5.15	1.65	7.25	5.19	1.68	7.50	5.64	1.69	7.99	5.66	1.70	8.24	6.11	1.71	8.74	6.09	1.73	8.98	6.07	1.74		
		10	6.84	5.30	1.82	7.62	5.34	1.85	7.88	5.80	1.86	8.40	5.82	1.88	8.66	6.28	1.89	9.17	6.26	1.91	9.43	6.25	1.92		
		15	6.91	5.34	2.05	7.70	5.37	2.08	7.96	5.83	2.09	8.49	5.86	2.11	8.75	6.32	2.12	9.27	6.30	2.15	9.54	6.29	2.16		
		20	7.54	5.61	2.35	8.40	5.65	2.38	8.69	6.14	2.39	9.26	6.16	2.42	9.55	6.65	2.43	10.12	6.63	2.46	10.41	6.62	2.47		
		25	7.31	5.51	2.38	8.14	5.55	2.41	8.42	6.03	2.42	8.97	6.05	2.45	9.25	6.53	2.46	9.81	6.51	2.49	10.08	6.50	2.50		
		30	6.93	5.34	2.61	7.72	5.38	2.65	7.98	5.84	2.66	8.51	5.87	2.69	8.77	6.33	2.70	9.30	6.31	2.73	9.56	6.30	2.75		
		35	6.56	5.17	2.77	7.30	5.21	2.87	7.55	5.66	2.87	8.05	5.68	2.87	8.30	6.13	2.87	8.80	6.11	2.87	9.05	6.10	2.87		
40	5.47	4.66	2.32	6.09	4.69	2.40	6.30	5.09	2.40	6.71	5.11	2.40	6.92	5.52	2.40	7.34	5.50	2.40	7.54	5.49	2.40				
46	4.04	4.04	1.88	4.51	4.13	1.88	4.66	4.49	1.88	4.97	4.51	1.88	5.12	4.86	1.88	5.43	4.85	1.88	5.58	4.84	1.88				

TC : Total Capacity (kW)
SHC : Sensible Heat Capacity (kW)
IP : Input Power (kW)

5-3. HEATING CAPACITY

This table is created using the maximum capacity.

Note: 2 or more indoor units should be connected.

■ MODEL: AO*G18L3

● Indoor unit : 7000Btu

			Indoor temperature										
			16°CDB		18°CDB		20°CDB		22°CDB		24°CDB		
7	Outdoor temperature	(°CDB)	(°CWB)	TC	IP	TC	IP	TC	IP	TC	IP	TC	IP
		-15	-16	2.32	1.06	2.27	1.09	2.21	1.11	2.16	1.13	2.10	1.15
		-10	-11	2.65	1.14	2.59	1.16	2.52	1.19	2.46	1.21	2.40	1.23
		-5	-7	2.77	1.09	2.70	1.11	2.64	1.13	2.57	1.16	2.50	1.18
		0	-2	2.89	1.03	2.82	1.05	2.75	1.08	2.68	1.10	2.61	1.12
		5	3	3.26	0.96	3.18	0.98	3.10	1.00	3.02	1.02	2.95	1.04
		7	6	3.47	0.96	3.38	0.98	3.30	1.00	3.22	1.02	3.14	1.04
		10	8	3.50	1.01	3.42	1.03	3.33	1.05	3.25	1.07	3.17	1.09
		15	10	3.53	0.97	3.45	0.99	3.37	1.01	3.28	1.03	3.20	1.05
20	15	3.47	0.76	3.38	0.78	3.30	0.79	3.22	0.81	3.14	0.83		

● Indoor unit : 9000Btu

			Indoor temperature										
			16°CDB		18°CDB		20°CDB		22°CDB		24°CDB		
9	Outdoor temperature	(°CDB)	(°CWB)	TC	IP	TC	IP	TC	IP	TC	IP	TC	IP
		-15	-16	2.88	1.29	2.81	1.32	2.74	1.34	2.68	1.37	2.61	1.40
		-10	-11	3.28	1.39	3.20	1.42	3.12	1.44	3.04	1.47	2.97	1.50
		-5	-7	3.46	1.34	3.38	1.37	3.29	1.40	3.21	1.43	3.13	1.46
		0	-2	3.66	1.30	3.57	1.33	3.49	1.35	3.40	1.38	3.31	1.41
		5	3	4.15	1.25	4.05	1.27	3.95	1.30	3.85	1.33	3.75	1.35
		7	6	4.41	1.25	4.31	1.27	4.20	1.30	4.10	1.33	3.99	1.35
		10	8	4.45	1.27	4.35	1.30	4.24	1.33	4.14	1.35	4.03	1.38
		15	10	4.50	1.27	4.39	1.30	4.28	1.32	4.18	1.35	4.07	1.38
20	15	4.41	0.96	4.31	0.98	4.20	1.00	4.10	1.02	3.99	1.04		

● Indoor unit : 12000Btu

			Indoor temperature										
			16°CDB		18°CDB		20°CDB		22°CDB		24°CDB		
12	Outdoor temperature	(°CDB)	(°CWB)	TC	IP	TC	IP	TC	IP	TC	IP	TC	IP
		-15	-16	3.29	1.67	3.21	1.70	3.14	1.74	3.06	1.77	2.98	1.80
		-10	-11	3.75	1.78	3.66	1.82	3.57	1.86	3.48	1.89	3.39	1.93
		-5	-7	3.95	1.75	3.86	1.78	3.76	1.82	3.67	1.86	3.57	1.89
		0	-2	4.18	1.66	4.08	1.70	3.98	1.73	3.88	1.77	3.78	1.80
		5	3	4.74	1.56	4.62	1.59	4.51	1.62	4.40	1.65	4.29	1.68
		7	6	5.04	1.56	4.92	1.59	4.80	1.62	4.68	1.65	4.56	1.68
		10	8	5.09	1.59	4.97	1.62	4.85	1.65	4.73	1.69	4.61	1.72
		15	10	5.14	1.59	5.02	1.63	4.90	1.66	4.77	1.69	4.65	1.73
20	15	5.04	1.35	4.92	1.38	4.80	1.41	4.68	1.43	4.56	1.46		

● Indoor unit : 14000Btu

			Indoor temperature										
			16°CDB		18°CDB		20°CDB		22°CDB		24°CDB		
14	Outdoor temperature	(°CDB)	(°CWB)	TC	IP	TC	IP	TC	IP	TC	IP	TC	IP
		-15	-16	3.95	1.71	3.85	1.75	3.76	1.78	3.67	1.82	3.57	1.86
		-10	-11	4.50	1.83	4.39	1.87	4.29	1.91	4.18	1.95	4.07	1.98
		-5	-7	4.78	1.80	4.67	1.84	4.55	1.88	4.44	1.92	4.33	1.95
		0	-2	5.09	1.74	4.97	1.77	4.85	1.81	4.73	1.85	4.61	1.88
		5	3	5.72	1.63	5.59	1.67	5.45	1.70	5.32	1.73	5.18	1.77
		7	6	6.09	1.63	5.95	1.67	5.80	1.70	5.66	1.73	5.51	1.77
		10	8	6.15	1.67	6.00	1.70	5.86	1.74	5.71	1.77	5.57	1.81
		15	10	6.40	1.75	6.24	1.79	6.09	1.83	5.94	1.86	5.79	1.90
20	15	6.09	1.36	5.95	1.39	5.80	1.42	5.66	1.45	5.51	1.48		

TC : Total Capacity (kW)
IP : Input Power (kW)

● Indoor unit : 7000Btu + 7000Btu

			Indoor temperature										
			16°CDB		18°CDB		20°CDB		22°CDB		24°CDB		
7+7	Outdoor temperature	(°CDB)	(°CWB)	TC	IP	TC	IP	TC	IP	TC	IP	TC	IP
		-15	-16	3.78	1.83	3.69	1.87	3.60	1.91	3.51	1.95	3.42	1.99
		-10	-11	4.26	1.95	4.16	1.99	4.06	2.03	3.96	2.06	3.86	2.06
		-5	-7	4.80	1.91	4.68	1.95	4.57	1.99	4.45	2.03	4.34	2.06
		0	-2	5.41	1.72	5.28	1.76	5.15	1.94	5.02	1.83	4.89	1.87
		5	3	6.02	1.80	5.88	1.83	5.73	1.91	5.59	1.91	5.45	1.95
		7	6	6.41	1.85	6.25	1.89	6.10	1.93	5.95	1.97	5.80	2.01
		10	8	6.47	1.89	6.32	1.93	6.16	1.97	6.01	2.01	5.85	2.05
		15	10	6.53	1.91	6.38	1.95	6.22	1.99	6.07	2.03	5.91	2.06
		20	15	6.41	1.67	6.25	1.70	6.10	1.74	5.95	1.77	5.80	1.81

● Indoor unit : 7000Btu + 9000Btu

			Indoor temperature										
			16°CDB		18°CDB		20°CDB		22°CDB		24°CDB		
7+9	Outdoor temperature	(°CDB)	(°CWB)	TC	IP	TC	IP	TC	IP	TC	IP	TC	IP
		-15	-16	3.82	1.96	3.72	2.00	3.63	2.04	3.54	2.06	3.45	2.06
		-10	-11	4.33	1.98	4.23	2.02	4.13	2.06	4.02	2.06	3.92	2.06
		-5	-7	4.87	1.98	4.76	2.02	4.64	2.06	4.52	2.06	4.41	2.06
		0	-2	5.58	1.84	5.44	1.88	5.31	2.03	5.18	1.95	5.05	1.99
		5	3	6.32	1.92	6.17	1.96	6.02	2.04	5.87	2.04	5.72	2.06
		7	6	6.72	1.98	6.56	2.02	6.40	2.06	6.24	2.06	6.08	2.06
		10	8	6.79	1.98	6.63	2.02	6.46	2.06	6.30	2.06	6.14	2.06
		15	10	6.85	1.98	6.69	2.02	6.53	2.06	6.36	2.06	6.20	2.06
		20	15	6.72	1.78	6.56	1.82	6.40	1.85	6.24	1.89	6.08	1.93

● Indoor unit : 7000Btu + 12000Btu

			Indoor temperature										
			16°CDB		18°CDB		20°CDB		22°CDB		24°CDB		
7+12	Outdoor temperature	(°CDB)	(°CWB)	TC	IP	TC	IP	TC	IP	TC	IP	TC	IP
		-15	-16	3.94	1.95	3.85	1.99	3.75	2.03	3.66	2.06	3.57	2.06
		-10	-11	4.45	1.98	4.34	2.02	4.24	2.06	4.13	2.06	4.02	2.06
		-5	-7	4.95	1.98	4.83	2.02	4.71	2.06	4.59	2.06	4.48	2.06
		0	-2	5.68	1.83	5.55	1.87	5.41	2.04	5.27	1.94	5.14	1.98
		5	3	6.42	1.91	6.26	1.95	6.11	2.05	5.96	2.03	5.80	2.06
		7	6	6.83	1.98	6.66	2.02	6.50	2.06	6.34	2.06	6.18	2.06
		10	8	6.89	1.98	6.73	2.02	6.57	2.06	6.40	2.06	6.24	2.06
		15	10	6.96	1.97	6.80	2.01	6.63	2.05	6.46	2.06	6.30	2.06
		20	15	6.83	1.57	6.66	1.61	6.50	1.64	6.34	1.67	6.18	1.71

● Indoor unit : 7000Btu + 14000Btu

			Indoor temperature										
			16°CDB		18°CDB		20°CDB		22°CDB		24°CDB		
7+14	Outdoor temperature	(°CDB)	(°CWB)	TC	IP	TC	IP	TC	IP	TC	IP	TC	IP
		-15	-16	4.34	1.93	4.24	1.97	4.13	2.01	4.03	2.05	3.93	2.06
		-10	-11	4.94	1.98	4.82	2.02	4.70	2.06	4.58	2.06	4.47	2.06
		-5	-7	5.44	1.98	5.31	2.02	5.18	2.06	5.05	2.06	4.92	2.06
		0	-2	6.20	1.81	6.06	1.85	5.91	2.04	5.76	1.93	5.61	1.96
		5.12	3	7.01	1.89	6.84	1.93	6.67	2.04	6.51	2.01	6.34	2.05
		7	6	7.46	1.98	7.28	2.02	7.10	2.06	6.92	2.06	6.75	2.06
		10	8	7.53	1.98	7.35	2.02	7.17	2.06	6.99	2.06	6.81	2.06
		15	10	7.60	1.95	7.42	1.99	7.24	2.03	7.06	2.06	6.88	2.06
		20	15	7.46	1.56	7.28	1.59	7.10	1.62	6.92	1.66	6.75	1.69

TC : Total Capacity (kW)
IP : Input Power (kW)

● Indoor unit : 9000Btu + 9000Btu

			Indoor temperature										
			16°CDB		18°CDB		20°CDB		22°CDB		24°CDB		
9+9	Outdoor temperature	(°CDB)	(°CWB)	TC	IP	TC	IP	TC	IP	TC	IP	TC	IP
		-15	-16	3.89	1.95	3.80	1.99	3.71	2.03	3.61	2.06	3.52	2.06
		-10	-11	4.39	1.98	4.29	2.02	4.19	2.06	4.08	2.06	3.98	2.06
		-5	-7	4.95	1.98	4.83	2.02	4.71	2.06	4.59	2.06	4.48	2.06
		0	-2	5.66	1.83	5.53	1.87	5.40	2.04	5.26	1.94	5.13	1.98
		5	3	6.42	1.91	6.26	1.95	6.11	2.04	5.96	2.03	5.80	2.06
		7	6	6.83	1.98	6.66	2.02	6.50	2.06	6.34	2.06	6.18	2.06
		10	8	6.89	1.98	6.73	2.02	6.57	2.06	6.40	2.06	6.24	2.06
		15	10	6.96	1.98	6.80	2.02	6.63	2.06	6.46	2.06	6.30	2.06
		20	15	6.83	1.77	6.66	1.81	6.50	1.85	6.34	1.88	6.18	1.92

● Indoor unit : 9000Btu + 12000Btu

			Indoor temperature										
			16°CDB		18°CDB		20°CDB		22°CDB		24°CDB		
9+12	Outdoor temperature	(°CDB)	(°CWB)	TC	IP	TC	IP	TC	IP	TC	IP	TC	IP
		-15	-16	3.96	1.94	3.87	1.98	3.77	2.02	3.68	2.06	3.58	2.06
		-10	-11	4.47	1.98	4.36	2.02	4.26	2.06	4.15	2.06	4.05	2.06
		-5	-7	5.02	1.98	4.90	2.02	4.79	2.06	4.67	2.06	4.55	2.06
		0	-2	5.75	1.82	5.61	1.86	5.48	2.03	5.34	1.94	5.20	1.97
		5	3	6.51	1.90	6.36	1.94	6.20	2.04	6.05	2.02	5.89	2.06
		7	6	6.93	1.98	6.77	2.02	6.60	2.06	6.44	2.06	6.27	2.06
		10	8	7.00	1.98	6.83	2.02	6.67	2.06	6.50	2.06	6.33	2.06
		15	10	7.07	1.96	6.90	2.00	6.73	2.04	6.56	2.06	6.40	2.06
		20	15	6.93	1.57	6.77	1.60	6.60	1.63	6.44	1.66	6.27	1.70

● Indoor unit : 9000Btu + 14000Btu

			Indoor temperature										
			16°CDB		18°CDB		20°CDB		22°CDB		24°CDB		
9+14	Outdoor temperature	(°CDB)	(°CWB)	TC	IP	TC	IP	TC	IP	TC	IP	TC	IP
		-15	-16	4.38	1.92	4.28	1.96	4.17	2.00	4.07	2.04	3.97	2.06
		-10	-11	4.97	1.98	4.85	2.02	4.73	2.06	4.61	2.06	4.49	2.06
		-5	-7	5.50	1.98	5.37	2.02	5.24	2.06	5.11	2.06	4.97	2.06
		0	-2	6.27	1.80	6.13	1.84	5.98	2.05	5.83	1.92	5.68	1.95
		5	3	7.11	1.88	6.94	1.92	6.77	2.04	6.60	2.00	6.43	2.04
		7	6	7.56	1.98	7.38	2.02	7.20	2.06	7.02	2.06	6.84	2.06
		10	8	7.64	1.98	7.45	2.02	7.27	2.06	7.09	2.06	6.91	2.06
		15	10	7.71	1.94	7.53	1.98	7.34	2.02	7.16	2.06	6.98	2.06
		20	15	7.56	1.55	7.38	1.58	7.20	1.62	7.02	1.65	6.84	1.68

● Indoor unit : 12000Btu + 12000Btu

			Indoor temperature										
			16°CDB		18°CDB		20°CDB		22°CDB		24°CDB		
12+12	Outdoor temperature	(°CDB)	(°CWB)	TC	IP	TC	IP	TC	IP	TC	IP	TC	IP
		-15	-16	3.81	1.93	3.72	1.97	3.63	2.01	3.54	2.05	3.45	2.06
		-10	-11	4.44	1.98	4.33	2.02	4.22	2.06	4.12	2.06	4.01	2.06
		-5	-7	5.02	1.98	4.90	2.02	4.79	2.06	4.67	2.06	4.55	2.06
		0	-2	5.75	1.81	5.61	1.85	5.48	2.04	5.34	1.93	5.20	1.96
		5	3	6.51	1.89	6.36	1.93	6.20	2.05	6.05	2.01	5.89	2.05
		7	6	6.93	1.98	6.77	2.02	6.60	2.06	6.44	2.06	6.27	2.06
		10	8	7.00	1.98	6.83	2.02	6.67	2.06	6.50	2.06	6.33	2.06
		15	10	7.07	1.95	6.90	1.99	6.73	2.03	6.56	2.06	6.40	2.06
		20	15	6.93	1.56	6.77	1.59	6.60	1.62	6.44	1.66	6.27	1.69

TC : Total Capacity (kW)
IP : Input Power (kW)

● Indoor unit : 12000Btu + 14000Btu

			Indoor temperature										
			16°CDB		18°CDB		20°CDB		22°CDB		24°CDB		
12+14	Outdoor temperature	(°CDB)	(°CWB)	TC	IP	TC	IP	TC	IP	TC	IP	TC	IP
		-15	-16	4.22	1.78	4.12	1.81	4.02	1.85	3.91	1.89	3.81	1.92
		-10	-11	4.91	1.85	4.79	1.89	4.67	1.93	4.56	1.97	4.44	2.01
		-5	-7	5.56	1.91	5.42	1.95	5.29	1.99	5.16	2.03	5.03	2.06
		0	-2	6.36	1.87	6.21	1.91	6.06	1.95	5.91	1.99	5.76	2.03
		5	3	7.21	1.93	7.03	1.97	6.86	2.01	6.69	2.06	6.52	2.06
		7	6	7.67	1.98	7.48	2.02	7.30	2.06	7.12	2.06	6.94	2.06
		10	8	7.74	1.93	7.56	1.97	7.37	2.01	7.19	2.06	7.00	2.06
		15	10	7.82	1.79	7.63	1.83	7.45	1.87	7.26	1.91	7.07	1.94
		20	15	7.67	1.54	7.48	1.58	7.30	1.61	7.12	1.64	6.94	1.67

● Indoor unit : 7000Btu + 7000Btu + 7000Btu

			Indoor temperature										
			16°CDB		18°CDB		20°CDB		22°CDB		24°CDB		
7+7+7	Outdoor temperature	(°CDB)	(°CWB)	TC	IP	TC	IP	TC	IP	TC	IP	TC	IP
		-15	-16	4.61	1.94	4.50	1.98	4.39	2.02	4.28	2.06	4.17	2.06
		-10	-11	5.34	1.98	5.21	2.02	5.08	2.06	4.95	2.06	4.83	2.06
		-5	-7	5.98	1.98	5.84	2.02	5.70	2.06	5.56	2.06	5.41	2.06
		0	-2	6.79	1.82	6.63	1.86	6.47	2.04	6.31	1.94	6.14	1.97
		5	3	7.60	1.90	7.42	1.94	7.24	2.05	7.06	2.02	6.88	2.06
		7	6	8.09	1.98	7.89	2.02	7.70	2.06	7.51	2.06	7.32	2.06
		10	8	8.41	1.98	8.21	2.02	8.01	2.06	7.81	2.06	7.61	2.06
		15	10	8.73	1.96	8.52	2.00	8.32	2.04	8.11	2.06	7.90	2.06
		20	15	9.06	1.57	8.84	1.60	8.62	1.63	8.41	1.66	8.19	1.70

● Indoor unit : 7000Btu + 7000Btu + 9000Btu

			Indoor temperature										
			16°CDB		18°CDB		20°CDB		22°CDB		24°CDB		
7+7+9	Outdoor temperature	(°CDB)	(°CWB)	TC	IP	TC	IP	TC	IP	TC	IP	TC	IP
		-15	-16	4.67	1.93	4.56	1.97	4.45	2.01	4.33	2.05	4.22	2.06
		-10	-11	5.41	1.98	5.28	2.02	5.15	2.06	5.02	2.06	4.89	2.06
		-5	-7	6.06	1.98	5.92	2.02	5.77	2.06	5.63	2.06	5.48	2.06
		0	-2	6.88	1.81	6.72	1.85	6.55	2.04	6.39	1.93	6.22	1.96
		5	3	7.70	1.89	7.52	1.93	7.33	2.05	7.15	2.01	6.97	2.05
		7	6	8.19	1.98	8.00	2.02	7.80	2.06	7.61	2.06	7.41	2.06
		10	8	8.52	1.98	8.31	2.02	8.11	2.06	7.91	2.06	7.71	2.06
		15	10	8.85	1.95	8.63	1.99	8.42	2.03	8.21	2.06	8.00	2.06
		20	15	9.17	1.56	8.95	1.59	8.74	1.62	8.52	1.66	8.30	1.69

● Indoor unit : 7000Btu + 7000Btu + 12000Btu

			Indoor temperature										
			16°CDB		18°CDB		20°CDB		22°CDB		24°CDB		
7+7+12	Outdoor temperature	(°CDB)	(°CWB)	TC	IP	TC	IP	TC	IP	TC	IP	TC	IP
		-15	-16	4.67	1.81	4.56	1.85	4.45	1.89	4.33	1.92	4.22	1.96
		-10	-11	5.41	1.89	5.28	1.93	5.15	1.97	5.02	2.01	4.89	2.05
		-5	-7	6.06	1.95	5.92	1.99	5.77	2.03	5.63	2.06	5.48	2.06
		0	-2	6.88	1.91	6.72	1.95	6.55	1.99	6.39	2.03	6.22	2.06
		5	3	7.70	1.97	7.52	2.01	7.33	2.05	7.15	2.06	6.97	2.06
		7	6	8.19	1.98	8.00	2.02	7.80	2.06	7.61	2.06	7.41	2.06
		10	8	8.52	1.97	8.31	2.01	8.11	2.05	7.91	2.06	7.71	2.06
		15	10	8.85	1.83	8.63	1.87	8.42	1.91	8.21	1.94	8.00	1.98
		20	15	9.17	1.57	8.95	1.61	8.74	1.64	8.52	1.67	8.30	1.71

TC : Total Capacity (kW)
IP : Input Power (kW)

● Indoor unit : 7000Btu + 7000Btu + 14000Btu

			Indoor temperature										
			16°CDB		18°CDB		20°CDB		22°CDB		24°CDB		
7+7+14	Outdoor temperature	(°CDB)	(°CWB)	TC	IP	TC	IP	TC	IP	TC	IP	TC	IP
		-15	-16	4.79	1.82	4.67	1.86	4.56	1.90	4.45	1.93	4.33	1.97
		-10	-11	5.54	1.90	5.41	1.94	5.28	1.98	5.15	2.02	5.02	2.06
		-5	-7	6.22	1.96	6.07	2.00	5.92	2.04	5.77	2.06	5.62	2.06
		0	-2	7.06	1.92	6.89	1.96	6.72	2.00	6.55	2.04	6.38	2.06
		5	3	7.90	1.98	7.71	2.02	7.52	2.06	7.33	2.06	7.14	2.06
		7	6	8.40	1.98	8.20	2.02	8.00	2.06	7.80	2.06	7.60	2.06
		10	8	8.74	1.98	8.53	2.02	8.32	2.06	8.11	2.06	7.90	2.06
		15	10	9.07	1.84	8.86	1.88	8.64	1.92	8.42	1.95	8.21	1.99
		20	15	9.41	1.58	9.18	1.62	8.96	1.65	8.74	1.68	8.51	1.71

● Indoor unit : 7000Btu + 9000Btu + 9000Btu

			Indoor temperature										
			16°CDB		18°CDB		20°CDB		22°CDB		24°CDB		
7+9+9	Outdoor temperature	(°CDB)	(°CWB)	TC	IP	TC	IP	TC	IP	TC	IP	TC	IP
		-15	-16	4.67	1.81	4.56	1.85	4.45	1.89	4.33	1.92	4.22	1.96
		-10	-11	5.41	1.89	5.28	1.93	5.15	1.97	5.02	2.01	4.89	2.05
		-5	-7	6.06	1.95	5.92	1.99	5.77	2.03	5.63	2.06	5.48	2.06
		0	-2	6.88	1.91	6.72	1.95	6.55	1.99	6.39	2.03	6.22	2.06
		5	3	7.70	1.97	7.52	2.01	7.33	2.05	7.15	2.06	6.97	2.06
		7	6	8.19	1.98	8.00	2.02	7.80	2.06	7.61	2.06	7.41	2.06
		10	8	8.52	1.97	8.31	2.01	8.11	2.05	7.91	2.06	7.71	2.06
		15	10	8.85	1.83	8.63	1.87	8.42	1.91	8.21	1.94	8.00	1.98
		20	15	9.17	1.57	8.95	1.61	8.74	1.64	8.52	1.67	8.30	1.71

● Indoor unit : 7000Btu + 9000Btu + 12000Btu

			Indoor temperature										
			16°CDB		18°CDB		20°CDB		22°CDB		24°CDB		
7+9+12	Outdoor temperature	(°CDB)	(°CWB)	TC	IP	TC	IP	TC	IP	TC	IP	TC	IP
		-15	-16	4.73	1.80	4.62	1.84	4.50	1.88	4.39	1.91	4.28	1.95
		-10	-11	5.47	1.88	5.34	1.92	5.21	1.96	5.08	2.00	4.95	2.04
		-5	-7	6.14	1.94	5.99	1.98	5.85	2.02	5.70	2.06	5.55	2.06
		0	-2	6.97	1.90	6.80	1.94	6.64	1.98	6.47	2.02	6.30	2.06
		5	3	7.80	1.96	7.61	2.00	7.43	2.04	7.24	2.06	7.05	2.06
		7	6	8.30	1.98	8.10	2.02	7.90	2.06	7.70	2.06	7.51	2.06
		10	8	8.63	1.96	8.42	2.00	8.22	2.04	8.01	2.06	7.81	2.06
		15	10	8.96	1.82	8.75	1.86	8.53	1.90	8.32	1.94	8.11	1.97
		20	15	9.29	1.57	9.07	1.60	8.85	1.63	8.63	1.66	8.41	1.70

● Indoor unit : 7000Btu + 9000Btu + 14000Btu

			Indoor temperature										
			16°CDB		18°CDB		20°CDB		22°CDB		24°CDB		
7+9+14	Outdoor temperature	(°CDB)	(°CWB)	TC	IP	TC	IP	TC	IP	TC	IP	TC	IP
		-15	-16	4.79	1.81	4.67	1.85	4.56	1.89	4.45	1.92	4.33	1.96
		-10	-11	5.54	1.89	5.41	1.93	5.28	1.97	5.15	2.01	5.02	2.05
		-5	-7	6.22	1.95	6.07	1.99	5.92	2.03	5.77	2.06	5.62	2.06
		0	-2	7.06	1.91	6.89	1.95	6.72	1.99	6.55	2.03	6.38	2.06
		5	3	7.90	1.97	7.71	2.01	7.52	2.05	7.33	2.06	7.14	2.06
		7	6	8.40	1.98	8.20	2.02	8.00	2.06	7.80	2.06	7.60	2.06
		10	8	8.74	1.97	8.53	2.01	8.32	2.05	8.11	2.06	7.90	2.06
		15	10	9.07	1.83	8.86	1.87	8.64	1.91	8.42	1.94	8.21	1.98
		20	15	9.41	1.57	9.18	1.61	8.96	1.64	8.74	1.67	8.51	1.71

TC : Total Capacity (kW)
IP : Input Power (kW)

● Indoor unit : 9000Btu + 9000Btu + 9000Btu

			Indoor temperature										
			16°CDB		18°CDB		20°CDB		22°CDB		24°CDB		
9+9+9	Outdoor temperature	(°CDB)	(°CWB)	TC	IP	TC	IP	TC	IP	TC	IP	TC	IP
		-15	-16	4.73	1.80	4.62	1.84	4.50	1.88	4.39	1.91	4.28	1.95
		-10	-11	5.47	1.88	5.34	1.92	5.21	1.96	5.08	2.00	4.95	2.04
		-5	-7	6.14	1.94	5.99	1.98	5.85	2.02	5.70	2.06	5.55	2.06
		0	-2	6.97	1.90	6.80	1.94	6.64	1.98	6.47	2.02	6.30	2.06
		5	3	7.80	1.96	7.61	2.00	7.43	2.04	7.24	2.06	7.05	2.06
		7	6	8.30	1.98	8.10	2.02	7.90	2.06	7.70	2.06	7.51	2.06
		10	8	8.63	1.96	8.42	2.00	8.22	2.04	8.01	2.06	7.81	2.06
		15	10	8.96	1.82	8.75	1.86	8.53	1.90	8.32	1.94	8.11	1.97
		20	15	9.29	1.57	9.07	1.60	8.85	1.63	8.63	1.66	8.41	1.70

● Indoor unit : 9000Btu + 9000Btu + 12000Btu

			Indoor temperature										
			16°CDB		18°CDB		20°CDB		22°CDB		24°CDB		
9+9+12	Outdoor temperature	(°CDB)	(°CWB)	TC	IP	TC	IP	TC	IP	TC	IP	TC	IP
		-15	-16	4.73	1.79	4.62	1.83	4.50	1.87	4.39	1.90	4.28	1.94
		-10	-11	5.47	1.87	5.34	1.91	5.21	1.95	5.08	1.99	4.95	2.03
		-5	-7	6.14	1.93	5.99	1.97	5.85	2.01	5.70	2.05	5.55	2.06
		0	-2	6.97	1.89	6.80	1.93	6.64	1.97	6.47	2.01	6.30	2.05
		5	3	7.80	1.95	7.61	1.99	7.43	2.03	7.24	2.06	7.05	2.06
		7	6	8.30	1.98	8.10	2.02	7.90	2.06	7.70	2.06	7.51	2.06
		10	8	8.63	1.95	8.42	1.99	8.22	2.03	8.01	2.06	7.81	2.06
		15	10	8.96	1.81	8.75	1.85	8.53	1.89	8.32	1.93	8.11	1.96
		20	15	9.29	1.56	9.07	1.59	8.85	1.62	8.63	1.66	8.41	1.69

TC : Total Capacity (kW)
IP : Input Power (kW)

Note: 2 or more indoor units should be connected.

■ MODEL: AO*G24L3

● Indoor unit : 7000Btu

			Indoor temperature										
			16°CDB		18°CDB		20°CDB		22°CDB		24°CDB		
7	Outdoor temperature	(°CDB)	(°CWB)	TC	IP	TC	IP	TC	IP	TC	IP	TC	IP
		-15	-16	2.32	1.06	2.27	1.09	2.21	1.11	2.16	1.13	2.10	1.15
		-10	-11	2.65	1.14	2.59	1.16	2.52	1.19	2.46	1.21	2.40	1.23
		-5	-7	2.77	1.09	2.70	1.11	2.64	1.13	2.57	1.16	2.50	1.18
		0	-2	2.89	1.03	2.82	1.05	2.75	1.08	2.68	1.10	2.61	1.12
		5	3	3.26	0.96	3.18	0.98	3.10	1.00	3.02	1.02	2.95	1.04
		7	6	3.47	0.96	3.38	0.98	3.30	1.00	3.22	1.02	3.14	1.04
		10	8	3.50	1.01	3.42	1.03	3.33	1.05	3.25	1.07	3.17	1.09
		15	10	3.53	0.97	3.45	0.99	3.37	1.01	3.28	1.03	3.20	1.05
		20	15	3.47	0.76	3.38	0.78	3.30	0.79	3.22	0.81	3.14	0.83

● Indoor unit : 9000Btu

			Indoor temperature										
			16°CDB		18°CDB		20°CDB		22°CDB		24°CDB		
9	Outdoor temperature	(°CDB)	(°CWB)	TC	IP	TC	IP	TC	IP	TC	IP	TC	IP
		-15	-16	2.88	1.29	2.81	1.32	2.74	1.34	2.68	1.37	2.61	1.40
		-10	-11	3.28	1.39	3.20	1.42	3.12	1.44	3.04	1.47	2.97	1.50
		-5	-7	3.46	1.34	3.38	1.37	3.29	1.40	3.21	1.43	3.13	1.46
		0	-2	3.66	1.30	3.57	1.33	3.49	1.35	3.40	1.38	3.31	1.41
		5	3	4.15	1.25	4.05	1.27	3.95	1.30	3.85	1.33	3.75	1.35
		7	6	4.41	1.25	4.31	1.27	4.20	1.30	4.10	1.33	3.99	1.35
		10	8	4.45	1.27	4.35	1.30	4.24	1.33	4.14	1.35	4.03	1.38
		15	10	4.50	1.27	4.39	1.30	4.28	1.32	4.18	1.35	4.07	1.38
		20	15	4.41	0.96	4.31	0.98	4.20	1.00	4.10	1.02	3.99	1.04

● Indoor unit : 12000Btu

			Indoor temperature										
			16°CDB		18°CDB		20°CDB		22°CDB		24°CDB		
12	Outdoor temperature	(°CDB)	(°CWB)	TC	IP	TC	IP	TC	IP	TC	IP	TC	IP
		-15	-16	3.48	1.67	3.39	1.70	3.31	1.74	3.23	1.77	3.15	1.80
		-10	-11	3.75	1.78	3.66	1.82	3.57	1.86	3.48	1.89	3.39	1.93
		-5	-7	3.95	1.75	3.86	1.78	3.76	1.82	3.67	1.86	3.57	1.89
		0	-2	4.18	1.66	4.08	1.70	3.98	1.73	3.88	1.77	3.78	1.80
		5	3	4.74	1.56	4.62	1.59	4.51	1.62	4.40	1.65	4.29	1.68
		7	6	5.04	1.56	4.92	1.59	4.80	1.62	4.68	1.65	4.56	1.68
		10	8	5.09	1.59	4.97	1.62	4.85	1.65	4.73	1.69	4.61	1.72
		15	10	5.14	1.59	5.02	1.63	4.90	1.66	4.77	1.69	4.65	1.73
		20	15	5.04	1.35	4.92	1.38	4.80	1.41	4.68	1.43	4.56	1.46

● Indoor unit : 14000Btu

			Indoor temperature										
			16°CDB		18°CDB		20°CDB		22°CDB		24°CDB		
14	Outdoor temperature	(°CDB)	(°CWB)	TC	IP	TC	IP	TC	IP	TC	IP	TC	IP
		-15	-16	3.95	1.71	3.85	1.75	3.76	1.78	3.67	1.82	3.57	1.86
		-10	-11	4.50	1.83	4.39	1.87	4.29	1.91	4.18	1.95	4.07	1.98
		-5	-7	4.78	1.80	4.67	1.84	4.55	1.88	4.44	1.92	4.33	1.95
		0	-2	5.09	1.74	4.97	1.77	4.85	1.81	4.73	1.85	4.61	1.88
		5	3	5.72	1.63	5.59	1.67	5.45	1.70	5.32	1.73	5.18	1.77
		7	6	6.09	1.63	5.95	1.67	5.80	1.70	5.66	1.73	5.51	1.77
		10	8	6.15	1.67	6.00	1.70	5.86	1.74	5.71	1.77	5.57	1.81
		15	10	6.40	1.75	6.24	1.79	6.09	1.83	5.94	1.86	5.79	1.90
		20	15	6.09	1.36	5.95	1.39	5.80	1.42	5.66	1.45	5.51	1.48

TC : Total Capacity (kW)
IP : Input Power (kW)

OUTDOOR UNIT
AO*G18-24L3

OUTDOOR UNIT
AO*G18-24L3

Note: 2 or more indoor units should be connected.

● Indoor unit : 18000Btu

			Indoor temperature										
			16°CDB		18°CDB		20°CDB		22°CDB		24°CDB		
18	Outdoor temperature	(°CDB)	(°CWB)	TC	IP	TC	IP	TC	IP	TC	IP	TC	IP
		-15	-16	4.68	2.30	4.57	2.35	4.46	2.40	4.35	2.45	4.24	2.50
		-10	-11	5.32	2.39	5.20	2.44	5.07	2.49	4.94	2.54	4.82	2.59
		-5	-7	5.70	2.47	5.56	2.52	5.43	2.57	5.29	2.62	5.16	2.68
		0	-2	6.19	2.33	6.04	2.38	5.89	2.42	5.75	2.47	5.60	2.52
		5	3	7.01	2.30	6.84	2.35	6.67	2.40	6.51	2.45	6.34	2.50
		7	6	7.46	2.30	7.28	2.35	7.10	2.40	6.92	2.45	6.75	2.50
		10	8	7.53	2.36	7.35	2.41	7.17	2.46	6.99	2.51	6.81	2.56
		15	10	7.60	2.30	7.42	2.35	7.24	2.40	7.06	2.45	6.88	2.50
		20	15	7.46	1.93	7.28	1.97	7.10	2.01	6.92	2.05	6.75	2.09

● Indoor unit : 7000Btu + 7000Btu

			Indoor temperature										
			16°CDB		18°CDB		20°CDB		22°CDB		24°CDB		
7+7	Outdoor temperature	(°CDB)	(°CWB)	TC	IP	TC	IP	TC	IP	TC	IP	TC	IP
		-15	-16	3.85	1.83	3.76	1.87	3.66	1.91	3.57	1.95	3.48	1.99
		-10	-11	4.55	1.95	4.45	1.99	4.34	2.03	4.23	2.07	4.12	2.11
		-5	-7	5.00	1.91	4.88	1.95	4.76	1.99	4.65	2.03	4.53	2.07
		0	-2	5.54	1.72	5.41	1.76	5.28	1.89	5.15	1.83	5.01	1.87
		5	3	6.02	1.80	5.88	1.83	5.73	1.91	5.59	1.91	5.45	1.95
		7	6	6.41	1.85	6.25	1.89	6.10	1.93	5.95	1.97	5.80	2.01
		10	8	6.76	1.89	6.60	1.93	6.44	1.97	6.27	2.01	6.11	2.05
		15	10	7.44	1.91	7.26	1.95	7.09	1.99	6.91	2.03	6.73	2.07
		20	15	6.77	1.67	6.61	1.70	6.45	1.74	6.29	1.77	6.12	1.81

● Indoor unit : 7000Btu + 9000Btu

			Indoor temperature										
			16°CDB		18°CDB		20°CDB		22°CDB		24°CDB		
7+9	Outdoor temperature	(°CDB)	(°CWB)	TC	IP	TC	IP	TC	IP	TC	IP	TC	IP
		-15	-16	4.31	2.36	4.21	2.41	4.10	2.46	4.00	2.50	3.90	2.55
		-10	-11	5.09	2.50	4.97	2.55	4.85	2.60	4.72	2.66	4.60	2.71
		-5	-7	5.59	2.45	5.46	2.50	5.33	2.55	5.19	2.61	5.06	2.66
		0	-2	6.25	2.21	6.11	2.26	5.96	2.50	5.81	2.35	5.66	2.40
		5	3	6.91	2.31	6.74	2.36	6.58	2.48	6.42	2.45	6.25	2.50
		7	6	7.35	2.42	7.18	2.47	7.00	2.52	6.83	2.57	6.65	2.62
		10	8	7.73	2.23	7.55	2.27	7.36	2.40	7.18	2.32	7.00	2.32
		15	10	7.78	2.23	7.60	2.27	7.41	2.32	7.23	2.32	7.04	2.32
		20	15	7.18	1.87	7.01	1.91	6.84	1.95	6.67	1.95	6.50	1.95

● Indoor unit : 7000Btu + 12000Btu

			Indoor temperature										
			16°CDB		18°CDB		20°CDB		22°CDB		24°CDB		
7+12	Outdoor temperature	(°CDB)	(°CWB)	TC	IP	TC	IP	TC	IP	TC	IP	TC	IP
		-15	-16	4.58	2.46	4.47	2.51	4.36	2.56	4.25	2.62	4.14	2.67
		-10	-11	5.33	2.61	5.20	2.67	5.08	2.72	4.95	2.78	4.82	2.78
		-5	-7	5.90	2.56	5.76	2.61	5.62	2.67	5.48	2.72	5.34	2.78
		0	-2	6.64	2.31	6.48	2.36	6.32	2.61	6.16	2.46	6.00	2.51
		5	3	7.21	2.41	7.03	2.46	6.86	2.64	6.69	2.56	6.52	2.61
		7	6	7.67	2.55	7.48	2.61	7.30	2.66	7.12	2.71	6.94	2.77
		10	8	8.04	2.23	7.85	2.27	7.66	2.53	7.47	2.32	7.28	2.32
		15	10	8.06	2.23	7.87	2.27	7.68	2.32	7.49	2.32	7.30	2.32
		20	15	7.84	1.87	7.66	1.91	7.47	1.95	7.28	1.95	7.10	1.95

TC : Total Capacity (kW)
IP : Input Power (kW)

OUTDOOR UNIT
AO*G18-24L3

OUTDOOR UNIT
AO*G18-24L3

● Indoor unit : 7000Btu + 14000Btu

			Indoor temperature										
			16°CDB		18°CDB		20°CDB		22°CDB		24°CDB		
7+14	Outdoor temperature	(°CDB)	(°CWB)	TC	IP	TC	IP	TC	IP	TC	IP	TC	IP
		-15	-16	4.90	2.67	4.78	2.72	4.66	2.78	4.55	2.78	4.43	2.78
		-10	-11	5.75	2.67	5.61	2.72	5.47	2.78	5.34	2.78	5.20	2.78
		-5	-7	6.51	2.67	6.35	2.72	6.20	2.78	6.04	2.78	5.89	2.78
		0	-2	7.31	2.49	7.14	2.54	6.97	2.80	6.79	2.65	6.62	2.70
		5	3	8.19	2.60	8.00	2.65	7.80	2.82	7.61	2.78	7.41	2.78
		7	6	8.72	2.76	8.51	2.87	8.30	2.87	8.09	2.87	7.89	2.87
		10	8	9.04	2.23	8.83	2.27	8.61	2.60	8.40	2.32	8.18	2.32
		15	10	8.96	2.23	8.75	2.27	8.53	2.32	8.32	2.32	8.11	2.32
		20	15	8.52	1.87	8.32	1.91	8.12	1.95	7.91	1.95	7.71	1.95

● Indoor unit : 7000Btu + 18000Btu

			Indoor temperature										
			16°CDB		18°CDB		20°CDB		22°CDB		24°CDB		
7+18	Outdoor temperature	(°CDB)	(°CWB)	TC	IP	TC	IP	TC	IP	TC	IP	TC	IP
		-15	-16	4.94	2.47	4.82	2.52	4.70	2.58	4.58	2.63	4.47	2.68
		-10	-11	5.79	2.58	5.65	2.63	5.51	2.69	5.38	2.74	5.24	2.78
		-5	-7	6.54	2.67	6.38	2.72	6.23	2.78	6.07	2.78	5.91	2.78
		0	-2	7.38	2.61	7.21	2.66	7.03	2.80	6.86	2.78	6.68	2.78
		5	3	8.23	2.67	8.03	2.72	7.84	2.82	7.64	2.78	7.44	2.78
		7	6	8.72	2.76	8.51	2.87	8.30	2.87	8.09	2.87	7.89	2.87
		10	8	9.03	2.23	8.81	2.27	8.60	2.60	8.38	2.32	8.17	2.32
		15	10	8.98	2.23	8.77	2.27	8.56	2.32	8.34	2.32	8.13	2.32
		20	15	8.72	1.87	8.51	1.91	8.30	1.95	8.09	1.95	7.89	1.95

● Indoor unit : 9000Btu + 9000Btu

			Indoor temperature										
			16°CDB		18°CDB		20°CDB		22°CDB		24°CDB		
9+9	Outdoor temperature	(°CDB)	(°CWB)	TC	IP	TC	IP	TC	IP	TC	IP	TC	IP
		-15	-16	4.55	2.49	4.44	2.54	4.34	2.59	4.23	2.65	4.12	2.70
		-10	-11	5.35	2.64	5.22	2.70	5.10	2.75	4.97	2.78	4.84	2.78
		-5	-7	5.89	2.59	5.75	2.64	5.61	2.70	5.47	2.75	5.33	2.78
		0	-2	6.60	2.34	6.44	2.39	6.28	2.67	6.12	2.49	5.97	2.53
		5	3	7.30	2.44	7.13	2.49	6.96	2.63	6.78	2.59	6.61	2.64
		7	6	7.77	2.57	7.59	2.63	7.40	2.68	7.22	2.73	7.03	2.79
		10	8	8.17	2.23	7.97	2.27	7.78	2.48	7.59	2.32	7.39	2.32
		15	10	8.26	2.23	8.06	2.27	7.87	2.32	7.67	2.32	7.47	2.32
		20	15	7.33	1.87	7.15	1.91	6.98	1.95	6.81	1.95	6.63	1.95

● Indoor unit : 9000Btu + 12000Btu

			Indoor temperature										
			16°CDB		18°CDB		20°CDB		22°CDB		24°CDB		
9+12	Outdoor temperature	(°CDB)	(°CWB)	TC	IP	TC	IP	TC	IP	TC	IP	TC	IP
		-15	-16	4.62	2.63	4.51	2.69	4.40	2.74	4.29	2.78	4.18	2.78
		-10	-11	5.44	2.67	5.31	2.72	5.18	2.78	5.05	2.78	4.92	2.78
		-5	-7	6.02	2.67	5.88	2.72	5.74	2.78	5.59	2.78	5.45	2.78
		0	-2	6.79	2.47	6.63	2.52	6.47	2.76	6.30	2.63	6.14	2.68
		5	3	7.60	2.58	7.42	2.63	7.24	2.78	7.06	2.74	6.88	2.78
		7	6	8.09	2.76	7.89	2.87	7.70	2.87	7.51	2.87	7.32	2.87
		10	8	8.39	2.23	8.19	2.27	7.99	2.56	7.79	2.32	7.59	2.32
		15	10	8.44	2.23	8.24	2.27	8.04	2.32	7.84	2.32	7.64	2.32
		20	15	7.39	1.87	7.21	1.91	7.03	1.95	6.86	1.95	6.68	1.95

TC : Total Capacity (kW)
IP : Input Power (kW)

● Indoor unit : 9000Btu + 14000Btu

			Indoor temperature										
			16°CDB		18°CDB		20°CDB		22°CDB		24°CDB		
9+14	Outdoor temperature	(°CDB)	(°CWB)	TC	IP	TC	IP	TC	IP	TC	IP	TC	IP
		-15	-16	4.91	2.63	4.79	2.69	4.67	2.74	4.56	2.78	4.44	2.78
		-10	-11	5.76	2.67	5.63	2.72	5.49	2.78	5.35	2.78	5.21	2.78
		-5	-7	6.53	2.67	6.37	2.72	6.22	2.78	6.06	2.78	5.91	2.78
		0	-2	7.35	2.47	7.18	2.52	7.00	2.77	6.83	2.63	6.65	2.68
		5	3	8.22	2.58	8.02	2.63	7.83	2.80	7.63	2.74	7.43	2.78
		7	6	8.72	2.76	8.51	2.87	8.30	2.87	8.09	2.87	7.89	2.87
		10	8	9.09	2.23	8.87	2.27	8.66	2.68	8.44	2.32	8.22	2.32
		15	10	9.05	2.23	8.84	2.27	8.62	2.32	8.40	2.32	8.19	2.32
		20	15	8.77	1.87	8.56	1.91	8.35	1.95	8.14	1.95	7.94	1.95

● Indoor unit : 9000Btu + 18000Btu

			Indoor temperature										
			16°CDB		18°CDB		20°CDB		22°CDB		24°CDB		
9+18	Outdoor temperature	(°CDB)	(°CWB)	TC	IP	TC	IP	TC	IP	TC	IP	TC	IP
		-15	-16	4.99	2.46	4.88	2.52	4.76	2.57	4.64	2.62	4.52	2.67
		-10	-11	5.86	2.57	5.72	2.62	5.58	2.68	5.45	2.73	5.31	2.78
		-5	-7	6.63	2.67	6.47	2.72	6.31	2.78	6.15	2.78	6.00	2.78
		0	-2	7.54	2.60	7.36	2.65	7.18	2.80	7.00	2.78	6.82	2.78
		5	3	8.39	2.67	8.19	2.72	7.99	2.82	7.79	2.78	7.59	2.78
		7	6	8.93	2.76	8.71	2.87	8.50	2.87	8.29	2.87	8.08	2.87
		10	8	9.25	2.23	9.03	2.27	8.81	2.68	8.59	2.32	8.37	2.32
		15	10	9.16	2.23	8.94	2.27	8.73	2.32	8.51	2.32	8.29	2.32
		20	15	8.93	1.87	8.72	1.91	8.51	1.95	8.29	1.95	8.08	1.95

● Indoor unit : 12000Btu + 12000Btu

			Indoor temperature										
			16°CDB		18°CDB		20°CDB		22°CDB		24°CDB		
12+12	Outdoor temperature	(°CDB)	(°CWB)	TC	IP	TC	IP	TC	IP	TC	IP	TC	IP
		-15	-16	4.66	2.67	4.55	2.72	4.44	2.78	4.33	2.78	4.22	2.78
		-10	-11	5.49	2.67	5.36	2.72	5.23	2.78	5.09	2.78	4.96	2.78
		-5	-7	6.08	2.67	5.94	2.72	5.79	2.78	5.65	2.78	5.50	2.78
		0	-2	6.86	2.49	6.70	2.54	6.53	2.80	6.37	2.65	6.21	2.70
		5	3	7.70	2.60	7.52	2.65	7.34	2.84	7.15	2.78	6.97	2.78
		7	6	8.19	2.76	8.00	2.87	7.80	2.87	7.61	2.87	7.41	2.87
		10	8	8.55	2.23	8.35	2.27	8.15	2.61	7.94	2.32	7.74	2.32
		15	10	8.56	2.23	8.35	2.27	8.15	2.32	7.94	2.32	7.74	2.32
		20	15	8.25	1.87	8.05	1.91	7.85	1.95	7.66	1.95	7.46	1.95

● Indoor unit : 12000Btu + 14000Btu

			Indoor temperature										
			16°CDB		18°CDB		20°CDB		22°CDB		24°CDB		
12+14	Outdoor temperature	(°CDB)	(°CWB)	TC	IP	TC	IP	TC	IP	TC	IP	TC	IP
		-15	-16	4.91	2.47	4.80	2.52	4.68	2.58	4.56	2.63	4.45	2.68
		-10	-11	5.78	2.58	5.64	2.63	5.50	2.69	5.37	2.74	5.23	2.78
		-5	-7	6.55	2.67	6.39	2.72	6.24	2.78	6.08	2.78	5.93	2.78
		0	-2	7.43	2.61	7.25	2.66	7.08	2.79	6.90	2.78	6.72	2.78
		5	3	8.29	2.67	8.09	2.72	7.90	2.80	7.70	2.78	7.50	2.78
		7	6	8.82	2.76	8.61	2.87	8.40	2.87	8.19	2.87	7.98	2.87
		10	8	9.15	2.23	8.93	2.27	8.71	2.55	8.49	2.32	8.28	2.32
		15	10	9.12	2.23	8.90	2.27	8.69	2.32	8.47	2.32	8.25	2.32
		20	15	8.83	1.87	8.62	1.91	8.41	1.95	8.20	1.95	7.99	1.95

TC : Total Capacity (kW)
IP : Input Power (kW)

● Indoor unit : 12000Btu + 18000Btu

			Indoor temperature										
			16°CDB		18°CDB		20°CDB		22°CDB		24°CDB		
12+18	Outdoor temperature	(°CDB)	(°CWB)	TC	IP	TC	IP	TC	IP	TC	IP	TC	IP
		-15	-16	5.03	2.45	4.91	2.50	4.79	2.55	4.67	2.60	4.55	2.65
		-10	-11	5.91	2.55	5.77	2.61	5.63	2.66	5.49	2.71	5.35	2.78
		-5	-7	6.68	2.63	6.52	2.69	6.37	2.74	6.21	2.78	6.05	2.78
		0	-2	7.61	2.58	7.43	2.63	7.25	2.76	7.07	2.74	6.89	2.78
		5	3	8.49	2.67	8.29	2.72	8.08	2.78	7.88	2.78	7.68	2.78
		7	6	9.03	2.76	8.82	2.87	8.60	2.87	8.39	2.87	8.17	2.87
		10	8	9.41	2.23	9.19	2.27	8.96	2.67	8.74	2.32	8.51	2.32
		15	10	9.31	2.23	9.09	2.27	8.86	2.32	8.64	2.32	8.42	2.32
		20	15	9.06	1.87	8.85	1.91	8.63	1.95	8.42	1.95	8.20	1.95

● Indoor unit : 7000Btu + 7000Btu + 7000Btu

			Indoor temperature										
			16°CDB		18°CDB		20°CDB		22°CDB		24°CDB		
7+7+7	Outdoor temperature	(°CDB)	(°CWB)	TC	IP	TC	IP	TC	IP	TC	IP	TC	IP
		-15	-16	4.97	2.32	4.85	2.37	4.73	2.42	4.61	2.46	4.49	2.51
		-10	-11	5.78	2.42	5.64	2.47	5.50	2.52	5.37	2.57	5.23	2.63
		-5	-7	6.55	2.53	6.39	2.58	6.24	2.63	6.08	2.68	5.92	2.74
		0	-2	7.49	2.68	7.32	2.74	7.14	2.79	6.96	2.87	6.78	2.87
		5	3	8.49	2.57	8.29	2.63	8.08	2.68	7.88	2.73	7.68	2.79
		7	6	9.03	2.57	8.82	2.63	8.60	2.68	8.39	2.73	8.17	2.79
		10	8	9.39	2.62	9.17	2.68	8.94	2.73	8.72	2.79	8.50	2.87
		15	10	9.84	2.62	9.61	2.68	9.37	2.73	9.14	2.79	8.91	2.87
		20	15	9.03	2.03	8.82	2.07	8.60	2.12	8.39	2.16	8.17	2.20

● Indoor unit : 7000Btu + 7000Btu + 9000Btu

			Indoor temperature										
			16°CDB		18°CDB		20°CDB		22°CDB		24°CDB		
7+7+9	Outdoor temperature	(°CDB)	(°CWB)	TC	IP	TC	IP	TC	IP	TC	IP	TC	IP
		-15	-16	5.08	2.34	4.96	2.39	4.84	2.44	4.72	2.49	4.60	2.54
		-10	-11	5.91	2.46	5.77	2.52	5.63	2.57	5.49	2.62	5.35	2.67
		-5	-7	6.70	2.55	6.54	2.61	6.38	2.66	6.22	2.71	6.06	2.77
		0	-2	7.67	2.76	7.49	2.87	7.30	2.87	7.12	2.87	6.94	2.87
		5	3	8.69	2.76	8.48	2.87	8.27	2.87	8.07	2.87	7.86	2.87
		7	6	9.24	2.76	9.02	2.87	8.80	2.87	8.58	2.87	8.36	2.87
		10	8	9.61	2.76	9.38	2.87	9.15	2.87	8.92	2.87	8.69	2.87
		15	10	10.07	2.67	9.83	2.73	9.59	2.78	9.35	2.87	9.11	2.87
		20	15	9.24	2.04	9.02	2.08	8.80	2.12	8.58	2.17	8.36	2.21

● Indoor unit : 7000Btu + 7000Btu + 12000Btu

			Indoor temperature										
			16°CDB		18°CDB		20°CDB		22°CDB		24°CDB		
7+7+12	Outdoor temperature	(°CDB)	(°CWB)	TC	IP	TC	IP	TC	IP	TC	IP	TC	IP
		-15	-16	5.14	2.29	5.02	2.33	4.90	2.38	4.77	2.43	4.65	2.48
		-10	-11	5.98	2.40	5.84	2.45	5.70	2.50	5.55	2.55	5.41	2.60
		-5	-7	6.78	2.49	6.61	2.54	6.45	2.60	6.29	2.65	6.13	2.70
		0	-2	7.76	2.69	7.57	2.74	7.39	2.80	7.20	2.87	7.02	2.87
		5	3	8.78	2.69	8.58	2.74	8.37	2.80	8.16	2.87	7.95	2.87
		7	6	9.35	2.69	9.12	2.74	8.90	2.80	8.68	2.87	8.46	2.87
		10	8	9.72	2.69	9.49	2.74	9.26	2.80	9.02	2.87	8.79	2.87
		15	10	10.19	2.61	9.94	2.66	9.70	2.72	9.46	2.77	9.22	2.87
		20	15	9.35	1.99	9.12	2.03	8.90	2.07	8.68	2.11	8.46	2.15

TC : Total Capacity (kW)
IP : Input Power (kW)

● Indoor unit : 7000Btu + 7000Btu + 14000Btu

			Indoor temperature										
			16°CDB		18°CDB		20°CDB		22°CDB		24°CDB		
			(°CDB)	(°CWB)	TC	IP	TC	IP	TC	IP	TC	IP	
7+7+14	Outdoor temperature	-15	-16	5.31	2.22	5.19	2.27	5.06	2.31	4.93	2.36	4.81	2.41
		-10	-11	6.18	2.34	6.04	2.38	5.89	2.43	5.74	2.48	5.59	2.53
		-5	-7	7.00	2.42	6.84	2.47	6.67	2.52	6.50	2.57	6.34	2.62
		0	-2	8.02	2.61	7.83	2.67	7.64	2.72	7.45	2.77	7.25	2.87
		5	3	9.08	2.61	8.86	2.67	8.65	2.72	8.43	2.77	8.22	2.87
		7	6	9.66	2.61	9.43	2.67	9.20	2.72	8.97	2.77	8.74	2.87
		10	8	10.05	2.61	9.81	2.67	9.57	2.72	9.33	2.77	9.09	2.87
		15	10	10.53	2.53	10.28	2.59	10.03	2.64	9.78	2.69	9.53	2.74
		20	15	9.66	1.93	9.43	1.97	9.20	2.01	8.97	2.05	8.74	2.09

● Indoor unit : 7000Btu + 7000Btu + 18000Btu

			Indoor temperature										
			16°CDB		18°CDB		20°CDB		22°CDB		24°CDB		
			(°CDB)	(°CWB)	TC	IP	TC	IP	TC	IP	TC	IP	
7+7+18	Outdoor temperature	-15	-16	5.31	2.20	5.19	2.25	5.06	2.30	4.93	2.34	4.81	2.39
		-10	-11	6.18	2.32	6.04	2.37	5.89	2.41	5.74	2.46	5.59	2.51
		-5	-7	7.00	2.40	6.84	2.45	6.67	2.50	6.50	2.55	6.34	2.60
		0	-2	8.02	2.59	7.83	2.65	7.64	2.70	7.45	2.75	7.25	2.87
		5	3	9.08	2.59	8.86	2.65	8.65	2.70	8.43	2.75	8.22	2.87
		7	6	9.66	2.59	9.43	2.65	9.20	2.70	8.97	2.75	8.74	2.87
		10	8	10.05	2.59	9.81	2.65	9.57	2.70	9.33	2.75	9.09	2.87
		15	10	10.53	2.51	10.28	2.57	10.03	2.62	9.78	2.67	9.53	2.72
		20	15	9.66	1.92	9.43	1.96	9.20	2.00	8.97	2.04	8.74	2.08

● Indoor unit : 7000Btu + 9000Btu + 9000Btu

			Indoor temperature										
			16°CDB		18°CDB		20°CDB		22°CDB		24°CDB		
			(°CDB)	(°CWB)	TC	IP	TC	IP	TC	IP	TC	IP	
7+9+9	Outdoor temperature	-15	-16	5.20	2.34	5.07	2.39	4.95	2.44	4.83	2.49	4.70	2.54
		-10	-11	6.05	2.46	5.90	2.52	5.76	2.57	5.62	2.62	5.47	2.67
		-5	-7	6.85	2.55	6.69	2.61	6.53	2.66	6.36	2.71	6.20	2.77
		0	-2	7.84	2.76	7.66	2.87	7.47	2.87	7.28	2.87	7.10	2.87
		5	3	8.88	2.76	8.67	2.87	8.46	2.87	8.25	2.87	8.04	2.87
		7	6	9.45	2.76	9.23	2.87	9.00	2.87	8.78	2.87	8.55	2.87
		10	8	9.83	2.76	9.59	2.87	9.36	2.87	9.13	2.87	8.89	2.87
		15	10	10.30	2.67	10.06	2.73	9.81	2.78	9.56	2.87	9.32	2.87
		20	15	9.45	2.04	9.23	2.08	9.00	2.12	8.78	2.17	8.55	2.21

● Indoor unit : 7000Btu + 9000Btu + 12000Btu

			Indoor temperature										
			16°CDB		18°CDB		20°CDB		22°CDB		24°CDB		
			(°CDB)	(°CWB)	TC	IP	TC	IP	TC	IP	TC	IP	
7+9+12	Outdoor temperature	-15	-16	5.26	2.34	5.13	2.39	5.01	2.44	4.88	2.49	4.75	2.54
		-10	-11	6.12	2.46	5.97	2.52	5.82	2.57	5.68	2.62	5.53	2.67
		-5	-7	6.93	2.55	6.76	2.61	6.60	2.66	6.43	2.71	6.27	2.77
		0	-2	7.93	2.76	7.74	2.87	7.55	2.87	7.36	2.87	7.18	2.87
		5	3	8.98	2.76	8.77	2.87	8.55	2.87	8.34	2.87	8.13	2.87
		7	6	9.56	2.76	9.33	2.87	9.10	2.87	8.87	2.87	8.65	2.87
		10	8	9.94	2.76	9.70	2.87	9.46	2.87	9.23	2.87	8.99	2.87
		15	10	10.41	2.67	10.17	2.73	9.92	2.78	9.67	2.87	9.42	2.87
		20	15	9.56	2.04	9.33	2.08	9.10	2.12	8.87	2.17	8.65	2.21

TC : Total Capacity (kW)
IP : Input Power (kW)

● Indoor unit : 7000Btu + 9000Btu + 14000Btu

			Indoor temperature										
			16°CDB		18°CDB		20°CDB		22°CDB		24°CDB		
7+9+14	Outdoor temperature	(°CDB)	(°CWB)	TC	IP	TC	IP	TC	IP	TC	IP	TC	IP
		-15	-16	5.31	2.22	5.19	2.27	5.06	2.31	4.93	2.36	4.81	2.41
		-10	-11	6.18	2.34	6.04	2.38	5.89	2.43	5.74	2.48	5.59	2.53
		-5	-7	7.00	2.42	6.84	2.47	6.67	2.52	6.50	2.57	6.34	2.62
		0	-2	8.02	2.61	7.83	2.67	7.64	2.72	7.45	2.77	7.25	2.87
		5	3	9.08	2.61	8.86	2.67	8.65	2.72	8.43	2.77	8.22	2.87
		7	6	9.66	2.61	9.43	2.67	9.20	2.72	8.97	2.77	8.74	2.87
		10	8	10.05	2.61	9.81	2.67	9.57	2.72	9.33	2.77	9.09	2.87
		15	10	10.53	2.53	10.28	2.59	10.03	2.64	9.78	2.69	9.53	2.74
		20	15	9.66	1.93	9.43	1.97	9.20	2.01	8.97	2.05	8.74	2.09

● Indoor unit : 7000Btu + 9000Btu + 18000Btu

			Indoor temperature										
			16°CDB		18°CDB		20°CDB		22°CDB		24°CDB		
7+9+18	Outdoor temperature	(°CDB)	(°CWB)	TC	IP	TC	IP	TC	IP	TC	IP	TC	IP
		-15	-16	5.31	2.20	5.19	2.24	5.06	2.29	4.93	2.33	4.81	2.38
		-10	-11	6.18	2.31	6.04	2.36	5.89	2.41	5.74	2.45	5.59	2.50
		-5	-7	7.00	2.39	6.84	2.44	6.67	2.49	6.50	2.54	6.34	2.59
		0	-2	8.02	2.58	7.83	2.64	7.64	2.69	7.45	2.74	7.25	2.80
		5	3	9.08	2.58	8.86	2.64	8.65	2.69	8.43	2.74	8.22	2.80
		7	6	9.66	2.58	9.43	2.64	9.20	2.69	8.97	2.74	8.74	2.80
		10	8	10.05	2.58	9.81	2.64	9.57	2.69	9.33	2.74	9.09	2.80
		15	10	10.53	2.50	10.28	2.56	10.03	2.61	9.78	2.66	9.53	2.71
		20	15	9.66	1.91	9.43	1.95	9.20	1.99	8.97	2.03	8.74	2.07

● Indoor unit : 7000Btu + 12000Btu + 12000Btu

			Indoor temperature										
			16°CDB		18°CDB		20°CDB		22°CDB		24°CDB		
7+12+12	Outdoor temperature	(°CDB)	(°CWB)	TC	IP	TC	IP	TC	IP	TC	IP	TC	IP
		-15	-16	5.26	2.34	5.13	2.39	5.01	2.44	4.88	2.49	4.75	2.54
		-10	-11	6.12	2.46	5.97	2.52	5.82	2.57	5.68	2.62	5.53	2.67
		-5	-7	6.93	2.55	6.76	2.61	6.60	2.66	6.43	2.71	6.27	2.77
		0	-2	7.93	2.76	7.74	2.87	7.55	2.87	7.36	2.87	7.18	2.87
		5	3	8.98	2.76	8.77	2.87	8.55	2.87	8.34	2.87	8.13	2.87
		7	6	9.56	2.76	9.33	2.87	9.10	2.87	8.87	2.87	8.65	2.87
		10	8	9.94	2.76	9.70	2.87	9.46	2.87	9.23	2.87	8.99	2.87
		15	10	10.41	2.67	10.17	2.73	9.92	2.78	9.67	2.87	9.42	2.87
		20	15	9.56	2.04	9.33	2.08	9.10	2.12	8.87	2.17	8.65	2.21

● Indoor unit : 7000Btu + 12000Btu + 14000Btu

			Indoor temperature										
			16°CDB		18°CDB		20°CDB		22°CDB		24°CDB		
7+12+14	Outdoor temperature	(°CDB)	(°CWB)	TC	IP	TC	IP	TC	IP	TC	IP	TC	IP
		-15	-16	5.31	2.20	5.19	2.25	5.06	2.30	4.93	2.34	4.81	2.39
		-10	-11	6.18	2.32	6.04	2.37	5.89	2.41	5.74	2.46	5.59	2.51
		-5	-7	7.00	2.40	6.84	2.45	6.67	2.50	6.50	2.55	6.34	2.60
		0	-2	8.02	2.59	7.83	2.65	7.64	2.70	7.45	2.75	7.25	2.87
		5	3	9.08	2.59	8.86	2.65	8.65	2.70	8.43	2.75	8.22	2.87
		7	6	9.66	2.59	9.43	2.65	9.20	2.70	8.97	2.75	8.74	2.87
		10	8	10.05	2.59	9.81	2.65	9.57	2.70	9.33	2.75	9.09	2.87
		15	10	10.53	2.51	10.28	2.57	10.03	2.62	9.78	2.67	9.53	2.72
		20	15	9.66	1.92	9.43	1.96	9.20	2.00	8.97	2.04	8.74	2.08

TC : Total Capacity (kW)
IP : Input Power (kW)

● Indoor unit : 9000Btu + 9000Btu + 9000Btu

			Indoor temperature										
			16°CDB		18°CDB		20°CDB		22°CDB		24°CDB		
			(°CDB)	(°CWB)	TC	IP	TC	IP	TC	IP	TC	IP	
9+9+9	Outdoor temperature	-15	-16	5.26	2.34	5.13	2.39	5.01	2.44	4.88	2.49	4.75	2.54
		-10	-11	6.12	2.46	5.97	2.52	5.82	2.57	5.68	2.62	5.53	2.67
		-5	-7	6.93	2.55	6.76	2.61	6.60	2.66	6.43	2.71	6.27	2.77
		0	-2	7.93	2.76	7.74	2.87	7.55	2.87	7.36	2.87	7.18	2.87
		5	3	8.98	2.76	8.77	2.87	8.55	2.87	8.34	2.87	8.13	2.87
		7	6	9.56	2.76	9.33	2.87	9.10	2.87	8.87	2.87	8.65	2.87
		10	8	9.94	2.76	9.70	2.87	9.46	2.87	9.23	2.87	8.99	2.87
		15	10	10.41	2.67	10.17	2.73	9.92	2.78	9.67	2.87	9.42	2.87
		20	15	9.56	2.04	9.33	2.08	9.10	2.12	8.87	2.17	8.65	2.21

● Indoor unit : 9000Btu + 9000Btu + 12000Btu

			Indoor temperature										
			16°CDB		18°CDB		20°CDB		22°CDB		24°CDB		
			(°CDB)	(°CWB)	TC	IP	TC	IP	TC	IP	TC	IP	
9+9+12	Outdoor temperature	-15	-16	5.31	2.34	5.19	2.39	5.06	2.44	4.93	2.49	4.81	2.54
		-10	-11	6.18	2.46	6.04	2.52	5.89	2.57	5.74	2.62	5.59	2.67
		-5	-7	7.00	2.55	6.84	2.61	6.67	2.66	6.50	2.71	6.34	2.77
		0	-2	8.02	2.76	7.83	2.87	7.64	2.87	7.45	2.87	7.25	2.87
		5	3	9.08	2.76	8.86	2.87	8.65	2.87	8.43	2.87	8.22	2.87
		7	6	9.66	2.76	9.43	2.87	9.20	2.87	8.97	2.87	8.74	2.87
		10	8	10.05	2.76	9.81	2.87	9.57	2.87	9.33	2.87	9.09	2.87
		15	10	10.53	2.67	10.28	2.73	10.03	2.78	9.78	2.87	9.53	2.87
		20	15	9.66	2.04	9.43	2.08	9.20	2.12	8.97	2.17	8.74	2.21

● Indoor unit : 9000Btu + 9000Btu + 14000Btu

			Indoor temperature										
			16°CDB		18°CDB		20°CDB		22°CDB		24°CDB		
			(°CDB)	(°CWB)	TC	IP	TC	IP	TC	IP	TC	IP	
9+9+14	Outdoor temperature	-15	-16	5.31	2.20	5.19	2.25	5.06	2.30	4.93	2.34	4.81	2.39
		-10	-11	6.18	2.32	6.04	2.37	5.89	2.41	5.74	2.46	5.59	2.51
		-5	-7	7.00	2.40	6.84	2.45	6.67	2.50	6.50	2.55	6.34	2.60
		0	-2	8.02	2.59	7.83	2.65	7.64	2.70	7.45	2.75	7.25	2.87
		5	3	9.08	2.59	8.86	2.65	8.65	2.70	8.43	2.75	8.22	2.87
		7	6	9.66	2.59	9.43	2.65	9.20	2.70	8.97	2.75	8.74	2.87
		10	8	10.05	2.59	9.81	2.65	9.57	2.70	9.33	2.75	9.09	2.87
		15	10	10.53	2.51	10.28	2.57	10.03	2.62	9.78	2.67	9.53	2.72
		20	15	9.66	1.92	9.43	1.96	9.20	2.00	8.97	2.04	8.74	2.08

● Indoor unit* : 9000Btu + 9000Btu + 18000Btu

			Indoor temperature										
			16°CDB		18°CDB		20°CDB		22°CDB		24°CDB		
			(°CDB)	(°CWB)	TC	IP	TC	IP	TC	IP	TC	IP	
9+9+18	Outdoor temperature	-15	-16	5.31	2.19	5.19	2.23	5.06	2.28	4.93	2.32	4.81	2.37
		-10	-11	6.18	2.30	6.04	2.35	5.89	2.40	5.74	2.44	5.59	2.49
		-5	-7	7.00	2.38	6.84	2.43	6.67	2.48	6.50	2.53	6.34	2.58
		0	-2	8.02	2.57	7.83	2.63	7.64	2.68	7.45	2.73	7.25	2.79
		5	3	9.08	2.57	8.86	2.63	8.65	2.68	8.43	2.73	8.22	2.79
		7	6	9.66	2.57	9.43	2.63	9.20	2.68	8.97	2.73	8.74	2.79
		10	8	10.05	2.57	9.81	2.63	9.57	2.68	9.33	2.73	9.09	2.79
		15	10	10.53	2.50	10.28	2.55	10.03	2.60	9.78	2.65	9.53	2.70
		20	15	9.66	1.90	9.43	1.94	9.20	1.98	8.97	2.02	8.74	2.06

* : When "AS*G18L" is connected , 9000Btu model shall be chosen at least one "Compact wall mounted type" or more.

TC : Total Capacity (kW)
IP : Input Power (kW)

● Indoor unit : 9000Btu + 12000Btu + 12000Btu

			Indoor temperature										
			16°CDB		18°CDB		20°CDB		22°CDB		24°CDB		
9+12+12	Outdoor temperature	(°CDB)	(°CWB)	TC	IP	TC	IP	TC	IP	TC	IP	TC	IP
		-15	-16	5.31	2.29	5.19	2.33	5.06	2.38	4.93	2.43	4.81	2.48
		-10	-11	6.18	2.40	6.04	2.45	5.89	2.50	5.74	2.55	5.59	2.60
		-5	-7	7.00	2.49	6.84	2.54	6.67	2.60	6.50	2.65	6.34	2.70
		0	-2	8.02	2.69	7.83	2.74	7.64	2.80	7.45	2.87	7.25	2.87
		5	3	9.08	2.69	8.86	2.74	8.65	2.80	8.43	2.87	8.22	2.87
		7	6	9.66	2.69	9.43	2.74	9.20	2.80	8.97	2.87	8.74	2.87
		10	8	10.05	2.69	9.81	2.74	9.57	2.80	9.33	2.87	9.09	2.87
		15	10	10.53	2.61	10.28	2.66	10.03	2.72	9.78	2.77	9.53	2.87
		20	15	9.66	1.99	9.43	2.03	9.20	2.07	8.97	2.11	8.74	2.15

● Indoor unit : 9000Btu + 12000Btu + 14000Btu

			Indoor temperature										
			16°CDB		18°CDB		20°CDB		22°CDB		24°CDB		
9+12+14	Outdoor temperature	(°CDB)	(°CWB)	TC	IP	TC	IP	TC	IP	TC	IP	TC	IP
		-15	-16	5.31	2.20	5.19	2.24	5.06	2.29	4.93	2.33	4.81	2.38
		-10	-11	6.18	2.31	6.04	2.36	5.89	2.41	5.74	2.45	5.59	2.50
		-5	-7	7.00	2.39	6.84	2.44	6.67	2.49	6.50	2.54	6.34	2.59
		0	-2	8.02	2.58	7.83	2.64	7.64	2.69	7.45	2.74	7.25	2.80
		5	3	9.08	2.58	8.86	2.64	8.65	2.69	8.43	2.74	8.22	2.80
		7	6	9.66	2.58	9.43	2.64	9.20	2.69	8.97	2.74	8.74	2.80
		10	8	10.05	2.58	9.81	2.64	9.57	2.69	9.33	2.74	9.09	2.80
		15	10	10.53	2.50	10.28	2.56	10.03	2.61	9.78	2.66	9.53	2.71
		20	15	9.66	1.91	9.43	1.95	9.20	1.99	8.97	2.03	8.74	2.07

● Indoor unit : 12000Btu + 12000Btu + 12000Btu

			Indoor temperature										
			16°CDB		18°CDB		20°CDB		22°CDB		24°CDB		
12+12+12	Outdoor temperature	(°CDB)	(°CWB)	TC	IP	TC	IP	TC	IP	TC	IP	TC	IP
		-15	-16	5.31	2.27	5.19	2.32	5.06	2.36	4.93	2.41	4.81	2.46
		-10	-11	6.18	2.39	6.04	2.44	5.89	2.49	5.74	2.54	5.59	2.59
		-5	-7	7.00	2.47	6.84	2.53	6.67	2.58	6.50	2.63	6.34	2.68
		0	-2	8.02	2.67	7.83	2.72	7.64	2.78	7.45	2.87	7.25	2.87
		5	3	9.08	2.67	8.86	2.72	8.65	2.78	8.43	2.87	8.22	2.87
		7	6	9.66	2.67	9.43	2.72	9.20	2.78	8.97	2.87	8.74	2.87
		10	8	10.05	2.67	9.81	2.72	9.57	2.78	9.33	2.87	9.09	2.87
		15	10	10.53	2.59	10.28	2.64	10.03	2.70	9.78	2.75	9.53	2.87
		20	15	9.66	1.97	9.43	2.02	9.20	2.06	8.97	2.10	8.74	2.14

TC : Total Capacity (kW)
IP : Input Power (kW)

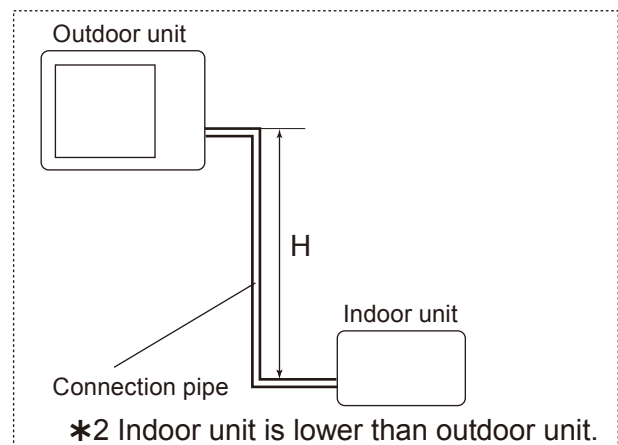
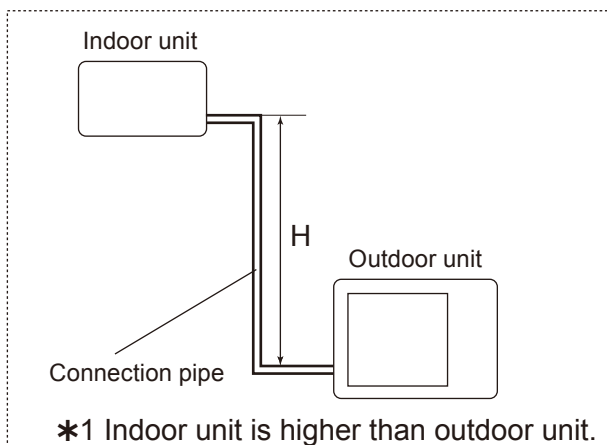
6. CAPACITY COMPENSATION RATE FOR PIPE LENGTH AND HEIGHT DEFFERENCE

■ INDOOR UNIT : 7000Btu (AO*G18L3, AO*G24L3)

COOLING			Pipe length (m)					
			5	7.5	10	15	20	25
Height difference H (m)	*1 Indoor unit is higher than outdoor unit.	15	-	-	-	0.956	0.942	0.928
		10	-	-	0.977	0.963	0.950	0.936
		7.5	-	0.988	0.981	0.967	0.953	0.940
		5	0.992	0.992	0.985	0.971	0.957	0.943
	0		1.000	1.000	0.993	0.979	0.965	0.951
	*2 Indoor unit is lower than outdoor unit	-5	1.000	1.000	0.993	0.979	0.965	0.951
		-7.5	-	1.000	0.993	0.979	0.965	0.951
		-10	-	-	0.993	0.979	0.965	0.951
-15		-	-	-	0.979	0.965	0.951	

HEATING			Pipe length (m)					
			5	7.5	10	15	20	25
Height difference H (m)	*1 Indoor unit is higher than outdoor unit.	15	-	-	-	0.977	0.958	0.939
		10	-	-	0.993	0.977	0.958	0.939
		7.5	-	1.000	0.993	0.977	0.958	0.939
		5	1.000	1.000	0.993	0.977	0.958	0.939
	0		1.000	1.000	0.993	0.977	0.958	0.939
	*2 Indoor unit is lower than outdoor unit	-5	0.995	0.995	0.988	0.972	0.953	0.934
		-7.5	-	0.993	0.986	0.970	0.951	0.932
		-10	-	-	0.983	0.967	0.948	0.930
-15		-	-	-	0.962	0.944	0.925	

Height difference H



OUTDOOR UNIT
AO*G18-24L3

OUTDOOR UNIT
AO*G18-24L3

INDOOR UNIT : 9000Btu (AO*G18L3, AO*G24L3)

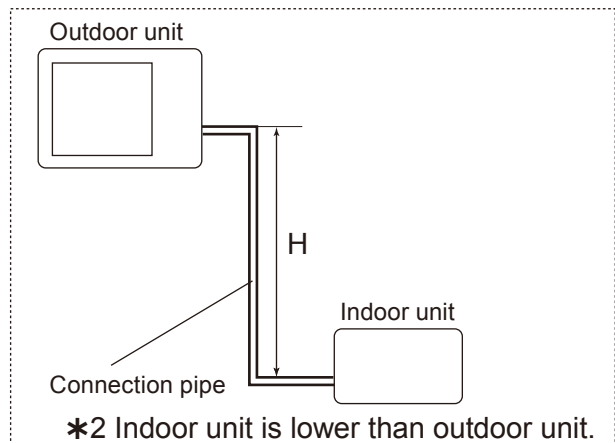
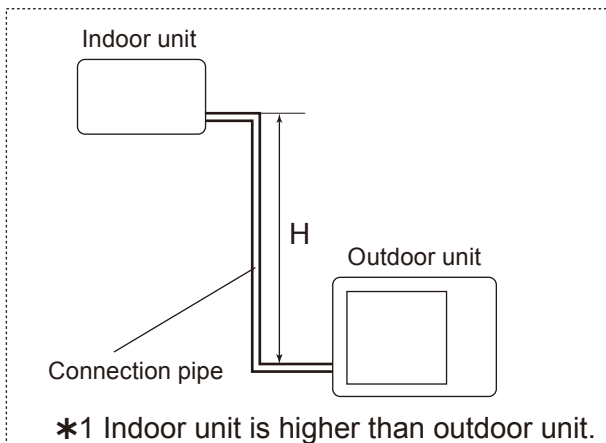
OUTDOOR UNIT
AO*G18-24L3

OUTDOOR UNIT
AO*G18-24L3

COOLING			Pipe length (m)					
			5	7.5	10	15	20	25
Height difference H (m)	*1 Indoor unit is higher than outdoor unit.	15	-	-	-	0.956	0.942	0.928
		10	-	-	0.977	0.963	0.950	0.936
		7.5	-	0.988	0.981	0.967	0.953	0.940
		5	0.992	0.992	0.985	0.971	0.957	0.943
	*2 Indoor unit is lower than outdoor unit	0	1.000	1.000	0.993	0.979	0.965	0.951
		-5	1.000	1.000	0.993	0.979	0.965	0.951
		-7.5	-	1.000	0.993	0.979	0.965	0.951
		-10	-	-	0.993	0.979	0.965	0.951
		-15	-	-	-	0.979	0.965	0.951

HEATING			Pipe length (m)					
			5	7.5	10	15	20	25
Height difference H (m)	*1 Indoor unit is higher than outdoor unit.	15	-	-	-	0.977	0.958	0.939
		10	-	-	0.993	0.977	0.958	0.939
		7.5	-	1.000	0.993	0.977	0.958	0.939
		5	1.000	1.000	0.993	0.977	0.958	0.939
	*2 Indoor unit is lower than outdoor unit	0	1.000	1.000	0.993	0.977	0.958	0.939
		-5	0.995	0.995	0.988	0.972	0.953	0.934
		-7.5	-	0.993	0.986	0.970	0.951	0.932
		-10	-	-	0.983	0.967	0.948	0.930
		-15	-	-	-	0.962	0.944	0.925

Height difference H

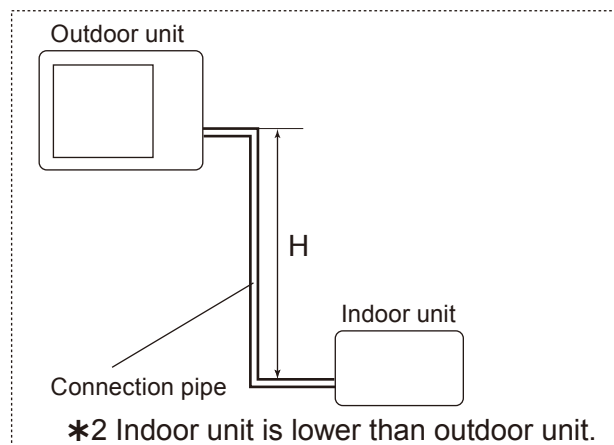
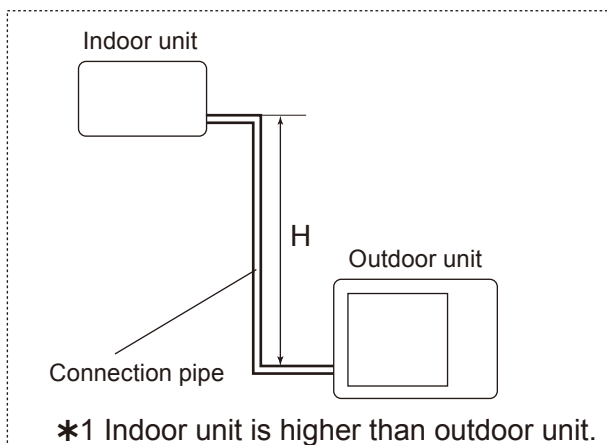


INDOOR UNIT : 12000Btu (AO*G18L3, AO*G24L3)

COOLING			Pipe length (m)					
			5	7.5	10	15	20	25
Height difference H (m)	*1 Indoor unit is higher than outdoor unit.	15	-	-	-	0.933	0.899	0.859
		10	-	-	0.970	0.940	0.906	0.866
		7.5	-	0.988	0.974	0.944	0.910	0.869
		5	0.992	0.992	0.978	0.948	0.913	0.873
	*2 Indoor unit is lower than outdoor unit	0	1.000	1.000	0.986	0.956	0.921	0.880
		-5	1.000	1.000	0.986	0.956	0.921	0.880
		-7.5	-	1.000	0.986	0.956	0.921	0.880
		-10	-	-	0.986	0.956	0.921	0.880
		-15	-	-	-	0.956	0.921	0.880

HEATING			Pipe length (m)					
			5	7.5	10	15	20	25
Height difference H (m)	*1 Indoor unit is higher than outdoor unit.	15	-	-	-	0.975	0.957	0.940
		10	-	-	0.990	0.975	0.957	0.940
		7.5	-	1.000	0.990	0.975	0.957	0.940
		5	1.000	1.000	0.990	0.975	0.957	0.940
	*2 Indoor unit is lower than outdoor unit	0	1.000	1.000	0.990	0.975	0.957	0.940
		-5	0.995	0.995	0.985	0.970	0.952	0.936
		-7.5	-	0.993	0.983	0.968	0.950	0.934
		-10	-	-	0.980	0.965	0.947	0.931
		-15	-	-	-	0.960	0.943	0.926

Height difference H

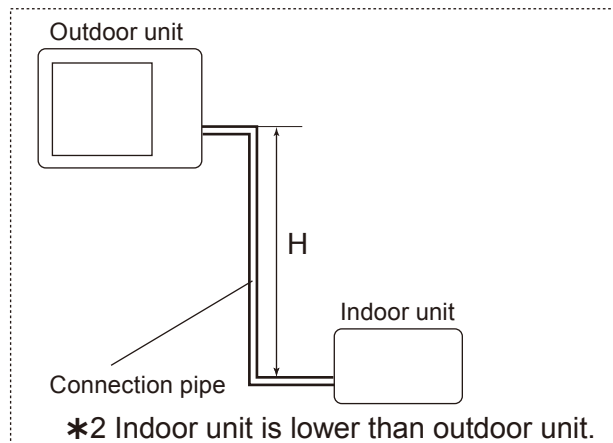
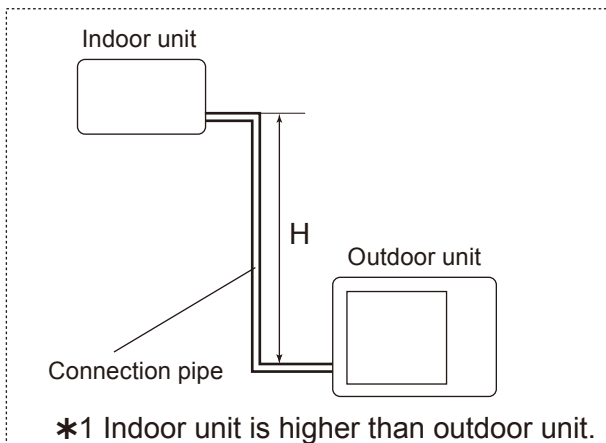


INDOOR UNIT : 14000Btu (AO*G18L3, AO*G24L3)

COOLING			Pipe length (m)					
			5	7.5	10	15	20	25
Height difference H (m)	*1 Indoor unit is higher than outdoor unit.	15	-	-	-	0.969	0.962	0.953
		10	-	-	0.982	0.977	0.970	0.961
		7.5	-	0.988	0.986	0.981	0.973	0.965
		5	0.992	0.992	0.990	0.985	0.977	0.968
	*2 Indoor unit is lower than outdoor unit	0	1.000	1.000	0.998	0.993	0.985	0.976
		-5	1.000	1.000	0.998	0.993	0.985	0.976
		-7.5	-	1.000	0.998	0.993	0.985	0.976
		-10	-	-	0.998	0.993	0.985	0.976
		-15	-	-	-	0.993	0.985	0.976

HEATING			Pipe length (m)					
			5	7.5	10	15	20	25
Height difference H (m)	*1 Indoor unit is higher than outdoor unit.	15	-	-	-	0.967	0.943	0.917
		10	-	-	0.990	0.967	0.943	0.917
		7.5	-	1.000	0.990	0.967	0.943	0.917
		5	1.000	1.000	0.990	0.967	0.943	0.917
	*2 Indoor unit is lower than outdoor unit	0	1.000	1.000	0.990	0.967	0.943	0.917
		-5	0.995	0.995	0.985	0.962	0.938	0.912
		-7.5	-	0.993	0.983	0.960	0.936	0.911
		-10	-	-	0.980	0.957	0.934	0.908
		-15	-	-	-	0.952	0.929	0.903

Height difference H

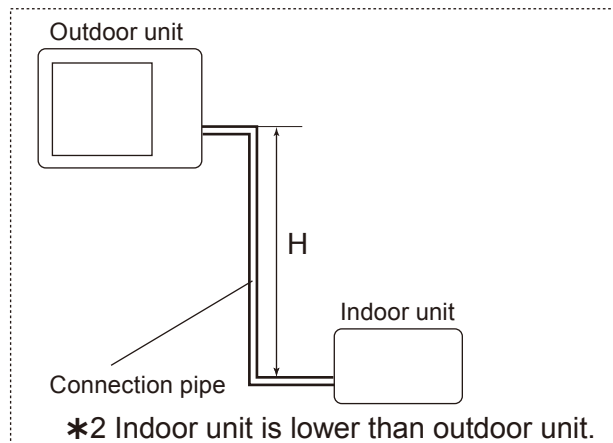
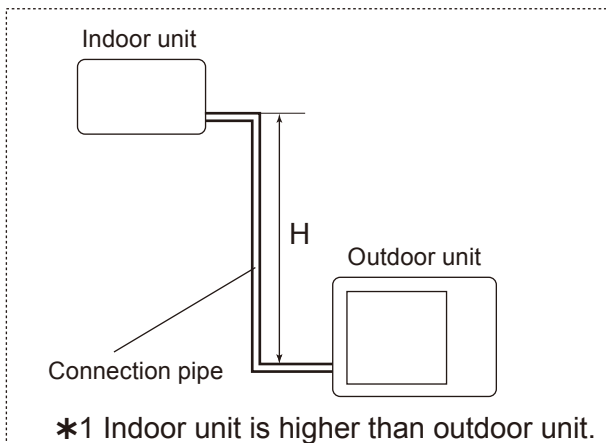


INDOOR UNIT : 18000Btu (AO*G24L3)

COOLING			Pipe length (m)					
			5	7.5	10	15	20	25
Height difference H (m)	*1 Indoor unit is higher than outdoor unit.	15	-	-	-	0.977	0.968	0.953
		10	-	-	0.986	0.985	0.976	0.960
		7.5	-	0.988	0.990	0.989	0.980	0.964
		5	0.992	0.992	0.994	0.993	0.984	0.968
	*2 Indoor unit is lower than outdoor unit	0	1.000	1.000	1.002	1.002	0.992	0.976
		-5	1.000	1.000	1.002	1.002	0.992	0.976
		-7.5	-	1.000	1.002	1.002	0.992	0.976
		-10	-	-	1.002	1.002	0.992	0.976
		-15	-	-	-	1.002	0.992	0.976

HEATING			Pipe length (m)					
			5	7.5	10	15	20	25
Height difference H (m)	*1 Indoor unit is higher than outdoor unit.	15	-	-	-	0.964	0.939	0.913
		10	-	-	0.988	0.964	0.939	0.913
		7.5	-	1.000	0.988	0.964	0.939	0.913
		5	1.000	1.000	0.988	0.964	0.939	0.913
	*2 Indoor unit is lower than outdoor unit	0	1.000	1.000	0.988	0.964	0.939	0.913
		-5	0.995	0.995	0.983	0.959	0.934	0.908
		-7.5	-	0.993	0.981	0.957	0.932	0.907
		-10	-	-	0.978	0.954	0.930	0.904
		-15	-	-	-	0.950	0.925	0.899

Height difference H



7. ADDITIONAL CHARGE CALCULATION

■ MODEL: AO*G18L3, AO*G24L3

Refrigerant type		R410A
Refrigerant amount	g	2200

● Refrigerant charge

Total pipe length	m	30 or less	40	50 (MAX.)	20g/m
Additional charge	g	0	200	400	

8. AIRFLOW

■ MODEL: AO*G18L3

● Cooling

Number of rotations (r.p.m.)	Airflow	
	730	m ³ /h
l/s		847
CFM		1795

● Heating

Number of rotations (r.p.m.)	Airflow	
	660	m ³ /h
l/s		764
CFM		1618

■ MODEL: AO*G24L3

● Cooling

Number of rotations (r.p.m.)	Airflow	
	780	m ³ /h
l/s		917
CFM		1942

● Heating

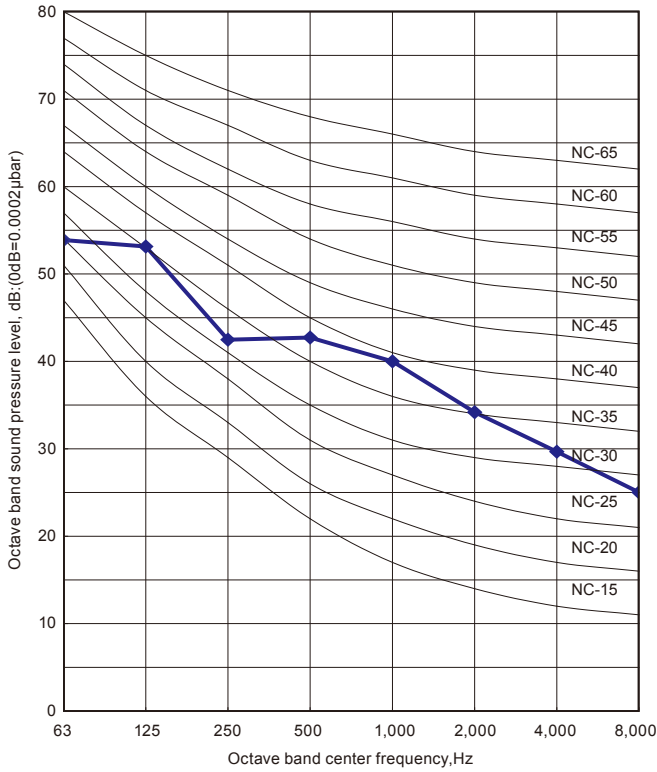
Number of rotations (r.p.m.)	Airflow	
	780	m ³ /h
l/s		917
CFM		1942

9. OPERATION NOISE (SOUND PRESSURE)

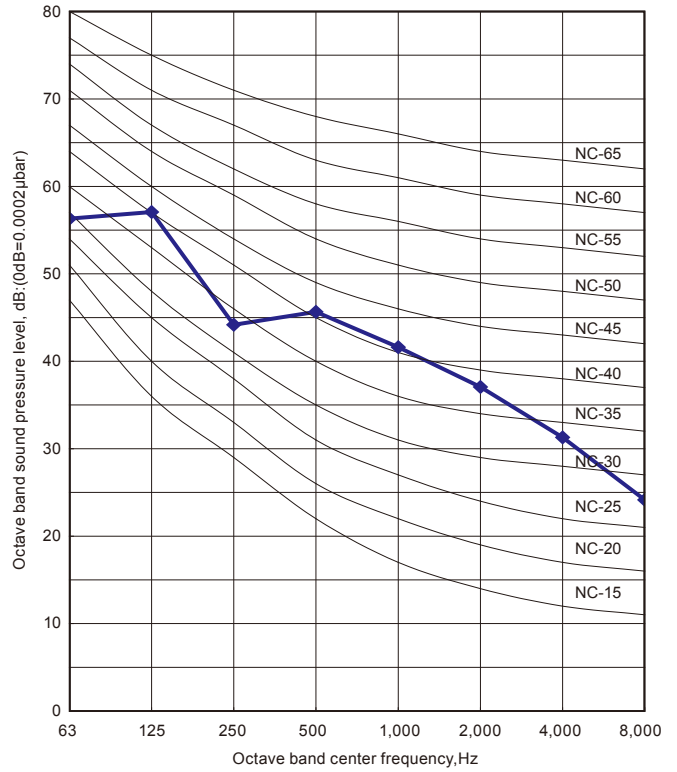
9-1. NOISE LEVEL CURVE

MODEL: AO*G18L3

● Cooling

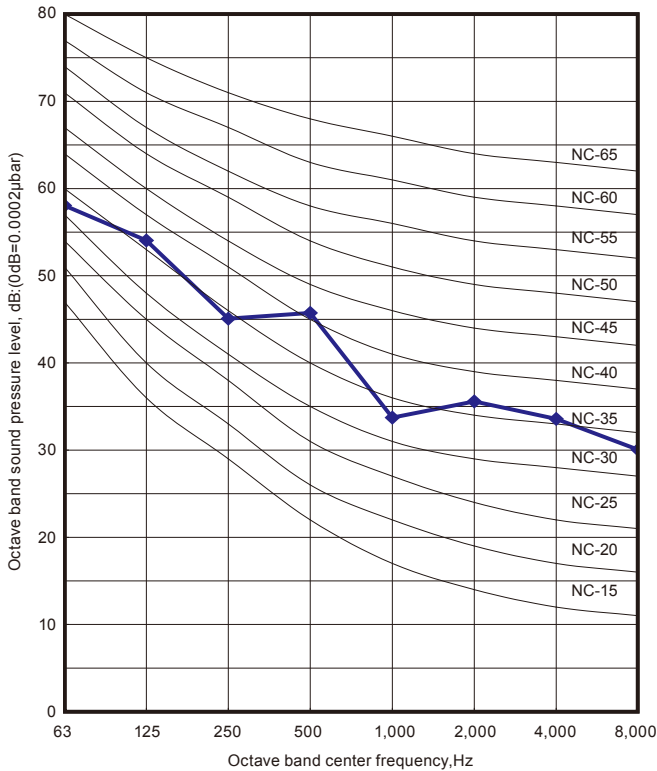


● Heating

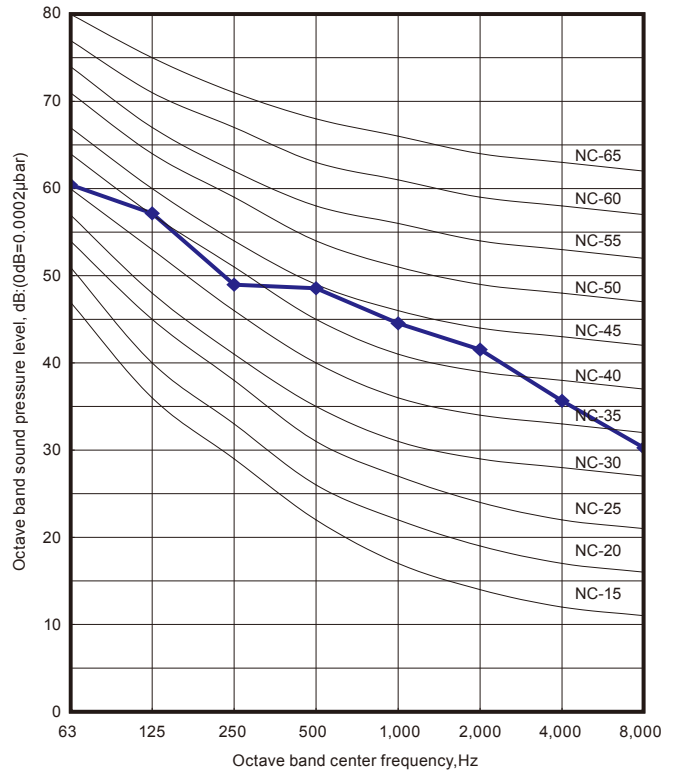


MODEL: AO*G24L3

● Cooling



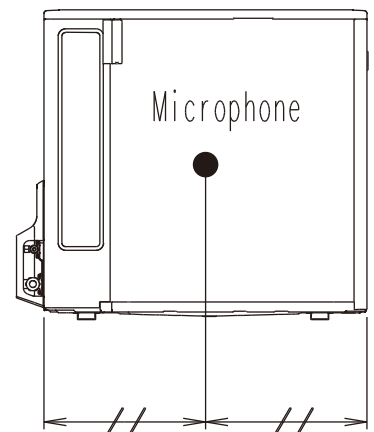
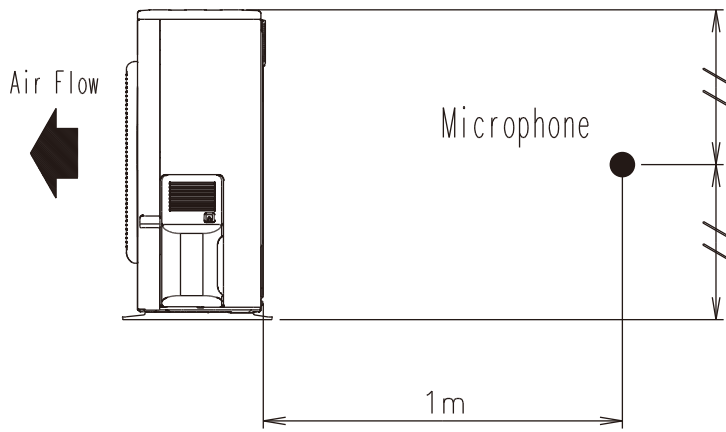
● Heating



OUTDOOR UNIT
AO*G18-24L3

OUTDOOR UNIT
AO*G18-24L3

9-2. SOUND LEVEL CHECK POINT



OUTDOOR UNIT
AO*G18-24L3

OUTDOOR UNIT
AO*G18-24L3

10. ELECTRIC CHARACTERISTICS

Model name			AO*G18L3	AO*G24L3
Power supply	Voltage	V	230 ~	
	Frequency	Hz	50	
Max. operating current		A	9.0	12.5
Starting current		A	7.1	8.8
*1) Wiring spec.	Main fuse (Circuit breaker) current	A	25	
	Power cable	mm ²	4.0	
	*2) Limited wiring length	m	15	

*1) Wiring spec. :
 Selected sample
 (Selected based on Japan Electrotechnical Standard and Codes Committee E0005)

*2) Limited wiring length :
 This is the wiring length in case voltage descent is less than 2%.
 When the wiring length becomes long, please select the wiring of a more larger diameter.

11. SAFETY DEVICES

	Protection form	Model	
		AO*G18L3	AO*G24L3
Circuit protection	Current fuse (MAIN PCB)	5A 250V	
		3.15A 250V	
	Current fuse (NEAR THE TERMINAL TO POWER SUPPLY)	25A 250V	
	Current fuse (NEAR THE TERMINAL TO INDOOR UNIT)	10A 250V	
Fan motor protection	Thermal protector	OFF : 130±20°C ON : 100±20°C	
Compressor protection	Thermal protector	OFF : 110°C ON : 80°C	
High pressure protection	Pressure switch (1)	OFF : 4.2±0.10MPa ON : 3.2±0.15MPa	

*Pressure switch (2) : For control device

12. INSTALLATION PRECAUTIONS

12-1. OUTDOOR UNIT INSTALLATION PRECAUTIONS

Note: The information listed below are general precautions.
Some models also include items that do not apply.

■ PLACES WHERE USE PROHIBITED

- Places where there is the danger of combustible gas leakage
- Places where sulfur gas, chlorine gas, acid, alkali, or other matter which effects equipment is generated
- Places not affected by heat radiation from other heat sources
- Places where the air is not stagnant
- Places where machinery which generates high frequencies is used
- Ocean beaches and other areas where there is a lot of salt
- Installation in vehicles, ships, and other conveyances
- Factory, etc. where voltage fluctuations are large

■ POINTS TO REMEMBER WHEN INSTALLING

- (1) The set shall be installed at a place which can withstand the weight and vibration of the outdoor unit
- (2) To allow maintenance after refrigerant piping, drain piping, and electric wiring connection and installation, provide an installation service space.
*Installation service space is shown on " INSTALLATION PLACE ".
- (3) Be careful when installing the set at the following places.

[Installation precautions]

	Contents	Countermeasures (Reference)
When installed near adjacent houses	Perform installation work so that operating sound does not disturb the neighbors.	(1) Install a soundproof barrier (2) Change the installation site
When there is the possibility of strong wind	(1) If the outdoor unit is exposed to strong wind, capacity may drop, frost may form during heating, and operation may be stopped by high pressure rise. In addition, when a very strong wind blows, the fan may be damaged. (2) When a very strong wind blows, there is the possibility of the outdoor unit being toppled over if held only by foundation bolts	(1) Install with the outlet side Keep a sufficient distance away from a facing wall or fence. (2) Make the outlet direction and wind direction perpendicular. (3) Fasten the outdoor unit using toppling prevention hardware (procured at the site).
When snow accumulates	If the outdoor unit is covered by accumulated snow, it may not be able to operate.	(1) Make the foundation as high as possible. (2) Perform snow prevention work.
When installing the inverter type	It may generate noise in TV sets, stereos and PCs.	(1) The inverter type should be installed at a sufficient distance from these equipments.

4. OUTDOOR UNIT (4 ROOMS TYPE)

**MULTI TYPE :
AO*G30LAT4**

CONTENTS

4. OUTDOOR UNIT (4 ROOMS TYPE)

1.	SPECIFICATIONS	04 - 01
2.	DIMENSIONS	04 - 03
3.	REFRIGERANT CIRCUIT	04 - 04
4.	WIRING DIAGRAMS	04 - 05
5.	CAPACITY TABLE	04 - 06
5-1.	COMBINATIONS	04 - 06
5-2.	COOLING CAPACITY	04 - 10
5-3.	HEATING CAPACITY	04 - 37
6.	CAPACITY COMPENSATION RATE FOR PIPE LENGTH AND HEIGHT DEFFERENCE	04 - 64
7.	ADDITIONAL CHARGE CALCULATION	04 - 70
8.	AIRFLOW	04 - 71
9.	OPERATION NOISE (SOUND PRESSURE)	04 - 72
9-1.	NOISE LEVEL CURVE	04 - 72
9-2.	SOUND LEVEL CHECK POINT	04 - 73
10.	ELECTRIC CHARACTERISTICS	04 - 74
11.	SAFETY DEVICES	04 - 75
12.	INSTALLATION PRECAUTIONS	04 - 76
12-1.	OUTDOOR UNIT INSTALLATION PRECAUTIONS	04 - 76

1. SPECIFICATIONS

The following performance is a value at standard combinations.

■ STANDARD COMBINATION

AO*G30LAT4 : AS*G09LMCA + AS*G09LMCA + AS*G09LMCA + AS*G09LMCA

Type				INVERTER MULTI MODELS		
Model name				HEAT PUMP TYPE		
Power source				AO*G30LAT4		
Available voltage range				230V ~ 50Hz		
Available voltage range				198-264V ~ 50Hz		
Capacity	Cooling	Rated	kW	8.0		
			Btu/h	27300		
		Min. - Max.	kW	3.5 - 10.1		
				Btu/h	11940 - 34500	
	Heating	Rated	kW	9.6		
			Btu/h	32800		
Min. - Max.		kW	3.7 - 12.0			
			Btu/h	12620 - 41000		
Input power	Cooling	Rated	kW	2.22		
				Max.	3.56	
	Heating	Rated		2.40		
		Max.		3.58		
Current	Cooling	Rated	A	9.7		
	Heating			10.5		
EER	Cooling	Rated	kW/kW	3.60		
COP	Heating		kW/kW	4.00		
Starting current			A	10.5		
Maximum operating current			A	15.5		
Fan	Airflow rate	Cooling	m ³ /h	3500		
		Heating		3300		
	Type x Q'ty			Propeller x 1		
	Motor output			W	103	
Sound pressure level *1	Cooling		dB(A)	50		
	Heating			51		
Heat exchanger type	Dimension (H x W x D)		mm	798 x 900 x 36.38		
	Fin pitch		mm	1.3		
	Rows x Stages			2 x 38		
	Pipe type			Copper tube		
	Fin type			Aluminium		
Compressor	Type x Q'ty			DC TWIN ROTARY x 1		
	Motor output		W	1300		
Refrigerant	Type (Global Warming Potential)			R410A (1975)		
	Charge		g	3300		
Refrigerant oil	Type			POE		
Enclosure	Material			Steel sheet		
	Colour			BEIGE (Approximate colour of MUNSELL 10YR7.5 / 1.0NN)		
Dimensions (H x W x D)	Net		mm	830 x 900 x 330		
	Gross			1000 x 1050 x 445		
Weight	Net		kg	68		
	Gross			76		
Connection pipe	Size	Liquid	mm	Ø6.35 (Ø1/4 in.) x 4		
		Gas		Ø9.52 (Ø3/8 in.) x 2, *2) Ø12.70 (Ø1/2 in.) x 2		
	Method			Flare		
	Pre-charge length (Total)		m	50		
	Max. length (Total)			70		
	Max. length (Each)			25		
	Min. length (Total)			20		
	Min. length (Each)			5		
	Max. height difference between Outdoor Unit and each Indoor Units.			15		
	Max. height difference between Indoor Units.			10		
Operation range		°C		0 to 46		
Heating				-10 to 24		
Drain hose	Material				LDPE	
	Size		mm	Ø 13.0 (I.D.), Ø 16.0 to Ø 16.7 (O.D.)		

NOTE:

Specifications are based on the following conditions.

Cooling: Indoor temperature of 27 °CDB / 19 °CWB, and outdoor temperature of 35 °CDB / 24 °CWB.

Heating: Indoor temperature of 20 °CDB / 15 °CWB, and outdoor temperature of 7 °CDB / 6 °CWB.

Pipe length: 5 m, Height difference: 0 m. (Outdoor unit - indoor unit)

The protective function might work when using it outside the operation range.

*1: These are the measured values in the manufacturer's anechoic chamber.

Because of the surrounding sound environment, the sound levels measured in actual installation conditions might be higher than the specified values here.

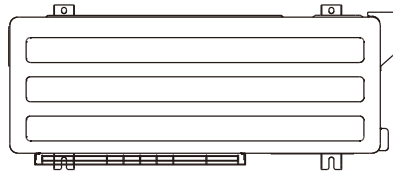
*2: Connect to connection valve by the adapter

Model name				AO*G30LAT4
Energy efficiency class	Cooling			A++
	Heating (Average)			A+
Pdesign	Cooling	kW		8.0 (35°C)
	Heating (Average)			6.2 (-10°C)
SEER	Cooling		kWh/kWh	6.20
SCOP	Heating (Average)			4.00
Annual energy consumption	QCE		kWh/a	451
	QHE (Average)			2169
Sound power level	Cooling	High	dB (A)	68
	Heating			70

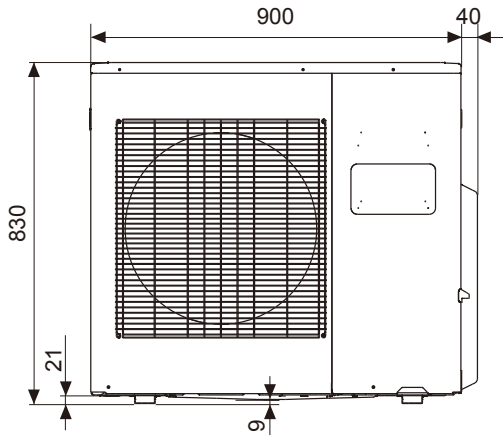
2. DIMENSIONS

MODEL: AO*G30L4

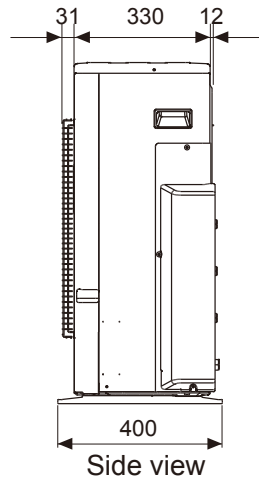
(Unit : mm)



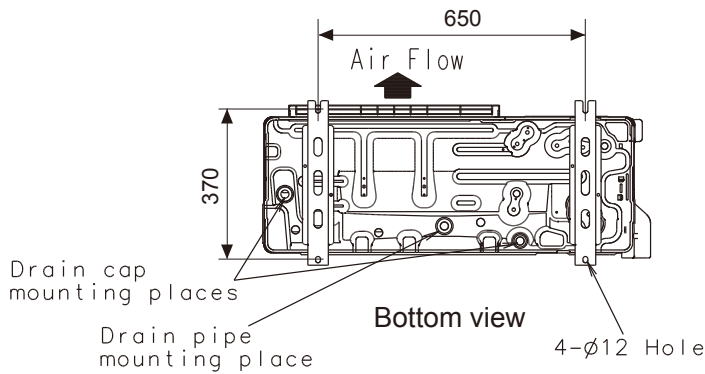
Top view



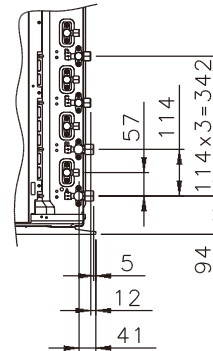
Front view



Side view

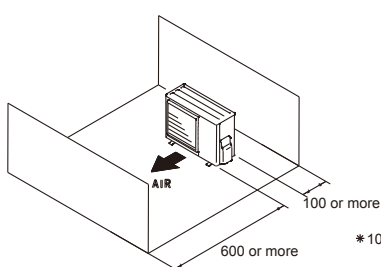


Bottom view

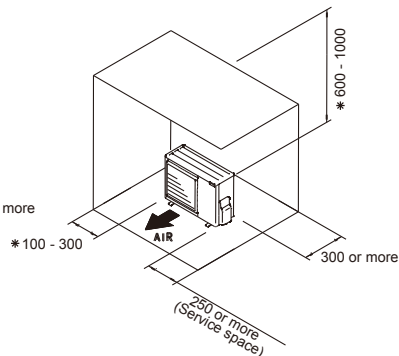


MOUNTING POSITION

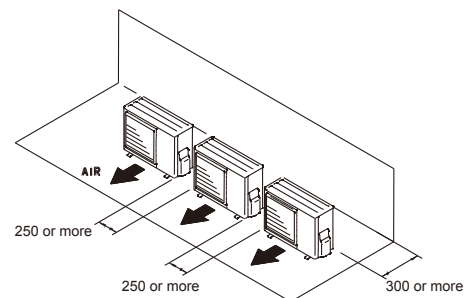
When there are obstacles at the back or front sides.



When there are obstacles at the back, side(s), and top.



When there are obstacles at the back, side with the installation of more than one unit.

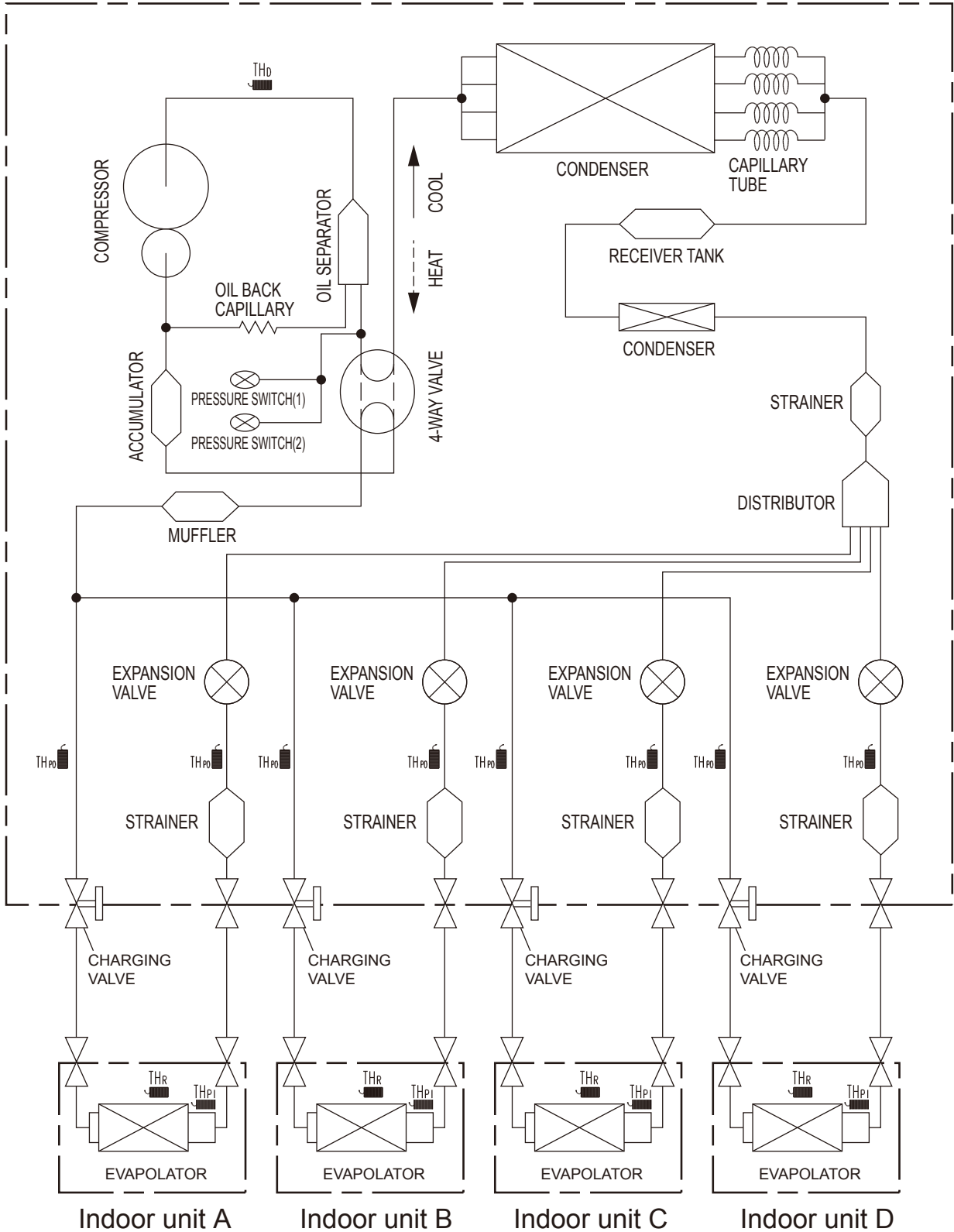


*If the space is larger than that is stated, the condition will be the same as that are no obstacles.

3. REFRIGERANT CIRCUIT

MODEL: AO*G30L4

Outdoor unit



TH_R : THERMISTOR (ROOM TEMP.)
 TH_{PI} : THERMISTOR (PIPE TEMP.)

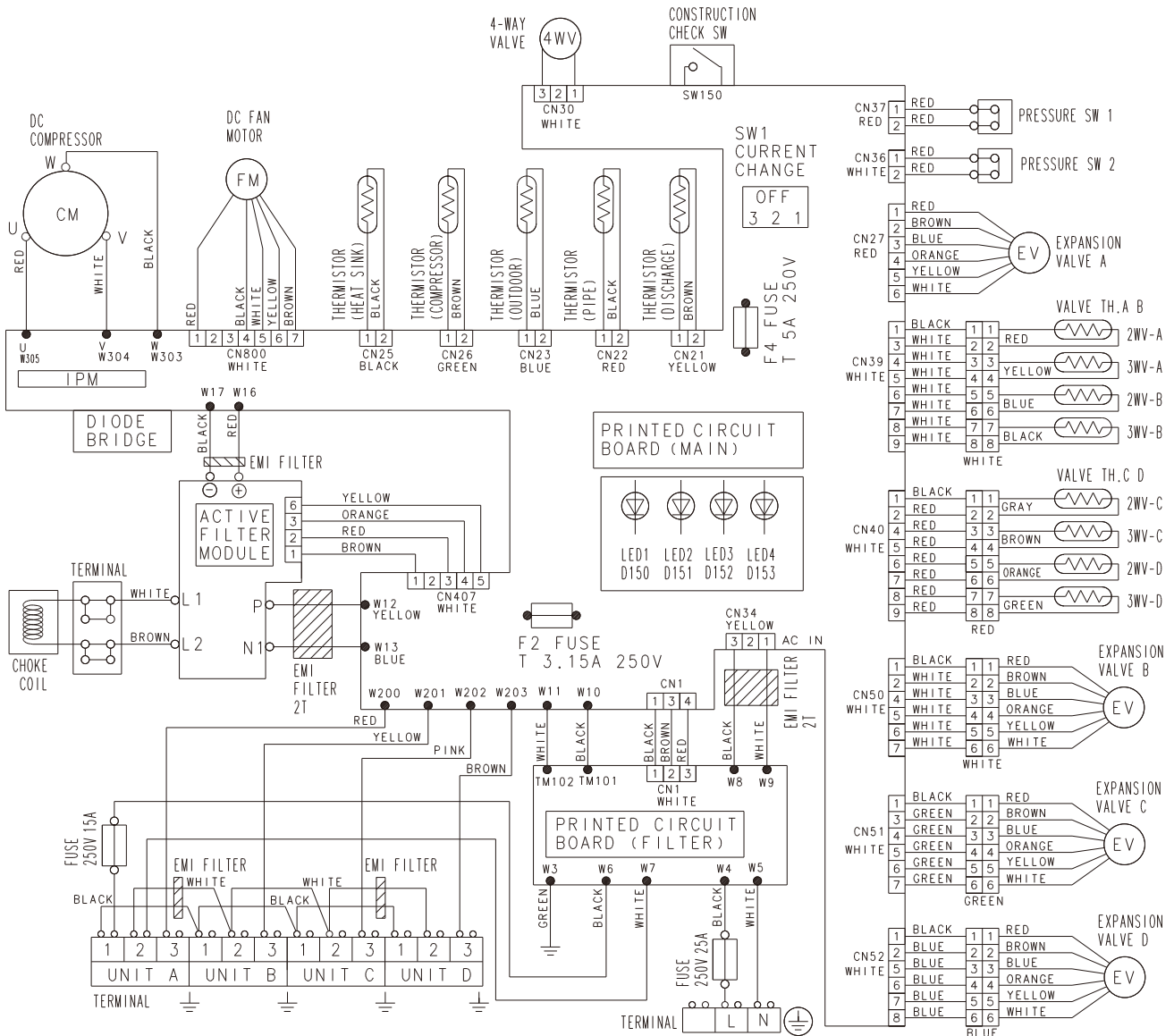
TH_D : THERMISTOR (DISCHARGE TEMP.)
 TH_{PO} : THERMISTOR (PIPE TEMP.)

OUTDOOR UNIT
AO*G30L4

OUTDOOR UNIT
AO*G30L4

4. WIRING DIAGRAMS

MODEL: AO*G30L4



OUTDOOR UNIT
AO*G30L4

OUTDOOR UNIT
AO*G30L4

5. CAPACITY TABLE

5-1. COMBINATIONS

MODEL: AO*G30L4

● Cooling

Combination of indoor unit	COOLING OPERATION										
	Cooling Capacity					Input Power (min-max)	EER	Seasonal Data			
	Room 1	Room 2	Room 3	Room 4	Total Capacity (min-max)			Pdesign	SEER	Energy Efficiency Class	
	KW	KW	KW	KW	KW	kW					
7 7 14 -	1.96	1.96	3.27	-	7.20 (1.6 - 8.9)	2.22 (0.68 - 3.43)	3.24	7.2	5.9	A+	
7 7 18 -	1.81	1.81	4.08	-	7.70 (2.8 - 10.0)	2.22 (0.98 - 3.55)	3.47	7.7	5.8	A+	
7 7 24 -	1.61	1.61	4.57	-	7.80 (2.8 - 10.1)	2.19 (0.98 - 3.53)	3.56	7.8	5.8	A+	
7 9 12 -	2.08	2.34	2.78	-	7.20 (1.6 - 8.9)	2.22 (0.68 - 3.41)	3.24	7.2	5.9	A+	
7 9 14 -	1.90	2.14	3.16	-	7.20 (2.8 - 9.1)	2.22 (0.98 - 3.56)	3.24	7.2	5.9	A+	
7 9 18 -	1.76	1.98	3.96	-	7.70 (2.8 - 9.9)	2.22 (0.98 - 3.56)	3.47	7.7	5.8	A+	
7 9 24 -	1.57	1.77	4.46	-	7.80 (2.8 - 10.1)	2.19 (0.98 - 3.53)	3.56	7.8	5.8	A+	
7 12 12 -	1.96	2.62	2.62	-	7.20 (1.6 - 9.1)	2.22 (0.68 - 3.54)	3.24	7.2	5.9	A+	
7 12 14 -	1.83	2.43	3.04	-	7.30 (2.8 - 9.2)	2.22 (0.98 - 3.56)	3.29	7.3	5.9	A+	
7 12 18 -	1.68	2.24	3.78	-	7.70 (2.8 - 9.9)	2.22 (0.98 - 3.56)	3.47	7.7	5.8	A+	
7 12 24 -	1.51	2.01	4.28	-	7.80 (2.8 - 10.1)	2.19 (0.98 - 3.56)	3.56	7.8	5.8	A+	
7 14 14 -	1.68	2.81	2.81	-	7.30 (2.8 - 9.3)	2.22 (0.98 - 3.58)	3.29	7.3	5.9	A+	
7 14 18 -	1.57	2.61	3.52	-	7.70 (3.5 - 10.0)	2.22 (1.17 - 3.58)	3.47	7.7	5.8	A+	
7 14 24 -	1.44	2.39	4.07	-	7.90 (3.5 - 10.1)	2.20 (1.17 - 3.58)	3.59	7.9	5.8	A+	
7 18 18 -	1.42	3.19	3.19	-	7.80 (3.5 - 10.1)	2.22 (1.17 - 3.58)	3.51	7.8	5.7	A+	
7 18 24 -	1.30	2.92	3.68	-	7.90 (4.7 - 10.1)	2.22 (1.27 - 3.58)	3.56	7.9	5.7	A+	
9 9 9 -	2.40	2.40	2.40	-	7.20 (2.8 - 8.9)	2.22 (0.98 - 3.42)	3.24	7.2	5.9	A+	
9 9 12 -	2.26	2.26	2.68	-	7.20 (2.8 - 9.1)	2.22 (0.98 - 3.54)	3.24	7.2	5.9	A+	
9 9 14 -	2.10	2.10	3.11	-	7.30 (2.8 - 9.2)	2.22 (0.98 - 3.57)	3.29	7.3	5.9	A+	
9 9 18 -	1.93	1.93	3.85	-	7.70 (2.8 - 9.9)	2.22 (0.98 - 3.56)	3.47	7.7	5.8	A+	
9 9 24 -	1.73	1.73	4.35	-	7.80 (2.8 - 10.1)	2.20 (1.17 - 3.54)	3.55	7.8	5.8	A+	
9 12 12 -	2.14	2.53	2.53	-	7.20 (2.8 - 9.1)	2.22 (0.98 - 3.54)	3.24	7.2	5.9	A+	
9 12 14 -	1.99	2.36	2.95	-	7.30 (2.8 - 9.2)	2.22 (0.98 - 3.57)	3.29	7.3	5.9	A+	
9 12 18 -	1.84	2.18	3.68	-	7.70 (2.8 - 9.9)	2.22 (0.98 - 3.56)	3.47	7.7	5.8	A+	
9 12 24 -	1.66	1.97	4.18	-	7.80 (2.8 - 10.1)	2.19 (0.98 - 3.56)	3.56	7.8	5.8	A+	
9 14 14 -	1.84	2.73	2.73	-	7.30 (3.5 - 9.3)	2.22 (1.17 - 3.58)	3.29	7.3	5.9	A+	
9 14 18 -	1.74	2.58	3.48	-	7.80 (3.5 - 10.0)	2.22 (1.17 - 3.58)	3.51	7.8	5.8	A+	
9 14 24 -	1.58	2.34	3.98	-	7.90 (3.5 - 10.1)	2.22 (1.27 - 3.56)	3.56	7.9	5.8	A+	
9 18 18 -	1.56	3.12	3.12	-	7.80 (4.7 - 10.1)	2.22 (1.27 - 3.58)	3.51	7.8	5.7	A+	
12 12 12 -	2.43	2.43	2.43	-	7.30 (2.8 - 9.2)	2.22 (0.98 - 3.55)	3.29	7.3	5.9	A+	
12 12 14 -	2.28	2.28	2.85	-	7.40 (2.8 - 9.3)	2.22 (0.98 - 3.58)	3.33	7.4	5.9	A+	
12 12 18 -	2.12	2.12	3.57	-	7.80 (3.5 - 10.0)	2.22 (1.17 - 3.57)	3.51	7.8	5.8	A+	
12 12 24 -	1.92	1.92	4.07	-	7.90 (3.5 - 10.1)	2.20 (1.17 - 3.54)	3.59	7.9	5.8	A+	
12 14 14 -	2.11	2.64	2.64	-	7.40 (3.5 - 9.4)	2.22 (1.17 - 3.58)	3.33	7.4	5.9	A+	
12 14 18 -	1.98	2.48	3.34	-	7.80 (3.5 - 10.1)	2.22 (1.17 - 3.58)	3.51	7.8	5.8	A+	
12 18 18 -	1.81	3.05	3.05	-	7.90 (4.7 - 10.1)	2.22 (1.27 - 3.58)	3.56	7.9	5.7	A+	

Notes:

- 7:7000Btu/h, 9:9000Btu/h, 12:12000Btu/h, 14:14000Btu/h, 18:18000Btu/h, 24:24000Btu/h models.
- The above is the value for connecting with Wall Mounted type.
- 3 or more indoor units should be connected.
- Cooling capacity is based on 27 °CDB /19 °CWB (indoor temperature),35 °CDB (outdoor temperature).
- Pipe length : 5m, Height difference : 0m. (Outdoor unit to indoor unit)
- The total ability of connected a indoor unit is up to 49000 Btu from 27000 Btu.

OUTDOOR UNIT
AO*G30L4

OUTDOOR UNIT
AO*G30L4

Combination of indoor unit					COOLING OPERATION									
					Cooling Capacity					Input Power (min-max)	EER	Seasonal Data		
					Room 1	Room 2	Room 3	Room 4	Total Capacity (min-max)			Pdesign	SEER	Energy Efficiency Class
					KW	KW	KW	KW	KW	KW				
7	7	7	7	7	1.93	1.93	1.93	1.93	7.70 (1.6 - 9.6)	2.20 (0.68 - 3.41)	3.50	7.7	6.2	A++
7	7	7	9	9	1.89	1.89	1.89	2.13	7.80 (1.6 - 9.8)	2.22 (0.68 - 3.54)	3.51	7.8	6.2	A++
7	7	7	12	12	1.83	1.83	1.83	2.41	7.90 (1.6 - 9.9)	2.22 (0.68 - 3.54)	3.56	7.9	6.1	A++
7	7	7	14	14	1.70	1.70	1.70	2.80	7.90 (2.8 - 9.9)	2.22 (0.98 - 3.56)	3.56	7.9	6.1	A++
7	7	7	18	18	1.52	1.52	1.52	3.43	8.00 (2.8 - 10.1)	2.20 (0.98 - 3.55)	3.64	8.0	6.0	A+
7	7	9	9	9	1.86	1.86	2.09	2.09	7.90 (2.8 - 9.7)	2.22 (0.98 - 3.42)	3.56	7.9	6.2	A++
7	7	9	12	12	1.78	1.78	1.99	2.35	7.90 (2.8 - 9.9)	2.22 (0.98 - 3.55)	3.56	7.9	6.1	A++
7	7	9	14	14	1.68	1.68	1.88	2.76	8.00 (2.8 - 10.0)	2.22 (0.98 - 3.57)	3.60	8.0	6.1	A++
7	7	9	18	18	1.49	1.49	1.67	3.35	8.00 (3.5 - 10.1)	2.20 (1.17 - 3.55)	3.64	8.0	6.0	A+
7	7	12	12	12	1.72	1.72	2.28	2.28	8.00 (2.8 - 10.0)	2.22 (0.98 - 3.55)	3.60	8.0	6.1	A++
7	7	12	14	14	1.61	1.61	2.13	2.65	8.00 (2.8 - 10.0)	2.22 (0.98 - 3.57)	3.60	8.0	6.1	A++
7	7	12	18	18	1.43	1.43	1.91	3.22	8.00 (3.5 - 10.1)	2.20 (1.17 - 3.56)	3.64	8.0	6.0	A+
7	7	14	14	14	1.50	1.50	2.50	2.50	8.00 (3.5 - 10.1)	2.22 (1.17 - 3.58)	3.60	8.0	6.0	A+
7	7	14	18	18	1.35	1.35	2.25	3.04	8.00 (3.5 - 10.1)	2.22 (1.17 - 3.58)	3.60	8.0	6.0	A+
7	9	9	9	9	1.81	2.03	2.03	2.03	7.90 (2.8 - 9.9)	2.22 (0.98 - 3.56)	3.56	7.9	6.2	A++
7	9	9	12	12	1.76	1.96	1.96	2.32	8.00 (2.8 - 10.0)	2.22 (0.98 - 3.56)	3.60	8.0	6.1	A++
7	9	9	14	14	1.64	1.83	1.83	2.70	8.00 (3.5 - 10.1)	2.22 (1.17 - 3.58)	3.60	8.0	6.1	A++
7	9	9	18	18	1.45	1.64	1.64	3.27	8.00 (3.5 - 10.1)	2.22 (1.17 - 3.56)	3.60	8.0	6.0	A+
7	9	12	12	12	1.68	1.88	2.22	2.22	8.00 (2.8 - 10.0)	2.22 (0.98 - 3.56)	3.60	8.0	6.1	A++
7	9	12	14	14	1.57	1.76	2.08	2.59	8.00 (3.5 - 10.1)	2.22 (1.17 - 3.58)	3.60	8.0	6.0	A+
7	9	12	18	18	1.40	1.58	1.87	3.15	8.00 (3.5 - 10.1)	2.22 (1.17 - 3.56)	3.60	8.0	6.0	A+
7	9	14	14	14	1.48	1.66	2.43	2.43	8.00 (3.5 - 10.1)	2.22 (1.17 - 3.58)	3.60	8.0	6.0	A+
7	9	14	18	18	1.32	1.49	2.21	2.98	8.00 (4.7 - 10.1)	2.22 (1.27 - 3.57)	3.60	8.0	6.0	A+
7	12	12	12	12	1.61	2.13	2.13	2.13	8.00 (2.8 - 10.1)	2.22 (0.98 - 3.56)	3.60	8.0	6.0	A+
7	12	12	14	14	1.51	2.00	2.00	2.49	8.00 (3.5 - 10.1)	2.22 (1.17 - 3.58)	3.60	8.0	6.0	A+
7	12	12	18	18	1.35	1.80	1.80	3.04	8.00 (3.5 - 10.1)	2.22 (1.17 - 3.56)	3.60	8.0	6.0	A+
7	12	14	14	14	1.41	1.89	2.35	2.35	8.00 (3.5 - 10.1)	2.22 (1.17 - 3.58)	3.60	8.0	6.0	A+
9	9	9	9	9	2.00	2.00	2.00	2.00	8.00 (3.5 - 10.0)	2.22 (1.17 - 3.56)	3.60	8.0	6.2	A++
9	9	9	12	12	1.91	1.91	1.91	2.27	8.00 (3.5 - 10.0)	2.22 (1.17 - 3.56)	3.60	8.0	6.1	A++
9	9	9	14	14	1.79	1.79	1.79	2.63	8.00 (3.5 - 10.0)	2.22 (1.17 - 3.56)	3.60	8.0	6.0	A+
9	9	9	18*1	18*1	1.60	1.60	1.60	3.20	8.00 (4.7 - 10.0)	2.22 (1.17 - 3.56)	3.60	8.0	6.0	A+
9	9	12	12	12	1.83	1.83	2.17	2.17	8.00 (3.5 - 10.0)	2.22 (1.17 - 3.56)	3.60	8.0	6.0	A+
9	9	12	14	14	1.72	1.72	2.03	2.53	8.00 (3.5 - 10.0)	2.22 (1.17 - 3.56)	3.60	8.0	6.0	A+
9	9	12	18*2	18*2	1.54	1.54	1.83	3.09	8.00 (4.7 - 10.0)	2.22 (1.17 - 3.56)	3.60	8.0	6.0	A+
9	9	14	14	14	1.62	1.62	2.38	2.38	8.00 (4.7 - 10.0)	2.22 (1.17 - 3.56)	3.60	8.0	6.0	A+
9	12	12	12	12	1.76	2.08	2.08	2.08	8.00 (3.5 - 10.0)	2.22 (1.17 - 3.56)	3.60	8.0	6.0	A+
9	12	12	14	14	1.66	1.95	1.95	2.44	8.00 (3.5 - 10.0)	2.22 (1.17 - 3.56)	3.60	8.0	6.0	A+
9	12	14	14	14	1.55	1.85	2.30	2.30	8.00 (4.7 - 10.0)	2.22 (1.17 - 3.56)	3.60	8.0	6.0	A+
12	12	12	12	12	2.00	2.00	2.00	2.00	8.00 (3.5 - 10.0)	2.22 (1.17 - 3.56)	3.60	8.0	6.0	A+

Notes:

- 7:7000Btu/h, 9:9000Btu/h, 12:12000Btu/h, 14:14000Btu/h, 18:18000Btu/h, 24:24000Btu/h models.
- The above is the value for connecting with Wall Mounted type.
- 3 or more indoor units should be connected.
- Cooling capacity is based on 27 °CDB /19 °CWB (indoor temperature),35 °CDB (outdoor temperature).
- Pipe length : 5m, Height difference : 0m. (Outdoor unit to indoor unit)
- The total ability of connected a indoor unit is up to 49000 Btu from 27000 Btu.
- *1: Connection of "AR*G09L+AR*G09L+AR*G09L+AS*G18L " is not available. All types other than this combination can be connected.
- *2: Connection of "AR*G09L+AR*G09L+AR*G12L+AS*G18L " is not available. All types other than this combination can be connected.

● Heating

	Combination of indoor unit				HEATING OPERATION									
					Heating Capacity					Input Power (min-max)	COP	Seasonal Data		
					Room 1	Room 2	Room 3	Room 4	Total Capacity (min-max)			Pdesign	SCOP	Energy Efficiency Class
					KW	KW	KW	KW	KW	KW				
3 Room	7	7	14	-	2.42	2.42	4.15	-	9.00 (1.8 - 10.1)	2.66 (0.58 - 3.53)	3.38	5.8	3.8	A
	7	7	18	-	2.27	2.27	4.86	-	9.40 (3.3 - 11.2)	2.46 (0.87 - 3.52)	3.82	5.8	3.8	A
	7	7	24	-	2.03	2.03	5.44	-	9.50 (3.3 - 11.5)	2.47 (0.87 - 3.52)	3.85	5.8	3.8	A
	7	9	12	-	2.49	2.94	3.56	-	9.00 (1.8 - 10.0)	2.69 (0.58 - 3.51)	3.35	5.8	3.8	A
	7	9	14	-	2.33	2.75	4.00	-	9.10 (3.3 - 10.2)	2.64 (0.87 - 3.50)	3.45	5.8	3.8	A
	7	9	18	-	2.17	2.56	4.66	-	9.40 (3.3 - 11.3)	2.46 (0.87 - 3.50)	3.84	5.8	3.8	A
	7	9	24	-	1.98	2.33	5.29	-	9.60 (3.3 - 11.5)	2.46 (0.87 - 3.51)	3.90	5.8	3.8	A
	7	12	12	-	2.33	3.33	3.33	-	9.00 (1.8 - 10.1)	2.66 (0.58 - 3.48)	3.38	5.8	3.8	A
	7	12	14	-	2.22	3.17	3.80	-	9.20 (3.3 - 10.3)	2.62 (0.87 - 3.48)	3.51	5.8	3.8	A
	7	12	18	-	2.08	2.97	4.45	-	9.50 (3.3 - 11.4)	2.44 (0.87 - 3.47)	3.89	5.8	3.8	A
	7	12	24	-	1.88	2.69	5.03	-	9.60 (3.3 - 11.7)	2.45 (0.87 - 3.56)	3.92	5.8	3.8	A
	7	14	14	-	2.10	3.60	3.60	-	9.30 (3.3 - 10.6)	2.59 (0.87 - 3.48)	3.59	5.8	3.8	A
	7	14	18	-	1.96	3.35	4.19	-	9.50 (3.7 - 11.5)	2.42 (0.97 - 3.52)	3.93	5.8	3.8	A
	7	14	24	-	1.78	3.05	4.77	-	9.60 (3.3 - 11.7)	2.45 (0.87 - 3.56)	3.92	5.8	3.8	A
	7	18	18	-	1.82	3.89	3.89	-	9.60 (3.7 - 12.0)	2.40 (0.97 - 3.52)	4.00	5.8	3.8	A
	7	18	24	-	1.65	3.53	4.42	-	9.60 (4.3 - 12.0)	2.40 (1.12 - 3.52)	4.00	5.8	3.8	A
	9	9	9	-	3.00	3.00	3.00	-	9.00 (3.3 - 10.0)	2.69 (0.87 - 3.51)	3.35	5.8	3.8	A
	9	9	12	-	2.80	2.80	3.39	-	9.00 (3.3 - 10.1)	2.67 (0.87 - 3.48)	3.37	5.8	3.8	A
	9	9	14	-	2.66	2.66	3.87	-	9.20 (3.3 - 10.3)	2.63 (0.87 - 3.48)	3.50	5.8	3.8	A
	9	9	18	-	2.49	2.49	4.52	-	9.50 (3.7 - 11.4)	2.44 (0.97 - 3.48)	3.89	5.8	3.8	A
	9	9	24	-	2.25	2.25	5.11	-	9.60 (3.7 - 11.7)	2.45 (0.97 - 3.57)	3.92	5.8	3.8	A
	9	12	12	-	2.65	3.22	3.22	-	9.10 (3.3 - 10.3)	2.65 (0.87 - 3.52)	3.43	5.8	3.8	A
	9	12	14	-	2.53	3.07	3.69	-	9.30 (3.3 - 10.5)	2.61 (0.87 - 3.52)	3.56	5.8	3.8	A
	9	12	18	-	2.36	2.86	4.29	-	9.50 (3.7 - 11.4)	2.43 (0.97 - 3.47)	3.91	5.8	3.8	A
	9	12	24	-	2.14	2.59	4.86	-	9.60 (3.7 - 11.8)	2.44 (0.97 - 3.55)	3.93	5.8	3.8	A
	9	14	14	-	2.38	3.46	3.46	-	9.30 (3.7 - 10.7)	2.58 (0.97 - 3.46)	3.60	5.8	3.8	A
	9	14	18	-	2.22	3.23	4.04	-	9.50 (3.7 - 11.6)	2.41 (0.97 - 3.51)	3.94	5.8	3.8	A
	9	14	24	-	2.03	2.95	4.62	-	9.60 (4.3 - 11.9)	2.42 (1.12 - 3.57)	3.97	5.8	3.8	A
	9	18	18	-	2.07	3.76	3.76	-	9.60 (4.3 - 12.0)	2.40 (1.12 - 3.52)	4.00	5.8	3.8	A
	12	12	12	-	3.07	3.07	3.07	-	9.20 (3.3 - 10.3)	2.63 (0.87 - 3.49)	3.50	5.8	3.8	A
12	12	14	-	2.91	2.91	3.49	-	9.30 (3.3 - 10.6)	2.59 (0.87 - 3.49)	3.59	5.8	3.8	A	
12	12	18	-	2.71	2.71	4.07	-	9.50 (3.7 - 11.6)	2.42 (0.97 - 3.52)	3.93	5.8	3.8	A	
12	12	24	-	2.48	2.48	4.65	-	9.60 (3.7 - 11.8)	2.43 (0.97 - 3.54)	3.95	5.8	3.8	A	
12	14	14	-	2.76	3.32	3.32	-	9.40 (3.7 - 10.8)	2.40 (0.97 - 3.50)	3.92	5.8	3.8	A	
12	14	18	-	2.57	3.08	3.85	-	9.50 (3.7 - 11.6)	2.40 (0.97 - 3.49)	3.96	5.8	3.8	A	
12	18	18	-	2.40	3.60	3.60	-	9.60 (4.3 - 12.0)	2.40 (1.12 - 3.52)	4.00	5.8	3.8	A	

Notes:

- 7:7000Btu/h, 9:9000Btu/h, 12:12000Btu/h, 14:14000Btu/h, 18:18000Btu/h, 24:24000Btu/h models.
- The above is the value for connecting with Wall Mounted type.
- 3 or more indoor units should be connected.
- Heating capacity is based on 20 °CDB (indoor temperature), 7 °CDB/6 °CWB (outdoor temperature).
- Pipe length : 5m, Height difference : 0m. (Outdoor unit to indoor unit)
- The total ability of connected a indoor unit is up to 49000 Btu from 27000 Btu.

OUTDOOR UNIT
AO*G30L4

OUTDOOR UNIT
AO*G30L4

Combination of indoor unit					HEATING OPERATION									
					Heating Capacity					Input Power (min-max)	COP	Seasonal Data		
					Room 1	Room 2	Room 3	Room 4	Total Capacity (min-max)			Pdesign	SCOP	Energy Efficiency Class
					KW	KW	KW	KW	KW	KW				
4 Room	7	7	7	7	2.35	2.35	2.35	2.35	9.40 (1.8 - 10.8)	2.43 (0.58 - 3.47)	3.87	6.2	4.0	A+
	7	7	7	9	2.27	2.27	2.27	2.68	9.50 (1.8 - 10.9)	2.42 (0.58 - 3.51)	3.88	6.2	4.0	A+
	7	7	7	12	2.14	2.14	2.14	3.06	9.50 (1.8 - 11.1)	2.41 (0.58 - 3.55)	3.94	6.2	4.0	A+
	7	7	7	14	2.04	2.04	2.04	3.49	9.60 (3.3 - 11.3)	2.38 (0.87 - 3.56)	4.03	6.2	4.0	A+
	7	7	7	18	1.87	1.87	1.87	4.00	9.60 (3.3 - 12.0)	2.27 (0.87 - 3.56)	4.23	6.2	4.0	A+
	7	7	9	9	2.18	2.18	2.57	2.57	9.50 (3.3 - 10.9)	2.41 (0.87 - 3.44)	3.94	6.2	4.0	A+
	7	7	9	12	2.06	2.06	2.43	2.95	9.50 (3.3 - 11.1)	2.40 (0.87 - 3.54)	3.96	6.2	4.0	A+
	7	7	9	14	1.96	1.96	2.31	3.36	9.60 (3.3 - 11.4)	2.38 (0.87 - 3.54)	4.03	6.2	4.0	A+
	7	7	9	18	1.80	1.80	2.13	3.87	9.60 (3.7 - 12.0)	2.27 (0.97 - 3.55)	4.23	6.2	4.0	A+
	7	7	12	12	1.98	1.98	2.82	2.82	9.60 (3.3 - 11.3)	2.39 (0.87 - 3.57)	4.02	6.2	4.0	A+
	7	7	12	14	1.87	1.87	2.67	3.20	9.60 (3.3 - 11.5)	2.36 (0.87 - 3.58)	4.07	6.2	4.0	A+
	7	7	12	18	1.72	1.72	2.46	3.69	9.60 (3.7 - 12.0)	2.27 (0.97 - 3.58)	4.23	6.2	4.0	A+
	7	7	14	14	1.77	1.77	3.03	3.03	9.60 (3.7 - 11.8)	2.34 (0.97 - 3.58)	4.10	6.2	4.0	A+
	7	7	14	18	1.64	1.64	2.81	3.51	9.60 (3.7 - 12.0)	2.27 (0.97 - 3.56)	4.23	6.2	4.0	A+
	7	9	9	9	2.09	2.47	2.47	2.47	9.50 (3.3 - 11.2)	2.40 (0.87 - 3.54)	4.00	6.2	4.0	A+
	7	9	9	12	2.01	2.36	2.36	2.87	9.60 (3.3 - 11.3)	2.39 (0.87 - 3.58)	4.02	6.2	4.0	A+
	7	9	9	14	1.89	2.23	2.23	3.25	9.60 (3.7 - 11.5)	2.37 (0.97 - 3.58)	4.05	6.2	4.0	A+
	7	9	9	18	1.75	2.06	2.06	3.74	9.60 (3.7 - 12.0)	2.27 (0.97 - 3.58)	4.23	6.2	4.0	A+
	7	9	12	12	1.91	2.25	2.72	2.72	9.60 (3.3 - 11.4)	2.38 (0.87 - 3.58)	4.03	6.2	4.0	A+
	7	9	12	14	1.80	2.13	2.58	3.09	9.60 (3.7 - 11.6)	2.35 (0.97 - 3.58)	4.09	6.2	4.0	A+
	7	9	12	18	1.67	1.97	2.39	3.58	9.60 (3.7 - 12.0)	2.27 (0.97 - 3.58)	4.23	6.2	4.0	A+
	7	9	14	14	1.71	2.02	2.94	2.94	9.60 (3.7 - 11.8)	2.33 (0.97 - 3.58)	4.12	6.2	4.0	A+
	7	9	14	18	1.59	1.87	2.73	3.41	9.60 (4.3 - 12.0)	2.27 (1.12 - 3.58)	4.23	6.2	4.0	A+
	7	12	12	12	1.81	2.59	2.59	2.59	9.60 (3.3 - 11.5)	2.37 (0.87 - 3.58)	4.05	6.2	4.0	A+
	7	12	12	14	1.72	2.46	2.46	2.95	9.60 (3.7 - 11.7)	2.34 (0.97 - 3.58)	4.10	6.2	4.0	A+
	7	12	12	18	1.60	2.29	2.29	3.43	9.60 (3.7 - 12.0)	2.27 (0.97 - 3.56)	4.23	6.2	4.0	A+
	7	12	14	14	1.64	2.34	2.81	2.81	9.60 (3.7 - 11.9)	2.32 (0.97 - 3.58)	4.14	6.2	4.0	A+
	9	9	9	9	2.40	2.40	2.40	2.40	9.60 (3.7 - 11.3)	2.40 (0.97 - 3.58)	4.00	6.2	4.0	A+
	9	9	9	12	2.28	2.28	2.28	2.76	9.60 (3.7 - 11.4)	2.38 (0.97 - 3.58)	4.03	6.2	4.0	A+
	9	9	9	14	2.16	2.16	2.16	3.14	9.60 (3.7 - 11.6)	2.36 (0.97 - 3.58)	4.07	6.2	4.0	A+
9	9	9	18*1	1.99	1.99	1.99	3.62	9.60 (4.3 - 12.0)	2.27 (1.12 - 3.58)	4.23	6.2	4.0	A+	
9	9	12	12	2.17	2.17	2.63	2.63	9.60 (3.7 - 11.5)	2.37 (0.97 - 3.58)	4.05	6.2	4.0	A+	
9	9	12	14	2.06	2.06	2.49	2.99	9.60 (3.7 - 11.7)	2.35 (0.97 - 3.58)	4.09	6.2	4.0	A+	
9	9	12	18*2	1.91	1.91	2.31	3.47	9.60 (4.3 - 12.0)	2.27 (1.12 - 3.58)	4.23	6.2	4.0	A+	
9	9	14	14	1.96	1.96	2.84	2.84	9.60 (4.3 - 11.9)	2.33 (1.12 - 3.58)	4.12	6.2	4.0	A+	
9	12	12	12	2.07	2.51	2.51	2.51	9.60 (3.7 - 11.6)	2.36 (0.97 - 3.58)	4.07	6.2	4.0	A+	
9	12	12	14	1.97	2.39	2.39	2.87	9.60 (3.7 - 11.8)	2.34 (0.97 - 3.58)	4.10	6.2	4.0	A+	
9	12	14	14	1.87	2.27	2.73	2.73	9.60 (4.3 - 11.9)	2.31 (1.12 - 3.58)	4.16	6.2	4.0	A+	
12	12	12	12	2.40	2.40	2.40	2.40	9.60 (3.7 - 11.6)	2.35 (0.97 - 3.58)	4.09	6.2	4.0	A+	

Notes:

- 7:7000Btu/h, 9:9000Btu/h, 12:12000Btu/h, 14:14000Btu/h, 18:18000Btu/h, 24:24000Btu/h models.
- The above is the value for connecting with Wall Mounted type.
- 3 or more indoor units should be connected.
- Heating capacity is based on 20 °CDB (indoor temperature), 7 °CDB/6 °CWB (outdoor temperature).
- Pipe length : 5m, Height difference : 0m. (Outdoor unit to indoor unit)
- The total ability of connected a indoor unit is up to 49000 Btu from 27000 Btu.
- *1: Connection of "AR*G09L+AR*G09L+AR*G09L+AS*G18L " is not available. All types other than this combination can be connected.
- *2: Connection of "AR*G09L+AR*G09L+AR*G12L+AS*G18L " is not available. All types other than this combination can be connected.

5-2. COOLING CAPACITY

This table is created using the maximum capacity.
 Note: 3 or more indoor units should be connected.

■ MODEL: AO*G30L4

● Indoor unit : 7000Btu

		Indoor temperature																								
		18°CDB			21°CDB			23°CDB			25°CDB			27°CDB			29°CDB			30°CDB			32°CDB			
		°CWB			15°CWB			16°CWB			18°CWB			19°CWB			21°CWB			22°CWB			23°CWB			
7	Outdoor temperature (°CDB)	TC	SHC	IP	TC	SHC	IP	TC	SHC	IP	TC	SHC	IP	TC	SHC	IP	TC	SHC	IP	TC	SHC	IP	TC	SHC	IP	
		0	2.69	1.86	0.38	3.00	1.87	0.38	3.10	2.04	0.38	3.30	2.04	0.39	3.40	2.21	0.39	3.61	2.20	0.39	3.71	2.20	0.40	3.81	2.34	0.40
		5	2.59	1.82	0.46	2.89	1.83	0.47	2.99	1.99	0.47	3.18	1.99	0.47	3.28	2.15	0.48	3.48	2.14	0.48	3.58	2.14	0.48	3.68	2.28	0.49
		10	2.42	1.73	0.56	2.70	1.74	0.57	2.79	1.89	0.57	2.97	1.90	0.58	3.06	2.05	0.58	3.25	2.04	0.59	3.34	2.04	0.59	3.43	2.18	0.59
		15	2.29	1.67	0.65	2.56	1.68	0.66	2.64	1.83	0.67	2.82	1.83	0.68	2.90	1.98	0.68	3.08	1.97	0.69	3.17	1.97	0.69	3.25	2.10	0.69
		20	2.14	1.60	0.60	2.39	1.61	0.61	2.47	1.75	0.61	2.63	1.75	0.61	2.71	1.89	0.62	2.88	1.88	0.62	2.96	1.88	0.63	3.04	2.01	0.63
		25	2.08	1.56	0.64	2.31	1.57	0.65	2.39	1.71	0.65	2.55	1.72	0.66	2.63	1.85	0.66	2.79	1.85	0.67	2.87	1.84	0.67	2.95	1.97	0.67
		30	1.93	1.49	0.72	2.15	1.50	0.73	2.22	1.63	0.73	2.37	1.64	0.74	2.44	1.77	0.74	2.59	1.76	0.75	2.66	1.76	0.76	2.74	1.88	0.76
		35	2.13	1.59	0.96	2.38	1.60	0.97	2.46	1.74	0.98	2.62	1.75	0.99	2.70	1.89	0.99	2.86	1.88	1.00	2.94	1.87	1.00	3.02	2.00	1.01
		40	2.01	1.53	1.07	2.23	1.54	1.09	2.31	1.67	1.09	2.46	1.68	1.10	2.54	1.81	1.11	2.69	1.80	1.12	2.77	1.80	1.13	2.84	1.92	1.13
46	1.95	1.48	1.23	2.17	1.49	1.25	2.25	1.62	1.25	2.40	1.63	1.27	2.47	1.76	1.27	2.62	1.75	1.28	2.69	1.75	1.29	2.77	1.86	1.30		

● Indoor unit : 9000Btu

		Indoor temperature																								
		18°CDB			21°CDB			23°CDB			25°CDB			27°CDB			29°CDB			30°CDB			32°CDB			
		°CWB			15°CWB			16°CWB			18°CWB			19°CWB			21°CWB			22°CWB			23°CWB			
9	Outdoor temperature (°CDB)	TC	SHC	IP	TC	SHC	IP	TC	SHC	IP	TC	SHC	IP	TC	SHC	IP	TC	SHC	IP	TC	SHC	IP	TC	SHC	IP	
		0	2.71	1.97	0.39	3.02	1.99	0.40	3.13	2.16	0.40	3.33	2.17	0.41	3.44	2.34	0.41	3.64	2.33	0.41	3.74	2.33	0.41	3.85	2.48	0.42
		5	2.60	1.92	0.48	2.90	1.93	0.48	3.00	2.10	0.49	3.19	2.11	0.49	3.29	2.27	0.49	3.49	2.27	0.50	3.59	2.26	0.50	3.69	2.41	0.50
		10	2.46	1.85	0.58	2.74	1.86	0.59	2.83	2.02	0.59	3.02	2.03	0.59	3.11	2.19	0.60	3.30	2.19	0.60	3.39	2.18	0.61	3.48	2.33	0.61
		15	2.31	1.77	0.65	2.57	1.78	0.66	2.66	1.93	0.66	2.83	1.94	0.67	2.92	2.10	0.67	3.10	2.09	0.68	3.18	2.08	0.68	3.27	2.22	0.68
		20	2.63	1.92	0.74	2.93	1.93	0.75	3.03	2.10	0.75	3.23	2.11	0.76	3.32	2.27	0.76	3.52	2.26	0.77	3.62	2.26	0.77	3.72	2.41	0.78
		25	2.55	1.88	0.80	2.84	1.89	0.81	2.93	2.06	0.82	3.13	2.06	0.82	3.22	2.23	0.83	3.42	2.22	0.84	3.51	2.22	0.84	3.61	2.36	0.84
		30	2.36	1.79	0.89	2.63	1.80	0.91	2.72	1.96	0.91	2.90	1.97	0.92	2.99	2.13	0.93	3.17	2.12	0.94	3.26	2.11	0.94	3.35	2.26	0.94
		35	2.69	1.95	1.21	2.99	1.96	1.23	3.09	2.13	1.23	3.30	2.14	1.24	3.40	2.31	1.25	3.60	2.30	1.26	3.71	2.29	1.27	3.81	2.45	1.28
		40	2.52	1.87	1.35	2.81	1.88	1.37	2.91	2.04	1.38	3.10	2.05	1.39	3.20	2.21	1.40	3.39	2.21	1.41	3.48	2.20	1.42	3.58	2.35	1.43
46	2.34	1.71	1.56	2.61	1.72	1.58	2.70	1.87	1.59	2.87	1.88	1.60	2.96	2.03	1.61	3.14	2.02	1.63	3.23	2.02	1.64	3.32	2.15	1.65		

● Indoor unit : 12000Btu

		Indoor temperature																								
		18°CDB			21°CDB			23°CDB			25°CDB			27°CDB			29°CDB			30°CDB			32°CDB			
		°CWB			15°CWB			16°CWB			18°CWB			19°CWB			21°CWB			22°CWB			23°CWB			
12	Outdoor temperature (°CDB)	TC	SHC	IP	TC	SHC	IP	TC	SHC	IP	TC	SHC	IP	TC	SHC	IP	TC	SHC	IP	TC	SHC	IP	TC	SHC	IP	
		0	3.33	2.37	0.51	3.70	2.38	0.52	3.83	2.59	0.52	4.08	2.60	0.53	4.21	2.81	0.53	4.46	2.80	0.53	4.59	2.79	0.54	4.71	2.98	0.54
		5	3.16	2.29	0.61	3.52	2.31	0.61	3.64	2.51	0.62	3.88	2.52	0.62	4.00	2.72	0.63	4.24	2.71	0.63	4.36	2.70	0.64	4.48	2.88	0.64
		10	3.03	2.23	0.73	3.38	2.25	0.74	3.49	2.44	0.74	3.72	2.45	0.75	3.84	2.65	0.75	4.07	2.64	0.76	4.18	2.63	0.76	4.30	2.81	0.77
		15	2.81	2.09	0.76	3.13	2.11	0.78	3.24	2.29	0.78	3.45	2.30	0.79	3.56	2.48	0.79	3.77	2.47	0.80	3.88	2.47	0.80	3.98	2.63	0.81
		20	3.29	2.31	0.93	3.66	2.33	0.95	3.79	2.53	0.95	4.04	2.54	0.96	4.16	2.74	0.96	4.41	2.73	0.97	4.54	2.73	0.98	4.66	2.91	0.98
		25	3.18	2.26	1.04	3.55	2.28	1.05	3.67	2.48	1.06	3.91	2.49	1.07	4.03	2.68	1.07	4.27	2.67	1.08	4.39	2.67	1.09	4.51	2.85	1.09
		30	2.95	2.16	1.14	3.29	2.17	1.16	3.40	2.36	1.16	3.62	2.37	1.18	3.73	2.56	1.18	3.96	2.55	1.19	4.07	2.54	1.20	4.18	2.71	1.21
		35	3.00	2.18	1.35	3.34	2.19	1.37	3.46	2.38	1.38	3.69	2.39	1.39	3.80	2.58	1.40	4.03	2.57	1.41	4.14	2.57	1.42	4.26	2.74	1.43
		40	2.82	2.09	1.51	3.14	2.11	1.54	3.25	2.29	1.54	3.46	2.30	1.56	3.57	2.48	1.57	3.79	2.47	1.58	3.89	2.47	1.59	4.00	2.63	1.60
46	2.69	2.05	1.70	3.00	2.07	1.73	3.10	2.25	1.73	3.30	2.26	1.75	3.41	2.43	1.76	3.61	2.43	1.78	3.71	2.42	1.79	3.82	2.58	1.80		

● Indoor unit : 14000Btu

		Indoor temperature																								
		18°CDB			21°CDB			23°CDB			25°CDB			27°CDB			29°CDB			30°CDB			32°CDB			
		°CWB			15°CWB			16°CWB			18°CWB			19°CWB			21°CWB			22°CWB			23°CWB			
14	Outdoor temperature (°CDB)	TC	SHC	IP	TC	SHC	IP	TC	SHC	IP	TC	SHC	IP	TC	SHC	IP	TC	SHC	IP	TC	SHC	IP	TC	SHC	IP	
		0	3.28	2.64	0.54	3.66	2.66	0.55	3.78	2.89	0.55	4.03	2.90	0.55	4.16	3.13	0.56	4.41	3.12	0.56	4.53	3.12	0.57	4.66	3.32	0.57
		5	3.10	2.56	0.63	3.46	2.57	0.64	3.58	2.80	0.64	3.81	2.81	0.65	3.93	3.03	0.65	4.17	3.02	0.66	4.28	3.01	0.66	4.40	3.22	0.67
		10	3.01	2.51	0.75	3.35	2.53	0.77	3.47	2.75	0.77	3.70	2.76	0.78	3.81	2.98	0.78	4.04	2.97	0.79	4.15	2.96	0.79	4.27	3.16	0.80
		15	3.52	2.71	0.95	3.92	2.72	0.96	4.05	2.96	0.97	4.32	2.97	0.98	4.45	3.21	0.98	4.72	3.20	0.99	4.85	3.19	1.00	4.99	3.40	1.00
		20	3.68	2.78	1.06	4.09	2.80	1.08	4.23	3.04	1.08	4.51	3.05	1.09	4.65	3.30	1.10	4.93	3.28	1.11	5.07	3.28	1.11	5.21	3.50	1.12
		25	3.56	2.72	1.20	3.96	2.74	1.22	4.10	2.98	1.22	4.37	2.99	1.23	4.50	3.23	1.24	4.77	3.22	1.25	4.91	3.21	1.26	5.04	3.43	1.27
		30	3.29	2.60	1.31	3.67	2.61	1.33	3.79	2.84	1.33	4.04	2.85	1.35	4.17	3.08	1.36	4.42	3.07	1.37	4.54	3.06	1.38	4.67	3.27	1.38
		35	3.56	2.72	1.62	3.96	2.74	1.65	4.10	2.98	1.65	4.37	2.99	1.67	4.50	3.23	1.68	4.77	3.22	1.70	4.91	3.21	1.71	5.04	3.42	1.71
		40	3.34	2.61	1.82	3.72	2.63	1.84	3.85	2.86	1.85	4.10	2.87	1.87	4.23	3.10	1.88	4.48	3.09	1.90	4.61	3.08	1.91	4.74	3.29	1.92
46	2.93	2.28	1.87	3.26	2.30	1.90	3.37	2.50	1.91	3.59	2.51	1.93	3.70	2.71	1.94	3.92	2.70	1.96	4.04	2.69	1.97	4.15	2.87	1.98		

TC : Total Capacity (kW)
 SHC : Sensible Heat Capacity (kW)
 IP : Input Power (kW)

Note:3 or more indoor units should be connected.

Indoor unit : 18000Btu

		Indoor temperature																								
		18°CDB			21°CDB			23°CDB			25°CDB			27°CDB			29°CDB			30°CDB			32°CDB			
		°CDB		°CWB	12°CWB		15°CWB		16°CWB		18°CWB		19°CWB		21°CWB		22°CWB		23°CWB							
18	Outdoor temperature (°CDB)	TC	SHC	IP	TC	SHC	IP	TC	SHC	IP	TC	SHC	IP	TC	SHC	IP	TC	SHC	IP	TC	SHC	IP	TC	SHC	IP	
		0	4.21	3.26	0.75	4.69	3.29	0.76	4.85	3.57	0.76	5.17	3.58	0.77	5.33	3.87	0.77	5.65	3.85	0.78	5.81	3.85	0.78	5.97	4.10	0.79
		5	3.95	3.15	0.86	4.40	3.17	0.87	4.55	3.44	0.88	4.85	3.46	0.89	5.00	3.73	0.89	5.30	3.72	0.90	5.45	3.71	0.90	5.60	3.96	0.91
		10	3.90	3.13	1.01	4.34	3.15	1.03	4.49	3.42	1.04	4.78	3.43	1.05	4.93	3.70	1.05	5.23	3.69	1.06	5.38	3.68	1.07	5.52	3.93	1.07
		15	4.12	3.16	1.04	4.59	3.18	1.06	4.75	3.46	1.07	5.06	3.47	1.08	5.22	3.74	1.08	5.53	3.73	1.09	5.69	3.72	1.10	5.85	3.97	1.10
		20	4.58	3.36	1.31	5.10	3.38	1.33	5.27	3.68	1.34	5.62	3.69	1.35	5.80	3.98	1.36	6.14	3.97	1.37	6.32	3.96	1.38	6.49	4.23	1.38
		25	4.42	3.29	1.28	4.92	3.31	1.30	5.09	3.60	1.31	5.43	3.61	1.32	5.59	3.90	1.33	5.93	3.89	1.34	6.10	3.88	1.35	6.27	4.14	1.35
		30	4.09	3.14	1.41	4.55	3.16	1.43	4.71	3.44	1.43	5.02	3.45	1.45	5.17	3.73	1.46	5.49	3.71	1.47	5.64	3.71	1.48	5.80	3.95	1.49
		35	4.74	3.43	2.12	5.28	3.46	2.16	5.46	3.75	2.17	5.82	3.77	2.19	6.00	4.07	2.20	6.36	4.05	2.22	6.54	4.05	2.23	6.72	4.32	2.24
		40	4.46	3.30	2.38	4.96	3.32	2.41	5.13	3.60	2.43	5.47	3.62	2.45	5.64	3.91	2.46	5.98	3.89	2.49	6.15	3.88	2.50	6.32	4.14	2.51
46	3.39	2.74	1.87	3.78	2.76	1.90	3.91	3.00	1.91	4.17	3.01	1.93	4.30	3.25	1.94	4.55	3.24	1.96	4.68	3.23	1.97	4.81	3.45	1.98		

● Indoor unit : 24000Btu

		Indoor temperature																								
		18°CDB			21°CDB			23°CDB			25°CDB			27°CDB			29°CDB			30°CDB			32°CDB			
		°CDB		°CWB	12°CWB		15°CWB		16°CWB		18°CWB		19°CWB		21°CWB		22°CWB		23°CWB							
24	Outdoor temperature (°CDB)	TC	SHC	IP	TC	SHC	IP	TC	SHC	IP	TC	SHC	IP	TC	SHC	IP	TC	SHC	IP	TC	SHC	IP	TC	SHC	IP	
		0	4.83	3.77	1.08	5.38	3.80	1.10	5.57	4.13	1.11	5.94	4.14	1.12	6.12	4.47	1.12	6.49	4.46	1.13	6.67	4.45	1.14	6.85	4.74	1.15
		5	4.51	3.63	1.21	5.02	3.66	1.23	5.19	3.97	1.24	5.53	3.99	1.25	5.70	4.31	1.26	6.05	4.29	1.27	6.22	4.28	1.28	6.39	4.57	1.28
		10	4.54	3.65	1.42	5.05	3.67	1.44	5.23	3.99	1.44	5.57	4.00	1.46	5.74	4.32	1.47	6.09	4.31	1.48	6.26	4.30	1.49	6.43	4.59	1.50
		15	4.92	3.81	1.14	5.48	3.83	1.16	5.67	4.17	1.17	6.04	4.18	1.18	6.23	4.52	1.18	6.60	4.50	1.20	6.79	4.49	1.20	6.98	4.79	1.21
		20	6.30	4.40	1.67	7.02	4.42	1.69	7.26	4.81	1.70	7.74	4.83	1.72	7.97	5.21	1.73	8.45	5.19	1.75	8.69	5.18	1.76	8.93	5.53	1.76
		25	6.04	4.29	1.92	6.73	4.31	1.95	6.96	4.69	1.96	7.42	4.71	1.98	7.65	5.08	1.99	8.11	5.06	2.01	8.34	5.05	2.02	8.57	5.39	2.03
		30	5.59	4.10	2.09	6.23	4.12	2.12	6.44	4.48	2.13	6.87	4.50	2.16	7.08	4.85	2.17	7.50	4.84	2.19	7.72	4.83	2.20	7.93	5.15	2.21
		35	5.85	4.20	2.76	6.51	4.23	2.80	6.73	4.60	2.82	7.18	4.61	2.85	7.40	4.98	2.86	7.84	4.96	2.89	8.07	4.95	2.90	8.29	5.28	2.92
		40	4.92	3.81	2.52	5.48	3.84	2.56	5.67	4.17	2.57	6.04	4.19	2.60	6.23	4.52	2.61	6.60	4.50	2.64	6.79	4.50	2.65	6.97	4.80	2.66
46	4.10	3.43	2.26	4.56	3.45	2.29	4.72	3.75	2.30	5.03	3.76	2.33	5.18	4.06	2.34	5.50	4.05	2.36	5.65	4.04	2.38	5.81	4.31	2.39		

● Indoor unit : 7000Btu + 7000Btu

		Indoor temperature																								
		18°CDB			21°CDB			23°CDB			25°CDB			27°CDB			29°CDB			30°CDB			32°CDB			
		°CDB		°CWB	12°CWB		15°CWB		16°CWB		18°CWB		19°CWB		21°CWB		22°CWB		23°CWB							
7+7	Outdoor temperature (°CDB)	TC	SHC	IP	TC	SHC	IP	TC	SHC	IP	TC	SHC	IP	TC	SHC	IP	TC	SHC	IP	TC	SHC	IP	TC	SHC	IP	
		0	4.45	3.23	0.69	4.95	3.25	0.70	5.12	3.54	0.71	5.46	3.55	0.71	5.63	3.83	0.72	5.97	3.82	0.73	6.14	3.81	0.73	6.31	4.07	0.73
		5	4.20	3.11	0.81	4.68	3.13	0.83	4.84	3.41	0.83	5.16	3.42	0.84	5.32	3.69	0.84	5.64	3.68	0.85	5.80	3.67	0.86	5.96	3.92	0.86
		10	4.08	3.05	0.97	4.54	3.07	0.99	4.69	3.34	0.99	5.00	3.35	1.00	5.16	3.62	1.01	5.47	3.61	1.02	5.62	3.60	1.02	5.78	3.84	1.03
		15	4.00	3.02	0.98	4.46	3.04	0.99	4.61	3.30	1.00	4.91	3.31	1.01	5.07	3.58	1.01	5.37	3.56	1.02	5.52	3.56	1.03	5.67	3.79	1.03
		20	4.18	3.10	1.09	4.66	3.12	1.11	4.82	3.39	1.12	5.13	3.41	1.13	5.29	3.68	1.13	5.61	3.67	1.14	5.77	3.66	1.15	5.93	3.90	1.16
		25	4.05	3.04	1.23	4.51	3.06	1.25	4.66	3.32	1.26	4.97	3.34	1.27	5.12	3.60	1.28	5.43	3.59	1.29	5.58	3.58	1.30	5.74	3.82	1.31
		30	3.74	2.89	1.35	4.17	2.91	1.37	4.31	3.16	1.38	4.60	3.18	1.39	4.74	3.43	1.40	5.02	3.42	1.41	5.17	3.41	1.42	5.31	3.64	1.43
		35	4.11	3.16	1.56	4.58	3.18	1.59	4.73	3.46	1.60	5.04	3.47	1.61	5.20	3.75	1.62	5.51	3.74	1.64	5.67	3.73	1.64	5.82	3.98	1.65
		40	4.02	3.03	1.76	4.48	3.05	1.78	4.63	3.31	1.79	4.94	3.33	1.81	5.09	3.59	1.82	5.40	3.58	1.84	5.55	3.57	1.85	5.70	3.81	1.86
46	3.52	2.81	1.87	3.93	2.83	1.90	4.06	3.08	1.91	4.33	3.09	1.93	4.46	3.33	1.94	4.73	3.32	1.96	4.86	3.32	1.97	5.00	3.54	1.98		

● Indoor unit : 7000Btu + 9000Btu

		Indoor temperature																								
		18°CDB			21°CDB			23°CDB			25°CDB			27°CDB			29°CDB			30°CDB			32°CDB			
		°CDB		°CWB	12°CWB		15°CWB		16°CWB		18°CWB		19°CWB		21°CWB		22°CWB		23°CWB							
7+9	Outdoor temperature (°CDB)	TC	SHC	IP	TC	SHC	IP	TC	SHC	IP	TC	SHC	IP	TC	SHC	IP	TC	SHC	IP	TC	SHC	IP	TC	SHC	IP	
		0	4.48	3.47	0.71	4.99	3.49	0.72	5.16	3.79	0.72	5.50	3.81	0.73	5.67	4.11	0.73	6.01	4.10	0.74	6.18	4.09	0.75	6.35	4.36	0.75
		5	4.21	3.35	0.82	4.69	3.37	0.84	4.85	3.66	0.84	5.17	3.68	0.85	5.33	3.97	0.85	5.65	3.96	0.86	5.81	3.95	0.87	5.97	4.21	0.87
		10	4.12	3.31	0.98	4.59	3.33	0.99	4.75	3.62	1.00	5.06	3.63	1.01	5.22	3.92	1.01	5.53	3.91	1.02	5.69	3.90	1.03	5.85	4.16	1.03
		15	4.08	3.29	0.94	4.55	3.31	0.96	4.70	3.60	0.96	5.01	3.61	0.97	5.17	3.90	0.98	5.48	3.89	0.99	5.63	3.88	0.99	5.79	4.14	1.00
		20	4.71	3.58	1.20	5.25	3.60	1.22	5.43	3.91	1.22	5.78	3.93	1.23	5.96	4.24	1.24	6.32	4.22	1.25	6.50	4.21	1.26	6.68	4.50	1.27
		25	4.55	3.50	1.16	5.07	3.53	1.18	5.25	3.83	1.19	5.59	3.85	1.20	5.76	4.15	1.21	6.11	4.14	1.22	6.28	4.13	1.22	6.46	4.41	1.23
		30	4.21	3.35	1.28	4.69	3.37	1.30	4.85	3.66	1.31	5.17	3.68	1.32	5.33	3.97	1.33	5.65	3.96	1.34	5.81	3.95	1.35	5.97	4.21	1.35
		35	4.74	3.46	2.08	5.28	3.48	2.12	5.46	3.78	2.13	5.82	3.80	2.15	6.00	4.10	2.16	6.36	4.08	2.18	6.54	4.08	2.19	6.72	4.35	2.20
		40	4.60	3.18	2.33	5.12	3.20	2.37	5.30	3.48	2.38	5.65	3.49	2.41	5.82	3.77	2.42	6.17	3.75	2.44	6.34	3.75	2.46	6.52	4.00	2.47
46	3.59	2.95	1.87	4.00	2.97	1.90	4.13	3.23	1.91	4.41	3.24	1.93	4.54	3.50	1.94	4.81	3.48	1.96	4.95	3.48	1.97	5.09	3.71	1.98		

TC : Total Capacity (kW)
 SHC : Sensible Heat Capacity (kW)
 IP : Input Power (kW)

Note: 3 or more indoor units should be connected.

● Indoor unit : 7000Btu + 12000Btu

		Indoor temperature																										
		18°CDB			21°CDB			23°CDB			25°CDB			27°CDB			29°CDB			30°CDB			32°CDB					
		°CWB			12°CWB			15°CWB			16°CWB			18°CWB			19°CWB			21°CWB			22°CWB			23°CWB		
7+12	Outdoor temperature	(°CDB)	TC	SHC	IP	TC	SHC	IP	TC	SHC	IP	TC	SHC	IP	TC	SHC	IP	TC	SHC	IP	TC	SHC	IP	TC	SHC	IP		
		0	4.58	3.50	0.84	5.11	3.52	0.86	5.28	3.83	0.86	5.63	3.84	0.87	5.80	4.15	0.88	6.15	4.14	0.88	6.33	4.13	0.89	6.50	4.40	0.89		
		5	4.29	3.37	0.97	4.78	3.39	0.98	4.94	3.68	0.99	5.27	3.70	1.00	5.43	3.99	1.00	5.76	3.98	1.01	5.92	3.97	1.02	6.08	4.24	1.02		
		10	4.25	3.35	1.14	4.74	3.37	1.16	4.90	3.67	1.16	5.22	3.68	1.18	5.38	3.97	1.18	5.71	3.96	1.19	5.87	3.95	1.20	6.03	4.21	1.21		
		15	4.26	3.35	1.03	4.74	3.37	1.05	4.90	3.67	1.05	5.22	3.68	1.06	5.39	3.97	1.07	5.71	3.96	1.08	5.87	3.95	1.08	6.03	4.22	1.09		
		20	4.73	3.57	1.31	5.27	3.59	1.33	5.45	3.90	1.34	5.81	3.92	1.35	5.99	4.23	1.36	6.35	4.21	1.37	6.53	4.21	1.38	6.71	4.49	1.39		
		25	4.56	3.49	1.29	5.08	3.51	1.31	5.25	3.82	1.31	5.60	3.83	1.33	5.77	4.14	1.33	6.12	4.12	1.35	6.29	4.12	1.35	6.47	4.39	1.36		
		30	4.22	3.34	1.41	4.70	3.36	1.43	4.86	3.65	1.44	5.18	3.66	1.46	5.34	3.95	1.46	5.66	3.94	1.48	5.82	3.93	1.48	5.98	4.20	1.49		
		35	4.90	3.64	2.12	5.46	3.67	2.16	5.64	3.99	2.17	6.01	4.00	2.19	6.20	4.32	2.20	6.57	4.30	2.22	6.76	4.30	2.23	6.94	4.58	2.24		
		40	4.60	3.50	2.55	5.13	3.52	2.59	5.30	3.83	2.60	5.65	3.84	2.63	5.83	4.15	2.64	6.18	4.13	2.67	6.35	4.12	2.68	6.53	4.40	2.69		
46	3.68	3.16	1.90	4.10	3.18	1.93	4.24	3.45	1.94	4.52	3.47	1.96	4.66	3.74	1.97	4.94	3.73	1.99	5.08	3.72	2.00	5.22	3.97	2.01				

● Indoor unit : 7000Btu + 14000Btu

		Indoor temperature																										
		18°CDB			21°CDB			23°CDB			25°CDB			27°CDB			29°CDB			30°CDB			32°CDB					
		°CWB			12°CWB			15°CWB			16°CWB			18°CWB			19°CWB			21°CWB			22°CWB			23°CWB		
7+14	Outdoor temperature	(°CDB)	TC	SHC	IP	TC	SHC	IP	TC	SHC	IP	TC	SHC	IP	TC	SHC	IP	TC	SHC	IP	TC	SHC	IP	TC	SHC	IP		
		0	4.62	3.87	0.88	5.15	3.90	0.90	5.32	4.24	0.90	5.67	4.25	0.91	5.85	4.59	0.92	6.20	4.57	0.93	6.37	4.57	0.93	6.55	4.87	0.93		
		5	4.31	3.73	1.00	4.81	3.76	1.02	4.97	4.08	1.02	5.30	4.10	1.03	5.46	4.42	1.04	5.79	4.41	1.05	5.95	4.40	1.06	6.12	4.69	1.06		
		10	4.31	3.73	1.18	4.80	3.75	1.20	4.96	4.08	1.20	5.29	4.09	1.21	5.45	4.42	1.22	5.78	4.40	1.23	5.94	4.39	1.24	6.10	4.69	1.24		
		15	4.78	3.95	1.12	5.32	3.97	1.14	5.50	4.32	1.15	5.87	4.33	1.16	6.05	4.68	1.16	6.41	4.66	1.17	6.59	4.65	1.18	6.77	4.96	1.19		
		20	6.09	4.56	1.47	6.79	4.59	1.49	7.02	4.98	1.50	7.48	5.00	1.51	7.71	5.40	1.52	8.17	5.38	1.54	8.40	5.37	1.54	8.64	5.73	1.55		
		25	5.86	4.45	1.66	6.53	4.48	1.69	6.75	4.87	1.70	7.20	4.89	1.72	7.42	5.28	1.72	7.87	5.26	1.74	8.09	5.25	1.75	8.31	5.60	1.76		
		30	5.42	4.25	1.82	6.04	4.27	1.85	6.25	4.65	1.86	6.66	4.66	1.88	6.87	5.03	1.89	7.28	5.02	1.90	7.48	5.01	1.91	7.69	5.34	1.92		
		35	5.61	4.33	2.41	6.25	4.36	2.45	6.46	4.74	2.46	6.89	4.76	2.49	7.10	5.14	2.50	7.53	5.12	2.53	7.74	5.11	2.54	7.95	5.45	2.55		
		40	5.05	4.07	2.65	5.63	4.09	2.70	5.82	4.45	2.71	6.21	4.47	2.74	6.40	4.82	2.75	6.78	4.80	2.78	6.97	4.79	2.79	7.17	5.11	2.81		
46	3.75	3.30	2.13	4.17	3.32	2.17	4.32	3.60	2.18	4.60	3.62	2.20	4.74	3.91	2.21	5.03	3.89	2.23	5.17	3.88	2.24	5.31	4.14	2.25				

● Indoor unit : 7000Btu + 18000Btu

		Indoor temperature																										
		18°CDB			21°CDB			23°CDB			25°CDB			27°CDB			29°CDB			30°CDB			32°CDB					
		°CWB			12°CWB			15°CWB			16°CWB			18°CWB			19°CWB			21°CWB			22°CWB			23°CWB		
7+18	Outdoor temperature	(°CDB)	TC	SHC	IP	TC	SHC	IP	TC	SHC	IP	TC	SHC	IP	TC	SHC	IP	TC	SHC	IP	TC	SHC	IP	TC	SHC	IP		
		0	5.70	4.55	1.17	6.34	4.58	1.19	6.56	4.98	1.20	6.99	5.00	1.21	7.21	5.40	1.21	7.64	5.38	1.23	7.86	5.37	1.23	8.07	5.73	1.24		
		5	5.31	4.38	1.31	5.91	4.41	1.33	6.11	4.79	1.34	6.52	4.81	1.35	6.72	5.19	1.36	7.12	5.18	1.37	7.32	5.17	1.38	7.53	5.51	1.38		
		10	5.36	4.40	1.52	5.97	4.43	1.55	6.17	4.82	1.55	6.58	4.84	1.57	6.78	5.22	1.58	7.19	5.20	1.59	7.39	5.19	1.60	7.60	5.54	1.61		
		15	6.86	5.07	1.45	7.64	5.10	1.48	7.91	5.55	1.48	8.43	5.57	1.50	8.69	6.01	1.51	9.21	5.99	1.52	9.47	5.98	1.53	9.73	6.38	1.54		
		20	6.98	5.12	1.66	7.78	5.16	1.69	8.04	5.60	1.70	8.57	5.63	1.72	8.84	6.07	1.72	9.37	6.05	1.74	9.63	6.04	1.75	9.90	6.44	1.76		
		25	6.69	4.99	1.92	7.45	5.03	1.95	7.70	5.46	1.96	8.21	5.48	1.98	8.47	5.92	1.99	8.97	5.90	2.01	9.23	5.89	2.02	9.48	6.28	2.03		
		30	6.19	4.77	2.09	6.90	4.80	2.13	7.13	5.22	2.14	7.60	5.24	2.16	7.84	5.66	2.17	8.31	5.64	2.19	8.54	5.63	2.20	8.78	6.00	2.21		
		35	6.48	4.90	2.75	7.22	4.93	2.79	7.46	5.36	2.81	7.95	5.38	2.84	8.20	5.81	2.85	8.69	5.79	2.88	8.94	5.78	2.89	9.18	6.16	2.91		
		40	5.51	4.40	3.16	6.14	4.43	3.20	6.35	4.81	3.22	6.77	4.83	3.25	6.98	5.21	3.27	7.40	5.19	3.30	7.61	5.18	3.32	7.82	5.53	3.34		
46	3.87	3.57	2.26	4.32	3.59	2.29	4.46	3.91	2.30	4.76	3.92	2.33	4.90	4.23	2.34	5.20	4.22	2.36	5.34	4.21	2.38	5.49	4.49	2.39				

● Indoor unit : 7000Btu + 24000Btu

		Indoor temperature																										
		18°CDB			21°CDB			23°CDB			25°CDB			27°CDB			29°CDB			30°CDB			32°CDB					
		°CWB			12°CWB			15°CWB			16°CWB			18°CWB			19°CWB			21°CWB			22°CWB			23°CWB		
7+24	Outdoor temperature	(°CDB)	TC	SHC	IP	TC	SHC	IP	TC	SHC	IP	TC	SHC	IP	TC	SHC	IP	TC	SHC	IP	TC	SHC	IP	TC	SHC	IP		
		0	6.99	5.37	1.79	7.78	5.41	1.82	8.05	5.88	1.82	8.58	5.90	1.84	8.84	6.37	1.85	9.37	6.35	1.87	9.64	6.33	1.88	9.91	6.76	1.89		
		5	6.54	5.18	1.95	7.28	5.22	1.98	7.53	5.67	1.99	8.03	5.69	2.01	8.28	6.14	2.02	8.77	6.12	2.05	9.02	6.11	2.06	9.27	6.52	2.07		
		10	6.66	5.23	1.62	7.42	5.27	1.64	7.67	5.72	1.65	8.18	5.75	1.67	8.43	6.20	1.68	8.93	6.18	1.69	9.19	6.17	1.70	9.44	6.58	1.71		
		15	7.28	5.50	1.86	8.11	5.53	1.89	8.38	6.01	1.89	8.94	6.04	1.91	9.21	6.51	1.92	9.77	6.49	1.94	10.04	6.48	1.95	10.32	6.91	1.96		
		20	7.92	5.77	2.10	8.82	5.81	2.13	9.13	6.31	2.14	9.73	6.33	2.16	10.03	6.84	2.18	10.63	6.81	2.20	10.93	6.80	2.21	11.23	7.26	2.22		
		25	7.52	5.60	2.48	8.37	5.63	2.52	8.66	6.12	2.54	9.23	6.15	2.56	9.52	6.63	2.57	10.09	6.61	2.60	10.37	6.60	2.61	10.66	7.04	2.63		
		30	6.98	5.37	2.69	7.77	5.40	2.73	8.04	5.87	2.75	8.57	5.89	2.78	8.83	6.36	2.79	9.36	6.34	2.82	9.63	6.33	2.83	9.89	6.75	2.85		
		35	7.35	5.53	3.45	8.18	5.56	3.51	8.46	6.04	3.53	9.02	6.07	3.58	9.30	6.55	3.58	9.86	6.53	3.58	10.14	6.51	3.58	10.42	6.95	3.58		
		40	5.97	4.86	3.16	6.65	4.89	3.20	6.87	5.32	3.22	7.32	5.34	3.25	7.55	5.76	3.27	8.00	5.74	3.30	8.23	5.73	3.32	8.46	6.11	3.34		
46	4.06	3.98	2.26	4.53	4.01	2.29	4.68	4.36	2.30	4.99	4.37	2.33	5.14	4.72	2.34	5.45	4.71	2.36	5.61	4.70	2.38	5.76	5.01	2.39				

TC : Total Capacity (kW)
 SHC : Sensible Heat Capacity (kW)
 IP : Input Power (kW)

OUTDOOR UNIT
AO*G30L4

OUTDOOR UNIT
AO*G30L4

Note: 3 or more indoor units should be connected.

● Indoor unit : 9000Btu + 24000Btu

	°CDB	Indoor temperature																								
		18°CDB			21°CDB			23°CDB			25°CDB			27°CDB			29°CDB			30°CDB			32°CDB			
		°CWB		12°CWB	15°CWB		16°CWB		18°CWB		19°CWB		21°CWB		22°CWB		23°CWB									
9+24	Outdoor temperature (°CDB)	TC	SHC	IP	TC	SHC	IP	TC	SHC	IP	TC	SHC	IP	TC	SHC	IP	TC	SHC	IP	TC	SHC	IP	TC	SHC	IP	
		0	7.07	5.54	1.26	7.88	5.58	1.28	8.15	6.06	1.28	8.68	6.08	1.30	8.95	6.57	1.30	9.49	6.54	1.32	9.76	6.53	1.32	10.03	6.97	1.33
		5	6.64	5.36	1.60	7.40	5.39	1.62	7.65	5.86	1.63	8.15	5.88	1.65	8.41	6.35	1.66	8.91	6.33	1.67	9.16	6.32	1.68	9.41	6.74	1.69
		10	6.77	5.41	1.65	7.54	5.45	1.68	7.80	5.92	1.69	8.31	5.94	1.70	8.57	6.41	1.71	9.08	6.39	1.73	9.34	6.38	1.74	9.59	6.80	1.75
		15	7.76	5.83	1.96	8.64	5.87	1.99	8.93	6.38	2.00	9.52	6.40	2.02	9.82	6.91	2.03	10.41	6.89	2.05	10.70	6.87	2.06	11.00	7.33	2.07
		20	8.10	5.97	2.07	9.02	6.01	2.10	9.33	6.53	2.11	9.94	6.56	2.13	10.25	7.08	2.14	10.86	7.06	2.16	11.17	7.04	2.17	11.48	7.51	2.18
		25	8.42	6.11	2.71	9.38	6.15	2.75	9.70	6.68	2.77	10.34	6.71	2.80	10.66	7.24	2.81	11.29	7.22	2.84	11.61	7.20	2.85	11.93	7.68	2.87
		30	7.82	5.86	2.94	8.71	5.90	2.98	9.01	6.41	3.00	9.60	6.43	3.03	9.90	6.94	3.04	10.50	6.92	3.07	10.79	6.91	3.09	11.09	7.37	3.10
		35	7.51	5.72	3.40	8.36	5.76	3.45	8.65	6.26	3.47	9.22	6.28	3.50	9.50	6.78	3.52	10.07	6.76	3.56	10.36	6.75	3.58	10.64	7.20	3.58
		40	6.15	5.04	3.16	6.85	5.07	3.20	7.08	5.51	3.22	7.55	5.53	3.25	7.78	5.97	3.27	8.25	5.95	3.30	8.48	5.94	3.32	8.72	6.33	3.34
46	4.13	4.12	2.35	4.60	4.15	2.39	4.75	4.51	2.40	5.07	4.53	2.43	5.23	4.89	2.44	5.54	4.87	2.46	5.70	4.86	2.48	5.85	5.18	2.49		

● Indoor unit : 12000Btu + 12000Btu

	°CDB	Indoor temperature																								
		18°CDB			21°CDB			23°CDB			25°CDB			27°CDB			29°CDB			30°CDB			32°CDB			
		°CWB		12°CWB	15°CWB		16°CWB		18°CWB		19°CWB		21°CWB		22°CWB		23°CWB									
12+12	Outdoor temperature (°CDB)	TC	SHC	IP	TC	SHC	IP	TC	SHC	IP	TC	SHC	IP	TC	SHC	IP	TC	SHC	IP	TC	SHC	IP	TC	SHC	IP	
		0	4.77	3.80	1.06	5.31	3.82	1.08	5.49	4.15	1.08	5.86	4.17	1.09	6.04	4.50	1.10	6.40	4.49	1.11	6.58	4.48	1.12	6.76	4.78	1.12
		5	4.45	3.66	1.19	4.95	3.68	1.21	5.12	4.00	1.21	5.46	4.02	1.23	5.63	4.34	1.23	5.96	4.32	1.24	6.13	4.31	1.25	6.30	4.60	1.26
		10	4.48	3.67	1.39	4.99	3.70	1.41	5.16	4.02	1.41	5.50	4.03	1.43	5.67	4.35	1.44	6.01	4.34	1.45	6.18	4.33	1.46	6.35	4.62	1.46
		15	4.85	3.84	1.12	5.41	3.86	1.14	5.59	4.20	1.14	5.96	4.21	1.15	6.15	4.55	1.16	6.51	4.53	1.17	6.70	4.52	1.18	6.88	4.82	1.18
		20	5.81	4.25	1.53	6.48	4.28	1.55	6.70	4.65	1.56	7.14	4.67	1.58	7.36	5.04	1.58	7.80	5.02	1.60	8.02	5.01	1.61	8.24	5.35	1.62
		25	5.58	4.15	1.76	6.21	4.18	1.78	6.42	4.54	1.79	6.85	4.56	1.81	7.06	4.92	1.82	7.48	4.90	1.84	7.70	4.89	1.85	7.91	5.22	1.86
		30	5.16	3.97	1.92	5.75	3.99	1.95	5.94	4.34	1.96	6.34	4.36	1.98	6.53	4.70	1.98	6.92	4.69	2.00	7.12	4.68	2.01	7.32	4.99	2.02
		35	5.77	4.23	2.70	6.42	4.26	2.74	6.64	4.63	2.76	7.08	4.65	2.79	7.30	5.01	2.80	7.74	5.00	2.83	7.96	4.99	2.84	8.18	5.32	2.86
		40	5.44	3.77	2.97	6.06	3.80	3.02	6.27	4.13	3.03	6.68	4.14	3.06	6.89	4.47	3.08	7.30	4.46	3.11	7.51	4.45	3.13	7.72	4.74	3.14
46	3.84	3.50	2.35	4.28	3.52	2.39	4.43	3.83	2.40	4.72	3.84	2.43	4.86	4.15	2.44	5.16	4.14	2.46	5.30	4.13	2.48	5.45	4.40	2.49		

● Indoor unit : 12000Btu + 14000Btu

	°CDB	Indoor temperature																								
		18°CDB			21°CDB			23°CDB			25°CDB			27°CDB			29°CDB			30°CDB			32°CDB			
		°CWB		12°CWB	15°CWB		16°CWB		18°CWB		19°CWB		21°CWB		22°CWB		23°CWB									
12+14	Outdoor temperature (°CDB)	TC	SHC	IP	TC	SHC	IP	TC	SHC	IP	TC	SHC	IP	TC	SHC	IP	TC	SHC	IP	TC	SHC	IP	TC	SHC	IP	
		0	5.34	4.57	1.25	5.94	4.60	1.27	6.15	4.99	1.28	6.55	5.01	1.29	6.75	5.41	1.30	7.16	5.39	1.31	7.36	5.38	1.32	7.56	5.74	1.32
		5	4.97	4.40	1.39	5.54	4.43	1.41	5.73	4.81	1.42	6.11	4.83	1.44	6.29	5.22	1.44	6.67	5.20	1.46	6.86	5.19	1.46	7.05	5.54	1.47
		10	5.03	4.43	1.09	5.60	4.46	1.11	5.79	4.84	1.12	6.18	4.86	1.13	6.37	5.25	1.13	6.75	5.23	1.14	6.94	5.22	1.15	7.13	5.57	1.16
		15	6.45	5.07	1.55	7.19	5.10	1.57	7.44	5.54	1.58	7.93	5.57	1.60	8.17	6.01	1.60	8.66	5.99	1.62	8.91	5.98	1.63	9.15	6.37	1.64
		20	6.58	5.12	1.75	7.33	5.16	1.78	7.58	5.60	1.79	8.08	5.63	1.81	8.33	6.07	1.82	8.83	6.05	1.83	9.08	6.04	1.84	9.33	6.44	1.85
		25	6.29	5.00	2.03	7.01	5.03	2.06	7.25	5.46	2.07	7.73	5.49	2.09	7.97	5.92	2.10	8.44	5.90	2.13	8.68	5.89	2.14	8.92	6.28	2.15
		30	5.83	4.79	2.21	6.49	4.82	2.25	6.71	5.24	2.26	7.15	5.26	2.28	7.38	5.67	2.29	7.82	5.65	2.31	8.04	5.64	2.33	8.26	6.02	2.34
		35	6.72	5.19	3.18	7.48	5.22	3.23	7.74	5.67	3.25	8.25	5.69	3.28	8.50	6.15	3.30	9.01	6.12	3.33	9.27	6.11	3.35	9.52	6.52	3.37
		40	5.62	4.60	3.16	6.27	4.63	3.20	6.48	5.03	3.22	6.91	5.05	3.25	7.12	5.45	3.27	7.55	5.43	3.30	7.76	5.42	3.32	7.97	5.79	3.34
46	3.91	3.64	2.35	4.35	3.66	2.39	4.50	3.98	2.40	4.80	4.00	2.43	4.94	4.31	2.44	5.24	4.30	2.46	5.39	4.29	2.48	5.54	4.58	2.49		

● Indoor unit : 12000Btu + 18000Btu

	°CDB	Indoor temperature																								
		18°CDB			21°CDB			23°CDB			25°CDB			27°CDB			29°CDB			30°CDB			32°CDB			
		°CWB		12°CWB	15°CWB		16°CWB		18°CWB		19°CWB		21°CWB		22°CWB		23°CWB									
12+18	Outdoor temperature (°CDB)	TC	SHC	IP	TC	SHC	IP	TC	SHC	IP	TC	SHC	IP	TC	SHC	IP	TC	SHC	IP	TC	SHC	IP	TC	SHC	IP	
		0	6.87	5.26	1.73	7.65	5.29	1.76	7.91	5.75	1.77	8.44	5.77	1.79	8.70	6.23	1.80	9.22	6.21	1.82	9.48	6.20	1.82	9.74	6.61	1.83
		5	6.42	5.07	1.90	7.15	5.10	1.93	7.40	5.54	1.94	7.88	5.56	1.96	8.13	6.00	1.97	8.61	5.98	1.99	8.86	5.97	2.00	9.10	6.37	2.01
		10	6.53	5.11	1.56	7.28	5.15	1.58	7.53	5.59	1.59	8.02	5.61	1.61	8.27	6.06	1.62	8.77	6.04	1.63	9.01	6.03	1.64	9.26	6.43	1.65
		15	7.14	5.37	1.80	7.95	5.41	1.83	8.22	5.87	1.84	8.76	5.90	1.86	9.04	6.36	1.87	9.58	6.34	1.89	9.85	6.33	1.90	10.12	6.75	1.91
		20	7.75	5.63	2.06	8.63	5.67	2.09	8.93	6.16	2.11	9.52	6.18	2.13	9.81	6.67	2.14	10.40	6.65	2.16	10.69	6.64	2.17	10.99	7.08	2.18
		25	7.37	5.47	2.43	8.21	5.50	2.47	8.49	5.98	2.48	9.05	6.00	2.51	9.33	6.48	2.52	9.89	6.46	2.54	10.17	6.45	2.56	10.45	6.88	2.57
		30	6.83	5.24	2.64	7.61	5.27	2.68	7.87	5.73	2.69	8.39	5.75	2.72	8.65	6.21	2.73	9.17	6.19	2.76	9.43	6.18	2.77	9.69	6.59	2.79
		35	7.19	5.39	3.40	8.01	5.43	3.45	8.28	5.90	3.47	8.83	5.92	3.50	9.10	6.39	3.52	9.65	6.37	3.56	9.92	6.36	3.58	10.19	6.78	3.58
		40	5.87	4.75	3.16	6.54	4.78	3.20	6.77	5.19	3.22	7.21	5.21	3.25	7.44	5.62	3.27	7.88	5.60	3.30	8.11	5.59	3.32	8.33	5.97	3.34
46	4.03	3.92	2.35	4.49	3.94	2.39	4.65	4.28	2.40	4.95	4.30	2.43	5.10	4.64	2.44	5.41	4.62	2.46	5.56	4.62	2.48	5.72	4.92	2.49		

TC : Total Capacity (kW)
SHC : Sensible Heat Capacity (kW)
IP : Input Power (kW)

OUTDOOR UNIT
AO*G30L4

OUTDOOR UNIT
AO*G30L4

Note: 3 or more indoor units should be connected.

● Indoor unit : 12000Btu + 24000Btu

	Indoor temperature																										
	°CDB			18°CDB			21°CDB			23°CDB			25°CDB			27°CDB			29°CDB			30°CDB			32°CDB		
	°CWB			12°CWB			15°CWB			16°CWB			18°CWB			19°CWB			21°CWB			22°CWB			23°CWB		
	(°CDB)	TC	SHC	IP	TC	SHC	IP	TC	SHC	IP	TC	SHC	IP	TC	SHC	IP	TC	SHC	IP	TC	SHC	IP	TC	SHC	IP		
12+24	Outdoor temperature	0	7.47	5.77	1.43	8.32	5.80	1.45	8.61	6.31	1.46	9.17	6.33	1.47	9.46	6.83	1.48	10.03	6.81	1.50	10.31	6.80	1.50	10.59	7.25	1.51	
		5	7.06	5.60	1.72	7.87	5.63	1.74	8.14	6.12	1.75	8.67	6.14	1.77	8.94	6.63	1.78	9.48	6.61	1.80	9.75	6.60	1.81	10.02	7.04	1.82	
		10	7.19	5.65	1.87	8.01	5.68	1.90	8.28	6.18	1.91	8.83	6.20	1.93	9.10	6.69	1.94	9.65	6.67	1.96	9.92	6.66	1.97	10.19	7.10	1.97	
		15	7.70	5.86	2.02	8.57	5.90	2.05	8.86	6.41	2.06	9.45	6.43	2.09	9.74	6.94	2.10	10.33	6.92	2.12	10.62	6.91	2.13	10.91	7.37	2.14	
		20	8.10	6.03	2.07	9.02	6.07	2.10	9.33	6.59	2.11	9.95	6.62	2.13	10.26	7.15	2.15	10.87	7.12	2.17	11.18	7.11	2.18	11.49	7.58	2.19	
		25	8.37	6.14	2.75	9.32	6.18	2.79	9.64	6.72	2.81	10.28	6.74	2.84	10.60	7.28	2.85	11.23	7.25	2.88	11.55	7.24	2.89	11.87	7.72	2.91	
		30	7.80	5.90	2.97	8.68	5.94	3.02	8.98	6.45	3.03	9.57	6.48	3.06	9.87	6.99	3.08	10.46	6.97	3.11	10.76	6.96	3.12	11.05	7.42	3.14	
		35	7.51	5.78	3.40	8.36	5.82	3.45	8.65	6.32	3.47	9.22	6.35	3.50	9.50	6.85	3.52	10.07	6.82	3.56	10.36	6.81	3.58	10.64	7.27	3.58	
		40	6.42	5.09	3.16	7.15	5.12	3.20	7.40	5.56	3.22	7.88	5.58	3.25	8.13	6.03	3.27	8.62	6.01	3.30	8.86	6.00	3.32	9.10	6.40	3.34	
		46	4.22	4.22	2.35	4.70	4.36	2.39	4.86	4.73	2.40	5.19	4.75	2.43	5.35	5.13	2.44	5.67	5.11	2.46	5.83	5.10	2.48	5.99	5.44	2.49	

● Indoor unit : 14000Btu + 14000Btu

	Indoor temperature																										
	°CDB			18°CDB			21°CDB			23°CDB			25°CDB			27°CDB			29°CDB			30°CDB			32°CDB		
	°CWB			12°CWB			15°CWB			16°CWB			18°CWB			19°CWB			21°CWB			22°CWB			23°CWB		
	(°CDB)	TC	SHC	IP	TC	SHC	IP	TC	SHC	IP	TC	SHC	IP	TC	SHC	IP	TC	SHC	IP	TC	SHC	IP	TC	SHC	IP		
14+14	Outdoor temperature	0	5.59	5.01	1.33	6.22	5.05	1.35	6.43	5.48	1.35	6.86	5.50	1.37	7.07	5.94	1.37	7.50	5.92	1.39	7.71	5.91	1.39	7.92	6.30	1.40	
		5	5.21	4.84	1.46	5.80	4.87	1.49	6.00	5.29	1.50	6.40	5.31	1.51	6.60	5.74	1.52	6.99	5.72	1.53	7.19	5.70	1.54	7.39	6.09	1.55	
		10	5.29	4.88	1.18	5.89	4.91	1.19	6.09	5.33	1.20	6.50	5.35	1.21	6.70	5.78	1.22	7.10	5.76	1.23	7.30	5.75	1.24	7.50	6.13	1.24	
		15	6.81	5.58	1.63	7.58	5.61	1.66	7.84	6.10	1.67	8.36	6.12	1.69	8.62	6.61	1.69	9.13	6.59	1.71	9.39	6.57	1.72	9.65	7.01	1.73	
		20	7.30	5.81	1.90	8.13	5.84	1.92	8.41	6.35	1.93	8.97	6.38	1.95	9.24	6.88	1.96	9.80	6.86	1.98	10.07	6.84	1.99	10.35	7.30	2.00	
		25	6.96	5.65	2.22	7.76	5.69	2.25	8.02	6.18	2.26	8.55	6.20	2.28	8.82	6.70	2.30	9.35	6.67	2.32	9.61	6.66	2.33	9.87	7.11	2.34	
		30	6.45	5.41	2.41	7.19	5.45	2.45	7.43	5.92	2.46	7.92	5.94	2.48	8.17	6.42	2.50	8.66	6.39	2.52	8.90	6.38	2.53	9.15	6.81	2.55	
		35	7.11	5.72	3.28	7.92	5.75	3.33	8.19	6.25	3.35	8.73	6.28	3.38	9.00	6.78	3.40	9.54	6.75	3.43	9.81	6.74	3.45	10.08	7.19	3.47	
		40	5.78	4.95	3.04	6.44	4.99	3.09	6.66	5.42	3.10	7.10	5.44	3.13	7.32	5.87	3.15	7.76	5.85	3.18	7.98	5.84	3.20	8.20	6.23	3.21	
		46	3.97	3.78	2.35	4.42	3.80	2.39	4.57	4.13	2.40	4.87	4.15	2.43	5.02	4.48	2.44	5.33	4.46	2.46	5.48	4.45	2.48	5.63	4.75	2.49	

● Indoor unit : 14000Btu + 18000Btu

	Indoor temperature																										
	°CDB			18°CDB			21°CDB			23°CDB			25°CDB			27°CDB			29°CDB			30°CDB			32°CDB		
	°CWB			12°CWB			15°CWB			16°CWB			18°CWB			19°CWB			21°CWB			22°CWB			23°CWB		
	(°CDB)	TC	SHC	IP	TC	SHC	IP	TC	SHC	IP	TC	SHC	IP	TC	SHC	IP	TC	SHC	IP	TC	SHC	IP	TC	SHC	IP		
14+18	Outdoor temperature	0	6.95	5.59	1.23	7.75	5.63	1.25	8.01	6.11	1.26	8.54	6.14	1.27	8.80	6.62	1.27	9.33	6.60	1.29	9.60	6.59	1.29	9.86	7.03	1.30	
		5	6.52	5.40	1.59	7.26	5.43	1.62	7.51	5.90	1.63	8.00	5.93	1.64	8.25	6.40	1.65	8.75	6.37	1.67	8.99	6.36	1.68	9.24	6.79	1.69	
		10	6.64	5.45	1.62	7.40	5.49	1.65	7.65	5.96	1.66	8.15	5.99	1.67	8.41	6.46	1.68	8.91	6.44	1.70	9.16	6.43	1.71	9.41	6.86	1.71	
		15	7.61	5.88	1.94	8.48	5.92	1.97	8.77	6.43	1.98	9.35	6.45	2.00	9.64	6.97	2.01	10.21	6.94	2.03	10.50	6.93	2.04	10.79	7.39	2.05	
		20	7.92	6.01	2.07	8.83	6.05	2.10	9.13	6.58	2.11	9.73	6.60	2.13	10.03	7.13	2.14	10.63	7.10	2.16	10.93	7.09	2.17	11.23	7.56	2.18	
		25	7.50	5.83	2.45	8.36	5.87	2.49	8.64	6.38	2.51	9.21	6.40	2.53	9.50	6.91	2.54	10.07	6.89	2.57	10.35	6.87	2.58	10.64	7.33	2.59	
		30	6.97	5.60	2.66	7.76	5.63	2.70	8.03	6.12	2.71	8.56	6.14	2.74	8.82	6.63	2.75	9.35	6.61	2.78	9.62	6.60	2.80	9.88	7.04	2.81	
		35	7.35	5.76	3.40	8.18	5.80	3.45	8.46	6.30	3.47	9.02	6.33	3.50	9.30	6.83	3.52	9.86	6.80	3.56	10.14	6.79	3.58	10.42	7.25	3.58	
		40	6.06	5.07	3.16	6.75	5.10	3.20	6.98	5.55	3.22	7.44	5.57	3.25	7.67	6.01	3.27	8.13	5.99	3.30	8.36	5.98	3.32	8.59	6.38	3.34	
		46	4.10	4.05	2.35	4.56	4.08	2.39	4.72	4.43	2.40	5.03	4.45	2.43	5.18	4.80	2.44	5.50	4.79	2.46	5.65	4.78	2.48	5.81	5.10	2.49	

● Indoor unit : 14000Btu + 24000Btu

	Indoor temperature																										
	°CDB			18°CDB			21°CDB			23°CDB			25°CDB			27°CDB			29°CDB			30°CDB			32°CDB		
	°CWB			12°CWB			15°CWB			16°CWB			18°CWB			19°CWB			21°CWB			22°CWB			23°CWB		
	(°CDB)	TC	SHC	IP	TC	SHC	IP	TC	SHC	IP	TC	SHC	IP	TC	SHC	IP	TC	SHC	IP	TC	SHC	IP	TC	SHC	IP		
14+24	Outdoor temperature	0	7.95	6.43	1.56	8.85	6.47	1.58	9.15	7.03	1.59	9.76	7.05	1.61	10.06	7.61	1.62	10.66	7.59	1.63	10.96	7.57	1.64	11.26	8.08	1.65	
		5	7.56	6.25	1.81	8.42	6.29	1.84	8.70	6.84	1.85	9.28	6.87	1.86	9.57	7.41	1.87	10.14	7.38	1.89	10.43	7.37	1.90	10.71	7.86	1.91	
		10	7.67	6.30	2.03	8.55	6.34	2.06	8.84	6.89	2.07	9.42	6.92	2.09	9.71	7.47	2.10	10.29	7.44	2.12	10.58	7.43	2.13	10.88	7.93	2.14	
		15	8.41	6.63	2.22	9.37	6.67	2.26	9.69	7.25	2.27	10.33	7.28	2.29	10.65	7.86	2.31	11.29	7.83	2.33	11.61	7.82	2.34	11.93	8.34	2.35	
		20	8.28	6.57	2.07	9.22	6.61	2.11	9.53	7.19	2.12	10.16	7.21	2.14	10.48	7.79	2.15	11.11	7.76	2.17	11.42	7.75	2.18	11.74	8.26	2.19	
		25	8.84	6.82	2.89	9.85	6.87	2.93	10.19	7.46	2.94	10.86	7.49	2.97	11.20	8.08	2.99	11.87	8.06	3.02	12.20	8.04	3.03	12.54	8.58	3.05	
		30	8.25	6.56	3.11	9.19	6.60	3.16	9.51	7.18	3.17	10.13	7.20	3.21	10.45	7.78	3.22	11.07	7.75	3.25	11.39	7.73	3.27	11.70	8.25	3.29	
		35	7.66	6.30	3.40	8.54	6.34	3.45	8.83	6.89	3.47	9.41	6.92	3.50	9.70	7.47	3.52	10.28	7.44	3.56	10.57	7.43	3.58	10.86	7.92	3.58	
		40	6.60	5.54	3.16	7.36	5.58	3.20	7.61	6.06	3.22	8.11	6.09	3.25	8.36	6.57	3.27	8.86	6.55	3.30	9.11	6.54	3.32	9.36	6.97	3.34	
		46	4.29	4.29	2.35	4.77	4.50	2.39	4.94	4.89	2.40	5.26	4.90	2.43	5.43	5.29	2.44	5.75	5.27	2.46	5.91	5.27	2.48	6.08	5.62	2.49	

TC : Total Capacity (kW)
SHC : Sensible Heat Capacity (kW)
IP : Input Power (kW)

Note: 3 or more indoor units should be connected.

● Indoor unit : 18000Btu + 18000Btu

		Indoor temperature																								
		18°CDB			21°CDB			23°CDB			25°CDB			27°CDB			29°CDB			30°CDB			32°CDB			
		°CWB			15°CWB			16°CWB			18°CWB			19°CWB			21°CWB			22°CWB			23°CWB			
18+18	Outdoor temperature	(°CDB)	TC	SHC	IP	TC	SHC	IP	TC	SHC	IP	TC	SHC	IP	TC	SHC	IP	TC	SHC	IP	TC	SHC	IP	TC	SHC	IP
		0	7.63	6.14	1.43	8.50	6.18	1.45	8.79	6.71	1.46	9.37	6.74	1.47	9.66	7.28	1.48	10.24	7.25	1.50	10.53	7.24	1.50	10.82	7.72	1.51
		5	7.21	5.96	1.72	8.04	6.00	1.74	8.31	6.51	1.75	8.86	6.54	1.77	9.13	7.06	1.78	9.68	7.03	1.80	9.95	7.02	1.81	10.23	7.49	1.82
		10	7.34	6.01	1.87	8.18	6.05	1.90	8.46	6.58	1.91	9.01	6.60	1.93	9.29	7.13	1.94	9.85	7.10	1.96	10.13	7.09	1.97	10.41	7.56	1.97
		15	8.46	6.50	2.18	9.43	6.54	2.21	9.75	7.11	2.22	10.39	7.14	2.25	10.71	7.71	2.26	11.35	7.68	2.28	11.68	7.66	2.29	12.00	8.18	2.30
		20	8.27	6.42	2.07	9.21	6.46	2.10	9.53	7.02	2.11	10.16	7.05	2.13	10.47	7.61	2.15	11.10	7.58	2.17	11.41	7.57	2.18	11.73	8.07	2.19
		25	8.55	6.54	2.75	9.52	6.58	2.79	9.84	7.15	2.81	10.49	7.18	2.84	10.82	7.75	2.85	11.47	7.72	2.88	11.79	7.71	2.89	12.12	8.22	2.91
		30	7.96	6.28	2.97	8.87	6.32	3.02	9.17	6.87	3.03	9.77	6.90	3.06	10.08	7.45	3.08	10.68	7.42	3.11	10.98	7.41	3.12	11.29	7.90	3.14
		35	7.66	6.15	3.40	8.54	6.19	3.45	8.83	6.73	3.47	9.41	6.76	3.50	9.70	7.29	3.52	10.28	7.27	3.56	10.57	7.25	3.58	10.86	7.74	3.58
		40	6.42	5.42	3.16	7.15	5.45	3.20	7.40	5.92	3.22	7.88	5.95	3.25	8.13	6.42	3.27	8.62	6.39	3.30	8.86	6.38	3.32	9.10	6.81	3.34
46	4.22	4.22	2.35	4.70	4.36	2.39	4.86	4.73	2.40	5.19	4.75	2.43	5.35	5.13	2.44	5.67	5.11	2.46	5.83	5.10	2.48	5.99	5.44	2.49		

● Indoor unit : 18000Btu + 24000Btu

		Indoor temperature																								
		18°CDB			21°CDB			23°CDB			25°CDB			27°CDB			29°CDB			30°CDB			32°CDB			
		°CWB			15°CWB			16°CWB			18°CWB			19°CWB			21°CWB			22°CWB			23°CWB			
18+24	Outdoor temperature	(°CDB)	TC	SHC	IP	TC	SHC	IP	TC	SHC	IP	TC	SHC	IP	TC	SHC	IP	TC	SHC	IP	TC	SHC	IP	TC	SHC	IP
		0	8.64	6.82	1.81	9.63	6.87	1.84	9.96	7.46	1.85	10.61	7.49	1.86	10.94	8.09	1.87	11.60	8.06	1.89	11.93	8.04	1.90	12.25	8.58	1.91
		5	8.34	6.69	1.96	9.29	6.74	1.99	9.61	7.32	2.00	10.24	7.35	2.02	10.56	7.93	2.03	11.19	7.90	2.05	11.51	7.89	2.06	11.83	8.42	2.08
		10	8.40	6.72	2.02	9.35	6.76	2.05	9.67	7.35	2.06	10.31	7.37	2.08	10.63	7.96	2.10	11.27	7.93	2.12	11.59	7.92	2.13	11.91	8.45	2.14
		15	8.48	6.75	1.80	9.45	6.80	1.83	9.77	7.39	1.84	10.42	7.42	1.85	10.74	8.00	1.86	11.38	7.98	1.88	11.71	7.96	1.89	12.03	8.49	1.90
		20	8.46	6.75	2.08	9.43	6.79	2.11	9.75	7.38	2.12	10.39	7.41	2.14	10.71	7.99	2.15	11.35	7.97	2.18	11.68	7.95	2.19	12.00	8.48	2.20
		25	8.95	6.95	2.94	9.97	7.00	2.98	10.31	7.61	3.00	10.99	7.64	3.03	11.33	8.24	3.05	12.01	8.21	3.08	12.35	8.20	3.09	12.69	8.74	3.11
		30	8.39	6.71	3.16	9.34	6.76	3.21	9.66	7.34	3.22	10.30	7.37	3.26	10.62	7.96	3.27	11.25	7.93	3.30	11.57	7.91	3.32	11.89	8.44	3.34
		35	7.82	6.47	3.40	8.71	6.51	3.45	9.01	7.07	3.47	9.60	7.10	3.50	9.90	7.67	3.52	10.49	7.64	3.56	10.79	7.62	3.58	11.09	8.13	3.58
		40	6.97	5.69	3.16	7.76	5.73	3.20	8.03	6.23	3.22	8.56	6.25	3.25	8.82	6.75	3.27	9.35	6.72	3.30	9.61	6.71	3.32	9.88	7.16	3.34
46	4.41	4.41	2.35	4.92	4.65	2.39	5.08	5.06	2.40	5.42	5.08	2.43	5.59	5.48	2.44	5.92	5.46	2.46	6.09	5.45	2.48	6.26	5.81	2.49		

TC : Total Capacity (kW)
 SHC : Sensible Heat Capacity (kW)
 IP : Input Power (kW)

OUTDOOR UNIT
AO*G30L4

OUTDOOR UNIT
AO*G30L4

Note: The total capacity of connected a indoor unit is up to 49000Btu from 27000Btu.

● Indoor unit : 7000Btu + 7000Btu + 7000Btu

		Indoor temperature																														
		°CDB			18°CDB			21°CDB			23°CDB			25°CDB			27°CDB			29°CDB			30°CDB			32°CDB						
		°CWB			12°CWB			15°CWB			16°CWB			18°CWB			19°CWB			21°CWB			22°CWB			23°CWB						
7+7+7	Outdoor temperature	(°CDB)	TC	SHC	IP	TC	SHC	IP	TC	SHC	IP	TC	SHC	IP	TC	SHC	IP	TC	SHC	IP	TC	SHC	IP	TC	SHC	IP	TC	SHC	IP			
		0	5.64	4.46	1.00	6.28	4.49	1.01	6.50	4.87	1.02	6.93	4.89	1.03	7.14	5.28	1.03	7.57	5.26	1.04	7.78	5.25	1.05	8.00	5.60	1.05	5.60	4.43	1.02	5.80	4.73	1.02
		5	5.27	4.28	1.13	5.87	4.31	1.15	6.07	4.68	1.16	6.47	4.70	1.17	6.67	5.08	1.17	7.07	5.06	1.19	7.27	5.05	1.19	7.47	5.39	1.20	5.39	4.22	1.13	5.59	4.52	1.13
		10	5.26	4.28	1.33	5.86	4.31	1.35	6.06	4.68	1.36	6.46	4.70	1.37	6.66	5.07	1.38	7.05	5.05	1.39	7.25	5.04	1.40	7.45	5.38	1.40	5.38	4.21	1.33	5.58	4.51	1.33
		15	5.29	4.29	1.15	5.90	4.32	1.17	6.10	4.70	1.17	6.50	4.72	1.18	6.70	5.09	1.19	7.10	5.07	1.20	7.30	5.06	1.21	7.50	5.40	1.21	5.40	4.24	1.15	5.60	4.54	1.15
		20	6.75	4.97	1.50	7.51	5.00	1.52	7.77	5.44	1.53	8.28	5.46	1.55	8.54	5.89	1.56	9.05	5.87	1.57	9.31	5.86	1.58	9.56	6.25	1.59	6.25	5.08	1.50	6.45	5.38	1.50
		25	6.49	4.86	1.70	7.23	4.89	1.73	7.48	5.31	1.74	7.97	5.33	1.75	8.22	5.75	1.76	8.71	5.73	1.78	8.96	5.72	1.79	9.21	6.10	1.80	6.10	4.93	1.70	6.30	5.22	1.70
		30	6.01	4.63	1.86	6.69	4.66	1.89	6.92	5.06	1.90	7.38	5.08	1.92	7.60	5.48	1.93	8.06	5.46	1.95	8.29	5.45	1.96	8.52	5.82	1.97	5.82	4.65	1.86	6.02	5.31	1.86
		35	5.93	4.59	2.35	6.60	4.62	2.39	6.83	5.02	2.40	7.28	5.04	2.43	7.50	5.44	2.44	7.95	5.42	2.46	8.18	5.41	2.48	8.40	5.77	2.49	5.77	4.60	2.35	5.97	5.26	2.35
		40	5.78	4.29	2.75	6.44	4.32	2.79	6.66	4.70	2.81	7.10	4.71	2.84	7.32	5.09	2.85	7.76	5.07	2.88	7.98	5.06	2.89	8.20	5.40	2.91	5.40	4.23	2.75	5.60	4.92	2.75
46	3.88	3.76	2.12	4.32	3.79	2.16	4.47	4.11	2.17	4.76	4.13	2.19	4.91	4.46	2.20	5.20	4.44	2.22	5.35	4.43	2.23	5.50	4.73	2.24	4.73	3.56	2.12	4.93	4.22	2.12		

● Indoor unit : 7000Btu + 7000Btu + 9000Btu

		Indoor temperature																														
		°CDB			18°CDB			21°CDB			23°CDB			25°CDB			27°CDB			29°CDB			30°CDB			32°CDB						
		°CWB			12°CWB			15°CWB			16°CWB			18°CWB			19°CWB			21°CWB			22°CWB			23°CWB						
7+7+9	Outdoor temperature	(°CDB)	TC	SHC	IP	TC	SHC	IP	TC	SHC	IP	TC	SHC	IP	TC	SHC	IP	TC	SHC	IP	TC	SHC	IP	TC	SHC	IP	TC	SHC	IP	TC	SHC	IP
		0	5.45	4.45	1.02	6.07	4.47	1.04	6.28	4.86	1.05	6.69	4.88	1.06	6.90	5.27	1.06	7.31	5.25	1.07	7.52	5.24	1.08	7.73	5.59	1.08	5.59	4.42	1.02	5.79	4.72	1.02
		5	5.08	4.28	1.15	5.66	4.30	1.17	5.86	4.68	1.18	6.24	4.69	1.19	6.43	5.07	1.20	6.82	5.05	1.21	7.01	5.04	1.21	7.21	5.38	1.22	5.38	4.21	1.15	5.58	4.51	1.15
		10	5.10	4.29	1.35	5.69	4.31	1.37	5.88	4.69	1.38	6.27	4.71	1.39	6.46	5.08	1.40	6.85	5.06	1.41	7.04	5.05	1.42	7.24	5.39	1.42	5.39	4.24	1.35	5.59	4.54	1.35
		15	5.52	4.48	1.19	6.15	4.51	1.21	6.36	4.90	1.22	6.78	4.92	1.23	6.99	5.31	1.24	7.41	5.29	1.25	7.62	5.28	1.25	7.83	5.63	1.26	5.63	4.46	1.19	5.83	4.75	1.19
		20	7.06	5.19	1.60	7.86	5.22	1.63	8.13	5.68	1.63	8.67	5.70	1.65	8.94	6.15	1.66	9.47	6.13	1.68	9.74	6.12	1.68	10.01	6.53	1.69	6.53	5.36	1.60	6.73	6.02	1.60
		25	6.78	5.06	1.83	7.55	5.09	1.86	7.81	5.54	1.87	8.33	5.56	1.89	8.58	6.00	1.90	9.10	5.98	1.92	9.36	5.97	1.93	9.61	6.36	1.94	6.36	5.19	1.83	6.56	5.88	1.83
		30	6.27	4.83	2.00	6.99	4.86	2.03	7.23	5.28	2.04	7.70	5.30	2.06	7.94	5.72	2.07	8.42	5.70	2.09	8.66	5.69	2.10	8.89	6.07	2.11	6.07	4.90	2.00	6.27	5.69	2.00
		35	6.08	4.74	2.46	6.78	4.77	2.50	7.01	5.18	2.51	7.47	5.20	2.54	7.70	5.62	2.55	8.16	5.60	2.58	8.39	5.58	2.59	8.62	5.96	2.60	5.96	4.79	2.46	6.16	5.48	2.46
		40	5.86	4.44	2.88	6.53	4.47	2.92	6.75	4.85	2.94	7.19	4.87	2.97	7.41	5.26	2.98	7.86	5.24	3.01	8.08	5.23	3.02	8.30	5.58	3.04	5.58	4.41	2.88	5.78	5.10	2.88
46	3.92	3.82	2.26	4.37	3.85	2.29	4.51	4.18	2.30	4.81	4.20	2.33	4.96	4.53	2.34	5.26	4.52	2.36	5.41	4.51	2.38	5.56	4.81	2.39	4.81	3.64	2.26	5.01	4.33	2.26		

● Indoor unit : 7000Btu + 7000Btu + 12000Btu

		Indoor temperature																														
		°CDB			18°CDB			21°CDB			23°CDB			25°CDB			27°CDB			29°CDB			30°CDB			32°CDB						
		°CWB			12°CWB			15°CWB			16°CWB			18°CWB			19°CWB			21°CWB			22°CWB			23°CWB						
7+7+12	Outdoor temperature	(°CDB)	TC	SHC	IP	TC	SHC	IP	TC	SHC	IP	TC	SHC	IP	TC	SHC	IP	TC	SHC	IP	TC	SHC	IP	TC	SHC	IP	TC	SHC	IP	TC	SHC	IP
		0	5.44	4.43	1.21	6.05	4.46	1.23	6.26	4.84	1.23	6.67	4.86	1.25	6.88	5.25	1.25	7.29	5.23	1.27	7.50	5.22	1.27	7.71	5.57	1.28	5.57	4.40	1.21	5.77	4.70	1.21
		5	5.07	4.26	1.35	5.64	4.29	1.37	5.84	4.66	1.37	6.22	4.68	1.39	6.41	5.05	1.39	6.80	5.04	1.41	6.99	5.03	1.42	7.18	5.36	1.42	5.36	4.19	1.35	5.56	4.48	1.35
		10	5.12	4.29	1.06	5.71	4.32	1.07	5.90	4.69	1.08	6.29	4.71	1.09	6.49	5.08	1.10	6.88	5.07	1.11	7.07	5.06	1.11	7.27	5.40	1.12	5.40	4.23	1.06	5.60	4.52	1.06
		15	6.85	5.15	1.50	7.63	5.18	1.52	7.89	5.63	1.53	8.41	5.65	1.54	8.67	6.10	1.55	9.19	6.08	1.57	9.45	6.07	1.57	9.71	6.47	1.58	6.47	5.30	1.50	6.67	6.00	1.50
		20	7.32	5.36	1.78	8.15	5.39	1.80	8.43	5.86	1.81	8.99	5.88	1.83	9.26	6.35	1.84	9.82	6.32	1.86	10.10	6.31	1.87	10.37	6.73	1.88	6.73	5.56	1.78	6.93	6.19	1.78
		25	7.00	5.21	2.06	7.80	5.25	2.09	8.06	5.70	2.10	8.60	5.72	2.12	8.86	6.18	2.13	9.39	6.16	2.15	9.66	6.15	2.17	9.93	6.56	2.18	6.56	5.39	2.06	6.76	6.02	2.06
		30	6.48	4.98	2.24	7.22	5.01	2.28	7.47	5.45	2.29	7.96	5.47	2.31	8.21	5.90	2.32	8.70	5.88	2.35	8.94	5.87	2.36	9.19	6.26	2.37	6.26	5.09	2.24	6.46	5.78	2.24
		35	6.48	4.98	2.80	7.22	5.01	2.84	7.46	5.45	2.86	7.95	5.47	2.89	8.20	5.90	2.90	8.69	5.88	2.93	8.94	5.87	2.94	9.18	6.26	2.96	6.26	5.09	2.80	6.46	5.78	2.80
		40	5.97	4.66	3.16	6.65	4.69	3.20	6.88	5.09	3.22	7.33	5.11	3.25	7.56	5.52	3.27	8.01	5.50	3.30	8.24	5.49	3.32	8.46	5.85	3.34	5.85	4.68	3.16	6.05	5.37	3.16
46	3.98	3.92	2.35	4.43	3.94	2.39	4.58	4.29	2.40	4.89	4.30	2.43	5.04	4.64	2.44	5.34	4.63	2.46	5.49	4.62	2.48	5.64	4.93	2.49	4.93	3.76	2.35	5.13	4.45	2.35		

● Indoor unit : 7000Btu + 7000Btu + 14000Btu

		Indoor temperature																														
		°CDB			18°CDB			21°CDB			23°CDB			25°CDB			27°CDB			29°CDB			30°CDB			32°CDB						
		°CWB			12°CWB			15°CWB			16°CWB			18°CWB			19°CWB			21°CWB			22°CWB			23°CWB						
7+7+14	Outdoor temperature	(°CDB)	TC	SHC	IP	TC	SHC	IP	TC	SHC	IP	TC	SHC	IP	TC	SHC	IP	TC	SHC	IP	TC	SHC	IP	TC	SHC	IP	TC	SHC	IP	TC	SHC	IP
		0	6.97	5.58	1.69	7.76	5.61	1.71	8.02	6.10	1.72	8.55	6.12	1.74	8.82	6.61	1.75	9.35	6.59	1.77	9.61	6.57	1.77	9.87	7.01	1.78	7.01	5.84	1.69	7.21	6.53	1.69
		5	6.50	5.36	1.86	7.24	5.40	1.89	7.48	5.87	1.90	7.98	5.89	1.92	8.22	6.36	1.93	8.72	6.33	1.95	8.96	6.32	1.96	9.21	6.74	1.97	6.74	5.57	1.86	6.94	6.26	1.86
		10	6.60	5.41	1.50	7.35	5.44	1.52	7.60	5.91	1.53	8.10	5.94	1.54	8.35	6.41	1.55	8.85	6.39	1.57	9.10	6.37	1.57	9.35	6.80	1.58	6.80	5.63	1.50	7.00	6.35	1.50
		15	6.73	5.47	1.65	7.50	5.5																									

Note: The total capacity of connected a indoor unit is up to 49000Btu from 27000Btu.

● Indoor unit : 7000Btu + 7000Btu + 18000Btu

	Indoor temperature																												
	°CDB			18°CDB			21°CDB			23°CDB			25°CDB			27°CDB			29°CDB			30°CDB			32°CDB				
	°CWB			12°CWB			15°CWB			16°CWB			18°CWB			19°CWB			21°CWB			22°CWB			23°CWB				
7+7+18	Outdoor temperature	(°CDB)	TC	SHC	IP	TC	SHC	IP	TC	SHC	IP	TC	SHC	IP	TC	SHC	IP	TC	SHC	IP	TC	SHC	IP	TC	SHC	IP			
		0	7.48	6.05	1.24	8.33	6.09	1.26	8.61	6.61	1.27	9.18	6.64	1.28	9.47	7.17	1.29	10.03	7.14	1.30	10.32	7.13	1.31	10.60	7.60	1.31	10.60	7.60	1.31
		5	7.01	5.84	1.61	7.81	5.88	1.63	8.07	6.39	1.64	8.61	6.41	1.66	8.87	6.92	1.67	9.40	6.90	1.68	9.67	6.88	1.69	9.94	7.34	1.70	9.94	7.34	1.70
		10	7.14	5.90	1.64	7.95	5.94	1.66	8.23	6.45	1.67	8.77	6.48	1.69	9.04	6.99	1.70	9.58	6.96	1.71	9.85	6.95	1.72	10.12	7.42	1.73	10.12	7.42	1.73
		15	7.81	6.19	1.86	8.70	6.23	1.89	8.99	6.77	1.90	9.59	6.80	1.92	9.88	7.34	1.93	10.48	7.31	1.95	10.77	7.30	1.96	11.07	7.79	1.97	11.07	7.79	1.97
		20	8.52	6.51	2.08	9.49	6.55	2.12	9.81	7.12	2.13	10.46	7.14	2.15	10.78	7.71	2.16	11.43	7.68	2.18	11.76	7.67	2.19	12.08	8.18	2.20	12.08	8.18	2.20
		25	8.88	6.66	2.72	9.89	6.71	2.77	10.23	7.29	2.78	10.90	7.32	2.81	11.24	7.90	2.82	11.91	7.87	2.85	12.25	7.86	2.86	12.58	8.38	2.88	12.58	8.38	2.88
		30	8.24	6.38	2.95	9.18	6.43	2.99	9.49	6.98	3.01	10.12	7.01	3.04	10.43	7.57	3.06	11.06	7.54	3.09	11.37	7.53	3.10	11.69	8.03	3.12	11.69	8.03	3.12
		35	7.90	6.23	3.43	8.80	6.27	3.48	9.10	6.82	3.50	9.70	6.84	3.53	10.00	7.39	3.55	10.60	7.36	3.58	10.90	7.35	3.58	11.20	7.84	3.58	11.20	7.84	3.58
		40	6.22	5.49	3.16	6.93	5.52	3.20	7.16	6.00	3.22	7.63	6.02	3.25	7.87	6.50	3.27	8.34	6.48	3.30	8.58	6.47	3.32	8.81	6.90	3.34	8.81	6.90	3.34
46	4.10	4.10	2.35	4.57	4.13	2.39	4.72	4.49	2.40	5.03	4.51	2.43	5.19	4.87	2.44	5.50	4.85	2.46	5.66	4.84	2.48	5.81	5.17	2.49	5.81	5.17	2.49		

● Indoor unit : 7000Btu + 7000Btu + 24000Btu

	Indoor temperature																												
	°CDB			18°CDB			21°CDB			23°CDB			25°CDB			27°CDB			29°CDB			30°CDB			32°CDB				
	°CWB			12°CWB			15°CWB			16°CWB			18°CWB			19°CWB			21°CWB			22°CWB			23°CWB				
7+7+24	Outdoor temperature	(°CDB)	TC	SHC	IP	TC	SHC	IP	TC	SHC	IP	TC	SHC	IP	TC	SHC	IP	TC	SHC	IP	TC	SHC	IP	TC	SHC	IP			
		0	8.27	6.62	1.56	9.22	6.67	1.59	9.53	7.24	1.60	10.16	7.27	1.61	10.47	7.85	1.62	11.10	7.82	1.64	11.42	7.81	1.64	11.73	8.33	1.65	11.73	8.33	1.65
		5	7.87	6.45	1.81	8.76	6.49	1.84	9.06	7.05	1.85	9.66	7.08	1.87	9.96	7.64	1.88	10.56	7.61	1.90	10.86	7.60	1.91	11.16	8.11	1.92	11.16	8.11	1.92
		10	7.99	6.50	2.03	8.90	6.54	2.07	9.20	7.11	2.08	9.81	7.13	2.10	10.11	7.70	2.11	10.72	7.67	2.13	11.02	7.66	2.14	11.32	8.17	2.15	11.32	8.17	2.15
		15	8.76	6.84	2.23	9.76	6.88	2.27	10.09	7.48	2.28	10.76	7.51	2.30	11.09	8.10	2.31	11.76	8.07	2.34	12.09	8.06	2.35	12.42	8.60	2.36	12.42	8.60	2.36
		20	8.62	6.77	2.08	9.60	6.82	2.11	9.93	7.41	2.12	10.58	7.44	2.14	10.91	8.03	2.15	11.56	8.00	2.18	11.89	7.99	2.19	12.22	8.52	2.20	12.22	8.52	2.20
		25	9.21	7.03	2.89	10.26	7.08	2.94	10.61	7.69	2.95	11.31	7.72	2.98	11.66	8.33	3.00	12.36	8.30	3.03	12.71	8.29	3.04	13.06	8.84	3.06	13.06	8.84	3.06
		30	8.59	6.76	3.12	9.57	6.81	3.17	9.90	7.40	3.18	10.55	7.43	3.22	10.88	8.02	3.23	11.53	7.99	3.26	11.86	7.97	3.28	12.18	8.50	3.30	12.18	8.50	3.30
		35	7.98	6.49	3.41	8.89	6.54	3.46	9.19	7.10	3.48	9.80	7.13	3.51	10.10	7.70	3.53	10.71	7.67	3.58	11.01	7.66	3.58	11.31	8.17	3.58	11.31	8.17	3.58
		40	6.42	5.52	3.16	7.15	5.56	3.20	7.40	6.04	3.22	7.89	6.06	3.25	8.13	6.55	3.27	8.62	6.52	3.30	8.86	6.51	3.32	9.11	6.95	3.34	9.11	6.95	3.34
46	4.22	4.22	2.35	4.70	4.32	2.39	4.86	4.70	2.40	5.18	4.72	2.43	5.34	5.09	2.44	5.66	5.07	2.46	5.82	5.06	2.48	5.98	5.40	2.49	5.98	5.40	2.49		

● Indoor unit : 7000Btu + 9000Btu + 9000Btu

	Indoor temperature																												
	°CDB			18°CDB			21°CDB			23°CDB			25°CDB			27°CDB			29°CDB			30°CDB			32°CDB				
	°CWB			12°CWB			15°CWB			16°CWB			18°CWB			19°CWB			21°CWB			22°CWB			23°CWB				
7+9+9	Outdoor temperature	(°CDB)	TC	SHC	IP	TC	SHC	IP	TC	SHC	IP	TC	SHC	IP	TC	SHC	IP	TC	SHC	IP	TC	SHC	IP	TC	SHC	IP			
		0	5.82	4.75	1.19	6.49	4.78	1.21	6.71	5.20	1.22	7.15	5.22	1.23	7.37	5.63	1.24	7.81	5.61	1.25	8.03	5.60	1.25	8.25	5.97	1.26	8.25	5.97	1.26
		5	5.43	4.57	1.33	6.04	4.60	1.35	6.25	5.00	1.36	6.66	5.02	1.37	6.87	5.42	1.38	7.28	5.40	1.39	7.49	5.39	1.40	7.69	5.75	1.41	7.69	5.75	1.41
		10	5.48	4.60	1.55	6.10	4.62	1.57	6.31	5.03	1.58	6.73	5.05	1.60	6.93	5.45	1.60	7.35	5.43	1.62	7.56	5.42	1.63	7.77	5.78	1.64	7.77	5.78	1.64
		15	6.95	5.24	1.48	7.74	5.27	1.50	8.00	5.73	1.51	8.53	5.75	1.52	8.79	6.21	1.53	9.32	6.19	1.55	9.58	6.18	1.56	9.85	6.59	1.56	9.85	6.59	1.56
		20	7.41	5.45	1.77	8.25	5.48	1.80	8.53	5.96	1.81	9.09	5.98	1.83	9.38	6.46	1.84	9.94	6.43	1.86	10.22	6.42	1.87	10.50	6.85	1.88	10.50	6.85	1.88
		25	7.10	5.31	2.05	7.91	5.34	2.08	8.17	5.80	2.09	8.71	5.83	2.11	8.98	6.29	2.12	9.52	6.27	2.14	9.79	6.26	2.15	10.06	6.67	2.17	10.06	6.67	2.17
		30	6.57	5.07	2.23	7.32	5.10	2.27	7.57	5.54	2.28	8.07	5.56	2.30	8.31	6.01	2.31	8.81	5.99	2.34	9.06	5.97	2.35	9.31	6.37	2.36	9.31	6.37	2.36
		35	6.56	5.06	2.80	7.30	5.10	2.84	7.55	5.54	2.86	8.05	5.56	2.89	8.30	6.00	2.90	8.80	5.98	2.93	9.05	5.97	2.94	9.30	6.37	2.96	9.30	6.37	2.96
		40	5.93	4.58	3.16	6.61	4.61	3.20	6.83	5.01	3.22	7.28	5.03	3.25	7.51	5.43	3.27	7.96	5.41	3.30	8.19	5.40	3.32	8.41	5.76	3.34	8.41	5.76	3.34
46	3.96	3.89	2.35	4.41	3.91	2.39	4.56	4.25	2.40	4.86	4.27	2.43	5.01	4.61	2.44	5.31	4.59	2.46	5.46	4.58	2.48	5.61	4.89	2.49	5.61	4.89	2.49		

● Indoor unit : 7000Btu + 9000Btu + 12000Btu

	Indoor temperature																												
	°CDB			18°CDB			21°CDB			23°CDB			25°CDB			27°CDB			29°CDB			30°CDB			32°CDB				
	°CWB			12°CWB			15°CWB			16°CWB			18°CWB			19°CWB			21°CWB			22°CWB			23°CWB				
7+9+12	Outdoor temperature	(°CDB)	TC	SHC	IP	TC	SHC	IP	TC	SHC	IP	TC	SHC	IP	TC	SHC	IP	TC	SHC	IP	TC	SHC	IP	TC	SHC	IP			
		0	6.97	5.35	1.68	7.76	5.38	1.70	8.02	5.85	1.71	8.55	5.87	1.73	8.82	6.34	1.74	9.35	6.31	1.76	9.61	6.30	1.76	9.87	6.72	1.77	9.87	6.72	1.77
		5	6.50	5.14	1.85	7.24	5.18	1.88	7.48	5.62	1.89	7.98	5.65	1.91	8.22	6.09	1.92	8.72	6.07	1.94	8.96	6.06	1.95	9.21	6.47	1.96	9.21	6.47	1.96
		10	6.60	5.19	1.49	7.35	5.22	1.51	7.60	5.67	1.52	8.10	5.69	1.53	8.35	6.15	1.54	8.85	6.12	1.56	9.10	6.11	1.56	9.35	6.52	1.57	9.35	6.52	1.57
		15	6.73	5.24	1.64	7.50	5.28	1.66	7.75	5.74	1.67	8.26	5.76	1.69	8.52	6.22	1.70	9.03	6.19	1.72	9.29	6.18	1.72	9.54	6.59	1.73	9.54	6.59	1.73
		20	7.22	5.46	1.90	8.04	5.50	1.93	8.32	5.97	1.94	8.																	

● Indoor unit : 7000Btu + 9000Btu + 14000Btu

		Indoor temperature																											
		18°CDB			21°CDB			23°CDB			25°CDB			27°CDB			29°CDB			30°CDB			32°CDB						
		°CDB	°CWB		°CDB	°CWB		°CDB	°CWB		°CDB	°CWB		°CDB	°CWB		°CDB	°CWB		°CDB	°CWB		°CDB	°CWB					
7+9+14	Outdoor temperature	(°CDB)	TC	SHC	IP	TC	SHC	IP	TC	SHC	IP	TC	SHC	IP	TC	SHC	IP	TC	SHC	IP	TC	SHC	IP	TC	SHC	IP			
		0	6.94	5.38	1.75	7.73	5.42	1.78	7.99	5.89	1.79	8.52	5.91	1.81	8.78	6.38	1.82	9.31	6.36	1.84	9.57	6.35	1.84	9.84	6.77	1.85			
		5	6.48	5.19	1.92	7.22	5.22	1.95	7.47	5.67	1.96	7.96	5.70	1.98	8.21	6.15	1.99	8.70	6.13	2.01	8.95	6.11	2.02	9.19	6.52	2.03			
		10	6.60	5.24	1.58	7.35	5.27	1.60	7.60	5.73	1.61	8.10	5.75	1.63	8.35	6.21	1.63	8.85	6.18	1.65	9.10	6.17	1.66	9.36	6.58	1.67			
		15	7.14	5.45	1.82	7.95	5.48	1.85	8.22	5.96	1.86	8.76	5.98	1.88	9.04	6.45	1.89	9.58	6.43	1.91	9.85	6.42	1.92	10.12	6.85	1.93			
		20	7.75	5.71	2.09	8.63	5.75	2.12	8.93	6.24	2.13	9.52	6.27	2.15	9.81	6.77	2.16	10.40	6.74	2.18	10.69	6.73	2.19	10.99	7.18	2.20			
		25	7.37	5.55	2.46	8.21	5.58	2.50	8.49	6.06	2.51	9.05	6.09	2.53	9.33	6.57	2.55	9.89	6.55	2.57	10.17	6.54	2.59	10.45	6.97	2.60			
		30	6.83	5.31	2.67	7.61	5.35	2.71	7.87	5.81	2.72	8.39	5.83	2.75	8.65	6.30	2.76	9.17	6.28	2.79	9.43	6.26	2.81	9.69	6.68	2.82			
		35	7.19	5.47	3.44	8.01	5.50	3.49	8.28	5.98	3.51	8.83	6.00	3.54	9.10	6.48	3.56	9.65	6.46	3.58	9.92	6.45	3.58	10.19	6.88	3.58			
		40	6.12	4.95	3.16	6.82	4.98	3.20	7.05	5.41	3.22	7.52	5.43	3.25	7.75	5.86	3.27	8.21	5.84	3.30	8.45	5.83	3.32	8.68	6.22	3.34			
		46	4.06	4.05	2.35	4.52	4.07	2.39	4.68	4.42	2.40	4.99	4.44	2.43	5.14	4.79	2.44	5.45	4.78	2.46	5.60	4.77	2.48	5.76	5.09	2.49			

● Indoor unit : 7000Btu + 9000Btu + 18000Btu

		Indoor temperature																											
		18°CDB			21°CDB			23°CDB			25°CDB			27°CDB			29°CDB			30°CDB			32°CDB						
		°CDB	°CWB		°CDB	°CWB		°CDB	°CWB		°CDB	°CWB		°CDB	°CWB		°CDB	°CWB		°CDB	°CWB		°CDB	°CWB					
7+9+18	Outdoor temperature	(°CDB)	TC	SHC	IP	TC	SHC	IP	TC	SHC	IP	TC	SHC	IP	TC	SHC	IP	TC	SHC	IP	TC	SHC	IP	TC	SHC	IP			
		0	7.85	6.29	1.39	8.74	6.33	1.41	9.04	6.88	1.42	9.63	6.90	1.43	9.93	7.45	1.44	10.53	7.43	1.45	10.83	7.41	1.46	11.12	7.91	1.47			
		5	7.38	6.08	1.73	8.22	6.12	1.76	8.50	6.65	1.77	9.06	6.68	1.78	9.34	7.21	1.79	9.91	7.18	1.81	10.19	7.17	1.82	10.47	7.65	1.83			
		10	7.52	6.15	1.82	8.38	6.18	1.85	8.66	6.72	1.86	9.24	6.75	1.88	9.52	7.28	1.89	10.09	7.26	1.91	10.38	7.24	1.92	10.66	7.73	1.93			
		15	8.06	6.38	2.00	8.98	6.43	2.03	9.29	6.98	2.04	9.90	7.01	2.06	10.21	7.57	2.07	10.82	7.54	2.09	11.12	7.53	2.11	11.43	8.03	2.12			
		20	8.44	6.55	2.09	9.40	6.59	2.12	9.72	7.16	2.13	10.36	7.19	2.16	10.68	7.76	2.17	11.32	7.74	2.19	11.64	7.72	2.20	11.96	8.24	2.21			
		25	8.76	6.69	2.76	9.75	6.73	2.80	10.09	7.32	2.81	10.75	7.35	2.84	11.08	7.93	2.86	11.75	7.90	2.88	12.08	7.89	2.90	12.41	8.41	2.91			
		30	8.14	6.42	2.98	9.07	6.46	3.03	9.38	7.02	3.04	10.00	7.05	3.07	10.31	7.61	3.09	10.93	7.58	3.12	11.23	7.57	3.13	11.54	8.07	3.15			
		35	7.82	6.28	3.44	8.71	6.32	3.49	9.01	6.87	3.51	9.60	6.89	3.54	9.90	7.44	3.56	10.49	7.41	3.58	10.79	7.40	3.58	11.09	7.89	3.58			
		40	6.27	5.23	3.16	6.99	5.27	3.20	7.22	5.72	3.22	7.70	5.75	3.25	7.94	6.20	3.27	8.42	6.18	3.30	8.65	6.17	3.32	8.89	6.58	3.34			
		46	4.14	4.14	2.35	4.61	4.20	2.39	4.77	4.56	2.40	5.08	4.58	2.43	5.24	4.94	2.44	5.56	4.93	2.46	5.71	4.92	2.48	5.87	5.24	2.49			

● Indoor unit : 7000Btu + 9000Btu + 24000Btu

		Indoor temperature																											
		18°CDB			21°CDB			23°CDB			25°CDB			27°CDB			29°CDB			30°CDB			32°CDB						
		°CDB	°CWB		°CDB	°CWB		°CDB	°CWB		°CDB	°CWB		°CDB	°CWB		°CDB	°CWB		°CDB	°CWB		°CDB	°CWB					
7+9+24	Outdoor temperature	(°CDB)	TC	SHC	IP	TC	SHC	IP	TC	SHC	IP	TC	SHC	IP	TC	SHC	IP	TC	SHC	IP	TC	SHC	IP	TC	SHC	IP			
		0	8.31	6.80	1.62	9.26	6.85	1.65	9.57	7.44	1.66	10.20	7.47	1.67	10.52	8.06	1.68	11.15	8.03	1.70	11.46	8.02	1.71	11.78	8.55	1.72			
		5	7.96	6.65	1.82	8.86	6.69	1.85	9.17	7.27	1.86	9.77	7.30	1.88	10.07	7.88	1.89	10.68	7.85	1.91	10.98	7.84	1.92	11.28	8.36	1.92			
		10	8.05	6.69	1.88	8.96	6.73	1.91	9.27	7.32	1.92	9.88	7.34	1.94	10.19	7.93	1.95	10.80	7.90	1.97	11.10	7.88	1.98	11.41	8.41	1.99			
		15	8.71	6.95	2.28	9.70	6.99	2.31	10.03	7.60	2.33	10.69	7.63	2.35	11.02	8.23	2.36	11.69	8.20	2.38	12.02	8.19	2.40	12.35	8.74	2.41			
		20	8.63	6.91	2.08	9.61	6.96	2.11	9.94	7.56	2.12	10.59	7.59	2.15	10.92	8.19	2.16	11.57	8.16	2.18	11.90	8.15	2.19	12.23	8.69	2.20			
		25	9.17	7.15	2.92	10.21	7.20	2.97	10.56	7.82	2.98	11.26	7.85	3.01	11.61	8.47	3.03	12.30	8.44	3.06	12.65	8.43	3.07	13.00	8.99	3.09			
		30	8.58	6.89	3.14	9.55	6.93	3.19	9.88	7.53	3.21	10.53	7.56	3.24	10.85	8.16	3.26	11.51	8.14	3.29	11.83	8.12	3.30	12.16	8.66	3.32			
		35	7.98	6.63	3.41	8.89	6.67	3.46	9.19	7.25	3.48	9.80	7.28	3.51	10.10	7.85	3.53	10.71	7.83	3.58	11.01	7.81	3.58	11.31	8.33	3.58			
		40	6.50	5.67	3.16	7.24	5.70	3.20	7.49	6.20	3.22	7.98	6.22	3.25	8.23	6.72	3.27	8.72	6.69	3.30	8.97	6.68	3.32	9.21	7.13	3.34			
		46	4.26	4.26	2.35	4.75	4.39	2.39	4.91	4.77	2.40	5.23	4.79	2.43	5.39	5.17	2.44	5.72	5.15	2.46	5.88	5.14	2.48	6.04	5.48	2.49			

● Indoor unit : 7000Btu + 12000Btu + 12000Btu

		Indoor temperature																											
		18°CDB			21°CDB			23°CDB			25°CDB			27°CDB			29°CDB			30°CDB			32°CDB						
		°CDB	°CWB		°CDB	°CWB		°CDB	°CWB		°CDB	°CWB		°CDB	°CWB		°CDB	°CWB		°CDB	°CWB		°CDB	°CWB					
7+12+12	Outdoor temperature	(°CDB)	TC	SHC	IP	TC	SHC	IP	TC	SHC	IP	TC	SHC	IP	TC	SHC	IP	TC	SHC	IP	TC	SHC	IP	TC	SHC	IP			
		0	6.84	5.48	1.77	7.62	5.51	1.80	7.88	5.99	1.80	8.39	6.01	1.82	8.65	6.49	1.83	9.17	6.47	1.85	9.43	6.45	1.86	9.69	6.88	1.87			
		5	6.40	5.28	1.93	7.13	5.32	1.96	7.37	5.78	1.97	7.86	5.80	1.99	8.10	6.26	2.00	8.58	6.24	2.02	8.83	6.23	2.03	9.07	6.64	2.04			
		10	6.52	5.33	1.60	7.26	5.37	1.62	7.50	5.83	1.63	8.00	5.86	1.65	8.25	6.32	1.66	8.74	6.30	1.67	8.99	6.29	1.68	9.24	6.71	1.69			
		15	7.12	5.60	1.84	7.93	5.64	1.86	8.20	6.13	1.87	8.74	6.15	1.89	9.01	6.64	1.90	9.56	6.61	1.92	9.83	6.60	1.93	10.10	7.04	1.94			
		20	7.75	5.88	2.08	8.63	5.92	2.11	8.93	6.43	2.12	9.52	6.45	2.14	9.81	6.97	2.15	10.40	6.94	2.17	10.70	6.93	2.18	10.99	7.39	2.19			
		25	7.36	5.70	2.46	8.19	5.74	2.49	8.47	6.24	2.51	9.03	6.26	2.53	9.31	6.76	2.55	9.87	6.74	2.57	10.15	6.72	2.58	10.43	7.17	2.60			
		30	6.83	5.47	2.66	7.60	5.51	2.70	7.86	5.98	2.72	8.38	6.01	2.75	8.64	6.48	2.76	9.16	6.46	2.79	9.42	6.45	2.80	9.68	6.88	2.81			
		35	7.19	5.63	3.42	8.01	5.67	3.47	8.28	6.16	3.49	8.83	6.18	3.52	9.10	6.67	3.54	9.65	6.65	3.58	9.92	6.64	3.58	10.1					

● Indoor unit : 7000Btu + 12000Btu + 14000Btu

		Indoor temperature																								
		18°CDB			21°CDB			23°CDB			25°CDB			27°CDB			29°CDB			30°CDB			32°CDB			
		°CWB			15°CWB			16°CWB			18°CWB			19°CWB			21°CWB			22°CWB			23°CWB			
7+12+14	Outdoor temperature	(°CDB)	TC	SHC	IP	TC	SHC	IP	TC	SHC	IP	TC	SHC	IP	TC	SHC	IP	TC	SHC	IP	TC	SHC	IP			
		0	6.92	5.63	1.27	7.71	5.66	1.29	7.97	6.15	1.30	8.49	6.18	1.31	8.76	6.67	1.32	9.28	6.64	1.33	9.55	6.63	1.34	9.81	7.07	1.34
		5	6.50	5.44	1.62	7.24	5.47	1.64	7.48	5.95	1.65	7.98	5.97	1.67	8.22	6.45	1.67	8.72	6.42	1.69	8.96	6.41	1.70	9.21	6.84	1.71
		10	6.62	5.49	1.67	7.37	5.53	1.70	7.62	6.01	1.71	8.13	6.03	1.72	8.38	6.51	1.73	8.88	6.49	1.75	9.13	6.48	1.76	9.38	6.91	1.77
		15	7.51	5.86	1.98	8.37	5.90	2.01	8.65	6.41	2.02	9.22	6.43	2.04	9.51	6.95	2.05	10.08	6.92	2.07	10.36	6.91	2.08	10.65	7.37	2.09
		20	7.84	6.00	2.09	8.73	6.04	2.12	9.03	6.57	2.13	9.63	6.59	2.15	9.92	7.12	2.17	10.52	7.09	2.19	10.82	7.08	2.20	11.11	7.55	2.21
		25	8.15	6.14	2.74	9.08	6.18	2.79	9.39	6.72	2.80	10.01	6.74	2.83	10.32	7.28	2.84	10.94	7.25	2.87	11.25	7.24	2.89	11.56	7.72	2.90
		30	7.57	5.89	2.97	8.44	5.93	3.02	8.73	6.44	3.03	9.30	6.46	3.06	9.59	6.98	3.08	10.16	6.95	3.11	10.45	6.94	3.12	10.74	7.40	3.14
		35	7.27	5.75	3.44	8.10	5.79	3.49	8.37	6.29	3.51	8.92	6.32	3.54	9.20	6.82	3.56	9.75	6.79	3.58	10.03	6.78	3.58	10.30	7.23	3.58
		40	6.23	5.16	3.16	6.94	5.20	3.20	7.18	5.65	3.22	7.66	5.67	3.25	7.89	6.12	3.27	8.37	6.10	3.30	8.60	6.08	3.32	8.84	6.49	3.34
46	4.12	4.12	2.35	4.59	4.17	2.39	4.75	4.53	2.40	5.06	4.54	2.43	5.22	4.91	2.44	5.53	4.89	2.46	5.69	4.88	2.48	5.84	5.21	2.49		

● Indoor unit : 7000Btu + 12000Btu + 18000Btu

		Indoor temperature																								
		18°CDB			21°CDB			23°CDB			25°CDB			27°CDB			29°CDB			30°CDB			32°CDB			
		°CWB			15°CWB			16°CWB			18°CWB			19°CWB			21°CWB			22°CWB			23°CWB			
7+12+18	Outdoor temperature	(°CDB)	TC	SHC	IP	TC	SHC	IP	TC	SHC	IP	TC	SHC	IP	TC	SHC	IP	TC	SHC	IP	TC	SHC	IP			
		0	8.14	6.48	1.55	9.06	6.52	1.57	9.37	7.08	1.58	9.99	7.11	1.59	10.30	7.68	1.60	10.92	7.65	1.62	11.23	7.63	1.63	11.53	8.14	1.63
		5	7.71	6.29	1.83	8.59	6.33	1.85	8.89	6.88	1.86	9.47	6.91	1.88	9.76	7.46	1.89	10.35	7.43	1.91	10.64	7.42	1.92	10.94	7.91	1.93
		10	7.84	6.35	2.02	8.73	6.39	2.05	9.03	6.94	2.06	9.63	6.97	2.08	9.93	7.52	2.09	10.52	7.50	2.11	10.82	7.48	2.12	11.12	7.98	2.13
		15	8.61	6.68	2.23	9.59	6.73	2.26	9.92	7.31	2.27	10.57	7.34	2.30	10.90	7.92	2.31	11.56	7.89	2.33	11.88	7.88	2.34	12.21	8.41	2.35
		20	8.45	6.61	2.10	9.41	6.65	2.13	9.73	7.23	2.14	10.37	7.26	2.16	10.69	7.84	2.17	11.33	7.81	2.19	11.65	7.79	2.20	11.97	8.31	2.21
		25	9.04	6.87	2.90	10.08	6.92	2.95	10.42	7.52	2.96	11.11	7.55	2.99	11.45	8.15	3.01	12.14	8.12	3.04	12.48	8.10	3.05	12.82	8.64	3.07
		30	8.43	6.61	3.13	9.39	6.65	3.18	9.71	7.22	3.20	10.35	7.25	3.23	10.67	7.83	3.25	11.31	7.80	3.28	11.63	7.79	3.30	11.95	8.31	3.31
		35	7.82	6.34	3.44	8.71	6.38	3.49	9.01	6.93	3.51	9.60	6.96	3.54	9.90	7.51	3.56	10.49	7.48	3.58	10.79	7.47	3.58	11.09	7.97	3.58
		40	6.39	5.45	3.16	7.11	5.49	3.20	7.36	5.96	3.22	7.84	5.99	3.25	8.08	6.46	3.27	8.57	6.44	3.30	8.81	6.43	3.32	9.05	6.85	3.34
46	4.20	4.20	2.35	4.68	4.29	2.39	4.84	4.66	2.40	5.16	4.68	2.43	5.32	5.06	2.44	5.64	5.04	2.46	5.80	5.03	2.48	5.96	5.36	2.49		

● Indoor unit : 7000Btu + 12000Btu + 24000Btu

		Indoor temperature																								
		18°CDB			21°CDB			23°CDB			25°CDB			27°CDB			29°CDB			30°CDB			32°CDB			
		°CWB			15°CWB			16°CWB			18°CWB			19°CWB			21°CWB			22°CWB			23°CWB			
7+12+24	Outdoor temperature	(°CDB)	TC	SHC	IP	TC	SHC	IP	TC	SHC	IP	TC	SHC	IP	TC	SHC	IP	TC	SHC	IP	TC	SHC	IP			
		0	8.80	7.05	1.86	9.80	7.09	1.89	10.14	7.71	1.90	10.81	7.74	1.92	11.14	8.35	1.93	11.81	8.32	1.95	12.14	8.30	1.96	12.48	8.86	1.97
		5	8.53	6.93	1.99	9.50	6.97	2.02	9.83	7.58	2.03	10.47	7.61	2.05	10.80	8.21	2.06	11.45	8.18	2.08	11.77	8.17	2.09	12.09	8.71	2.10
		10	8.56	6.94	2.05	9.54	6.99	2.08	9.86	7.59	2.09	10.51	7.62	2.11	10.84	8.23	2.12	11.49	8.20	2.14	11.81	8.18	2.15	12.14	8.73	2.16
		15	8.63	6.97	1.82	9.61	7.02	1.85	9.94	7.62	1.86	10.59	7.65	1.87	10.92	8.26	1.88	11.58	8.23	1.90	11.90	8.22	1.91	12.23	8.76	1.92
		20	8.64	6.98	2.10	9.62	7.02	2.14	9.95	7.63	2.15	10.61	7.66	2.17	10.93	8.27	2.18	11.59	8.24	2.20	11.92	8.22	2.21	12.25	8.77	2.22
		25	9.11	7.18	2.99	10.15	7.23	3.03	10.49	7.85	3.05	11.18	7.88	3.08	11.53	8.51	3.09	12.22	8.48	3.12	12.57	8.46	3.14	12.91	9.03	3.16
		30	8.55	6.94	3.20	9.52	6.98	3.25	9.85	7.59	3.27	10.50	7.62	3.30	10.82	8.22	3.32	11.47	8.19	3.35	11.79	8.18	3.37	12.12	8.72	3.39
		35	7.98	6.69	3.44	8.89	6.73	3.49	9.19	7.32	3.51	9.80	7.34	3.54	10.10	7.93	3.56	10.71	7.90	3.58	11.01	7.88	3.58	11.31	8.41	3.58
		40	6.61	5.89	3.16	7.36	5.92	3.20	7.62	6.44	3.22	8.12	6.46	3.25	8.37	6.97	3.27	8.87	6.95	3.30	9.12	6.94	3.32	9.37	7.40	3.34
46	4.32	4.32	2.35	4.81	4.48	2.39	4.98	4.87	2.40	5.31	4.89	2.43	5.47	5.28	2.44	5.80	5.26	2.46	5.96	5.25	2.48	6.13	5.60	2.49		

● Indoor unit : 7000Btu + 14000Btu + 14000Btu

		Indoor temperature																								
		18°CDB			21°CDB			23°CDB			25°CDB			27°CDB			29°CDB			30°CDB			32°CDB			
		°CWB			15°CWB			16°CWB			18°CWB			19°CWB			21°CWB			22°CWB			23°CWB			
7+14+14	Outdoor temperature	(°CDB)	TC	SHC	IP	TC	SHC	IP	TC	SHC	IP	TC	SHC	IP	TC	SHC	IP	TC	SHC	IP	TC	SHC	IP			
		0	7.34	5.88	1.43	8.18	5.92	1.45	8.46	6.43	1.45	9.02	6.46	1.47	9.29	6.97	1.48	9.85	6.94	1.49	10.13	6.93	1.50	10.41	7.39	1.51
		5	6.92	5.70	1.74	7.71	5.73	1.77	7.98	6.23	1.78	8.50	6.25	1.80	8.76	6.75	1.81	9.29	6.73	1.83	9.55	6.71	1.83	9.82	7.16	1.84
		10	7.05	5.75	1.87	7.85	5.79	1.89	8.12	6.29	1.90	8.66	6.32	1.92	8.93	6.82	1.93	9.46	6.79	1.95	9.73	6.78	1.96	10.00	7.23	1.97
		15	7.55	5.97	2.03	8.41	6.01	2.07	8.70	6.53	2.08	9.27	6.56	2.10	9.56	7.08	2.11	10.14	7.05	2.13	10.42	7.04	2.14	10.71	7.51	2.15
		20	7.93	6.14	2.10	8.83	6.18	2.14	9.13	6.71	2.15	9.74	6.74	2.17	10.04	7.27	2.18	10.64	7.25	2.20	10.94	7.23	2.21	11.24	7.72	2.22
		25	8.21	6.26	2.78	9.15	6.30	2.83	9.46	6.85	2.84	10.08	6.87	2.87	10.39	7.42	2.89	11.02	7.39	2.91	11.33	7.38	2.93	11.64	7.87	2.94
		30	7.64	6.01	3.01	8.51	6.05	3.06	8.80	6.57	3.07	9.38	6.60	3.10	9.67	7.12	3.12	10.25	7.10	3.15	10.54	7.09	3.16	10.83	7.56	3.18
		35	7.35	5.88	3.45	8.18	5.92	3.51	8.46	6.43	3.53	9.02	6.46	3.58	9.30	6.97	3.58	9.86	6.95	3.58	10.14	6.93	3.58	10.42	7.40	3.58
		40	6.31	5.31	3.16	7.03	5.34	3.20	7.27	5.80	3.22	7.75	5.83	3.25	7.99	6.29	3.27	8.47	6.27	3.30	8.71	6.26	3.32	8.95	6.67	3.34

● Indoor unit : 7000Btu + 14000Btu + 18000Btu

		Indoor temperature																								
		18°CDB			21°CDB			23°CDB			25°CDB			27°CDB			29°CDB			30°CDB			32°CDB			
		°CDB		°CWB		12°CWB		15°CWB		16°CWB		18°CWB		19°CWB		21°CWB		22°CWB		23°CWB						
7+14+18	Outdoor temperature	(°CDB)	TC	SHC	IP	TC	SHC	IP	TC	SHC	IP	TC	SHC	IP	TC	SHC	IP	TC	SHC	IP	TC	SHC	IP			
		0	8.17	6.60	1.62	9.10	6.64	1.64	9.41	7.22	1.65	10.03	7.25	1.67	10.34	7.82	1.67	10.96	7.80	1.69	11.27	7.78	1.70	11.58	8.30	1.71
		5	7.79	6.44	1.84	8.68	6.48	1.87	8.98	7.04	1.88	9.57	7.07	1.90	9.86	7.63	1.91	10.46	7.60	1.93	10.75	7.59	1.94	11.05	8.10	1.95
		10	7.90	6.48	1.91	8.80	6.53	1.94	9.10	7.09	1.95	9.70	7.12	1.97	10.00	7.68	1.98	10.60	7.66	2.00	10.90	7.64	2.01	11.20	8.15	2.01
		15	8.65	6.81	2.29	9.63	6.86	2.32	9.96	7.45	2.33	10.62	7.48	2.36	10.95	8.07	2.37	11.61	8.04	2.39	11.93	8.03	2.41	12.26	8.57	2.42
		20	8.54	6.76	2.11	9.51	6.81	2.14	9.83	7.40	2.15	10.48	7.43	2.18	10.81	8.02	2.19	11.45	7.99	2.21	11.78	7.97	2.22	12.10	8.50	2.23
		25	9.10	7.01	2.95	10.14	7.05	2.99	10.48	7.67	3.01	11.17	7.70	3.04	11.52	8.31	3.05	12.21	8.28	3.09	12.55	8.26	3.10	12.90	8.81	3.12
		30	8.50	6.75	3.17	9.47	6.79	3.22	9.79	7.38	3.24	10.44	7.41	3.27	10.76	8.00	3.29	11.40	7.97	3.32	11.73	7.95	3.34	12.05	8.48	3.36
		35	7.90	6.49	3.45	8.80	6.53	3.51	9.10	7.09	3.53	9.70	7.12	3.58	10.00	7.69	3.58	10.60	7.66	3.58	10.90	7.64	3.58	11.20	8.15	3.58
		40	6.46	5.60	3.16	7.20	5.63	3.20	7.44	6.12	3.22	7.93	6.14	3.25	8.18	6.63	3.27	8.67	6.61	3.30	8.91	6.60	3.32	9.16	7.04	3.34
46	4.24	4.24	2.35	4.72	4.36	2.39	4.89	4.73	2.40	5.21	4.75	2.43	5.37	5.13	2.44	5.69	5.11	2.46	5.85	5.10	2.48	6.01	5.44	2.49		

● Indoor unit : 7000Btu + 14000Btu + 24000Btu

		Indoor temperature																								
		18°CDB			21°CDB			23°CDB			25°CDB			27°CDB			29°CDB			30°CDB			32°CDB			
		°CDB		°CWB		12°CWB		15°CWB		16°CWB		18°CWB		19°CWB		21°CWB		22°CWB		23°CWB						
7+14+24	Outdoor temperature	(°CDB)	TC	SHC	IP	TC	SHC	IP	TC	SHC	IP	TC	SHC	IP	TC	SHC	IP	TC	SHC	IP	TC	SHC	IP			
		0	8.77	7.18	1.94	9.77	7.23	1.97	10.10	7.85	1.98	10.77	7.88	2.00	11.10	8.51	2.01	11.77	8.48	2.03	12.10	8.46	2.04	12.44	9.03	2.05
		5	8.58	7.10	2.01	9.56	7.14	2.04	9.89	7.76	2.05	10.54	7.79	2.07	10.87	8.41	2.08	11.52	8.38	2.10	11.84	8.37	2.11	12.17	8.92	2.12
		10	8.56	7.09	2.06	9.53	7.13	2.09	9.86	7.75	2.10	10.51	7.78	2.12	10.83	8.40	2.13	11.48	8.37	2.16	11.81	8.35	2.17	12.13	8.91	2.18
		15	8.57	7.09	1.83	9.55	7.14	1.86	9.87	7.76	1.87	10.52	7.79	1.88	10.85	8.40	1.89	11.50	8.37	1.91	11.82	8.36	1.92	12.15	8.92	1.93
		20	8.65	7.13	2.12	9.63	7.17	2.15	9.96	7.79	2.16	10.62	7.82	2.18	10.95	8.44	2.19	11.60	8.41	2.22	11.93	8.40	2.23	12.26	8.96	2.24
		25	9.06	7.31	3.03	10.10	7.35	3.08	10.44	7.99	3.09	11.13	8.02	3.12	11.47	8.66	3.14	12.16	8.63	3.17	12.51	8.61	3.19	12.85	9.19	3.20
		30	8.53	7.07	3.25	9.50	7.12	3.30	9.83	7.74	3.31	10.47	7.77	3.35	10.80	8.38	3.36	11.45	8.35	3.40	11.77	8.34	3.42	12.09	8.90	3.43
		35	7.98	6.83	3.45	8.89	6.88	3.51	9.19	7.47	3.53	9.80	7.50	3.58	10.10	8.10	3.58	10.71	8.07	3.58	11.01	8.06	3.58	11.31	8.59	3.58
		40	6.69	6.03	3.16	7.45	6.07	3.20	7.70	6.59	3.22	8.21	6.62	3.25	8.46	7.15	3.27	8.97	7.12	3.30	9.23	7.11	3.32	9.48	7.58	3.34
46	4.36	4.36	2.35	4.86	4.55	2.39	5.03	4.94	2.40	5.36	4.96	2.43	5.52	5.35	2.44	5.85	5.33	2.46	6.02	5.32	2.48	6.18	5.68	2.49		

● Indoor unit : 7000Btu + 18000Btu + 18000Btu

		Indoor temperature																								
		18°CDB			21°CDB			23°CDB			25°CDB			27°CDB			29°CDB			30°CDB			32°CDB			
		°CDB		°CWB		12°CWB		15°CWB		16°CWB		18°CWB		19°CWB		21°CWB		22°CWB		23°CWB						
7+18+18	Outdoor temperature	(°CDB)	TC	SHC	IP	TC	SHC	IP	TC	SHC	IP	TC	SHC	IP	TC	SHC	IP	TC	SHC	IP	TC	SHC	IP			
		0	8.80	7.09	1.87	9.80	7.14	1.90	10.14	7.76	1.91	10.81	7.79	1.93	11.14	8.41	1.94	11.81	8.38	1.96	12.14	8.36	1.97	12.48	8.92	1.98
		5	8.53	6.97	2.00	9.50	7.02	2.03	9.83	7.63	2.04	10.47	7.66	2.06	10.80	8.27	2.07	11.45	8.24	2.09	11.77	8.22	2.10	12.09	8.77	2.11
		10	8.56	6.99	2.06	9.54	7.03	2.09	9.86	7.64	2.10	10.51	7.67	2.12	10.84	8.28	2.13	11.49	8.25	2.15	11.81	8.24	2.16	12.14	8.79	2.18
		15	8.63	7.02	1.83	9.61	7.06	1.86	9.94	7.67	1.87	10.59	7.70	1.89	10.92	8.32	1.89	11.58	8.29	1.91	11.90	8.27	1.92	12.23	8.82	1.93
		20	8.64	7.02	2.11	9.62	7.07	2.15	9.95	7.68	2.16	10.61	7.71	2.18	10.93	8.32	2.19	11.59	8.29	2.21	11.92	8.28	2.22	12.25	8.83	2.24
		25	9.11	7.23	3.00	10.15	7.27	3.05	10.49	7.90	3.06	11.18	7.93	3.10	11.53	8.56	3.11	12.22	8.53	3.14	12.57	8.52	3.16	12.91	9.09	3.17
		30	8.55	6.98	3.22	9.52	7.03	3.27	9.85	7.64	3.29	10.50	7.67	3.32	10.82	8.27	3.34	11.47	8.25	3.37	11.79	8.23	3.39	12.12	8.78	3.41
		35	7.98	6.73	3.45	8.89	6.78	3.51	9.19	7.36	3.53	9.80	7.39	3.58	10.10	7.98	3.58	10.71	7.95	3.58	11.01	7.94	3.58	11.31	8.47	3.58
		40	6.61	5.89	3.16	7.36	5.92	3.20	7.62	6.44	3.22	8.12	6.46	3.25	8.37	6.97	3.27	8.87	6.95	3.30	9.12	6.94	3.32	9.37	7.40	3.34
46	4.32	4.32	2.35	4.81	4.48	2.39	4.98	4.87	2.40	5.31	4.89	2.43	5.47	5.28	2.44	5.80	5.26	2.46	5.96	5.25	2.48	6.13	5.60	2.49		

● Indoor unit : 7000Btu + 18000Btu + 24000Btu

		Indoor temperature																								
		18°CDB			21°CDB			23°CDB			25°CDB			27°CDB			29°CDB			30°CDB			32°CDB			
		°CDB		°CWB		12°CWB		15°CWB		16°CWB		18°CWB		19°CWB		21°CWB		22°CWB		23°CWB						
7+18+24	Outdoor temperature	(°CDB)	TC	SHC	IP	TC	SHC	IP	TC	SHC	IP	TC	SHC	IP	TC	SHC	IP	TC	SHC	IP	TC	SHC	IP			
		0	8.74	7.38	2.07	9.74	7.43	2.10	10.07	8.08	2.11	10.74	8.11	2.13	11.07	8.75	2.15	11.73	8.72	2.17	12.06	8.70	2.18	12.40	9.29	2.19
		5	8.74	7.38	2.02	9.73	7.43	2.06	10.07	8.07	2.07	10.73	8.11	2.09	11.06	8.75	2.10	11.73	8.72	2.12	12.06	8.70	2.13	12.39	9.28	2.14
		10	8.57	7.31	2.07	9.55	7.36	2.10	9.87	7.99	2.11	10.52	8.02	2.13	10.85	8.66	2.14	11.50	8.63	2.16	11.82	8.61	2.17	12.15	9.19	2.18
		15	8.45	7.25	1.82	9.41	7.30	1.85	9.73	7.93	1.86	10.37	7.97	1.88	10.69	8.60	1.89	11.33	8.57	1.91	11.65	8.55	1.92	11.97	9.12	1.93
		20	8.67	7.35	2.12	9.66	7.40	2.16	9.99	8.04	2.17	10.65	8.07	2.19	10.97	8.71	2.20	11.63	8.68	2.22	11.96	8.67	2.23	12.29	9.25	2.24
		25	8.97	7.49	3.08	9.99	7.53	3.13	10.34	8.19	3.15	11.02	8.22	3.18	11.36	8.87	3.20	12.04	8.84	3.23	12.38	8.82	3.24	12.72	9.41	3.26
		30	8.50	7.28	3.30	9.46	7.32	3.35	9.79	7.96	3.36	10.43	7.99	3.40	10.75	8.62	3.41	11.40	8.59	3.45	11.72	8.58	3.47	12.04	9.15	3.48
		35	7.98	7.05	3.45	8.89	7.10	3.51	9.19	7.71	3.53	9.80	7.74	3.58	10.10	8.36	3.58	10.71	8.33	3.58	11.01	8.31	3.58	11.31	8.87	3.58
		40	6.84	6.32	3.16	7.62	6.36	3.20	7.88	6.91	3.22	8.40	6.94	3.25	8.66	7.49	3.27	9.17	7.46	3.30	9.43	7.45	3.32	9.69	7.95	3.34
46	4.44	4.44	2.35	4.95	4.67	2.39	5.12	5.08	2.40	5.46	5.10	2.43	5.62	5.50	2.44	5.96	5.48	2.46	6.13	5.47	2.48	6.30	5.84	2.49		

TC : Total Capacity (kW)
 SHC : Sensible Heat Capacity (kW)
 IP : Input Power (kW)

● Indoor unit : 9000Btu + 9000Btu + 9000Btu

		Indoor temperature																										
		°CDB			18°CDB			21°CDB			23°CDB			25°CDB			27°CDB			29°CDB			30°CDB			32°CDB		
		°CWB			12°CWB			15°CWB			16°CWB			18°CWB			19°CWB			21°CWB			22°CWB			23°CWB		
9+9+9	Outdoor temperature	(°CDB)	TC	SHC	IP	TC	SHC	IP	TC	SHC	IP	TC	SHC	IP	TC	SHC	IP	TC	SHC	IP	TC	SHC	IP	TC	SHC	IP		
		0	5.55	4.75	1.32	6.19	4.78	1.34	6.40	5.19	1.34	6.82	5.21	1.36	7.03	5.63	1.36	7.45	5.61	1.38	7.66	5.60	1.38	7.87	5.97	1.39		
		5	5.18	4.58	1.46	5.77	4.61	1.48	5.97	5.01	1.49	6.36	5.03	1.50	6.56	5.43	1.51	6.95	5.41	1.53	7.15	5.40	1.53	7.34	5.76	1.54		
		10	5.25	4.61	1.16	5.85	4.64	1.18	6.05	5.04	1.18	6.44	5.06	1.19	6.64	5.47	1.20	7.04	5.45	1.21	7.24	5.44	1.22	7.44	5.80	1.22		
		15	6.74	5.28	1.62	7.51	5.31	1.65	7.77	5.77	1.66	8.28	5.79	1.67	8.54	6.25	1.68	9.05	6.23	1.70	9.31	6.22	1.71	9.56	6.64	1.72		
		20	7.22	5.49	1.91	8.04	5.52	1.94	8.32	6.00	1.94	8.87	6.03	1.96	9.14	6.51	1.97	9.69	6.48	1.99	9.96	6.47	2.00	10.24	6.90	2.01		
		25	6.90	5.35	2.22	7.68	5.38	2.25	7.95	5.85	2.26	8.47	5.87	2.29	8.73	6.34	2.30	9.26	6.31	2.32	9.52	6.30	2.33	9.78	6.72	2.34		
		30	6.39	5.12	2.41	7.12	5.15	2.45	7.36	5.60	2.46	7.84	5.62	2.49	8.09	6.07	2.50	8.57	6.05	2.53	8.81	6.03	2.54	9.06	6.44	2.55		
		35	7.03	5.41	3.30	7.83	5.44	3.35	8.10	5.91	3.37	8.63	5.93	3.40	8.90	6.41	3.42	9.43	6.38	3.45	9.70	6.37	3.47	9.97	6.80	3.49		
		40	6.01	4.73	3.16	6.69	4.76	3.20	6.92	5.17	3.22	7.38	5.19	3.25	7.61	5.60	3.27	8.06	5.58	3.30	8.29	5.57	3.32	8.52	5.95	3.34		
46	4.00	3.95	2.35	4.46	3.98	2.39	4.61	4.32	2.40	4.91	4.34	2.43	5.06	4.68	2.44	5.37	4.67	2.46	5.52	4.66	2.48	5.67	4.97	2.49				

● Indoor unit : 9000Btu + 9000Btu + 12000Btu

		Indoor temperature																										
		°CDB			18°CDB			21°CDB			23°CDB			25°CDB			27°CDB			29°CDB			30°CDB			32°CDB		
		°CWB			12°CWB			15°CWB			16°CWB			18°CWB			19°CWB			21°CWB			22°CWB			23°CWB		
9+9+12	Outdoor temperature	(°CDB)	TC	SHC	IP	TC	SHC	IP	TC	SHC	IP	TC	SHC	IP	TC	SHC	IP	TC	SHC	IP	TC	SHC	IP	TC	SHC	IP		
		0	6.87	5.46	1.74	7.65	5.50	1.77	7.91	5.97	1.78	8.44	6.00	1.80	8.70	6.47	1.81	9.22	6.45	1.83	9.48	6.44	1.83	9.74	6.87	1.84		
		5	6.42	5.26	1.91	7.15	5.30	1.94	7.40	5.76	1.95	7.88	5.78	1.97	8.13	6.24	1.98	8.61	6.21	2.00	8.86	6.20	2.01	9.10	6.62	2.02		
		10	6.53	5.31	1.57	7.28	5.35	1.59	7.53	5.81	1.60	8.02	5.83	1.62	8.27	6.30	1.62	8.77	6.27	1.64	9.01	6.26	1.65	9.26	6.68	1.66		
		15	7.14	5.58	1.81	7.95	5.62	1.84	8.22	6.10	1.85	8.76	6.13	1.87	9.04	6.61	1.88	9.58	6.59	1.90	9.85	6.58	1.91	10.12	7.02	1.92		
		20	7.75	5.85	2.07	8.63	5.89	2.11	8.93	6.40	2.12	9.52	6.42	2.14	9.81	6.93	2.15	10.40	6.91	2.17	10.69	6.90	2.18	10.99	7.36	2.19		
		25	7.37	5.68	2.44	8.21	5.72	2.48	8.49	6.21	2.50	9.05	6.24	2.52	9.33	6.73	2.53	9.89	6.71	2.56	10.17	6.70	2.57	10.45	7.14	2.58		
		30	6.83	5.45	2.65	7.61	5.48	2.69	7.87	5.96	2.71	8.39	5.98	2.74	8.65	6.45	2.75	9.17	6.43	2.78	9.43	6.42	2.79	9.69	6.85	2.80		
		35	7.19	5.60	3.42	8.01	5.64	3.47	8.28	6.13	3.49	8.83	6.15	3.52	9.10	6.64	3.54	9.65	6.62	3.58	9.92	6.60	3.58	10.19	7.04	3.58		
		40	6.12	4.95	3.16	6.82	4.98	3.20	7.05	5.41	3.22	7.52	5.43	3.25	7.75	5.86	3.27	8.21	5.84	3.30	8.45	5.83	3.32	8.68	6.22	3.34		
46	4.06	4.05	2.35	4.52	4.07	2.39	4.68	4.42	2.40	4.99	4.44	2.43	5.14	4.79	2.44	5.45	4.78	2.46	5.60	4.77	2.48	5.76	5.09	2.49				

● Indoor unit : 9000Btu + 9000Btu + 14000Btu

		Indoor temperature																										
		°CDB			18°CDB			21°CDB			23°CDB			25°CDB			27°CDB			29°CDB			30°CDB			32°CDB		
		°CWB			12°CWB			15°CWB			16°CWB			18°CWB			19°CWB			21°CWB			22°CWB			23°CWB		
9+9+14	Outdoor temperature	(°CDB)	TC	SHC	IP	TC	SHC	IP	TC	SHC	IP	TC	SHC	IP	TC	SHC	IP	TC	SHC	IP	TC	SHC	IP	TC	SHC	IP		
		0	6.88	5.55	1.25	7.66	5.59	1.27	7.93	6.07	1.27	8.45	6.09	1.29	8.71	6.58	1.29	9.23	6.56	1.31	9.49	6.54	1.31	9.75	6.98	1.32		
		5	6.45	5.36	1.62	7.18	5.40	1.64	7.43	5.86	1.65	7.92	5.89	1.67	8.16	6.35	1.68	8.65	6.33	1.69	8.90	6.32	1.70	9.14	6.74	1.71		
		10	6.57	5.41	1.65	7.32	5.45	1.67	7.57	5.92	1.68	8.07	5.94	1.70	8.32	6.42	1.70	8.81	6.39	1.72	9.06	6.38	1.73	9.31	6.81	1.74		
		15	7.53	5.84	1.96	8.39	5.87	1.99	8.67	6.38	2.00	9.25	6.41	2.02	9.53	6.92	2.03	10.10	6.89	2.05	10.39	6.88	2.06	10.68	7.34	2.07		
		20	7.84	5.97	2.09	8.73	6.01	2.13	9.03	6.53	2.14	9.62	6.56	2.16	9.92	7.08	2.17	10.52	7.05	2.19	10.81	7.04	2.20	11.11	7.51	2.21		
		25	8.17	6.12	2.74	9.10	6.16	2.78	9.41	6.69	2.79	10.03	6.72	2.82	10.34	7.25	2.84	10.96	7.22	2.87	11.27	7.21	2.88	11.58	7.69	2.89		
		30	7.58	5.86	2.97	8.45	5.90	3.01	8.74	6.41	3.03	9.31	6.43	3.06	9.60	6.95	3.07	10.17	6.92	3.10	10.46	6.91	3.12	10.75	7.37	3.13		
		35	7.27	5.72	3.45	8.10	5.76	3.51	8.37	6.26	3.53	8.92	6.28	3.58	9.20	6.78	3.58	9.75	6.76	3.60	10.03	6.74	3.58	10.30	7.20	3.58		
		40	6.20	5.09	3.16	6.90	5.12	3.20	7.14	5.57	3.22	7.61	5.59	3.25	7.84	6.03	3.27	8.31	6.01	3.30	8.55	6.00	3.32	8.79	6.40	3.34		
46	4.10	4.10	2.35	4.57	4.13	2.39	4.72	4.49	2.40	5.03	4.51	2.43	5.19	4.87	2.44	5.50	4.85	2.46	5.66	4.84	2.48	5.81	5.17	2.49				

● Indoor unit : 9000Btu + 9000Btu + 18000Btu

		Indoor temperature																										
		°CDB			18°CDB			21°CDB			23°CDB			25°CDB			27°CDB			29°CDB			30°CDB			32°CDB		
		°CWB			12°CWB			15°CWB			16°CWB			18°CWB			19°CWB			21°CWB			22°CWB			23°CWB		
9+9+18	Outdoor temperature	(°CDB)	TC	SHC	IP	TC	SHC	IP	TC	SHC	IP	TC	SHC	IP	TC	SHC	IP	TC	SHC	IP	TC	SHC	IP	TC	SHC	IP		
		0	7.79	6.38	1.45	8.67	6.42	1.47	8.97	6.98	1.48	9.56	7.00	1.49	9.86	7.56	1.50	10.45	7.53	1.51	10.74	7.52	1.52	11.04	8.02	1.53		
		5	7.36	6.19	1.74	8.20	6.23	1.76	8.48	6.77	1.77	9.04	6.80	1.79	9.32	7.33	1.80	9.88	7.31	1.82	10.16	7.30	1.83	10.44	7.78	1.84		
		10	7.49	6.25	1.89	8.35	6.29	1.92	8.63	6.83	1.93	9.20	6.86	1.95	9.48	7.40	1.96	10.05	7.38	1.98	10.34	7.36	1.99	10.62	7.86	2.00		
		15	8.64	6.76	2.20	9.62	6.80	2.24	9.95	7.39	2.25	10.60	7.42	2.27	10.93	8.01	2.28	11.59	7.98	2.31	11.92	7.96	2.32	12.24	8.50	2.33		
		20	8.44	6.67	2.09	9.40	6.71	2.13	9.73	7.29	2.14	10.37	7.32	2.16	10.69	7.90	2.17	11.33	7.88	2.19	11.65	7.86	2.20	11.97	8.39	2.21		
		25	9.06	6.95	2.89	10.10	6.99	2.94	10.44	7.60	2.95	11.13	7.63	2.98	11.47	8.23	3.00	12.16	8.20	3.03	12.50	8.19	3.04	12.85	8.73	3.06		
		30	8.44	6.67	3.12	9.40	6.71	3.17	9.72	7.29	3.19	10.36	7.32	3.22	10.69	7.90	3.23	11.33	7.88	3.27	11.65	7.86	3.28	11.97	8.39	3.30		
		35	7.82	6.39	3.44	8.71	6.43	3.49	9.01	6.99	3.51	9.60	7.02	3.54	9.90	7.58	3.56	10.49	7.55	3.58	10.79	7.54	3.58	11.09	8.04	3.58		
		40	6.35	5.38	3.16	7.																						

● Indoor unit : 9000Btu + 9000Btu + 24000Btu

		Indoor temperature																										
		°CDB			18°CDB			21°CDB			23°CDB			25°CDB			27°CDB			29°CDB			30°CDB			32°CDB		
		°CWB			12°CWB			15°CWB			16°CWB			18°CWB			19°CWB			21°CWB			22°CWB			23°CWB		
9+9+24	Outdoor temperature	(°CDB)	TC	SHC	IP	TC	SHC	IP	TC	SHC	IP	TC	SHC	IP	TC	SHC	IP	TC	SHC	IP	TC	SHC	IP	TC	SHC	IP		
		0	8.82	7.09	1.82	9.82	7.13	1.85	10.16	7.75	1.86	10.83	7.78	1.88	11.16	8.40	1.88	11.83	8.37	1.90	12.17	8.35	1.91	12.50	8.91	1.92		
		5	8.51	6.95	1.97	9.48	7.00	2.01	9.80	7.60	2.02	10.45	7.63	2.04	10.77	8.24	2.05	11.42	8.21	2.07	11.74	8.20	2.08	12.07	8.74	2.09		
		10	8.57	6.98	2.03	9.54	7.02	2.07	9.87	7.63	2.08	10.52	7.66	2.10	10.84	8.27	2.11	11.49	8.24	2.13	11.82	8.22	2.14	12.15	8.77	2.15		
		15	8.66	7.02	1.81	9.64	7.06	1.84	9.97	7.67	1.85	10.63	7.70	1.87	10.96	8.32	1.87	11.61	8.29	1.89	11.94	8.27	1.90	12.27	8.82	1.91		
		20	8.63	7.01	2.09	9.62	7.05	2.12	9.95	7.66	2.13	10.60	7.69	2.15	10.93	8.30	2.17	11.58	8.27	2.19	11.91	8.26	2.20	12.24	8.81	2.21		
		25	9.13	7.22	2.96	10.17	7.27	3.00	10.52	7.90	3.02	11.21	7.93	3.05	11.56	8.56	3.06	12.25	8.53	3.09	12.60	8.52	3.11	12.94	9.08	3.12		
		30	8.56	6.97	3.17	9.53	7.02	3.22	9.86	7.63	3.24	10.51	7.66	3.27	10.83	8.26	3.29	11.48	8.23	3.32	11.81	8.22	3.34	12.13	8.77	3.36		
		35	7.98	6.72	3.42	8.89	6.76	3.47	9.19	7.35	3.49	9.80	7.38	3.52	10.10	7.96	3.54	10.71	7.93	3.58	11.01	7.92	3.58	11.31	8.45	3.58		
		40	6.57	5.81	3.16	7.32	5.85	3.20	7.57	6.36	3.22	8.07	6.38	3.25	8.32	6.89	3.27	8.82	6.86	3.30	9.07	6.85	3.32	9.32	7.31	3.34		
46	4.30	4.30	2.35	4.79	4.45	2.39	4.96	4.84	2.40	5.28	4.86	2.43	5.45	5.24	2.44	5.77	5.22	2.46	5.94	5.21	2.48	6.10	5.56	2.49				

● Indoor unit : 9000Btu + 12000Btu + 12000Btu

		Indoor temperature																										
		°CDB			18°CDB			21°CDB			23°CDB			25°CDB			27°CDB			29°CDB			30°CDB			32°CDB		
		°CWB			12°CWB			15°CWB			16°CWB			18°CWB			19°CWB			21°CWB			22°CWB			23°CWB		
9+12+12	Outdoor temperature	(°CDB)	TC	SHC	IP	TC	SHC	IP	TC	SHC	IP	TC	SHC	IP	TC	SHC	IP	TC	SHC	IP	TC	SHC	IP	TC	SHC	IP		
		0	6.78	5.51	1.26	7.55	5.54	1.28	7.80	6.02	1.29	8.32	6.05	1.30	8.58	6.53	1.31	9.09	6.51	1.32	9.35	6.49	1.33	9.61	6.93	1.34		
		5	6.36	5.33	1.61	7.09	5.36	1.63	7.33	5.83	1.64	7.81	5.81	1.66	8.05	6.31	1.67	8.54	6.29	1.68	8.78	6.28	1.69	9.02	6.70	1.70		
		10	6.48	5.38	1.66	7.22	5.41	1.69	7.47	5.88	1.70	7.96	5.91	1.71	8.21	6.38	1.72	8.70	6.35	1.74	8.94	6.34	1.75	9.19	6.76	1.76		
		15	7.43	5.80	1.97	8.28	5.83	2.00	8.56	6.34	2.01	9.12	6.36	2.03	9.40	6.87	2.04	9.97	6.84	2.06	10.25	6.83	2.07	10.53	7.29	2.08		
		20	7.75	5.94	2.08	8.64	5.98	2.11	8.93	6.50	2.12	9.52	6.52	2.14	9.82	7.04	2.15	10.40	7.01	2.17	10.70	7.00	2.19	10.99	7.47	2.20		
		25	8.06	6.08	2.73	8.98	6.11	2.77	9.29	6.64	2.78	9.90	6.67	2.81	10.21	7.20	2.83	10.82	7.17	2.86	11.13	7.16	2.87	11.43	7.64	2.88		
		30	7.49	5.82	2.95	8.35	5.86	3.00	8.63	6.37	3.01	9.20	6.39	3.04	9.48	6.90	3.06	10.05	6.88	3.09	10.34	6.87	3.11	10.62	7.32	3.12		
		35	7.19	5.69	3.42	8.01	5.73	3.47	8.28	6.22	3.49	8.83	6.25	3.52	9.10	6.74	3.54	9.65	6.72	3.58	9.92	6.71	3.58	10.19	7.16	3.58		
		40	6.23	5.16	3.16	6.94	5.20	3.20	7.18	5.65	3.22	7.66	5.67	3.25	7.89	6.12	3.27	8.37	6.10	3.30	8.60	6.08	3.32	8.84	6.49	3.34		
46	4.12	4.12	2.35	4.59	4.17	2.39	4.75	4.53	2.40	5.06	4.54	2.43	5.22	4.91	2.44	5.53	4.89	2.46	5.69	4.88	2.48	5.84	5.21	2.49				

● Indoor unit : 9000Btu + 12000Btu + 14000Btu

		Indoor temperature																										
		°CDB			18°CDB			21°CDB			23°CDB			25°CDB			27°CDB			29°CDB			30°CDB			32°CDB		
		°CWB			12°CWB			15°CWB			16°CWB			18°CWB			19°CWB			21°CWB			22°CWB			23°CWB		
9+12+14	Outdoor temperature	(°CDB)	TC	SHC	IP	TC	SHC	IP	TC	SHC	IP	TC	SHC	IP	TC	SHC	IP	TC	SHC	IP	TC	SHC	IP	TC	SHC	IP		
		0	7.26	5.82	1.42	8.09	5.85	1.44	8.37	6.36	1.45	8.92	6.39	1.47	9.19	6.89	1.47	9.75	6.87	1.49	10.02	6.86	1.49	10.30	7.31	1.50		
		5	6.85	5.64	1.74	7.63	5.67	1.77	7.89	6.16	1.78	8.41	6.19	1.79	8.67	6.68	1.80	9.19	6.65	1.82	9.45	6.64	1.83	9.71	7.09	1.84		
		10	6.98	5.69	1.86	7.77	5.73	1.89	8.03	6.22	1.90	8.56	6.25	1.92	8.83	6.74	1.93	9.36	6.72	1.95	9.62	6.71	1.96	9.89	7.16	1.97		
		15	7.47	5.91	2.03	8.32	5.95	2.06	8.61	6.46	2.07	9.18	6.49	2.09	9.46	7.00	2.10	10.03	6.98	2.12	10.31	6.96	2.13	10.59	7.43	2.14		
		20	7.84	6.07	2.10	8.74	6.11	2.13	9.03	6.64	2.14	9.63	6.67	2.16	9.93	7.20	2.17	10.52	7.17	2.20	10.82	7.16	2.21	11.12	7.63	2.22		
		25	8.12	6.19	2.78	9.05	6.23	2.82	9.36	6.77	2.83	9.97	6.80	2.86	10.28	7.34	2.88	10.90	7.31	2.91	11.21	7.30	2.92	11.51	7.79	2.94		
		30	7.56	5.95	3.00	8.42	5.98	3.05	8.71	6.50	3.06	9.28	6.53	3.09	9.57	7.05	3.11	10.14	7.02	3.14	10.43	7.01	3.16	10.72	7.48	3.17		
		35	7.27	5.82	3.45	8.10	5.86	3.51	8.37	6.36	3.53	8.92	6.39	3.58	9.20	6.90	3.58	9.75	6.87	3.58	10.03	6.86	3.58	10.30	7.32	3.58		
		40	6.31	5.31	3.16	7.03	5.34	3.20	7.27	5.80	3.22	7.75	5.83	3.25	7.99	6.29	3.27	8.47	6.27	3.30	8.71	6.26	3.32	8.95	6.67	3.34		
46	4.16	4.16	2.35	4.64	4.23	2.39	4.79	4.60	2.40	5.11	4.61	2.43	5.27	4.98	2.44	5.58	4.96	2.46	5.74	4.95	2.48	5.90	5.28	2.49				

● Indoor unit : 9000Btu + 12000Btu + 18000Btu

		Indoor temperature																										
		°CDB			18°CDB			21°CDB			23°CDB			25°CDB			27°CDB			29°CDB			30°CDB			32°CDB		
		°CWB			12°CWB			15°CWB			16°CWB			18°CWB			19°CWB			21°CWB			22°CWB			23°CWB		
9+12+18	Outdoor temperature	(°CDB)	TC	SHC	IP	TC	SHC	IP	TC	SHC	IP	TC	SHC	IP	TC	SHC	IP	TC	SHC	IP	TC	SHC	IP	TC	SHC	IP		
		0	8.09	6.54	1.61	9.01	6.58	1.63	9.31	7.15	1.64	9.93	7.18	1.66	10.23	7.75	1.67	10.85	7.72	1.68	11.16	7.70	1.69	11.46	8.22	1.70		
		5	7.72	6.37	1.83	8.59	6.41	1.86	8.89	6.97	1.87	9.47	7.00	1.89	9.77	7.55	1.90	10.35	7.53	1.92	10.65	7.51	1.93	10.94	8.01	1.94		
		10	7.82	6.42	1.90	8.71	6.46	1.93	9.01	7.02	1.93	9.60	7.05	1.95	9.90	7.61	1.96	10.49	7.58	1.98	10.79	7.57	1.99	11.09	8.07	2.00		
		15	8.56	6.74	2.27	9.54	6.79	2.31	9.86	7.38	2.32	10.51	7.40	2.34	10.84	7.99	2.36	11.49	7.96	2.38	11.81	7.95	2.39	12.14	8.48	2.40		
		20	8.45	6.70	2.10	9.41	6.74	2.13	9.74	7.32	2.14	10.38	7.35	2.16	10.70	7.94	2.17	11.34	7.91	2.20	11.66	7.89	2.21	11.98	8.42	2.22		
		25	9.01	6.94	2.93	10.03	6.98	2.98	10.38	7.59	2.99	11.06	7.62	3.02	11.40	8.22	3.04	12.09	8.19	3.07	12.43	8.18	3.08	12.77	8.73	3.10		
		30	8.41	6.68	3.16	9.37	6.72	3.21	9.69	7.31	3.22	10.33	7.33	3.25	10.65	7.92	3.27	11.29	7.89	3.30	11.61	7.87	3.32	11.93	8.40	3.34		
		35	7.82	6.42	3.44	8.71	6.46	3.49	9.01	7.02	3.51	9.60	7.05	3.54	9.90	7.61	3.56	10.49	7.58	3.58	10.79	7.57	3.58	11.09	8.07	3.58		
		40	6.46	5.60	3.16	7.20	5.63	3.20	7.44	6.12	3.22	7.93																

● Indoor unit : 9000Btu + 12000Btu + 24000Btu

		Indoor temperature																								
		18°CDB			21°CDB			23°CDB			25°CDB			27°CDB			29°CDB			30°CDB			32°CDB			
		°CDB		°CWB		12°CWB		15°CWB		16°CWB		18°CWB		19°CWB		21°CWB		22°CWB		23°CWB						
9+12+24	Outdoor temperature	(°CDB)	TC	SHC	IP	TC	SHC	IP	TC	SHC	IP	TC	SHC	IP	TC	SHC	IP	TC	SHC	IP	TC	SHC	IP	TC	SHC	IP
		0	8.77	7.18	1.93	9.77	7.23	1.96	10.10	7.85	1.97	10.77	7.88	1.99	11.10	8.51	2.00	11.77	8.48	2.02	12.10	8.46	2.03	12.44	9.03	2.04
		5	8.58	7.10	2.00	9.56	7.14	2.03	9.89	7.76	2.04	10.54	7.79	2.06	10.87	8.41	2.07	11.52	8.38	2.09	11.84	8.37	2.10	12.17	8.92	2.11
		10	8.56	7.09	2.05	9.53	7.13	2.08	9.86	7.75	2.09	10.51	7.78	2.11	10.83	8.40	2.12	11.48	8.37	2.14	11.81	8.35	2.15	12.13	8.91	2.17
		15	8.57	7.09	1.82	9.55	7.14	1.85	9.87	7.76	1.85	10.52	7.79	1.87	10.85	8.40	1.88	11.50	8.37	1.90	11.82	8.36	1.91	12.15	8.92	1.92
		20	8.65	7.13	2.11	9.63	7.17	2.14	9.96	7.79	2.15	10.62	7.82	2.17	10.95	8.44	2.18	11.60	8.41	2.20	11.93	8.40	2.21	12.26	8.96	2.23
		25	9.06	7.31	3.01	10.10	7.35	3.06	10.44	7.99	3.07	11.13	8.02	3.11	11.47	8.66	3.12	12.16	8.63	3.15	12.51	8.61	3.17	12.85	9.19	3.18
		30	8.53	7.07	3.23	9.50	7.12	3.28	9.83	7.74	3.30	10.47	7.77	3.33	10.80	8.38	3.35	11.45	8.35	3.38	11.77	8.34	3.40	12.09	8.90	3.41
		35	7.98	6.83	3.44	8.89	6.88	3.49	9.19	7.47	3.51	9.80	7.50	3.54	10.10	8.10	3.56	10.71	8.07	3.58	11.01	8.06	3.58	11.31	8.59	3.58
		40	6.69	6.03	3.16	7.45	6.07	3.20	7.70	6.59	3.22	8.21	6.62	3.25	8.46	7.15	3.27	8.97	7.12	3.30	9.23	7.11	3.32	9.48	7.58	3.34
46	4.36	4.36	2.35	4.86	4.55	2.39	5.03	4.94	2.40	5.36	4.96	2.43	5.52	5.35	2.44	5.85	5.33	2.46	6.02	5.32	2.48	6.18	5.68	2.49		

● Indoor unit : 9000Btu + 14000Btu + 14000Btu

		Indoor temperature																								
		18°CDB			21°CDB			23°CDB			25°CDB			27°CDB			29°CDB			30°CDB			32°CDB			
		°CDB		°CWB		12°CWB		15°CWB		16°CWB		18°CWB		19°CWB		21°CWB		22°CWB		23°CWB						
9+14+14	Outdoor temperature	(°CDB)	TC	SHC	IP	TC	SHC	IP	TC	SHC	IP	TC	SHC	IP	TC	SHC	IP	TC	SHC	IP	TC	SHC	IP	TC	SHC	IP
		0	7.29	6.36	1.48	8.12	6.40	1.51	8.40	6.95	1.51	8.95	6.98	1.53	9.23	7.53	1.54	9.78	7.51	1.55	10.06	7.49	1.56	10.34	7.99	1.57
		5	6.91	6.18	1.75	7.70	6.22	1.78	7.96	6.76	1.79	8.49	6.78	1.81	8.75	7.32	1.81	9.27	7.30	1.83	9.54	7.28	1.84	9.80	7.77	1.85
		10	7.03	6.23	1.93	7.83	6.27	1.96	8.09	6.82	1.97	8.63	6.84	1.99	8.89	7.39	2.00	9.43	7.36	2.02	9.69	7.35	2.03	9.96	7.84	2.04
		15	8.09	6.73	2.24	9.01	6.77	2.27	9.32	7.36	2.29	9.93	7.39	2.31	10.24	7.98	2.32	10.86	7.95	2.34	11.16	7.93	2.35	11.47	8.46	2.37
		20	7.93	6.66	2.11	8.84	6.70	2.14	9.14	7.28	2.15	9.74	7.31	2.17	10.04	7.89	2.18	10.64	7.86	2.21	10.95	7.85	2.22	11.25	8.37	2.23
		25	8.50	6.92	2.92	9.46	6.97	2.97	9.79	7.57	2.98	10.43	7.60	3.01	10.76	8.20	3.03	11.40	8.17	3.06	11.72	8.16	3.07	12.05	8.70	3.09
		30	7.92	6.65	3.15	8.82	6.70	3.20	9.12	7.28	3.22	9.73	7.30	3.25	10.03	7.88	3.26	10.63	7.86	3.30	10.93	7.84	3.31	11.23	8.36	3.33
		35	7.35	6.38	3.45	8.18	6.42	3.51	8.46	6.98	3.53	9.02	7.01	3.58	9.30	7.56	3.58	9.86	7.54	3.58	10.14	7.52	3.58	10.42	8.03	3.58
		40	6.39	5.45	3.16	7.11	5.49	3.20	7.36	5.96	3.22	7.84	5.99	3.25	8.08	6.46	3.27	8.57	6.44	3.30	8.81	6.43	3.32	9.05	6.85	3.34
46	4.20	4.20	2.35	4.68	4.29	2.39	4.84	4.66	2.40	5.16	4.68	2.43	5.32	5.06	2.44	5.64	5.04	2.46	5.80	5.03	2.48	5.96	5.36	2.49		

● Indoor unit : 9000Btu + 14000Btu + 18000Btu

		Indoor temperature																								
		18°CDB			21°CDB			23°CDB			25°CDB			27°CDB			29°CDB			30°CDB			32°CDB			
		°CDB		°CWB		12°CWB		15°CWB		16°CWB		18°CWB		19°CWB		21°CWB		22°CWB		23°CWB						
9+14+18	Outdoor temperature	(°CDB)	TC	SHC	IP	TC	SHC	IP	TC	SHC	IP	TC	SHC	IP	TC	SHC	IP	TC	SHC	IP	TC	SHC	IP	TC	SHC	IP
		0	8.12	6.67	1.68	9.05	6.71	1.70	9.36	7.30	1.71	9.98	7.32	1.73	10.28	7.91	1.74	10.90	7.88	1.76	11.21	7.86	1.76	11.52	8.39	1.77
		5	7.81	6.53	1.85	8.70	6.58	1.88	9.00	7.15	1.89	9.59	7.17	1.91	9.89	7.74	1.92	10.48	7.72	1.94	10.78	7.70	1.95	11.07	8.22	1.96
		10	7.88	6.57	1.91	8.78	6.61	1.94	9.08	7.18	1.95	9.68	7.21	1.97	9.98	7.78	1.98	10.58	7.75	2.00	10.88	7.74	2.01	11.17	8.26	2.02
		15	8.60	6.88	1.83	9.58	6.92	1.86	9.90	7.52	1.87	10.56	7.55	1.89	10.88	8.15	1.90	11.53	8.12	1.92	11.86	8.11	1.92	12.19	8.65	1.93
		20	8.54	6.85	2.11	9.52	6.90	2.15	9.84	7.50	2.16	10.49	7.53	2.18	10.82	8.12	2.19	11.46	8.09	2.21	11.79	8.08	2.22	12.11	8.62	2.23
		25	9.06	7.08	2.98	10.09	7.13	3.02	10.44	7.74	3.04	11.12	7.77	3.07	11.47	8.39	3.08	12.16	8.36	3.11	12.50	8.35	3.13	12.84	8.90	3.14
		30	8.48	6.83	3.20	9.45	6.87	3.25	9.77	7.47	3.26	10.41	7.50	3.30	10.74	8.09	3.31	11.38	8.06	3.35	11.70	8.05	3.36	12.02	8.58	3.38
		35	7.90	6.57	3.45	8.80	6.62	3.51	9.10	7.19	3.53	9.70	7.22	3.58	10.00	7.79	3.58	10.60	7.76	3.58	10.90	7.75	3.58	11.20	8.27	3.58
		40	6.54	5.74	3.16	7.28	5.78	3.20	7.53	6.28	3.22	8.03	6.30	3.25	8.27	6.80	3.27	8.77	6.78	3.30	9.02	6.77	3.32	9.27	7.22	3.34
46	4.28	4.28	2.35	4.77	4.42	2.39	4.93	4.80	2.40	5.26	4.82	2.43	5.42	5.20	2.44	5.75	5.19	2.46	5.91	5.18	2.48	6.07	5.52	2.49		

● Indoor unit : 9000Btu + 14000Btu + 24000Btu

		Indoor temperature																								
		18°CDB			21°CDB			23°CDB			25°CDB			27°CDB			29°CDB			30°CDB			32°CDB			
		°CDB		°CWB		12°CWB		15°CWB		16°CWB		18°CWB		19°CWB		21°CWB		22°CWB		23°CWB						
9+14+24	Outdoor temperature	(°CDB)	TC	SHC	IP	TC	SHC	IP	TC	SHC	IP	TC	SHC	IP	TC	SHC	IP	TC	SHC	IP	TC	SHC	IP	TC	SHC	IP
		0	8.75	7.28	1.99	9.75	7.32	2.02	10.08	7.96	2.03	10.75	7.99	2.05	11.08	8.63	2.07	11.75	8.59	2.09	12.08	8.58	2.10	12.41	9.15	2.11
		5	8.65	7.23	2.01	9.64	7.28	2.04	9.97	7.91	2.05	10.62	7.94	2.07	10.95	8.57	2.08	11.61	8.54	2.10	11.94	8.53	2.11	12.27	9.10	2.12
		10	8.56	7.19	2.05	9.54	7.24	2.08	9.86	7.87	2.09	10.51	7.90	2.11	10.84	8.53	2.13	11.49	8.49	2.15	11.81	8.48	2.16	12.14	9.05	2.17
		15	8.51	7.17	1.82	9.48	7.22	1.84	9.80	7.84	1.85	10.45	7.87	1.87	10.77	8.50	1.88	11.42	8.47	1.90	11.74	8.45	1.91	12.06	9.02	1.92
		20	8.66	7.24	2.11	9.64	7.28	2.14	9.97	7.91	2.15	10.63	7.94	2.17	10.96	8.58	2.18	11.62	8.54	2.21	11.95	8.53	2.22	12.27	9.10	2.23
		25	9.02	7.39	3.04	10.05	7.44	3.09	10.39	8.09	3.10	11.07	8.12	3.13	11.42	8.76	3.15	12.10	8.73	3.18	12.44	8.72	3.20	12.79	9.30	3.21
		30	8.51	7.17	3.25	9.48	7.22	3.30	9.81	7.84	3.32	10.45	7.87	3.35	10.78	8.50	3.37	11.42	8.47	3.40	11.75	8.45	3.42	12.07	9.02	3.44
		35	7.98	6.94	3.44	8.89	6.98	3.49	9.19	7.59	3.51	9.80	7.62	3.54	10.10	8.22	3.56	10.71	8.19	3.58	11.01	8.18	3.58	11.31	8.73	3.58
		40	6.76	6.17	3.16	7.53	6.21	3.20	7.79	6.75	3.22	8.30	6.78	3.25	8.56	7.32	3.27	9.07	7.29	3.30	9.33	7.28	3.32	9.59	7.76	3.34
46	4.40	4.40	2.35	4.90	4.61	2.39	5.07	5.01	2.40	5.41	5.03	2.43	5.57	5.43	2.44	5.91	5.41	2.46	6.07	5.40	2.48	6.24	5.76	2.49		

TC : Total Capacity (kW)
 SHC : Sensible Heat Capacity (kW)
 IP : Input Power (kW)

● Indoor unit : 9000Btu + 18000Btu + 18000Btu

		Indoor temperature																											
		°CDB			18°CDB			21°CDB			23°CDB			25°CDB			27°CDB			29°CDB			30°CDB			32°CDB			
		°CWB			12°CWB			15°CWB			16°CWB			18°CWB			19°CWB			21°CWB			22°CWB			23°CWB			
9+18+18	Outdoor temperature	(°CDB)	TC	SHC	IP	TC	SHC	IP	TC	SHC	IP	TC	SHC	IP	TC	SHC	IP	TC	SHC	IP	TC	SHC	IP	TC	SHC	IP			
		0	8.77	7.36	1.94	9.77	7.41	1.97	10.10	8.05	1.98	10.77	8.08	2.00	11.10	8.72	2.01	11.77	8.69	2.03	12.10	8.68	2.04	12.44	9.26	2.05			
		5	8.58	7.28	2.01	9.56	7.32	2.04	9.89	7.96	2.05	10.54	7.99	2.07	10.87	8.62	2.08	11.52	8.59	2.10	11.84	8.58	2.11	12.17	9.15	2.12			
		10	8.56	7.26	2.06	9.53	7.31	2.09	9.86	7.95	2.10	10.51	7.98	2.12	10.83	8.61	2.13	11.48	8.58	2.16	11.81	8.56	2.17	12.13	9.14	2.18			
		15	8.57	7.27	1.83	9.55	7.32	1.86	9.87	7.95	1.87	10.52	7.98	1.88	10.85	8.62	1.89	11.50	8.58	1.91	11.82	8.57	1.92	12.15	9.14	1.93			
		20	8.65	7.31	2.12	9.63	7.35	2.15	9.96	7.99	2.16	10.62	8.02	2.18	10.95	8.66	2.19	11.60	8.63	2.22	11.93	8.61	2.23	12.26	9.19	2.24			
		25	9.06	7.49	3.03	10.10	7.54	3.08	10.44	8.19	3.09	11.13	8.23	3.12	11.47	8.88	3.14	12.16	8.85	3.17	12.51	8.83	3.19	12.85	9.42	3.20			
		30	8.53	7.25	3.25	9.50	7.30	3.30	9.83	7.93	3.31	10.47	7.96	3.35	10.80	8.60	3.36	11.45	8.56	3.40	11.77	8.55	3.42	12.09	9.12	3.43			
		35	7.98	7.01	3.45	8.89	7.05	3.51	9.19	7.66	3.53	9.80	7.69	3.58	10.10	8.30	3.58	10.71	8.27	3.58	11.01	8.26	3.58	11.31	8.81	3.58			
		40	6.69	6.03	3.16	7.45	6.07	3.20	7.70	6.59	3.22	8.21	6.62	3.25	8.46	7.15	3.27	8.97	7.12	3.30	9.23	7.11	3.32	9.48	7.58	3.34			
46	4.36	4.36	2.35	4.86	4.55	2.39	5.03	4.94	2.40	5.36	4.96	2.43	5.52	5.35	2.44	5.85	5.33	2.46	6.02	5.32	2.48	6.18	5.68	2.49					

● Indoor unit : 12000Btu + 12000Btu + 12000Btu

		Indoor temperature																											
		°CDB			18°CDB			21°CDB			23°CDB			25°CDB			27°CDB			29°CDB			30°CDB			32°CDB			
		°CWB			12°CWB			15°CWB			16°CWB			18°CWB			19°CWB			21°CWB			22°CWB			23°CWB			
12+12+12	Outdoor temperature	(°CDB)	TC	SHC	IP	TC	SHC	IP	TC	SHC	IP	TC	SHC	IP	TC	SHC	IP	TC	SHC	IP	TC	SHC	IP	TC	SHC	IP			
		0	7.24	5.70	1.44	8.06	5.74	1.46	8.34	6.24	1.47	8.89	6.26	1.49	9.16	6.76	1.49	9.71	6.73	1.51	9.98	6.72	1.52	10.26	7.17	1.52			
		5	6.84	5.53	1.73	7.62	5.57	1.76	7.88	6.05	1.77	8.40	6.07	1.79	8.66	6.56	1.80	9.18	6.53	1.81	9.44	6.52	1.82	9.70	6.96	1.83			
		10	6.96	5.58	1.88	7.76	5.62	1.91	8.02	6.11	1.92	8.55	6.13	1.94	8.81	6.62	1.95	9.34	6.59	1.97	9.61	6.58	1.98	9.87	7.02	1.99			
		15	7.45	5.79	2.04	8.30	5.83	2.07	8.58	6.34	2.08	9.15	6.36	2.10	9.43	6.87	2.11	10.00	6.84	2.13	10.28	6.83	2.15	10.57	7.29	2.16			
		20	7.85	5.96	2.09	8.74	6.00	2.12	9.04	6.52	2.13	9.63	6.55	2.15	9.93	7.07	2.16	10.53	7.04	2.19	10.83	7.03	2.20	11.12	7.50	2.21			
		25	8.11	6.07	2.77	9.03	6.11	2.82	9.34	6.64	2.83	9.95	6.67	2.86	10.26	7.20	2.88	10.88	7.17	2.90	11.18	7.16	2.92	11.49	7.64	2.93			
		30	7.55	5.84	3.00	8.41	5.87	3.04	8.70	6.38	3.06	9.27	6.41	3.09	9.56	6.92	3.10	10.13	6.89	3.13	10.42	6.88	3.15	10.70	7.34	3.17			
		35	7.27	5.72	3.43	8.10	5.75	3.48	8.37	6.25	3.50	8.92	6.27	3.53	9.20	6.77	3.55	9.75	6.75	3.58	10.03	6.74	3.58	10.30	7.19	3.58			
		40	6.35	5.38	3.16	7.07	5.41	3.20	7.31	5.88	3.22	7.79	5.91	3.25	8.03	6.37	3.27	8.52	6.35	3.30	8.76	6.34	3.32	9.00	6.76	3.34			
46	4.18	4.18	2.35	4.66	4.26	2.39	4.82	4.63	2.40	5.13	4.65	2.43	5.29	5.02	2.44	5.61	5.00	2.46	5.77	4.99	2.48	5.93	5.32	2.49					

● Indoor unit : 12000Btu + 12000Btu + 14000Btu

		Indoor temperature																											
		°CDB			18°CDB			21°CDB			23°CDB			25°CDB			27°CDB			29°CDB			30°CDB			32°CDB			
		°CWB			12°CWB			15°CWB			16°CWB			18°CWB			19°CWB			21°CWB			22°CWB			23°CWB			
12+12+14	Outdoor temperature	(°CDB)	TC	SHC	IP	TC	SHC	IP	TC	SHC	IP	TC	SHC	IP	TC	SHC	IP	TC	SHC	IP	TC	SHC	IP	TC	SHC	IP			
		0	7.62	6.11	1.59	8.49	6.15	1.61	8.78	6.68	1.62	9.35	6.71	1.64	9.64	7.24	1.64	10.22	7.22	1.66	10.51	7.20	1.67	10.80	7.68	1.68			
		5	7.25	5.95	1.84	8.07	5.99	1.87	8.35	6.50	1.88	8.90	6.53	1.90	9.17	7.05	1.91	9.72	7.02	1.93	10.00	7.01	1.93	10.27	7.48	1.94			
		10	7.36	6.00	2.06	8.19	6.03	2.10	8.47	6.56	2.11	9.03	6.58	2.13	9.31	7.11	2.14	9.87	7.08	2.16	10.15	7.07	2.17	10.43	7.54	2.18			
		15	8.07	6.31	2.26	8.99	6.35	2.30	9.29	6.90	2.31	9.91	6.92	2.33	10.21	7.47	2.34	10.82	7.45	2.37	11.13	7.43	2.38	11.44	7.93	2.39			
		20	7.94	6.25	2.11	8.84	6.29	2.14	9.14	6.84	2.15	9.74	6.86	2.17	10.05	7.41	2.18	10.65	7.38	2.21	10.95	7.37	2.22	11.25	7.86	2.23			
		25	8.48	6.49	2.93	9.45	6.53	2.98	9.77	7.10	3.00	10.41	7.12	3.03	10.73	7.69	3.04	11.38	7.66	3.07	11.70	7.65	3.09	12.02	8.16	3.10			
		30	7.91	6.24	3.16	8.81	6.28	3.21	9.11	6.82	3.23	9.72	6.85	3.26	10.02	7.39	3.28	10.62	7.37	3.31	10.92	7.35	3.33	11.22	7.85	3.34			
		35	7.35	5.99	3.45	8.18	6.03	3.51	8.46	6.55	3.53	9.02	6.58	3.56	9.30	7.10	3.58	9.86	7.08	3.58	10.14	7.06	3.58	10.42	7.53	3.58			
		40	6.42	5.52	3.16	7.15	5.56	3.20	7.40	6.04	3.22	7.89	6.06	3.25	8.13	6.55	3.27	8.62	6.52	3.30	8.86	6.51	3.32	9.11	6.95	3.34			
46	4.22	4.22	2.35	4.70	4.32	2.39	4.86	4.70	2.40	5.18	4.72	2.43	5.34	5.09	2.44	5.66	5.07	2.46	5.82	5.06	2.48	5.98	5.40	2.49					

● Indoor unit : 12000Btu + 12000Btu + 18000Btu

		Indoor temperature																											
		°CDB			18°CDB			21°CDB			23°CDB			25°CDB			27°CDB			29°CDB			30°CDB			32°CDB			
		°CWB			12°CWB			15°CWB			16°CWB			18°CWB			19°CWB			21°CWB			22°CWB			23°CWB			
12+12+18	Outdoor temperature	(°CDB)	TC	SHC	IP	TC	SHC	IP	TC	SHC	IP	TC	SHC	IP	TC	SHC	IP	TC	SHC	IP	TC	SHC	IP	TC	SHC	IP			
		0	8.73	6.98	1.83	9.73	7.03	1.86	10.06	7.64	1.87	10.72	7.67	1.89	11.05	8.27	1.90	11.71	8.24	1.92	12.05	8.23	1.93	12.38	8.78	1.94			
		5	8.43	6.85	1.99	9.39	6.89	2.02	9.71	7.49	2.03	10.35	7.52	2.05	10.67	8.12	2.06	11.31	8.09	2.08	11.63	8.07	2.09	11.95	8.61	2.10			
		10	8.48	6.87	2.05	9.45	6.92	2.08	9.77	7.52	2.09	10.41	7.55	2.11	10.74	8.15	2.13	11.38	8.12	2.15	11.70	8.10	2.16	12.03	8.64	2.17			
		15	8.57	6.91	1.82	9.55	6.96	1.85	9.87	7.56	1.86	10.52	7.59	1.88	10.85	8.19	1.89	11.50	8.16	1.91	11.82	8.15	1.92	12.15	8.69	1.93			
		20	8.55	6.90	2.11	9.52	6.95	2.14	9.85	7.55	2.15	10.50	7.58	2.17	10.82	8.18	2.18	11.47	8.15	2.21	11.79	8.14	2.22	12.12	8.68	2.23			
		25	9.04	7.12	2.98	10.07	7.16	3.03	10.41	7.78	3.04	11.10	7.81	3.07	11.44	8.43	3.09	12.13	8.40	3.12	12.47	8.39	3.13	12.81	8.95	3.15			
		30	8.47	6.87	3.20	9.44	6.91																						

● Indoor unit : 12000Btu + 12000Btu + 24000Btu

	°CDB	Indoor temperature																										
		18°CDB			21°CDB			23°CDB			25°CDB			27°CDB			29°CDB			30°CDB			32°CDB					
		°CWB			12°CWB			15°CWB			16°CWB			18°CWB			19°CWB			21°CWB			22°CWB			23°CWB		
12+12+24	(°CDB)	TC	SHC	IP	TC	SHC	IP	TC	SHC	IP	TC	SHC	IP	TC	SHC	IP	TC	SHC	IP	TC	SHC	IP	TC	SHC	IP	TC	SHC	IP
	0	8.75	7.17	2.01	9.74	7.22	2.05	10.08	7.84	2.06	10.74	7.88	2.08	11.07	8.50	2.09	11.74	8.47	2.11	12.07	8.45	2.12	12.40	9.02	2.13	12.40	9.02	2.13
	5	8.69	7.15	2.00	9.68	7.20	2.03	10.01	7.82	2.04	10.67	7.85	2.06	11.00	8.47	2.07	11.66	8.44	2.09	11.99	8.43	2.10	12.33	8.99	2.11	12.33	8.99	2.11
	10	8.56	7.09	2.04	9.54	7.14	2.07	9.86	7.76	2.08	10.52	7.79	2.10	10.84	8.41	2.11	11.49	8.38	2.14	11.82	8.36	2.15	12.14	8.92	2.16	12.14	8.92	2.16
	15	8.48	7.06	1.80	9.44	7.10	1.83	9.77	7.72	1.84	10.41	7.75	1.86	10.73	8.36	1.87	11.38	8.33	1.89	11.70	8.32	1.90	12.02	8.87	1.91	12.02	8.87	1.91
	20	8.66	7.14	2.10	9.65	7.18	2.13	9.98	7.81	2.14	10.64	7.84	2.16	10.97	8.46	2.17	11.62	8.43	2.20	11.95	8.41	2.21	12.28	8.97	2.22	12.28	8.97	2.22
	25	9.00	7.28	3.04	10.02	7.33	3.08	10.36	7.96	3.10	11.05	7.99	3.13	11.39	8.63	3.15	12.07	8.60	3.18	12.41	8.58	3.19	12.75	9.15	3.21	12.75	9.15	3.21
	30	8.50	7.07	3.25	9.47	7.11	3.30	9.80	7.73	3.31	10.44	7.76	3.35	10.76	8.38	3.36	11.41	8.35	3.40	11.73	8.33	3.41	12.06	8.89	3.43	12.06	8.89	3.43
	35	7.98	6.84	3.42	8.89	6.89	3.47	9.19	7.49	3.49	9.80	7.51	3.52	10.10	8.11	3.54	10.71	8.08	3.58	11.01	8.07	3.58	11.31	8.61	3.58	11.31	8.61	3.58
	40	6.80	6.25	3.16	7.57	6.29	3.20	7.83	6.83	3.22	8.35	6.86	3.25	8.61	7.40	3.27	9.12	7.38	3.30	9.38	7.36	3.32	9.64	7.85	3.34	9.64	7.85	3.34
46	4.42	4.42	2.35	4.93	4.64	2.39	5.09	5.04	2.40	5.43	5.06	2.43	5.60	5.47	2.44	5.93	5.45	2.46	6.10	5.44	2.48	6.27	5.80	2.49	6.27	5.80	2.49	

● Indoor unit : 12000Btu + 14000Btu + 14000Btu

	°CDB	Indoor temperature																													
		18°CDB			21°CDB			23°CDB			25°CDB			27°CDB			29°CDB			30°CDB			32°CDB								
		°CWB			12°CWB			15°CWB			16°CWB			18°CWB			19°CWB			21°CWB			22°CWB			23°CWB					
12+14+14	(°CDB)	TC	SHC	IP	TC	SHC	IP	TC	SHC	IP	TC	SHC	IP	TC	SHC	IP	TC	SHC	IP	TC	SHC	IP	TC	SHC	IP	TC	SHC	IP	TC	SHC	IP
	0	7.66	6.24	1.65	8.53	6.28	1.67	8.82	6.82	1.68	9.40	6.85	1.70	9.69	7.39	1.71	10.27	7.37	1.72	10.56	7.35	1.73	10.85	7.84	1.74	10.85	7.84	1.74			
	5	7.33	6.10	1.85	8.17	6.13	1.88	8.45	6.67	1.88	9.00	6.69	1.90	9.28	7.22	1.91	9.84	7.20	1.93	10.12	7.19	1.94	10.39	7.66	1.95	10.39	7.66	1.95			
	10	7.42	6.13	1.91	8.26	6.17	1.94	8.54	6.71	1.95	9.11	6.73	1.97	9.39	7.27	1.98	9.95	7.24	2.00	10.23	7.23	2.01	10.51	7.71	2.02	10.51	7.71	2.02			
	15	8.11	6.43	2.31	9.03	6.48	2.35	9.34	7.04	2.36	9.95	7.06	2.38	10.26	7.62	2.39	10.88	7.60	2.42	11.18	7.58	2.43	11.49	8.09	2.44	11.49	8.09	2.44			
	20	8.03	6.40	2.11	8.94	6.44	2.14	9.25	7.00	2.15	9.86	7.03	2.18	10.16	7.58	2.19	10.77	7.56	2.21	11.08	7.54	2.22	11.38	8.05	2.23	11.38	8.05	2.23			
	25	8.53	6.62	2.96	9.51	6.66	3.01	9.83	7.24	3.02	10.48	7.27	3.05	10.80	7.85	3.07	11.45	7.82	3.10	11.78	7.80	3.11	12.10	8.33	3.13	12.10	8.33	3.13			
	30	7.98	6.38	3.19	8.89	6.42	3.24	9.19	6.98	3.25	9.80	7.00	3.29	10.10	7.56	3.30	10.71	7.53	3.34	11.01	7.52	3.35	11.31	8.02	3.37	11.31	8.02	3.37			
	35	7.43	6.14	3.45	8.27	6.18	3.51	8.55	6.71	3.53	9.12	6.74	3.58	9.40	7.27	3.58	9.96	7.25	3.58	10.25	7.23	3.58	10.53	7.72	3.58	10.53	7.72	3.58			
	40	6.50	5.67	3.16	7.24	5.70	3.20	7.49	6.20	3.22	7.98	6.22	3.25	8.23	6.72	3.27	8.72	6.69	3.30	8.97	6.68	3.32	9.21	7.13	3.34	9.21	7.13	3.34			
46	4.26	4.26	2.35	4.75	4.39	2.39	4.91	4.77	2.40	5.23	4.79	2.43	5.39	5.17	2.44	5.72	5.15	2.46	5.88	5.14	2.48	6.04	5.48	2.49	6.04	5.48	2.49				

● Indoor unit : 12000Btu + 14000Btu + 18000Btu

	°CDB	Indoor temperature																													
		18°CDB			21°CDB			23°CDB			25°CDB			27°CDB			29°CDB			30°CDB			32°CDB								
		°CWB			12°CWB			15°CWB			16°CWB			18°CWB			19°CWB			21°CWB			22°CWB			23°CWB					
12+14+18	(°CDB)	TC	SHC	IP	TC	SHC	IP	TC	SHC	IP	TC	SHC	IP	TC	SHC	IP	TC	SHC	IP	TC	SHC	IP	TC	SHC	IP	TC	SHC	IP	TC	SHC	IP
	0	8.79	7.14	1.91	9.79	7.18	1.93	10.12	7.80	1.94	10.79	7.83	1.96	11.12	8.46	1.97	11.79	8.43	1.99	12.12	8.41	2.00	12.46	8.97	2.01	12.46	8.97	2.01			
	5	8.56	7.03	2.00	9.53	7.08	2.04	9.85	7.69	2.05	10.50	7.72	2.07	10.83	8.34	2.08	11.48	8.31	2.10	11.80	8.29	2.11	12.13	8.85	2.12	12.13	8.85	2.12			
	10	8.56	7.04	2.06	9.53	7.08	2.09	9.86	7.70	2.10	10.51	7.73	2.12	10.83	8.34	2.13	11.48	8.31	2.16	11.81	8.29	2.17	12.13	8.85	2.18	12.13	8.85	2.18			
	15	8.60	7.05	1.83	9.58	7.10	1.86	9.90	7.71	1.87	10.56	7.74	1.88	10.88	8.36	1.89	11.54	8.33	1.91	11.86	8.31	1.92	12.19	8.87	1.93	12.19	8.87	1.93			
	20	8.64	7.07	2.12	9.63	7.12	2.15	9.96	7.74	2.16	10.61	7.77	2.18	10.94	8.38	2.19	11.60	8.35	2.21	11.92	8.34	2.23	12.25	8.89	2.24	12.25	8.89	2.24			
	25	9.09	7.27	3.02	10.12	7.31	3.06	10.47	7.95	3.08	11.16	7.98	3.11	11.50	8.61	3.13	12.19	8.58	3.16	12.54	8.57	3.17	12.88	9.14	3.19	12.88	9.14	3.19			
	30	8.54	7.03	3.23	9.51	7.07	3.29	9.84	7.69	3.30	10.49	7.72	3.34	10.81	8.33	3.35	11.46	8.30	3.39	11.78	8.28	3.40	12.11	8.84	3.42	12.11	8.84	3.42			
	35	7.98	6.78	3.45	8.89	6.83	3.51	9.19	7.42	3.53	9.80	7.45	3.58	10.10	8.04	3.58	10.71	8.01	3.58	11.01	8.00	3.58	11.31	8.53	3.58	11.31	8.53	3.58			
	40	6.65	5.96	3.16	7.41	6.00	3.20	7.66	6.52	3.22	8.16	6.54	3.25	8.42	7.06	3.27	8.92	7.04	3.30	9.17	7.02	3.32	9.43	7.49	3.34	9.43	7.49	3.34			
46	4.34	4.34	2.35	4.84	4.51	2.39	5.00	4.91	2.40	5.33	4.92	2.43	5.50	5.32	2.44	5.83	5.30	2.46	5.99	5.29	2.48	6.16	5.64	2.49	6.16	5.64	2.49				

● Indoor unit : 12000Btu + 18000Btu + 18000Btu

	°CDB	Indoor temperature																													
		18°CDB			21°CDB			23°CDB			25°CDB			27°CDB			29°CDB			30°CDB			32°CDB								
		°CWB			12°CWB			15°CWB			16°CWB			18°CWB			19°CWB			21°CWB			22°CWB			23°CWB					
12+18+18	(°CDB)	TC	SHC	IP	TC	SHC	IP	TC	SHC	IP	TC	SHC	IP	TC	SHC	IP	TC	SHC	IP	TC	SHC	IP	TC	SHC	IP	TC	SHC	IP	TC	SHC	IP
	0	8.75	7.33	2.04	9.74	7.38	2.07	10.08	8.02	2.08	10.74	8.05	2.10	11.07	8.69	2.11	11.74	8.66	2.13	12.07	8.64	2.14	12.40	9.22	2.15	12.40	9.22	2.15			
	5	8.69	7.31	2.02	9.68	7.35	2.05	10.01	7.99	2.06	10.67	8.02	2.08	11.00	8.66	2.09	11.66	8.63	2.11	11.99	8.61	2.12	12.33	9.19	2.14	12.33	9.19	2.14			
	10	8.56	7.25	2.06	9.54	7.30	2.10	9.86	7.93	2.11	10.52	7.96	2.13	10.84	8.59	2.14	11.49	8.56	2.16	11.82	8.55	2.17	12.14	9.12	2.18	12.14	9.12	2.18			
	15	8.48	7.21	1.83	9.44	7.26	1.85	9.77	7.89	1.86	10.41	7.92	1.88	10.73	8.55	1.89	11.38	8.52	1.91	11.70	8.50	1.92	12.02	9.07	1.93	12.02	9.07	1.93			
	20	8.66	7.29	2.12	9.65	7.34	2.15	9.98	7.98	2.17	10.64	8.01	2.19	10.97	8.64	2.20	11.62	8.61	2.22	11.95	8.60	2.23	12.28	9.17	2.24	12.28	9.17	2.24			
	25	9.00	7.44	3.07	10.02	7.49	3.12	10.36	8.14	3.13	11.05	8.17	3.17	11.39	8.82	3.18	12.07	8.78	3.21	12.41	8.77	3.23	12.75	9.35	3.25	12.75	9.35	3.25			
	30	8.50	7.22	3.28	9.47	7.27	3.33	9.80	7.90	3.35	10.44	7.93																			

● Indoor unit : 7000Btu + 7000Btu + 7000Btu + 7000Btu

		Indoor temperature																										
		°CDB			18°CDB			21°CDB			23°CDB			25°CDB			27°CDB			29°CDB			30°CDB			32°CDB		
		°CWB			12°CWB			15°CWB			16°CWB			18°CWB			19°CWB			21°CWB			22°CWB			23°CWB		
7+7+7+7	Outdoor temperature	(°CDB)	TC	SHC	IP	TC	SHC	IP	TC	SHC	IP	TC	SHC	IP	TC	SHC	IP	TC	SHC	IP	TC	SHC	IP	TC	SHC	IP		
		0	7.51	5.98	1.68	8.37	6.02	1.70	8.65	6.54	1.71	9.22	6.57	1.73	9.51	7.09	1.74	10.08	7.06	1.76	10.37	7.05	1.76	10.65	7.52	1.77		
		5	7.01	5.75	1.85	7.81	5.79	1.88	8.07	6.29	1.89	8.61	6.32	1.91	8.87	6.82	1.92	9.40	6.79	1.94	9.67	6.78	1.95	9.94	7.23	1.96		
		10	7.11	5.80	1.49	7.93	5.84	1.51	8.20	6.34	1.52	8.74	6.37	1.53	9.01	6.87	1.54	9.55	6.85	1.56	9.82	6.84	1.56	10.09	7.29	1.57		
		15	7.26	5.87	1.64	8.09	5.90	1.66	8.36	6.42	1.67	8.91	6.44	1.69	9.19	6.95	1.70	9.74	6.93	1.72	10.02	6.92	1.72	10.29	7.38	1.73		
		20	8.39	6.38	2.05	9.34	6.42	2.08	9.66	6.98	2.09	10.30	7.01	2.11	10.62	7.56	2.12	11.25	7.54	2.14	11.57	7.52	2.15	11.89	8.02	2.16		
		25	8.00	6.21	2.39	8.91	6.24	2.43	9.22	6.79	2.44	9.82	6.81	2.47	10.13	7.35	2.48	10.74	7.33	2.50	11.04	7.31	2.52	11.34	7.80	2.53		
		30	7.41	5.94	2.60	8.26	5.98	2.64	8.54	6.49	2.65	9.10	6.52	2.68	9.38	7.04	2.70	9.95	7.01	2.72	10.23	7.00	2.74	10.51	7.47	2.75		
		35	7.58	6.02	3.29	8.45	6.05	3.34	8.74	6.58	3.36	9.31	6.60	3.39	9.60	7.13	3.41	10.18	7.10	3.44	10.46	7.09	3.46	10.75	7.56	3.48		
		40	6.09	5.04	3.16	6.78	5.07	3.20	7.02	5.51	3.22	7.48	5.53	3.25	7.71	5.97	3.27	8.17	5.95	3.30	8.40	5.94	3.32	8.64	6.34	3.34		
46	4.02	3.98	2.35	4.48	4.01	2.39	4.63	4.36	2.40	4.94	4.37	2.43	5.09	4.72	2.44	5.39	4.70	2.46	5.55	4.69	2.48	5.70	5.01	2.49				

● Indoor unit : 7000Btu + 7000Btu + 7000Btu + 9000Btu

		Indoor temperature																										
		°CDB			18°CDB			21°CDB			23°CDB			25°CDB			27°CDB			29°CDB			30°CDB			32°CDB		
		°CWB			12°CWB			15°CWB			16°CWB			18°CWB			19°CWB			21°CWB			22°CWB			23°CWB		
7+7+7+9	Outdoor temperature	(°CDB)	TC	SHC	IP	TC	SHC	IP	TC	SHC	IP	TC	SHC	IP	TC	SHC	IP	TC	SHC	IP	TC	SHC	IP	TC	SHC	IP		
		0	7.40	5.88	1.74	8.24	5.92	1.77	8.52	6.43	1.78	9.08	6.46	1.80	9.37	6.97	1.81	9.93	6.94	1.83	10.21	6.93	1.83	10.49	7.40	1.84		
		5	6.91	5.67	1.91	7.70	5.70	1.94	7.96	6.20	1.95	8.49	6.22	1.97	8.75	6.72	1.98	9.28	6.69	2.00	9.54	6.68	2.01	9.80	7.13	2.02		
		10	7.04	5.72	1.57	7.84	5.76	1.59	8.10	6.26	1.60	8.64	6.28	1.62	8.91	6.78	1.62	9.44	6.76	1.64	9.71	6.74	1.65	9.97	7.19	1.66		
		15	7.19	5.79	1.70	8.01	5.83	1.72	8.28	6.33	1.73	8.83	6.36	1.75	9.10	6.86	1.76	9.65	6.84	1.78	9.92	6.82	1.79	10.20	7.28	1.79		
		20	8.35	6.30	2.07	9.30	6.34	2.11	9.61	6.89	2.12	10.25	6.92	2.14	10.57	7.47	2.15	11.20	7.44	2.17	11.52	7.43	2.18	11.83	7.92	2.19		
		25	7.94	6.12	2.44	8.84	6.16	2.48	9.14	6.69	2.50	9.74	6.72	2.52	10.04	7.25	2.53	10.65	7.23	2.56	10.95	7.21	2.57	11.25	7.69	2.58		
		30	7.36	5.86	2.65	8.20	5.90	2.69	8.48	6.41	2.71	9.04	6.44	2.74	9.32	6.95	2.75	9.87	6.92	2.78	10.15	6.91	2.79	10.43	7.37	2.80		
		35	7.74	6.03	3.42	8.62	6.07	3.47	8.92	6.60	3.49	9.51	6.62	3.52	9.80	7.15	3.54	10.39	7.12	3.58	10.68	7.11	3.58	10.98	7.59	3.58		
		40	6.15	4.95	3.16	6.85	4.98	3.20	7.08	5.41	3.22	7.55	5.43	3.25	7.78	5.86	3.27	8.25	5.84	3.30	8.48	5.83	3.32	8.71	6.22	3.34		
46	4.06	4.05	2.35	4.52	4.07	2.39	4.68	4.42	2.40	4.99	4.44	2.43	5.14	4.79	2.44	5.45	4.78	2.46	5.60	4.77	2.48	5.76	5.09	2.49				

● Indoor unit : 7000Btu + 7000Btu + 7000Btu + 12000Btu

		Indoor temperature																										
		°CDB			18°CDB			21°CDB			23°CDB			25°CDB			27°CDB			29°CDB			30°CDB			32°CDB		
		°CWB			12°CWB			15°CWB			16°CWB			18°CWB			19°CWB			21°CWB			22°CWB			23°CWB		
7+7+7+12	Outdoor temperature	(°CDB)	TC	SHC	IP	TC	SHC	IP	TC	SHC	IP	TC	SHC	IP	TC	SHC	IP	TC	SHC	IP	TC	SHC	IP	TC	SHC	IP		
		0	7.88	6.22	1.35	8.78	6.26	1.37	9.08	6.80	1.38	9.67	6.83	1.39	9.97	7.37	1.40	10.57	7.34	1.41	10.87	7.33	1.42	11.17	7.82	1.43		
		5	7.40	6.00	1.72	8.24	6.04	1.74	8.52	6.57	1.75	9.08	6.59	1.77	9.36	7.12	1.78	9.93	7.09	1.80	10.21	7.08	1.81	10.49	7.55	1.82		
		10	7.54	6.07	1.78	8.40	6.11	1.81	8.68	6.63	1.81	9.26	6.66	1.83	9.54	7.19	1.84	10.11	7.16	1.86	10.40	7.15	1.87	10.69	7.63	1.88		
		15	7.71	6.14	1.88	8.59	6.18	1.91	8.88	6.72	1.92	9.47	6.74	1.94	9.76	7.28	1.95	10.34	7.25	1.96	10.64	7.24	1.97	10.93	7.72	1.98		
		20	8.44	6.46	2.08	9.40	6.50	2.11	9.72	7.07	2.12	10.36	7.09	2.14	10.68	7.66	2.15	11.32	7.63	2.17	11.64	7.62	2.19	11.96	8.12	2.20		
		25	8.77	6.61	2.73	9.77	6.65	2.77	10.10	7.23	2.78	10.77	7.26	2.81	11.10	7.83	2.83	11.77	7.80	2.86	12.10	7.79	2.87	12.44	8.31	2.88		
		30	8.15	6.34	2.95	9.08	6.38	3.00	9.39	6.93	3.01	10.01	6.96	3.04	10.32	7.51	3.06	10.94	7.48	3.09	11.25	7.47	3.11	11.56	7.97	3.12		
		35	7.82	6.19	3.42	8.71	6.23	3.47	9.01	6.77	3.49	9.60	6.80	3.52	9.90	7.34	3.54	10.49	7.31	3.58	10.79	7.30	3.58	11.09	7.78	3.58		
		40	6.23	5.16	3.16	6.94	5.20	3.20	7.18	5.65	3.22	7.65	5.67	3.25	7.89	6.12	3.27	8.36	6.10	3.30	8.60	6.08	3.32	8.84	6.49	3.34		
46	4.12	4.12	2.35	4.59	4.17	2.39	4.75	4.53	2.40	5.06	4.54	2.43	5.22	4.91	2.44	5.53	4.89	2.46	5.69	4.88	2.48	5.84	5.21	2.49				

● Indoor unit : 7000Btu + 7000Btu + 7000Btu + 14000Btu

		Indoor temperature																										
		°CDB			18°CDB			21°CDB			23°CDB			25°CDB			27°CDB			29°CDB			30°CDB			32°CDB		
		°CWB			12°CWB			15°CWB			16°CWB			18°CWB			19°CWB			21°CWB			22°CWB			23°CWB		
7+7+7+14	Outdoor temperature	(°CDB)	TC	SHC	IP	TC	SHC	IP	TC	SHC	IP	TC	SHC	IP	TC	SHC	IP	TC	SHC	IP	TC	SHC	IP	TC	SHC	IP		
		0	7.82	6.26	1.42	8.71	6.30	1.44	9.00	6.85	1.45	9.60	6.87	1.46	9.89	7.42	1.47	10.49	7.39	1.48	10.78	7.38	1.49	11.08	7.87	1.50		
		5	7.37	6.06	1.73	8.21	6.10	1.76	8.49	6.63	1.77	9.05	6.66	1.79	9.33	7.19	1.80	9.89	7.16	1.82	10.17	7.15	1.82	10.45	7.63	1.83		
		10	7.51	6.12	1.86	8.36	6.16	1.88	8.65	6.70	1.89	9.22	6.72	1.91	9.50	7.26	1.92	10.07	7.23	1.94	10.36	7.22	1.95	10.64	7.70	1.96		
		15	8.04	6.36	2.02	8.96	6.40	2.05	9.26	6.95	2.07	9.87	6.98	2.09	10.18	7.54	2.10	10.79	7.51	2.12	11.09	7.49	2.13	11.40	8.00	2.14		
		20	8.44	6.53	2.09	9.40	6.58	2.12	9.72	7.15	2.14	10.36	7.17	2.16	10.68	7.74	2.17	11.32	7.72	2.19	11.65	7.70	2.20	11.97	8.22	2.21		
		25	8.74	6.67	2.77	9.74	6.71	2.81	10.07	7.29	2.83	10.73	7.32	2.86	11.06	7.90	2.87	11.73	7.87	2.90	12.06	7.86	2.91	12.39	8.38	2.93		
		30	8.13	6.40	2.99	9.06	6.44	3.04	9.37	7.00	3.05	9.99	7.03	3.09	10.30	7.58	3.10	10.91	7.56	3.13	11.22	7.54	3.15	11.53	8.05	3.16		
		35	7.82	6.26	3.44	8.71	6.30	3.49	9.01	6.85	3.51	9.60	6.88	3.54	9.90	7.42	3.56	10.49	7.39	3.58	10.79	7.38	3.58	11.09	7.87	3.58		
		40	6.31	5.31	3.16	7.03	5.34	3.20	7.27	5.80																		

● Indoor unit : 7000Btu + 7000Btu + 7000Btu + 18000Btu

		Indoor temperature																										
		°CDB			18°CDB			21°CDB			23°CDB			25°CDB			27°CDB			29°CDB			30°CDB			32°CDB		
		°CWB			12°CWB			15°CWB			16°CWB			18°CWB			19°CWB			21°CWB			22°CWB			23°CWB		
7+7+7+18	Outdoor temperature	(°CDB)	TC	SHC	IP	TC	SHC	IP	TC	SHC	IP	TC	SHC	IP	TC	SHC	IP	TC	SHC	IP	TC	SHC	IP	TC	SHC	IP		
		0	8.25	6.98	1.60	9.19	7.02	1.63	9.50	7.63	1.64	10.13	7.66	1.65	10.44	8.27	1.66	11.07	8.24	1.68	11.38	8.23	1.69	11.69	8.78	1.69		
		5	7.87	6.81	1.83	8.77	6.85	1.86	9.07	7.44	1.87	9.66	7.47	1.88	9.96	8.07	1.89	10.56	8.04	1.91	10.86	8.02	1.92	11.16	8.56	1.93		
		10	7.98	6.85	1.89	8.89	6.90	1.92	9.19	7.50	1.93	9.79	7.53	1.95	10.10	8.12	1.96	10.70	8.09	1.98	11.01	8.08	1.99	11.31	8.62	2.00		
		15	8.74	7.20	2.27	9.73	7.25	2.30	10.06	7.88	2.31	10.73	7.91	2.34	11.06	8.54	2.35	11.72	8.50	2.37	12.05	8.49	2.39	12.38	9.06	2.40		
		20	8.62	7.15	2.09	9.60	7.20	2.12	9.93	7.82	2.14	10.59	7.85	2.16	10.91	8.47	2.17	11.57	8.44	2.19	11.90	8.43	2.20	12.22	8.99	2.21		
		25	9.19	7.41	2.92	10.24	7.46	2.97	10.59	8.10	2.98	11.28	8.14	3.01	11.63	8.78	3.03	12.33	8.75	3.06	12.68	8.73	3.07	13.03	9.32	3.09		
		30	8.58	7.13	3.15	9.56	7.18	3.20	9.89	7.80	3.21	10.54	7.83	3.25	10.87	8.45	3.26	11.52	8.42	3.29	11.84	8.41	3.31	12.17	8.97	3.33		
		35	7.98	6.86	3.43	8.89	6.90	3.48	9.19	7.50	3.50	9.80	7.53	3.53	10.10	8.12	3.55	10.71	8.10	3.58	11.01	8.08	3.58	11.31	8.62	3.58		
		40	6.46	5.60	3.16	7.20	5.63	3.20	7.44	6.12	3.22	7.93	6.14	3.25	8.18	6.63	3.27	8.67	6.61	3.30	8.91	6.60	3.32	9.16	7.04	3.34		
46	4.24	4.24	2.35	4.72	4.36	2.39	4.89	4.73	2.40	5.21	4.75	2.43	5.37	5.13	2.44	5.69	5.11	2.46	5.85	5.10	2.48	6.01	5.44	2.49				

● Indoor unit : 7000Btu + 7000Btu + 9000Btu + 9000Btu

		Indoor temperature																										
		°CDB			18°CDB			21°CDB			23°CDB			25°CDB			27°CDB			29°CDB			30°CDB			32°CDB		
		°CWB			12°CWB			15°CWB			16°CWB			18°CWB			19°CWB			21°CWB			22°CWB			23°CWB		
7+7+9+9	Outdoor temperature	(°CDB)	TC	SHC	IP	TC	SHC	IP	TC	SHC	IP	TC	SHC	IP	TC	SHC	IP	TC	SHC	IP	TC	SHC	IP	TC	SHC	IP		
		0	7.25	6.02	1.20	8.08	6.06	1.21	8.36	6.58	1.22	8.91	6.61	1.23	9.18	7.13	1.24	9.73	7.11	1.25	10.01	7.09	1.26	10.28	7.57	1.26		
		5	6.80	5.81	1.55	7.57	5.85	1.57	7.83	6.36	1.58	8.35	6.38	1.60	8.61	6.89	1.61	9.12	6.86	1.62	9.38	6.85	1.63	9.64	7.31	1.64		
		10	6.93	5.87	1.58	7.72	5.91	1.60	7.98	6.42	1.61	8.50	6.44	1.62	8.77	6.96	1.63	9.29	6.93	1.65	9.56	6.92	1.66	9.82	7.38	1.67		
		15	7.57	6.16	1.79	8.44	6.20	1.82	8.72	6.74	1.83	9.30	6.77	1.85	9.59	7.30	1.86	10.16	7.28	1.88	10.45	7.26	1.89	10.74	7.75	1.90		
		20	8.26	6.48	2.01	9.21	6.52	2.04	9.52	7.08	2.05	10.15	7.11	2.07	10.46	7.68	2.08	11.09	7.65	2.10	11.40	7.63	2.11	11.72	8.14	2.12		
		25	8.61	6.63	2.62	9.59	6.68	2.66	9.92	7.25	2.68	10.57	7.28	2.70	10.90	7.86	2.72	11.55	7.83	2.75	11.88	7.82	2.76	12.21	8.34	2.77		
		30	8.00	6.35	2.84	8.91	6.40	2.89	9.21	6.95	2.90	9.82	6.98	2.93	10.12	7.53	2.94	10.73	7.50	2.97	11.03	7.49	2.99	11.34	7.99	3.00		
		35	7.66	6.20	3.30	8.54	6.24	3.35	8.83	6.78	3.37	9.41	6.81	3.40	9.70	7.35	3.42	10.28	7.33	3.45	10.57	7.31	3.47	10.86	7.80	3.49		
		40	6.20	5.09	3.16	6.90	5.12	3.20	7.14	5.57	3.22	7.61	5.59	3.25	7.84	6.03	3.27	8.31	6.01	3.30	8.55	6.00	3.32	8.79	6.40	3.34		
46	4.10	4.10	2.35	4.57	4.13	2.39	4.72	4.49	2.40	5.03	4.51	2.43	5.19	4.87	2.44	5.50	4.85	2.46	5.66	4.84	2.48	5.81	5.17	2.49				

● Indoor unit : 7000Btu + 7000Btu + 9000Btu + 12000Btu

		Indoor temperature																										
		°CDB			18°CDB			21°CDB			23°CDB			25°CDB			27°CDB			29°CDB			30°CDB			32°CDB		
		°CWB			12°CWB			15°CWB			16°CWB			18°CWB			19°CWB			21°CWB			22°CWB			23°CWB		
7+7+9+12	Outdoor temperature	(°CDB)	TC	SHC	IP	TC	SHC	IP	TC	SHC	IP	TC	SHC	IP	TC	SHC	IP	TC	SHC	IP	TC	SHC	IP	TC	SHC	IP		
		0	7.82	6.26	1.41	8.71	6.30	1.44	9.00	6.85	1.44	9.60	6.87	1.46	9.89	7.42	1.46	10.49	7.39	1.48	10.78	7.38	1.49	11.08	7.87	1.49		
		5	7.37	6.06	1.73	8.21	6.10	1.76	8.49	6.63	1.77	9.05	6.66	1.78	9.33	7.19	1.79	9.89	7.16	1.81	10.17	7.15	1.82	10.45	7.63	1.83		
		10	7.51	6.12	1.85	8.36	6.16	1.88	8.65	6.70	1.89	9.22	6.72	1.91	9.50	7.26	1.92	10.07	7.23	1.94	10.36	7.22	1.95	10.64	7.70	1.96		
		15	8.04	6.36	2.02	8.96	6.40	2.05	9.26	6.95	2.06	9.87	6.98	2.08	10.18	7.54	2.09	10.79	7.51	2.11	11.09	7.49	2.12	11.40	8.00	2.13		
		20	8.44	6.53	2.09	9.40	6.58	2.12	9.72	7.15	2.13	10.36	7.17	2.15	10.68	7.74	2.16	11.32	7.72	2.18	11.65	7.70	2.19	11.97	8.22	2.21		
		25	8.74	6.67	2.76	9.74	6.71	2.80	10.07	7.29	2.82	10.73	7.32	2.85	11.06	7.90	2.86	11.73	7.87	2.89	12.06	7.86	2.90	12.39	8.38	2.92		
		30	8.13	6.40	2.98	9.06	6.44	3.03	9.37	7.00	3.05	9.99	7.03	3.08	10.30	7.58	3.09	10.91	7.56	3.12	11.22	7.54	3.14	11.53	8.05	3.15		
		35	7.82	6.26	3.43	8.71	6.30	3.48	9.01	6.85	3.50	9.60	6.88	3.53	9.90	7.42	3.55	10.49	7.39	3.58	10.79	7.38	3.58	11.09	7.87	3.58		
		40	6.31	5.31	3.16	7.03	5.34	3.20	7.27	5.80	3.22	7.75	5.83	3.25	7.99	6.29	3.27	8.47	6.27	3.30	8.71	6.26	3.32	8.95	6.67	3.34		
46	4.16	4.16	2.35	4.64	4.23	2.39	4.79	4.60	2.40	5.11	4.61	2.43	5.27	4.98	2.44	5.58	4.96	2.46	5.74	4.95	2.48	5.90	5.28	2.49				

● Indoor unit : 7000Btu + 7000Btu + 9000Btu + 14000Btu

		Indoor temperature																										
		°CDB			18°CDB			21°CDB			23°CDB			25°CDB			27°CDB			29°CDB			30°CDB			32°CDB		
		°CWB			12°CWB			15°CWB			16°CWB			18°CWB			19°CWB			21°CWB			22°CWB			23°CWB		
7+7+9+14	Outdoor temperature	(°CDB)	TC	SHC	IP	TC	SHC	IP	TC	SHC	IP	TC	SHC	IP	TC	SHC	IP	TC	SHC	IP	TC	SHC	IP	TC	SHC	IP		
		0	8.22	6.54	1.55	9.15	6.58	1.57	9.47	7.15	1.58	10.09	7.18	1.60	10.40	7.75	1.61	11.03	7.72	1.62	11.34	7.71	1.63	11.65	8.23	1.64		
		5	7.79	6.35	1.83	8.68	6.40	1.86	8.97	6.95	1.87	9.57	6.98	1.89	9.86	7.53	1.90	10.45	7.50	1.92	10.75	7.49	1.93	11.05	7.99	1.93		
		10	7.92	6.41	2.02	8.82	6.45	2.05	9.12	7.01	2.06	9.73	7.04	2.09	10.03	7.60	2.10	10.63	7.57	2.12	10.93	7.56	2.13	11.23	8.06	2.14		
		15	8.70	6.75	2.23	9.69	6.80	2.27	10.02	7.38	2.28	10.68	7.41	2.30	11.01	8.00	2.31	11.67	7.97	2.34	12.00	7.96	2.35	12.33	8.49	2.36		
		20	8.53	6.68	2.10	9.50	6.72	2.13	9.83	7.30	2.14	10.47	7.33	2.17	10.80	7.91	2.18	11.45	7.89	2.20	11.77	7.87	2.21	12.09	8.40	2.22		
		25	9.14	6.94	2.91	10.18	6.99	2.96	10.52	7.59	2.97	11.22	7.62	3.00	11.56	8.23	3.02	12.26	8.20	3.05	12.61	8.18	3.06	12.95	8.73	3.08		
		30	8.52	6.67	3.14	9.49	6.72	3.19	9.81	7.30	3.21	10.46	7.33	3.24	10.78	7.91	3.26	11.43	7.88	3.29	11.75	7.87	3.30	12.08	8.39	3.32		
		35	7.90	6.40	3.45	8.80	6.44	3.51	9.10	7.00	3.53	9.70	7.03	3.58	10.00	7.59	3.58	10.60	7.56	3.58	10.90	7.55	3.58	11.20	8.05	3.58		
		40	6.39	5.45	3.16	7.11	5.49	3.20																				

● Indoor unit : 7000Btu + 7000Btu + 9000Btu + 18000Btu

Table with 25 columns (Indoor temperature, °CDB, °CWB, 18°CDB, 12°CWB, 21°CDB, 15°CWB, 23°CDB, 16°CWB, 25°CDB, 18°CWB, 27°CDB, 19°CWB, 29°CDB, 21°CWB, 30°CDB, 22°CWB, 32°CDB, 23°CWB) and 11 rows (Outdoor temperature 7+7+9+18, °CDB, °CWB, 0, 5, 10, 15, 20, 25, 30, 35, 40, 46).

● Indoor unit : 7000Btu + 7000Btu + 12000Btu + 12000Btu

Table with 25 columns (Indoor temperature, °CDB, °CWB, 18°CDB, 12°CWB, 21°CDB, 15°CWB, 23°CDB, 16°CWB, 25°CDB, 18°CWB, 27°CDB, 19°CWB, 29°CDB, 21°CWB, 30°CDB, 22°CWB, 32°CDB, 23°CWB) and 11 rows (Outdoor temperature 7+7+12+12, °CDB, °CWB, 0, 5, 10, 15, 20, 25, 30, 35, 40, 46).

● Indoor unit : 7000Btu + 7000Btu + 12000Btu + 14000Btu

Table with 25 columns (Indoor temperature, °CDB, °CWB, 18°CDB, 12°CWB, 21°CDB, 15°CWB, 23°CDB, 16°CWB, 25°CDB, 18°CWB, 27°CDB, 19°CWB, 29°CDB, 21°CWB, 30°CDB, 22°CWB, 32°CDB, 23°CWB) and 11 rows (Outdoor temperature 7+7+12+14, °CDB, °CWB, 0, 5, 10, 15, 20, 25, 30, 35, 40, 46).

● Indoor unit : 7000Btu + 7000Btu + 12000Btu + 18000Btu

Table with 25 columns (Indoor temperature, °CDB, °CWB, 18°CDB, 12°CWB, 21°CDB, 15°CWB, 23°CDB, 16°CWB, 25°CDB, 18°CWB, 27°CDB, 19°CWB, 29°CDB, 21°CWB, 30°CDB, 22°CWB, 32°CDB, 23°CWB) and 11 rows (Outdoor temperature 7+7+12+18, °CDB, °CWB, 0, 5, 10, 15, 20, 25, 30, 35, 40, 46).

TC : Total Capacity (kW)
SHC : Sensible Heat Capacity (kW)
IP : Input Power (kW)

● Indoor unit : 7000Btu + 7000Btu + 14000Btu + 14000Btu

		Indoor temperature																										
		°CDB			18°CDB			21°CDB			23°CDB			25°CDB			27°CDB			29°CDB			30°CDB			32°CDB		
		°CWB			12°CWB			15°CWB			16°CWB			18°CWB			19°CWB			21°CWB			22°CWB			23°CWB		
7+7+14+14	Outdoor temperature	(°CDB)	TC	SHC	IP	TC	SHC	IP	TC	SHC	IP	TC	SHC	IP	TC	SHC	IP	TC	SHC	IP	TC	SHC	IP	TC	SHC	IP		
		0	8.82	7.05	1.84	9.82	7.10	1.87	10.16	7.71	1.88	10.83	7.74	1.90	11.16	8.36	1.91	11.83	8.33	1.93	12.17	8.31	1.93	12.50	8.87	1.94		
		5	8.51	6.92	2.00	9.48	6.96	2.03	9.80	7.57	2.04	10.45	7.60	2.06	10.77	8.20	2.07	11.42	8.17	2.09	11.74	8.15	2.10	12.07	8.70	2.11		
		10	8.57	6.94	2.06	9.54	6.99	2.09	9.87	7.59	2.10	10.52	7.62	2.12	10.84	8.23	2.13	11.49	8.20	2.15	11.82	8.18	2.16	12.15	8.73	2.17		
		15	8.66	6.98	1.83	9.64	7.03	1.86	9.97	7.63	1.87	10.63	7.66	1.89	10.96	8.27	1.90	11.61	8.24	1.91	11.94	8.23	1.92	12.27	8.78	1.93		
		20	8.63	6.97	2.11	9.62	7.02	2.15	9.95	7.62	2.16	10.60	7.65	2.18	10.93	8.26	2.19	11.58	8.23	2.21	11.91	8.22	2.22	12.24	8.77	2.23		
		25	9.13	7.19	2.99	10.17	7.23	3.04	10.52	7.86	3.05	11.21	7.89	3.08	11.56	8.52	3.10	12.25	8.49	3.13	12.60	8.47	3.14	12.94	9.04	3.16		
		30	8.56	6.94	3.21	9.53	6.98	3.26	9.86	7.59	3.28	10.51	7.62	3.31	10.83	8.22	3.33	11.48	8.19	3.36	11.81	8.18	3.38	12.13	8.72	3.39		
		35	7.98	6.69	3.45	8.89	6.73	3.51	9.19	7.31	3.53	9.80	7.34	3.58	10.10	7.92	3.58	10.71	7.89	3.58	11.01	7.88	3.58	11.31	8.41	3.58		
		40	6.57	5.81	3.16	7.32	5.85	3.20	7.57	6.36	3.22	8.07	6.38	3.25	8.32	6.89	3.27	8.82	6.86	3.30	9.07	6.85	3.32	9.32	7.31	3.34		
46	4.30	4.30	2.35	4.79	4.45	2.39	4.96	4.84	2.40	5.28	4.86	2.43	5.45	5.24	2.44	5.77	5.22	2.46	5.94	5.21	2.48	6.10	5.56	2.49				

● Indoor unit : 7000Btu + 7000Btu + 14000Btu + 18000Btu

		Indoor temperature																										
		°CDB			18°CDB			21°CDB			23°CDB			25°CDB			27°CDB			29°CDB			30°CDB			32°CDB		
		°CWB			12°CWB			15°CWB			16°CWB			18°CWB			19°CWB			21°CWB			22°CWB			23°CWB		
7+7+14+18	Outdoor temperature	(°CDB)	TC	SHC	IP	TC	SHC	IP	TC	SHC	IP	TC	SHC	IP	TC	SHC	IP	TC	SHC	IP	TC	SHC	IP	TC	SHC	IP		
		0	8.76	7.23	1.97	9.76	7.27	2.00	10.09	7.90	2.01	10.76	7.94	2.03	11.09	8.57	2.04	11.76	8.53	2.06	12.09	8.52	2.07	12.42	9.09	2.08		
		5	8.62	7.16	2.01	9.60	7.21	2.04	9.92	7.83	2.05	10.58	7.87	2.07	10.91	8.49	2.09	11.56	8.46	2.11	11.89	8.44	2.12	12.22	9.01	2.13		
		10	8.56	7.14	2.06	9.53	7.18	2.09	9.86	7.81	2.10	10.51	7.84	2.13	10.83	8.46	2.14	11.48	8.43	2.16	11.81	8.41	2.17	12.13	8.98	2.18		
		15	8.54	7.13	1.83	9.51	7.18	1.85	9.84	7.80	1.86	10.48	7.83	1.88	10.81	8.45	1.89	11.46	8.42	1.91	11.78	8.41	1.92	12.11	8.97	1.93		
		20	8.65	7.18	2.12	9.64	7.23	2.15	9.97	7.85	2.16	10.62	7.88	2.18	10.95	8.51	2.20	11.61	8.48	2.22	11.94	8.46	2.23	12.27	9.03	2.24		
		25	9.04	7.35	3.04	10.07	7.40	3.09	10.42	8.04	3.11	11.10	8.07	3.14	11.45	8.71	3.15	12.13	8.68	3.18	12.48	8.66	3.20	12.82	9.24	3.22		
		30	8.52	7.12	3.26	9.49	7.17	3.31	9.82	7.79	3.33	10.46	7.82	3.36	10.79	8.44	3.38	11.43	8.41	3.41	11.76	8.40	3.43	12.08	8.96	3.44		
		35	7.98	6.89	3.45	8.89	6.93	3.51	9.19	7.53	3.53	9.80	7.56	3.58	10.10	8.16	3.58	10.71	8.13	3.58	11.01	8.12	3.58	11.31	8.66	3.58		
		40	6.72	6.10	3.16	7.49	6.14	3.20	7.75	6.67	3.22	8.26	6.70	3.25	8.51	7.23	3.27	9.02	7.21	3.30	9.28	7.19	3.32	9.53	7.67	3.34		
46	4.38	4.38	2.35	4.88	4.58	2.39	5.05	4.97	2.40	5.38	4.99	2.43	5.55	5.39	2.44	5.88	5.37	2.46	6.05	5.36	2.48	6.21	5.72	2.49				

● Indoor unit : 7000Btu + 9000Btu + 9000Btu + 9000Btu

		Indoor temperature																										
		°CDB			18°CDB			21°CDB			23°CDB			25°CDB			27°CDB			29°CDB			30°CDB			32°CDB		
		°CWB			12°CWB			15°CWB			16°CWB			18°CWB			19°CWB			21°CWB			22°CWB			23°CWB		
7+9+9+9	Outdoor temperature	(°CDB)	TC	SHC	IP	TC	SHC	IP	TC	SHC	IP	TC	SHC	IP	TC	SHC	IP	TC	SHC	IP	TC	SHC	IP	TC	SHC	IP		
		0	7.85	6.24	1.39	8.74	6.28	1.41	9.04	6.82	1.42	9.63	6.85	1.43	9.93	7.39	1.44	10.53	7.37	1.45	10.83	7.35	1.46	11.12	7.84	1.47		
		5	7.38	6.03	1.73	8.22	6.07	1.76	8.50	6.60	1.77	9.06	6.62	1.78	9.34	7.15	1.79	9.91	7.12	1.81	10.19	7.11	1.82	10.47	7.59	1.83		
		10	7.52	6.09	1.82	8.38	6.13	1.85	8.66	6.66	1.86	9.24	6.69	1.88	9.52	7.22	1.89	10.09	7.20	1.91	10.38	7.18	1.92	10.66	7.66	1.93		
		15	8.06	6.33	2.00	8.98	6.37	2.03	9.29	6.92	2.04	9.90	6.95	2.06	10.21	7.50	2.07	10.82	7.48	2.09	11.12	7.46	2.11	11.43	7.96	2.12		
		20	8.44	6.50	2.09	9.40	6.54	2.12	9.72	7.11	2.13	10.36	7.13	2.16	10.68	7.70	2.17	11.32	7.67	2.19	11.64	7.66	2.20	11.96	8.17	2.21		
		25	8.76	6.64	2.76	9.75	6.68	2.80	10.09	7.26	2.81	10.75	7.29	2.84	11.08	7.87	2.86	11.75	7.84	2.88	12.08	7.82	2.90	12.41	8.35	2.91		
		30	8.14	6.37	2.98	9.07	6.41	3.03	9.38	6.96	3.04	10.00	6.99	3.07	10.31	7.55	3.09	10.93	7.52	3.12	11.23	7.50	3.13	11.54	8.01	3.15		
		35	7.82	6.23	3.44	8.71	6.27	3.49	9.01	6.81	3.51	9.60	6.84	3.54	9.90	7.38	3.56	10.49	7.35	3.58	10.79	7.34	3.58	11.09	7.83	3.58		
		40	6.27	5.23	3.16	6.99	5.27	3.20	7.22	5.72	3.22	7.70	5.75	3.25	7.94	6.20	3.27	8.42	6.18	3.30	8.65	6.17	3.32	8.89	6.58	3.34		
46	4.14	4.14	2.35	4.61	4.20	2.39	4.77	4.56	2.40	5.08	4.58	2.43	5.24	4.94	2.44	5.56	4.93	2.46	5.71	4.92	2.48	5.87	5.24	2.49				

● Indoor unit : 7000Btu + 9000Btu + 9000Btu + 12000Btu

		Indoor temperature																										
		°CDB			18°CDB			21°CDB			23°CDB			25°CDB			27°CDB			29°CDB			30°CDB			32°CDB		
		°CWB			12°CWB			15°CWB			16°CWB			18°CWB			19°CWB			21°CWB			22°CWB			23°CWB		
7+9+9+12	Outdoor temperature	(°CDB)	TC	SHC	IP	TC	SHC	IP	TC	SHC	IP	TC	SHC	IP	TC	SHC	IP	TC	SHC	IP	TC	SHC	IP	TC	SHC	IP		
		0	8.22	6.54	1.55	9.15	6.58	1.57	9.47	7.15	1.58	10.09	7.18	1.59	10.40	7.75	1.60	11.03	7.72	1.62	11.34	7.71	1.63	11.65	8.23	1.63		
		5	7.79	6.35	1.83	8.68	6.40	1.85	8.97	6.95	1.86	9.57	6.98	1.88	9.86	7.53	1.89	10.45	7.50	1.91	10.75	7.49	1.92	11.05	7.99	1.93		
		10	7.92	6.41	2.02	8.82	6.45	2.05	9.12	7.01	2.06	9.73	7.04	2.08	10.03	7.60	2.09	10.63	7.57	2.11	10.93	7.56	2.12	11.23	8.06	2.13		
		15	8.70	6.75	2.23	9.69	6.80	2.26	10.02	7.38	2.27	10.68	7.41	2.30	11.01	8.00	2.31	11.67	7.97	2.33	12.00	7.96	2.34	12.33	8.49	2.35		
		20	8.53	6.68	2.10	9.50	6.72	2.13	9.83	7.30	2.14	10.47	7.33	2.16	10.80	7.91	2.17	11.45	7.89	2.19	11.77	7.87	2.20	12.09	8.40	2.21		
		25	9.14	6.94	2.90	10.18	6.99	2.95	10.52	7.59	2.96	11.22	7.62	2.99	11.56	8.23	3.01	12.26	8.20	3.04	12.61	8.18	3.05	12.95	8.73	3.07		
		30	8.52	6.67	3.13	9.49	6.72	3.18	9.81	7.30	3.20	10.46	7.33	3.23	10.78	7.91	3.25	11.43	7.88	3.28	11.75	7.87	3.30	12.08	8.39	3.31		
		35	7.90	6.40	3.44	8.80	6.44	3.49	9.10	7.00	3.51	9.70	7.03	3.54	10.00	7.59	3.56	10.60	7.56	3.58	10.90	7.55	3.58	11.20	8.05	3.58		
		40	6.39	5.45	3.16	7.11	5.49	3.20	7.36	5.96	3.22	7.84	5.99	3.25	8.08	6.46	3.27	8.57	6.44	3.30	8.81	6.43	3.32	9.05	6.85	3.34		
46	4.20	4.20	2.35	4.68	4.29	2.39	4.84	4.66	2.40	5.16	4.68	2.43	5.32	5.06	2.44	5.64	5.04	2.46	5.80	5.03	2.48	5.96	5.36	2.49				

TC : Total Capacity (kW)
SHC : Sensible Heat Capacity (kW)
IP : Input Power (kW)

● Indoor unit : 7000Btu + 9000Btu + 9000Btu + 14000Btu

		Indoor temperature																											
		°CDB			18°CDB			21°CDB			23°CDB			25°CDB			27°CDB			29°CDB			30°CDB			32°CDB			
		°CWB			12°CWB			15°CWB			16°CWB			18°CWB			19°CWB			21°CWB			22°CWB			23°CWB			
7+9+9+14	Outdoor temperature	(°CDB)	TC	SHC	IP	TC	SHC	IP	TC	SHC	IP	TC	SHC	IP	TC	SHC	IP	TC	SHC	IP	TC	SHC	IP	TC	SHC	IP			
		0	8.25	6.67	1.62	9.19	6.71	1.64	9.50	7.29	1.65	10.13	7.32	1.67	10.44	7.90	1.67	11.07	7.87	1.69	11.38	7.86	1.70	11.69	8.38	1.71			
		5	7.87	6.50	1.84	8.77	6.54	1.87	9.07	7.11	1.88	9.66	7.14	1.90	9.96	7.71	1.91	10.56	7.68	1.93	10.86	7.67	1.94	11.16	8.18	1.95			
		10	7.98	6.55	1.91	8.89	6.59	1.94	9.19	7.16	1.95	9.79	7.19	1.97	10.10	7.76	1.98	10.70	7.73	2.00	11.01	7.72	2.01	11.31	8.24	2.01			
		15	8.74	6.88	2.29	9.73	6.92	2.32	10.06	7.53	2.33	10.73	7.55	2.36	11.06	8.15	2.37	11.72	8.13	2.39	12.05	8.11	2.41	12.38	8.65	2.42			
		20	8.62	6.83	2.11	9.60	6.88	2.14	9.93	7.47	2.15	10.59	7.50	2.18	10.91	8.10	2.19	11.57	8.07	2.21	11.90	8.05	2.22	12.22	8.59	2.23			
		25	9.19	7.08	2.95	10.24	7.12	2.99	10.59	7.74	3.01	11.28	7.77	3.04	11.63	8.39	3.05	12.33	8.36	3.09	12.68	8.34	3.10	13.03	8.90	3.12			
		30	8.58	6.81	3.17	9.56	6.86	3.22	9.89	7.45	3.24	10.54	7.48	3.27	10.87	8.08	3.29	11.52	8.05	3.32	11.84	8.03	3.34	12.17	8.57	3.36			
		35	7.98	6.55	3.45	8.89	6.59	3.51	9.19	7.16	3.53	9.80	7.19	3.58	10.10	7.76	3.58	10.71	7.73	3.58	11.01	7.72	3.58	11.31	8.24	3.58			
		40	6.46	5.60	3.16	7.20	5.63	3.20	7.44	6.12	3.22	7.93	6.14	3.25	8.18	6.63	3.27	8.67	6.61	3.30	8.91	6.60	3.32	9.16	7.04	3.34			
46	4.24	4.24	2.35	4.72	4.36	2.39	4.89	4.73	2.40	5.21	4.75	2.43	5.37	5.13	2.44	5.69	5.11	2.46	5.85	5.10	2.48	6.01	5.44	2.49					

● Indoor unit : 7000Btu + 9000Btu + 9000Btu + 18000Btu

		Indoor temperature																											
		°CDB			18°CDB			21°CDB			23°CDB			25°CDB			27°CDB			29°CDB			30°CDB			32°CDB			
		°CWB			12°CWB			15°CWB			16°CWB			18°CWB			19°CWB			21°CWB			22°CWB			23°CWB			
7+9+9+18	Outdoor temperature	(°CDB)	TC	SHC	IP	TC	SHC	IP	TC	SHC	IP	TC	SHC	IP	TC	SHC	IP	TC	SHC	IP	TC	SHC	IP	TC	SHC	IP			
		0	8.80	7.09	1.86	9.80	7.14	1.89	10.14	7.76	1.90	10.81	7.79	1.92	11.14	8.41	1.93	11.81	8.38	1.95	12.14	8.36	1.96	12.48	8.92	1.97			
		5	8.53	6.97	1.99	9.50	7.02	2.02	9.83	7.63	2.03	10.47	7.66	2.05	10.80	8.27	2.06	11.45	8.24	2.08	11.77	8.22	2.09	12.09	8.77	2.10			
		10	8.56	6.99	2.05	9.54	7.03	2.08	9.86	7.64	2.09	10.51	7.67	2.11	10.84	8.28	2.12	11.49	8.25	2.14	11.81	8.22	2.15	12.14	8.79	2.16			
		15	8.63	7.02	1.82	9.61	7.06	1.85	9.94	7.67	1.86	10.59	7.70	1.87	10.92	8.32	1.88	11.58	8.29	1.90	11.90	8.27	1.91	12.23	8.82	1.92			
		20	8.64	7.02	2.10	9.62	7.07	2.14	9.95	7.68	2.15	10.61	7.71	2.17	10.93	8.32	2.18	11.59	8.29	2.20	11.92	8.28	2.21	12.25	8.83	2.22			
		25	9.11	7.23	2.99	10.15	7.27	3.03	10.49	7.90	3.05	11.18	7.93	3.08	11.53	8.56	3.09	12.22	8.53	3.12	12.57	8.52	3.14	12.91	9.09	3.16			
		30	8.55	6.98	3.20	9.52	7.03	3.25	9.85	7.64	3.27	10.50	7.67	3.30	10.82	8.27	3.32	11.47	8.25	3.35	11.79	8.23	3.37	12.12	8.78	3.39			
		35	7.98	6.73	3.44	8.89	6.78	3.49	9.19	7.36	3.51	9.80	7.39	3.54	10.10	7.98	3.56	10.71	7.95	3.58	11.01	7.94	3.58	11.31	8.47	3.58			
		40	6.61	5.89	3.16	7.36	5.92	3.20	7.62	6.44	3.22	8.12	6.46	3.25	8.37	6.97	3.27	8.87	6.95	3.30	9.12	6.94	3.32	9.37	7.40	3.34			
46	4.32	4.32	2.35	4.81	4.48	2.39	4.98	4.87	2.40	5.31	4.89	2.43	5.47	5.28	2.44	5.80	5.26	2.46	5.96	5.25	2.48	6.13	5.60	2.49					

● Indoor unit : 7000Btu + 9000Btu + 12000Btu + 12000Btu

		Indoor temperature																											
		°CDB			18°CDB			21°CDB			23°CDB			25°CDB			27°CDB			29°CDB			30°CDB			32°CDB			
		°CWB			12°CWB			15°CWB			16°CWB			18°CWB			19°CWB			21°CWB			22°CWB			23°CWB			
7+9+12+12	Outdoor temperature	(°CDB)	TC	SHC	IP	TC	SHC	IP	TC	SHC	IP	TC	SHC	IP	TC	SHC	IP	TC	SHC	IP	TC	SHC	IP	TC	SHC	IP			
		0	8.15	6.64	1.64	9.07	6.68	1.66	9.38	7.26	1.67	10.00	7.29	1.69	10.31	7.86	1.70	10.93	7.84	1.71	11.24	7.82	1.72	11.55	8.34	1.73			
		5	7.80	6.48	1.84	8.69	6.53	1.86	8.98	7.09	1.87	9.58	7.12	1.89	9.87	7.69	1.90	10.47	7.66	1.92	10.76	7.64	1.93	11.06	8.15	1.94			
		10	7.89	6.52	1.90	8.79	6.57	1.93	9.09	7.13	1.94	9.69	7.16	1.96	9.99	7.73	1.97	10.59	7.70	1.99	10.89	7.69	2.00	11.19	8.20	2.00			
		15	8.62	6.84	2.30	9.61	6.89	2.33	9.93	7.49	2.35	10.59	7.51	2.37	10.92	8.11	2.38	11.57	8.08	2.40	11.90	8.07	2.42	12.23	8.61	2.43			
		20	8.54	6.81	2.10	9.51	6.85	2.13	9.84	7.45	2.14	10.49	7.47	2.16	10.81	8.07	2.18	11.46	8.04	2.20	11.78	8.03	2.21	12.11	8.56	2.22			
		25	9.08	7.04	2.94	10.11	7.09	2.99	10.46	7.70	3.01	11.15	7.73	3.04	11.49	8.35	3.05	12.18	8.32	3.08	12.53	8.30	3.10	12.87	8.86	3.11			
		30	8.49	6.79	3.17	9.46	6.83	3.22	9.78	7.42	3.23	10.42	7.45	3.27	10.75	8.04	3.28	11.39	8.01	3.32	11.71	8.00	3.33	12.04	8.53	3.35			
		35	7.90	6.53	3.44	8.80	6.57	3.49	9.10	7.14	3.51	9.70	7.17	3.54	10.00	7.74	3.56	10.60	7.71	3.58	11.00	7.70	3.58	11.20	8.21	3.58			
		40	6.50	5.67	3.16	7.24	5.70	3.20	7.49	6.20	3.22	7.98	6.22	3.25	8.23	6.72	3.27	8.72	6.69	3.30	8.97	6.68	3.32	9.21	7.13	3.34			
46	4.26	4.26	2.35	4.75	4.39	2.39	4.91	4.77	2.40	5.23	4.79	2.43	5.39	5.17	2.44	5.72	5.15	2.46	5.88	5.14	2.48	6.04	5.48	2.49					

● Indoor unit : 7000Btu + 9000Btu + 12000Btu + 14000Btu

		Indoor temperature																											
		°CDB			18°CDB			21°CDB			23°CDB			25°CDB			27°CDB			29°CDB			30°CDB			32°CDB			
		°CWB			12°CWB			15°CWB			16°CWB			18°CWB			19°CWB			21°CWB			22°CWB			23°CWB			
7+9+12+14	Outdoor temperature	(°CDB)	TC	SHC	IP	TC	SHC	IP	TC	SHC	IP	TC	SHC	IP	TC	SHC	IP	TC	SHC	IP	TC	SHC	IP	TC	SHC	IP			
		0	8.82	7.05	1.84	9.82	7.10	1.87	10.16	7.71	1.88	10.83	7.74	1.90	11.16	8.36	1.91	11.83	8.33	1.93	12.17	8.31	1.93	12.50	8.87	1.94			
		5	8.51	6.92	2.00	9.48	6.96	2.03	9.80	7.57	2.04	10.45	7.60	2.06	10.77	8.20	2.07	11.42	8.17	2.09	11.74	8.15	2.10	12.07	8.70	2.11			
		10	8.57	6.94	2.06	9.54	6.99	2.09	9.87	7.59	2.10	10.52	7.62	2.12	10.84	8.23	2.13	11.49	8.20	2.15	11.82	8.18	2.16	12.15	8.73	2.17			
		15	8.66	6.98	1.83	9.64	7.03	1.86	9.97	7.63	1.87	10.63	7.66	1.89	10.96	8.27	1.90	11.61	8.24	1.91	11.94	8.23	1.92	12.27	8.78	1.93			
		20	8.63	6.97	2.11	9.62	7.02	2.15	9.95	7.62	2.16	10.60	7.65	2.18	10.93	8.26	2.19	11.58	8.23	2.21	11.91	8.22	2.22	12.24	8.77	2.23			
		25	9.13	7.19	2.99	10.17	7.23	3.04	10.52	7.86	3.05	11.21	7.89	3.08	11.56	8.52	3.10	12.25	8.49	3.13	12.60	8.47	3.14	12.94	9.04	3.16			

OUTDOOR UNIT
AO*G30L4

● Indoor unit : 7000Btu + 9000Btu + 12000Btu + 18000Btu

		Indoor temperature																																																				
		°CDB			18°CDB			21°CDB			23°CDB			25°CDB			27°CDB			29°CDB			30°CDB			32°CDB																												
		°CWB			12°CWB			15°CWB			16°CWB			18°CWB			19°CWB			21°CWB			22°CWB			23°CWB																												
7+9+12+18	Outdoor temperature	(°CDB)	TC	SHC	IP	TC	SHC	IP	TC	SHC	IP	TC	SHC	IP	TC	SHC	IP	TC	SHC	IP	TC	SHC	IP	TC	SHC	IP	TC	SHC	IP	TC	SHC	IP	TC	SHC	IP	TC	SHC	IP																
		0	8.76	7.45	1.96	9.76	7.50	1.99	10.09	8.15	2.00	10.76	8.18	2.02	11.09	8.83	2.03	11.76	8.80	2.05	12.09	8.79	2.06	12.42	9.37	2.07	12.42	9.37	2.07	12.42	9.37	2.07	12.42	9.37	2.07	12.42	9.37	2.07	12.42	9.37	2.07													
		5	8.62	7.39	2.00	9.60	7.44	2.03	9.92	8.08	2.04	10.58	8.11	2.06	10.91	8.76	2.07	11.56	8.73	2.09	11.89	8.71	2.10	12.22	9.29	2.12	12.22	9.29	2.12	12.22	9.29	2.12	12.22	9.29	2.12	12.22	9.29	2.12	12.22	9.29	2.12	12.22	9.29	2.12										
		10	8.56	7.36	2.05	9.53	7.41	2.08	9.86	8.05	2.09	10.51	8.08	2.11	10.83	8.73	2.12	11.48	8.69	2.15	11.81	8.68	2.16	12.13	9.26	2.17	12.13	9.26	2.17	12.13	9.26	2.17	12.13	9.26	2.17	12.13	9.26	2.17	12.13	9.26	2.17	12.13	9.26	2.17	12.13	9.26	2.17							
		15	8.54	7.35	1.82	9.51	7.40	1.84	9.84	8.04	1.85	10.48	8.07	1.87	10.81	8.72	1.88	11.46	8.68	1.90	11.78	8.67	1.91	12.11	9.25	1.92	12.11	9.25	1.92	12.11	9.25	1.92	12.11	9.25	1.92	12.11	9.25	1.92	12.11	9.25	1.92	12.11	9.25	1.92	12.11	9.25	1.92							
		20	8.65	7.41	2.11	9.64	7.45	2.14	9.97	8.10	2.15	10.62	8.13	2.17	10.95	8.78	2.18	11.61	8.75	2.21	11.94	8.73	2.22	12.27	9.31	2.23	12.27	9.31	2.23	12.27	9.31	2.23	12.27	9.31	2.23	12.27	9.31	2.23	12.27	9.31	2.23	12.27	9.31	2.23	12.27	9.31	2.23							
		25	9.04	7.58	3.03	10.07	7.63	3.07	10.42	8.29	3.09	11.10	8.32	3.12	11.45	8.98	3.14	12.13	8.95	3.17	12.48	8.94	3.18	12.82	9.53	3.20	12.82	9.53	3.20	12.82	9.53	3.20	12.82	9.53	3.20	12.82	9.53	3.20	12.82	9.53	3.20	12.82	9.53	3.20	12.82	9.53	3.20	12.82	9.53	3.20				
		30	8.52	7.35	3.24	9.49	7.39	3.29	9.82	8.03	3.31	10.46	8.07	3.34	10.79	8.71	3.36	11.43	8.68	3.39	11.76	8.66	3.41	12.08	9.24	3.43	12.08	9.24	3.43	12.08	9.24	3.43	12.08	9.24	3.43	12.08	9.24	3.43	12.08	9.24	3.43	12.08	9.24	3.43	12.08	9.24	3.43	12.08	9.24	3.43	12.08	9.24	3.43	
		35	7.98	7.10	3.44	8.89	7.15	3.49	9.19	7.77	3.51	9.80	7.80	3.54	10.10	8.42	3.56	10.71	8.39	3.58	11.01	8.37	3.58	11.31	8.93	3.58	11.31	8.93	3.58	11.31	8.93	3.58	11.31	8.93	3.58	11.31	8.93	3.58	11.31	8.93	3.58	11.31	8.93	3.58	11.31	8.93	3.58	11.31	8.93	3.58	11.31	8.93	3.58	
		40	6.72	6.10	3.16	7.49	6.14	3.20	7.75	6.67	3.22	8.26	6.70	3.25	8.51	7.23	3.27	9.02	7.21	3.30	9.28	7.19	3.32	9.53	7.67	3.34	9.53	7.67	3.34	9.53	7.67	3.34	9.53	7.67	3.34	9.53	7.67	3.34	9.53	7.67	3.34	9.53	7.67	3.34	9.53	7.67	3.34	9.53	7.67	3.34	9.53	7.67	3.34	
46	4.38	4.38	2.35	4.88	4.58	2.39	5.05	4.97	2.40	5.38	4.99	2.43	5.55	5.39	2.44	5.88	5.37	2.46	6.05	5.36	2.48	6.21	5.72	2.49	6.21	5.72	2.49	6.21	5.72	2.49	6.21	5.72	2.49	6.21	5.72	2.49	6.21	5.72	2.49	6.21	5.72	2.49	6.21	5.72	2.49	6.21	5.72	2.49	6.21	5.72	2.49	6.21	5.72	2.49

● Indoor unit : 7000Btu + 9000Btu + 14000Btu + 14000Btu

		Indoor temperature																																																				
		°CDB			18°CDB			21°CDB			23°CDB			25°CDB			27°CDB			29°CDB			30°CDB			32°CDB																												
		°CWB			12°CWB			15°CWB			16°CWB			18°CWB			19°CWB			21°CWB			22°CWB			23°CWB																												
7+9+14+14	Outdoor temperature	(°CDB)	TC	SHC	IP	TC	SHC	IP	TC	SHC	IP	TC	SHC	IP	TC	SHC	IP	TC	SHC	IP	TC	SHC	IP	TC	SHC	IP	TC	SHC	IP	TC	SHC	IP	TC	SHC	IP	TC	SHC	IP	TC	SHC	IP													
		0	8.79	7.14	1.91	9.79	7.18	1.93	10.12	7.80	1.94	10.79	7.83	1.96	11.12	8.46	1.97	11.79	8.43	1.99	12.12	8.41	2.00	12.46	8.97	2.01	12.46	8.97	2.01	12.46	8.97	2.01	12.46	8.97	2.01	12.46	8.97	2.01	12.46	8.97	2.01	12.46	8.97	2.01	12.46	8.97	2.01							
		5	8.56	7.03	2.00	9.53	7.08	2.04	9.85	7.69	2.05	10.50	7.72	2.07	10.83	8.34	2.08	11.48	8.31	2.10	11.80	8.29	2.11	12.13	8.85	2.12	12.13	8.85	2.12	12.13	8.85	2.12	12.13	8.85	2.12	12.13	8.85	2.12	12.13	8.85	2.12	12.13	8.85	2.12	12.13	8.85	2.12	12.13	8.85	2.12				
		10	8.56	7.04	2.06	9.53	7.08	2.09	9.86	7.70	2.10	10.51	7.73	2.12	10.83	8.34	2.13	11.48	8.31	2.16	11.81	8.29	2.17	12.13	8.85	2.18	12.13	8.85	2.18	12.13	8.85	2.18	12.13	8.85	2.18	12.13	8.85	2.18	12.13	8.85	2.18	12.13	8.85	2.18	12.13	8.85	2.18	12.13	8.85	2.18				
		15	8.60	7.05	1.83	9.58	7.10	1.86	9.90	7.71	1.87	10.56	7.74	1.88	10.88	8.36	1.89	11.54	8.33	1.91	11.86	8.31	1.92	12.19	8.87	1.93	12.19	8.87	1.93	12.19	8.87	1.93	12.19	8.87	1.93	12.19	8.87	1.93	12.19	8.87	1.93	12.19	8.87	1.93	12.19	8.87	1.93	12.19	8.87	1.93	12.19	8.87	1.93	
		20	8.64	7.07	2.12	9.63	7.12	2.15	9.96	7.74	2.16	10.61	7.77	2.18	10.94	8.38	2.19	11.60	8.35	2.21	11.92	8.34	2.23	12.25	8.89	2.24	12.25	8.89	2.24	12.25	8.89	2.24	12.25	8.89	2.24	12.25	8.89	2.24	12.25	8.89	2.24	12.25	8.89	2.24	12.25	8.89	2.24	12.25	8.89	2.24	12.25	8.89	2.24	
		25	9.09	7.27	3.02	10.12	7.31	3.06	10.47	7.95	3.08	11.16	7.98	3.11	11.50	8.61	3.13	12.19	8.58	3.16	12.54	8.57	3.17	12.88	9.14	3.19	12.88	9.14	3.19	12.88	9.14	3.19	12.88	9.14	3.19	12.88	9.14	3.19	12.88	9.14	3.19	12.88	9.14	3.19	12.88	9.14	3.19	12.88	9.14	3.19	12.88	9.14	3.19	
		30	8.54	7.03	3.23	9.51	7.07	3.29	9.84	7.69	3.30	10.49	7.72	3.34	10.81	8.33	3.35	11.46	8.30	3.39	11.78	8.28	3.40	12.11	8.84	3.42	12.11	8.84	3.42	12.11	8.84	3.42	12.11	8.84	3.42	12.11	8.84	3.42	12.11	8.84	3.42	12.11	8.84	3.42	12.11	8.84	3.42	12.11	8.84	3.42	12.11	8.84	3.42	
		35	7.98	6.78	3.45	8.89	6.83	3.51	9.19	7.42	3.53	9.80	7.45	3.58	10.10	8.04	3.58	10.71	8.01	3.58	11.01	8.00	3.58	11.31	8.58	3.58	11.31	8.58	3.58	11.31	8.58	3.58	11.31	8.58	3.58	11.31	8.58	3.58	11.31	8.58	3.58	11.31	8.58	3.58	11.31	8.58	3.58	11.31	8.58	3.58	11.31	8.58	3.58	
		40	6.65	5.96	3.16	7.41	6.00	3.20	7.66	6.52	3.22	8.16	6.54	3.25	8.42	7.06	3.27	8.92	7.04	3.30	9.17	7.02	3.32	9.43	7.49	3.34	9.43	7.49	3.34	9.43	7.49	3.34	9.43	7.49	3.34	9.43	7.49	3.34	9.43	7.49	3.34	9.43	7.49	3.34	9.43	7.49	3.34	9.43	7.49	3.34	9.43	7.49	3.34	
46	4.34	4.34	2.35	4.84	4.51	2.39	5.00	4.91	2.40	5.33	4.92	2.43	5.50	5.32	2.44	5.83	5.30	2.46	5.99	5.29	2.48	6.16	5.64	2.49	6.16	5.64	2.49	6.16	5.64	2.49	6.16	5.64	2.49	6.16	5.64	2.49	6.16	5.64	2.49	6.16	5.64	2.49	6.16	5.64	2.49	6.16	5.64	2.49	6.16	5.64	2.49	6.16	5.64	2.49

● Indoor unit : 7000Btu + 9000Btu + 14000Btu + 18000Btu

		Indoor temperature																																													
		°CDB			18°CDB			21°CDB			23°CDB			25°CDB			27°CDB			29°CDB			30°CDB			32°CDB																					
		°CWB			12°CWB			15°CWB			16°CWB			18°CWB			19°CWB			21°CWB			22°CWB			23°CWB																					
7+9+14+18	Outdoor temperature	(°CDB)	TC	SHC	IP	TC	SHC	IP	TC	SHC	IP	TC	SHC	IP	TC	SHC	IP	TC	SHC	IP	TC	SHC	IP	TC	SHC	IP	TC	SHC	IP	TC	SHC	IP	TC	SHC	IP	TC	SHC	IP	TC	SHC	IP						
		0	8.75	7.33	2.03	9.74	7.38	2.06	10.08	8.02	2.07	10.74	8.05	2.09	11.07	8.69	2.11	11.74	8.66	2.13	12.07	8.64	2.14	12.40	9.22	2.15	12.40	9.22	2.15	12.40	9.22	2.15	12.40	9.22	2.15	12.40	9.22	2.15	12.40	9.22	2.15	12.40	9.22	2.15	12.40	9.22	2.15
		5	8.69	7.31	2.01	9.68	7.35	2.05	10.01	7.99	2.06	10.67	8.02	2.08	11.00	8.66	2.09	11.66	8.63	2.11	11.99	8.61	2.12																								

● Indoor unit : 7000Btu + 12000Btu + 12000Btu + 14000Btu

		Indoor temperature																											
		°CDB			18°CDB			21°CDB			23°CDB			25°CDB			27°CDB			29°CDB			30°CDB			32°CDB			
		°CWB			12°CWB			15°CWB			16°CWB			18°CWB			19°CWB			21°CWB			22°CWB			23°CWB			
7+12+12+14	Outdoor temperature	(°CDB)	TC	SHC	IP	TC	SHC	IP	TC	SHC	IP	TC	SHC	IP	TC	SHC	IP	TC	SHC	IP	TC	SHC	IP	TC	SHC	IP			
		0	8.77	7.18	1.94	9.77	7.23	1.97	10.10	7.85	1.98	10.77	7.88	2.00	11.10	8.51	2.01	11.77	8.48	2.03	12.10	8.46	2.04	12.44	9.03	2.05			
		5	8.58	7.10	2.01	9.56	7.14	2.04	9.89	7.76	2.05	10.54	7.79	2.07	10.87	8.41	2.08	11.52	8.38	2.10	11.84	8.37	2.11	12.17	8.92	2.12			
		10	8.56	7.09	2.06	9.53	7.13	2.09	9.86	7.75	2.10	10.51	7.78	2.12	10.83	8.40	2.13	11.48	8.37	2.16	11.81	8.35	2.17	12.13	8.91	2.18			
		15	8.57	7.09	1.83	9.55	7.14	1.86	9.87	7.76	1.87	10.52	7.79	1.88	10.85	8.40	1.89	11.50	8.37	1.91	11.82	8.36	1.92	12.15	8.92	1.93			
		20	8.65	7.13	2.12	9.63	7.17	2.15	9.96	7.79	2.16	10.62	7.82	2.18	10.95	8.44	2.19	11.60	8.41	2.22	11.93	8.40	2.23	12.26	8.96	2.24			
		25	9.06	7.31	3.03	10.10	7.35	3.08	10.44	7.99	3.09	11.13	8.02	3.12	11.47	8.66	3.14	12.16	8.63	3.17	12.51	8.61	3.19	12.85	9.19	3.20			
		30	8.53	7.07	3.25	9.50	7.12	3.30	9.83	7.74	3.31	10.47	7.77	3.35	10.80	8.38	3.36	11.45	8.35	3.40	11.77	8.34	3.42	12.09	8.90	3.43			
		35	7.98	6.83	3.45	8.89	6.88	3.51	9.19	7.47	3.53	9.80	7.50	3.58	10.10	8.10	3.58	10.71	8.07	3.58	11.01	8.06	3.58	11.31	8.59	3.58			
		40	6.69	6.03	3.16	7.45	6.07	3.20	7.70	6.59	3.22	8.21	6.62	3.25	8.46	7.15	3.27	8.97	7.12	3.30	9.23	7.11	3.32	9.48	7.58	3.34			
46	4.36	4.36	2.35	4.86	4.55	2.39	5.03	4.94	2.40	5.36	4.96	2.43	5.52	5.35	2.44	5.85	5.33	2.46	6.02	5.32	2.48	6.18	5.68	2.49					

● Indoor unit : 7000Btu + 12000Btu + 12000Btu + 18000Btu

		Indoor temperature																											
		°CDB			18°CDB			21°CDB			23°CDB			25°CDB			27°CDB			29°CDB			30°CDB			32°CDB			
		°CWB			12°CWB			15°CWB			16°CWB			18°CWB			19°CWB			21°CWB			22°CWB			23°CWB			
7+12+12+18	Outdoor temperature	(°CDB)	TC	SHC	IP	TC	SHC	IP	TC	SHC	IP	TC	SHC	IP	TC	SHC	IP	TC	SHC	IP	TC	SHC	IP	TC	SHC	IP			
		0	8.74	7.38	2.06	9.74	7.43	2.09	10.07	8.08	2.10	10.74	8.11	2.12	11.07	8.75	2.13	11.73	8.72	2.15	12.06	8.70	2.17	12.40	9.29	2.18			
		5	8.74	7.38	2.01	9.73	7.43	2.04	10.07	8.07	2.05	10.73	8.11	2.08	11.06	8.75	2.09	11.73	8.72	2.11	12.06	8.70	2.12	12.39	9.28	2.13			
		10	8.57	7.31	2.05	9.55	7.36	2.09	9.87	7.99	2.10	10.52	8.02	2.12	10.85	8.66	2.13	11.50	8.63	2.15	11.82	8.61	2.16	12.15	9.19	2.17			
		15	8.45	7.25	1.81	9.41	7.30	1.84	9.73	7.93	1.85	10.37	7.97	1.87	10.69	8.60	1.88	11.33	8.57	1.90	11.65	8.55	1.91	11.97	9.12	1.92			
		20	8.67	7.35	2.11	9.66	7.40	2.14	9.99	8.04	2.15	10.65	8.07	2.18	10.97	8.71	2.19	11.63	8.68	2.21	11.96	8.67	2.22	12.29	9.25	2.23			
		25	8.97	7.49	3.07	9.99	7.53	3.11	10.34	8.19	3.13	11.02	8.22	3.16	11.36	8.87	3.18	12.04	8.84	3.21	12.38	8.82	3.23	12.72	9.41	3.24			
		30	8.50	7.28	3.28	9.46	7.32	3.33	9.79	7.96	3.34	10.43	7.99	3.38	10.75	8.62	3.40	11.40	8.59	3.43	11.72	8.58	3.45	12.04	9.15	3.46			
		35	7.98	7.05	3.44	8.89	7.10	3.49	9.19	7.71	3.51	9.80	7.74	3.54	10.10	8.36	3.56	10.71	8.33	3.58	11.01	8.31	3.58	11.31	8.87	3.58			
		40	6.84	6.32	3.16	7.62	6.36	3.20	7.88	6.91	3.22	8.40	6.94	3.25	8.66	7.49	3.27	9.17	7.46	3.30	9.43	7.45	3.32	9.69	7.95	3.34			
46	4.44	4.44	2.35	4.95	4.67	2.39	5.12	5.08	2.40	5.46	5.10	2.43	5.62	5.50	2.44	5.96	5.48	2.46	6.13	5.47	2.48	6.30	5.84	2.49					

● Indoor unit : 7000Btu + 12000Btu + 14000Btu + 14000Btu

		Indoor temperature																											
		°CDB			18°CDB			21°CDB			23°CDB			25°CDB			27°CDB			29°CDB			30°CDB			32°CDB			
		°CWB			12°CWB			15°CWB			16°CWB			18°CWB			19°CWB			21°CWB			22°CWB			23°CWB			
7+12+14+14	Outdoor temperature	(°CDB)	TC	SHC	IP	TC	SHC	IP	TC	SHC	IP	TC	SHC	IP	TC	SHC	IP	TC	SHC	IP	TC	SHC	IP	TC	SHC	IP			
		0	8.75	7.28	2.00	9.75	7.32	2.04	10.08	7.96	2.05	10.75	7.99	2.07	11.08	8.63	2.08	11.75	8.59	2.10	12.08	8.58	2.11	12.41	9.15	2.12			
		5	8.65	7.23	2.02	9.64	7.28	2.05	9.97	7.91	2.06	10.62	7.94	2.08	10.95	8.57	2.09	11.61	8.54	2.11	11.94	8.53	2.12	12.27	9.10	2.13			
		10	8.56	7.19	2.06	9.54	7.24	2.09	9.86	7.87	2.11	10.51	7.90	2.13	10.84	8.53	2.14	11.49	8.49	2.16	11.81	8.48	2.17	12.14	9.05	2.18			
		15	8.51	7.17	1.83	9.48	7.22	1.85	9.80	7.84	1.86	10.45	7.87	1.88	10.77	8.50	1.89	11.42	8.47	1.91	11.74	8.45	1.92	12.06	9.02	1.93			
		20	8.66	7.24	2.12	9.64	7.28	2.15	9.97	7.91	2.16	10.63	7.94	2.19	10.96	8.58	2.20	11.62	8.54	2.22	11.95	8.53	2.23	12.27	9.10	2.24			
		25	9.02	7.39	3.06	10.05	7.44	3.10	10.39	8.09	3.12	11.07	8.12	3.15	11.42	8.76	3.17	12.10	8.73	3.20	12.44	8.72	3.21	12.79	9.30	3.23			
		30	8.51	7.17	3.27	9.48	7.22	3.32	9.81	7.84	3.34	10.45	7.87	3.37	10.78	8.50	3.39	11.42	8.47	3.42	11.75	8.45	3.44	12.07	9.02	3.46			
		35	7.98	6.94	3.45	8.89	6.98	3.51	9.19	7.59	3.53	9.80	7.62	3.58	10.10	8.22	3.58	10.71	8.19	3.58	11.01	8.18	3.58	11.31	8.73	3.58			
		40	6.76	6.17	3.16	7.53	6.21	3.20	7.79	6.75	3.22	8.30	6.78	3.25	8.56	7.32	3.27	9.07	7.29	3.30	9.33	7.28	3.32	9.59	7.76	3.34			
46	4.40	4.40	2.35	4.90	4.61	2.39	5.07	5.01	2.40	5.41	5.03	2.43	5.57	5.43	2.44	5.91	5.41	2.46	6.07	5.40	2.48	6.24	5.76	2.49					

● Indoor unit : 9000Btu + 9000Btu + 9000Btu + 9000Btu

		Indoor temperature																											
		°CDB			18°CDB			21°CDB			23°CDB			25°CDB			27°CDB			29°CDB			30°CDB			32°CDB			
		°CWB			12°CWB			15°CWB			16°CWB			18°CWB			19°CWB			21°CWB			22°CWB			23°CWB			
9+9+9+9	Outdoor temperature	(°CDB)	TC	SHC	IP	TC	SHC	IP	TC	SHC	IP	TC	SHC	IP	TC	SHC	IP	TC	SHC	IP	TC	SHC	IP	TC	SHC	IP			
		0	7.87	6.56	1.45	8.76	6.60	1.47	9.06	7.17	1.48	9.66	7.20	1.49	9.96	7.77	1.50	10.55	7.74	1.51	10.85	7.73	1.52	11.15	8.24	1.53			
		5	7.44	6.36	1.74	8.28	6.40	1.76	8.57	6.96	1.77	9.13	6.98	1.79	9.41	7.54	1.80	9.98	7.51	1.82	10.26	7.50	1.83	10.54	8.00	1.84			
		10	7.57	6.42	1.89	8.43	6.46	1.92	8.72	7.02	1.93	9.29	7.05	1.95	9.58	7.61	1.96	10.15	7.58	1.98	10.44	7.57	1.99	10.73	8.07	2.00			
		15	8.72	6.94	2.20	9.72	6.99	2.24	10.05	7.59	2.25	10.71	7.62	2.27	11.04	8.23	2.28	11.70	8.20	2.31	12.04	8.19	2.32	12.37	8.73	2.33			
		20	8.53	6.86	2.09	9.50	6.90	2.13	9.82	7.50	2.14	10.47	7.53	2.16	10.79	8.12	2.17	11.44	8.10	2.19	11.77	8.08	2.20	12.09	8.62	2.21			
		25	9.15	7.14	2.89	10.20	7.19	2.94	10.54	7.81	2.95	11.24	7.84	2.98	11.59	8.46	3.00	12.28	8.43	3.03	12.63	8.42	3.04	12.98	8.98	3.06			

● Indoor unit : 9000Btu + 9000Btu + 9000Btu + 12000Btu

		Indoor temperature																											
		°CDB			18°CDB			21°CDB			23°CDB			25°CDB			27°CDB			29°CDB			30°CDB			32°CDB			
		°CWB			12°CWB			15°CWB			16°CWB			18°CWB			19°CWB			21°CWB			22°CWB			23°CWB			
9+9+9+12	Outdoor temperature	(°CDB)	TC	SHC	IP	TC	SHC	IP	TC	SHC	IP	TC	SHC	IP	TC	SHC	IP	TC	SHC	IP	TC	SHC	IP	TC	SHC	IP			
		0	8.17	6.60	1.61	9.10	6.64	1.64	9.41	7.22	1.65	10.03	7.25	1.66	10.34	7.82	1.67	10.96	7.80	1.69	11.27	7.78	1.70	11.58	8.30	1.70			
		5	7.79	6.44	1.84	8.68	6.48	1.87	8.98	7.04	1.88	9.57	7.07	1.90	9.86	7.63	1.90	10.46	7.60	1.92	10.75	7.59	1.93	11.05	8.10	1.94			
		10	7.90	6.48	1.90	8.80	6.53	1.93	9.10	7.09	1.94	9.70	7.12	1.96	10.00	7.68	1.97	10.60	7.66	1.99	10.90	7.64	2.00	11.20	8.15	2.01			
		15	8.65	6.81	2.28	9.63	6.86	2.32	9.96	7.45	2.33	10.62	7.48	2.35	10.95	8.07	2.36	11.61	8.04	2.39	11.93	8.03	2.40	12.26	8.57	2.41			
		20	8.54	6.76	2.10	9.51	6.81	2.14	9.83	7.40	2.15	10.48	7.43	2.17	10.81	8.02	2.18	11.45	7.99	2.20	11.78	7.97	2.21	12.10	8.50	2.22			
		25	9.10	7.01	2.94	10.14	7.05	2.99	10.48	7.67	3.00	11.17	7.70	3.03	11.52	8.31	3.05	12.21	8.28	3.08	12.55	8.26	3.09	12.90	8.81	3.11			
		30	8.50	6.75	3.17	9.47	6.79	3.21	9.79	7.38	3.23	10.44	7.41	3.26	10.76	8.00	3.28	11.40	7.97	3.31	11.73	7.95	3.33	12.05	8.48	3.35			
		35	7.90	6.49	3.45	8.80	6.53	3.51	9.10	7.09	3.53	9.70	7.12	3.58	10.00	7.69	3.58	10.60	7.66	3.58	10.90	7.64	3.58	11.20	8.15	3.58			
		40	6.46	5.60	3.16	7.20	5.63	3.20	7.44	6.12	3.22	7.93	6.14	3.25	8.18	6.63	3.27	8.67	6.61	3.30	8.91	6.60	3.32	9.16	7.04	3.34			
46	4.24	4.24	2.35	4.72	4.36	2.39	4.89	4.73	2.40	5.21	4.75	2.43	5.37	5.13	2.44	5.69	5.11	2.46	5.85	5.10	2.48	6.01	5.44	2.49					

● Indoor unit : 9000Btu + 9000Btu + 9000Btu + 14000Btu

		Indoor temperature																											
		°CDB			18°CDB			21°CDB			23°CDB			25°CDB			27°CDB			29°CDB			30°CDB			32°CDB			
		°CWB			12°CWB			15°CWB			16°CWB			18°CWB			19°CWB			21°CWB			22°CWB			23°CWB			
9+9+9+14	Outdoor temperature	(°CDB)	TC	SHC	IP	TC	SHC	IP	TC	SHC	IP	TC	SHC	IP	TC	SHC	IP	TC	SHC	IP	TC	SHC	IP	TC	SHC	IP			
		0	8.21	6.74	1.68	9.14	6.78	1.70	9.45	7.37	1.71	10.08	7.40	1.73	10.39	7.99	1.74	11.01	7.96	1.76	11.32	7.94	1.76	11.63	8.47	1.77			
		5	7.89	6.60	1.85	8.79	6.64	1.88	9.09	7.22	1.89	9.69	7.25	1.91	9.99	7.82	1.92	10.58	7.79	1.94	10.88	7.78	1.95	11.18	8.30	1.96			
		10	7.96	6.63	1.91	8.87	6.67	1.94	9.17	7.25	1.95	9.77	7.28	1.97	10.08	7.86	1.98	10.68	7.83	2.00	10.98	7.82	2.01	11.29	8.34	2.02			
		15	8.68	6.95	1.83	9.67	6.99	1.86	10.00	7.60	1.87	10.66	7.63	1.89	10.99	8.23	1.90	11.65	8.20	1.92	11.98	8.19	1.92	12.31	8.73	1.93			
		20	8.63	6.92	2.11	9.61	6.97	2.15	9.94	7.57	2.16	10.60	7.60	2.18	10.92	8.20	2.19	11.58	8.18	2.21	11.91	8.16	2.22	12.23	8.71	2.23			
		25	9.15	7.15	2.98	10.19	7.20	3.02	10.54	7.82	3.04	11.23	7.85	3.07	11.58	8.47	3.08	12.28	8.44	3.11	12.62	8.43	3.13	12.97	8.99	3.14			
		30	8.57	6.90	3.20	9.54	6.94	3.25	9.87	7.54	3.26	10.52	7.57	3.30	10.84	8.17	3.31	11.49	8.14	3.35	11.82	8.13	3.36	12.14	8.67	3.38			
		35	7.98	6.64	3.45	8.89	6.68	3.51	9.19	7.26	3.53	9.80	7.29	3.58	10.10	7.87	3.58	10.71	7.84	3.58	11.01	7.83	3.58	11.31	8.35	3.58			
		40	6.54	5.74	3.16	7.28	5.78	3.20	7.53	6.28	3.22	8.03	6.30	3.25	8.27	6.80	3.27	8.77	6.78	3.30	9.02	6.77	3.32	9.27	7.22	3.34			
46	4.28	4.28	2.35	4.77	4.42	2.39	4.93	4.80	2.40	5.26	4.82	2.43	5.42	5.20	2.44	5.75	5.19	2.46	5.91	5.18	2.48	6.07	5.52	2.49					

● Indoor unit* : 9000Btu + 9000Btu + 9000Btu + 18000Btu

		Indoor temperature																											
		°CDB			18°CDB			21°CDB			23°CDB			25°CDB			27°CDB			29°CDB			30°CDB			32°CDB			
		°CWB			12°CWB			15°CWB			16°CWB			18°CWB			19°CWB			21°CWB			22°CWB			23°CWB			
9+9+9+18	Outdoor temperature	(°CDB)	TC	SHC	IP	TC	SHC	IP	TC	SHC	IP	TC	SHC	IP	TC	SHC	IP	TC	SHC	IP	TC	SHC	IP	TC	SHC	IP			
		0	8.77	7.49	1.94	9.77	7.54	1.97	10.10	8.19	1.98	10.77	8.23	2.00	11.10	8.88	2.01	11.77	8.85	2.03	12.10	8.83	2.04	12.44	9.42	2.05			
		5	8.58	7.41	2.01	9.56	7.45	2.04	9.89	8.10	2.05	10.54	8.13	2.07	10.87	8.78	2.08	11.52	8.75	2.10	11.84	8.73	2.11	12.17	9.31	2.12			
		10	8.56	7.39	2.06	9.53	7.44	2.09	9.86	8.09	2.10	10.51	8.12	2.12	10.83	8.76	2.13	11.48	8.73	2.16	11.81	8.72	2.17	12.13	9.30	2.18			
		15	8.57	7.40	1.83	9.55	7.45	1.86	9.87	8.09	1.87	10.52	8.12	1.88	10.85	8.77	1.89	11.50	8.74	1.91	11.82	8.72	1.92	12.15	9.30	1.93			
		20	8.65	7.44	2.12	9.63	7.48	2.15	9.96	8.13	2.16	10.62	8.16	2.18	10.95	8.81	2.19	11.60	8.78	2.22	11.93	8.76	2.23	12.26	9.35	2.24			
		25	9.06	7.63	3.03	10.10	7.67	3.08	10.44	8.34	3.09	11.13	8.37	3.12	11.47	9.04	3.14	12.16	9.00	3.17	12.51	8.99	3.19	12.85	9.59	3.20			
		30	8.53	7.38	3.25	9.50	7.43	3.30	9.83	8.07	3.31	10.47	8.11	3.35	10.80	8.75	3.36	11.45	8.72	3.40	11.77	8.70	3.42	12.09	9.28	3.43			
		35	7.98	7.13	3.45	8.89	7.18	3.51	9.19	7.80	3.53	9.80	7.83	3.58	10.10	8.45	3.58	10.71	8.42	3.58	11.01	8.41	3.58	11.31	8.97	3.58			
		40	6.69	6.03	3.16	7.45	6.07	3.20	7.70	6.59	3.22	8.21	6.62	3.25	8.46	7.15	3.27	8.97	7.12	3.30	9.23	7.11	3.32	9.48	7.58	3.34			
46	4.36	4.36	2.35	4.86	4.55	2.39	5.03	4.94	2.40	5.36	4.96	2.43	5.52	5.35	2.44	5.85	5.33	2.46	6.02	5.32	2.48	6.18	5.68	2.49					

* : The pattern including " AR*G09L + AR*G09L + AR*G09L + AS*G18L " can not be connected.

● Indoor unit : 9000Btu + 9000Btu + 12000Btu + 12000Btu

		Indoor temperature																											
		°CDB			18°CDB			21°CDB			23°CDB			25°CDB			27°CDB			29°CDB			30°CDB			32°CDB			
		°CWB			12°CWB			15°CWB			16°CWB			18°CWB			19°CWB			21°CWB			22°CWB			23°CWB			
9+9+12+12	Outdoor temperature	(°CDB)	TC	SHC	IP	TC	SHC	IP	TC	SHC	IP	TC	SHC	IP	TC	SHC	IP	TC	SHC	IP	TC	SHC	IP	TC	SHC	IP			
		0	8.82	7.05	1.84	9.82	7.10	1.87	10.16	7.71	1.88	10.83	7.74	1.90	11.16	8.36	1.91	11.83	8.33	1.93	12.17	8.31	1.93	12.50	8.87	1.94			
		5	8.51	6.92	2.00	9.48	6.96	2.03	9.80	7.57	2.04	10.45	7.60	2.06	10.77	8.20	2.07	11.42	8.17	2.09	11.74	8.15	2.10	12.07	8.70	2.11			
		10	8.57	6.94	2.06	9.54	6.99	2.09	9.87	7.59	2.10	10.52	7.62	2.12	10.84	8.23	2.13	11.49	8.20	2.15	11.82	8.18	2.16	12.15	8.73	2.17			
		15	8.66	6.98	1.83	9.64	7.03	1.86	9.97	7.63	1.87	10.63	7.66	1.89	10.96	8.27	1.90	11.61	8.24	1.91	11.94	8.23	1.92	12.27	8.78	1.93			
		20	8.63	6.97	2.11	9.62	7.02	2.15	9.95	7.62	2.16	10.60	7.65	2.18	10.93	8.26	2.19	11.58	8.23	2.21	11.91	8.22	2.22	12.24	8.77	2.23			
		25	9.13	7.19	2.99	10.17	7.23	3.04	10.52	7.86	3.05	11.21	7.89	3.08	11.56	8.52	3.10	12.25	8.49	3.13	12.60	8.47	3.14	12.94	9.04	3.16			
		30	8.56	6.94	3.21	9.53	6.98	3.26	9.86	7.59	3.28	10.51	7.62	3.31	10.83	8.22	3.33	11.48	8.19	3.36	11.81	8.18	3.38	12.13	8.72	3.39			
		35	7.98	6.69	3.45	8.89	6.73	3.51	9.19	7.31	3.53	9.80	7.34	3.58	10.10	7.92	3.58	10.71	7.89	3.58	11.01	7.88	3.58	11.31	8.41	3.58			
		40	6.57	5.81	3.16	7.32	5.85	3.20	7.57	6.36	3.22	8.07	6.38	3.25	8.32	6.89	3.27	8.82	6.86	3.30	9.07	6.85	3.32	9.32	7.31	3.34			
46	4.30	4.30	2.35	4.79	4.45	2.39	4.96	4.84	2.40	5.28	4.86	2.43	5.45	5.24	2.44	5.77	5.22	2.46	5.94	5.21	2.48	6.10	5.56	2.49					

TC : Total Capacity (kW)

● Indoor unit : 9000Btu + 9000Btu + 12000Btu + 14000Btu

		Indoor temperature																										
		°CDB			18°CDB			21°CDB			23°CDB			25°CDB			27°CDB			29°CDB			30°CDB			32°CDB		
		°CWB			12°CWB			15°CWB			16°CWB			18°CWB			19°CWB			21°CWB			22°CWB			23°CWB		
9+9+12+14	Outdoor temperature	(°CDB)	TC	SHC	IP	TC	SHC	IP	TC	SHC	IP	TC	SHC	IP	TC	SHC	IP	TC	SHC	IP	TC	SHC	IP	TC	SHC	IP		
		0	8.79	7.14	1.91	9.79	7.18	1.93	10.12	7.80	1.94	10.79	7.83	1.96	11.12	8.46	1.97	11.79	8.43	1.99	12.12	8.41	2.00	12.46	8.97	2.01		
		5	8.56	7.03	2.00	9.53	7.08	2.04	9.85	7.69	2.05	10.50	7.72	2.07	10.83	8.34	2.08	11.48	8.31	2.10	11.80	8.29	2.11	12.13	8.85	2.12		
		10	8.56	7.04	2.06	9.53	7.08	2.09	9.86	7.70	2.10	10.51	7.73	2.12	10.83	8.34	2.13	11.48	8.31	2.16	11.81	8.29	2.17	12.13	8.85	2.18		
		15	8.60	7.05	1.83	9.58	7.10	1.86	9.90	7.71	1.87	10.56	7.74	1.88	10.88	8.36	1.89	11.54	8.33	1.91	11.86	8.31	1.92	12.19	8.87	1.93		
		20	8.64	7.07	2.12	9.63	7.12	2.15	9.96	7.74	2.16	10.61	7.77	2.18	10.94	8.38	2.19	11.60	8.35	2.21	11.92	8.34	2.23	12.25	8.89	2.24		
		25	9.09	7.27	3.02	10.12	7.31	3.06	10.47	7.95	3.08	11.16	7.98	3.11	11.50	8.61	3.13	12.19	8.58	3.16	12.54	8.57	3.17	12.88	9.14	3.19		
		30	8.54	7.03	3.23	9.51	7.07	3.29	9.84	7.69	3.30	10.49	7.72	3.34	10.81	8.33	3.35	11.46	8.30	3.39	11.78	8.28	3.40	12.11	8.84	3.42		
		35	7.98	6.78	3.45	8.89	6.83	3.51	9.19	7.42	3.53	9.80	7.45	3.58	10.10	8.04	3.58	10.71	8.01	3.58	11.01	8.00	3.58	11.31	8.53	3.58		
		40	6.65	5.96	3.16	7.41	6.00	3.20	7.66	6.52	3.22	8.16	6.54	3.25	8.42	7.06	3.27	8.92	7.04	3.30	9.17	7.02	3.32	9.43	7.49	3.34		
46	4.34	4.34	2.35	4.84	4.51	2.39	5.00	4.91	2.40	5.33	4.92	2.43	5.50	5.32	2.44	5.83	5.30	2.46	5.99	5.29	2.48	6.16	5.64	2.49				

● Indoor unit* : 9000Btu + 9000Btu + 12000Btu + 18000Btu

		Indoor temperature																										
		°CDB			18°CDB			21°CDB			23°CDB			25°CDB			27°CDB			29°CDB			30°CDB			32°CDB		
		°CWB			12°CWB			15°CWB			16°CWB			18°CWB			19°CWB			21°CWB			22°CWB			23°CWB		
9+9+12+18	Outdoor temperature	(°CDB)	TC	SHC	IP	TC	SHC	IP	TC	SHC	IP	TC	SHC	IP	TC	SHC	IP	TC	SHC	IP	TC	SHC	IP	TC	SHC	IP		
		0	8.75	7.33	2.04	9.74	7.38	2.07	10.08	8.02	2.08	10.74	8.05	2.10	11.07	8.69	2.11	11.74	8.66	2.13	12.07	8.64	2.14	12.40	9.22	2.15		
		5	8.69	7.31	2.02	9.68	7.35	2.05	10.01	7.99	2.06	10.67	8.02	2.08	11.00	8.66	2.09	11.66	8.63	2.11	11.99	8.61	2.12	12.33	9.19	2.14		
		10	8.56	7.25	2.06	9.54	7.30	2.10	9.86	7.93	2.11	10.52	7.96	2.13	10.84	8.59	2.14	11.49	8.56	2.16	11.82	8.55	2.17	12.14	9.12	2.18		
		15	8.48	7.21	1.83	9.44	7.26	1.85	9.77	7.89	1.86	10.41	7.92	1.88	10.73	8.55	1.89	11.38	8.52	1.91	11.70	8.50	1.92	12.02	9.07	1.93		
		20	8.66	7.29	2.12	9.65	7.34	2.15	9.98	7.98	2.17	10.64	8.01	2.19	10.97	8.64	2.20	11.62	8.61	2.22	11.95	8.60	2.23	12.28	9.17	2.24		
		25	9.00	7.44	3.07	10.02	7.49	3.12	10.36	8.14	3.13	11.05	8.17	3.17	11.39	8.82	3.18	12.07	8.78	3.21	12.41	8.77	3.23	12.75	9.35	3.25		
		30	8.50	7.22	3.28	9.47	7.27	3.33	9.80	7.90	3.35	10.44	7.93	3.39	10.76	8.56	3.40	11.41	8.53	3.44	11.73	8.52	3.45	12.06	9.08	3.47		
		35	7.98	6.99	3.45	8.89	7.04	3.51	9.19	7.65	3.53	9.80	7.68	3.58	10.10	8.29	3.58	10.71	8.26	3.58	11.01	8.24	3.58	11.31	8.80	3.58		
		40	6.80	6.25	3.16	7.57	6.29	3.20	7.83	6.83	3.22	8.35	6.86	3.25	8.61	7.40	3.27	9.12	7.38	3.30	9.38	7.36	3.32	9.64	7.85	3.34		
46	4.42	4.42	2.35	4.93	4.64	2.39	5.09	5.04	2.40	5.43	5.06	2.43	5.60	5.47	2.44	5.93	5.45	2.46	6.10	5.44	2.48	6.27	5.80	2.49				

* : The pattern including " AR*G09L + AR*G09L + AR*G12L + AS*G18L " can not be connected.

● Indoor unit : 9000Btu + 9000Btu + 14000Btu + 14000Btu

		Indoor temperature																										
		°CDB			18°CDB			21°CDB			23°CDB			25°CDB			27°CDB			29°CDB			30°CDB			32°CDB		
		°CWB			12°CWB			15°CWB			16°CWB			18°CWB			19°CWB			21°CWB			22°CWB			23°CWB		
9+9+14+14	Outdoor temperature	(°CDB)	TC	SHC	IP	TC	SHC	IP	TC	SHC	IP	TC	SHC	IP	TC	SHC	IP	TC	SHC	IP	TC	SHC	IP	TC	SHC	IP		
		0	8.74	7.38	2.07	9.74	7.43	2.10	10.07	8.08	2.11	10.74	8.11	2.13	11.07	8.75	2.15	11.73	8.72	2.17	12.06	8.70	2.18	12.40	9.29	2.19		
		5	8.74	7.38	2.02	9.73	7.43	2.06	10.07	8.07	2.07	10.73	8.11	2.09	11.06	8.75	2.10	11.73	8.72	2.12	12.06	8.70	2.13	12.39	9.28	2.14		
		10	8.57	7.31	2.07	9.55	7.36	2.10	9.87	7.99	2.11	10.52	8.02	2.13	10.85	8.66	2.14	11.50	8.63	2.16	11.82	8.61	2.17	12.15	9.19	2.18		
		15	8.45	7.25	1.82	9.41	7.30	1.85	9.73	7.93	1.86	10.37	7.97	1.88	10.69	8.60	1.89	11.33	8.57	1.91	11.65	8.55	1.92	11.97	9.12	1.93		
		20	8.67	7.35	2.12	9.66	7.40	2.16	9.99	8.04	2.17	10.65	8.07	2.19	10.97	8.71	2.20	11.63	8.68	2.22	11.96	8.67	2.23	12.29	9.25	2.24		
		25	8.97	7.49	3.08	9.99	7.53	3.13	10.34	8.19	3.15	11.02	8.22	3.18	11.36	8.87	3.20	12.04	8.84	3.23	12.38	8.82	3.24	12.72	9.41	3.26		
		30	8.50	7.28	3.30	9.46	7.32	3.35	9.79	7.96	3.36	10.43	7.99	3.40	10.75	8.62	3.41	11.40	8.59	3.45	11.72	8.58	3.47	12.04	9.15	3.48		
		35	7.98	7.05	3.45	8.89	7.10	3.51	9.19	7.71	3.53	9.80	7.74	3.58	10.10	8.36	3.58	10.71	8.33	3.58	11.01	8.31	3.58	11.31	8.87	3.58		
		40	6.72	6.10	3.16	7.49	6.14	3.20	7.75	6.67	3.22	8.26	6.70	3.25	8.51	7.23	3.27	9.02	7.21	3.30	9.28	7.19	3.32	9.53	7.67	3.34		
46	4.38	4.38	2.35	4.88	4.58	2.39	5.05	4.97	2.40	5.38	4.99	2.43	5.55	5.39	2.44	5.88	5.37	2.46	6.05	5.36	2.48	6.21	5.72	2.49				

● Indoor unit : 9000Btu + 12000Btu + 12000Btu + 12000Btu

		Indoor temperature																										
		°CDB			18°CDB			21°CDB			23°CDB			25°CDB			27°CDB			29°CDB			30°CDB			32°CDB		
		°CWB			12°CWB			15°CWB			16°CWB			18°CWB			19°CWB			21°CWB			22°CWB			23°CWB		
9+12+12+12	Outdoor temperature	(°CDB)	TC	SHC	IP	TC	SHC	IP	TC	SHC	IP	TC	SHC	IP	TC	SHC	IP	TC	SHC	IP	TC	SHC	IP	TC	SHC	IP		
		0	8.77	7.18	1.94	9.77	7.23	1.97	10.10	7.85	1.98	10.77	7.88	2.00	11.10	8.51	2.01	11.77	8.48	2.03	12.10	8.46	2.04	12.44	9.03	2.05		
		5	8.58	7.10	2.01	9.56	7.14	2.04	9.89	7.76	2.05	10.54	7.79	2.07	10.87	8.41	2.08	11.52	8.38	2.10	11.84	8.37	2.11	12.17	8.92	2.12		
		10	8.56	7.09	2.06	9.53	7.13	2.09	9.86	7.75	2.10	10.51	7.78	2.12	10.83	8.40	2.13	11.48	8.37	2.16	11.81	8.35	2.17	12.13	8.91	2.18		
		15	8.57	7.09	1.83	9.55	7.14	1.86	9.87	7.76	1.87	10.52	7.79	1.88	10.85	8.40	1.89	11.50	8.37	1.91	11.82	8.36	1.92	12.15	8.92	1.93		
		20	8.65	7.13	2.12	9.63	7.17	2.15	9.96	7.79	2.16	10.62	7.82	2.18	10.95	8.44	2.19	11.60	8.41	2.22	11.93	8.40	2.23	12.26	8.96	2.24		
		25	9.06	7.31	3.03	10.10	7.35	3.08	10.44	7.99	3.09	11.13	8.02	3.12	11.47	8.66	3.14	12.16	8.63	3.17	12.51	8.61	3.19	12.85	9.19	3.20		
		30	8.53	7.07	3.25	9.50	7.12	3.30	9.83	7.74	3.31	10.47	7.77	3.35	10.80	8.38	3.36	11.45	8.35	3.40	11.77	8.34	3.42	12.09	8.90	3.43		
		35	7.98	6.83	3.45	8.89	6.88	3.51	9.19	7.47	3.53	9.80	7.50	3.58	10.10	8.10	3.58	10.71	8.07	3.								

● Indoor unit : 9000Btu + 12000Btu + 12000Btu + 14000Btu

		Indoor temperature																								
		18°CDB			21°CDB			23°CDB			25°CDB			27°CDB			29°CDB			30°CDB			32°CDB			
		°CWB			15°CWB			16°CWB			18°CWB			19°CWB			21°CWB			22°CWB			23°CWB			
9+12+12+14	Outdoor temperature	(°CDB)	TC	SHC	IP	TC	SHC	IP	TC	SHC	IP	TC	SHC	IP	TC	SHC	IP	TC	SHC	IP	TC	SHC	IP	TC	SHC	IP
		0	8.75	7.28	2.00	9.75	7.32	2.04	10.08	7.96	2.05	10.75	7.99	2.07	11.08	8.63	2.08	11.75	8.59	2.10	12.08	8.58	2.11	12.41	9.15	2.12
		5	8.65	7.23	2.02	9.64	7.28	2.05	9.97	7.91	2.06	10.62	7.94	2.08	10.95	8.57	2.09	11.61	8.54	2.11	11.94	8.53	2.12	12.27	9.10	2.13
		10	8.56	7.19	2.06	9.54	7.24	2.09	9.86	7.87	2.11	10.51	7.90	2.13	10.84	8.53	2.14	11.49	8.49	2.16	11.81	8.48	2.17	12.14	9.05	2.18
		15	8.51	7.17	1.83	9.48	7.22	1.85	9.80	7.84	1.86	10.45	7.87	1.88	10.77	8.50	1.89	11.42	8.47	1.91	11.74	8.45	1.92	12.06	9.02	1.93
		20	8.66	7.24	2.12	9.64	7.28	2.15	9.97	7.91	2.16	10.63	7.94	2.19	10.96	8.58	2.20	11.62	8.54	2.22	11.95	8.53	2.23	12.27	9.10	2.24
		25	9.02	7.39	3.06	10.05	7.44	3.10	10.39	8.09	3.12	11.07	8.12	3.15	11.42	8.76	3.17	12.10	8.73	3.20	12.44	8.72	3.21	12.79	9.30	3.23
		30	8.51	7.17	3.27	9.48	7.22	3.32	9.81	7.84	3.34	10.45	7.87	3.37	10.78	8.50	3.39	11.42	8.47	3.42	11.75	8.45	3.44	12.07	9.02	3.46
		35	7.98	6.94	3.45	8.89	6.98	3.51	9.19	7.59	3.53	9.80	7.62	3.58	10.10	8.22	3.58	10.71	8.19	3.58	11.01	8.18	3.58	11.31	8.73	3.58
		40	6.76	6.17	3.16	7.53	6.21	3.20	7.79	6.75	3.22	8.30	6.78	3.25	8.56	7.32	3.27	9.07	7.29	3.30	9.33	7.28	3.32	9.59	7.76	3.34
46	4.40	4.40	2.35	4.90	4.61	2.39	5.07	5.01	2.40	5.41	5.03	2.43	5.57	5.43	2.44	5.91	5.41	2.46	6.07	5.40	2.48	6.24	5.76	2.49		

● Indoor unit : 9000Btu + 12000Btu + 14000Btu + 14000Btu

		Indoor temperature																								
		18°CDB			21°CDB			23°CDB			25°CDB			27°CDB			29°CDB			30°CDB			32°CDB			
		°CWB			15°CWB			16°CWB			18°CWB			19°CWB			21°CWB			22°CWB			23°CWB			
9+12+14+14	Outdoor temperature	(°CDB)	TC	SHC	IP	TC	SHC	IP	TC	SHC	IP	TC	SHC	IP	TC	SHC	IP	TC	SHC	IP	TC	SHC	IP	TC	SHC	IP
		0	8.74	7.38	2.07	9.74	7.43	2.10	10.07	8.08	2.11	10.74	8.11	2.13	11.07	8.75	2.15	11.73	8.72	2.17	12.06	8.70	2.18	12.40	9.29	2.19
		5	8.74	7.38	2.02	9.73	7.43	2.06	10.07	8.07	2.07	10.73	8.11	2.09	11.06	8.75	2.10	11.73	8.72	2.12	12.06	8.70	2.13	12.39	9.28	2.14
		10	8.57	7.31	2.07	9.55	7.36	2.10	9.87	7.99	2.11	10.52	8.02	2.13	10.85	8.66	2.14	11.50	8.63	2.16	11.82	8.61	2.17	12.15	9.19	2.18
		15	8.45	7.25	1.82	9.41	7.30	1.85	9.73	7.93	1.86	10.37	7.97	1.88	10.69	8.60	1.89	11.33	8.57	1.91	11.65	8.55	1.92	11.97	9.12	1.93
		20	8.67	7.35	2.12	9.66	7.40	2.16	9.99	8.04	2.17	10.65	8.07	2.19	10.97	8.71	2.20	11.63	8.68	2.22	11.96	8.67	2.23	12.29	9.25	2.24
		25	8.97	7.49	3.08	9.99	7.53	3.13	10.34	8.19	3.15	11.02	8.22	3.18	11.36	8.87	3.20	12.04	8.84	3.23	12.38	8.82	3.24	12.72	9.41	3.26
		30	8.50	7.28	3.30	9.46	7.32	3.35	9.79	7.96	3.36	10.43	7.99	3.40	10.75	8.62	3.41	11.40	8.59	3.45	11.72	8.58	3.47	12.04	9.15	3.48
		35	7.98	7.05	3.45	8.89	7.10	3.51	9.19	7.71	3.53	9.80	7.74	3.58	10.10	8.36	3.58	10.71	8.33	3.58	11.01	8.31	3.58	11.31	8.87	3.58
		40	6.84	6.32	3.16	7.62	6.36	3.20	7.88	6.91	3.22	8.40	6.94	3.25	8.66	7.49	3.27	9.17	7.46	3.30	9.43	7.45	3.32	9.69	7.95	3.34
46	4.44	4.44	2.35	4.95	4.67	2.39	5.12	5.08	2.40	5.46	5.10	2.43	5.62	5.50	2.44	5.96	5.48	2.46	6.13	5.47	2.48	6.30	5.84	2.49		

● Indoor unit : 12000Btu + 12000Btu + 12000Btu + 12000Btu

		Indoor temperature																								
		18°CDB			21°CDB			23°CDB			25°CDB			27°CDB			29°CDB			30°CDB			32°CDB			
		°CWB			15°CWB			16°CWB			18°CWB			19°CWB			21°CWB			22°CWB			23°CWB			
12+12+12+12	Outdoor temperature	(°CDB)	TC	SHC	IP	TC	SHC	IP	TC	SHC	IP	TC	SHC	IP	TC	SHC	IP	TC	SHC	IP	TC	SHC	IP	TC	SHC	IP
		0	8.75	7.21	2.04	9.74	7.26	2.07	10.08	7.89	2.08	10.74	7.92	2.10	11.07	8.55	2.11	11.74	8.52	2.13	12.07	8.50	2.14	12.40	9.07	2.15
		5	8.69	7.19	2.02	9.68	7.24	2.05	10.01	7.86	2.06	10.67	7.90	2.08	11.00	8.52	2.09	11.66	8.49	2.11	11.99	8.48	2.12	12.33	9.04	2.14
		10	8.56	7.14	2.06	9.54	7.18	2.10	9.86	7.80	2.11	10.52	7.83	2.13	10.84	8.46	2.14	11.49	8.43	2.16	11.82	8.41	2.17	12.14	8.97	2.18
		15	8.48	7.10	1.83	9.44	7.14	1.85	9.77	7.76	1.86	10.41	7.79	1.88	10.73	8.41	1.89	11.38	8.38	1.91	11.70	8.37	1.92	12.02	8.93	1.93
		20	8.66	7.18	2.12	9.65	7.22	2.15	9.98	7.85	2.17	10.64	7.88	2.19	10.97	8.51	2.20	11.62	8.48	2.22	11.95	8.46	2.23	12.28	9.03	2.24
		25	9.00	7.32	3.07	10.02	7.37	3.12	10.36	8.01	3.13	11.05	8.04	3.17	11.39	8.68	3.18	12.07	8.65	3.21	12.41	8.63	3.23	12.75	9.21	3.25
		30	8.50	7.11	3.28	9.47	7.16	3.33	9.80	7.78	3.35	10.44	7.81	3.39	10.76	8.43	3.40	11.41	8.40	3.44	11.73	8.38	3.45	12.06	8.94	3.47
		35	7.98	6.88	3.45	8.89	6.93	3.51	9.19	7.53	3.53	9.80	7.56	3.58	10.10	8.16	3.58	10.71	8.13	3.58	11.01	8.11	3.58	11.31	8.66	3.58
		40	6.80	6.25	3.16	7.57	6.29	3.20	7.83	6.83	3.22	8.35	6.86	3.25	8.61	7.40	3.27	9.12	7.38	3.30	9.38	7.36	3.32	9.64	7.85	3.34
46	4.42	4.42	2.35	4.93	4.64	2.39	5.09	5.04	2.40	5.43	5.06	2.43	5.60	5.47	2.44	5.93	5.45	2.46	6.10	5.44	2.48	6.27	5.80	2.49		

TC : Total Capacity (kW)
 SHC : Sensible Heat Capacity (kW)
 IP : Input Power (kW)

OUTDOOR UNIT
AO*G30L4

OUTDOOR UNIT
AO*G30L4

5-3. HEATING CAPACITY

This table is created using the maximum capacity.

Note: 3 or more indoor units should be connected.

■ MODEL: AO*G30L4

● Indoor unit : 7000Btu

			Indoor temperature										
			16°CDB		18°CDB		20°CDB		22°CDB		24°CDB		
7	Outdoor temperature	(°CDB)	(°CWB)	TC	IP	TC	IP	TC	IP	TC	IP	TC	IP
		-10	-11	2.46	1.26	2.40	1.29	2.34	1.31	2.28	1.34	2.23	1.37
		-5	-7	2.67	1.24	2.60	1.26	2.54	1.29	2.48	1.31	2.41	1.34
		0	-2	2.74	1.12	2.67	1.14	2.61	1.16	2.54	1.19	2.48	1.21
		5	3	3.19	1.16	3.11	1.19	3.04	1.21	2.96	1.24	2.88	1.26
		7	6	3.47	1.20	3.38	1.23	3.30	1.25	3.22	1.28	3.14	1.30
		10	8	3.62	1.22	3.53	1.25	3.45	1.28	3.36	1.30	3.28	1.33
		15	10	3.64	1.24	3.55	1.26	3.47	1.29	3.38	1.31	3.29	1.34
		20	15	3.60	1.08	3.52	1.10	3.43	1.13	3.35	1.15	3.26	1.17

● Indoor unit : 9000Btu

			Indoor temperature										
			16°CDB		18°CDB		20°CDB		22°CDB		24°CDB		
9	Outdoor temperature	(°CDB)	(°CWB)	TC	IP	TC	IP	TC	IP	TC	IP	TC	IP
		-10	-11	2.76	1.42	2.69	1.45	2.63	1.48	2.56	1.51	2.50	1.54
		-5	-7	2.99	1.39	2.92	1.42	2.85	1.45	2.78	1.48	2.71	1.51
		0	-2	3.07	1.26	3.00	1.29	2.92	1.31	2.85	1.34	2.78	1.36
		5	3	3.57	1.31	3.49	1.34	3.40	1.37	3.32	1.40	3.23	1.42
		7	6	3.89	1.35	3.79	1.38	3.70	1.41	3.61	1.44	3.52	1.47
		10	8	4.06	1.38	3.96	1.41	3.87	1.44	3.77	1.47	3.67	1.50
		15	10	4.08	1.39	3.98	1.42	3.89	1.45	3.79	1.48	3.69	1.51
		20	15	4.04	1.22	3.94	1.24	3.85	1.27	3.75	1.29	3.66	1.32

● Indoor unit : 12000Btu

			Indoor temperature										
			16°CDB		18°CDB		20°CDB		22°CDB		24°CDB		
12	Outdoor temperature	(°CDB)	(°CWB)	TC	IP	TC	IP	TC	IP	TC	IP	TC	IP
		-10	-11	3.35	1.81	3.27	1.85	3.20	1.89	3.12	1.93	3.04	1.97
		-5	-7	3.64	1.78	3.55	1.82	3.47	1.85	3.38	1.89	3.29	1.93
		0	-2	3.73	1.61	3.64	1.64	3.56	1.67	3.47	1.71	3.38	1.74
		5	3	4.35	1.68	4.24	1.71	4.14	1.75	4.04	1.78	3.93	1.82
		7	6	4.73	1.73	4.61	1.76	4.50	1.80	4.39	1.84	4.28	1.87
		10	8	4.94	1.76	4.82	1.80	4.70	1.84	4.58	1.87	4.47	1.91
		15	10	4.96	1.78	4.84	1.82	4.73	1.85	4.61	1.89	4.49	1.93
		20	15	4.91	1.56	4.80	1.59	4.68	1.62	4.56	1.65	4.45	1.68

● Indoor unit : 14000Btu

			Indoor temperature										
			16°CDB		18°CDB		20°CDB		22°CDB		24°CDB		
14	Outdoor temperature	(°CDB)	(°CWB)	TC	IP	TC	IP	TC	IP	TC	IP	TC	IP
		-10	-11	4.32	1.92	4.22	1.96	4.12	2.00	4.02	2.03	3.91	2.07
		-5	-7	4.69	1.88	4.58	1.92	4.47	1.96	4.35	2.00	4.24	2.04
		0	-2	4.81	1.70	4.70	1.73	4.58	1.77	4.47	1.80	4.35	1.84
		5	3	5.60	1.77	5.47	1.81	5.34	1.84	5.20	1.88	5.07	1.92
		7	6	6.09	1.82	5.95	1.86	5.80	1.90	5.66	1.94	5.51	1.98
		10	8	6.36	1.86	6.21	1.90	6.06	1.94	5.91	1.98	5.76	2.02
		15	10	6.39	1.88	6.24	1.92	6.09	1.96	5.94	2.00	5.79	2.04
		20	15	6.33	1.64	6.18	1.68	6.03	1.71	5.88	1.74	5.73	1.78

TC : Total Capacity (kW)
IP : Input Power (kW)

Note: 3 or more indoor units should be connected.

● Indoor unit : 18000Btu

			Indoor temperature										
			16°CDB		18°CDB		20°CDB		22°CDB		24°CDB		
18	Outdoor temperature	(°CDB)	(°CWB)	TC	IP	TC	IP	TC	IP	TC	IP	TC	IP
		-10	-11	5.29	2.48	5.17	2.53	5.04	2.58	4.91	2.63	4.79	2.69
		-5	-7	5.74	2.43	5.60	2.48	5.47	2.53	5.33	2.58	5.19	2.64
		0	-2	5.89	2.20	5.75	2.24	5.61	2.29	5.47	2.33	5.33	2.38
		5	3	6.86	2.29	6.70	2.34	6.53	2.39	6.37	2.43	6.21	2.48
		7	6	7.46	2.36	7.28	2.41	7.10	2.46	6.92	2.51	6.75	2.56
		10	8	7.79	2.41	7.60	2.46	7.42	2.51	7.23	2.56	7.05	2.61
		15	10	7.83	2.43	7.64	2.48	7.46	2.53	7.27	2.58	7.08	2.64
20	15	7.75	2.13	7.57	2.17	7.38	2.21	7.20	2.30	7.01	2.30		

● Indoor unit : 24000Btu

			Indoor temperature										
			16°CDB		18°CDB		20°CDB		22°CDB		24°CDB		
24	Outdoor temperature	(°CDB)	(°CWB)	TC	IP	TC	IP	TC	IP	TC	IP	TC	IP
		-10	-11	6.80	3.36	6.64	3.43	6.48	3.50	6.32	3.57	6.16	3.58
		-5	-7	7.37	3.29	7.20	3.36	7.02	3.43	6.84	3.50	6.67	3.57
		0	-2	7.56	2.97	7.38	3.03	7.20	3.10	7.02	3.16	6.84	3.22
		5	3	8.79	3.10	8.58	3.17	8.37	3.23	8.16	3.29	7.95	3.36
		7	6	9.45	3.20	9.23	3.26	9.00	3.33	8.78	3.40	8.55	3.46
		10	8	9.83	3.26	9.59	3.33	9.36	3.40	9.13	3.46	8.89	3.53
		15	10	9.83	3.20	9.59	3.26	9.36	3.33	9.13	3.34	8.89	3.34
20	15	8.51	2.21	8.30	2.30	8.10	2.30	7.90	2.30	7.70	2.30		

● Indoor unit : 7000Btu + 7000Btu

			Indoor temperature										
			16°CDB		18°CDB		20°CDB		22°CDB		24°CDB		
7+7	Outdoor temperature	(°CDB)	(°CWB)	TC	IP	TC	IP	TC	IP	TC	IP	TC	IP
		-10	-11	4.40	1.81	4.29	1.85	4.19	1.89	4.08	1.93	3.98	1.97
		-5	-7	4.77	1.78	4.66	1.82	4.54	1.85	4.43	1.89	4.32	1.93
		0	-2	4.89	1.61	4.78	1.64	4.66	1.67	4.54	1.71	4.43	1.74
		5	3	5.70	1.68	5.56	1.71	5.43	1.75	5.29	1.78	5.16	1.82
		7	6	6.20	1.73	6.05	1.76	5.90	1.80	5.75	1.84	5.61	1.87
		10	8	6.47	1.76	6.32	1.80	6.17	1.84	6.01	1.87	5.86	1.91
		15	10	6.50	1.78	6.35	1.82	6.20	1.85	6.04	1.89	5.89	1.93
20	15	6.44	1.56	6.29	1.59	6.14	1.62	5.98	1.65	5.83	1.68		

● Indoor unit : 7000Btu + 9000Btu

			Indoor temperature										
			16°CDB		18°CDB		20°CDB		22°CDB		24°CDB		
7+9	Outdoor temperature	(°CDB)	(°CWB)	TC	IP	TC	IP	TC	IP	TC	IP	TC	IP
		-10	-11	5.37	2.52	5.24	2.57	5.11	2.63	4.98	2.68	4.86	2.73
		-5	-7	5.82	2.47	5.68	2.52	5.54	2.58	5.41	2.63	5.27	2.68
		0	-2	5.97	2.23	5.83	2.28	5.69	2.33	5.55	2.37	5.40	2.42
		5	3	6.96	2.33	6.79	2.38	6.62	2.43	6.46	2.47	6.29	2.52
		7	6	7.56	2.40	7.38	2.45	7.20	2.50	7.02	2.55	6.84	2.60
		10	8	7.90	2.45	7.71	2.50	7.52	2.55	7.34	2.60	7.15	2.65
		15	10	7.94	2.47	7.75	2.52	7.56	2.58	7.37	2.63	7.18	2.68
20	15	7.86	2.21	7.68	2.30	7.49	2.30	7.30	2.30	7.11	2.30		

TC : Total Capacity (kW)
IP : Input Power (kW)

OUTDOOR UNIT
AO*G30L4

OUTDOOR UNIT
AO*G30L4

Note: 3 or more indoor units should be connected.

● Indoor unit : 7000Btu + 12000Btu

			Indoor temperature										
			16°CDB		18°CDB		20°CDB		22°CDB		24°CDB		
7+12	Outdoor temperature	(°CDB)	(°CWB)	TC	IP	TC	IP	TC	IP	TC	IP	TC	IP
		-10	-11	5.44	2.47	5.31	2.52	5.18	2.57	5.05	2.62	4.92	2.68
		-5	-7	5.90	2.42	5.76	2.47	5.62	2.52	5.48	2.57	5.34	2.62
		0	-2	6.05	2.19	5.90	2.23	5.76	2.28	5.62	2.32	5.47	2.37
		5	3	7.03	2.28	6.86	2.33	6.70	2.38	6.53	2.42	6.36	2.47
		7	6	7.56	2.35	7.38	2.40	7.20	2.45	7.02	2.50	6.84	2.55
		10	8	7.86	2.40	7.68	2.45	7.49	2.50	7.30	2.55	7.11	2.60
		15	10	7.86	2.35	7.68	2.40	7.49	2.45	7.30	2.50	7.11	2.55
20	15	6.80	1.88	6.64	1.92	6.48	1.96	6.32	2.00	6.16	2.04		

● Indoor unit : 7000Btu + 14000Btu

			Indoor temperature										
			16°CDB		18°CDB		20°CDB		22°CDB		24°CDB		
7+14	Outdoor temperature	(°CDB)	(°CWB)	TC	IP	TC	IP	TC	IP	TC	IP	TC	IP
		-10	-11	6.58	2.90	6.42	2.96	6.26	3.02	6.11	3.08	5.95	3.14
		-5	-7	7.13	2.85	6.96	2.91	6.79	2.97	6.62	3.03	6.45	3.09
		0	-2	7.31	2.57	7.13	2.62	6.96	2.68	6.79	2.73	6.61	2.79
		5	3	8.50	2.68	8.29	2.74	8.09	2.79	7.89	2.85	7.69	2.91
		7	6	9.14	2.76	8.92	2.82	8.70	2.88	8.48	2.94	8.27	3.00
		10	8	9.50	2.82	9.27	2.88	9.05	2.94	8.82	3.00	8.60	3.06
		15	10	9.50	2.76	9.27	2.82	9.05	2.88	8.82	2.94	8.60	3.00
20	15	8.22	2.21	8.03	2.30	7.83	2.30	7.63	2.30	7.44	2.30		

● Indoor unit : 7000Btu + 18000Btu

			Indoor temperature										
			16°CDB		18°CDB		20°CDB		22°CDB		24°CDB		
7+18	Outdoor temperature	(°CDB)	(°CWB)	TC	IP	TC	IP	TC	IP	TC	IP	TC	IP
		-10	-11	6.71	2.76	6.55	2.82	6.39	2.88	6.23	2.94	6.07	3.00
		-5	-7	7.40	2.85	7.23	2.91	7.05	2.97	6.87	3.03	6.70	3.09
		0	-2	8.29	2.79	8.09	2.85	7.90	2.91	7.70	2.97	7.50	3.03
		5	3	9.18	2.88	8.96	2.94	8.74	3.00	8.52	3.06	8.30	3.12
		7	6	9.87	2.88	9.64	2.94	9.40	3.00	9.17	3.06	8.93	3.12
		10	8	10.26	2.88	10.02	2.94	9.78	3.00	9.53	3.06	9.29	3.12
		15	10	10.26	2.68	10.02	2.73	9.78	2.79	9.53	2.85	9.29	2.90
20	15	8.88	1.87	8.67	1.91	8.46	1.95	8.25	1.99	8.04	2.03		

● Indoor unit : 7000Btu + 24000Btu

			Indoor temperature										
			16°CDB		18°CDB		20°CDB		22°CDB		24°CDB		
7+24	Outdoor temperature	(°CDB)	(°CWB)	TC	IP	TC	IP	TC	IP	TC	IP	TC	IP
		-10	-11	7.53	3.19	7.35	3.26	7.17	3.33	6.99	3.39	6.81	3.46
		-5	-7	8.31	3.29	8.12	3.36	7.92	3.43	7.72	3.50	7.52	3.57
		0	-2	9.44	3.36	9.21	3.43	8.99	3.50	8.76	3.57	8.54	3.58
		5	3	10.45	3.36	10.20	3.43	9.95	3.50	9.70	3.58	9.45	3.58
		7	6	11.24	3.36	10.97	3.43	10.70	3.50	10.43	3.58	10.17	3.58
		10	8	11.68	3.36	11.41	3.43	11.13	3.50	10.85	3.58	10.57	3.58
		15	10	11.63	3.12	11.35	3.19	11.07	3.26	10.80	3.32	10.52	3.34
20	15	9.89	2.21	9.65	2.30	9.42	2.30	9.18	2.30	8.95	2.30		

TC : Total Capacity (kW)
IP : Input Power (kW)

OUTDOOR UNIT
AO*G30L4

OUTDOOR UNIT
AO*G30L4

Note: 3 or more indoor units should be connected.

● Indoor unit : 9000Btu + 9000Btu

			Indoor temperature										
			16°CDB		18°CDB		20°CDB		22°CDB		24°CDB		
9+9	Outdoor temperature	(°CDB)	(°CWB)	TC	IP	TC	IP	TC	IP	TC	IP	TC	IP
		-10	-11	5.52	2.52	5.39	2.57	5.25	2.63	5.12	2.68	4.99	2.73
		-5	-7	5.98	2.47	5.84	2.52	5.70	2.58	5.56	2.63	5.41	2.68
		0	-2	6.14	2.23	5.99	2.28	5.85	2.33	5.70	2.37	5.55	2.42
		5	3	7.15	2.33	6.98	2.38	6.81	2.43	6.64	2.47	6.47	2.52
		7	6	7.77	2.40	7.59	2.45	7.40	2.50	7.22	2.55	7.03	2.60
		10	8	8.12	2.45	7.93	2.50	7.73	2.55	7.54	2.60	7.35	2.65
		15	10	8.16	2.47	7.96	2.52	7.77	2.58	7.58	2.63	7.38	2.68
20	15	8.08	2.21	7.89	2.30	7.70	2.30	7.50	2.30	7.31	2.30		

● Indoor unit : 9000Btu + 12000Btu

			Indoor temperature										
			16°CDB		18°CDB		20°CDB		22°CDB		24°CDB		
9+12	Outdoor temperature	(°CDB)	(°CWB)	TC	IP	TC	IP	TC	IP	TC	IP	TC	IP
		-10	-11	6.27	3.10	6.13	3.17	5.98	3.23	5.83	3.30	5.68	3.36
		-5	-7	6.80	3.05	6.64	3.11	6.47	3.17	6.31	3.24	6.15	3.30
		0	-2	6.97	2.75	6.81	2.81	6.64	2.86	6.47	2.92	6.31	2.98
		5	3	8.10	2.87	7.91	2.93	7.72	2.99	7.53	3.05	7.33	3.11
		7	6	8.72	2.96	8.51	3.02	8.30	3.08	8.09	3.14	7.89	3.20
		10	8	9.06	3.02	8.85	3.08	8.63	3.14	8.42	3.20	8.20	3.27
		15	10	9.06	2.96	8.85	3.02	8.63	3.08	8.42	3.14	8.20	3.20
20	15	7.84	2.21	7.66	2.30	7.47	2.30	7.28	2.30	7.10	2.30		

● Indoor unit : 9000Btu + 14000Btu

			Indoor temperature										
			16°CDB		18°CDB		20°CDB		22°CDB		24°CDB		
9+14	Outdoor temperature	(°CDB)	(°CWB)	TC	IP	TC	IP	TC	IP	TC	IP	TC	IP
		-10	-11	7.03	3.33	6.86	3.40	6.70	3.47	6.53	3.53	6.36	3.58
		-5	-7	7.62	3.26	7.44	3.33	7.25	3.40	7.07	3.47	6.89	3.53
		0	-2	7.81	2.95	7.63	3.01	7.44	3.07	7.25	3.13	7.07	3.19
		5	3	9.08	3.07	8.87	3.14	8.65	3.20	8.43	3.27	8.22	3.33
		7	6	9.77	3.17	9.53	3.23	9.30	3.30	9.07	3.37	8.84	3.43
		10	8	10.16	3.23	9.91	3.30	9.67	3.37	9.43	3.43	9.19	3.50
		15	10	10.16	3.17	9.91	3.23	9.67	3.30	9.43	3.34	9.19	3.34
20	15	8.79	2.21	8.58	2.30	8.37	2.30	8.16	2.30	7.95	2.30		

● Indoor unit : 9000Btu + 18000Btu

			Indoor temperature										
			16°CDB		18°CDB		20°CDB		22°CDB		24°CDB		
9+18	Outdoor temperature	(°CDB)	(°CWB)	TC	IP	TC	IP	TC	IP	TC	IP	TC	IP
		-10	-11	7.21	3.13	7.04	3.20	6.87	3.26	6.70	3.33	6.52	3.39
		-5	-7	7.95	3.23	7.76	3.30	7.58	3.37	7.39	3.43	7.20	3.50
		0	-2	8.91	3.17	8.70	3.23	8.48	3.30	8.27	3.36	8.06	3.43
		5	3	9.86	3.26	9.63	3.33	9.39	3.40	9.16	3.47	8.92	3.54
		7	6	10.61	3.26	10.35	3.33	10.10	3.40	9.85	3.47	9.60	3.54
		10	8	11.03	3.26	10.77	3.33	10.50	3.40	10.24	3.47	9.98	3.54
		15	10	11.03	3.04	10.77	3.10	10.50	3.16	10.24	3.23	9.98	3.29
20	15	9.54	2.12	9.32	2.17	9.09	2.21	8.86	2.30	8.64	2.30		

TC : Total Capacity (kW)
IP : Input Power (kW)

Note: 3 or more indoor units should be connected.

● Indoor unit : 9000Btu + 24000Btu

			Indoor temperature										
			16°CDB		18°CDB		20°CDB		22°CDB		24°CDB		
9+24	Outdoor temperature	(°CDB)	(°CWB)	TC	IP	TC	IP	TC	IP	TC	IP	TC	IP
		-10	-11	7.74	3.19	7.55	3.26	7.37	3.33	7.19	3.39	7.00	3.46
		-5	-7	8.55	3.29	8.34	3.36	8.14	3.43	7.94	3.50	7.73	3.57
		0	-2	9.70	3.36	9.47	3.43	9.24	3.50	9.01	3.57	8.78	3.58
		5	3	10.74	3.36	10.49	3.43	10.23	3.50	9.97	3.58	9.72	3.58
		7	6	11.55	3.36	11.28	3.43	11.00	3.50	10.73	3.58	10.45	3.58
		10	8	12.01	3.36	11.73	3.43	11.44	3.50	11.15	3.58	10.87	3.58
		15	10	11.95	3.12	11.67	3.19	11.39	3.26	11.10	3.32	10.82	3.34
20	15	10.16	2.21	9.92	2.30	9.68	2.30	9.44	2.30	9.20	2.30		

● Indoor unit : 12000Btu + 12000Btu

			Indoor temperature										
			16°CDB		18°CDB		20°CDB		22°CDB		24°CDB		
12+12	Outdoor temperature	(°CDB)	(°CWB)	TC	IP	TC	IP	TC	IP	TC	IP	TC	IP
		-10	-11	6.65	3.33	6.49	3.40	6.34	3.47	6.18	3.53	6.02	3.58
		-5	-7	7.21	3.26	7.04	3.33	6.86	3.40	6.69	3.47	6.52	3.53
		0	-2	7.39	2.95	7.22	3.01	7.04	3.07	6.86	3.13	6.69	3.19
		5	3	8.59	3.07	8.39	3.14	8.18	3.20	7.98	3.27	7.77	3.33
		7	6	9.24	3.17	9.02	3.23	8.80	3.30	8.58	3.37	8.36	3.43
		10	8	9.61	3.23	9.38	3.30	9.15	3.37	8.92	3.43	8.69	3.50
		15	10	9.61	3.17	9.38	3.23	9.15	3.30	8.92	3.34	8.69	3.34
20	15	8.32	2.21	8.12	2.30	7.92	2.30	7.72	2.30	7.52	2.30		

● Indoor unit : 12000Btu + 14000Btu

			Indoor temperature										
			16°CDB		18°CDB		20°CDB		22°CDB		24°CDB		
12+14	Outdoor temperature	(°CDB)	(°CWB)	TC	IP	TC	IP	TC	IP	TC	IP	TC	IP
		-10	-11	7.00	3.23	6.83	3.29	6.66	3.36	6.50	3.43	6.33	3.49
		-5	-7	7.72	3.33	7.53	3.40	7.35	3.47	7.17	3.53	6.98	3.58
		0	-2	8.64	3.26	8.44	3.33	8.23	3.40	8.03	3.46	7.82	3.53
		5	3	9.57	3.36	9.34	3.43	9.11	3.50	8.89	3.58	8.66	3.58
		7	6	10.29	3.36	10.05	3.43	9.80	3.50	9.56	3.58	9.31	3.58
		10	8	10.70	3.36	10.45	3.43	10.19	3.50	9.94	3.58	9.68	3.58
		15	10	10.70	3.12	10.45	3.19	10.19	3.26	9.94	3.32	9.68	3.34
20	15	9.26	2.21	9.04	2.30	8.82	2.30	8.60	2.30	8.38	2.30		

● Indoor unit : 12000Btu + 18000Btu

			Indoor temperature										
			16°CDB		18°CDB		20°CDB		22°CDB		24°CDB		
12+18	Outdoor temperature	(°CDB)	(°CWB)	TC	IP	TC	IP	TC	IP	TC	IP	TC	IP
		-10	-11	7.35	3.23	7.18	3.29	7.00	3.36	6.83	3.43	6.65	3.49
		-5	-7	8.11	3.33	7.92	3.40	7.73	3.47	7.53	3.53	7.34	3.58
		0	-2	9.08	3.26	8.87	3.33	8.65	3.40	8.44	3.46	8.22	3.53
		5	3	10.06	3.36	9.82	3.43	9.58	3.50	9.34	3.58	9.10	3.58
		7	6	10.82	3.36	10.56	3.43	10.30	3.50	10.04	3.58	9.79	3.58
		10	8	11.25	3.36	10.98	3.43	10.71	3.50	10.44	3.58	10.18	3.58
		15	10	11.25	3.12	10.98	3.19	10.71	3.26	10.44	3.32	10.18	3.34
20	15	9.73	2.21	9.50	2.30	9.27	2.30	9.04	2.30	8.81	2.30		

TC : Total Capacity (kW)
IP : Input Power (kW)

OUTDOOR UNIT
AO*G30L4

OUTDOOR UNIT
AO*G30L4

Note: 3 or more indoor units should be connected.

● Indoor unit : 12000Btu + 24000Btu

			Indoor temperature										
			16°CDB		18°CDB		20°CDB		22°CDB		24°CDB		
12+24	Outdoor temperature	(°CDB)	(°CWB)	TC	IP	TC	IP	TC	IP	TC	IP	TC	IP
		-10	-11	7.74	3.19	7.55	3.26	7.37	3.33	7.19	3.39	7.00	3.46
		-5	-7	8.55	3.29	8.34	3.36	8.14	3.43	7.94	3.50	7.73	3.57
		0	-2	9.70	3.36	9.47	3.43	9.24	3.50	9.01	3.57	8.78	3.58
		5	3	10.74	3.36	10.49	3.43	10.23	3.50	9.97	3.58	9.72	3.58
		7	6	11.55	3.36	11.28	3.43	11.00	3.50	10.73	3.58	10.45	3.58
		10	8	12.01	3.36	11.73	3.43	11.44	3.50	11.15	3.58	10.87	3.58
		15	10	11.95	3.12	11.67	3.19	11.39	3.26	11.10	3.32	10.82	3.34
20	15	10.16	2.21	9.92	2.30	9.68	2.30	9.44	2.30	9.20	2.30		

● Indoor unit : 14000Btu + 14000Btu

			Indoor temperature										
			16°CDB		18°CDB		20°CDB		22°CDB		24°CDB		
14+14	Outdoor temperature	(°CDB)	(°CWB)	TC	IP	TC	IP	TC	IP	TC	IP	TC	IP
		-10	-11	7.35	3.23	7.18	3.29	7.00	3.36	6.83	3.43	6.65	3.49
		-5	-7	8.11	3.33	7.92	3.40	7.73	3.47	7.53	3.53	7.34	3.58
		0	-2	9.08	3.26	8.87	3.33	8.65	3.40	8.44	3.46	8.22	3.53
		5	3	10.06	3.36	9.82	3.43	9.58	3.50	9.34	3.58	9.10	3.58
		7	6	10.82	3.36	10.56	3.43	10.30	3.50	10.04	3.58	9.79	3.58
		10	8	11.25	3.36	10.98	3.43	10.71	3.50	10.44	3.58	10.18	3.58
		15	10	11.25	3.12	10.98	3.19	10.71	3.26	10.44	3.32	10.18	3.34
20	15	9.73	2.21	9.50	2.30	9.27	2.30	9.04	2.30	8.81	2.30		

● Indoor unit : 14000Btu + 18000Btu

			Indoor temperature										
			16°CDB		18°CDB		20°CDB		22°CDB		24°CDB		
14+18	Outdoor temperature	(°CDB)	(°CWB)	TC	IP	TC	IP	TC	IP	TC	IP	TC	IP
		-10	-11	7.81	3.19	7.62	3.26	7.44	3.33	7.25	3.39	7.07	3.46
		-5	-7	8.62	3.29	8.42	3.36	8.21	3.43	8.01	3.50	7.80	3.57
		0	-2	9.79	3.36	9.56	3.43	9.32	3.50	9.09	3.57	8.86	3.58
		5	3	10.84	3.36	10.58	3.43	10.32	3.50	10.06	3.58	9.81	3.58
		7	6	11.66	3.36	11.38	3.43	11.10	3.50	10.82	3.58	10.55	3.58
		10	8	12.12	3.36	11.83	3.43	11.54	3.50	11.26	3.58	10.97	3.58
		15	10	12.06	3.12	11.78	3.19	11.49	3.26	11.20	3.32	10.91	3.34
20	15	10.26	2.21	10.01	2.30	9.77	2.30	9.52	2.30	9.28	2.30		

● Indoor unit : 14000Btu + 24000Btu

			Indoor temperature										
			16°CDB		18°CDB		20°CDB		22°CDB		24°CDB		
14+24	Outdoor temperature	(°CDB)	(°CWB)	TC	IP	TC	IP	TC	IP	TC	IP	TC	IP
		-10	-11	7.73	3.06	7.54	3.12	7.36	3.19	7.18	3.25	6.99	3.31
		-5	-7	8.69	3.19	8.49	3.26	8.28	3.33	8.07	3.39	7.87	3.46
		0	-2	10.02	3.36	9.78	3.43	9.55	3.50	9.31	3.57	9.07	3.58
		5	3	11.29	3.36	11.02	3.43	10.75	3.50	10.48	3.58	10.21	3.58
		7	6	12.08	3.36	11.79	3.43	11.50	3.50	11.21	3.58	10.93	3.58
		10	8	12.56	3.36	12.26	3.43	11.96	3.50	11.66	3.58	11.36	3.58
		15	10	12.50	3.12	12.20	3.19	11.90	3.26	11.60	3.32	11.31	3.34
20	15	10.63	2.21	10.37	2.30	10.12	2.30	9.87	2.30	9.61	2.30		

TC : Total Capacity (kW)
IP : Input Power (kW)

OUTDOOR UNIT
AO*G30L4

OUTDOOR UNIT
AO*G30L4

Note: 3 or more indoor units should be connected.

● Indoor unit : 18000Btu + 18000Btu

			Indoor temperature										
			16°CDB		18°CDB		20°CDB		22°CDB		24°CDB		
18+18	Outdoor temperature	(°CDB)	(°CWB)	TC	IP	TC	IP	TC	IP	TC	IP	TC	IP
		-10	-11	8.09	3.19	7.90	3.26	7.71	3.33	7.51	3.39	7.32	3.46
		-5	-7	8.94	3.29	8.72	3.36	8.51	3.43	8.30	3.50	8.08	3.57
		0	-2	10.14	3.36	9.90	3.43	9.66	3.50	9.42	3.57	9.18	3.58
		5	3	11.23	3.36	10.96	3.43	10.70	3.50	10.43	3.58	10.16	3.58
		7	6	12.08	3.36	11.79	3.43	11.50	3.50	11.21	3.58	10.93	3.58
		10	8	12.56	3.36	12.26	3.43	11.96	3.50	11.66	3.58	11.36	3.58
		15	10	12.50	3.12	12.20	3.19	11.90	3.26	11.60	3.32	11.31	3.34
20	15	10.63	2.21	10.37	2.30	10.12	2.30	9.87	2.30	9.61	2.30		

● Indoor unit : 18000Btu + 24000Btu

			Indoor temperature										
			16°CDB		18°CDB		20°CDB		22°CDB		24°CDB		
18+24	Outdoor temperature	(°CDB)	(°CWB)	TC	IP	TC	IP	TC	IP	TC	IP	TC	IP
		-10	-11	7.80	3.06	7.61	3.12	7.42	3.19	7.24	3.25	7.05	3.31
		-5	-7	8.77	3.19	8.56	3.26	8.35	3.33	8.14	3.39	7.93	3.46
		0	-2	10.11	3.36	9.87	3.43	9.63	3.50	9.39	3.57	9.15	3.58
		5	3	11.39	3.36	11.12	3.43	10.85	3.50	10.57	3.58	10.30	3.58
		7	6	12.18	3.36	11.89	3.43	11.60	3.50	11.31	3.58	11.02	3.58
		10	8	12.67	3.36	12.37	3.43	12.06	3.50	11.76	3.58	11.46	3.58
		15	10	12.61	3.12	12.31	3.19	12.01	3.26	11.71	3.32	11.41	3.34
20	15	10.72	2.21	10.46	2.30	10.21	2.30	9.95	2.30	9.70	2.30		

TC : Total Capacity (kW)
IP : Input Power (kW)

OUTDOOR UNIT
AO*G30L4

OUTDOOR UNIT
AO*G30L4

Note: The total capacity of connected a indoor unit is up to 49000Btu from 27000Btu.

● Indoor unit : 7000Btu + 7000Btu + 7000Btu

			Indoor temperature										
			16°CDB		18°CDB		20°CDB		22°CDB		24°CDB		
7+7+7	Outdoor temperature	(°CDB)	(°CWB)	TC	IP	TC	IP	TC	IP	TC	IP	TC	IP
		-10	-11	6.65	2.67	6.49	2.73	6.34	2.78	6.18	2.84	6.02	2.89
		-5	-7	7.21	2.62	7.04	2.67	6.86	2.73	6.69	2.78	6.52	2.84
		0	-2	7.39	2.37	7.22	2.42	7.04	2.46	6.86	2.51	6.69	2.56
		5	3	8.59	2.47	8.39	2.52	8.18	2.57	7.98	2.62	7.77	2.67
		7	6	9.24	2.54	9.02	2.60	8.80	2.65	8.58	2.70	8.36	2.76
		10	8	9.61	2.59	9.38	2.65	9.15	2.70	8.92	2.76	8.69	2.81
		15	10	9.61	2.54	9.38	2.60	9.15	2.65	8.92	2.70	8.69	2.76
20	15	8.32	2.04	8.12	2.08	7.92	2.12	7.72	2.16	7.52	2.20		

● Indoor unit : 7000Btu + 7000Btu + 9000Btu

			Indoor temperature										
			16°CDB		18°CDB		20°CDB		22°CDB		24°CDB		
7+7+9	Outdoor temperature	(°CDB)	(°CWB)	TC	IP	TC	IP	TC	IP	TC	IP	TC	IP
		-10	-11	7.03	2.87	6.86	2.93	6.70	2.99	6.53	3.05	6.36	3.11
		-5	-7	7.62	2.82	7.44	2.88	7.25	2.94	7.07	2.99	6.89	3.05
		0	-2	7.81	2.54	7.63	2.60	7.44	2.65	7.25	2.70	7.07	2.76
		5	3	9.08	2.65	8.87	2.71	8.65	2.76	8.43	2.82	8.22	2.88
		7	6	9.77	2.74	9.53	2.79	9.30	2.85	9.07	2.91	8.84	2.96
		10	8	10.16	2.79	9.91	2.85	9.67	2.91	9.43	2.97	9.19	3.02
		15	10	10.16	2.74	9.91	2.79	9.67	2.85	9.43	2.91	9.19	2.96
20	15	8.79	2.21	8.58	2.30	8.37	2.30	8.16	2.30	7.95	2.30		

● Indoor unit : 7000Btu + 7000Btu + 12000Btu

			Indoor temperature										
			16°CDB		18°CDB		20°CDB		22°CDB		24°CDB		
7+7+12	Outdoor temperature	(°CDB)	(°CWB)	TC	IP	TC	IP	TC	IP	TC	IP	TC	IP
		-10	-11	6.93	2.86	6.76	2.92	6.60	2.98	6.43	3.04	6.27	3.10
		-5	-7	7.64	2.95	7.46	3.01	7.28	3.07	7.09	3.13	6.91	3.19
		0	-2	8.56	2.89	8.35	2.95	8.15	3.01	7.94	3.07	7.74	3.13
		5	3	9.47	2.98	9.25	3.04	9.02	3.10	8.80	3.16	8.57	3.22
		7	6	10.19	2.98	9.94	3.04	9.70	3.10	9.46	3.16	9.22	3.22
		10	8	10.59	2.98	10.34	3.04	10.09	3.10	9.84	3.16	9.58	3.22
		15	10	10.59	2.77	10.34	2.83	10.09	2.88	9.84	2.94	9.58	3.00
20	15	9.17	1.93	8.95	1.97	8.73	2.02	8.51	2.06	8.29	2.10		

● Indoor unit : 7000Btu + 7000Btu + 14000Btu

			Indoor temperature										
			16°CDB		18°CDB		20°CDB		22°CDB		24°CDB		
7+7+14	Outdoor temperature	(°CDB)	(°CWB)	TC	IP	TC	IP	TC	IP	TC	IP	TC	IP
		-10	-11	7.21	3.25	7.04	3.32	6.87	3.39	6.70	3.46	6.52	3.52
		-5	-7	7.95	3.35	7.76	3.42	7.58	3.49	7.39	3.56	7.20	3.58
		0	-2	8.91	3.29	8.70	3.36	8.48	3.42	8.27	3.49	8.06	3.56
		5	3	9.86	3.39	9.63	3.46	9.39	3.53	9.16	3.58	8.92	3.58
		7	6	10.61	3.39	10.35	3.46	10.10	3.53	9.85	3.58	9.60	3.58
		10	8	11.03	3.39	10.77	3.46	10.50	3.53	10.24	3.58	9.98	3.58
		15	10	11.03	3.15	10.77	3.22	10.50	3.28	10.24	3.34	9.98	3.34
20	15	9.54	2.21	9.32	2.30	9.09	2.30	8.86	2.30	8.64	2.30		

TC : Total Capacity (kW)
IP : Input Power (kW)

OUTDOOR UNIT
AO*G30L4

OUTDOOR UNIT
AO*G30L4

Note: The total capacity of connected a indoor unit is up to 49000Btu from 27000Btu.

● Indoor unit : 7000Btu + 7000Btu + 18000Btu

			Indoor temperature										
			16°CDB		18°CDB		20°CDB		22°CDB		24°CDB		
7+7+18	Outdoor temperature	(°CDB)	(°CWB)	TC	IP	TC	IP	TC	IP	TC	IP	TC	IP
		-10	-11	7.88	3.21	7.69	3.28	7.50	3.34	7.32	3.41	7.13	3.48
		-5	-7	8.70	3.31	8.50	3.38	8.29	3.45	8.08	3.52	7.87	3.58
		0	-2	9.88	3.38	9.64	3.45	9.41	3.52	9.17	3.58	8.94	3.58
		5	3	10.94	3.38	10.68	3.45	10.42	3.52	10.16	3.58	9.90	3.58
		7	6	11.76	3.38	11.48	3.45	11.20	3.52	10.92	3.58	10.64	3.58
		10	8	12.23	3.38	11.94	3.45	11.65	3.52	11.36	3.58	11.07	3.58
		15	10	12.17	3.14	11.88	3.21	11.59	3.27	11.30	3.34	11.01	3.34
20	15	10.35	2.21	10.10	2.30	9.86	2.30	9.61	2.30	9.36	2.30		

● Indoor unit : 7000Btu + 7000Btu + 24000Btu

			Indoor temperature										
			16°CDB		18°CDB		20°CDB		22°CDB		24°CDB		
7+7+24	Outdoor temperature	(°CDB)	(°CWB)	TC	IP	TC	IP	TC	IP	TC	IP	TC	IP
		-10	-11	7.73	3.08	7.54	3.14	7.36	3.20	7.18	3.27	6.99	3.33
		-5	-7	8.69	3.21	8.49	3.28	8.28	3.34	8.07	3.41	7.87	3.48
		0	-2	10.02	3.38	9.78	3.45	9.55	3.52	9.31	3.58	9.07	3.58
		5	3	11.29	3.38	11.02	3.45	10.75	3.52	10.48	3.58	10.21	3.58
		7	6	12.08	3.38	11.79	3.45	11.50	3.52	11.21	3.58	10.93	3.58
		10	8	12.56	3.38	12.26	3.45	11.96	3.52	11.66	3.58	11.36	3.58
		15	10	12.50	3.14	12.20	3.21	11.90	3.27	11.60	3.34	11.31	3.34
20	15	10.63	2.21	10.37	2.30	10.12	2.30	9.87	2.30	9.61	2.30		

● Indoor unit : 7000Btu + 9000Btu + 9000Btu

			Indoor temperature										
			16°CDB		18°CDB		20°CDB		22°CDB		24°CDB		
7+9+9	Outdoor temperature	(°CDB)	(°CWB)	TC	IP	TC	IP	TC	IP	TC	IP	TC	IP
		-10	-11	6.93	2.86	6.76	2.92	6.60	2.98	6.43	3.04	6.27	3.10
		-5	-7	7.64	2.95	7.46	3.01	7.28	3.07	7.09	3.13	6.91	3.19
		0	-2	8.56	2.89	8.35	2.95	8.15	3.01	7.94	3.07	7.74	3.13
		5	3	9.47	2.98	9.25	3.04	9.02	3.10	8.80	3.16	8.57	3.22
		7	6	10.19	2.98	9.94	3.04	9.70	3.10	9.46	3.16	9.22	3.22
		10	8	10.59	2.98	10.34	3.04	10.09	3.10	9.84	3.16	9.58	3.22
		15	10	10.59	2.77	10.34	2.83	10.09	2.88	9.84	2.94	9.58	3.00
20	15	9.17	1.93	8.95	1.97	8.73	2.02	8.51	2.06	8.29	2.10		

● Indoor unit : 7000Btu + 9000Btu + 12000Btu

			Indoor temperature										
			16°CDB		18°CDB		20°CDB		22°CDB		24°CDB		
7+9+12	Outdoor temperature	(°CDB)	(°CWB)	TC	IP	TC	IP	TC	IP	TC	IP	TC	IP
		-10	-11	7.14	3.23	6.97	3.30	6.80	3.37	6.63	3.44	6.46	3.50
		-5	-7	7.88	3.34	7.69	3.41	7.50	3.47	7.31	3.54	7.13	3.58
		0	-2	8.82	3.27	8.61	3.34	8.40	3.40	8.19	3.47	7.98	3.54
		5	3	9.77	3.37	9.53	3.44	9.30	3.51	9.07	3.58	8.84	3.58
		7	6	10.50	3.37	10.25	3.44	10.00	3.51	9.75	3.58	9.50	3.58
		10	8	10.92	3.37	10.66	3.44	10.40	3.51	10.14	3.58	9.88	3.58
		15	10	10.92	3.13	10.66	3.20	10.40	3.26	10.14	3.33	9.88	3.34
20	15	9.45	2.21	9.23	2.30	9.00	2.30	8.78	2.30	8.55	2.30		

TC : Total Capacity (kW)
IP : Input Power (kW)

OUTDOOR UNIT
AO*G30L4

OUTDOOR UNIT
AO*G30L4

● Indoor unit : 7000Btu + 9000Btu + 14000Btu

			Indoor temperature										
			16°CDB		18°CDB		20°CDB		22°CDB		24°CDB		
7+9+14	Outdoor temperature	(°CDB)	(°CWB)	TC	IP	TC	IP	TC	IP	TC	IP	TC	IP
		-10	-11	7.28	3.23	7.11	3.29	6.94	3.36	6.76	3.43	6.59	3.49
		-5	-7	8.03	3.33	7.84	3.40	7.65	3.47	7.46	3.53	7.27	3.58
		0	-2	9.00	3.26	8.78	3.33	8.57	3.40	8.35	3.46	8.14	3.53
		5	3	9.96	3.36	9.72	3.43	9.49	3.50	9.25	3.58	9.01	3.58
		7	6	10.71	3.36	10.46	3.43	10.20	3.50	9.95	3.58	9.69	3.58
		10	8	11.14	3.36	10.87	3.43	10.61	3.50	10.34	3.58	10.08	3.58
		15	10	11.14	3.12	10.87	3.19	10.61	3.26	10.34	3.32	10.08	3.34
20	15	9.64	2.21	9.41	2.30	9.18	2.30	8.95	2.30	8.72	2.30		

● Indoor unit : 7000Btu + 9000Btu + 18000Btu

			Indoor temperature										
			16°CDB		18°CDB		20°CDB		22°CDB		24°CDB		
7+9+18	Outdoor temperature	(°CDB)	(°CWB)	TC	IP	TC	IP	TC	IP	TC	IP	TC	IP
		-10	-11	7.95	3.19	7.76	3.26	7.57	3.33	7.38	3.39	7.19	3.46
		-5	-7	8.78	3.29	8.57	3.36	8.36	3.43	8.15	3.50	7.94	3.57
		0	-2	9.97	3.36	9.73	3.43	9.49	3.50	9.25	3.57	9.02	3.58
		5	3	11.03	3.36	10.77	3.43	10.51	3.50	10.25	3.58	9.98	3.58
		7	6	11.87	3.36	11.58	3.43	11.30	3.50	11.02	3.58	10.74	3.58
		10	8	12.34	3.36	12.05	3.43	11.75	3.50	11.46	3.58	11.16	3.58
		15	10	12.28	3.12	11.99	3.19	11.70	3.26	11.40	3.32	11.11	3.34
20	15	10.44	2.21	10.19	2.30	9.94	2.30	9.70	2.30	9.45	2.30		

● Indoor unit : 7000Btu + 9000Btu + 24000Btu

			Indoor temperature										
			16°CDB		18°CDB		20°CDB		22°CDB		24°CDB		
7+9+24	Outdoor temperature	(°CDB)	(°CWB)	TC	IP	TC	IP	TC	IP	TC	IP	TC	IP
		-10	-11	7.73	3.07	7.54	3.13	7.36	3.19	7.18	3.26	6.99	3.32
		-5	-7	8.69	3.20	8.49	3.27	8.28	3.33	8.07	3.40	7.87	3.47
		0	-2	10.02	3.37	9.78	3.44	9.55	3.51	9.31	3.58	9.07	3.58
		5	3	11.29	3.37	11.02	3.44	10.75	3.51	10.48	3.58	10.21	3.58
		7	6	12.08	3.37	11.79	3.44	11.50	3.51	11.21	3.58	10.93	3.58
		10	8	12.56	3.37	12.26	3.44	11.96	3.51	11.66	3.58	11.36	3.58
		15	10	12.50	3.13	12.20	3.20	11.90	3.26	11.60	3.33	11.31	3.34
20	15	10.63	2.21	10.37	2.30	10.12	2.30	9.87	2.30	9.61	2.30		

● Indoor unit : 7000Btu + 12000Btu + 12000Btu

			Indoor temperature										
			16°CDB		18°CDB		20°CDB		22°CDB		24°CDB		
7+12+12	Outdoor temperature	(°CDB)	(°CWB)	TC	IP	TC	IP	TC	IP	TC	IP	TC	IP
		-10	-11	7.11	3.17	6.94	3.24	6.77	3.31	6.60	3.37	6.43	3.44
		-5	-7	7.85	3.27	7.66	3.34	7.47	3.41	7.29	3.48	7.10	3.55
		0	-2	8.91	3.34	8.70	3.41	8.48	3.48	8.27	3.55	8.06	3.58
		5	3	9.86	3.34	9.63	3.41	9.39	3.48	9.16	3.58	8.92	3.58
		7	6	10.61	3.34	10.35	3.41	10.10	3.48	9.85	3.58	9.60	3.58
		10	8	11.03	3.34	10.77	3.41	10.50	3.48	10.24	3.58	9.98	3.58
		15	10	10.98	3.11	10.71	3.17	10.45	3.24	10.19	3.30	9.93	3.34
20	15	9.33	2.21	9.11	2.30	8.89	2.30	8.67	2.30	8.44	2.30		

TC : Total Capacity (kW)
IP : Input Power (kW)

● Indoor unit : 7000Btu + 12000Btu + 14000Btu

			Indoor temperature										
			16°CDB		18°CDB		20°CDB		22°CDB		24°CDB		
7+12+14	Outdoor temperature	(°CDB)	(°CWB)	TC	IP	TC	IP	TC	IP	TC	IP	TC	IP
		-10	-11	7.25	3.17	7.07	3.24	6.90	3.31	6.73	3.37	6.56	3.44
		-5	-7	8.00	3.27	7.81	3.34	7.62	3.41	7.43	3.48	7.24	3.55
		0	-2	9.08	3.34	8.87	3.41	8.65	3.48	8.44	3.55	8.22	3.58
		5	3	10.06	3.34	9.82	3.41	9.58	3.48	9.34	3.58	9.10	3.58
		7	6	10.82	3.34	10.56	3.41	10.30	3.48	10.04	3.58	9.79	3.58
		10	8	11.25	3.34	10.98	3.41	10.71	3.48	10.44	3.58	10.18	3.58
		15	10	11.19	3.11	10.93	3.17	10.66	3.24	10.39	3.30	10.13	3.34
20	15	9.52	2.21	9.29	2.30	9.06	2.30	8.84	2.30	8.61	2.30		

● Indoor unit : 7000Btu + 12000Btu + 18000Btu

			Indoor temperature										
			16°CDB		18°CDB		20°CDB		22°CDB		24°CDB		
7+12+18	Outdoor temperature	(°CDB)	(°CWB)	TC	IP	TC	IP	TC	IP	TC	IP	TC	IP
		-10	-11	7.66	3.03	7.48	3.09	7.30	3.16	7.11	3.22	6.93	3.28
		-5	-7	8.62	3.16	8.41	3.23	8.21	3.30	8.00	3.36	7.80	3.43
		0	-2	9.94	3.33	9.70	3.40	9.46	3.47	9.23	3.54	8.99	3.58
		5	3	11.19	3.33	10.93	3.40	10.66	3.47	10.39	3.54	10.13	3.58
		7	6	11.97	3.33	11.69	3.40	11.40	3.47	11.12	3.54	10.83	3.58
		10	8	12.45	3.33	12.15	3.40	11.86	3.47	11.56	3.54	11.26	3.58
		15	10	12.39	3.10	12.09	3.16	11.80	3.23	11.50	3.29	11.21	3.34
20	15	10.53	2.21	10.28	2.30	10.03	2.30	9.78	2.30	9.53	2.30		

● Indoor unit : 7000Btu + 12000Btu + 24000Btu

			Indoor temperature										
			16°CDB		18°CDB		20°CDB		22°CDB		24°CDB		
7+12+24	Outdoor temperature	(°CDB)	(°CWB)	TC	IP	TC	IP	TC	IP	TC	IP	TC	IP
		-10	-11	7.86	3.11	7.68	3.17	7.49	3.24	7.30	3.30	7.11	3.37
		-5	-7	8.85	3.25	8.63	3.31	8.42	3.38	8.21	3.45	8.00	3.52
		0	-2	10.20	3.42	9.95	3.49	9.71	3.56	9.47	3.58	9.23	3.58
		5	3	11.49	3.44	11.21	3.51	10.94	3.58	10.67	3.58	10.39	3.58
		7	6	12.29	3.44	11.99	3.51	11.70	3.58	11.41	3.58	11.12	3.58
		10	8	12.78	3.44	12.47	3.51	12.17	3.58	11.86	3.58	11.56	3.58
		15	10	12.71	3.18	12.41	3.24	12.11	3.31	11.81	3.34	11.50	3.34
20	15	10.81	2.21	10.55	2.30	10.30	2.30	10.04	2.30	9.78	2.30		

● Indoor unit : 7000Btu + 14000Btu + 14000Btu

			Indoor temperature										
			16°CDB		18°CDB		20°CDB		22°CDB		24°CDB		
7+14+14	Outdoor temperature	(°CDB)	(°CWB)	TC	IP	TC	IP	TC	IP	TC	IP	TC	IP
		-10	-11	7.46	3.17	7.28	3.24	7.10	3.31	6.92	3.37	6.75	3.44
		-5	-7	8.24	3.27	8.04	3.34	7.84	3.41	7.65	3.48	7.45	3.55
		0	-2	9.35	3.34	9.13	3.41	8.90	3.48	8.68	3.55	8.46	3.58
		5	3	10.35	3.34	10.10	3.41	9.86	3.48	9.61	3.58	9.37	3.58
		7	6	11.13	3.34	10.87	3.41	10.60	3.48	10.34	3.58	10.07	3.58
		10	8	11.58	3.34	11.30	3.41	11.02	3.48	10.75	3.58	10.47	3.58
		15	10	11.52	3.11	11.25	3.17	10.97	3.24	10.70	3.30	10.42	3.34
20	15	9.79	2.21	9.56	2.30	9.33	2.30	9.09	2.30	8.86	2.30		

TC : Total Capacity (kW)
IP : Input Power (kW)

● Indoor unit : 7000Btu + 14000Btu + 18000Btu

			Indoor temperature										
			16°CDB		18°CDB		20°CDB		22°CDB		24°CDB		
7+14+18	Outdoor temperature	(°CDB)	(°CWB)	TC	IP	TC	IP	TC	IP	TC	IP	TC	IP
		-10	-11	7.73	3.08	7.54	3.14	7.36	3.20	7.18	3.27	6.99	3.33
		-5	-7	8.69	3.21	8.49	3.28	8.28	3.34	8.07	3.41	7.87	3.48
		0	-2	10.02	3.38	9.78	3.45	9.55	3.52	9.31	3.58	9.07	3.58
		5	3	11.29	3.38	11.02	3.45	10.75	3.52	10.48	3.58	10.21	3.58
		7	6	12.08	3.38	11.79	3.45	11.50	3.52	11.21	3.58	10.93	3.58
		10	8	12.56	3.38	12.26	3.45	11.96	3.52	11.66	3.58	11.36	3.58
		15	10	12.50	3.14	12.20	3.21	11.90	3.27	11.60	3.34	11.31	3.34
20	15	10.63	2.21	10.37	2.30	10.12	2.30	9.87	2.30	9.61	2.30		

● Indoor unit : 7000Btu + 14000Btu + 24000Btu

			Indoor temperature										
			16°CDB		18°CDB		20°CDB		22°CDB		24°CDB		
7+14+24	Outdoor temperature	(°CDB)	(°CWB)	TC	IP	TC	IP	TC	IP	TC	IP	TC	IP
		-10	-11	7.86	3.11	7.68	3.17	7.49	3.24	7.30	3.30	7.11	3.37
		-5	-7	8.85	3.25	8.63	3.31	8.42	3.38	8.21	3.45	8.00	3.52
		0	-2	10.20	3.42	9.95	3.49	9.71	3.56	9.47	3.58	9.23	3.58
		5	3	11.49	3.44	11.21	3.51	10.94	3.58	10.67	3.58	10.39	3.58
		7	6	12.29	3.44	11.99	3.51	11.70	3.58	11.41	3.58	11.12	3.58
		10	8	12.78	3.44	12.47	3.51	12.17	3.58	11.86	3.58	11.56	3.58
		15	10	12.71	3.18	12.41	3.24	12.11	3.31	11.81	3.34	11.50	3.34
20	15	10.81	2.21	10.55	2.30	10.30	2.30	10.04	2.30	9.78	2.30		

● Indoor unit : 7000Btu + 18000Btu + 18000Btu

			Indoor temperature										
			16°CDB		18°CDB		20°CDB		22°CDB		24°CDB		
7+18+18	Outdoor temperature	(°CDB)	(°CWB)	TC	IP	TC	IP	TC	IP	TC	IP	TC	IP
		-10	-11	8.06	3.08	7.87	3.14	7.68	3.20	7.49	3.27	7.30	3.33
		-5	-7	9.07	3.21	8.86	3.28	8.64	3.34	8.42	3.41	8.21	3.48
		0	-2	10.46	3.38	10.21	3.45	9.96	3.52	9.71	3.58	9.46	3.58
		5	3	11.78	3.38	11.50	3.45	11.22	3.52	10.94	3.58	10.66	3.58
		7	6	12.60	3.38	12.30	3.45	12.00	3.52	11.70	3.58	11.40	3.58
		10	8	13.10	3.38	12.79	3.45	12.48	3.52	12.17	3.58	11.86	3.58
		15	10	13.04	3.14	12.73	3.21	12.42	3.27	12.11	3.34	11.80	3.34
20	15	11.09	2.21	10.82	2.30	10.56	2.30	10.30	2.30	10.03	2.30		

● Indoor unit : 7000Btu + 18000Btu + 24000Btu

			Indoor temperature										
			16°CDB		18°CDB		20°CDB		22°CDB		24°CDB		
7+18+24	Outdoor temperature	(°CDB)	(°CWB)	TC	IP	TC	IP	TC	IP	TC	IP	TC	IP
		-10	-11	8.06	3.08	7.87	3.14	7.68	3.20	7.49	3.27	7.30	3.33
		-5	-7	9.07	3.21	8.86	3.28	8.64	3.34	8.42	3.41	8.21	3.48
		0	-2	10.46	3.38	10.21	3.45	9.96	3.52	9.71	3.58	9.46	3.58
		5	3	11.78	3.38	11.50	3.45	11.22	3.52	10.94	3.58	10.66	3.58
		7	6	12.60	3.38	12.30	3.45	12.00	3.52	11.70	3.58	11.40	3.58
		10	8	13.10	3.38	12.79	3.45	12.48	3.52	12.17	3.58	11.86	3.58
		15	10	13.04	3.14	12.73	3.21	12.42	3.27	12.11	3.34	11.80	3.34
20	15	11.09	2.21	10.82	2.30	10.56	2.30	10.30	2.30	10.03	2.30		

TC : Total Capacity (kW)
IP : Input Power (kW)

● Indoor unit : 9000Btu + 9000Btu + 9000Btu

			Indoor temperature										
			16°CDB		18°CDB		20°CDB		22°CDB		24°CDB		
9+9+9	Outdoor temperature	(°CDB)	(°CWB)	TC	IP	TC	IP	TC	IP	TC	IP	TC	IP
		-10	-11	7.14	3.23	6.97	3.30	6.80	3.37	6.63	3.44	6.46	3.50
		-5	-7	7.88	3.34	7.69	3.41	7.50	3.47	7.31	3.54	7.13	3.58
		0	-2	8.82	3.27	8.61	3.34	8.40	3.40	8.19	3.47	7.98	3.54
		5	3	9.77	3.37	9.53	3.44	9.30	3.51	9.07	3.58	8.84	3.58
		7	6	10.50	3.37	10.25	3.44	10.00	3.51	9.75	3.58	9.50	3.58
		10	8	10.92	3.37	10.66	3.44	10.40	3.51	10.14	3.58	9.88	3.58
		15	10	10.92	3.13	10.66	3.20	10.40	3.26	10.14	3.33	9.88	3.34
20	15	9.45	2.21	9.23	2.30	9.00	2.30	8.78	2.30	8.55	2.30		

● Indoor unit : 9000Btu + 9000Btu + 12000Btu

			Indoor temperature										
			16°CDB		18°CDB		20°CDB		22°CDB		24°CDB		
9+9+12	Outdoor temperature	(°CDB)	(°CWB)	TC	IP	TC	IP	TC	IP	TC	IP	TC	IP
		-10	-11	7.21	3.21	7.04	3.27	6.87	3.34	6.70	3.41	6.52	3.47
		-5	-7	7.95	3.31	7.76	3.38	7.58	3.45	7.39	3.51	7.20	3.58
		0	-2	8.91	3.24	8.70	3.31	8.48	3.38	8.27	3.44	8.06	3.51
		5	3	9.86	3.34	9.63	3.41	9.39	3.48	9.16	3.58	8.92	3.58
		7	6	10.61	3.34	10.35	3.41	10.10	3.48	9.85	3.58	9.60	3.58
		10	8	11.03	3.34	10.77	3.41	10.50	3.48	10.24	3.58	9.98	3.58
		15	10	11.03	3.11	10.77	3.17	10.50	3.24	10.24	3.30	9.98	3.34
20	15	9.54	2.21	9.32	2.30	9.09	2.30	8.86	2.30	8.64	2.30		

● Indoor unit : 9000Btu + 9000Btu + 14000Btu

			Indoor temperature										
			16°CDB		18°CDB		20°CDB		22°CDB		24°CDB		
9+9+14	Outdoor temperature	(°CDB)	(°CWB)	TC	IP	TC	IP	TC	IP	TC	IP	TC	IP
		-10	-11	7.25	3.17	7.07	3.24	6.90	3.31	6.73	3.37	6.56	3.44
		-5	-7	8.00	3.27	7.81	3.34	7.62	3.41	7.43	3.48	7.24	3.55
		0	-2	9.08	3.34	8.87	3.41	8.65	3.48	8.44	3.55	8.22	3.58
		5	3	10.06	3.34	9.82	3.41	9.58	3.48	9.34	3.58	9.10	3.58
		7	6	10.82	3.34	10.56	3.41	10.30	3.48	10.04	3.58	9.79	3.58
		10	8	11.25	3.34	10.98	3.41	10.71	3.48	10.44	3.58	10.18	3.58
		15	10	11.19	3.11	10.93	3.17	10.66	3.24	10.39	3.30	10.13	3.34
20	15	9.52	2.21	9.29	2.30	9.06	2.30	8.84	2.30	8.61	2.30		

● Indoor unit : 9000Btu + 9000Btu + 18000Btu

			Indoor temperature										
			16°CDB		18°CDB		20°CDB		22°CDB		24°CDB		
9+9+18	Outdoor temperature	(°CDB)	(°CWB)	TC	IP	TC	IP	TC	IP	TC	IP	TC	IP
		-10	-11	8.02	3.17	7.83	3.24	7.64	3.31	7.45	3.37	7.26	3.44
		-5	-7	8.86	3.27	8.65	3.34	8.44	3.41	8.23	3.48	8.01	3.55
		0	-2	10.05	3.34	9.82	3.41	9.58	3.48	9.34	3.55	9.10	3.58
		5	3	11.13	3.34	10.87	3.41	10.60	3.48	10.34	3.58	10.07	3.58
		7	6	11.97	3.34	11.69	3.41	11.40	3.48	11.12	3.58	10.83	3.58
		10	8	12.45	3.34	12.15	3.41	11.86	3.48	11.56	3.58	11.26	3.58
		15	10	12.39	3.11	12.09	3.17	11.80	3.24	11.50	3.30	11.21	3.34
20	15	10.53	2.21	10.28	2.30	10.03	2.30	9.78	2.30	9.53	2.30		

TC : Total Capacity (kW)
IP : Input Power (kW)

● Indoor unit : 9000Btu + 9000Btu + 24000Btu

			Indoor temperature										
			16°CDB		18°CDB		20°CDB		22°CDB		24°CDB		
9+9+24	Outdoor temperature	(°CDB)	(°CWB)	TC	IP	TC	IP	TC	IP	TC	IP	TC	IP
		-10	-11	7.86	3.12	7.68	3.18	7.49	3.25	7.30	3.31	7.11	3.38
		-5	-7	8.85	3.26	8.63	3.32	8.42	3.39	8.21	3.46	8.00	3.53
		0	-2	10.20	3.43	9.95	3.50	9.71	3.57	9.47	3.58	9.23	3.58
		5	3	11.49	3.44	11.21	3.51	10.94	3.58	10.67	3.58	10.39	3.58
		7	6	12.29	3.44	11.99	3.51	11.70	3.58	11.41	3.58	11.12	3.58
		10	8	12.78	3.44	12.47	3.51	12.17	3.58	11.86	3.58	11.56	3.58
		15	10	12.71	3.19	12.41	3.25	12.11	3.32	11.81	3.34	11.50	3.34
20	15	10.81	2.21	10.55	2.30	10.30	2.30	10.04	2.30	9.78	2.30		

● Indoor unit : 9000Btu + 12000Btu + 12000Btu

			Indoor temperature										
			16°CDB		18°CDB		20°CDB		22°CDB		24°CDB		
9+12+12	Outdoor temperature	(°CDB)	(°CWB)	TC	IP	TC	IP	TC	IP	TC	IP	TC	IP
		-10	-11	7.25	3.21	7.07	3.28	6.90	3.34	6.73	3.41	6.56	3.48
		-5	-7	8.00	3.31	7.81	3.38	7.62	3.45	7.43	3.52	7.24	3.58
		0	-2	9.08	3.38	8.87	3.45	8.65	3.52	8.44	3.58	8.22	3.58
		5	3	10.06	3.38	9.82	3.45	9.58	3.52	9.34	3.58	9.10	3.58
		7	6	10.82	3.38	10.56	3.45	10.30	3.52	10.04	3.58	9.79	3.58
		10	8	11.25	3.38	10.98	3.45	10.71	3.52	10.44	3.58	10.18	3.58
		15	10	11.19	3.14	10.93	3.21	10.66	3.27	10.39	3.34	10.13	3.34
20	15	9.52	2.21	9.29	2.30	9.06	2.30	8.84	2.30	8.61	2.30		

● Indoor unit : 9000Btu + 12000Btu + 14000Btu

			Indoor temperature										
			16°CDB		18°CDB		20°CDB		22°CDB		24°CDB		
9+12+14	Outdoor temperature	(°CDB)	(°CWB)	TC	IP	TC	IP	TC	IP	TC	IP	TC	IP
		-10	-11	7.39	3.21	7.21	3.28	7.04	3.34	6.86	3.41	6.68	3.48
		-5	-7	8.16	3.31	7.96	3.38	7.77	3.45	7.58	3.52	7.38	3.58
		0	-2	9.26	3.38	9.04	3.45	8.82	3.52	8.60	3.58	8.38	3.58
		5	3	10.25	3.38	10.01	3.45	9.77	3.52	9.52	3.58	9.28	3.58
		7	6	11.03	3.38	10.76	3.45	10.50	3.52	10.24	3.58	9.98	3.58
		10	8	11.47	3.38	11.19	3.45	10.92	3.52	10.65	3.58	10.37	3.58
		15	10	11.41	3.14	11.14	3.21	10.87	3.27	10.60	3.34	10.32	3.34
20	15	9.70	2.21	9.47	2.30	9.24	2.30	9.01	2.30	8.78	2.30		

● Indoor unit : 9000Btu + 12000Btu + 18000Btu

			Indoor temperature										
			16°CDB		18°CDB		20°CDB		22°CDB		24°CDB		
9+12+18	Outdoor temperature	(°CDB)	(°CWB)	TC	IP	TC	IP	TC	IP	TC	IP	TC	IP
		-10	-11	7.66	3.03	7.48	3.09	7.30	3.16	7.11	3.22	6.93	3.28
		-5	-7	8.62	3.16	8.41	3.23	8.21	3.30	8.00	3.36	7.80	3.43
		0	-2	9.94	3.33	9.70	3.40	9.46	3.47	9.23	3.54	8.99	3.58
		5	3	11.19	3.33	10.93	3.40	10.66	3.47	10.39	3.54	10.13	3.58
		7	6	11.97	3.33	11.69	3.40	11.40	3.47	11.12	3.54	10.83	3.58
		10	8	12.45	3.33	12.15	3.40	11.86	3.47	11.56	3.54	11.26	3.58
		15	10	12.39	3.10	12.09	3.16	11.80	3.23	11.50	3.29	11.21	3.34
20	15	10.53	2.21	10.28	2.30	10.03	2.30	9.78	2.30	9.53	2.30		

TC : Total Capacity (kW)
IP : Input Power (kW)

● Indoor unit : 9000Btu + 12000Btu + 24000Btu

			Indoor temperature										
			16°CDB		18°CDB		20°CDB		22°CDB		24°CDB		
9+12+24	Outdoor temperature	(°CDB)	(°CWB)	TC	IP	TC	IP	TC	IP	TC	IP	TC	IP
		-10	-11	7.93	3.10	7.74	3.17	7.55	3.23	7.36	3.30	7.17	3.36
		-5	-7	8.92	3.24	8.71	3.31	8.50	3.37	8.28	3.44	8.07	3.51
		0	-2	10.28	3.41	10.04	3.48	9.79	3.55	9.55	3.58	9.30	3.58
		5	3	11.58	3.44	11.31	3.51	11.03	3.58	10.76	3.58	10.48	3.58
		7	6	12.39	3.44	12.10	3.51	11.80	3.58	11.51	3.58	11.21	3.58
		10	8	12.89	3.44	12.58	3.51	12.27	3.58	11.97	3.58	11.66	3.58
		15	10	12.82	3.17	12.52	3.24	12.21	3.30	11.91	3.34	11.60	3.34
20	15	10.90	2.21	10.64	2.30	10.38	2.30	10.12	2.30	9.86	2.30		

● Indoor unit : 9000Btu + 14000Btu + 14000Btu

			Indoor temperature										
			16°CDB		18°CDB		20°CDB		22°CDB		24°CDB		
9+14+14	Outdoor temperature	(°CDB)	(°CWB)	TC	IP	TC	IP	TC	IP	TC	IP	TC	IP
		-10	-11	7.19	3.02	7.02	3.09	6.85	3.15	6.68	3.21	6.51	3.27
		-5	-7	8.09	3.16	7.90	3.22	7.70	3.29	7.51	3.35	7.32	3.42
		0	-2	9.33	3.32	9.10	3.39	8.88	3.46	8.66	3.53	8.44	3.58
		5	3	10.50	3.32	10.25	3.39	10.00	3.46	9.75	3.53	9.50	3.58
		7	6	11.24	3.32	10.97	3.39	10.70	3.46	10.43	3.53	10.17	3.58
		10	8	11.68	3.32	11.41	3.39	11.13	3.46	10.85	3.53	10.57	3.58
		15	10	11.63	3.09	11.35	3.15	11.07	3.22	10.80	3.28	10.52	3.34
20	15	9.89	2.21	9.65	2.30	9.42	2.30	9.18	2.30	8.95	2.30		

● Indoor unit : 9000Btu + 14000Btu + 18000Btu

			Indoor temperature										
			16°CDB		18°CDB		20°CDB		22°CDB		24°CDB		
9+14+18	Outdoor temperature	(°CDB)	(°CWB)	TC	IP	TC	IP	TC	IP	TC	IP	TC	IP
		-10	-11	7.80	3.07	7.61	3.13	7.42	3.19	7.24	3.26	7.05	3.32
		-5	-7	8.77	3.20	8.56	3.27	8.35	3.33	8.14	3.40	7.93	3.47
		0	-2	10.11	3.37	9.87	3.44	9.63	3.51	9.39	3.58	9.15	3.58
		5	3	11.39	3.37	11.12	3.44	10.85	3.51	10.57	3.58	10.30	3.58
		7	6	12.18	3.37	11.89	3.44	11.60	3.51	11.31	3.58	11.02	3.58
		10	8	12.67	3.37	12.37	3.44	12.06	3.51	11.76	3.58	11.46	3.58
		15	10	12.61	3.13	12.31	3.20	12.01	3.26	11.71	3.33	11.41	3.34
20	15	10.72	2.21	10.46	2.30	10.21	2.30	9.95	2.30	9.70	2.30		

● Indoor unit : 9000Btu + 14000Btu + 24000Btu

			Indoor temperature										
			16°CDB		18°CDB		20°CDB		22°CDB		24°CDB		
9+14+24	Outdoor temperature	(°CDB)	(°CWB)	TC	IP	TC	IP	TC	IP	TC	IP	TC	IP
		-10	-11	8.00	3.12	7.81	3.18	7.62	3.25	7.43	3.31	7.24	3.38
		-5	-7	9.00	3.26	8.78	3.32	8.57	3.39	8.35	3.46	8.14	3.53
		0	-2	10.37	3.43	10.12	3.50	9.88	3.57	9.63	3.58	9.38	3.58
		5	3	11.68	3.44	11.40	3.51	11.13	3.58	10.85	3.58	10.57	3.58
		7	6	12.50	3.44	12.20	3.51	11.90	3.58	11.60	3.58	11.31	3.58
		10	8	12.99	3.44	12.69	3.51	12.38	3.58	12.07	3.58	11.76	3.58
		15	10	12.93	3.19	12.62	3.25	12.32	3.32	12.01	3.34	11.70	3.34
20	15	11.00	2.21	10.73	2.30	10.47	2.30	10.21	2.30	9.95	2.30		

TC : Total Capacity (kW)
IP : Input Power (kW)

● Indoor unit : 9000Btu + 18000Btu + 18000Btu

			Indoor temperature										
			16°CDB		18°CDB		20°CDB		22°CDB		24°CDB		
9+18+18	Outdoor temperature	(°CDB)	(°CWB)	TC	IP	TC	IP	TC	IP	TC	IP	TC	IP
		-10	-11	8.06	3.08	7.87	3.14	7.68	3.20	7.49	3.27	7.30	3.33
		-5	-7	9.07	3.21	8.86	3.28	8.64	3.34	8.42	3.41	8.21	3.48
		0	-2	10.46	3.38	10.21	3.45	9.96	3.52	9.71	3.58	9.46	3.58
		5	3	11.78	3.38	11.50	3.45	11.22	3.52	10.94	3.58	10.66	3.58
		7	6	12.60	3.38	12.30	3.45	12.00	3.52	11.70	3.58	11.40	3.58
		10	8	13.10	3.38	12.79	3.45	12.48	3.52	12.17	3.58	11.86	3.58
		15	10	13.04	3.14	12.73	3.21	12.42	3.27	12.11	3.34	11.80	3.34
20	15	11.09	2.21	10.82	2.30	10.56	2.30	10.30	2.30	10.03	2.30		

● Indoor unit : 12000Btu + 12000Btu + 12000Btu

			Indoor temperature										
			16°CDB		18°CDB		20°CDB		22°CDB		24°CDB		
12+12+12	Outdoor temperature	(°CDB)	(°CWB)	TC	IP	TC	IP	TC	IP	TC	IP	TC	IP
		-10	-11	7.25	3.18	7.07	3.25	6.90	3.32	6.73	3.38	6.56	3.45
		-5	-7	8.00	3.28	7.81	3.35	7.62	3.42	7.43	3.49	7.24	3.56
		0	-2	9.08	3.35	8.87	3.42	8.65	3.49	8.44	3.56	8.22	3.58
		5	3	10.06	3.35	9.82	3.42	9.58	3.49	9.34	3.58	9.10	3.58
		7	6	10.82	3.35	10.56	3.42	10.30	3.49	10.04	3.58	9.79	3.58
		10	8	11.25	3.35	10.98	3.42	10.71	3.49	10.44	3.58	10.18	3.58
		15	10	11.19	3.12	10.93	3.18	10.66	3.25	10.39	3.31	10.13	3.34
20	15	9.52	2.21	9.29	2.30	9.06	2.30	8.84	2.30	8.61	2.30		

● Indoor unit : 12000Btu + 12000Btu + 14000Btu

			Indoor temperature										
			16°CDB		18°CDB		20°CDB		22°CDB		24°CDB		
12+12+14	Outdoor temperature	(°CDB)	(°CWB)	TC	IP	TC	IP	TC	IP	TC	IP	TC	IP
		-10	-11	7.12	3.05	6.95	3.11	6.78	3.18	6.61	3.24	6.44	3.30
		-5	-7	8.01	3.18	7.82	3.25	7.63	3.32	7.44	3.38	7.25	3.45
		0	-2	9.24	3.35	9.02	3.42	8.80	3.49	8.58	3.56	8.36	3.58
		5	3	10.41	3.35	10.16	3.42	9.91	3.49	9.66	3.58	9.42	3.58
		7	6	11.13	3.35	10.87	3.42	10.60	3.49	10.34	3.58	10.07	3.58
		10	8	11.58	3.35	11.30	3.42	11.02	3.49	10.75	3.58	10.47	3.58
		15	10	11.52	3.12	11.25	3.18	10.97	3.25	10.70	3.31	10.42	3.34
20	15	9.79	2.21	9.56	2.30	9.33	2.30	9.09	2.30	8.86	2.30		

● Indoor unit : 12000Btu + 12000Btu + 18000Btu

			Indoor temperature										
			16°CDB		18°CDB		20°CDB		22°CDB		24°CDB		
12+12+18	Outdoor temperature	(°CDB)	(°CWB)	TC	IP	TC	IP	TC	IP	TC	IP	TC	IP
		-10	-11	7.80	3.08	7.61	3.14	7.42	3.20	7.24	3.27	7.05	3.33
		-5	-7	8.77	3.21	8.56	3.28	8.35	3.34	8.14	3.41	7.93	3.48
		0	-2	10.11	3.38	9.87	3.45	9.63	3.52	9.39	3.58	9.15	3.58
		5	3	11.39	3.38	11.12	3.45	10.85	3.52	10.57	3.58	10.30	3.58
		7	6	12.18	3.38	11.89	3.45	11.60	3.52	11.31	3.58	11.02	3.58
		10	8	12.67	3.38	12.37	3.45	12.06	3.52	11.76	3.58	11.46	3.58
		15	10	12.61	3.14	12.31	3.21	12.01	3.27	11.71	3.34	11.41	3.34
20	15	10.72	2.21	10.46	2.30	10.21	2.30	9.95	2.30	9.70	2.30		

TC : Total Capacity (kW)
IP : Input Power (kW)

● Indoor unit : 12000Btu + 12000Btu + 24000Btu

			Indoor temperature										
			16°CDB		18°CDB		20°CDB		22°CDB		24°CDB		
12+12+24	Outdoor temperature	(°CDB)	(°CWB)	TC	IP	TC	IP	TC	IP	TC	IP	TC	IP
		-10	-11	7.93	3.09	7.74	3.16	7.55	3.22	7.36	3.29	7.17	3.35
		-5	-7	8.92	3.23	8.71	3.30	8.50	3.36	8.28	3.43	8.07	3.50
		0	-2	10.28	3.40	10.04	3.47	9.79	3.54	9.55	3.58	9.30	3.58
		5	3	11.58	3.40	11.31	3.47	11.03	3.54	10.76	3.58	10.48	3.58
		7	6	12.39	3.40	12.10	3.47	11.80	3.54	11.51	3.58	11.21	3.58
		10	8	12.89	3.40	12.58	3.47	12.27	3.54	11.97	3.58	11.66	3.58
		15	10	12.82	3.16	12.52	3.23	12.21	3.29	11.91	3.34	11.60	3.34
20	15	10.90	2.21	10.64	2.30	10.38	2.30	10.12	2.30	9.86	2.30		

● Indoor unit : 12000Btu + 14000Btu + 14000Btu

			Indoor temperature										
			16°CDB		18°CDB		20°CDB		22°CDB		24°CDB		
12+14+14	Outdoor temperature	(°CDB)	(°CWB)	TC	IP	TC	IP	TC	IP	TC	IP	TC	IP
		-10	-11	7.26	3.06	7.08	3.12	6.91	3.19	6.74	3.25	6.57	3.31
		-5	-7	8.16	3.19	7.97	3.26	7.78	3.33	7.58	3.39	7.39	3.46
		0	-2	9.41	3.36	9.19	3.43	8.96	3.50	8.74	3.57	8.52	3.58
		5	3	10.60	3.36	10.35	3.43	10.10	3.50	9.85	3.58	9.59	3.58
		7	6	11.34	3.36	11.07	3.43	10.80	3.50	10.53	3.58	10.26	3.58
		10	8	11.79	3.36	11.51	3.43	11.23	3.50	10.95	3.58	10.67	3.58
		15	10	11.74	3.12	11.46	3.19	11.18	3.26	10.90	3.32	10.62	3.34
20	15	9.98	2.21	9.74	2.30	9.50	2.30	9.27	2.30	9.03	2.30		

● Indoor unit : 12000Btu + 14000Btu + 18000Btu

			Indoor temperature										
			16°CDB		18°CDB		20°CDB		22°CDB		24°CDB		
12+14+18	Outdoor temperature	(°CDB)	(°CWB)	TC	IP	TC	IP	TC	IP	TC	IP	TC	IP
		-10	-11	7.80	3.05	7.61	3.11	7.42	3.18	7.24	3.24	7.05	3.30
		-5	-7	8.77	3.18	8.56	3.25	8.35	3.32	8.14	3.38	7.93	3.45
		0	-2	10.11	3.35	9.87	3.42	9.63	3.49	9.39	3.56	9.15	3.58
		5	3	11.39	3.35	11.12	3.42	10.85	3.49	10.57	3.58	10.30	3.58
		7	6	12.18	3.35	11.89	3.42	11.60	3.49	11.31	3.58	11.02	3.58
		10	8	12.67	3.35	12.37	3.42	12.06	3.49	11.76	3.58	11.46	3.58
		15	10	12.61	3.12	12.31	3.18	12.01	3.25	11.71	3.31	11.41	3.34
20	15	10.72	2.21	10.46	2.30	10.21	2.30	9.95	2.30	9.70	2.30		

● Indoor unit : 12000Btu + 18000Btu + 18000Btu

			Indoor temperature										
			16°CDB		18°CDB		20°CDB		22°CDB		24°CDB		
12+18+18	Outdoor temperature	(°CDB)	(°CWB)	TC	IP	TC	IP	TC	IP	TC	IP	TC	IP
		-10	-11	8.06	3.08	7.87	3.14	7.68	3.20	7.49	3.27	7.30	3.33
		-5	-7	9.07	3.21	8.86	3.28	8.64	3.34	8.42	3.41	8.21	3.48
		0	-2	10.46	3.38	10.21	3.45	9.96	3.52	9.71	3.58	9.46	3.58
		5	3	11.78	3.38	11.50	3.45	11.22	3.52	10.94	3.58	10.66	3.58
		7	6	12.60	3.38	12.30	3.45	12.00	3.52	11.70	3.58	11.40	3.58
		10	8	13.10	3.38	12.79	3.45	12.48	3.52	12.17	3.58	11.86	3.58
		15	10	13.04	3.14	12.73	3.21	12.42	3.27	12.11	3.34	11.80	3.34
20	15	11.09	2.21	10.82	2.30	10.56	2.30	10.30	2.30	10.03	2.30		

TC : Total Capacity (kW)
IP : Input Power (kW)

● Indoor unit : 7000Btu + 7000Btu + 7000Btu + 7000Btu

			Indoor temperature										
			16°CDB		18°CDB		20°CDB		22°CDB		24°CDB		
7+7+7+7	Outdoor temperature	(°CDB)	(°CWB)	TC	IP	TC	IP	TC	IP	TC	IP	TC	IP
		-10	-11	7.71	3.20	7.53	3.26	7.34	3.33	7.16	3.40	6.98	3.46
		-5	-7	8.51	3.30	8.30	3.37	8.10	3.44	7.90	3.50	7.70	3.57
		0	-2	9.53	3.23	9.30	3.30	9.07	3.37	8.85	3.43	8.62	3.50
		5	3	10.55	3.33	10.30	3.40	10.04	3.47	9.79	3.54	9.54	3.58
		7	6	11.34	3.33	11.07	3.40	10.80	3.47	10.53	3.54	10.26	3.58
		10	8	11.79	3.33	11.51	3.40	11.23	3.47	10.95	3.54	10.67	3.58
		15	10	11.79	3.10	11.51	3.16	11.23	3.23	10.95	3.29	10.67	3.34
20	15	10.21	2.21	9.96	2.30	9.72	2.30	9.48	2.30	9.23	2.30		

● Indoor unit : 7000Btu + 7000Btu + 7000Btu + 9000Btu

			Indoor temperature										
			16°CDB		18°CDB		20°CDB		22°CDB		24°CDB		
7+7+7+9	Outdoor temperature	(°CDB)	(°CWB)	TC	IP	TC	IP	TC	IP	TC	IP	TC	IP
		-10	-11	7.78	3.23	7.60	3.30	7.41	3.37	7.23	3.44	7.04	3.50
		-5	-7	8.58	3.34	8.38	3.41	8.18	3.47	7.97	3.54	7.77	3.58
		0	-2	9.61	3.27	9.38	3.34	9.16	3.40	8.93	3.47	8.70	3.54
		5	3	10.64	3.37	10.39	3.44	10.14	3.51	9.88	3.58	9.63	3.58
		7	6	11.45	3.37	11.17	3.44	10.90	3.51	10.63	3.58	10.36	3.58
		10	8	11.90	3.37	11.62	3.44	11.34	3.51	11.05	3.58	10.77	3.58
		15	10	11.90	3.13	11.62	3.20	11.34	3.26	11.05	3.33	10.77	3.34
20	15	10.30	2.21	10.06	2.30	9.81	2.30	9.56	2.30	9.32	2.30		

● Indoor unit : 7000Btu + 7000Btu + 7000Btu + 12000Btu

			Indoor temperature										
			16°CDB		18°CDB		20°CDB		22°CDB		24°CDB		
7+7+7+12	Outdoor temperature	(°CDB)	(°CWB)	TC	IP	TC	IP	TC	IP	TC	IP	TC	IP
		-10	-11	7.81	3.24	7.62	3.31	7.44	3.37	7.25	3.44	7.07	3.51
		-5	-7	8.62	3.34	8.42	3.41	8.21	3.48	8.01	3.55	7.80	3.58
		0	-2	9.79	3.41	9.56	3.48	9.32	3.55	9.09	3.58	8.86	3.58
		5	3	10.84	3.44	10.58	3.51	10.32	3.58	10.06	3.58	9.81	3.58
		7	6	11.66	3.44	11.38	3.51	11.10	3.58	10.82	3.58	10.55	3.58
		10	8	12.12	3.44	11.83	3.51	11.54	3.58	11.26	3.58	10.97	3.58
		15	10	12.06	3.17	11.78	3.24	11.49	3.30	11.20	3.34	10.91	3.34
20	15	10.26	2.21	10.01	2.30	9.77	2.30	9.52	2.30	9.28	2.30		

● Indoor unit : 7000Btu + 7000Btu + 7000Btu + 14000Btu

			Indoor temperature										
			16°CDB		18°CDB		20°CDB		22°CDB		24°CDB		
7+7+7+14	Outdoor temperature	(°CDB)	(°CWB)	TC	IP	TC	IP	TC	IP	TC	IP	TC	IP
		-10	-11	7.95	3.25	7.76	3.31	7.57	3.38	7.38	3.45	7.19	3.52
		-5	-7	8.78	3.35	8.57	3.42	8.36	3.49	8.15	3.56	7.94	3.58
		0	-2	9.97	3.42	9.73	3.49	9.49	3.56	9.25	3.58	9.02	3.58
		5	3	11.03	3.44	10.77	3.51	10.51	3.58	10.25	3.58	9.98	3.58
		7	6	11.87	3.44	11.58	3.51	11.30	3.58	11.02	3.58	10.74	3.58
		10	8	12.34	3.44	12.05	3.51	11.75	3.58	11.46	3.58	11.16	3.58
		15	10	12.28	3.18	11.99	3.24	11.70	3.31	11.40	3.34	11.11	3.34
20	15	10.44	2.21	10.19	2.30	9.94	2.30	9.70	2.30	9.45	2.30		

TC : Total Capacity (kW)
IP : Input Power (kW)

● Indoor unit : 7000Btu + 7000Btu + 7000Btu + 18000Btu

			Indoor temperature										
			16°CDB		18°CDB		20°CDB		22°CDB		24°CDB		
7+7+7+18	Outdoor temperature	(°CDB)	(°CWB)	TC	IP	TC	IP	TC	IP	TC	IP	TC	IP
		-10	-11	8.06	3.11	7.87	3.17	7.68	3.24	7.49	3.30	7.30	3.37
		-5	-7	9.07	3.25	8.86	3.31	8.64	3.38	8.42	3.45	8.21	3.52
		0	-2	10.46	3.42	10.21	3.49	9.96	3.56	9.71	3.58	9.46	3.58
		5	3	11.78	3.44	11.50	3.51	11.22	3.58	10.94	3.58	10.66	3.58
		7	6	12.60	3.44	12.30	3.51	12.00	3.58	11.70	3.58	11.40	3.58
		10	8	13.10	3.44	12.79	3.51	12.48	3.58	12.17	3.58	11.86	3.58
		15	10	13.04	3.18	12.73	3.24	12.42	3.31	12.11	3.34	11.80	3.34
20	15	11.09	2.21	10.82	2.30	10.56	2.30	10.30	2.30	10.03	2.30		

● Indoor unit : 7000Btu + 7000Btu + 9000Btu + 9000Btu

			Indoor temperature										
			16°CDB		18°CDB		20°CDB		22°CDB		24°CDB		
7+7+9+9	Outdoor temperature	(°CDB)	(°CWB)	TC	IP	TC	IP	TC	IP	TC	IP	TC	IP
		-10	-11	7.67	3.14	7.49	3.20	7.30	3.27	7.12	3.33	6.94	3.40
		-5	-7	8.47	3.24	8.27	3.30	8.07	3.37	7.86	3.44	7.66	3.51
		0	-2	9.61	3.30	9.38	3.37	9.16	3.44	8.93	3.51	8.70	3.58
		5	3	10.64	3.30	10.39	3.37	10.14	3.44	9.88	3.51	9.63	3.58
		7	6	11.45	3.30	11.17	3.37	10.90	3.44	10.63	3.51	10.36	3.58
		10	8	11.90	3.30	11.62	3.37	11.34	3.44	11.05	3.51	10.77	3.58
		15	10	11.85	3.07	11.56	3.14	11.28	3.20	11.00	3.26	10.72	3.33
20	15	10.07	2.21	9.83	2.30	9.59	2.30	9.35	2.30	9.11	2.30		

● Indoor unit : 7000Btu + 7000Btu + 9000Btu + 12000Btu

			Indoor temperature										
			16°CDB		18°CDB		20°CDB		22°CDB		24°CDB		
7+7+9+12	Outdoor temperature	(°CDB)	(°CWB)	TC	IP	TC	IP	TC	IP	TC	IP	TC	IP
		-10	-11	7.81	3.23	7.62	3.30	7.44	3.36	7.25	3.43	7.07	3.50
		-5	-7	8.62	3.33	8.42	3.40	8.21	3.47	8.01	3.54	7.80	3.58
		0	-2	9.79	3.40	9.56	3.47	9.32	3.54	9.09	3.58	8.86	3.58
		5	3	10.84	3.40	10.58	3.47	10.32	3.54	10.06	3.58	9.81	3.58
		7	6	11.66	3.40	11.38	3.47	11.10	3.54	10.82	3.58	10.55	3.58
		10	8	12.12	3.40	11.83	3.47	11.54	3.54	11.26	3.58	10.97	3.58
		15	10	12.06	3.16	11.78	3.23	11.49	3.29	11.20	3.34	10.91	3.34
20	15	10.26	2.21	10.01	2.30	9.77	2.30	9.52	2.30	9.28	2.30		

● Indoor unit : 7000Btu + 7000Btu + 9000Btu + 14000Btu

			Indoor temperature										
			16°CDB		18°CDB		20°CDB		22°CDB		24°CDB		
7+7+9+14	Outdoor temperature	(°CDB)	(°CWB)	TC	IP	TC	IP	TC	IP	TC	IP	TC	IP
		-10	-11	7.66	3.09	7.48	3.16	7.30	3.22	7.11	3.29	6.93	3.35
		-5	-7	8.62	3.23	8.41	3.30	8.21	3.36	8.00	3.43	7.80	3.50
		0	-2	9.94	3.40	9.70	3.47	9.46	3.54	9.23	3.58	8.99	3.58
		5	3	11.19	3.40	10.93	3.47	10.66	3.54	10.39	3.58	10.13	3.58
		7	6	11.97	3.40	11.69	3.47	11.40	3.54	11.12	3.58	10.83	3.58
		10	8	12.45	3.40	12.15	3.47	11.86	3.54	11.56	3.58	11.26	3.58
		15	10	12.39	3.16	12.09	3.23	11.80	3.29	11.50	3.34	11.21	3.34
20	15	10.53	2.21	10.28	2.30	10.03	2.30	9.78	2.30	9.53	2.30		

TC : Total Capacity (kW)
IP : Input Power (kW)

● Indoor unit : 7000Btu + 7000Btu + 9000Btu + 18000Btu

			Indoor temperature										
			16°CDB		18°CDB		20°CDB		22°CDB		24°CDB		
7+7+9+18	Outdoor temperature	(°CDB)	(°CWB)	TC	IP	TC	IP	TC	IP	TC	IP	TC	IP
		-10	-11	8.06	3.10	7.87	3.17	7.68	3.23	7.49	3.30	7.30	3.36
		-5	-7	9.07	3.24	8.86	3.31	8.64	3.37	8.42	3.44	8.21	3.51
		0	-2	10.46	3.41	10.21	3.48	9.96	3.55	9.71	3.58	9.46	3.58
		5	3	11.78	3.44	11.50	3.51	11.22	3.58	10.94	3.58	10.66	3.58
		7	6	12.60	3.44	12.30	3.51	12.00	3.58	11.70	3.58	11.40	3.58
		10	8	13.10	3.44	12.79	3.51	12.48	3.58	12.17	3.58	11.86	3.58
		15	10	13.04	3.17	12.73	3.24	12.42	3.30	12.11	3.34	11.80	3.34
20	15	11.09	2.21	10.82	2.30	10.56	2.30	10.30	2.30	10.03	2.30		

● Indoor unit : 7000Btu + 7000Btu + 12000Btu + 12000Btu

			Indoor temperature										
			16°CDB		18°CDB		20°CDB		22°CDB		24°CDB		
7+7+12+12	Outdoor temperature	(°CDB)	(°CWB)	TC	IP	TC	IP	TC	IP	TC	IP	TC	IP
		-10	-11	7.59	3.12	7.41	3.18	7.23	3.25	7.05	3.31	6.87	3.38
		-5	-7	8.54	3.26	8.34	3.32	8.14	3.39	7.93	3.46	7.73	3.53
		0	-2	9.85	3.43	9.61	3.50	9.38	3.57	9.14	3.58	8.91	3.58
		5	3	11.09	3.44	10.83	3.51	10.57	3.58	10.30	3.58	10.04	3.58
		7	6	11.87	3.44	11.58	3.51	11.30	3.58	11.02	3.58	10.74	3.58
		10	8	12.34	3.44	12.05	3.51	11.75	3.58	11.46	3.58	11.16	3.58
		15	10	12.28	3.19	11.99	3.25	11.70	3.32	11.40	3.34	11.11	3.34
20	15	10.44	2.21	10.19	2.30	9.94	2.30	9.70	2.30	9.45	2.30		

● Indoor unit : 7000Btu + 7000Btu + 12000Btu + 14000Btu

			Indoor temperature										
			16°CDB		18°CDB		20°CDB		22°CDB		24°CDB		
7+7+12+14	Outdoor temperature	(°CDB)	(°CWB)	TC	IP	TC	IP	TC	IP	TC	IP	TC	IP
		-10	-11	7.73	3.13	7.54	3.19	7.36	3.26	7.18	3.32	6.99	3.39
		-5	-7	8.69	3.26	8.49	3.33	8.28	3.40	8.07	3.47	7.87	3.54
		0	-2	10.02	3.44	9.78	3.51	9.55	3.58	9.31	3.58	9.07	3.58
		5	3	11.29	3.44	11.02	3.51	10.75	3.58	10.48	3.58	10.21	3.58
		7	6	12.08	3.44	11.79	3.51	11.50	3.58	11.21	3.58	10.93	3.58
		10	8	12.56	3.44	12.26	3.51	11.96	3.58	11.66	3.58	11.36	3.58
		15	10	12.50	3.20	12.20	3.26	11.90	3.33	11.60	3.34	11.31	3.34
20	15	10.63	2.21	10.37	2.30	10.12	2.30	9.87	2.30	9.61	2.30		

● Indoor unit : 7000Btu + 7000Btu + 12000Btu + 18000Btu

			Indoor temperature										
			16°CDB		18°CDB		20°CDB		22°CDB		24°CDB		
7+7+12+18	Outdoor temperature	(°CDB)	(°CWB)	TC	IP	TC	IP	TC	IP	TC	IP	TC	IP
		-10	-11	8.06	3.13	7.87	3.19	7.68	3.26	7.49	3.32	7.30	3.39
		-5	-7	9.07	3.26	8.86	3.33	8.64	3.40	8.42	3.47	8.21	3.54
		0	-2	10.46	3.44	10.21	3.51	9.96	3.58	9.71	3.58	9.46	3.58
		5	3	11.78	3.44	11.50	3.51	11.22	3.58	10.94	3.58	10.66	3.58
		7	6	12.60	3.44	12.30	3.51	12.00	3.58	11.70	3.58	11.40	3.58
		10	8	13.10	3.44	12.79	3.51	12.48	3.58	12.17	3.58	11.86	3.58
		15	10	13.04	3.20	12.73	3.26	12.42	3.33	12.11	3.34	11.80	3.34
20	15	11.09	2.21	10.82	2.30	10.56	2.30	10.30	2.30	10.03	2.30		

TC : Total Capacity (kW)
IP : Input Power (kW)

● Indoor unit : 7000Btu + 7000Btu + 14000Btu + 14000Btu

			Indoor temperature										
			16°CDB		18°CDB		20°CDB		22°CDB		24°CDB		
7+7+14+14	Outdoor temperature	(°CDB)	(°CWB)	TC	IP	TC	IP	TC	IP	TC	IP	TC	IP
		-10	-11	7.93	3.13	7.74	3.19	7.55	3.26	7.36	3.32	7.17	3.39
		-5	-7	8.92	3.26	8.71	3.33	8.50	3.40	8.28	3.47	8.07	3.54
		0	-2	10.28	3.44	10.04	3.51	9.79	3.58	9.55	3.58	9.30	3.58
		5	3	11.58	3.44	11.31	3.51	11.03	3.58	10.76	3.58	10.48	3.58
		7	6	12.39	3.44	12.10	3.51	11.80	3.58	11.51	3.58	11.21	3.58
		10	8	12.89	3.44	12.58	3.51	12.27	3.58	11.97	3.58	11.66	3.58
		15	10	12.82	3.20	12.52	3.26	12.21	3.33	11.91	3.34	11.60	3.34
20	15	10.90	2.21	10.64	2.30	10.38	2.30	10.12	2.30	9.86	2.30		

● Indoor unit : 7000Btu + 7000Btu + 14000Btu + 18000Btu

			Indoor temperature										
			16°CDB		18°CDB		20°CDB		22°CDB		24°CDB		
7+7+14+18	Outdoor temperature	(°CDB)	(°CWB)	TC	IP	TC	IP	TC	IP	TC	IP	TC	IP
		-10	-11	8.06	3.11	7.87	3.17	7.68	3.24	7.49	3.30	7.30	3.37
		-5	-7	9.07	3.25	8.86	3.31	8.64	3.38	8.42	3.45	8.21	3.52
		0	-2	10.46	3.42	10.21	3.49	9.96	3.56	9.71	3.58	9.46	3.58
		5	3	11.78	3.44	11.50	3.51	11.22	3.58	10.94	3.58	10.66	3.58
		7	6	12.60	3.44	12.30	3.51	12.00	3.58	11.70	3.58	11.40	3.58
		10	8	13.10	3.44	12.79	3.51	12.48	3.58	12.17	3.58	11.86	3.58
		15	10	13.04	3.18	12.73	3.24	12.42	3.31	12.11	3.34	11.80	3.34
20	15	11.09	2.21	10.82	2.30	10.56	2.30	10.30	2.30	10.03	2.30		

● Indoor unit : 7000Btu + 9000Btu + 9000Btu + 9000Btu

			Indoor temperature										
			16°CDB		18°CDB		20°CDB		22°CDB		24°CDB		
7+9+9+9	Outdoor temperature	(°CDB)	(°CWB)	TC	IP	TC	IP	TC	IP	TC	IP	TC	IP
		-10	-11	7.88	3.23	7.69	3.30	7.50	3.36	7.32	3.43	7.13	3.50
		-5	-7	8.70	3.33	8.50	3.40	8.29	3.47	8.08	3.54	7.87	3.58
		0	-2	9.88	3.40	9.64	3.47	9.41	3.54	9.17	3.58	8.94	3.58
		5	3	10.94	3.40	10.68	3.47	10.42	3.54	10.16	3.58	9.90	3.58
		7	6	11.76	3.40	11.48	3.47	11.20	3.54	10.92	3.58	10.64	3.58
		10	8	12.23	3.40	11.94	3.47	11.65	3.54	11.36	3.58	11.07	3.58
		15	10	12.17	3.16	11.88	3.23	11.59	3.29	11.30	3.34	11.01	3.34
20	15	10.35	2.21	10.10	2.30	9.86	2.30	9.61	2.30	9.36	2.30		

● Indoor unit : 7000Btu + 9000Btu + 9000Btu + 12000Btu

			Indoor temperature										
			16°CDB		18°CDB		20°CDB		22°CDB		24°CDB		
7+9+9+12	Outdoor temperature	(°CDB)	(°CWB)	TC	IP	TC	IP	TC	IP	TC	IP	TC	IP
		-10	-11	7.59	3.13	7.41	3.19	7.23	3.26	7.05	3.32	6.87	3.39
		-5	-7	8.54	3.26	8.34	3.33	8.14	3.40	7.93	3.47	7.73	3.54
		0	-2	9.85	3.44	9.61	3.51	9.38	3.58	9.14	3.58	8.91	3.58
		5	3	11.09	3.44	10.83	3.51	10.57	3.58	10.30	3.58	10.04	3.58
		7	6	11.87	3.44	11.58	3.51	11.30	3.58	11.02	3.58	10.74	3.58
		10	8	12.34	3.44	12.05	3.51	11.75	3.58	11.46	3.58	11.16	3.58
		15	10	12.28	3.20	11.99	3.26	11.70	3.33	11.40	3.34	11.11	3.34
20	15	10.44	2.21	10.19	2.30	9.94	2.30	9.70	2.30	9.45	2.30		

TC : Total Capacity (kW)
IP : Input Power (kW)

● Indoor unit : 7000Btu + 9000Btu + 9000Btu + 14000Btu

			Indoor temperature										
			16°CDB		18°CDB		20°CDB		22°CDB		24°CDB		
7+9+9+14	Outdoor temperature	(°CDB)	(°CWB)	TC	IP	TC	IP	TC	IP	TC	IP	TC	IP
		-10	-11	7.73	3.13	7.54	3.19	7.36	3.26	7.18	3.32	6.99	3.39
		-5	-7	8.69	3.26	8.49	3.33	8.28	3.40	8.07	3.47	7.87	3.54
		0	-2	10.02	3.44	9.78	3.51	9.55	3.58	9.31	3.58	9.07	3.58
		5	3	11.29	3.44	11.02	3.51	10.75	3.58	10.48	3.58	10.21	3.58
		7	6	12.08	3.44	11.79	3.51	11.50	3.58	11.21	3.58	10.93	3.58
		10	8	12.56	3.44	12.26	3.51	11.96	3.58	11.66	3.58	11.36	3.58
		15	10	12.50	3.20	12.20	3.26	11.90	3.33	11.60	3.34	11.31	3.34
20	15	10.63	2.21	10.37	2.30	10.12	2.30	9.87	2.30	9.61	2.30		

● Indoor unit : 7000Btu + 9000Btu + 9000Btu + 18000Btu

			Indoor temperature										
			16°CDB		18°CDB		20°CDB		22°CDB		24°CDB		
7+9+9+18	Outdoor temperature	(°CDB)	(°CWB)	TC	IP	TC	IP	TC	IP	TC	IP	TC	IP
		-10	-11	8.06	3.13	7.87	3.19	7.68	3.26	7.49	3.32	7.30	3.39
		-5	-7	9.07	3.26	8.86	3.33	8.64	3.40	8.42	3.47	8.21	3.54
		0	-2	10.46	3.44	10.21	3.51	9.96	3.58	9.71	3.58	9.46	3.58
		5	3	11.78	3.44	11.50	3.51	11.22	3.58	10.94	3.58	10.66	3.58
		7	6	12.60	3.44	12.30	3.51	12.00	3.58	11.70	3.58	11.40	3.58
		10	8	13.10	3.44	12.79	3.51	12.48	3.58	12.17	3.58	11.86	3.58
		15	10	13.04	3.20	12.73	3.26	12.42	3.33	12.11	3.34	11.80	3.34
20	15	11.09	2.21	10.82	2.30	10.56	2.30	10.30	2.30	10.03	2.30		

● Indoor unit : 7000Btu + 9000Btu + 12000Btu + 12000Btu

			Indoor temperature										
			16°CDB		18°CDB		20°CDB		22°CDB		24°CDB		
7+9+12+12	Outdoor temperature	(°CDB)	(°CWB)	TC	IP	TC	IP	TC	IP	TC	IP	TC	IP
		-10	-11	7.66	3.13	7.48	3.19	7.30	3.26	7.11	3.32	6.93	3.39
		-5	-7	8.62	3.26	8.41	3.33	8.21	3.40	8.00	3.47	7.80	3.54
		0	-2	9.94	3.44	9.70	3.51	9.46	3.58	9.23	3.58	8.99	3.58
		5	3	11.19	3.44	10.93	3.51	10.66	3.58	10.39	3.58	10.13	3.58
		7	6	11.97	3.44	11.69	3.51	11.40	3.58	11.12	3.58	10.83	3.58
		10	8	12.45	3.44	12.15	3.51	11.86	3.58	11.56	3.58	11.26	3.58
		15	10	12.39	3.20	12.09	3.26	11.80	3.33	11.50	3.34	11.21	3.34
20	15	10.53	2.21	10.28	2.30	10.03	2.30	9.78	2.30	9.53	2.30		

● Indoor unit : 7000Btu + 9000Btu + 12000Btu + 14000Btu

			Indoor temperature										
			16°CDB		18°CDB		20°CDB		22°CDB		24°CDB		
7+9+12+14	Outdoor temperature	(°CDB)	(°CWB)	TC	IP	TC	IP	TC	IP	TC	IP	TC	IP
		-10	-11	7.80	3.13	7.61	3.19	7.42	3.26	7.24	3.32	7.05	3.39
		-5	-7	8.77	3.26	8.56	3.33	8.35	3.40	8.14	3.47	7.93	3.54
		0	-2	10.11	3.44	9.87	3.51	9.63	3.58	9.39	3.58	9.15	3.58
		5	3	11.39	3.44	11.12	3.51	10.85	3.58	10.57	3.58	10.30	3.58
		7	6	12.18	3.44	11.89	3.51	11.60	3.58	11.31	3.58	11.02	3.58
		10	8	12.67	3.44	12.37	3.51	12.06	3.58	11.76	3.58	11.46	3.58
		15	10	12.61	3.20	12.31	3.26	12.01	3.33	11.71	3.34	11.41	3.34
20	15	10.72	2.21	10.46	2.30	10.21	2.30	9.95	2.30	9.70	2.30		

TC : Total Capacity (kW)
IP : Input Power (kW)

● Indoor unit : 7000Btu + 9000Btu + 12000Btu + 18000Btu

			Indoor temperature										
			16°CDB		18°CDB		20°CDB		22°CDB		24°CDB		
7+9+12+18	Outdoor temperature	(°CDB)	(°CWB)	TC	IP	TC	IP	TC	IP	TC	IP	TC	IP
		-10	-11	8.06	3.13	7.87	3.19	7.68	3.26	7.49	3.32	7.30	3.39
		-5	-7	9.07	3.26	8.86	3.33	8.64	3.40	8.42	3.47	8.21	3.54
		0	-2	10.46	3.44	10.21	3.51	9.96	3.58	9.71	3.58	9.46	3.58
		5	3	11.78	3.44	11.50	3.51	11.22	3.58	10.94	3.58	10.66	3.58
		7	6	12.60	3.44	12.30	3.51	12.00	3.58	11.70	3.58	11.40	3.58
		10	8	13.10	3.44	12.79	3.51	12.48	3.58	12.17	3.58	11.86	3.58
		15	10	13.04	3.20	12.73	3.26	12.42	3.33	12.11	3.34	11.80	3.34
20	15	11.09	2.21	10.82	2.30	10.56	2.30	10.30	2.30	10.03	2.30		

● Indoor unit : 7000Btu + 9000Btu + 14000Btu + 14000Btu

			Indoor temperature										
			16°CDB		18°CDB		20°CDB		22°CDB		24°CDB		
7+9+14+14	Outdoor temperature	(°CDB)	(°CWB)	TC	IP	TC	IP	TC	IP	TC	IP	TC	IP
		-10	-11	7.93	3.13	7.74	3.19	7.55	3.26	7.36	3.32	7.17	3.39
		-5	-7	8.92	3.26	8.71	3.33	8.50	3.40	8.28	3.47	8.07	3.54
		0	-2	10.28	3.44	10.04	3.51	9.79	3.58	9.55	3.58	9.30	3.58
		5	3	11.58	3.44	11.31	3.51	11.03	3.58	10.76	3.58	10.48	3.58
		7	6	12.39	3.44	12.10	3.51	11.80	3.58	11.51	3.58	11.21	3.58
		10	8	12.89	3.44	12.58	3.51	12.27	3.58	11.97	3.58	11.66	3.58
		15	10	12.82	3.20	12.52	3.26	12.21	3.33	11.91	3.34	11.60	3.34
20	15	10.90	2.21	10.64	2.30	10.38	2.30	10.12	2.30	9.86	2.30		

● Indoor unit : 7000Btu + 9000Btu + 14000Btu + 18000Btu

			Indoor temperature										
			16°CDB		18°CDB		20°CDB		22°CDB		24°CDB		
7+9+14+18	Outdoor temperature	(°CDB)	(°CWB)	TC	IP	TC	IP	TC	IP	TC	IP	TC	IP
		-10	-11	8.06	3.13	7.87	3.19	7.68	3.26	7.49	3.32	7.30	3.39
		-5	-7	9.07	3.26	8.86	3.33	8.64	3.40	8.42	3.47	8.21	3.54
		0	-2	10.46	3.44	10.21	3.51	9.96	3.58	9.71	3.58	9.46	3.58
		5	3	11.78	3.44	11.50	3.51	11.22	3.58	10.94	3.58	10.66	3.58
		7	6	12.60	3.44	12.30	3.51	12.00	3.58	11.70	3.58	11.40	3.58
		10	8	13.10	3.44	12.79	3.51	12.48	3.58	12.17	3.58	11.86	3.58
		15	10	13.04	3.20	12.73	3.26	12.42	3.33	12.11	3.34	11.80	3.34
20	15	11.09	2.21	10.82	2.30	10.56	2.30	10.30	2.30	10.03	2.30		

● Indoor unit : 7000Btu + 12000Btu + 12000Btu + 12000Btu

			Indoor temperature										
			16°CDB		18°CDB		20°CDB		22°CDB		24°CDB		
7+12+12+12	Outdoor temperature	(°CDB)	(°CWB)	TC	IP	TC	IP	TC	IP	TC	IP	TC	IP
		-10	-11	7.73	3.13	7.54	3.19	7.36	3.26	7.18	3.32	6.99	3.39
		-5	-7	8.69	3.26	8.49	3.33	8.28	3.40	8.07	3.47	7.87	3.54
		0	-2	10.02	3.44	9.78	3.51	9.55	3.58	9.31	3.58	9.07	3.58
		5	3	11.29	3.44	11.02	3.51	10.75	3.58	10.48	3.58	10.21	3.58
		7	6	12.08	3.44	11.79	3.51	11.50	3.58	11.21	3.58	10.93	3.58
		10	8	12.56	3.44	12.26	3.51	11.96	3.58	11.66	3.58	11.36	3.58
		15	10	12.50	3.20	12.20	3.26	11.90	3.33	11.60	3.34	11.31	3.34
20	15	10.63	2.21	10.37	2.30	10.12	2.30	9.87	2.30	9.61	2.30		

TC : Total Capacity (kW)
IP : Input Power (kW)

● Indoor unit : 7000Btu + 12000Btu + 12000Btu + 14000Btu

			Indoor temperature										
			16°CDB		18°CDB		20°CDB		22°CDB		24°CDB		
7+12+12+14	Outdoor temperature	(°CDB)	(°CWB)	TC	IP	TC	IP	TC	IP	TC	IP	TC	IP
		-10	-11	7.86	3.13	7.68	3.19	7.49	3.26	7.30	3.32	7.11	3.39
		-5	-7	8.85	3.26	8.63	3.33	8.42	3.40	8.21	3.47	8.00	3.54
		0	-2	10.20	3.44	9.95	3.51	9.71	3.58	9.47	3.58	9.23	3.58
		5	3	11.49	3.44	11.21	3.51	10.94	3.58	10.67	3.58	10.39	3.58
		7	6	12.29	3.44	11.99	3.51	11.70	3.58	11.41	3.58	11.12	3.58
		10	8	12.78	3.44	12.47	3.51	12.17	3.58	11.86	3.58	11.56	3.58
		15	10	12.71	3.20	12.41	3.26	12.11	3.33	11.81	3.34	11.50	3.34
20	15	10.81	2.21	10.55	2.30	10.30	2.30	10.04	2.30	9.78	2.30		

● Indoor unit : 7000Btu + 12000Btu + 12000Btu + 18000Btu

			Indoor temperature										
			16°CDB		18°CDB		20°CDB		22°CDB		24°CDB		
7+12+12+18	Outdoor temperature	(°CDB)	(°CWB)	TC	IP	TC	IP	TC	IP	TC	IP	TC	IP
		-10	-11	8.06	3.11	7.87	3.17	7.68	3.24	7.49	3.30	7.30	3.37
		-5	-7	9.07	3.25	8.86	3.31	8.64	3.38	8.42	3.45	8.21	3.52
		0	-2	10.46	3.42	10.21	3.49	9.96	3.56	9.71	3.58	9.46	3.58
		5	3	11.78	3.44	11.50	3.51	11.22	3.58	10.94	3.58	10.66	3.58
		7	6	12.60	3.44	12.30	3.51	12.00	3.58	11.70	3.58	11.40	3.58
		10	8	13.10	3.44	12.79	3.51	12.48	3.58	12.17	3.58	11.86	3.58
		15	10	13.04	3.18	12.73	3.24	12.42	3.31	12.11	3.34	11.80	3.34
20	15	11.09	2.21	10.82	2.30	10.56	2.30	10.30	2.30	10.03	2.30		

● Indoor unit : 7000Btu + 12000Btu + 14000Btu + 14000Btu

			Indoor temperature										
			16°CDB		18°CDB		20°CDB		22°CDB		24°CDB		
7+12+14+14	Outdoor temperature	(°CDB)	(°CWB)	TC	IP	TC	IP	TC	IP	TC	IP	TC	IP
		-10	-11	8.00	3.13	7.81	3.19	7.62	3.26	7.43	3.32	7.24	3.39
		-5	-7	9.00	3.26	8.78	3.33	8.57	3.40	8.35	3.47	8.14	3.54
		0	-2	10.37	3.44	10.12	3.51	9.88	3.58	9.63	3.58	9.38	3.58
		5	3	11.68	3.44	11.40	3.51	11.13	3.58	10.85	3.58	10.57	3.58
		7	6	12.50	3.44	12.20	3.51	11.90	3.58	11.60	3.58	11.31	3.58
		10	8	12.99	3.44	12.69	3.51	12.38	3.58	12.07	3.58	11.76	3.58
		15	10	12.93	3.20	12.62	3.26	12.32	3.33	12.01	3.34	11.70	3.34
20	15	11.00	2.21	10.73	2.30	10.47	2.30	10.21	2.30	9.95	2.30		

● Indoor unit : 9000Btu + 9000Btu + 9000Btu + 9000Btu

			Indoor temperature										
			16°CDB		18°CDB		20°CDB		22°CDB		24°CDB		
9+9+9+9	Outdoor temperature	(°CDB)	(°CWB)	TC	IP	TC	IP	TC	IP	TC	IP	TC	IP
		-10	-11	7.95	3.26	7.76	3.33	7.57	3.40	7.38	3.47	7.19	3.54
		-5	-7	8.78	3.37	8.57	3.44	8.36	3.51	8.15	3.58	7.94	3.58
		0	-2	9.97	3.44	9.73	3.51	9.49	3.58	9.25	3.58	9.02	3.58
		5	3	11.03	3.44	10.77	3.51	10.51	3.58	10.25	3.58	9.98	3.58
		7	6	11.87	3.44	11.58	3.51	11.30	3.58	11.02	3.58	10.74	3.58
		10	8	12.34	3.44	12.05	3.51	11.75	3.58	11.46	3.58	11.16	3.58
		15	10	12.28	3.20	11.99	3.26	11.70	3.33	11.40	3.34	11.11	3.34
20	15	10.44	2.21	10.19	2.30	9.94	2.30	9.70	2.30	9.45	2.30		

TC : Total Capacity (kW)
IP : Input Power (kW)

● Indoor unit : 9000Btu + 9000Btu + 9000Btu + 12000Btu

			Indoor temperature										
			16°CDB		18°CDB		20°CDB		22°CDB		24°CDB		
9+9+9+12	Outdoor temperature	(°CDB)	(°CWB)	TC	IP	TC	IP	TC	IP	TC	IP	TC	IP
		-10	-11	7.66	3.13	7.48	3.19	7.30	3.26	7.11	3.32	6.93	3.39
		-5	-7	8.62	3.26	8.41	3.33	8.21	3.40	8.00	3.47	7.80	3.54
		0	-2	9.94	3.44	9.70	3.51	9.46	3.58	9.23	3.58	8.99	3.58
		5	3	11.19	3.44	10.93	3.51	10.66	3.58	10.39	3.58	10.13	3.58
		7	6	11.97	3.44	11.69	3.51	11.40	3.58	11.12	3.58	10.83	3.58
		10	8	12.45	3.44	12.15	3.51	11.86	3.58	11.56	3.58	11.26	3.58
		15	10	12.39	3.20	12.09	3.26	11.80	3.33	11.50	3.34	11.21	3.34
20	15	10.53	2.21	10.28	2.30	10.03	2.30	9.78	2.30	9.53	2.30		

● Indoor unit : 9000Btu + 9000Btu + 9000Btu + 14000Btu

			Indoor temperature										
			16°CDB		18°CDB		20°CDB		22°CDB		24°CDB		
9+9+9+14	Outdoor temperature	(°CDB)	(°CWB)	TC	IP	TC	IP	TC	IP	TC	IP	TC	IP
		-10	-11	7.80	3.13	7.61	3.19	7.42	3.26	7.24	3.32	7.05	3.39
		-5	-7	8.77	3.26	8.56	3.33	8.35	3.40	8.14	3.47	7.93	3.54
		0	-2	10.11	3.44	9.87	3.51	9.63	3.58	9.39	3.58	9.15	3.58
		5	3	11.39	3.44	11.12	3.51	10.85	3.58	10.57	3.58	10.30	3.58
		7	6	12.18	3.44	11.89	3.51	11.60	3.58	11.31	3.58	11.02	3.58
		10	8	12.67	3.44	12.37	3.51	12.06	3.58	11.76	3.58	11.46	3.58
		15	10	12.61	3.20	12.31	3.26	12.01	3.33	11.71	3.34	11.41	3.34
20	15	10.72	2.21	10.46	2.30	10.21	2.30	9.95	2.30	9.70	2.30		

● Indoor unit* : 9000Btu + 9000Btu + 9000Btu + 18000Btu

			Indoor temperature										
			16°CDB		18°CDB		20°CDB		22°CDB		24°CDB		
9+9+9+18	Outdoor temperature	(°CDB)	(°CWB)	TC	IP	TC	IP	TC	IP	TC	IP	TC	IP
		-10	-11	8.06	3.13	7.87	3.19	7.68	3.26	7.49	3.32	7.30	3.39
		-5	-7	9.07	3.26	8.86	3.33	8.64	3.40	8.42	3.47	8.21	3.54
		0	-2	10.46	3.44	10.21	3.51	9.96	3.58	9.71	3.58	9.46	3.58
		5	3	11.78	3.44	11.50	3.51	11.22	3.58	10.94	3.58	10.66	3.58
		7	6	12.60	3.44	12.30	3.51	12.00	3.58	11.70	3.58	11.40	3.58
		10	8	13.10	3.44	12.79	3.51	12.48	3.58	12.17	3.58	11.86	3.58
		15	10	13.04	3.20	12.73	3.26	12.42	3.33	12.11	3.34	11.80	3.34
20	15	11.09	2.21	10.82	2.30	10.56	2.30	10.30	2.30	10.03	2.30		

* : The pattern including " AR*G09L + AR*G09L + AR*G09L + AS*G18L " can not be connected.

● Indoor unit : 9000Btu + 9000Btu + 12000Btu + 12000Btu

			Indoor temperature										
			16°CDB		18°CDB		20°CDB		22°CDB		24°CDB		
9+9+12+12	Outdoor temperature	(°CDB)	(°CWB)	TC	IP	TC	IP	TC	IP	TC	IP	TC	IP
		-10	-11	7.73	3.13	7.54	3.19	7.36	3.26	7.18	3.32	6.99	3.39
		-5	-7	8.69	3.26	8.49	3.33	8.28	3.40	8.07	3.47	7.87	3.54
		0	-2	10.02	3.44	9.78	3.51	9.55	3.58	9.31	3.58	9.07	3.58
		5	3	11.29	3.44	11.02	3.51	10.75	3.58	10.48	3.58	10.21	3.58
		7	6	12.08	3.44	11.79	3.51	11.50	3.58	11.21	3.58	10.93	3.58
		10	8	12.56	3.44	12.26	3.51	11.96	3.58	11.66	3.58	11.36	3.58
		15	10	12.50	3.20	12.20	3.26	11.90	3.33	11.60	3.34	11.31	3.34
20	15	10.63	2.21	10.37	2.30	10.12	2.30	9.87	2.30	9.61	2.30		

TC : Total Capacity (kW)
IP : Input Power (kW)

● Indoor unit : 9000Btu + 9000Btu + 12000Btu + 14000Btu

			Indoor temperature										
			16°CDB		18°CDB		20°CDB		22°CDB		24°CDB		
9+9+12+14	Outdoor temperature	(°CDB)	(°CWB)	TC	IP	TC	IP	TC	IP	TC	IP	TC	IP
		-10	-11	7.86	3.13	7.68	3.19	7.49	3.26	7.30	3.32	7.11	3.39
		-5	-7	8.85	3.26	8.63	3.33	8.42	3.40	8.21	3.47	8.00	3.54
		0	-2	10.20	3.44	9.95	3.51	9.71	3.58	9.47	3.58	9.23	3.58
		5	3	11.49	3.44	11.21	3.51	10.94	3.58	10.67	3.58	10.39	3.58
		7	6	12.29	3.44	11.99	3.51	11.70	3.58	11.41	3.58	11.12	3.58
		10	8	12.78	3.44	12.47	3.51	12.17	3.58	11.86	3.58	11.56	3.58
		15	10	12.71	3.20	12.41	3.26	12.11	3.33	11.81	3.34	11.50	3.34
20	15	10.81	2.21	10.55	2.30	10.30	2.30	10.04	2.30	9.78	2.30		

● Indoor unit* : 9000Btu + 9000Btu + 12000Btu + 18000Btu

			Indoor temperature										
			16°CDB		18°CDB		20°CDB		22°CDB		24°CDB		
9+9+12+18	Outdoor temperature	(°CDB)	(°CWB)	TC	IP	TC	IP	TC	IP	TC	IP	TC	IP
		-10	-11	8.06	3.13	7.87	3.19	7.68	3.26	7.49	3.32	7.30	3.39
		-5	-7	9.07	3.26	8.86	3.33	8.64	3.40	8.42	3.47	8.21	3.54
		0	-2	10.46	3.44	10.21	3.51	9.96	3.58	9.71	3.58	9.46	3.58
		5	3	11.78	3.44	11.50	3.51	11.22	3.58	10.94	3.58	10.66	3.58
		7	6	12.60	3.44	12.30	3.51	12.00	3.58	11.70	3.58	11.40	3.58
		10	8	13.10	3.44	12.79	3.51	12.48	3.58	12.17	3.58	11.86	3.58
		15	10	13.04	3.20	12.73	3.26	12.42	3.33	12.11	3.34	11.80	3.34
20	15	11.09	2.21	10.82	2.30	10.56	2.30	10.30	2.30	10.03	2.30		

* : The pattern including " AR*G09L + AR*G09L + AR*G12L + AS*G18L " can not be connected.

● Indoor unit : 9000Btu + 9000Btu + 14000Btu + 14000Btu

			Indoor temperature										
			16°CDB		18°CDB		20°CDB		22°CDB		24°CDB		
9+9+14+14	Outdoor temperature	(°CDB)	(°CWB)	TC	IP	TC	IP	TC	IP	TC	IP	TC	IP
		-10	-11	8.00	3.13	7.81	3.19	7.62	3.26	7.43	3.32	7.24	3.39
		-5	-7	9.00	3.26	8.78	3.33	8.57	3.40	8.35	3.47	8.14	3.54
		0	-2	10.37	3.44	10.12	3.51	9.88	3.58	9.63	3.58	9.38	3.58
		5	3	11.68	3.44	11.40	3.51	11.13	3.58	10.85	3.58	10.57	3.58
		7	6	12.50	3.44	12.20	3.51	11.90	3.58	11.60	3.58	11.31	3.58
		10	8	12.99	3.44	12.69	3.51	12.38	3.58	12.07	3.58	11.76	3.58
		15	10	12.93	3.20	12.62	3.26	12.32	3.33	12.01	3.34	11.70	3.34
20	15	11.00	2.21	10.73	2.30	10.47	2.30	10.21	2.30	9.95	2.30		

● Indoor unit : 9000Btu + 12000Btu + 12000Btu + 12000Btu

			Indoor temperature										
			16°CDB		18°CDB		20°CDB		22°CDB		24°CDB		
9+12+12+12	Outdoor temperature	(°CDB)	(°CWB)	TC	IP	TC	IP	TC	IP	TC	IP	TC	IP
		-10	-11	7.80	3.13	7.61	3.19	7.42	3.26	7.24	3.32	7.05	3.39
		-5	-7	8.77	3.26	8.56	3.33	8.35	3.40	8.14	3.47	7.93	3.54
		0	-2	10.11	3.44	9.87	3.51	9.63	3.58	9.39	3.58	9.15	3.58
		5	3	11.39	3.44	11.12	3.51	10.85	3.58	10.57	3.58	10.30	3.58
		7	6	12.18	3.44	11.89	3.51	11.60	3.58	11.31	3.58	11.02	3.58
		10	8	12.67	3.44	12.37	3.51	12.06	3.58	11.76	3.58	11.46	3.58
		15	10	12.61	3.20	12.31	3.26	12.01	3.33	11.71	3.34	11.41	3.34
20	15	10.72	2.21	10.46	2.30	10.21	2.30	9.95	2.30	9.70	2.30		

TC : Total Capacity (kW)
IP : Input Power (kW)

● Indoor unit : 9000Btu + 12000Btu + 12000Btu + 14000Btu

			Indoor temperature										
			16°CDB		18°CDB		20°CDB		22°CDB		24°CDB		
9+12+12+14	Outdoor temperature	(°CDB)	(°CWB)	TC	IP	TC	IP	TC	IP	TC	IP	TC	IP
		-10	-11	7.93	3.13	7.74	3.19	7.55	3.26	7.36	3.32	7.17	3.39
		-5	-7	8.92	3.26	8.71	3.33	8.50	3.40	8.28	3.47	8.07	3.54
		0	-2	10.28	3.44	10.04	3.51	9.79	3.58	9.55	3.58	9.30	3.58
		5	3	11.58	3.44	11.31	3.51	11.03	3.58	10.76	3.58	10.48	3.58
		7	6	12.39	3.44	12.10	3.51	11.80	3.58	11.51	3.58	11.21	3.58
		10	8	12.89	3.44	12.58	3.51	12.27	3.58	11.97	3.58	11.66	3.58
		15	10	12.82	3.20	12.52	3.26	12.21	3.33	11.91	3.34	11.60	3.34
20	15	10.90	2.21	10.64	2.30	10.38	2.30	10.12	2.30	9.86	2.30		

● Indoor unit : 9000Btu + 12000Btu + 14000Btu + 14000Btu

			Indoor temperature										
			16°CDB		18°CDB		20°CDB		22°CDB		24°CDB		
9+12+14+14	Outdoor temperature	(°CDB)	(°CWB)	TC	IP	TC	IP	TC	IP	TC	IP	TC	IP
		-10	-11	8.00	3.13	7.81	3.19	7.62	3.26	7.43	3.32	7.24	3.39
		-5	-7	9.00	3.26	8.78	3.33	8.57	3.40	8.35	3.47	8.14	3.54
		0	-2	10.37	3.44	10.12	3.51	9.88	3.58	9.63	3.58	9.38	3.58
		5	3	11.68	3.44	11.40	3.51	11.13	3.58	10.85	3.58	10.57	3.58
		7	6	12.50	3.44	12.20	3.51	11.90	3.58	11.60	3.58	11.31	3.58
		10	8	12.99	3.44	12.69	3.51	12.38	3.58	12.07	3.58	11.76	3.58
		15	10	12.93	3.20	12.62	3.26	12.32	3.33	12.01	3.34	11.70	3.34
20	15	11.00	2.21	10.73	2.30	10.47	2.30	10.21	2.30	9.95	2.30		

● Indoor unit : 12000Btu + 12000Btu + 12000Btu + 12000Btu

			Indoor temperature										
			16°CDB		18°CDB		20°CDB		22°CDB		24°CDB		
12+12+12+12	Outdoor temperature	(°CDB)	(°CWB)	TC	IP	TC	IP	TC	IP	TC	IP	TC	IP
		-10	-11	7.80	3.13	7.61	3.19	7.42	3.26	7.24	3.32	7.05	3.39
		-5	-7	8.77	3.26	8.56	3.33	8.35	3.40	8.14	3.47	7.93	3.54
		0	-2	10.11	3.44	9.87	3.51	9.63	3.58	9.39	3.58	9.15	3.58
		5	3	11.39	3.44	11.12	3.51	10.85	3.58	10.57	3.58	10.30	3.58
		7	6	12.18	3.44	11.89	3.51	11.60	3.58	11.31	3.58	11.02	3.58
		10	8	12.67	3.44	12.37	3.51	12.06	3.58	11.76	3.58	11.46	3.58
		15	10	12.61	3.20	12.31	3.26	12.01	3.33	11.71	3.34	11.41	3.34
20	15	10.72	2.21	10.46	2.30	10.21	2.30	9.95	2.30	9.70	2.30		

TC : Total Capacity (kW)
IP : Input Power (kW)

OUTDOOR UNIT
AO*G30L4

OUTDOOR UNIT
AO*G30L4

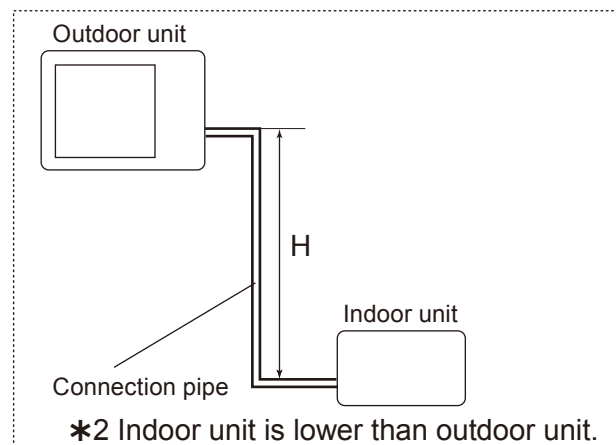
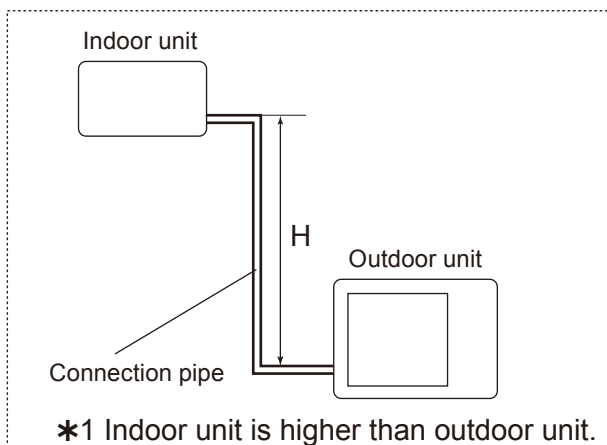
6. CAPACITY COMPENSATION RATE FOR PIPE LENGTH AND HEIGHT DEFFERENCE

■ INDOOR UNIT : 7000Btu (AO*G30L4)

COOLING			Pipe length (m)					
			5	7.5	10	15	20	25
Height difference H (m)	*1 Indoor unit is higher than outdoor unit.	15	-	-	-	0.955	0.941	0.927
		10	-	-	0.976	0.962	0.949	0.935
		7.5	-	0.988	0.980	0.966	0.952	0.939
		5	0.992	0.992	0.984	0.970	0.956	0.942
	0		1.000	1.000	0.992	0.978	0.964	0.950
	*2 Indoor unit is lower than outdoor unit	-5	1.000	1.000	0.992	0.978	0.964	0.950
		-7.5	-	1.000	0.992	0.978	0.964	0.950
		-10	-	-	0.992	0.978	0.964	0.950
-15		-	-	-	0.978	0.964	0.950	

HEATING			Pipe length (m)					
			5	7.5	10	15	20	25
Height difference H (m)	*1 Indoor unit is higher than outdoor unit.	15	-	-	-	0.976	0.957	0.938
		10	-	-	0.991	0.976	0.957	0.938
		7.5	-	1.000	0.991	0.976	0.957	0.938
		5	1.000	1.000	0.991	0.976	0.957	0.938
	0		1.000	1.000	0.991	0.976	0.957	0.938
	*2 Indoor unit is lower than outdoor unit	-5	0.995	0.995	0.986	0.971	0.952	0.933
		-7.5	-	0.993	0.984	0.969	0.950	0.931
		-10	-	-	0.981	0.966	0.947	0.929
-15		-	-	-	0.961	0.943	0.924	

Height difference H



OUTDOOR UNIT
AO*G30L4

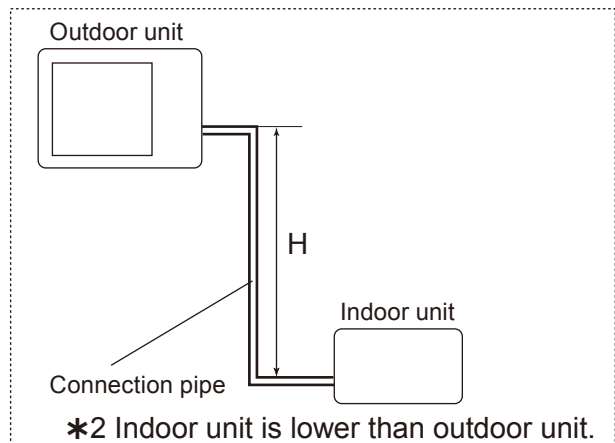
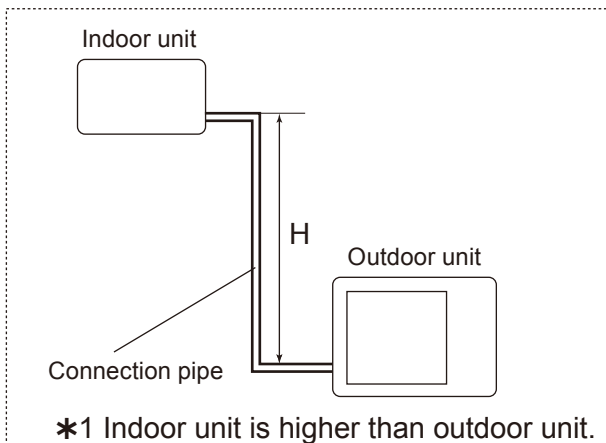
OUTDOOR UNIT
AO*G30L4

INDOOR UNIT : 9000Btu (AO*G30L4)

COOLING			Pipe length (m)					
			5	7.5	10	15	20	25
Height difference H (m)	*1 Indoor unit is higher than outdoor unit.	15	-	-	-	0.956	0.942	0.928
		10	-	-	0.977	0.963	0.950	0.936
		7.5	-	0.988	0.981	0.967	0.954	0.940
		5	0.992	0.992	0.985	0.971	0.957	0.943
	0		1.000	1.000	0.993	0.979	0.965	0.951
	*2 Indoor unit is lower than outdoor unit	-5	1.000	1.000	0.993	0.979	0.965	0.951
		-7.5	-	1.000	0.993	0.979	0.965	0.951
		-10	-	-	0.993	0.979	0.965	0.951
-15		-	-	-	0.979	0.965	0.951	

HEATING			Pipe length (m)					
			5	7.5	10	15	20	25
Height difference H (m)	*1 Indoor unit is higher than outdoor unit.	15	-	-	-	0.977	0.958	0.939
		10	-	-	0.993	0.977	0.958	0.939
		7.5	-	1.000	0.993	0.977	0.958	0.939
		5	1.000	1.000	0.993	0.977	0.958	0.939
	0		1.000	1.000	0.993	0.977	0.958	0.939
	*2 Indoor unit is lower than outdoor unit	-5	0.995	0.995	0.988	0.972	0.954	0.934
		-7.5	-	0.993	0.986	0.970	0.952	0.932
		-10	-	-	0.983	0.967	0.949	0.930
-15		-	-	-	0.962	0.944	0.925	

Height difference H

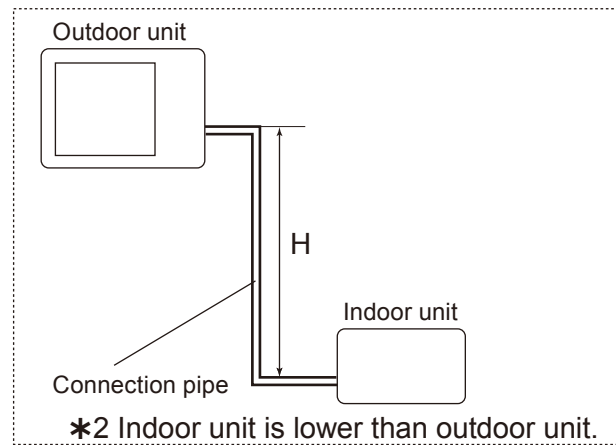
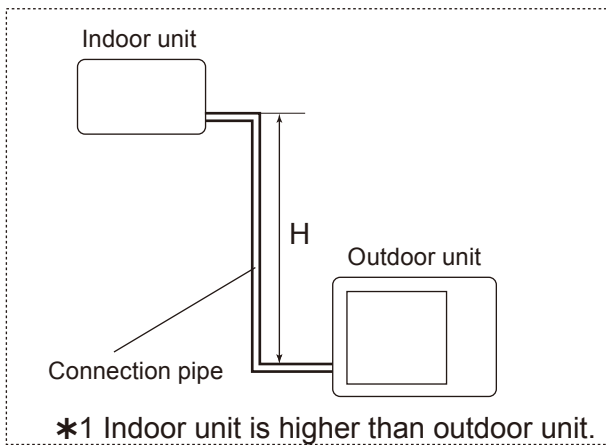


INDOOR UNIT : 12000Btu (AO*G30L4)

COOLING			Pipe length (m)					
			5	7.5	10	15	20	25
Height difference H (m)	*1 Indoor unit is higher than outdoor unit.	15	-	-	-	0.937	0.912	0.888
		10	-	-	0.970	0.944	0.919	0.896
		7.5	-	0.988	0.974	0.948	0.923	0.899
		5	0.992	0.992	0.978	0.952	0.927	0.903
	0		1.000	1.000	0.986	0.960	0.934	0.910
	*2 Indoor unit is lower than outdoor unit	-5	1.000	1.000	0.986	0.960	0.934	0.910
		-7.5	-	1.000	0.986	0.960	0.934	0.910
		-10	-	-	0.986	0.960	0.934	0.910
-15		-	-	-	0.960	0.934	0.910	

HEATING			Pipe length (m)					
			5	7.5	10	15	20	25
Height difference H (m)	*1 Indoor unit is higher than outdoor unit.	15	-	-	-	0.977	0.958	0.938
		10	-	-	0.993	0.977	0.958	0.938
		7.5	-	1.000	0.993	0.977	0.958	0.938
		5	1.000	1.000	0.993	0.977	0.958	0.938
	0		1.000	1.000	0.993	0.977	0.958	0.938
	*2 Indoor unit is lower than outdoor unit	-5	0.995	0.995	0.988	0.972	0.953	0.933
		-7.5	-	0.993	0.986	0.970	0.952	0.932
		-10	-	-	0.983	0.967	0.949	0.929
-15		-	-	-	0.962	0.944	0.924	

Height difference H



OUTDOOR UNIT
AO*G30L4

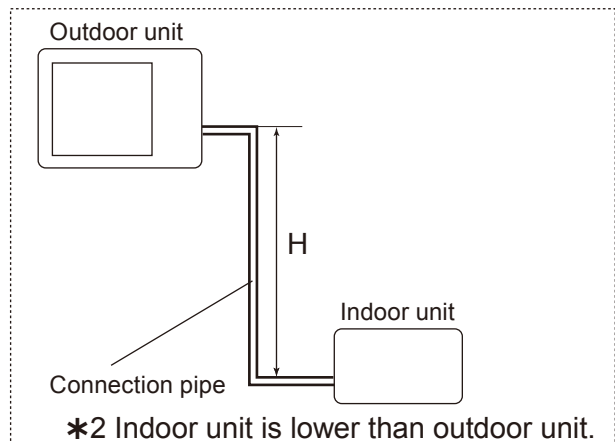
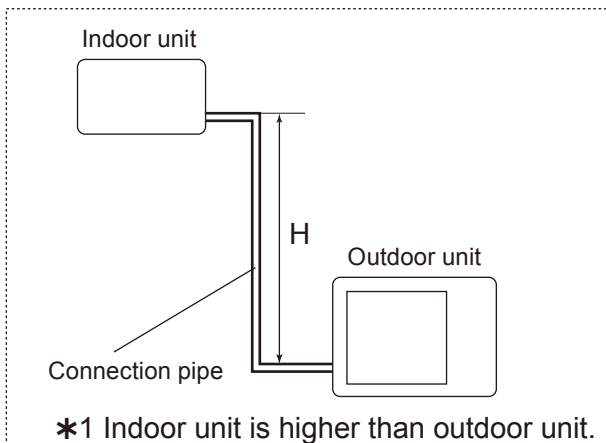
OUTDOOR UNIT
AO*G30L4

INDOOR UNIT : 14000Btu (AO*G30L4)

COOLING			Pipe length (m)					
			5	7.5	10	15	20	25
Height difference H (m)	*1 Indoor unit is higher than outdoor unit.	15	-	-	-	0.955	0.937	0.922
		10	-	-	0.974	0.962	0.945	0.930
		7.5	-	0.988	0.978	0.966	0.948	0.934
		5	0.992	0.992	0.982	0.970	0.952	0.937
	0		1.000	1.000	0.990	0.978	0.960	0.945
	*2 Indoor unit is lower than outdoor unit	-5	1.000	1.000	0.990	0.978	0.960	0.945
		-7.5	-	1.000	0.990	0.978	0.960	0.945
		-10	-	-	0.990	0.978	0.960	0.945
-15		-	-	-	0.978	0.960	0.945	

HEATING			Pipe length (m)					
			5	7.5	10	15	20	25
Height difference H (m)	*1 Indoor unit is higher than outdoor unit.	15	-	-	-	0.972	0.945	0.919
		10	-	-	0.992	0.972	0.945	0.919
		7.5	-	1.000	0.992	0.972	0.945	0.919
		5	1.000	1.000	0.992	0.972	0.945	0.919
	0		1.000	1.000	0.992	0.972	0.945	0.919
	*2 Indoor unit is lower than outdoor unit	-5	0.995	0.995	0.987	0.967	0.940	0.914
		-7.5	-	0.993	0.985	0.965	0.938	0.912
		-10	-	-	0.982	0.962	0.935	0.910
-15		-	-	-	0.957	0.930	0.905	

Height difference H

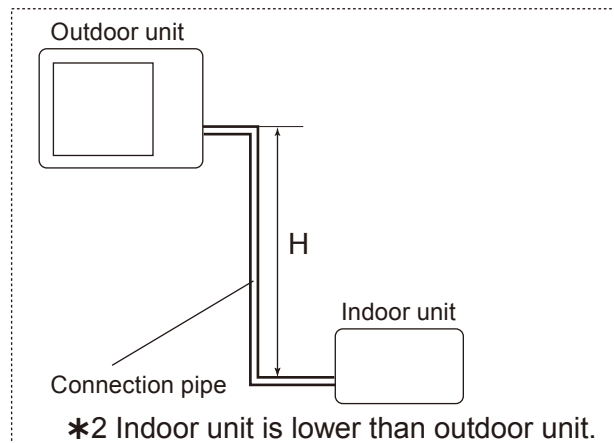
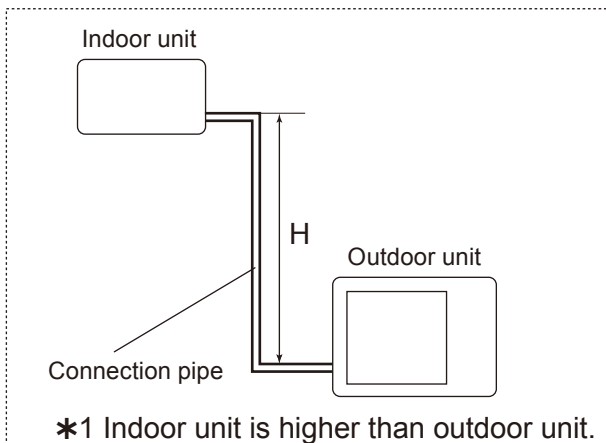


INDOOR UNIT : 18000Btu (AO*G30L4)

COOLING			Pipe length (m)					
			5	7.5	10	15	20	25
Height difference H (m)	*1 Indoor unit is higher than outdoor unit.	15	-	-	-	0.968	0.961	0.954
		10	-	-	0.982	0.976	0.969	0.962
		7.5	-	0.988	0.986	0.980	0.973	0.966
		5	0.992	0.992	0.990	0.984	0.977	0.970
	0		1.000	1.000	0.998	0.992	0.985	0.978
	*2 Indoor unit is lower than outdoor unit	-5	1.000	1.000	0.998	0.992	0.985	0.978
		-7.5	-	1.000	0.998	0.992	0.985	0.978
		-10	-	-	0.998	0.992	0.985	0.978
-15		-	-	-	0.992	0.985	0.978	

HEATING			Pipe length (m)					
			5	7.5	10	15	20	25
Height difference H (m)	*1 Indoor unit is higher than outdoor unit.	15	-	-	-	0.967	0.943	0.917
		10	-	-	0.990	0.967	0.943	0.917
		7.5	-	1.000	0.990	0.967	0.943	0.917
		5	1.000	1.000	0.990	0.967	0.943	0.917
	0		1.000	1.000	0.990	0.967	0.943	0.917
	*2 Indoor unit is lower than outdoor unit	-5	0.995	0.995	0.985	0.962	0.938	0.912
		-7.5	-	0.993	0.983	0.960	0.936	0.910
		-10	-	-	0.980	0.958	0.933	0.908
-15		-	-	-	0.953	0.929	0.903	

Height difference H

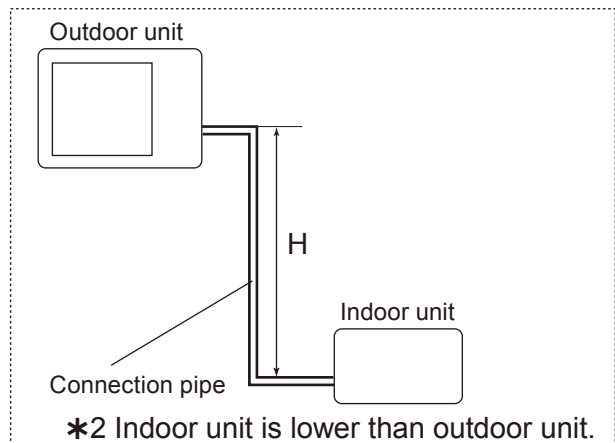
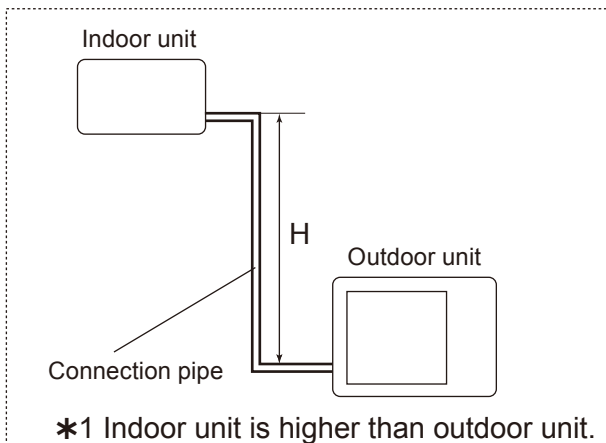


INDOOR UNIT : 24000Btu (AO*G30L4)

COOLING			Pipe length (m)					
			5	7.5	10	15	20	25
Height difference H (m)	*1 Indoor unit is higher than outdoor unit.	15	-	-	-	0.978	0.969	0.953
		10	-	-	0.986	0.986	0.977	0.961
		7.5	-	0.988	0.990	0.990	0.981	0.965
		5	0.992	0.992	0.994	0.994	0.984	0.968
	0		1.000	1.000	1.002	1.002	0.992	0.976
	*2 Indoor unit is lower than outdoor unit	-5	1.000	1.000	1.002	1.002	0.992	0.976
		-7.5	-	1.000	1.002	1.002	0.992	0.976
		-10	-	-	1.002	1.002	0.992	0.976
-15		-	-	-	1.002	0.992	0.976	

HEATING			Pipe length (m)					
			5	7.5	10	15	20	25
Height difference H (m)	*1 Indoor unit is higher than outdoor unit.	15	-	-	-	0.964	0.939	0.913
		10	-	-	0.988	0.964	0.939	0.913
		7.5	-	1.000	0.988	0.964	0.939	0.913
		5	1.000	1.000	0.988	0.964	0.939	0.913
	0		1.000	1.000	0.988	0.964	0.939	0.913
	*2 Indoor unit is lower than outdoor unit	-5	0.995	0.995	0.983	0.959	0.934	0.909
		-7.5	-	0.993	0.981	0.957	0.932	0.907
		-10	-	-	0.978	0.954	0.929	0.904
-15		-	-	-	0.949	0.925	0.899	

Height difference H



7. ADDITIONAL CHARGE CALCULATION

■ MODEL: AO*G30L4

Refrigerant type		R410A
Refrigerant amount	g	3300

● Refrigerant charge

Total pipe length	m	50 or less	60	70 (MAX.)	25g/m
Additional charge	g	0	250	500	

8. AIRFLOW

■ MODEL: AO*G30L4

● Cooling

Airflow	
m ³ /h	3500
l/s	972
CFM	2060

● Heating

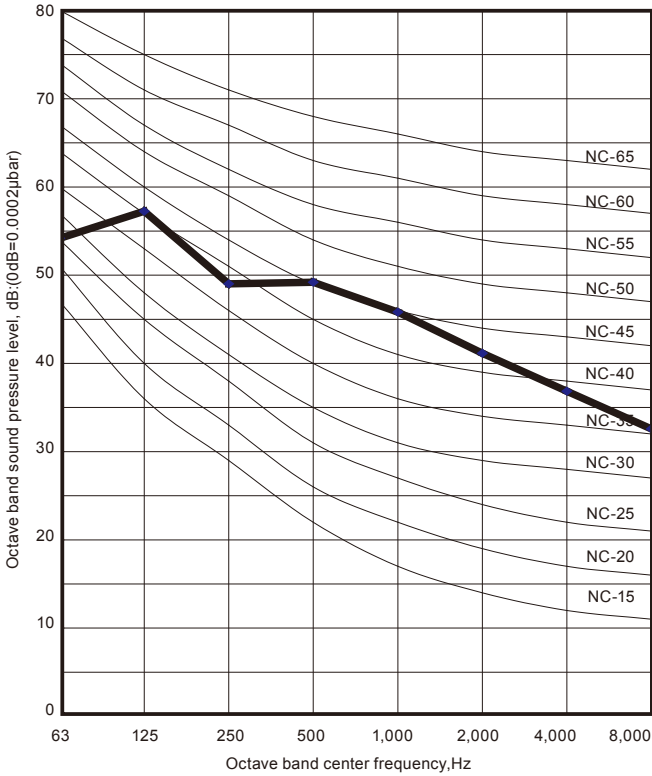
Airflow	
m ³ /h	3300
l/s	917
CFM	1942

9. OPERATION NOISE (SOUND PRESSURE)

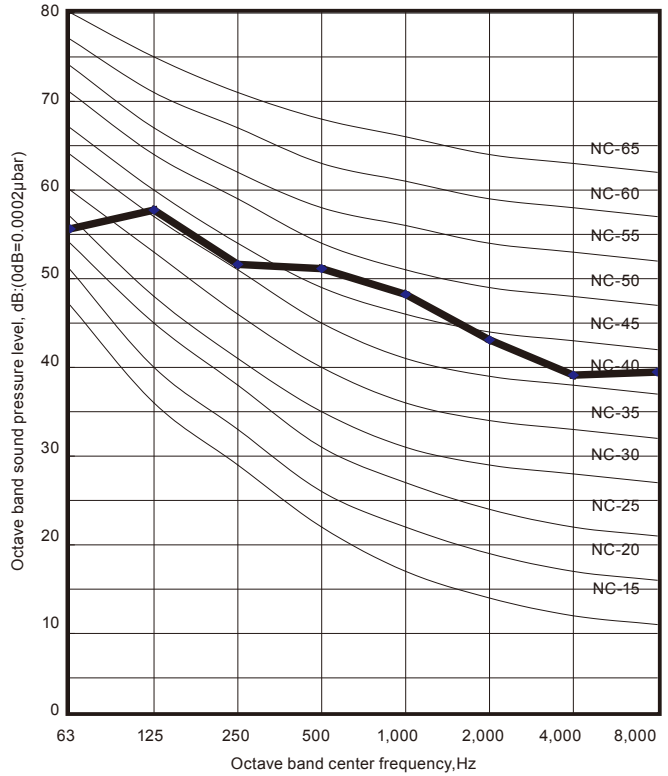
9-1. NOISE LEVEL CURVE

■ MODEL: AO*G30L4

● Cooling



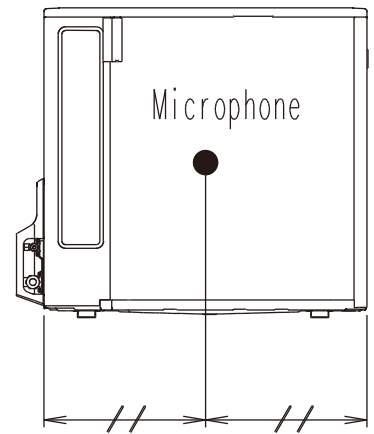
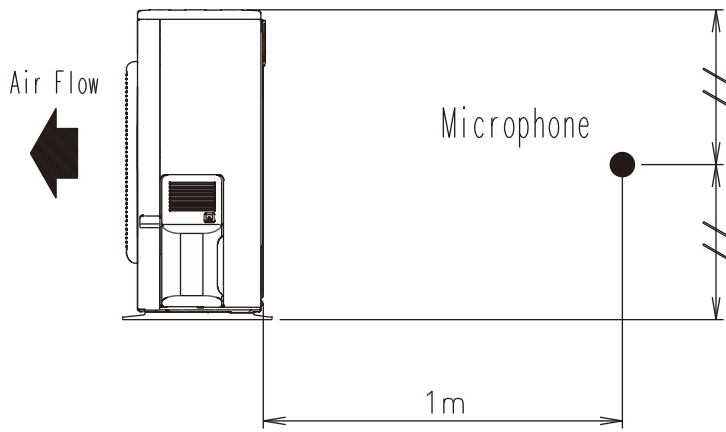
● Heating



OUTDOOR UNIT
AO*G30L4

OUTDOOR UNIT
AO*G30L4

9-2. SOUND LEVEL CHECK POINT



10. ELECTRIC CHARACTERISTICS

Model name		AO*G30L4	
Power supply	Voltage	V	230 ~
	Frequency	Hz	50
Max. operating current		A	15.7
Starting current		A	10.5
*1) Wiring spec.	Main fuse (Circuit breaker) current	A	25
	Power cable	mm ²	4.0
	*2) Limited wiring length	m	15

*1) Wiring spec.

Selected sample

(Selected based on Japan Electrotechnical Standard and Codes Committee E0005)

*2) Limited wiring length :

This is the wiring length in case voltage descent is less than 2%.

When the wiring length becomes long, please select the wiring of a more larger diameter.

11. SAFETY DEVICES

	Protection form		Model
			AO*G30L4
Circuit protection	Current fuse (MAIN PCB)		250V 5A
			250V 3.15A
	Current fuse (NEAR THE TERMINAL TO POWER SUPPLY)		250V 25A
	Current fuse (NEAR THE TERMINAL TO INDOOR UNIT)		250V 15A
Fan motor protection	Thermal protector	Activate	130±20°C Fan motor stop
		Reset	100±20°C Fan motor restart
Compressor protection	Thermal protector	Activate	125°C Compressor stop
		Reset	80°C Compressor restart
High pressure protection	Pressure switch (1)	Activate	4.2±0.10MPa Compressor stop
		Reset	3.2±0.15MPa Compressor restart

*Pressure switch (2) : For control device

12. INSTALLATION PRECAUTIONS

12-1. OUTDOOR UNIT INSTALLATION PRECAUTIONS

Note: The information listed below are general precautions.
Some models also include items that do not apply.

■ PLACES WHERE USE PROHIBITED

- Places where there is the danger of combustible gas leakage
- Places where sulfur gas, chlorine gas, acid, alkali, or other matter which effects equipment is generated
- Places not affected by heat radiation from other heat sources
- Places where the air is not stagnant
- Places where machinery which generates high frequencies is used
- Ocean beaches and other areas where there is a lot of salt
- Installation in vehicles, ships, and other conveyances
- Factory, etc. where voltage fluctuations are large

■ POINTS TO REMEMBER WHEN INSTALLING

- (1) The set shall be installed at a place which can withstand the weight and vibration of the outdoor unit
- (2) To allow maintenance after refrigerant piping, drain piping, and electric wiring connection and installation, provide an installation service space.
*Installation service space is shown on " INSTALLATION PLACE ".
- (3) Be careful when installing the set at the following places.

[Installation precautions]

	Contents	Countermeasures (Reference)
When installed near adjacent houses	Perform installation work so that operating sound does not disturb the neighbors.	(1) Install a soundproof barrier (2) Change the installation site
When there is the possibility of strong wind	(1) If the outdoor unit is exposed to strong wind, capacity may drop, frost may form during heating, and operation may be stopped by high pressure rise. In addition, when a very strong wind blows, the fan may be damaged. (2) When a very strong wind blows, there is the possibility of the outdoor unit being toppled over if held only by foundation bolts	(1) Install with the outlet side Keep a sufficient distance away from a facing wall or fence. (2) Make the outlet direction and wind direction perpendicular. (3) Fasten the outdoor unit using toppling prevention hardware (procured at the site).
When snow accumulates	If the outdoor unit is covered by accumulated snow, it may not be able to operate.	(1) Make the foundation as high as possible. (2) Perform snow prevention work.
When installing the inverter type	It may generate noise in TV sets, stereos and PCs.	(1) The inverter type should be installed at a sufficient distance from these equipments.