

AIR CONDITIONER

**4-unit multi-split type,
5-unit multi-split type**

DESIGN & TECHNICAL MANUAL

INDOOR



AUXG07-22KVLA



ARXG07-14KSLAP
ARXG18KSLAP



ARXG07-14KLLAP
ARXG18KLLAP



ARXG22KMLB



ARXH22KMTAP



ASYG07-14KGTB



ASYG07-14KGTE
ASYG07-14KGTG



ASYG18-24KMTB
ASYG18-24KMTE



ASYG07-14KMTB
ASYG07-14KMCC
ASYG07-14KMCE
ASYG07-14KMCF



ASYG07-14KETA
ASYG07-14KETE
ASYG07-14KETF
ASYG07-14KETA-B
ASYG07-14KETE-B
ASYG07-14KETF-B



ABYG18-22KRTA



AGYG09-14KVCA

OUTDOOR



AOYG30KBTA4
AOYG36KBTA5

Notices:

- Product specifications and design are subject to change without notice for future improvement.
- For further details, please check with our authorized dealer.

Trademarks

FGLair™ is trademark of FUJITSU GENERAL LIMITED in the United States, other countries or both.

“AIRSTAGE Mobile” is a trademark of FUJITSU GENERAL LIMITED.

Android and Google Play are trademarks of Google LLC.

App Store is a service mark of Apple Inc., registered in the U.S. and other countries.

IOS is a trademark or registered trademark of Cisco in the U.S. and other countries and is used under license.

CONTENTS

Part 1. INDOOR UNIT1

| | |
|---|------------|
| 1. Model lineup | 2 |
| 1-1. Indoor unit connection patterns | 4 |
| 2. Specifications | 11 |
| 2-1. Compact cassette type | 11 |
| 2-2. Mini duct type | 13 |
| 2-3. Slim duct type | 15 |
| 2-4. Medium static pressure duct type | 17 |
| 2-5. Wall mounted type | 19 |
| 2-6. Ceiling type | 31 |
| 2-7. Floor type | 32 |
| 3. Wireless LAN control (for KGTF, KMCF, KETF, and KETF-B) | 33 |
| 3-1. System requirement | 33 |
| 3-2. Wireless LAN function list | 34 |
| 4. Dimensions | 35 |
| 4-1. Compact cassette type | 35 |
| 4-2. Mini duct type | 37 |
| 4-3. Slim duct type | 40 |
| 4-4. Medium static pressure duct type | 43 |
| 4-5. Wall mounted type | 48 |
| 4-6. Ceiling type | 62 |
| 4-7. Floor type | 64 |
| 5. Wiring diagrams | 66 |
| 5-1. Compact cassette type | 66 |
| 5-2. Mini duct type and Slim duct type | 67 |
| 5-3. Medium static pressure duct type | 68 |
| 5-4. Wall mounted type | 70 |
| 5-5. Ceiling type | 82 |
| 5-6. Floor type | 83 |
| 6. Air velocity and temperature distributions | 84 |
| 6-1. Compact cassette type | 84 |
| 6-2. Mini duct type | 92 |
| 6-3. Slim duct type | 102 |
| 6-4. Wall mounted type | 112 |
| 6-5. Ceiling type | 115 |
| 6-6. Floor type | 117 |
| 7. Fan performance | 118 |
| 7-1. Mini duct type | 118 |
| 7-2. Slim duct type | 128 |
| 7-3. Medium static pressure duct type | 138 |
| 8. Airflow | 144 |

CONTENTS (continued)

| | |
|--|------------|
| 8-1. Compact cassette type | 144 |
| 8-2. Mini duct type..... | 145 |
| 8-3. Slim duct type | 146 |
| 8-4. Medium static pressure duct type | 147 |
| 8-5. Wall mounted type | 148 |
| 8-6. Ceiling type | 156 |
| 8-7. Floor type..... | 157 |
| 9. Noise level curve | 158 |
| 9-1. Compact cassette type | 158 |
| 9-2. Mini duct type..... | 161 |
| 9-3. Slim duct type | 164 |
| 9-4. Medium static pressure duct type | 167 |
| 9-5. Wall mounted type | 168 |
| 9-6. Ceiling type | 174 |
| 9-7. Floor type..... | 175 |
| 9-8. Sound level check point..... | 177 |
| 10. Electrical characteristics | 180 |
| 11. Safety devices | 183 |
| 12. External input and output..... | 186 |
| 12-1.Compact cassette type, Medium static pressure duct type (ARXH22KMTAP), and Ceiling type..... | 186 |
| 12-2.Mini duct type, Slim duct type, and Medium static pressure duct type (ARXG22KMLB) | 198 |
| 12-3.Wall mounted type (KGTB, 18-24KMTB, KETA, and KETA-B)..... | 204 |
| 12-4.Wall mounted type (07-14KMTB and KMCC) | 214 |
| 12-5.Wall mounted type (KGTE, KGTF, KMTE, KMCE, KMCF, KETE, KETE-B, KETF, and KETF-B) | 219 |
| 12-6.Floor type..... | 241 |
| 13. Group connection | 250 |
| 14. Remote controller | 252 |
| 14-1.Wireless remote controller (AR-REW4E, AR-REM4E, and AR-REB1E)..... | 252 |
| 14-2.Wireless remote controller (AR-REW3E) | 257 |
| 14-3.Wireless remote controller (AR-REW2E)..... | 259 |
| 14-4.Wireless remote controller (AR-REM7E)..... | 261 |
| 14-5.Wireless remote controller (AR-RMB1E)..... | 263 |
| 14-6.Wireless remote controller (UTY-LNTY: Optional part) and IR receiver kit with Wireless remote controller (UTY-LBTYM or UTY-LBTYH: Optional part)..... | 265 |
| 14-7.Wired remote controller (UTY-RNNYM: Optional part)..... | 268 |
| 14-8.Wired remote controller (UTY-RLRY: Optional part) | 272 |
| 14-9.Wired remote controller (UTY-RVNYM: Optional part)..... | 275 |
| 14-10.Wired remote controller (UTY-RNRYZ*: Optional part)..... | 283 |
| 14-11.Wired remote controller (UTY-RCRYZ1: Optional part) | 286 |
| 14-12.Simple remote controller (UTY-RSNYM: Optional part) | 290 |
| 14-13.Simple remote controller (UTY-RSRY and UTY-RHRY: Optional parts)..... | 294 |

CONTENTS (continued)

| | |
|--|------------|
| 15. Function settings | 297 |
| 15-1. Mini duct, Slim duct types indoor unit (setting by DIP switch) | 297 |
| 15-2. Medium static pressure duct type (ARXH22KMTAP) | 299 |
| 15-3. Indoor unit (setting by wireless remote controller) | 300 |
| 15-4. Indoor unit (setting by wired remote controller) | 317 |
| 15-5. Indoor unit (setting by simple remote controller) | 328 |
| 15-6. Function details | 335 |
| 15-7. Wired remote controller (UTY-RNNYM) | 345 |
| 15-8. Wired remote controller (UTY-RVNYM) | 347 |
| 15-9. Wired remote controller (UTY-RLRY) | 348 |
| 15-10. Wired remote controller (UTY-RNRYZ*) | 348 |
| 15-11. Simple remote controller (UTY-RSNYM) | 349 |
| 16. Accessories | 350 |
| 16-1. Compact cassette type | 350 |
| 16-2. Mini duct type | 351 |
| 16-3. Slim duct type | 353 |
| 16-4. Medium static pressure duct type | 354 |
| 16-5. Wall mounted type | 355 |
| 16-6. Ceiling type | 361 |
| 16-7. Floor type | 362 |
| 17. Optional parts | 363 |
| 17-1. Controllers | 363 |
| 17-2. Cassette grille | 368 |
| 17-3. Others | 369 |
| 18. Indoor unit installation precautions | 378 |
| 18-1. Places where prohibited for use | 378 |
| 18-2. Points to remember when installing | 378 |

CONTENTS (continued)

Part 2. OUTDOOR UNIT (4 UNITS TYPE).....381

| | |
|---|------------|
| 1. Specifications | 382 |
| 2. Dimensions | 384 |
| 2-1. Model: AOYG30KBTA4 | 384 |
| 3. Installation space | 385 |
| 3-1. Model: AOYG30KBTA4 | 385 |
| 4. Refrigerant circuit | 388 |
| 4-1. Model: AOYG30KBTA4 | 388 |
| 5. Wiring diagram | 389 |
| 5-1. Model: AOYG30KBTA4 | 389 |
| 6. Capacity table | 390 |
| 6-1. Combinations | 390 |
| 6-2. Cooling capacity..... | 394 |
| 6-3. Heating capacity | 418 |
| 7. Capacity compensation rate for pipe length and height difference..... | 442 |
| 7-1. Model: AOYG30KBTA4 | 442 |
| 8. Additional charge calculation | 446 |
| 8-1. Model: AOYG30KBTA4 | 446 |
| 9. Airflow | 447 |
| 9-1. Model: AOYG30KBTA4 | 447 |
| 10. Operation noise (sound pressure)..... | 448 |
| 10-1.Noise level curve..... | 448 |
| 10-2.Sound level check point | 448 |
| 11. Electrical characteristics | 449 |
| 12. Safety devices | 450 |
| 13. Function settings | 451 |
| 13-1.Setting methods | 451 |
| 13-2.Outdoor unit low noise operation function (option)..... | 454 |
| 13-3.Current limit function | 454 |
| 14. Check and test..... | 455 |
| 14-1.Check run | 455 |
| 14-2.Test run..... | 461 |
| 14-3.Error code | 462 |
| 14-4.Pump down..... | 465 |
| 15. Accessories | 467 |
| 15-1.Model: AOYG30KBTA4 | 467 |
| 16. Outdoor unit installation precautions | 468 |
| 16-1.Places where prohibited for use..... | 468 |
| 16-2.Points to remember when installing | 468 |

CONTENTS (continued)

| | |
|--|------------|
| Part 3. OUTDOOR UNIT (5 UNITS TYPE) | 469 |
| 1. Specifications | 470 |
| 2. Dimensions | 472 |
| 2-1. Model: AOYG36KBTA5 | 472 |
| 3. Installation space | 473 |
| 3-1. Model: AOYG36KBTA5 | 473 |
| 4. Refrigerant circuit | 476 |
| 4-1. Model: AOYG36KBTA5 | 476 |
| 5. Wiring diagram | 477 |
| 5-1. Model: AOYG36KBTA5 | 477 |
| 6. Capacity table | 478 |
| 6-1. Combinations | 478 |
| 6-2. Cooling capacity..... | 484 |
| 6-3. Heating capacity | 508 |
| 7. Capacity compensation rate for pipe length and height difference | 532 |
| 7-1. Model: AOYG36KBTA5 | 532 |
| 8. Additional charge calculation | 536 |
| 8-1. Model: AOYG36KBTA5 | 536 |
| 9. Airflow | 537 |
| 9-1. Model: AOYG36KBTA5 | 537 |
| 10. Operation noise (sound pressure) | 538 |
| 10-1.Noise level curve..... | 538 |
| 10-2.Sound level check point | 538 |
| 11. Electrical characteristics | 539 |
| 12. Safety devices | 540 |
| 13. Function settings | 541 |
| 13-1.Setting methods | 541 |
| 13-2.Outdoor unit low noise operation function (option)..... | 544 |
| 13-3.Current limit function | 544 |
| 14. Check and test | 545 |
| 14-1.Check run | 545 |
| 14-2.Test run..... | 551 |
| 14-3.Error code | 552 |
| 14-4.Pump down..... | 555 |
| 15. Accessories | 557 |
| 15-1.Model: AOYG36KBTA5 | 557 |
| 16. Optional parts | 558 |
| 17. Outdoor unit installation precautions | 559 |
| 17-1.Places where prohibited for use..... | 559 |

CONTENTS (continued)

| | |
|---|-----|
| 17-2.Points to remember when installing | 559 |
|---|-----|

Part 1. INDOOR UNIT

COMPACT CASSETTE TYPE:

AUXG07-22KVLA

MINI DUCT TYPE:

ARXG07-14KSLAP

ARXG18KSLAP

SLIM DUCT TYPE:

ARXG07-14KLLAP

ARXG18KLLAP

MEDIUM STATIC PRES- SURE DUCT TYPE:

ARXG22KMLB

ARXH22KMTAP

WALL MOUNTED TYPE:

ASYG07-14KGTB

ASYG07-14KGTE

ASYG18-24KMTB

ASYG07-14KGTF

ASYG18-24KMTE

ASYG07-14KMTB

ASYG07-14KETA

ASYG07-14KETA-B

ASYG07-14KMCC

ASYG07-14KETE

ASYG07-14KETE-B

ASYG07-14KMCE

ASYG07-14KETF

ASYG07-14KETF-B

ASYG07-14KMCF

CEILING TYPE:

ABYG18-22KRTA

FLOOR TYPE:

AGYG09-14KVCA

1. Model lineup

| Indoor unit | | | |
|--|--|---|--|
|  <p>AUXG07KVLA AUXG09KVLA AUXG12KVLA AUXG14KVLA AUXG18KVLA AUXG22KVLA</p> |  <p>ARXG07KSLAP ARXG09KSLAP ARXG12KSLAP ARXG14KSLAP ARXG18KSLAP</p> |  <p>ARXG07KLLAP ARXG09KLLAP ARXG12KLLAP ARXG14KLLAP ARXG18KLLAP</p> |  <p>ARXG22KMLB ARXH22KMTAP</p> |
|  <p>ASYG07KGTB ASYG09KGTB ASYG12KGTB ASYG14KGTB</p> |  <p>ASYG07KGTE ASYG09KGTE ASYG12KGTE ASYG14KGTE ASYG07KGTF ASYG09KGTF ASYG12KGTF ASYG14KGTF</p> |  <p>ASYG18KMTB ASYG22KMTB ASYG24KMTB ASYG18KMTE ASYG22KMTE ASYG24KMTE</p> |  <p>ASYG07KMTB ASYG09KMTB ASYG12KMTB ASYG14KMTB ASYG07KMCC ASYG09KMCC ASYG12KMCC ASYG14KMCC ASYG07KMCE ASYG09KMCE ASYG12KMCE ASYG14KMCE ASYG07KMCF ASYG09KMCF ASYG12KMCF ASYG14KMCF</p> |
|  <p>ASYG07KETA ASYG09KETA ASYG12KETA ASYG14KETA ASYG07KETE ASYG09KETE ASYG12KETE ASYG14KETE ASYG07KETF ASYG09KETF ASYG12KETF ASYG14KETF</p> |  <p>ASYG07KETA-B ASYG09KETA-B ASYG12KETA-B ASYG14KETA-B ASYG07KETE-B ASYG09KETE-B ASYG12KETE-B ASYG14KETE-B ASYG07KETF-B ASYG09KETF-B ASYG12KETF-B ASYG14KETF-B</p> |  <p>ABYG18KRTA ABYG22KRTA</p> |  <p>AGYG09KVCA AGYG12KVCA AGYG14KVCA</p> |

Outdoor unit



AOYG30KBTA4
AOYG36KBTA5

1-1. Indoor unit connection patterns

■ 4-unit multi-split type

| AOYG30KBTA4 | | | | | |
|-----------------|--------|--------|--------|--------|-------|
| Combination no. | Unit 1 | Unit 2 | Unit 3 | Unit 4 | Total |
| 1 | 7 | 22 | — | — | 29 |
| 2 | 7 | 24 | — | — | 31 |
| 3 | 9 | 22 | — | — | 31 |
| 4 | 9 | 24 | — | — | 33 |
| 5 | 12 | 18 | — | — | 30 |
| 6 | 12 | 22 | — | — | 34 |
| 7 | 12 | 24 | — | — | 36 |
| 8 | 14 | 18 | — | — | 32 |
| 9 | 14 | 22 | — | — | 36 |
| 10 | 14 | 24 | — | — | 38 |
| 11 | 18 | 18 | — | — | 36 |
| 12 | 18 | 22 | — | — | 40 |
| 13 | 18 | 24 | — | — | 42 |
| 14 | 22 | 22 | — | — | 44 |
| 15 | 22 | 24 | — | — | 46 |
| 16 | 24 | 24 | — | — | 48 |
| 17 | 7 | 7 | 12 | — | 26 |
| 18 | 7 | 7 | 14 | — | 28 |
| 19 | 7 | 7 | 18 | — | 32 |
| 20 | 7 | 7 | 22 | — | 36 |
| 21 | 7 | 7 | 24 | — | 38 |
| 22 | 7 | 9 | 9 | — | 25 |
| 23 | 7 | 9 | 12 | — | 28 |
| 24 | 7 | 9 | 14 | — | 30 |
| 25 | 7 | 9 | 18 | — | 34 |
| 26 | 7 | 9 | 22 | — | 38 |
| 27 | 7 | 9 | 24 | — | 40 |
| 28 | 7 | 12 | 12 | — | 31 |
| 29 | 7 | 12 | 14 | — | 33 |
| 30 | 7 | 12 | 18 | — | 37 |
| 31 | 7 | 12 | 22 | — | 41 |
| 32 | 7 | 12 | 24 | — | 43 |
| 33 | 7 | 14 | 14 | — | 35 |
| 34 | 7 | 14 | 18 | — | 39 |
| 35 | 7 | 14 | 22 | — | 43 |
| 36 | 7 | 14 | 24 | — | 45 |
| 37 | 7 | 18 | 18 | — | 43 |
| 38 | 7 | 18 | 22 | — | 47 |
| 39 | 7 | 18 | 24 | — | 49 |
| 40 | 9 | 9 | 9 | — | 27 |
| 41 | 9 | 9 | 12 | — | 30 |
| 42 | 9 | 9 | 14 | — | 32 |
| 43 | 9 | 9 | 18 | — | 36 |
| 44 | 9 | 9 | 22 | — | 40 |
| 45 | 9 | 9 | 24 | — | 42 |
| 46 | 9 | 12 | 12 | — | 33 |
| 47 | 9 | 12 | 14 | — | 35 |
| 48 | 9 | 12 | 18 | — | 39 |
| 49 | 9 | 12 | 22 | — | 43 |
| 50 | 9 | 12 | 24 | — | 45 |

| AOYG30KBTA4 | | | | | |
|-----------------|--------|--------|--------|--------|-------|
| Combination no. | Unit 1 | Unit 2 | Unit 3 | Unit 4 | Total |
| 51 | 9 | 14 | 14 | — | 37 |
| 52 | 9 | 14 | 18 | — | 41 |
| 53 | 9 | 14 | 22 | — | 45 |
| 54 | 9 | 14 | 24 | — | 47 |
| 55 | 9 | 18 | 18 | — | 45 |
| 56 | 12 | 12 | 12 | — | 36 |
| 57 | 12 | 12 | 14 | — | 38 |
| 58 | 12 | 12 | 18 | — | 42 |
| 59 | 12 | 12 | 22 | — | 46 |
| 60 | 12 | 12 | 24 | — | 48 |
| 61 | 12 | 14 | 14 | — | 40 |
| 62 | 12 | 14 | 18 | — | 44 |
| 63 | 12 | 18 | 18 | — | 48 |
| 64 | 14 | 14 | 14 | — | 42 |
| 65 | 14 | 14 | 18 | — | 46 |
| 66 | 7 | 7 | 7 | 7 | 28 |
| 67 | 7 | 7 | 7 | 9 | 30 |
| 68 | 7 | 7 | 7 | 12 | 33 |
| 69 | 7 | 7 | 7 | 14 | 35 |
| 70 | 7 | 7 | 7 | 18 | 39 |
| 71 | 7 | 7 | 9 | 9 | 32 |
| 72 | 7 | 7 | 9 | 12 | 35 |
| 73 | 7 | 7 | 9 | 14 | 37 |
| 74 | 7 | 7 | 9 | 18 | 41 |
| 75 | 7 | 7 | 12 | 12 | 38 |
| 76 | 7 | 7 | 12 | 14 | 40 |
| 77 | 7 | 7 | 12 | 18 | 44 |
| 78 | 7 | 7 | 14 | 14 | 42 |
| 79 | 7 | 7 | 14 | 18 | 46 |
| 80 | 7 | 9 | 9 | 9 | 34 |
| 81 | 7 | 9 | 9 | 12 | 37 |
| 82 | 7 | 9 | 9 | 14 | 39 |
| 83 | 7 | 9 | 9 | 18 | 43 |
| 84 | 7 | 9 | 12 | 12 | 40 |
| 85 | 7 | 9 | 12 | 14 | 42 |
| 86 | 7 | 9 | 12 | 18 | 46 |
| 87 | 7 | 9 | 14 | 14 | 44 |
| 88 | 7 | 9 | 14 | 18 | 48 |
| 89 | 7 | 12 | 12 | 12 | 43 |
| 90 | 7 | 12 | 12 | 14 | 45 |
| 91 | 7 | 12 | 12 | 18 | 49 |
| 92 | 7 | 12 | 14 | 14 | 47 |
| 93 | 9 | 9 | 9 | 9 | 36 |
| 94 | 9 | 9 | 9 | 12 | 39 |
| 95 | 9 | 9 | 9 | 14 | 41 |
| 96 | 9 | 9 | 9 | 18 | 45 |
| 97 | 9 | 9 | 12 | 12 | 42 |
| 98 | 9 | 9 | 12 | 14 | 44 |
| 99 | 9 | 9 | 12 | 18 | 48 |
| 100 | 9 | 9 | 14 | 14 | 46 |
| 101 | 9 | 12 | 12 | 12 | 45 |
| 102 | 9 | 12 | 12 | 14 | 47 |
| 103 | 9 | 12 | 14 | 14 | 49 |
| 104 | 12 | 12 | 12 | 12 | 48 |

Numbers in column Unit 1 to 4, and Total indicate the indoor unit capacities as follows:
7: 7,000 Btu/h, 9: 9,000 Btu/h, 12: 12,000 Btu/h, 14: 14,000 Btu/h

■ 5-unit multi-split type

| AOYG36KBTA5 | | | | | | |
|-----------------|--------|--------|--------|--------|--------|-------|
| Combination no. | Unit 1 | Unit 2 | Unit 3 | Unit 4 | Unit 5 | Total |
| 1 | 7 | 24 | — | — | — | 31 |
| 2 | 9 | 22 | — | — | — | 31 |
| 3 | 9 | 24 | — | — | — | 33 |
| 4 | 12 | 22 | — | — | — | 34 |
| 5 | 12 | 24 | — | — | — | 36 |
| 6 | 14 | 22 | — | — | — | 36 |
| 7 | 14 | 24 | — | — | — | 38 |
| 8 | 18 | 18 | — | — | — | 36 |
| 9 | 18 | 22 | — | — | — | 40 |
| 10 | 18 | 24 | — | — | — | 42 |
| 11 | 22 | 22 | — | — | — | 44 |
| 12 | 22 | 24 | — | — | — | 46 |
| 13 | 24 | 24 | — | — | — | 48 |
| 14 | 7 | 7 | 14 | — | — | 28 |
| 15 | 7 | 7 | 18 | — | — | 32 |
| 16 | 7 | 7 | 22 | — | — | 36 |
| 17 | 7 | 7 | 24 | — | — | 38 |
| 18 | 7 | 9 | 12 | — | — | 28 |
| 19 | 7 | 9 | 14 | — | — | 30 |
| 20 | 7 | 9 | 18 | — | — | 34 |
| 21 | 7 | 9 | 22 | — | — | 38 |
| 22 | 7 | 9 | 24 | — | — | 40 |
| 23 | 7 | 12 | 12 | — | — | 31 |
| 24 | 7 | 12 | 14 | — | — | 33 |
| 25 | 7 | 12 | 18 | — | — | 37 |
| 26 | 7 | 12 | 22 | — | — | 41 |
| 27 | 7 | 12 | 24 | — | — | 43 |
| 28 | 7 | 14 | 14 | — | — | 35 |
| 29 | 7 | 14 | 18 | — | — | 39 |
| 30 | 7 | 14 | 22 | — | — | 43 |
| 31 | 7 | 14 | 24 | — | — | 45 |
| 32 | 7 | 18 | 18 | — | — | 43 |
| 33 | 7 | 18 | 22 | — | — | 47 |
| 34 | 7 | 18 | 24 | — | — | 49 |
| 35 | 9 | 9 | 9 | — | — | 27 |
| 36 | 9 | 9 | 12 | — | — | 30 |
| 37 | 9 | 9 | 14 | — | — | 32 |
| 38 | 9 | 9 | 18 | — | — | 36 |
| 39 | 9 | 9 | 22 | — | — | 40 |
| 40 | 9 | 9 | 24 | — | — | 42 |
| 41 | 9 | 12 | 12 | — | — | 33 |
| 42 | 9 | 12 | 14 | — | — | 35 |
| 43 | 9 | 12 | 18 | — | — | 39 |
| 44 | 9 | 12 | 22 | — | — | 43 |
| 45 | 9 | 12 | 24 | — | — | 45 |
| 46 | 9 | 14 | 14 | — | — | 37 |
| 47 | 9 | 14 | 18 | — | — | 41 |
| 48 | 9 | 14 | 22 | — | — | 45 |
| 49 | 9 | 14 | 24 | — | — | 47 |
| 50 | 9 | 18 | 18 | — | — | 45 |
| 51 | 9 | 18 | 22 | — | — | 49 |
| 52 | 9 | 18 | 24 | — | — | 51 |

| AOYG36KBTA5 | | | | | | |
|-----------------|--------|--------|--------|--------|--------|-------|
| Combination no. | Unit 1 | Unit 2 | Unit 3 | Unit 4 | Unit 5 | Total |
| 53 | 12 | 12 | 12 | — | — | 36 |
| 54 | 12 | 12 | 14 | — | — | 38 |
| 55 | 12 | 12 | 18 | — | — | 42 |
| 56 | 12 | 12 | 22 | — | — | 46 |
| 57 | 12 | 12 | 24 | — | — | 48 |
| 58 | 12 | 14 | 14 | — | — | 40 |
| 59 | 12 | 14 | 18 | — | — | 44 |
| 60 | 12 | 14 | 22 | — | — | 48 |
| 61 | 12 | 14 | 24 | — | — | 50 |
| 62 | 12 | 18 | 18 | — | — | 48 |
| 63 | 12 | 18 | 22 | — | — | 52 |
| 64 | 12 | 18 | 24 | — | — | 54 |
| 65 | 14 | 14 | 14 | — | — | 42 |
| 66 | 14 | 14 | 18 | — | — | 46 |
| 67 | 14 | 14 | 22 | — | — | 50 |
| 68 | 14 | 14 | 24 | — | — | 52 |
| 69 | 14 | 18 | 18 | — | — | 50 |
| 70 | 18 | 18 | 18 | — | — | 54 |
| 71 | 7 | 7 | 7 | 7 | — | 28 |
| 72 | 7 | 7 | 7 | 9 | — | 30 |
| 73 | 7 | 7 | 7 | 12 | — | 33 |
| 74 | 7 | 7 | 7 | 14 | — | 35 |
| 75 | 7 | 7 | 7 | 18 | — | 39 |
| 76 | 7 | 7 | 7 | 22 | — | 43 |
| 77 | 7 | 7 | 7 | 24 | — | 45 |
| 78 | 7 | 7 | 9 | 9 | — | 32 |
| 79 | 7 | 7 | 9 | 12 | — | 35 |
| 80 | 7 | 7 | 9 | 14 | — | 37 |
| 81 | 7 | 7 | 9 | 18 | — | 41 |
| 82 | 7 | 7 | 9 | 22 | — | 45 |
| 83 | 7 | 7 | 9 | 24 | — | 47 |
| 84 | 7 | 7 | 12 | 12 | — | 38 |
| 85 | 7 | 7 | 12 | 14 | — | 40 |
| 86 | 7 | 7 | 12 | 18 | — | 44 |
| 87 | 7 | 7 | 12 | 22 | — | 48 |
| 88 | 7 | 7 | 12 | 24 | — | 50 |
| 89 | 7 | 7 | 14 | 14 | — | 42 |
| 90 | 7 | 7 | 14 | 18 | — | 46 |
| 91 | 7 | 7 | 14 | 22 | — | 50 |
| 92 | 7 | 7 | 14 | 24 | — | 52 |
| 93 | 7 | 7 | 18 | 18 | — | 50 |
| 94 | 7 | 9 | 9 | 9 | — | 34 |
| 95 | 7 | 9 | 9 | 12 | — | 37 |
| 96 | 7 | 9 | 9 | 14 | — | 39 |
| 97 | 7 | 9 | 9 | 18 | — | 43 |
| 98 | 7 | 9 | 9 | 22 | — | 47 |
| 99 | 7 | 9 | 9 | 24 | — | 49 |
| 100 | 7 | 9 | 12 | 12 | — | 40 |
| 101 | 7 | 9 | 12 | 14 | — | 42 |
| 102 | 7 | 9 | 12 | 18 | — | 46 |
| 103 | 7 | 9 | 12 | 22 | — | 50 |
| 104 | 7 | 9 | 12 | 24 | — | 52 |
| 105 | 7 | 9 | 14 | 14 | — | 44 |
| 106 | 7 | 9 | 14 | 18 | — | 48 |
| 107 | 7 | 9 | 14 | 22 | — | 52 |

| AOYG36KBTA5 | | | | | | |
|-----------------|--------|--------|--------|--------|--------|-------|
| Combination no. | Unit 1 | Unit 2 | Unit 3 | Unit 4 | Unit 5 | Total |
| 108 | 7 | 9 | 14 | 24 | — | 54 |
| 109 | 7 | 9 | 18 | 18 | — | 52 |
| 110 | 7 | 12 | 12 | 12 | — | 43 |
| 111 | 7 | 12 | 12 | 14 | — | 45 |
| 112 | 7 | 12 | 12 | 18 | — | 49 |
| 113 | 7 | 12 | 14 | 14 | — | 47 |
| 114 | 7 | 12 | 14 | 18 | — | 51 |
| 115 | 7 | 14 | 14 | 14 | — | 49 |
| 116 | 7 | 14 | 14 | 18 | — | 53 |
| 117 | 9 | 9 | 9 | 9 | — | 36 |
| 118 | 9 | 9 | 9 | 12 | — | 39 |
| 119 | 9 | 9 | 9 | 14 | — | 41 |
| 120 | 9 | 9 | 9 | 18 | — | 45 |
| 121 | 9 | 9 | 9 | 22 | — | 49 |
| 122 | 9 | 9 | 9 | 24 | — | 51 |
| 123 | 9 | 9 | 12 | 12 | — | 42 |
| 124 | 9 | 9 | 12 | 14 | — | 44 |
| 125 | 9 | 9 | 12 | 18 | — | 48 |
| 126 | 9 | 9 | 12 | 22 | — | 52 |
| 127 | 9 | 9 | 12 | 24 | — | 54 |
| 128 | 9 | 9 | 14 | 14 | — | 46 |
| 129 | 9 | 9 | 14 | 18 | — | 50 |
| 130 | 9 | 9 | 18 | 18 | — | 54 |
| 131 | 9 | 12 | 12 | 12 | — | 45 |
| 132 | 9 | 12 | 12 | 14 | — | 47 |
| 133 | 9 | 12 | 12 | 18 | — | 51 |
| 134 | 9 | 12 | 14 | 14 | — | 49 |
| 135 | 9 | 12 | 14 | 18 | — | 53 |
| 136 | 9 | 14 | 14 | 14 | — | 51 |
| 137 | 12 | 12 | 12 | 12 | — | 48 |
| 138 | 12 | 12 | 12 | 14 | — | 50 |
| 139 | 12 | 12 | 12 | 18 | — | 54 |
| 140 | 12 | 12 | 14 | 14 | — | 52 |
| 141 | 12 | 14 | 14 | 14 | — | 54 |
| 142 | 7 | 7 | 7 | 7 | 7 | 35 |
| 143 | 7 | 7 | 7 | 7 | 9 | 37 |
| 144 | 7 | 7 | 7 | 7 | 12 | 40 |
| 145 | 7 | 7 | 7 | 7 | 14 | 42 |
| 146 | 7 | 7 | 7 | 7 | 18 | 46 |
| 147 | 7 | 7 | 7 | 7 | 22* | 50 |
| 148 | 7 | 7 | 7 | 7 | 24 | 52 |
| 149 | 7 | 7 | 7 | 9 | 9 | 39 |
| 150 | 7 | 7 | 7 | 9 | 12 | 42 |
| 151 | 7 | 7 | 7 | 9 | 14 | 44 |
| 152 | 7 | 7 | 7 | 9 | 18 | 48 |
| 153 | 7 | 7 | 7 | 9 | 22* | 52 |
| 154 | 7 | 7 | 7 | 9 | 24 | 54 |
| 155 | 7 | 7 | 7 | 12 | 12 | 45 |
| 156 | 7 | 7 | 7 | 12 | 14 | 47 |
| 157 | 7 | 7 | 7 | 12 | 18 | 51 |
| 158 | 7 | 7 | 7 | 14 | 14 | 49 |
| 159 | 7 | 7 | 7 | 14 | 18 | 53 |
| 160 | 7 | 7 | 9 | 9 | 9 | 41 |
| 161 | 7 | 7 | 9 | 9 | 12 | 44 |
| 162 | 7 | 7 | 9 | 9 | 14 | 46 |

| AOYG36KBTA5 | | | | | | |
|-----------------|--------|--------|--------|--------|--------|-------|
| Combination no. | Unit 1 | Unit 2 | Unit 3 | Unit 4 | Unit 5 | Total |
| 163 | 7 | 7 | 9 | 9 | 18 | 50 |
| 164 | 7 | 7 | 9 | 9 | 22* | 54 |
| 165 | 7 | 7 | 9 | 12 | 12 | 47 |
| 166 | 7 | 7 | 9 | 12 | 14 | 49 |
| 167 | 7 | 7 | 9 | 12 | 18 | 53 |
| 168 | 7 | 7 | 9 | 14 | 14 | 51 |
| 169 | 7 | 7 | 12 | 12 | 12 | 50 |
| 170 | 7 | 7 | 12 | 12 | 14 | 52 |
| 171 | 7 | 7 | 12 | 14 | 14 | 54 |
| 172 | 7 | 9 | 9 | 9 | 9 | 43 |
| 173 | 7 | 9 | 9 | 9 | 12 | 46 |
| 174 | 7 | 9 | 9 | 9 | 14 | 48 |
| 175 | 7 | 9 | 9 | 9 | 18 | 52 |
| 176 | 7 | 9 | 9 | 12 | 12 | 49 |
| 177 | 7 | 9 | 9 | 12 | 14 | 51 |
| 178 | 7 | 9 | 9 | 14 | 14 | 53 |
| 179 | 7 | 9 | 12 | 12 | 12 | 52 |
| 180 | 7 | 9 | 12 | 12 | 14 | 54 |
| 181 | 9 | 9 | 9 | 9 | 9 | 45 |
| 182 | 9 | 9 | 9 | 9 | 12 | 48 |
| 183 | 9 | 9 | 9 | 9 | 14 | 50 |
| 184 | 9 | 9 | 9 | 9 | 18 | 54 |
| 185 | 9 | 9 | 9 | 12 | 12 | 51 |
| 186 | 9 | 9 | 9 | 12 | 14 | 53 |
| 187 | 9 | 9 | 12 | 12 | 12 | 54 |

Numbers in column Unit 1 to 5 and Total indicate the indoor unit capacities as follows:
7: 7,000 Btu/h, 9: 9,000 Btu/h, 12: 12,000 Btu/h, 14: 14,000 Btu/h

*: As for the 22 model, wall-mounted type indoor unit is only connectable.

2. Specifications

2-1. Compact cassette type

| Model name | | | | AUXG07KVLA | AUXG09KVLA | AUXG12KVLA | AUXG14KVLA | |
|---|------------------------|----------|----------------------------------|--|-----------------|------------|------------|-----|
| Power supply | | | | 1Ø 230 V~ 50 Hz | | | | |
| Available voltage range | | | | 198—264 V | | | | |
| Capacity | | kW class | | 2.0 | 2.5 | 3.5 | 4.0 | |
| Input power | | W | | 18 | | 23 | 28 | |
| Running current | | A | | 0.15 | | 0.19 | 0.22 | |
| Fan | Airflow rate | Cooling | HIGH | m ³ /h | 540 | | 610 | 680 |
| | | | MED | | 490 | | 530 | 580 |
| | | | LOW | | 440 | | 470 | 490 |
| | | | QUIET | | 390 | | 410 | 410 |
| | | Heating | HIGH | | 540 | | 610 | 790 |
| | | | MED | | 490 | | 530 | 680 |
| | | | LOW | | 440 | | 470 | 580 |
| | | | QUIET | | 390 | | 410 | 450 |
| | Type × Qty | | Turbo fan × 1 | | | | | |
| | Motor output | | W | | 54 | | | |
| Sound pressure level* | Cooling | HIGH | dB (A) | 33 | | 37 | 38 | |
| | | MED | | 31 | | 34 | 35 | |
| | | LOW | | 29 | | 31 | 32 | |
| | | QUIET | | 27 | | 28 | 29 | |
| | Heating | HIGH | | 34 | | 37 | 43 | |
| | | MED | | 32 | | 34 | 38 | |
| | | LOW | | 29 | | 31 | 34 | |
| | | QUIET | | 27 | | 29 | 30 | |
| Sound power level | Cooling | dB (A) | | 46 | | 49 | 50 | |
| | Heating | | | 47 | | 49 | 55 | |
| Heat exchanger type | Dimensions (H × W × D) | | mm | Main 1: 210 × 1,310 × 13.3 Main 2: 210 × 1,250 × 13.3 | | | | |
| | Fin pitch | | mm | 1.2 | | | | |
| | Rows × Stages | | Main 1: 1 × 10 Main 2: 1 × 10 | | | | | |
| | Pipe type | | Copper tube | | | | | |
| | Fin type | | Aluminum | | | | | |
| Dimensions (H × W × D) | Net | | mm | 245 × 570 × 570 | | | | |
| | Gross | | | 265 × 730 × 625 | | | | |
| Weight | Net | | kg | 15 | | | | |
| | Gross | | | 19 | | | | |
| Connection pipe | Size | Liquid | mm (in) | Ø6.35 (Ø1/4) | | | | |
| | | Gas | | Ø9.52 (Ø3/8) | | | | |
| | Method | | | Flare | | | | |
| Drain hose | Material | | PVC | | | | | |
| | Tip diameter | | mm | Ø25 (I.D.), Ø32 (O.D.) | | | | |
| Operation range | Cooling | | °C | 18 to 32 | | | | |
| | | | %RH | 80 or less | | | | |
| | Heating | | °C | 16 to 30 | | | | |
| Cassette grille (Grid type: Option) | Model name | | | UTG-UFYF-W | | | | |
| | Material | | | Polystyrene | | | | |
| | Color | | | White Approximate color of Munsell 9PB 9.1/0.2 | | | | |
| | Dimensions (H × W × D) | Net | | mm | 49 × 620 × 620 | | | |
| | | Gross | | | 120 × 765 × 755 | | | |
| | Weight | Net | | kg | 2.3 | | | |
| Gross | | 4.5 | | | | | | |
| NOTES: | | | | | | | | |
| <ul style="list-style-type: none"> • The protective function might work when using it outside the operation range. • *: Sound pressure level: <ul style="list-style-type: none"> – These are the measured values in the manufacturer's anechoic chamber. – Because of the surrounding sound environment, the sound levels measured in actual installation conditions might be higher than the specified values here. | | | | | | | | |

| Model name | | | | AUXG18KVLA | | AUXG22KVLA | | |
|-------------------------------------|------------------------|---------|---------------|--|-----------------|--|--|--|
| Power supply | | | | 1Ø 230 V~ 50 Hz | | | | |
| Available voltage range | | | | 198—264 V | | | | |
| Capacity | | | kW class | 5.0 | 6.0 | | | |
| Input power | | | W | 39 | 84 | | | |
| Running current | | | A | 0.30 | 0.62 | | | |
| Fan | Airflow rate | Cooling | HIGH | m ³ /h | 680 | 830 | | |
| | | | MED | | 580 | 740 | | |
| | | | LOW | | 490 | 600 | | |
| | | | QUIET | | 410 | 450 | | |
| | | Heating | HIGH | | 790 | 860 | | |
| | | | MED | | 680 | 760 | | |
| | | | LOW | | 580 | 700 | | |
| | | | QUIET | | 450 | 530 | | |
| | Type × Qty | | Turbo fan × 1 | | | | | |
| | Motor output | | | W | 54 | | | |
| Sound pressure level* | Cooling | HIGH | dB (A) | 38 | 44 | | | |
| | | MED | | 35 | 42 | | | |
| | | LOW | | 32 | 36 | | | |
| | | QUIET | | 29 | 30 | | | |
| | Heating | HIGH | | 43 | 45 | | | |
| | | MED | | 38 | 43 | | | |
| | | LOW | | 34 | 40 | | | |
| | | QUIET | | 30 | 33 | | | |
| Sound power level | Cooling | dB (A) | 50 | 56 | | | | |
| | Heating | | 55 | 57 | | | | |
| Heat exchanger type | Dimensions (H × W × D) | | mm | Main 1: 210 × 1,310 × 13.3 Main 2: 210 × 1,250 × 13.3 | | Main 1: 210 × 1,360 × 13.3 Main 2: 210 × 1,295 × 13.3 Main 3: 210 × 1,235 × 13.3 | | |
| | Fin pitch | | | 1.2 | 1.45 | | | |
| | Rows × Stages | | | Main 1: 1 × 10 Main 2: 1 × 10 | | Main 1: 1 × 10 Main 2: 1 × 10 Main 3: 1 × 10 | | |
| | Pipe type | | | Copper tube | | | | |
| | Fin type | | | Aluminum | | | | |
| Dimensions (H × W × D) | Net | | mm | 245 × 570 × 570 | | | | |
| | Gross | | | 265 × 730 × 625 | | | | |
| Weight | Net | | kg | 15 | | 16 | | |
| | Gross | | | 19 | | 20 | | |
| Connection pipe | Size | Liquid | mm (in) | Ø6.35 (Ø1/4) | | | | |
| | | Gas | | Ø12.70 (Ø1/2) | | | | |
| Method | | | Flare | | | | | |
| Material | | | PVC | | | | | |
| Drain hose | Tip diameter | | mm | Ø25 (I.D.), Ø32 (O.D.) | | | | |
| | | | | °C | | 18 to 32 | | |
| Operation range | Cooling | | %RH | | 80 or less | | | |
| | Heating | | °C | | 16 to 30 | | | |
| | | | | | | | | |
| Cassette grille (Grid type: Option) | Model name | | | UTG-UFYF-W | | | | |
| | Material | | | Polystyrene | | | | |
| | Color | | | White Approximate color of Munsell 9PB 9.1/0.2 | | | | |
| | Dimensions (H × W × D) | Net | | mm | 49 × 620 × 620 | | | |
| | | Gross | | | 120 × 765 × 755 | | | |
| | Weight | Net | | kg | 2.3 | | | |
| Gross | | 4.5 | | | | | | |

NOTES:

- The protective function might work when using it outside the operation range.
- *: Sound pressure level:
 - These are the measured values in the manufacturer's anechoic chamber.
 - Because of the surrounding sound environment, the sound levels measured in actual installation conditions might be higher than the specified values here.

2-2. Mini duct type

| Model name | | | | ARXG07KSLAP | ARXG09KSLAP | ARXG12KSLAP | ARXG14KSLAP | |
|-----------------------------|------------------------|---------|-----------------|------------------------|-------------|-------------|-------------|-----|
| Power supply | | | | 1Ø 230 V~ 50 Hz | | | | |
| Available voltage range | | | | 198—264 V | | | | |
| Capacity | | | kW class | 2.0 | 2.5 | 3.5 | 4.0 | |
| Input power | Fan | HIGH | W | 33 | 40 | 47 | 72 | |
| | | MED | | 23 | 23 | 26 | 44 | |
| | | LOW | | 20 | 20 | 22 | 30 | |
| | | QUIET | | 18 | 18 | 18 | 18 | |
| Running current | | | A | 0.29 | 0.33 | 0.38 | 0.58 | |
| Fan | Airflow rate | Cooling | HIGH | m ³ /h | 550 | 600 | 650 | 800 |
| | | | MED | | 440 | 450 | 490 | 640 |
| | | | LOW | | 390 | 400 | 430 | 530 |
| | | | QUIET | | 360 | 360 | 360 | 360 |
| | | Heating | HIGH | | 550 | 600 | 650 | 800 |
| | | | MED | | 440 | 450 | 490 | 640 |
| | | | LOW | | 390 | 400 | 430 | 530 |
| | | | QUIET | | 360 | 360 | 360 | 360 |
| | Type × Qty | | Sirocco fan × 2 | | | | | |
| | Motor output | | W | 75 | | | | |
| Recommended static pressure | | | Pa | 0 to 30 | | | 0 to 50 | |
| Sound pressure level* | Cooling | HIGH | dB (A) | 29 | 29 | 31 | 35 | |
| | | MED | | 26 | 26 | 27 | 30 | |
| | | LOW | | 24 | 24 | 25 | 27 | |
| | | QUIET | | 23 | 23 | 23 | 23 | |
| | Heating | HIGH | | 29 | 29 | 31 | 35 | |
| | | MED | | 26 | 26 | 27 | 30 | |
| | | LOW | | 24 | 24 | 25 | 27 | |
| | | QUIET | | 23 | 23 | 23 | 23 | |
| Sound power level | Cooling | dB (A) | 52 | 54 | 55 | 60 | | |
| | Heating | | 53 | 56 | 57 | 62 | | |
| Heat exchanger type | Dimensions (H × W × D) | | mm | 336 × 490 × 26.6 | | | | |
| | Fin pitch | | mm | 1.3 | | | | |
| | Rows × Stages | | | 2 × 16 | | | | |
| | Pipe type | | | Copper tube | | | | |
| | Fin type | | | Aluminum | | | | |
| Enclosure | Material | | | Steel sheet | | | | |
| | Color | | | — | | | | |
| Dimensions (H × W × D) | Net | | mm | 198 × 700 × 450 | | | | |
| | Gross | | | 250 × 930 × 580 | | | | |
| Weight | Net | | kg | 15.5 | | | | |
| | Gross | | | 19.0 | | | | |
| Connection pipe | Size | Liquid | mm (in) | Ø6.35 (Ø1/4) | | | | |
| | | Gas | | Ø9.52 (Ø3/8) | | | | |
| | Method | | | | Flare | | | |
| Drain hose | Material | | | Hard PVC | | | | |
| | Tip diameter | | mm | Ø25 (I.D.), Ø32 (O.D.) | | | | |
| Operation range | Cooling | °C | 18 to 32 | | | | | |
| | | %RH | 80 or less | | | | | |
| | Heating | °C | 16 to 30 | | | | | |

NOTES:

- Values mentioned in the table are based on the following conditions:
 - Static pressure: 07-12 models: 10 Pa, 14 model: 15 Pa
- The protective function might work when using it outside the operation range.
- *: Sound pressure level:
 - These are the measured values in the manufacturer's anechoic chamber.
 - Because of the surrounding sound environment, the sound levels measured in actual installation conditions might be higher than the specified values here.

| Model name | | | | ARXG18KSLAP | | |
|-----------------------------|------------------------|--------------|-------------|------------------------|-----|--|
| Power supply | | | | 1Ø 230 V~ 50 Hz | | |
| Available voltage range | | | | 198—264 V | | |
| Capacity | | | kW class | 5.0 | | |
| Input power | Fan | HIGH | W | 63 | | |
| | | MED | | 38 | | |
| | | LOW | | 22 | | |
| | | QUIET | | 19 | | |
| Running current | | | A | 0.49 | | |
| Fan | Airflow rate | Cooling | HIGH | m ³ /h | 940 | |
| | | | MED | | 750 | |
| | | | LOW | | 540 | |
| | | | QUIET | | 480 | |
| | | Heating | HIGH | | 940 | |
| | | | MED | | 750 | |
| | | | LOW | | 540 | |
| | | | QUIET | | 480 | |
| | Type × Qty | | | Sirocco fan × 3 | | |
| | Motor output | | | W | 80 | |
| Recommended static pressure | | | Pa | 0 to 50 | | |
| Sound pressure level* | Cooling | HIGH | dB (A) | 33 | | |
| | | MED | | 29 | | |
| | | LOW | | 26 | | |
| | | QUIET | | 23 | | |
| | Heating | HIGH | | 33 | | |
| | | MED | | 29 | | |
| | | LOW | | 26 | | |
| | | QUIET | | 23 | | |
| Sound power level | Cooling | dB (A) | | 58 | | |
| | Heating | | | 59 | | |
| Heat exchanger type | Dimensions (H × W × D) | | mm | 336 × 690 × 26.6 | | |
| | Fin pitch | | | 1.30 | | |
| | Rows × Stages | | 2 × 16 | | | |
| | Pipe type | | Copper tube | | | |
| | Fin type | | Aluminum | | | |
| Enclosure | | Material | | Steel sheet | | |
| | | Color | | — | | |
| Dimensions (H × W × D) | Net | | mm | 198 × 900 × 450 | | |
| | Gross | | | 250 × 1,130 × 580 | | |
| Weight | Net | | kg | 18.5 | | |
| | Gross | | | 23.0 | | |
| Connection pipe | Size | Liquid | mm (in) | Ø6.35 (Ø1/4) | | |
| | | Gas | | Ø12.7 (Ø1/2) | | |
| | Method | | Flare | | | |
| Drain hose | | Material | | PVC | | |
| | | Tip diameter | | mm | | |
| | | | | Ø25 (I.D.), Ø32 (O.D.) | | |
| Operation range | Cooling | | °C | 18 to 32 | | |
| | | | %RH | 80 or less | | |
| | Heating | | °C | 16 to 30 | | |

NOTES:

- Values mentioned in the table are based on the following conditions:
 - Static pressure: 15 Pa
- The protective function might work when using it outside the operation range.
- *: Sound pressure level:
 - These are the measured values in the manufacturer's anechoic chamber.
 - Because of the surrounding sound environment, the sound levels measured in actual installation conditions might be higher than the specified values here.

2-3. Slim duct type

| Model name | | | | ARXG07KLLAP | ARXG09KLLAP | ARXG12KLLAP | ARXG14KLLAP | | |
|-----------------------------|--------------|------------------------|-----------------|------------------------|------------------|------------------|-------------|-----|--|
| Power supply | | | | 1Ø 230 V~ 50 Hz | | | | | |
| Available voltage range | | | | 198—264 V | | | | | |
| Capacity | | kW class | | 2.0 | 2.5 | 3.5 | 4.0 | | |
| Input power | | W | | 33 | 49 | 58 | 76 | | |
| Running current | | A | | 0.33 | 0.30 | 0.35 | 0.51 | | |
| Fan | Airflow rate | Cooling | HIGH | m ³ /h | 550 | 600 | 650 | 800 | |
| | | | MED | | 490 | 550 | 600 | 700 | |
| | | LOW | 470 | | 500 | 550 | 600 | | |
| | | QUIET | 440 | | 450 | 480 | 480 | | |
| | Heating | HIGH | 550 | | 600 | 650 | 800 | | |
| | | MED | 490 | | 550 | 600 | 700 | | |
| | | LOW | 470 | | 500 | 550 | 600 | | |
| | | QUIET | 440 | | 450 | 480 | 480 | | |
| | Type × Qty | | Sirocco fan × 2 | | | | | | |
| | Motor output | | W | | 80 | 81 | | | |
| Recommended static pressure | | | | Pa | | | | | |
| | | | | 0 to 90 | | | | | |
| Sound pressure level* | Cooling | HIGH | dB (A) | 28 | 28 | 29 | 32 | | |
| | | MED | | 26 | 27 | 28 | 30 | | |
| | | LOW | | 25 | 26 | 27 | 28 | | |
| | | QUIET | | 24 | 25 | 26 | 26 | | |
| | Heating | HIGH | | 28 | 28 | 29 | 32 | | |
| | | MED | | 26 | 26 | 28 | 30 | | |
| | | LOW | | 25 | 25 | 27 | 28 | | |
| | | QUIET | | 24 | 24 | 24 | 25 | | |
| Sound power level | | Cooling | | dB (A) | | 57 | 58 | 60 | |
| | | Heating | | | | 57 | 58 | 60 | |
| Heat exchanger type | | Dimensions (H × W × D) | | mm | 294 × 500 × 26.6 | 294 × 500 × 39.9 | | | |
| | | Fin pitch | | mm | 1.3 | | | | |
| | | Rows × Stages | | 2 × 14 | | 3 × 14 | | | |
| | | Pipe type | | Copper tube | | | | | |
| | | Fin type | | Aluminum | | | | | |
| Enclosure | | Material | | Steel sheet | | | | | |
| | | Color | | — | | | | | |
| Dimensions (H × W × D) | | Net | | mm | | | | | |
| | | Gross | | 198 × 700 × 620 | | | | | |
| | | | | 276 × 968 × 772 | | | | | |
| Weight | | Net | | kg | | 16 | 17 | | |
| | | Gross | | | | 21 | 22 | | |
| Connection pipe | | Size | | mm (in) | | | | | |
| | | Liquid | | Ø6.35 (Ø1/4) | | | | | |
| | | Gas | | Ø9.52 (Ø3/8) | | | | | |
| | | Method | | Flare | | | | | |
| Drain hose | | Material | | PVC | | | | | |
| | | Tip diameter | | mm | | | | | |
| | | | | Ø25 (I.D.), Ø32 (O.D.) | | | | | |
| Operation range | | Cooling | | °C | | 18 to 32 | | | |
| | | | | %RH | | 80 or less | | | |
| | | Heating | | °C | | 16 to 30 | | | |

NOTES:

- Values mentioned in the table are based on the following conditions:
 - Static pressure: 25 Pa
- The protective function might work when using it outside the operation range.
- *: Sound pressure level:
 - These are the measured values in the manufacturer's anechoic chamber.
 - Because of the surrounding sound environment, the sound levels measured in actual installation conditions might be higher than the specified values here.

| Model name | | | | ARXG18KLLAP | | |
|-----------------------------|------------------------|---------|-------------|------------------------|---------|--|
| Power supply | | | | 1Ø 230 V~ 50 Hz | | |
| Available voltage range | | | | 198—264 V | | |
| Capacity | | | kW class | 5.0 | | |
| Input power | | | | W | | |
| Running current | | | | A | | |
| Fan | Airflow rate | Cooling | HIGH | m ³ /h | 940 | |
| | | | MED | | 880 | |
| | | | LOW | | 820 | |
| | | | QUIET | | 750 | |
| | | Heating | HIGH | | 940 | |
| | | | MED | | 880 | |
| | | | LOW | | 820 | |
| | | | QUIET | | 750 | |
| | Type × Qty | | | Sirocco fan × 3 | | |
| | Motor output | | | W | 81 | |
| Recommended static pressure | | | | Pa | 0 to 90 | |
| Sound pressure level* | Cooling | HIGH | dB (A) | 32 | | |
| | | MED | | 30 | | |
| | | LOW | | 29 | | |
| | | QUIET | | 27 | | |
| | Heating | HIGH | | 32 | | |
| | | MED | | 30 | | |
| | | LOW | | 29 | | |
| | | QUIET | | 27 | | |
| Sound power level | | Cooling | dB (A) | 58 | | |
| | | Heating | | 58 | | |
| Heat exchanger type | Dimensions (H × W × D) | | mm | 294 × 700 × 39.9 | | |
| | Fin pitch | | mm | 1.3 | | |
| | Rows × Stages | | 3 × 14 | | | |
| | Pipe type | | Copper tube | | | |
| | Fin type | | Aluminum | | | |
| Enclosure | Material | | | Steel sheet | | |
| | Color | | | — | | |
| Dimensions (H × W × D) | Net | | mm | 198 × 900 × 620 | | |
| | Gross | | | 276 × 1,168 × 772 | | |
| Weight | Net | | kg | 20 | | |
| | Gross | | | 26 | | |
| Connection pipe | Size | Liquid | mm (in) | Ø6.35 (Ø1/4) | | |
| | | Gas | | Ø12.70 (Ø1/2) | | |
| | Method | | Flare | | | |
| Drain hose | Material | | | PVC | | |
| | Tip diameter | | mm | Ø25 (I.D.), Ø32 (O.D.) | | |
| Operation range | Cooling | | | °C | | |
| | | | | %RH | | |
| | Heating | | | °C | | |

NOTES:

- Values mentioned in the table are based on the following conditions:
 - Static pressure: 25 Pa
- The protective function might work when using it outside the operation range.
- *: Sound pressure level:
 - These are the measured values in the manufacturer's anechoic chamber.
 - Because of the surrounding sound environment, the sound levels measured in actual installation conditions might be higher than the specified values here.

2-4. Medium static pressure duct type

| Model name | | | | ARXG22KMLB | | |
|-----------------------------|------------------------|----------|-----------------|-------------------|------------------------------|--|
| Power supply | | | | 1Ø 230 V~ 50 Hz | | |
| Available voltage range | | | | 198—264 V | | |
| Capacity | | kW class | | 6.0 | | |
| Input power | | | | W | | |
| Running current | | | | A | | |
| Fan | Airflow rate | Cooling | HIGH | m ³ /h | 1,100 | |
| | | | MED | | 910 | |
| | | | LOW | | 750 | |
| | | | QUIET | | 580 | |
| | | Heating | HIGH | | 1,100 | |
| | | | MED | | 910 | |
| | | | LOW | | 750 | |
| | | | QUIET | | 580 | |
| | Type × Qty | | Sirocco fan × 2 | | | |
| | Motor output | | W | | 106 | |
| Recommended static pressure | | | | Pa | | |
| | | | | 30 to 150 | | |
| Sound pressure level* | Cooling | HIGH | dB (A) | 31 | | |
| | | MED | | 29 | | |
| | | LOW | | 27 | | |
| | | QUIET | | 25 | | |
| | Heating | HIGH | | 31 | | |
| | | MED | | 29 | | |
| | | LOW | | 27 | | |
| | | QUIET | | 25 | | |
| Sound power level | | Cooling | | dB (A) | | |
| | | Heating | | 60 | | |
| | | | | 62 | | |
| Heat exchanger type | Dimensions (H × W × D) | | mm | | 294 × 1,000 × 39.9 | |
| | Fin pitch | | mm | | 1.40 | |
| | Rows × Stages | | | | 3 × 14 | |
| | Pipe type | | | | Copper tube | |
| | Fin type | | | | Aluminum | |
| Enclosure | Material | | | | Steel sheet | |
| | Color | | | | — | |
| Dimensions (H × W × D) | Net | | mm | | 270 × 1,135 × 700 | |
| | Gross | | | | 300 × 1,320 × 790 | |
| Weight | Net | | kg | | 35 | |
| | Gross | | | | 43 | |
| Connection pipe | Size | Liquid | mm (in) | Ø6.35 (Ø1/4) | | |
| | | Gas | | Ø12.70 (Ø1/2) | | |
| | Method | | | | Flare | |
| Operation range | Cooling | | | °C | | |
| | | | | %RH | | |
| | Heating | | | | °C | |
| Drain hose | Material | | | | Steel | |
| | Tip diameter | | mm | | Ø 35.7 (I.D.), Ø 38.1 (O.D.) | |

NOTES:

- Values mentioned in the table are based on the following conditions:
 - Static pressure: 35 Pa
- The protective function might work when using it outside the operation range.
- *: Sound pressure level:
 - These are the measured values in the manufacturer's anechoic chamber.
 - Because of the surrounding sound environment, the sound levels measured in actual installation conditions might be higher than the specified values here.

| Model name | | | | ARXH22KMTAP | |
|---|------------------------|----------------------------|--------------------|--|------------------------|
| Power supply | | | | 230 V~ 50 Hz | |
| Available voltage range | | | | 198—264 V | |
| Capacity | | | kW class | | 6.0 |
| Input power | | | W | | 79 |
| Running current | | | A | | 0.40 |
| Fan | Airflow rate | Cooling | HIGH | m ³ /h | 1,150 |
| | | | MED | | 920 |
| | | | LOW | | 800 |
| | | | QUIET | | 700 |
| | | Heating | HIGH | | 1,150 |
| | | | MED | | 920 |
| | | | LOW | | 800 |
| | | | QUIET | | 700 |
| | Type × Qty | | Sirocco fan × 2 | | |
| | Motor output | | W | | 197 |
| Static pressure range | | | Pa | | 30 to 150 |
| Sound pressure level*1 | Cooling | HIGH | dB (A) | 32 | |
| | | MED | | 28 | |
| | | LOW | | 25 | |
| | | QUIET | | 24 | |
| | Heating | HIGH | | 32 | |
| | | MED | | 28 | |
| | | LOW | | 25 | |
| | | QUIET | | 24 | |
| Sound power level | Cooling | HIGH | dB (A) | 58 | |
| | Heating | HIGH | | 58 | |
| Heat exchanger | Dimensions (H × W × D) | | mm | 336 × 790 × 39.9 | |
| | Fin pitch | | | 1.4 | |
| | Rows × Stages | | | 3 × 16 | |
| | Pipe type | | | Copper tube | |
| | Fin type | | | Aluminum | |
| Enclosure | Material | | Steel sheet | | |
| | Color | | — | | |
| Dimensions (H × W × D) | Net | | mm | 240 × 1,000 × 700 | |
| | Gross | | | 334 × 1,226 × 863 | |
| Weight | Net | | kg | 31 | |
| | Gross | | | 37 | |
| Connection pipe | Size | Liquid | mm (in) | Ø6.35 (Ø1/4) | |
| | | Gas | | Ø12.70 (Ø1/2) | |
| | Method | | | Flare | |
| Drain port | Material | | Polyvinyl chloride | | |
| | Tip diameter | | mm | | Ø26 (I.D.), Ø32 (O.D.) |
| Drain hose | Material | | Polyvinyl chloride | | |
| | Tip diameter | | mm | | Ø25 (I.D.), Ø32 (O.D.) |
| Operation range | Cooling | °C | | 18 to 32 | |
| | | %RH | | 80 or less | |
| Operation range | Heating | °C | | 16 to 30 | |
| | | Remote controller (Option) | | Wireless, Wired, Mobile app*2 [FGLair™, AIRSTAGE Mobile] | |
| NOTES: | | | | | |
| <ul style="list-style-type: none"> Values mentioned in the table are based on the following conditions: <ul style="list-style-type: none"> Static pressure: 40 Pa The protective function might work when using it outside the operation range. *1: Sound pressure level: <ul style="list-style-type: none"> Measured values in manufacturer's anechoic chamber. Because of the surrounding sound environment, the sound levels measured in actual installation conditions might be higher than the specified values here. *2: Available on Google Play™ store or on App Store®. Optional WLAN Adapter is also required. For details, refer to the setting manual. This data is based on EN 14511 standard. | | | | | |

2-5. Wall mounted type

| Model name | | | | ASYG07KGTB | ASYG09KGTB | ASYG12KGTB | ASYG14KGTB | | | |
|---|------------------------|---------|---|--|------------|--|------------|------|------|------|
| Power supply | | | | 1Ø 230 V~ 50 Hz | | | | | | |
| Available voltage range | | | | 198—264 V | | | | | | |
| Capacity | | | kW class | | | | 2.0 | 2.5 | 3.5 | 4.0 |
| Input power | | | W | | | | 23 | 27 | 27 | 33 |
| Running current | | | A | | | | 0.20 | 0.24 | 0.24 | 0.29 |
| Fan | Airflow rate | Cooling | HIGH | m ³ /h | 650 | 700 | 700 | 770 | | |
| | | | MED | | 540 | 560 | 560 | 600 | | |
| | | | LOW | | 430 | 430 | 430 | 450 | | |
| | | | QUIET | | 270 | 270 | 270 | 280 | | |
| | | Heating | HIGH | | 720 | 750 | 770 | 800 | | |
| | | | MED | | 580 | 610 | 640 | 660 | | |
| | | | LOW | | 460 | 470 | 520 | 520 | | |
| | | | QUIET | | 330 | 330 | 330 | 340 | | |
| | Type × Qty | | | Crossflow fan × 1 | | | | | | |
| | Motor output | | | W | | | | 30 | | 49 |
| Sound pressure level*1 | Cooling | HIGH | dB (A) | 38 | 40 | 40 | 43 | | | |
| | | MED | | 33 | 34 | 35 | 36 | | | |
| | | LOW | | 29 | 29 | 30 | 30 | | | |
| | | QUIET | | 21 | 21 | 21 | 21 | | | |
| | Heating | HIGH | | 41 | 42 | 42 | 44 | | | |
| | | MED | | 35 | 36 | 38 | 39 | | | |
| | | LOW | | 31 | 31 | 33 | 33 | | | |
| | | QUIET | | 22 | 22 | 22 | 24 | | | |
| Sound power level | Cooling | dB (A) | | 54 | 55 | 56 | 57 | | | |
| | Heating | dB (A) | | 56 | 57 | 58 | 59 | | | |
| Heat exchanger type | Dimensions (H × W × D) | | mm | Main 1: 210 × 670 × 26.6 Main 2: 112 × 670 × 20.0 | | Main 1: 210 × 670 × 26.6 Main 2: 112 × 670 × 20.0 Sub: 84 × 670 × 13.3 | | | | |
| | Fin pitch | | mm | Main 1: 1.2 Main 2: 1.1 | | Main 1: 1.2 Main 2: 1.1 Sub: 1.4 | | | | |
| | Rows × Stages | | | Main 1: 2 × 10 Main 2: 2 × 7 | | Main 1: 2 × 10 Main 2: 2 × 7 Sub: 1 × 4 | | | | |
| | Pipe type | | | Copper tube | | | | | | |
| | Fin type | | | Aluminum | | | | | | |
| Enclosure | Material | | Polystyrene | | | | | | | |
| | Color | | White + Pearl white (painted) Approximate color of Munsell N 9.25/ | | | | | | | |
| Dimensions (H × W × D) | Net | | mm | 270 × 834 × 215 | | | | | | |
| | Gross | | | 277 × 914 × 332 | | | | | | |
| Weight | Net | | kg | 10.0 | | | | | | |
| | Gross | | | 12.5 | | 13.0 | | | | |
| Connection pipe | Size | Liquid | mm (in) | Ø6.35 (Ø1/4) | | | | | | |
| | | Gas | | Ø9.52 (Ø3/8) | | | | | | |
| | Method | | | Flare | | | | | | |
| Drain hose | Material | | PP + HDPE | | | | | | | |
| | Tip diameter | | mm | Ø13.8 (I.D.), Ø15.0 to Ø16.8 (O.D.) | | | | | | |
| Operation range | Cooling | °C | | 18 to 32 | | | | | | |
| | | %RH | | 80 or less | | | | | | |
| | Heating | °C | | 16 to 30 | | | | | | |
| Remote controller type | | | | Wireless (Option: Wired, Mobile app*2 [FGLair™]) | | | | | | |
| NOTES: | | | | | | | | | | |
| <ul style="list-style-type: none"> The protective function might work when using it outside the operation range. *1: Sound pressure level: <ul style="list-style-type: none"> These are the measured values in the manufacturer's anechoic chamber. Because of the surrounding sound environment, the sound levels measured in actual installation conditions might be higher than the specified values here. *2: Available on Google Play™ store or on App Store®. Optional WLAN Adapter is also required. For details, refer to the setting manual. | | | | | | | | | | |

| Model name | | | | ASYG07KGTE | ASYG09KGTE | ASYG12KGTE | ASYG14KGTE | |
|---|------------------------|---------|----------|---|------------|--|------------|-----|
| Power supply | | | | 1Ø 230 V~ 50 Hz | | | | |
| Available voltage range | | | | 198—264 V | | | | |
| Capacity | | | kW class | 2.0 | 2.5 | 3.5 | 4.0 | |
| Input power | | | W | 23 | 27 | 27 | 33 | |
| Running current | | | A | 0.20 | 0.24 | 0.24 | 0.29 | |
| Fan | Airflow rate | Cooling | HIGH | m ³ /h | 650 | 700 | 700 | 770 |
| | | | MED | | 540 | 560 | 560 | 600 |
| | | | LOW | | 430 | 430 | 430 | 450 |
| | | | QUIET | | 270 | 270 | 270 | 280 |
| | | Heating | HIGH | | 720 | 750 | 770 | 800 |
| | | | MED | | 580 | 610 | 640 | 660 |
| | | | LOW | | 460 | 470 | 520 | 520 |
| | | | QUIET | | 330 | 330 | 330 | 340 |
| | Type × Qty | | | Crossflow fan × 1 | | | | |
| | Motor output | | | W | 30 | | 49 | |
| Sound pressure level*1 | Cooling | HIGH | dB (A) | 38 | 40 | 40 | 43 | |
| | | MED | | 33 | 34 | 35 | 36 | |
| | | LOW | | 29 | 29 | 30 | 30 | |
| | | QUIET | | 21 | 21 | 21 | 21 | |
| | Heating | HIGH | | 41 | 42 | 42 | 44 | |
| | | MED | | 35 | 36 | 38 | 39 | |
| | | LOW | | 31 | 31 | 33 | 33 | |
| | | QUIET | | 22 | 22 | 22 | 24 | |
| Sound power level | Cooling | dB (A) | 54 | 55 | 56 | 57 | | |
| | Heating | | 56 | 57 | 58 | 59 | | |
| Heat exchanger type | Dimensions (H × W × D) | | mm | Main 1: 210 × 670 × 26.6 Main 2: 112 × 670 × 20.0 | | Main 1: 210 × 670 × 26.6 Main 2: 112 × 670 × 20.0 Sub: 84 × 670 × 13.3 | | |
| | Fin pitch | | mm | Main 1: 1.2 Main 2: 1.1 | | Main 1: 1.2 Main 2: 1.1 Sub: 1.4 | | |
| | Rows × Stages | | | Main 1: 2 × 10 Main 2: 2 × 7 | | Main 1: 2 × 10 Main 2: 2 × 7 Sub: 1 × 4 | | |
| | Pipe type | | | Copper tube | | | | |
| | Fin type | | | Aluminum | | | | |
| Enclosure | Material | | | Polystyrene | | | | |
| | Color | | | White + Pearl white (painted) Approximate color of Munsell N 9.25/ | | | | |
| Dimensions (H × W × D) | Net | | mm | 270 × 834 × 215 | | | | |
| | Gross | | | 277 × 914 × 332 | | | | |
| Weight | Net | | kg | 10.0 | | | | |
| | Gross | | | 12.5 | | | 13.0 | |
| Connection pipe | Size | Liquid | mm (in) | Ø6.35 (Ø1/4) | | | | |
| | | Gas | | Ø9.52 (Ø3/8) | | | | |
| | Method | | | | Flare | | | |
| Drain hose | Material | | | PP + HDPE | | | | |
| | Tip diameter | | mm | Ø13.8 (I.D.), Ø15.0 to Ø16.8 (O.D.) | | | | |
| Operation range | Cooling | °C | | 18 to 32 | | | | |
| | | %RH | | 80 or less | | | | |
| | Heating | °C | | 16 to 30 | | | | |
| Remote controller type | | | | Wireless (Option: Wired, Mobile app*2 [FGLair™]) | | | | |
| NOTES: | | | | | | | | |
| <ul style="list-style-type: none"> The protective function might work when using it outside the operation range. *1: Sound pressure level: <ul style="list-style-type: none"> These are the measured values in the manufacturer's anechoic chamber. Because of the surrounding sound environment, the sound levels measured in actual installation conditions might be higher than the specified values here. *2: Available on Google Play™ store or on App Store®. Optional WLAN Adapter is also required. For details, refer to the setting manual. | | | | | | | | |

| Model name | | | | ASYG07KGTF | ASYG09KGTF | ASYG12KGTF | ASYG14KGTF | |
|---|------------------------|---------|---|--|------------|--|------------|-----|
| Power supply | | | | 1Ø 230 V~ 50 Hz | | | | |
| Available voltage range | | | | 198—264 V | | | | |
| Capacity | | | kW class | 2.0 | 2.5 | 3.5 | 4.0 | |
| Input power | | | W | 23 | 27 | 27 | 33 | |
| Running current | | | A | 0.20 | 0.24 | 0.24 | 0.29 | |
| Fan | Airflow rate | Cooling | HIGH | m ³ /h | 650 | 700 | 700 | 770 |
| | | | MED | | 540 | 560 | 560 | 600 |
| | | | LOW | | 430 | 430 | 430 | 450 |
| | | | QUIET | | 270 | 270 | 270 | 280 |
| | | Heating | HIGH | | 720 | 750 | 770 | 800 |
| | | | MED | | 580 | 610 | 640 | 660 |
| | | | LOW | | 460 | 470 | 520 | 520 |
| | | | QUIET | | 330 | 330 | 330 | 340 |
| | Type × Qty | | | Crossflow fan × 1 | | | | |
| | Motor output | | | W | 30 | | 49 | |
| Sound pressure level*1 | Cooling | HIGH | dB (A) | 38 | 40 | 40 | 43 | |
| | | MED | | 33 | 34 | 35 | 36 | |
| | | LOW | | 29 | 29 | 30 | 30 | |
| | | QUIET | | 21 | 21 | 21 | 21 | |
| | Heating | HIGH | | 41 | 42 | 42 | 44 | |
| | | MED | | 35 | 36 | 38 | 39 | |
| | | LOW | | 31 | 31 | 33 | 33 | |
| | | QUIET | | 22 | 22 | 22 | 24 | |
| Sound power level | Cooling | dB (A) | 54 | 55 | 56 | 57 | | |
| | Heating | | 56 | 57 | 58 | 59 | | |
| Heat exchanger type | Dimensions (H × W × D) | | mm | Main 1: 210 × 670 × 26.6 Main 2: 112 × 670 × 20.0 | | Main 1: 210 × 670 × 26.6 Main 2: 112 × 670 × 20.0 Sub: 84 × 670 × 13.3 | | |
| | Fin pitch | | mm | Main 1: 1.2 Main 2: 1.1 | | Main 1: 1.2 Main 2: 1.1 Sub: 1.4 | | |
| | Rows × Stages | | | Main 1: 2 × 10 Main 2: 2 × 7 | | Main 1: 2 × 10 Main 2: 2 × 7 Sub: 1 × 4 | | |
| | Pipe type | | | Copper tube | | | | |
| | Fin type | | | Aluminum | | | | |
| Enclosure | Material | | Polystyrene | | | | | |
| | Color | | White + Pearl white (painted) Approximate color of Munsell N 9.25/ | | | | | |
| Dimensions (H × W × D) | Net | | mm | 270 × 834 × 215 | | | | |
| | Gross | | | 277 × 914 × 332 | | | | |
| Weight | Net | | kg | 10.0 | | | | |
| | Gross | | | 12.5 | | | 13.0 | |
| Connection pipe | Size | Liquid | mm (in) | Ø6.35 (Ø1/4) | | | | |
| | | Gas | | Ø9.52 (Ø3/8) | | | | |
| | Method | | | Flare | | | | |
| Drain hose | Material | | PP + HDPE | | | | | |
| | Tip diameter | | mm | Ø13.8 (I.D.), Ø15.0 to Ø16.8 (O.D.) | | | | |
| Operation range | Cooling | °C | 18 to 32 | | | | | |
| | | %RH | 80 or less | | | | | |
| | Heating | °C | 16 to 30 | | | | | |
| Remote controller type | | | | Wireless (Option: Wired, Mobile app*2 [AIRSTAGE Mobile]) | | | | |
| NOTES: | | | | | | | | |
| <ul style="list-style-type: none"> • The protective function might work when using it outside the operation range. • *1: Sound pressure level: <ul style="list-style-type: none"> – These are the measured values in the manufacturer's anechoic chamber. – Because of the surrounding sound environment, the sound levels measured in actual installation conditions might be higher than the specified values here. • *2: Available on Google Play™ store or on App Store®. | | | | | | | | |

| Model name | | | | ASYG18KMTB | ASYG22KMTB | ASYG24KMTB | |
|---|------------------------|---------|----------|--|-------------------|------------|-------|
| Power supply | | | | 1Ø 230 V~ 50 Hz | | | |
| Available voltage range | | | | 198—264 V | | | |
| Capacity | | | kW class | 5.0 | 6.0 | 7.0 | |
| Input power | | | | W | 37.5 | 47.0 | 61.6 |
| Running current | | | | A | 0.35 | 0.39 | 0.44 |
| Fan | Airflow rate | Cooling | HIGH | m ³ /h | 980 | 1,060 | 1,170 |
| | | | MED | | 810 | 810 | 850 |
| | | | LOW | | 640 | 640 | 640 |
| | | | QUIET | | 510 | 510 | 510 |
| | | Heating | HIGH | | 1,020 | 1,060 | 1,170 |
| | | | MED | | 850 | 850 | 850 |
| | | | LOW | | 640 | 640 | 640 |
| | | | QUIET | | 510 | 510 | 510 |
| | Type × Qty | | | | Crossflow fan × 1 | | |
| | Motor output | | | | W | 59 | 59 |
| Sound pressure level*1 | Cooling | HIGH | dB (A) | 45 | 48 | 49 | |
| | | MED | | 40 | 40 | 40 | |
| | | LOW | | 35 | 35 | 35 | |
| | | QUIET | | 29 | 29 | 29 | |
| | Heating | HIGH | | 46 | 48 | 49 | |
| | | MED | | 40 | 40 | 40 | |
| | | LOW | | 35 | 35 | 35 | |
| | | QUIET | | 29 | 29 | 29 | |
| Sound power level | Cooling | dB (A) | 60 | 62 | 65 | | |
| | Heating | | 61 | 62 | 65 | | |
| Heat exchanger type | Dimensions (H × W × D) | | mm | Main 1: 210 × 798 × 26.6 Main 2: 135 × 798 × 20.0 Sub 1: 84 × 798 × 13.3 Sub 2: 84 × 798 × 13.3 | | | |
| | Fin pitch | | mm | Main 1: 1.2 Main 2: 1.1 Sub 1: 1.4 Sub 2: 1.4 | | | |
| | Rows × Stages | | | Main 1: 2 × 10 Main 2: 2 × 8 Sub 1: 1 × 4 Sub 2: 1 × 4 | | | |
| | Pipe type | | | Copper tube | | | |
| | Fin type | | | Aluminum | | | |
| Enclosure | Material | | | Polystyrene | | | |
| | Color | | | White + Pearl white (painted) Approximate color of Munsell N 9.25/ | | | |
| Dimensions (H × W × D) | Net | | mm | 280 × 980 × 240 | | | |
| | Gross | | | 322 × 1,078 × 346 | | | |
| Weight | Net | | kg | 12.5 | | | |
| | Gross | | | 18 | | | |
| Connection pipe | Size | Liquid | mm (in) | Ø6.35 (Ø1/4) | | | |
| | | Gas | | Ø12.70 (Ø1/2) | | | |
| | Method | | | Flare | | | |
| Drain hose | Material | | | PP + HDPE | | | |
| | Tip diameter | | mm | Ø13.8 (I.D.), Ø15.8 to Ø16.7 (O.D) | | | |
| Operation range | Cooling | | | °C | 18 to 32 | | |
| | | | | %RH | 80 or less | | |
| | Heating | | | °C | 16 to 30 | | |
| Remote controller type | | | | Wireless (Option: Wired, Mobile app*2 [FGLair™]) | | | |
| NOTES: | | | | | | | |
| <ul style="list-style-type: none"> The protective function might work when using it outside the operation range. *1: Sound pressure level: <ul style="list-style-type: none"> These are the measured values in the manufacturer's anechoic chamber. Because of the surrounding sound environment, the sound levels measured in actual installation conditions might be higher than the specified values here. *2: Available on Google Play™ store or on App Store®. Optional WLAN Adapter is also required. For details, refer to the setting manual. | | | | | | | |

| Model name | | | | ASYG18KMTE | ASYG22KMTE | ASYG24KMTE | |
|---|------------------------|---------|----------|--|-------------------|------------|-------|
| Power supply | | | | 1Ø 230 V~ 50 Hz | | | |
| Available voltage range | | | | 198—264 V | | | |
| Capacity | | | kW class | 5.0 | 6.0 | 7.0 | |
| Input power | | | | W | 37.5 | 47.0 | 61.6 |
| Running current | | | | A | 0.35 | 0.39 | 0.44 |
| Fan | Airflow rate | Cooling | HIGH | m ³ /h | 980 | 1,060 | 1,170 |
| | | | MED | | 810 | 810 | 850 |
| | | | LOW | | 640 | 640 | 640 |
| | | | QUIET | | 510 | 510 | 510 |
| | | Heating | HIGH | | 1,020 | 1,060 | 1,170 |
| | | | MED | | 850 | 850 | 850 |
| | | | LOW | | 640 | 640 | 640 |
| | | | QUIET | | 510 | 510 | 510 |
| | Type × Qty | | | | Crossflow fan × 1 | | |
| | Motor output | | | | W | 59 | 59 |
| Sound pressure level ^{*1} | Cooling | HIGH | dB (A) | 45 | 48 | 49 | |
| | | MED | | 40 | 40 | 40 | |
| | | LOW | | 35 | 35 | 35 | |
| | | QUIET | | 29 | 29 | 29 | |
| | Heating | HIGH | | 46 | 48 | 49 | |
| | | MED | | 40 | 40 | 40 | |
| | | LOW | | 35 | 35 | 35 | |
| | | QUIET | | 29 | 29 | 29 | |
| Sound power level | Cooling | dB (A) | 60 | 62 | 65 | | |
| | Heating | | 61 | 62 | 65 | | |
| Heat exchanger type | Dimensions (H × W × D) | | mm | Main 1: 210 × 798 × 26.6 Main 2: 135 × 798 × 20.0 Sub 1: 84 × 798 × 13.3 Sub 2: 84 × 798 × 13.3 | | | |
| | Fin pitch | | mm | Main 1: 1.2 Main 2: 1.1 Sub 1: 1.4 Sub 2: 1.4 | | | |
| | Rows × Stages | | | Main 1: 2 × 10 Main 2: 2 × 8 Sub 1: 1 × 4 Sub 2: 1 × 4 | | | |
| | Pipe type | | | Copper tube | | | |
| | Fin type | | | Aluminum | | | |
| | Material | | | Polystyrene | | | |
| Enclosure | Color | | | White + Pearl white (painted) Approximate color of Munsell N 9.25/ | | | |
| Dimensions (H × W × D) | Net | | mm | 280 × 980 × 240 | | | |
| | Gross | | | 322 × 1,078 × 346 | | | |
| Weight | Net | | kg | 12.5 | | | |
| | Gross | | | 18 | | | |
| Connection pipe | Size | Liquid | mm (in) | Ø6.35 (Ø1/4) | | | |
| | | Gas | | Ø12.70 (Ø1/2) | | | |
| | Method | | | | Flare | | |
| Drain hose | Material | | | PP + HDPE | | | |
| | Tip diameter | | mm | Ø13.8 (I.D.), Ø15.8 to Ø16.7 (O.D) | | | |
| Operation range | Cooling | °C | | 18 to 32 | | | |
| | | %RH | | 80 or less | | | |
| | Heating | °C | | 16 to 30 | | | |
| Remote controller type | | | | Wireless (Option: Wired, Mobile app ^{*2} [FGLair™]) | | | |
| NOTES: | | | | | | | |
| <ul style="list-style-type: none"> The protective function might work when using it outside the operation range. *1: Sound pressure level: <ul style="list-style-type: none"> These are the measured values in the manufacturer's anechoic chamber. Because of the surrounding sound environment, the sound levels measured in actual installation conditions might be higher than the specified values here. *2: Available on Google Play™ store or on App Store®. Optional WLAN Adapter is also required. For details, refer to the setting manual. | | | | | | | |

| Model name | | | | ASYG07KMTB | ASYG09KMTB | ASYG12KMTB | ASYG14KMTB | |
|---|------------------------|---------|-------------------|---|------------|------------|--|-----|
| Power supply | | | | 1Ø 230 V~ 50 Hz | | | | |
| Available voltage range | | | | 198—264 V | | | | |
| Capacity | | | kW class | 2.0 | 2.5 | 3.5 | 4.0 | |
| Input power | | | W | 23 | 27 | 27 | 33 | |
| Running current | | | A | 0.20 | 0.24 | 0.24 | 0.30 | |
| Fan | Airflow rate | Cooling | HIGH | m ³ /h | 650 | 700 | 700 | 770 |
| | | | MED | | 540 | 560 | 560 | 600 |
| | | | LOW | | 430 | 430 | 430 | 450 |
| | | | QUIET | | 270 | 270 | 270 | 280 |
| | | Heating | HIGH | | 720 | 750 | 770 | 800 |
| | | | MED | | 580 | 610 | 640 | 660 |
| | | | LOW | | 460 | 470 | 520 | 520 |
| | | | QUIET | | 330 | 330 | 330 | 340 |
| | Type × Qty | | Crossflow fan × 1 | | | | | |
| | Motor output | | | W | 30 | | | 49 |
| Sound pressure level*1 | Cooling | HIGH | dB (A) | 38 | 40 | 40 | 43 | |
| | | MED | | 33 | 34 | 35 | 36 | |
| | | LOW | | 29 | 29 | 30 | 30 | |
| | | QUIET | | 21 | 21 | 21 | 21 | |
| | Heating | HIGH | | 41 | 42 | 42 | 44 | |
| | | MED | | 35 | 36 | 38 | 39 | |
| | | LOW | | 31 | 31 | 33 | 33 | |
| | | QUIET | | 22 | 22 | 22 | 24 | |
| Sound power level | Cooling | dB (A) | 54 | 55 | 55 | 57 | | |
| | Heating | | 56 | 57 | 58 | 59 | | |
| Heat exchanger type | Dimensions (H × W × D) | | mm | Main 1: 210 × 670 × 26.6 Main 2: 112 × 670 × 20.0 | | | Main 1: 210 × 670 × 26.6 Main 2: 112 × 670 × 20.0 Sub: 84 × 670 × 13.3 | |
| | Fin pitch | | mm | Main 1: 1.2 Main 2: 1.1 | | | Main 1: 1.2 Main 2: 1.1 Sub: 1.4 | |
| | Rows × Stages | | | Main 1: 2 × 10 Main 2: 2 × 7 | | | Main 1: 2 × 10 Main 2: 2 × 7 Sub: 1 × 4 | |
| | Pipe type | | | Copper tube | | | | |
| | Fin type | | | Aluminum | | | | |
| Enclosure | Material | | | Polystyrene | | | | |
| | Color | | | White + Pearl white (painted) Approximate color of Munsell N 9.25/ | | | | |
| Dimensions (H × W × D) | Net | | mm | 270 × 834 × 222 | | | | |
| | Gross | | | 277 × 914 × 332 | | | | |
| Weight | Net | | kg | 10.0 | | | | |
| | Gross | | | 12.5 | | 13.0 | | |
| Connection pipe | Size | Liquid | mm (in) | Ø6.35 (Ø1/4) | | | | |
| | | Gas | | Ø9.52 (Ø3/8) | | | | |
| | Method | | | | Flare | | | |
| Drain hose | Material | | | PP + HDPE | | | | |
| | Tip diameter | | mm | Ø13.8 (I.D.), Ø15.0 to Ø16.8 (O.D.) | | | | |
| Operation range | Cooling | °C | 18 to 32 | | | | | |
| | | %RH | 80 or less | | | | | |
| | Heating | °C | 16 to 30 | | | | | |
| Remote controller type | | | | Wireless (Option: Wired, Mobile app*2 [FGLair™]) | | | | |
| NOTES: | | | | | | | | |
| <ul style="list-style-type: none"> The protective function might work when using it outside the operation range. *1: Sound pressure level: <ul style="list-style-type: none"> These are the measured values in the manufacturer's anechoic chamber. Because of the surrounding sound environment, the sound levels measured in actual installation conditions might be higher than the specified values here. *2: Available on Google Play™ store or on App Store®. Optional WLAN Adapter is also required. For details, refer to the setting manual. | | | | | | | | |

| Model name | | | | ASYG07KMCC | ASYG09KMCC | ASYG12KMCC | ASYG14KMCC | |
|---|--------------|--------------|-------------------|--|------------|--|------------|-----|
| Power supply | | | | 1Ø 230 V~ 50 Hz | | | | |
| Available voltage range | | | | 198—264 V | | | | |
| Capacity | | kW class | | 2.0 | 2.5 | 3.5 | 4.0 | |
| Input power | | | | W | | | | |
| Running current | | | | A | | | | |
| Fan | Airflow rate | Cooling | HIGH | m ³ /h | 650 | 700 | 700 | 770 |
| | | | MED | | 540 | 560 | 560 | 600 |
| | | | LOW | | 430 | 430 | 430 | 450 |
| | | | QUIET | | 320 | 320 | 320 | 310 |
| | | Heating | HIGH | | 720 | 750 | 780 | 820 |
| | | | MED | | 580 | 610 | 640 | 660 |
| | | | LOW | | 460 | 470 | 520 | 520 |
| | | | QUIET | | 330 | 330 | 330 | 340 |
| | Type × Qty | | Crossflow fan × 1 | | | | | |
| | Motor output | | W | | | | | |
| Sound pressure level*1 | | | | dB (A) | | | | |
| | Cooling | HIGH | dB (A) | 38 | 40 | 40 | 43 | |
| | | MED | | 33 | 34 | 35 | 36 | |
| | | LOW | | 29 | 29 | 30 | 30 | |
| | | QUIET | | 21 | 21 | 21 | 21 | |
| | Heating | HIGH | | 41 | 42 | 42 | 44 | |
| | | MED | | 35 | 36 | 38 | 39 | |
| | | LOW | | 31 | 31 | 33 | 33 | |
| | | QUIET | | 22 | 22 | 22 | 24 | |
| Sound power level | | dB (A) | | 54 | 55 | 57 | 59 | |
| | | | | 56 | 57 | 58 | 59 | |
| Heat exchanger type | | | | Dimensions (H × W × D) | | Main 1: 210 × 670 × 26.6 Main 2: 112 × 670 × 20.0 | | |
| | | | | Fin pitch | | Main 1: 1.2 Main 2: 1.1 | | |
| | | | | Rows × Stages | | Main 1: 2 × 10 Main 2: 2 × 7 | | |
| | | | | Pipe type | | Copper tube | | |
| | | | | Aluminum | | | | |
| Enclosure | | | | Polystyrene | | | | |
| | | | | White + Pearl white (painted) | | | | |
| | | | | Approximate color of Munsell N 9.25/ | | | | |
| Dimensions (H × W × D) | | Net | | mm | | | | |
| | | Gross | | 270 × 834 × 222 | | | | |
| | | | | 277 × 914 × 332 | | | | |
| Weight | | Net | | kg | | | | |
| | | Gross | | 10.0 | | | | |
| | | | | 12.5 | | | | |
| | | | | 13.0 | | | | |
| Connection pipe | | Size | | mm (in) | | | | |
| | | Liquid | | Ø6.35 (Ø1/4) | | | | |
| | | Gas | | Ø9.52 (Ø3/8) | | | | |
| | | Method | | Flare | | | | |
| Drain hose | | Material | | PP + HDPE | | | | |
| | | Tip diameter | | mm | | | | |
| | | | | Ø13.8 (I.D.), Ø15.0 to Ø16.8 (O.D.) | | | | |
| Operation range | | Cooling | | °C | | | | |
| | | | | 18 to 32 | | | | |
| | | | | %RH | | | | |
| | | | | 80 or less | | | | |
| | | Heating | | °C | | | | |
| | | | | 16 to 30 | | | | |
| Remote controller type | | | | Wireless (Option: Wired, Mobile app*2 [FGLair™]) | | | | |
| NOTES: | | | | | | | | |
| <ul style="list-style-type: none"> The protective function might work when using it outside the operation range. *1: Sound pressure level: <ul style="list-style-type: none"> These are the measured values in the manufacturer's anechoic chamber. Because of the surrounding sound environment, the sound levels measured in actual installation conditions might be higher than the specified values here. *2: Available on Google Play™ store or on App Store®. Optional WLAN Adapter is also required. For details, refer to the setting manual. | | | | | | | | |

| Model name | | | | ASYG07KMCE | ASYG09KMCE | ASYG12KMCE | ASYG14KMCE | |
|---|--------------|--------------|-------------------|--|------------|--|------------|-----|
| Power supply | | | | 1Ø 230 V~ 50 Hz | | | | |
| Available voltage range | | | | 198—264 V | | | | |
| Capacity | | kW class | | 2.0 | 2.5 | 3.5 | 4.0 | |
| Input power | | | | W | | | | |
| Running current | | | | A | | | | |
| Fan | Airflow rate | Cooling | HIGH | m ³ /h | 650 | 700 | 700 | 770 |
| | | | MED | | 540 | 560 | 560 | 600 |
| | | | LOW | | 430 | 430 | 430 | 450 |
| | | | QUIET | | 320 | 320 | 320 | 310 |
| | | Heating | HIGH | | 720 | 750 | 780 | 820 |
| | | | MED | | 580 | 610 | 640 | 660 |
| | | | LOW | | 460 | 470 | 520 | 520 |
| | | | QUIET | | 330 | 330 | 330 | 340 |
| | Type × Qty | | Crossflow fan × 1 | | | | | |
| | Motor output | | W | | | | | |
| Sound pressure level*1 | | | | dB (A) | | | | |
| | Cooling | HIGH | dB (A) | 38 | 40 | 40 | 43 | |
| | | MED | | 33 | 34 | 35 | 36 | |
| | | LOW | | 29 | 29 | 30 | 30 | |
| | | QUIET | | 21 | 21 | 21 | 21 | |
| | Heating | HIGH | | 41 | 42 | 42 | 44 | |
| | | MED | | 35 | 36 | 38 | 39 | |
| | | LOW | | 31 | 31 | 33 | 33 | |
| | | QUIET | | 22 | 22 | 22 | 24 | |
| Sound power level | | dB (A) | | 54 | 55 | 57 | 59 | |
| | | | | 56 | 57 | 58 | 59 | |
| Heat exchanger type | | | | Dimensions (H × W × D) | | Main 1: 210 × 670 × 26.6 Main 2: 112 × 670 × 20.0 | | |
| | | | | Fin pitch | | Main 1: 1.2 Main 2: 1.1 | | |
| | | | | Rows × Stages | | Main 1: 2 × 10 Main 2: 2 × 7 | | |
| | | | | Pipe type | | Copper tube | | |
| | | | | Aluminum | | | | |
| Enclosure | | | | Polystyrene | | | | |
| | | | | White + Pearl white (painted) | | | | |
| | | | | Approximate color of Munsell N 9.25/ | | | | |
| Dimensions (H × W × D) | | Net | | mm | | 270 × 834 × 222 | | |
| | | Gross | | | | 277 × 914 × 332 | | |
| Weight | | Net | | kg | | 10.0 | | |
| | | Gross | | | | 12.5 | | |
| | | | | | | 13.0 | | |
| Connection pipe | | Size | | mm (in) | | Ø6.35 (Ø1/4) | | |
| | | Liquid | | | | Ø9.52 (Ø3/8) | | |
| | | Gas | | | | | | |
| | | Method | | | | Flare | | |
| Drain hose | | | | Material | | | | |
| | | | | PP + HDPE | | | | |
| | | Tip diameter | | mm | | Ø13.8 (I.D.), Ø15.0 to Ø16.8 (O.D.) | | |
| Operation range | | Cooling | | °C | | 18 to 32 | | |
| | | | | %RH | | 80 or less | | |
| | | Heating | | °C | | 16 to 30 | | |
| Remote controller type | | | | Wireless (Option: Wired, Mobile app*2 [FGLair™]) | | | | |
| NOTES: | | | | | | | | |
| <ul style="list-style-type: none"> The protective function might work when using it outside the operation range. *1: Sound pressure level: <ul style="list-style-type: none"> These are the measured values in the manufacturer's anechoic chamber. Because of the surrounding sound environment, the sound levels measured in actual installation conditions might be higher than the specified values here. *2: Available on Google Play™ store or on App Store®. Optional WLAN Adapter is also required. For details, refer to the setting manual. | | | | | | | | |

| Model name | | | | ASYG07KMCF | ASYG09KMCF | ASYG12KMCF | ASYG14KMCF | |
|---|--------------|--------------|-------------------|--|------------|---|------------|-----|
| Power supply | | | | 1Ø 230 V~ 50 Hz | | | | |
| Available voltage range | | | | 198—264 V | | | | |
| Capacity | | kW class | | 2.0 | 2.5 | 3.5 | 4.0 | |
| Input power | | | | W | | | | |
| Running current | | | | A | | | | |
| Fan | Airflow rate | Cooling | HIGH | m ³ /h | 650 | 700 | 700 | 770 |
| | | | MED | | 540 | 560 | 560 | 600 |
| | | | LOW | | 430 | 430 | 430 | 450 |
| | | | QUIET | | 320 | 320 | 320 | 310 |
| | | Heating | HIGH | | 720 | 750 | 780 | 820 |
| | | | MED | | 580 | 610 | 640 | 660 |
| | | | LOW | | 460 | 470 | 520 | 520 |
| | | | QUIET | | 330 | 330 | 330 | 340 |
| | Type × Qty | | Crossflow fan × 1 | | | | | |
| | Motor output | | W | | | | | |
| Sound pressure level*1 | | | | dB (A) | | | | |
| | Cooling | HIGH | dB (A) | 38 | 40 | 40 | 43 | |
| | | MED | | 33 | 34 | 35 | 36 | |
| | | LOW | | 29 | 29 | 30 | 30 | |
| | | QUIET | | 21 | 21 | 21 | 21 | |
| | Heating | HIGH | | 41 | 42 | 42 | 44 | |
| | | MED | | 35 | 36 | 38 | 39 | |
| | | LOW | | 31 | 31 | 33 | 33 | |
| | | QUIET | | 22 | 22 | 22 | 24 | |
| Sound power level | | dB (A) | | 54 | 55 | 57 | 59 | |
| | | | | 56 | 57 | 58 | 59 | |
| Heat exchanger type | | | | Dimensions (H × W × D) | | Main 1: 210 × 670 × 26.6 Main 2: 112 × 670 × 20.0 | | |
| | | | | Fin pitch | | Main 1: 1.2 Main 2: 1.1 | | |
| | | | | Rows × Stages | | Main 1: 2 × 10 Main 2: 2 × 7 | | |
| | | | | Pipe type | | Copper tube | | |
| | | | | Fin type | | Aluminum | | |
| Enclosure | | | | Material | | Polystyrene | | |
| | | | | Color | | White + Pearl white (painted) Approximate color of Munsell N 9.25/ | | |
| Dimensions (H × W × D) | | Net | | mm | | 270 × 834 × 222 | | |
| | | Gross | | | | 277 × 914 × 332 | | |
| Weight | | Net | | kg | | 10.0 | | |
| | | Gross | | | | 12.5 | | |
| Connection pipe | | Size | | mm (in) | | Ø6.35 (Ø1/4) | | |
| | | Liquid | | | | Ø9.52 (Ø3/8) | | |
| | | Gas | | | | | | |
| | | | | Method | | Flare | | |
| Drain hose | | | | Material | | PP + HDPE | | |
| | | Tip diameter | | mm | | Ø13.8 (I.D.), Ø15.0 to Ø16.8 (O.D.) | | |
| Operation range | | Cooling | | °C | | 18 to 32 | | |
| | | | | %RH | | 80 or less | | |
| | | Heating | | °C | | 16 to 30 | | |
| Remote controller type | | | | Wireless (Option: Wired, Mobile app*2 [AIRSTAGE Mobile]) | | | | |
| NOTES: | | | | | | | | |
| <ul style="list-style-type: none"> The protective function might work when using it outside the operation range. *1: Sound pressure level: <ul style="list-style-type: none"> These are the measured values in the manufacturer's anechoic chamber. Because of the surrounding sound environment, the sound levels measured in actual installation conditions might be higher than the specified values here. *2: Available on Google Play™ store or on App Store®. | | | | | | | | |

| Model name | | | ASYG07KETA ASYG07KETA-B | ASYG09KETA ASYG09KETA-B | ASYG12KETA ASYG12KETA-B | ASYG14KETA ASYG14KETA-B | |
|---|------------------------|--|--|----------------------------|----------------------------|--|-----|
| Power supply | | | 1Ø 230 V~ 50 Hz | | | | |
| Available voltage range | | | 198—264 V | | | | |
| Capacity | kW class | | 2.0 | 2.5 | 3.5 | 4.0 | |
| Input power | W | | 23 | 27 | 27 | 33 | |
| Running current | A | | 0.20 | 0.24 | 0.24 | 0.30 | |
| Fan | Airflow rate | Cooling | HIGH | 650 | 700 | 700 | 770 |
| | | | MED | 540 | 560 | 560 | 600 |
| | | | LOW | 430 | 430 | 430 | 450 |
| | | | QUIET | 270 | 270 | 270 | 280 |
| | | Heating | HIGH | 720 | 750 | 770 | 800 |
| | | | MED | 580 | 610 | 640 | 660 |
| | | | LOW | 460 | 470 | 520 | 520 |
| | | | QUIET | 330 | 330 | 330 | 340 |
| | Type × Qty | Crossflow fan × 1 | | | | | |
| | Motor output | W | | 30 | | | 49 |
| Sound pressure level*1 | Cooling | HIGH | 38 | 40 | 40 | 43 | |
| | | MED | 33 | 34 | 35 | 36 | |
| | | LOW | 29 | 29 | 30 | 30 | |
| | | QUIET | 21 | 21 | 21 | 21 | |
| | Heating | HIGH | 41 | 42 | 42 | 44 | |
| | | MED | 35 | 36 | 38 | 39 | |
| | | LOW | 31 | 31 | 33 | 33 | |
| | | QUIET | 22 | 22 | 22 | 24 | |
| Sound power level | Cooling | dB (A) | | 54 | 55 | 57 | |
| Heating | dB (A) | | 56 | 57 | 58 | 59 | |
| Heat exchanger type | Dimensions (H × W × D) | mm | Main 1: 210 × 670 × 26.6 Main 2: 112 × 670 × 20.0 | | | Main 1: 210 × 670 × 26.6 Main 2: 112 × 670 × 20.0 Sub: 84 × 670 × 13.3 | |
| | Fin pitch | mm | Main 1: 1.2 Main 2: 1.1 | | | Main 1: 1.2 Main 2: 1.1 Sub: 1.4 | |
| | Rows × Stages | | Main 1: 2 × 10 Main 2: 2 × 7 | | | Main 1: 2 × 10 Main 2: 2 × 7 Sub: 1 × 4 | |
| | Pipe type | | Copper tube | | | | |
| | Fin type | | Aluminum | | | | |
| Enclosure | Material | Polystyrene | | | | | |
| | Color | KETA: White + Pearl white (painted) Approximate color of Munsell N 9.25/ KETA-B: Dark Gray + Silver (painted) Approximate color of Munsell 0.5P 3.5/0.2 | | | | | |
| Dimensions (H × W × D) | Net | mm | 295 × 950 × 230 | | | | |
| | Gross | mm | 284 × 1,027 × 357 | | | | |
| Weight | Net | kg | 11.0 | | | 11.5 | |
| | Gross | kg | 14.5 | | | 15.0 | |
| Connection pipe | Size | Liquid | Ø6.35 (Ø1/4) | | | | |
| | Gas | mm (in) | Ø9.52 (Ø3/8) | | | | |
| Drain hose | Method | Flare | | | | | |
| | Material | PP + HDPE | | | | | |
| Operation range | Tip diameter | mm | Ø13.8 (I.D.), Ø15.0 to Ø16.8 (O.D.) | | | | |
| | Cooling | °C | 18 to 32 | | | | |
| %RH | | 80 or less | | | | | |
| Remote controller type | Heating | °C | 16 to 30 | | | | |
| | | | Wireless (Option: Wired, Mobile app*2 [FGLair™]) | | | | |
| NOTES: | | | | | | | |
| <ul style="list-style-type: none"> The protective function might work when using it outside the operation range. *1: Sound pressure level: <ul style="list-style-type: none"> These are the measured values in the manufacturer's anechoic chamber. Because of the surrounding sound environment, the sound levels measured in actual installation conditions might be higher than the specified values here. *2: Available on Google Play™ store or on App Store®. Optional WLAN Adapter is also required. For details, refer to the setting manual. | | | | | | | |

| Model name | | | | ASYG07KETE ASYG07KETE-B | ASYG09KETE ASYG09KETE-B | ASYG12KETE ASYG12KETE-B | ASYG14KETE ASYG14KETE-B | |
|---|------------------------|----------|--|--|-------------------------------------|---|--|-----|
| Power supply | | | | 1Ø 230 V~ 50 Hz | | | | |
| Available voltage range | | | | 198—264 V | | | | |
| Capacity | | kW class | | 2.0 | 2.5 | 3.5 | 4.0 | |
| Input power | | W | | 23 | 27 | 27 | 33 | |
| Running current | | A | | 0.20 | 0.24 | 0.24 | 0.30 | |
| Fan | Airflow rate | Cooling | HIGH | m ³ /h | 650 | 700 | 700 | 770 |
| | | | MED | | 540 | 560 | 560 | 600 |
| | | | LOW | | 430 | 430 | 430 | 450 |
| | | | QUIET | | 270 | 270 | 270 | 280 |
| | | Heating | HIGH | | 720 | 750 | 770 | 800 |
| | | | MED | | 580 | 610 | 640 | 660 |
| | | | LOW | | 460 | 470 | 520 | 520 |
| | | | QUIET | | 330 | 330 | 330 | 340 |
| | Type × Qty | | Crossflow fan × 1 | | | | | |
| | Motor output | | W | | 30 | | | 49 |
| Sound pressure level*1 | Cooling | HIGH | dB (A) | 38 | 40 | 40 | 43 | |
| | | | | MED | 33 | 34 | 35 | 36 |
| | | | | LOW | 29 | 29 | 30 | 30 |
| | | | | QUIET | 21 | 21 | 21 | 21 |
| | Heating | HIGH | | 41 | 42 | 42 | 44 | |
| | | | | MED | 35 | 36 | 38 | 39 |
| | | | | LOW | 31 | 31 | 33 | 33 |
| | | | | QUIET | 22 | 22 | 22 | 24 |
| Sound power level | Cooling | dB (A) | | 54 | 55 | | 57 | |
| | Heating | dB (A) | | 56 | 57 | 58 | 59 | |
| Heat exchanger type | Dimensions (H × W × D) | | mm | Main 1: 210 × 670 × 26.6 Main 2: 112 × 670 × 20.0 | | | Main 1: 210 × 670 × 26.6 Main 2: 112 × 670 × 20.0 Sub: 84 × 670 × 13.3 | |
| | Fin pitch | | mm | Main 1: 1.2 Main 2: 1.1 | | | Main 1: 1.2 Main 2: 1.1 Sub: 1.4 | |
| | Rows × Stages | | Main 1: 2 × 10 Main 2: 2 × 7 | | | Main 1: 2 × 10 Main 2: 2 × 7 Sub: 1 × 4 | | |
| | Pipe type | | Copper tube | | | | | |
| | Fin type | | Aluminum | | | | | |
| Enclosure | Material | | Polystyrene | | | | | |
| | Color | | KETE: White + Pearl white (painted) Approximate color of Munsell N 9.25/ KETE-B: Dark Gray + Silver (painted) Approximate color of Munsell 0.5P 3.5/0.2 | | | | | |
| Dimensions (H × W × D) | Net | mm | | 295 × 950 × 230 | | | | |
| | Gross | mm | | 284 × 1,027 × 357 | | | | |
| Weight | Net | kg | | 11.0 | | | 11.5 | |
| | Gross | kg | | 14.5 | | | 15.0 | |
| Connection pipe | Size | Liquid | mm (in) | Ø6.35 (Ø1/4) | | | | |
| | | Gas | | Ø9.52 (Ø3/8) | | | | |
| | Method | | | Flare | | | | |
| Drain hose | Material | | PP + HDPE | | | | | |
| | Tip diameter | | mm | | Ø13.8 (I.D.), Ø15.0 to Ø16.8 (O.D.) | | | |
| Operation range | Cooling | °C | | 18 to 32 | | | | |
| | | %RH | | 80 or less | | | | |
| Operation range | Heating | °C | | 16 to 30 | | | | |
| | | °C | | 16 to 30 | | | | |
| Remote controller type | | | | Wireless (Option: Wired, Mobile app*2 [FGLair™]) | | | | |
| NOTES: | | | | | | | | |
| <ul style="list-style-type: none"> The protective function might work when using it outside the operation range. *1: Sound pressure level: <ul style="list-style-type: none"> These are the measured values in the manufacturer's anechoic chamber. Because of the surrounding sound environment, the sound levels measured in actual installation conditions might be higher than the specified values here. *2: Available on Google Play™ store or on App Store®. Optional WLAN Adapter is also required. For details, refer to the setting manual. | | | | | | | | |

| Model name | | | | ASYG07KETF ASYG07KETF-B | ASYG09KETF ASYG09KETF-B | ASYG12KETF ASYG12KETF-B | ASYG14KETF ASYG14KETF-B | |
|---|------------------------|----------|--|--|----------------------------|----------------------------|--|-----|
| Power supply | | | | 1Ø 230 V~ 50 Hz | | | | |
| Available voltage range | | | | 198—264 V | | | | |
| Capacity | | kW class | | 2.0 | 2.5 | 3.5 | 4.0 | |
| Input power | | W | | 23 | 27 | 27 | 33 | |
| Running current | | A | | 0.20 | 0.24 | 0.24 | 0.30 | |
| Fan | Airflow rate | Cooling | HIGH | m ³ /h | 650 | 700 | 700 | 770 |
| | | | MED | | 540 | 560 | 560 | 600 |
| | | | LOW | | 430 | 430 | 430 | 450 |
| | | | QUIET | | 270 | 270 | 270 | 280 |
| | | Heating | HIGH | | 720 | 750 | 770 | 800 |
| | | | MED | | 580 | 610 | 640 | 660 |
| | | | LOW | | 460 | 470 | 520 | 520 |
| | | | QUIET | | 330 | 330 | 330 | 340 |
| | Type × Qty | | Crossflow fan × 1 | | | | | |
| | Motor output | | W | | 30 | | | 49 |
| Sound pressure level*1 | Cooling | HIGH | dB (A) | 38 | 40 | 40 | 43 | |
| | | | | MED | 33 | 34 | 35 | 36 |
| | | | | LOW | 29 | 29 | 30 | 30 |
| | | | | QUIET | 21 | 21 | 21 | 21 |
| | Heating | HIGH | | 41 | 42 | 42 | 44 | |
| | | | | MED | 35 | 36 | 38 | 39 |
| | | | | LOW | 31 | 31 | 33 | 33 |
| | | | | QUIET | 22 | 22 | 22 | 24 |
| Sound power level | Cooling | dB (A) | | 54 | 55 | | 57 | |
| | Heating | dB (A) | | 56 | 57 | 58 | 59 | |
| Heat exchanger type | Dimensions (H × W × D) | | mm | Main 1: 210 × 670 × 26.6 Main 2: 112 × 670 × 20.0 | | | Main 1: 210 × 670 × 26.6 Main 2: 112 × 670 × 20.0 Sub: 84 × 670 × 13.3 | |
| | Fin pitch | | mm | Main 1: 1.2 Main 2: 1.1 | | | Main 1: 1.2 Main 2: 1.1 Sub: 1.4 | |
| | Rows × Stages | | | Main 1: 2 × 10 Main 2: 2 × 7 | | | Main 1: 2 × 10 Main 2: 2 × 7 Sub: 1 × 4 | |
| | Pipe type | | Copper tube | | | | | |
| | Fin type | | Aluminum | | | | | |
| Enclosure | Material | | Polystyrene | | | | | |
| | Color | | KETF: White + Pearl white (painted) Approximate color of Munsell N 9.25/ KETF-B: Dark Gray + Silver (painted) Approximate color of Munsell 0.5P 3.5/0.2 | | | | | |
| Dimensions (H × W × D) | Net | mm | | 295 × 950 × 230 | | | | |
| | Gross | mm | | 284 × 1,027 × 357 | | | | |
| Weight | Net | kg | | 11.0 | | 11.5 | | |
| | Gross | kg | | 14.5 | | 15.0 | | |
| Connection pipe | Size | Liquid | mm (in) | Ø6.35 (Ø1/4) | | | | |
| | | Gas | | Ø9.52 (Ø3/8) | | | | |
| | Method | | | Flare | | | | |
| Drain hose | Material | | PP + HDPE | | | | | |
| | Tip diameter | | mm | Ø13.8 (I.D.), Ø15.0 to Ø16.8 (O.D.) | | | | |
| Operation range | Cooling | | °C | 18 to 32 | | | | |
| | Heating | | %RH | 80 or less | | | | |
| | | °C | | 16 to 30 | | | | |
| Remote controller type | | | | Wireless (Option: Wired, Mobile app*2 [AIRSTAGE Mobile]) | | | | |
| NOTES: | | | | | | | | |
| <ul style="list-style-type: none"> • The protective function might work when using it outside the operation range. • *1: Sound pressure level: <ul style="list-style-type: none"> – These are the measured values in the manufacturer's anechoic chamber. – Because of the surrounding sound environment, the sound levels measured in actual installation conditions might be higher than the specified values here. • *2: Available on Google Play™ store or on App Store®. | | | | | | | | |

2-6. Ceiling type

| Model name | | | | ABYG18KRTA | ABYG22KRTA | |
|---|------------------------|----------|-----------------|---|------------|-----|
| Power supply | | | | 1Ø 230 V~ 50 Hz | | |
| Available voltage range | | | | 198—264 V | | |
| Capacity | | kW class | | 5.0 | 6.0 | |
| Input power | | W | | 37 | 46 | |
| Running current | | A | | 0.21 | 0.25 | |
| Fan | Airflow rate | Cooling | HIGH | m ³ /h | 840 | 900 |
| | | | MED | | 790 | 790 |
| | | | LOW | | 710 | 710 |
| | | | QUIET | | 650 | 650 |
| | | Heating | HIGH | | 840 | 900 |
| | | | MED | | 790 | 790 |
| | | | LOW | | 710 | 710 |
| | | | QUIET | | 650 | 650 |
| | Type × Qty | | Sirocco fan × 2 | | | |
| | Motor output | | W | | 50 | 50 |
| Sound pressure level*1 | Cooling | dB (A) | HIGH | 38 | 42 | |
| | | | MED | 36 | 37 | |
| | | | LOW | 33 | 34 | |
| | | | QUIET | 31 | 31 | |
| | Heating | dB (A) | HIGH | 38 | 42 | |
| | | | MED | 36 | 37 | |
| | | | LOW | 33 | 34 | |
| | | | QUIET | 31 | 31 | |
| Sound power level | | dB (A) | | 53 | 57 | |
| Heat exchanger type | Dimensions (H × W × D) | | mm | 294 × 715 × 39.9 | | |
| | Fin pitch | | mm | 1.3 | | |
| | Rows × Stages | | | 3 × 14 | | |
| | Pipe type | | | Copper | | |
| | Fin type | | | Aluminum | | |
| Enclosure | Material | | | Steel sheet | | |
| | Color | | | White Approximate color of Munsell N9.25/ | | |
| Dimensions (H × W × D) | Net | | mm | 235 × 1,080 × 705 | | |
| | Gross | | | 330 × 1,165 × 825 | | |
| Weight | Net | | kg | 24 | 24 | |
| | Gross | | | 33 | 33 | |
| Connection pipe | Size | Liquid | mm (in) | Ø6.35 (Ø1/4) | | |
| | | Gas | | Ø12.70 (Ø1/2) | | |
| | Method | | | Flare | | |
| Drain hose | Material | | | PVC | | |
| | Tip diameter | | mm | Ø25 (I.D.), Ø32 (O.D.) | | |
| Operation range | Cooling | °C | | 18 to 32 | | |
| | | %RH | | 80 or less | | |
| | Heating | °C | | 16 to 30 | | |
| Remote controller type | | | | Wired remote controller, Wireless remote controller, Mobile app*2 (FGLair™) | | |
| NOTES: | | | | | | |
| <ul style="list-style-type: none"> • The protective function might work when using it outside the operation range. • *1: Sound pressure level: <ul style="list-style-type: none"> – These are the measured values in the manufacturer's anechoic chamber. – Because of the surrounding sound environment, the sound levels measured in actual installation conditions might be higher than the specified values here. • *2: Available on Google Play™ store or on App Store®. Optional WLAN Adapter is also required. For details, refer to the setting manual. | | | | | | |

2-7. Floor type

| Model name | | | | AGYG09KVCA | AGYG12KVCA | AGYG14KVCA | |
|---|------------------------|----------|-------------------|--|------------|------------|-----|
| Power supply | | | | 230 V~ 50 Hz | | | |
| Available voltage range | | | | 198—264 V | | | |
| Capacity | | kW class | | 2.5 | 3.5 | 4.0 | |
| Input power | | W | | 16 | 20 | 23 | |
| Running current | | A | | 0.15 | 0.18 | 0.20 | |
| Fan | Airflow rate | Cooling | HIGH | m ³ /h | 530 | 600 | 650 |
| | | | MED | | 440 | 490 | 520 |
| | | | LOW | | 360 | 380 | 400 |
| | | | QUIET | | 270 | 270 | 270 |
| | | Heating | HIGH | | 530 | 600 | 650 |
| | | | MED | | 460 | 510 | 540 |
| | | | LOW | | 380 | 410 | 430 |
| | | | QUIET | | 270 | 270 | 270 |
| | Type × Qty | | Crossflow fan × 2 | | | | |
| | Motor output | | W | | 16 × 2 | | |
| Sound pressure level*1 | Cooling | dB (A) | HIGH | 39 | 42 | 44 | |
| | | | MED | 34 | 36 | 38 | |
| | | | LOW | 28 | 30 | 31 | |
| | | | QUIET | 22 | 22 | 22 | |
| | Heating | dB (A) | HIGH | 39 | 42 | 44 | |
| | | | MED | 35 | 38 | 39 | |
| | | | LOW | 30 | 32 | 33 | |
| | | | QUIET | 22 | 22 | 22 | |
| Sound power level | Cooling | dB (A) | 52 | 55 | 56 | | |
| | Heating | | 52 | 55 | 56 | | |
| Heat exchanger type | Dimensions (H × W × D) | | mm | 378 × 550 × 26.6 | | | |
| | Fin pitch | | | 1.2 | | | |
| | Rows × Stages | | | 2 × 18 | | | |
| | Pipe type | | | Copper tube | | | |
| | Fin type | | | Aluminum | | | |
| Enclosure | Material | | Polystyrene | | | | |
| | Color | | White | | | | |
| Dimensions (H × W × D) | Net | | mm | 600 × 740 × 200 | | | |
| | Gross | | | 700 × 820 × 310 | | | |
| Weight | Net | | kg | 14 | | | |
| | Gross | | | 18 | | | |
| Connection pipe | Size | Liquid | mm (in) | Ø6.35 (Ø1/4) | | | |
| | | Gas | | Ø9.52 (Ø3/8) | | | |
| | Method | | | Flare | | | |
| Drain hose | Material | | PP + LLDPE | | | | |
| | Tip diameter | | mm | | | | |
| Operation range | Cooling | °C | 18 to 32 | | | | |
| | | %RH | 80 or less | | | | |
| | Heating | °C | 30 or less | | | | |
| Remote controller type | | | | Wireless (Option: Wired, Mobile app*2 [FGLair™]) | | | |
| NOTES: | | | | | | | |
| <ul style="list-style-type: none"> The protective function might work when using it outside the operation range. *1: Sound pressure level: <ul style="list-style-type: none"> These are the measured values in the manufacturer's anechoic chamber. Because of the surrounding sound environment, the sound levels measured in actual installation conditions might be higher than the specified values here. *2: Available on Google Play™ store or on App Store®. Optional WLAN Adapter is also required. For details, refer to the setting manual. | | | | | | | |

3. Wireless LAN control (for KGTF, KMCF, KETF, and KETF-B)

By installing mobile app on a smart device, several functions can be controlled from outside the house.

3-1. System requirement

Before using this function, prepare the following items:

- **Wireless router:**

| | |
|---------------------------|--|
| Wireless LAN standard | IEEE802.11b/g/n |
| Frequency bands* | <ul style="list-style-type: none"> • U.S.A., Canada: 2.4 GHz (1ch—11ch) • Other countries: 2.4 GHz (1ch—13ch) |
| Network security standard | <ul style="list-style-type: none"> • Open • WEP • WPA (PSK) • WPA2 Personal (PSK) • WPS for same-LAN registration |

*: Usable only in the country or region where you purchased the product.

To check whether your wireless router complies with the network security standards listed above, refer to the operation manual.

- **Smartphone:**

| | | |
|--------------------------------|----------|---|
| App-compliant operating system | iOS | Check the latest version of supported OS at Google Play store or App Store. |
| | Android™ | |

- **AIRSTAGE Mobile (mobile application):**

Mobile app is available on Google Play store or on App Store.

After installation of mobile app, user registration is required. For user registration and setup information, refer to Setting Manual attached with the product.

For the latest version of the wireless LAN control manuals, refer to the following web site.

<https://www.fujitsu-general.com/global/support/>

3-2. Wireless LAN function list

NOTE: To use the wireless LAN control, user registration in advance and access to the wireless home network are required.

| Item | | Mobile app | Attached Wireless Remote Controller | |
|-----------------------------------|-------------------------------|---|-------------------------------------|-----|
| Air conditioning control function | Operation on/off | ○ | ○ | |
| | Operation mode setting | ○ | ○ | |
| | Set temperature setting | ○ | ○ | |
| | Fan speed setting | ○ | ○ | |
| | Airflow direction setting | Louver position adjustment • Up/down | ○ | ○ |
| | | Swing • Up/down | ○ | ○ |
| | Timer operation | Off timer | — | ○*1 |
| | | On timer | — | ○*1 |
| | | Sleep timer | — | ○*1 |
| | | On/off program timer | — | ○*1 |
| Weekly timer*2 | | ○ | ○*1 | |
| Additional function | POWERFUL operation setting | ○*1 | ○*1 | |
| | ECONOMY operation setting | ○ | ○ | |
| | 10 °C HEAT operation setting | ○*1 | ○*1 | |
| | Room temperature indication | ○ | — | |
| | Fan control for energy saving | ○ | ○ | |

*1: Not operable when Wired Remote Controller is connected.

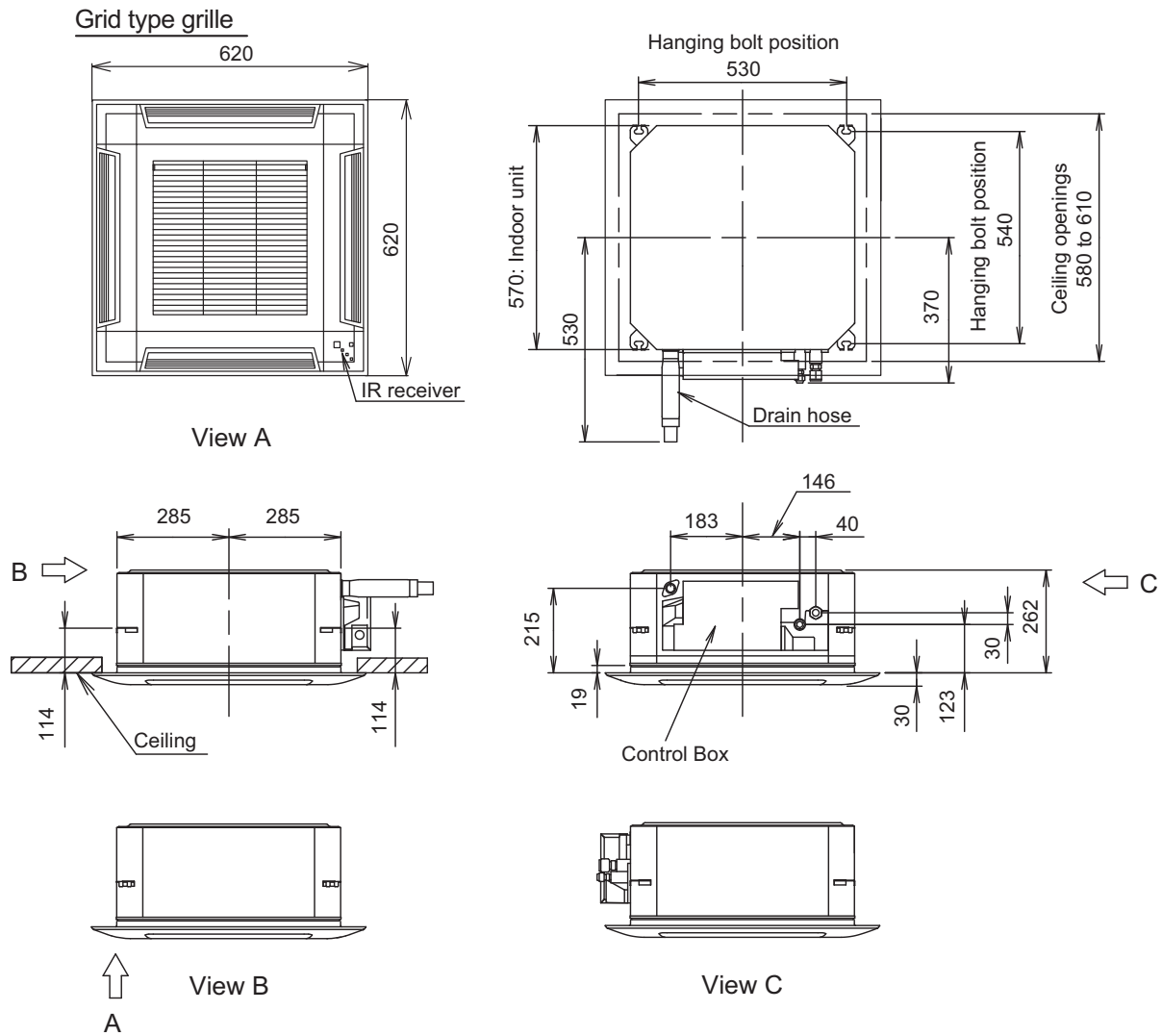
*2: Configurable functions of the weekly timer differs on Wireless Remote Controller and on mobile application. If timer settings are done from mobile application and from Wireless Remote Controller, both timer settings will be active.

4. Dimensions

4-1. Compact cassette type

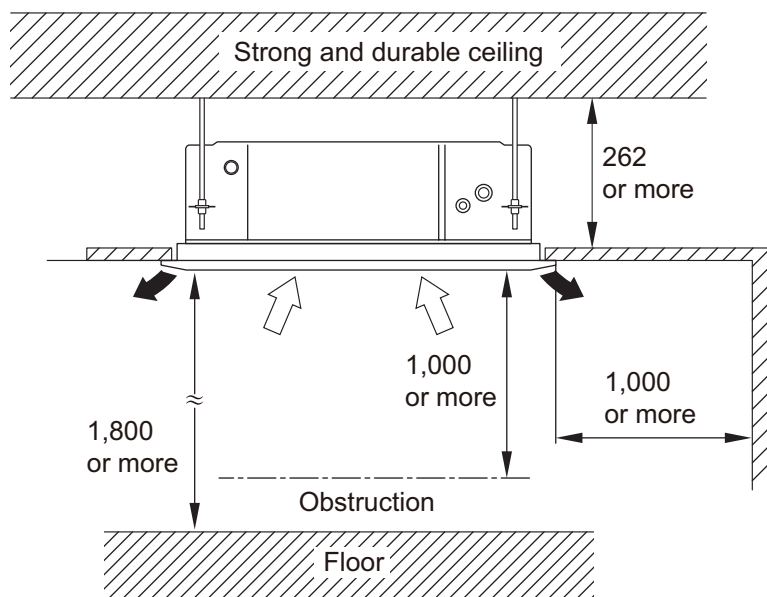
■ Models: AUXG07-22KVLA

Unit: mm



● Installation space requirement

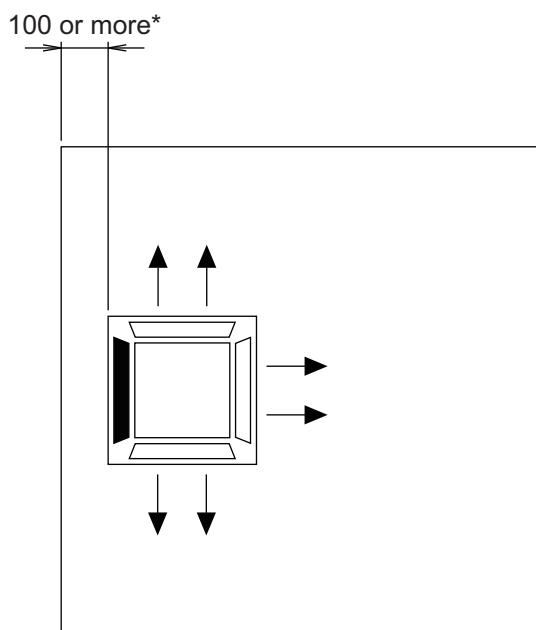
Unit: mm



| Maximum height from floor to ceiling (Unit: mm) | | |
|---|------------------|---------------------|
| | 07 and 09 models | 12 or larger models |
| Standard | 2,700 | |
| High ceiling | — | 3,000 |

● 3-way direction setting

Unit: mm



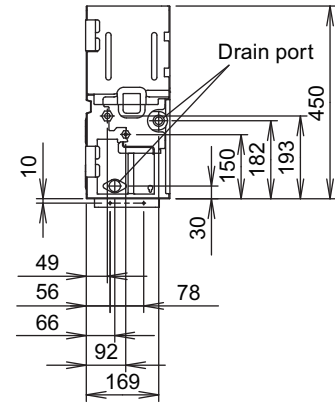
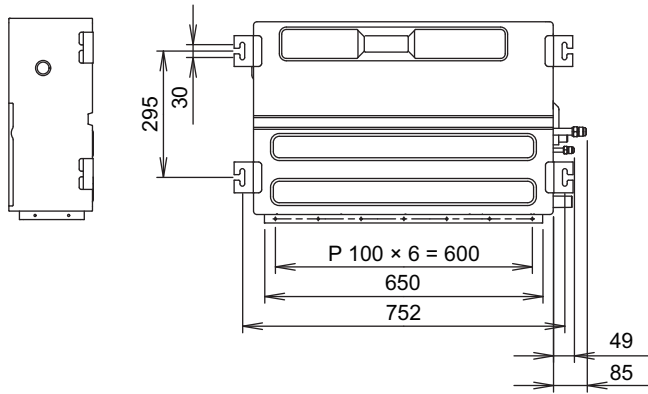
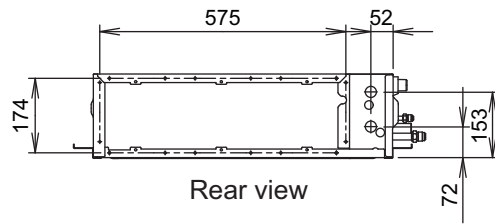
NOTES:

- To set "3-direction", optional Air Outlet Shutter Plate (UTR-YDZB) must be installed, and the "outlet-direction" need to be switched to "3-way" by remote controller.
*When installing the indoor unit, be careful about the maintenance space.
- In 3-way outlet mode, changing of ceiling height setting by function setting 20 is prohibited. (Ceiling height setting [function setting 20] is allowed to be changed only in 4-way outlet mode.)

4-2. Mini duct type

■ Models: ARXG07-14KSLAP

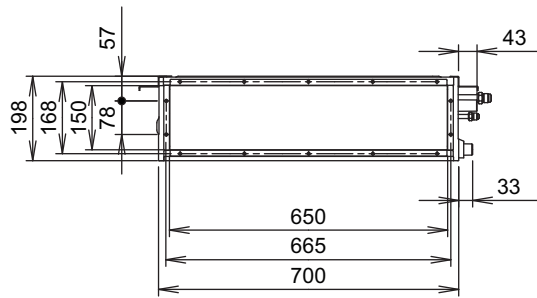
Unit: mm



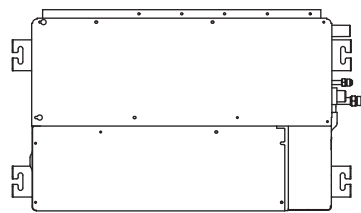
Side view (L)

Top view

Side view (R)



Front view



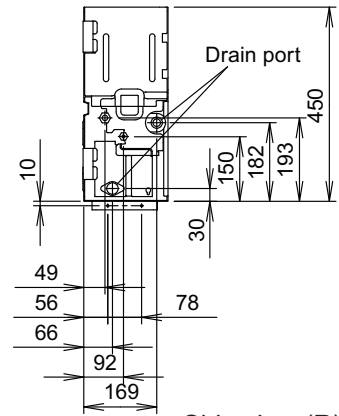
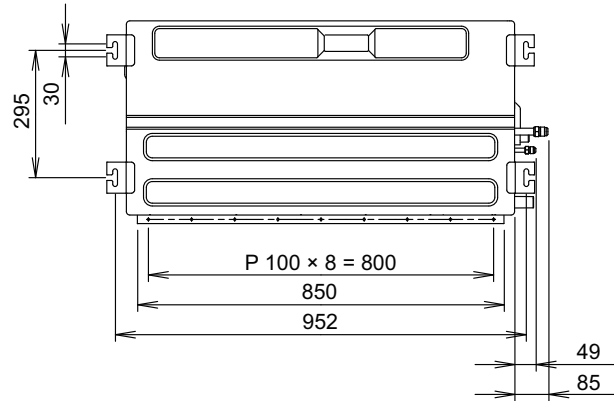
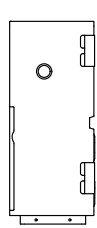
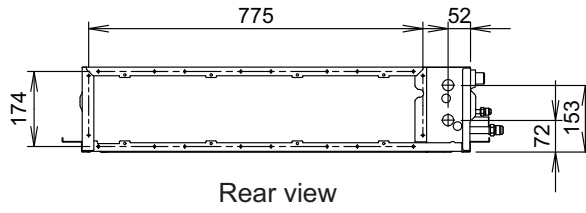
Bottom view

■ Model: ARXG18KSLAP

Unit: mm

4-5 UNIT
MULTI-SPLIT TYPE

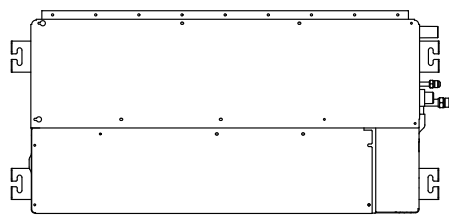
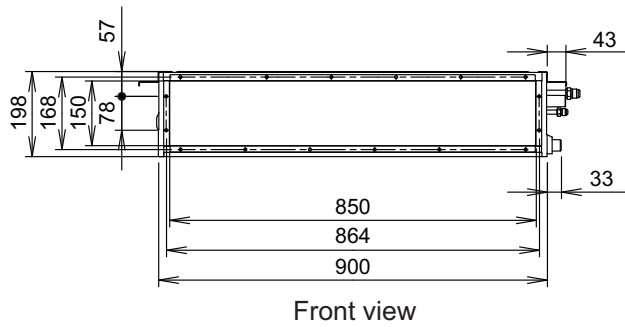
4-5 UNIT
MULTI-SPLIT TYPE



Side view (L)

Top view

Side view (R)

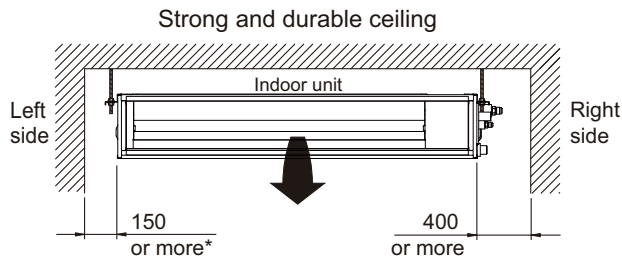


Bottom view

● Installation space requirement

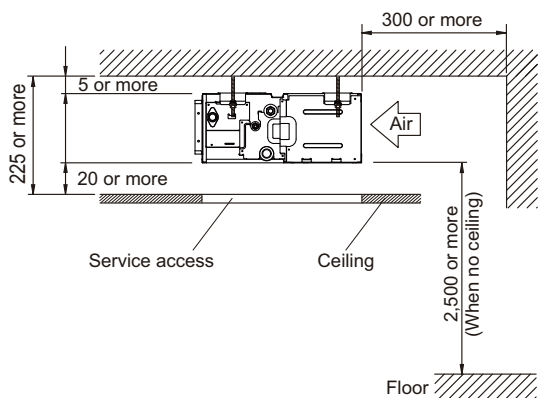
Provide sufficient installation space for product safety.

Unit: mm

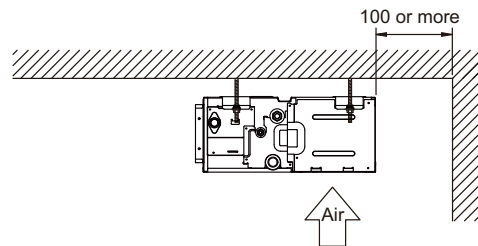


*: 400 or more when drain from drain pipe

• When intaking air from back:



• When intaking air from bottom:

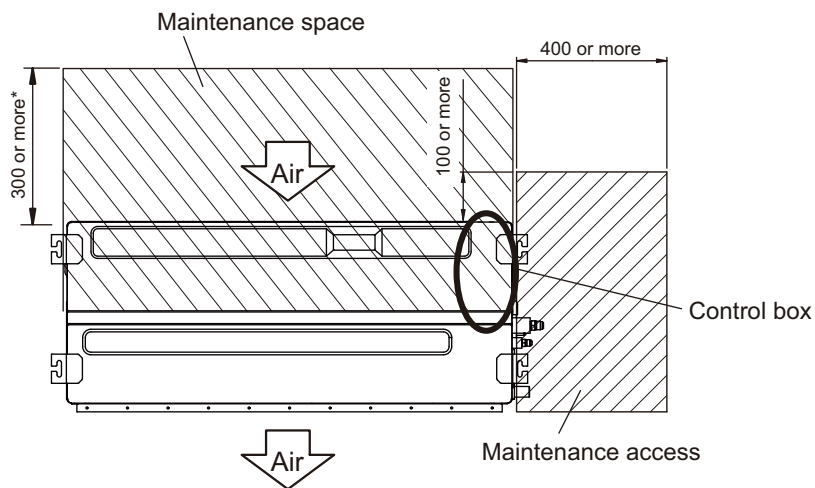


● Maintenance space requirement

Provide sufficient maintenance space for efficient maintenance.

NOTE: Do not place any wiring or illumination in the maintenance space, as they will impede service.

Unit: mm



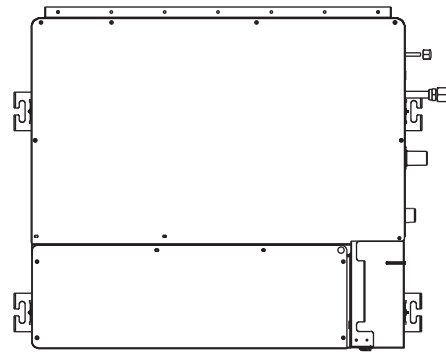
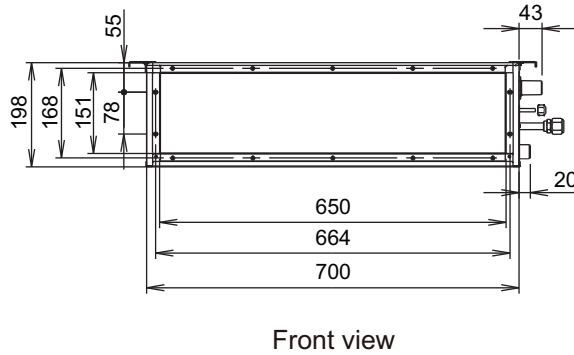
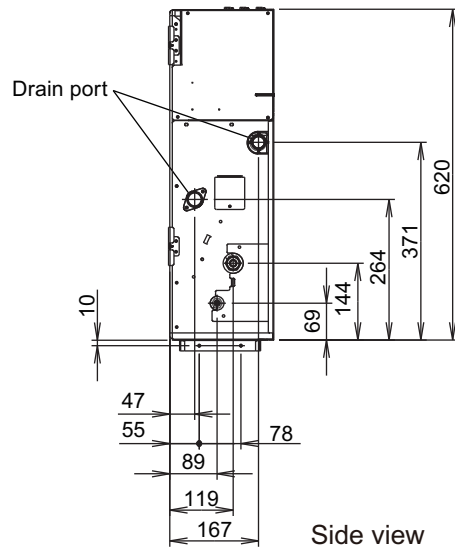
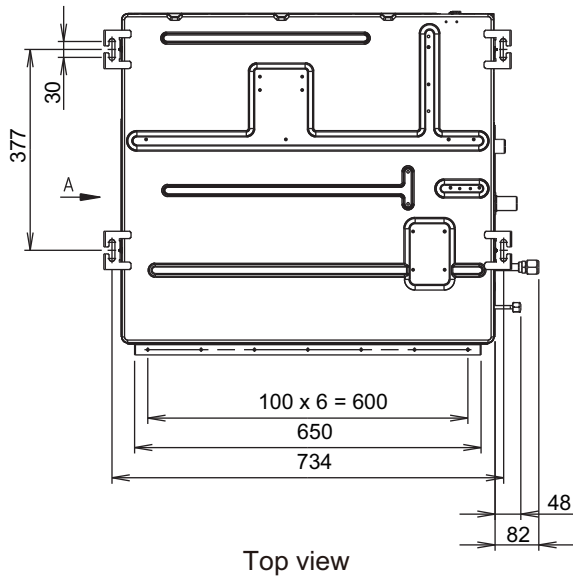
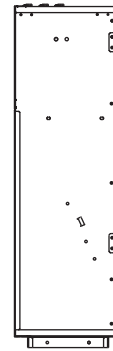
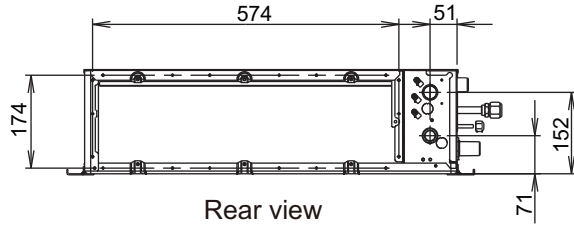
*: More than 100 when intaking air from bottom

Top view

4-3. Slim duct type

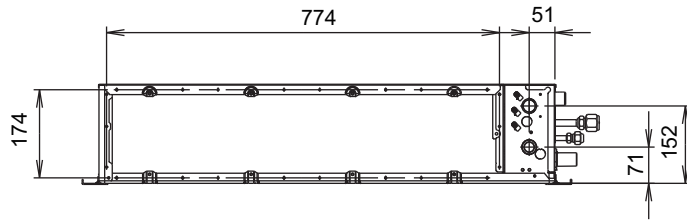
■ Models: ARXG07-14KLLAP

Unit: mm



■ Model: ARXG18KLLAP

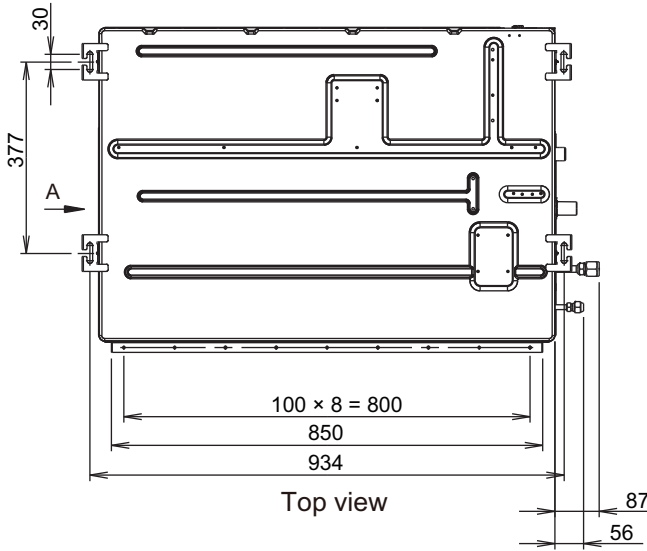
Unit: mm



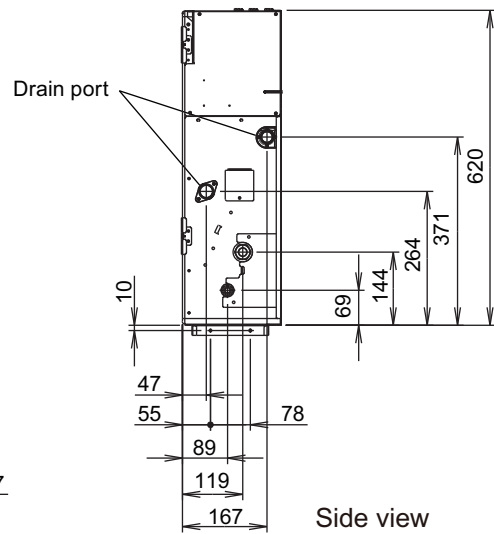
Rear view



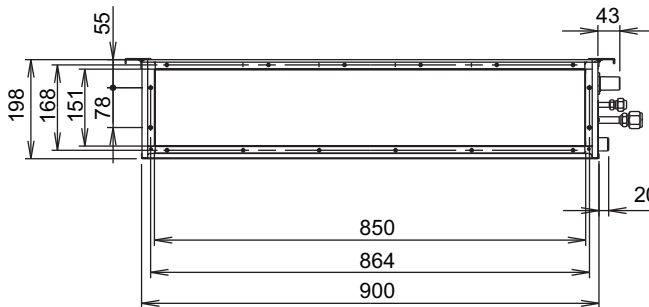
View A



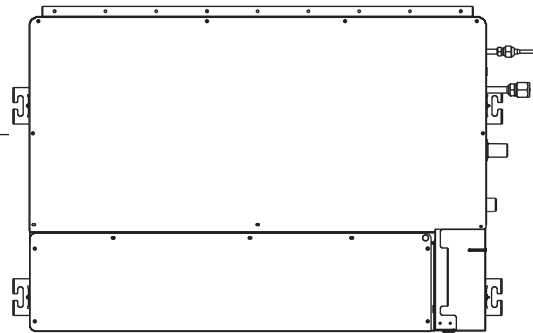
Top view



Side view



Front view

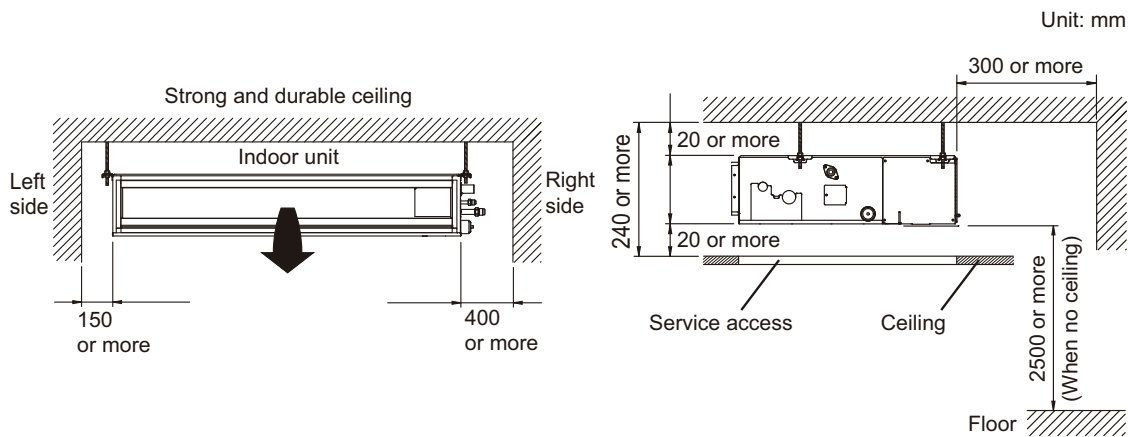


Bottom view

● Installation space requirement

Provide sufficient installation space for product safety.

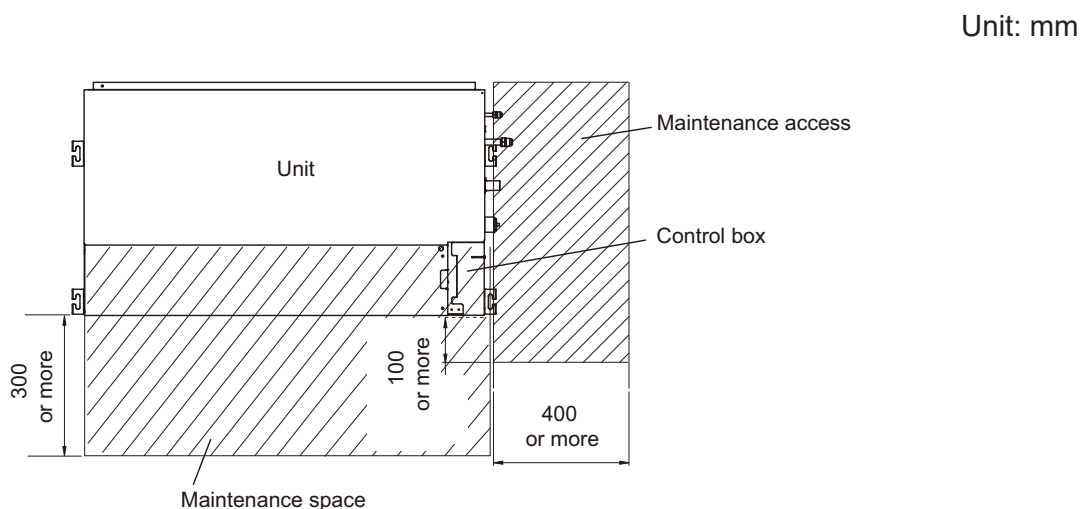
In ceiling-concealed installations:



● Maintenance space requirement

Provide sufficient maintenance space for efficient maintenance.

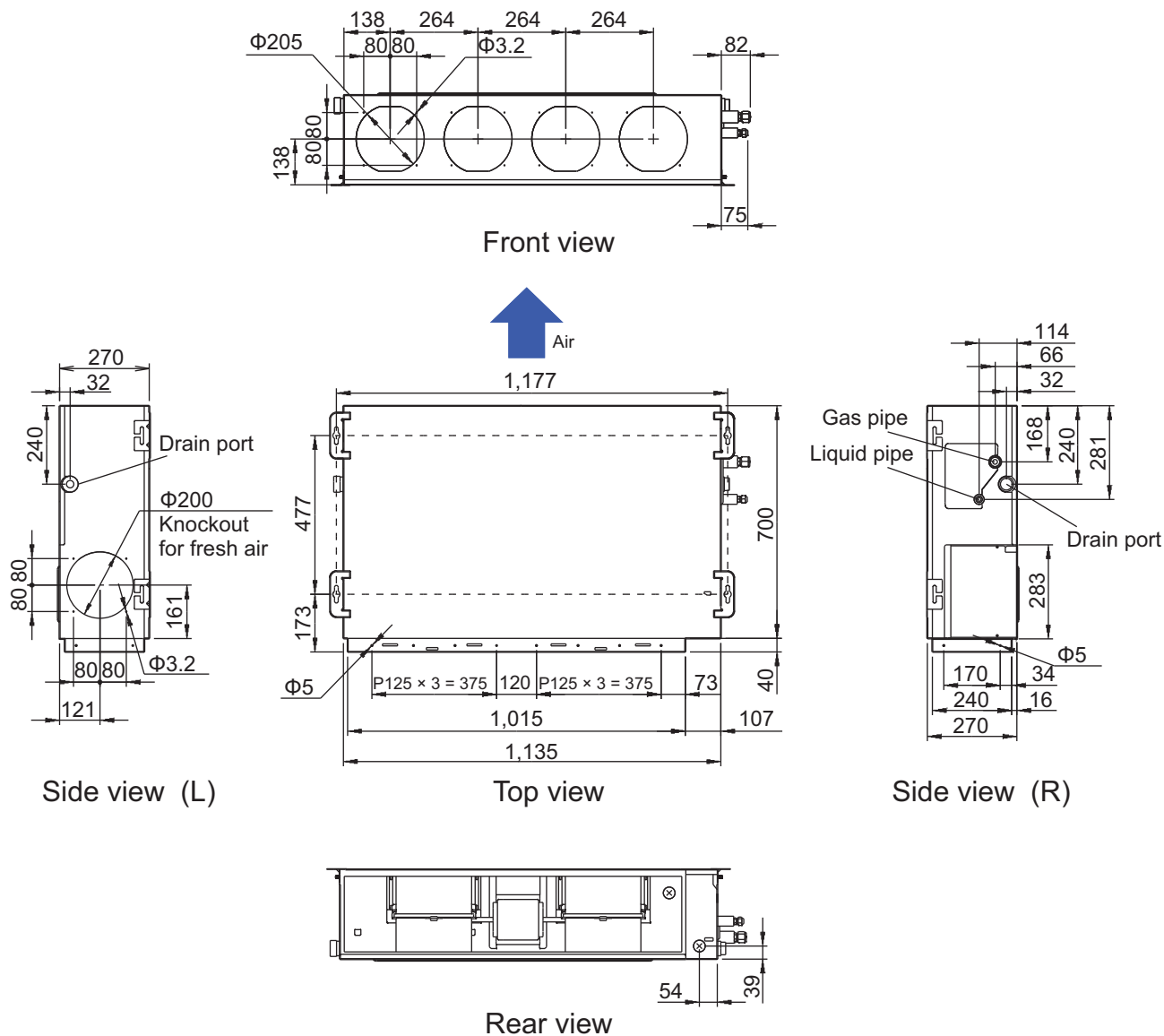
NOTE: Do not place any wiring or illumination in the maintenance space, as they will impede service.



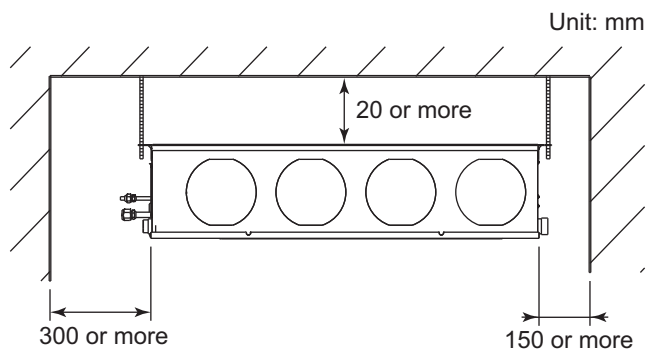
4-4. Medium static pressure duct type

Model: ARXG22KMLB

Unit: mm



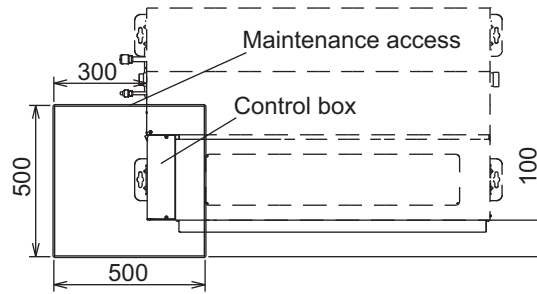
● Installation space requirement



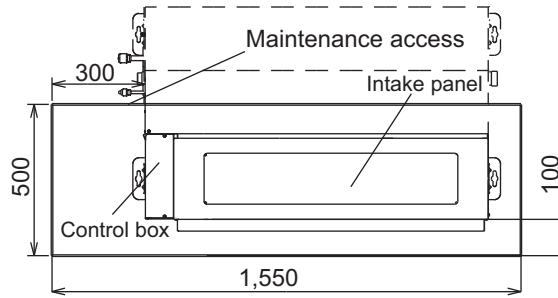
● Maintenance space requirement

Unit: mm

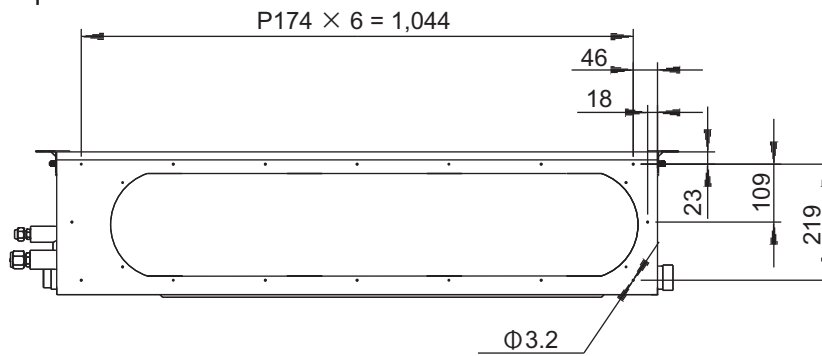
- Provide a maintenance access for maintenance purposes.



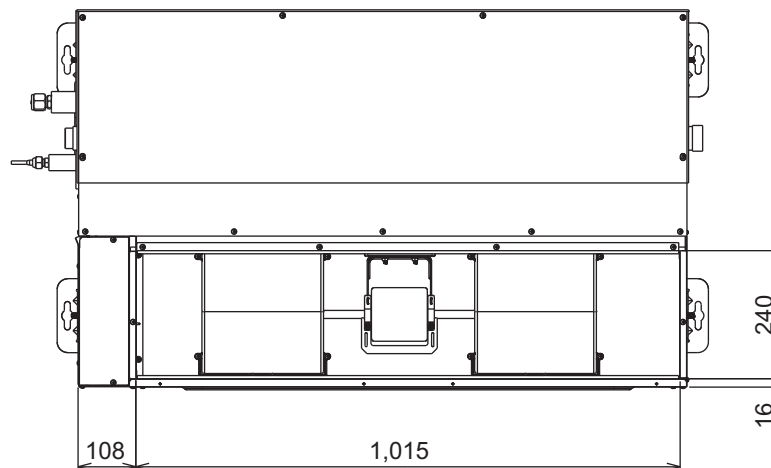
- The maintenance access necessary for fan units and filter maintenance.



- When using a square duct

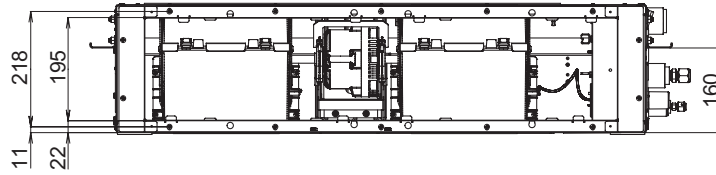


- Bottom air intake hole

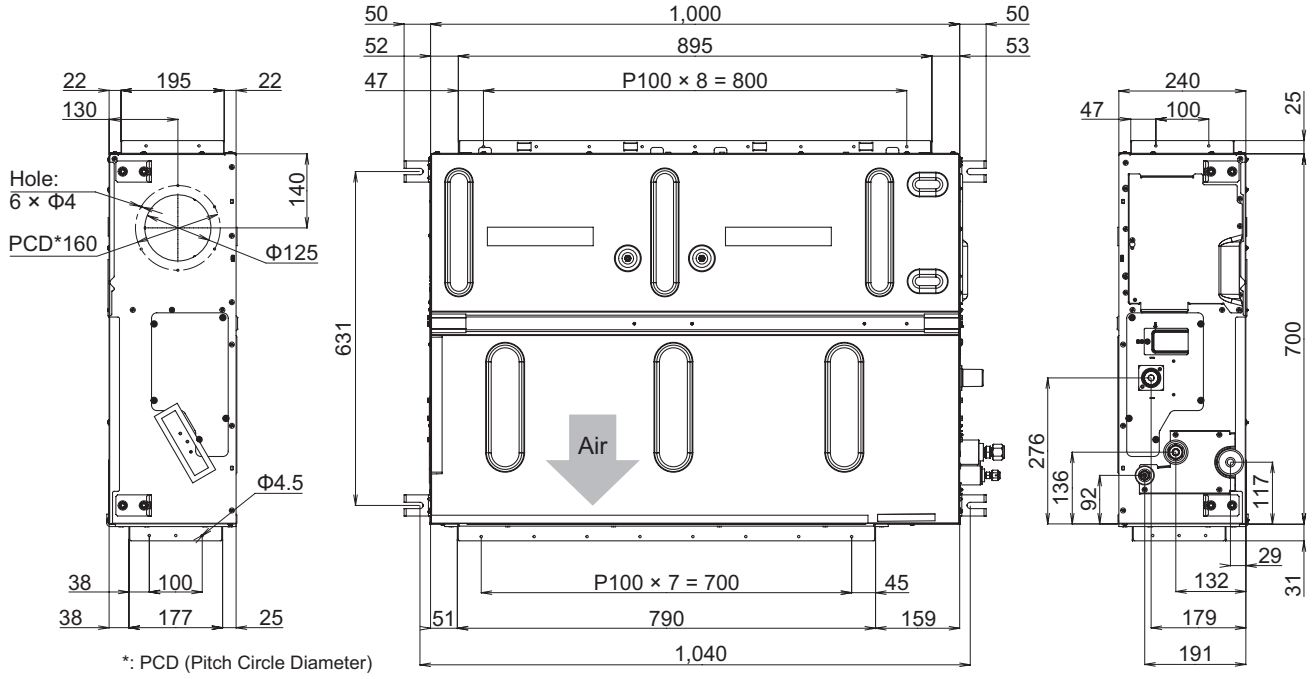


■ Model: ARXH22KMTAP

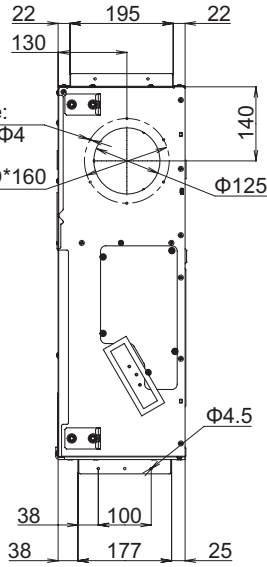
Unit: mm



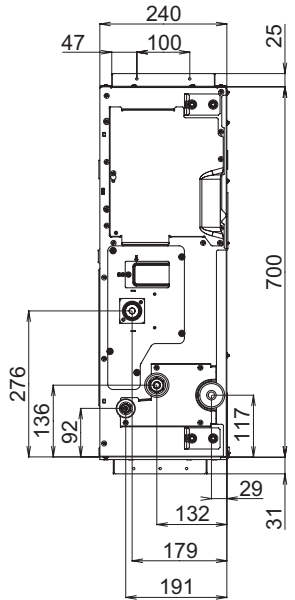
Rear view



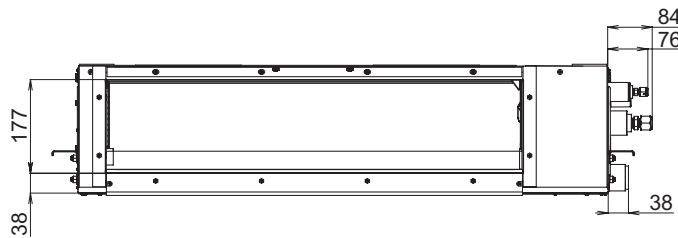
Top view



Side view (L)



Side view (R)

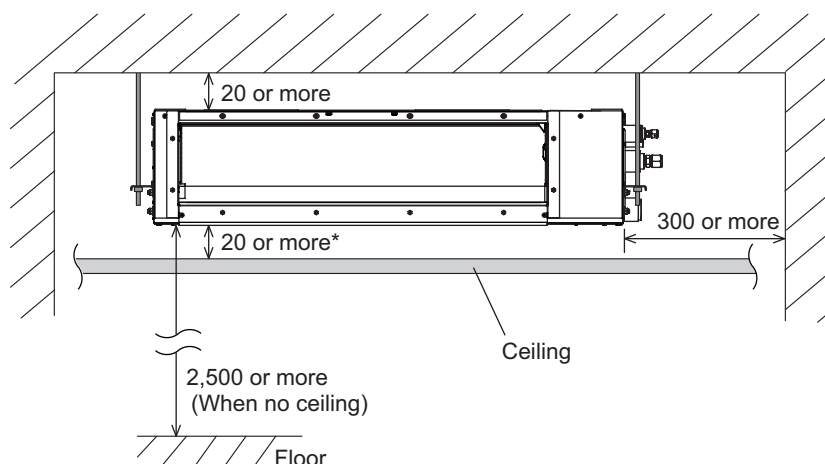


Front view

*: PCD (Pitch Circle Diameter)

● Installation space requirement

Unit: mm



*: According to the distance between the ceiling and the unit, the construction plan of the maintenance access differs.

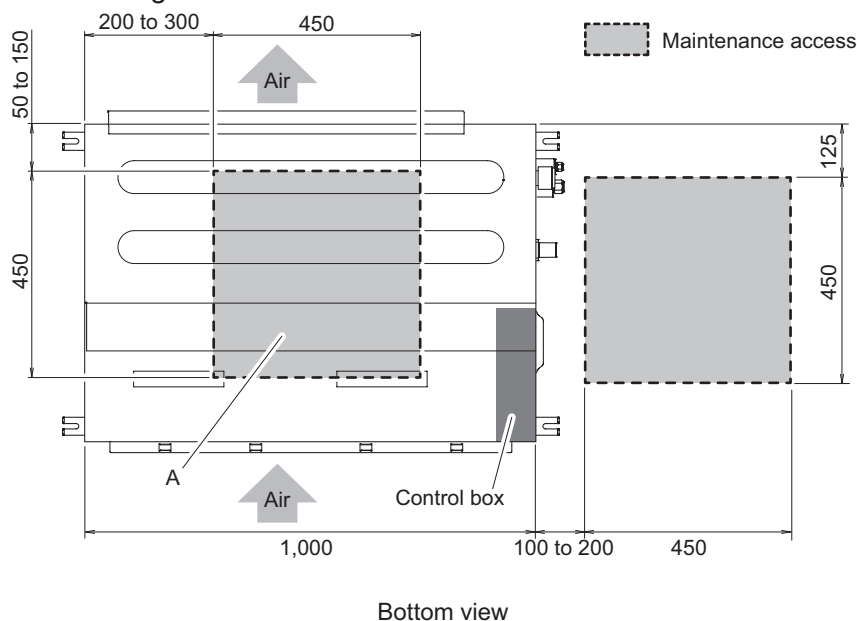
● Maintenance space requirement

Provide one or two maintenance accesses for the fan units and the filters or the inspections of the control box, drain pump, and the other parts.

Numbers and the sizes of the maintenance accesses differ according to the distance between the ceiling and the unit as follows.

Unit: mm

- Distance between the ceiling and the unit is 300 or more:

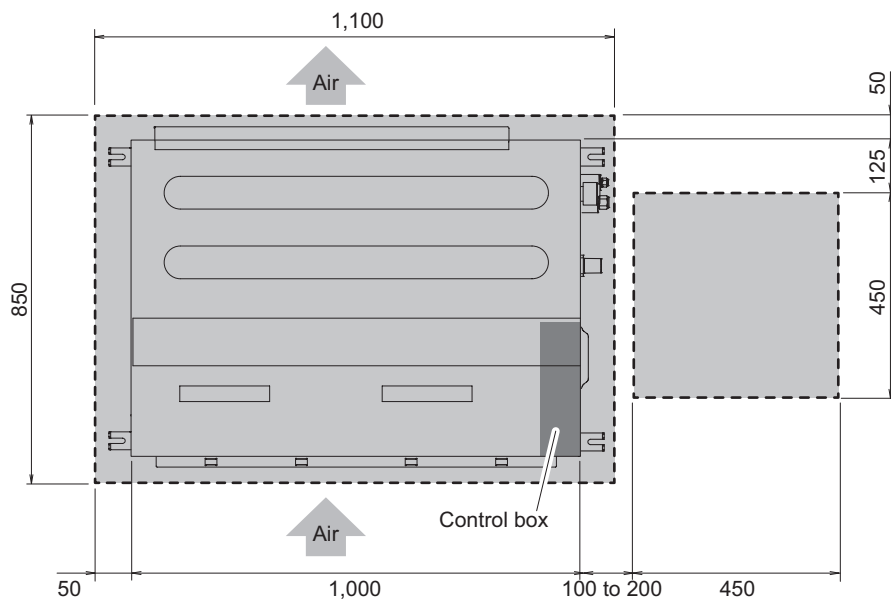


NOTE: If there is sufficient working space between the indoor unit and the ceiling plate, the maintenance access under the unit (A) is not necessary.

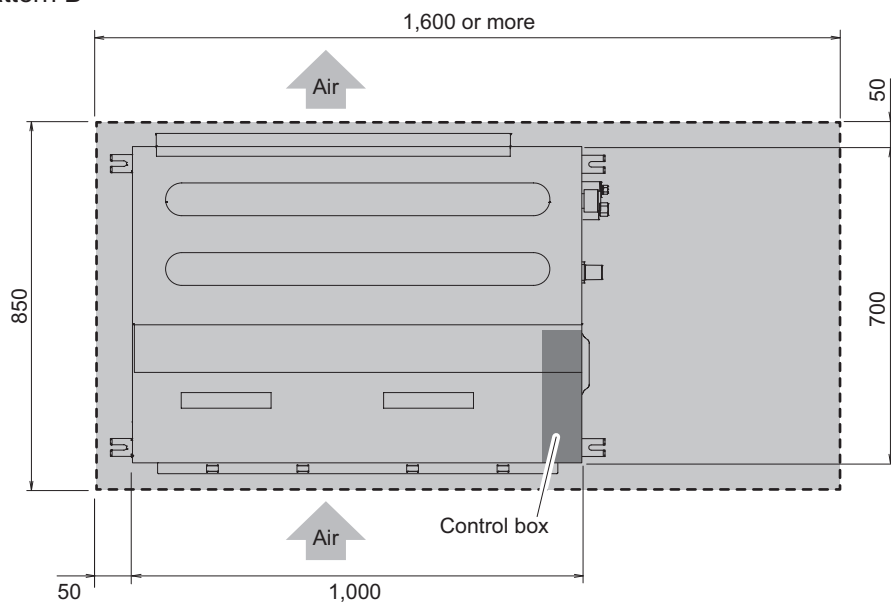
- Distance between the ceiling and the unit is from 20 to 300:
Choose one of these methods to set up the maintenance access.

Pattern A

 Maintenance access



Pattern B

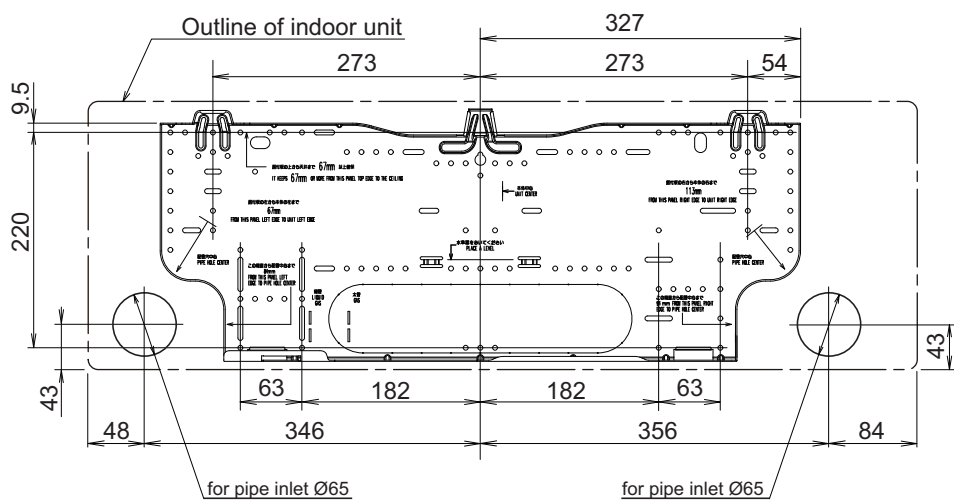
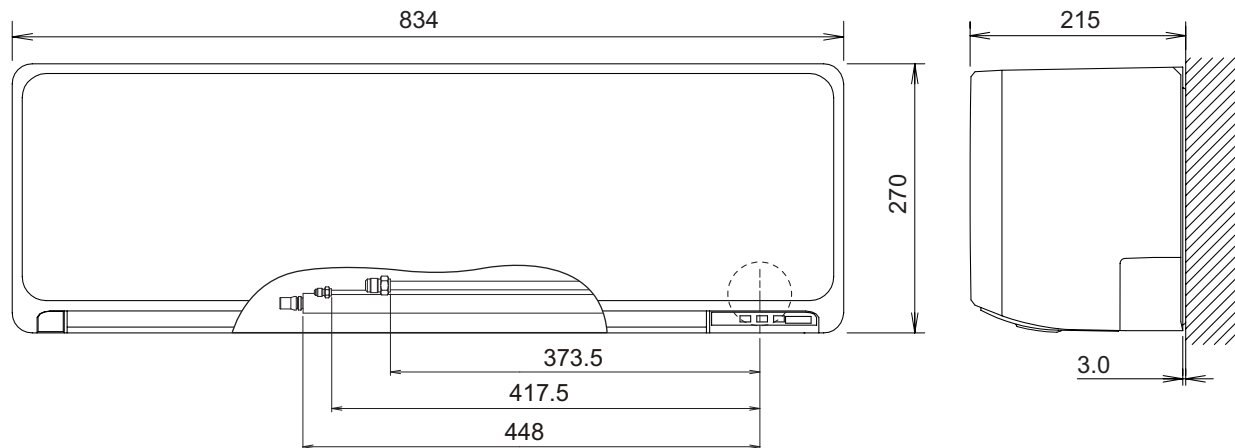


Bottom view

4-5. Wall mounted type

■ Models: ASYG07-14KGTB

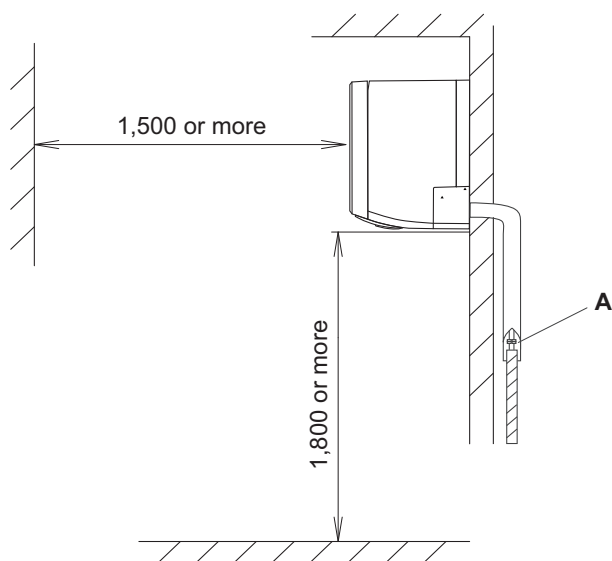
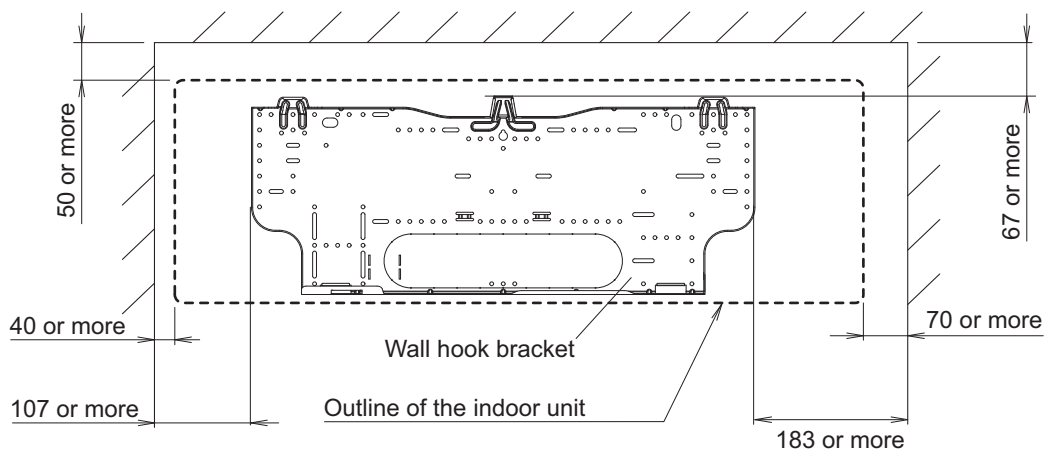
Unit: mm



● Installation space requirement

Provide sufficient installation space for product safety.

Unit: mm



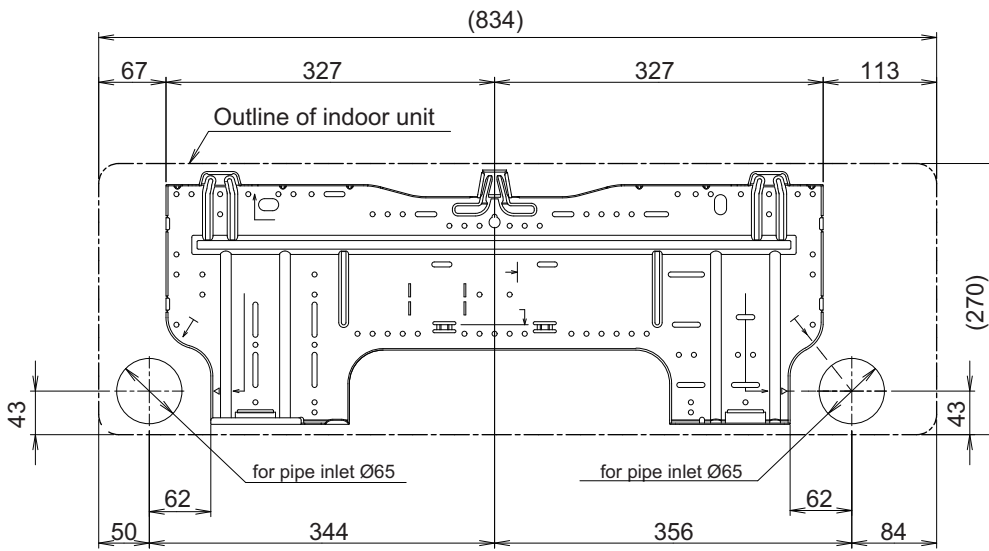
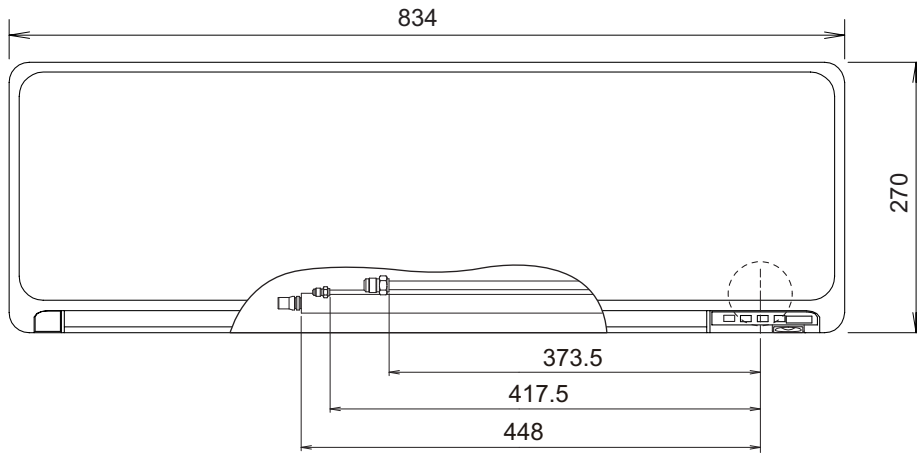
A: Install so that the flare connection part is outdoors.

■ Models: ASYG07-14KGTE and ASYG07-14KGTF

4-5 UNIT
MULTI-SPLIT TYPE

4-5 UNIT
MULTI-SPLIT TYPE

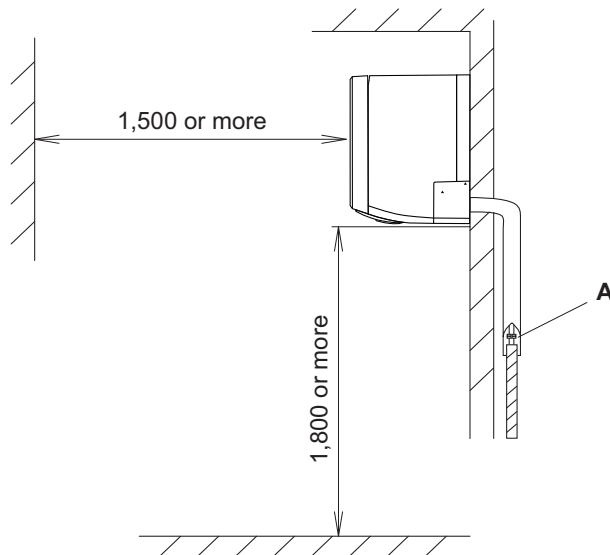
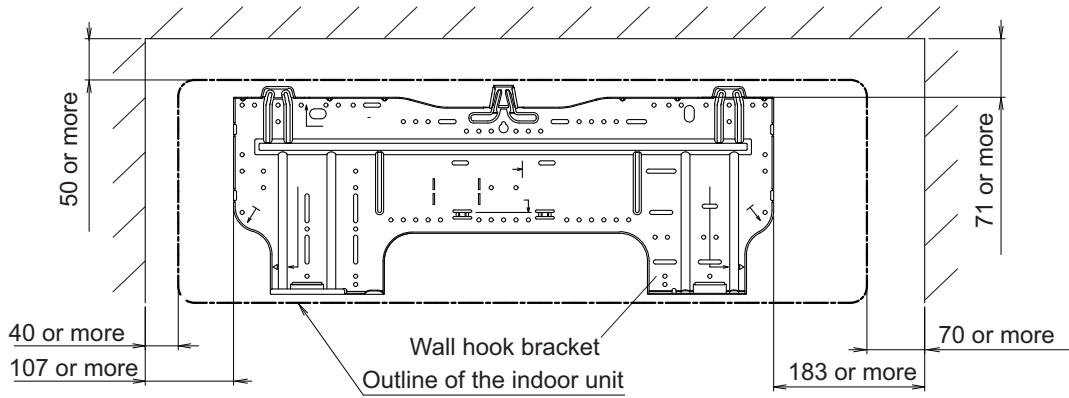
Unit: mm



● Installation space requirement

Provide sufficient installation space for product safety.

Unit: mm

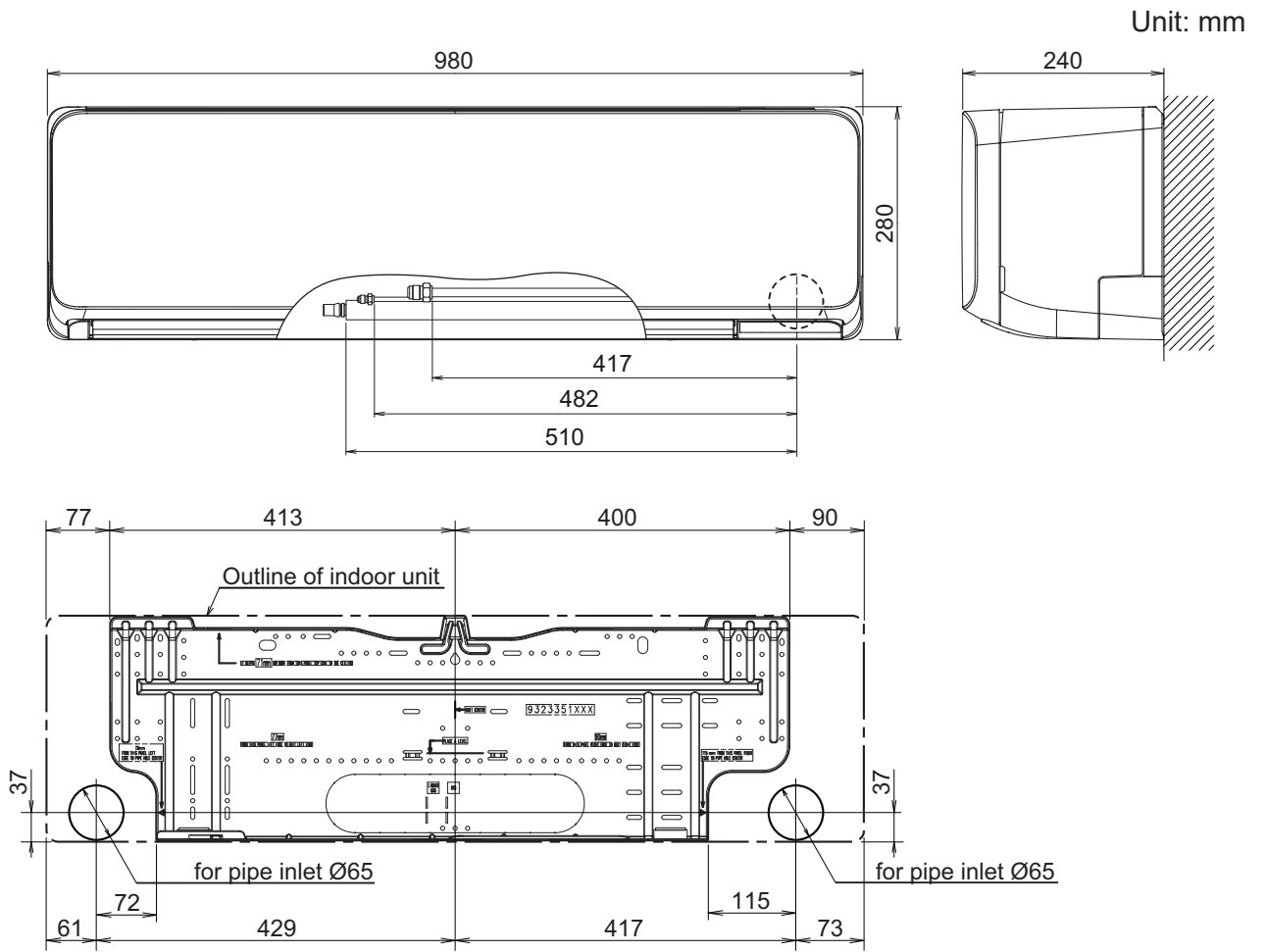


A: Install so that the flare connection part is outdoors.

■ Models: ASYG18-24KMTB

4-5 UNIT
MULTI-SPLIT TYPE

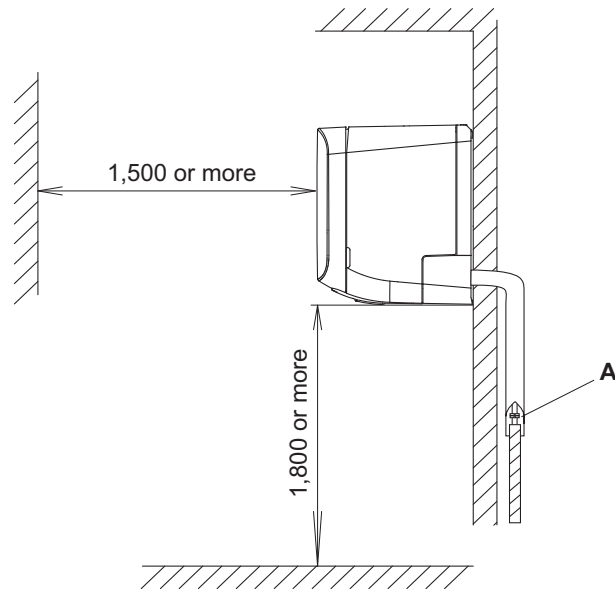
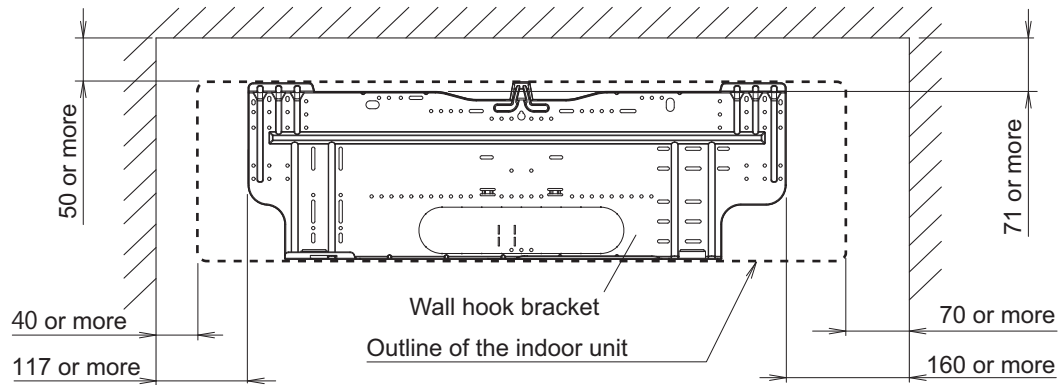
4-5 UNIT
MULTI-SPLIT TYPE



● Installation space requirement

Provide sufficient installation space for product safety.

Unit: mm

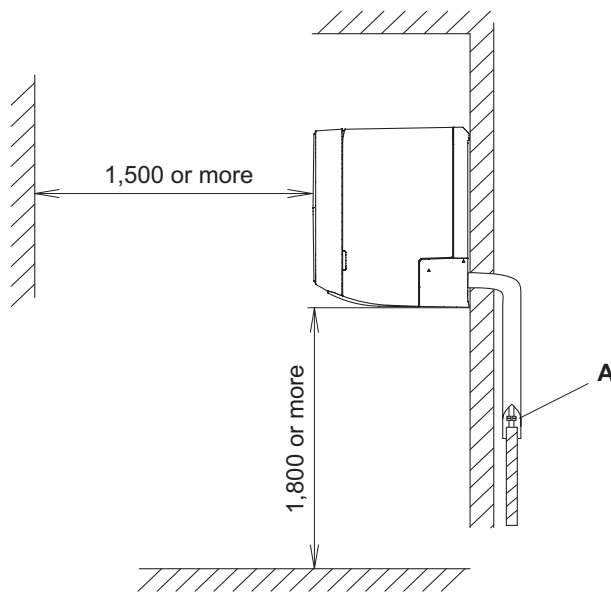
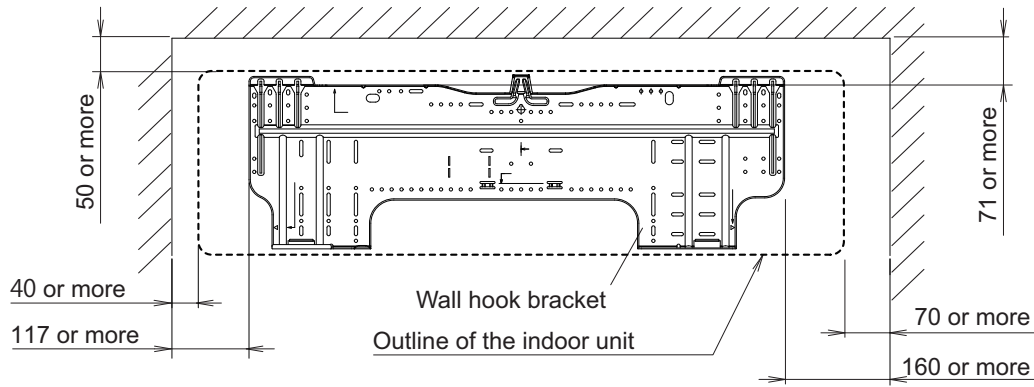


A: Install so that the flare connection part is outdoors.

● Installation space requirement

Provide sufficient installation space for product safety.

Unit: mm



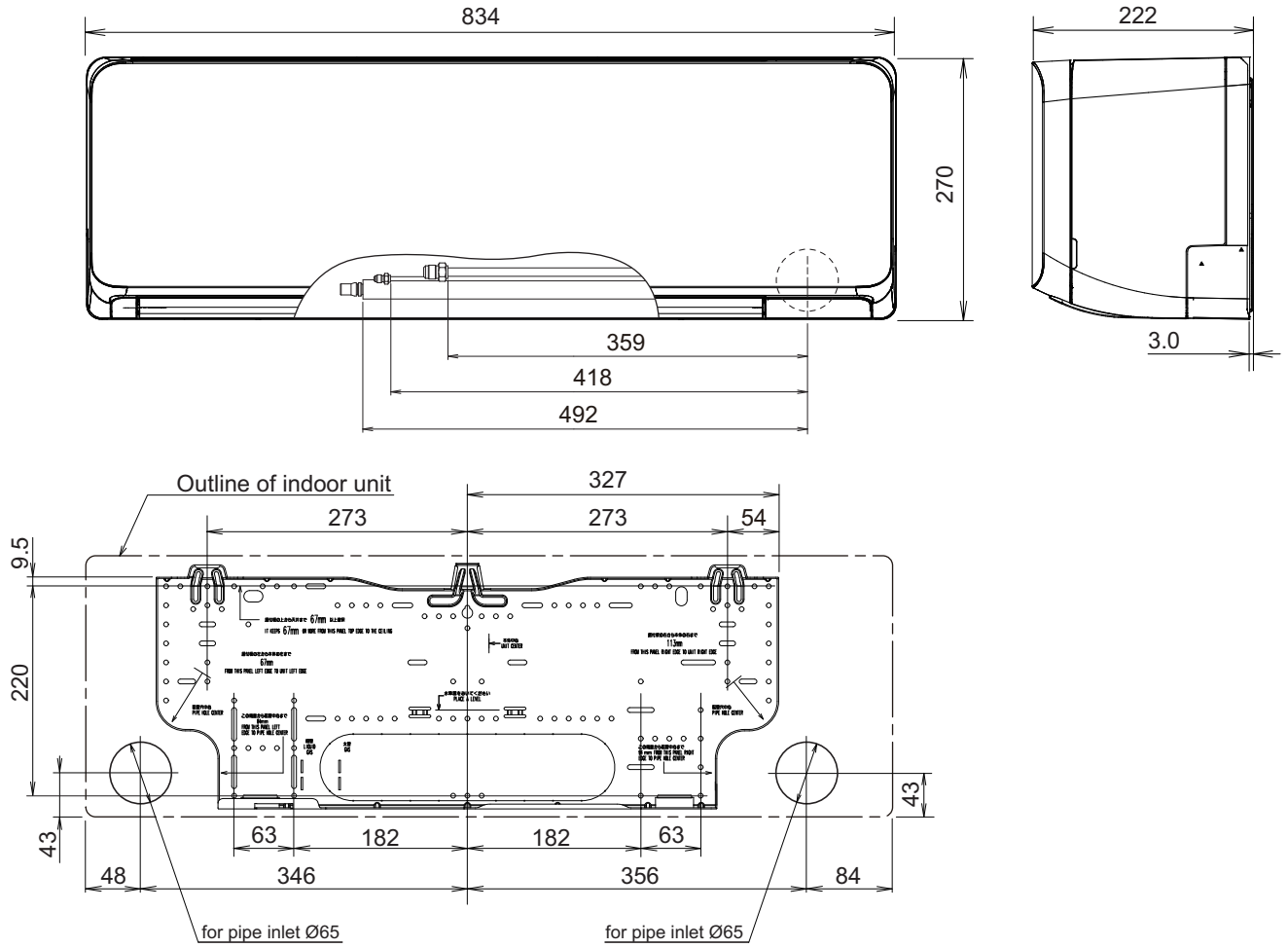
A: Install so that the flare connection part is outdoors.

■ Models: ASYG07-14KMTB and ASYG07-14KMCC

Unit: mm

4-5 UNIT
MULTI-SPLIT TYPE

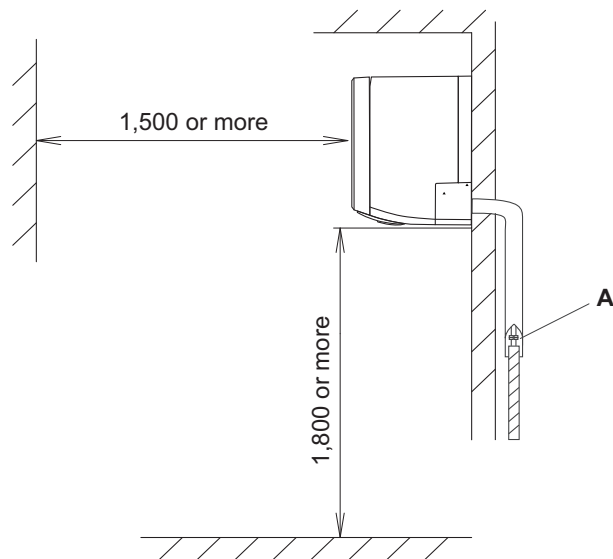
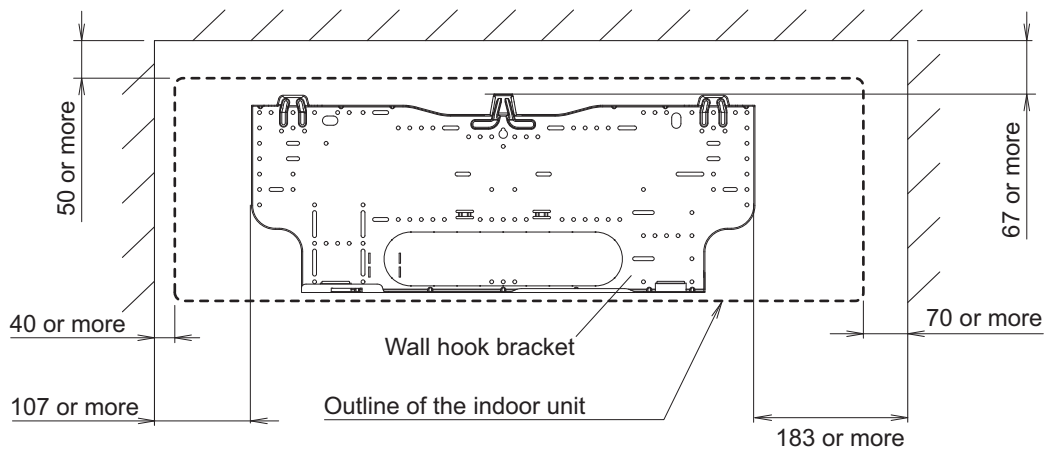
4-5 UNIT
MULTI-SPLIT TYPE



● Installation space requirement

Provide sufficient installation space for product safety.

Unit: mm



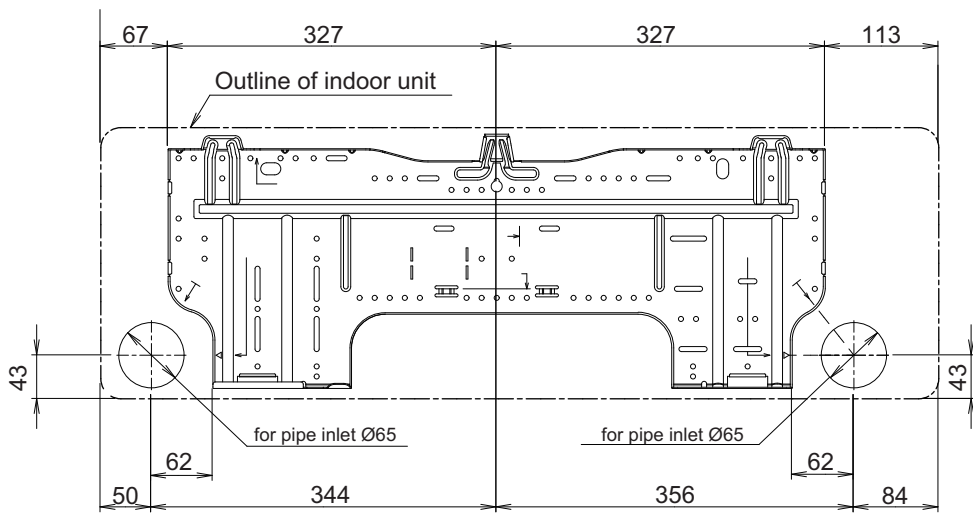
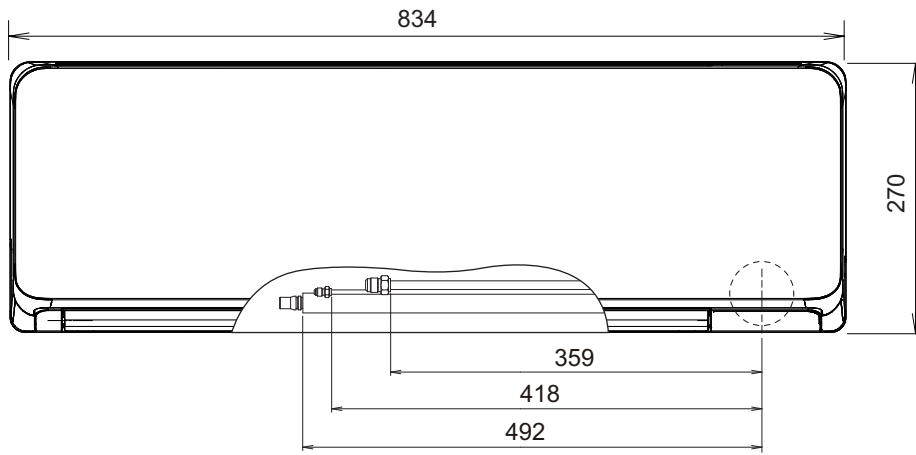
A: Install so that the flare connection part is outdoors.

■ Models: ASYG07-14KMCE and ASYG07-14KMCF

4-5 UNIT
MULTI-SPLIT TYPE

4-5 UNIT
MULTI-SPLIT TYPE

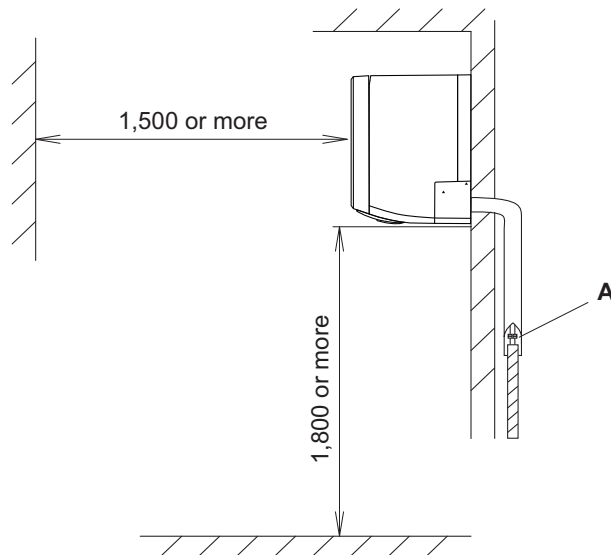
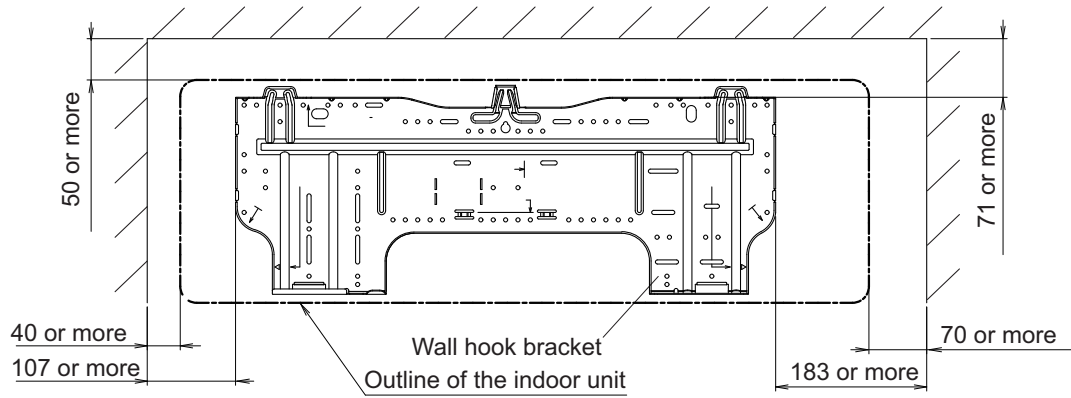
Unit: mm



● Installation space requirement

Provide sufficient installation space for product safety.

Unit: mm

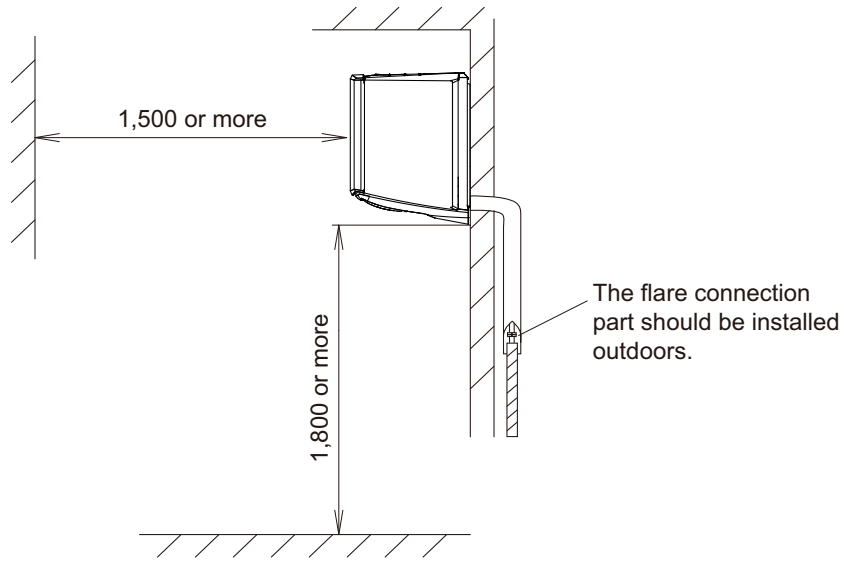
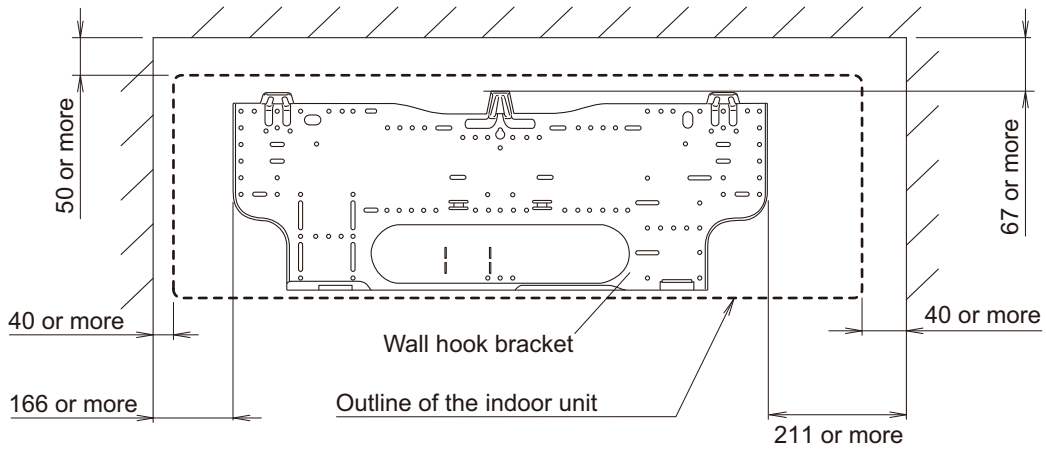


A: Install so that the flare connection part is outdoors.

● Installation space requirement

Provide sufficient installation space for product safety.

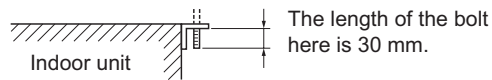
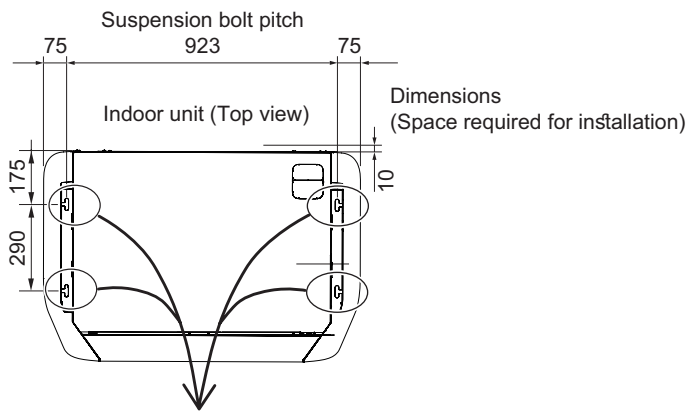
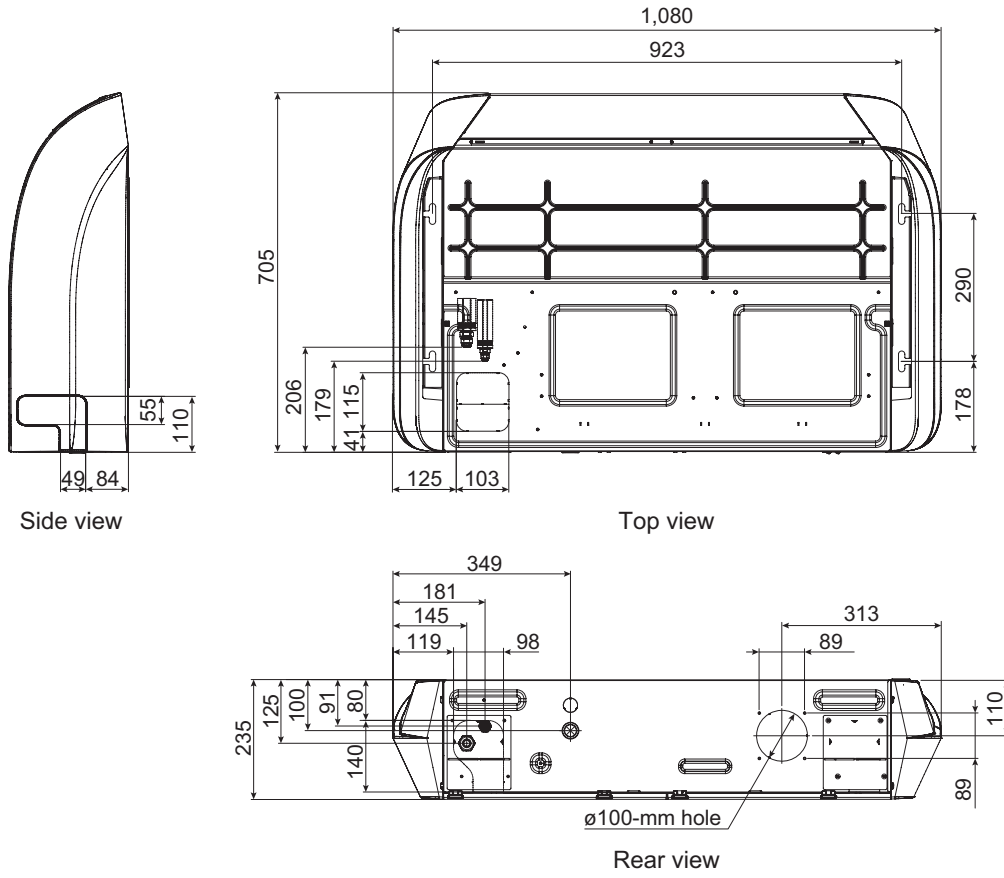
Unit: mm



4-6. Ceiling type

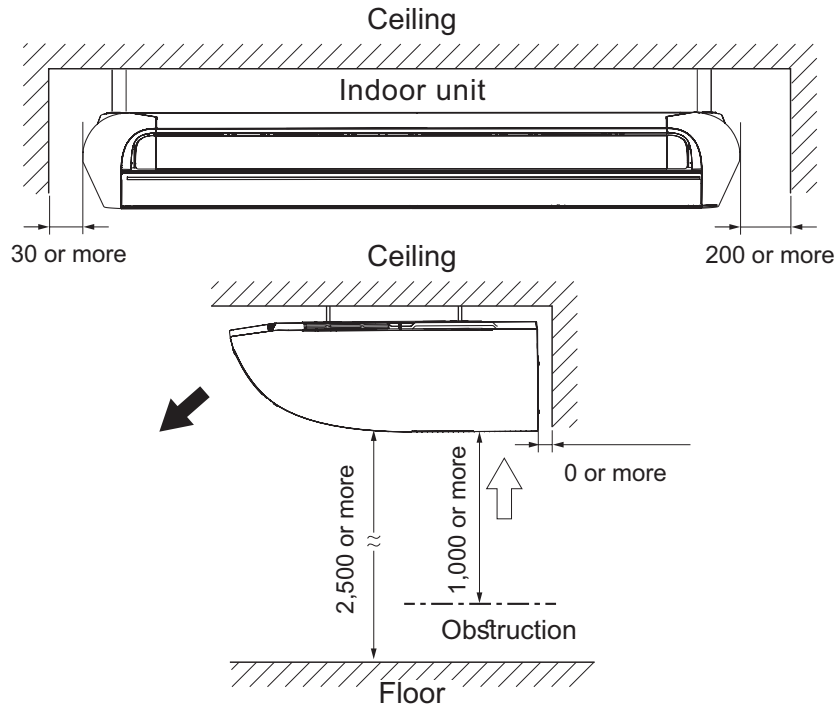
■ Models: ABYG18-22KRTA

Unit: mm



■ Installation space requirement

Unit: mm



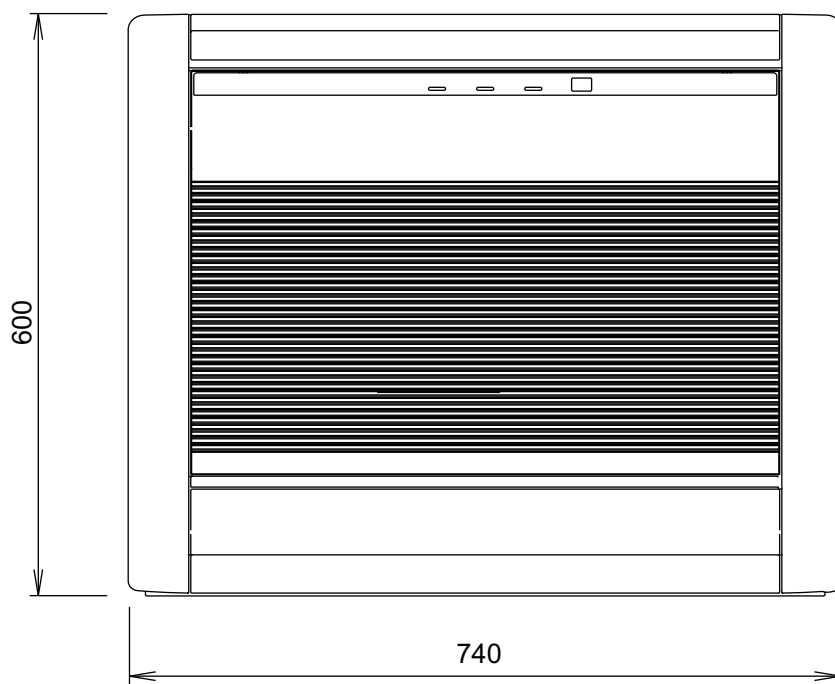
Required ceiling height varies according to the ceiling mode setting of function setting No. 20.

| Ceiling height (m) | | |
|--------------------|----------|--------------|
| Ceiling mode | Standard | High ceiling |
| 18, 22 models | 2.7 | 3.5 |

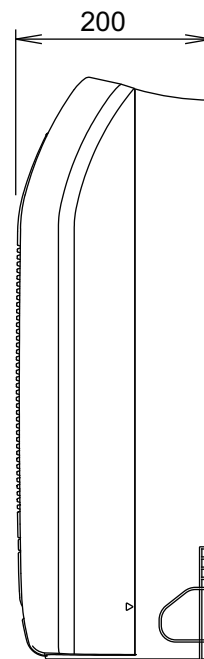
4-7. Floor type

■ Models: AGYG09-14KVCA

Unit: mm



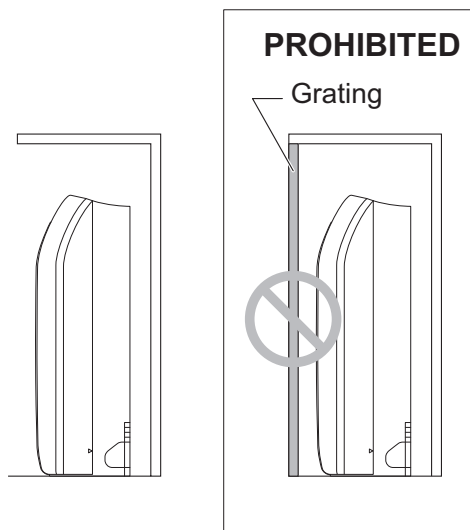
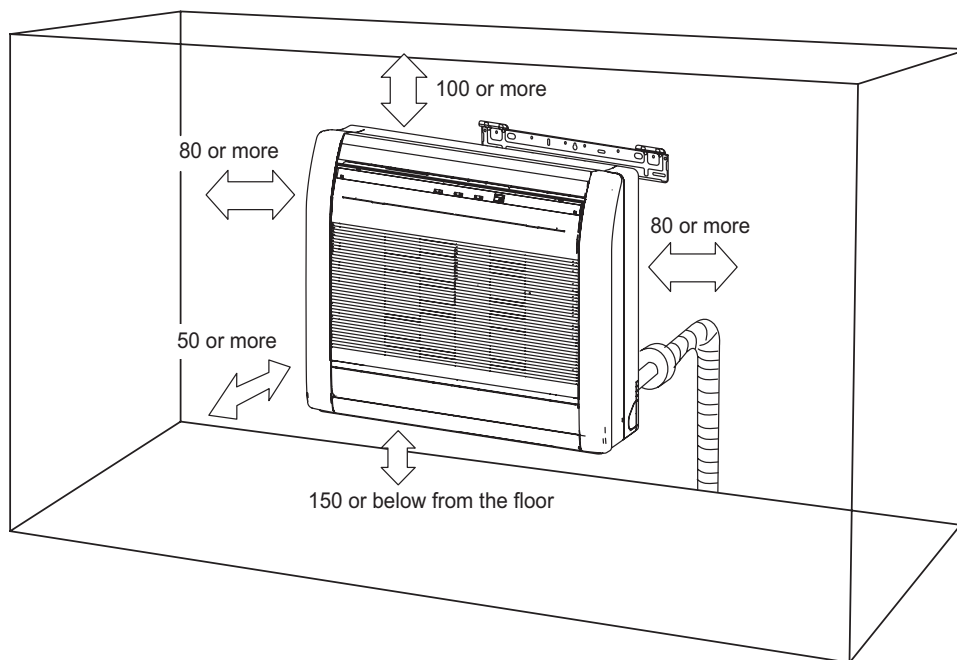
Front view



Side view

● Installation space

Unit: mm



⚠ WARNING

- The appliance shall be installed, operated and stored in a room with a floor area larger than X m².

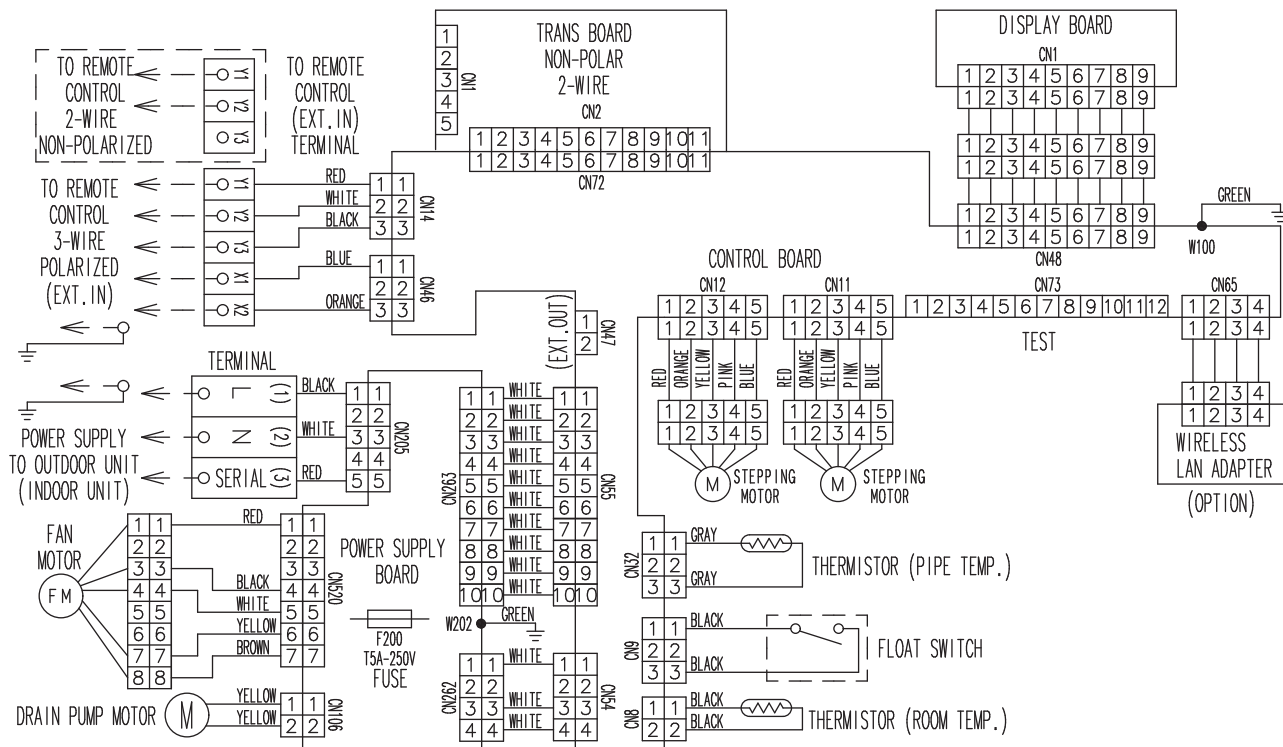
| Amount of refrigerant charge M (kg) | Minimum room area X (m ²) |
|--|--|
| M ≤ 1.22 | - |
| 1.22 < M ≤ 1.23 | 12.99 |
| 1.23 < M ≤ 1.50 | 19.31 |
| 1.50 < M ≤ 1.75 | 26.28 |
| 1.75 < M ≤ 2.0 | 34.33 |
| 2.0 < M ≤ 2.5 | 53.63 |
| 2.5 < M ≤ 3.0 | 77.23 |
| 3.0 < M ≤ 3.5 | 105.12 |
| 3.5 < M ≤ 4.0 | 137.29 |

(IEC 60335-2-40)

5. Wiring diagrams

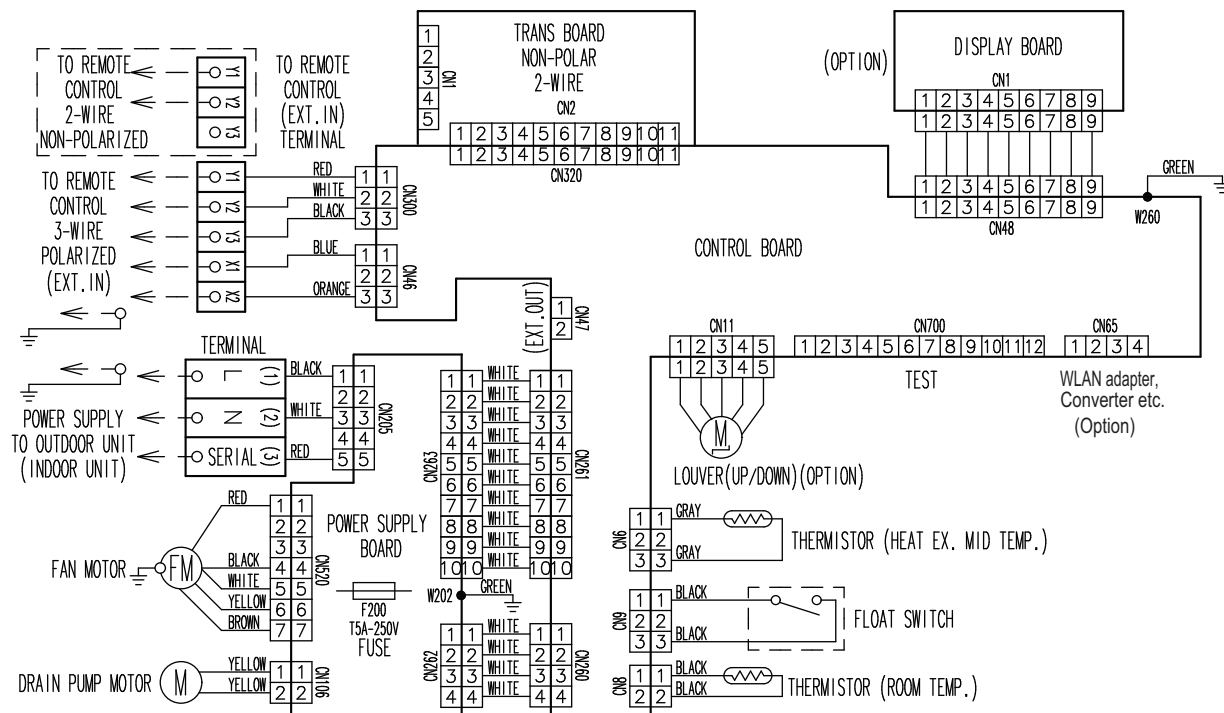
5-1. Compact cassette type

Models: AUXG07-22KVLA



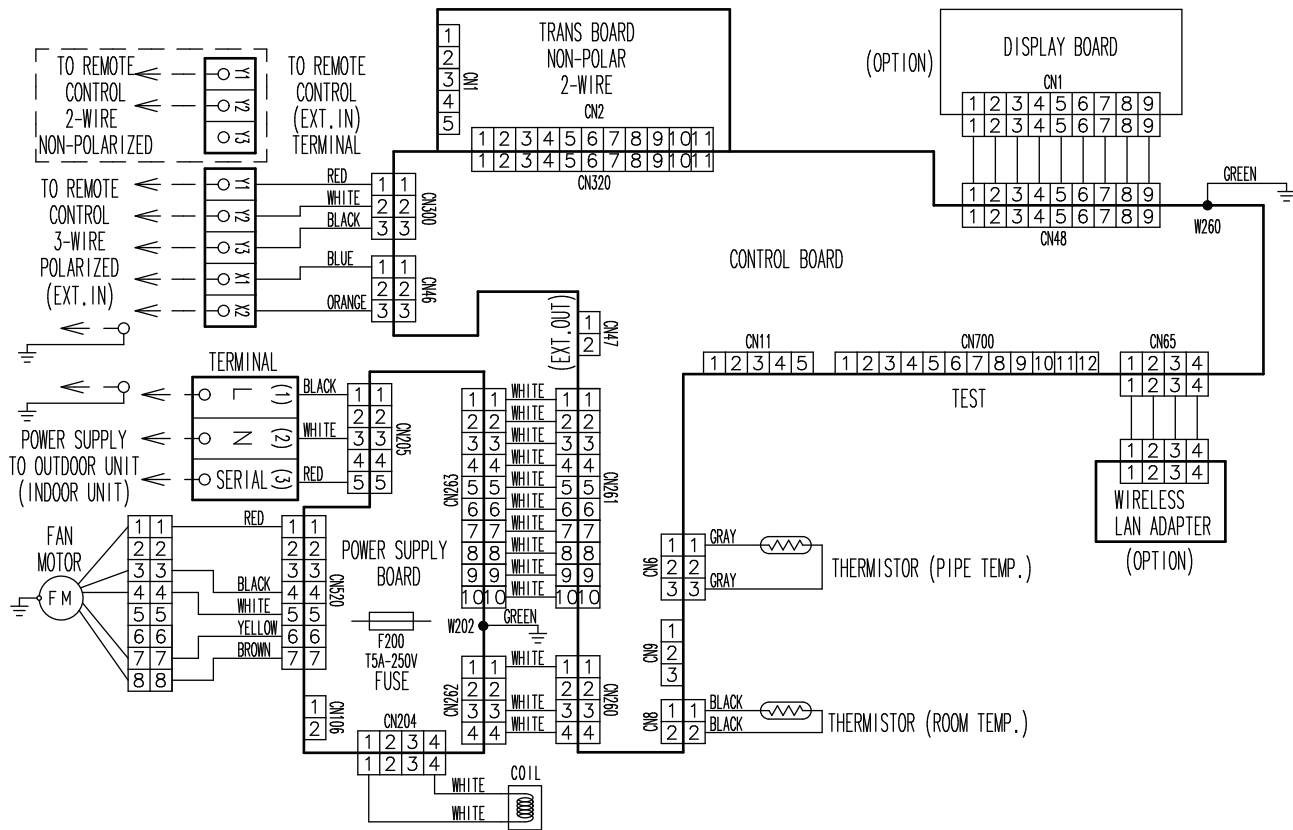
5-2. Mini duct type and Slim duct type

Models: ARXG07-18KSLAP and ARXG07-18KLLAP



5-3. Medium static pressure duct type

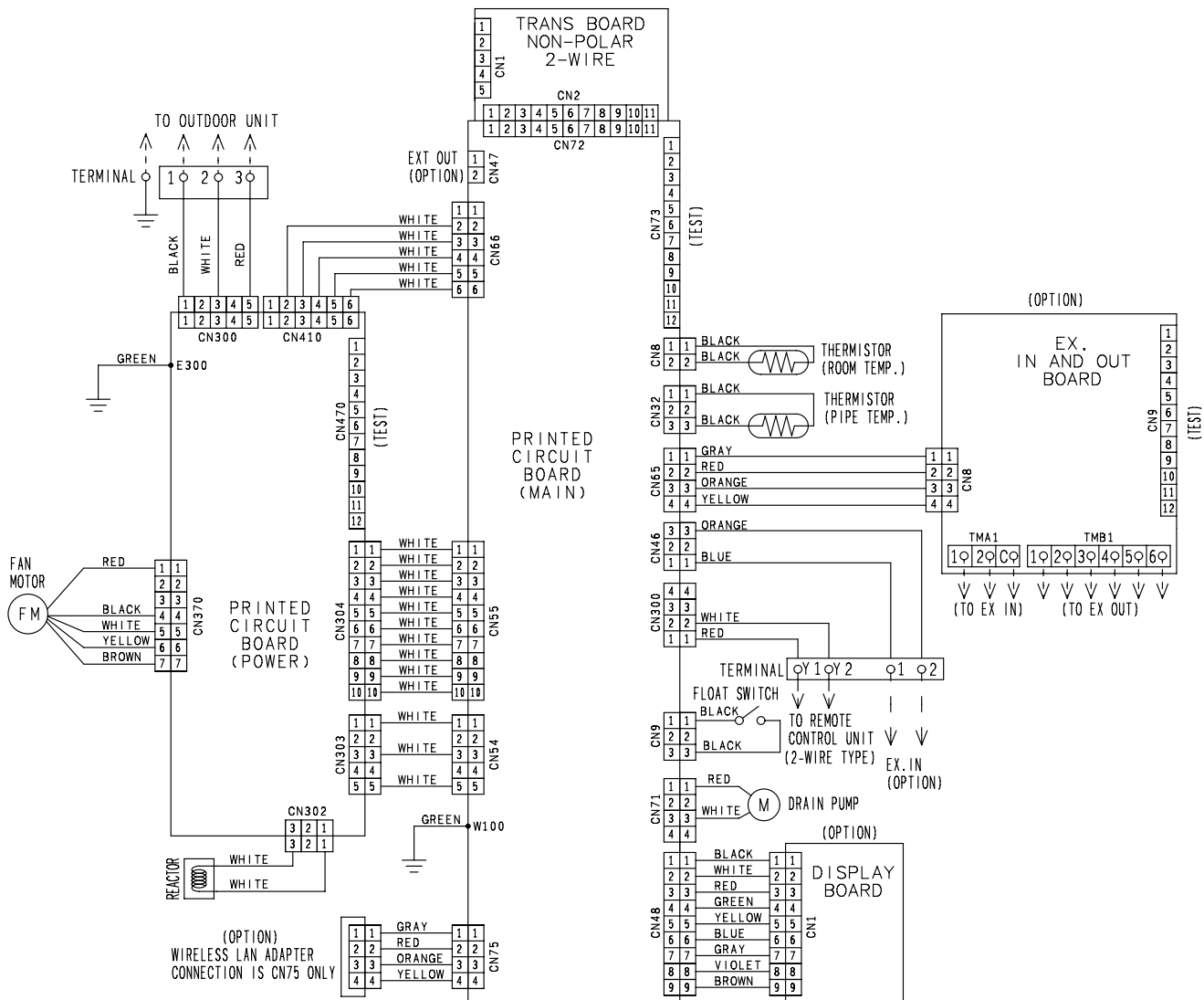
Model: ARXG22KMLB



Model: ARXH22KMTAP

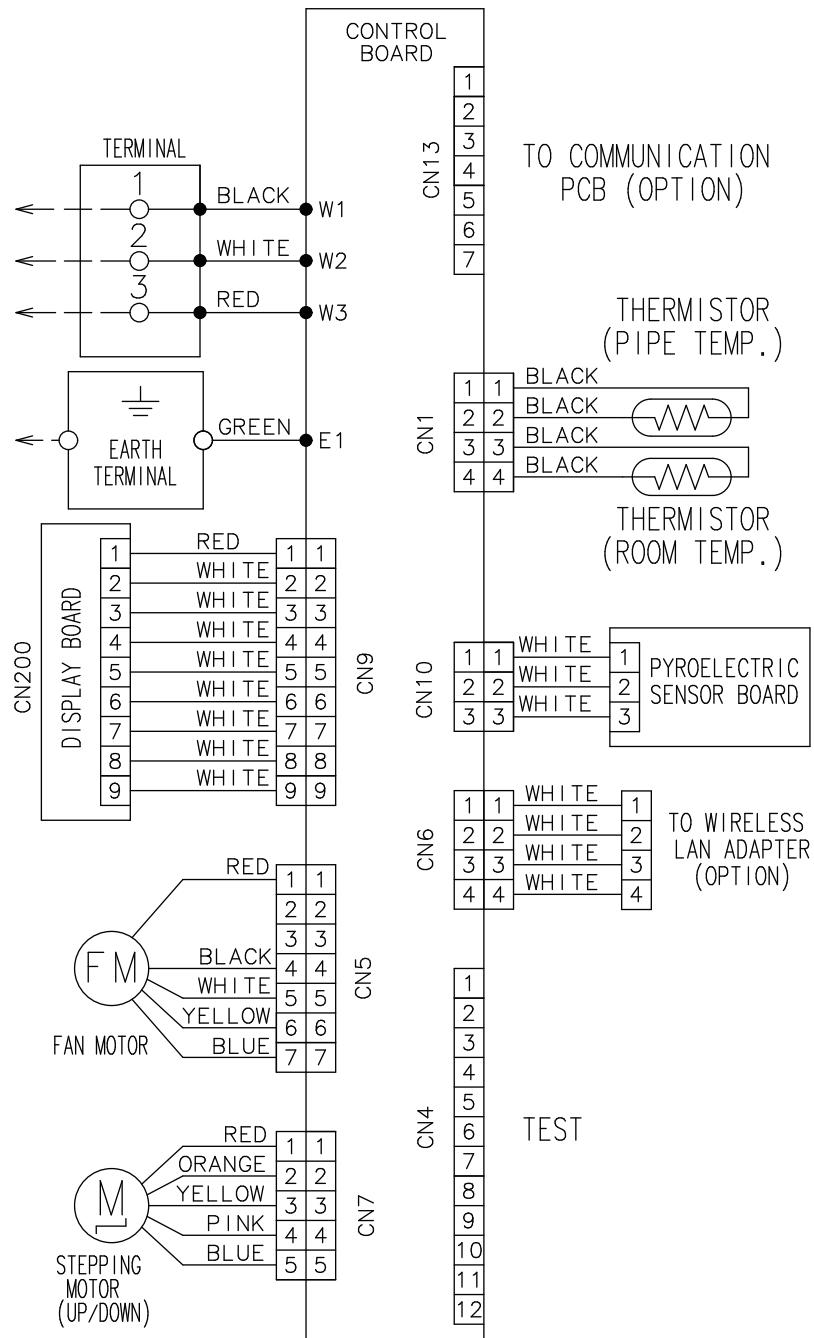
4-5 UNIT
MULTI-SPLIT TYPE

4-5 UNIT
MULTI-SPLIT TYPE



5-4. Wall mounted type

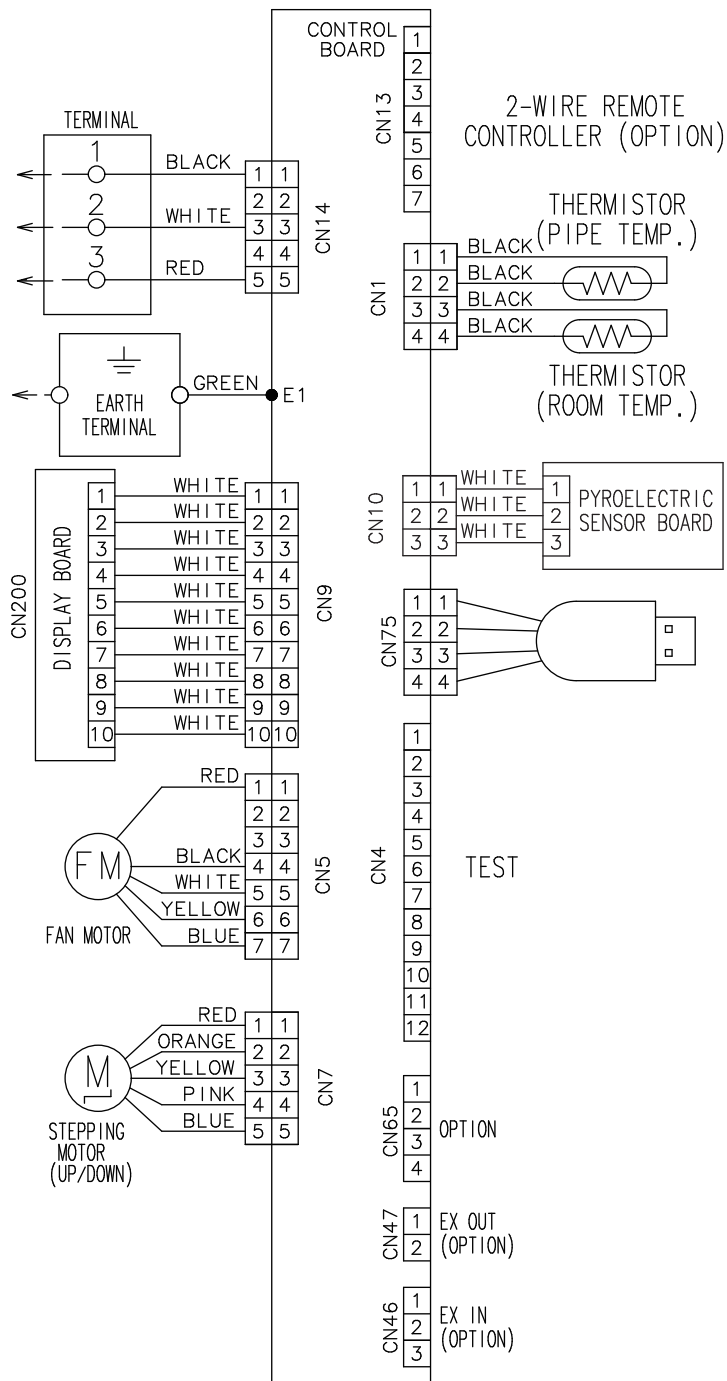
Models: ASYG07-14KGTB



Models: ASYG07-14KGT

4-5 UNIT
MULTI-SPLIT TYPE

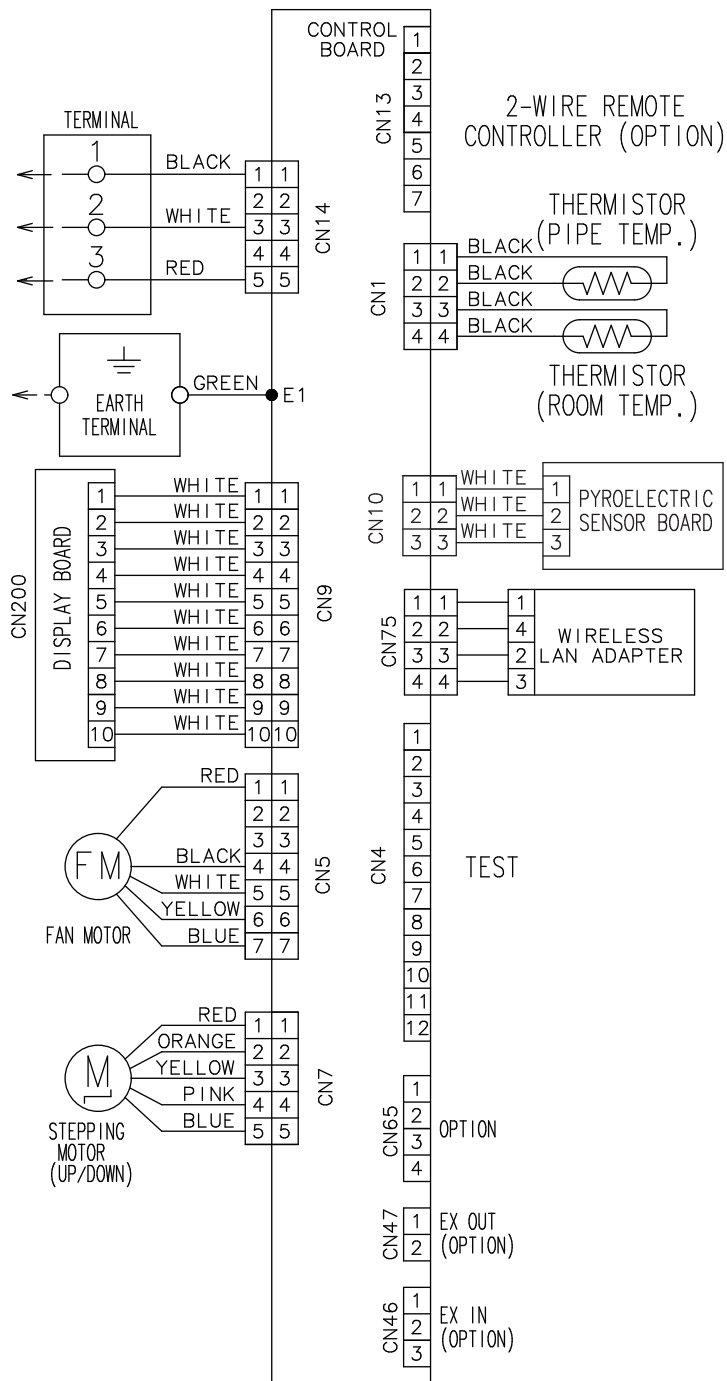
4-5 UNIT
MULTI-SPLIT TYPE



■ Models: ASYG07-14KGTf

4-5 UNIT
MULTI-SPLIT TYPE

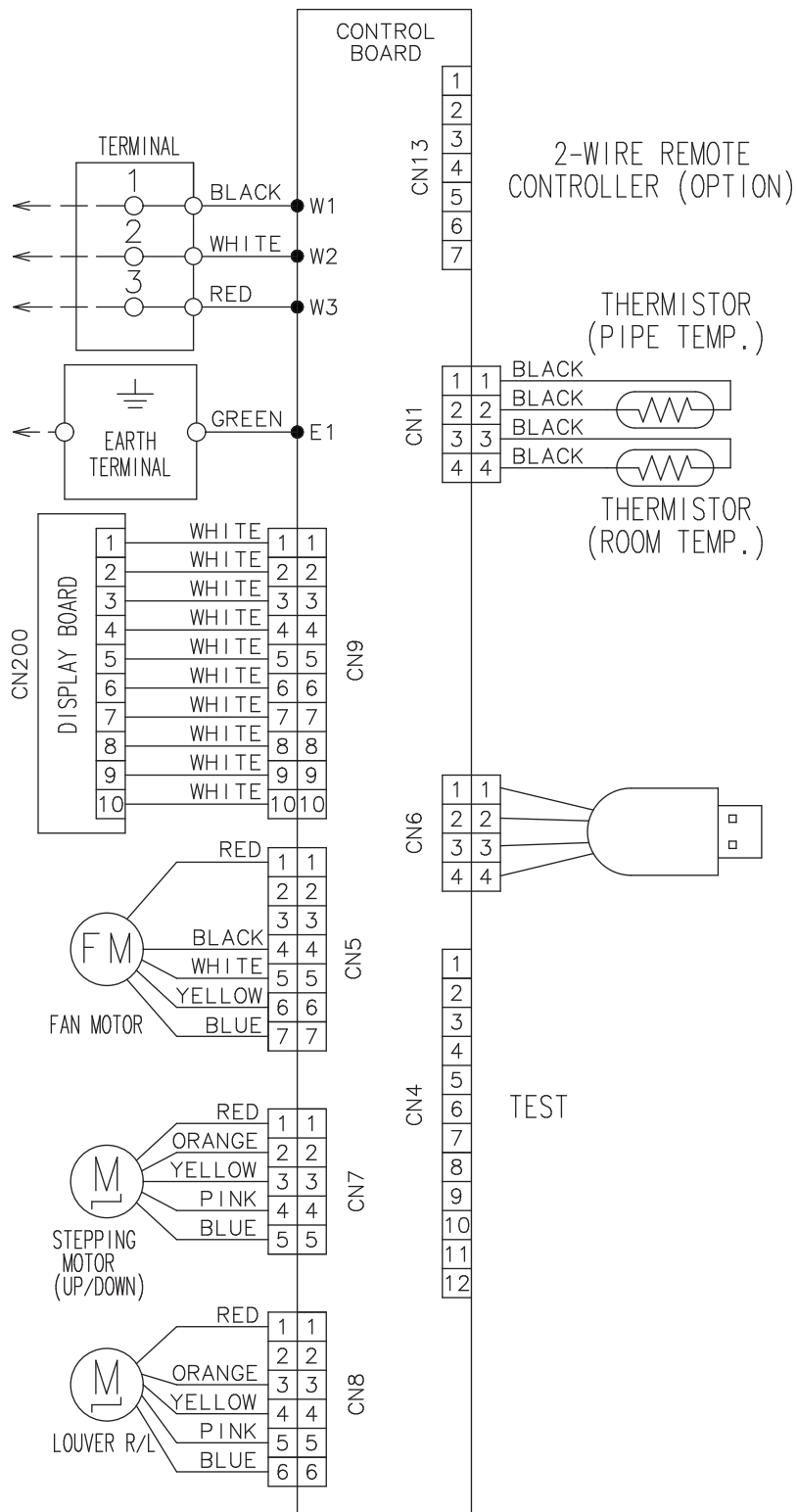
4-5 UNIT
MULTI-SPLIT TYPE



■ Models: ASYG18-24KMTB

4-5 UNIT
MULTI-SPLIT TYPE

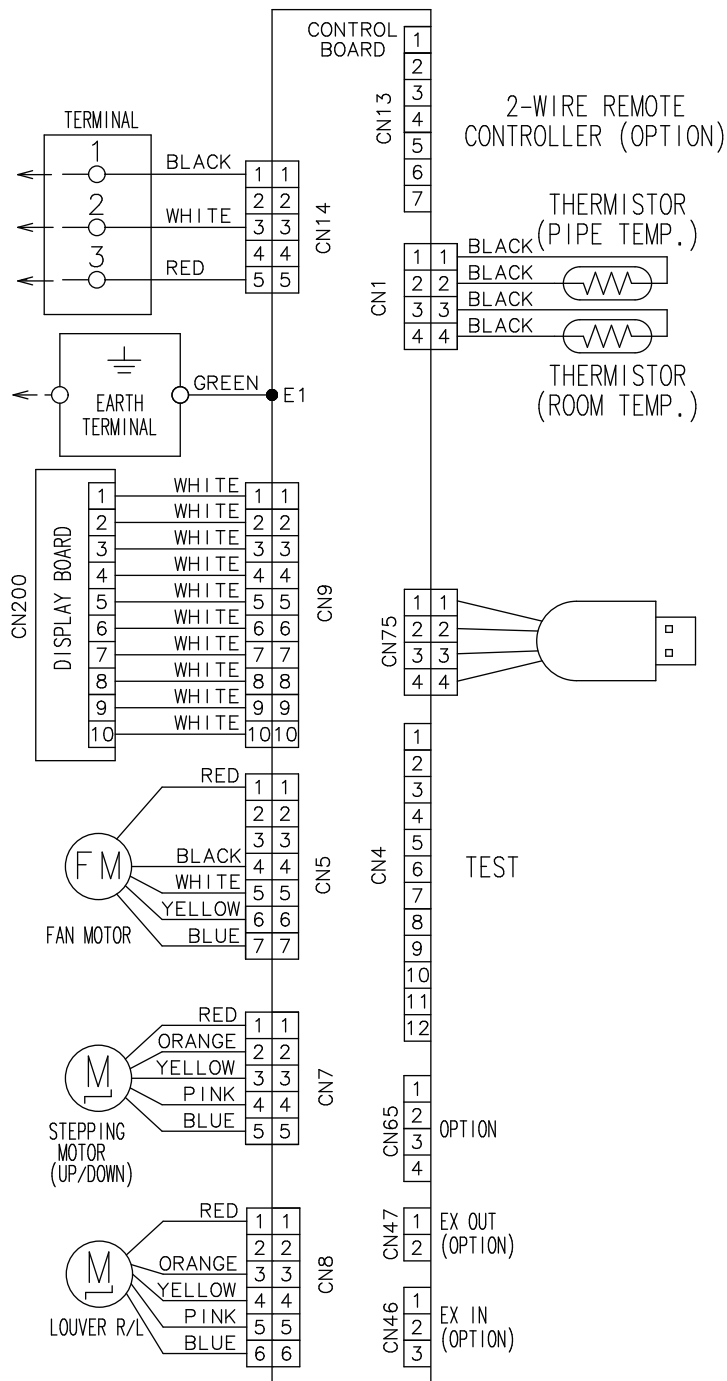
4-5 UNIT
MULTI-SPLIT TYPE



■ Models: ASYG18-24KMTE

4-5 UNIT
MULTI-SPLIT TYPE

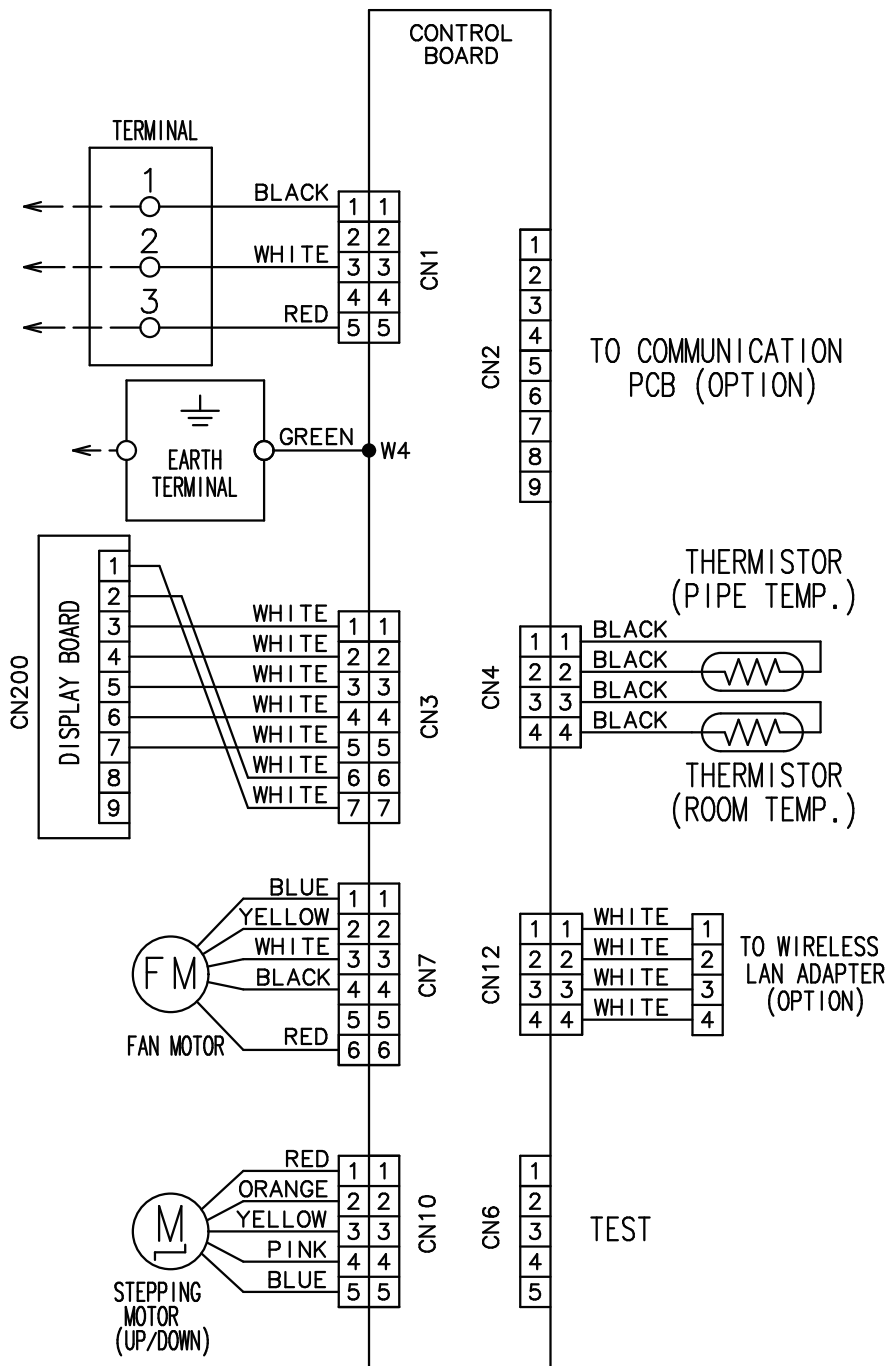
4-5 UNIT
MULTI-SPLIT TYPE



Models: ASYG07-14KMTB

4-5 UNIT
MULTI-SPLIT TYPE

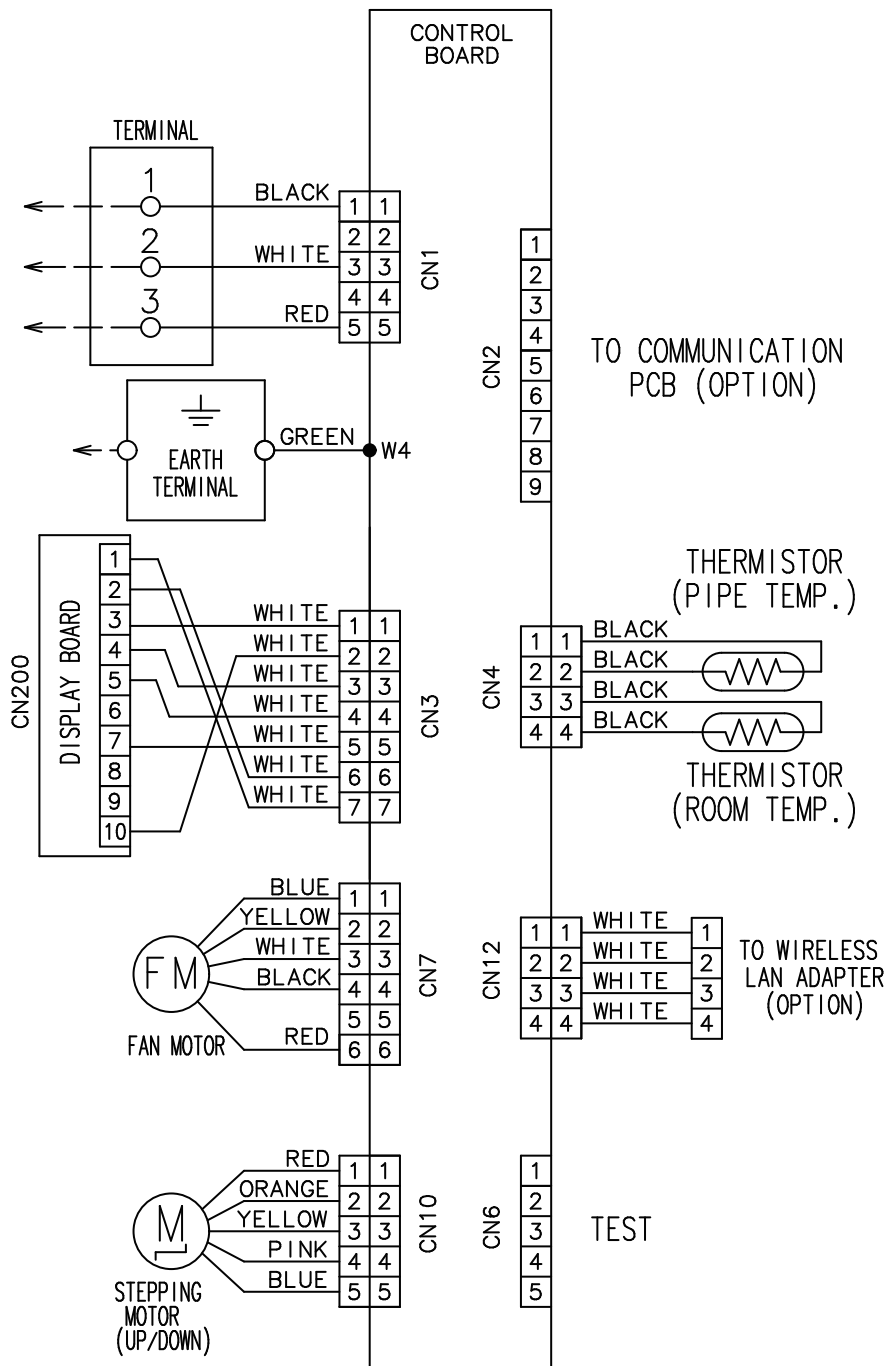
4-5 UNIT
MULTI-SPLIT TYPE



■ Models: ASYG07-14KMCC

4-5 UNIT
MULTI-SPLIT TYPE

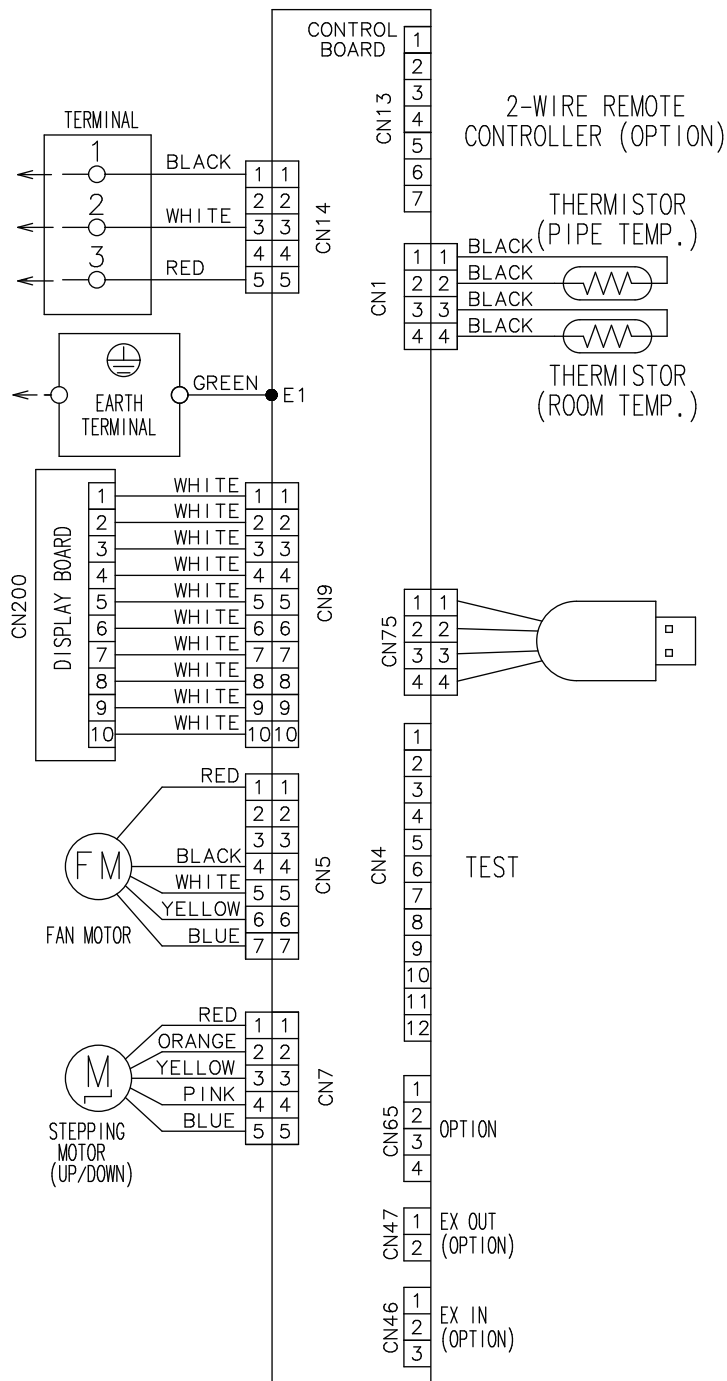
4-5 UNIT
MULTI-SPLIT TYPE



■ Models: ASYG07-14KMCE

4-5 UNIT
MULTI-SPLIT TYPE

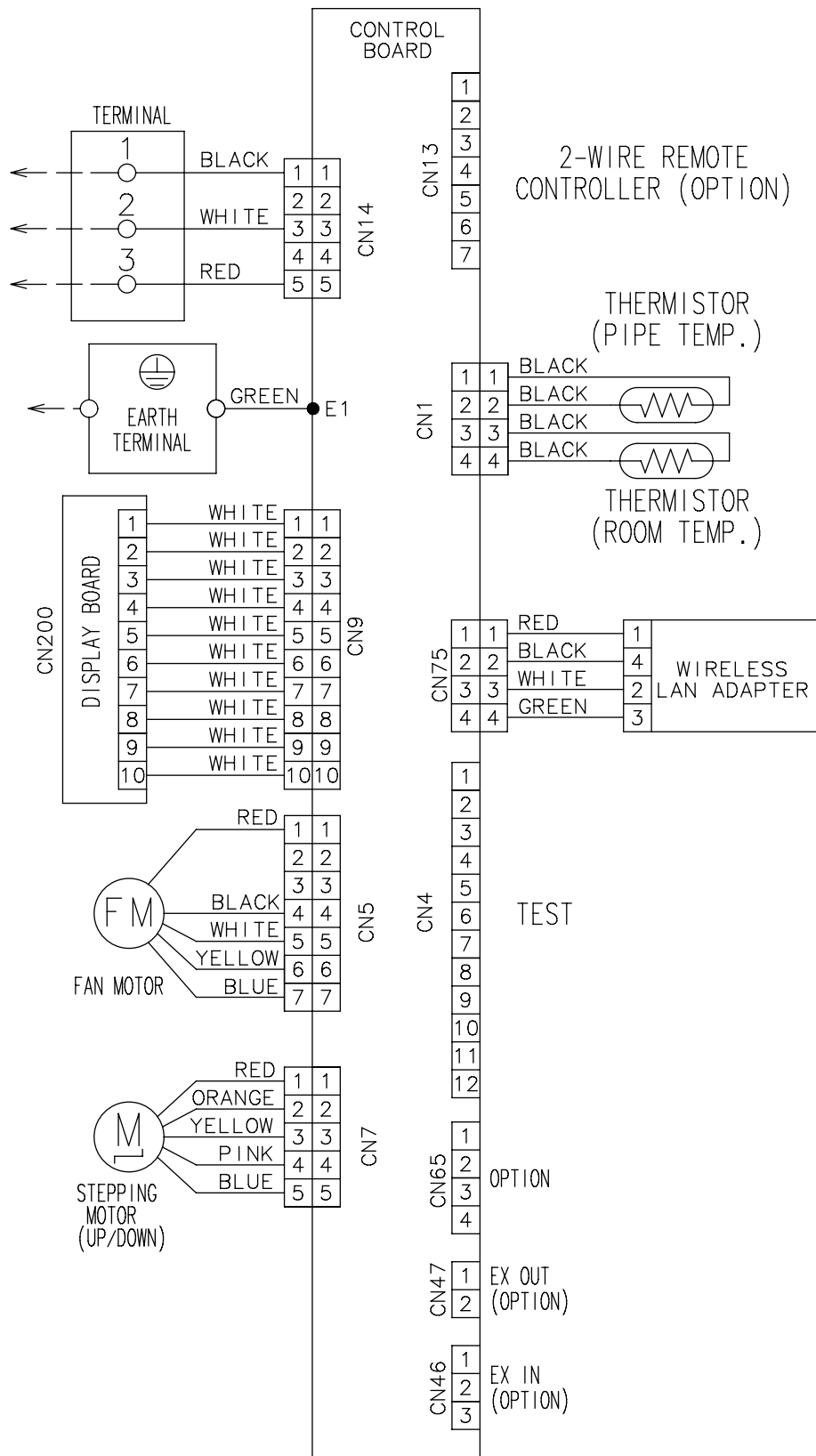
4-5 UNIT
MULTI-SPLIT TYPE



■ Models: ASYG07-14KMCF

4-5 UNIT
MULTI-SPLIT TYPE

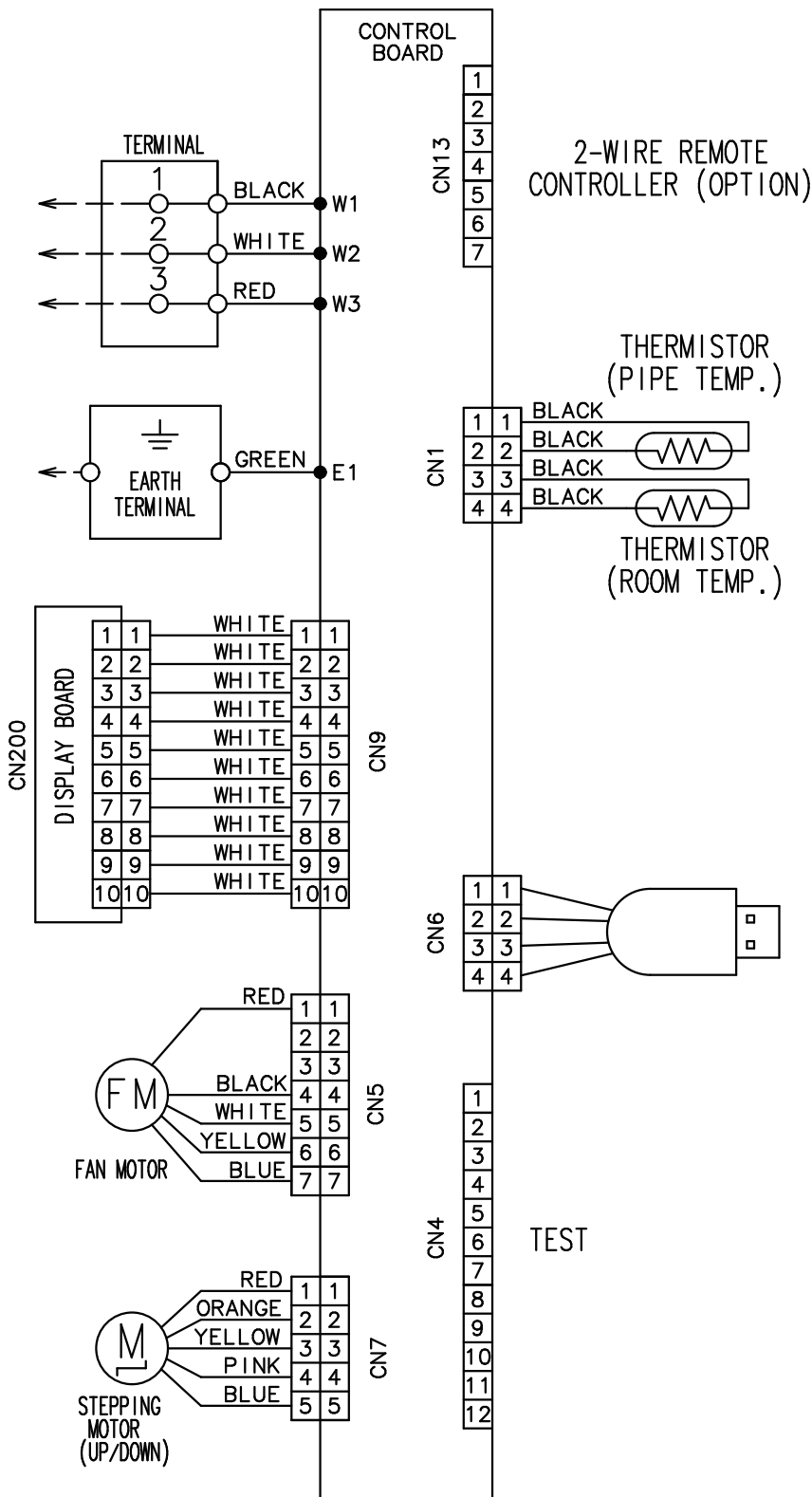
4-5 UNIT
MULTI-SPLIT TYPE



■ Models: ASYG07-14KETA and ASYG07-14KETA-B

4-5 UNIT
MULTI-SPLIT TYPE

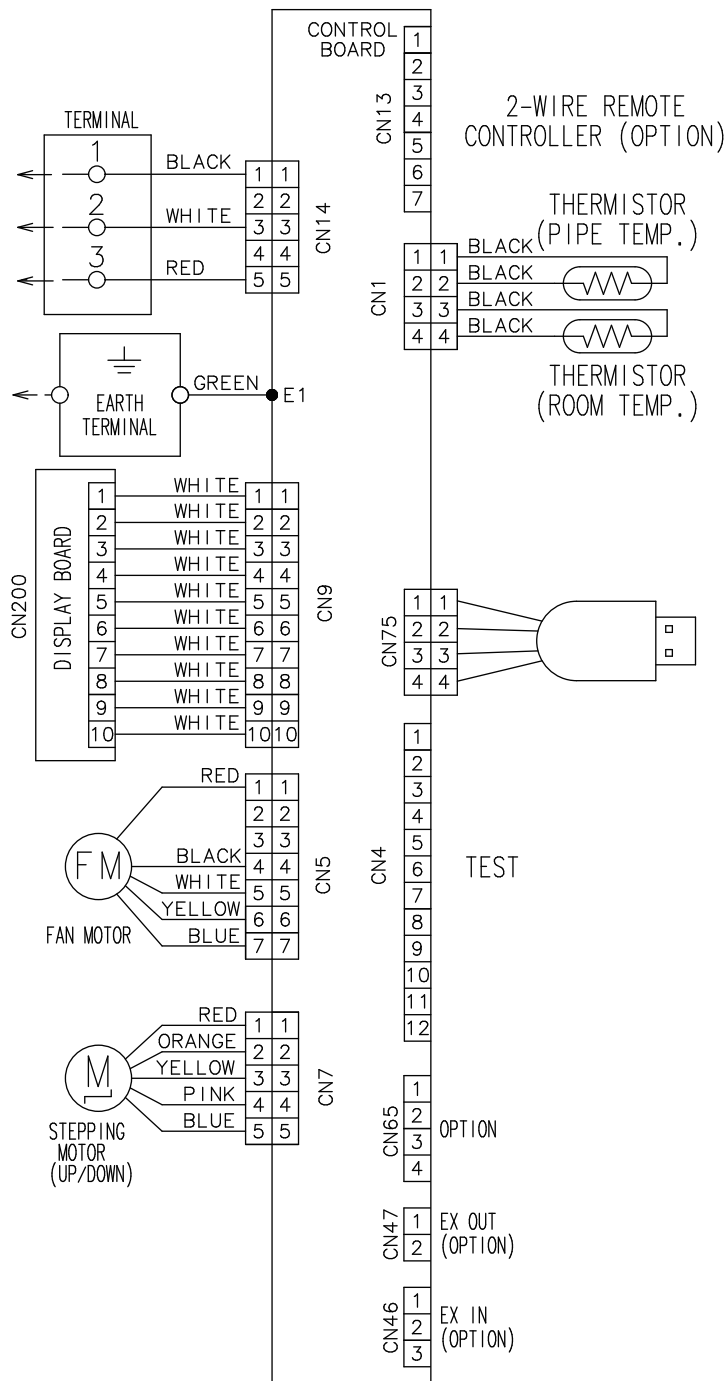
4-5 UNIT
MULTI-SPLIT TYPE



■ Models: ASYG07-14KETE and ASYG07-14KETE-B

4-5 UNIT
MULTI-SPLIT TYPE

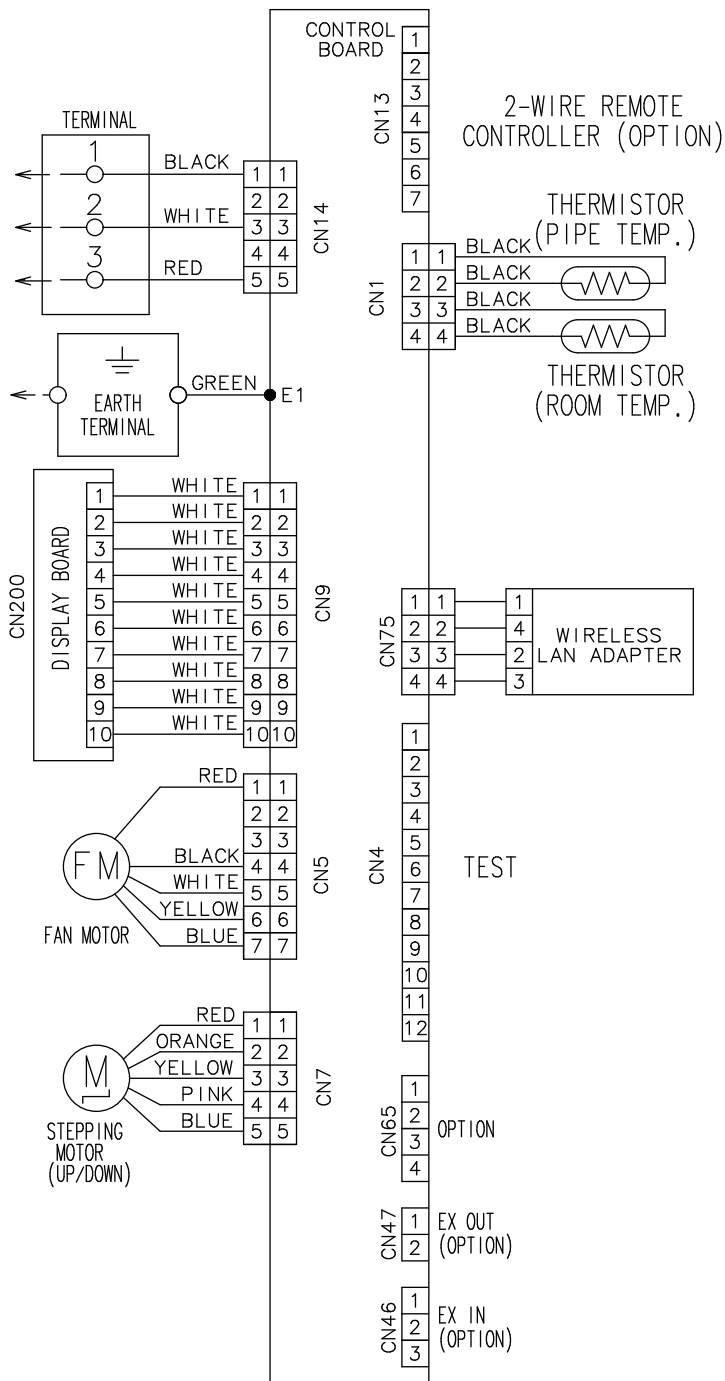
4-5 UNIT
MULTI-SPLIT TYPE



■ Models: ASYG07-14KETF and ASYG07-14KETF-B

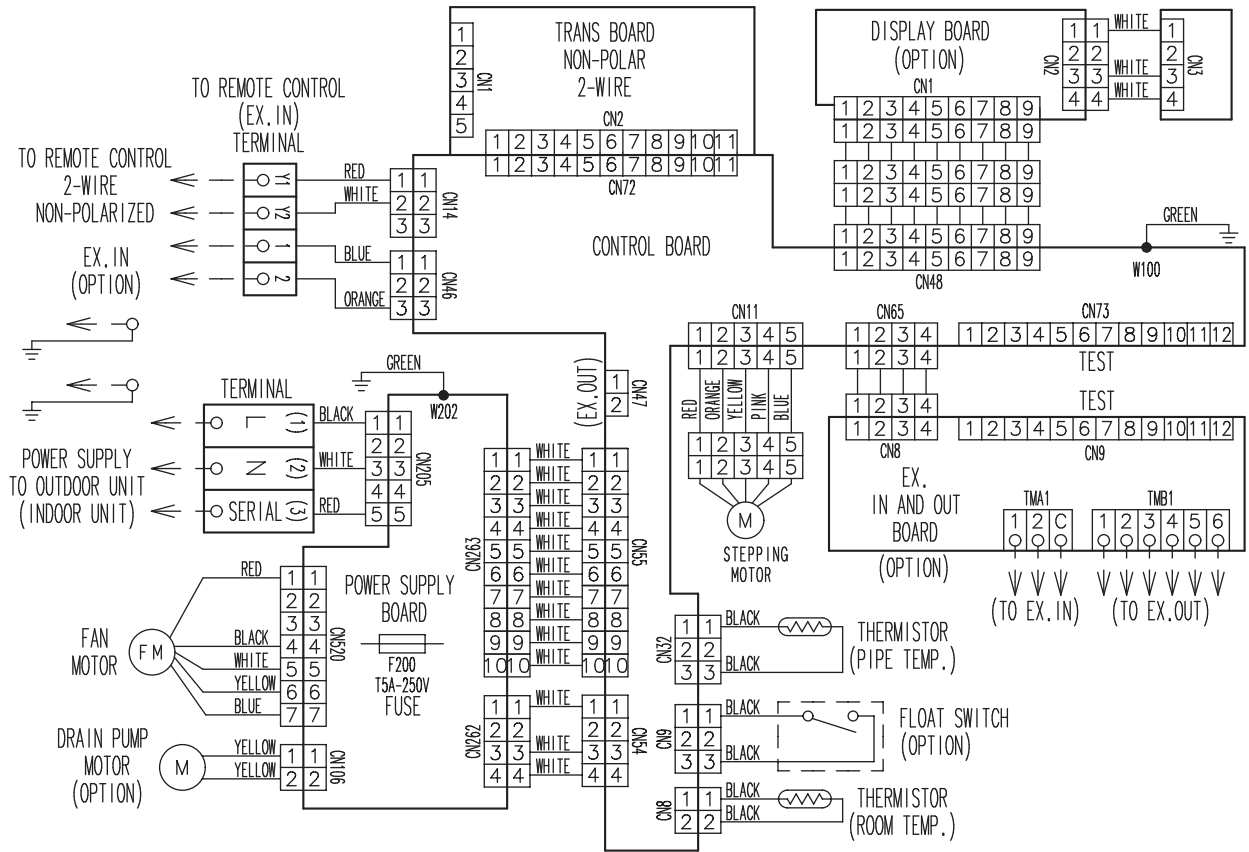
4-5 UNIT
MULTI-SPLIT TYPE

4-5 UNIT
MULTI-SPLIT TYPE



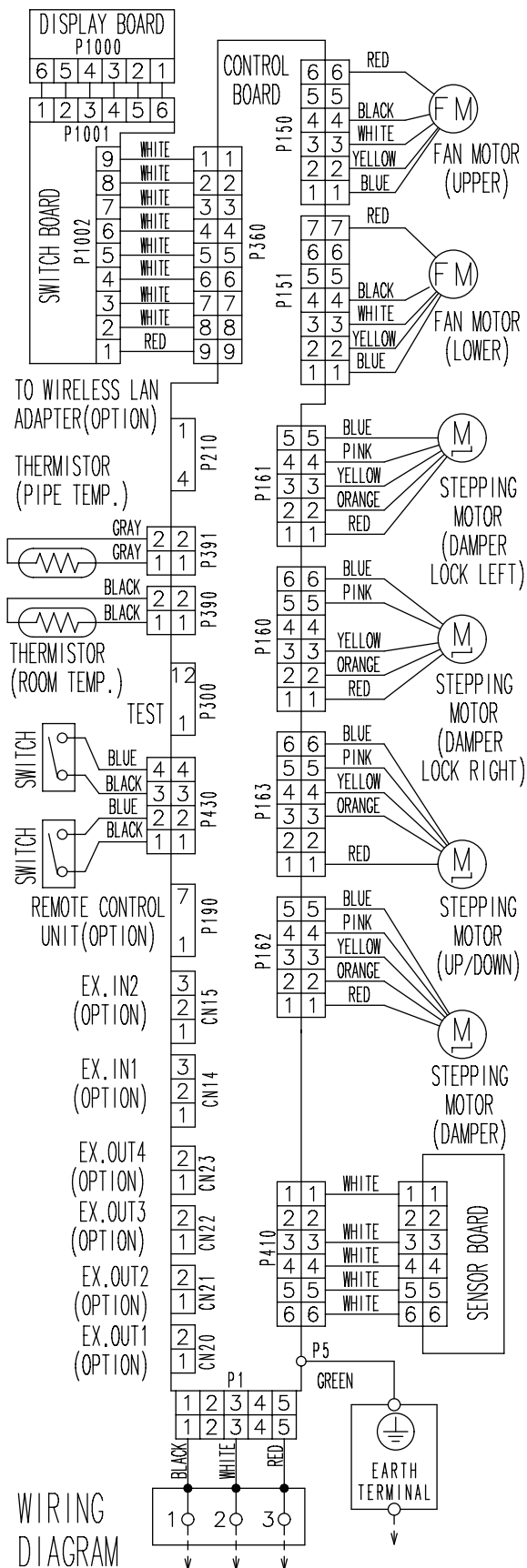
5-5. Ceiling type

Models: ABYG18-22KRTA



5-6. Floor type

Models: AgyG09-14KVCA



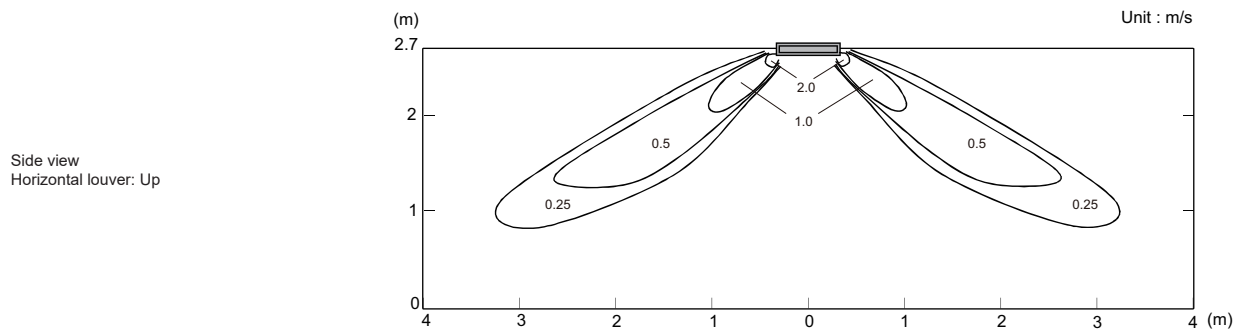
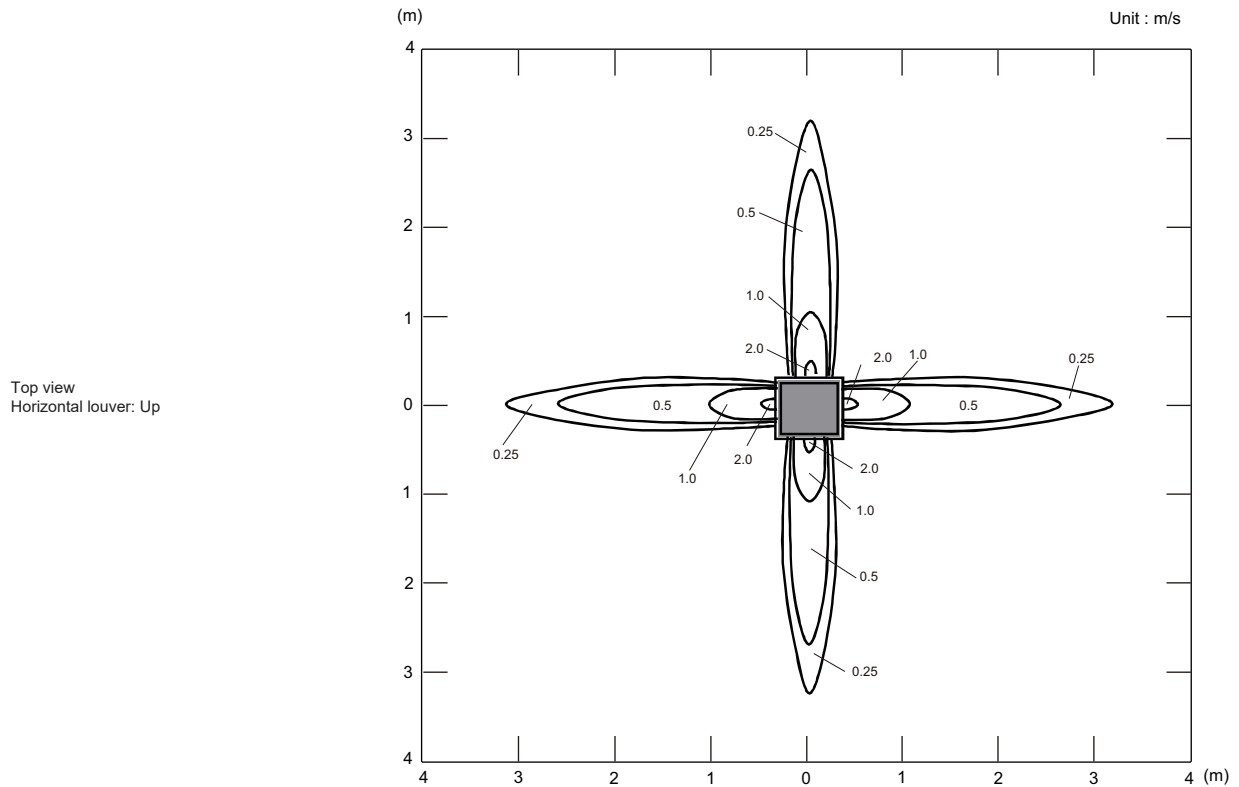
6. Air velocity and temperature distributions

6-1. Compact cassette type

■ Models: AUXG07-09KVLA

- Air velocity distribution

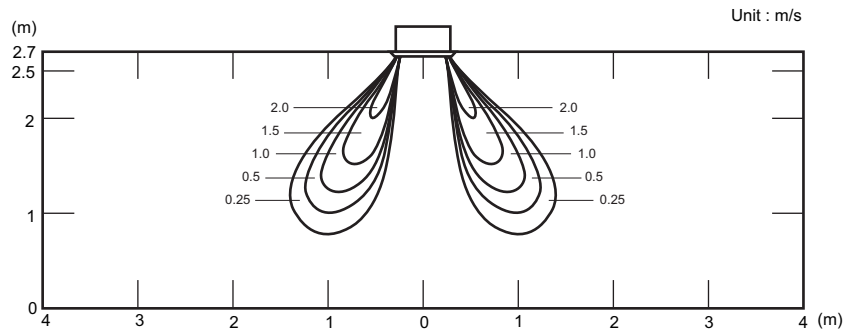
| | | |
|----------------------|-----------|----------------|
| Measuring conditions | Fan speed | Operation mode |
| | HIGH | FAN |



• Air velocity distribution

| | | | |
|-----------------------------|-----------|----------------|-------------------|
| Measuring conditions | Fan speed | Operation mode | Outlet directions |
| NOTE: Reference data | HIGH | HEAT | 4-way air outlet |

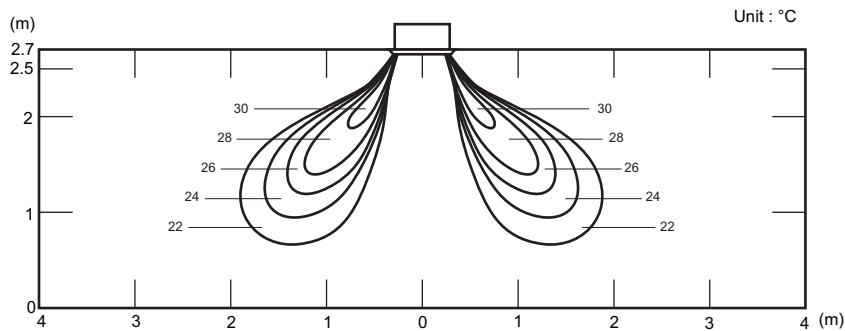
Side view
Horizontal louver: Down



• Air temperature distribution

| | | | |
|-----------------------------|-----------|----------------|-------------------|
| Measuring conditions | Fan speed | Operation mode | Outlet directions |
| NOTE: Reference data | HIGH | HEAT | 4-way air outlet |

Side view
Horizontal louver: Down

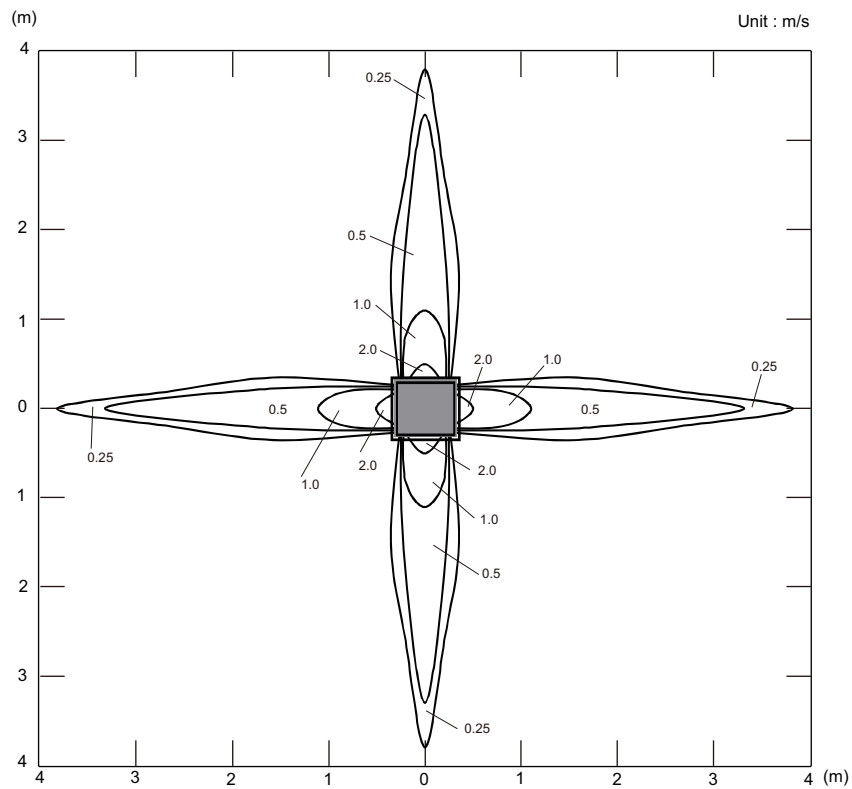


Model: AUXG12KVL A

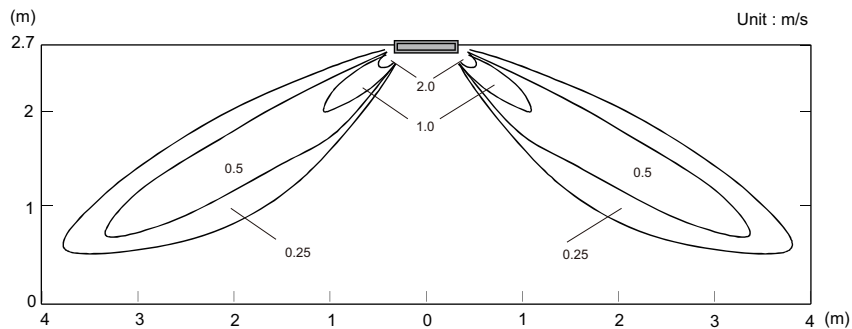
- Air velocity distribution

| | | |
|----------------------|-----------|----------------|
| Measuring conditions | Fan speed | Operation mode |
| | HIGH | FAN |

Top view
Horizontal louver: Up



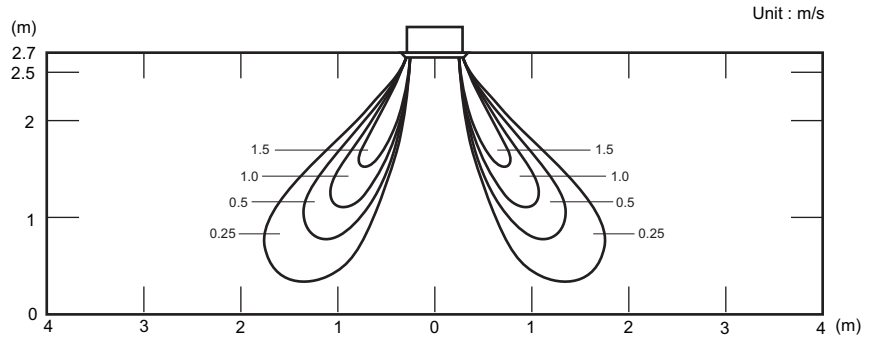
Side view
Horizontal louver: Up



• Air velocity distribution

| | | | |
|-----------------------------|-----------|----------------|-------------------|
| Measuring conditions | Fan speed | Operation mode | Outlet directions |
| NOTE: Reference data | HIGH | HEAT | 4-way air outlet |

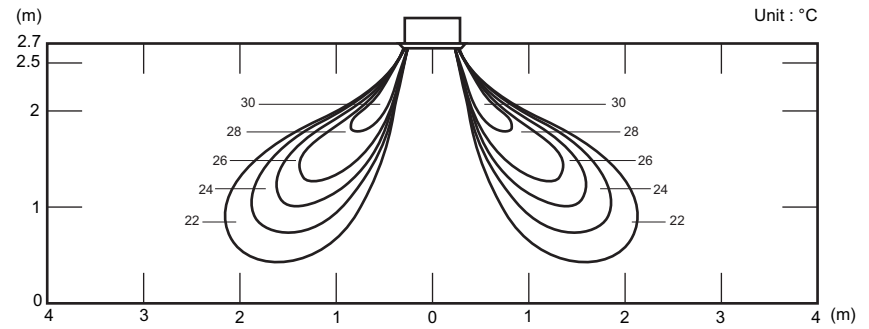
Side view
Horizontal louver: Down



• Air temperature distribution

| | | | |
|-----------------------------|-----------|----------------|-------------------|
| Measuring conditions | Fan speed | Operation mode | Outlet directions |
| NOTE: Reference data | HIGH | HEAT | 4-way air outlet |

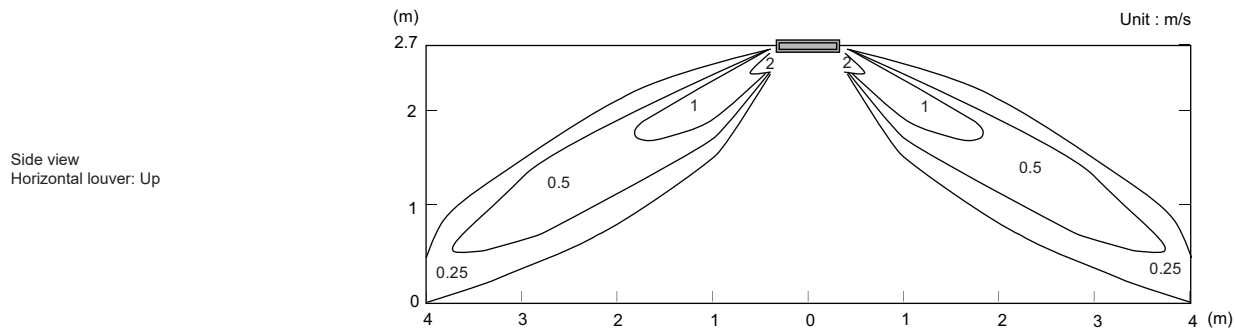
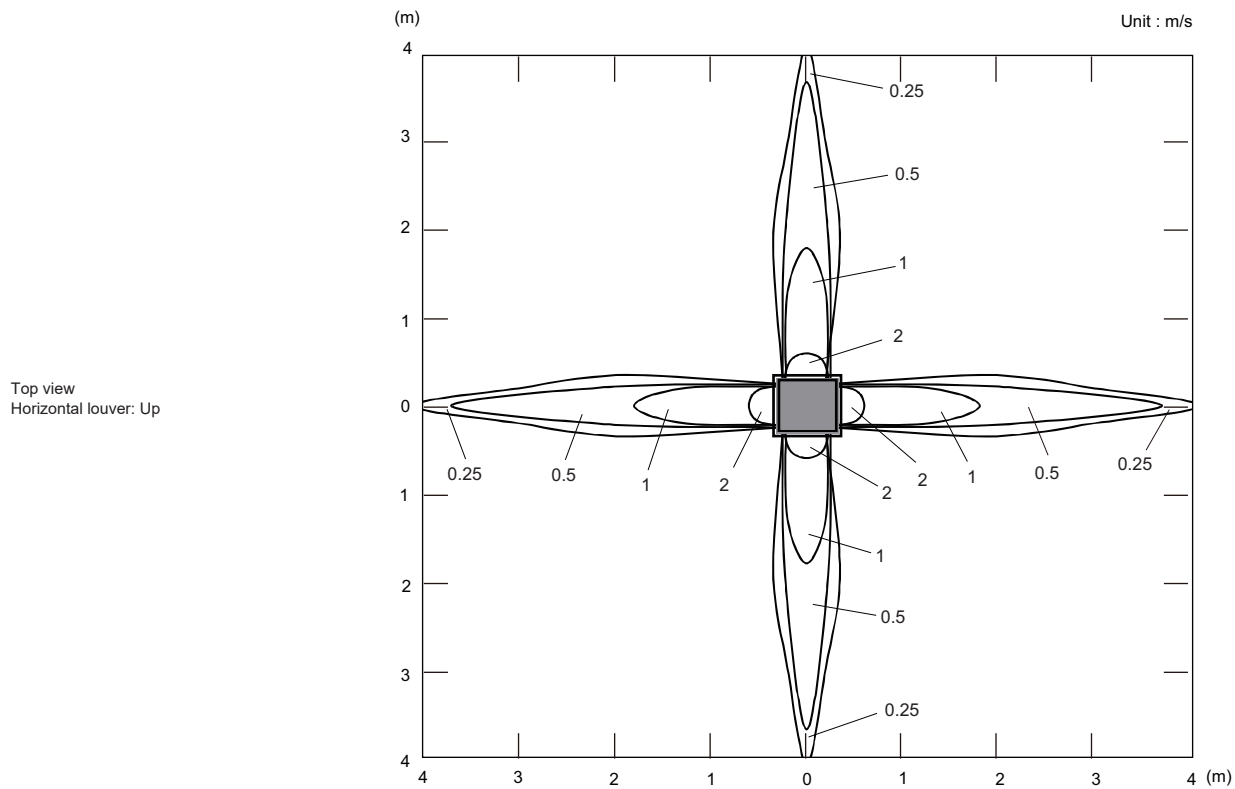
Side view
Horizontal louver: Down



Model: AUXG14KVL A

- Air velocity distribution

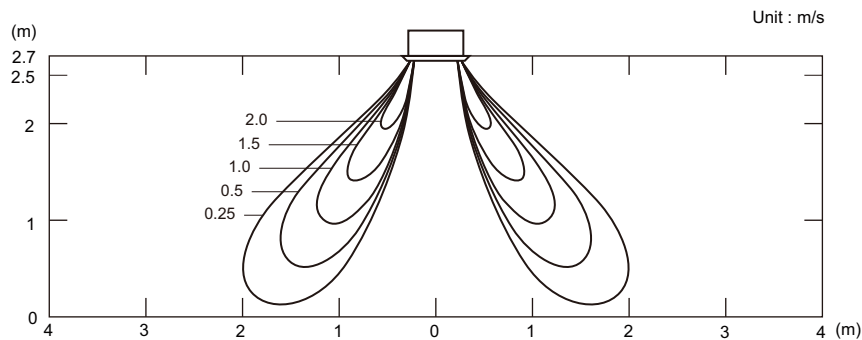
| | | |
|----------------------|-----------|----------------|
| Measuring conditions | Fan speed | Operation mode |
| | HIGH | FAN |



• Air velocity distribution

| | | | |
|-----------------------------|-----------|----------------|-------------------|
| Measuring conditions | Fan speed | Operation mode | Outlet directions |
| NOTE: Reference data | HIGH | HEAT | 4-way air outlet |

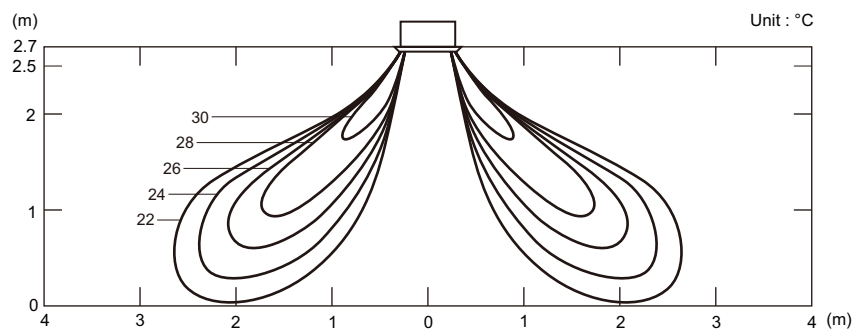
Side view
Horizontal louver: Down



• Air temperature distribution

| | | | |
|-----------------------------|-----------|----------------|-------------------|
| Measuring conditions | Fan speed | Operation mode | Outlet directions |
| NOTE: Reference data | HIGH | HEAT | 4-way air outlet |

Side view
Horizontal louver: Down



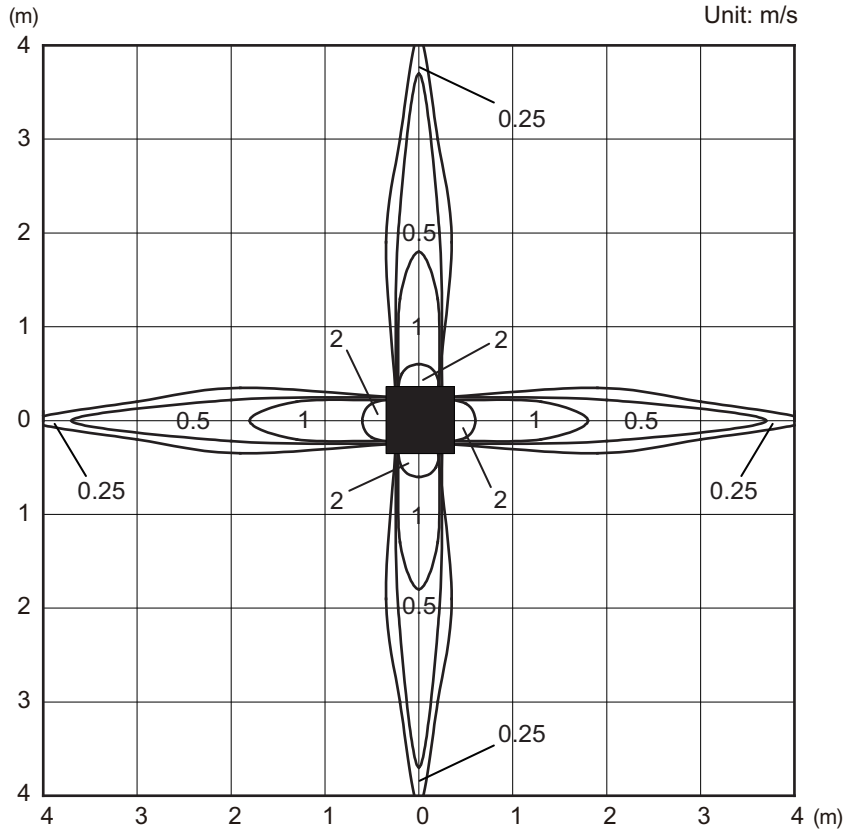
Model: AUXG18KVL A

| | | | |
|----------------------|-----------|----------------|--------------|
| Measuring conditions | Fan speed | Operation mode | Ceiling mode |
| | HIGH | FAN | STANDARD |

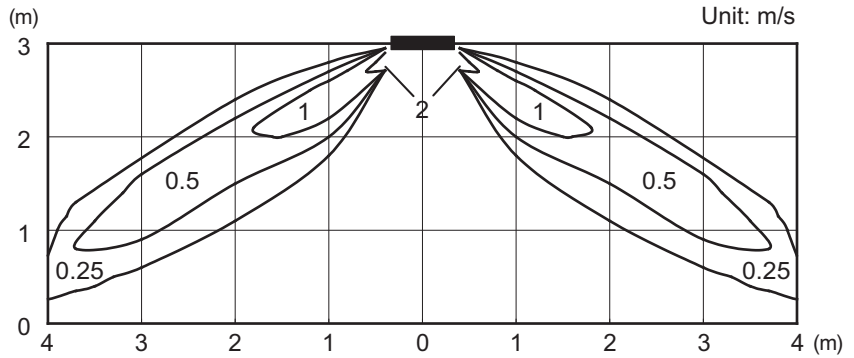
4-5 UNIT
MULTI-SPLIT TYPE

4-5 UNIT
MULTI-SPLIT TYPE

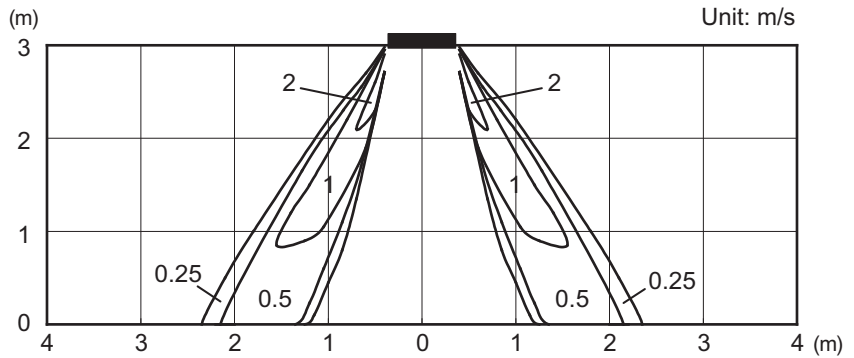
Top view
Horizontal louver: Up



Side view
Horizontal louver: Up



Side view
Horizontal louver: Down



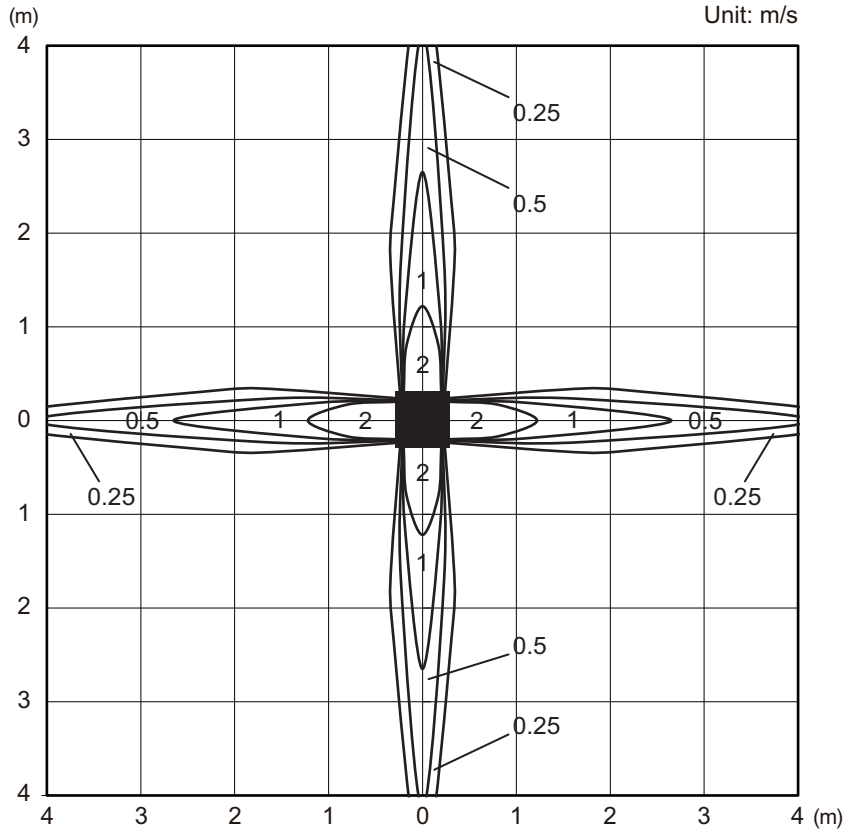
Model: AUXG22KVLA

| | | | |
|----------------------|-----------|----------------|--------------|
| Measuring conditions | Fan speed | Operation mode | Ceiling mode |
| | HIGH | FAN | STANDARD |

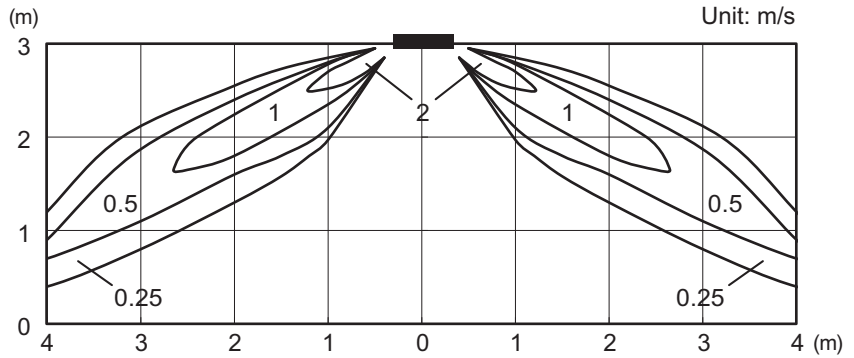
4-5 UNIT
MULTI-SPLIT TYPE

4-5 UNIT
MULTI-SPLIT TYPE

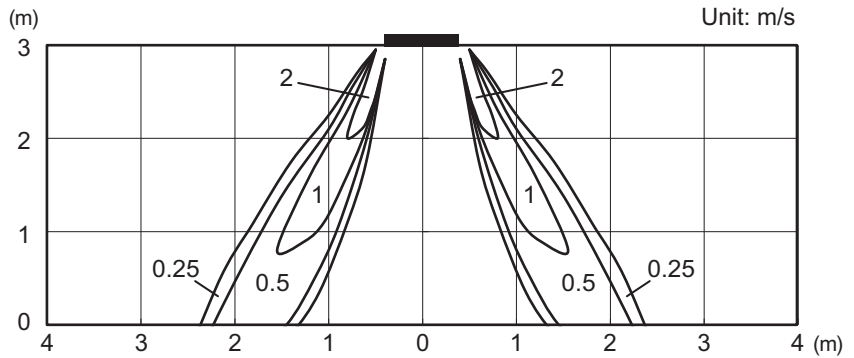
Top view
Horizontal louver: Up



Side view
Horizontal louver: Up



Side view
Horizontal louver: Down



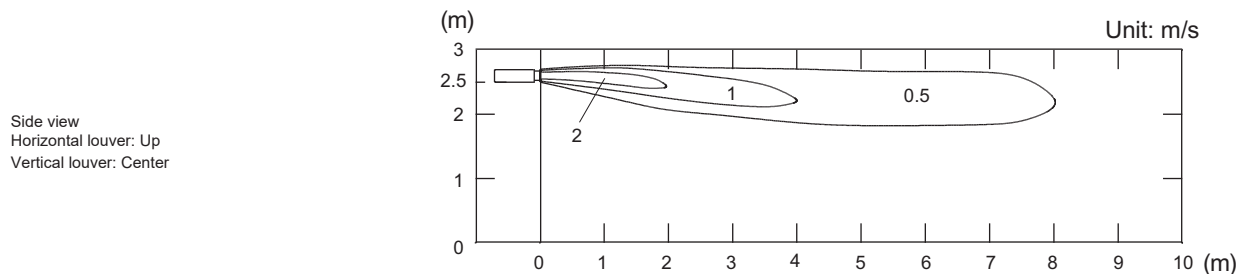
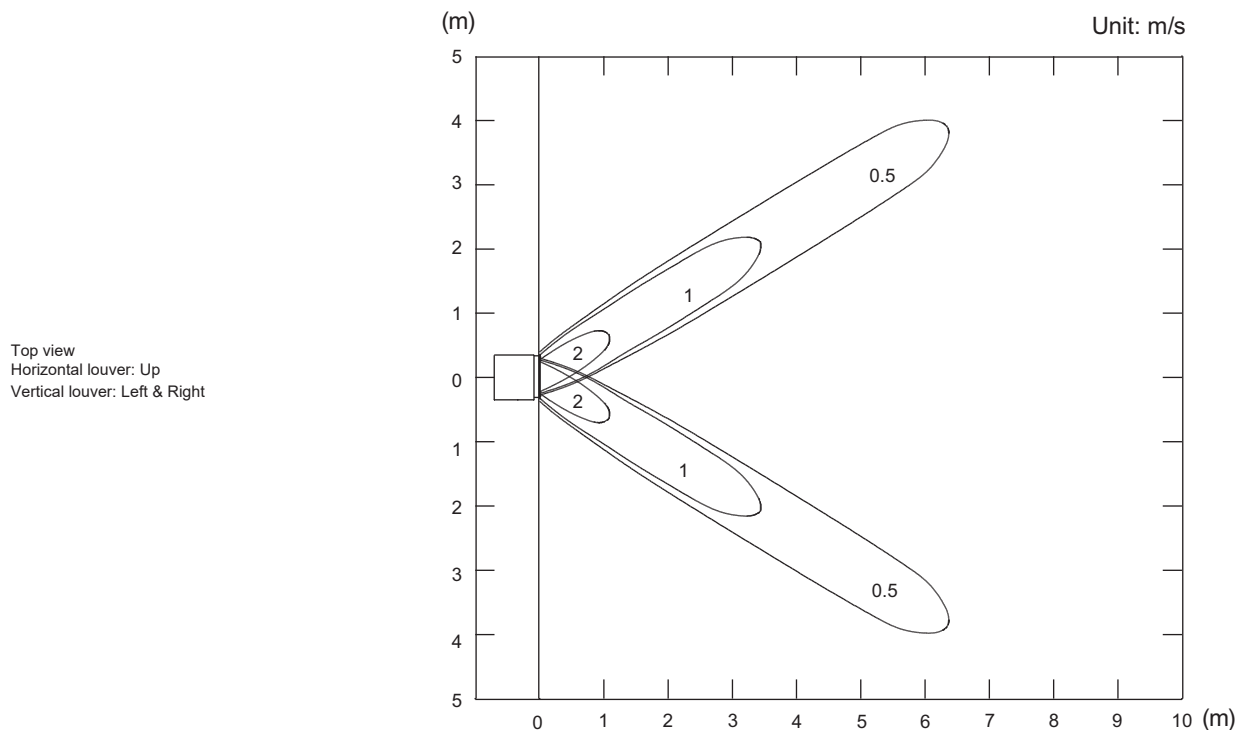
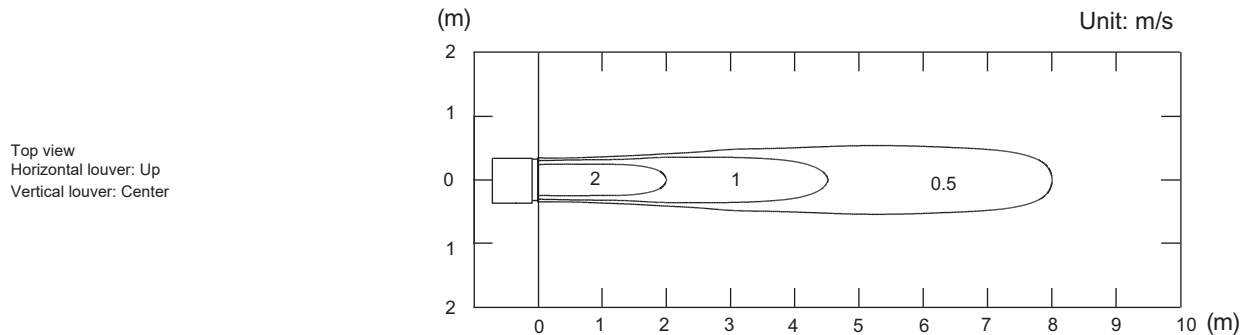
6-2. Mini duct type

Model: ARXG07KSLAP

NOTE: This data is measured after installing optional Auto louver grille kit.

- Air velocity distribution

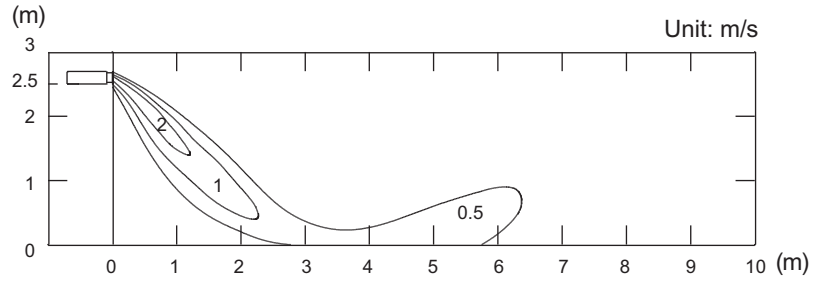
| | | |
|----------------------|-----------|----------------|
| Measuring conditions | Fan speed | Operation mode |
| | HIGH | FAN |



• Air velocity distribution

| | | |
|----------------------|-----------|----------------|
| Measuring conditions | Fan speed | Operation mode |
| | HIGH | HEAT |

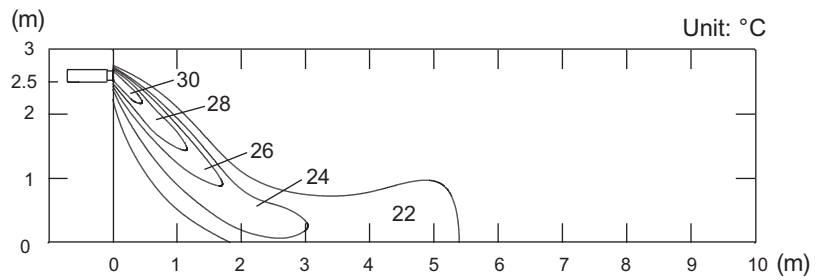
Side view
Horizontal louver: Down
Vertical louver: Center



• Air temperature distribution

| | | |
|----------------------|-----------|----------------|
| Measuring conditions | Fan speed | Operation mode |
| | HIGH | HEAT |

Side view
Horizontal louver: Down
Vertical louver: Center

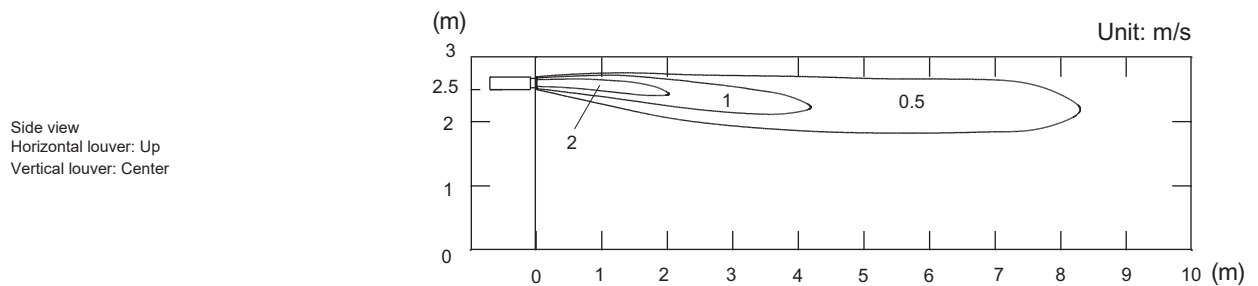
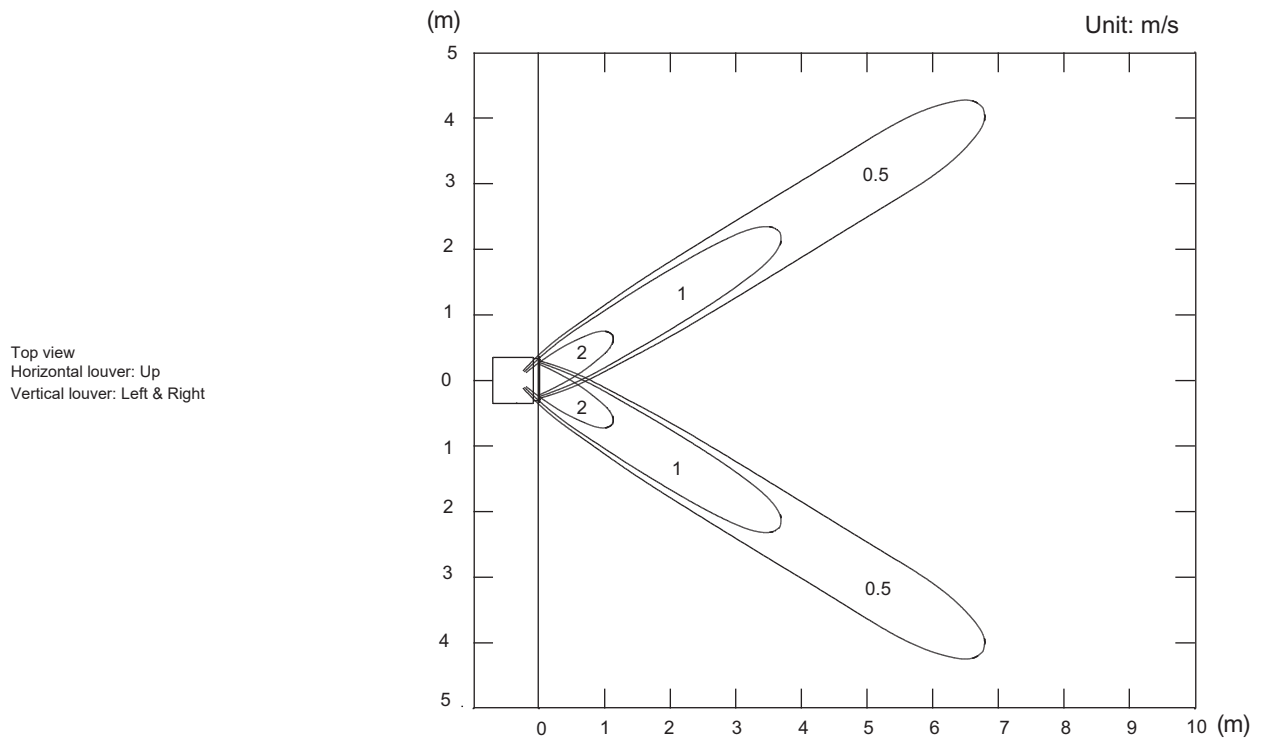
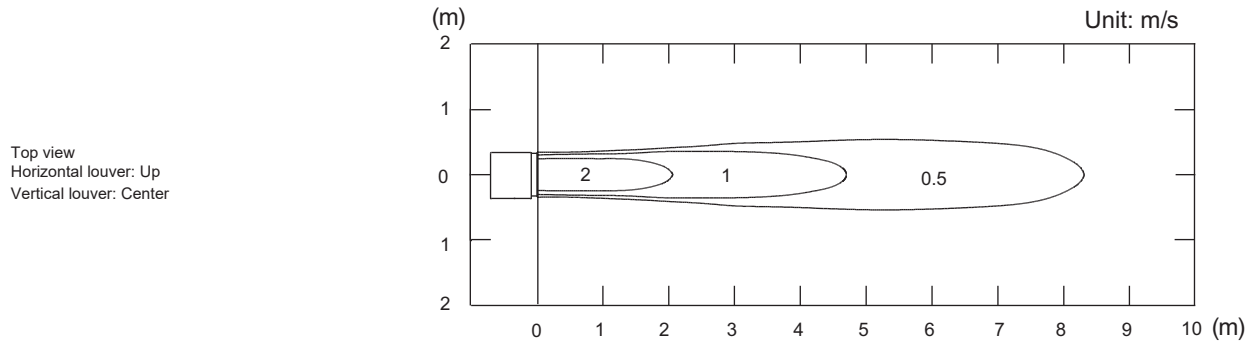


Model: ARXG09KSLAP

NOTE: This data is measured after installing optional Auto Louver Grille Kit.

- Air velocity distribution

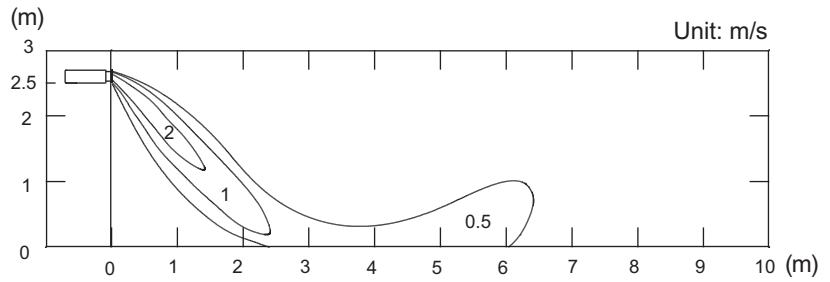
| | | |
|----------------------|-----------|----------------|
| Measuring conditions | Fan speed | Operation mode |
| | HIGH | FAN |



• Air velocity distribution

| | | |
|----------------------|-----------|----------------|
| Measuring conditions | Fan speed | Operation mode |
| | HIGH | HEAT |

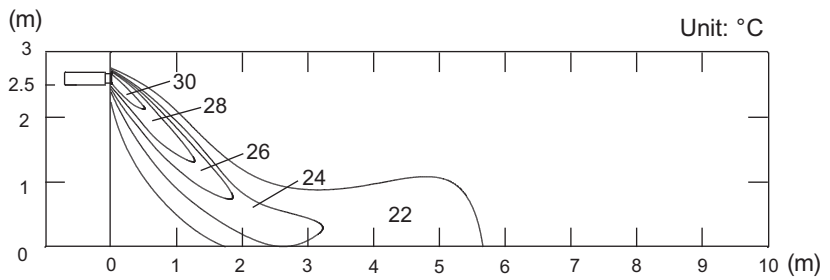
Side view
Horizontal louver: Down
Vertical louver: Center



• Air temperature distribution

| | | |
|----------------------|-----------|----------------|
| Measuring conditions | Fan speed | Operation mode |
| | HIGH | HEAT |

Side view
Horizontal louver: Down
Vertical louver: Center

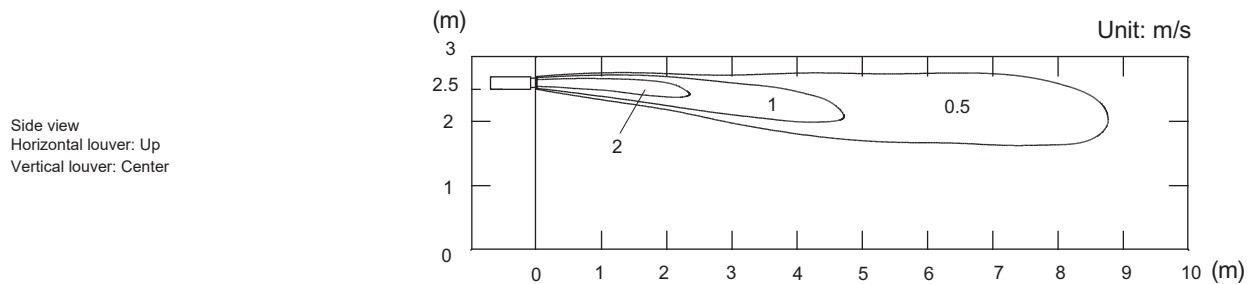
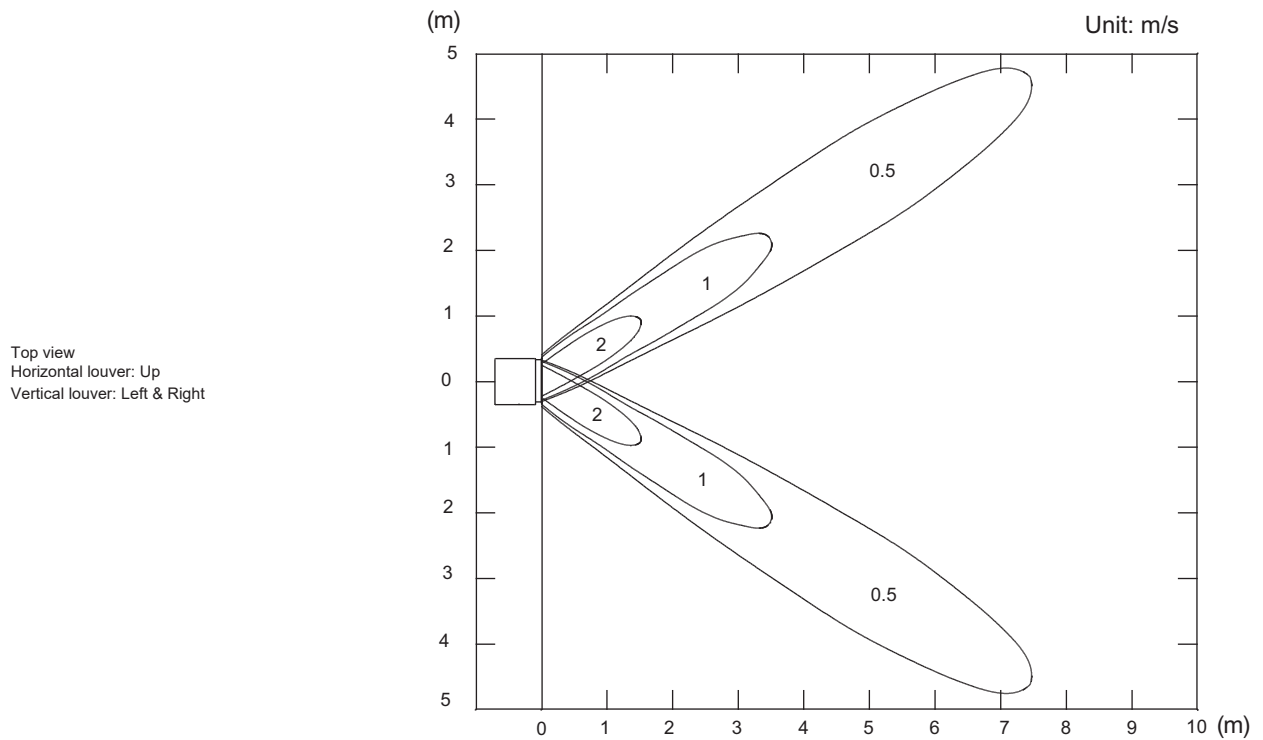
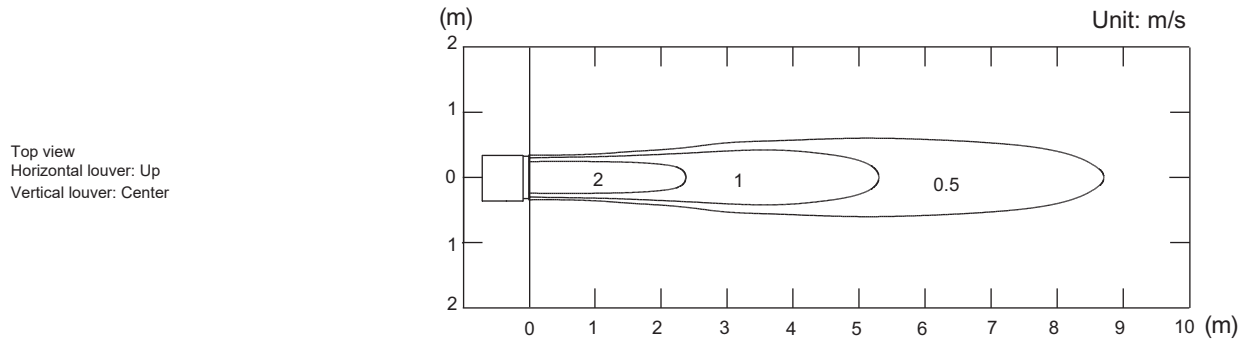


Model: ARXG12KSLAP

NOTE: This data is measured after installing optional Auto Louver Grille Kit.

- Air velocity distribution

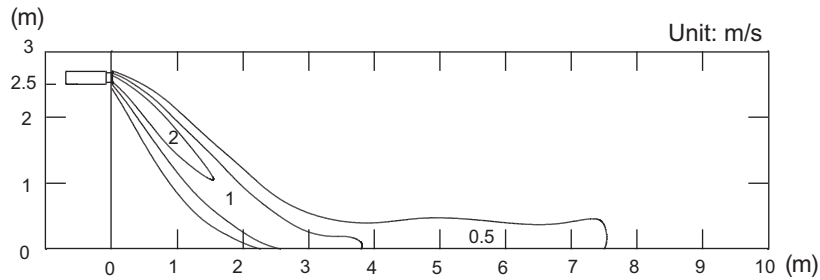
| | | |
|----------------------|-----------|----------------|
| Measuring conditions | Fan speed | Operation mode |
| | HIGH | FAN |



• Air velocity distribution

| | | |
|----------------------|-----------|----------------|
| Measuring conditions | Fan speed | Operation mode |
| | HIGH | HEAT |

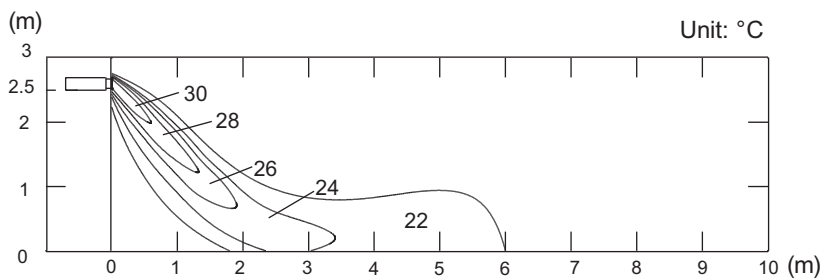
Side view
Horizontal louver: Down
Vertical louver: Center



• Air temperature distribution

| | | |
|----------------------|-----------|----------------|
| Measuring conditions | Fan speed | Operation mode |
| | HIGH | HEAT |

Side view
Horizontal louver: Down
Vertical louver: Center

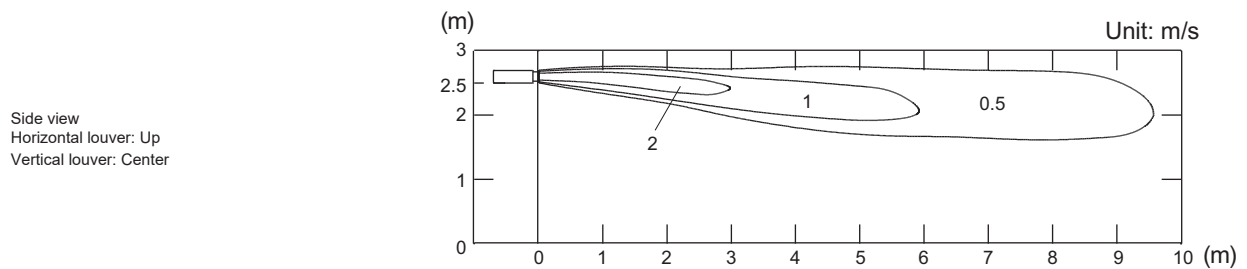
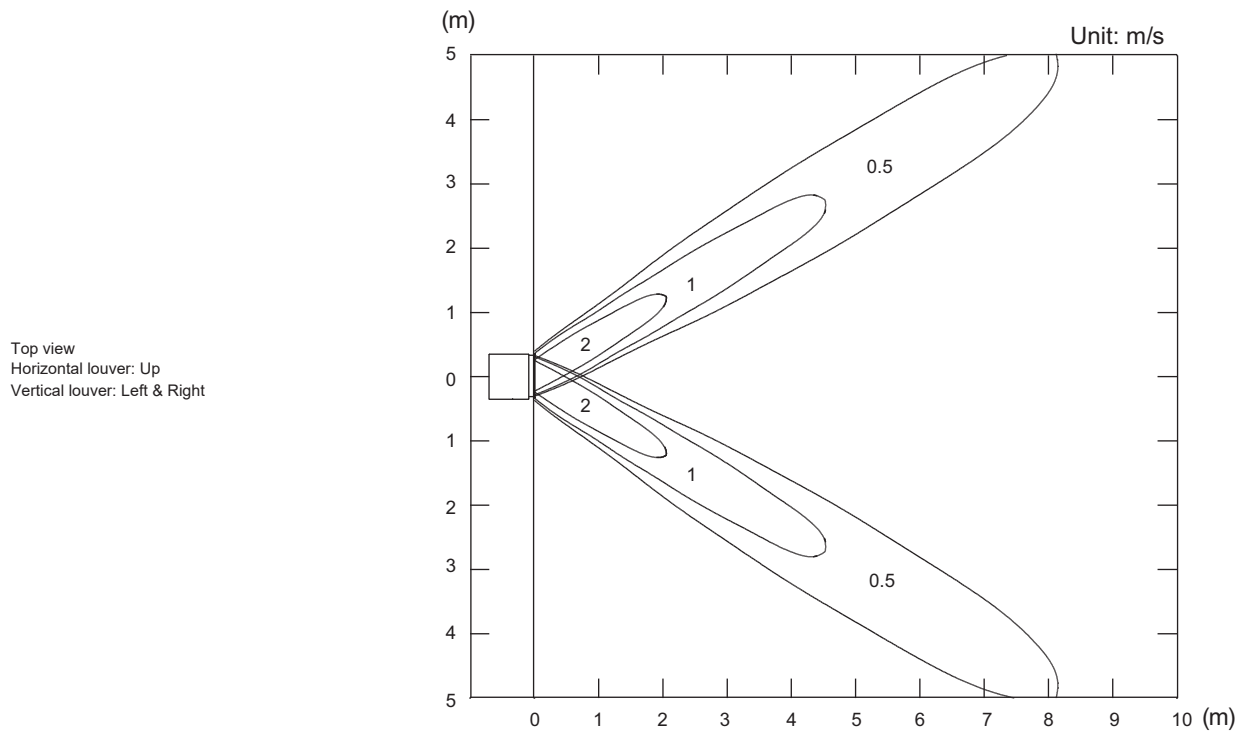
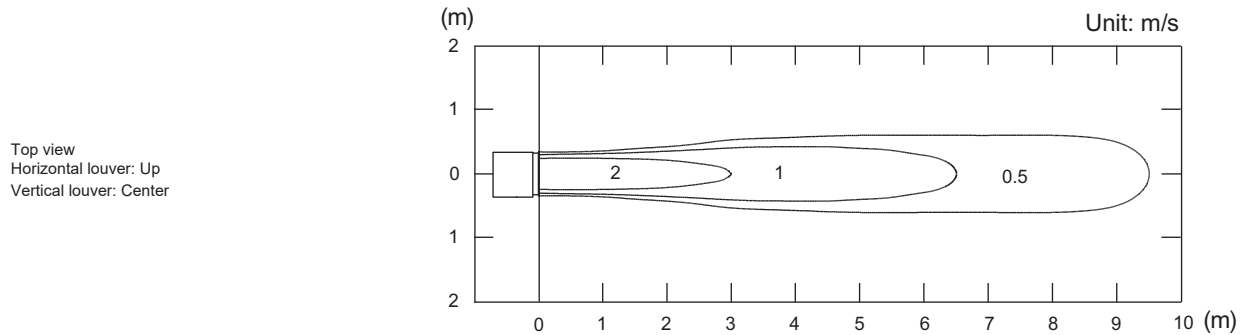


Model: ARXG14KSLAP

NOTE: This data is measured after installing optional Auto louver grille kit.

- Air velocity distribution

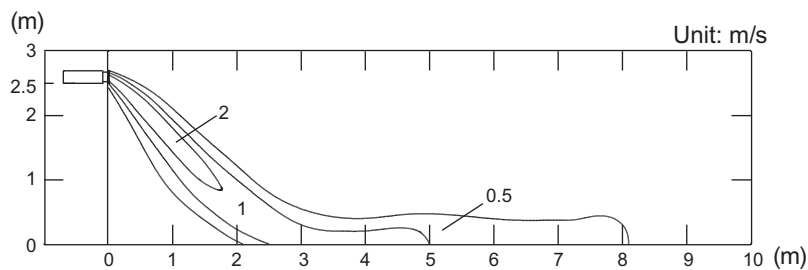
| | | |
|----------------------|-----------|----------------|
| Measuring conditions | Fan speed | Operation mode |
| | HIGH | FAN |



• Air velocity distribution

| | | |
|----------------------|-----------|----------------|
| Measuring conditions | Fan speed | Operation mode |
| | HIGH | HEAT |

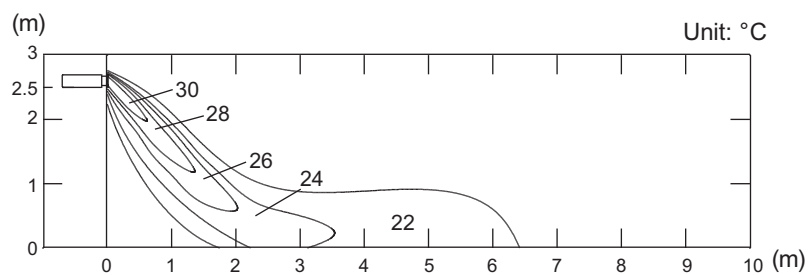
Side view
Horizontal louver: Down
Vertical louver: Center



• Air temperature distribution

| | | |
|----------------------|-----------|----------------|
| Measuring conditions | Fan speed | Operation mode |
| | HIGH | HEAT |

Side view
Horizontal louver: Down
Vertical louver: Center

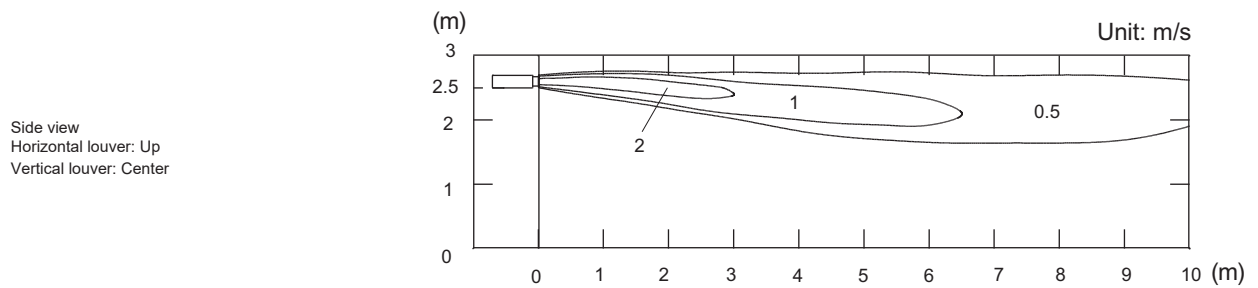
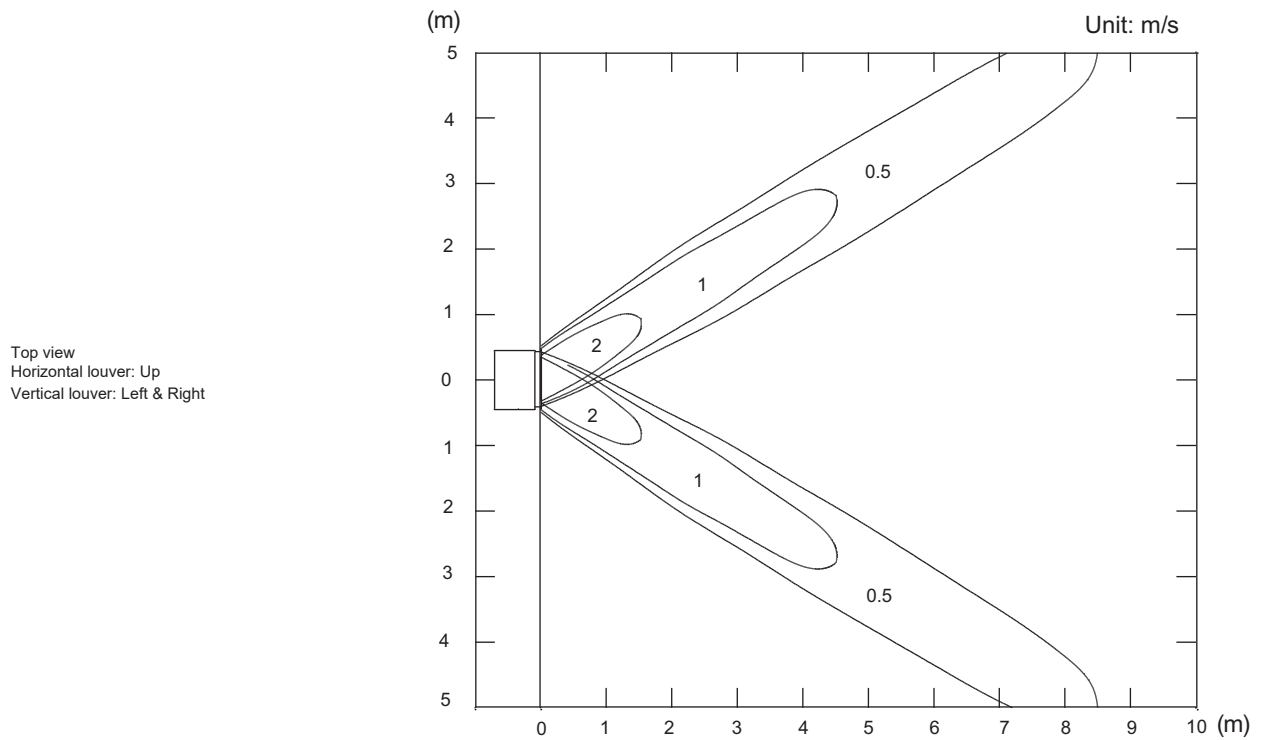
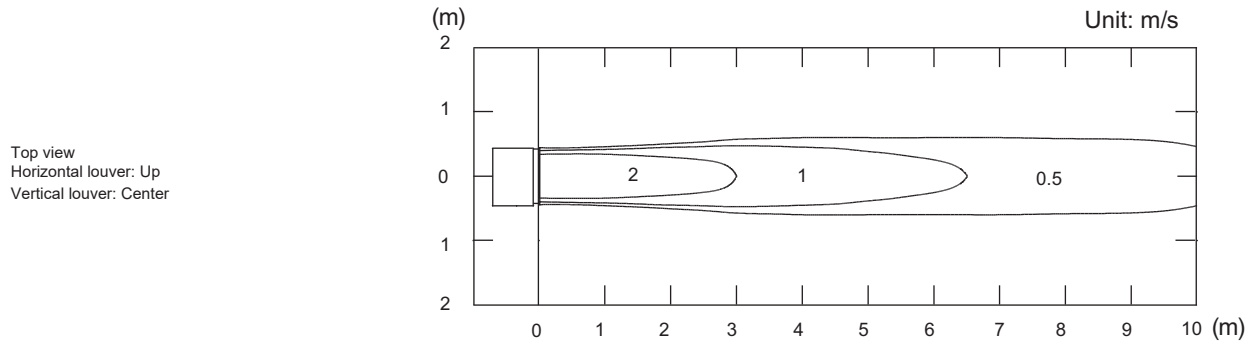


Model: ARXG18KSLAP

NOTE: This data is measured after installing optional Auto Louver Grille Kit.

- Air velocity distribution

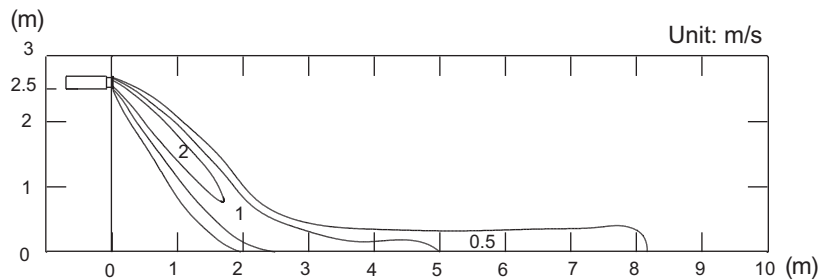
| | | |
|----------------------|-----------|----------------|
| Measuring conditions | Fan speed | Operation mode |
| | HIGH | FAN |



• Air velocity distribution

| | | |
|----------------------|-----------|----------------|
| Measuring conditions | Fan speed | Operation mode |
| | HIGH | HEAT |

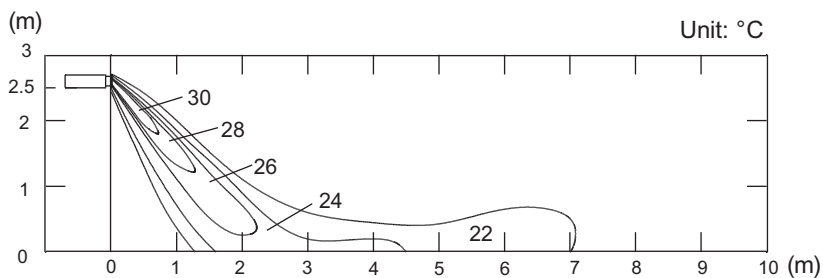
Side view
Horizontal louver: Down
Vertical louver: Center



• Air temperature distribution

| | | |
|----------------------|-----------|----------------|
| Measuring conditions | Fan speed | Operation mode |
| | HIGH | HEAT |

Side view
Horizontal louver: Down
Vertical louver: Center



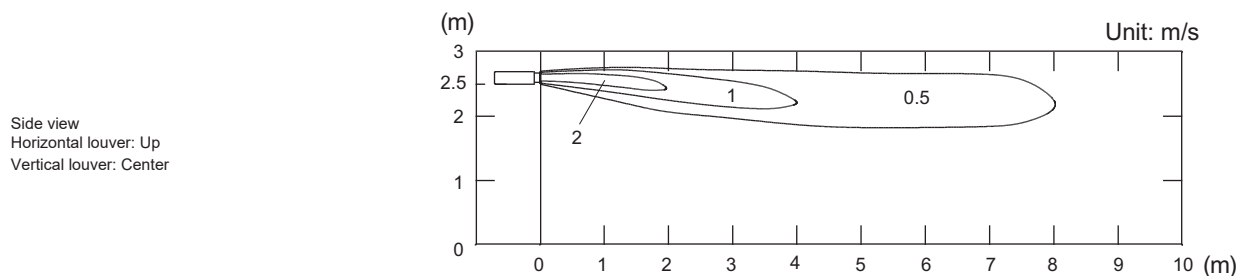
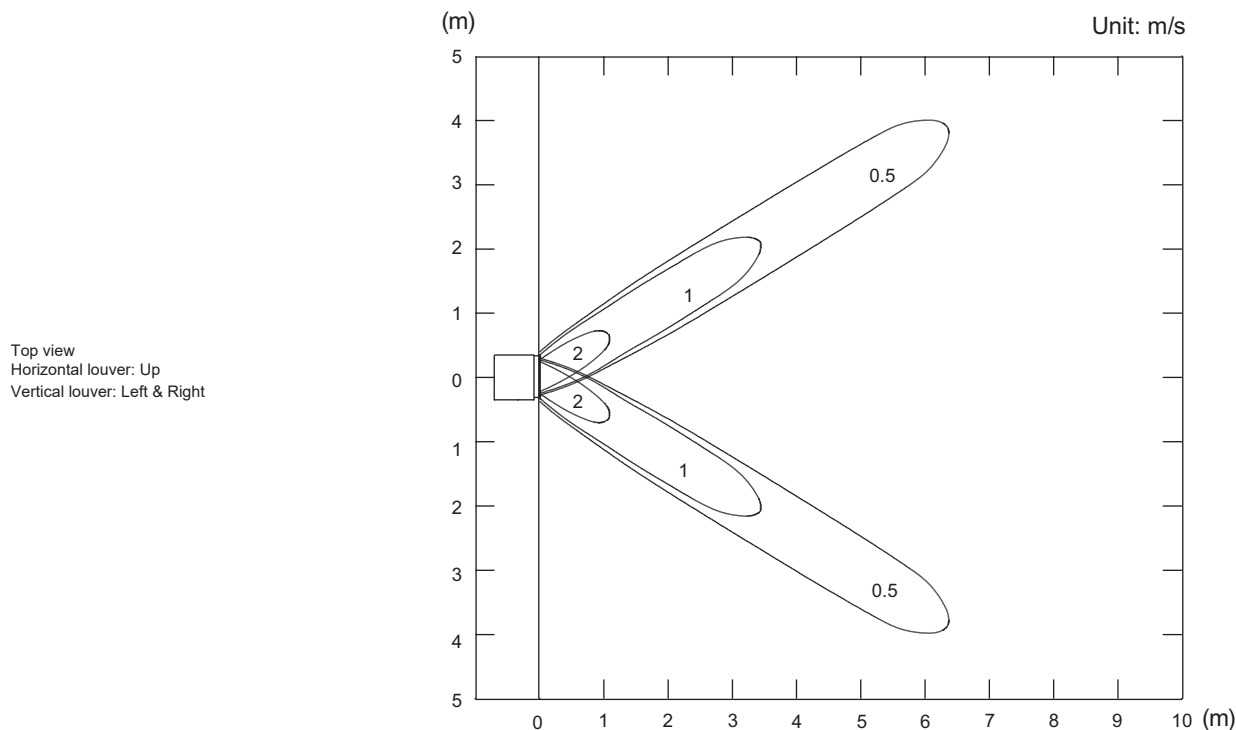
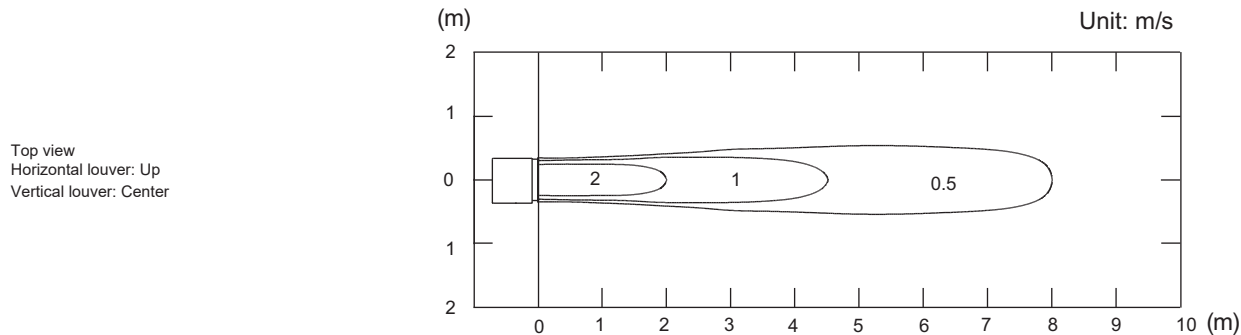
6-3. Slim duct type

Model: ARXG07KLLAP

NOTE: This data is measured after installing optional Auto louver grille kit.

- Air velocity distribution

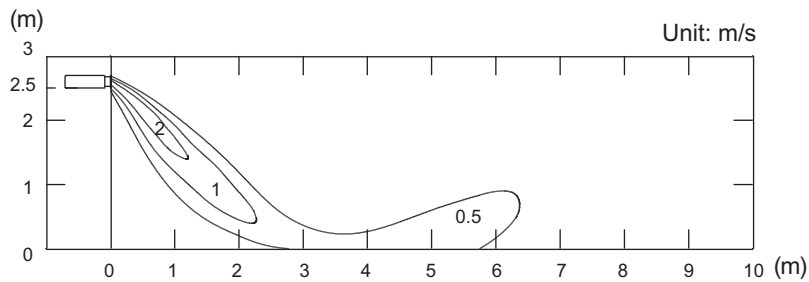
| | | |
|----------------------|-----------|----------------|
| Measuring conditions | Fan speed | Operation mode |
| | HIGH | FAN |



• Air velocity distribution

| | | |
|----------------------|-----------|----------------|
| Measuring conditions | Fan speed | Operation mode |
| | HIGH | HEAT |

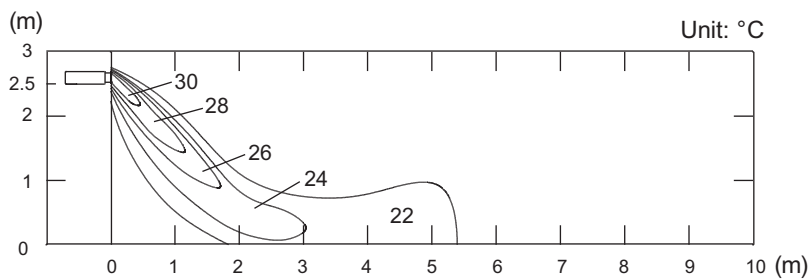
Side view
Horizontal louver: Down
Vertical louver: Center



• Air temperature distribution

| | | |
|----------------------|-----------|----------------|
| Measuring conditions | Fan speed | Operation mode |
| | HIGH | HEAT |

Side view
Horizontal louver: Down
Vertical louver: Center

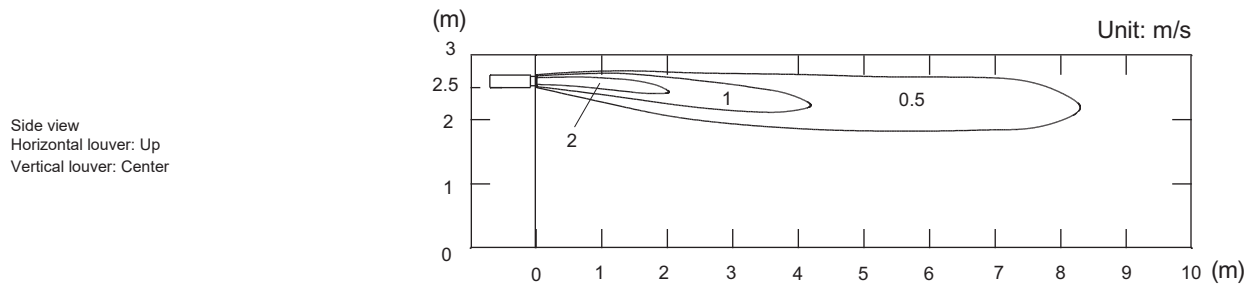
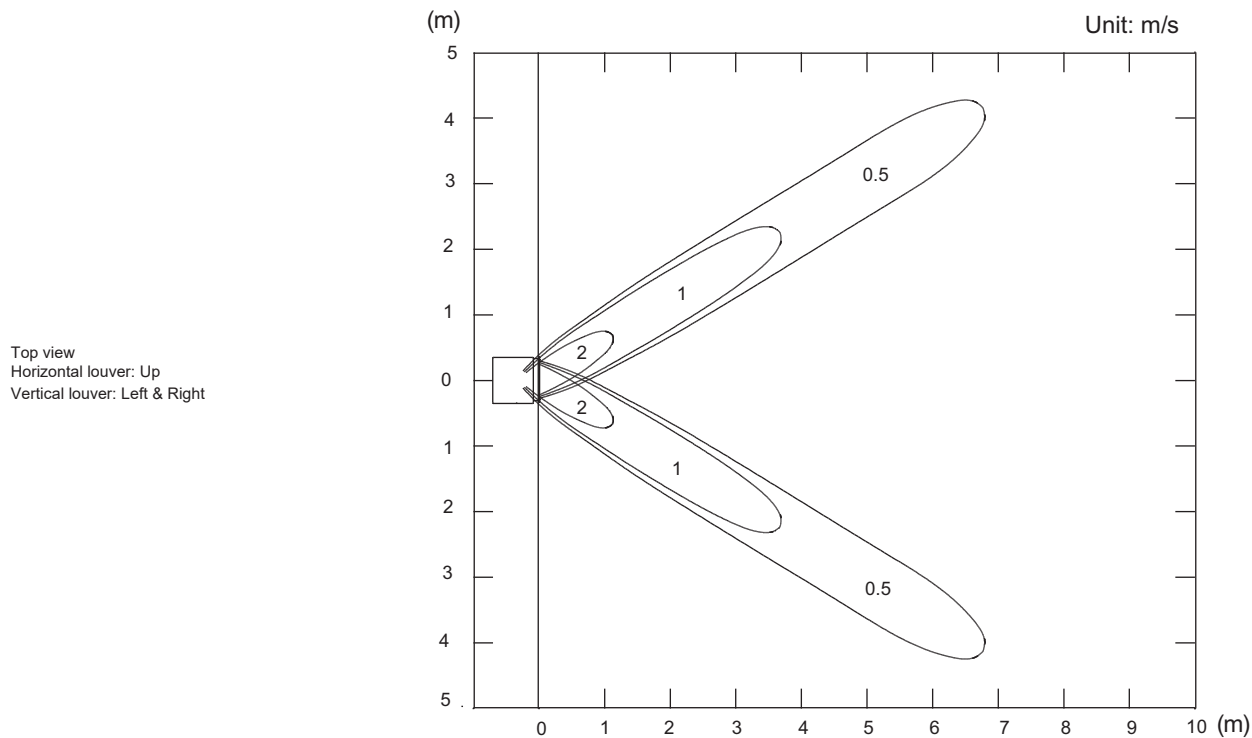
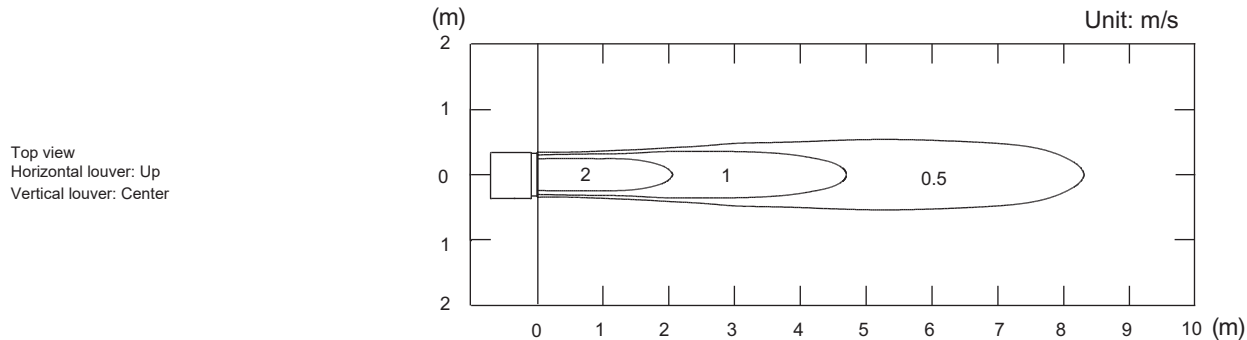


Model: ARXG09KLLAP

NOTE: This data is measured after installing optional Auto louver grille kit.

- Air velocity distribution

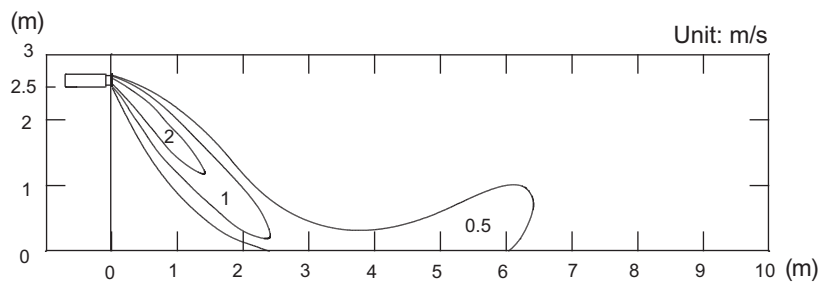
| | | |
|----------------------|-----------|----------------|
| Measuring conditions | Fan speed | Operation mode |
| | HIGH | FAN |



• Air velocity distribution

| | | |
|----------------------|-----------|----------------|
| Measuring conditions | Fan speed | Operation mode |
| | HIGH | HEAT |

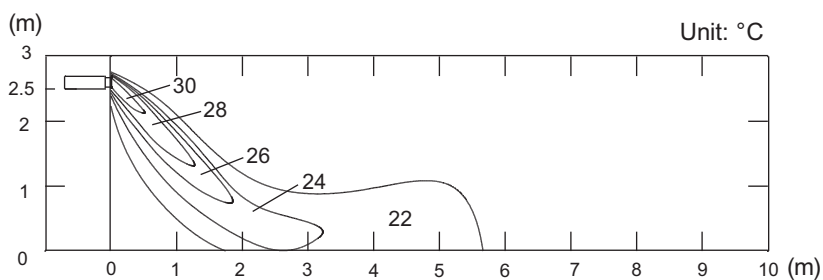
Side view
Horizontal louver: Down
Vertical louver: Center



• Air temperature distribution

| | | |
|----------------------|-----------|----------------|
| Measuring conditions | Fan speed | Operation mode |
| | HIGH | HEAT |

Side view
Horizontal louver: Down
Vertical louver: Center

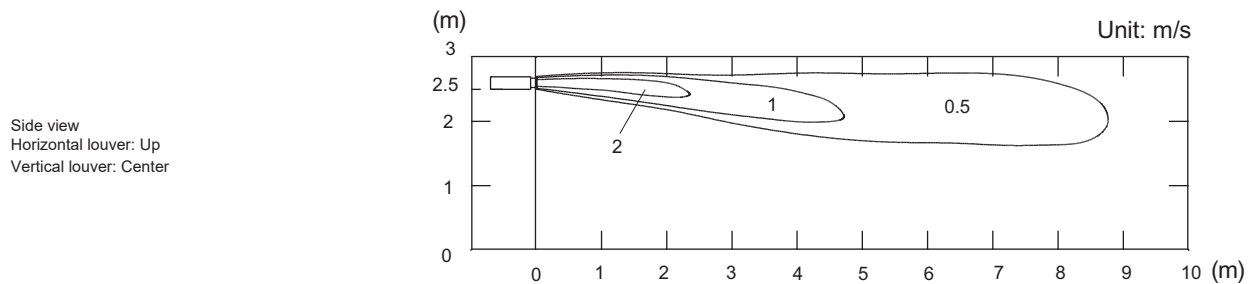
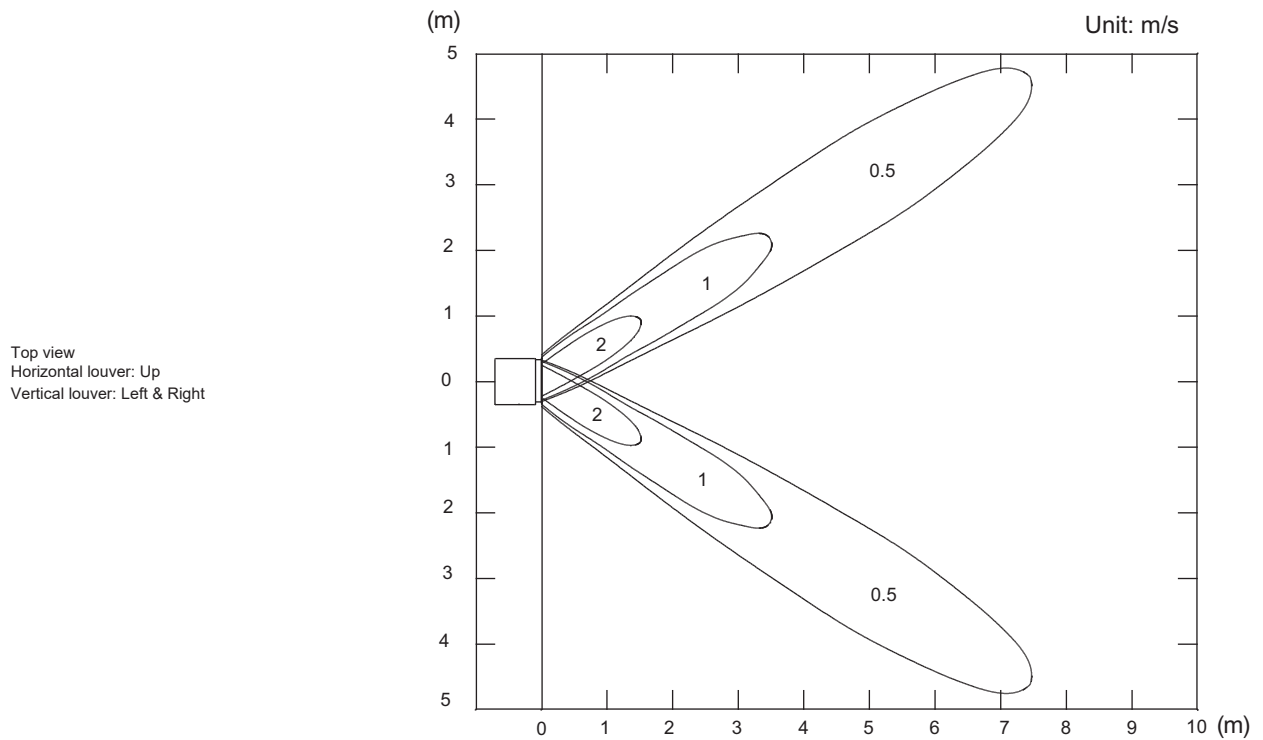
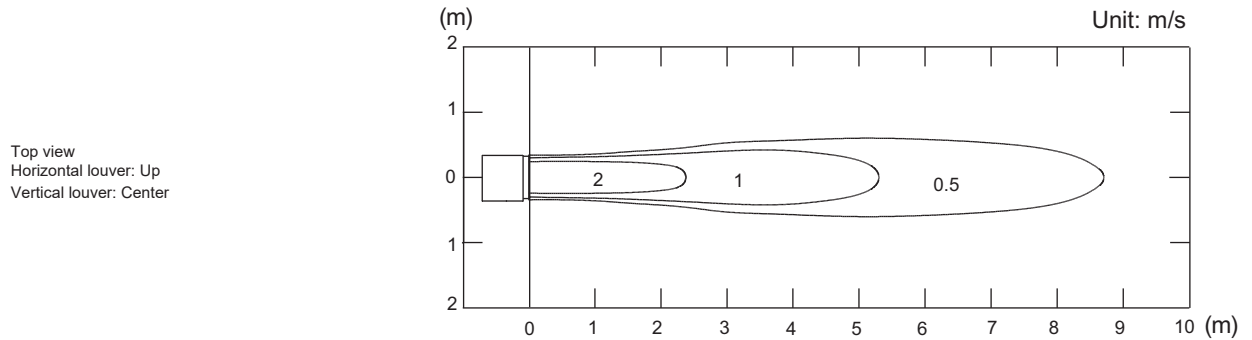


Model: ARXG12KLLAP

NOTE: This data is measured after installing optional Auto louver grille kit.

- Air velocity distribution

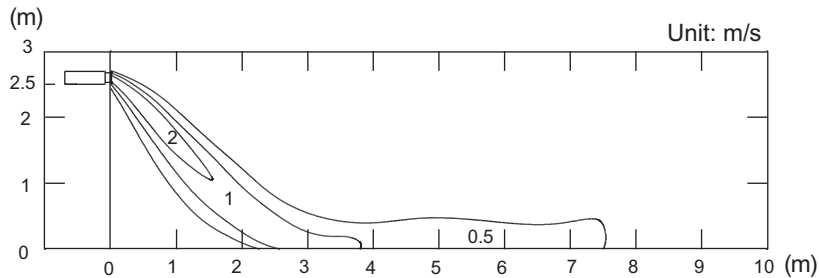
| | | |
|----------------------|-----------|----------------|
| Measuring conditions | Fan speed | Operation mode |
| | HIGH | FAN |



• Air velocity distribution

| | | |
|----------------------|-----------|----------------|
| Measuring conditions | Fan speed | Operation mode |
| | HIGH | HEAT |

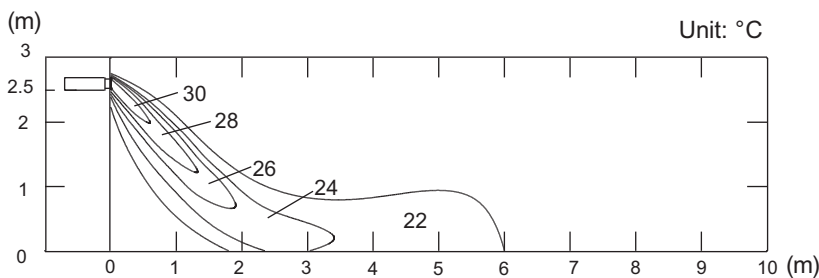
Side view
Horizontal louver: Down
Vertical louver: Center



• Air temperature distribution

| | | |
|----------------------|-----------|----------------|
| Measuring conditions | Fan speed | Operation mode |
| | HIGH | HEAT |

Side view
Horizontal louver: Down
Vertical louver: Center

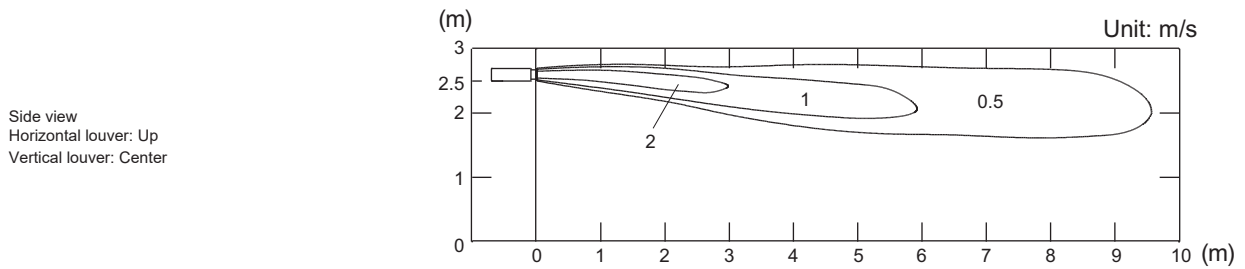
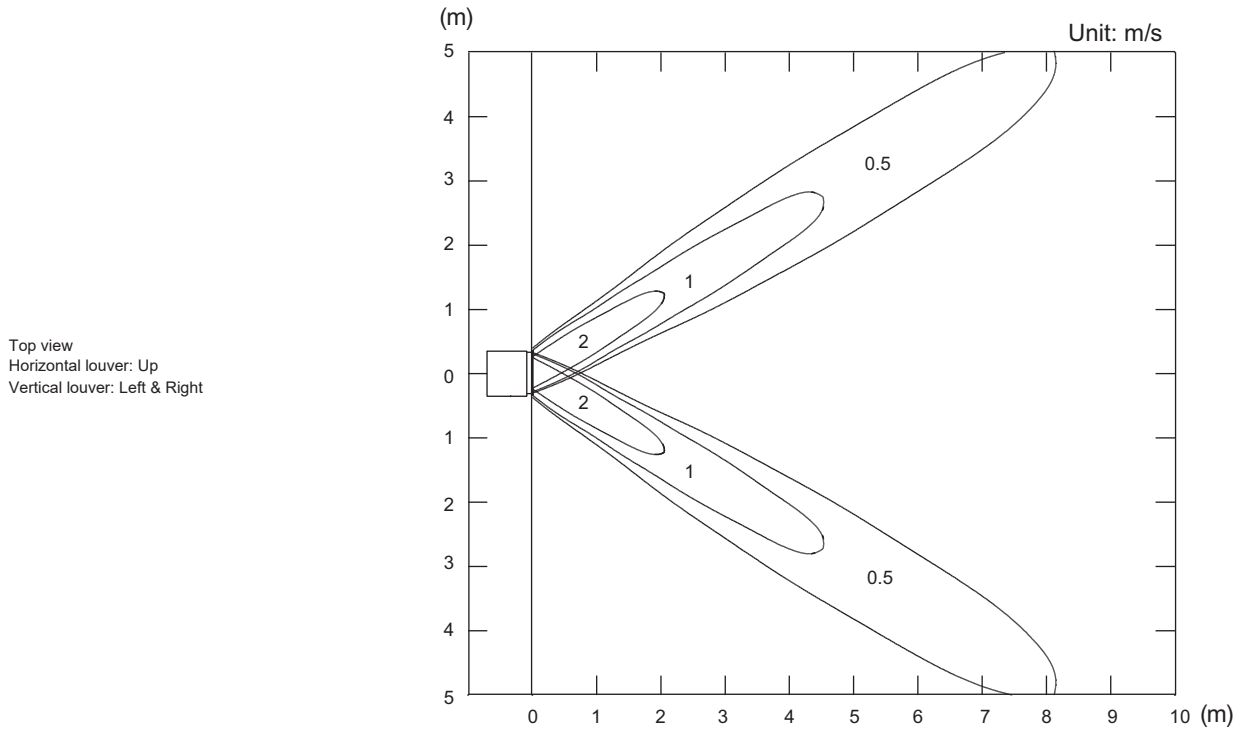
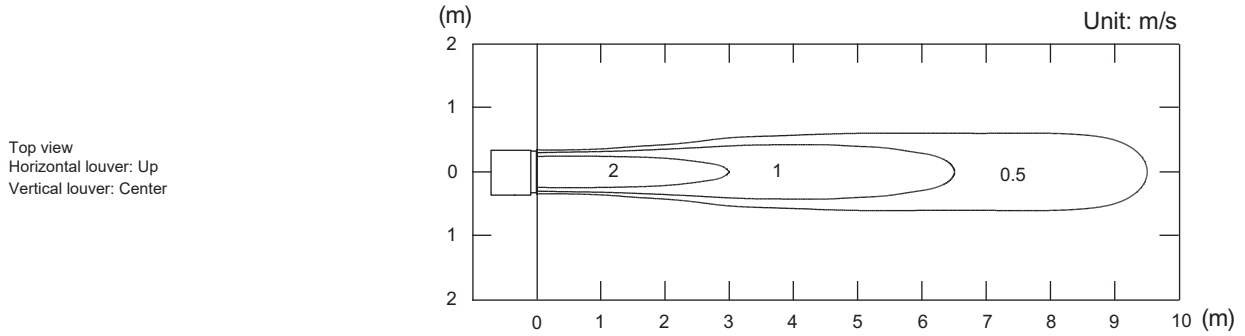


Model: ARXG14KLLAP

NOTE: This data is measured after installing optional Auto louver grille kit.

- Air velocity distribution

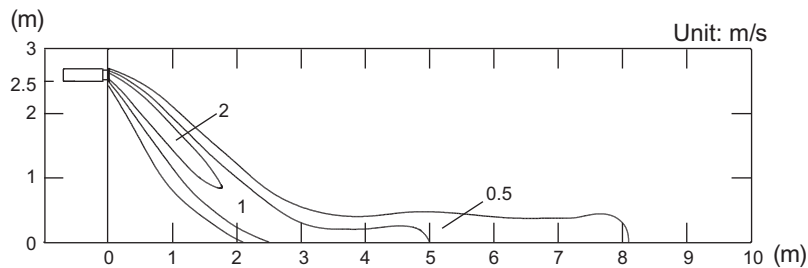
| | | |
|----------------------|-----------|----------------|
| Measuring conditions | Fan speed | Operation mode |
| | HIGH | FAN |



• Air velocity distribution

| | | |
|----------------------|-----------|----------------|
| Measuring conditions | Fan speed | Operation mode |
| | HIGH | HEAT |

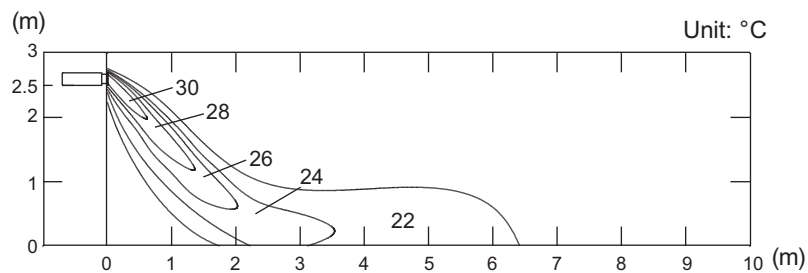
Side view
Horizontal louver: Down
Vertical louver: Center



• Air temperature distribution

| | | |
|----------------------|-----------|----------------|
| Measuring conditions | Fan speed | Operation mode |
| | HIGH | HEAT |

Side view
Horizontal louver: Down
Vertical louver: Center

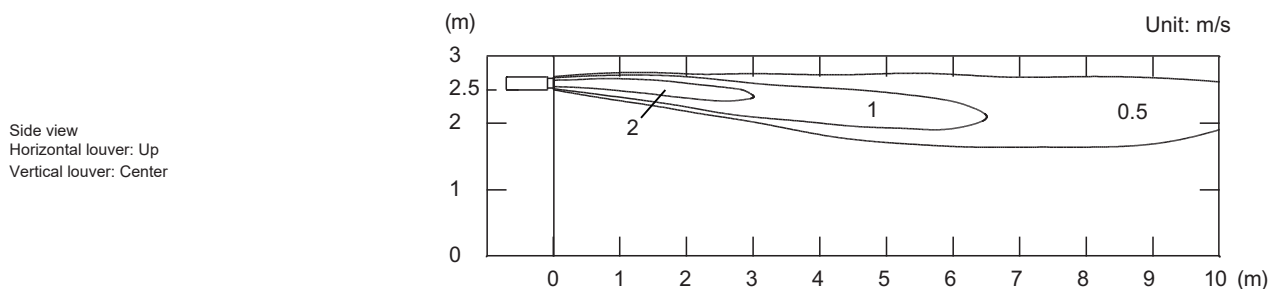
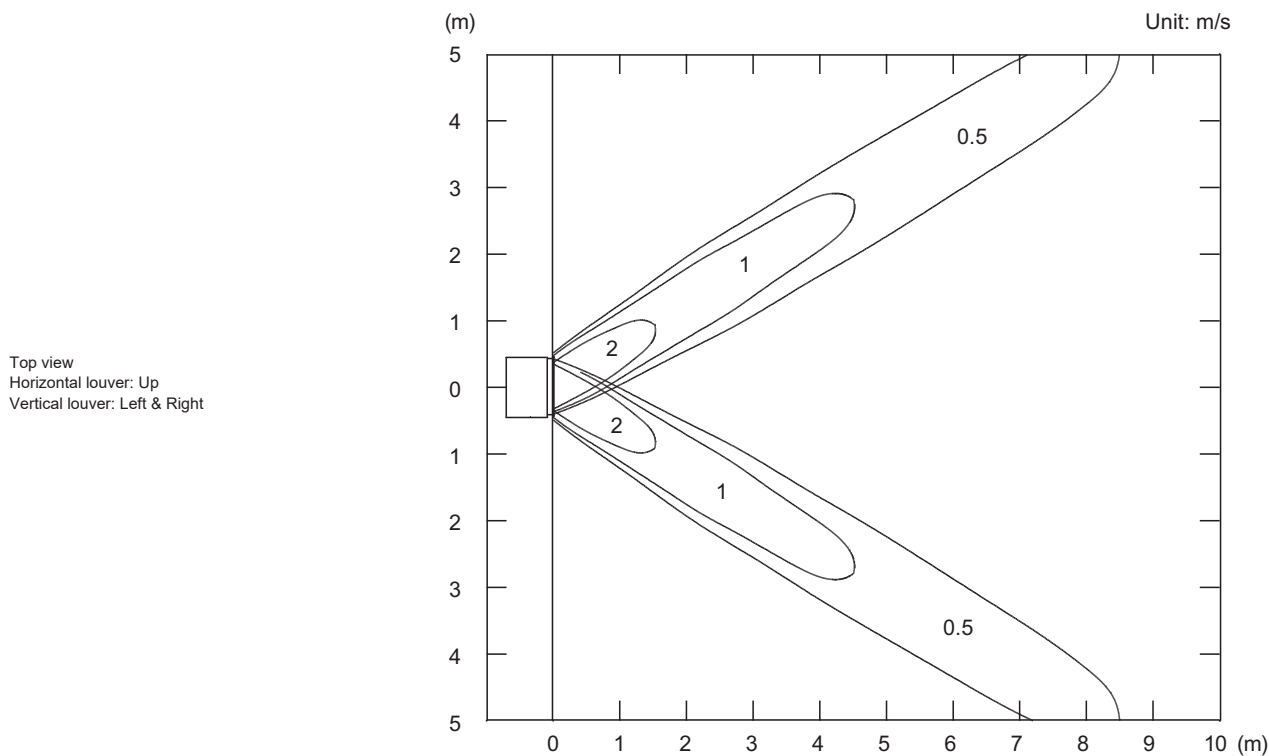
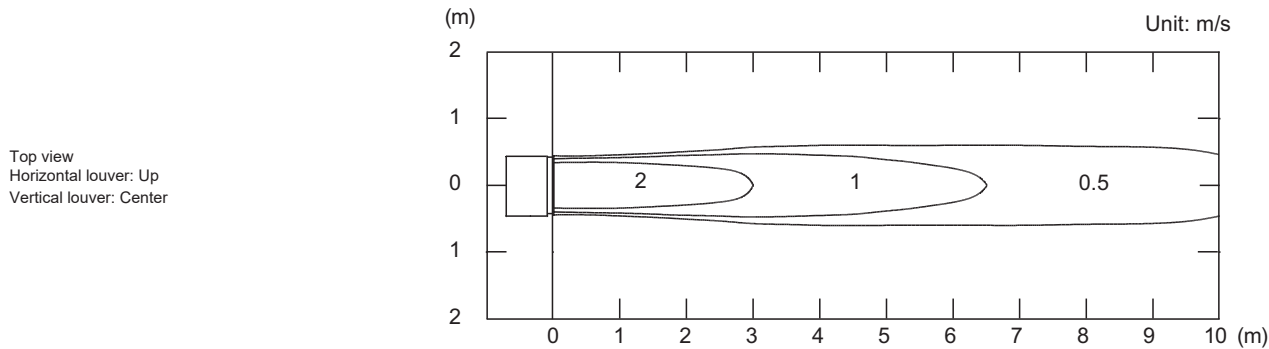


Model: ARXG18KLLAP

NOTE: This data is measured after installing optional Auto Louver Grille Kit.

| | | |
|----------------------|-----------|----------------|
| Measuring conditions | Fan speed | Operation mode |
| | HIGH | FAN |

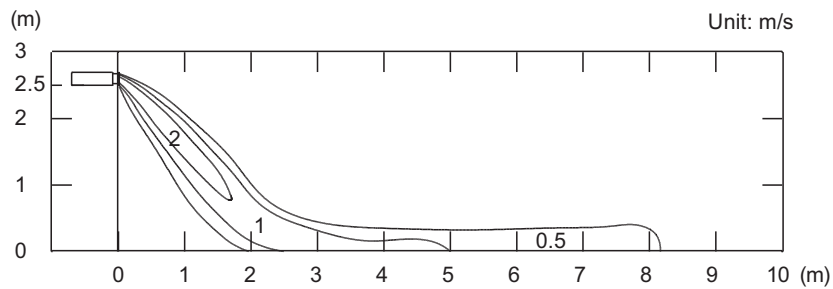
- Air velocity distribution



| | | |
|----------------------|-----------|----------------|
| Measuring conditions | Fan speed | Operation mode |
| | HIGH | HEAT |

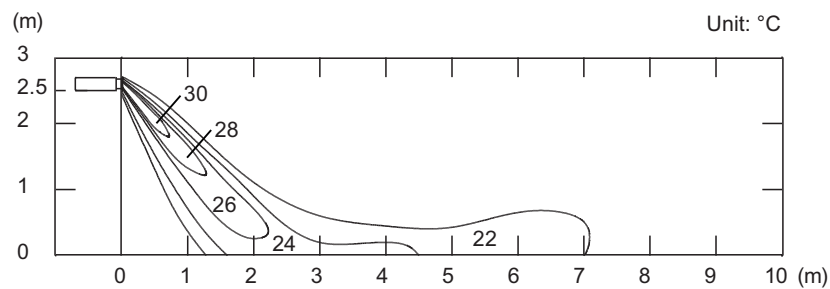
• Air velocity distribution

Side view
Horizontal louver: Down
Vertical louver: Center



• Air temperature distribution

Side view
Horizontal louver: Down
Vertical louver: Center

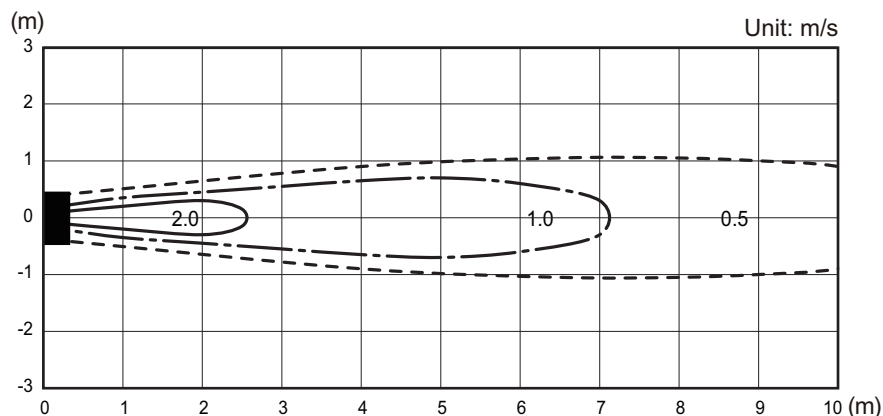


6-4. Wall mounted type

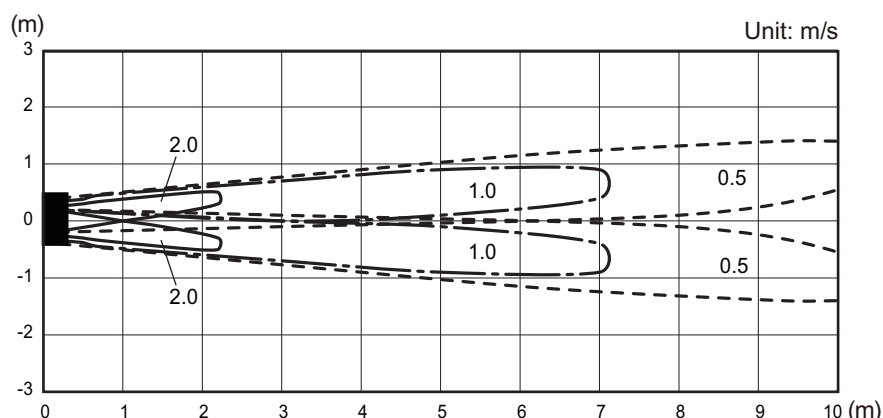
■ **Models: ASYG07-09KGTB, ASYG07-09KGTE, ASYG07-09KGTF, ASYG07-12KMTB, ASYG07-12KMCC, ASYG07-12KMCE, ASYG07-12KMCF, ASYG07-12KETA, ASYG07-12KETA-B, ASYG07-12KETE, ASYG07-12KETE-B, ASYG07-12KETF, and ASYG07-12KETF-B**

| | | |
|----------------------|-----------|----------------|
| Measuring conditions | Fan speed | Operation mode |
| | HIGH | FAN |

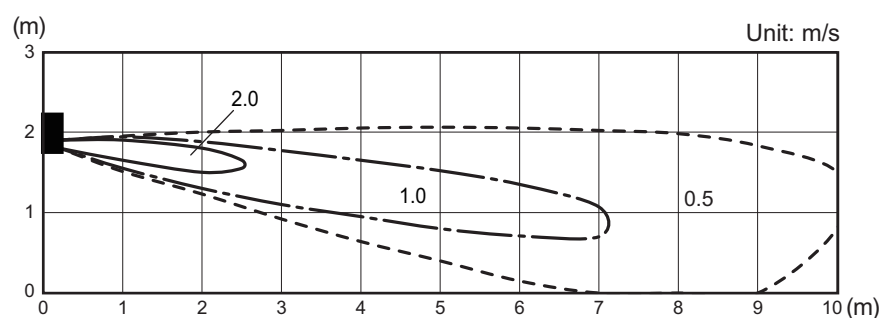
Top view
Horizontal louver: Up
Vertical louver: Center



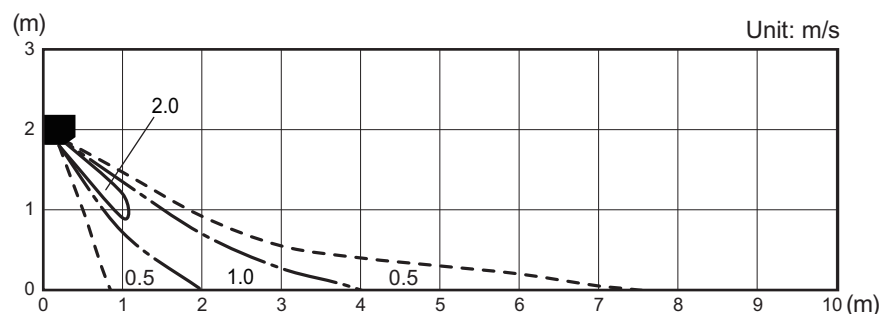
Top view
Horizontal louver: Up
Vertical louver: Left & Right



Side view
Horizontal louver: Up
Vertical louver: Center



Side view
Horizontal louver: Down
Vertical louver: Center



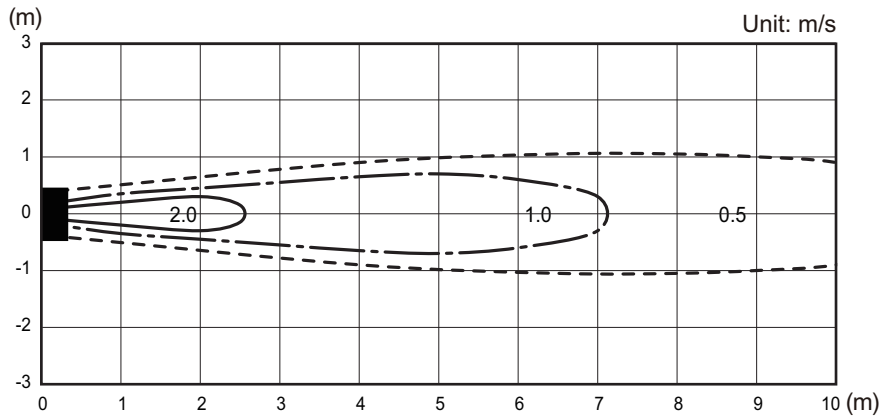
Models: ASYG18-24KMTB and ASYG18-24KMTE

4-5 UNIT
MULTI-SPLIT TYPE

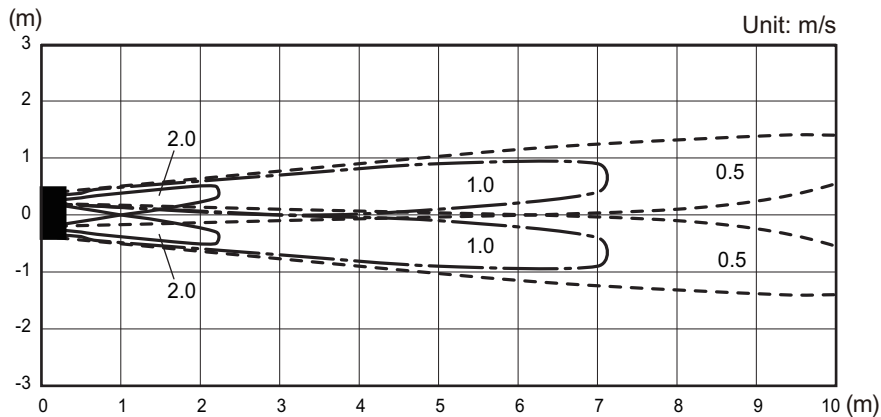
4-5 UNIT
MULTI-SPLIT TYPE

| | | |
|----------------------|-----------|----------------|
| Measuring conditions | Fan speed | Operation mode |
| | HIGH | FAN |

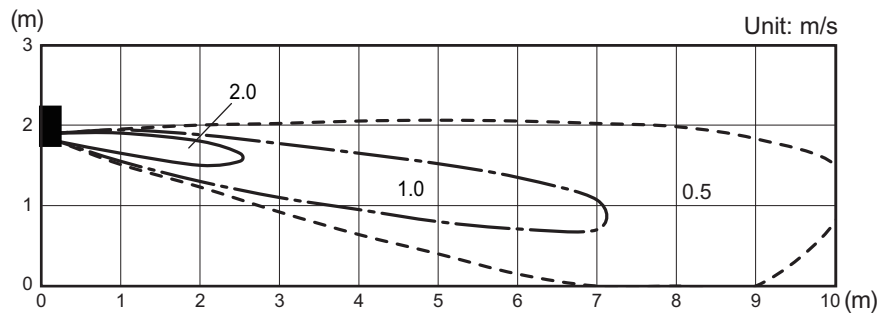
Top view
Horizontal louver: Up
Vertical louver: Center



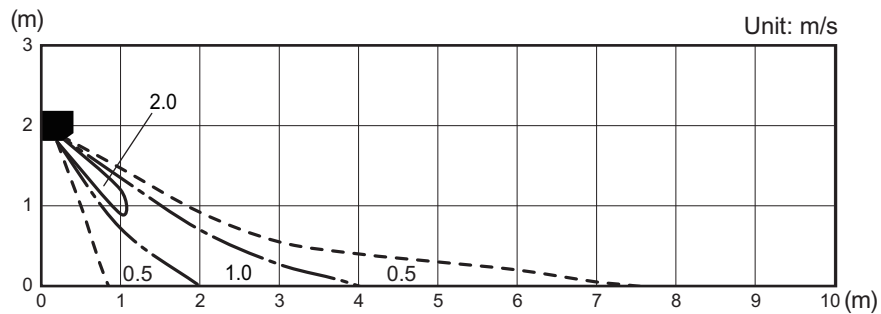
Top view
Horizontal louver: Up
Vertical louver: Left & Right



Side view
Horizontal louver: Up
Vertical louver: Center

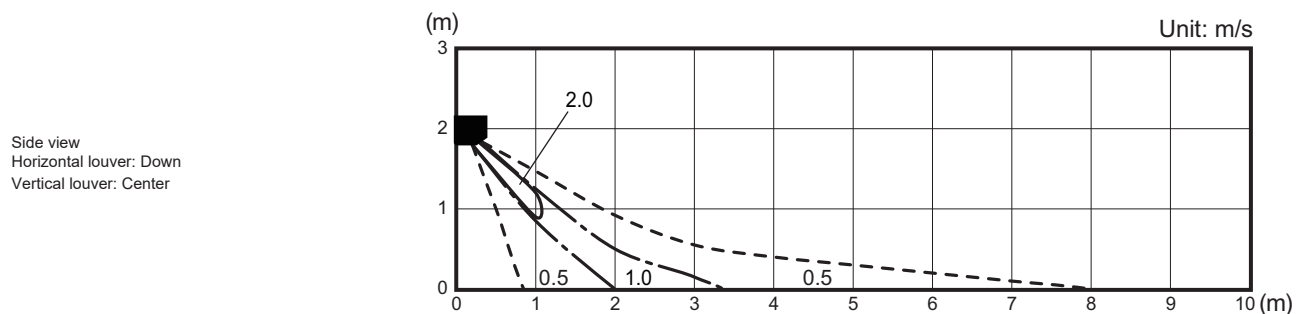
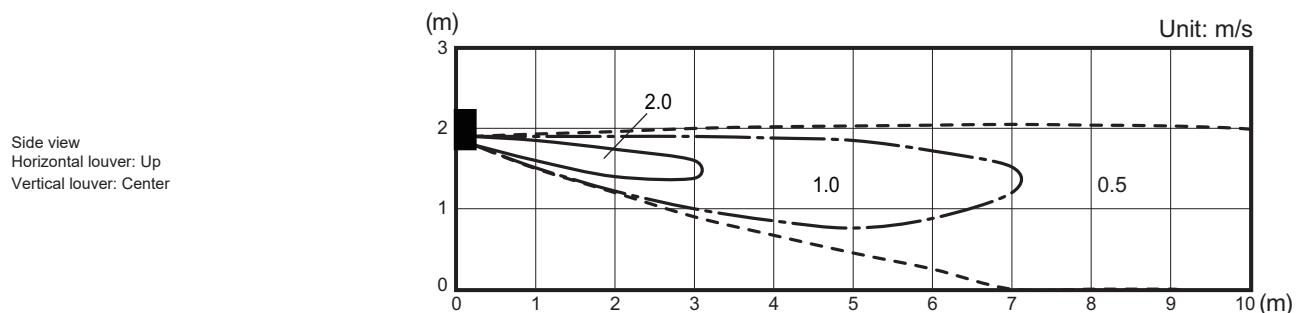
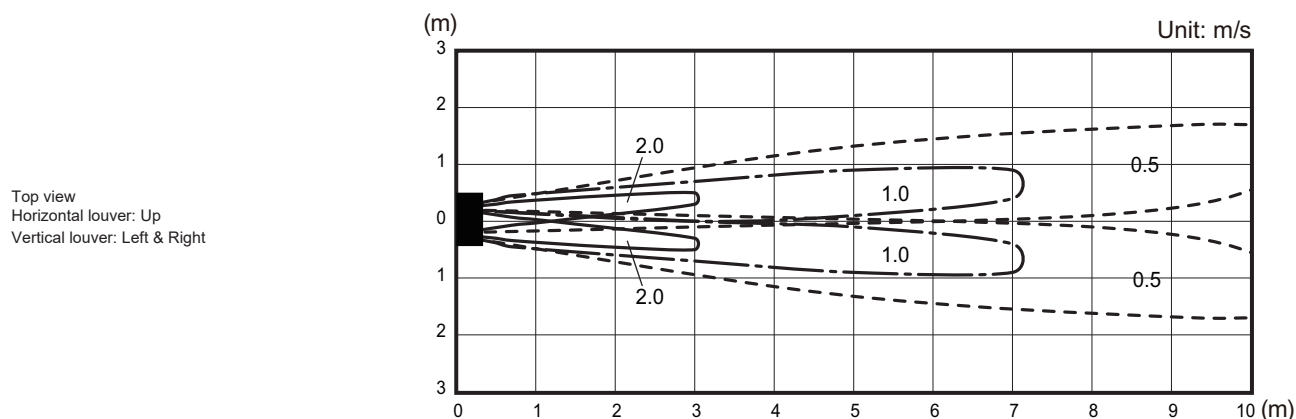
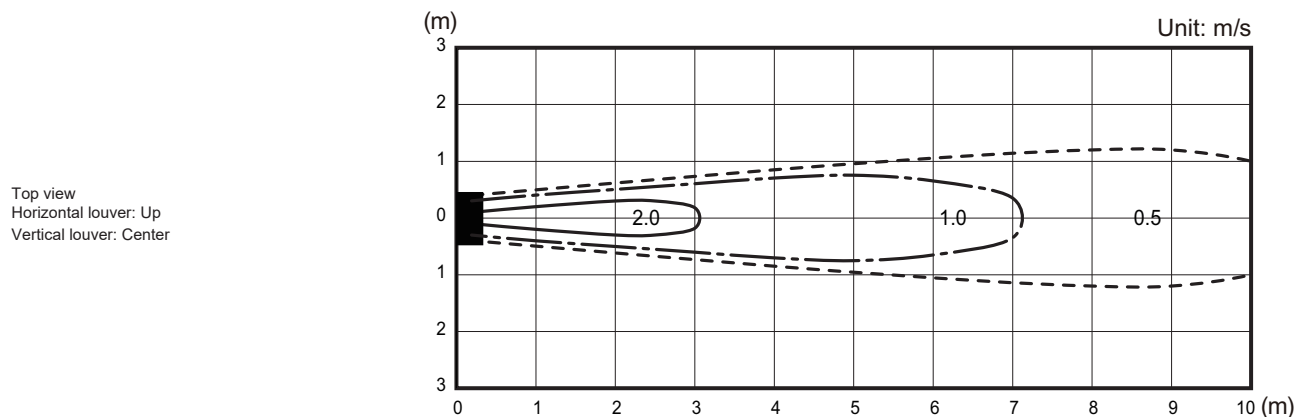


Side view
Horizontal louver: Down
Vertical louver: Center



■ Models: ASYG12-14KGTB, ASYG12-14KGTE, ASYG12-14KGTF, ASYG14KMTB, ASYG14KMCC, ASYG14KMCE, ASYG14KMCF, ASYG14KETA, ASYG14KETA-B, ASYG14KETE, ASYG14KETE-B, ASYG14KETF, and ASYG14KETF-B

| | | |
|----------------------|-----------|----------------|
| Measuring conditions | Fan speed | Operation mode |
| | HIGH | FAN |

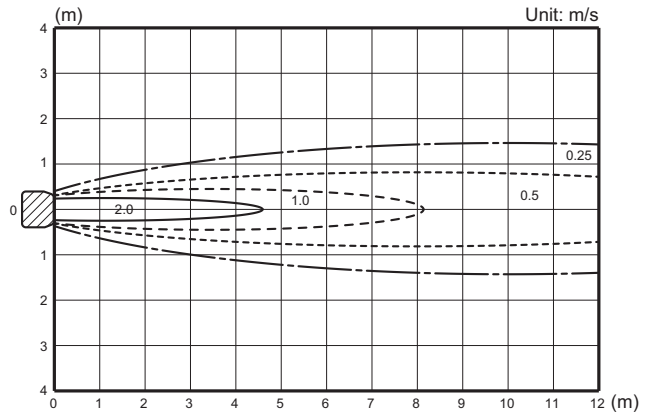


6-5. Ceiling type

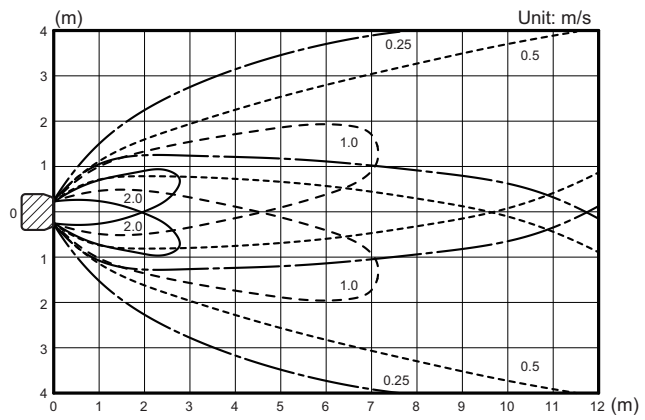
Model: ABYG18KRTA

| | | |
|----------------------|-----------|----------------|
| Measuring conditions | Fan speed | Operation mode |
| | HIGH | FAN |

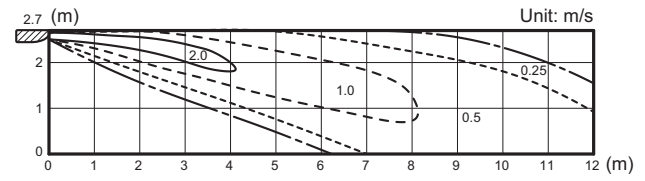
Top view
Horizontal louver: Up
Vertical louver: Center



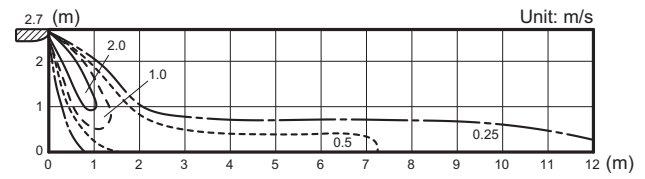
Top view
Horizontal louver: Up
Vertical louver: Left & Right



Side view
Horizontal louver: Up
Vertical louver: Center



Side view
Horizontal louver: Down
Vertical louver: Center



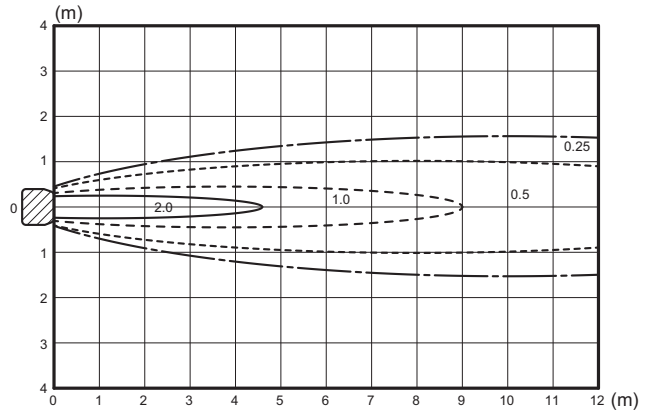
Model: ABYG22KRTA

4-5 UNIT
MULTI-SPLIT TYPE

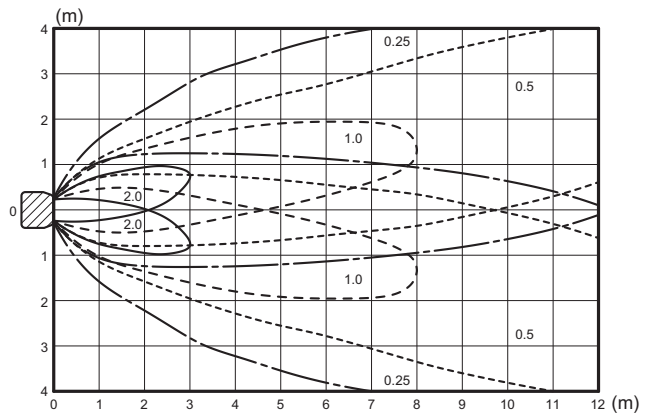
4-5 UNIT
MULTI-SPLIT TYPE

| | | |
|----------------------|-----------|----------------|
| Measuring conditions | Fan speed | Operation mode |
| | HIGH | FAN |

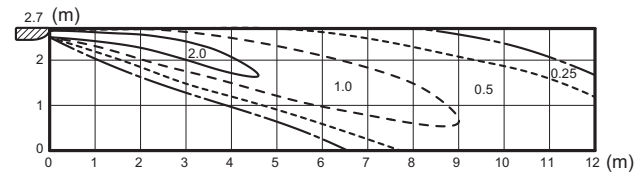
Top view
Horizontal louver: Up
Vertical louver: Center



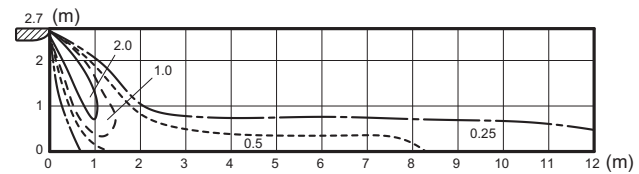
Top view
Horizontal louver: Up
Vertical louver: Left & Right



Side view
Horizontal louver: Up
Vertical louver: Center



Side view
Horizontal louver: Down
Vertical louver: Center

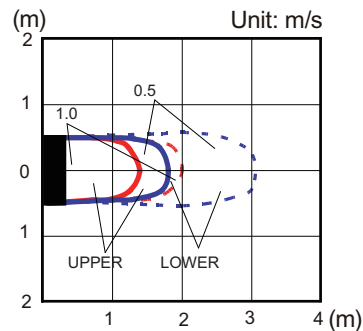


6-6. Floor type

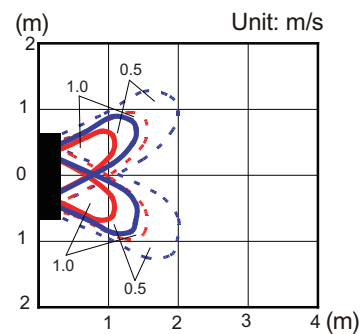
Models: AGYG09-14KVCA

| | | | |
|----------------------|-----------|----------------|-----------------|
| Measuring conditions | Fan speed | Operation mode | Fan select |
| | HIGH | FAN | Upper and lower |

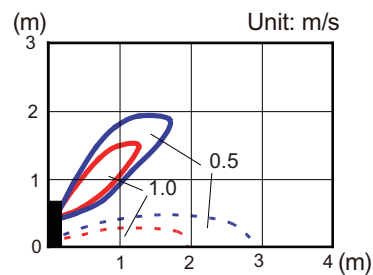
Top view
Horizontal louver: Up
Vertical louver: Center



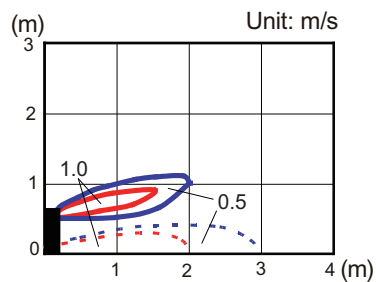
Top view
Horizontal louver: Up
Vertical louver: Left & Right



Side view
Horizontal louver: Up
Vertical louver: Center



Side view
Horizontal louver: Down
Vertical louver: Center

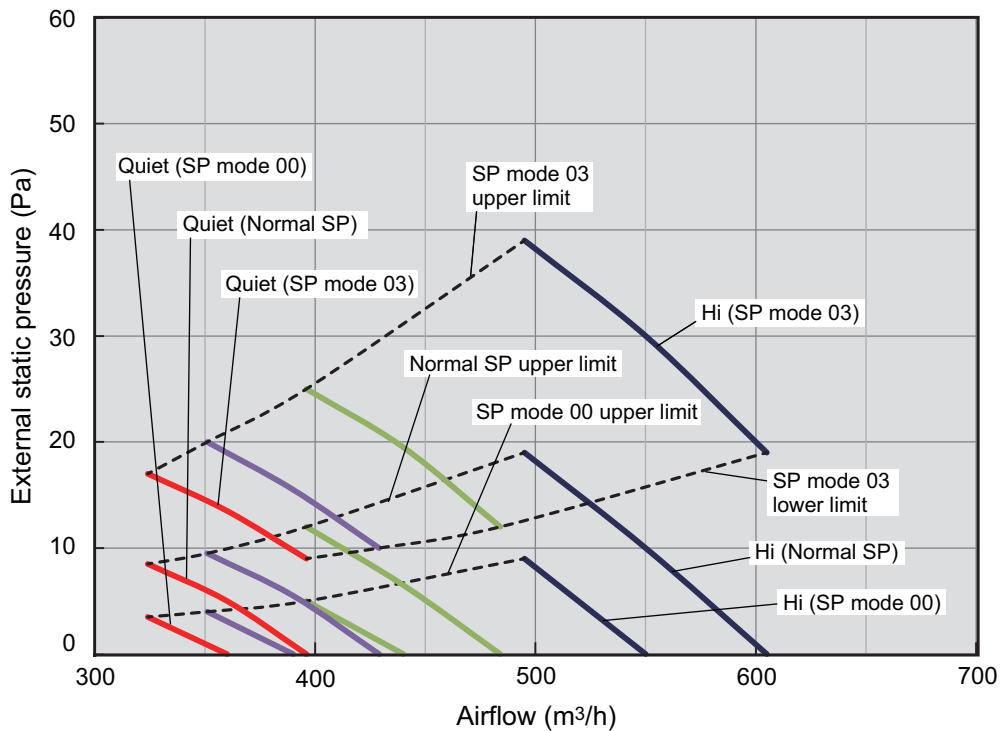


7. Fan performance

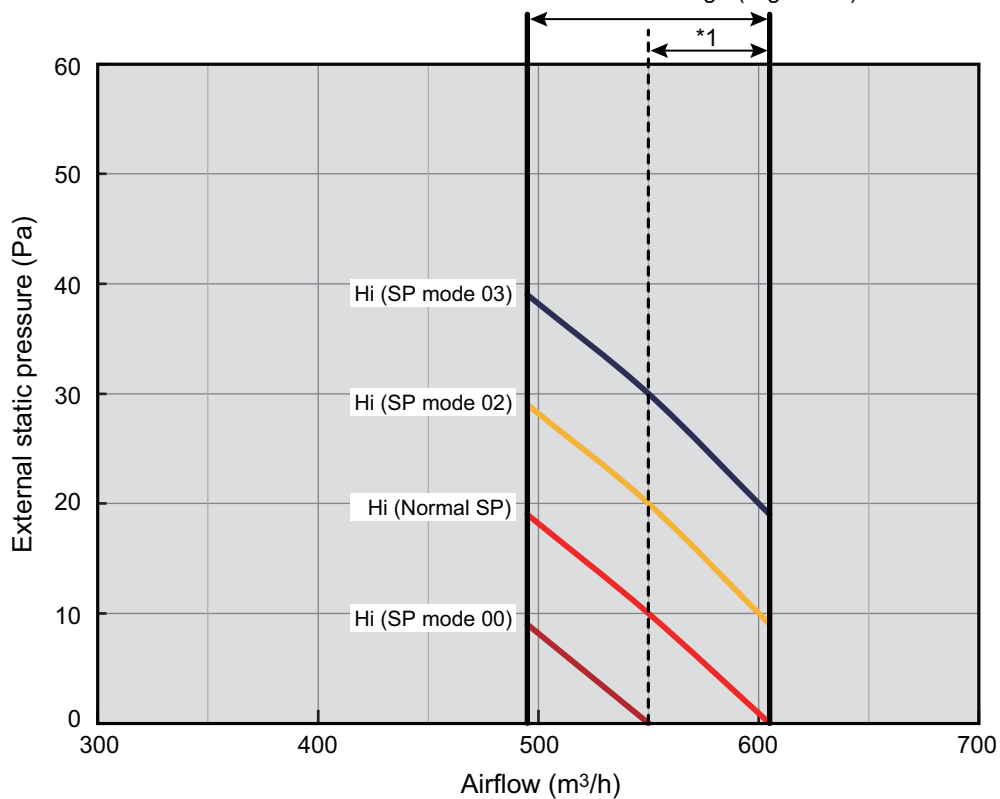
NOTE: Airflow and capacity/outlet temperature curve data are measured based on the same conditions mentioned in "Specifications".

7-1. Mini duct type

Model: ARXG07KSLAP



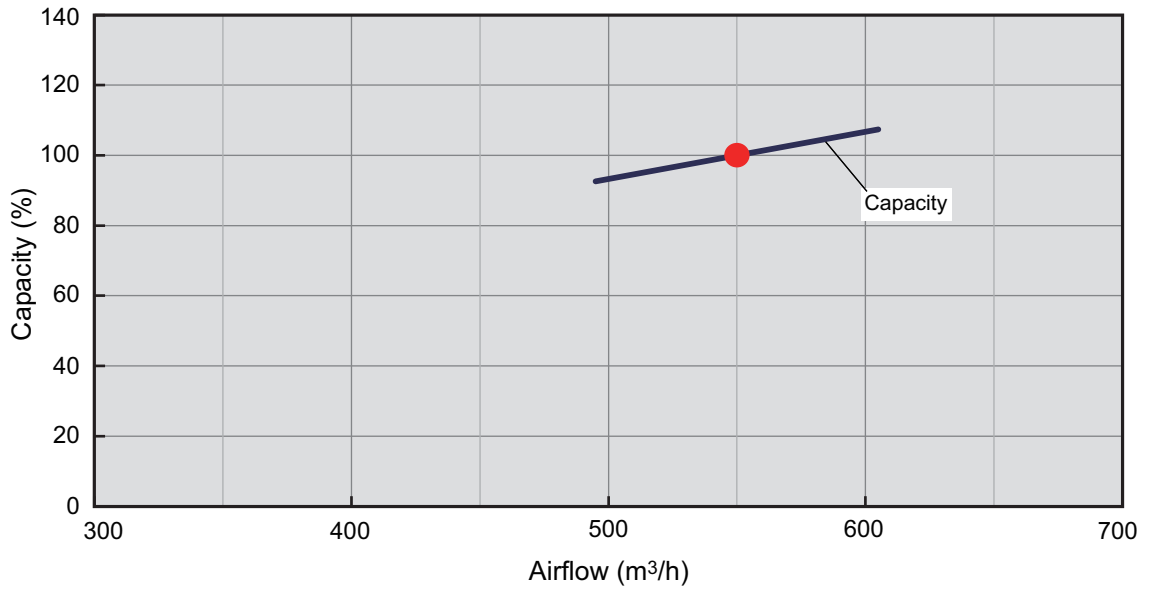
Available airflow rate range (High level)



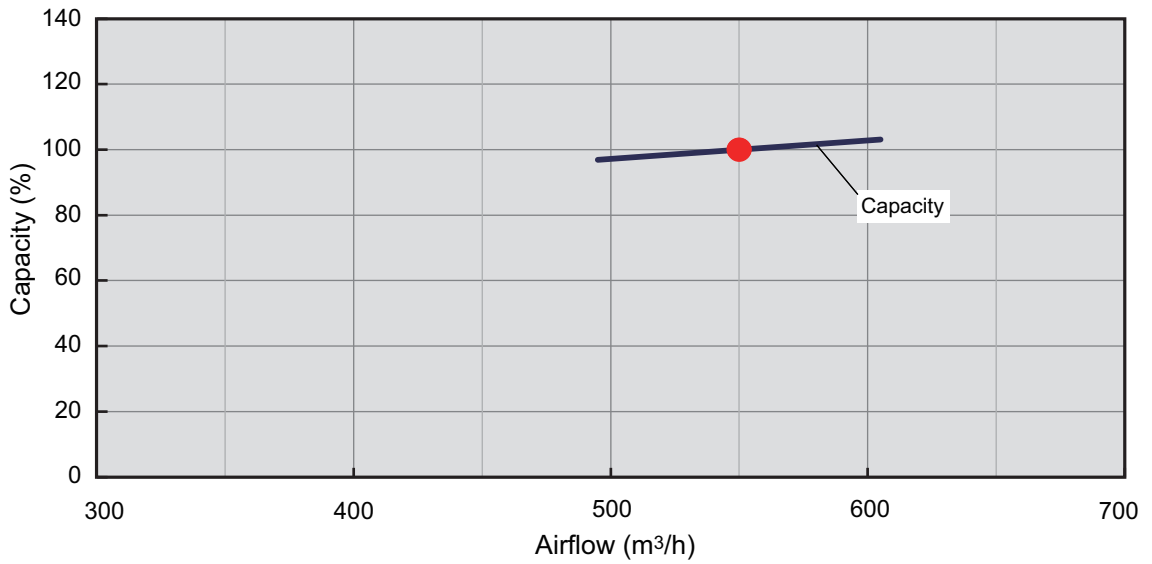
*1: Available airflow rate range when Auto louver grille (option) is installed.
Fan speed: HIGH
Vertical airflow direction louver: Up

● Characteristics of air volume and capacity

• Cooling



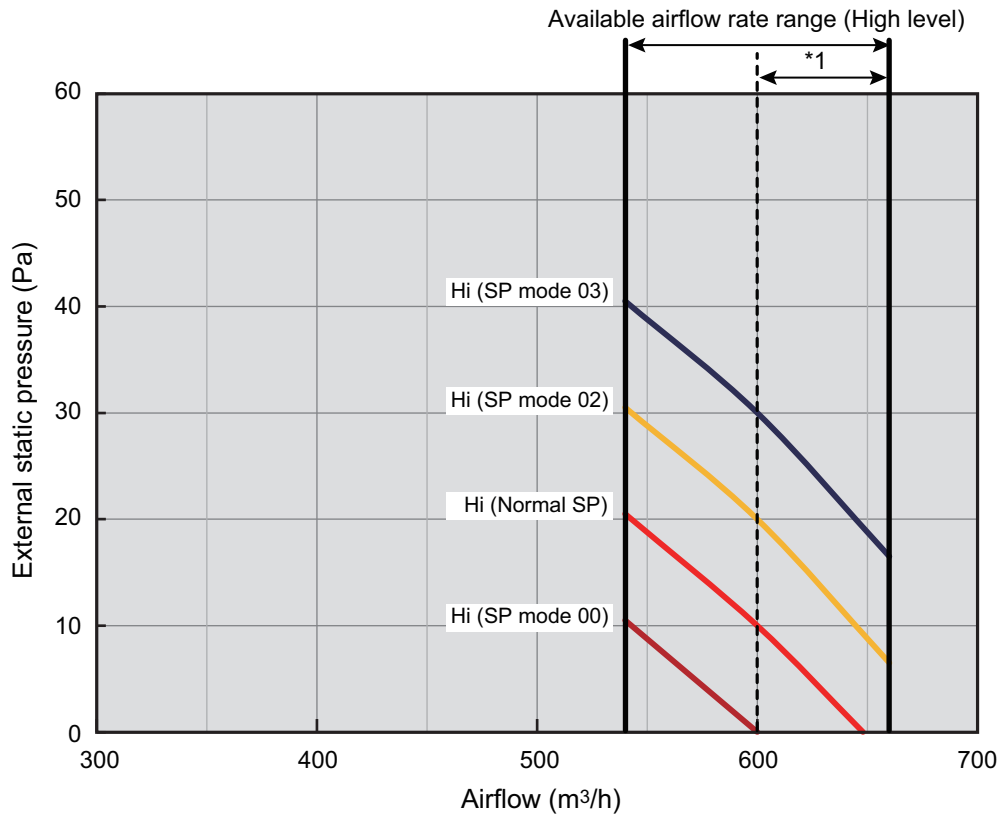
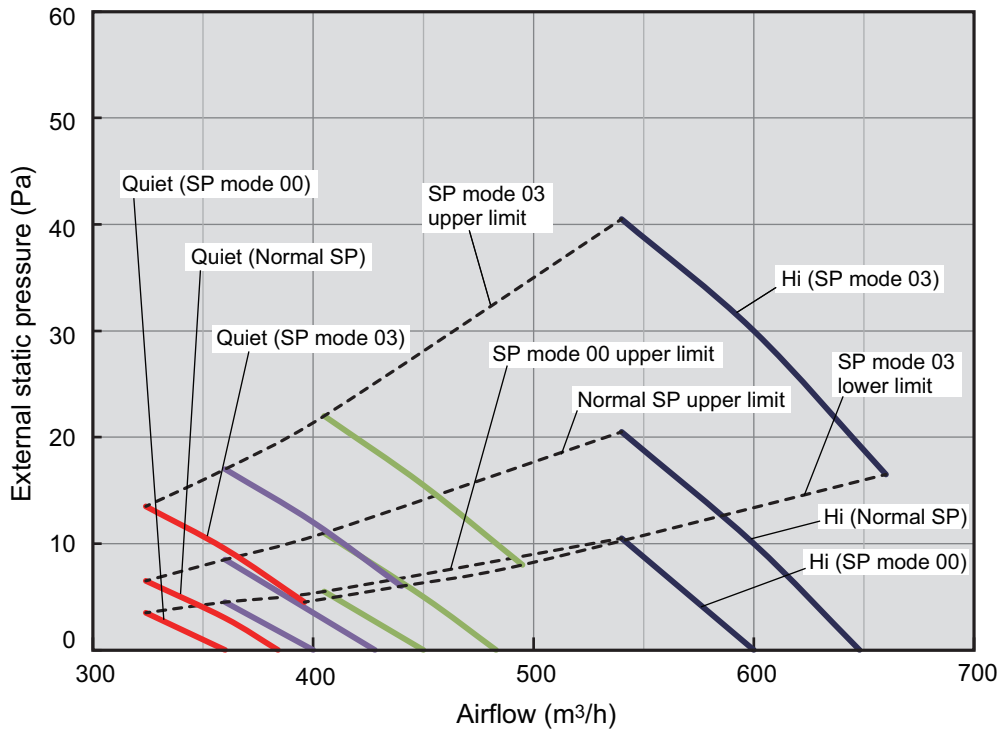
• Heating



Model: ARXG09KSLAP

4-5 UNIT
MULTI-SPLIT TYPE

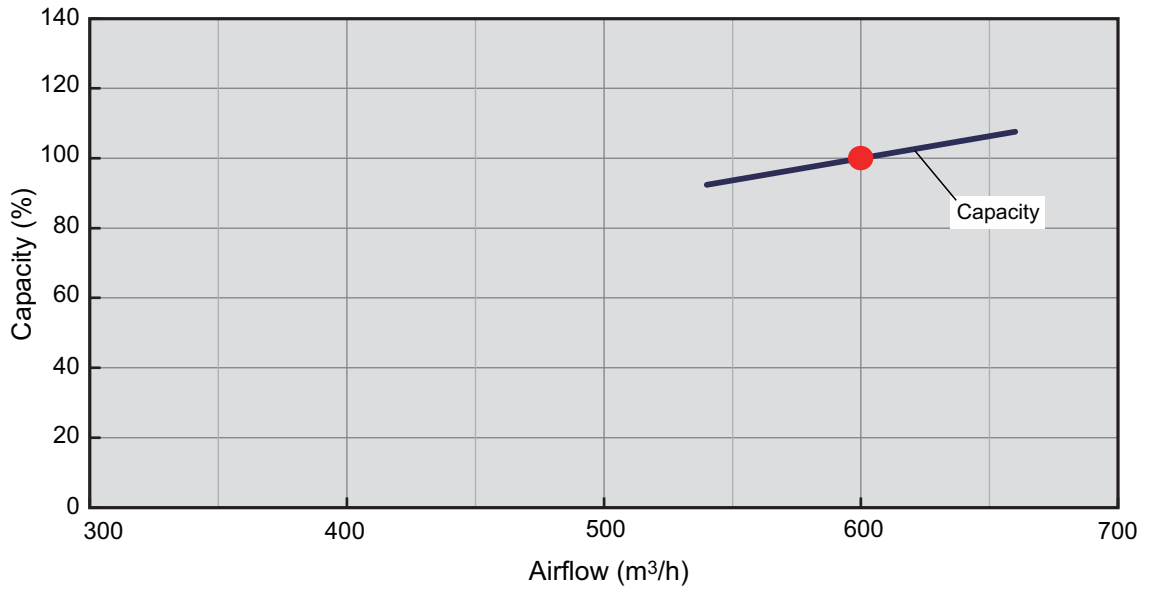
4-5 UNIT
MULTI-SPLIT TYPE



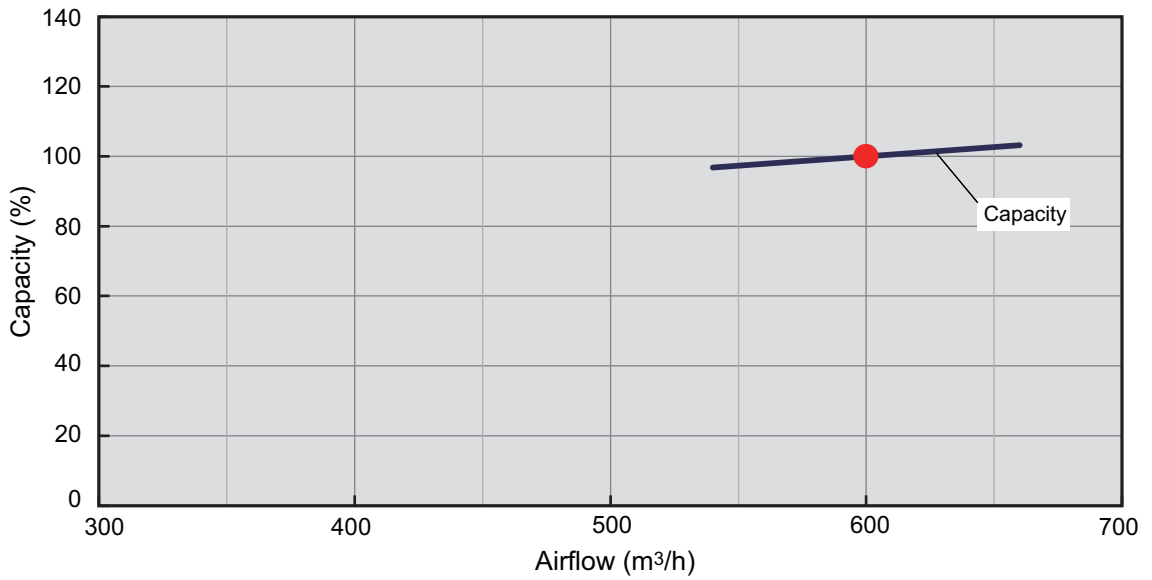
*1: Available airflow rate range when Auto louver grille (option) is installed.
 Fan speed: HIGH
 Vertical airflow direction louver: Up

● Characteristics of air volume and capacity

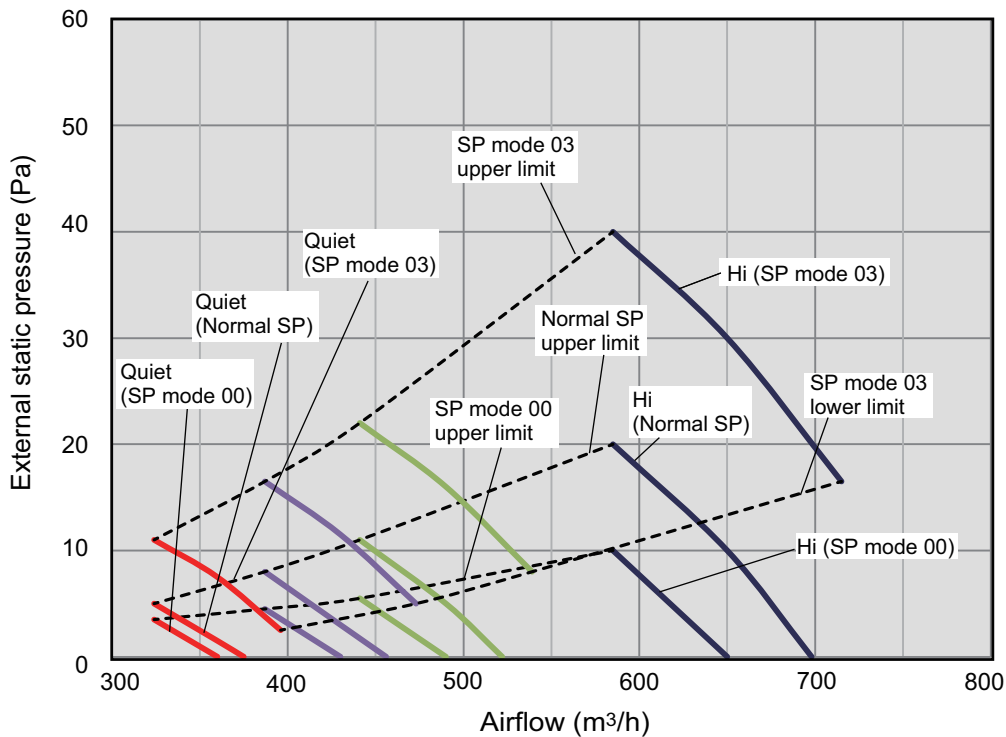
• Cooling



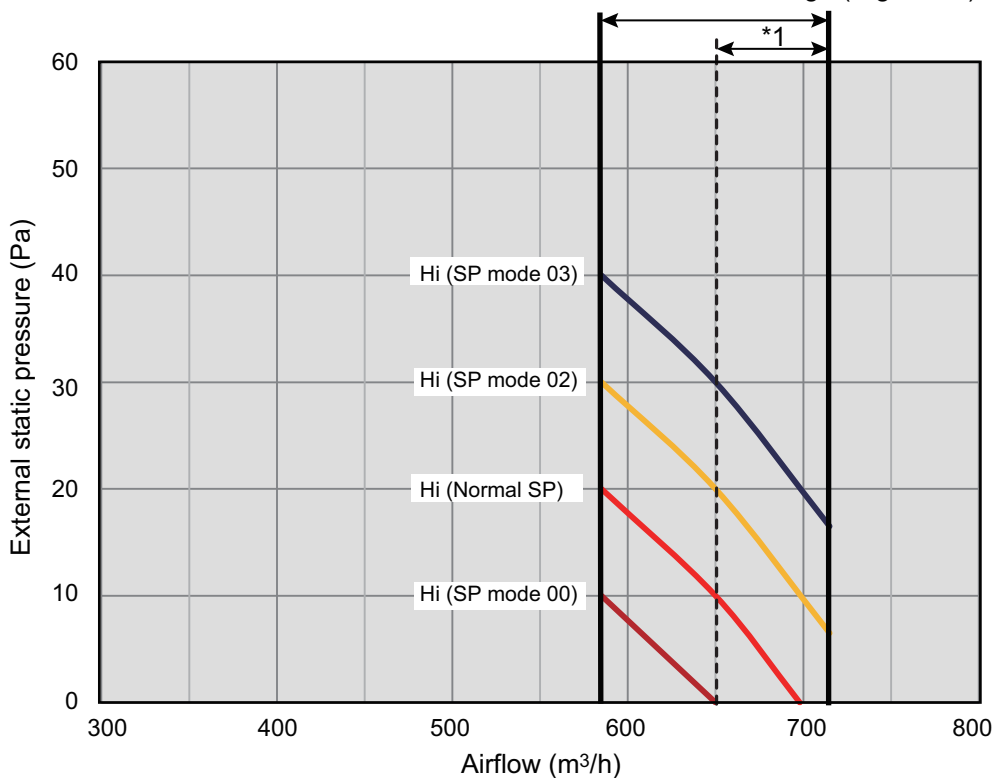
• Heating



Model: ARXG12KSLAP



Available airflow rate range (High level)



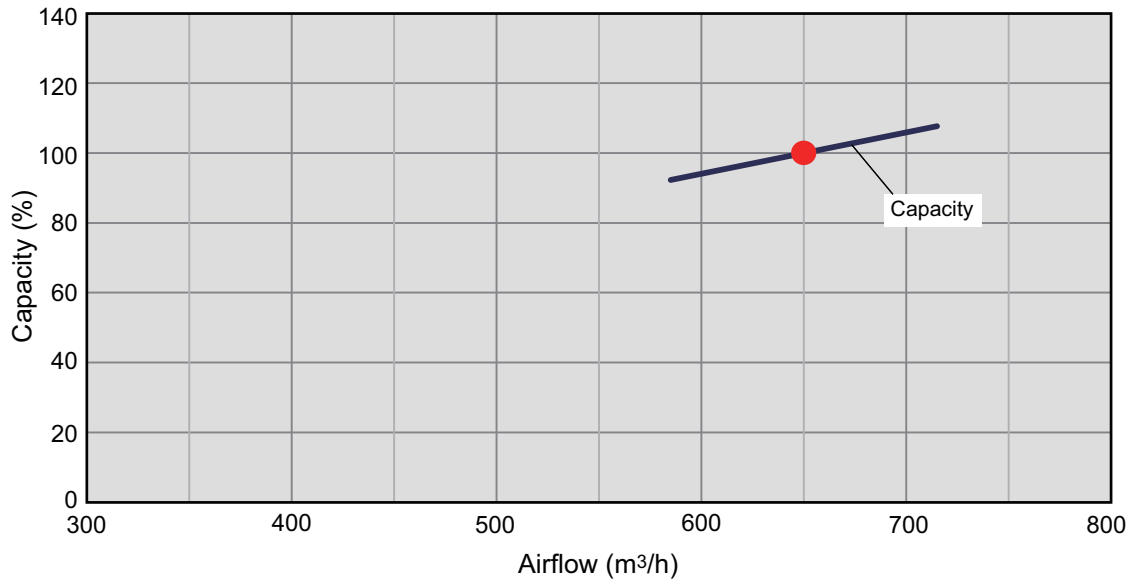
*1: Available airflow rate range when Auto louver grille (option) is installed.

Fan speed: HIGH

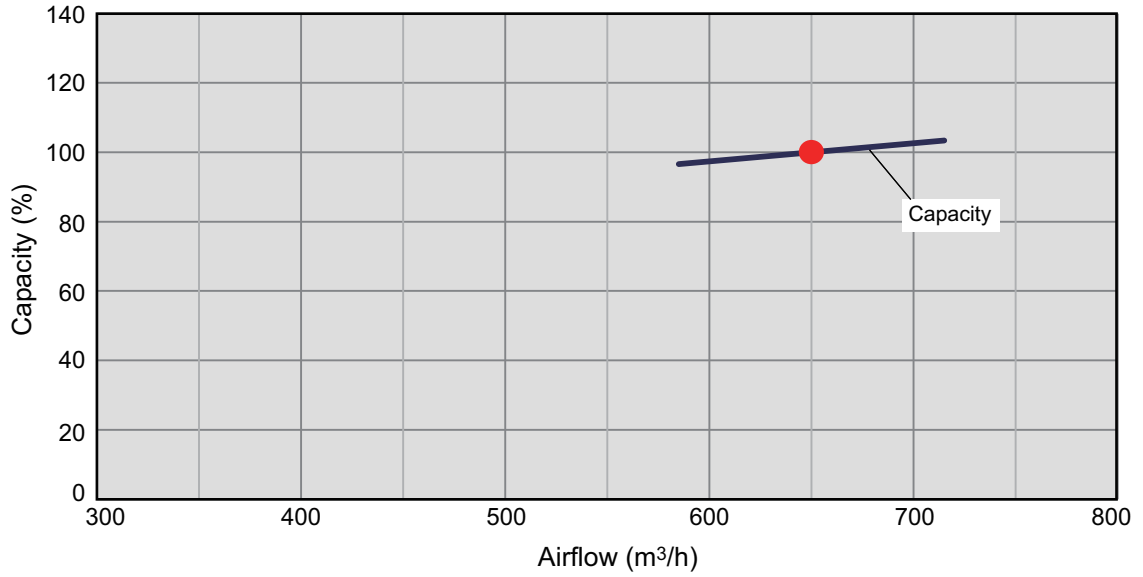
Vertical airflow direction louver: Up

● Characteristics of air volume and capacity

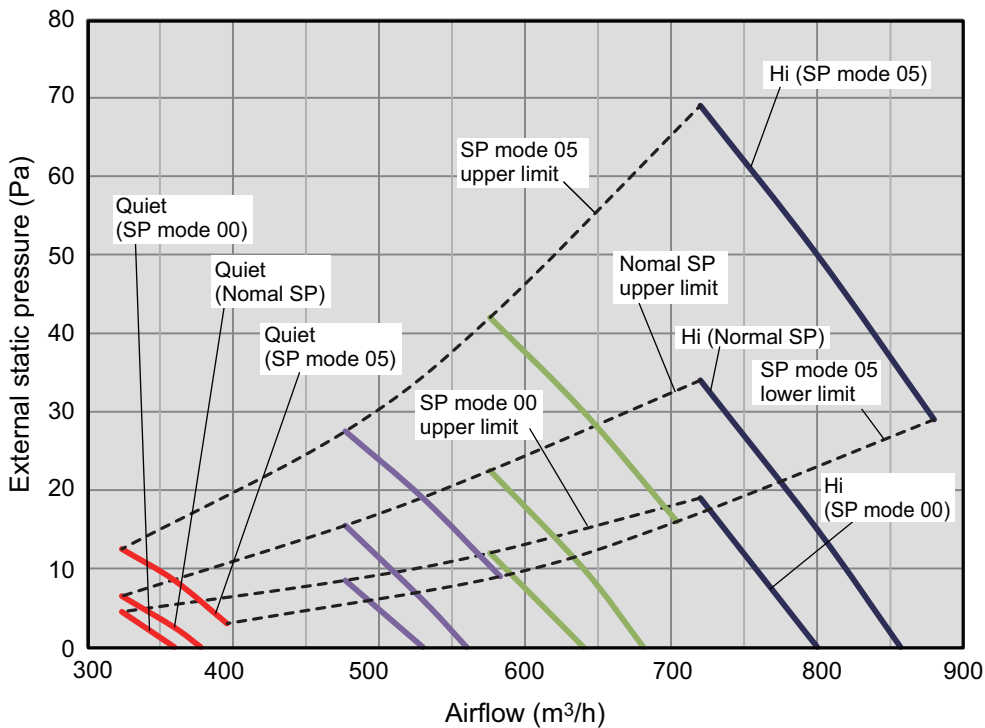
• Cooling



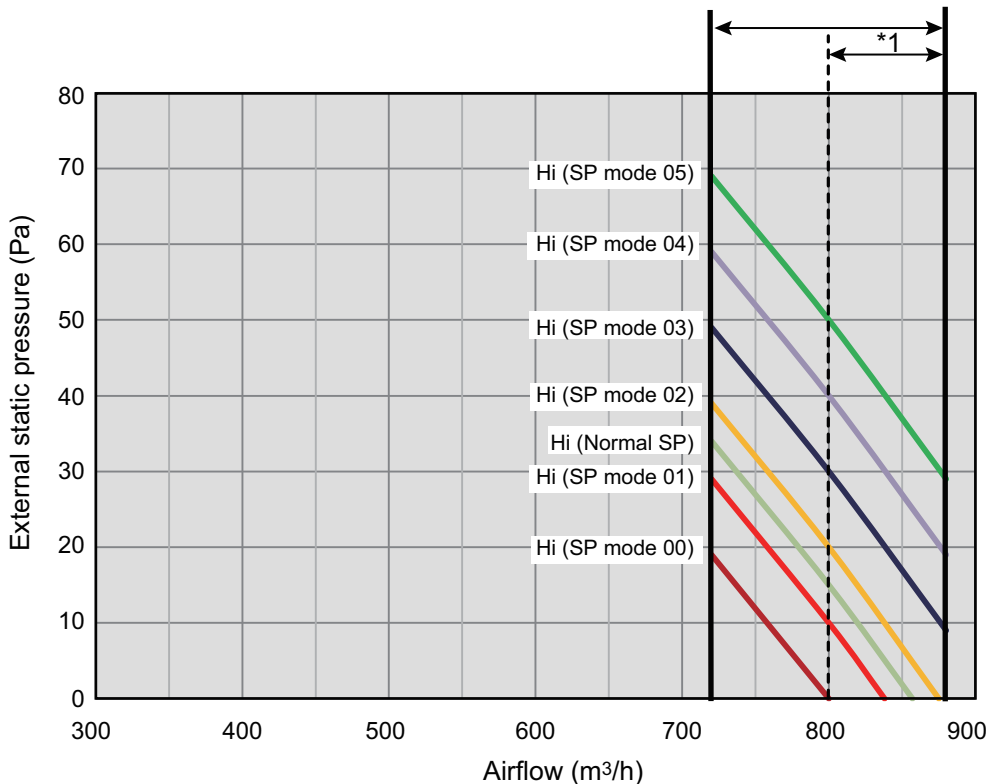
• Heating



Model: ARXG14KSLAP



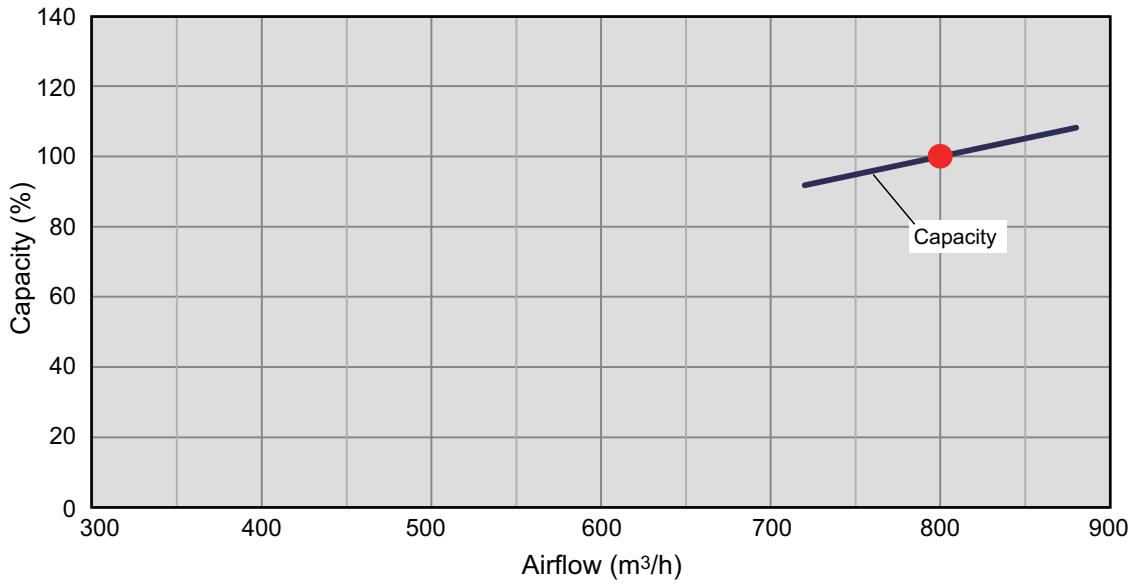
Available airflow rate range (High level)



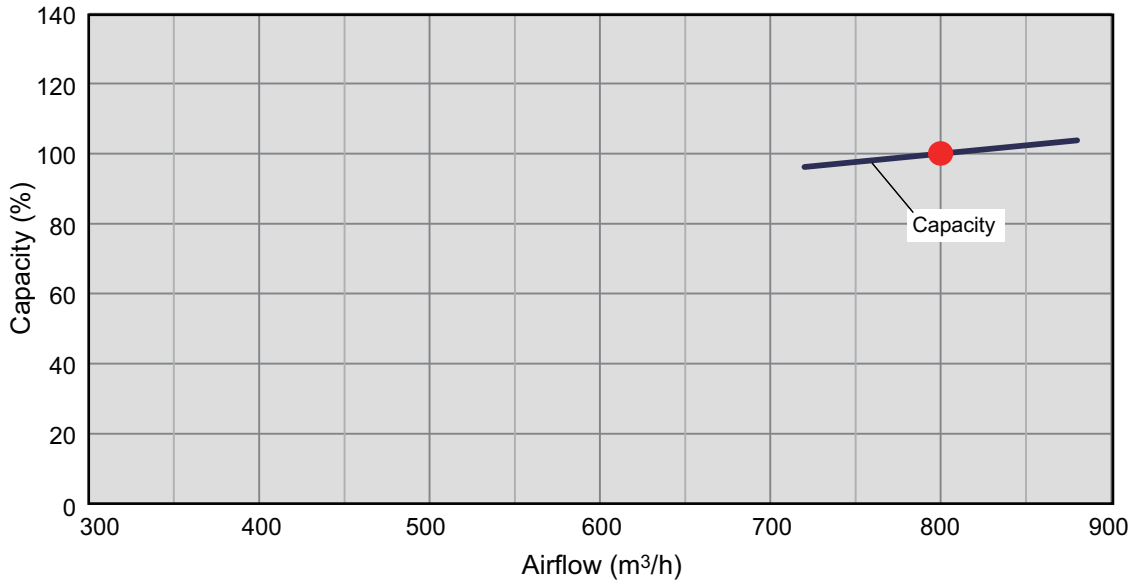
*1: Available airflow rate range when Auto louver grille (option) is installed.
 Fan speed: HIGH
 Vertical airflow direction louver: Up

● Characteristics of air volume and capacity

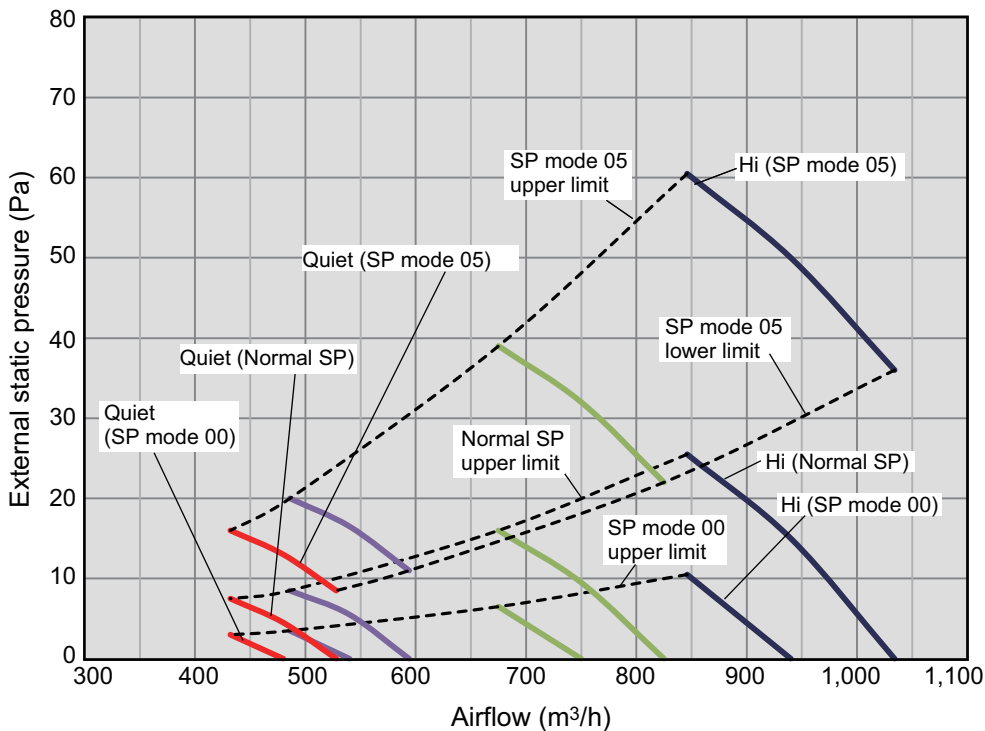
• Cooling



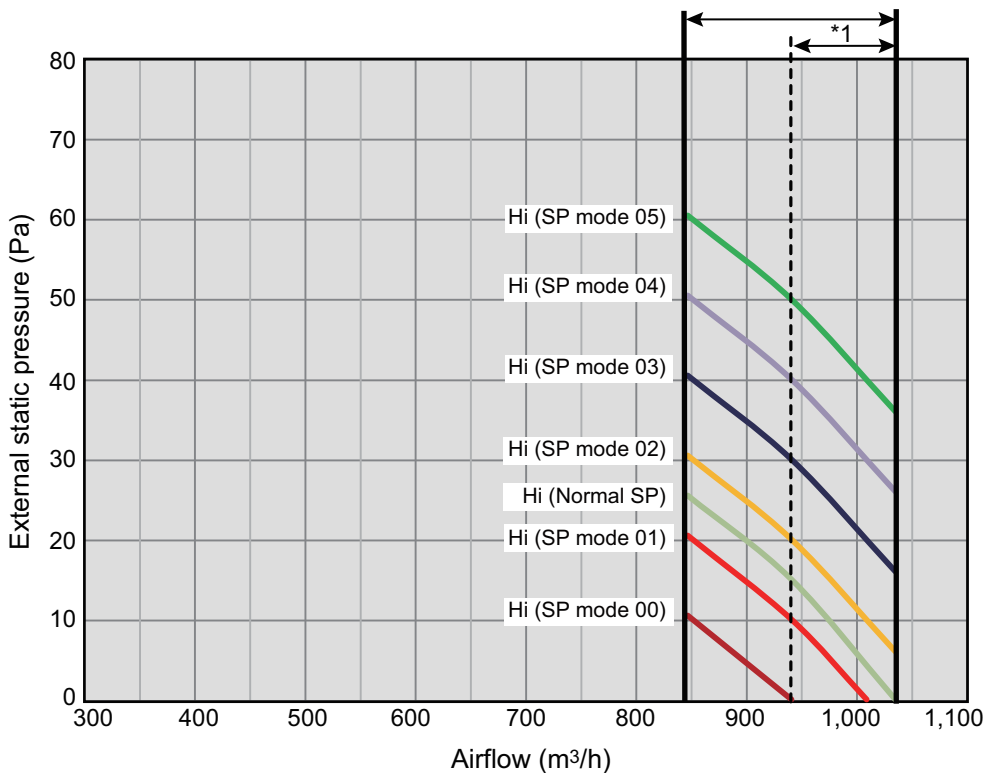
• Heating



Model: ARXG18KSLAP



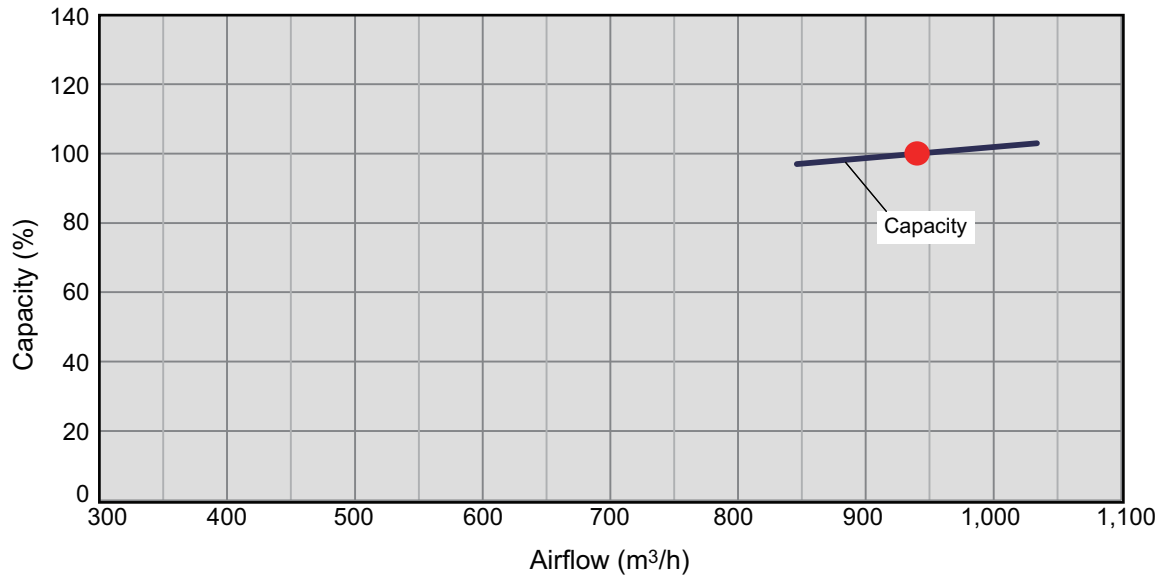
Available airflow rate range (High level)



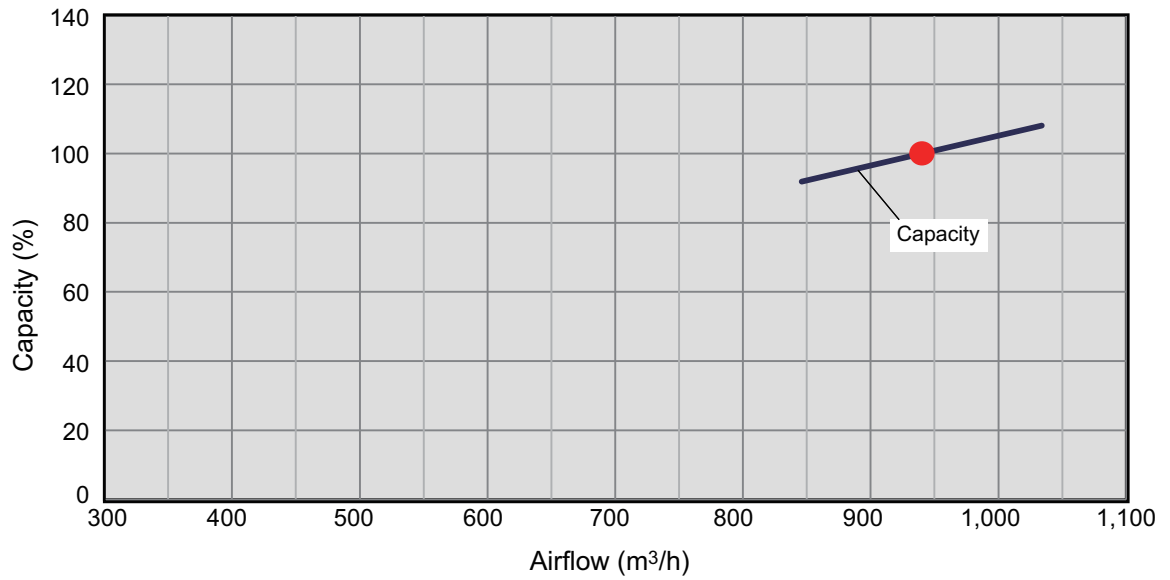
*1: Available airflow rate range when Auto louver grille (option) is installed.
 Fan speed: HIGH
 Vertical airflow direction louver: Up

● Characteristics of air volume and capacity

• Cooling

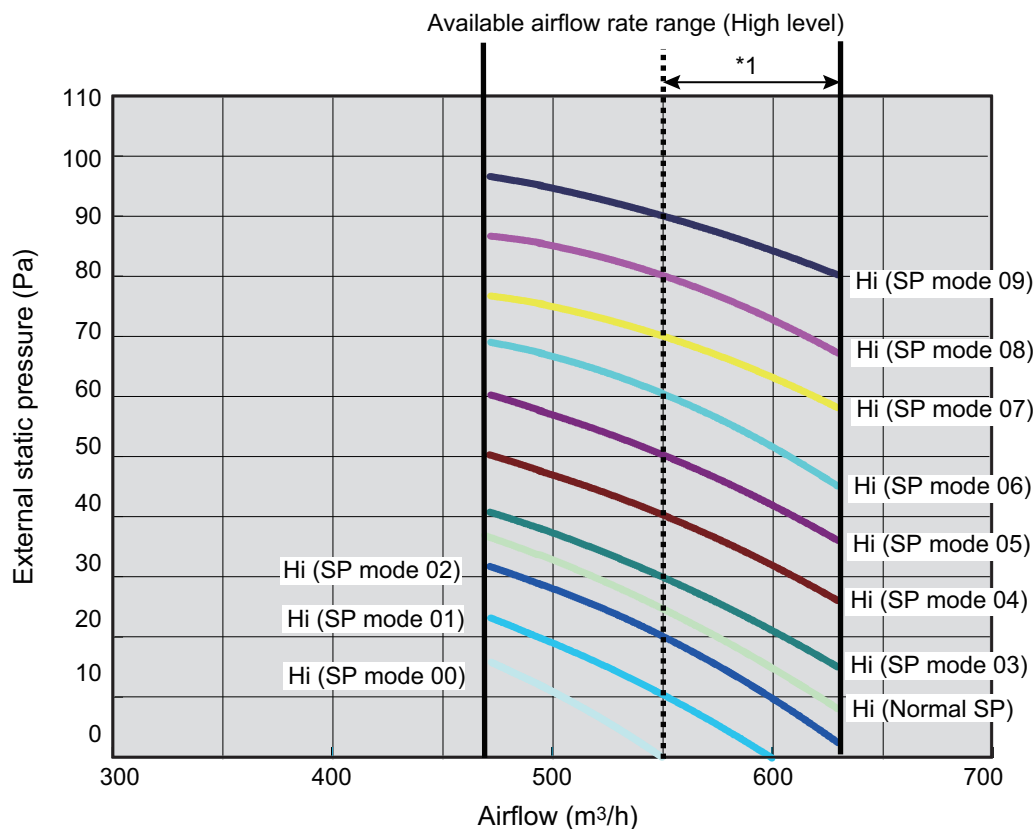
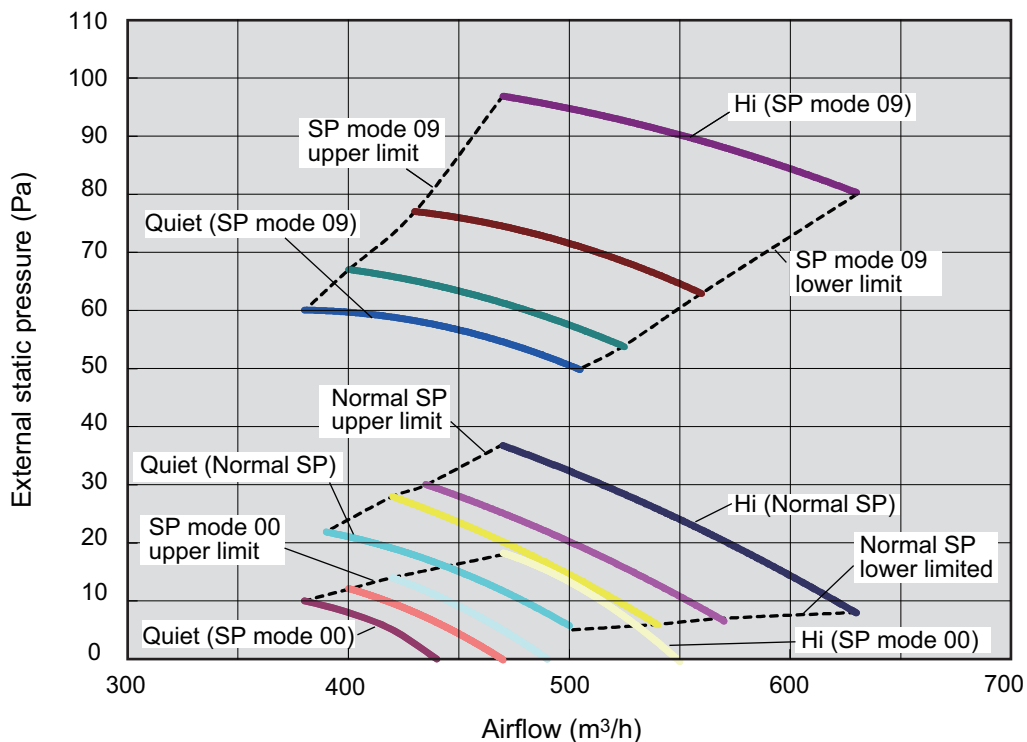


• Heating



7-2. Slim duct type

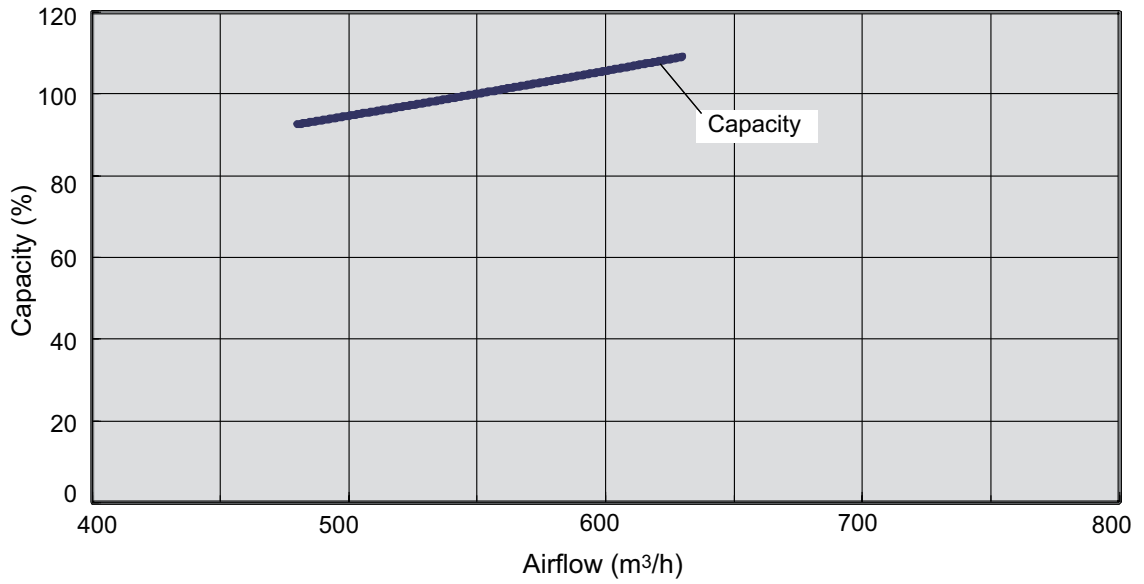
Model: ARXG07KLLAP



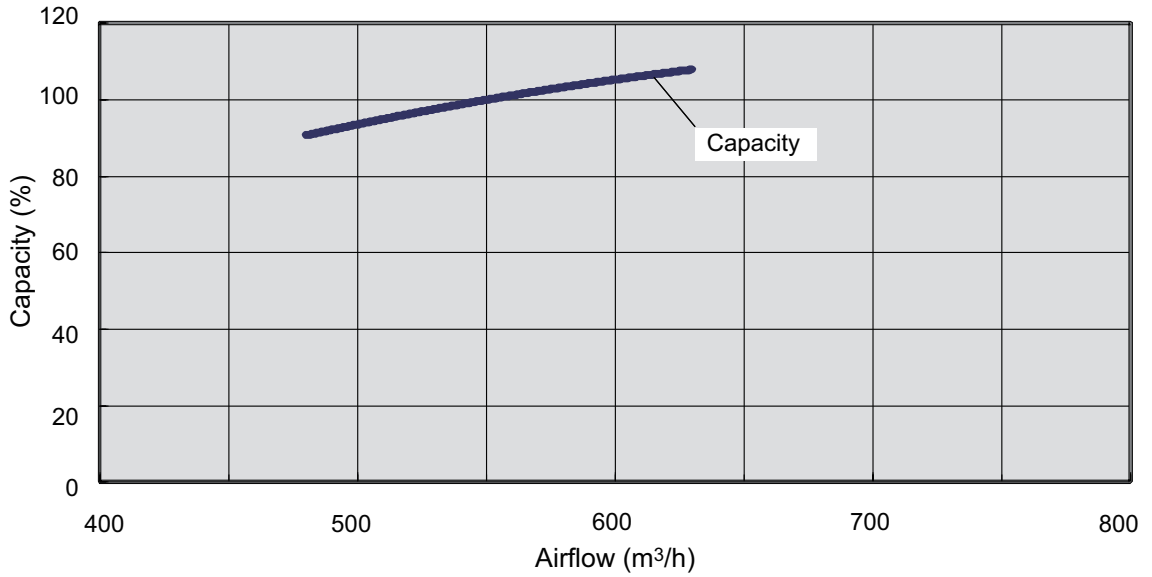
*1: Available airflow rate range when Auto louver grille (option) is installed.
 Fan speed: HIGH
 Vertical airflow direction louver: Up

● Characteristics of air volume and capacity

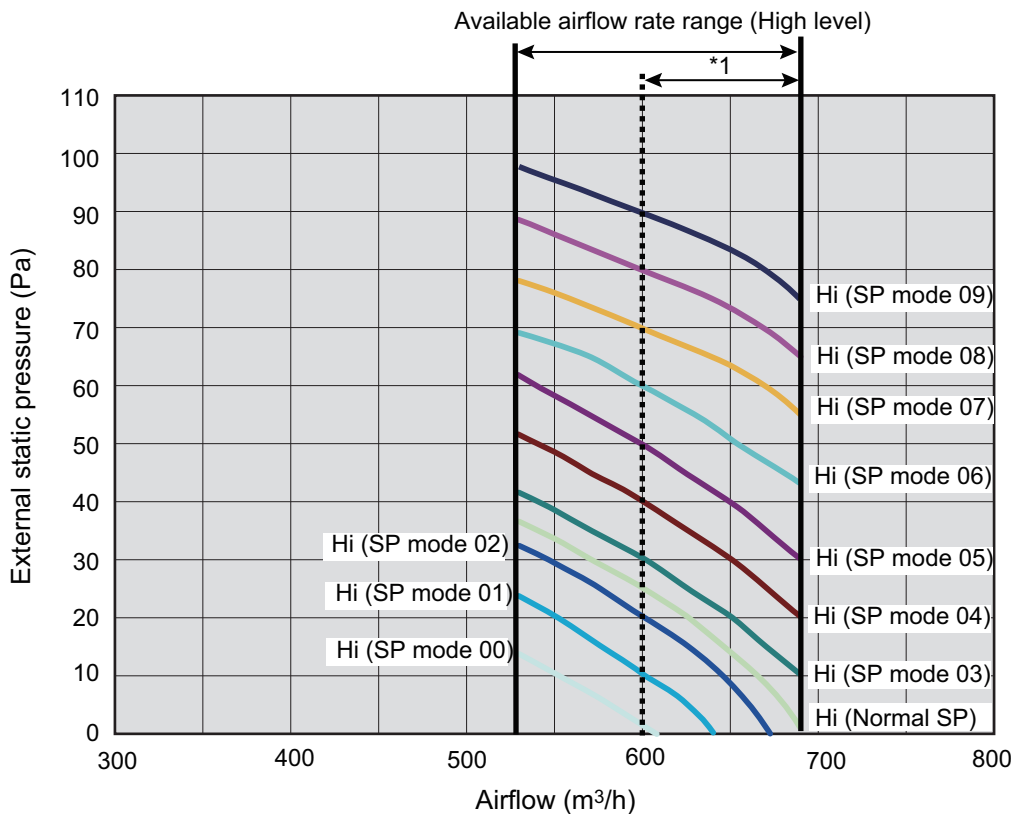
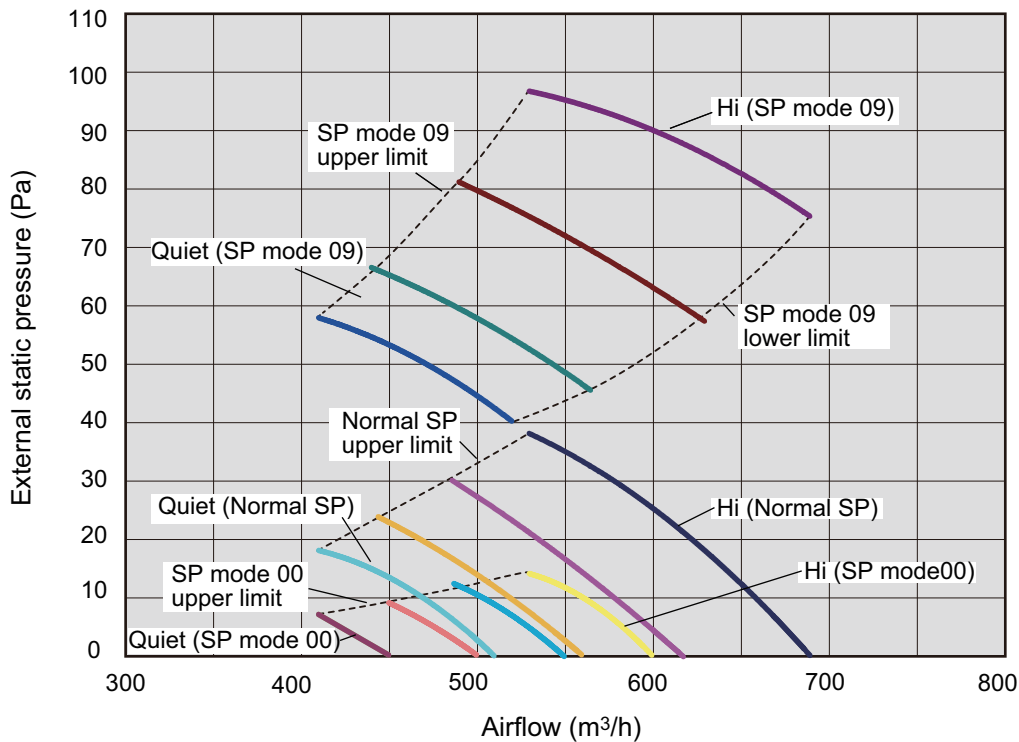
• Cooling



• Heating



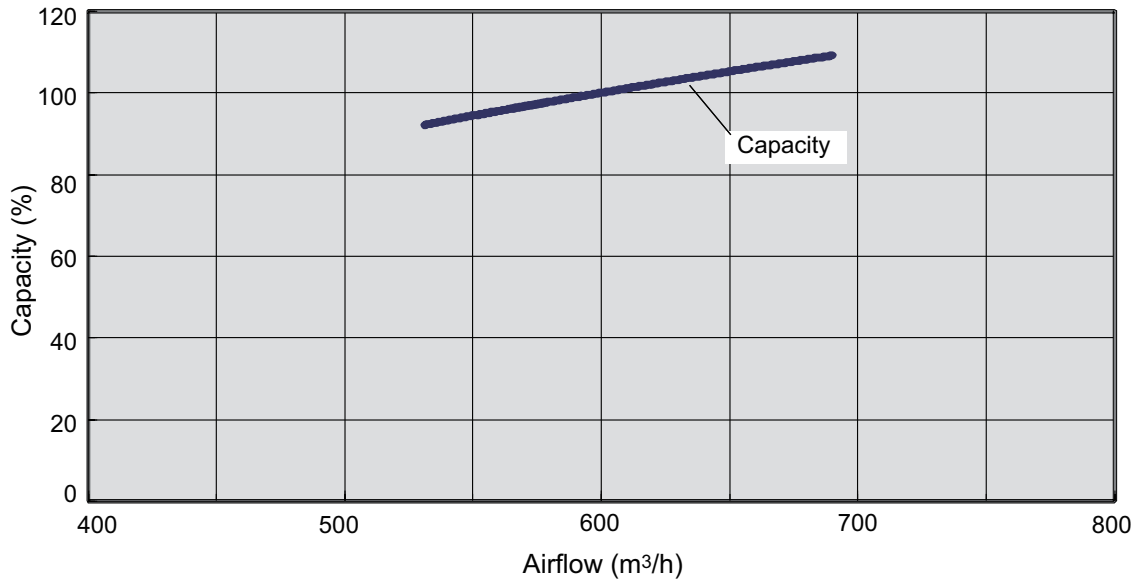
Model: ARXG09KLLAP



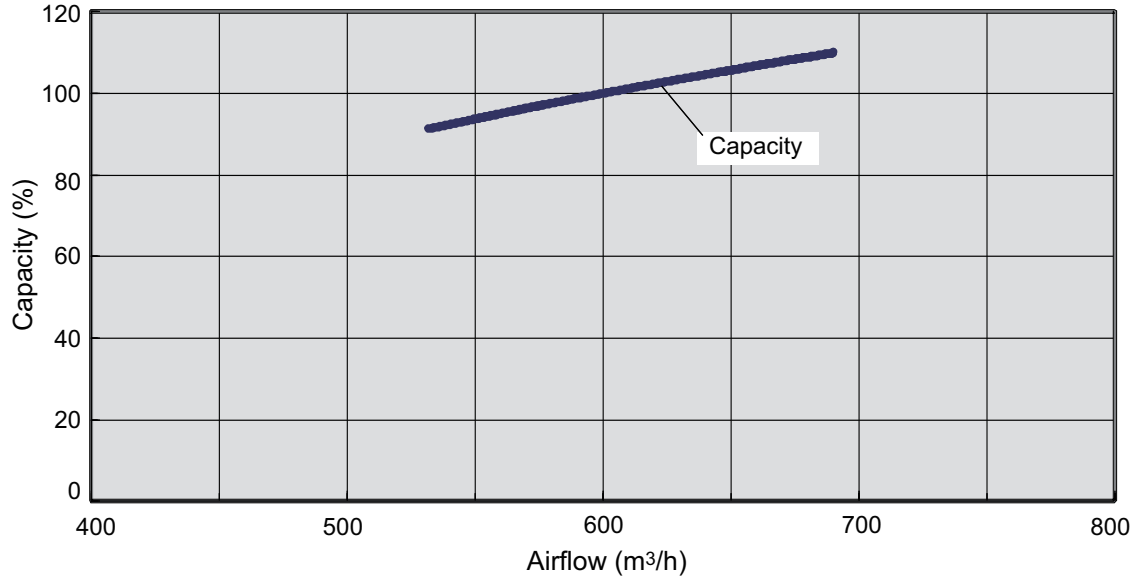
*1: Available airflow rate range when Auto louver grille (option) is installed.
 Fan speed: HIGH
 Vertical airflow direction louver: Up

● Characteristics of air volume and capacity

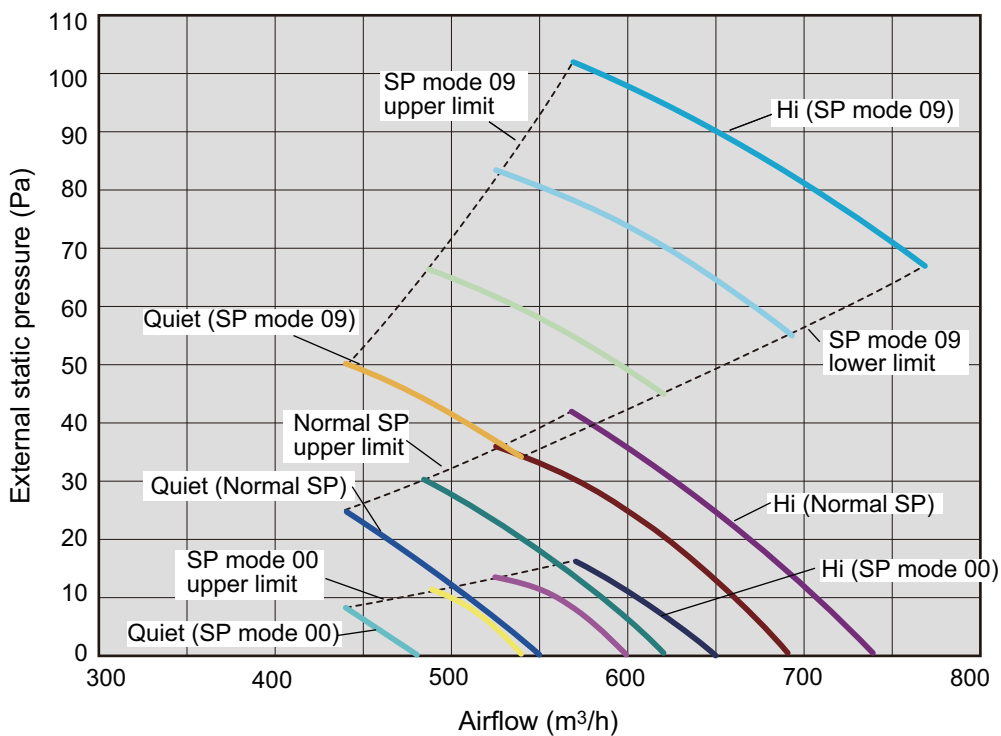
• Cooling



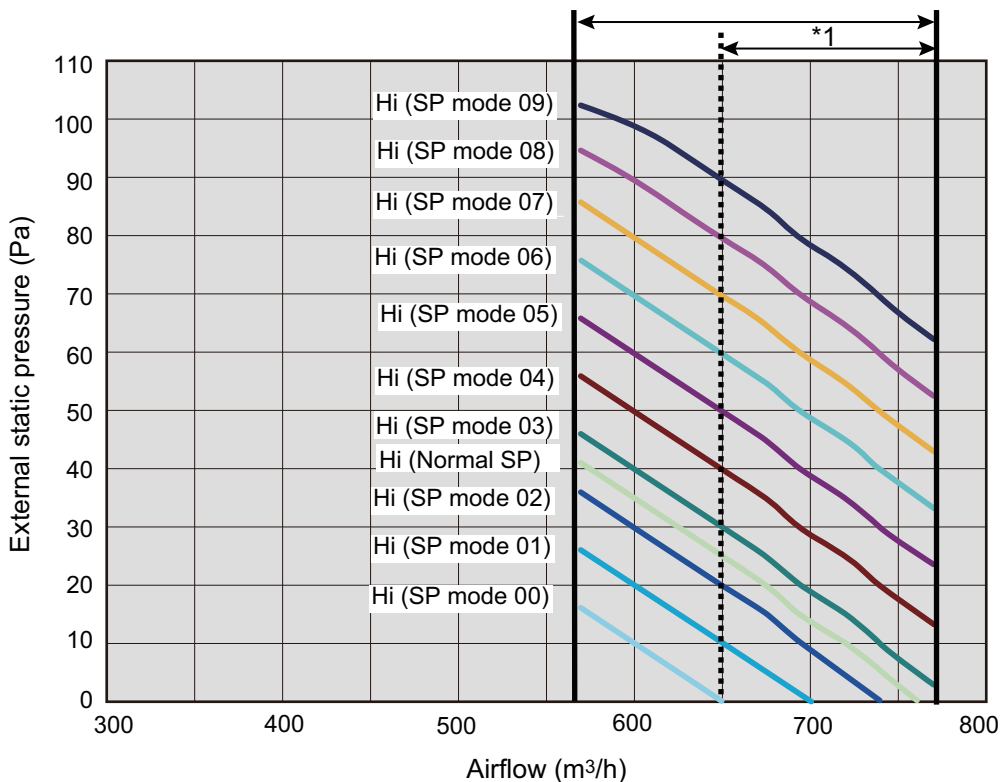
• Heating



Model: ARXG12KLLAP



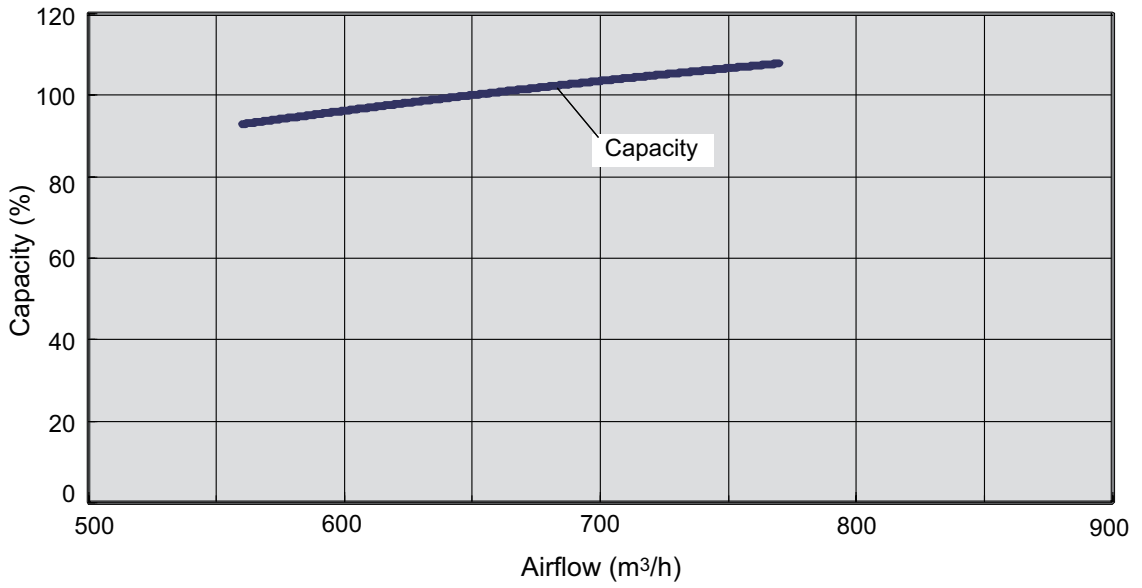
Available airflow rate range (High level)



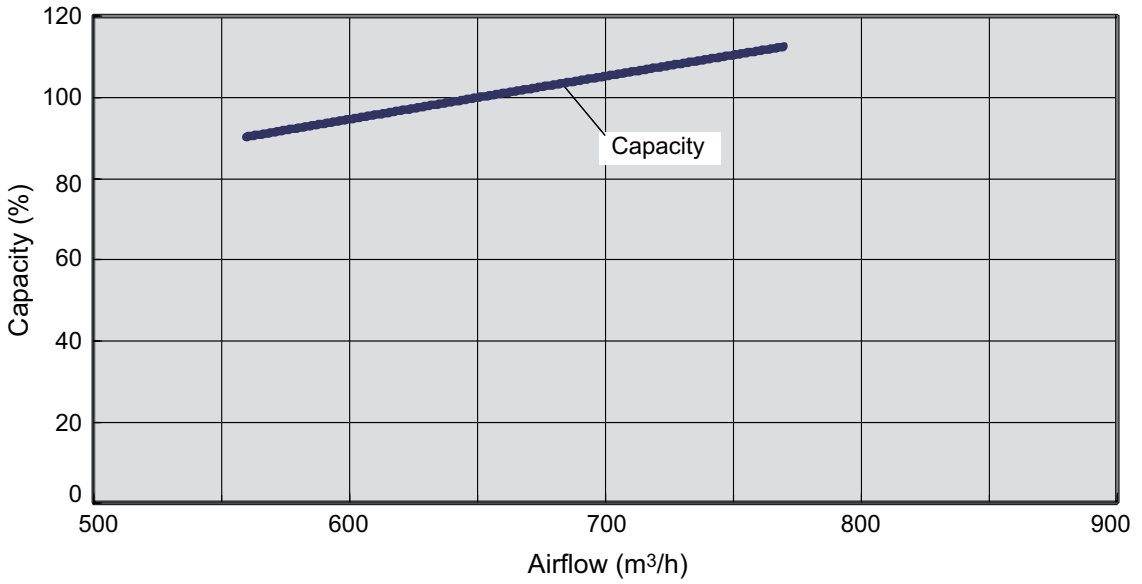
*1: Available airflow rate range when Auto louver grille (option) is installed.
 Fan speed: HIGH
 Vertical airflow direction louver: Up

● Characteristics of air volume and capacity

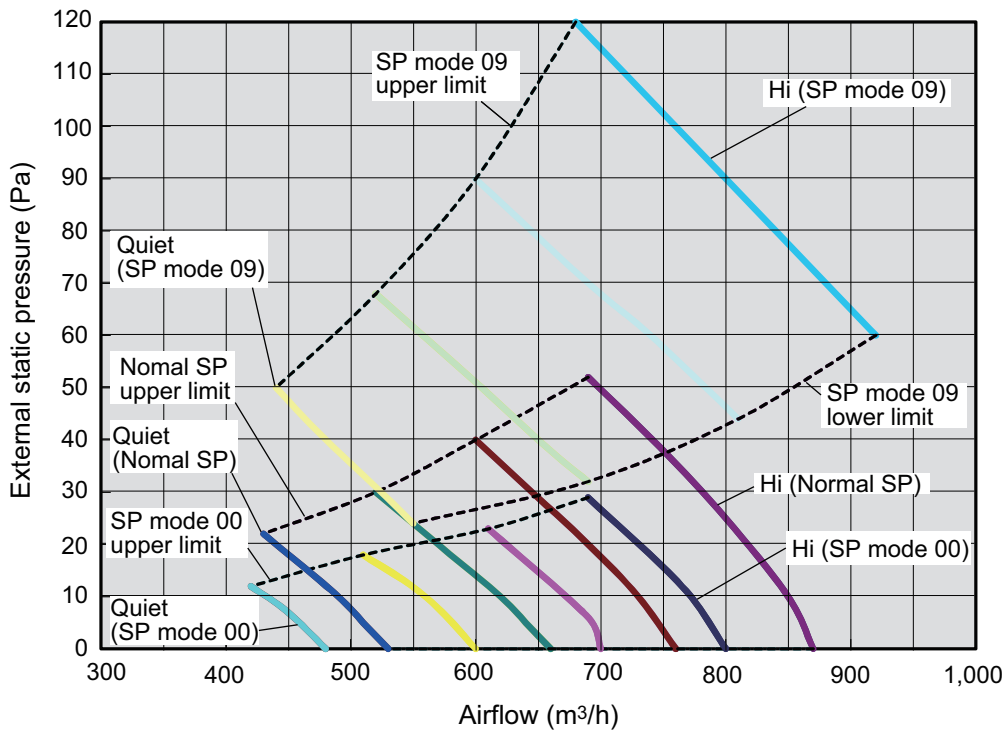
• Cooling



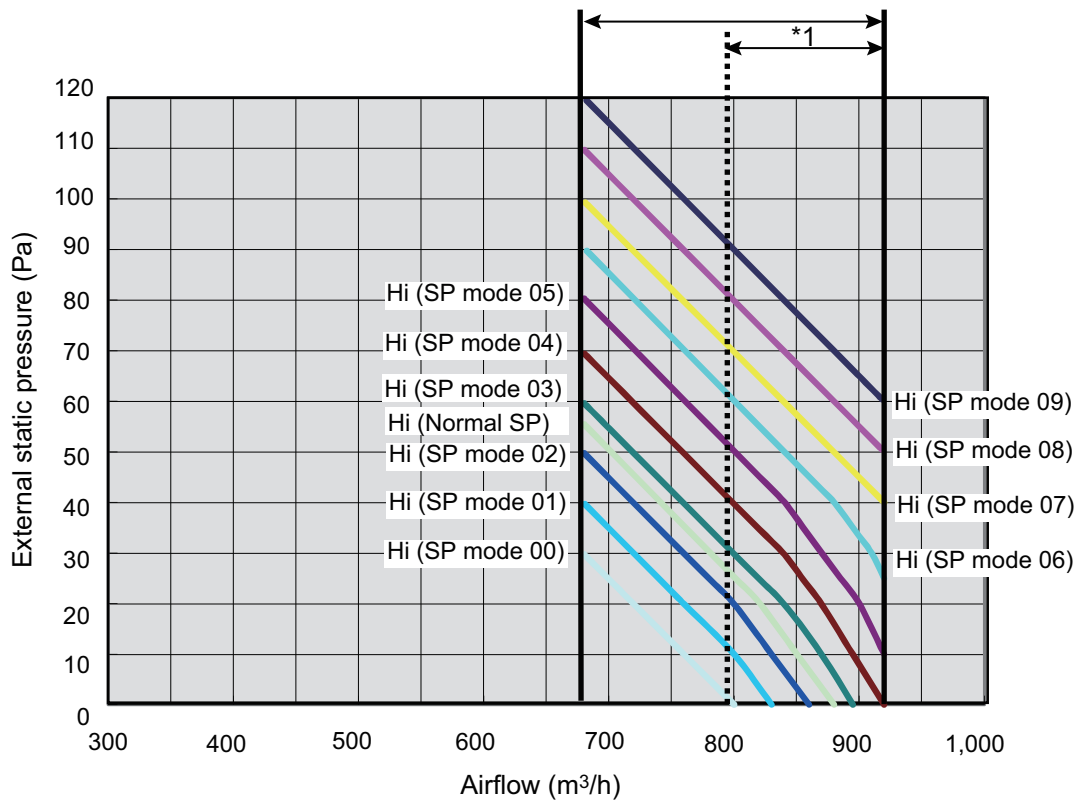
• Heating



Model: ARXG14KLLAP



Available airflow rate range (High level)



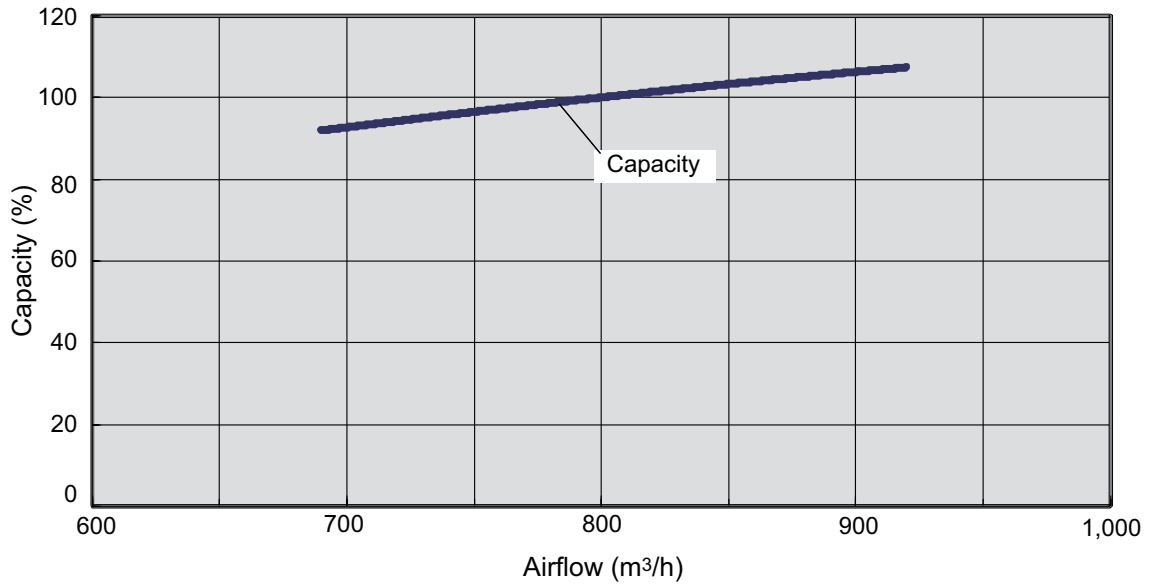
*1: Available airflow rate range when Auto louver grille (option) is installed.

Fan speed: HIGH

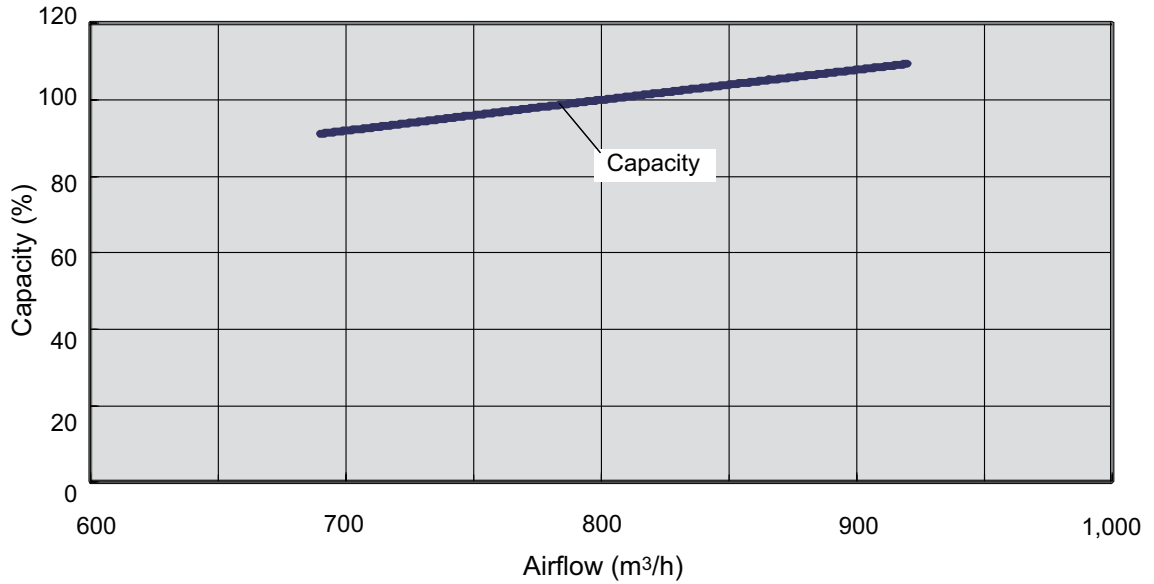
Vertical airflow direction louver: Up

● Characteristics of air volume and capacity

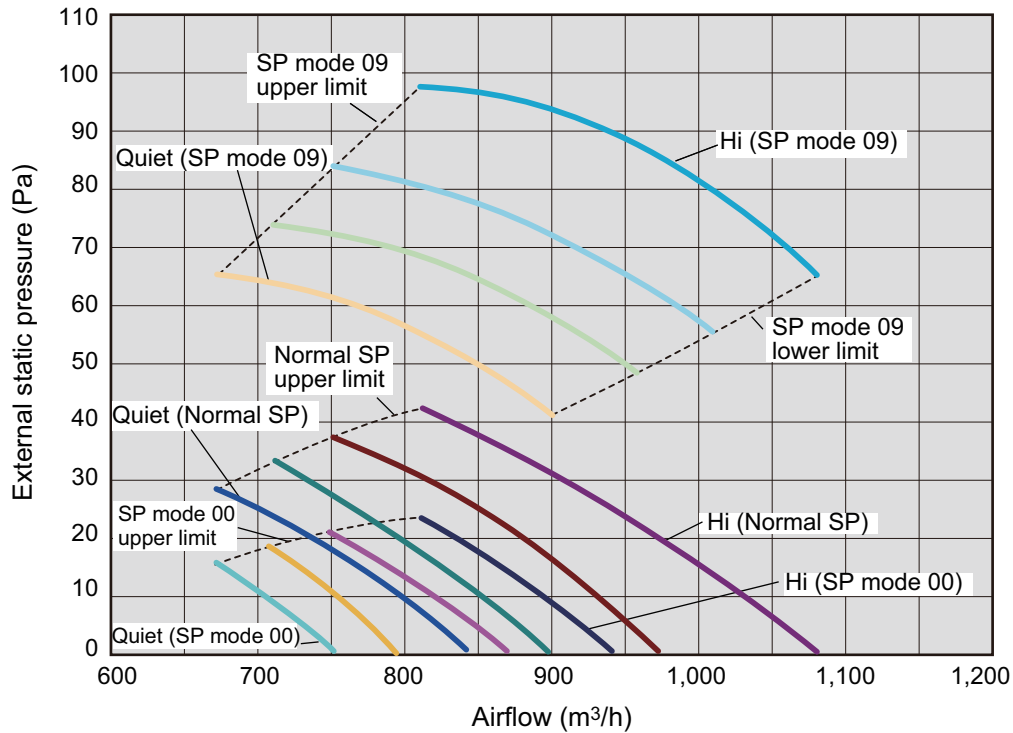
• Cooling



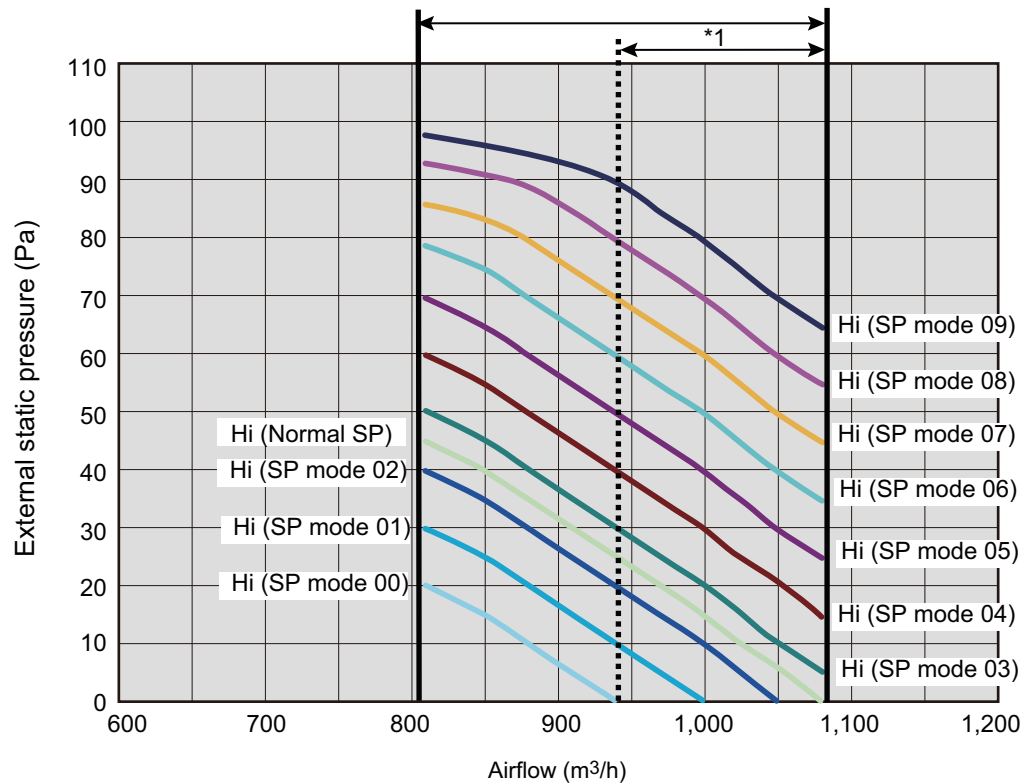
• Heating



Model: ARXG18KLLAP



Available airflow rate range (High level)



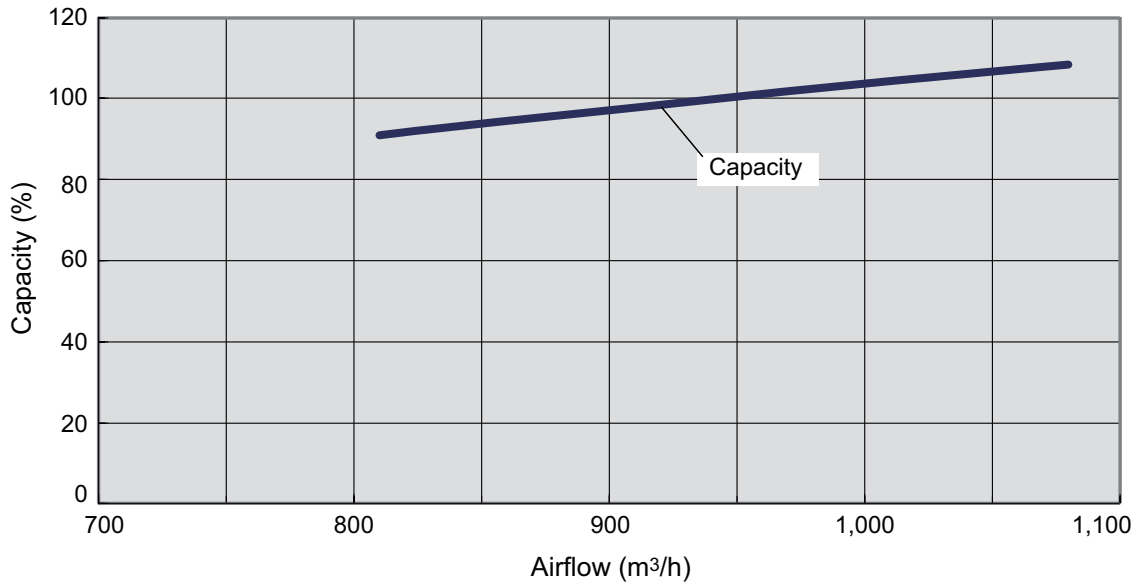
*1: Available airflow rate range when Auto louver grille (option) is installed.

Fan speed: HIGH

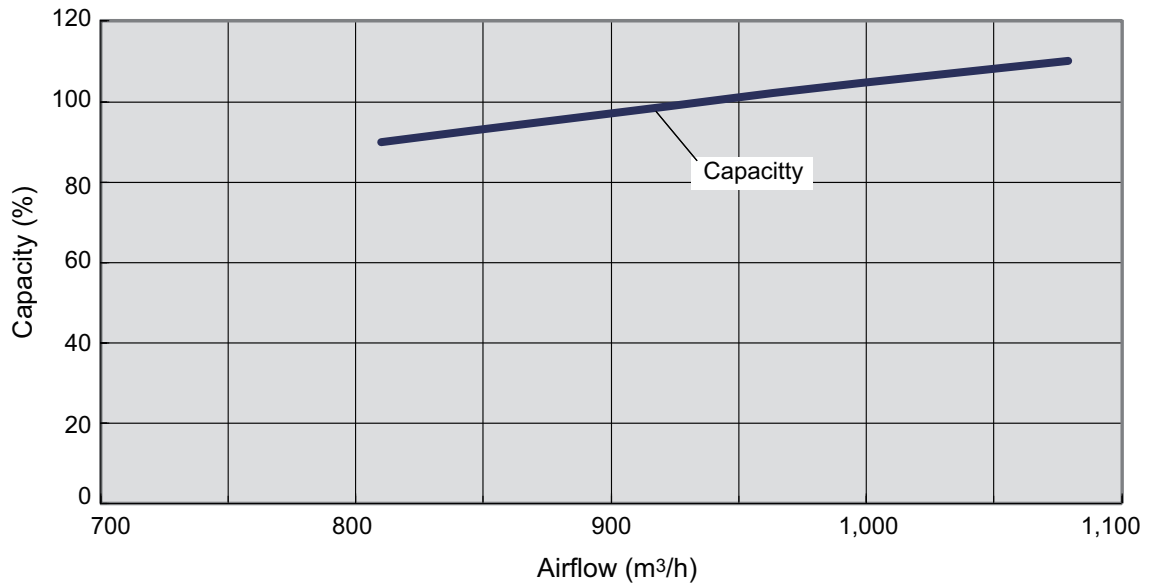
Vertical airflow direction louver: Up

● Characteristics of air volume and capacity

• Cooling



• Heating

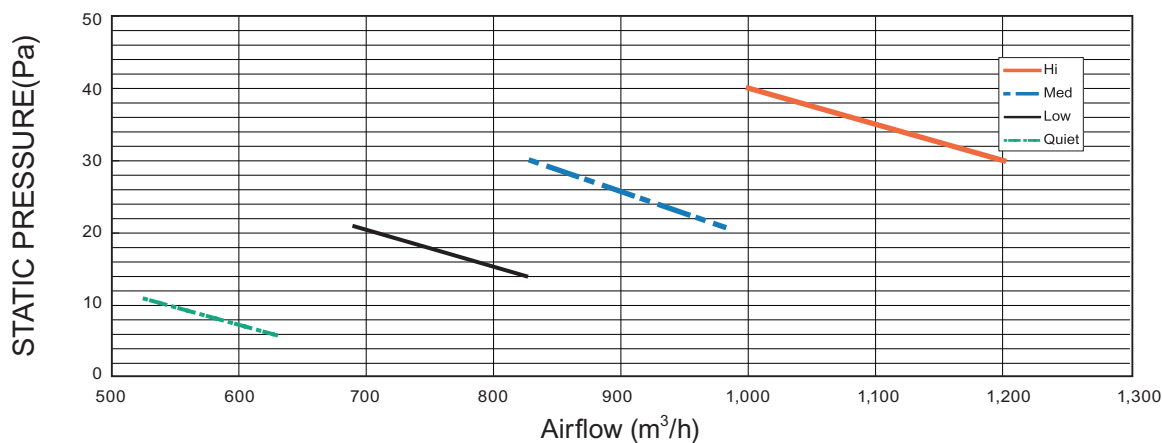


7-3. Medium static pressure duct type

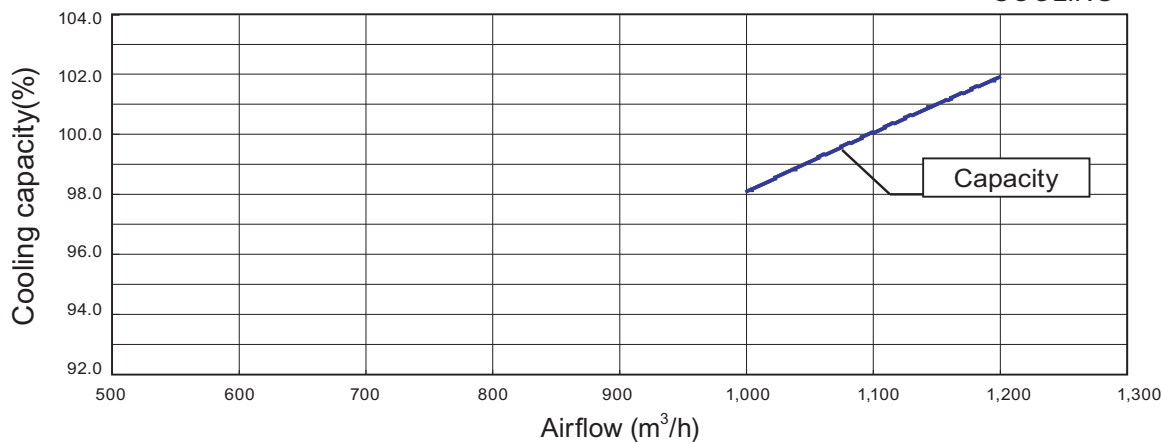
Model: ARXG22KMLB (Normal mode)

| Fan speed | Item | Static pressure (Pa) | | | | | | | | | |
|-----------|-------------------|----------------------|-----|-----|-----|-----|-----|-----|------|------|------|
| | | 6 | 8 | 11 | 14 | 18 | 21 | 25 | 30 | 35 | 40 |
| HIGH | m ³ /h | — | — | — | — | — | — | — | 1200 | 1100 | 1000 |
| | l/s | — | — | — | — | — | — | — | 333 | 306 | 278 |
| | CFM | — | — | — | — | — | — | — | 706 | 647 | 589 |
| MED | m ³ /h | — | — | — | — | — | 980 | 910 | 830 | — | — |
| | l/s | — | — | — | — | — | 272 | 253 | 231 | — | — |
| | CFM | — | — | — | — | — | 577 | 536 | 489 | — | — |
| LOW | m ³ /h | — | — | — | 825 | 750 | 690 | — | — | — | — |
| | l/s | — | — | — | 229 | 208 | 192 | — | — | — | — |
| | CFM | — | — | — | 486 | 441 | 406 | — | — | — | — |
| QUIET | m ³ /h | 630 | 580 | 525 | — | — | — | — | — | — | — |
| | l/s | 175 | 161 | 146 | — | — | — | — | — | — | — |
| | CFM | 371 | 341 | 309 | — | — | — | — | — | — | — |

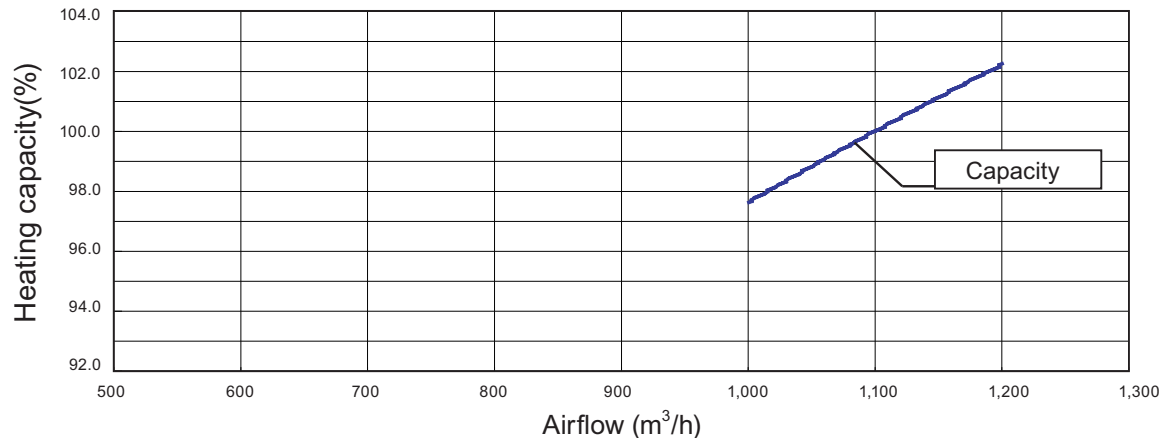
Q-h Characteristic curve



COOLING



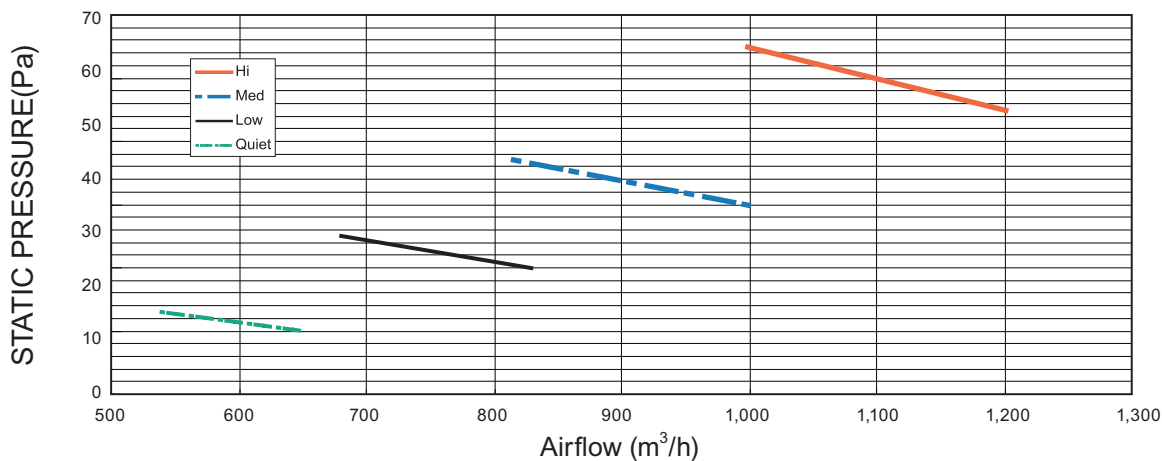
HEATING



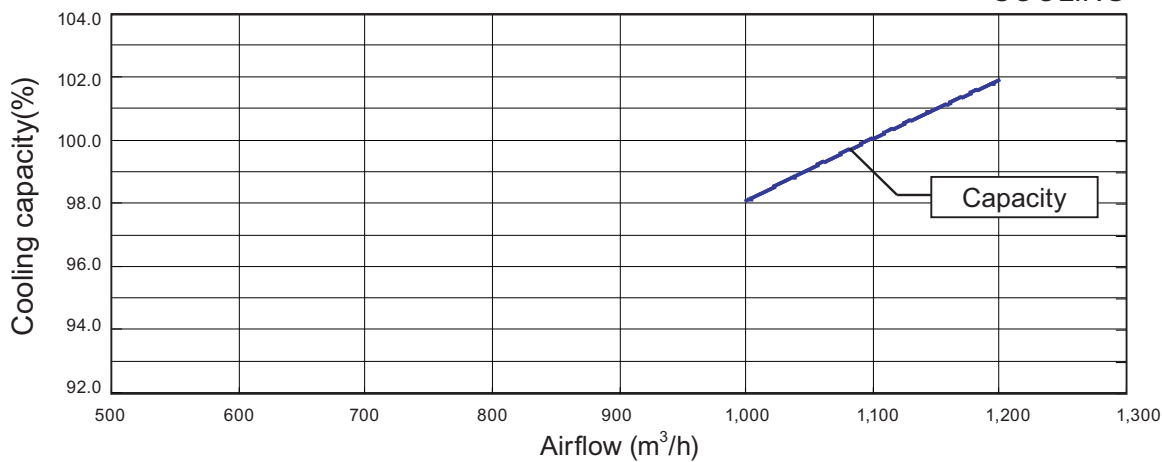
Model: ARXG22KMLB (Static pressure mode 1)

| Fan speed | Item | Static pressure (Pa) | | | | | | | |
|-----------|-------------------|----------------------|-----|-----|-----|------|-----|------|------|
| | | 20 | 23 | 30 | 35 | 40 | 47 | 55 | 65 |
| HIGH | m ³ /h | — | — | — | — | — | — | 1200 | 1000 |
| | l/s | — | — | — | — | — | — | 333 | 278 |
| | CFM | — | — | — | — | — | — | 706 | 589 |
| MED | m ³ /h | — | — | — | — | 1000 | 815 | — | — |
| | l/s | — | — | — | — | 278 | 226 | — | — |
| | CFM | — | — | — | — | 589 | 480 | — | — |
| LOW | m ³ /h | — | — | 830 | 680 | — | — | — | — |
| | l/s | — | — | 231 | 189 | — | — | — | — |
| | CFM | — | — | 489 | 400 | — | — | — | — |
| QUIET | m ³ /h | 650 | 540 | — | — | — | — | — | — |
| | l/s | 181 | 150 | — | — | — | — | — | — |
| | CFM | 383 | 318 | — | — | — | — | — | — |

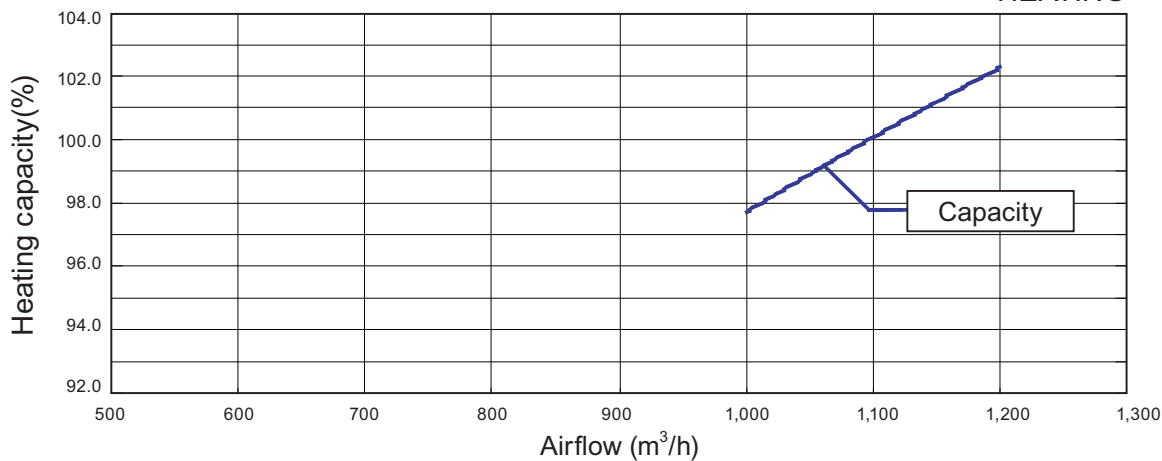
Q-h Characteristic curve



COOLING



HEATING



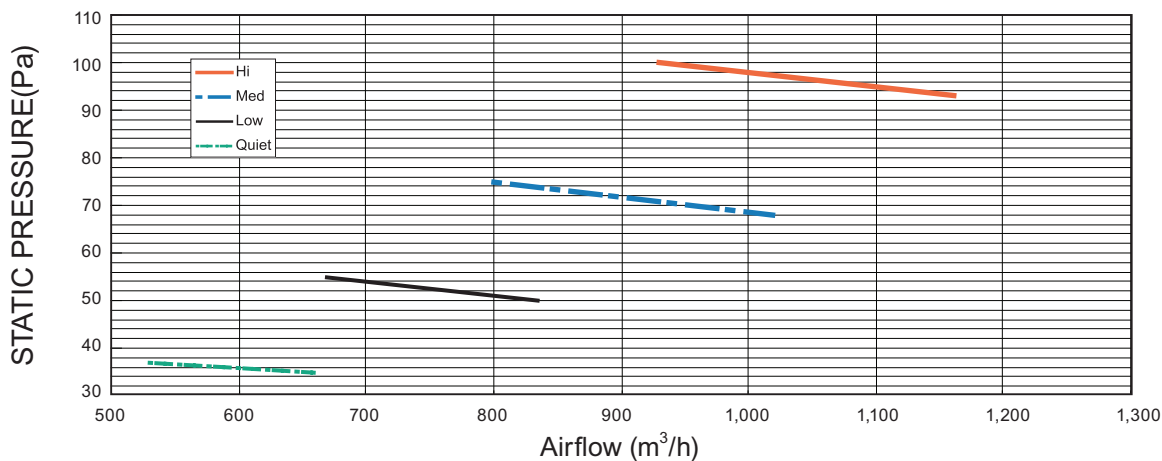
Model: ARXG22KMLB (Static pressure mode 2)

4-5 UNIT
MULTI-SPLIT TYPE

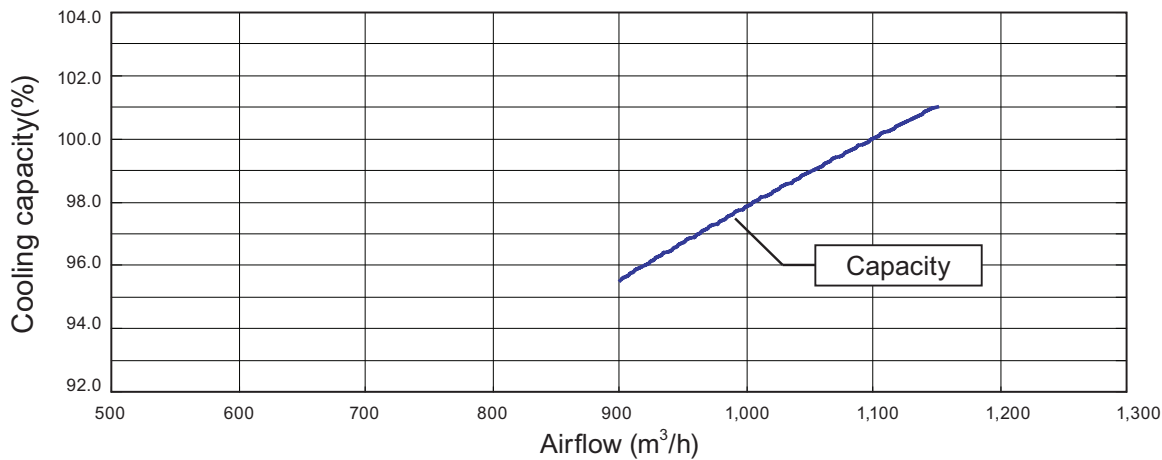
4-5 UNIT
MULTI-SPLIT TYPE

| Fan speed | Item | Static pressure (Pa) | | | | | | | |
|-----------|-------------------|----------------------|-----|-----|-----|------|-----|------|-----|
| | | 35 | 37 | 50 | 55 | 68 | 75 | 93 | 100 |
| HIGH | m ³ /h | — | — | — | — | — | — | 1160 | 930 |
| | l/s | — | — | — | — | — | — | 322 | 258 |
| | CFM | — | — | — | — | — | — | 683 | 547 |
| MED | m ³ /h | — | — | — | — | 1020 | 800 | — | — |
| | l/s | — | — | — | — | 283 | 222 | — | — |
| | CFM | — | — | — | — | 600 | 471 | — | — |
| LOW | m ³ /h | — | — | 835 | 670 | — | — | — | — |
| | l/s | — | — | 232 | 186 | — | — | — | — |
| | CFM | — | — | 491 | 394 | — | — | — | — |
| QUIET | m ³ /h | 660 | 530 | — | — | — | — | — | — |
| | l/s | 183 | 147 | — | — | — | — | — | — |
| | CFM | 388 | 312 | — | — | — | — | — | — |

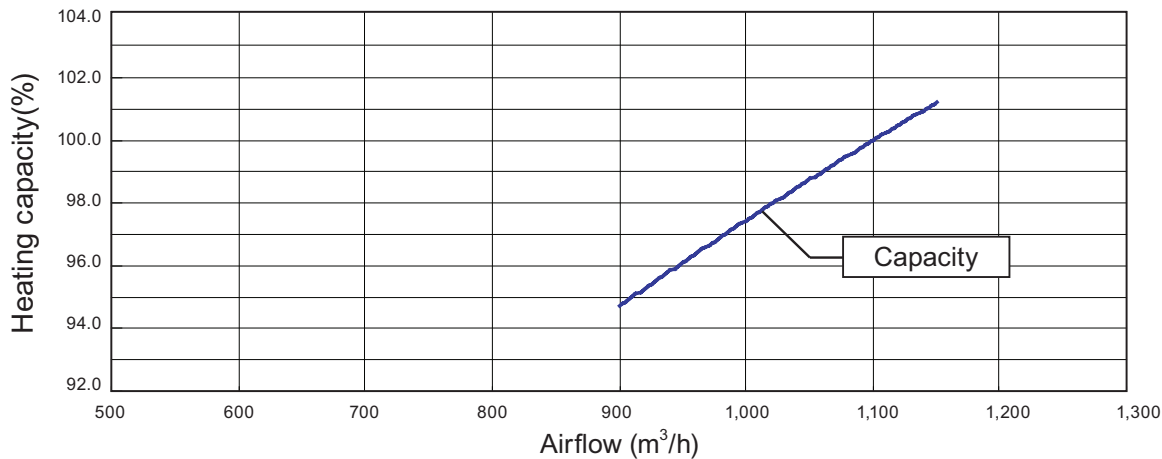
Q-h Characteristic curve



COOLING



HEATING



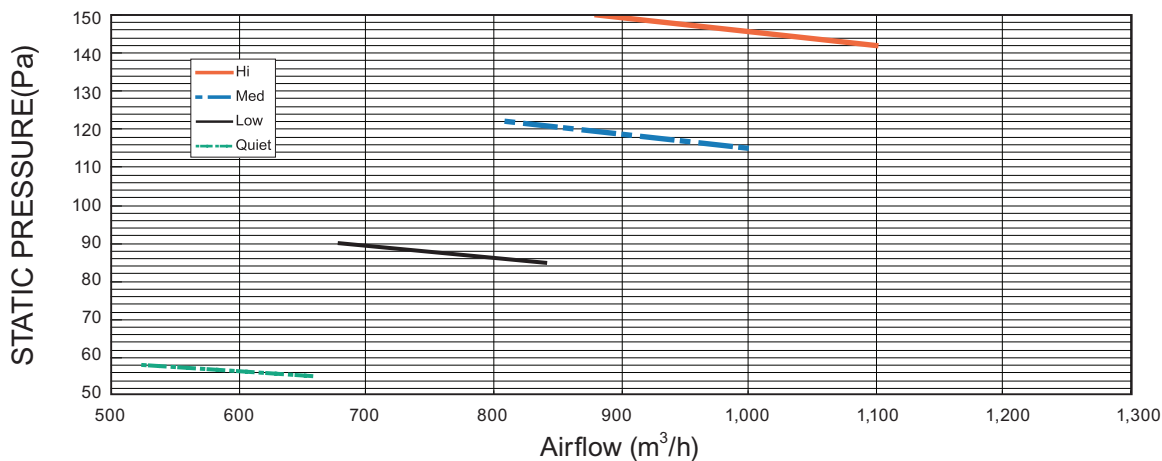
■ Model: ARXG22KMLB (Static pressure mode 3)

4-5 UNIT
MULTI-SPLIT TYPE

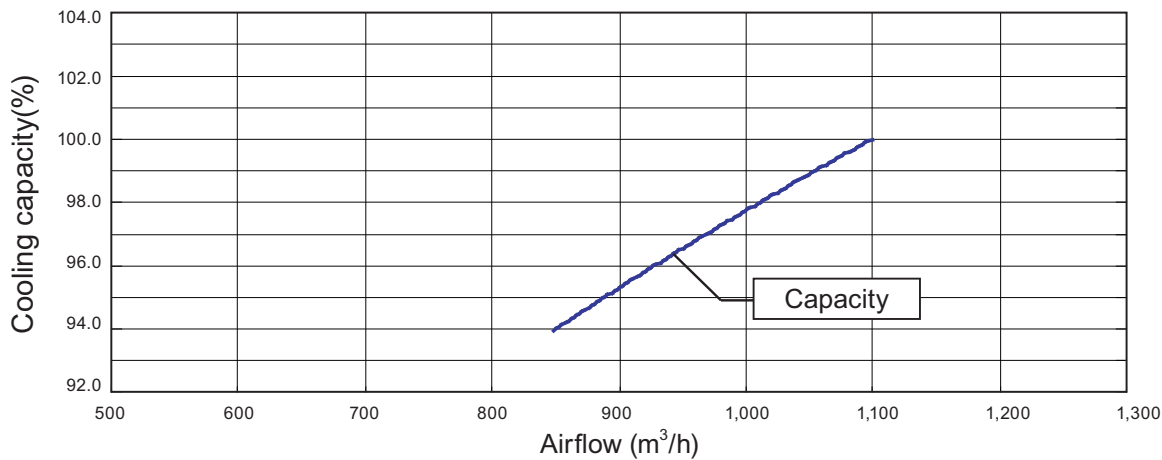
4-5 UNIT
MULTI-SPLIT TYPE

| Fan speed | Item | Static pressure (Pa) | | | | | | | |
|-----------|-------------------|----------------------|-----|-----|-----|------|-----|------|-----|
| | | 55 | 58 | 85 | 90 | 115 | 122 | 142 | 150 |
| HIGH | m ³ /h | — | — | — | — | — | — | 1100 | 880 |
| | l/s | — | — | — | — | — | — | 306 | 244 |
| | CFM | — | — | — | — | — | — | 647 | 518 |
| MED | m ³ /h | — | — | — | — | 1000 | 810 | — | — |
| | l/s | — | — | — | — | 278 | 225 | — | — |
| | CFM | — | — | — | — | 589 | 477 | — | — |
| LOW | m ³ /h | — | — | 840 | 680 | — | — | — | — |
| | l/s | — | — | 233 | 189 | — | — | — | — |
| | CFM | — | — | 494 | 400 | — | — | — | — |
| QUIET | m ³ /h | 660 | 525 | — | — | — | — | — | — |
| | l/s | 183 | 146 | — | — | — | — | — | — |
| | CFM | 388 | 309 | — | — | — | — | — | — |

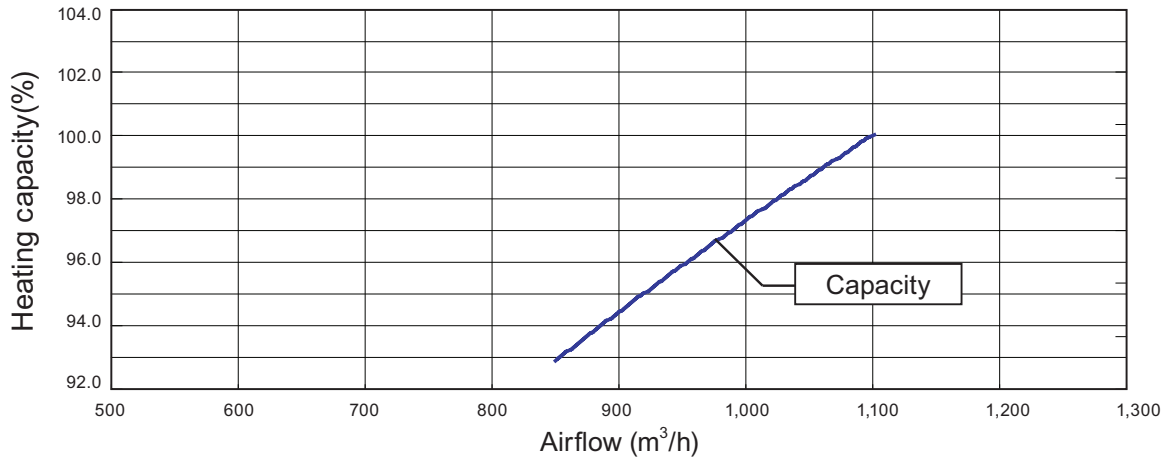
Q-h Characteristic curve



COOLING

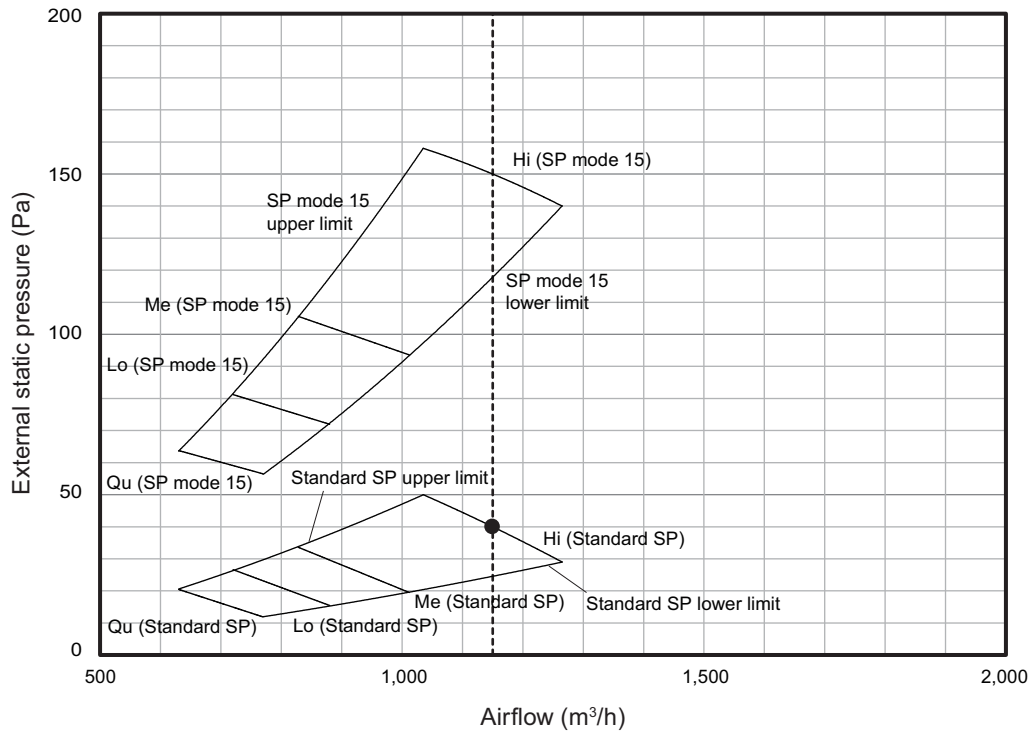


HEATING

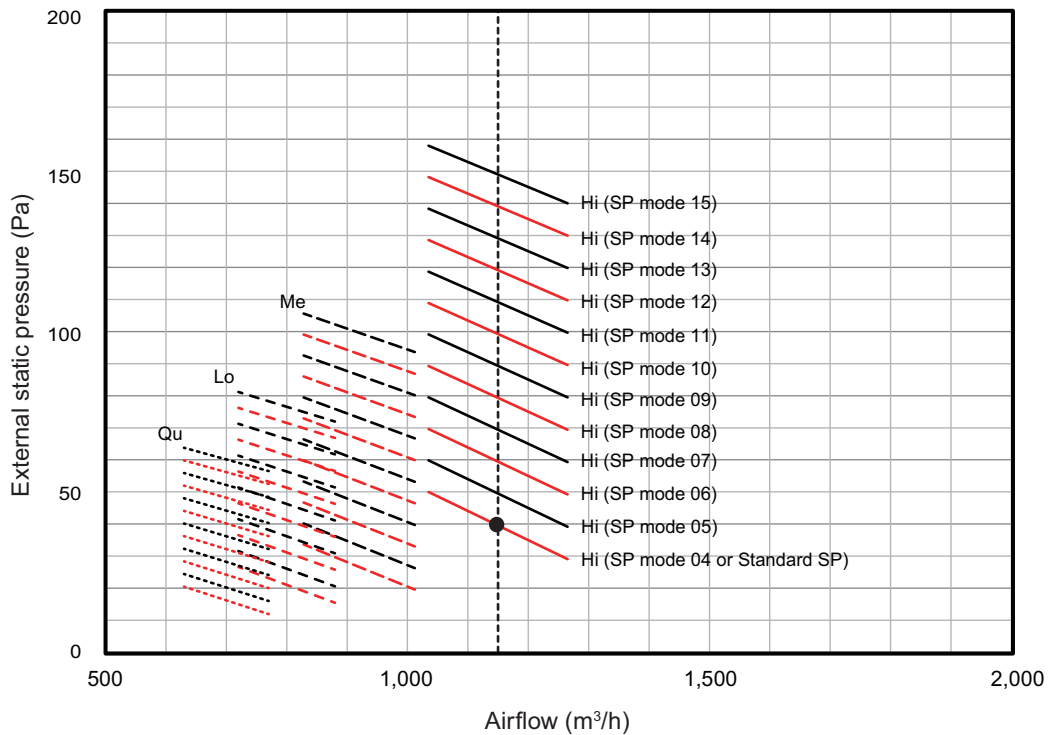


■ Model: ARXH22KMTAP

Fan performance curve 1



Fan performance curve 2
(For function setting by remote controller)

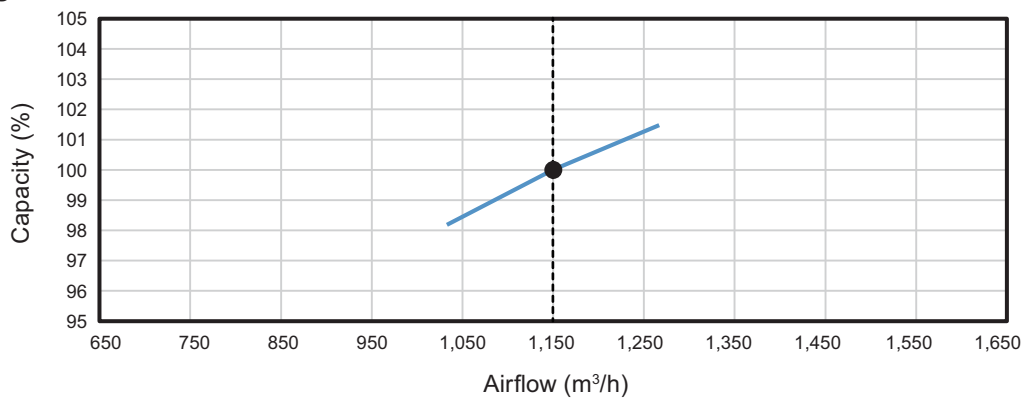


NOTES:

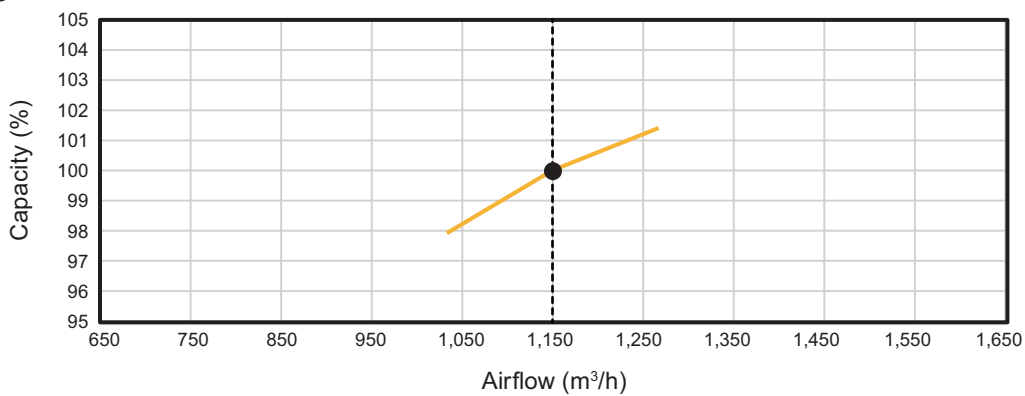
- Setting of the external static pressure is switchable into modes by using the remote controller.
- According to the resistance of the connecting duct, perform the setting of the external static pressure with referring “Fan performance curve 2” above.
- The default setting is set at “Standard SP”.

● Characteristics of air volume and capacity

• Cooling



• Heating



8. Airflow

Conversion factor:

- $1 \text{ m}^3/\text{h} = 0.2778 \text{ l/s} = 0.5886 \text{ CFM}$
- $3.6 \text{ m}^3/\text{h} = 1 \text{ l/s}$
- $1.699 \text{ m}^3/\text{h} = 1 \text{ CFM}$

8-1. Compact cassette type

| Model | Operation mode | Fan speed | Airflow | | |
|--------------------------|----------------|-----------|-------------------|-----|-----|
| | | | m ³ /h | l/s | CFM |
| AUXG07KVLA AUXG09KVLA | Cooling | High | 540 | 150 | 318 |
| | | Med | 490 | 136 | 288 |
| | | Low | 440 | 122 | 259 |
| | | Quiet | 390 | 108 | 230 |
| | Heating | High | 540 | 150 | 318 |
| | | Med | 490 | 136 | 288 |
| | | Low | 440 | 122 | 259 |
| | | Quiet | 390 | 108 | 230 |
| AUXG12KVLA | Cooling | High | 610 | 169 | 359 |
| | | Med | 530 | 147 | 312 |
| | | Low | 470 | 131 | 277 |
| | | Quiet | 410 | 114 | 241 |
| | Heating | High | 610 | 169 | 359 |
| | | Med | 530 | 147 | 312 |
| | | Low | 470 | 131 | 277 |
| | | Quiet | 410 | 114 | 241 |
| AUXG14KVLA | Cooling | High | 680 | 189 | 400 |
| | | Med | 580 | 161 | 341 |
| | | Low | 490 | 136 | 288 |
| | | Quiet | 410 | 114 | 241 |
| | Heating | High | 790 | 219 | 465 |
| | | Med | 680 | 189 | 400 |
| | | Low | 580 | 161 | 341 |
| | | Quiet | 450 | 125 | 265 |
| AUXG18KVLA | Cooling | High | 680 | 189 | 400 |
| | | Med | 580 | 161 | 341 |
| | | Low | 490 | 136 | 288 |
| | | Quiet | 410 | 114 | 241 |
| | Heating | High | 790 | 219 | 465 |
| | | Med | 680 | 189 | 400 |
| | | Low | 580 | 161 | 341 |
| | | Quiet | 450 | 125 | 265 |
| AUXG22KVLA | Cooling | High | 830 | 231 | 489 |
| | | Med | 740 | 206 | 436 |
| | | Low | 600 | 167 | 353 |
| | | Quiet | 450 | 125 | 265 |
| | Heating | High | 860 | 239 | 506 |
| | | Med | 760 | 211 | 447 |
| | | Low | 700 | 194 | 412 |
| | | Quiet | 530 | 147 | 312 |

8-2. Mini duct type

| Model | Operation mode | Fan speed | Airflow | | |
|-------------|----------------|-----------|-------------------|-----|-----|
| | | | m ³ /h | l/s | CFM |
| ARXG07KSLAP | Cooling | High | 550 | 153 | 324 |
| | | Med | 440 | 122 | 259 |
| | | Low | 390 | 108 | 230 |
| | | Quiet | 360 | 100 | 212 |
| | Heating | High | 550 | 153 | 324 |
| | | Med | 550 | 122 | 259 |
| | | Low | 390 | 108 | 230 |
| | | Quiet | 360 | 100 | 212 |
| ARXG09KSLAP | Cooling | High | 600 | 167 | 353 |
| | | Med | 450 | 125 | 265 |
| | | Low | 400 | 111 | 235 |
| | | Quiet | 360 | 100 | 212 |
| | Heating | High | 600 | 167 | 353 |
| | | Med | 450 | 125 | 265 |
| | | Low | 400 | 111 | 235 |
| | | Quiet | 360 | 100 | 212 |
| ARXG12KSLAP | Cooling | High | 650 | 181 | 383 |
| | | Med | 490 | 136 | 288 |
| | | Low | 430 | 119 | 253 |
| | | Quiet | 360 | 100 | 212 |
| | Heating | High | 650 | 181 | 383 |
| | | Med | 490 | 136 | 288 |
| | | Low | 430 | 119 | 253 |
| | | Quiet | 360 | 100 | 212 |
| ARXG14KSLAP | Cooling | High | 800 | 222 | 471 |
| | | Med | 640 | 178 | 377 |
| | | Low | 530 | 147 | 312 |
| | | Quiet | 360 | 100 | 212 |
| | Heating | High | 800 | 222 | 471 |
| | | Med | 640 | 178 | 377 |
| | | Low | 530 | 147 | 312 |
| | | Quiet | 360 | 100 | 212 |
| ARXG18KSLAP | Cooling | High | 940 | 261 | 553 |
| | | Med | 750 | 208 | 441 |
| | | Low | 540 | 150 | 318 |
| | | Quiet | 480 | 133 | 283 |
| | Heating | High | 940 | 261 | 553 |
| | | Med | 750 | 208 | 441 |
| | | Low | 540 | 150 | 318 |
| | | Quiet | 480 | 133 | 283 |

8-3. Slim duct type

| Model | Operation mode | Fan speed | Airflow | | |
|-------------|----------------|-----------|-------------------|-----|-----|
| | | | m ³ /h | l/s | CFM |
| ARXG07KLLAP | Cooling | High | 550 | 153 | 324 |
| | | Med | 490 | 136 | 288 |
| | | Low | 470 | 131 | 277 |
| | | Quiet | 440 | 122 | 259 |
| | Heating | High | 550 | 153 | 324 |
| | | Med | 490 | 136 | 288 |
| | | Low | 470 | 131 | 277 |
| | | Quiet | 440 | 122 | 259 |
| ARXG09KLLAP | Cooling | High | 600 | 167 | 353 |
| | | Med | 550 | 153 | 324 |
| | | Low | 500 | 139 | 294 |
| | | Quiet | 450 | 125 | 265 |
| | Heating | High | 600 | 167 | 353 |
| | | Med | 550 | 153 | 324 |
| | | Low | 500 | 139 | 294 |
| | | Quiet | 450 | 125 | 265 |
| ARXG12KLLAP | Cooling | High | 650 | 181 | 383 |
| | | Med | 600 | 167 | 353 |
| | | Low | 550 | 153 | 324 |
| | | Quiet | 480 | 133 | 283 |
| | Heating | High | 650 | 181 | 383 |
| | | Med | 600 | 167 | 353 |
| | | Low | 550 | 153 | 324 |
| | | Quiet | 480 | 133 | 283 |
| ARXG14KLLAP | Cooling | High | 800 | 222 | 471 |
| | | Med | 700 | 194 | 412 |
| | | Low | 600 | 167 | 353 |
| | | Quiet | 480 | 133 | 283 |
| | Heating | High | 800 | 222 | 471 |
| | | Med | 700 | 194 | 412 |
| | | Low | 600 | 167 | 353 |
| | | Quiet | 480 | 133 | 283 |
| ARXG18KLLAP | Cooling | High | 940 | 261 | 553 |
| | | Med | 880 | 244 | 518 |
| | | Low | 820 | 228 | 483 |
| | | Quiet | 750 | 208 | 441 |
| | Heating | High | 940 | 261 | 553 |
| | | Med | 880 | 244 | 518 |
| | | Low | 820 | 228 | 483 |
| | | Quiet | 750 | 208 | 441 |

8-4. Medium static pressure duct type

| Model | Operation mode | Fan speed | Airflow | | |
|-------------|----------------|-----------|-------------------|-----|-----|
| | | | m ³ /h | l/s | CFM |
| ARXG22KMLB | Cooling | High | 1,100 | 306 | 647 |
| | | Med | 910 | 253 | 536 |
| | | Low | 750 | 208 | 441 |
| | | Quiet | 580 | 161 | 341 |
| | Heating | High | 1,100 | 306 | 647 |
| | | Med | 910 | 253 | 536 |
| | | Low | 750 | 208 | 441 |
| | | Quiet | 580 | 161 | 341 |
| ARXH22KMTAP | Cooling | High | 1,150 | 319 | 677 |
| | | Med | 920 | 256 | 542 |
| | | Low | 800 | 222 | 471 |
| | | Quiet | 700 | 194 | 412 |
| | Heating | High | 1,150 | 319 | 677 |
| | | Med | 920 | 256 | 542 |
| | | Low | 800 | 222 | 471 |
| | | Quiet | 700 | 194 | 412 |

8-5. Wall mounted type

| Model | Operation mode | Fan speed | Airflow | | |
|------------|----------------|-----------|-------------------|-----|-----|
| | | | m ³ /h | l/s | CFM |
| ASYG07KGTB | Cooling | High | 650 | 181 | 383 |
| | | Med | 540 | 150 | 318 |
| | | Low | 430 | 119 | 253 |
| | | Quiet | 270 | 75 | 159 |
| | Heating | High | 720 | 200 | 424 |
| | | Med | 580 | 161 | 341 |
| | | Low | 460 | 128 | 271 |
| | | Quiet | 330 | 92 | 194 |
| ASYG09KGTB | Cooling | High | 700 | 194 | 412 |
| | | Med | 560 | 156 | 330 |
| | | Low | 430 | 119 | 253 |
| | | Quiet | 270 | 75 | 159 |
| | Heating | High | 750 | 208 | 441 |
| | | Med | 610 | 169 | 359 |
| | | Low | 470 | 131 | 277 |
| | | Quiet | 330 | 92 | 194 |
| ASYG12KGTB | Cooling | High | 700 | 194 | 412 |
| | | Med | 560 | 156 | 330 |
| | | Low | 430 | 119 | 253 |
| | | Quiet | 270 | 75 | 159 |
| | Heating | High | 770 | 214 | 453 |
| | | Med | 640 | 178 | 377 |
| | | Low | 520 | 144 | 306 |
| | | Quiet | 330 | 92 | 194 |
| ASYG14KGTB | Cooling | High | 770 | 214 | 453 |
| | | Med | 600 | 167 | 353 |
| | | Low | 450 | 125 | 265 |
| | | Quiet | 280 | 78 | 165 |
| | Heating | High | 800 | 222 | 471 |
| | | Med | 660 | 183 | 388 |
| | | Low | 520 | 144 | 306 |
| | | Quiet | 340 | 94 | 200 |
| ASYG07KGTE | Cooling | High | 650 | 181 | 383 |
| | | Med | 540 | 150 | 318 |
| | | Low | 430 | 119 | 253 |
| | | Quiet | 270 | 75 | 159 |
| | Heating | High | 720 | 200 | 424 |
| | | Med | 580 | 161 | 341 |
| | | Low | 460 | 128 | 271 |
| | | Quiet | 330 | 92 | 194 |
| ASYG09KGTE | Cooling | High | 700 | 194 | 412 |
| | | Med | 560 | 156 | 330 |
| | | Low | 430 | 119 | 253 |
| | | Quiet | 270 | 75 | 159 |
| | Heating | High | 750 | 208 | 441 |
| | | Med | 610 | 169 | 359 |
| | | Low | 470 | 131 | 277 |
| | | Quiet | 330 | 92 | 194 |

| Model | Operation mode | Fan speed | Airflow | | |
|------------|----------------|-----------|-------------------|-----|-----|
| | | | m ³ /h | l/s | CFM |
| ASYG12KGTE | Cooling | High | 700 | 194 | 412 |
| | | Med | 560 | 156 | 330 |
| | | Low | 430 | 119 | 253 |
| | | Quiet | 270 | 75 | 159 |
| | Heating | High | 770 | 214 | 453 |
| | | Med | 640 | 178 | 377 |
| | | Low | 520 | 144 | 306 |
| | | Quiet | 330 | 92 | 194 |
| ASYG14KGTE | Cooling | High | 770 | 214 | 453 |
| | | Med | 600 | 167 | 353 |
| | | Low | 450 | 125 | 265 |
| | | Quiet | 280 | 78 | 165 |
| | Heating | High | 800 | 222 | 471 |
| | | Med | 660 | 183 | 388 |
| | | Low | 520 | 144 | 306 |
| | | Quiet | 340 | 94 | 200 |
| ASYG07KGTF | Cooling | High | 650 | 181 | 383 |
| | | Med | 540 | 150 | 318 |
| | | Low | 430 | 119 | 253 |
| | | Quiet | 270 | 75 | 159 |
| | Heating | High | 720 | 200 | 424 |
| | | Med | 580 | 161 | 341 |
| | | Low | 460 | 128 | 271 |
| | | Quiet | 330 | 92 | 194 |
| ASYG09KGTF | Cooling | High | 700 | 194 | 412 |
| | | Med | 560 | 156 | 330 |
| | | Low | 430 | 119 | 253 |
| | | Quiet | 270 | 75 | 159 |
| | Heating | High | 750 | 208 | 441 |
| | | Med | 610 | 169 | 359 |
| | | Low | 470 | 131 | 277 |
| | | Quiet | 330 | 92 | 194 |
| ASYG12KGTF | Cooling | High | 700 | 194 | 412 |
| | | Med | 560 | 156 | 330 |
| | | Low | 430 | 119 | 253 |
| | | Quiet | 270 | 75 | 159 |
| | Heating | High | 770 | 214 | 453 |
| | | Med | 640 | 178 | 377 |
| | | Low | 520 | 144 | 306 |
| | | Quiet | 330 | 92 | 194 |
| ASYG14KGTF | Cooling | High | 770 | 214 | 453 |
| | | Med | 600 | 167 | 353 |
| | | Low | 450 | 125 | 265 |
| | | Quiet | 280 | 78 | 165 |
| | Heating | High | 800 | 222 | 471 |
| | | Med | 660 | 183 | 388 |
| | | Low | 520 | 144 | 306 |
| | | Quiet | 340 | 94 | 200 |

| Model | Operation mode | Fan speed | Airflow | | |
|------------|----------------|-----------|-------------------|-----|-----|
| | | | m ³ /h | l/s | CFM |
| ASYG18KMTB | Cooling | High | 980 | 272 | 577 |
| | | Med | 810 | 225 | 477 |
| | | Low | 640 | 178 | 377 |
| | | Quiet | 510 | 142 | 300 |
| | Heating | High | 1,020 | 283 | 600 |
| | | Med | 850 | 236 | 500 |
| | | Low | 640 | 178 | 377 |
| | | Quiet | 510 | 142 | 300 |
| ASYG22KMTB | Cooling | High | 1,060 | 294 | 624 |
| | | Med | 810 | 225 | 477 |
| | | Low | 640 | 178 | 377 |
| | | Quiet | 510 | 142 | 300 |
| | Heating | High | 1,060 | 294 | 624 |
| | | Med | 850 | 236 | 500 |
| | | Low | 640 | 178 | 377 |
| | | Quiet | 510 | 142 | 300 |
| ASYG24KMTB | Cooling | High | 1,170 | 325 | 689 |
| | | Med | 850 | 236 | 500 |
| | | Low | 640 | 178 | 377 |
| | | Quiet | 510 | 142 | 300 |
| | Heating | High | 1,170 | 325 | 689 |
| | | Med | 850 | 236 | 500 |
| | | Low | 640 | 178 | 377 |
| | | Quiet | 510 | 142 | 300 |
| ASYG18KMTE | Cooling | High | 980 | 272 | 577 |
| | | Med | 810 | 225 | 477 |
| | | Low | 640 | 178 | 377 |
| | | Quiet | 510 | 142 | 300 |
| | Heating | High | 1,020 | 283 | 600 |
| | | Med | 850 | 236 | 500 |
| | | Low | 640 | 178 | 377 |
| | | Quiet | 510 | 142 | 300 |
| ASYG22KMTE | Cooling | High | 1,060 | 294 | 624 |
| | | Med | 810 | 225 | 477 |
| | | Low | 640 | 178 | 377 |
| | | Quiet | 510 | 142 | 300 |
| | Heating | High | 1,060 | 294 | 624 |
| | | Med | 850 | 236 | 500 |
| | | Low | 640 | 178 | 377 |
| | | Quiet | 510 | 142 | 300 |
| ASYG24KMTE | Cooling | High | 1,170 | 325 | 689 |
| | | Med | 850 | 236 | 500 |
| | | Low | 640 | 178 | 377 |
| | | Quiet | 510 | 142 | 300 |
| | Heating | High | 1,170 | 325 | 689 |
| | | Med | 850 | 236 | 500 |
| | | Low | 640 | 178 | 377 |
| | | Quiet | 510 | 142 | 300 |

| Model | Operation mode | Fan speed | Airflow | | |
|------------|----------------|-----------|-------------------|-----|-----|
| | | | m ³ /h | l/s | CFM |
| ASYG07KMTB | Cooling | High | 650 | 181 | 383 |
| | | Med | 540 | 150 | 318 |
| | | Low | 430 | 119 | 253 |
| | | Quiet | 270 | 75 | 159 |
| | Heating | High | 720 | 200 | 424 |
| | | Med | 580 | 161 | 341 |
| | | Low | 460 | 128 | 271 |
| | | Quiet | 330 | 92 | 194 |
| ASYG09KMTB | Cooling | High | 700 | 194 | 412 |
| | | Med | 560 | 156 | 330 |
| | | Low | 430 | 119 | 253 |
| | | Quiet | 270 | 75 | 159 |
| | Heating | High | 750 | 208 | 441 |
| | | Med | 610 | 169 | 359 |
| | | Low | 470 | 131 | 277 |
| | | Quiet | 330 | 92 | 194 |
| ASYG12KMTB | Cooling | High | 700 | 194 | 412 |
| | | Med | 560 | 156 | 330 |
| | | Low | 430 | 119 | 253 |
| | | Quiet | 270 | 75 | 159 |
| | Heating | High | 770 | 214 | 453 |
| | | Med | 640 | 178 | 377 |
| | | Low | 520 | 144 | 306 |
| | | Quiet | 330 | 92 | 194 |
| ASYG14KMTB | Cooling | High | 770 | 214 | 453 |
| | | Med | 600 | 167 | 353 |
| | | Low | 450 | 125 | 265 |
| | | Quiet | 280 | 78 | 165 |
| | Heating | High | 800 | 222 | 471 |
| | | Med | 660 | 183 | 388 |
| | | Low | 520 | 144 | 306 |
| | | Quiet | 340 | 94 | 200 |
| ASYG07KMCC | Cooling | High | 650 | 181 | 383 |
| | | Med | 540 | 150 | 318 |
| | | Low | 430 | 119 | 253 |
| | | Quiet | 320 | 89 | 188 |
| | Heating | High | 720 | 200 | 424 |
| | | Med | 580 | 161 | 341 |
| | | Low | 460 | 128 | 271 |
| | | Quiet | 330 | 92 | 194 |
| ASYG09KMCC | Cooling | High | 700 | 194 | 412 |
| | | Med | 560 | 156 | 330 |
| | | Low | 430 | 119 | 253 |
| | | Quiet | 320 | 89 | 188 |
| | Heating | High | 750 | 208 | 441 |
| | | Med | 610 | 169 | 359 |
| | | Low | 470 | 131 | 277 |
| | | Quiet | 330 | 92 | 194 |

| Model | Operation mode | Fan speed | Airflow | | |
|------------|----------------|-----------|-------------------|-----|-----|
| | | | m ³ /h | l/s | CFM |
| ASYG12KMCC | Cooling | High | 700 | 194 | 412 |
| | | Med | 560 | 156 | 330 |
| | | Low | 430 | 119 | 253 |
| | | Quiet | 320 | 89 | 188 |
| | Heating | High | 780 | 217 | 459 |
| | | Med | 640 | 178 | 377 |
| | | Low | 520 | 144 | 306 |
| | | Quiet | 330 | 92 | 194 |
| ASYG14KMCC | Cooling | High | 770 | 214 | 453 |
| | | Med | 600 | 167 | 353 |
| | | Low | 450 | 125 | 265 |
| | | Quiet | 310 | 86 | 182 |
| | Heating | High | 820 | 228 | 483 |
| | | Med | 660 | 183 | 388 |
| | | Low | 520 | 144 | 306 |
| | | Quiet | 340 | 94 | 200 |
| ASYG07KMCE | Cooling | High | 650 | 181 | 383 |
| | | Med | 540 | 150 | 318 |
| | | Low | 430 | 119 | 253 |
| | | Quiet | 320 | 89 | 188 |
| | Heating | High | 720 | 200 | 424 |
| | | Med | 580 | 161 | 341 |
| | | Low | 460 | 128 | 271 |
| | | Quiet | 330 | 92 | 194 |
| ASYG09KMCE | Cooling | High | 700 | 194 | 412 |
| | | Med | 560 | 156 | 330 |
| | | Low | 430 | 119 | 253 |
| | | Quiet | 320 | 89 | 188 |
| | Heating | High | 750 | 208 | 441 |
| | | Med | 610 | 169 | 359 |
| | | Low | 470 | 131 | 277 |
| | | Quiet | 330 | 92 | 194 |
| ASYG12KMCE | Cooling | High | 700 | 194 | 412 |
| | | Med | 560 | 156 | 330 |
| | | Low | 430 | 119 | 253 |
| | | Quiet | 320 | 89 | 188 |
| | Heating | High | 780 | 217 | 459 |
| | | Med | 640 | 178 | 377 |
| | | Low | 520 | 144 | 306 |
| | | Quiet | 330 | 92 | 194 |
| ASYG14KMCE | Cooling | High | 770 | 214 | 453 |
| | | Med | 600 | 167 | 353 |
| | | Low | 450 | 125 | 265 |
| | | Quiet | 310 | 86 | 182 |
| | Heating | High | 820 | 228 | 483 |
| | | Med | 660 | 183 | 388 |
| | | Low | 520 | 144 | 306 |
| | | Quiet | 340 | 94 | 200 |

| Model | Operation mode | Fan speed | Airflow | | |
|----------------------------|----------------|-----------|-------------------|-----|-----|
| | | | m ³ /h | l/s | CFM |
| ASYG07KMCF | Cooling | High | 650 | 181 | 383 |
| | | Med | 540 | 150 | 318 |
| | | Low | 430 | 119 | 253 |
| | | Quiet | 320 | 89 | 188 |
| | Heating | High | 720 | 200 | 424 |
| | | Med | 580 | 161 | 341 |
| | | Low | 460 | 128 | 271 |
| | | Quiet | 330 | 92 | 194 |
| ASYG09KMCF | Cooling | High | 700 | 194 | 412 |
| | | Med | 560 | 156 | 330 |
| | | Low | 430 | 119 | 253 |
| | | Quiet | 320 | 89 | 188 |
| | Heating | High | 750 | 208 | 441 |
| | | Med | 610 | 169 | 359 |
| | | Low | 470 | 131 | 277 |
| | | Quiet | 330 | 92 | 194 |
| ASYG12KMCF | Cooling | High | 700 | 194 | 412 |
| | | Med | 560 | 156 | 330 |
| | | Low | 430 | 119 | 253 |
| | | Quiet | 320 | 89 | 188 |
| | Heating | High | 780 | 217 | 459 |
| | | Med | 640 | 178 | 377 |
| | | Low | 520 | 144 | 306 |
| | | Quiet | 330 | 92 | 194 |
| ASYG14KMCF | Cooling | High | 770 | 214 | 453 |
| | | Med | 600 | 167 | 353 |
| | | Low | 450 | 125 | 265 |
| | | Quiet | 310 | 86 | 182 |
| | Heating | High | 820 | 228 | 483 |
| | | Med | 660 | 183 | 388 |
| | | Low | 520 | 144 | 306 |
| | | Quiet | 340 | 94 | 200 |
| ASYG07KETA ASYG07KETA-B | Cooling | High | 650 | 181 | 383 |
| | | Med | 540 | 150 | 318 |
| | | Low | 430 | 119 | 253 |
| | | Quiet | 270 | 75 | 159 |
| | Heating | High | 720 | 200 | 424 |
| | | Med | 580 | 161 | 341 |
| | | Low | 460 | 128 | 271 |
| | | Quiet | 330 | 92 | 194 |
| ASYG09KETA ASYG09KETA-B | Cooling | High | 700 | 194 | 412 |
| | | Med | 560 | 156 | 330 |
| | | Low | 430 | 119 | 253 |
| | | Quiet | 270 | 75 | 159 |
| | Heating | High | 750 | 208 | 441 |
| | | Med | 610 | 169 | 359 |
| | | Low | 470 | 131 | 277 |
| | | Quiet | 330 | 92 | 194 |

| Model | Operation mode | Fan speed | Airflow | | |
|----------------------------|----------------|-----------|-------------------|-----|-----|
| | | | m ³ /h | l/s | CFM |
| ASYG12KETA ASYG12KETA-B | Cooling | High | 700 | 194 | 412 |
| | | Med | 560 | 156 | 330 |
| | | Low | 430 | 119 | 253 |
| | | Quiet | 270 | 75 | 159 |
| | Heating | High | 770 | 214 | 453 |
| | | Med | 640 | 178 | 377 |
| | | Low | 520 | 144 | 306 |
| | | Quiet | 330 | 92 | 194 |
| ASYG14KETA ASYG14KETA-B | Cooling | High | 770 | 214 | 453 |
| | | Med | 600 | 167 | 353 |
| | | Low | 450 | 125 | 265 |
| | | Quiet | 280 | 78 | 165 |
| | Heating | High | 800 | 222 | 471 |
| | | Med | 660 | 183 | 388 |
| | | Low | 520 | 144 | 306 |
| | | Quiet | 340 | 94 | 200 |
| ASYG07KETE ASYG07KETE-B | Cooling | High | 650 | 181 | 383 |
| | | Med | 540 | 150 | 318 |
| | | Low | 430 | 119 | 253 |
| | | Quiet | 270 | 75 | 159 |
| | Heating | High | 720 | 200 | 424 |
| | | Med | 580 | 161 | 341 |
| | | Low | 460 | 128 | 271 |
| | | Quiet | 330 | 92 | 194 |
| ASYG09KETE ASYG09KETE-B | Cooling | High | 700 | 194 | 412 |
| | | Med | 560 | 156 | 330 |
| | | Low | 430 | 119 | 253 |
| | | Quiet | 270 | 75 | 159 |
| | Heating | High | 750 | 208 | 441 |
| | | Med | 610 | 169 | 359 |
| | | Low | 470 | 131 | 277 |
| | | Quiet | 330 | 92 | 194 |
| ASYG12KETE ASYG12KETE-B | Cooling | High | 700 | 194 | 412 |
| | | Med | 560 | 156 | 330 |
| | | Low | 430 | 119 | 253 |
| | | Quiet | 270 | 75 | 159 |
| | Heating | High | 770 | 214 | 453 |
| | | Med | 640 | 178 | 377 |
| | | Low | 520 | 144 | 306 |
| | | Quiet | 330 | 92 | 194 |
| ASYG14KETE ASYG14KETE-B | Cooling | High | 770 | 214 | 453 |
| | | Med | 600 | 167 | 353 |
| | | Low | 450 | 125 | 265 |
| | | Quiet | 280 | 78 | 165 |
| | Heating | High | 800 | 222 | 471 |
| | | Med | 660 | 183 | 388 |
| | | Low | 520 | 144 | 306 |
| | | Quiet | 340 | 94 | 200 |

| Model | Operation mode | Fan speed | Airflow | | |
|----------------------------|----------------|-----------|-------------------|-----|-----|
| | | | m ³ /h | l/s | CFM |
| ASYG07KETF ASYG07KETF-B | Cooling | High | 650 | 181 | 383 |
| | | Med | 540 | 150 | 318 |
| | | Low | 430 | 119 | 253 |
| | | Quiet | 270 | 75 | 159 |
| | Heating | High | 720 | 200 | 424 |
| | | Med | 580 | 161 | 341 |
| | | Low | 460 | 128 | 271 |
| | | Quiet | 330 | 92 | 194 |
| ASYG09KETF ASYG09KETF-B | Cooling | High | 700 | 194 | 412 |
| | | Med | 560 | 156 | 330 |
| | | Low | 430 | 119 | 253 |
| | | Quiet | 270 | 75 | 159 |
| | Heating | High | 750 | 208 | 441 |
| | | Med | 610 | 169 | 359 |
| | | Low | 470 | 131 | 277 |
| | | Quiet | 330 | 92 | 194 |
| ASYG12KETF ASYG12KETF-B | Cooling | High | 700 | 194 | 412 |
| | | Med | 560 | 156 | 330 |
| | | Low | 430 | 119 | 253 |
| | | Quiet | 270 | 75 | 159 |
| | Heating | High | 770 | 214 | 453 |
| | | Med | 640 | 178 | 377 |
| | | Low | 520 | 144 | 306 |
| | | Quiet | 330 | 92 | 194 |
| ASYG14KETF ASYG14KETF-B | Cooling | High | 770 | 214 | 453 |
| | | Med | 600 | 167 | 353 |
| | | Low | 450 | 125 | 265 |
| | | Quiet | 280 | 78 | 165 |
| | Heating | High | 800 | 222 | 471 |
| | | Med | 660 | 183 | 388 |
| | | Low | 520 | 144 | 306 |
| | | Quiet | 340 | 94 | 200 |

8-6. Ceiling type

| Model | Operation mode | Fan speed | Airflow | | |
|------------|----------------|-----------|-------------------|-----|-----|
| | | | m ³ /h | l/s | CFM |
| ABYG18KRTA | Cooling | High | 840 | 233 | 494 |
| | | Med | 790 | 219 | 465 |
| | | Low | 710 | 197 | 418 |
| | | Quiet | 650 | 181 | 383 |
| | Heating | High | 840 | 233 | 494 |
| | | Med | 790 | 219 | 465 |
| | | Low | 710 | 197 | 418 |
| | | Quiet | 650 | 181 | 383 |
| ABYG22KRTA | Cooling | High | 900 | 250 | 530 |
| | | Med | 790 | 219 | 465 |
| | | Low | 710 | 197 | 418 |
| | | Quiet | 650 | 181 | 383 |
| | Heating | High | 900 | 250 | 530 |
| | | Med | 790 | 219 | 465 |
| | | Low | 710 | 197 | 418 |
| | | Quiet | 650 | 181 | 383 |

8-7. Floor type

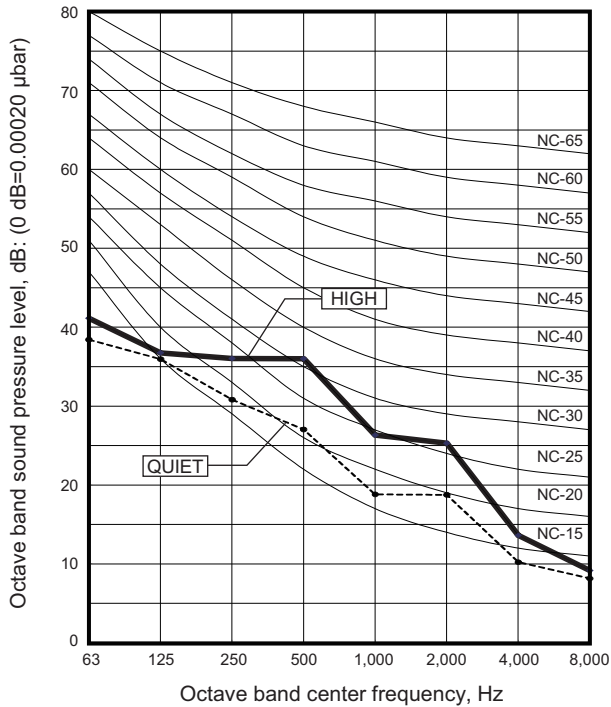
| Model | Operation mode | Fan speed | Airflow | | |
|------------|----------------|-----------|-------------------|-----|-----|
| | | | m ³ /h | l/s | CFM |
| AGYG09KVCA | Cooling | High | 530 | 147 | 312 |
| | | Med | 440 | 111 | 235 |
| | | Low | 360 | 100 | 212 |
| | | Quiet | 270 | 75 | 159 |
| | Heating | High | 530 | 147 | 312 |
| | | Med | 460 | 128 | 271 |
| | | Low | 380 | 106 | 224 |
| | | Quiet | 270 | 75 | 159 |
| AGYG12KVCA | Cooling | High | 600 | 167 | 353 |
| | | Med | 490 | 136 | 288 |
| | | Low | 380 | 106 | 224 |
| | | Quiet | 270 | 75 | 159 |
| | Heating | High | 600 | 167 | 353 |
| | | Med | 510 | 142 | 300 |
| | | Low | 410 | 114 | 241 |
| | | Quiet | 270 | 75 | 159 |
| AGYG14KVCA | Cooling | High | 650 | 181 | 383 |
| | | Med | 520 | 144 | 306 |
| | | Low | 400 | 131 | 277 |
| | | Quiet | 270 | 75 | 159 |
| | Heating | High | 650 | 181 | 383 |
| | | Med | 540 | 150 | 318 |
| | | Low | 430 | 119 | 253 |
| | | Quiet | 270 | 75 | 159 |

9. Noise level curve

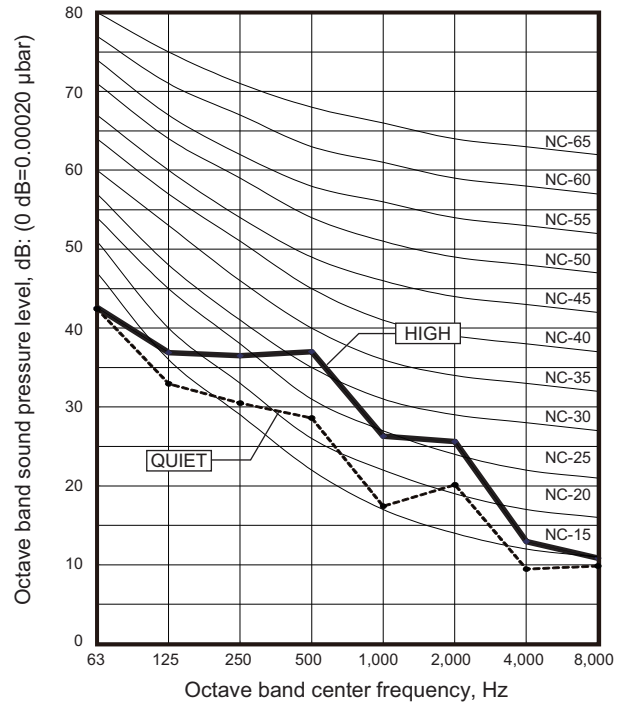
9-1. Compact cassette type

Model: AUXG07KVLA

Cooling

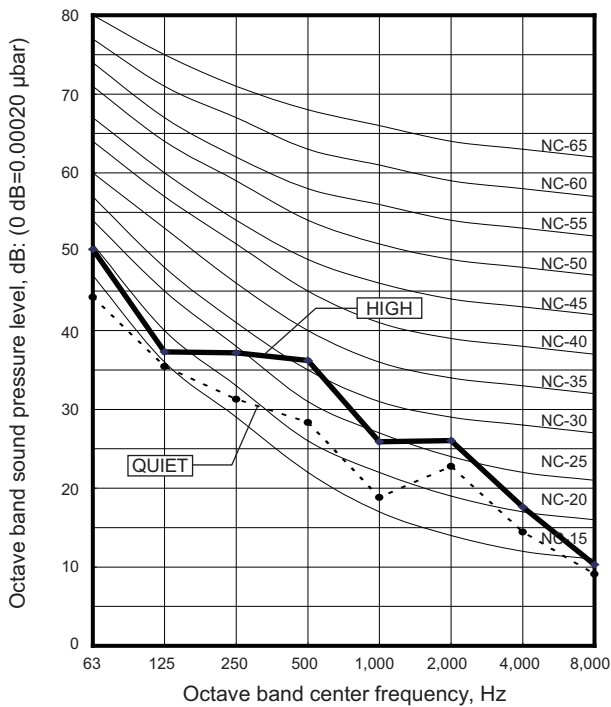


Heating

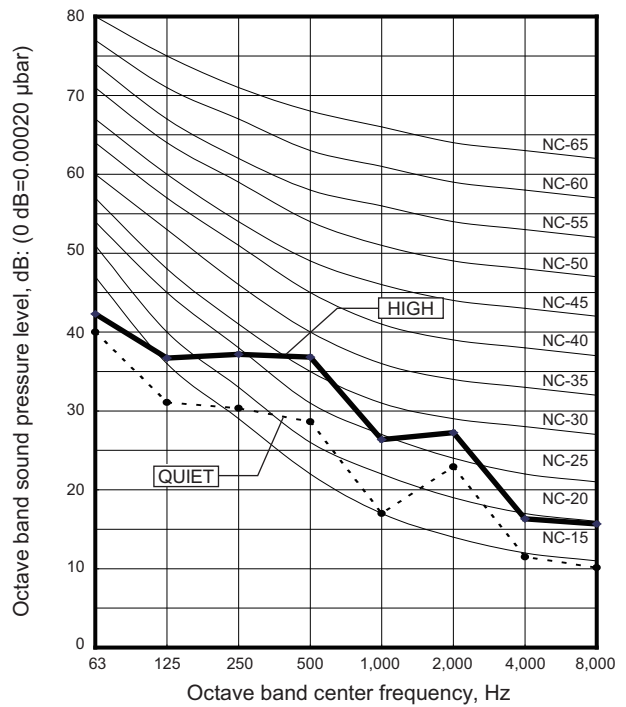


Model: AUXG09KVLA

Cooling

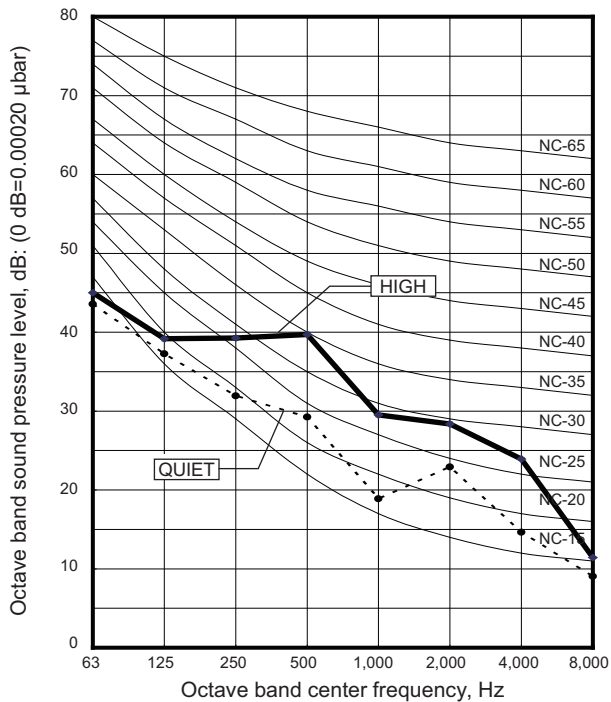


Heating

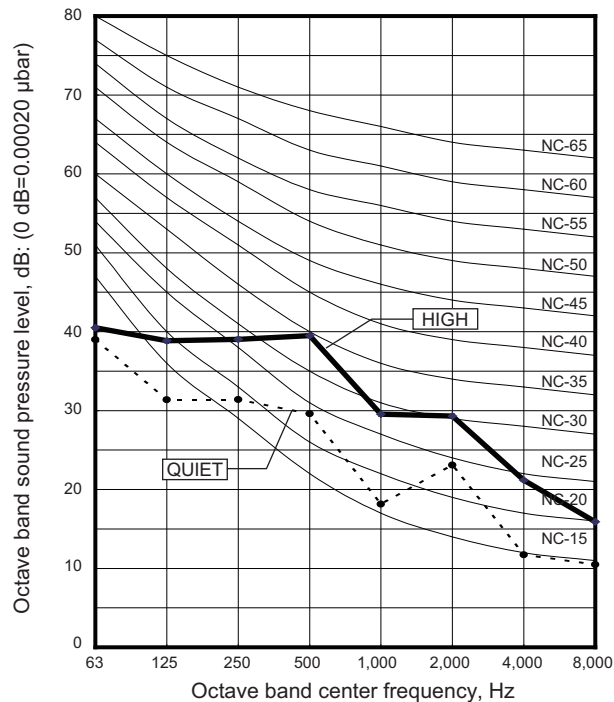


Model: AUXG12KVLA

Cooling

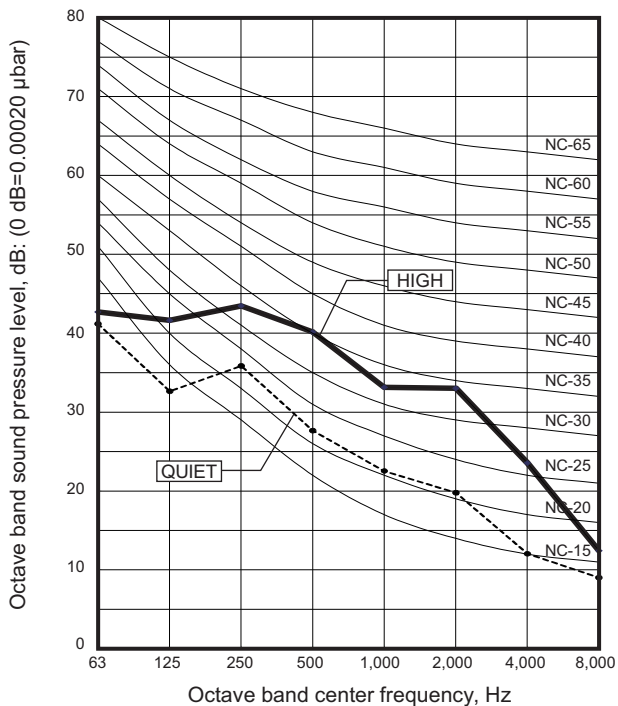


Heating

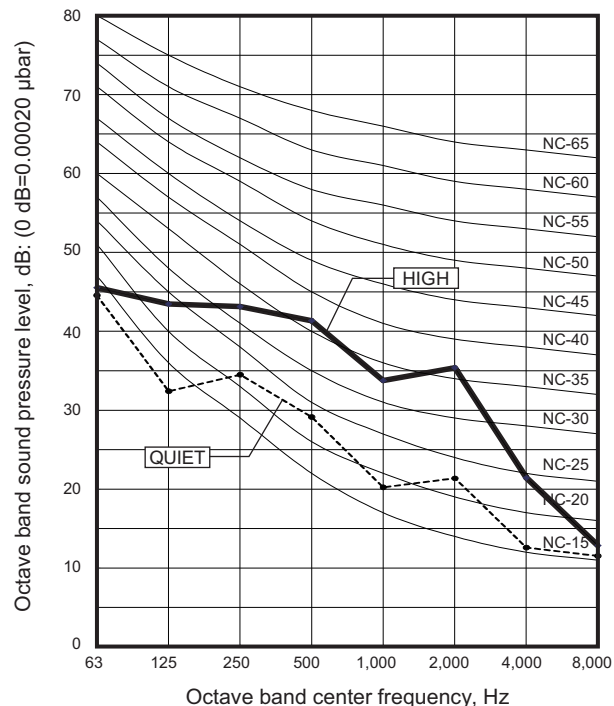


Model: AUXG14KVLA

Cooling

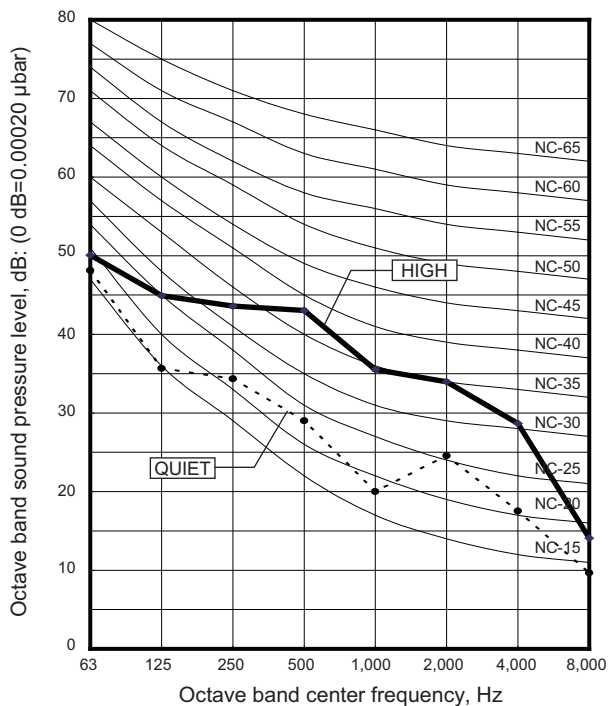


Heating

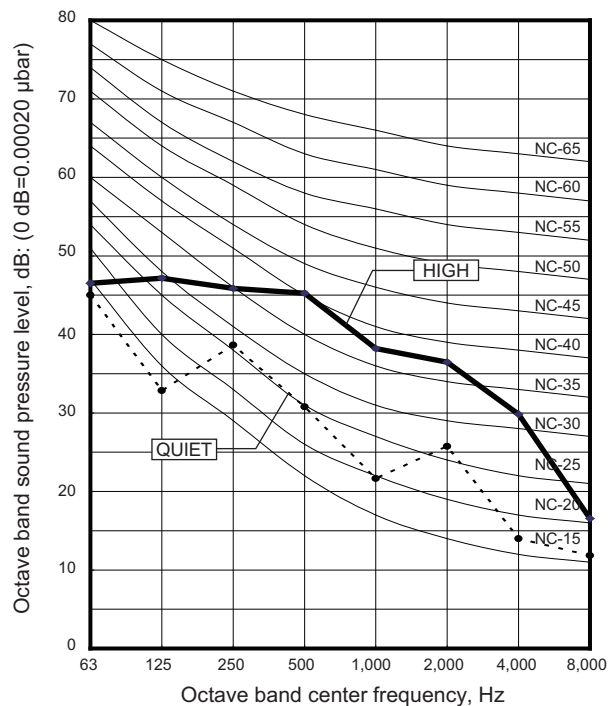


Model: AUXG18KVLA

Cooling

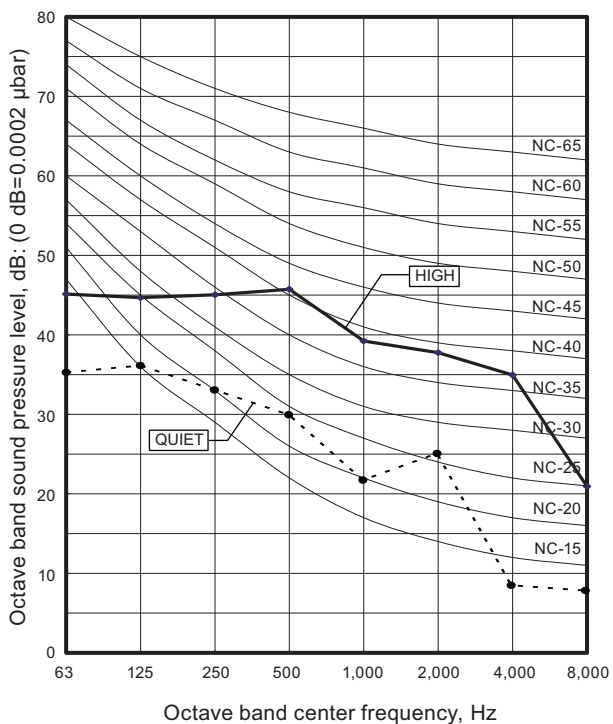


Heating

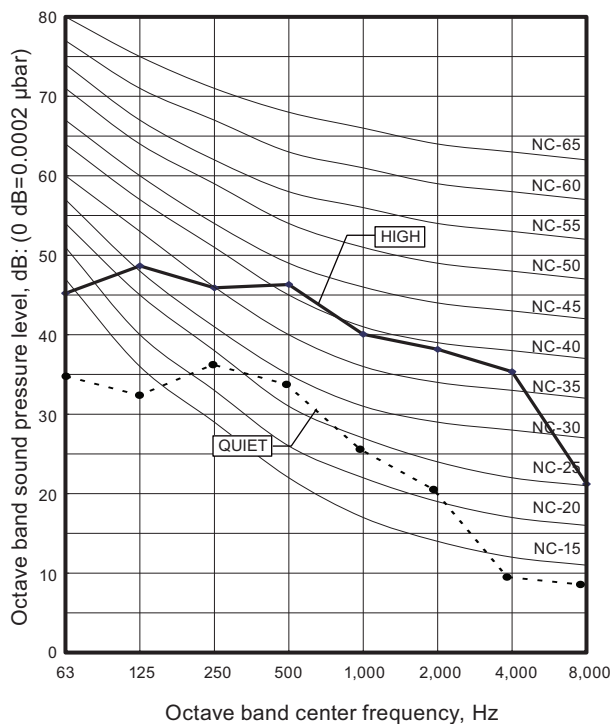


Model: AUXG22KVLA

Cooling



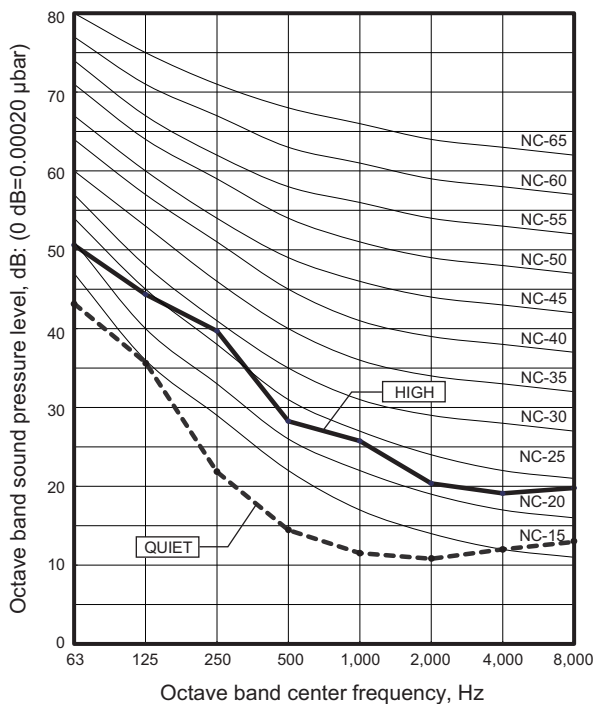
Heating



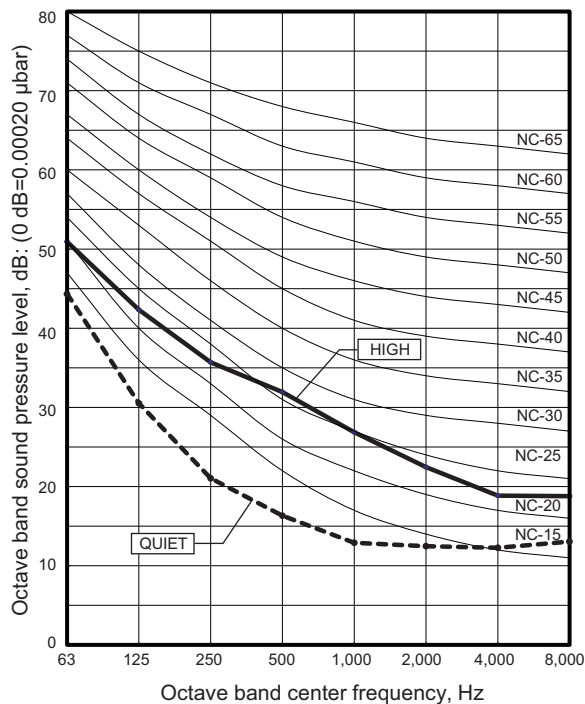
9-2. Mini duct type

Model: ARXG07KSLAP

● Cooling

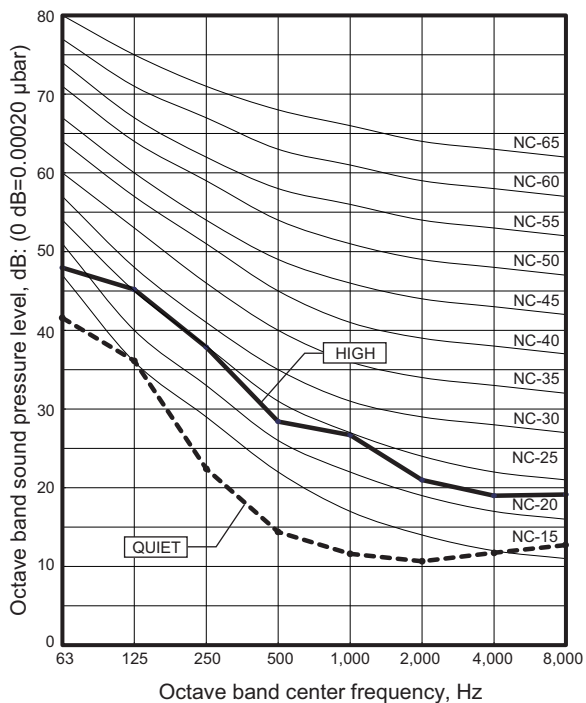


● Heating

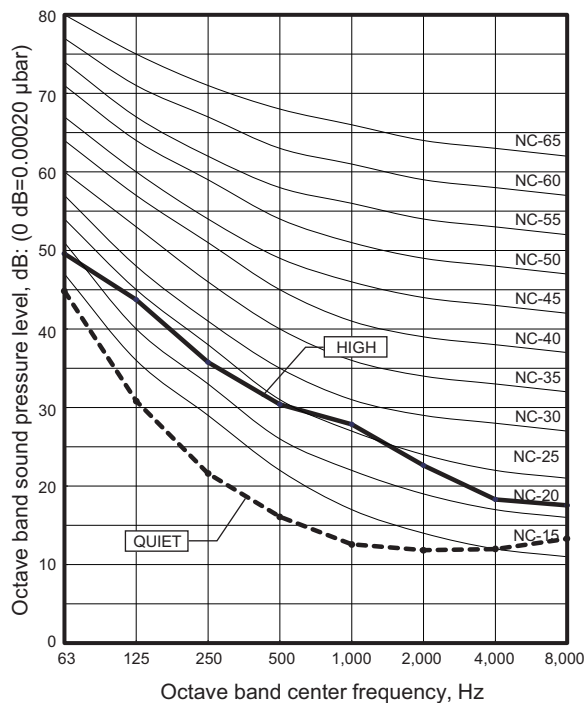


Model: ARXG09KSLAP

● Cooling

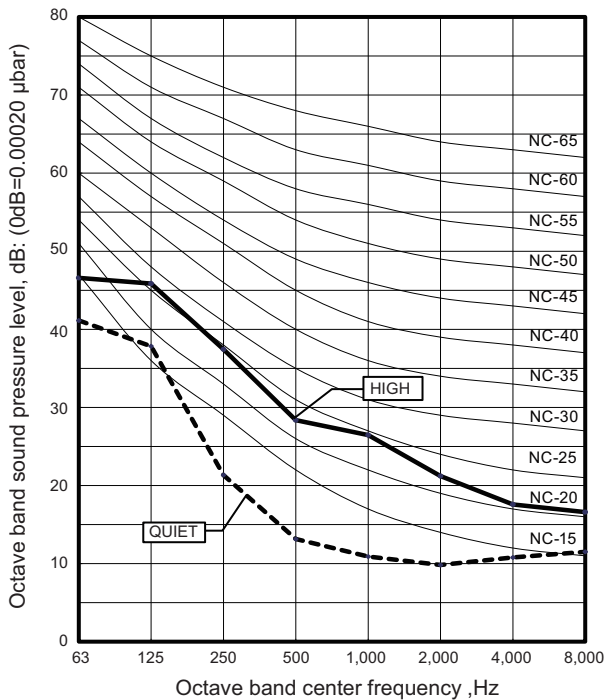


● Heating

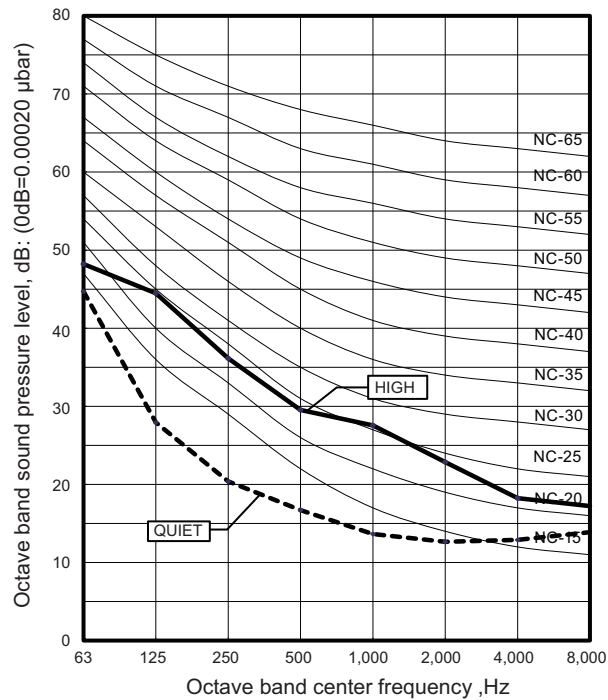


Model: ARXG12KSLAP

Cooling

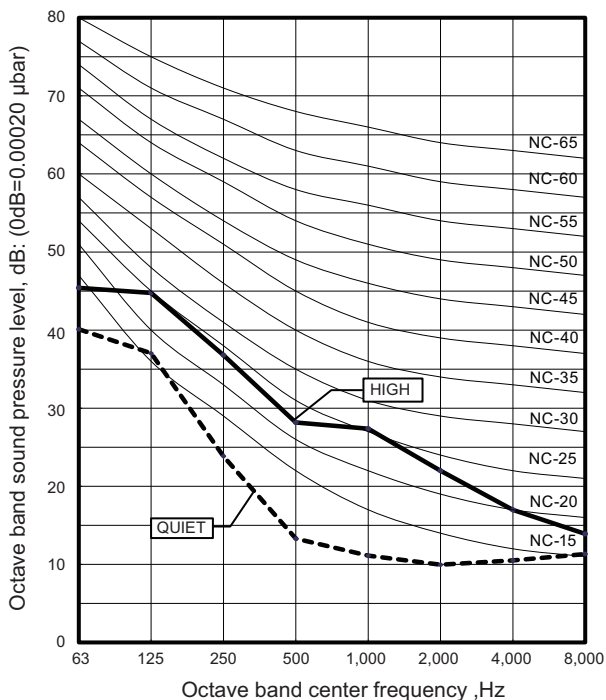


Heating

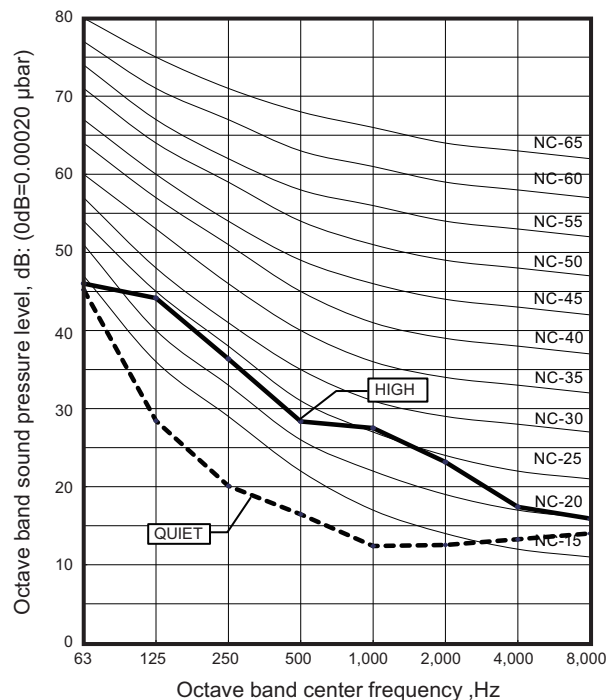


Model: ARXG14KSLAP

Cooling

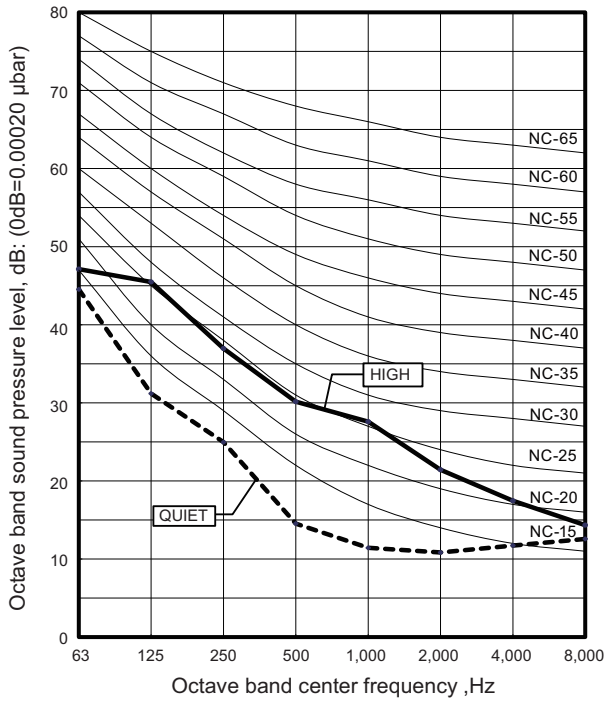


Heating

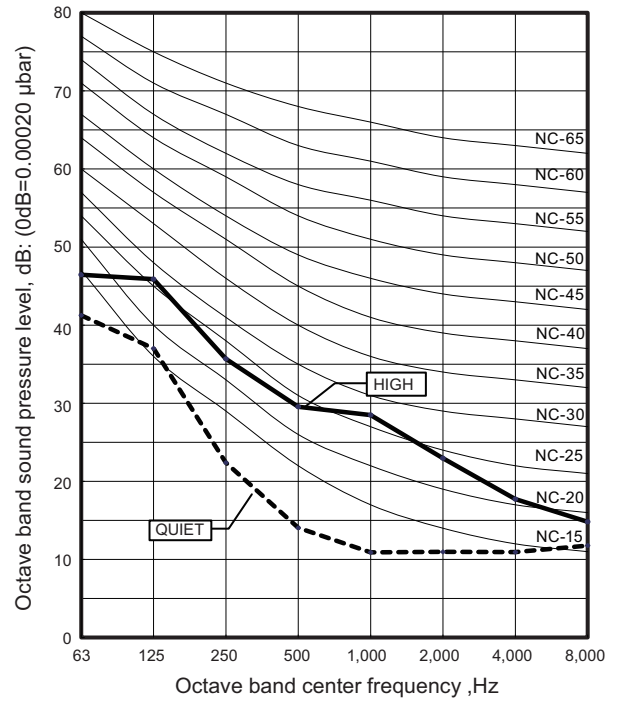


Model: ARXG18KSLAP

● Cooling



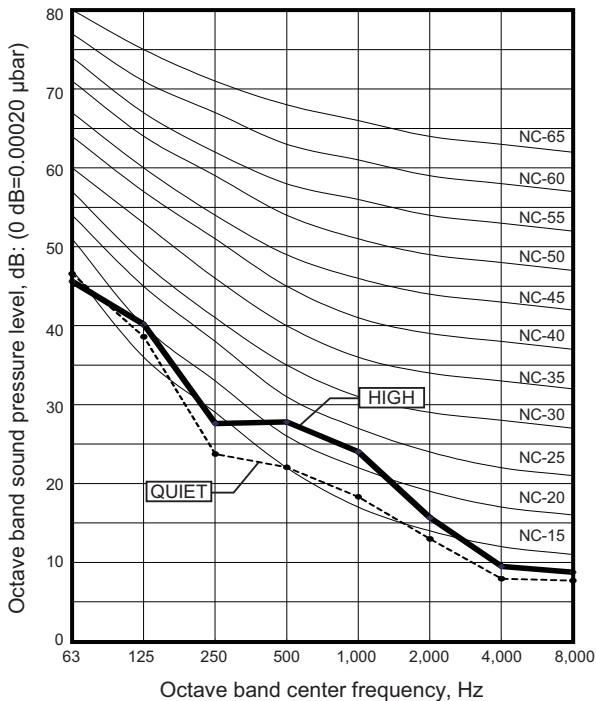
● Heating



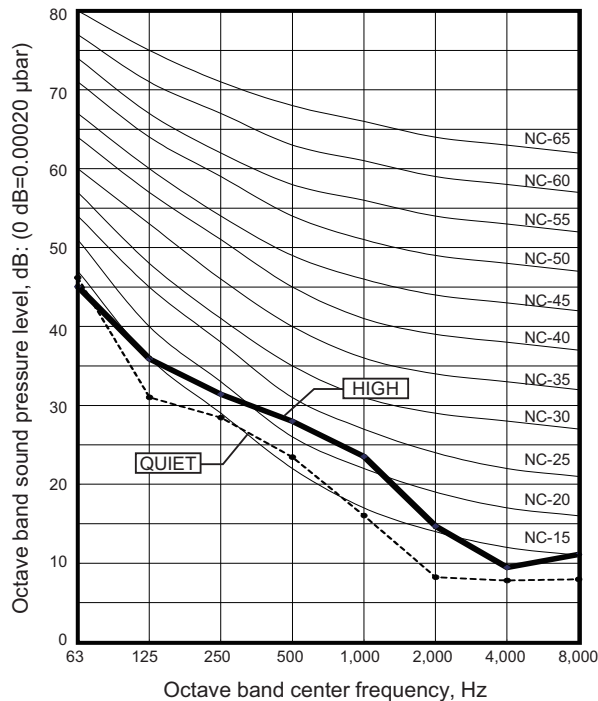
9-3. Slim duct type

Model: ARXG07KLLAP

● Cooling

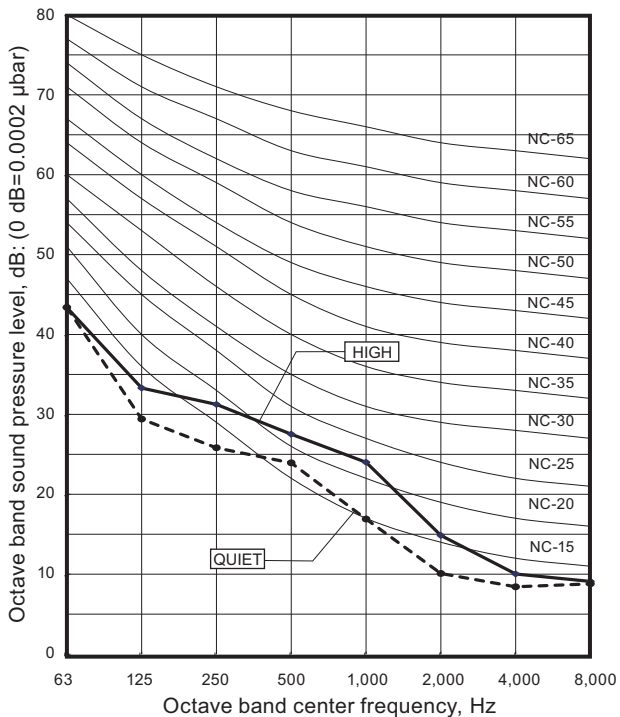


● Heating

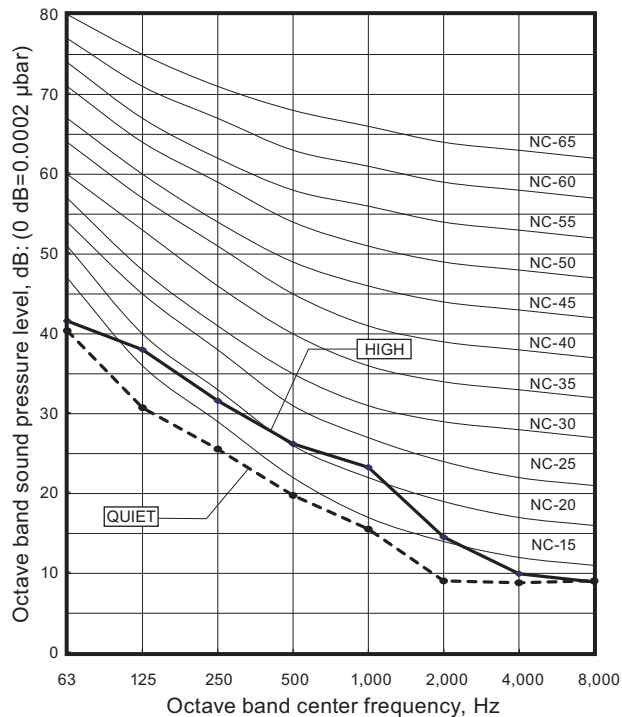


Model: ARXG09KLLAP

● Cooling

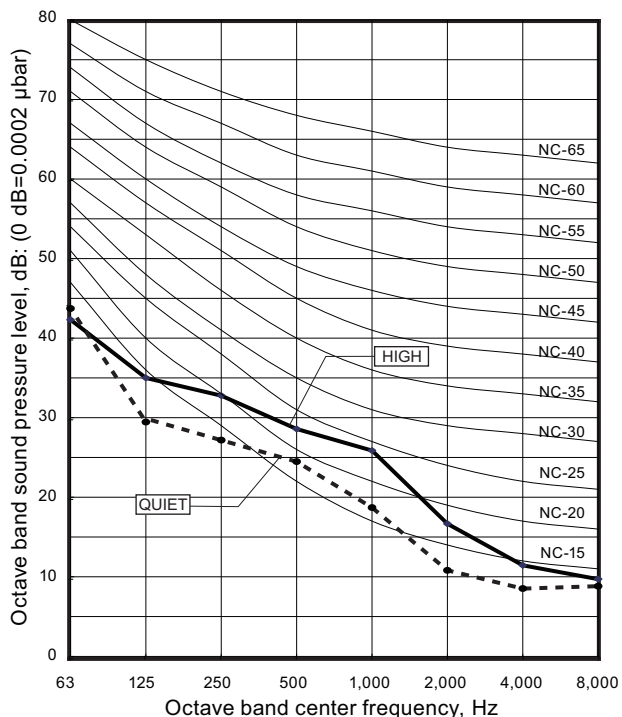


● Heating

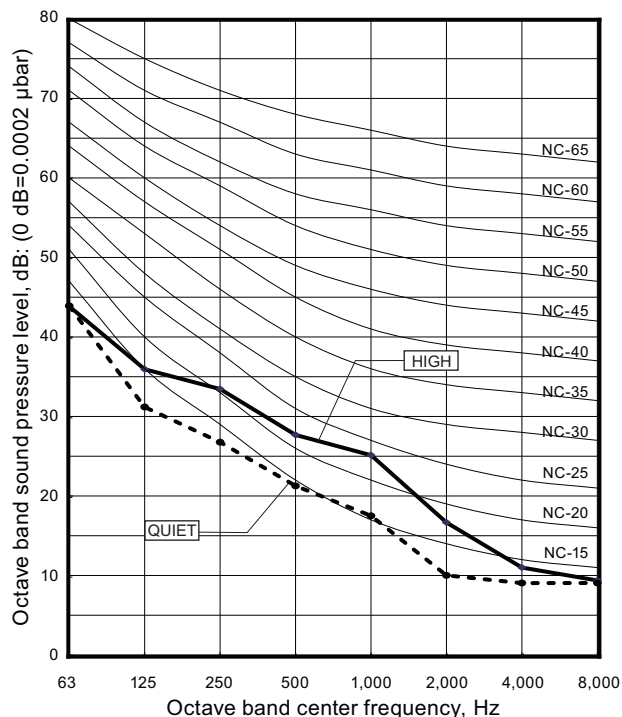


Model: ARXG12KLLAP

Cooling

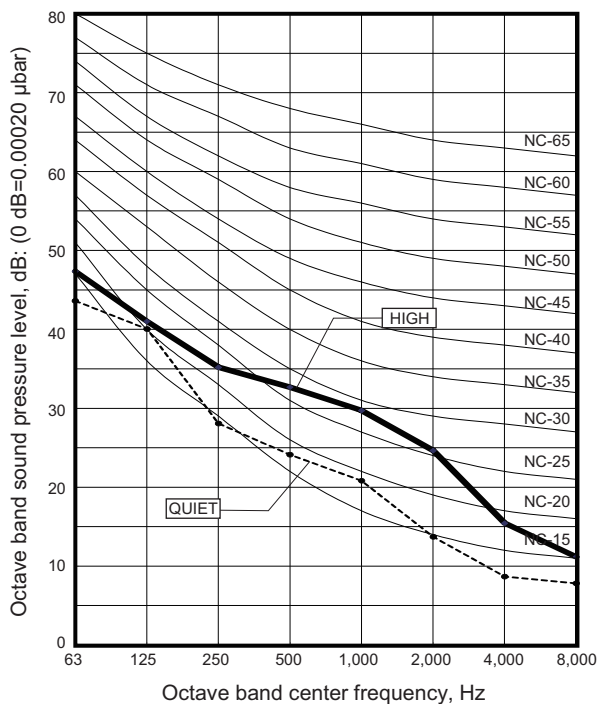


Heating

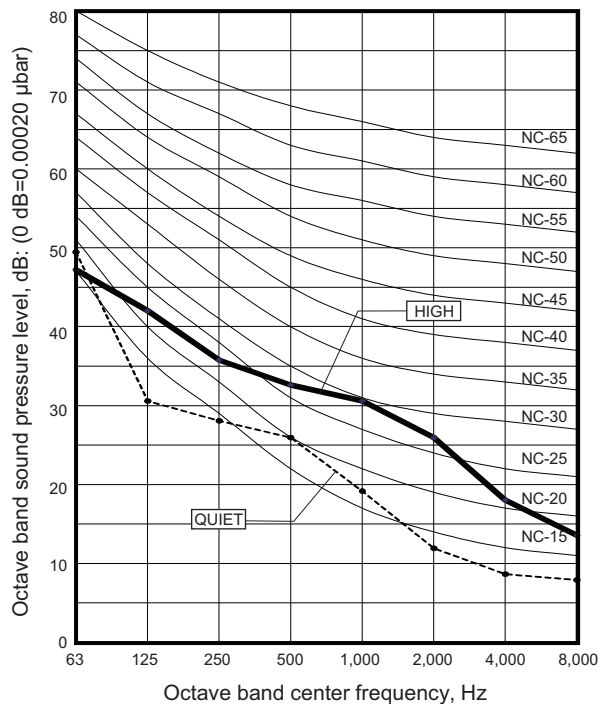


Model: ARXG14KLLAP

Cooling

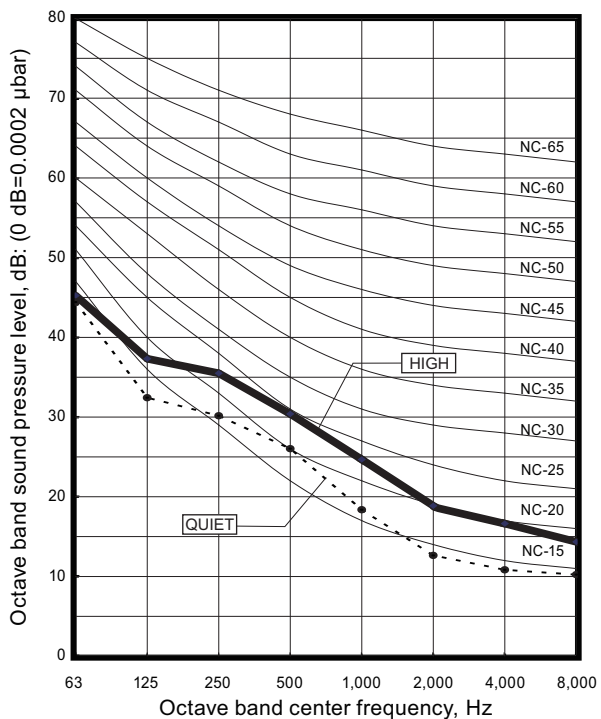


Heating

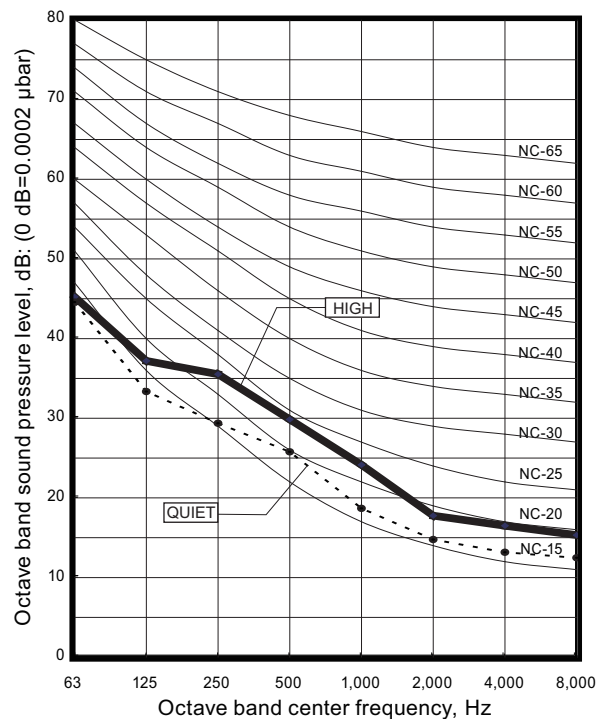


■ Model: ARXG18KLLAP

● Cooling



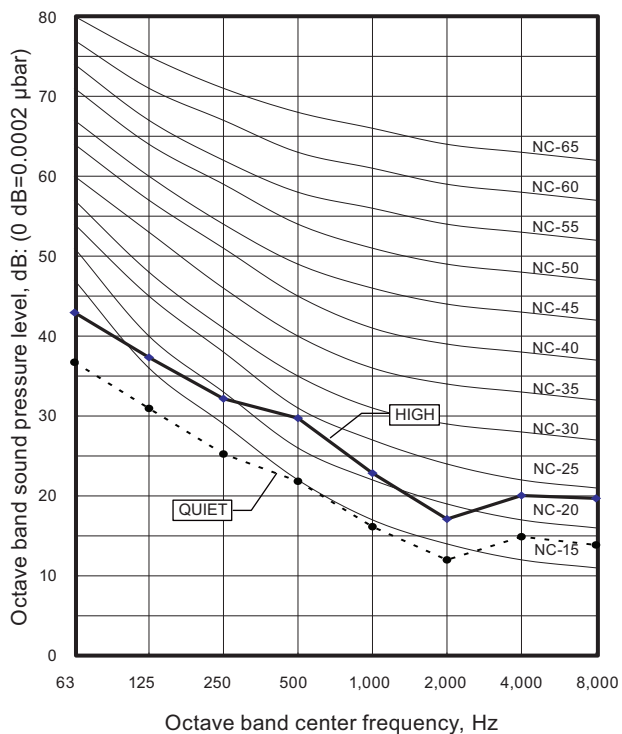
● Heating



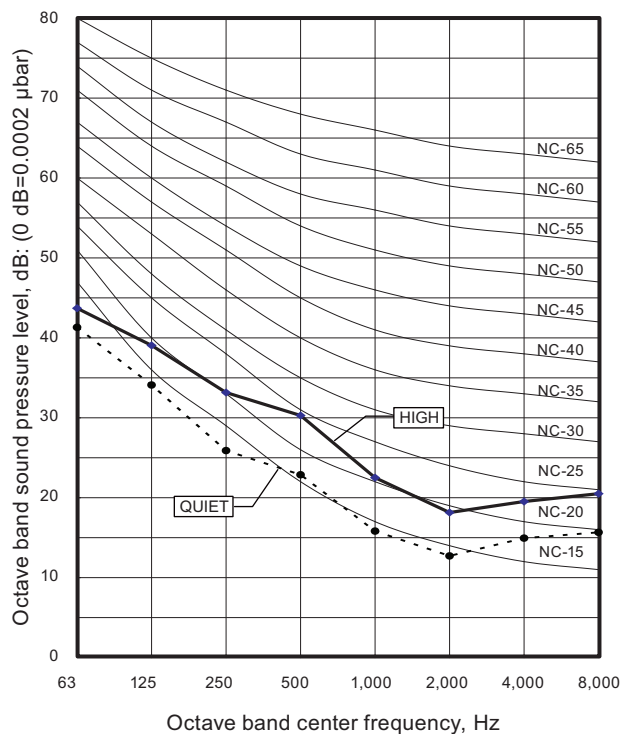
9-4. Medium static pressure duct type

Model: ARXG22KMLB

Cooling

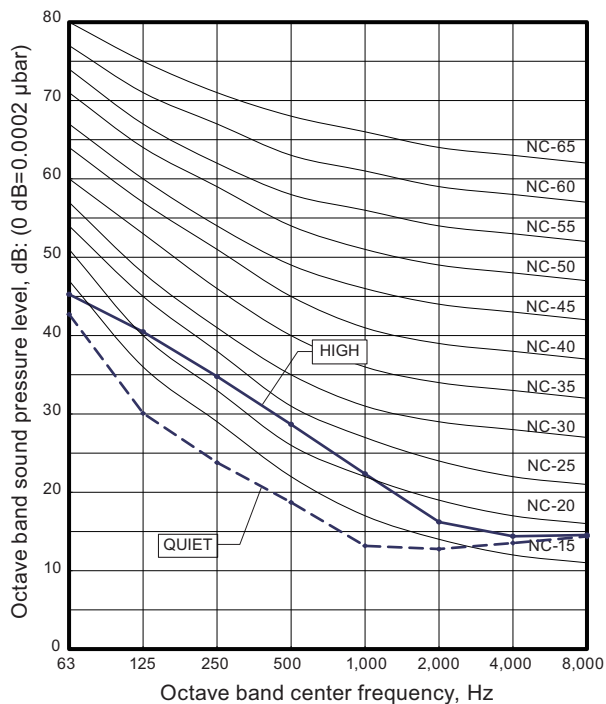


Heating

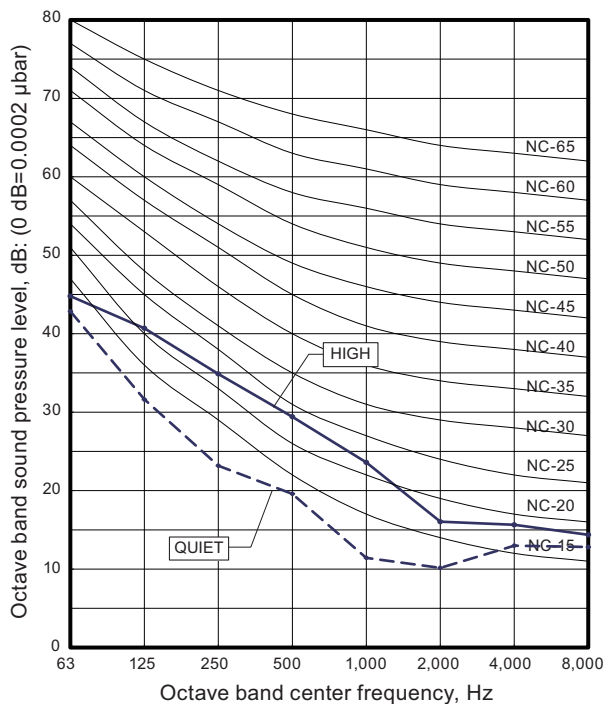


Model: ARXH22KMTAP

Cooling



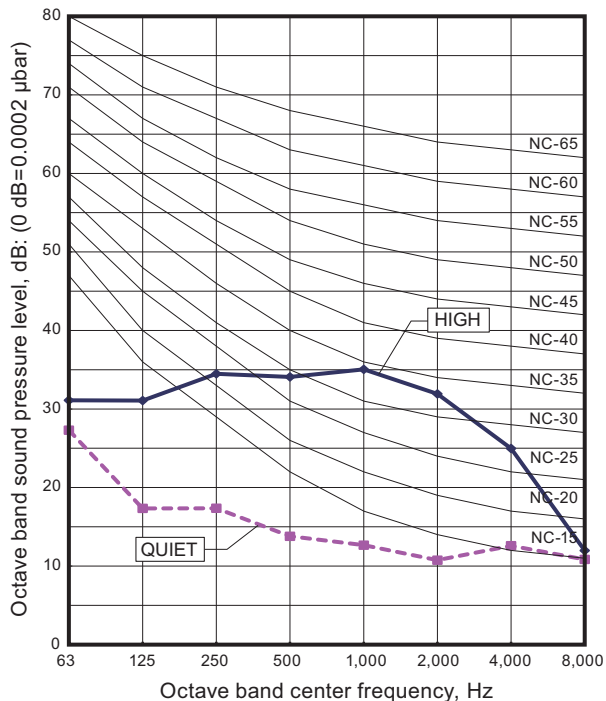
Heating



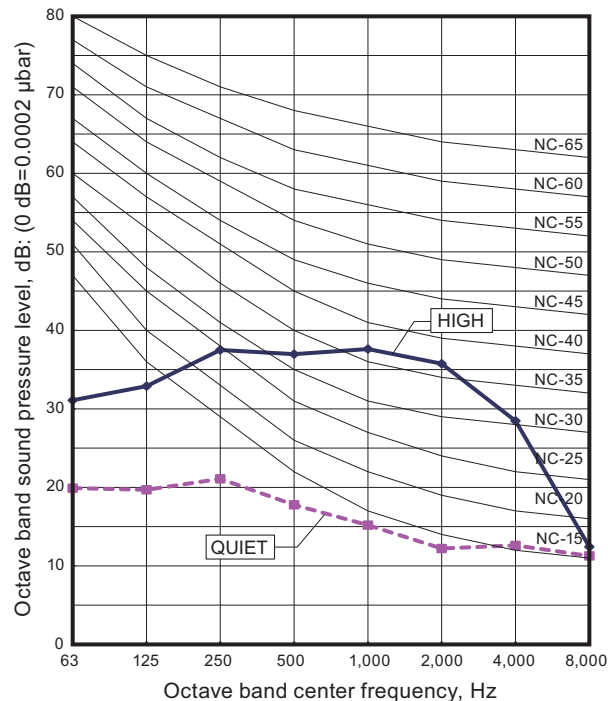
9-5. Wall mounted type

Models: ASYG07KGTB, ASYG07KGTE, and ASYG07KGTG

● Cooling

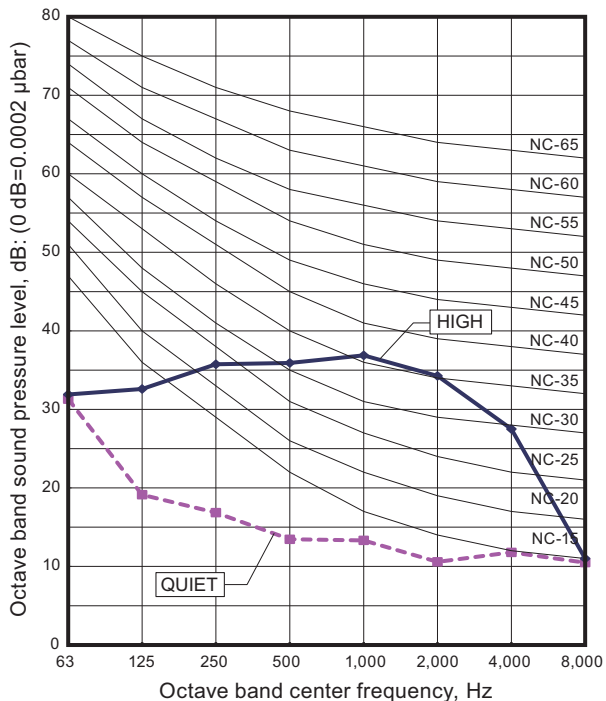


● Heating

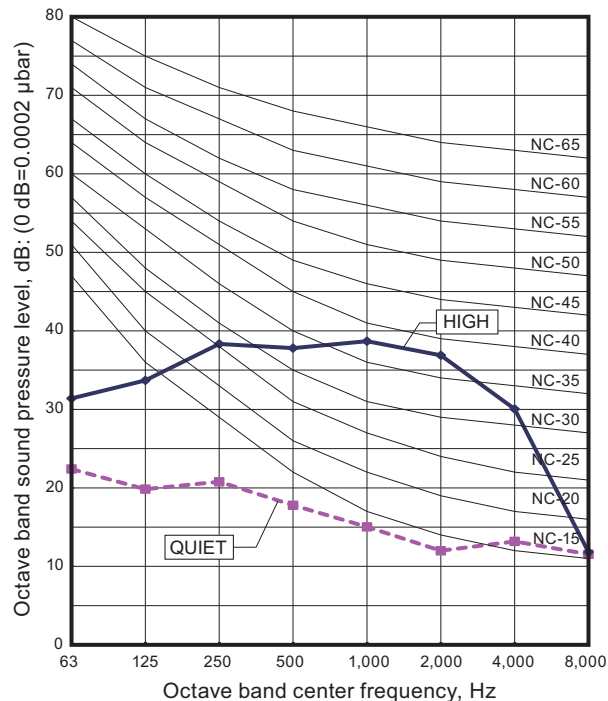


Models: ASYG09KGTB, ASYG09KGTE, and ASYG09KGTG

● Cooling

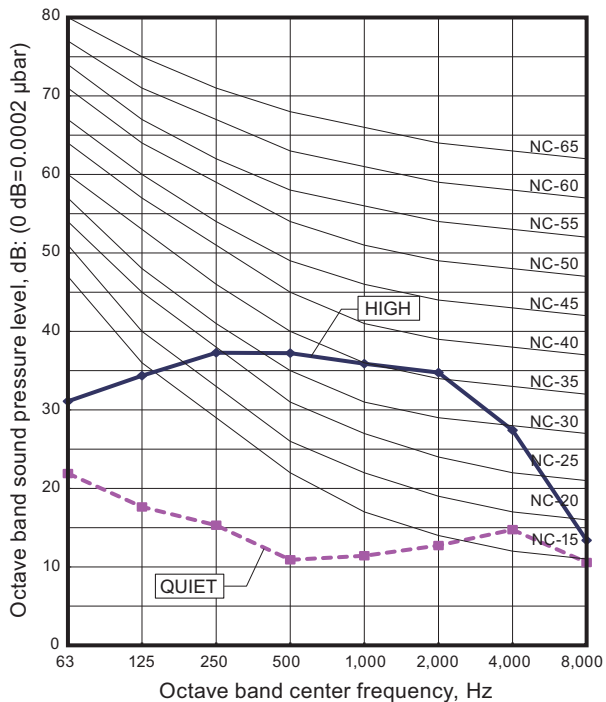


● Heating

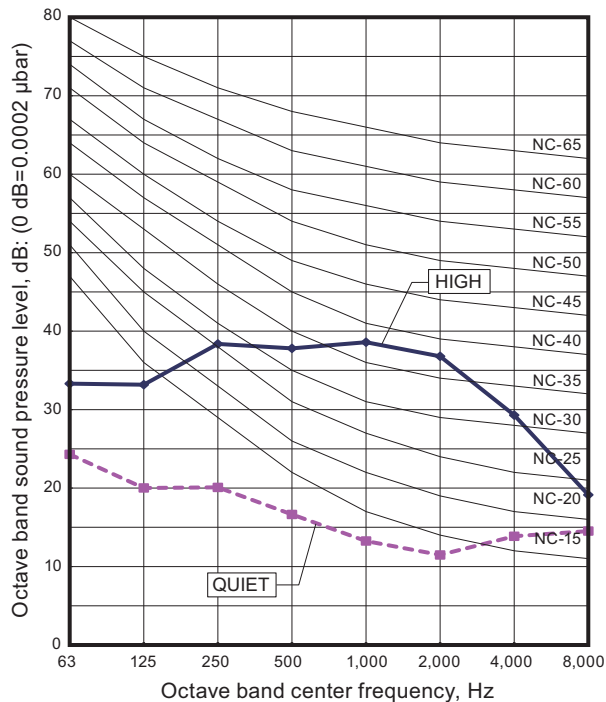


■ Models: ASYG12KGTB, ASYG12KGTE, and ASYG12KGTf

● Cooling

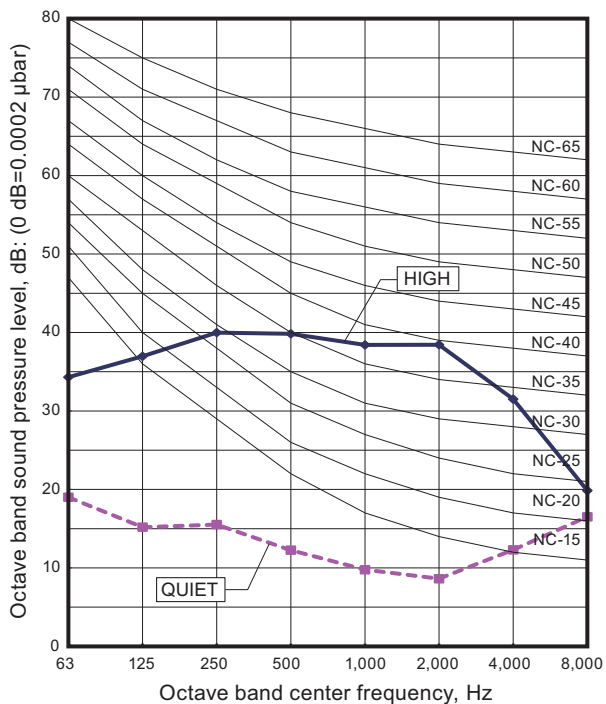


● Heating

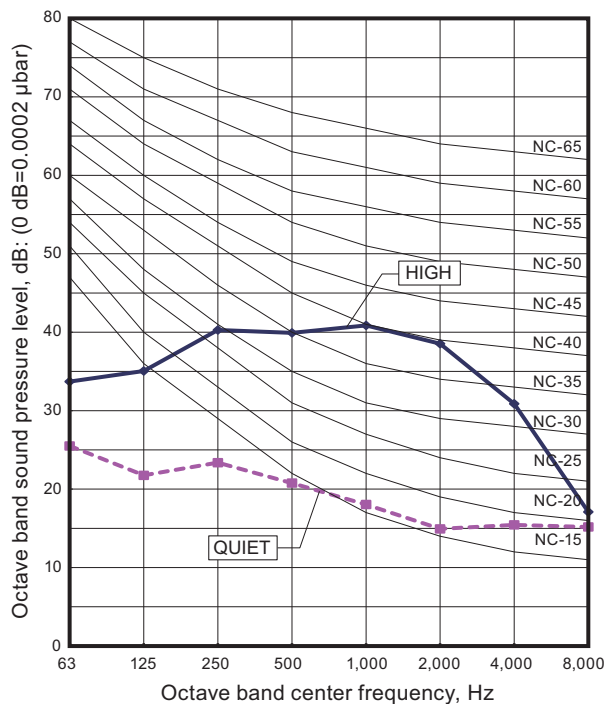


■ Models: ASYG14KGTB, ASYG14KGTE, and ASYG14KGTf

● Cooling

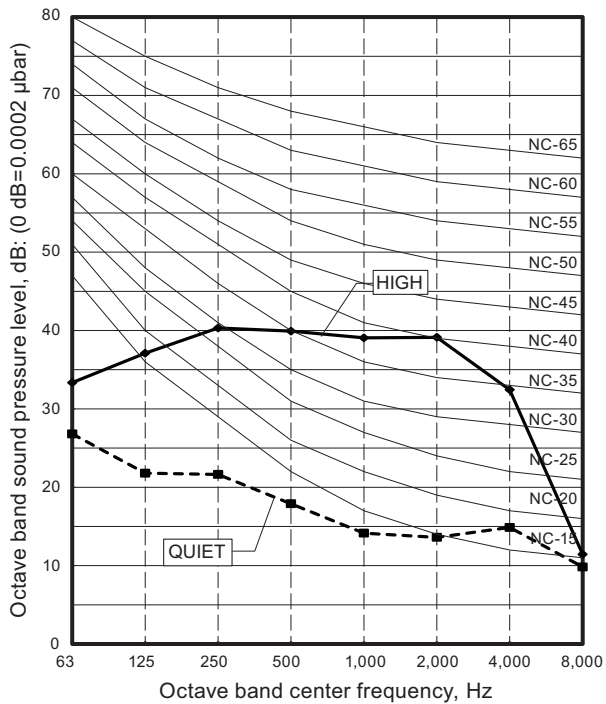


● Heating

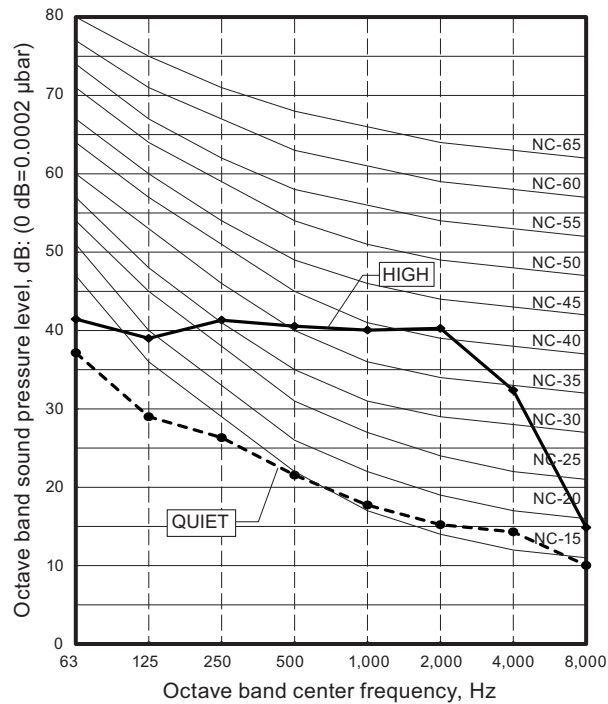


■ Models: ASYG18KMTB and ASYG18KMTE

● Cooling

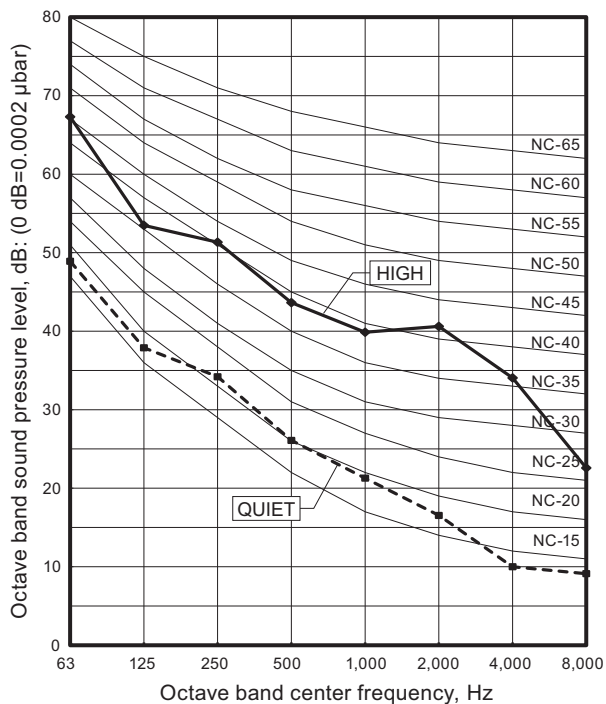


● Heating

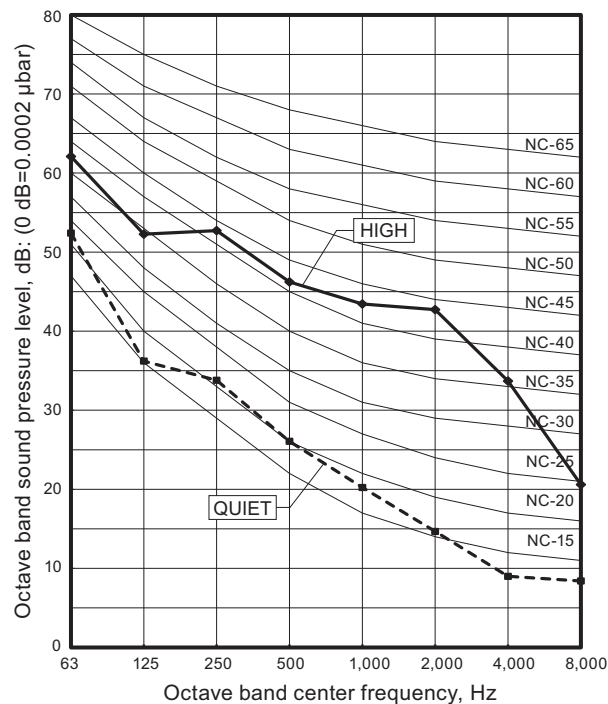


■ Models: ASYG22KMTB and ASYG22KMTE

● Cooling

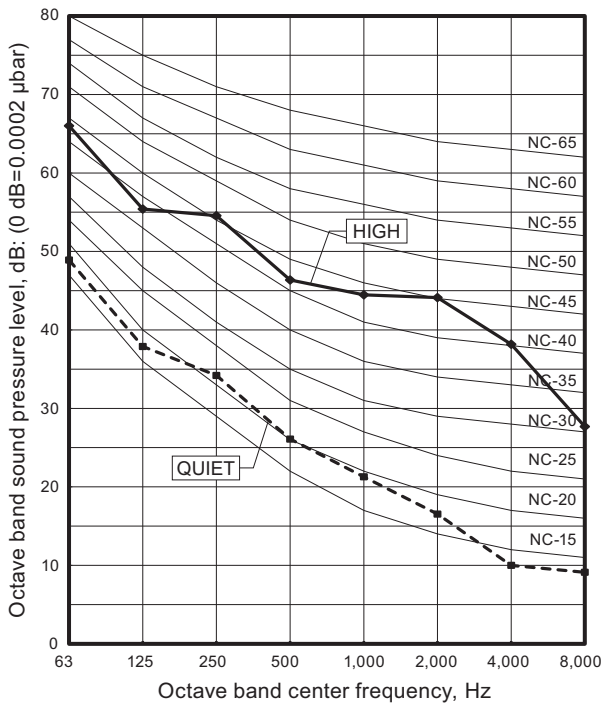


● Heating

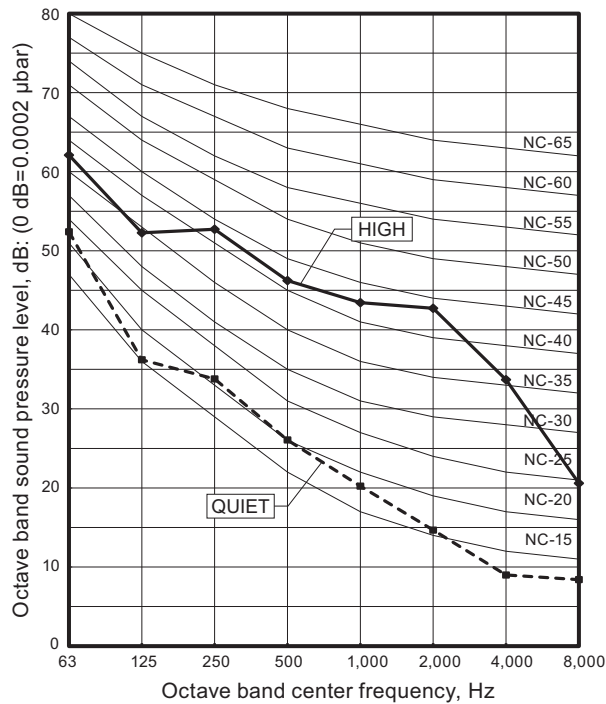


■ Models: ASYG24KMTB and ASYG24KMTE

● Cooling

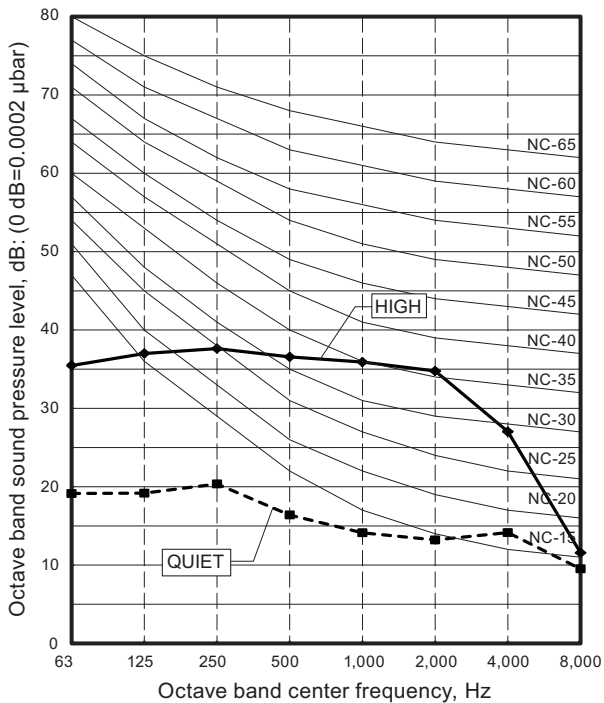


● Heating

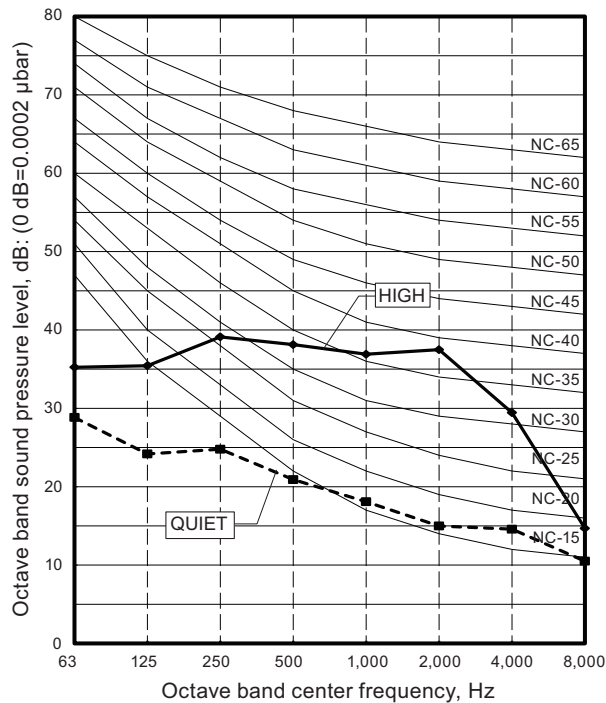


■ Models: ASYG07KMTB, ASYG07KMCC, ASYG07KMCE, ASYG07KMCF, ASYG07KETA, ASYG07KETA-B, ASYG07KETE, ASYG07KETE-B, ASYG07KETF, and ASYG07KETF-B

● Cooling

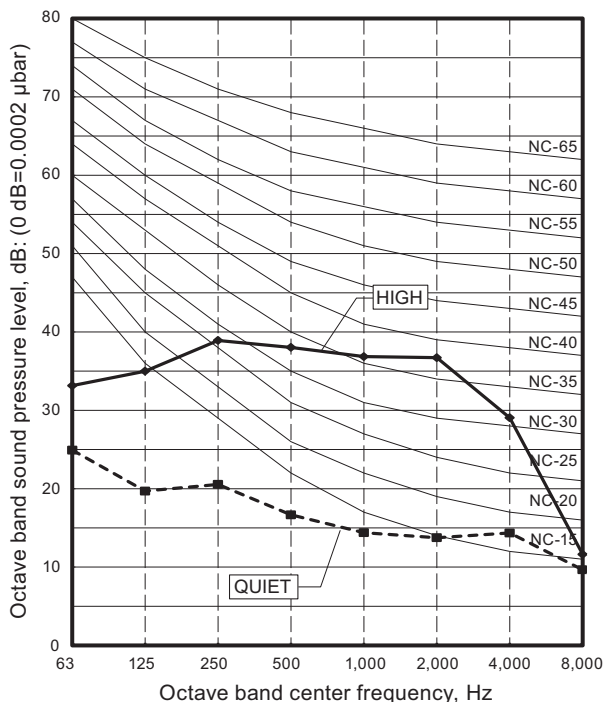


● Heating

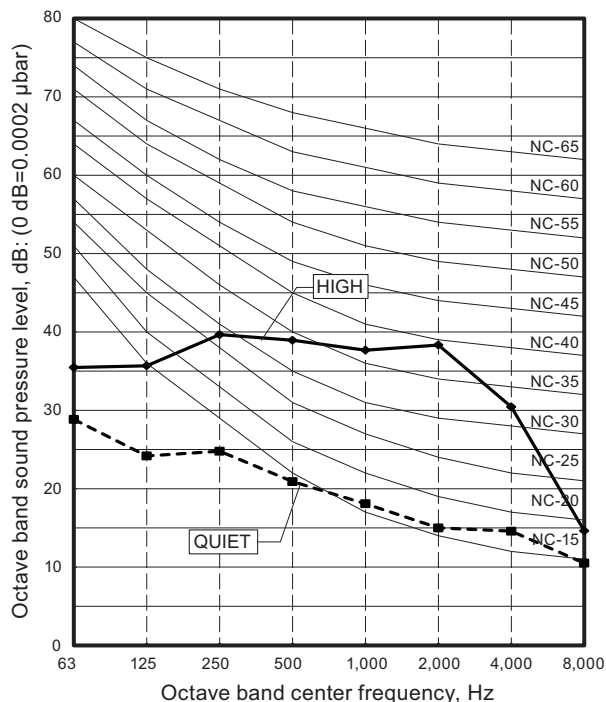


■ Models: ASYG09KMTB, ASYG09KMCC, ASYG09KMCE, ASYG09KMCF, ASYG09KETA, ASYG09KETA-B, ASYG09KETE, ASYG09KETE-B, ASYG09KETF, and ASYG09KETF-B

● Cooling

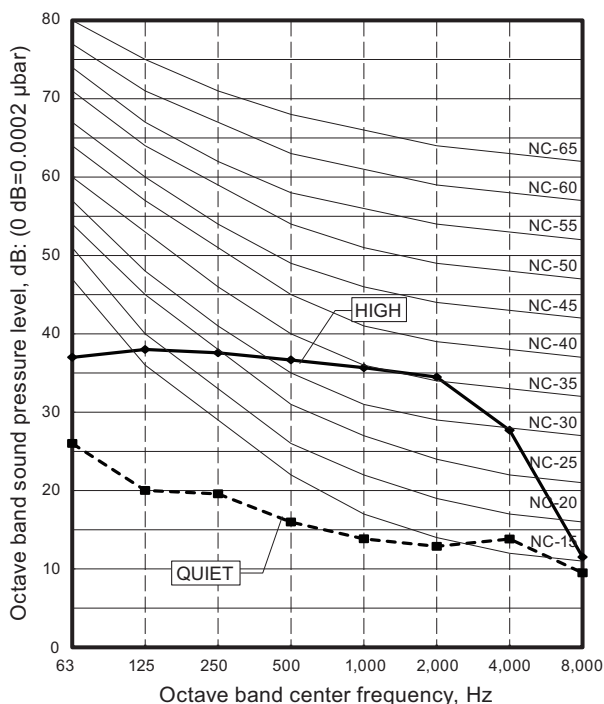


● Heating

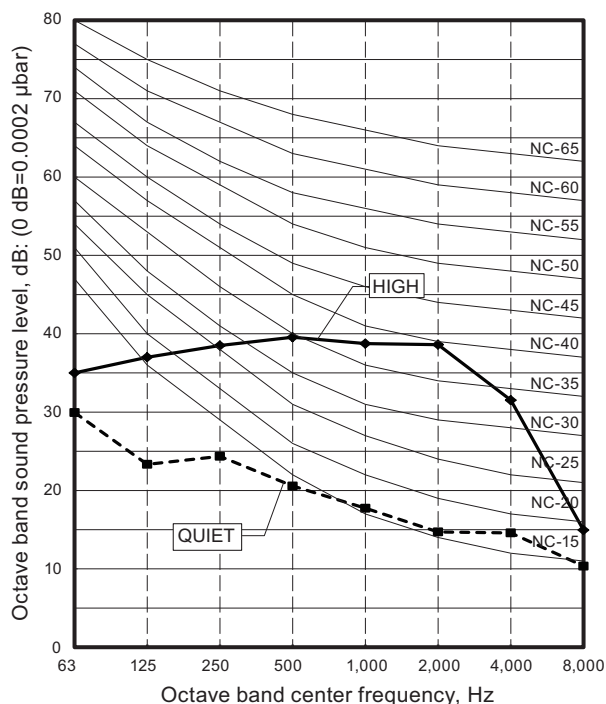


■ Models: ASYG12KMTB, ASYG12KMCC, ASYG12KMCE, ASYG12KMCF, ASYG12KETA, ASYG12KETA-B, ASYG12KETE, ASYG12KETE-B, ASYG12KETF, and ASYG12KETF-B

● Cooling

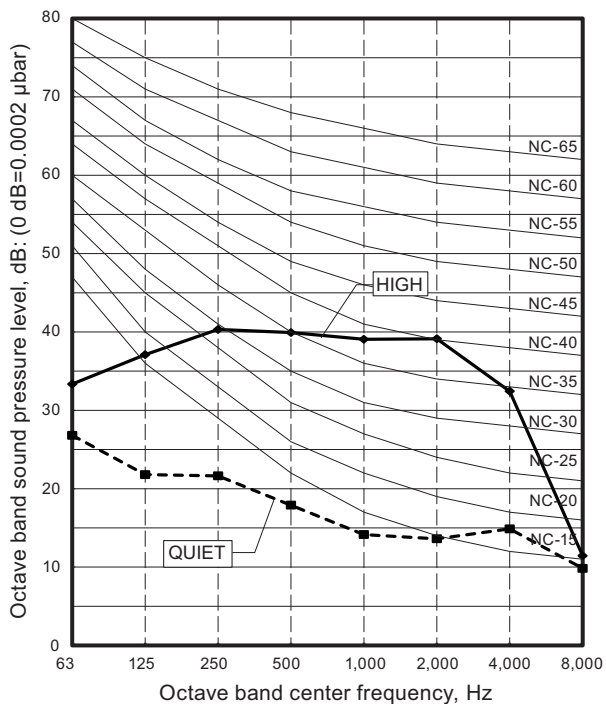


● Heating

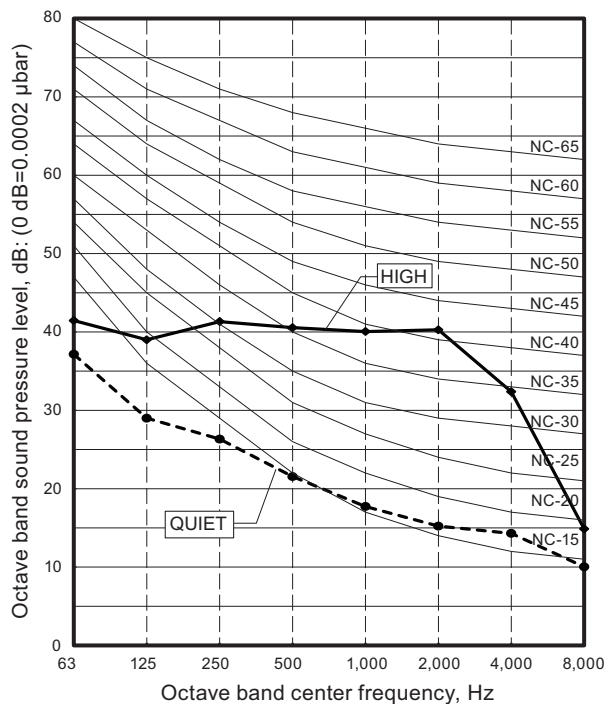


■ Models: ASYG14KMTB, ASYG14KMCC, ASYG14KMCE, ASYG14KMCF, ASYG14KETA, ASYG14KETA-B, ASYG14KETE, ASYG14KETE-B, ASYG14KETF, and ASYG14KETF-B

● Cooling



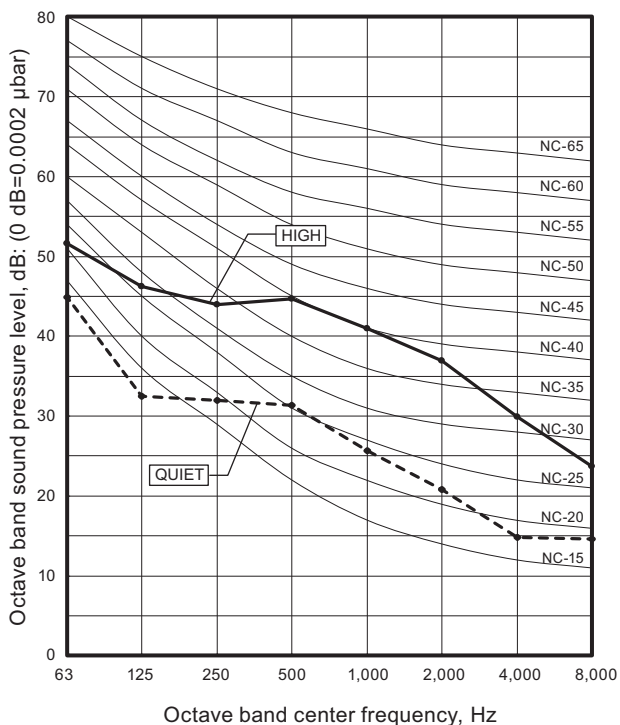
● Heating



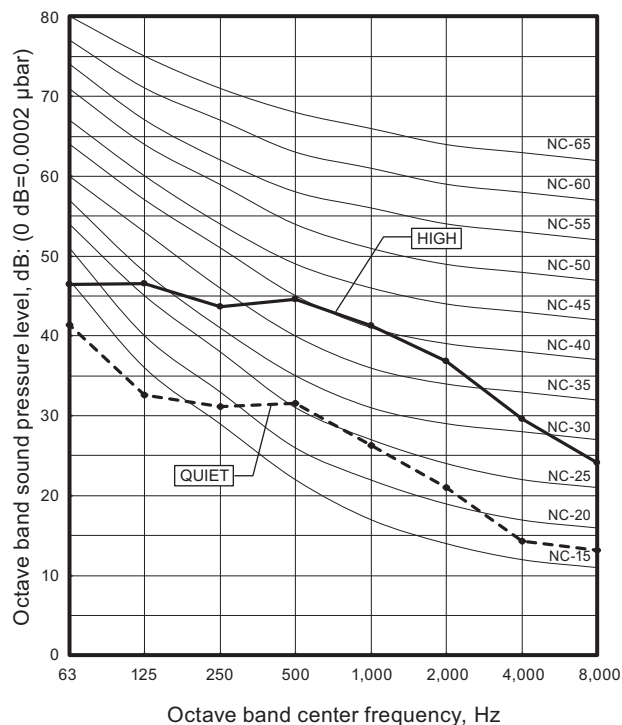
9-6. Ceiling type

Model: ABYG18KRTA

Cooling

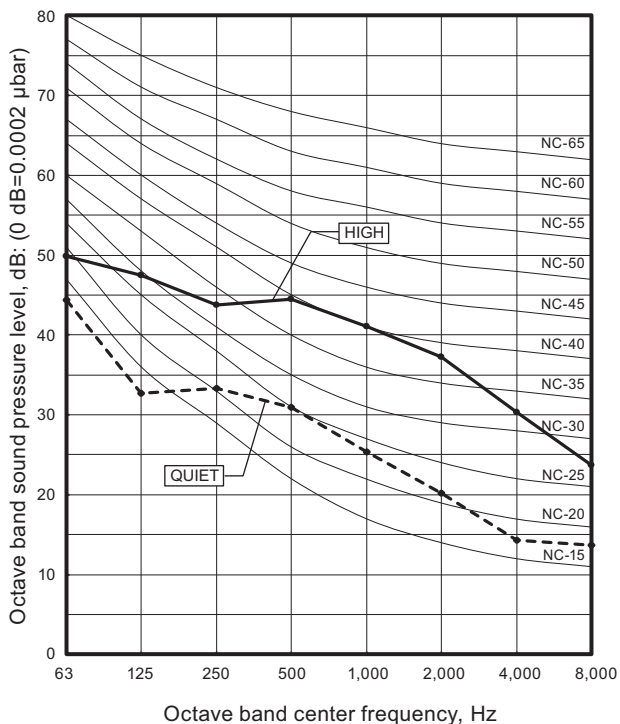


Heating

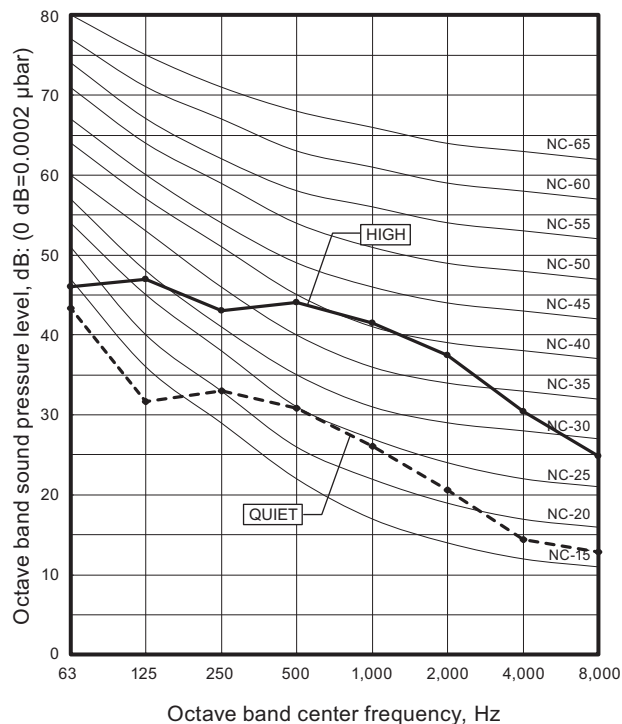


Model: ABYG22KRTA

Cooling



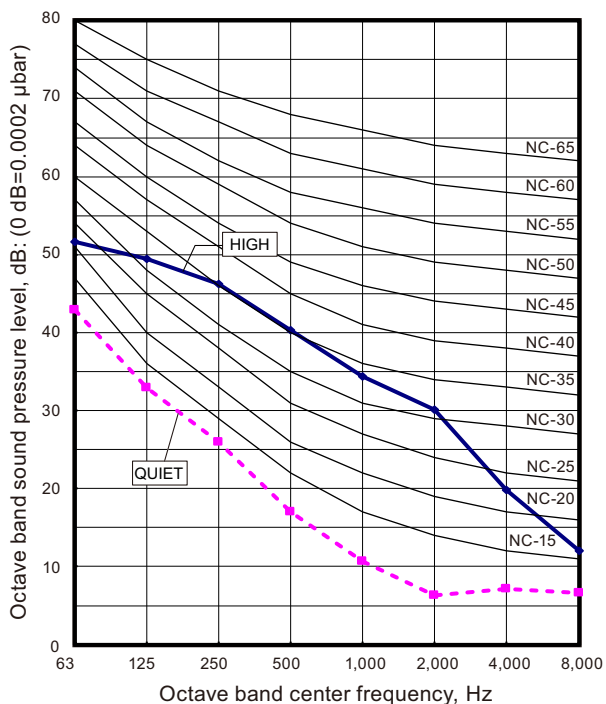
Heating



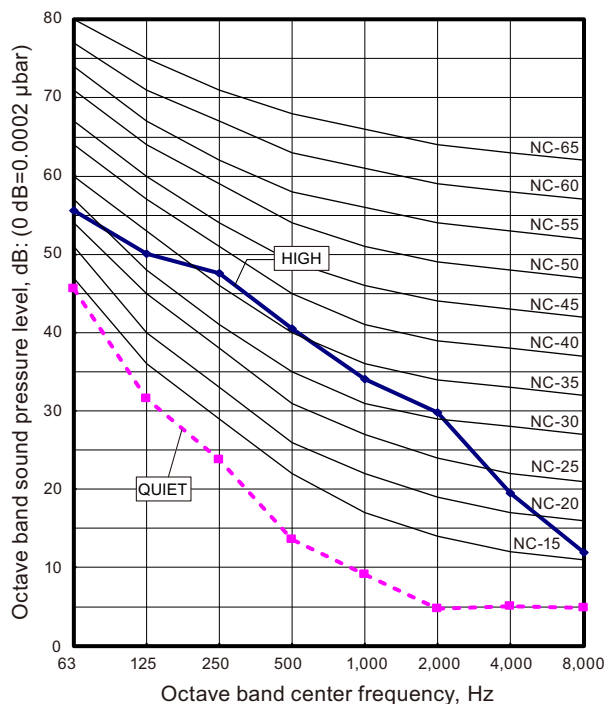
9-7. Floor type

Model: AGYG09KVCA

Cooling

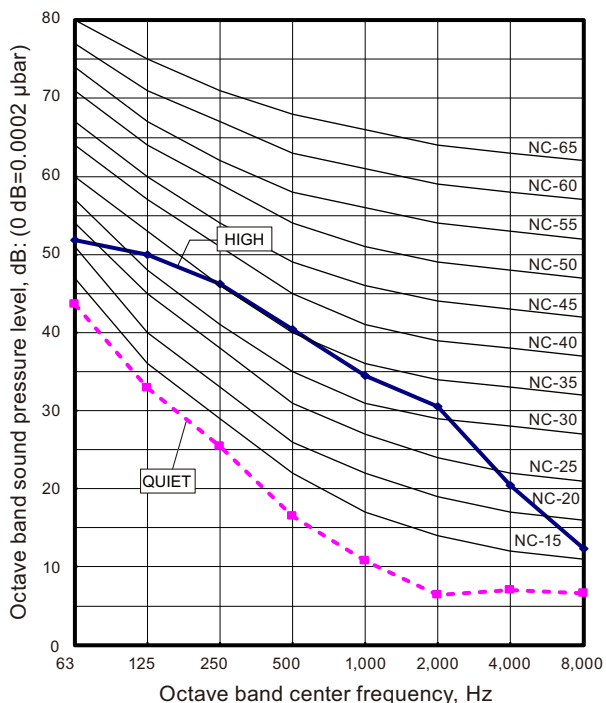


Heating

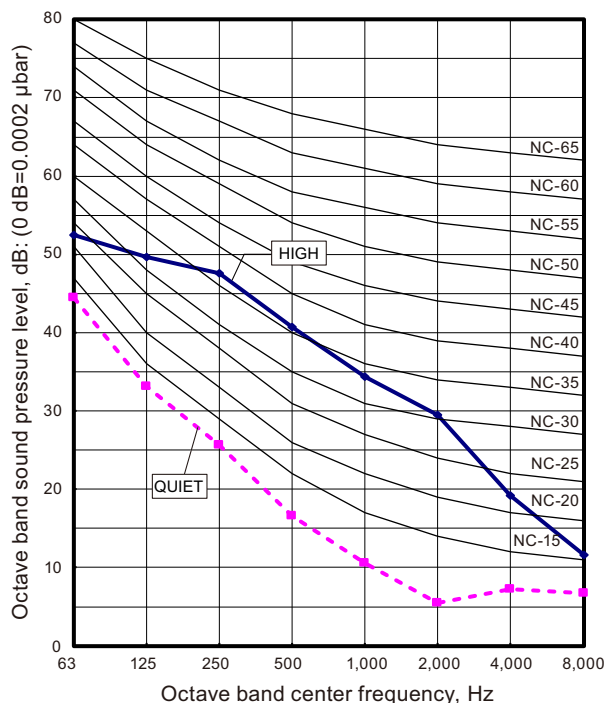


Model: AGYG12KVCA

Cooling

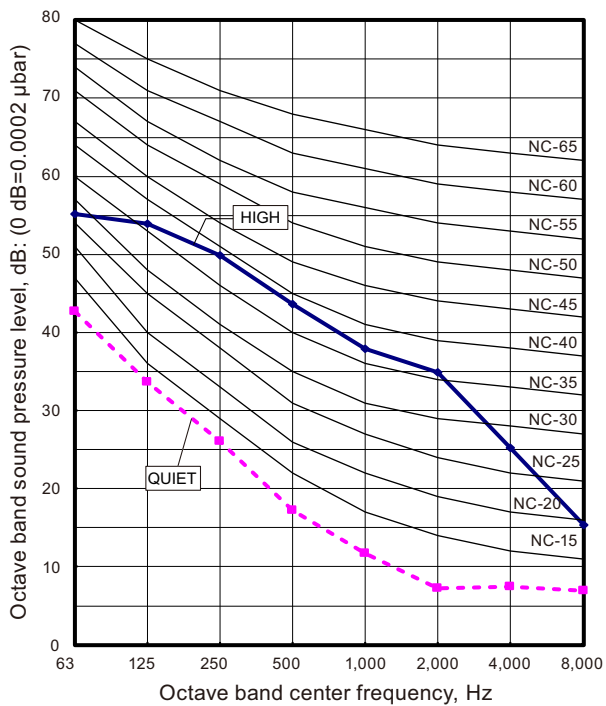


Heating

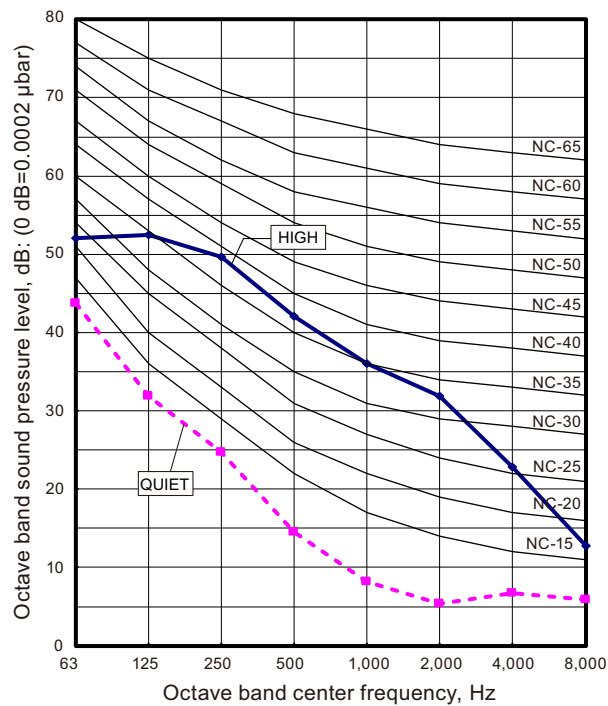


Model: AGYG14KVCA

● Cooling

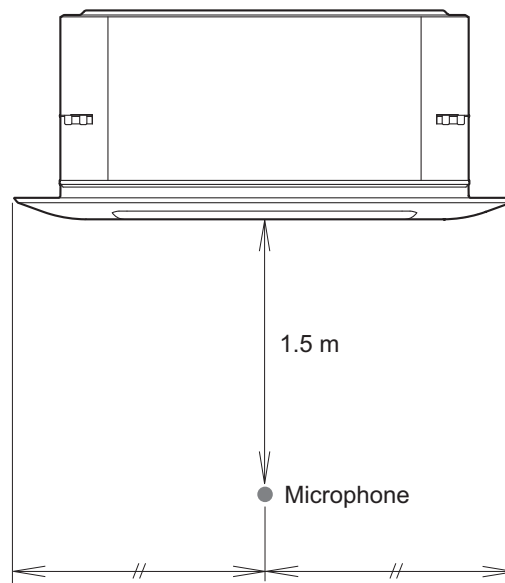
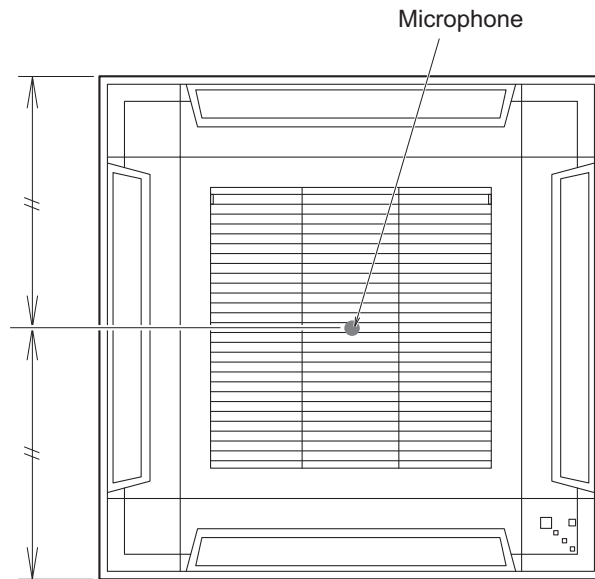


● Heating

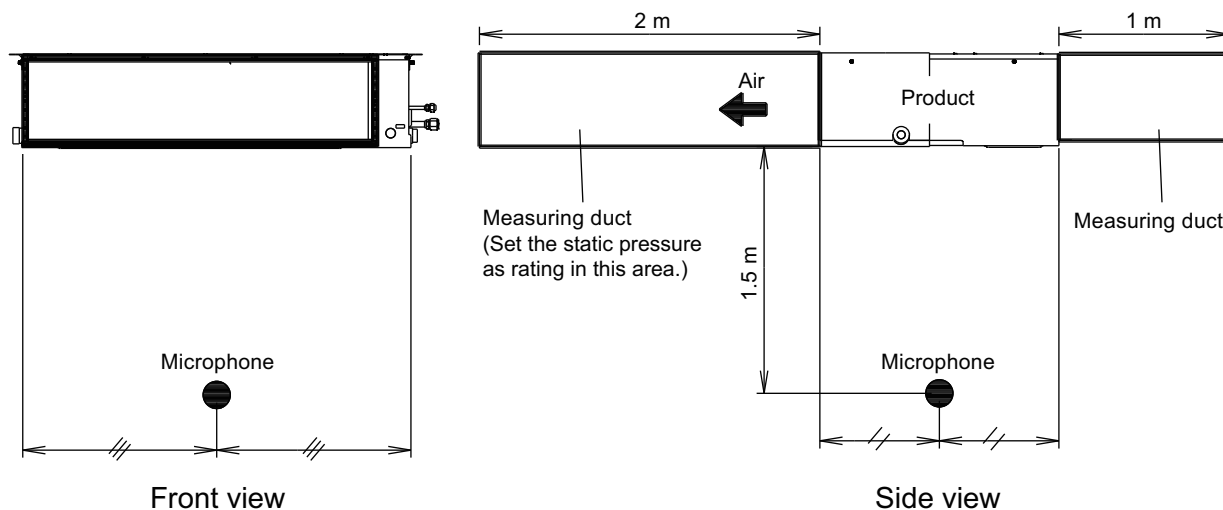


9-8. Sound level check point

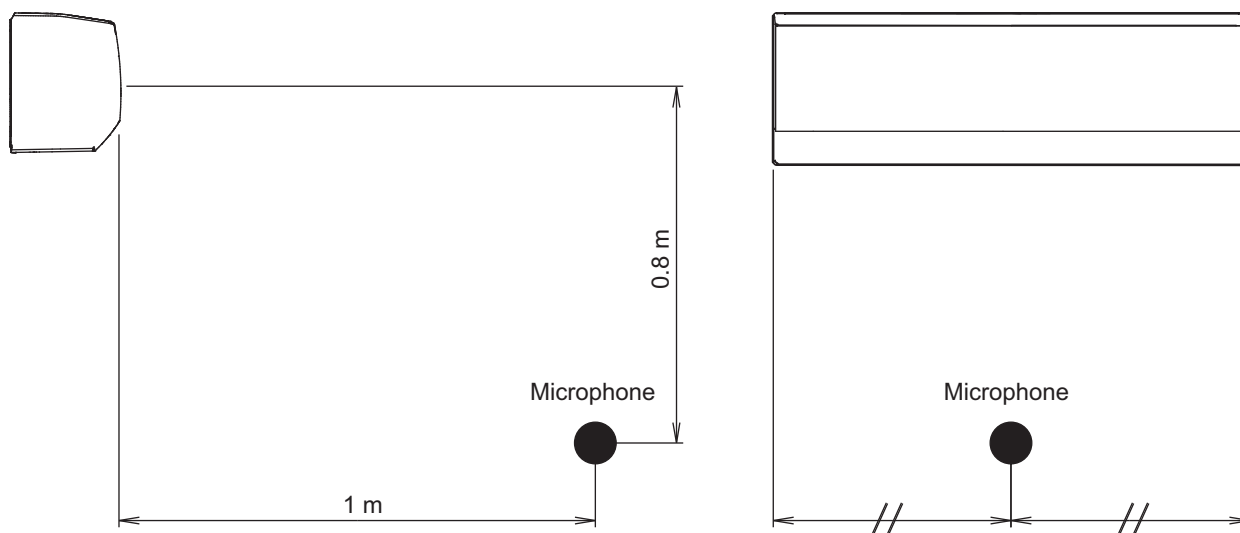
■ Compact cassette type



■ Mini duct type, Slim duct type, and Medium static pressure duct type

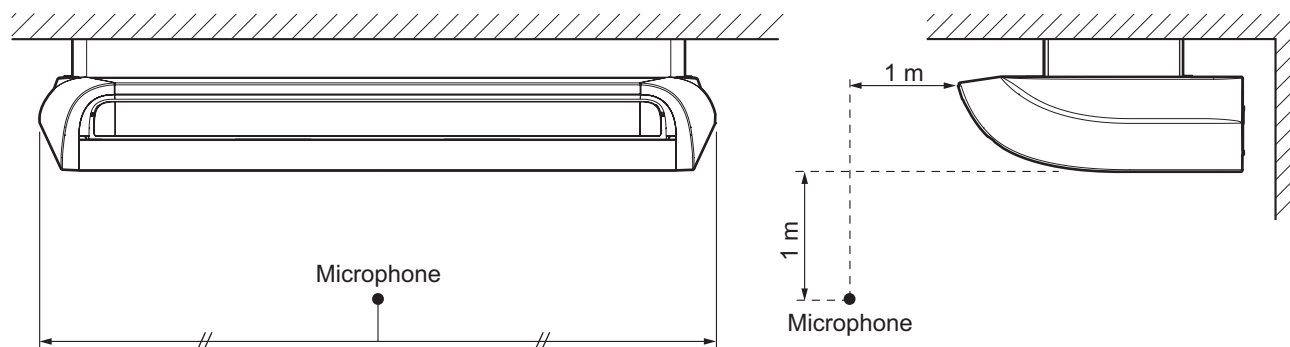


■ Wall mounted type

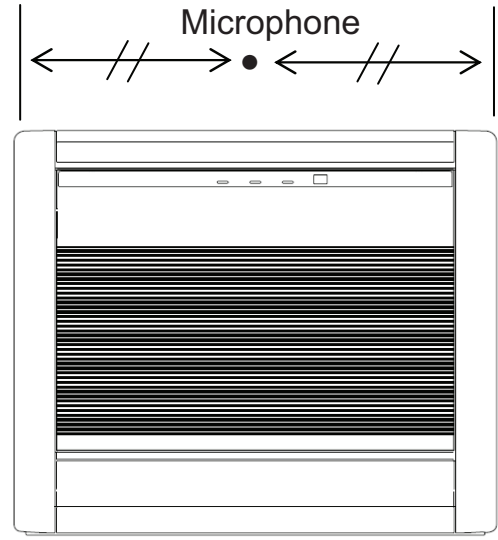
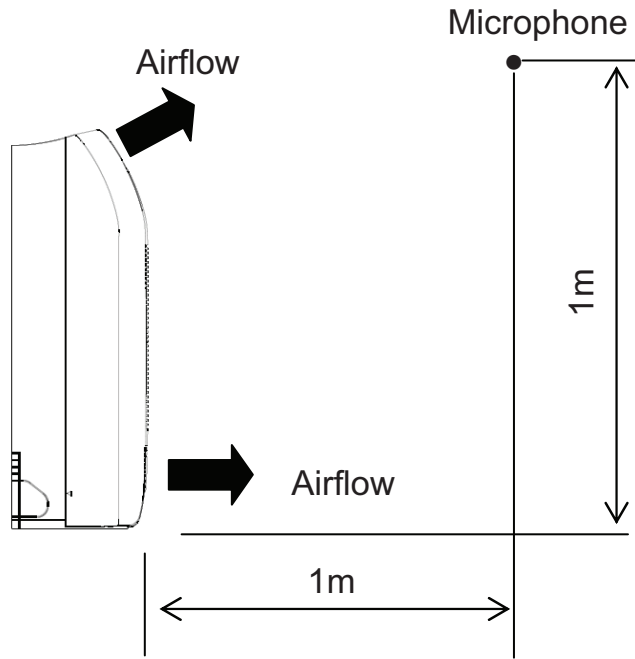


NOTE: Detailed shape of the actual indoor unit might be slightly different from the one illustrated above.

■ Ceiling type



■ Floor type



10. Electrical characteristics

| | | Power supply (50 Hz, 230 V) | Indoor rated | | Wiring spec. of connection cable (Indoor unit to outdoor unit) | |
|--------------------------------|-------------|--------------------------------|----------------|------|---|------------------------------------|
| Type | Model name | MCA | Input power | FLA | Cross- sectional area (mm ²) | Limited wiring length (m) |
| | | (A) | (W) | (A) | | |
| Compact cassette | AUXG07KVLA | 0.19 | 18 | 0.15 | 1.5 | 26 |
| | AUXG09KVLA | 0.19 | 18 | 0.15 | | |
| | AUXG12KVLA | 0.24 | 23 | 0.19 | | |
| | AUXG14KVLA | 0.28 | 28 | 0.22 | | |
| | AUXG18KVLA | 0.38 | 39 | 0.30 | | |
| | AUXG22KVLA | 0.75 | 84 | 0.62 | | |
| Mini duct | ARXG07KSLAP | 0.33 | 33 | 0.29 | 1.5 | 26 |
| | ARXG09KSLAP | 0.38 | 40 | 0.33 | | |
| | ARXG12KSLAP | 0.42 | 47 | 0.38 | | |
| | ARXG14KSLAP | 0.67 | 72 | 0.58 | | |
| | ARXG18KSLAP | 0.61 | 63 | 0.49 | | |
| Slim duct | ARXG07KLLAP | 0.41 | 33 | 0.33 | 1.5 | 26 |
| | ARXG09KLLAP | 0.38 | 49 | 0.30 | | |
| | ARXG12KLLAP | 0.44 | 58 | 0.35 | | |
| | ARXG14KLLAP | 0.64 | 76 | 0.51 | | |
| | ARXG18KLLAP | 0.55 | 73 | 0.44 | | |
| Medium static pressure duct | ARXG22KMLB | 1.00 | 94 | 0.60 | 1.5 | 26 |
| | ARXH22KMTAP | 0.625 | 79 | 0.50 | 1.5 | 26 |

| | | Power supply (50 Hz, 230 V) | Indoor rated | | Wiring spec. of connection cable (Indoor unit to outdoor unit) | |
|--------------|------------|--------------------------------|----------------|------|---|------------------------------------|
| Type | Model name | MCA | Input power | FLA | Cross- sectional area (mm ²) | Limited wiring length (m) |
| | | (A) | (W) | (A) | | |
| Wall mounted | ASYG07KGTB | 0.25 | 23 | 0.20 | 1.5 | 26 |
| | ASYG09KGTB | 0.30 | 27 | 0.24 | | |
| | ASYG12KGTB | 0.30 | 27 | 0.24 | | |
| | ASYG14KGTB | 0.37 | 33 | 0.29 | | |
| | ASYG07KGTE | 0.25 | 23 | 0.20 | | |
| | ASYG09KGTE | 0.30 | 27 | 0.24 | | |
| | ASYG12KGTE | 0.30 | 27 | 0.24 | | |
| | ASYG14KGTE | 0.37 | 33 | 0.29 | | |
| | ASYG07KGTF | 0.25 | 23 | 0.20 | | |
| | ASYG09KGTF | 0.30 | 27 | 0.24 | | |
| | ASYG12KGTF | 0.30 | 27 | 0.24 | | |
| | ASYG14KGTF | 0.37 | 33 | 0.29 | | |
| | ASYG18KMTB | 0.44 | 38 | 0.35 | | |
| | ASYG22KMTB | 0.49 | 47 | 0.39 | | |
| | ASYG24KMTB | 0.55 | 62 | 0.44 | | |
| | ASYG18KMTE | 0.44 | 38 | 0.35 | | |
| | ASYG22KMTE | 0.49 | 47 | 0.39 | | |
| | ASYG24KMTE | 0.55 | 62 | 0.44 | | |
| | ASYG07KMTB | 0.25 | 23 | 0.20 | | |
| | ASYG09KMTB | 0.30 | 27 | 0.24 | | |
| | ASYG12KMTB | 0.30 | 27 | 0.24 | | |
| | ASYG14KMTB | 0.38 | 33 | 0.30 | | |
| | ASYG07KMCC | 0.25 | 23 | 0.20 | | |
| | ASYG09KMCC | 0.30 | 27 | 0.24 | | |
| | ASYG12KMCC | 0.30 | 27 | 0.24 | | |
| | ASYG14KMCC | 0.38 | 33 | 0.30 | | |
| | ASYG07KMCE | 0.25 | 23 | 0.20 | | |
| | ASYG09KMCE | 0.30 | 27 | 0.24 | | |
| | ASYG12KMCE | 0.30 | 27 | 0.24 | | |
| | ASYG14KMCE | 0.38 | 33 | 0.30 | | |
| ASYG07KMCF | 0.25 | 23 | 0.20 | | | |
| ASYG09KMCF | 0.30 | 27 | 0.24 | | | |
| ASYG12KMCF | 0.30 | 27 | 0.24 | | | |
| ASYG14KMCF | 0.38 | 33 | 0.30 | | | |

| | | Power supply (50 Hz, 230 V) | Indoor rated | | Wiring spec. of connection cable (Indoor unit to outdoor unit) | |
|--------------|----------------------------|--------------------------------|----------------|------|---|------------------------------------|
| Type | Model name | MCA | Input power | FLA | Cross- sectional area (mm ²) | Limited wiring length (m) |
| | | (A) | (W) | (A) | | |
| Wall mounted | ASYG07KETA ASYG07KETA-B | 0.25 | 23 | 0.20 | 1.5 | 26 |
| | ASYG09KETA ASYG09KETA-B | 0.30 | 27 | 0.24 | | |
| | ASYG12KETA ASYG12KETA-B | 0.30 | 27 | 0.24 | | |
| | ASYG14KETA ASYG14KETA-B | 0.38 | 33 | 0.30 | | |
| | ASYG07KETE ASYG07KETE-B | 0.25 | 23 | 0.20 | | |
| | ASYG09KETE ASYG09KETE-B | 0.30 | 27 | 0.24 | | |
| | ASYG12KETE ASYG12KETE-B | 0.30 | 27 | 0.24 | | |
| | ASYG14KETE ASYG14KETE-B | 0.38 | 33 | 0.30 | | |
| | ASYG07KETF ASYG07KETF-B | 0.25 | 23 | 0.20 | | |
| | ASYG09KETF ASYG09KETF-B | 0.30 | 27 | 0.24 | | |
| | ASYG12KETF ASYG12KETF-B | 0.30 | 27 | 0.24 | | |
| | ASYG14KETF ASYG14KETF-B | 0.38 | 33 | 0.30 | | |
| Ceiling | ABYG18KRTA | 0.39 | 37 | 0.21 | 1.5 | 26 |
| | ABYG22KRTA | 0.49 | 46 | 0.25 | | |
| Floor | AGYG09KVCA | 0.19 | 16 | 0.15 | 1.5 | 26 |
| | AGYG12KVCA | 0.23 | 20 | 0.18 | | |
| | AGYG14KVCA | 0.25 | 23 | 0.20 | | |

MCA: Minimum Circuit Ampacity = Maximum operating current (Full load)

FLA: Full Load Amperes (Fan motor)

11. Safety devices

| Indoor unit type | Model name | PCB* fuse | Fan motor thermal protector | Terminal thermal fuse | Float switch |
|-----------------------------|-------------|--|--|-----------------------|--------------|
| Compact cassette | AUXG07KVLA | 250 V, 5 A | Activate: 100 ±15 °C Fan motor stop Reset: 95 ±10 °C Fan motor restart | — | ○ |
| | AUXG09KVLA | | | | |
| | AUXG12KVLA | | | | |
| | AUXG14KVLA | | | | |
| | AUXG18KVLA | | | | |
| | AUXG22KVLA | | | | |
| Mini duct | ARXG07KSLAP | | Activate: 135 ±15 °C Fan motor stop Reset: 105 ±15 °C Fan motor restart | | |
| | ARXG09KSLAP | | | | |
| | ARXG12KSLAP | | | | |
| | ARXG14KSLAP | | | | |
| | ARXG18KSLAP | | | | |
| Slim duct | ARXG07KLLAP | | Activate: 135 ±15 °C Fan motor stop Reset: 115 ±15 °C Fan motor restart | | |
| | ARXG09KLLAP | | | | |
| | ARXG12KLLAP | | | | |
| | ARXG14KLLAP | | | | |
| | ARXG18KLLAP | Activate: 135 ±15 °C Fan motor stop Reset: 115 ±15 °C Fan motor restart | | | |
| Medium static pressure duct | ARXG22KMLB | Activate: 135 ±15 °C Fan motor stop Reset: 115 ±15 °C Fan motor restart | — | | |
| | ARXH22KMTAP | Activate: 115 ±15 °C Fan motor stop Reset: 70 °C Fan motor restart | ○ | | |

| Indoor unit type | Model name | PCB* fuse | Fan motor thermal protector | Terminal thermal fuse | Float switch |
|------------------|--|---------------|--|-----------------------|--------------|
| Wall mounted | ASYG07KGTB | 250 V, 3.15 A | Activate: 110 ±15 °C Fan motor speed down Reset: 110 ±15 °C Fan motor speed recover | 102 °C Off | — |
| | ASYG09KGTB | | Activate: 125 ±10 °C Fan motor stop Reset: 100 ±10 °C Fan motor restart | | |
| | ASYG12KGTB | | Activate: 110 ±15 °C Fan motor speed down Reset: 110 ±15 °C Fan motor speed recover | | |
| | ASYG14KGTB | | Activate: 125 ±10 °C Fan motor stop Reset: 100 ±10 °C Fan motor restart | | |
| | ASYG07KGTE | | Activate: 110 ±15 °C Fan motor speed down Reset: 110 ±15 °C Fan motor speed recover | | |
| | ASYG09KGTE | | Activate: 125 ±10 °C Fan motor stop Reset: 100 ±10 °C Fan motor restart | | |
| | ASYG12KGTE | | Activate: 110 ±15 °C Fan motor speed down Reset: 110 ±15 °C Fan motor speed recover | | |
| | ASYG14KGTE | | Activate: 125 ±10 °C Fan motor stop Reset: 100 ±10 °C Fan motor restart | | |
| | ASYG07KGTf | | Activate: 110 ±15 °C Fan motor speed down Reset: 110 ±15 °C Fan motor speed recover | | |
| | ASYG09KGTf | | Activate: 125 ±10 °C Fan motor stop Reset: 100 ±10 °C Fan motor restart | | |
| | ASYG12KGTf | | Activate: 110 ±15 °C Fan motor speed down Reset: 110 ±15 °C Fan motor speed recover | | |
| | ASYG14KGTf | | Activate: 125 ±10 °C Fan motor stop Reset: 100 ±10 °C Fan motor restart | | |
| | ASYG18KMTB | | Activate: 125 ±10 °C Fan motor stop Reset: 100 ±10 °C Fan motor restart | | |
| | ASYG22KMTB | | Activate: 125 ±10 °C Fan motor stop Reset: 100 ±10 °C Fan motor restart | | |
| | ASYG24KMTB | | Activate: 125 ±10 °C Fan motor stop Reset: 100 ±10 °C Fan motor restart | | |
| | ASYG18KMTE | | Activate: 125 ±10 °C Fan motor stop Reset: 100 ±10 °C Fan motor restart | | |
| | ASYG22KMTE | | Activate: 125 ±10 °C Fan motor stop Reset: 100 ±10 °C Fan motor restart | | |
| | ASYG24KMTE | | Activate: 125 ±10 °C Fan motor stop Reset: 100 ±10 °C Fan motor restart | | |
| | ASYG07KMTB | | Activate: More than 95 °C Fan motor speed down Reset: 95 °C or less Fan motor speed recover | | |
| | ASYG09KMTB | | Activate: More than 95 °C Fan motor speed down Reset: 95 °C or less Fan motor speed recover | | |
| ASYG12KMTB | Activate: More than 95 °C Fan motor speed down Reset: 95 °C or less Fan motor speed recover | | | | |
| ASYG14KMTB | Activate: 125 ±10 °C Fan motor stop Reset: 100 ±10 °C Fan motor restart | | | | |

| Indoor unit type | Model name | PCB* fuse | Fan motor thermal protector | Terminal thermal fuse | Float switch |
|------------------|---------------|--|--|-----------------------|--------------|
| Wall mounted | ASYG07KMCC | 250 V, 3.15 A | Activate: 170 ⁺²⁵ ₋₃₀ °C Fan motor stop | — | |
| | ASYG09KMCC | | Reset: 145 ⁺²⁵ ₋₃₀ °C | | |
| | ASYG12KMCC | | Fan motor restart | | |
| | ASYG14KMCC | | | | |
| | ASYG07KMCE | | Activate: 170 ⁺²⁵ ₋₃₀ °C Fan motor stop | | |
| | ASYG09KMCE | | Reset: 145 ⁺²⁵ ₋₃₀ °C | | |
| | ASYG12KMCE | | Fan motor restart | | |
| | ASYG14KMCE | | | | |
| | ASYG07KMCF | | Activate: 170 ⁺²⁵ ₋₃₀ °C Fan motor stop | | |
| | ASYG09KMCF | | Reset: 145 ⁺²⁵ ₋₃₀ °C | | |
| | ASYG12KMCF | | Fan motor restart | | |
| | ASYG14KMCF | | | | |
| | ASYG07KETA | 250 V, 3.15 A | Activate: 110 ±15 °C Fan motor speed down | 102 °C Off | |
| | ASYG07KETA-B | | Reset: 110 ±15 °C | | |
| | ASYG09KETA | | Fan motor speed recover | | |
| | ASYG09KETA-B | | | | |
| | ASYG12KETA | 250 V, 3.15 A | Activate: 125 ±10 °C Fan motor stop | 102 °C Off | |
| | ASYG12KETA-B | | Reset: 100 ±10 °C | | |
| | ASYG14KETA | | Fan motor restart | | |
| | ASYG14KETA-B | | | | |
| ASYG07KETE | 250 V, 3.15 A | Activate: 110 ±15 °C Fan motor speed down | 102 °C Off | | |
| ASYG07KETE-B | | Reset: 110 ±15 °C | | | |
| ASYG09KETE | | Fan motor speed recover | | | |
| ASYG09KETE-B | | | | | |
| ASYG12KETE | 250 V, 3.15 A | Activate: 125 ±10 °C Fan motor stop | 102 °C Off | | |
| ASYG12KETE-B | | Reset: 100 ±10 °C | | | |
| ASYG14KETE | | Fan motor restart | | | |
| ASYG14KETE-B | | | | | |
| ASYG07KETF | 250 V, 3.15 A | Activate: 110 ±15 °C Fan motor speed down | 102 °C Off | | |
| ASYG07KETF-B | | Reset: 110 ±15 °C | | | |
| ASYG09KETF | | Fan motor speed recover | | | |
| ASYG09KETF-B | | | | | |
| ASYG12KETF | 250 V, 3.15 A | Activate: 125 ±10 °C Fan motor stop | 102 °C Off | | |
| ASYG12KETF-B | | Reset: 100 ±10 °C | | | |
| ASYG14KETF | | Fan motor restart | | | |
| ASYG14KETF-B | | | | | |
| Ceiling | ABYG18KRTA | 250 V, 3.15 A | Activate: 135 ±15 °C Fan motor stop | 108 °C Off | — |
| | ABYG22KRTA | 250V, 5.0 A | Reset: 105 ±15 °C Fan motor restart | | |
| Floor | AGYG09KVCA | 250V, 5.0 A | Activate: 150 ±15 °C Fan motor stop | 110 °C Off | — |
| | AGYG12KVCA | | Reset: 120 ±15 °C | | |
| | AGYG14KVCA | | Fan motor restart | | |

*: Printed Circuit Board

12. External input and output

12-1. Compact cassette type, Medium static pressure duct type (ARXH22KMTAP), and Ceiling type

- Compact cassette type and Ceiling type

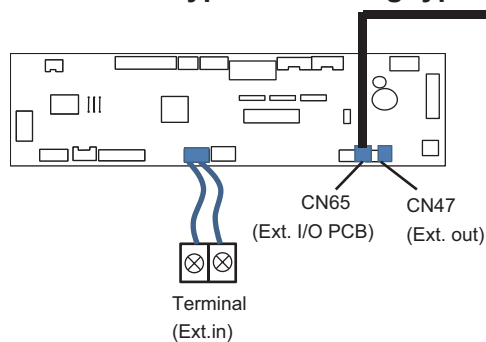


Fig. Indoor unit PCB

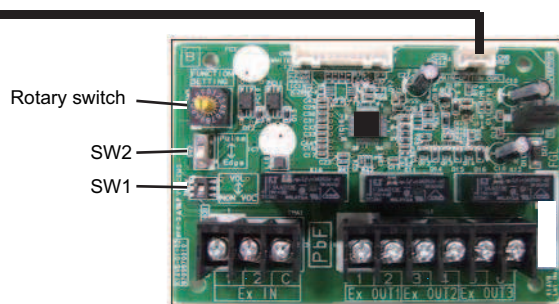


Fig. External Input and Output PCB

- Medium static pressure duct type (ARXH22KMTAP)

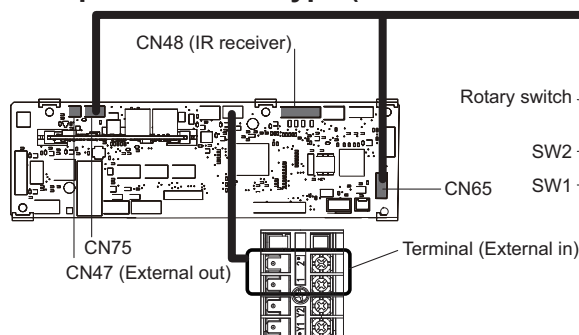


Fig. Indoor unit PCB

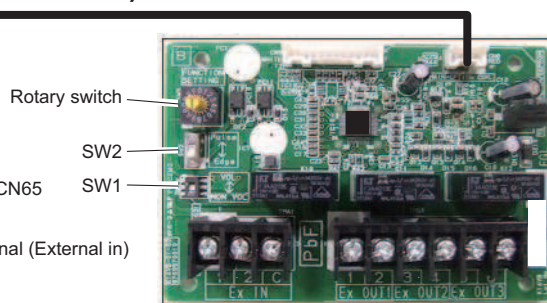


Fig. External Input and Output PCB

| Connecting point | | Input/Output | Function | Input select | Input signal |
|--|----------------------------------|--------------|--|---------------------------|--------------|
| Indoor unit | Terminal | Input | Operation/Stop Forced stop | Dry contact | Edge |
| | CN47 | Output | Operation/Stop | | |
| | | | Error status | | |
| | | | Indoor unit fan operation status External heater output | | |
| External Input and Output PCB (UTY-XCSX) | Ex IN 1/2 | Input | Operation/Stop | Dry contact/Apply voltage | Edge/Pulse |
| | Ex IN 1 | | Forced thermostat off | | Edge |
| | Ex OUT 1 Ex OUT 2 Ex OUT 3 | Output | Operation/Stop | — | — |
| | | | Error status | | |
| | | | Indoor unit fan operation status External heater output | | |

NOTE: For details of the switching function, refer to "Setting of external input and output" on page 190.

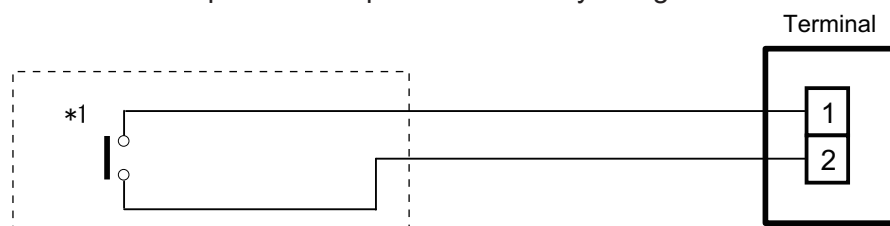
External input

With using external input function, some functions on this product can be controlled from an external device.

- "Operation/Stop" mode or "Forced stop" mode can be selected with function setting of indoor unit.
- A twisted pair cable should be used. Maximum length of cable is 150 m.
- Use an external input and output cable with appropriate external dimension, depending on the number of cables to be installed.
- The wire connection should be separate from the power cable line.

Indoor unit

Indoor unit functions such as Operation/Stop can be done by using indoor unit terminal.



*1: The switch can be used on the following condition: DC 12 V to 24 V, 1 mA to 15 mA.

External Input and Output PCB

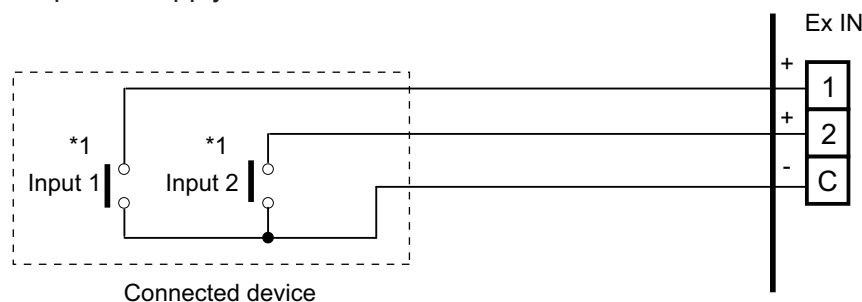
The indoor unit Operation/Stop can be set by using the input terminal on the PCB.

Input select

Use either one of these types of terminal according to the application. (Both types of terminal cannot be used simultaneously.)

– Dry contact

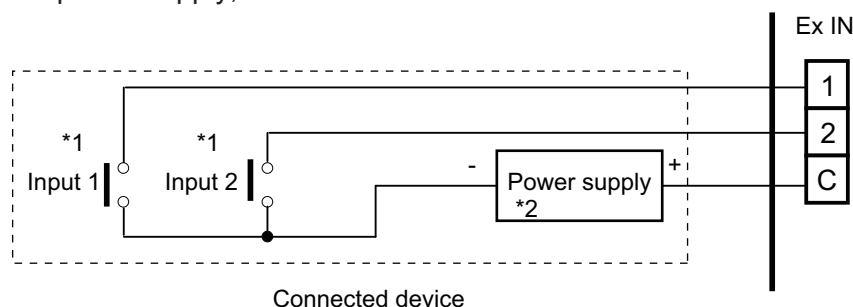
In case of internal power supply, set the slide switch of SW1 to "NON VOL" side.



*1: The switches can be used on the following condition: DC 12 V to 24 V, 1 mA to 15 mA.

– Apply voltage

In case of external power supply, set the slide switch of SW1 to "VOL" side.



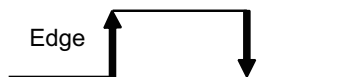
*1: The switches can be used on the following condition: DC 12 V to 24 V, 1 mA to 15 mA.

*2: Make the power supply DC 12 V to 24 V, 10 mA or more.

● Input signal type

• Indoor unit

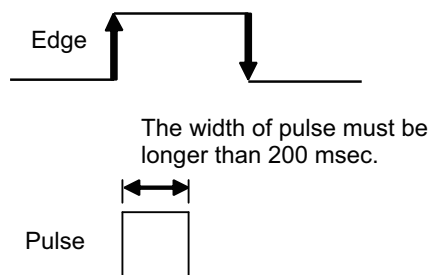
Input signal type is only "Edge".



• External Input and Output PCB

The input signal type can be selected.

Signal type (edge or pulse) can be switched by the DIP switch 2 (SW2) on the External Input and Output PCB.



NOTE: The input signal supports the following switch type:

- Edge: Alternate type switch
- Pulse: Momentary type switch

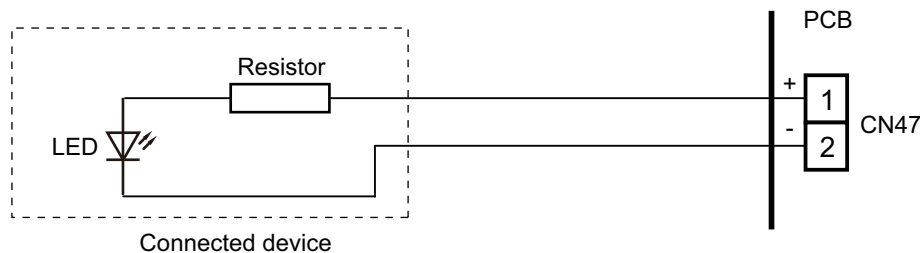
External output

Use an external output cable with appropriate external dimension, depending on the number of cables to be installed.

Indoor unit

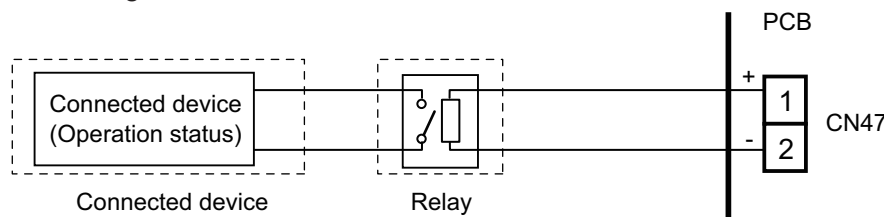
- A twisted pair cable (22 AWG) should be used. Maximum length of cable is 25 m.
- Output voltage: High DC 12 V \pm 2 V, Low 0 V.
- Permissible current: 50 mA
- For details, refer to "[Setting of external input and output](#)" on page 190.
- **When indicator, etc. are connected directly**

Example: Function setting number 60 is set to "00"



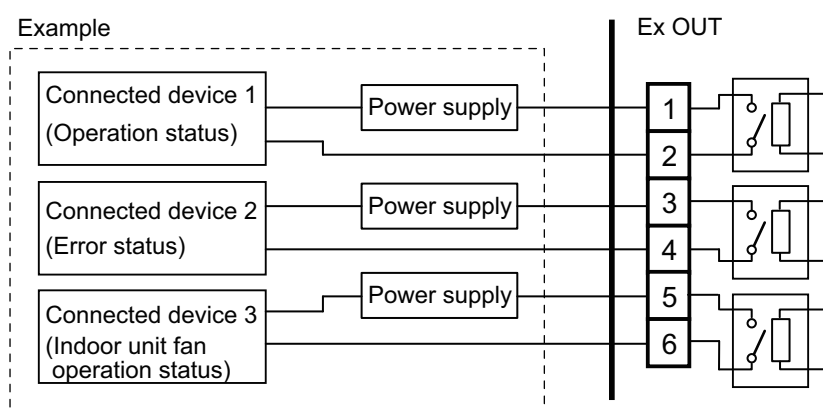
- **When connecting with a device equipped with a power supply**

Example: Function setting number 60 is set to "00"



External Input and Output PCB

- A twisted pair cable (22 AWG) should be used.
- Permissible voltage and current: DC 5 V to 30 V/3 A, AC 30 V to 250 V/3 A
- For details, refer to "[Setting of external input and output](#)" on page 190.



■ Setting of external input and output

• Indoor unit

| Input | | |
|------------------|----------------------------|-----------------------|
| Connection point | Function setting number 46 | Function |
| Terminal | 00 | Operation/Stop mode 1 |
| | 01 | (Setting prohibited) |
| | 02 | Forced stop mode |
| | 03 | Operation/Stop mode 2 |

| Output | | |
|------------------|----------------------------|----------------------------------|
| Connection point | Function setting number 60 | Function |
| CN47 | 00 | Operation/Stop |
| | 01 to 08 | (Setting prohibited) |
| | 09 | Error status |
| | 10 | Indoor unit fan operation status |
| | 11 | External heater output |

• External Input and Output PCB

| Switch setting | | Input | | Output | | |
|----------------|-------|-----------------------|---------------|----------------|----------------------------------|----------------------------------|
| Rotary switch | SW2 | Ex IN 1 | Ex IN 2 | Ex OUT 1 | Ex OUT 2 | Ex OUT 3 |
| 1 | Edge | Operation/Stop | Not available | Operation/Stop | Error status | Indoor unit fan operation status |
| | Pulse | Operation | Stop | | | |
| 2 | Edge* | Forced thermostat off | Not available | Error status | Indoor unit fan operation status | External heater output |
| 3 to 9, A | | (Setting prohibited) | | | | |
| B | | Forced thermostat off | Not available | Operation/Stop | Indoor unit fan operation status | External heater output |
| C | | Forced thermostat off | Not available | Operation/Stop | Error status | External heater output |
| D | | Forced thermostat off | Not available | Operation/Stop | Indoor unit fan operation status | Error status |

NOTES:

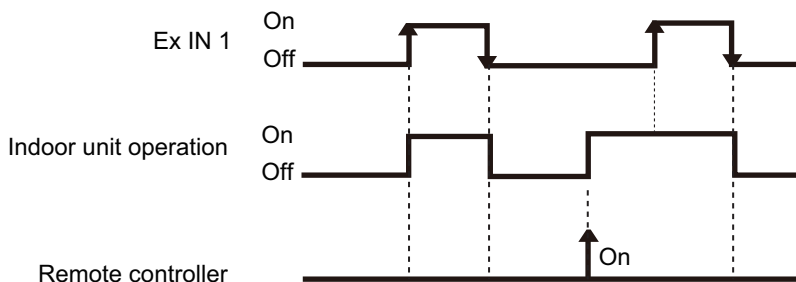
- When the rotary switch is selected to "1", the operation of the terminal input of the indoor unit and the External Input and Output PCB input are the same. The operation content depends on the setting of function setting number 46.
- *: The external input other than "Operation/Stop" is available only when the SW2 is set to "Edge".

■ Details of control input function

● Operation/Stop mode 1

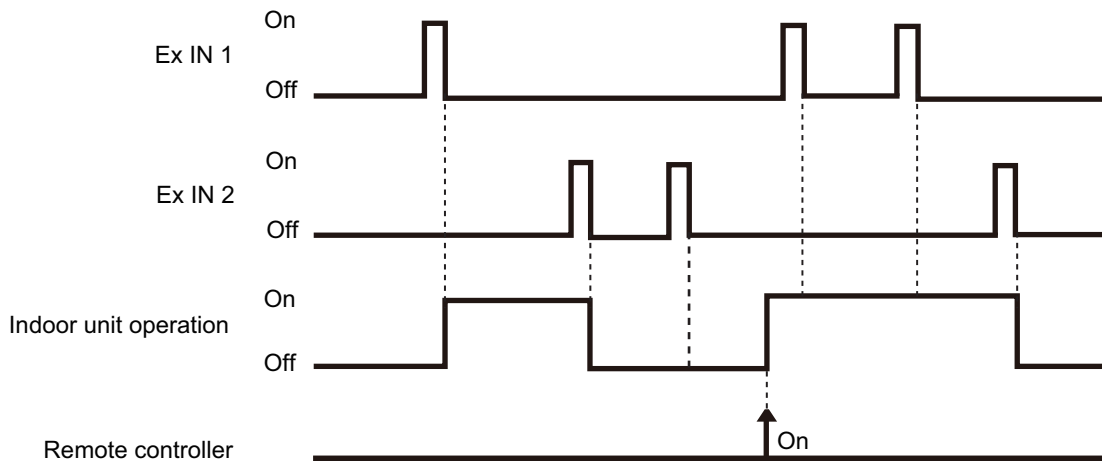
- In the case of "Edge" input

| Function setting | External Input and Output PCB | | External input | | Input signal | Command |
|------------------|-------------------------------|------|-------------------------------|----------|--------------|-----------|
| | Rotary switch | SW2 | | | | |
| 46-00 | — | | Input of indoor unit | Terminal | Off → On | Operation |
| | | | | | On → Off | Stop |
| | 1 | Edge | External Input and Output PCB | Ex IN 1 | Off → On | Operation |
| | | | | | On → Off | Stop |



- In the case of "Pulse" input

| Function setting | External Input and Output PCB | | External input | | Input signal | Command |
|------------------|-------------------------------|-------|-------------------------------|---------|--------------|-----------|
| | Rotary switch | SW2 | | | | |
| 46-00 | 1 | Pulse | External Input and Output PCB | Ex IN 1 | Pulse | Operation |
| | | | | Ex IN 2 | | Stop |



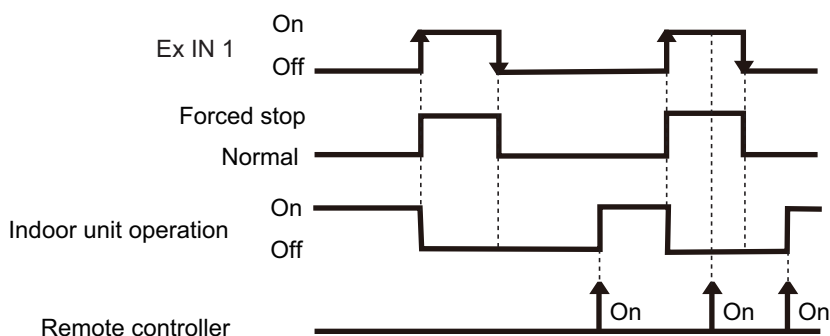
NOTES:

- The last command has priority.
- The indoor units within the same remote controller group operates in the same mode.

● Forced stop

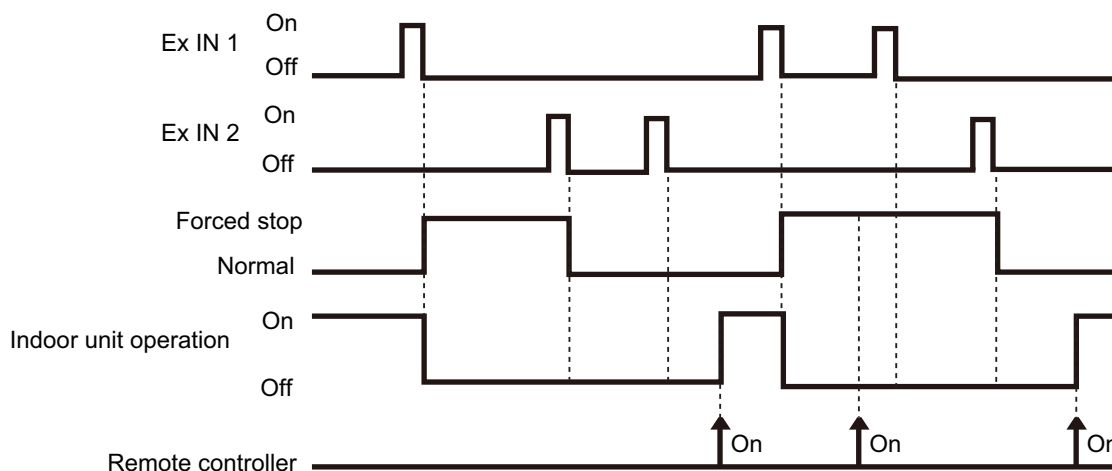
- In the case of "Edge" input

| Function setting | External Input and Output PCB | | External input | | Input signal | Command |
|------------------|-------------------------------|------|-------------------------------|----------|--------------|-----------------------------|
| | Rotary switch | SW2 | | | | |
| 46-02 | — | | Input of indoor unit | Terminal | Off → On | Forced stop (R.C. disabled) |
| | | | | | On → Off | Normal (R.C. enabled) |
| | 1 | Edge | External Input and Output PCB | Ex IN 1 | Off → On | Forced stop (R.C. disabled) |
| | | | | | On → Off | Normal (R.C. enabled) |



- In the case of "Pulse" input

| Function setting | External Input and Output PCB | | External input | | Input signal | Command |
|------------------|-------------------------------|-------|-------------------------------|---------|--------------|-----------------------------|
| | Rotary switch | SW2 | | | | |
| 46-02 | 1 | Pulse | External Input and Output PCB | Ex IN 1 | Pulse | Forced stop (R.C. disabled) |
| | | | | Ex IN 2 | | Normal (R.C. enabled) |



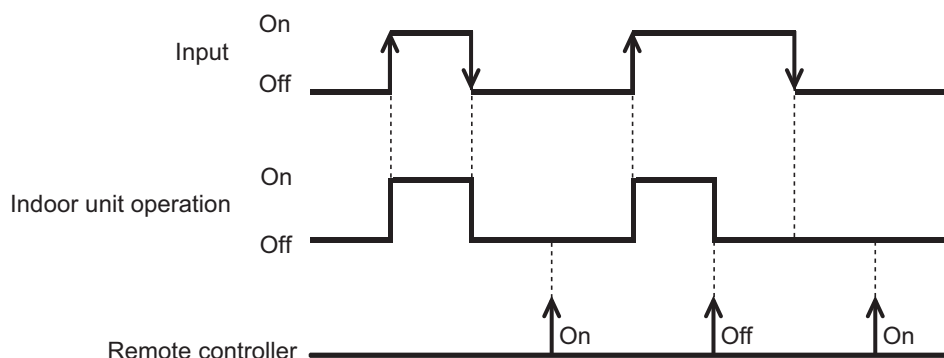
NOTES:

- When the forced stop is triggered, indoor unit stops and Operation/Stop operation by the remote controller is restricted.
- When forced stop function is used with forming a remote controller group, connect the same equipment to each indoor unit within the group.

● Operation/Stop mode 2

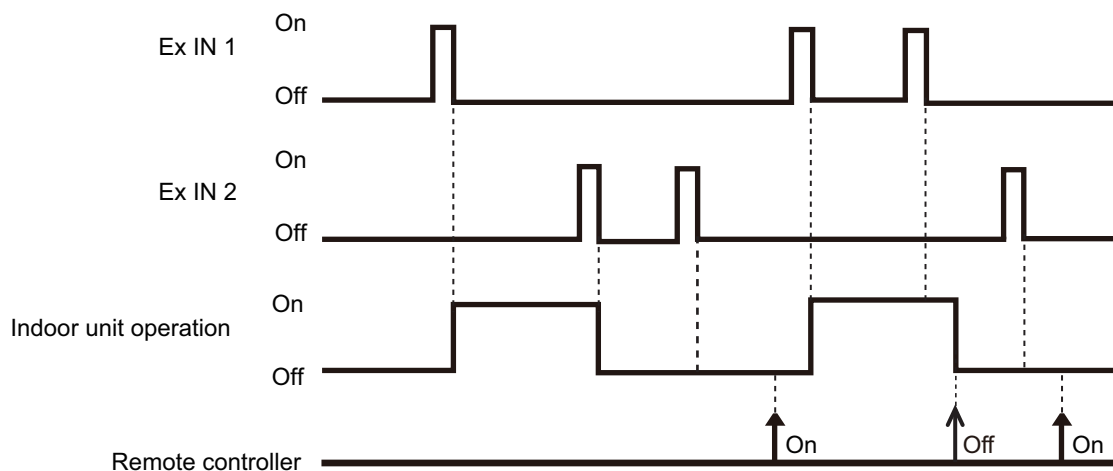
- In the case of "Edge" input

| Function setting | External Input and Output PCB | | External input | | Input signal | Command |
|------------------|-------------------------------|------|-------------------------------|----------|--------------|--------------------------|
| | Rotary switch | SW2 | | | | |
| 46-03 | — | | Input of indoor unit | Terminal | Off → On | Operation (R.C. enabled) |
| | | | | | On → Off | Stop (R.C. disabled) |
| | 1 | Edge | External Input and Output PCB | Ex IN 1 | Off → On | Operation (R.C. enabled) |
| | | | | | On → Off | Stop (R.C. disabled) |



- In the case of "Pulse" input

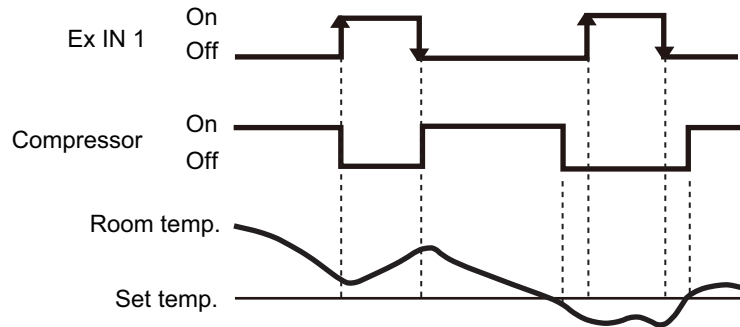
| Function setting | External Input and Output PCB | | External input | | Input signal | Command |
|------------------|-------------------------------|-------|-------------------------------|---------|--------------|--------------------------|
| | Rotary switch | SW2 | | | | |
| 46-03 | 1 | Pulse | External Input and Output PCB | Ex IN 1 | Pulse | Operation (R.C. enabled) |
| | | | | Ex IN 2 | | Stop (R.C. disabled) |



NOTE: When "Operation/Stop" mode 2 function is used with forming a remote controller group, connect the same equipment to each indoor unit within the group.

● Forced thermostat off

| External Input and Output PCB | External input | | Input signal | Command |
|-------------------------------|-------------------------------|---------|--------------|------------------|
| Rotary switch | Ex IN 1 | | Off → On | Thermostat off |
| 2, B, C, D | External Input and Output PCB | Ex IN 1 | On → Off | Normal operation |

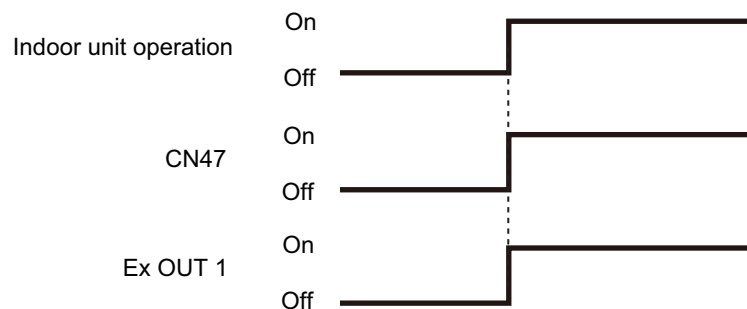


■ Details of control output function

● Operation status

| Function setting | External Input and Output PCB | External output | | Output signal | Status |
|------------------|-------------------------------|-------------------------------|----------|---------------|-----------|
| | Rotary switch | | | | |
| 60-00 | — | Output of indoor unit | CN47 | Off → On | Operation |
| | | | | On → Off | Stop |
| — | 1, B, C, D | External Input and Output PCB | Ex OUT 1 | Off → On | Operation |
| | | | | On → Off | Stop |

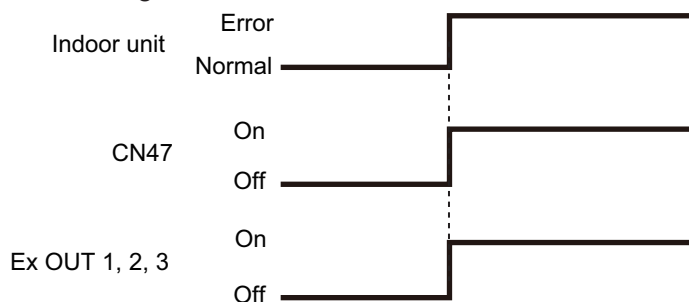
The output is low when the unit is stopped.



● Error status

| Function setting | External Input and Output PCB | External output | | Output signal | Status |
|------------------|-------------------------------|-------------------------------|----------|---------------|--------|
| | Rotary switch | | | | |
| 60-09 | — | Output of indoor unit | CN47 | Off → On | Error |
| | | | | On → Off | Normal |
| — | 2 | External Input and Output PCB | Ex OUT 1 | Off → On | Error |
| | | | | On → Off | Normal |
| — | 1, C | External Input and Output PCB | Ex OUT 2 | Off → On | Error |
| | | | | On → Off | Normal |
| — | D | External Input and Output PCB | Ex OUT 3 | Off → On | Error |
| | | | | On → Off | Normal |

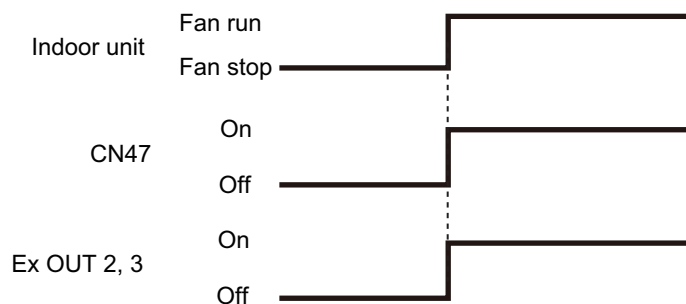
The output is on when an error is generated for the indoor unit.



● Indoor unit fan operation status

| Function setting | External Input and Output PCB | External output | | Output signal | Status |
|------------------|-------------------------------|-------------------------------|----------|---------------|----------|
| | Rotary switch | | | | |
| 60-10 | — | Output of indoor unit | CN47 | Off → On | Fan run |
| | | | | On → Off | Fan stop |
| — | 2, B, D | External Input and Output PCB | Ex OUT 2 | Off → On | Fan run |
| | | | | On → Off | Fan stop |
| — | 1 | External Input and Output PCB | Ex OUT 3 | Off → On | Fan run |
| | | | | On → Off | Fan stop |

| Output signal | Condition |
|---------------|--|
| On | The indoor unit fan is operating. |
| Off | The fan is stopped or during cold air prevention. During thermostat off when in dry mode operation. |



● External heater output

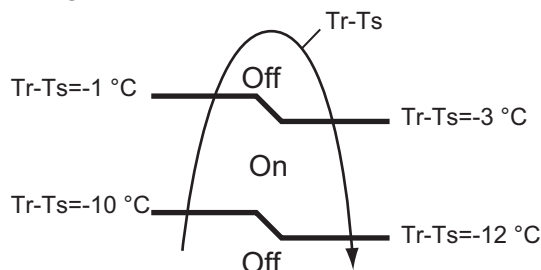
| Function setting | External Input and Output PCB | External output | | Output signal | Control |
|------------------|-------------------------------|-------------------------------|----------|---------------|------------|
| | Rotary switch | | | | |
| 60-11 | — | Output of indoor unit | CN47 | Off → On | Heater on |
| | | | | On → Off | Heater off |
| — | 2, B, C | External Input and Output PCB | Ex OUT 3 | Off → On | Heater on |
| | | | | On → Off | Heater off |

| Output signal | Condition |
|---------------|---|
| Off → On | Heater turns on as shown in diagram of heating temperature |
| On → Off | Heater turns off as shown in diagram of heating temperature <ul style="list-style-type: none"> • Other than Heating mode • Error occurred • Forced thermo off • Fan stop protection |

Specifications of the signal output performance are as shown as follows:

Example: When set temperature (T_s) is set at 22°C;

- And room temperature (T_r) increase above 12°C, signal output is on.
- And T_r increase above 21°C, signal output is off.
- And T_r decrease below 19°C, signal output is on.
- And T_r decrease below 10°C, signal output is off.

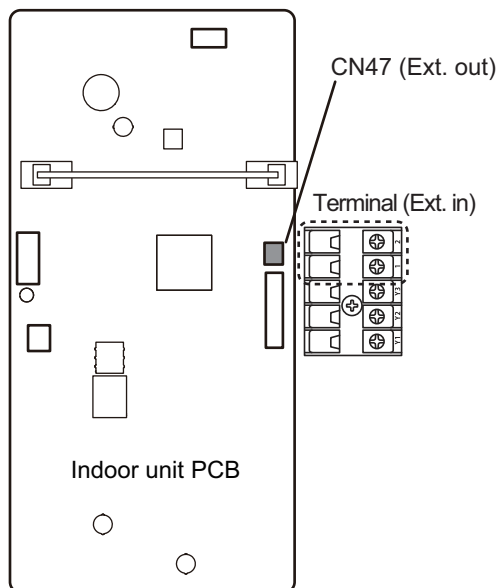


The output also turns off in defrost operation.

12-2. Mini duct type, Slim duct type, and Medium static pressure duct type (ARXG22KMLB)

Exterior of the indoor unit PCB and the component location differ by the type of the indoor unit as follows.

- Mini duct type, Slim duct type, and Medium static pressure duct types (ARXG22KMLB):



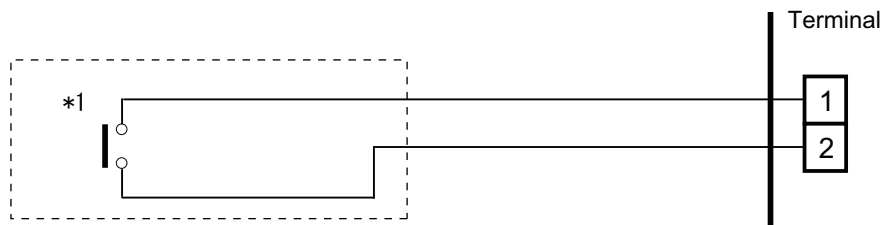
| External input and output | | Connector | Input select | Input signal | External connect kit (Optional parts) |
|---------------------------|----------------------------------|-----------|--------------|--------------|---------------------------------------|
| External input | Operation/Stop Forced stop | Terminal | Dry contact | Edge | — |
| External output | Operation status | CN47 | — | — | UTY-XWZXZG |
| | Error status | | | | |
| | Indoor unit fan operation status | | | | |
| | External heater output | | | | |

External input

With using external input function, some functions on this product can be controlled from an external device.

- "Operation/Stop" mode or "Forced stop" mode can be selected with function setting of indoor unit.
- A twisted pair cable (22AWG) should be used. Maximum length of cable is 150 m.
- The wire connection should be separate from the power cable line.

Indoor unit functions such as Operation/Stop can be done by using indoor unit terminals.



*1: The switch can be used on the following condition: DC 12 V to 24 V, 1 mA to 15 mA.

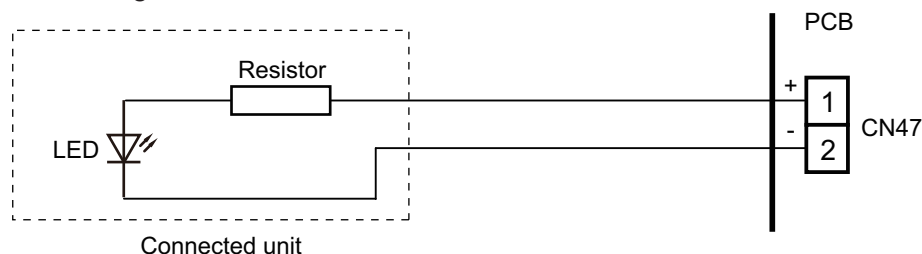
External output

Use an external output cable with appropriate external dimension, depending on the number of cables to be installed.

- A twisted pair cable (22AWG) should be used. Maximum length of cable is 25 m.
- Output voltage: High DC 12 V \pm 2 V, Low 0 V.
- Permissible current: 50 mA
- For details, refer to "[Combination of external input and output](#)" on page 200.

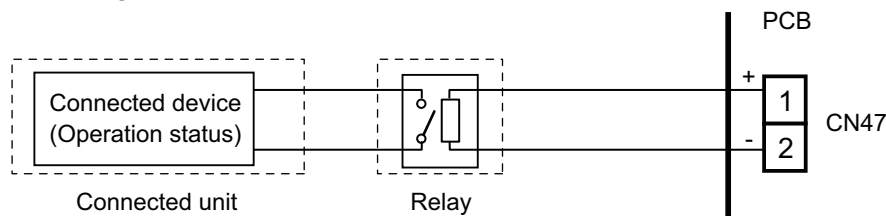
When indicator, etc. are connected directly

Example: Function setting 60 is set to "00"



When connecting with a device equipped with a power supply

Example: Function setting 60 is set to "00"



■ Combination of external input and output

By combining the function setting of the indoor unit, you can select various combinations of functions.

Combination examples of external input and output are as follows:

| Mode | Function setting | External input | External output |
|------|------------------|----------------------|----------------------------------|
| | | Terminal | CN47 |
| 0 | 60—00 | Operation/Stop | |
| 1—8 | 60—01 to 60—08 | (Setting prohibited) | |
| 9 | 60—09 | Operation/Stop | Error status |
| 10 | 60—10 | Operation/Stop | Indoor unit fan operation status |
| 11 | 60—11 | Operation/Stop | External heater output |

NOTE: Input of Operation/Stop depends on the setting of function setting 46.

- 00: Operation/Stop mode 1 (Remote controller enabled)
- 01: (Setting prohibited)
- 02: Forced stop
- 03: Operation/Stop mode 2 (Remote controller disabled)

● Input signal type

- Indoor unit
Input signal type is only "Edge".

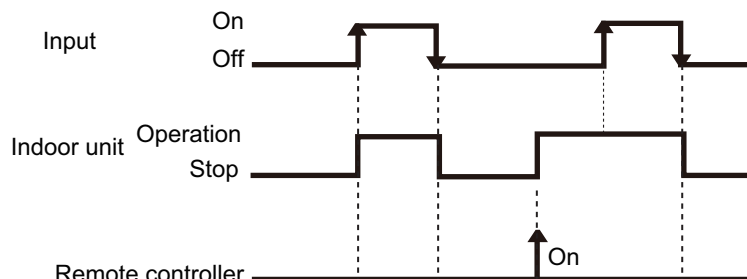


■ Details of function

● Control input function

- When function setting is "Operation/Stop" mode 1

| Function setting | External input | Input signal | Command |
|------------------|----------------|--------------|-----------|
| 46—00 | Terminal | Off → On | Operation |
| | | On → Off | Stop |

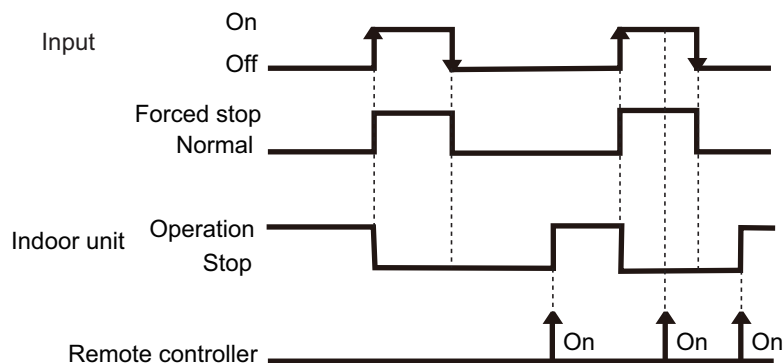


NOTES:

- The last command has priority.
- The indoor units within the same remote controller group operates in the same mode.

- When function setting is "Forced stop" mode

| Function setting | External input | Input signal | Command |
|------------------|----------------|--------------|-------------|
| 46—02 | Terminal | Off → On | Forced stop |
| | | On → Off | Normal |

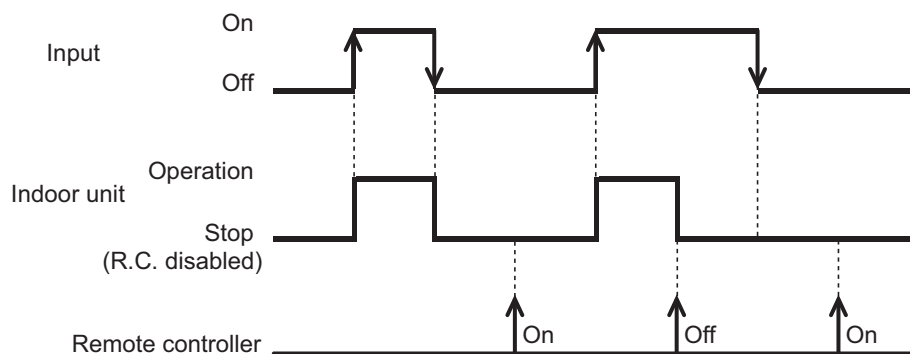


NOTES:

- When the forced stop is triggered, indoor unit stops and Operation/Stop operation by the remote controller is restricted.
- When forced stop function is used with forming a remote controller group, connect the same equipment to each indoor unit within the group.

• When function setting is "Operation/Stop" mode 2

| Function setting | External input | Input signal | Command |
|------------------|----------------|--------------|-----------------------------------|
| 46—03 | Terminal | Off → On | Operation |
| | | On → Off | Stop (Remote controller disabled) |

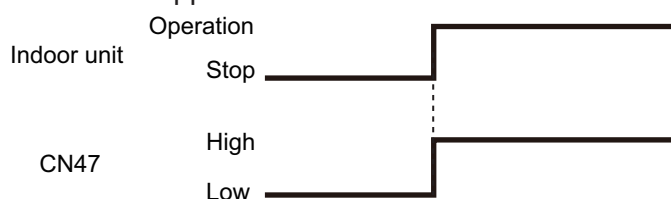


NOTE: When "Operation/Stop" mode 2 function is used with forming a remote controller group, connect the same equipment to each indoor unit within the group.

● Control output function

| Function setting | External output | Output signal | Command |
|------------------|-----------------|---------------|-----------|
| 60—00 | CN47 | Low → High | Operation |
| | | High → Low | Stop |

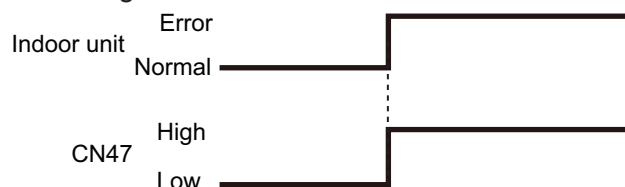
The output is low when the unit is stopped.



● Error status

| Function setting | External output | Output signal | Command |
|------------------|-----------------|---------------|---------|
| 60—09 | CN47 | Low → High | Error |
| | | High → Low | Normal |

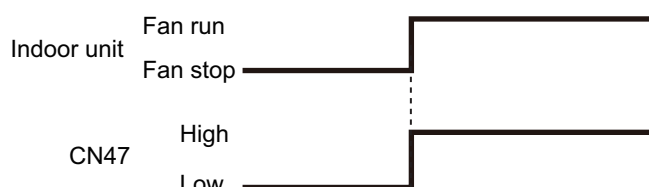
The output is ON when an error is generated for the indoor unit.



● Indoor unit fan operation status

| Function setting | External output | Output signal | Command |
|------------------|-----------------|---------------|----------|
| 60—10 | CN47 | Low → High | Fan run |
| | | High → Low | Fan stop |

| Output signal | Condition |
|---------------|--|
| On | The indoor unit fan is operating. |
| Low → High | |
| Off | The fan is stopped or during cold air prevention. During thermostat off when in dry mode operation. |
| High → Low | |



● External heater output

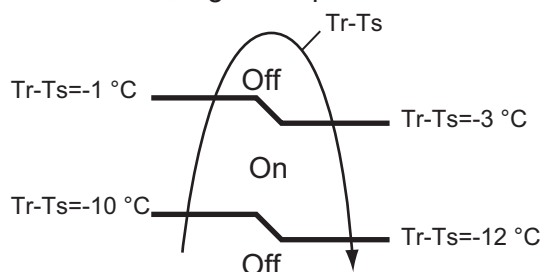
| Function setting | External output | Output signal | Command |
|------------------|-----------------|---------------|------------|
| 60—11 | CN47 | Low → High | Heater on |
| | | High → Low | Heater off |

| Output signal | Condition |
|---------------|---|
| Low → High | Heater turns on as shown in diagram of heating temperature |
| Off → On | |
| High → Low | Heater turns off as shown in diagram of heating temperature |
| On → Off | <ul style="list-style-type: none"> • Other than Heating mode • Error occurred • Forced thermo off • Fan stop protection |

Specifications of the signal output performance are as shown as follows:

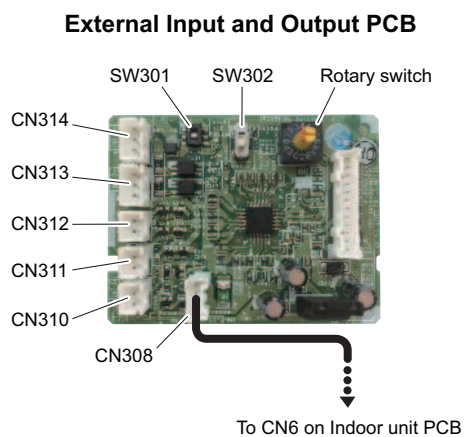
Example When set temperature (T_s) is set at 22 °C;

- And room temperature (T_r) increase above 12 °C, signal output is on.
- And T_r increase above 21 °C, signal output is off.
- And T_r decrease below 19 °C, signal output is on.
- And T_r decrease below 10 °C, signal output is off.



The output also turns off in defrost operation.

12-3. Wall mounted type (KGTB, 18-24KMTB, KETA, and KETA-B)



| PCB | External input | External output | Connector | Input select | Input signal |
|--|-----------------------|----------------------------------|-----------------|-------------------------------|--------------|
| External input and output (UTY-XCSXZ2) | Operation/Stop | - | CN313/ CN314 | Dry contact/ Apply voltage | Edge/Pulse |
| | Forced stop | | CN313 | | Edge |
| | Forced thermostat off | | | Operation status | CN310 |
| | - | Error status | CN311 | | |
| | | Indoor unit fan operation status | CN312 | | |

NOTE: KETA, KETA-B: External Input and Output PCB cannot be used with WLAN Adapter simultaneously.

External input

With using external input function, some functions on this product can be controlled from an external device.

- "Operation/Stop" mode or "Forced stop" mode can be selected with function setting of indoor unit.
- A twisted pair cable should be used. Maximum length of cable is 150 m.
- The wire connection should be separate from the power cable line.

External Input and Output PCB

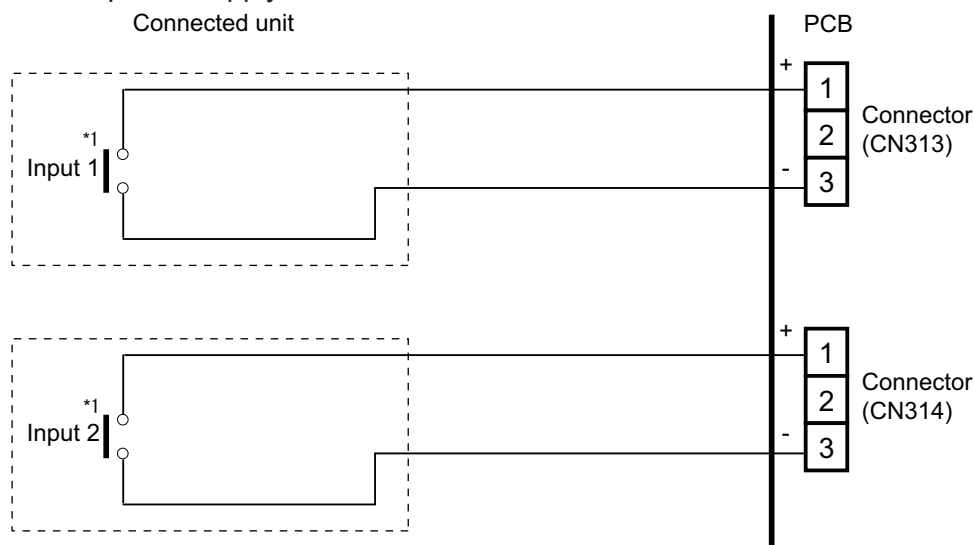
The indoor unit Operation/Stop can be set by using the input connector on the PCB.

Input select:

Use either one of these types of connectors according to the application. (Both types of connectors cannot be used simultaneously.)

– Dry contact

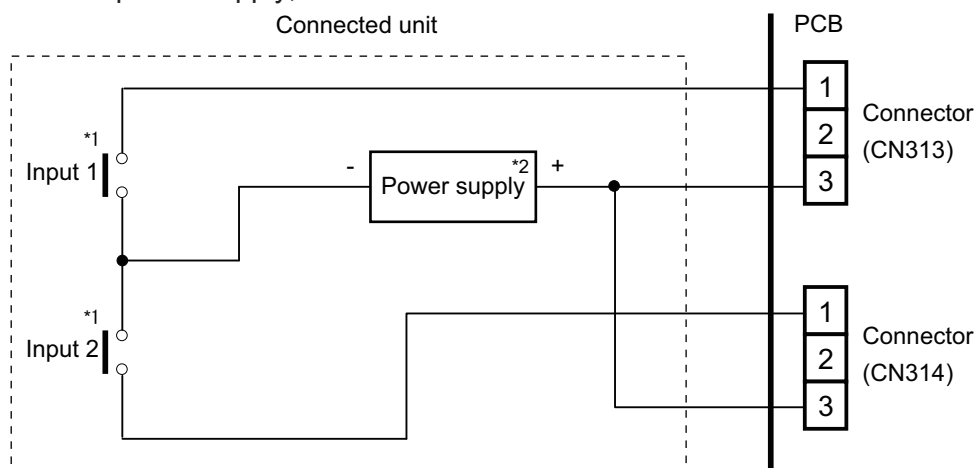
In case of internal power supply, set the slide switch of SW301 to "NON VOL" side.



*1: The switches can be used on the following condition: DC 12 V to 24 V, 1 mA to 15 mA.

– Apply voltage

In case of external power supply, set the slide switch of SW301 to "VOL" side.



*1: The switches can be used on the following condition: DC 12 V to 24 V, 1 mA to 15 mA.

*2: Make the power supply DC 12 to 24 V, 10 mA or more.

External output

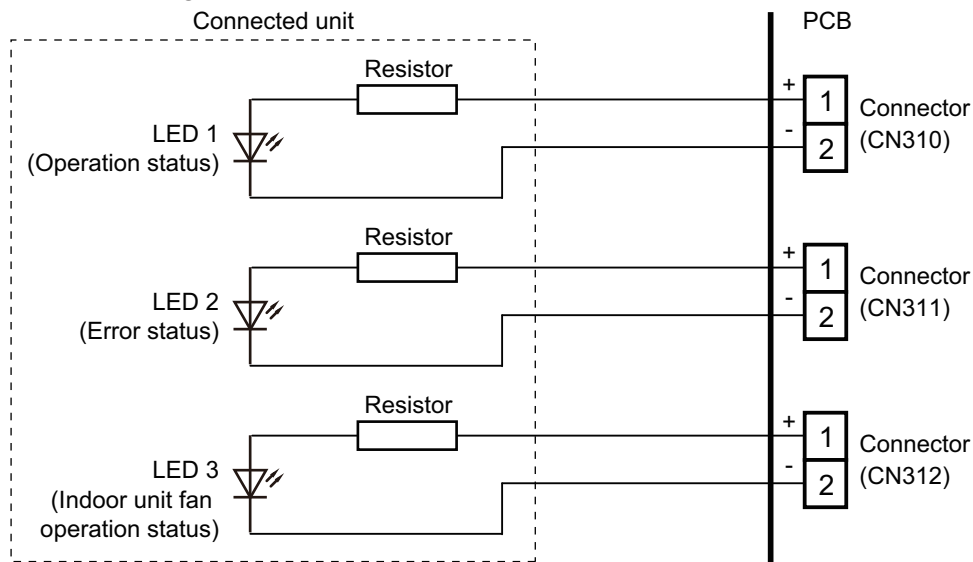
Use an external output cable with appropriate external dimension, depending on the number of cables to be installed.

External Input and Output PCB

- A twisted pair cable (22AWG) should be used. Maximum length of cable is 25 m.
- Output voltage: High DC 12 V \pm 2 V, Low 0 V.
- Permissible current: 50 mA
- For details, refer to ["Combination of external input and output"](#) on page 207.

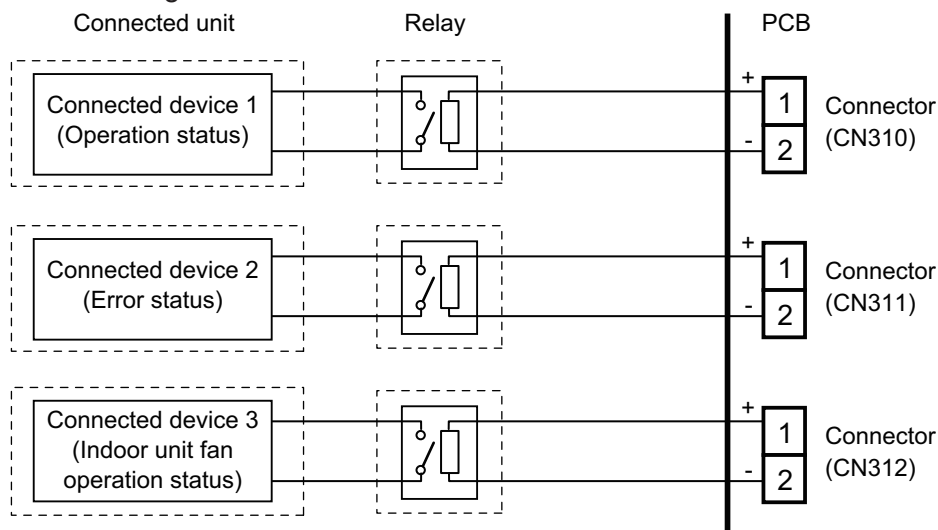
When indicator or other components are connected directly:

Example: Function setting 60 is set to "00".



When connecting with a device equipped with a power supply:

Example: Function setting 60 is set to "00".



■ Combination of external input and output

By combining the function setting of the indoor unit and rotary switch setting of the External Input and Output PCB, you can select various combinations of functions.

Combination examples of external input and output are as follows:

| Mode | Function setting | External Input and Output PCB (Rotary SW) | External input | | |
|------|------------------|---|-------------------------------|---------------|-------------|
| | | | External Input and Output PCB | | |
| | | | CN313 | CN314 | Signal type |
| 0-1 | 60-00 | 1 | Operation/Stop | Not available | Edge |
| | | | Operation | Stop | Pulse |
| 0-2 | 60-00 | 2 | Forced Thermostat OFF | Not available | Edge |
| 1—8 | 60-01 to 60-08 | 3 - 9, A | (Setting prohibited) | | |
| 9 | 60-09 | B | Forced Thermostat OFF | Not available | Edge |
| 10 | 60-10 | C | Forced Thermostat OFF | Not available | Edge |
| 11 | 60-11 | D | Forced Thermostat OFF | Not available | Edge |

| Mode | Function setting | External Input and Output PCB (Rotary SW) | External output | | |
|------|------------------|---|-------------------------------|----------------------------------|----------------------------------|
| | | | External Input and Output PCB | | |
| | | | CN310 | CN311 | CN312 |
| 0-1 | 60-00 | 1 | Operation/Stop | Error status | Indoor unit fan operation status |
| 0-2 | 60-00 | 2 | Error status | Indoor unit fan operation status | Not available |
| 1—8 | 60-01 to 60-08 | 3 - 9, A | (Setting prohibited) | | |
| 9 | 60-09 | B | Operation/Stop | Indoor unit fan operation status | Not available |
| 10 | 60-10 | C | Operation/Stop | Error status | Not available |
| 11 | 60-11 | D | Operation/Stop | Indoor unit fan operation status | Error status |

NOTE: Input of Operation/Stop depends on the setting of function setting 46.

00: Operation/Stop mode 1 (Remote controller enabled)

01: (Setting prohibited)

02: Forced stop

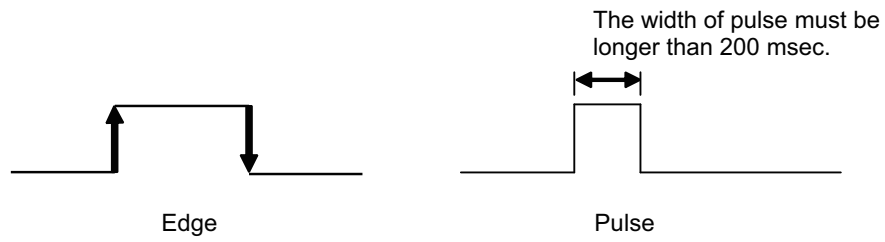
03: Operation/Stop mode 2 (Remote controller disabled)

● Input signal type

External Input and Output PCB:

The input signal type can be selected.

Signal type (edge or pulse) can be switched by the DIP switch SW302 on the External Input and Output PCB.



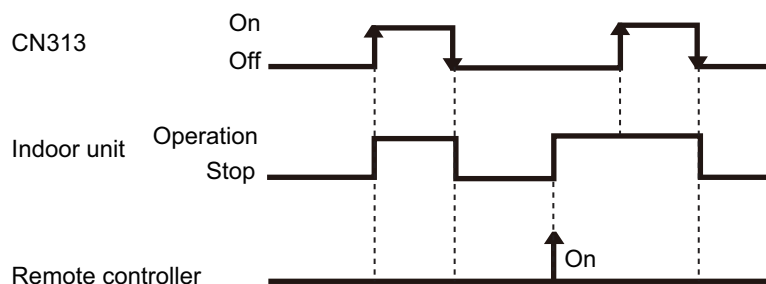
■ Details of function

● Control input function

- When function setting is "Operation/Stop" mode 1

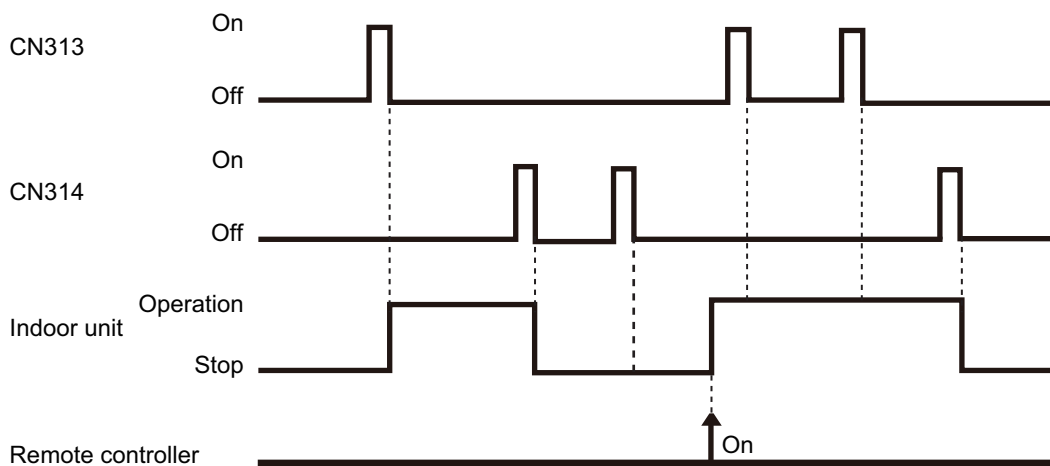
– In the case of "Edge" input:

| Function setting / | Rotary SW on External Input and Output PCB | External input | | Input signal | Command |
|--------------------|--|-------------------------------|-------|--------------|-----------|
| | | External Input and Output PCB | CN313 | Off → On | Operation |
| 46-00 | 60-00 / 1 | | | On → Off | Stop |



– In the case of "Pulse" input:

| Function setting / | Rotary SW on External Input and Output PCB | External input | | Input signal | Command |
|--------------------|--|-------------------------------|-------|--------------|-----------|
| | | External Input and Output PCB | CN313 | Pulse | Operation |
| 46-00 | 60-00 / 1 | | CN314 | Pulse | Stop |



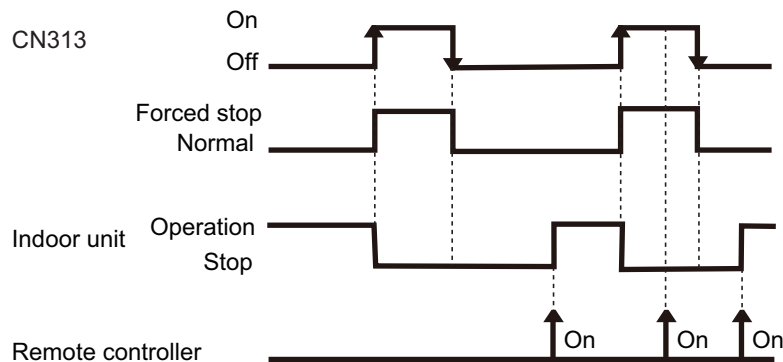
NOTES:

- The last command has priority.
- The indoor units within the same remote controller group operates in the same mode.

• When function setting is "Forced stop" mode

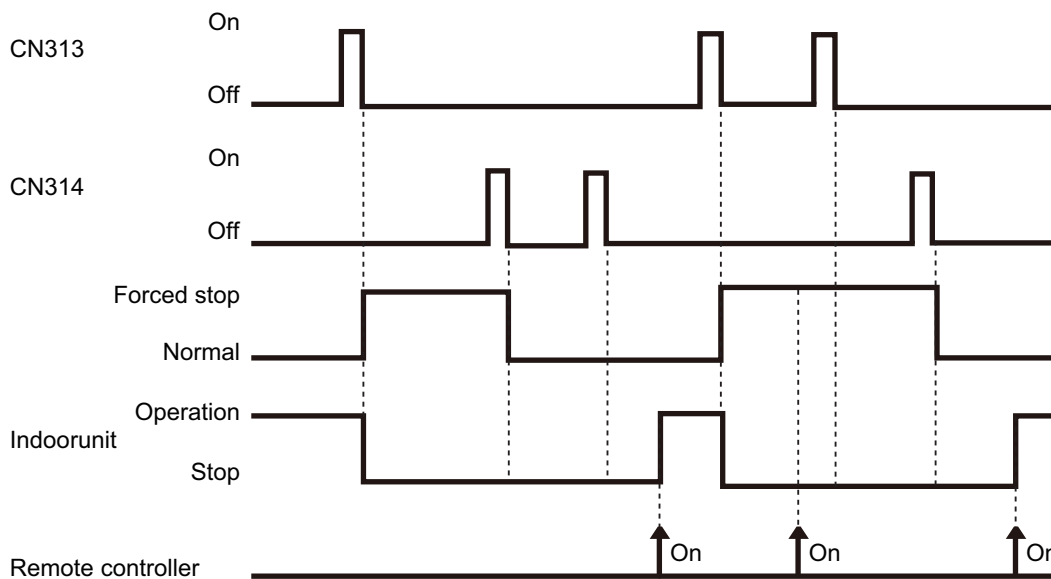
– In the case of "Edge" input:

| Function setting / | Rotary SW on External Input and Output PCB | External input | | Input signal | Command |
|--------------------|--|-------------------------------|-------|--------------|-------------|
| | | External Input and Output PCB | CN313 | Off → On | Forced stop |
| 46-02 | 60-00 / 1 | | | On → Off | Normal |



– In the case of "Pulse" input:

| Function setting / | Rotary SW on External Input and Output PCB | External input | | Input signal | Command |
|--------------------|--|-------------------------------|-------|--------------|-------------|
| | | External Input and Output PCB | CN313 | Pulse | Forced stop |
| 46-02 | 60-00 / 1 | | CN314 | Pulse | Normal |



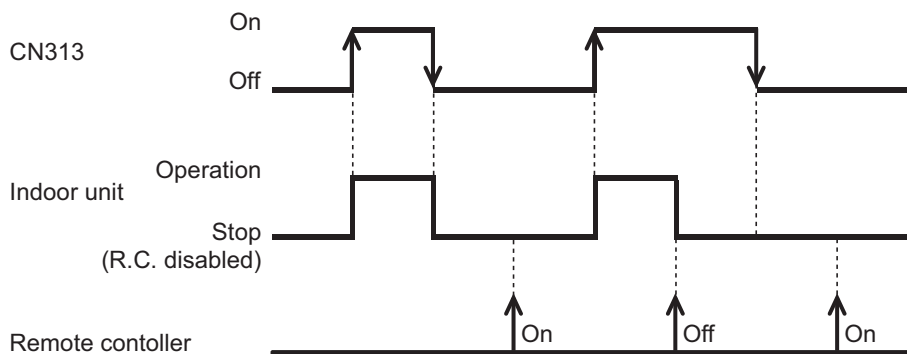
NOTES:

- When the forced stop is triggered, indoor unit stops and Operation/Stop operation by the remote controller is restricted.
- When forced stop function is used with forming a remote controller group, connect the same equipment to each indoor unit within the group.

• When function setting is "Operation/Stop" mode 2

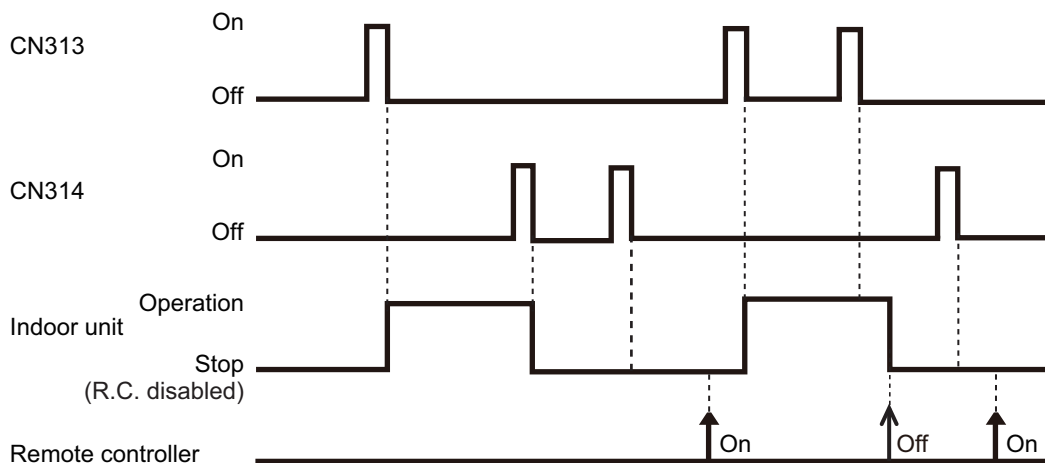
– In the case of "Edge" input:

| Function setting / | Rotary SW on External Input and Output PCB | External input | | Input signal | Command |
|--------------------|--|-------------------------------|-------|--------------|-----------------------------------|
| 46-03 | 60-00 / 1 | External Input and Output PCB | CN313 | Off → On | Operation |
| | | | | On → Off | Stop (Remote controller disabled) |



– In the case of "Pulse" input:

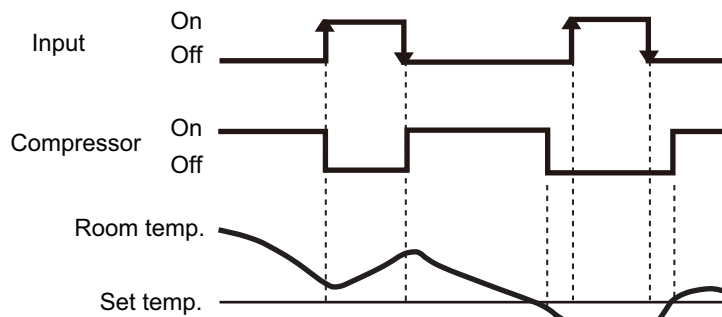
| Function setting / | Rotary SW on External Input and Output PCB | External input | | Input signal | Command |
|--------------------|--|-------------------------------|-------|--------------|-----------------------------------|
| 46-03 | 60-00 / 1 | External Input and Output PCB | CN313 | Pulse | Operation |
| | | | CN314 | Pulse | Stop (Remote controller disabled) |



NOTE: When "Operation/Stop" mode 2 function is used with forming a remote controller group, connect the same equipment to each indoor unit within the group.

• Forced thermostat off function

| Function setting / | Rotary SW on External Input and Output PCB | External input | | Input signal | Command |
|--------------------|--|-------------------------------|-------|--------------|------------------|
| | 60-00 / 2 60-09 / B 60-10 / C | External Input and Output PCB | CN313 | Off → On | Thermostat off |
| | | | | On → Off | Normal operation |

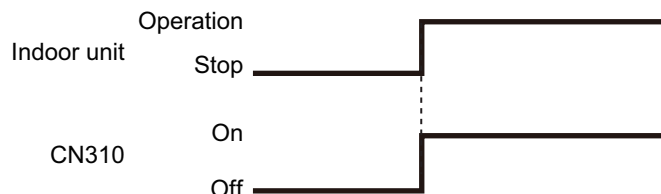


● Control output function

• Operation/Stop status

| Function setting / | Rotary SW on External Input and Output PCB | External output | | Output signal | Command |
|--------------------|--|-------------------------------|-------|---------------|-----------|
| 60-00 / 1 | | External Input and Output PCB | CN310 | Off → On | Operation |
| | | | | On → Off | Stop |

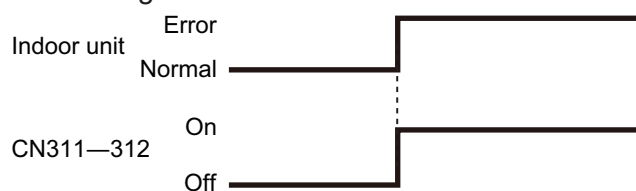
The output is low when the unit is stopped.



• Error status

| Function setting / | Rotary SW on External Input and Output PCB | External output | | Output signal | Command |
|--------------------|--|-------------------------------|-------|---------------|---------|
| 60-00 / 1 | | External Input and Output PCB | CN311 | Off → On | Error |
| | | | | On → Off | Normal |

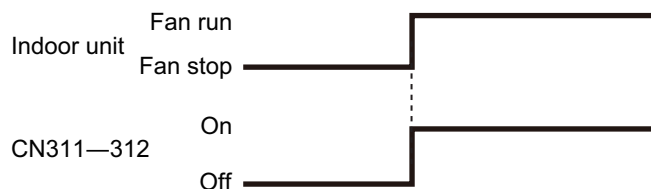
The output is ON when an error is generated for the indoor unit.



• Indoor unit fan operation status

| Function setting / | Rotary SW on External Input and Output PCB | External output | | Output signal | Command |
|--------------------|--|-------------------------------|-------|---------------|----------|
| 60-00 / 1 | | External Input and Output PCB | CN312 | Off → On | Fan run |
| | | | | On → Off | Fan stop |

| Output signal | Condition |
|-------------------|--|
| On Low → High | The indoor unit fan is operating. |
| Off High → Low | The fan is stopped or during cold air prevention. During thermostat off when in dry mode operation. |



12-4. Wall mounted type (07-14KMTB and KMCC)

With using external input and output functions, this product can be operated inter-connectedly with an external device.

| Connector | Input | Output | Remarks |
|-----------|---------------|-------------------------|---|
| CNA01 | Control input | — | See external input/output settings for details. |
| CNB01 | — | Operation status output | |
| CNB02 | — | Error status output | |

■ External input

With using external input function, some functions on this product can be controlled from an external device.

- “Operation/Stop” mode can be selected with function setting of indoor unit.
- A twisted pair cable (22AWG) should be used. Maximum length of cable is 150 m.
- The wire connection should be separate from the power cable line.

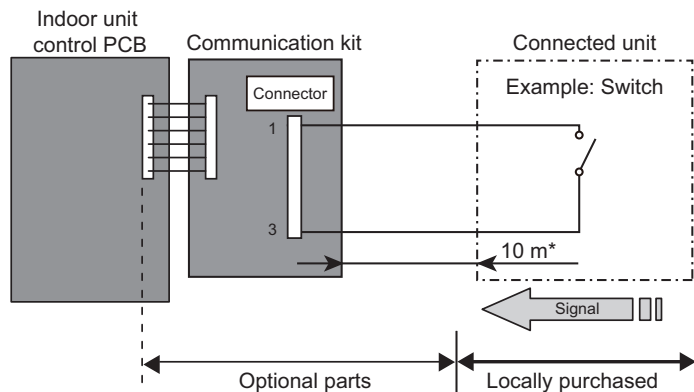
● Control input (Operation/Stop or Forced stop)

The air conditioner can be remotely operated by means of the following on-site work.

Unit operation is started at the following contents by adding the contact input of a commercially available on/off switch to a connector on the external control PCB and turning it on.

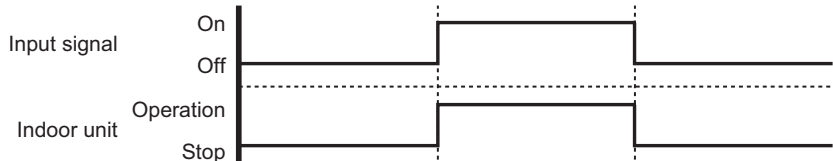
| Unit operation | Initial setting after power is on | Starting mode other than initial setting |
|-----------------------|-------------------------------------|--|
| Operation mode | Auto changeover | Mode at previous operation |
| Set temperature | 24 °C | Temperature at previous operation |
| Airflow mode | AUTO | Mode at previous operation |
| Air direction (swing) | Standard air direction (swing: off) | Air direction at previous operation |

• **Circuit diagram example**

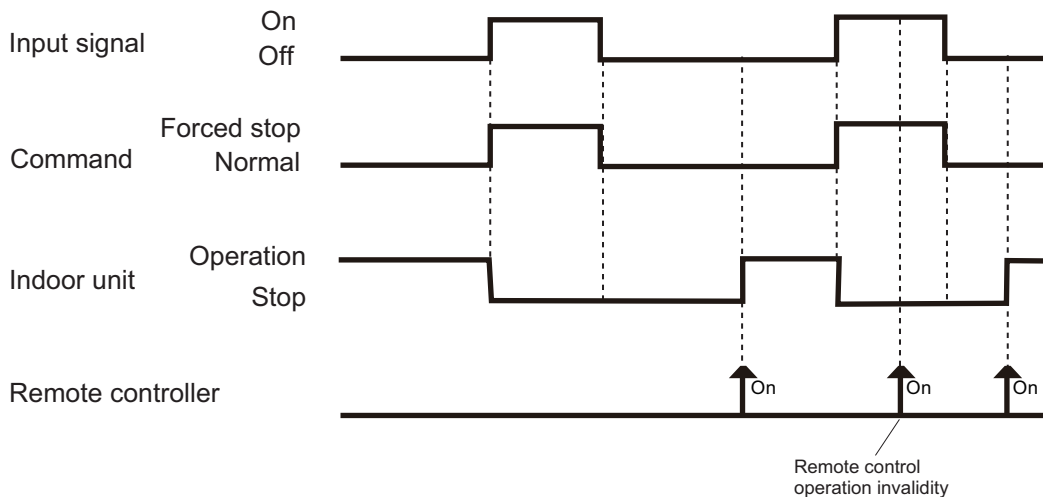


- Contact capacity: DC 24 V or more, 10 mA or more.
- *: Make the distance from the PCB to the connected unit within 10 m.
- Use non-polar relays and switches.

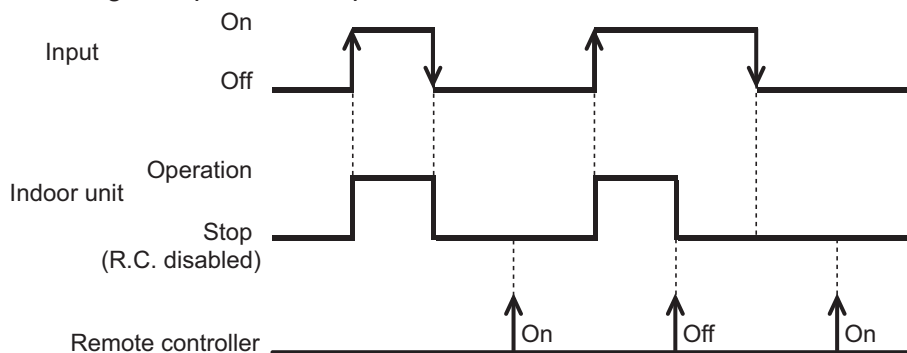
– When function setting is “Operation/Stop” mode



– When function setting is “Forced stop” mode

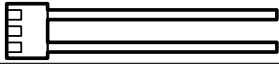
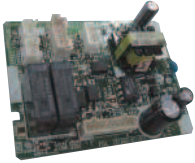


– When function setting is "Operation/Stop" mode 2



NOTE: When "Operation/Stop" mode 2 function is used with forming a remote controller group, connect the same equipment to each indoor unit within the group.

- Optional part

| Part name | Model name | Exterior |
|----------------------|------------|--|
| External Connect Kit | UTY-XWZXZ5 | External input wire  |
| Communication Kit | UTY-TWBXF2 |  |

* For operating the external function, the wall mounted type requires the communication kit in addition to the wire (UTY-XWZXZ5).

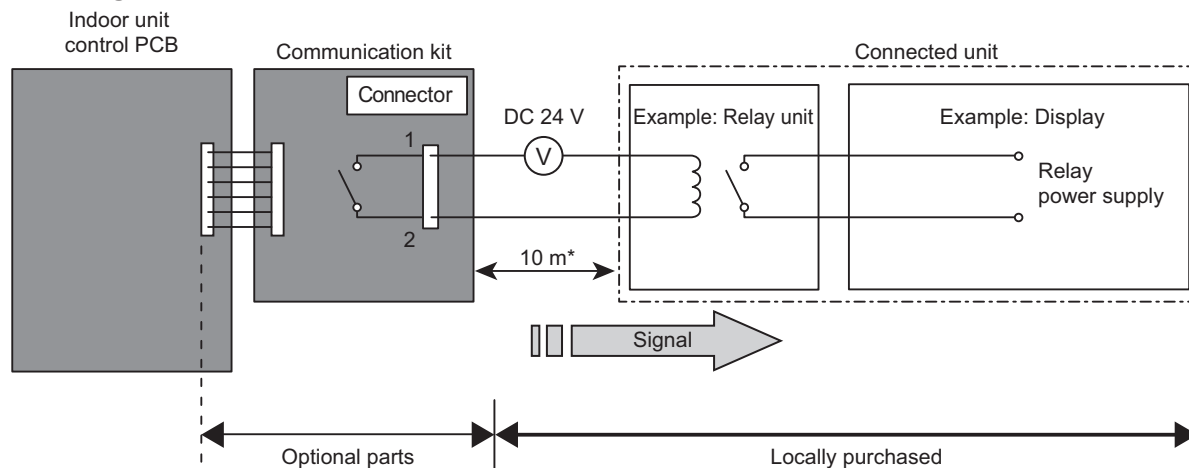
External output

With using external output function, operating status of this product can be transmitted to the external device, and also, this product can be inter-connected with the external device.

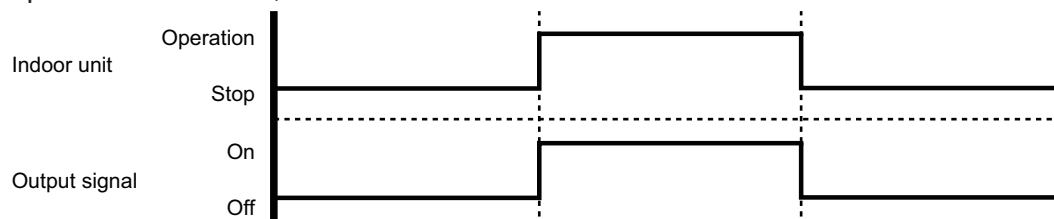
Operation status output

Air conditioner operation status signal can be output.


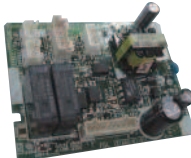
• **Circuit diagram example:**



- *: Make the distance from the PCB to the connected unit within 10 m.
- Relay spec: Max. DC 24 V, 10 mA to less than 500 mA.



• **Optional part:**

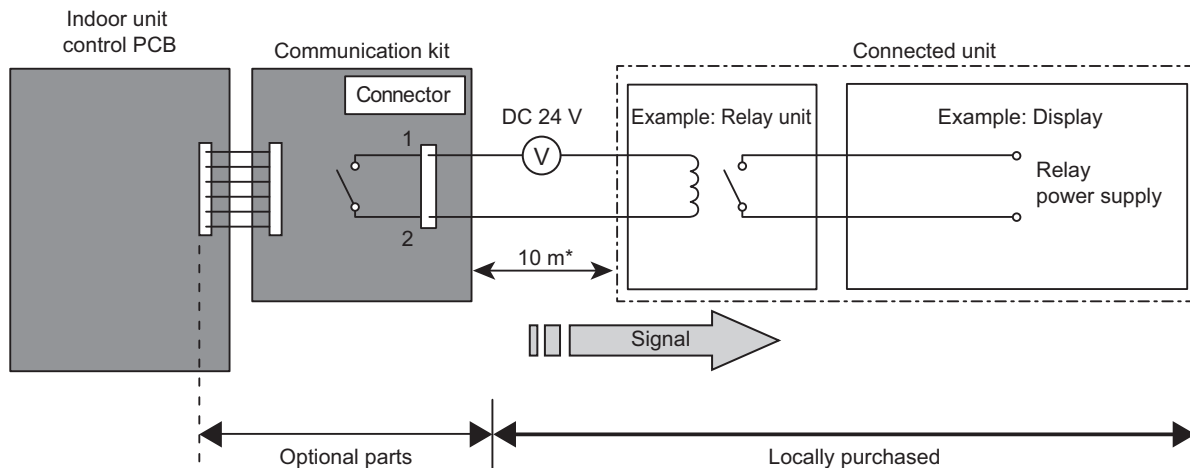
| Part name | Model name | Exterior |
|----------------------|------------|---|
| External Connect Kit | UTY-XWZXZ5 | External output wire  |
| Communication Kit | UTY-TWBXF2 |  |

* For operating the external function, the wall mounted type requires the communication kit in addition to the wire (UTY-XWZXZ5).

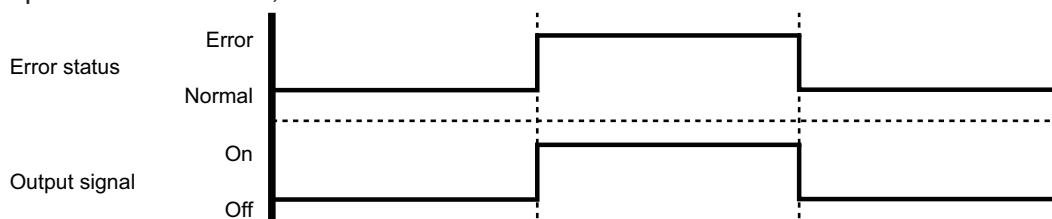
● Error status output

Air conditioner error status signal can be output.


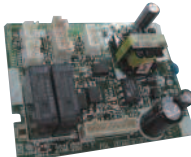
• Circuit diagram example:



- *: Make the distance from the PCB to the connected unit within 10 m.
- Relay spec: Max. DC 24 V, 10 mA to less than 500 mA.

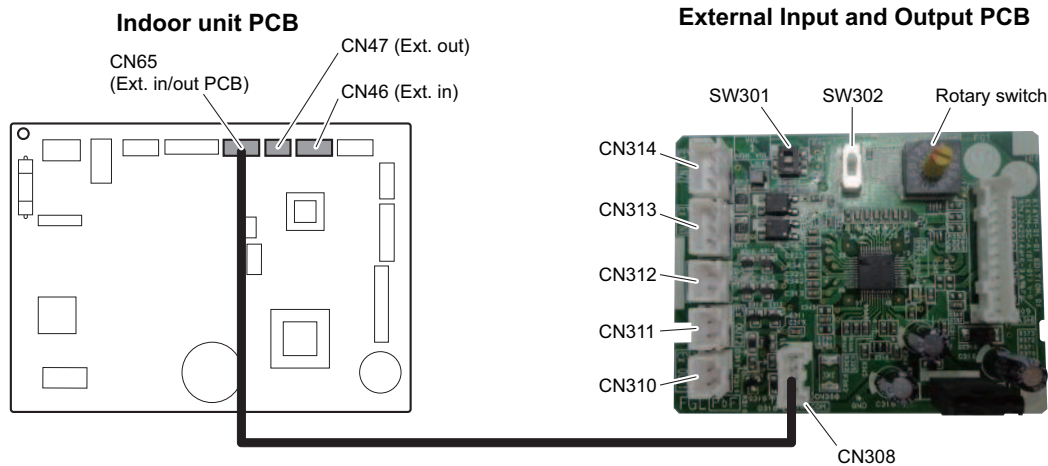


• Optional part:

| Part name | Model name | Exterior |
|----------------------|------------|---|
| External Connect Kit | UTY-XWZXZ5 | External output wire  |
| Communication Kit | UTY-TWBXF2 |  |

* For operating the external function, the wall mounted type requires the communication kit in addition to the wire (UTY-XWZXZ5).

12-5. Wall mounted type (KGTE, KGTF, KMTE, KMCE, KMCF, KETE, KETE-B, KETF, and KETF-B)



| PCB | External input | External output | Connector | Input select | Input signal |
|--|----------------------------------|------------------|---------------------------|-------------------------------|--------------|
| Indoor unit | Operation/Stop | — | CN46 | Dry contact | Edge |
| | Forced stop | | | | |
| | — | Operation status | CN47 | — | — |
| | Error status | | | | |
| External input and output (UTY-XCSXZ2) | Operation/Stop | — | CN313/ CN314 | Dry contact/ Apply voltage | Edge/Pulse |
| | Forced stop | | | | |
| | Forced thermostat off | | CN313 | | Edge |
| | — | Operation status | CN310/ CN311/ CN312 | — | — |
| | Error status | | | | |
| | Indoor unit fan operation status | | | | |

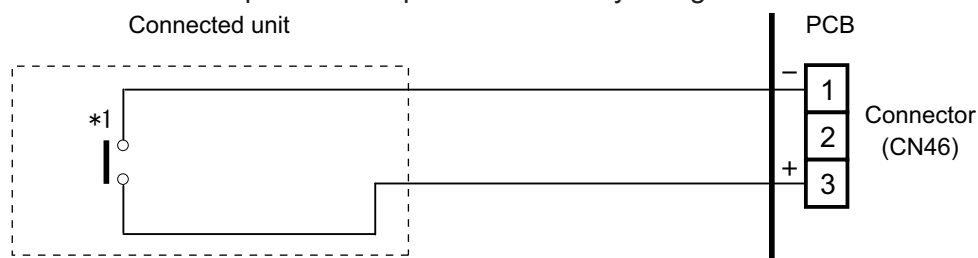
External input

With using external input function, some functions on this product can be controlled from an external device.

- "Operation/Stop" mode or "Forced stop" mode can be selected with function setting of indoor unit.
- A twisted pair cable should be used. Maximum length of cable is 150 m.
- The wire connection should be separate from the power cable line.

Indoor unit

Indoor unit functions such as Operation/Stop can be done by using indoor unit connectors.



*1: The switch can be used on the following condition: DC 12 V to 24 V, 1 mA to 15 mA.

● External Input and Output PCB

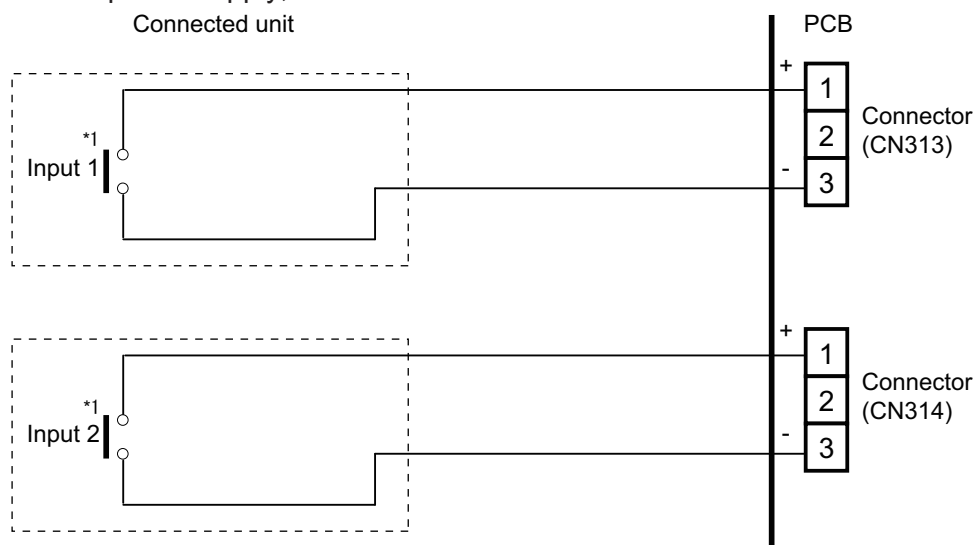
The indoor unit Operation/Stop can be set by using the input connector on the PCB.

• Input select:

Use either one of these types of connectors according to the application. (Both types of connectors cannot be used simultaneously.)

– Dry contact

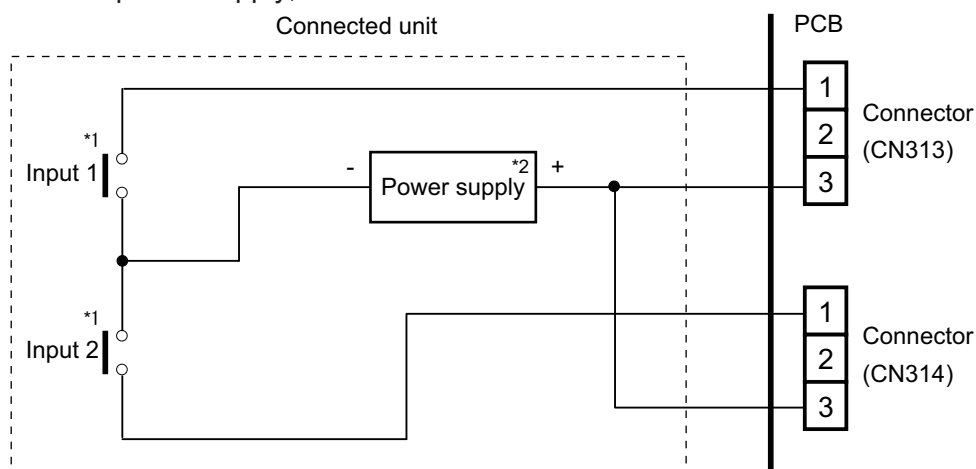
In case of internal power supply, set the slide switch of SW301 to "NON VOL" side.



*1: The switches can be used on the following condition: DC 12 V to 24 V, 1 mA to 15 mA.

– Apply voltage

In case of external power supply, set the slide switch of SW301 to "VOL" side.



*1: The switches can be used on the following condition: DC 12 V to 24 V, 1 mA to 15 mA.

*2: Make the power supply DC 12 to 24 V, 10 mA or more.

External output

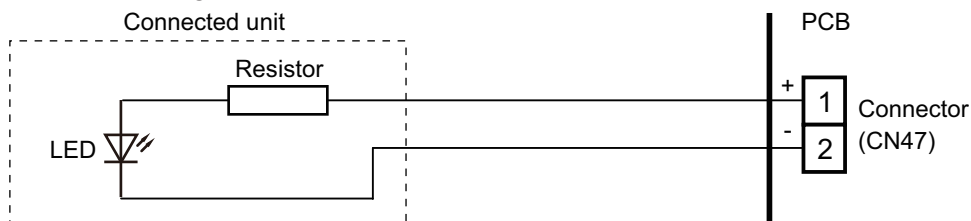
Use an external output cable with appropriate external dimension, depending on the number of cables to be installed.

Indoor unit

- A twisted pair cable should be used. Maximum length of cable is 25 m.
- Output voltage: High DC 12 V \pm 2 V, Low 0 V.
- Permissible current: 50 mA
- For details, refer to ["Combination of external input and output"](#) on page 224

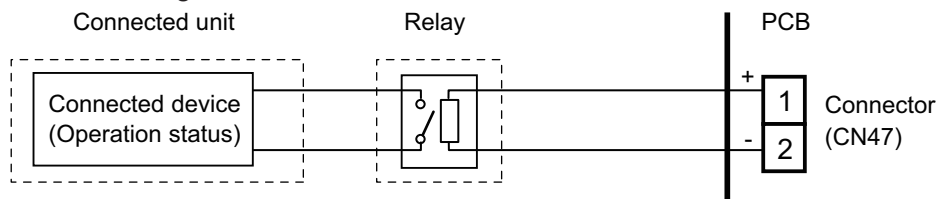
When indicator or other components are connected directly

Example: Function setting 60 is set to "00"



When connecting with a device equipped with a power supply

Example: Function setting 60 is set to "00"

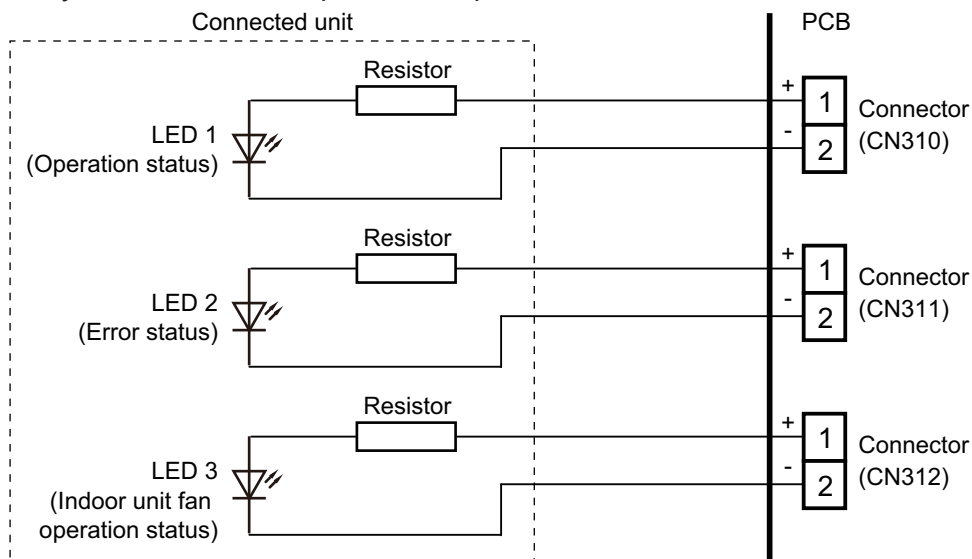


● External Input and Output PCB

- A twisted pair cable should be used. Maximum length of cable is 25 m.
- Output voltage: High DC 12 V \pm 2 V, Low 0 V.
- Permissible current: 50 mA
- For details, refer to "[Combination of external input and output](#)" on page 224

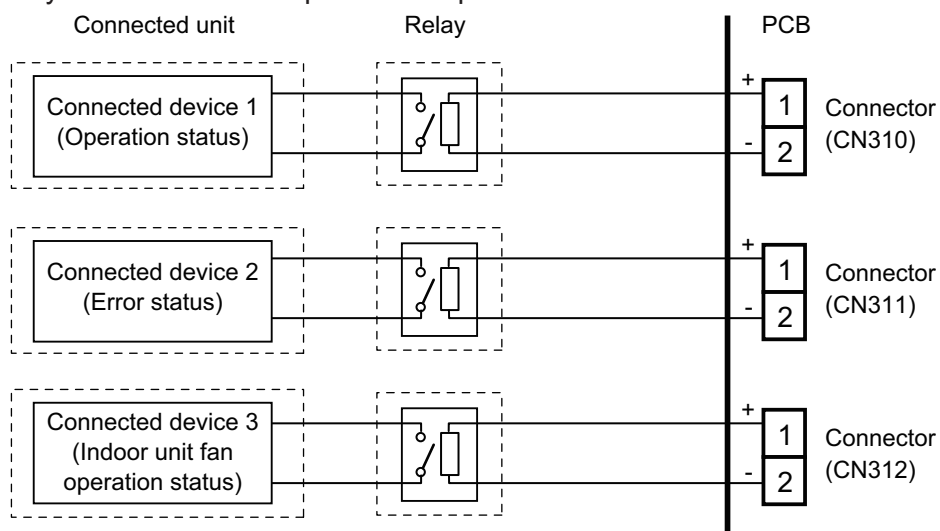
• When indicator or other components are connected directly:

Example: Rotary SW on External Input and Output PCB is set to "1".



• When connecting with a device equipped with a power supply:

Example: Rotary SW on External Input and Output PCB is set to "1".



■ Combination of external input and output

By combining the function setting of the indoor unit and rotary switch setting of the External Input and Output PCB, you can select various combinations of functions.

Combination examples of external input and output are as follows:

| Mode | Function setting | Rotary SW | External input | | |
|------|------------------|-----------|--|-------------------------------|---------------|
| | | | Indoor unit | External Input and Output PCB | |
| | | | CN46 | CN313 | CN314 |
| 0-1 | 60—00 | 1 | Operation/Stop mode1 (Function setting 46-00) | Operation/Stop | Not available |
| | | | or | Operation | Stop |
| 0-2 | 60-00 | 2 | Forced stop (Function setting 46-02) | Forced thermostat OFF | Not available |
| | | | or | | |
| | | | Operation/Stop mode2 (Function setting 46-03) | | |
| 1—8 | 60-01—08 | 3—9, A | (Setting prohibited) | | |
| 9 | 60-09 | B | Operation/Stop mode1 (Function setting 46-00) | Forced thermostat OFF | Not available |
| | | | or | | |
| | | | Forced stop (Function setting 46-02) | | |
| | | | or | | |
| 10 | 60-10 | C | Operation/Stop mode2 (Function setting 46-03) | | |
| 11 | 60-11 | D | (Setting prohibited) | | |

| Mode | Function setting | Rotary SW | External output | | | |
|------|------------------|-----------|-------------------------------------|-------------------------------|-------------------------------------|--|
| | | | Indoor unit | External Input and Output PCB | | |
| | | | CN47 | CN310 | CN311 | CN312 |
| 0-1 | 60-00 | 1 | Operation/Stop | Operation/Stop | Error status | Indoor unit fan operation status |
| 0-2 | 60-00 | 2 | Operation/Stop | Error status | Indoor unit fan operation status | Not available External heater output |
| 1—8 | 60-01—08 | 3—9, A | (Setting prohibited) | | | |
| 9 | 60-09 | B | Error status | Operation/Stop | Indoor unit fan operation status | Not available External heater output |
| 10 | 60-10 | C | Indoor unit fan operation status | | Error status | |
| 11 | 60-11 | D | (Setting prohibited) | | | |

NOTE: Input of Operation/Stop depends on the setting of function setting 46.

00: Operation/Stop mode 1 (Remote controller enabled)

01: (Setting prohibited)

02: Forced stop

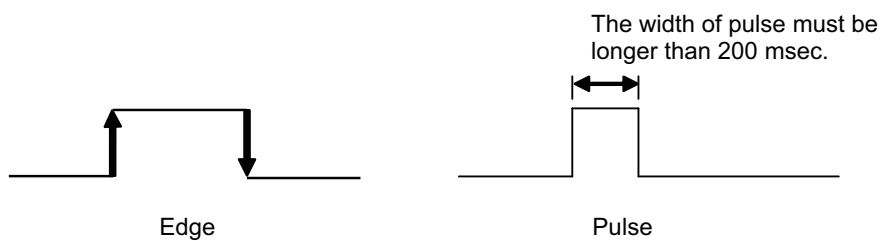
03: Operation/Stop mode 2 (Remote controller disabled)

● Input signal type

External Input and Output PCB:

The input signal type can be selected.

Signal type (edge or pulse) can be switched by the DIP switch SW302 on the External Input and Output PCB.



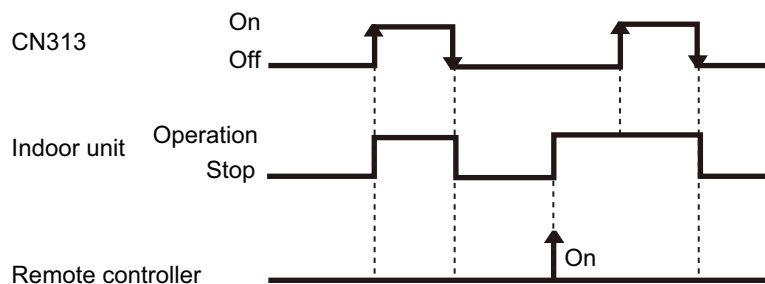
■ Details of function

● Control input function

- When function setting is “Operation/Stop” mode 1

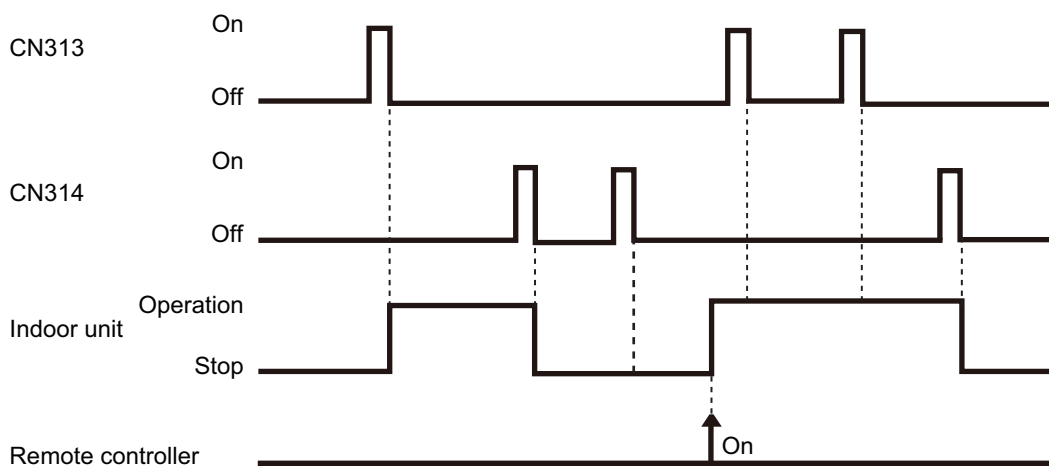
- In the case of “Edge” input:

| Function setting | Rotary SW on External Input and Output PCB | External input | | Input signal | Command |
|------------------|--|-------------------------------|-------|--------------|-----------|
| | | External Input and Output PCB | CN313 | | |
| 46-00 | 1 | | | Off → On | Operation |
| | | | | On → Off | Stop |



- In the case of “Pulse” input:

| Function setting | Rotary SW on External Input and Output PCB | External input | | Input signal | Command |
|------------------|--|-------------------------------|-------|--------------|-----------|
| | | External Input and Output PCB | CN313 | | |
| 46-00 | 1 | | CN313 | Pulse | Operation |
| | | | CN314 | Pulse | Stop |



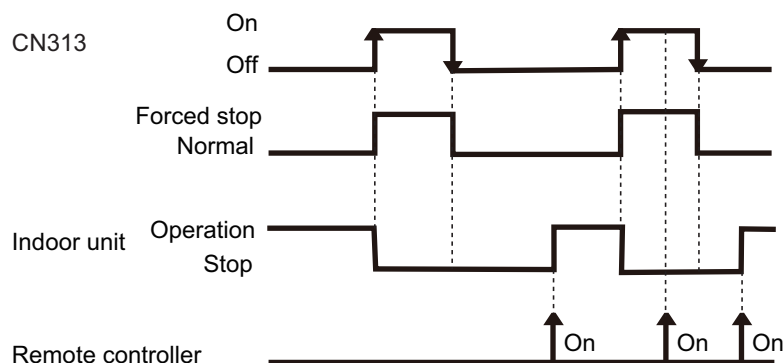
NOTES:

- The last command has priority.
- The indoor units within the same remote controller group operates in the same mode.

• When function setting is “Forced stop” mode

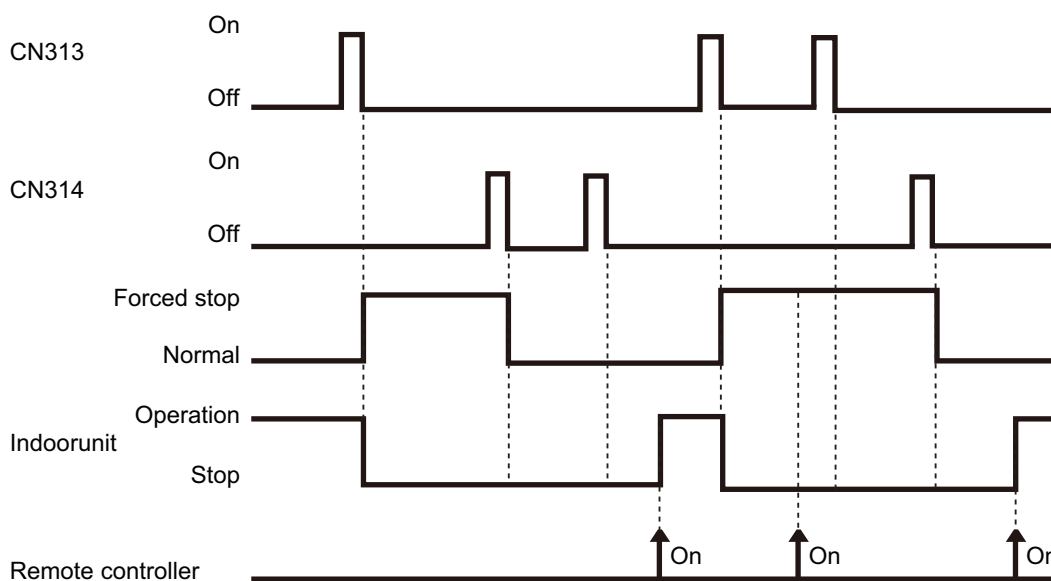
– In the case of “Edge” input:

| Function setting | Rotary SW on External Input and Output PCB | External input | | Input signal | Command |
|------------------|--|-------------------------------|-------|--------------|-------------|
| | | External Input and Output PCB | CN313 | | |
| 46-02 | 1 | | | Off → On | Forced stop |
| | | | | On → Off | Normal |



– In the case of “Pulse” input:

| Function setting | Rotary SW on External Input and Output PCB | External input | | Input signal | Command |
|------------------|--|-------------------------------|----------------|--------------|-------------|
| | | External Input and Output PCB | CN313 CN314 | | |
| 46-02 | 1 | | CN313 | Pulse | Forced stop |
| | | | CN314 | Pulse | Normal |



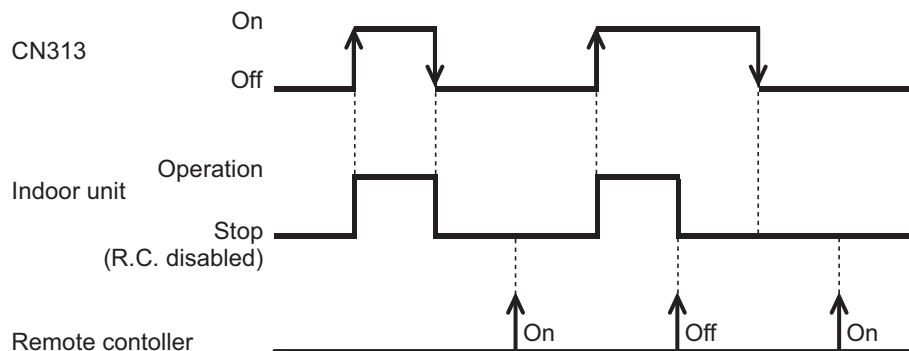
NOTES:

- When the forced stop is triggered, indoor unit stops and Operation/Stop operation by the remote controller is restricted.
- When forced stop function is used with forming a remote controller group, connect the same equipment to each indoor unit within the group.

• When function setting is “Operation/Stop” mode 2

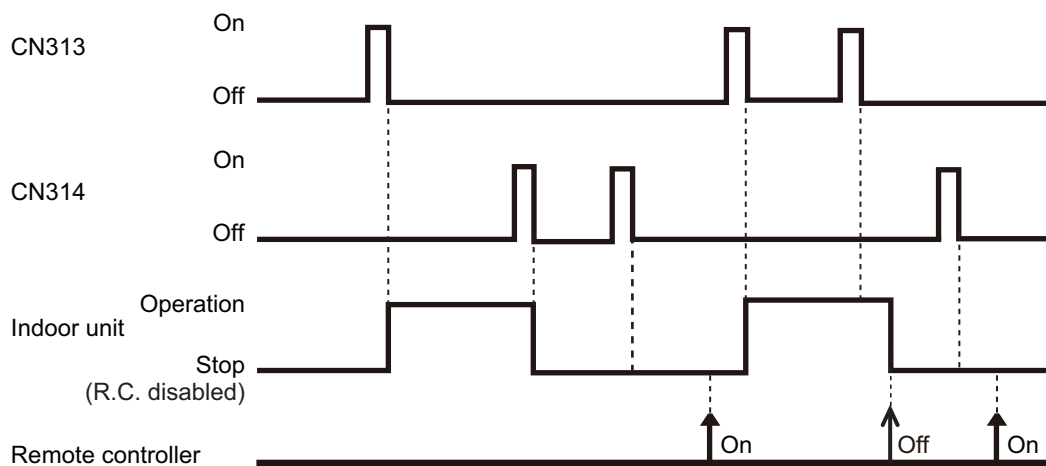
– In the case of “Edge” input:

| Function setting | Rotary SW on External Input and Output PCB | External input | | Input signal | Command |
|------------------|--|-------------------------------|-------|--------------|-----------------------------------|
| 46-03 | 1 | External Input and Output PCB | CN313 | Off → On | Operation |
| | | | | On → Off | Stop (Remote controller disabled) |



– In the case of “Pulse” input:

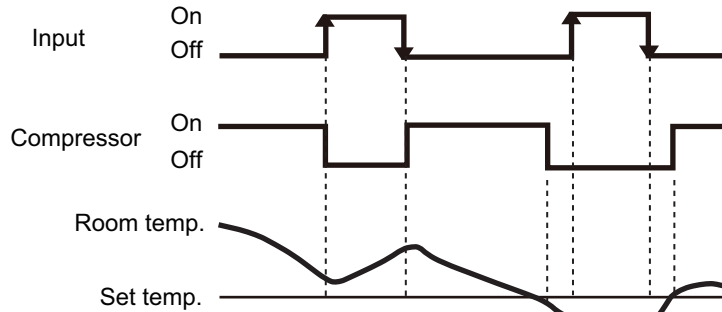
| Function setting | Rotary SW on External Input and Output PCB | External input | | Input signal | Command |
|------------------|--|-------------------------------|-------|--------------|-----------------------------------|
| 46-03 | 1 | External Input and Output PCB | CN313 | Pulse | Operation |
| | | | CN314 | Pulse | Stop (Remote controller disabled) |



NOTE: When “Operation/Stop” mode 2 function is used with forming a remote controller group, connect the same equipment to each indoor unit within the group.

• Forced thermostat off function

| Function setting / Rotary SW on External Input and Output PCB | External input | | Input signal | Command |
|---|-------------------------------|-------|------------------|----------------|
| 60-00 / 2 60-09 / B 60-10 / C | External Input and Output PCB | CN313 | Off → On | Thermostat off |
| On → Off | | | Normal operation | |

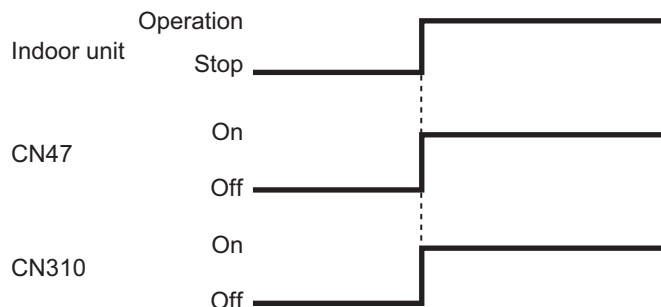


● Control output function

• Operation/Stop status

| Function setting / Rotary SW on External Input and Output PCB | External output | Output signal | Command |
|---|--|---------------|-----------|
| 60-00 / 1 60-00 / 2 | Output of indoor unit CN47 | Off → On | Operation |
| | | On → Off | Stop |
| 60-00 / 1 60-09 / B 60-10 / C 60-11 / D | External Input and Output PCB CN310 | Off → On | Operation |
| | | On → Off | Stop |

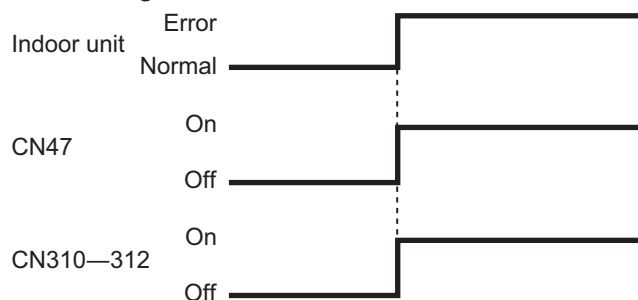
The output is low when the unit is stopped.



• Error status

| Function setting / Rotary SW on External Input and Output PCB | External output | Output signal | Command |
|---|-------------------------------|---------------|---------|
| 60-09 / B | Output of indoor unit CN47 | Off → On | Error |
| | | On → Off | Normal |
| 60-00 / 2 | External Input and Output PCB | Off → On | Error |
| | | On → Off | Normal |
| 60-00 / 1 60-10 / C | External Input and Output PCB | Off → On | Error |
| | | On → Off | Normal |
| 60-11 / D | External Input and Output PCB | Off → On | Error |
| | | On → Off | Normal |

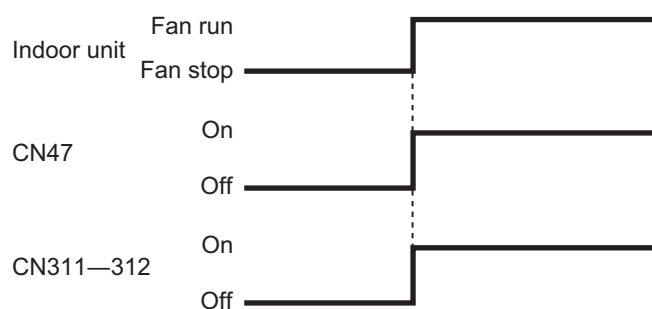
The output is ON when an error is generated for the indoor unit.



- Indoor unit fan operation status

| Function setting / Rotary SW on External Input and Output PCB | External output | | Output signal | Command |
|---|-------------------------------|-------|---------------|----------|
| 60-10 / C | Output of indoor unit | CN47 | Off → On | Fan run |
| | | | On → Off | Fan stop |
| 60-00 / 2 60-09 / B 60-11 / D | External Input and Output PCB | CN311 | Off → On | Fan run |
| | | | On → Off | Fan stop |
| 60-00 / 1 | | CN312 | Off → On | Fan run |
| | | | On → Off | Fan stop |

| Output signal | Condition |
|-------------------|--|
| On Low → High | The indoor unit fan is operating. |
| Off High → Low | The fan is stopped or during cold air prevention. During thermostat off when in dry mode operation. |



- External heater output

| Function setting / Rotary SW on External Input and Output PCB | External output | | Output signal | Command |
|---|-------------------------------|-------|---------------|------------|
| 60-11 / D | Output of indoor unit | CN47 | Off → On | Heater on |
| | | | On → Off | Heater off |
| 60-00 / 2 60-01 / 3 60-02 / 4 60-03 / 5 60-05 / 7 60-07 / 9 60-08 / A 60-09 / B 60-10 / C | External Input and Output PCB | CN312 | Off → On | Heater on |
| | | | On → Off | Heater off |

● External heater output

| Control | Primary heater | Auxiliary heater | Function setting | |
|--|-----------------|-------------------|---|---------------------|
| | | | Indoor unit | Wired R. C. |
| | | | Control switching external heaters No. 61 | Sensor activation*2 |
| Auxiliary heater control 1 | Heat pump | External device*1 | 61-00 | — |
| Auxiliary heater control 2 | Heat pump | External device | 61-01 | — |
| Heat pump prohibition control | External device | None | 61-02 | On (Enabled) |
| Auxiliary heater control by outdoor temperature 1 | Heat pump | External device | 61-03 | On (Enabled) |
| Auxiliary heater control by outdoor temperature 2 | Heat Pump | External device | 61-04 | On (Enabled) |
| Auxiliary heater control by outdoor temperature 3 | Heat Pump | External device | 61-05 | On (Enabled) |
| Auxiliary heat pump control | External device | Heat pump | 61-06 | On (Enabled) |
| Auxiliary heat pump control by outdoor temperature 1 | External device | Heat pump | 61-07 | On (Enabled) |
| Auxiliary heat pump control by outdoor temperature 2 | External device | Heat pump | 61-08 | On (Enabled) |
| Auxiliary heat pump control by outdoor temperature 3 | External device | Heat pump | 61-09 | On (Enabled) |

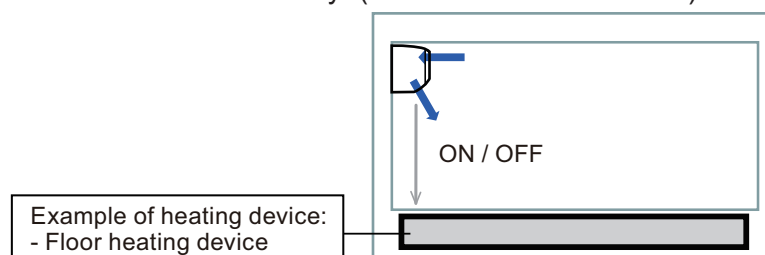
NOTES:

- After turning off the heater, 3 minutes of standby time is required by next power-on of the heater.
- For items marked “—” in the table, any of validate or invalidate of the setting are acceptable.
- *1: External device means Hot water, Electrical heater, etc.
- *2: Sensor activation:
 - Setting change from the factory setting is required.
 - Indoor unit fan setting will be on for safety reason without sensor activation of wired remote controller.

22 Installation configuration of individual connection

6)

External heating device is installed individually. (No use of indoor unit fan)



⚠ WARNING

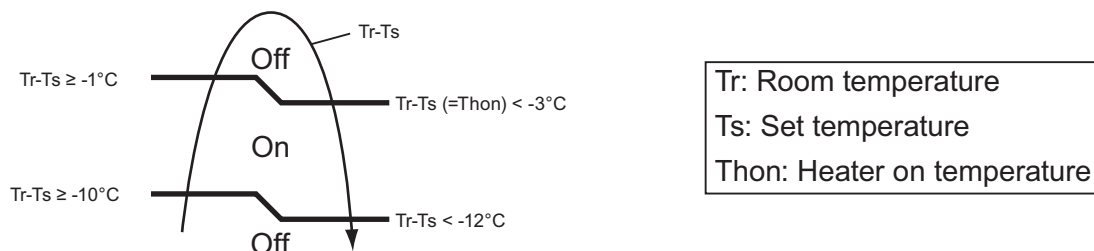
- Design and install external heater appropriately with considering its protection.
- Inappropriate designing and installation of external heater may cause a fire by emitted heat from the external heater.
- Fujitsu General Ltd. is not responsible for inappropriate designing or installation of external heating device.

22 Auxiliary heater control 1

7)

| Operation | Condition |
|------------|--|
| Heater on | Heater is on as shown in following diagram of heating temperature. |
| Heater off | <ul style="list-style-type: none"> • Heater is off as shown in following diagram of heating temperature. • Other than heating mode • Error occurred • Forced thermostat off • Fan stop protection |

- Temperature of heater on (Thon): Adjustable by function number 62 (Operating temperature switching of external heaters).
- All control temperatures will shift by adjusting "Thon".



Example: When set temperature (Ts) is 22°C (Factory setting),

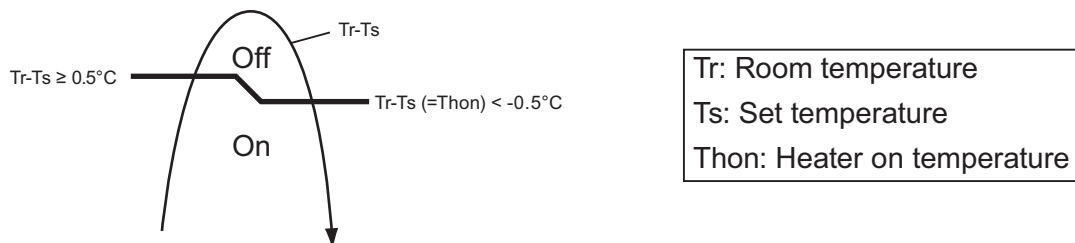
- and room temperature (Tr) increases above 12°C, signal output is on.
- and room temperature (Tr) increases above 21°C, signal output is off.
- and room temperature (Tr) decreases below 19°C, signal output is on.
- and room temperature (Tr) decreases below 10°C, signal output is off.

22 Auxiliary heater control 2

8)

| Operation | Condition |
|------------|--|
| Heater on | Heater is on as shown in following diagram of heating temperature. |
| Heater off | <ul style="list-style-type: none"> • Heater is off as shown in following diagram of heating temperature. • Other than heating mode • Error occurred • Forced thermostat off • Fan stop protection |

- Temperature of heater on (Thon): Adjustable by function number 62 (Operating temperature switching of external heaters).
- All control temperatures will shift by adjusting "Thon".



22 Heat pump prohibition control

9)

Perform heating by external heater only. Indoor unit is continuous thermostat off.

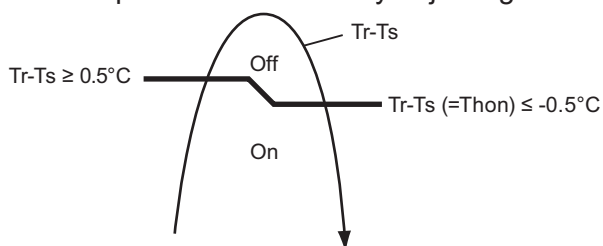
- Compact cassette type

| Operation | | Condition |
|------------|--|---|
| Heater on | | Heater is on as shown in following diagram of heating temperature. |
| Heater off | | <ul style="list-style-type: none"> • Heater is off as shown in following diagram of heating temperature. • Other than heating mode • Error occurred • Forced thermostat off |

- Slim duct type

| Operation | | | Condition |
|------------|---|----------|--|
| Heater on | | | Heater is on as shown in following diagram of heating temperature. |
| Heater off | DIP-SW101-3 | On | <ul style="list-style-type: none"> • Heater is off as shown in following diagram of heating temperature. • Other than heating mode • Error occurred • Forced thermostat off • Fan stop protection |
| | Indoor unit fan setting for external heater | Enabled | |
| | DIP-SW101-3 | Off | <ul style="list-style-type: none"> • Heater is off as shown in following diagram of heating temperature. • Other than heating mode • Error occurred • Forced thermostat off |
| | Indoor unit fan setting for external heater | Disabled | |

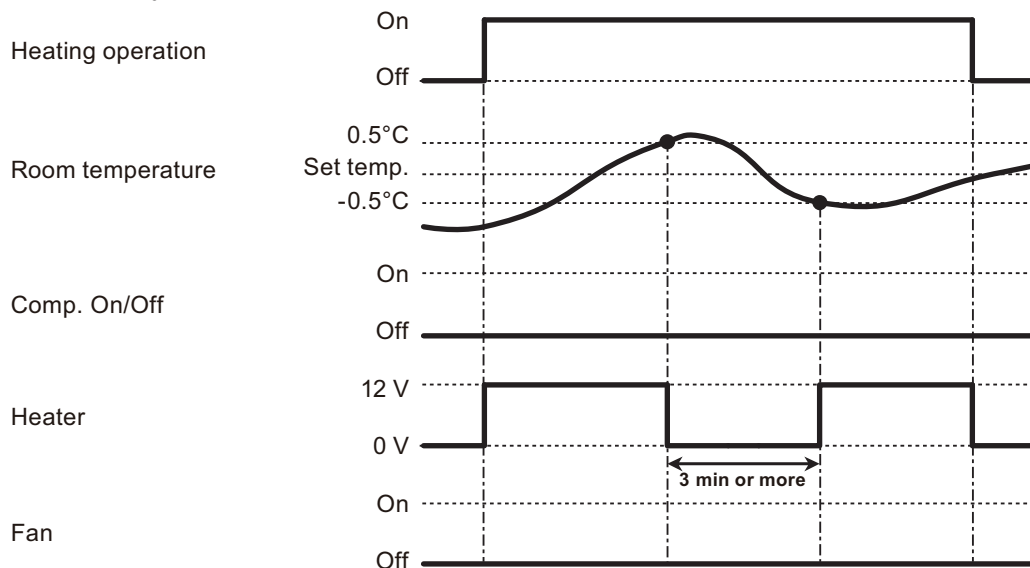
- Temperature of heater on (Thon): Adjustable by function number 62 (Operating temperature switching of external heaters).
- All control temperatures will shift by adjusting “Thon”.



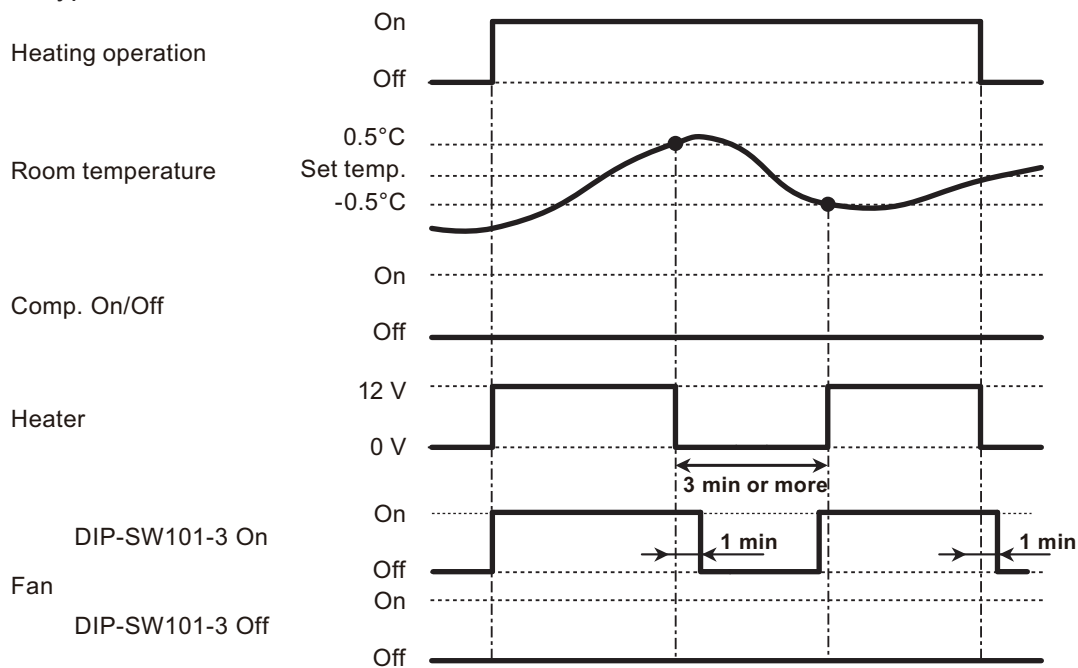
Tr: Room temperature
Ts: Set temperature
Thon: Heater on temperature

• Operation status

– Compact cassette type



– Slim duct type



NOTE: In following operations, compressor will be on.

- Other than heating
- Test run

23 Auxiliary heater control by outdoor temperature 1

0)

This control selects heat pump or external heater according to the outdoor temperature. When outdoor temperature is high, the heating is performed by using heat pump only.

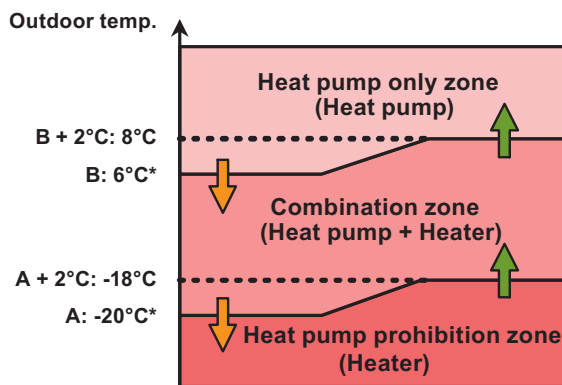
| Operation | Condition |
|------------|--|
| Heater on | Heater is on as shown in following diagram of heating temperature. |
| Heater off | <ul style="list-style-type: none"> Heater is off as shown in following diagram of heating temperature. Other than heating mode Error occurred Forced thermostat off Heat pump only zone |

- Temperature of heater on (Thon): Adjustable by function number 62 (Operating temperature switching of external heaters).
- All control temperatures will shift by adjusting “Thon”.
- Outdoor temperature zone boundary A and B: Adjustable individually by function setting number 66 and 67.

• External heater output

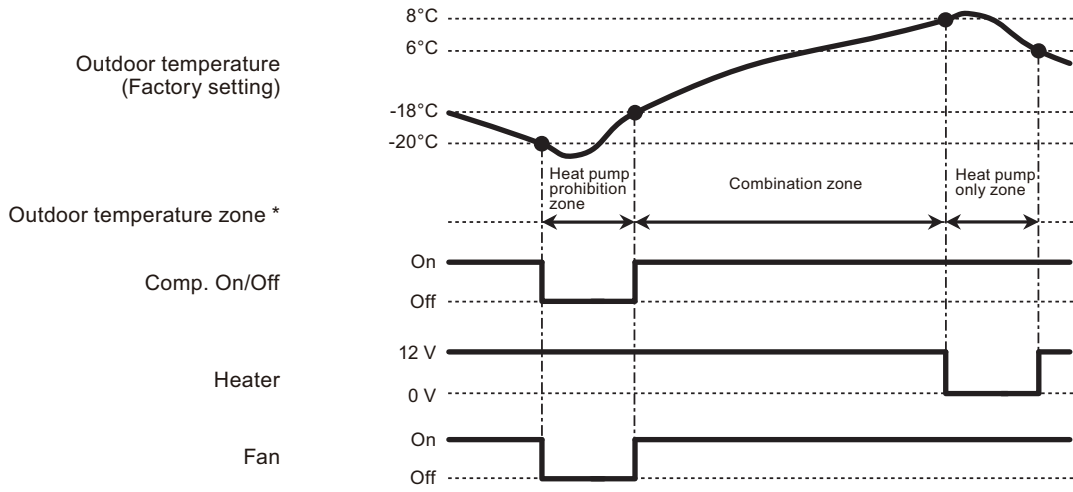


• Outdoor temperature zone



*: Adjustable by function setting 66 and 67

• Operation status



* The outdoor temperature zone transition from one to another will stay in that zone for minimum of 30 min.

NOTE: In following operations, compressor will be on in heat pump prohibition zone.

- Other than heating
- Test run

23 Auxiliary heater control by outdoor temperature 2

1)

This control selects heat pump or external heater according to the outdoor temperature. Even when outdoor temperature is high, the heating is performed by using both of heat pump and external heater.

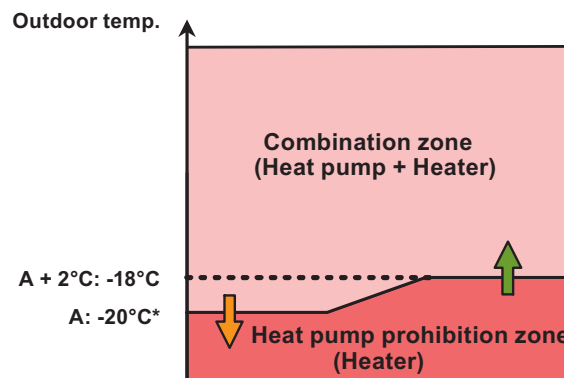
| Operation | Condition |
|------------|---|
| Heater on | Heater is on as shown in following diagram of heating temperature. |
| Heater off | <ul style="list-style-type: none"> • Heater is off as shown in following diagram of heating temperature. • Other than heating mode • Error occurred • Forced thermostat off |

- Temperature of heater on (Thon): Adjustable by function number 62 (Operating temperature switching of external heaters).
- All control temperatures will shift by adjusting "Thon".
- Outdoor temperature zone boundary A: Adjustable by function setting number 66.

• External heater output

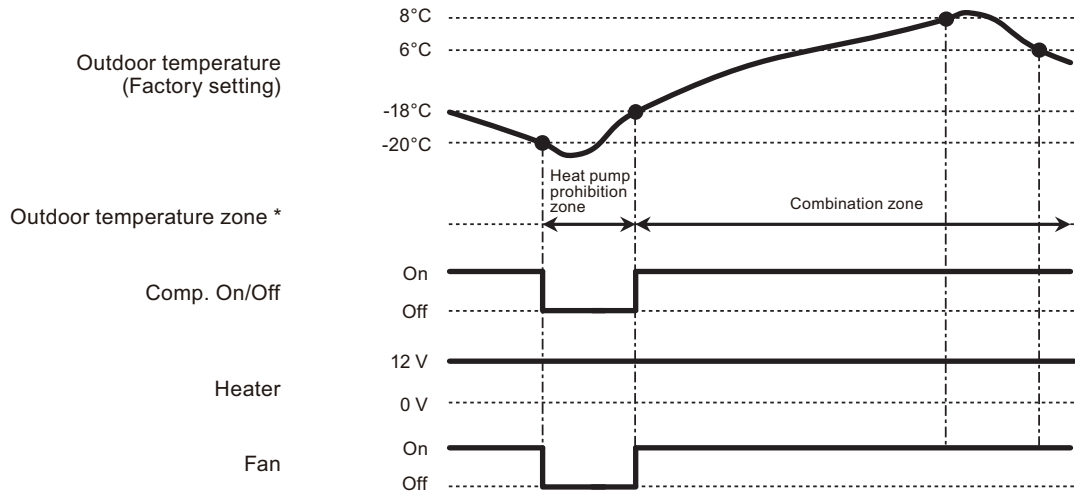


• Outdoor temperature zone



*: Adjustable by function setting 66

• Operation status

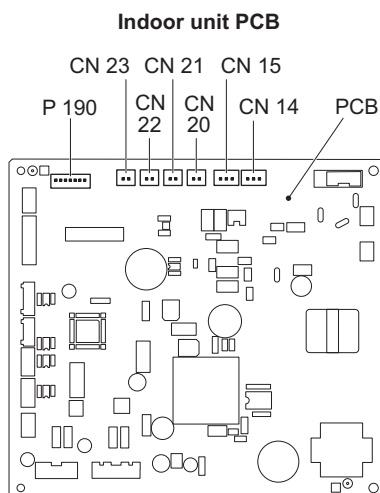


* The outdoor temperature zone transition from one to another will stay in that zone for minimum of 30 min.

NOTE: In following operations, compressor will be on in heat pump prohibition zone.

- Other than heating
- Test run

12-6. Floor type



| PCB | External input | External output | Connector | Input signal |
|------------------------|-----------------------|----------------------------------|-------------------------|--------------|
| Indoor unit | Operation/Stop | — | CN14 | Edge |
| | Forced stop | | CN15 | |
| | Forced thermostat off | | | |
| | — | Operation status | CN20/CN21/ CN22/CN23 | — |
| | | Error status | | |
| | | Indoor unit fan operation status | | |
| External heater output | | | | |

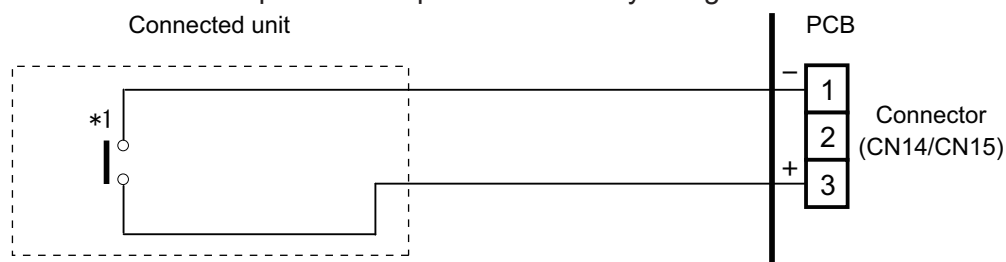
External input

With using external input function, some functions on this product can be controlled from an external device.

- “Operation/Stop” mode can be selected with function setting of indoor unit.
- A twisted pair cable (22AWG) should be used. Maximum length of cable is 150 m.
- The wire connection should be separate from the power cable line.

Indoor unit

Indoor unit functions such as Operation/Stop can be done by using indoor unit connectors.



*1: The switch can be used on the following condition: DC 12 V to 24 V, 1 mA to 15 mA.

External output

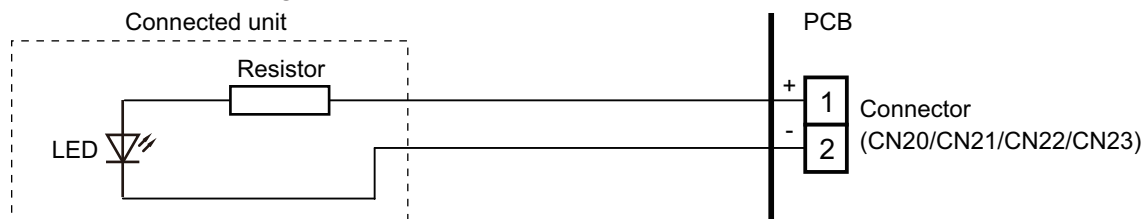
Use an external output cable with appropriate external dimension, depending on the number of cables to be installed.

Indoor unit

- A twisted pair cable (22AWG) should be used. Maximum length of cable is 25 m .
- Output voltage: High DC 12 V \pm 2 V, Low 0 V.
- Permissible current: 50 mA
- For details, refer to Chapter 12-6-3. "[Combination of external input and output](#)" on page 243.

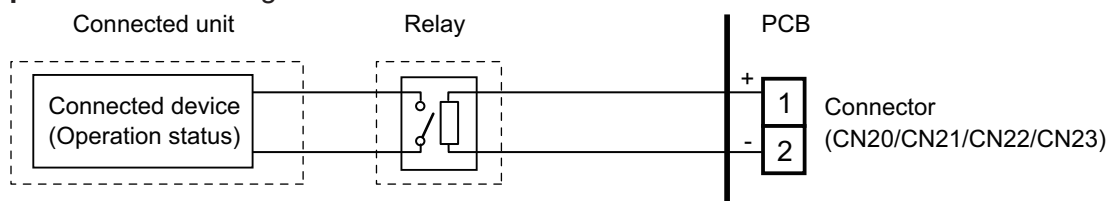
When indicator or other components are connected directly

Example: Function setting 60 is set to "00"



When connecting with a device equipped with a power supply

Example: Function setting 60 is set to "00"



■ Combination of external input and output

By combining the function setting of the indoor unit, you can select various combinations of functions.

Combination examples of external input and output are as follows:

| Mode | Function setting | External input | |
|------|------------------|---|-----------------------|
| | | Indoor unit | |
| | | CN14 | CN15 |
| 0 | 60-00 | Operation/Stop (Function setting 46-00) or Forced stop (Function setting 46-02) | Forced thermostat Off |
| 9 | 60-09 | | Forced thermostat Off |
| 10 | 60-10 | | Forced thermostat Off |
| 11 | 60-11 | | Forced thermostat Off |
| 12 | 60-12 | | Forced thermostat Off |

| Mode | Function setting | External output | | | |
|------|------------------|----------------------------------|----------------|----------------------------------|------------------------|
| | | Indoor unit | | | |
| | | CN20 | CN21 | CN22 | CN23 |
| 0 | 60-00 | Operation/Stop | Error status | Indoor unit fan operation status | External heater output |
| 9 | 60-09 | Error status | Operation/Stop | Indoor unit fan operation status | External heater output |
| 10 | 60-10 | Indoor unit fan operation status | Operation/Stop | Error status | External heater output |
| 11 | 60-11 | External heater output | Operation/Stop | Indoor unit fan operation status | Error status |

NOTE: Input of Operation/Stop depends on the setting of function setting 46.

00: Operation/Stop mode 1 (Remote controller enabled)

01: (Setting prohibited)

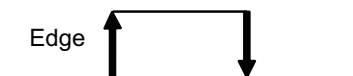
02: Forced stop

03: Operation/Stop mode 2 (Remote controller disabled)

● Input signal type

• Indoor unit

Input signal type is only "Edge".

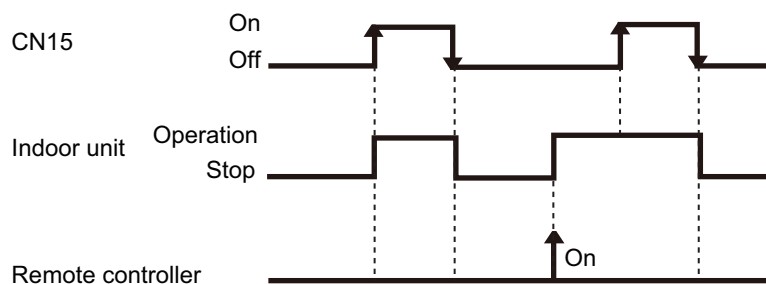


■ Details of function

● Control input function

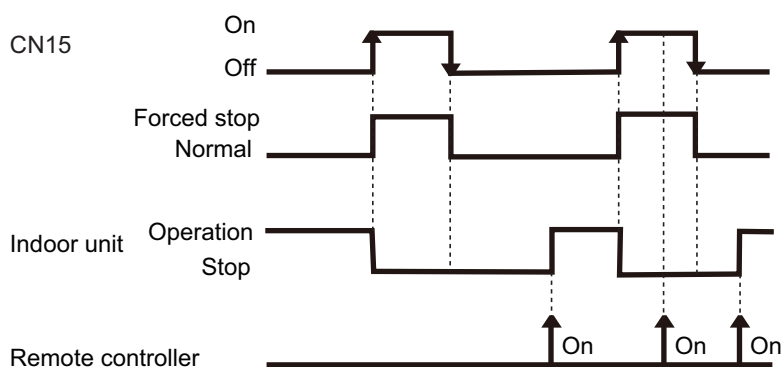
- When function setting is "Operation/Stop" mode 1
 - In the case of "Edge" input

| Mode | Function setting | | External input | Input signal | Command | |
|------|------------------|------|----------------------|--------------|-----------|-----------|
| 0 | 46-00 | — | Input of indoor unit | CN14 | Off → On | Operation |
| | | | | | On → Off | Stop |
| | 60-00 | CN15 | | Off → On | Operation | |
| | | | | On → Off | Stop | |



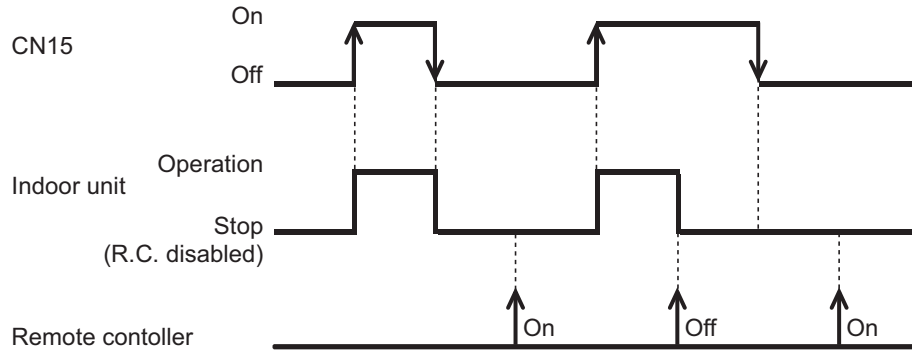
- When function setting is "Forced stop" mode
 - In the case of "Edge" input

| Mode | Function setting | | External input | Input signal | Command | |
|------|------------------|------|----------------------|--------------|-------------|-------------|
| 0 | 46-02 | — | Input of indoor unit | CN14 | Off → On | Forced stop |
| | | | | | On → Off | Normal |
| | 60-00 | CN15 | | Off → On | Forced stop | |
| | | | | On → Off | Normal | |



- When function setting is "Operation/Stop" mode 2
 - In the case of "Edge" input

| Mode | Function setting | | External input | Input signal | Command | |
|------|------------------|------|----------------------|--------------|--------------------------------------|--------------------------------------|
| 0 | 46-03 | — | Input of indoor unit | CN14 | Off → On | Operation |
| | | | | CN14 | On → Off | Stop (Remote controller disabled) |
| | 60-00 | CN15 | | Off → On | Operation | |
| | | CN15 | | On → Off | Stop (Remote controller disabled) | |

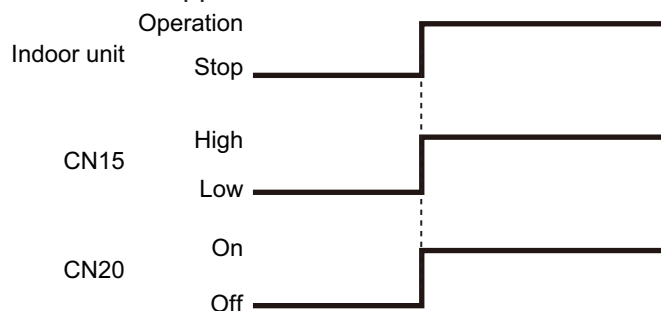


● Control output function

• Operation/Stop status

| Mode | Function setting | External output | | Output signal | Command |
|------|------------------|-----------------------|------|---------------|-----------|
| 0 | 60-00 | Output of indoor unit | CN15 | Low → High | Operation |
| | | | | High → Low | Stop |
| 0 | 60-00 | | CN20 | Off → On | Operation |
| | | | | On → Off | Stop |

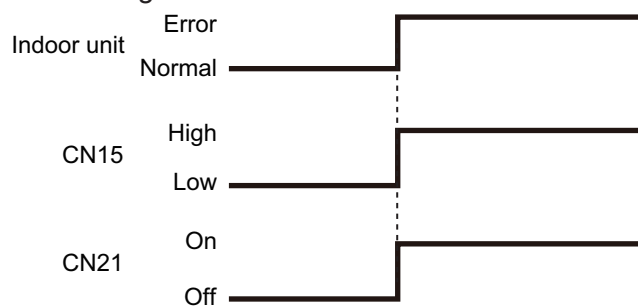
The output is low when the unit is stopped.



• Error status

| Mode | Function setting | External output | | Output signal | Command |
|------|------------------|-----------------------|------|---------------|---------|
| 9 | 60-09 | Output of indoor unit | CN15 | Low → High | Error |
| | | | | High → Low | Normal |
| 0 | 60-00 | | CN21 | Off → On | Error |
| | | | | On → Off | Normal |

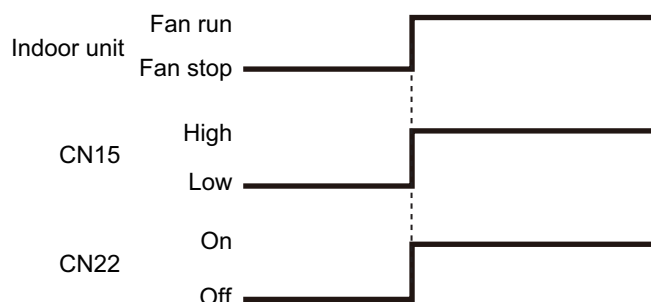
The output is ON when an error is generated for the indoor unit.



- Indoor unit fan operation status

| Mode | Function setting | External output | | Output signal | Command |
|------|------------------|-----------------------|------|---------------|----------|
| 10 | 60-10 | Output of indoor unit | CN15 | Low → High | Fan run |
| | | | | High → Low | Fan stop |
| 0 | 60-00 | Output of indoor unit | CN22 | Off → On | Fan run |
| | | | | On → Off | Fan stop |

| Output signal | Condition |
|-------------------|--|
| On Low → High | The indoor unit fan is operating. |
| Off High → Low | The fan is stopped or during cold air prevention. During thermostat off when in dry mode operation. |



- Setpoint Attainment status

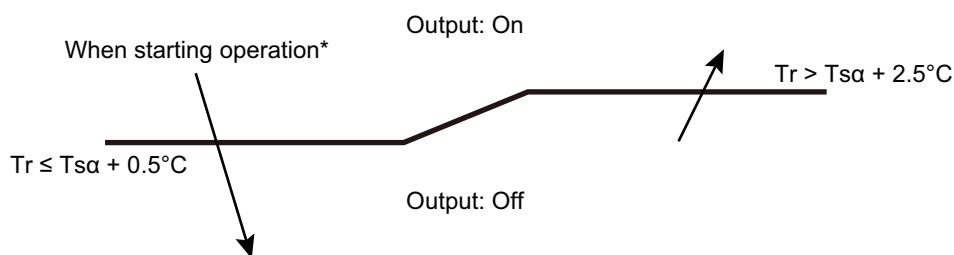
NOTE: This function is valid only when function setting 96 is set to "01" (Primary unit) or "02" (Secondary unit).

When the room temperature does not reach the setpoint at a room due to the lower cooling performance caused by external factor such as the outdoor temperature change, signal is output to tell the attainment status of setpoint.

| Mode | Function setting | External output | | Output signal | Command |
|------|------------------|-----------------------|------|---------------|---------------------|
| 12 | 60-12 | Output of indoor unit | CN15 | On → Off | Normal |
| | | | | Off → On | Setpoint Attainment |

| Output signal | Condition |
|---------------|--|
| Off | Reached the setpoint. ($T_r \leq T_{sa} + 0.5^\circ\text{C}$) |
| On | Unreached the setpoint. ($T_r > T_{sa} + 2.5^\circ\text{C}$) However, even if the setpoint unreached, the signal will not be output for 7 minutes after power is turned on. |

When performing the server room control, both of the primary unit and secondary unit output the setpoint attainment status if any of the unit is outputting alternative operation command.

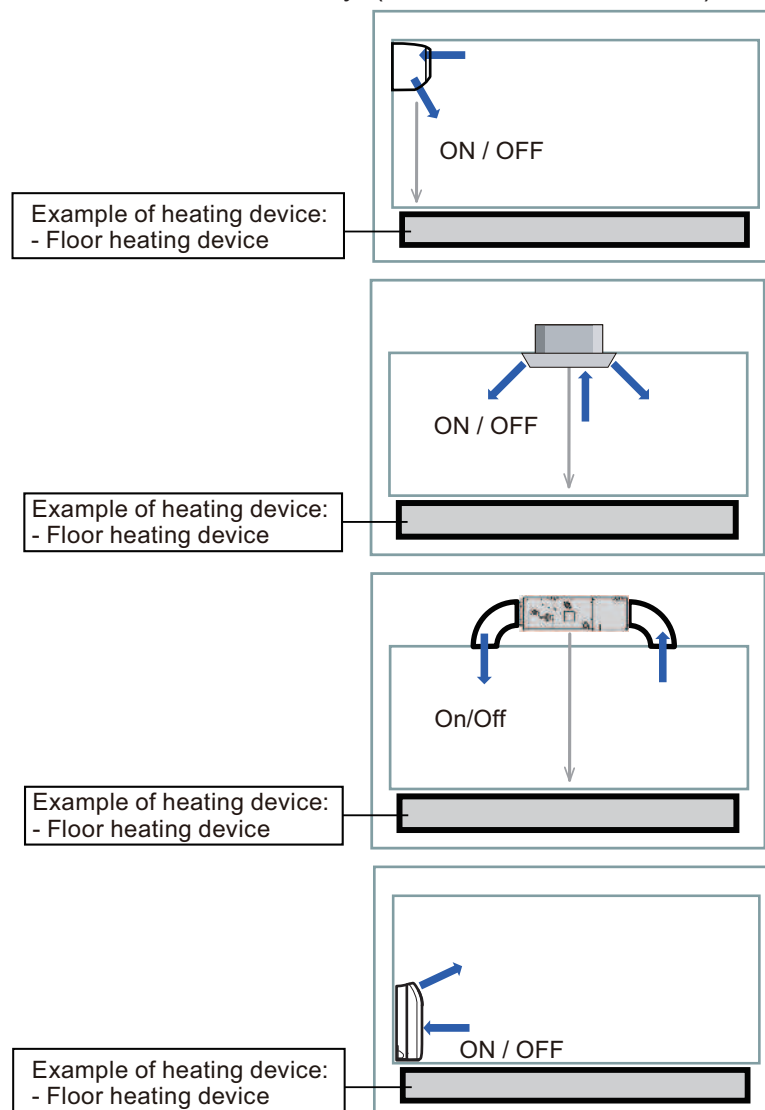


*: When starting operation or resetting, judges the zone to descending direction.

● External heater output

• Installation configuration of individual connection

External heating device is installed individually. (No use of indoor unit fan)



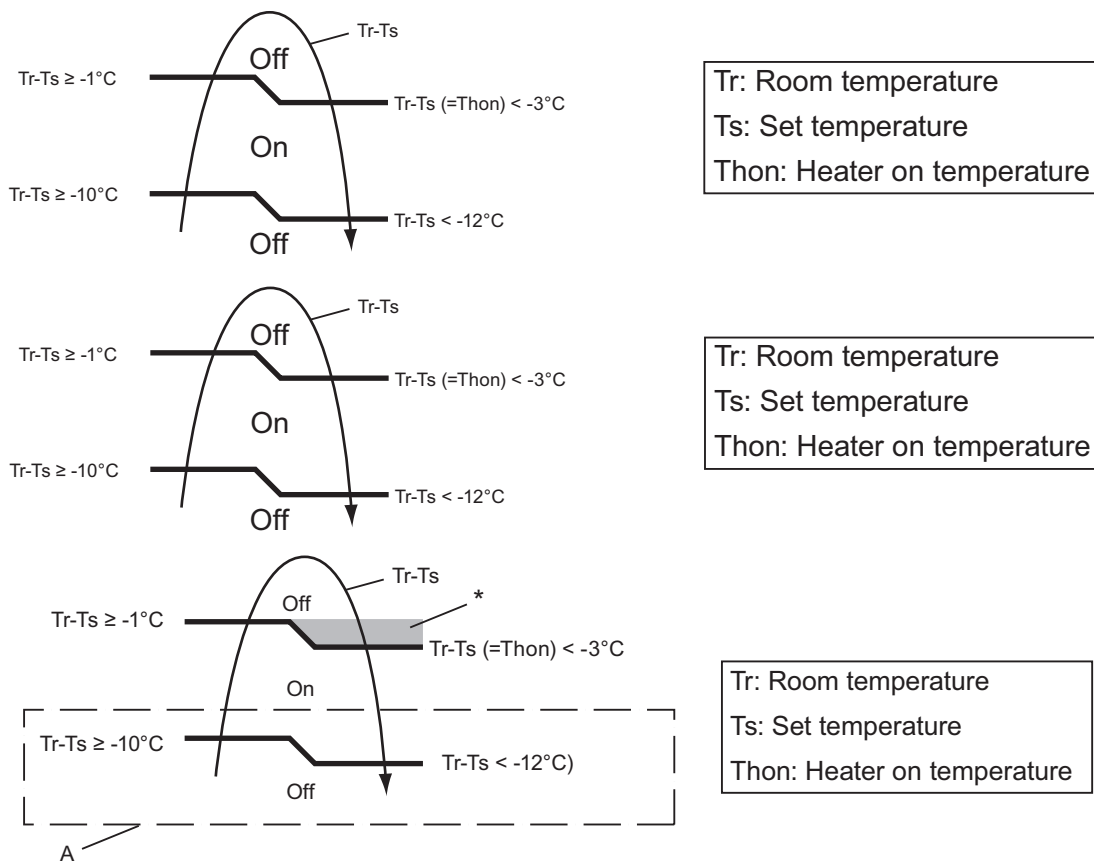
⚠ WARNING

- Design and install external heater appropriately with considering its protection.
- Inappropriate designing and installation of external heater may cause a fire by emitted heat from the external heater.
- Fujitsu General Ltd. is not responsible for inappropriate designing or installation of external heating device.

• Auxiliary heater control 1

| Operation | Condition |
|------------|--|
| Heater on | Heater is on as shown in following diagram of heating temperature. |
| Heater off | <ul style="list-style-type: none"> • Heater is off as shown in following diagram of heating temperature. • Other than heating mode • Error occurred • Forced thermostat off • Fan stop protection |

- Temperature of heater on (Thon): Adjustable by function number 62 (Operating temperature switching of external heaters).
- All control temperatures will shift by adjusting "Thon".



*: When room temperature stays in this zone for a specific time, auxiliary heater is turned on. For details, refer to function number 71.

Example: When set temperature (Ts) is 22°C (Factory setting),

- and room temperature (Tr) increases above 12°C, signal output is on.
- and room temperature (Tr) increases above 21°C, signal output is off.
- and room temperature (Tr) decreases below 19°C, signal output is on.
- and room temperature (Tr) decreases below 10°C, signal output is off.

13. Group connection

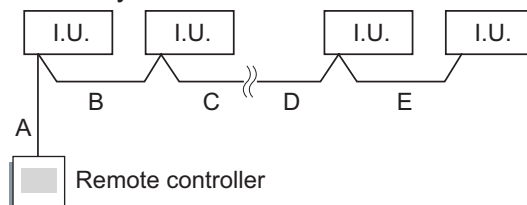
NOTE: Group control cannot be used together with WLAN Adapter.

Installation procedure for group control system:

A number of indoor units can be operated at the same time using a single remote controller.

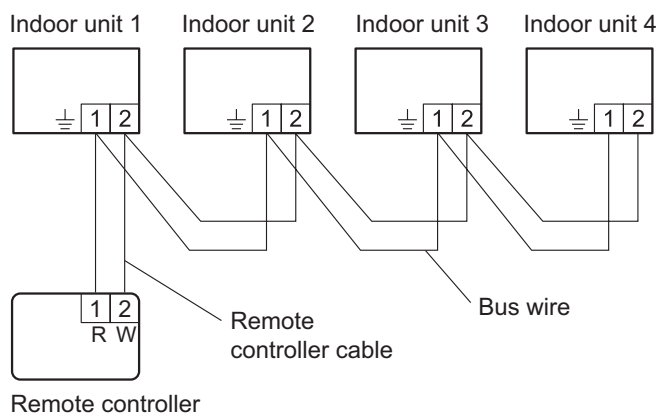
NOTE: When different type of indoor units (such as wall mounted type and cassette type, cassette type and duct type, or other combinations) are connected using group control system, some functions may no longer be available.

1. Connect up to 16 indoor units in a system.

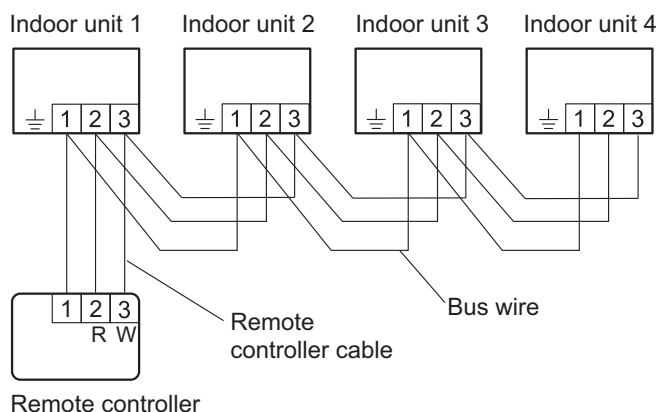


| | |
|--|--|
| A, B, C, D, E: Remote controller cable | |
| Wiring length limitation | $A + B + C + D + E \leq 500 \text{ m}$ |

Example of wiring method



Example of wiring method



2. Set the remote controller address. (Function setting)

- Addresses will be automatically set when initially starting up this unit. In such a case, do not change the remote controller address for the indoor unit, and keep it at the initial setting of "00".
- Only set addresses manually when using different numbers for addresses.
Set the remote controller address of each indoor unit using the function setting. (Refer to "Remote controller address setting" in "Contents of function setting" on page 335.)

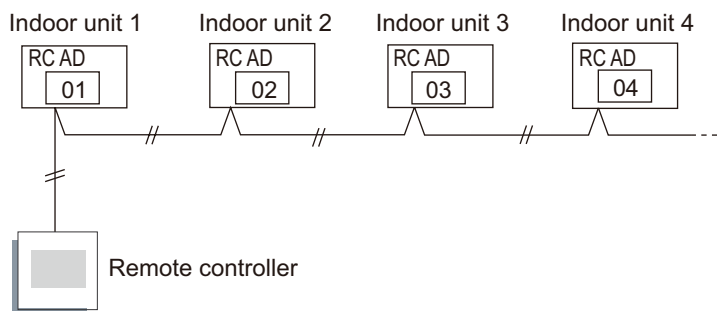
NOTES:

- Do not use the same setting value.
- Setting is reflected after the power is turned on again.

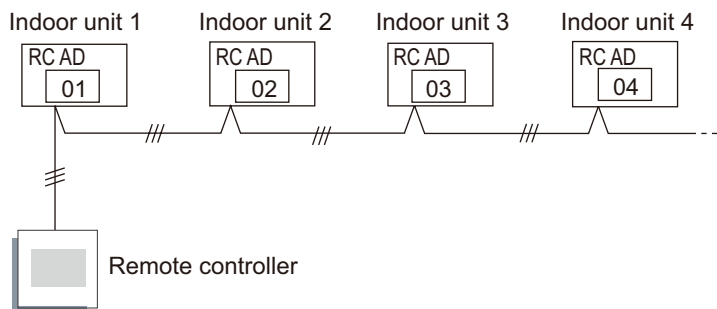
Also set the remote controller address for the remote controller. For details, refer to the remote controller installation manual.

NOTE: In manual setting, connect up to 15 indoor units in a system.

Example of wiring method



Example of wiring method

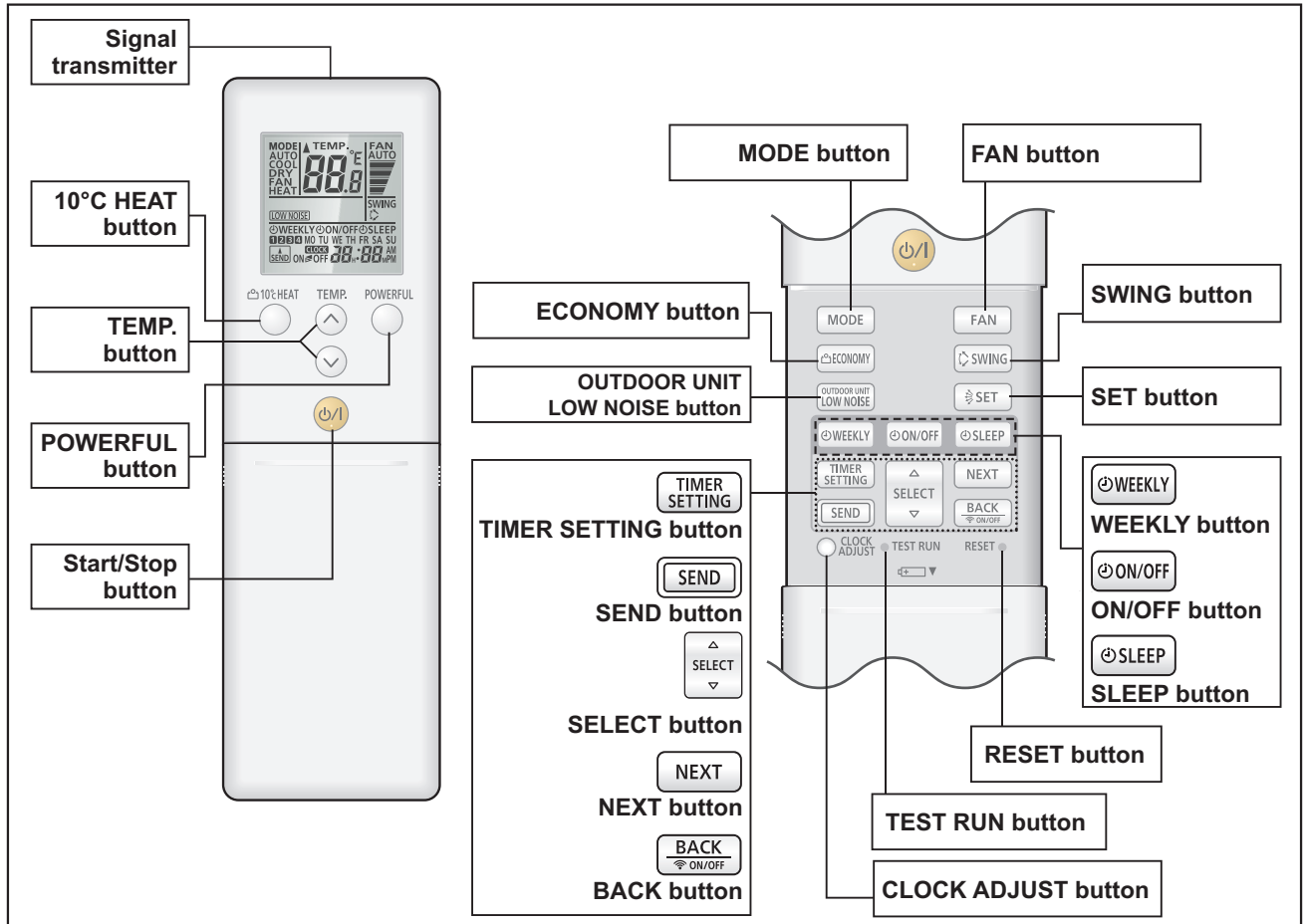


14. Remote controller

14-1. Wireless remote controller (AR-REW4E, AR-REM4E, and AR-REB1E)

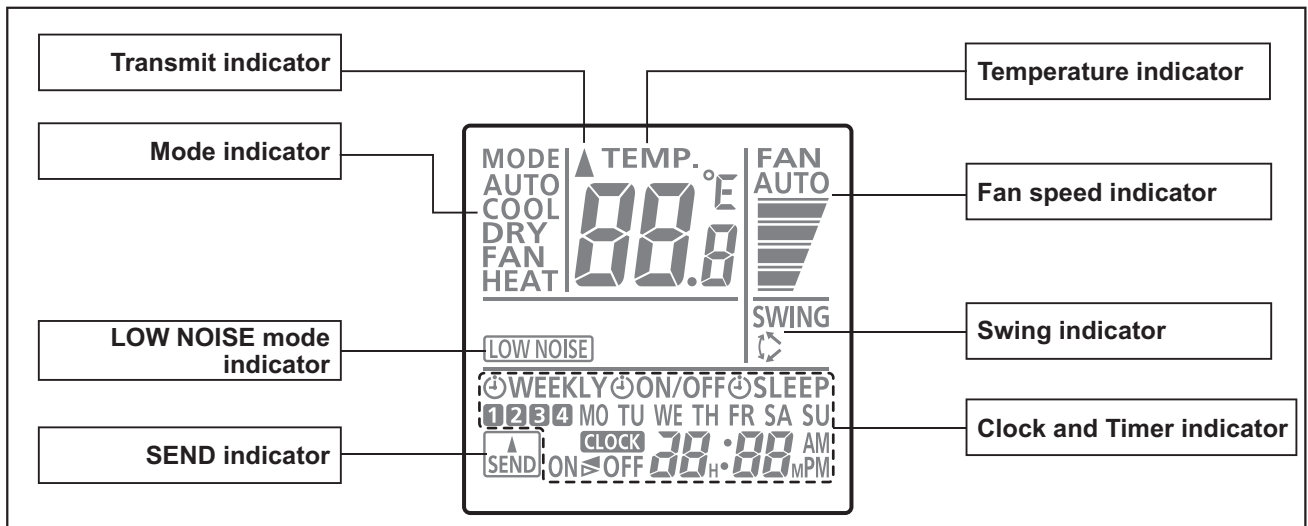
Overview

AR-REW4E



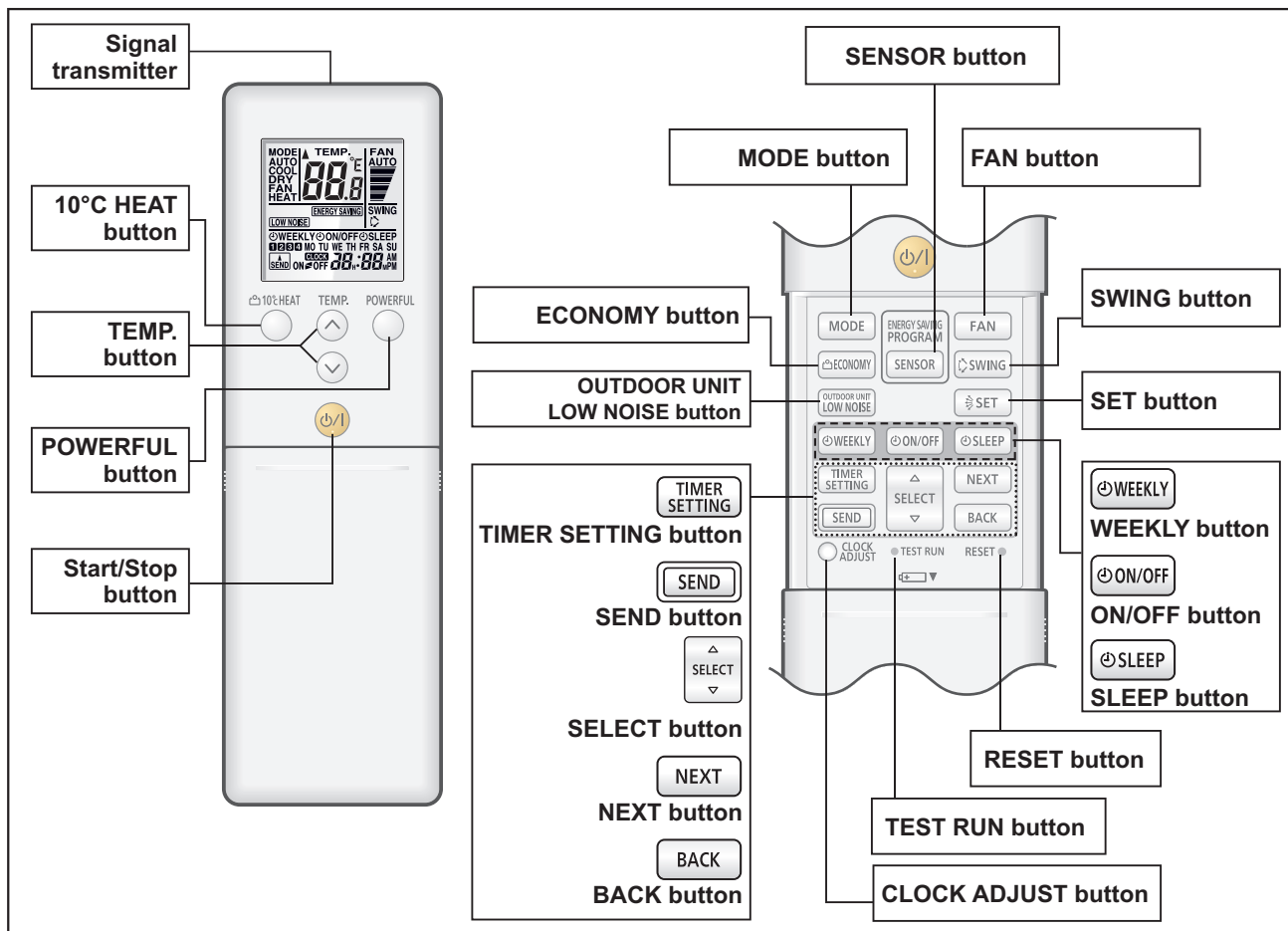
NOTE: Functions may differ by type of the indoor unit. For details, refer to the operation manual.

Display panel



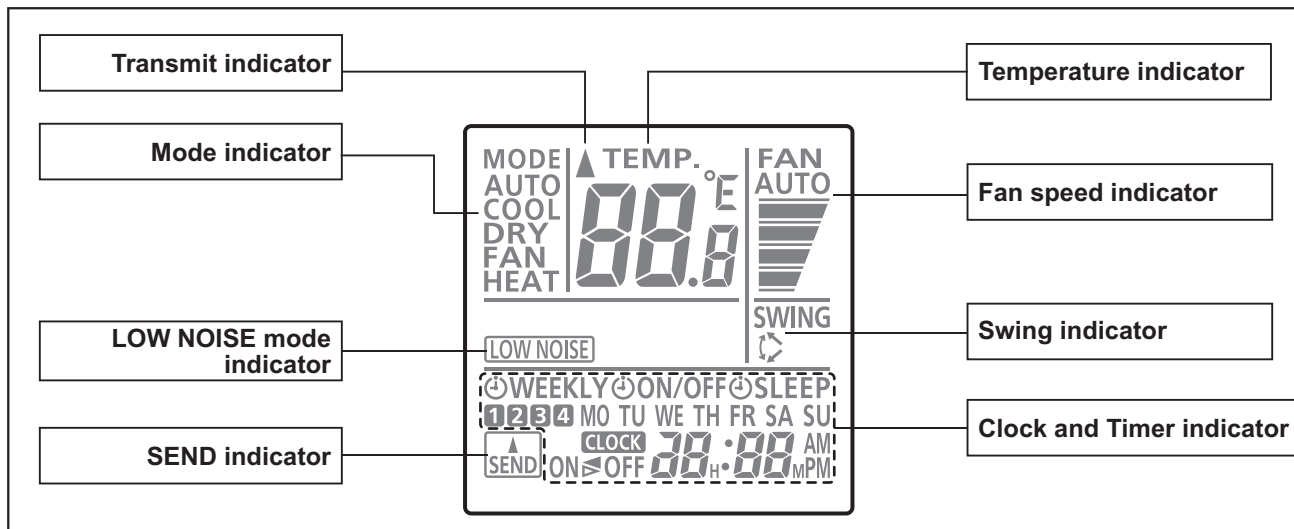
To facilitate explanation, the accompanying illustration has been drawn to show all possible indicators; in actual operation, however, the display will only show those indicators appropriate to the current operation.

AR-REM4E



NOTE: Functions may differ by type of the indoor unit. For details, refer to the operation manual.

Display panel

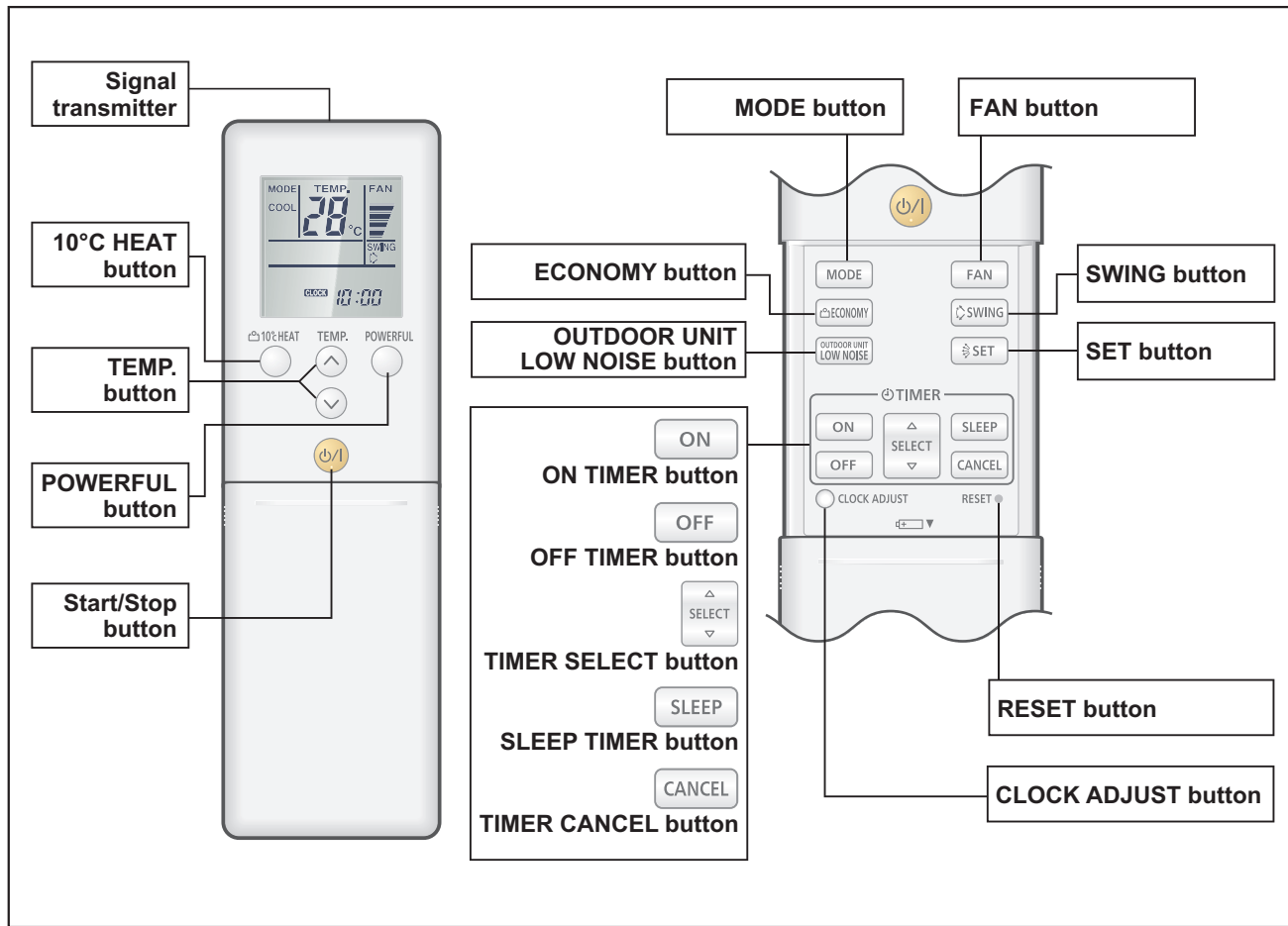


To facilitate explanation, the accompanying illustration has been drawn to show all possible indicators; in actual operation, however, the display will only show those indicators appropriate to the current operation.

AR-REB1E

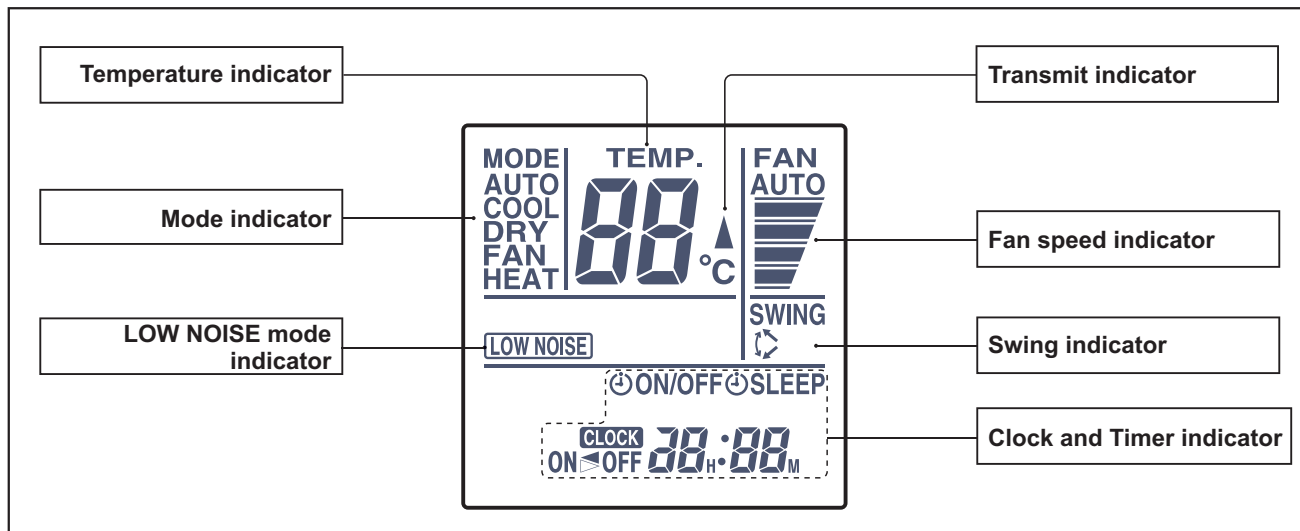
4-5 UNIT
MULTI-SPLIT TYPE

4-5 UNIT
MULTI-SPLIT TYPE



NOTE: Functions may differ by type of the indoor unit. For details, refer to the operation manual.

Display panel

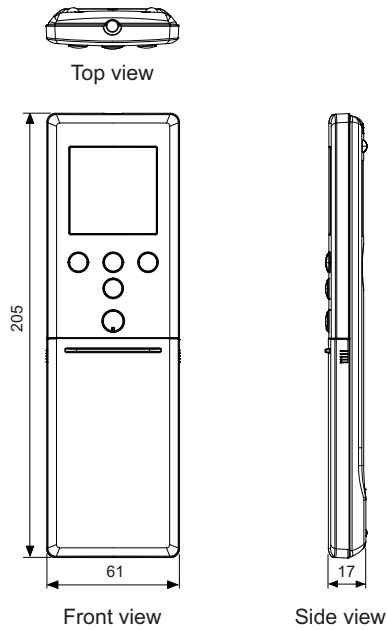


To facilitate explanation, the accompanying illustration has been drawn to show all possible indicators; in actual operation, however, the display will only show those indicators appropriate to the current operation.

Specifications

● Controller

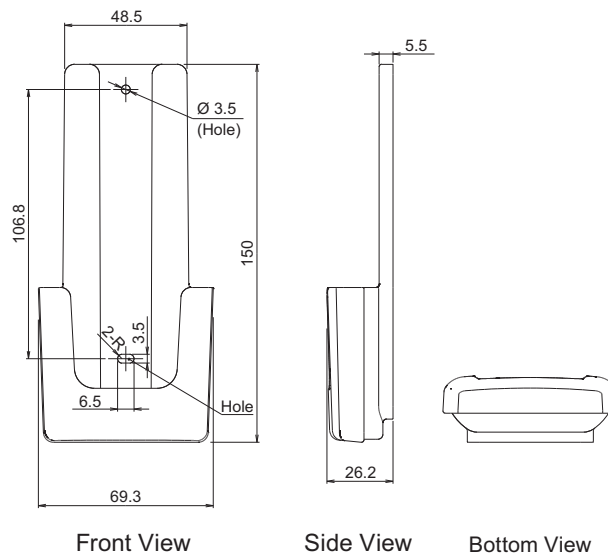
Unit: mm



| | | |
|------------------|----|-------------------------|
| Size (H × W × D) | mm | 205 × 61 × 17 |
| Weight | g | 124 (without batteries) |

● Holder

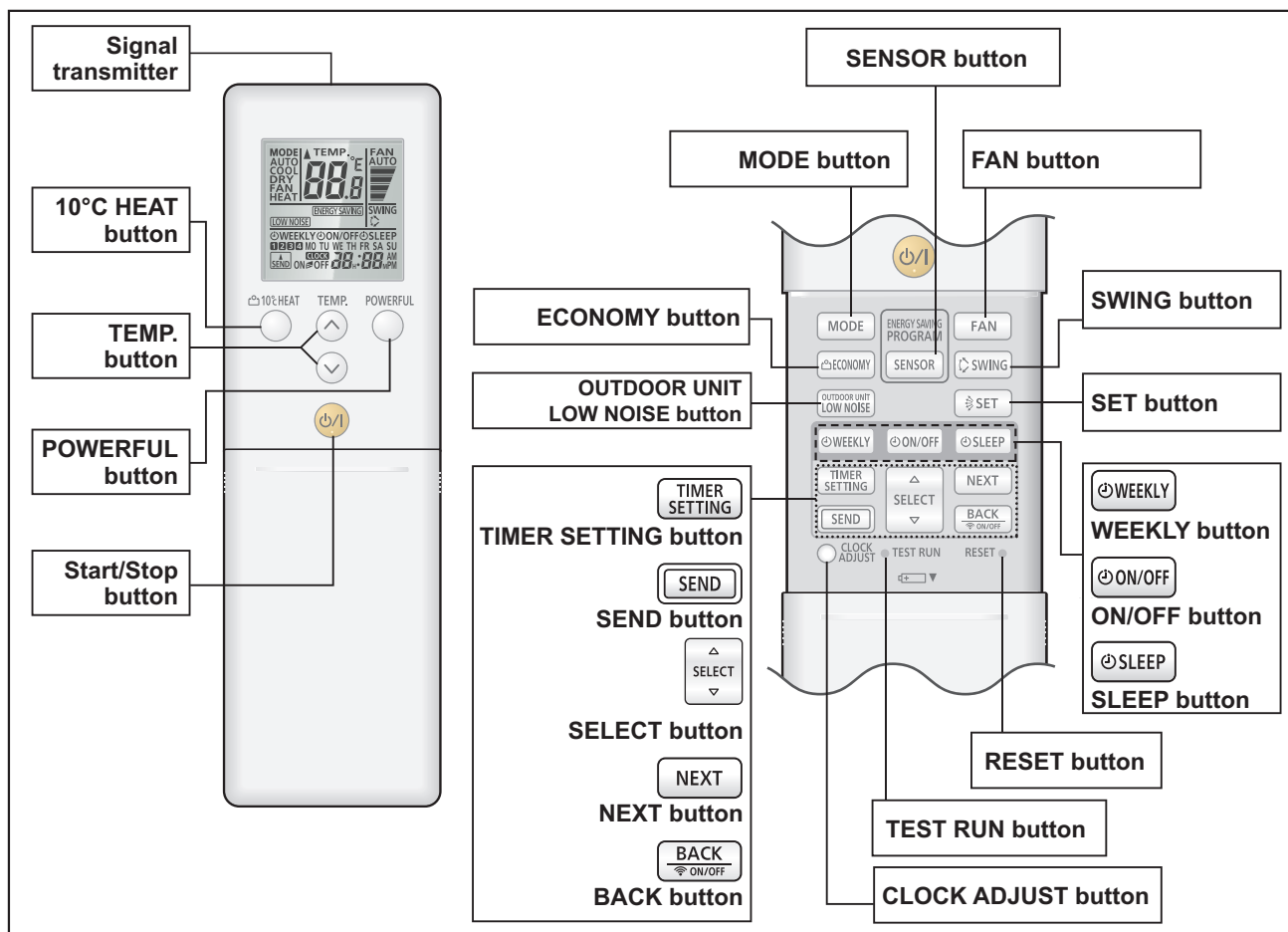
Unit: mm



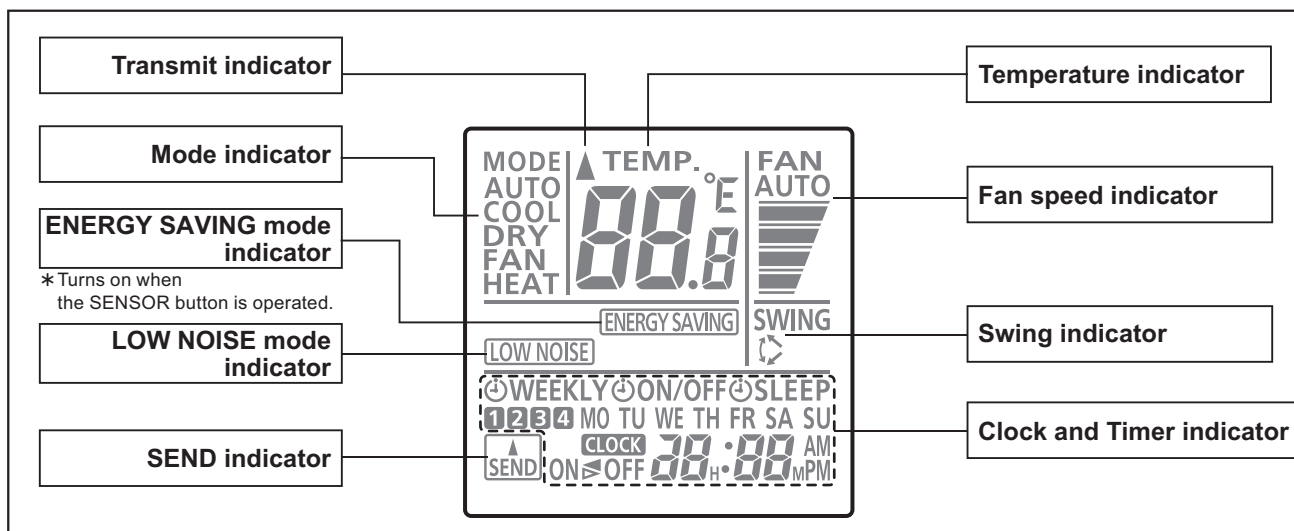
| | | |
|------------------|----|-------------------|
| Size (H × W × D) | mm | 150 × 69.3 × 26.2 |
| Weight | g | 27 |

14-2. Wireless remote controller (AR-REW3E)

Overview



NOTE: Functions may differ by type of the indoor unit. For details, refer to the operation manual.
Display panel

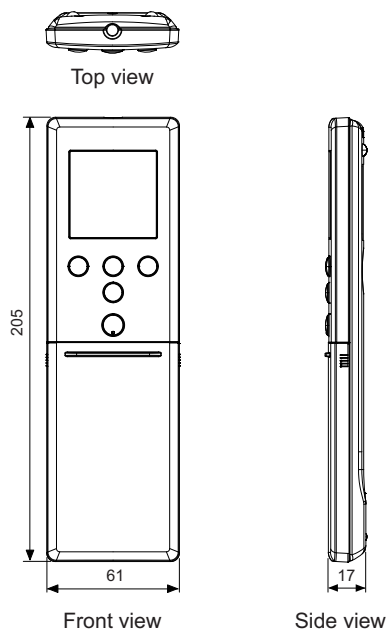


To facilitate explanation, the accompanying illustration has been drawn to show all possible indicators; in actual operation, however, the display will only show those indicators appropriate to the current operation.

■ Specifications

● Controller

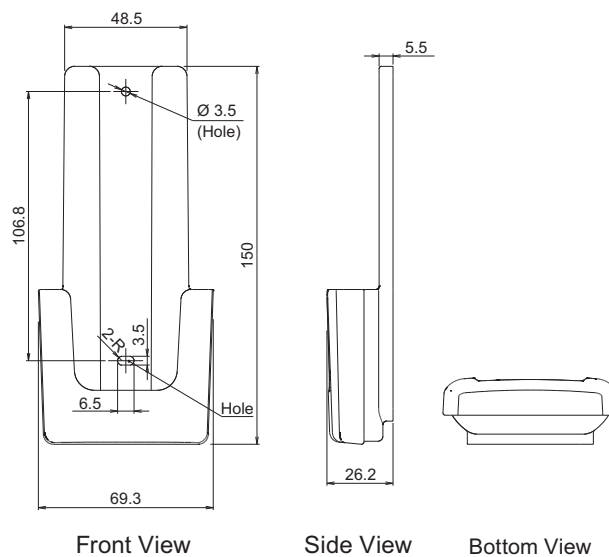
Unit: mm



| | | |
|------------------|----|-------------------------|
| Size (H × W × D) | mm | 205 × 61 × 17 |
| Weight | g | 124 (without batteries) |

● Holder

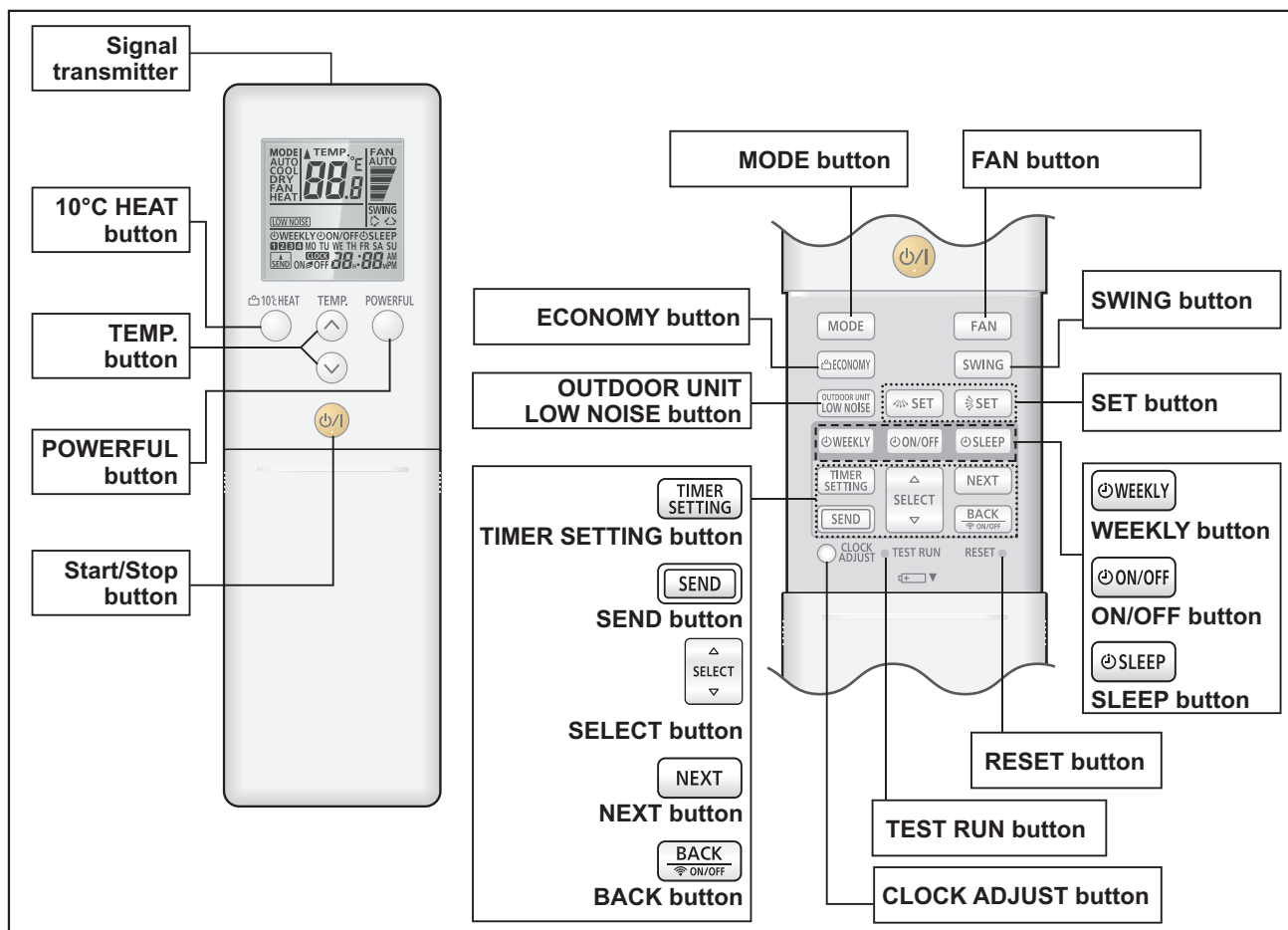
Unit: mm



| | | |
|------------------|----|-------------------|
| Size (H × W × D) | mm | 150 × 69.3 × 26.2 |
| Weight | g | 27 |

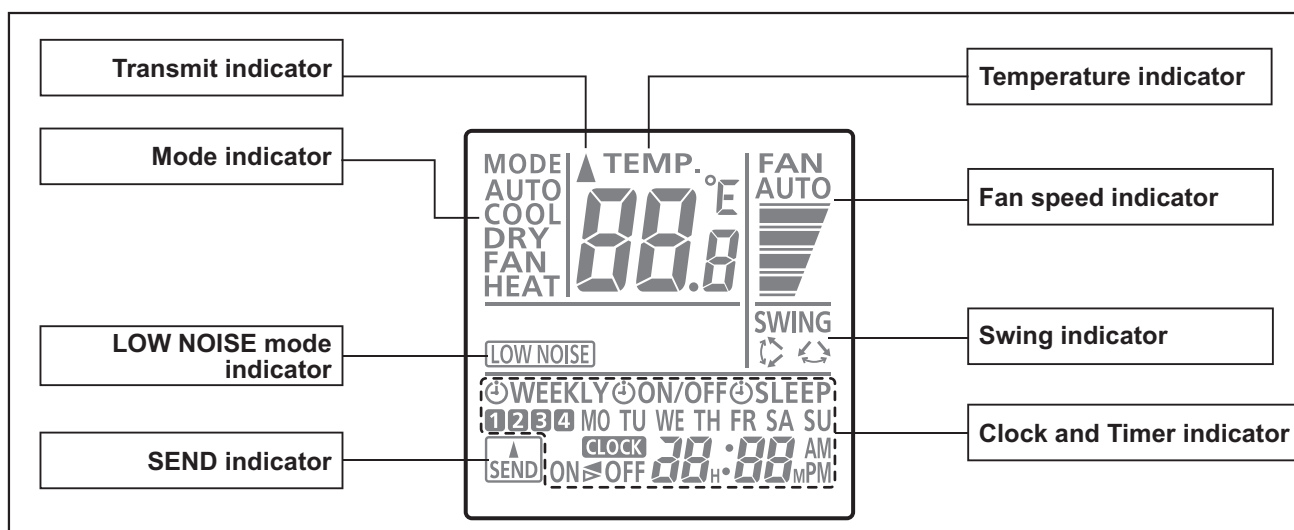
14-3. Wireless remote controller (AR-REW2E)

Overview



NOTE: Functions may differ by type of the indoor unit. For details, refer to the operation manual.

Display panel

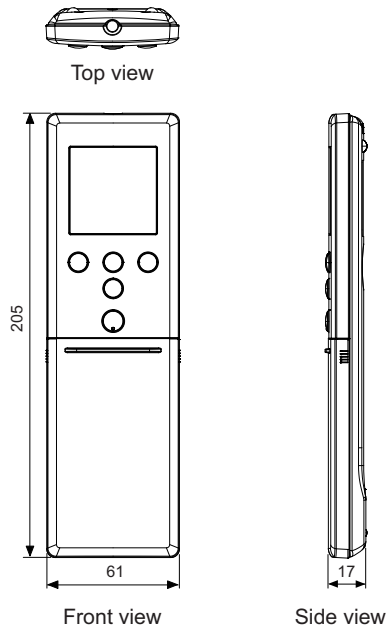


To facilitate explanation, the accompanying illustration has been drawn to show all possible indicators; in actual operation, however, the display will only show those indicators appropriate to the current operation.

Specifications

● Controller

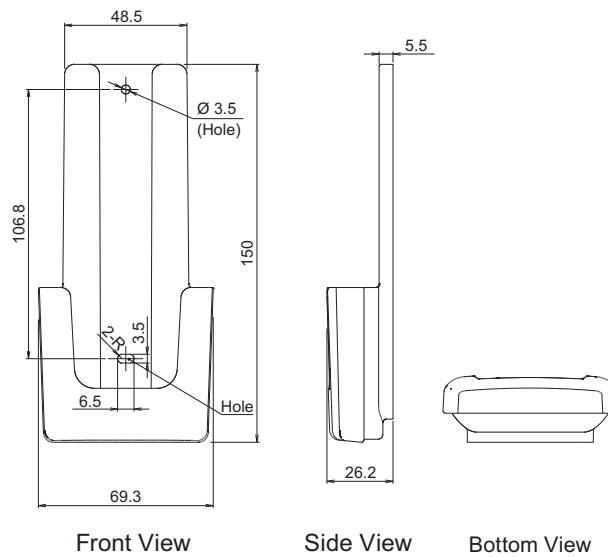
Unit: mm



| | | |
|------------------|----|-------------------------|
| Size (H × W × D) | mm | 205 × 61 × 17 |
| Weight | g | 125 (without batteries) |

● Holder

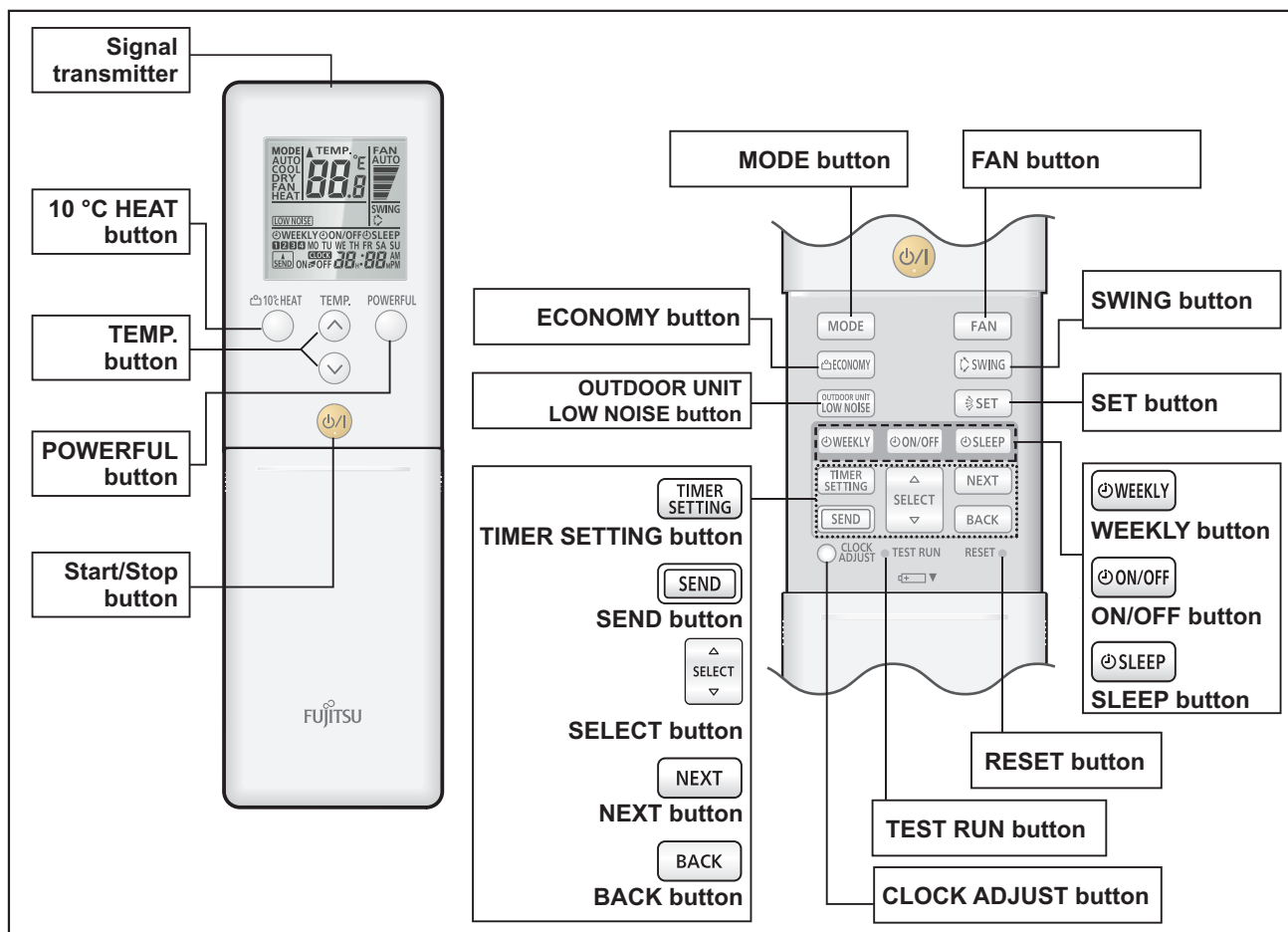
Unit: mm



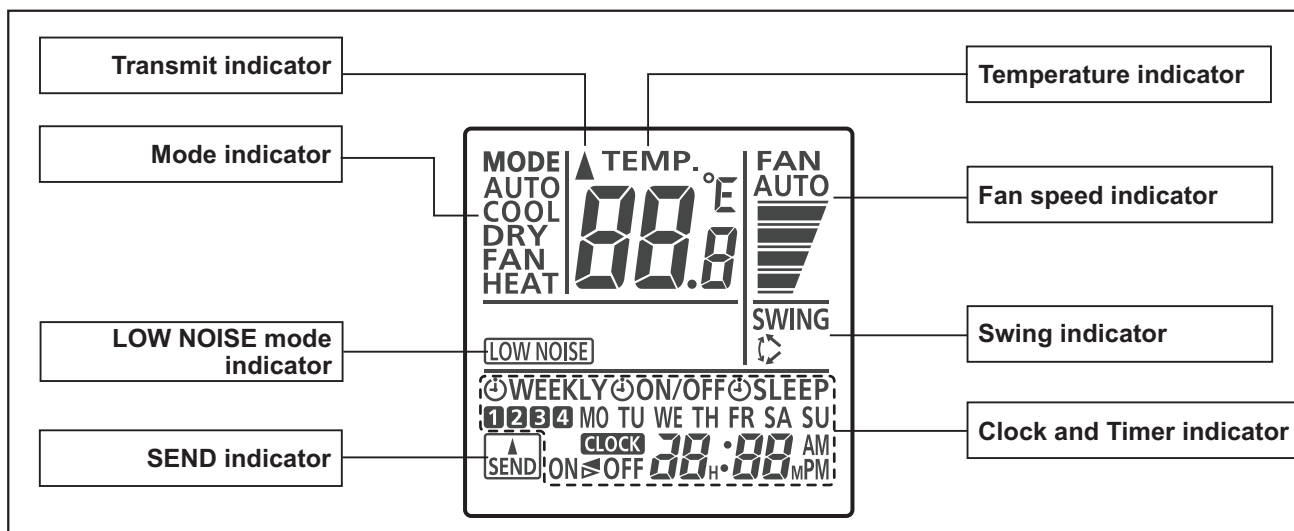
| | | |
|------------------|----|-------------------|
| Size (H × W × D) | mm | 150 × 69.3 × 26.2 |
| Weight | g | 27 |

14-4. Wireless remote controller (AR-REM7E)

Overview



NOTE: Functions may differ by type of the indoor unit. For details, refer to the operation manual.
Display panel

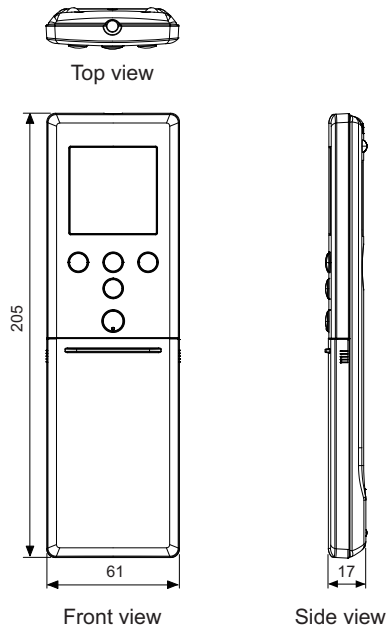


To facilitate explanation, the accompanying illustration has been drawn to show all possible indicators; in actual operation, however, the display will only show those indicators appropriate to the current operation.

■ Specifications

● Controller

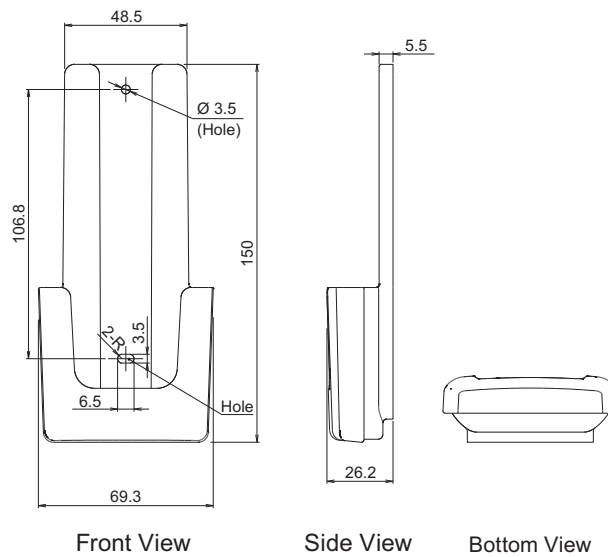
Unit: mm



| | | |
|------------------|----|-------------------------|
| Size (H × W × D) | mm | 205 × 61 × 17 |
| Weight | g | 124 (without batteries) |

● Holder

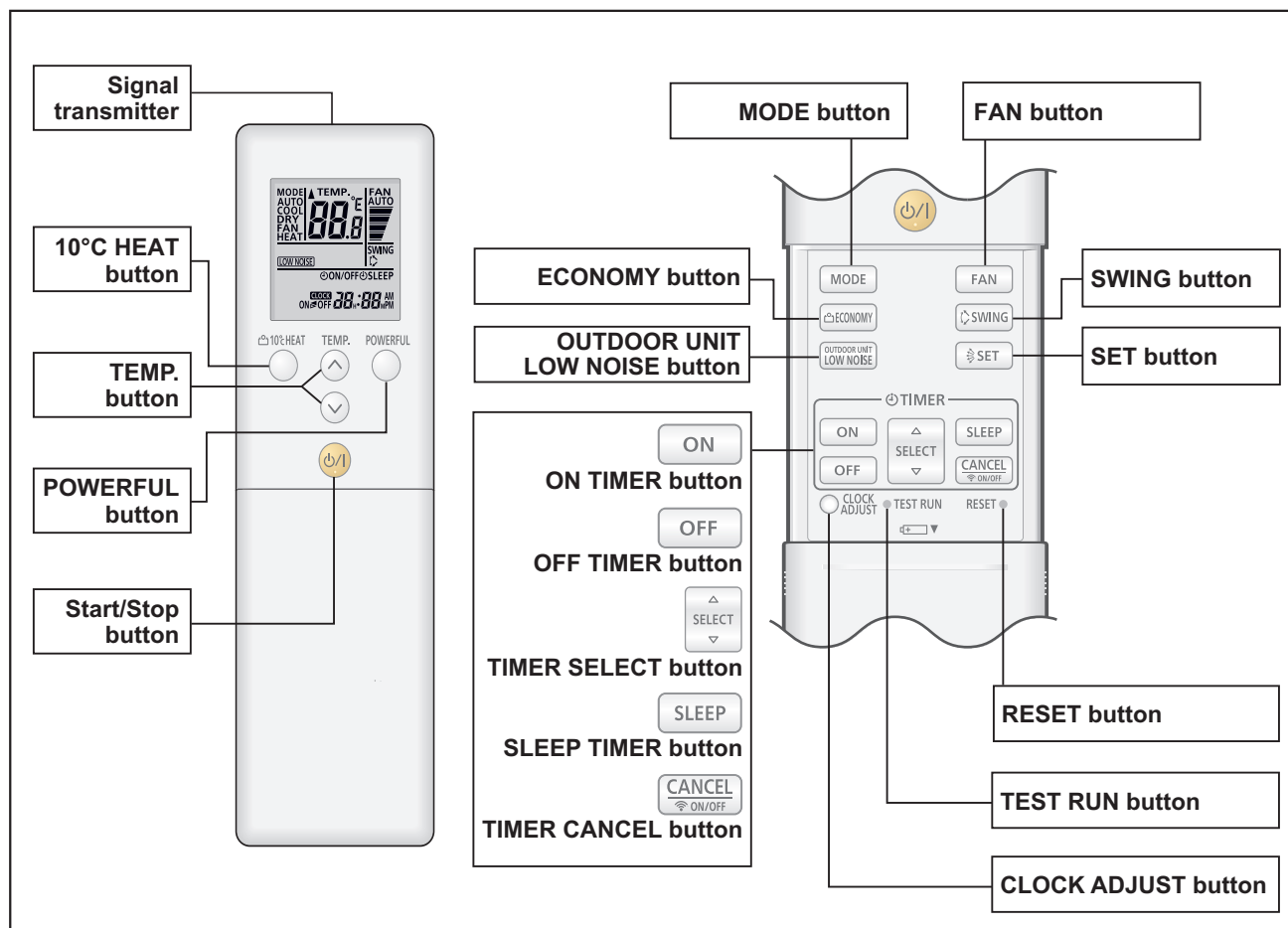
Unit: mm



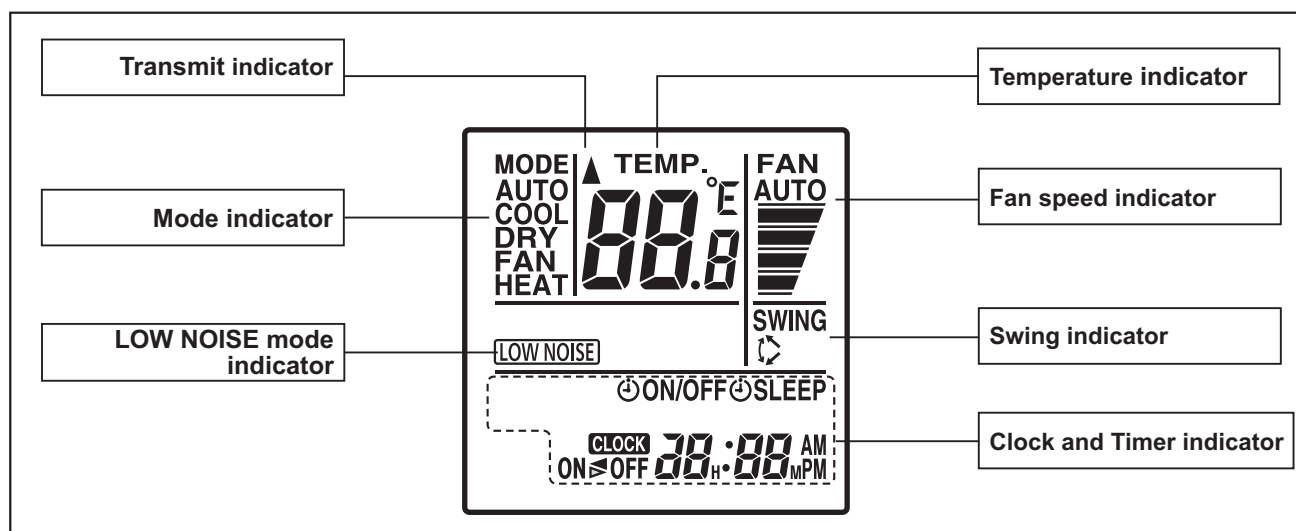
| | | |
|------------------|----|-------------------|
| Size (H × W × D) | mm | 150 × 69.3 × 26.2 |
| Weight | g | 27 |

14-5. Wireless remote controller (AR-RMB1E)

Overview



NOTE: Functions may differ by type of the indoor unit. For details, refer to the operation manual.
Display panel

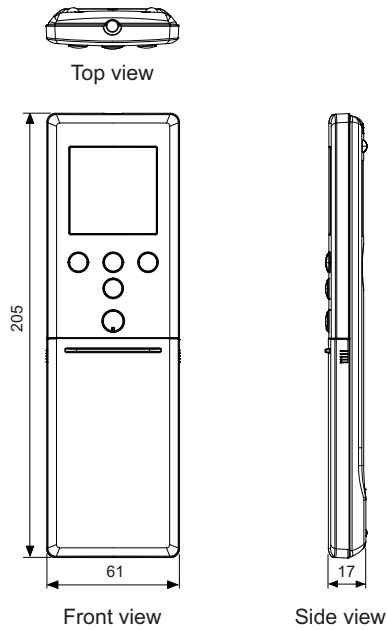


To facilitate explanation, the accompanying illustration has been drawn to show all possible indicators; in actual operation, however, the display will only show those indicators appropriate to the current operation.

■ Specifications

● Controller

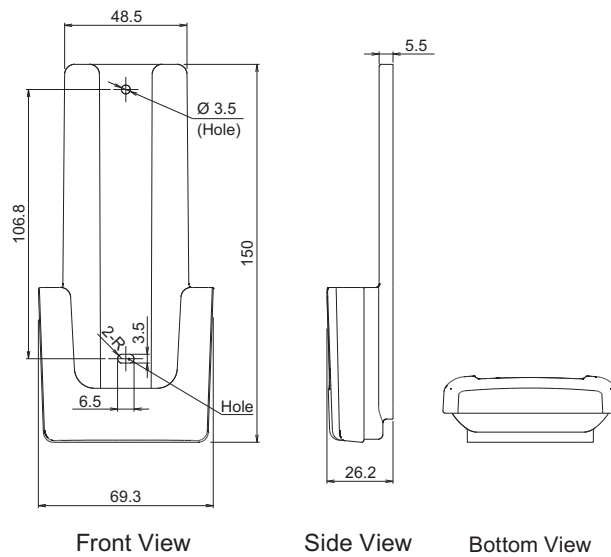
Unit: mm



| | | |
|------------------|----|-------------------------|
| Size (H × W × D) | mm | 205 × 61 × 17 |
| Weight | g | 124 (without batteries) |

● Holder

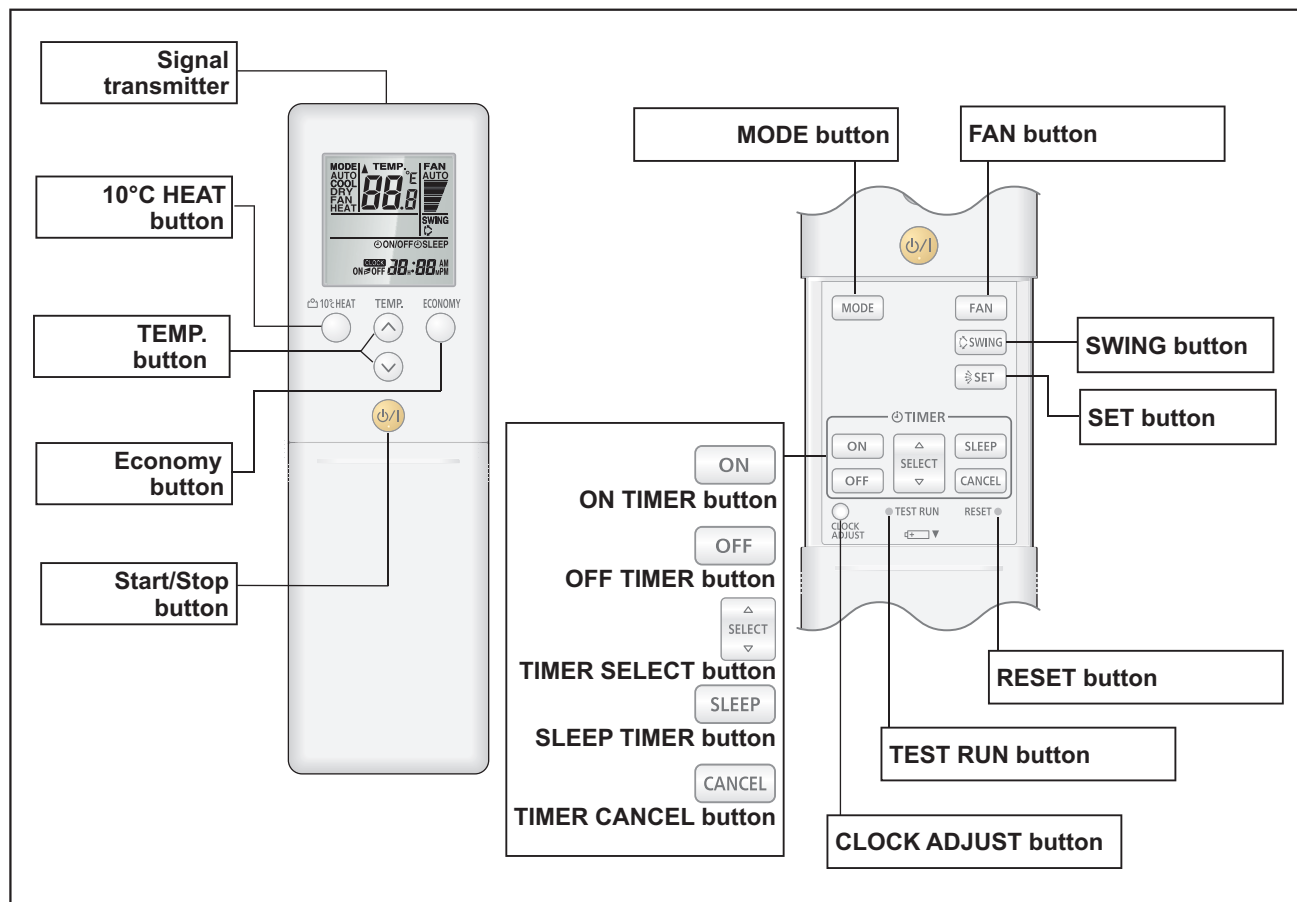
Unit: mm



| | | |
|------------------|----|-------------------|
| Size (H × W × D) | mm | 150 × 69.3 × 26.2 |
| Weight | g | 27 |

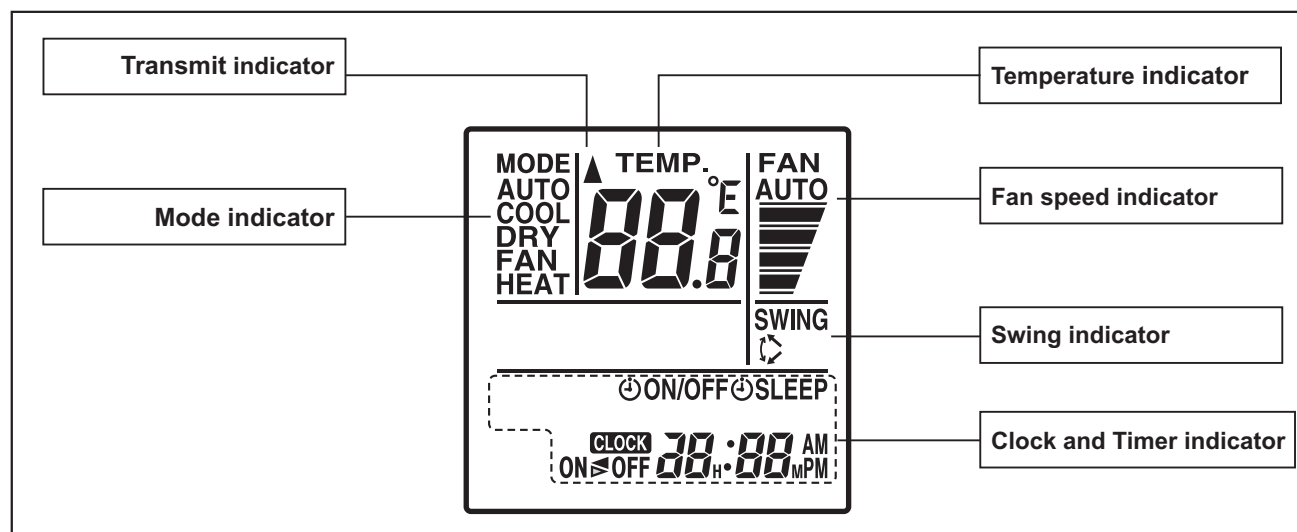
14-6. Wireless remote controller (UTY-LNTY: Optional part) and IR receiver kit with Wireless remote controller (UTY-LBTYM or UTY-LBTYH: Optional part)

Overview



NOTE: Functions may differ by type of the indoor unit. For details, refer to the operation manual.

Display panel

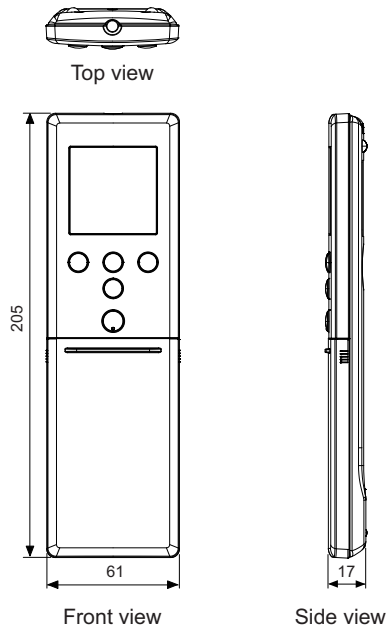


To facilitate explanation, the accompanying illustration has been drawn to show all possible indicators; in actual operation, however, the display will only show those indicators appropriate to the current operation.

Specifications

● Controller

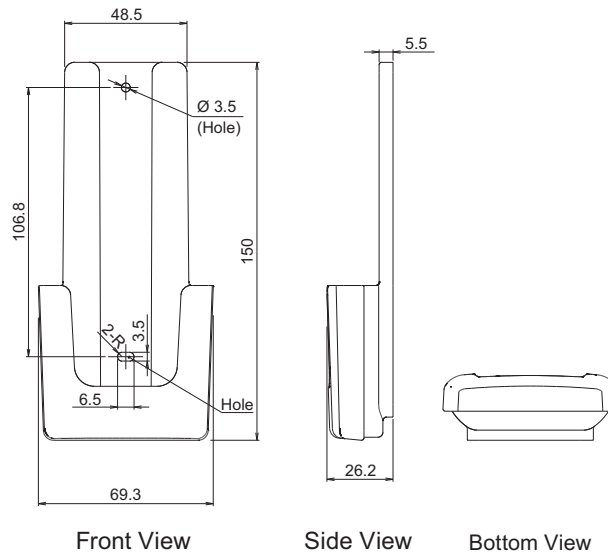
Unit: mm



| | | |
|------------------|----|-------------------------|
| Size (H × W × D) | mm | 205 × 61 × 17 |
| Weight | g | 124 (without batteries) |

● Holder

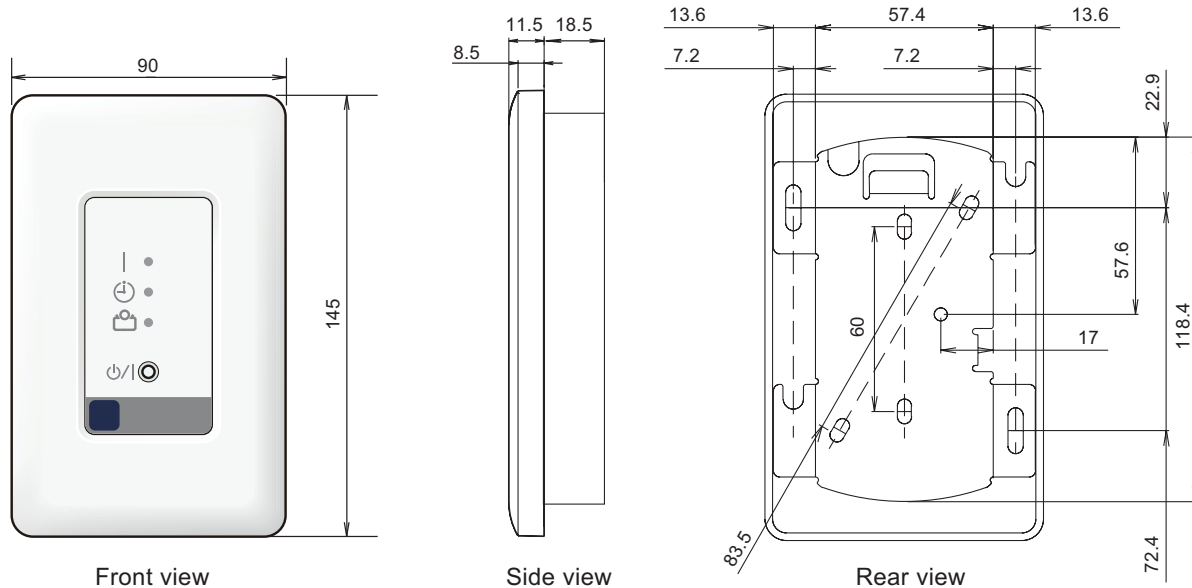
Unit: mm



| | | |
|------------------|----|-------------------|
| Size (H × W × D) | mm | 150 × 69.3 × 26.2 |
| Weight | g | 27 |

● IR receiver (UTY-LBTYM)

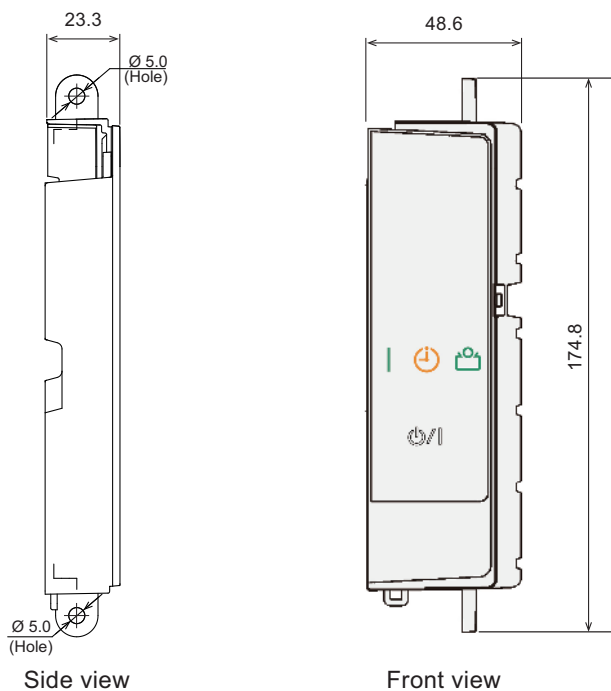
Unit: mm



| | | |
|------------------|----|---------------|
| Size (H × W × D) | mm | 145 × 90 × 30 |
| Weight | g | 150 |

● IR receiver (UTY-LBTYH)

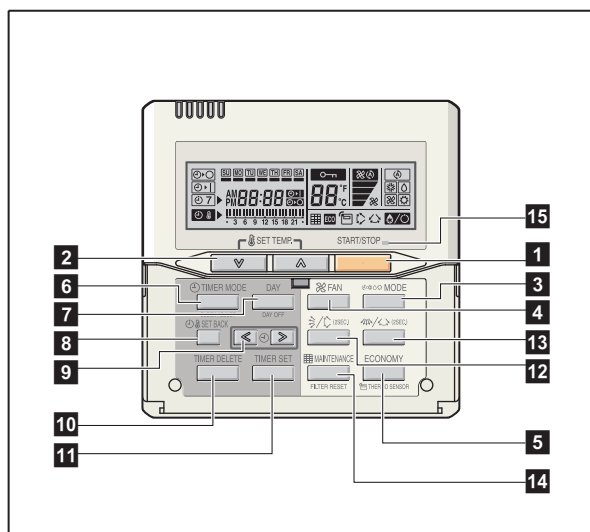
Unit: mm



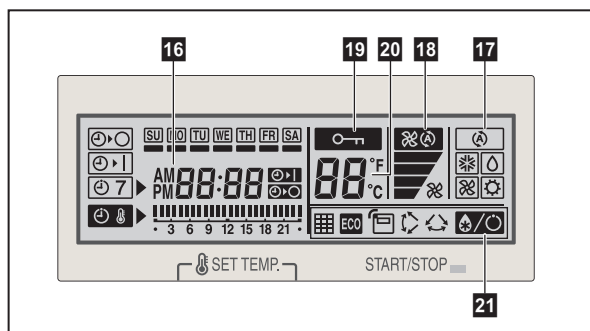
| | | |
|------------------|----|---------------------|
| Size (H × W × D) | mm | 174.8 × 48.6 × 23.3 |
|------------------|----|---------------------|

14-7. Wired remote controller (UTY-RNNYM: Optional part)










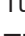






Overview



Display panel

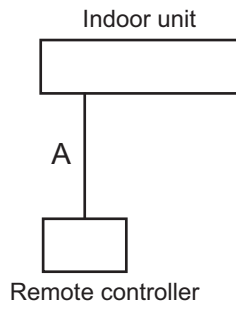


NOTE: Functions may differ by type of the indoor unit. For details, refer to the operation manual.

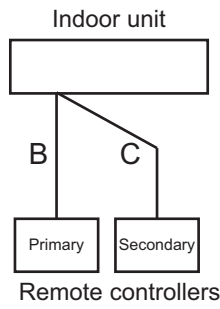
- 1 START/STOP button**
Starts and stops operation.
- 2 SET TEMP. button**
Selects the setting temperature.
- 3 MODE button**
Selects the operating mode (AUTO , HEAT , FAN , COOL , and DRY ).
- 4 FAN button**
Selects the fan speed AUTO , QUIET , LOW , MED , and HIGH .
- 5 ECONOMY (THERMO SENSOR) button**
Turns the economy-efficient mode on and off.
- 6 TIMER MODE (CLOCK ADJUST) button**
Selects the timer mode (off timer, on timer, and weekly timer). Sets the current time.
- 7 DAY (DAY OFF) button**
Temporarily cancels one day timer.
- 8 SET BACK button**
Selects the set back timer.
- 9 Set time button**
Pressed to set time.
- 10 TIMER DELETE button**
Deletes the weekly timer schedule.
- 11 TIMER SET button**
Sets the date, hour, minute, and on-off time.
- 12 Vertical airflow direction and swing button**
Push for 2 seconds to change the swing mode.
- 13 Horizontal airflow direction and swing button**
Push for 2 seconds to change the swing mode.
- 14 FILTER RESET button**
- 15 Operation lamp**
Lights during operation and when the timer is on.
- 16 Timer and clock indicator**
- 17 Operation mode indicator**
- 18 Fan speed indicator**
- 19 Operation lock indicator**
- 20 Temperature indicator**
- 21 Function indicators**
 -  Defrost indicator
 -  Thermo sensor indicator
 -  Economy indicator
 -  Vertical swing indicator
 -  Horizontal swing indicator
 -  Filter indicator

System diagram

1 remote controller:



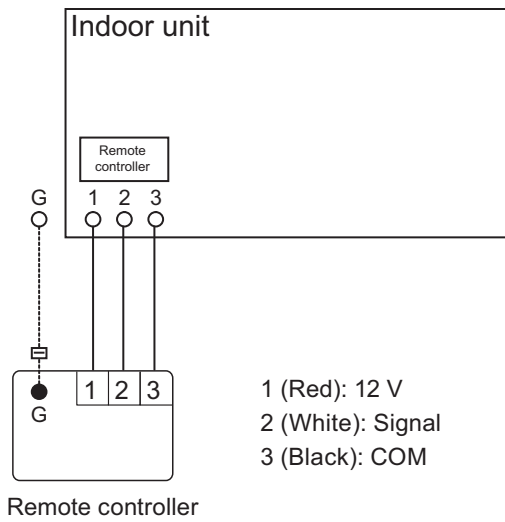
2 remote controllers:



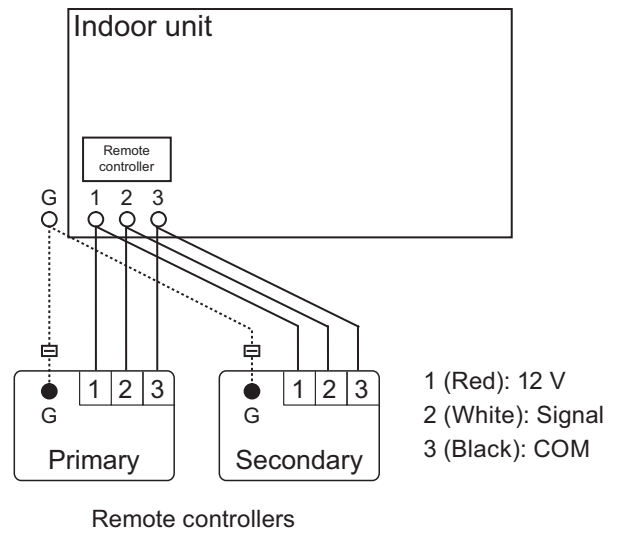
A, B, C: Remote controller cable
 $A \leq 500 \text{ m}; B + C \leq 500 \text{ m}$

Electrical wiring

1 remote controller:



2 remote controllers:



■ Specifications

Dimensions and other specifications on the wired remote controller are as follows.

| | | Unit: mm |
|--------------------------|----|----------------|
| | | |
| Size (H × W × D) | mm | 120 × 120 × 18 |
| Weight | g | 160 |
| Cable length (accessory) | m | 10 |
| Power | V | 12 |

● Wiring specifications

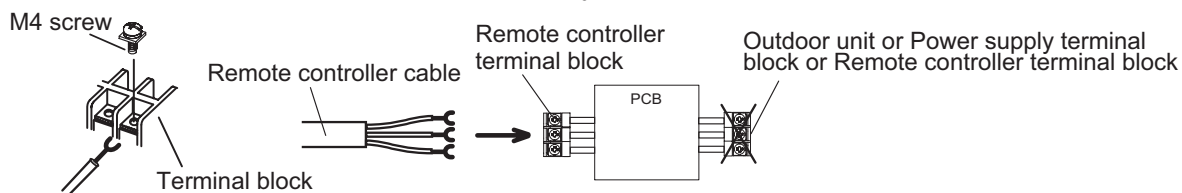
| Use | Cable size | Wire type | Remarks |
|-------------------------|-------------------------------|--------------|-------------------------|
| Remote controller cable | 0.33 mm ² (22 AWG) | Polar 3-core | Use sheathed PVC cable. |

■ Installation

Connection pattern of wired remote controller varies by the type of the connected indoor unit.

● When connecting to terminal block (for Compact cassette, Slim duct, and Mini duct types)

Connect the end of remote controller cable directly to the exclusive terminal block.

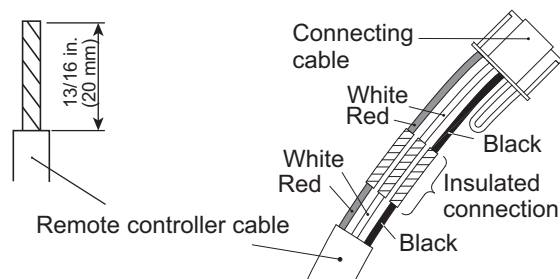


NOTE: It may be failed if it is connected to the outdoor unit or the terminal block for power supply.

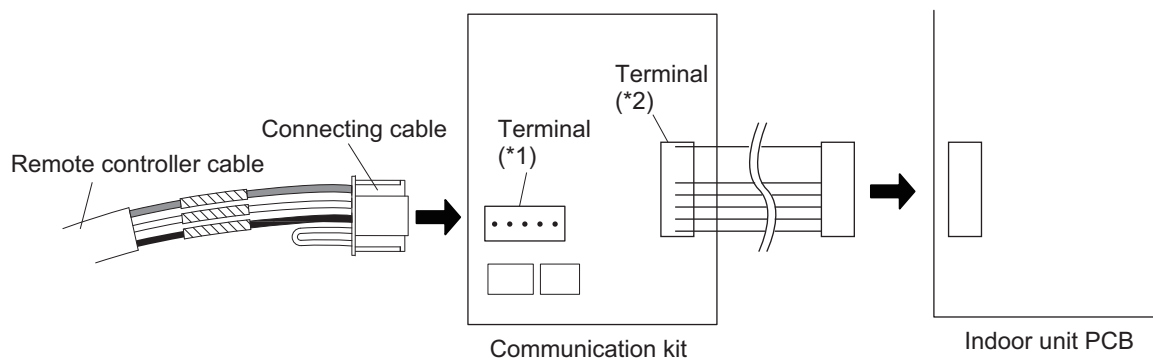
● When connecting to Communication Kit (for KM models in Wall mounted type)

When connecting the remote controller to optional Communication Kit, follow the procedures mentioned below.

1. Modify the remote controller cable as follows:
 - Use a tool to cut off the terminal on the end of the remote controller cable and then remove the insulation from the cut end of the cable as shown in following figure.
 - Connect the remote controller cable and connecting cable as shown in following figure.
 - Be sure to insulate the connection between the cables.



2. Connect the remote controller cable.
 - Connect the cable made in step 1. to the terminal*1 of optional Communication Kit.
 - Connect the cable from the terminal*2 of Communication Kit to the indoor unit PCB.



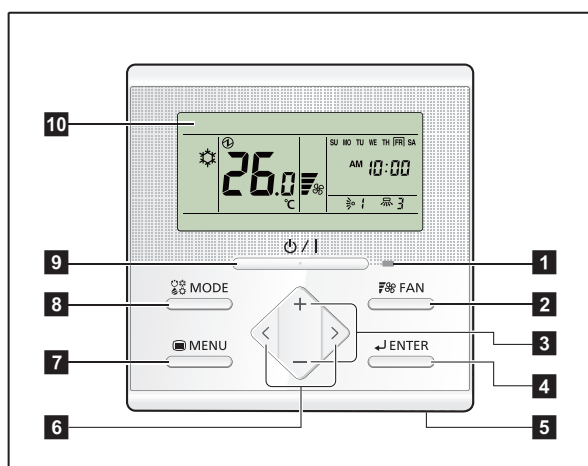
■ Required optional parts

Required optional parts for connecting the wired remote controller to the wall mounted type are as follows.

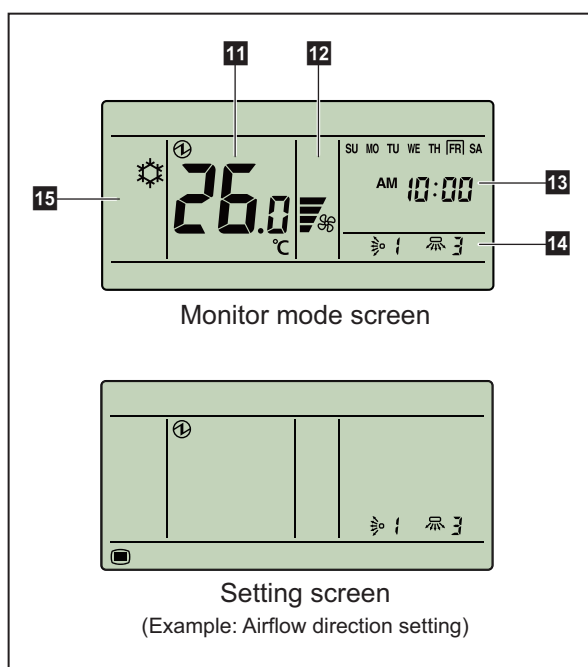
| Part name | Model name |
|----------------------|------------|
| External Connect Kit | UTY-TWBXF2 |
| Communication Kit | UTY-XWZXZ5 |

14-8. Wired remote controller (UTY-RLRY: Optional part)

Overview



Display panel



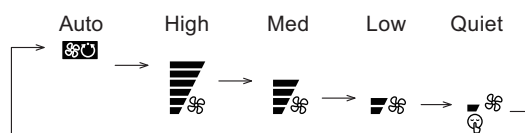
NOTE: For individual icons in Setting screen and related functions, refer to the operation manual.

1 LED lamp (Operation indicator)

Lights while the indoor unit is operating. Blinks when an error occurred.

2 FAN button

Each time the button is pressed, fan speed switches as follows:



3 +, - buttons (Set temperature buttons)

Used to adjust temperature in Monitor mode screen.

+ button: Raise

- button: Lower

In Setting screen, used to select the setting items.

NOTE: When the operation mode is set to FAN, the temperature cannot be adjusted.

4 ENTER button

Used to enter setting items and settings.

5 Room temperature sensor (inside)

Senses ambient temperature of unit.

6 <, > buttons

Used to select setting items during the setting item selection screen is displayed.

7 MENU button

Used to display the setting item selection screen.

8 MODE button

Each time the button is pressed, operation mode switches as follows:



9 On/Off button

Starts or stops the operation.

NOTE: On/Off button cannot be operated at screens other than the Monitor mode screen.

10 Display panel

Displays Monitor mode screen or Setting screen. Monitor mode screen is home screen of this controller, and the basic operation is performed in this screen. In Setting screen, several settings are adjustable.

11 Temperature indicator

12 Fan speed indicator

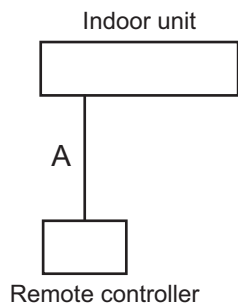
13 Clock indicator

14 Airflow direction indicator

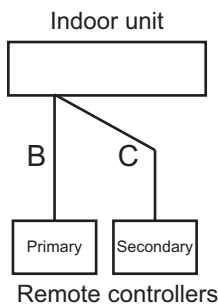
15 Operation mode indicator

System diagram

1 remote controller:



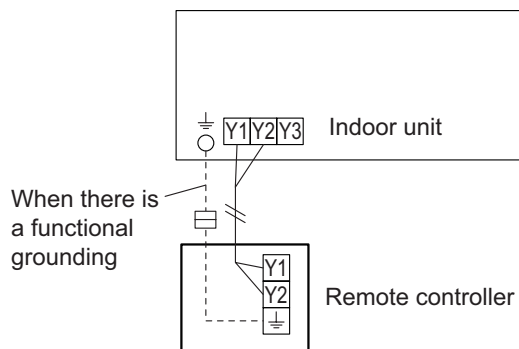
2 remote controllers:



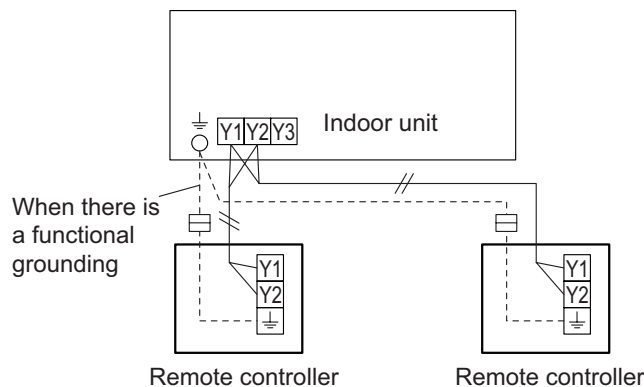
A, B, C: Remote controller cable
 $A \leq 500 \text{ m}; B + C \leq 500 \text{ m}$

Electrical wiring

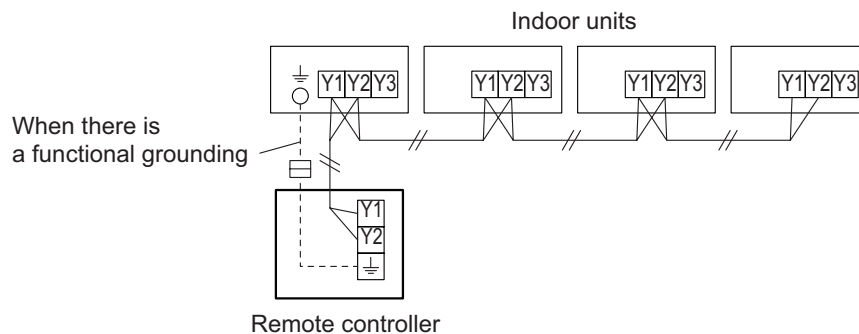
1 remote controller:



2 remote controllers:



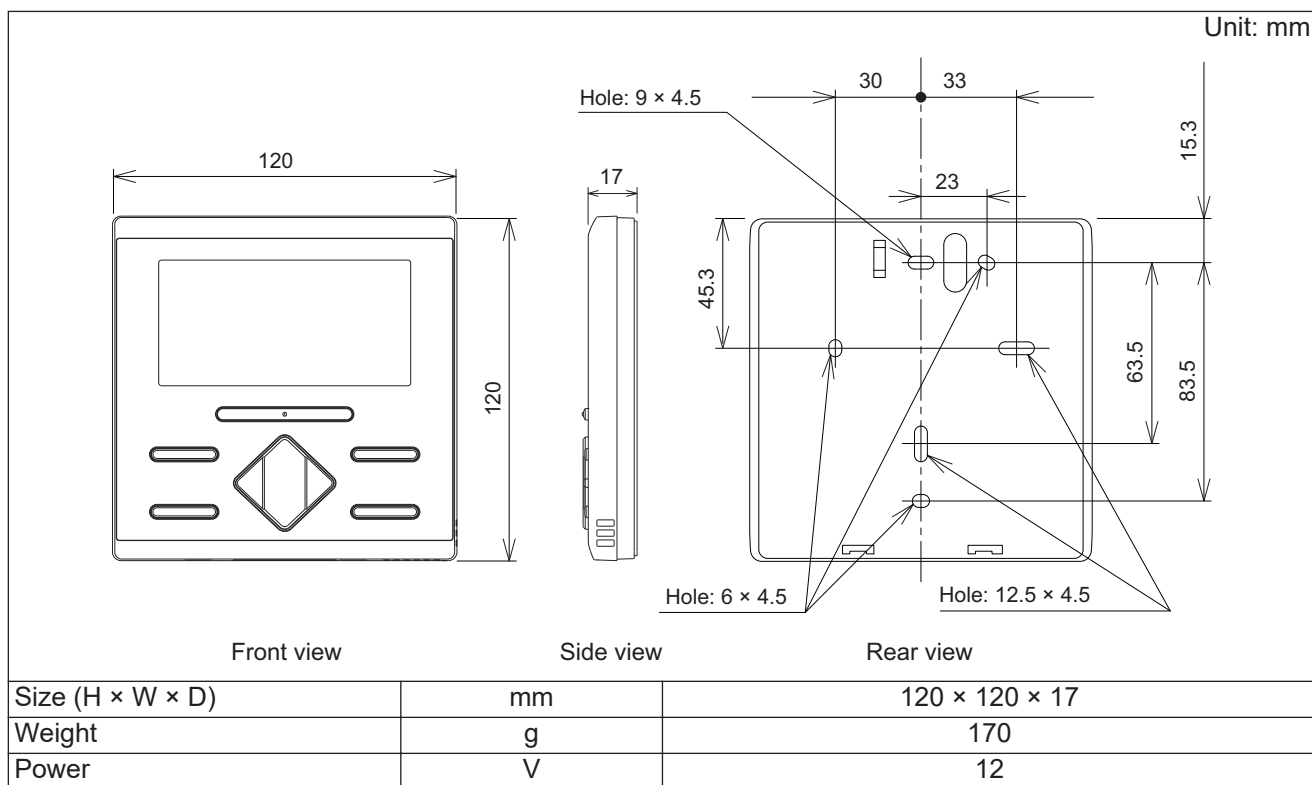
Group control:



NOTE: Group connection with Polar 3-wired remote controller is not allowed.

■ Specifications

Dimensions and other specifications on the wired remote controller are as follows.

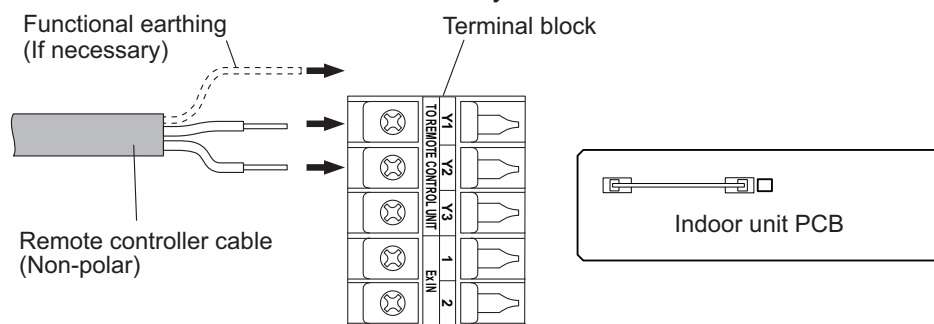


● Wiring specifications

| Use | Cable size | Wire type | Remarks |
|-------------------------|------------------------------|-----------------------------------|-------------------------|
| Remote controller cable | 0.33 to 1.25 mm ² | Non-polar 2-core, Twisted pair | Use sheathed PVC cable. |

■ Installation

Connect the end of remote controller cable directly to the exclusive terminal block.

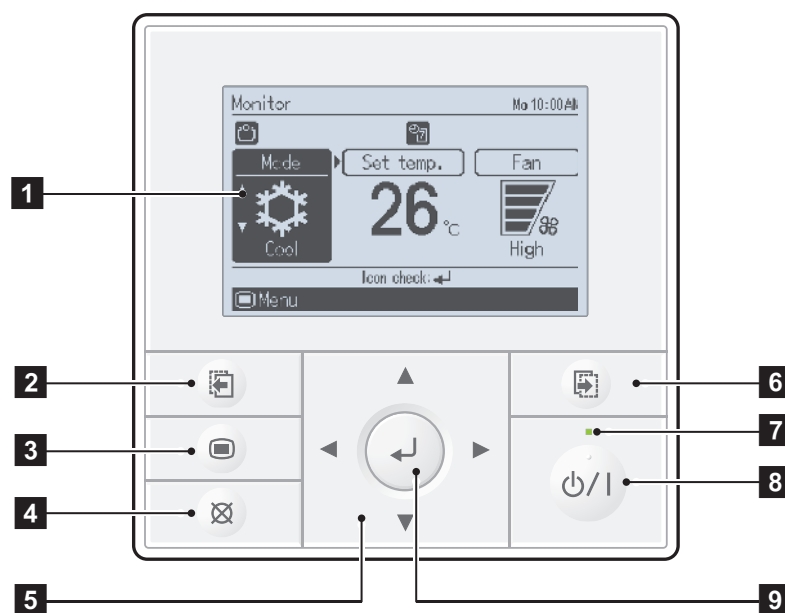


NOTES:

- Layout of terminal block and PCB is varies depending on the type of indoor unit.
- Operation may fail if it is connected to the outdoor unit or the terminal block for power supply.

14-9. Wired remote controller (UTY-RVNYM: Optional part)

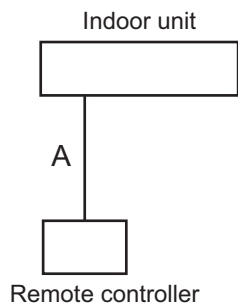
Overview



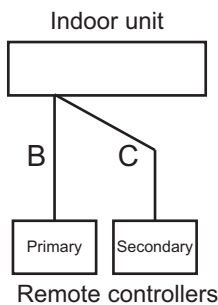
- 1** Display panel (with backlight)
- 2** Screen switch button (Left)
- 3** Menu button
- 4** Cancel button
- 5** Cursor button
- 6** Screen switch button (Right)
- 7** Power indicator
- 8** On/off button
- 9** Enter button

System diagram

1 remote controller:



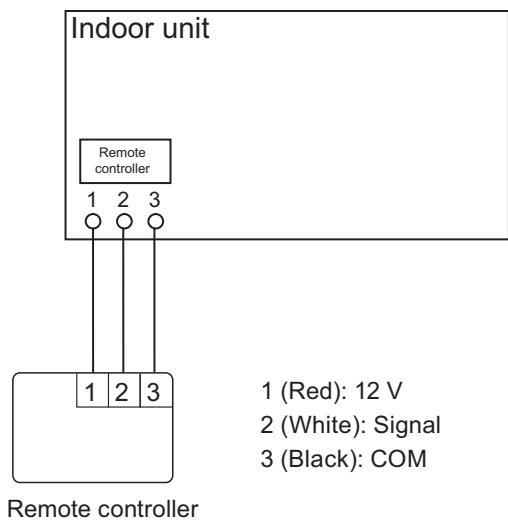
2 remote controllers:



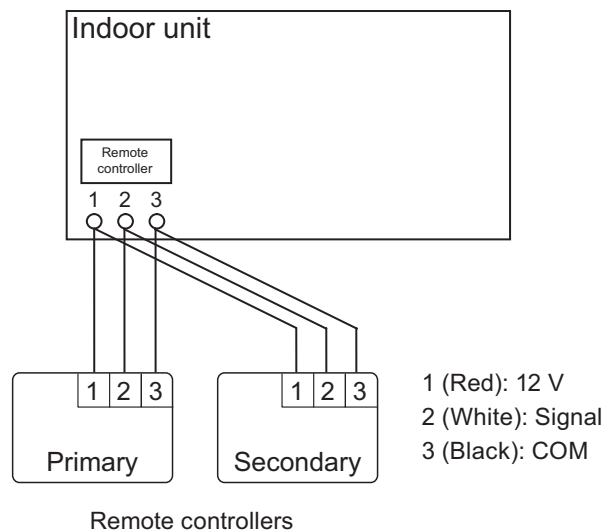
A, B, C: Remote controller cable
 $A \leq 500 \text{ m}$; $B + C \leq 500 \text{ m}$

Electrical wiring

1 remote controller:



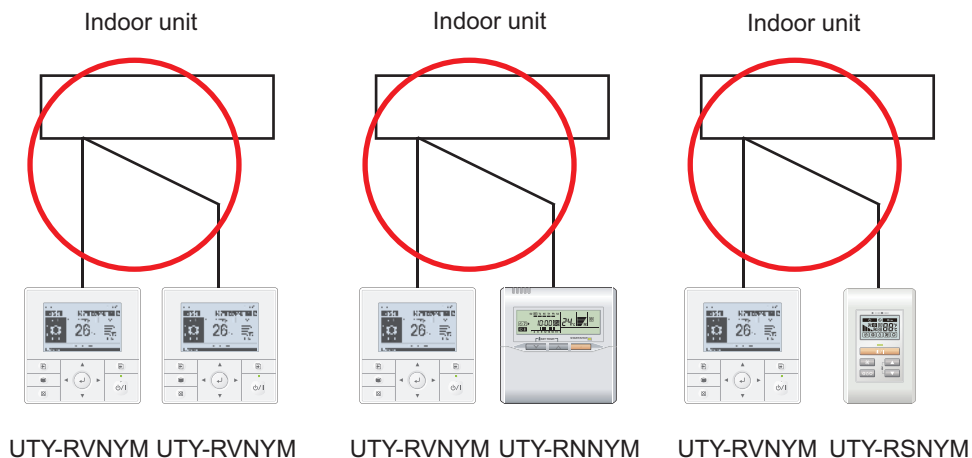
2 remote controllers:



Controller combination

As for the combined usage of the controller, refer to following figures.

● Good



■ Specifications

Unit: mm

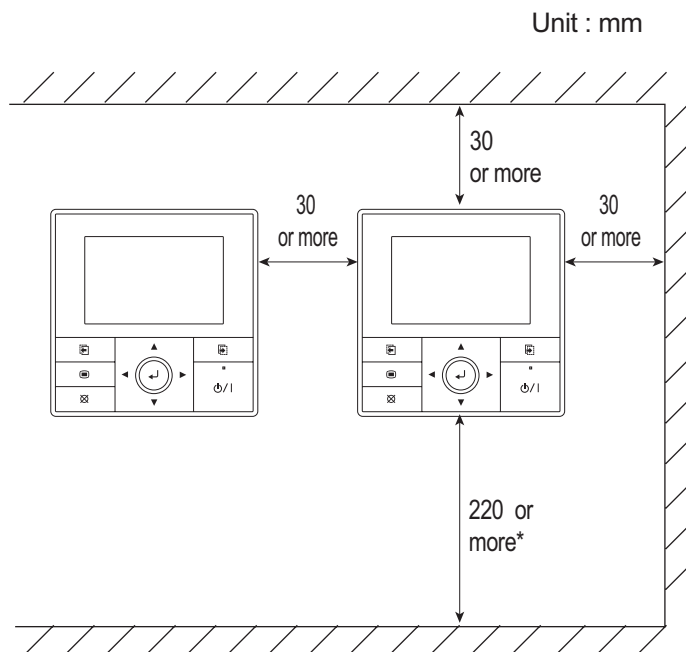
| | | |
|------------------|----|------------------|
| Size (H × W × D) | mm | 120 × 120 × 21.3 |
| Weight | g | 220 |

● Wiring specifications

| Use | Cable size | Wire type | Remarks |
|-------------------------|----------------------|--------------|-------------------------|
| Remote controller cable | 0.33 mm ² | Polar 3 core | Use sheathed PVC cable. |

■ Installation (Remote control main unit)

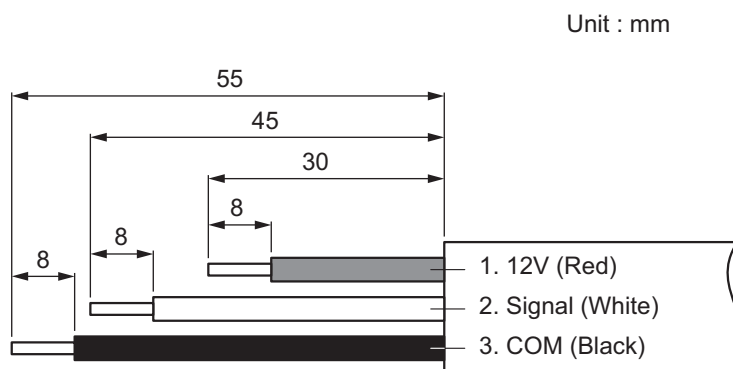
Installation space:



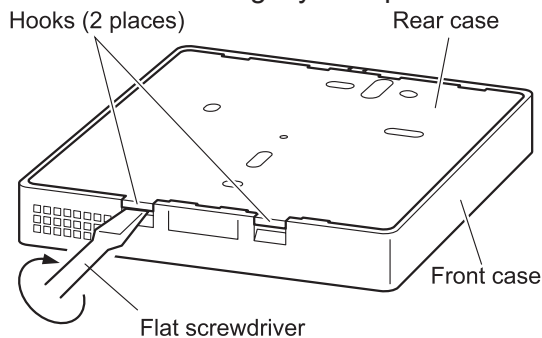
NOTE: Secure enough space where a flat-blade screwdriver to remove the case can be inserted.

Installation procedures:

1. Process the remote controller cable.



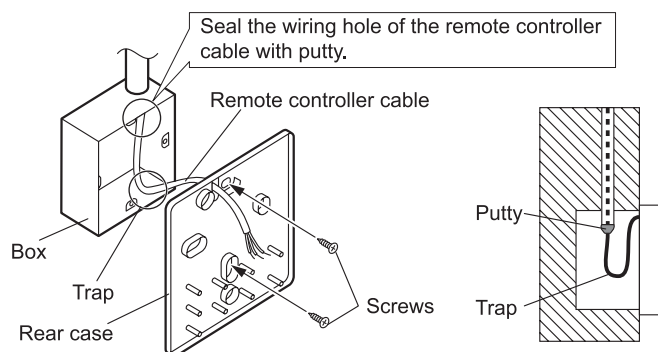
2. Insert the flat-blade screwdriver and twist it slightly to separate the front case and rear case.



3. Attach the remote controller.

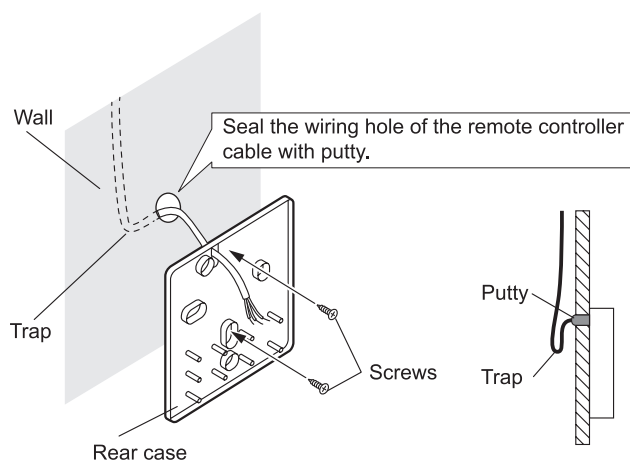
• When attaching to switch box:

- Seal the wiring hole of the remote controller cable.
- Put a remote controller cable through the hole of the rear case.
- Fix the rear case by securing it with attached screws (2 places).



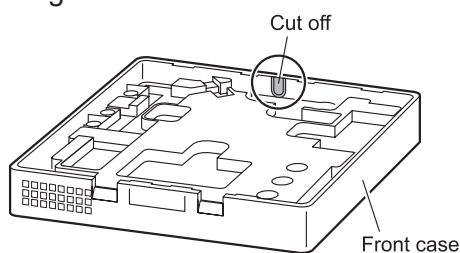
• When attaching to the wall directly:

- Seal the wiring hole of the remote controller cable.
- Put a remote controller cable through the back hole of the rear case of the main body.
- Fix the rear case by securing it with attached screws (2 places).

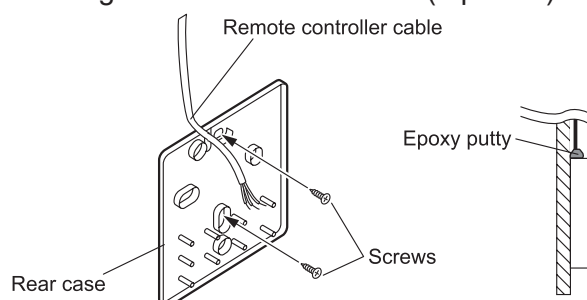


• When routing the cable on-wall:

- Cut off the cable guide of the front case with using a knife or a nipper.
- Deburr the edge of the cable guide.

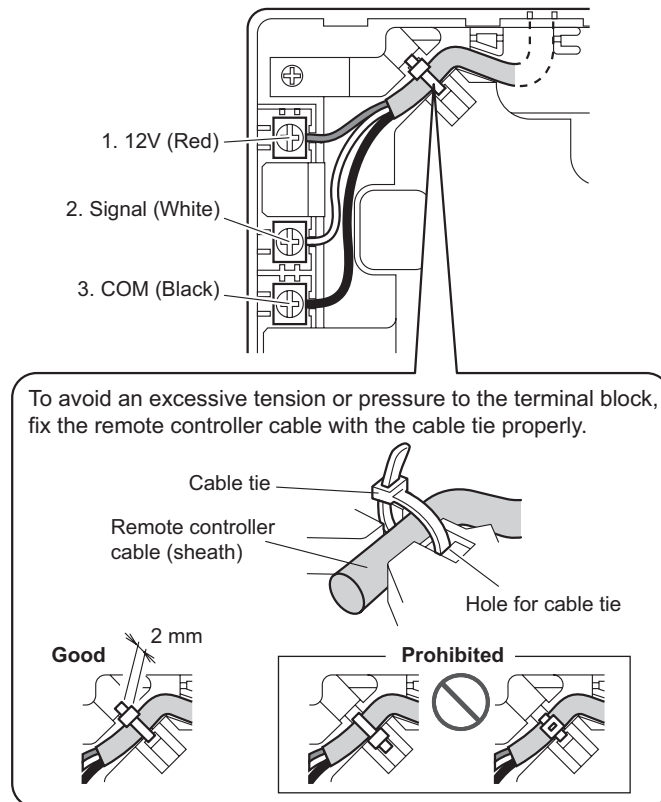


- Fix the rear case by securing it with attached screws (2 places).



4. Connect the cable to the terminals on the front case.
Fix the cable together with the sheath with the cable tie. Cut off the excess cable tie.

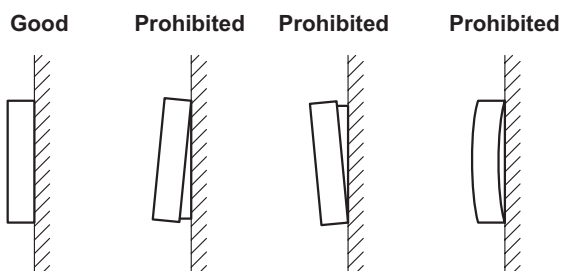
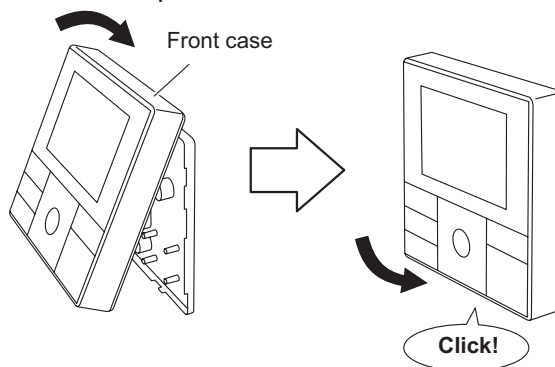
| Tightening torque | |
|-------------------|----------------|
| Terminal screw | 0.8 to 1.2 N·m |



⚠ CAUTION

- Be careful to avoid breaking the cable by over-tightening the cable tie.
- When connecting the remote controller cables, do not over-tighten the screws.

5. Attach the front case.
 - Insert after adjusting upper part of front case.
 - When insert the front case, do not pinch the cable.



⚠ CAUTION

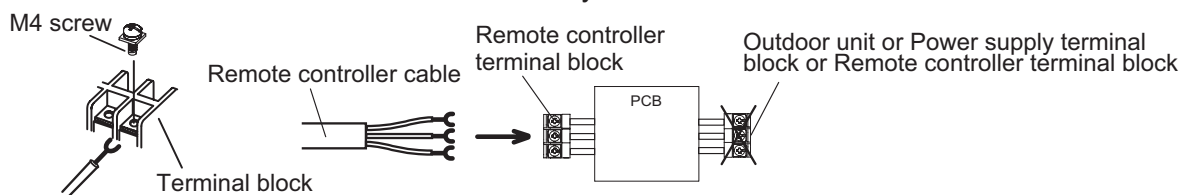
Insert the upper case firmly. If improperly attached, it will cause the upper case to fall off.

■ Installation

Connection pattern of wired remote controller varies by the type of the connected indoor unit.

● When connecting to terminal block (for Compact cassette, Slim duct, and Mini duct types)

Connect the end of remote controller cable directly to the exclusive terminal block.

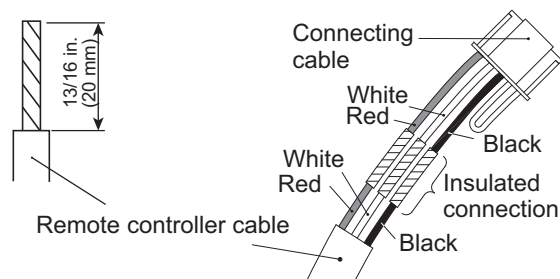


NOTE: It may be failed if it is connected to the outdoor unit or the terminal block for power supply.

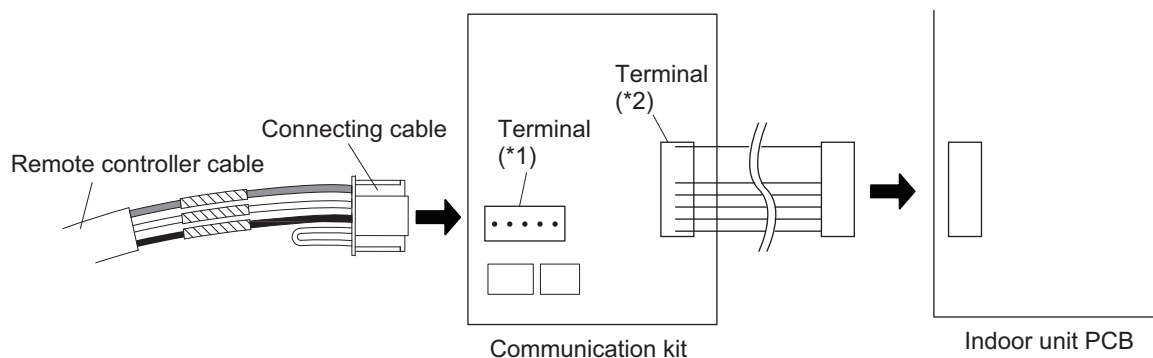
● When connecting to Communication Kit (for KM models in Wall mounted type)

When connecting the remote controller to optional Communication Kit, follow the procedures mentioned below.

1. Modify the remote controller cable as follows:
 - Use a tool to cut off the terminal on the end of the remote controller cable and then remove the insulation from the cut end of the cable as shown in following figure.
 - Connect the remote controller cable and connecting cable as shown in following figure.
 - Be sure to insulate the connection between the cables.



2. Connect the remote controller cable.
 - Connect the cable made in step 1. to the terminal*¹ of optional Communication Kit.
 - Connect the cable from the terminal*² of Communication Kit to the indoor unit PCB.



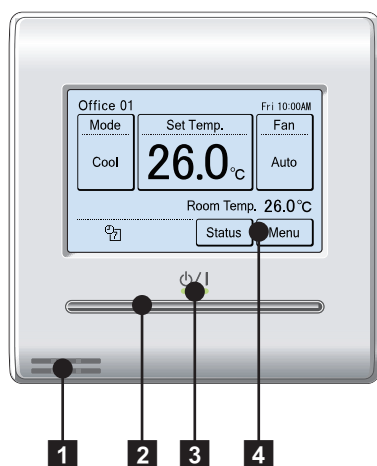
■ Required optional parts

Required optional parts for connecting the wired remote controller to the wall mounted type are as follows.

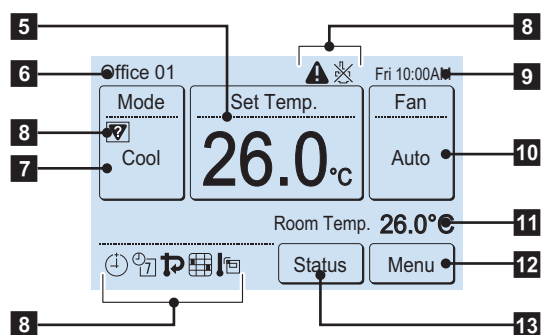
| Part name | Model name |
|----------------------|------------|
| External Connect Kit | UTY-TWBXF2 |
| Communication Kit | UTY-XWZXZ5 |

14-10. Wired remote controller (UTY-RNRYZ*: Optional part)

Overview



Display panel

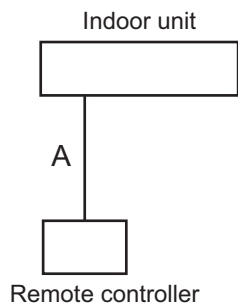


- 1 Remote temperature sensor (inside)**
- 2 On/off button**
Operable only while displaying the "Monitor mode" screen.
- 3 LED lamp (operation indicator)**
- 4 Touch panel display**
- 5 Set temperature**
Operating temperature can be set.
- 6 Remote controller group name**
- 7 Mode**
Operation mode can be set.
- 8 Status icons**
- 9 Clock**
- 10 Fan**
Fan speed can be set.
- 11 Room temperature**
- 12 Menu**
Various settings can be set.
- 13 Status**
Status of the indoor unit and error can be checked.

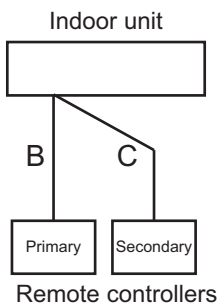
NOTE: Functions may differ by type of the indoor unit. For details, refer to the operation manual.

System diagram

1 remote controller:



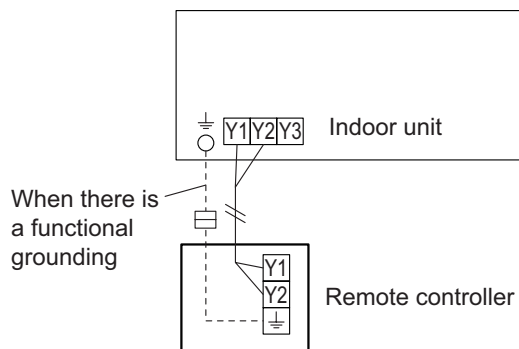
2 remote controllers:



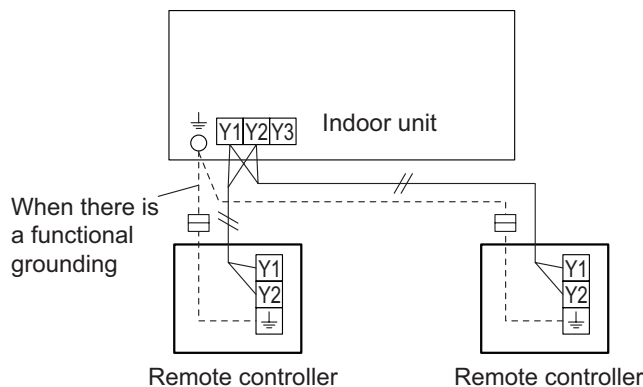
A, B, C: Remote controller cable
 $A \leq 500 \text{ m}; B + C \leq 500 \text{ m}$

Electrical wiring

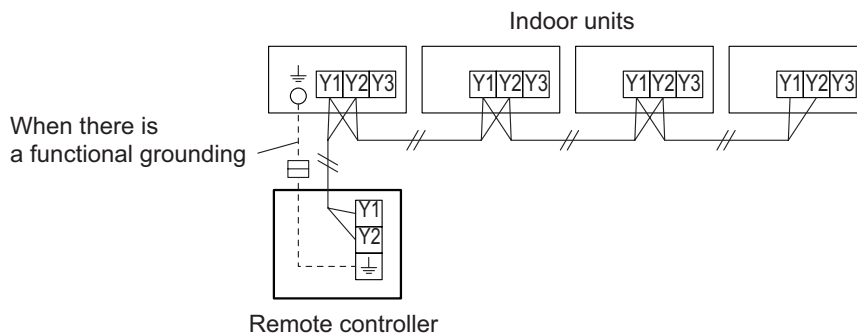
1 remote controller:



2 remote controllers:



Group control:

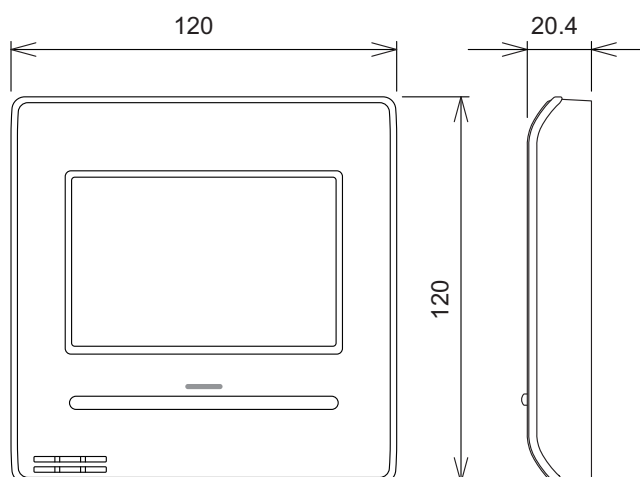


NOTE: Group connection with Polar 3-wired remote controller is not allowed.

■ Specifications

Dimensions and other specifications on the wired remote controller are as follows.

[Unit : mm]



| | |
|------------|------------|
| Model name | UTY-RNRYZ* |
|------------|------------|

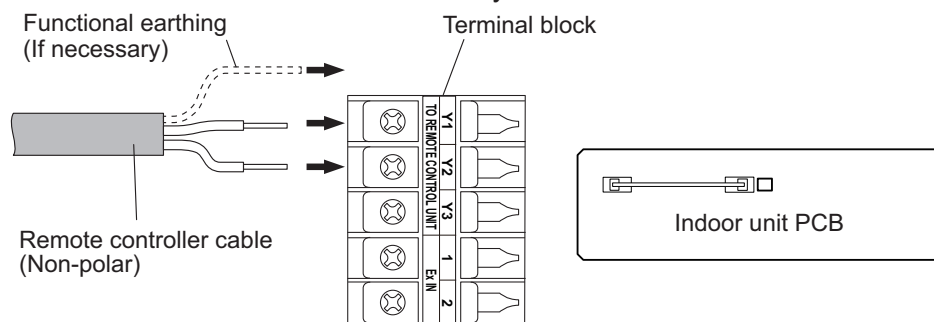
| | | |
|---------------------------|---|----------------------------|
| Display | 3.8-inch FSTN LCD (255 × 160 dots) with touch panel | |
| Dimensions (H × W × D) | mm | 120 × 120 × 20.4 |
| Weight | g | 220 |
| Input voltage | V | DC 12 |
| Power consumption | W | Max. 0.3 |
| Usage temperature range | °C | 0 to 40 |
| Usage humidity range | % | 20 to 90 (no condensation) |
| Storage temperature range | °C | -10 to 60 |
| Storage humidity range | % | 20 to 90 (no condensation) |

● Wiring specifications

| Use | Cable size | Wire type | Remarks |
|-------------------------|------------------------------|-----------------------------------|-------------------------|
| Remote controller cable | 0.33 to 1.25 mm ² | Non-polar 2-core, Twisted pair | Use sheathed PVC cable. |

■ Installation

Connect the end of remote controller cable directly to the exclusive terminal block.

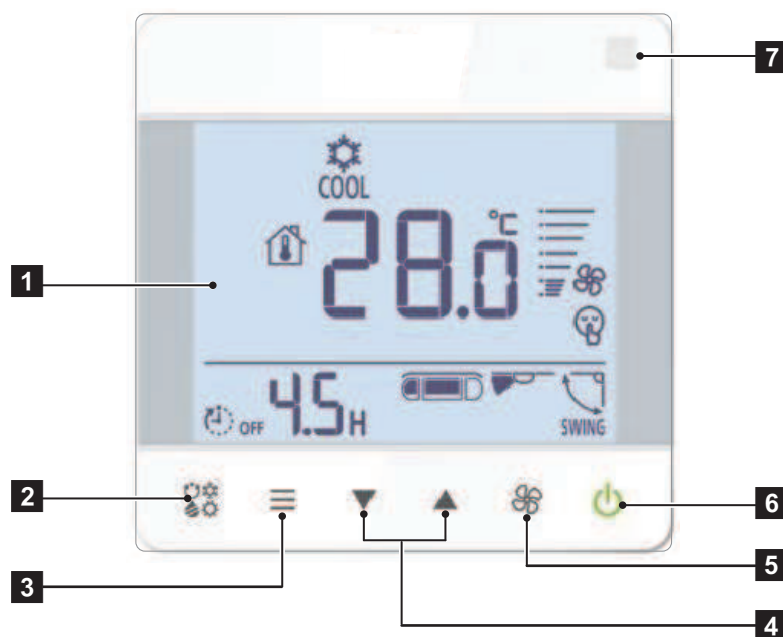


NOTES:

- Layout of terminal block and PCB is varies depending on the type of indoor unit.
- Operation may fail if it is connected to the outdoor unit or the terminal block for power supply.

14-11. Wired remote controller (UTY-RCRYZ1: Optional part)

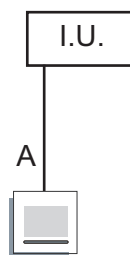
■ Overview



- 1** Display panel
- 2** MODE button
- 3** Menu button
- 4** ▼, ▲ buttons (Set temperature buttons)
- 5** FAN button
- 6** On/off button
- 7** Wireless remote controller signal receiving section

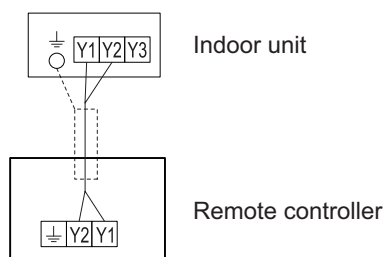
■ System diagrams

- Single remote control



Remote controller cable
A ≤ 500 m

■ Electrical wiring



■ Specifications

| | | |
|------------------|----|--------------|
| Unit: mm | | |
| | | |
| Size (H × W × D) | mm | 86 × 86 × 32 |
| Weight | g | 135 |

● Wiring specifications

| Use | Cable size | Wire type | Remarks |
|-------------------------|--|------------------|---------------------------------|
| Remote controller cable | 0.33 to 1.25 mm ² (22 to 16 AWG) | Non polar 2-core | Use sheathed twist pair cable.* |

*: Use shielded cable (locally purchased) in accordance with the regional cable standard.

■ Installation

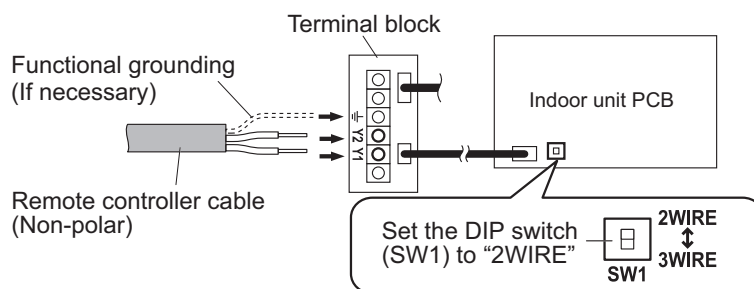
• Connection pattern

NOTE: Connection pattern is different according to type of Indoor unit.

| Indoor unit type | Connection pattern |
|--------------------|--------------------|
| All cassette type | Pattern A |
| All duct type | Pattern A |
| All ceiling type | Pattern A |
| Compact floor type | Pattern A |
| Wall mounted type | Pattern B |

• Pattern A

1. Connect the end of remote controller cable directly to the exclusive terminal block.
2. Set the DIP switch (SW1) to "2WIRE" on the PCB of the indoor unit.

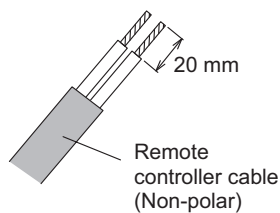


NOTES:

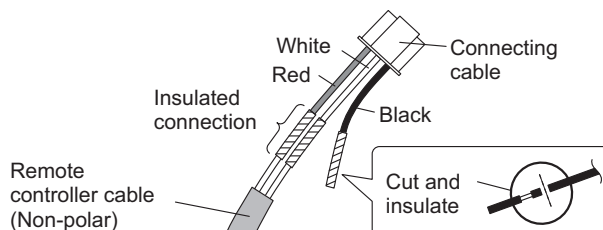
- Layout of terminal block and PCB is varies depending on the type of indoor unit.
- Operation may fail if it is connected to the outdoor unit or the terminal block for power supply.

- **Pattern B**

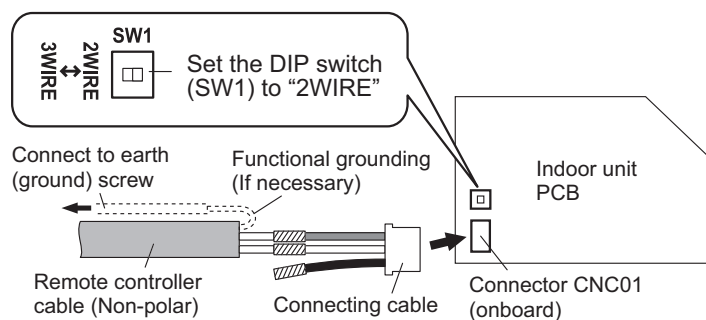
1. Use a tool to cut off the terminal on the end of the remote controller cable, and then remove the insulation from the cut end of the cable as shown below.



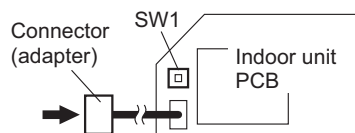
2. Connect the remote controller cable and connecting cable as shown below. Be sure to insulate the connection between the cables.



3. Connect the remote controller cable to the connecting cable, and insert it to the connector. Set the DIP switch (SW1) to "2WIRE" on the PCB of the indoor unit.

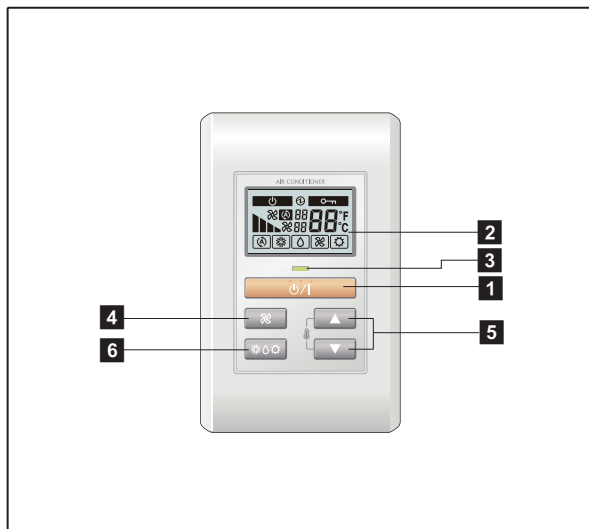


NOTE: Layout of terminal block and PCB is varies depending on the type of indoor unit.

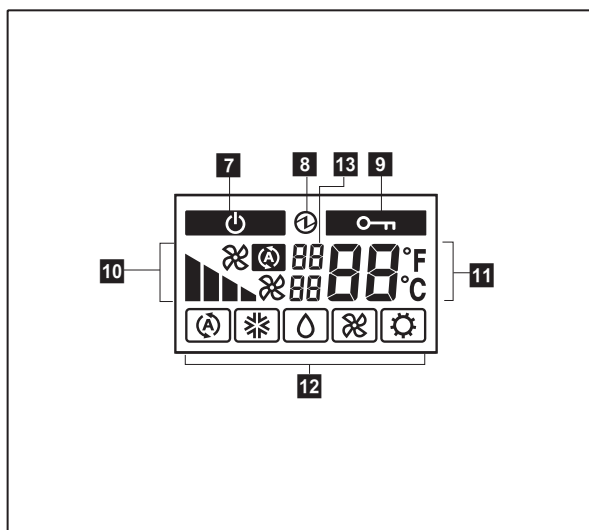


14-12. Simple remote controller (UTY-RSNYM: Optional part)

Overview



Display panel



1 START/STOP button

Starts and stops operation.






2 Display backlight button

Lights during operation.

3 Operation lamp

Lights during operation.






4 FAN button

Selects the fan speed (AUTO , HIGH , MED , LOW , and QUIET ).

5 SET TEMP. button

Selects the setting temperature.

6 MODE button

Selects the operating mode (AUTO , COOL , DRY , FAN , HEAT ).

7 Standby indicator

Indicates during the oil recovery and defrosting operation.

8 Power source indicator

Indicates the main power is on.

9 Central control indicator

Indicates when function is locked.

10 Fan speed indicator

Deletes the weekly timer schedule.

11 Set temperature

- Indicates error history number in error code history display mode.
- Indicates indoor unit address in address display mode.

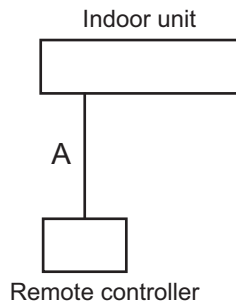
12 Operating mode indicator

13 Indicator

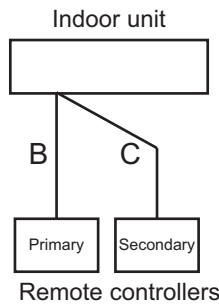
- Upper:
 - Indicates the error code in error code history display mode and in self diagnosis mode.
 - Indicates the refrigerant system address in address display mode.
- Lower: Indicates the remote controller address in error code history display mode, address display mode, and self diagnosis mode.

System diagram

1 remote controller:



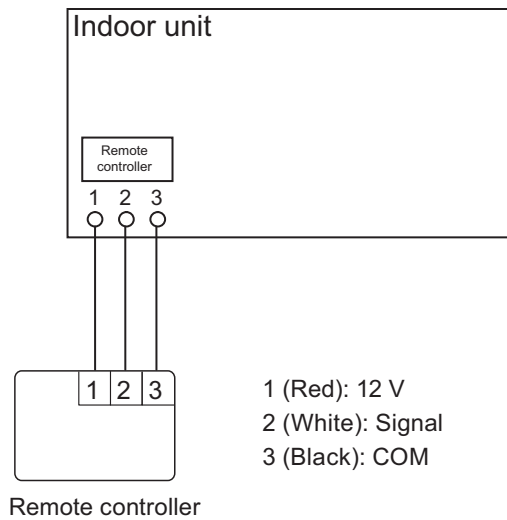
2 remote controllers:



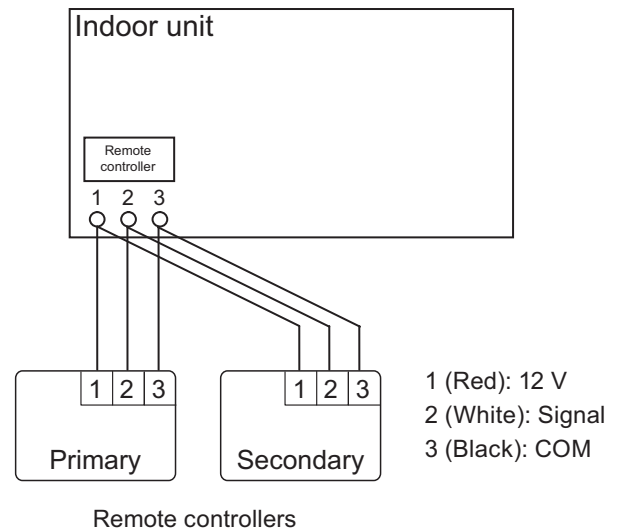
A, B, C: Remote controller cable
 $A \leq 500 \text{ m}; B + C \leq 500 \text{ m}$

Electrical wiring

1 remote controller:

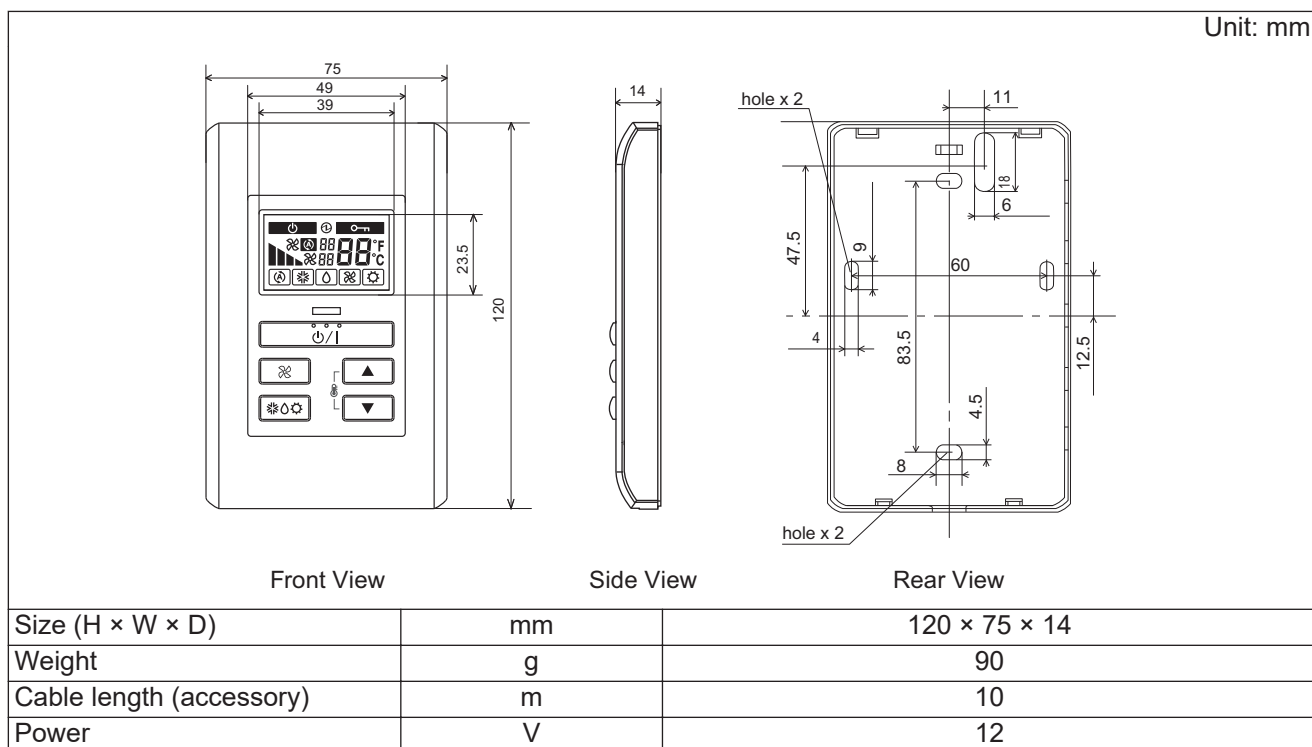


2 remote controllers:



■ Specifications

Dimensions and other specifications on the wired remote controller are as follows.



● Wiring specifications

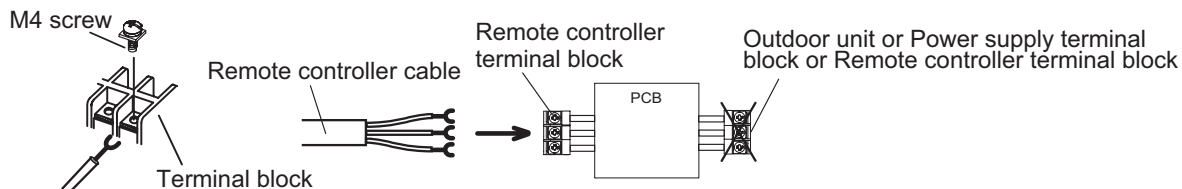
| Use | Size | Wire type | Remarks |
|-------------------------|----------------------|--------------|-------------------------|
| Remote controller cable | 0.33 mm ² | Polar 3 core | Use sheathed PVC cable. |

■ Installation

Connection pattern of wired remote controller varies by the type of the connected indoor unit.

● When connecting to terminal block (for Compact cassette, Slim duct, and Mini duct types)

Connect the end of remote controller cable directly to the exclusive terminal block.

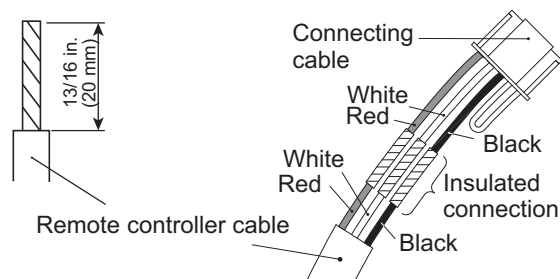


NOTE: It may be failed if it is connected to the outdoor unit or the terminal block for power supply.

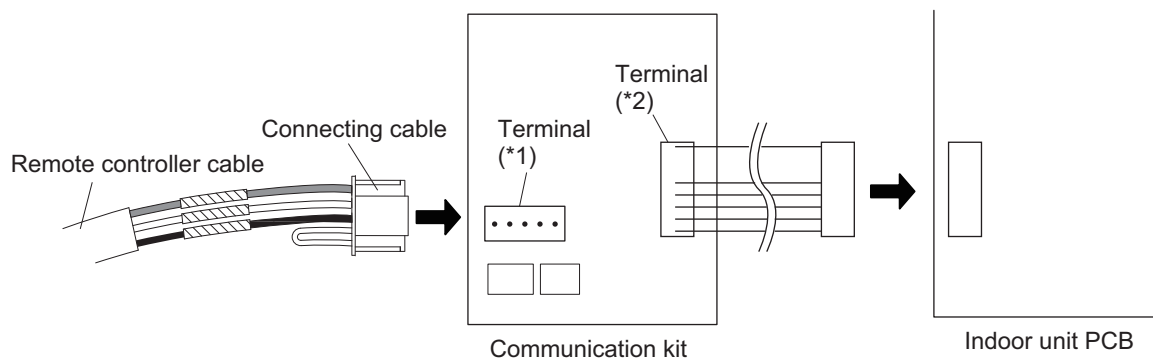
● When connecting to Communication Kit (for KM models in Wall mounted type)

When connecting the remote controller to optional Communication Kit, follow the procedures mentioned below.

1. Modify the remote controller cable as follows:
 - Use a tool to cut off the terminal on the end of the remote controller cable and then remove the insulation from the cut end of the cable as shown in following figure.
 - Connect the remote controller cable and connecting cable as shown in following figure.
 - Be sure to insulate the connection between the cables.



2. Connect the remote controller cable.
 - Connect the cable made in step 1. to the terminal*1 of optional Communication Kit.
 - Connect the cable from the terminal*2 of Communication Kit to the indoor unit PCB.



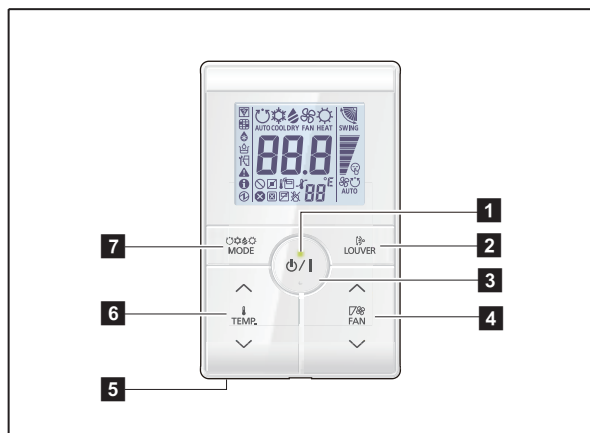
■ Required optional parts

Required optional parts for connecting the wired remote controller to the wall mounted type are as follows.

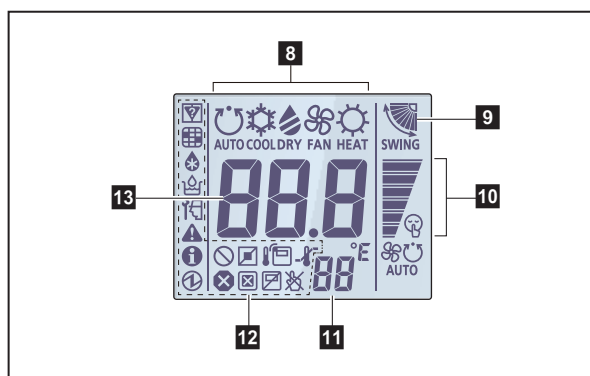
| Part name | Model name |
|----------------------|------------|
| External Connect Kit | UTY-TWBXF2 |
| Communication Kit | UTY-XWZXZ5 |

14-13. Simple remote controller (UTY-RSRY and UTY-RHRY: Optional parts)

Overview



Display panel



1: Available only for UTY-RSR.

*2: Not available for a heat pump model unless it is set up as an administrative indoor unit.

*3: Not available for a heat pump model.

*4: Not available for a cooling-only model.

*5: Set the function setting of the indoor unit accordingly.

*6: During address display mode.

1 LED lamp

Lights during operation.

2 Louver button

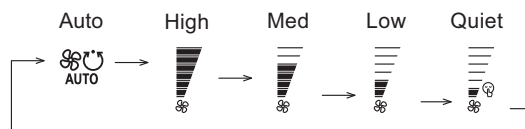
Adjusts the airflow direction.

3 START/STOP button

Starts and stops operation.

4 FAN control button

Switches the fan speed as follows:



5 Room temperature sensor (inside)

Senses ambient temperature of unit.

6 Set temperature button

Selects the setting temperature. (18—30 °C [COOL], 10—30 °C [HEAT])

7 Operation mode button*1

Switches the operation mode as follows:



8 Operating mode indicator

9 Airflow direction indicator

10 FAN speed indicator

11 Remote controller address indicator

12 Status icons

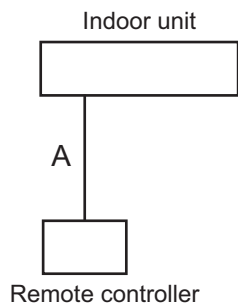
- Mode mismatch
- Filter sign *5
- Defrost operation
- Oil recovery operation
- Under maintenance
- Error
- Special state
- Conducting electricity
- Emergency stop
- Operation controlled
- Forced stop
- Remote controller sensor is enabled *5
- Central controlled
- Setting temperature range is enabled
- Operation prohibited

13 Set temperature

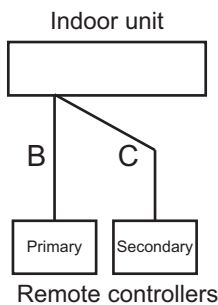
Indicates indoor unit address. *6

System diagram

1 remote controller:



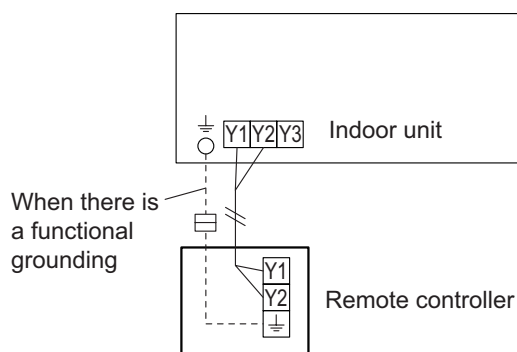
2 remote controllers:



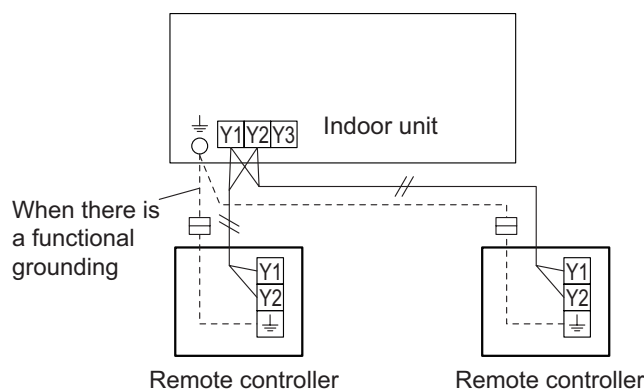
A, B, C: Remote controller cable
 $A \leq 500 \text{ m}; B + C \leq 500 \text{ m}$

Electrical wiring

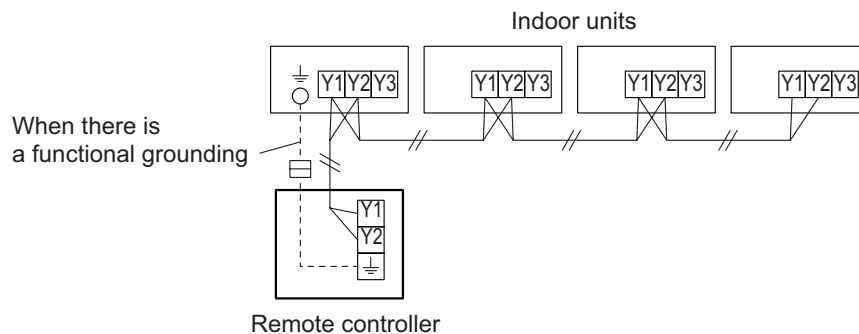
1 remote controller:



2 remote controllers:



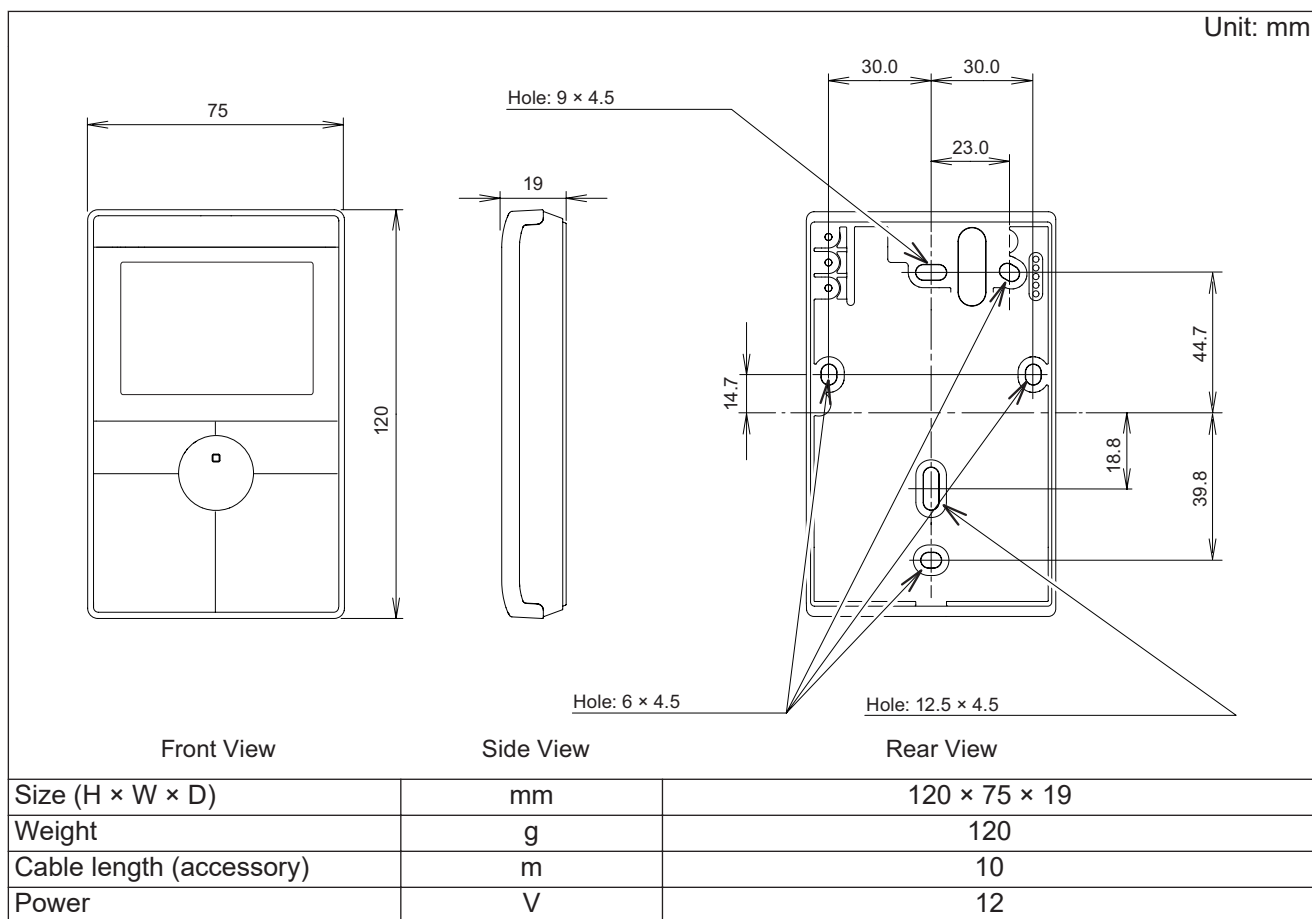
Group control:



NOTE: Group connection with Polar 3-wired remote controller is not allowed.

Specifications

Dimensions and other specifications on the wired remote controller are as follows.

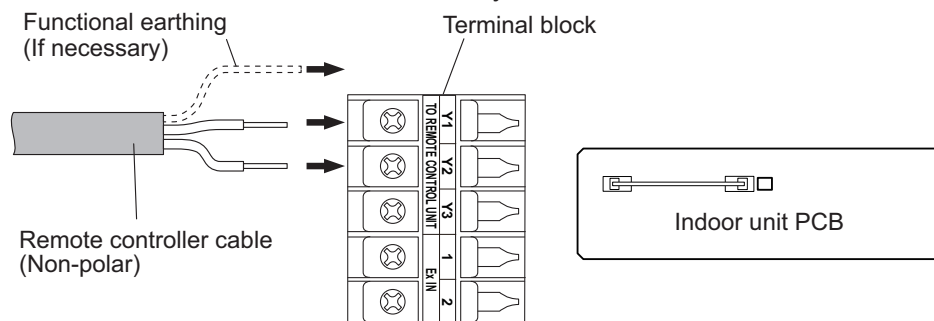


Wiring specifications

| Use | Cable size | Wire type | Remarks |
|-------------------------|------------------------------|-----------------------------------|-------------------------|
| Remote controller cable | 0.33 to 1.25 mm ² | Non-polar 2-core, Twisted pair | Use sheathed PVC cable. |

Installation

Connect the end of remote controller cable directly to the exclusive terminal block.



NOTES:

- Layout of terminal block and PCB is varies depending on the type of indoor unit.
- Operation may fail if it is connected to the outdoor unit or the terminal block for power supply.

15. Function settings

To adjust the functions of this product according to the installation environment, various types of function settings are available.

NOTE: Incorrect settings can cause a product malfunction.

15-1. Mini duct, Slim duct types indoor unit (setting by DIP switch)

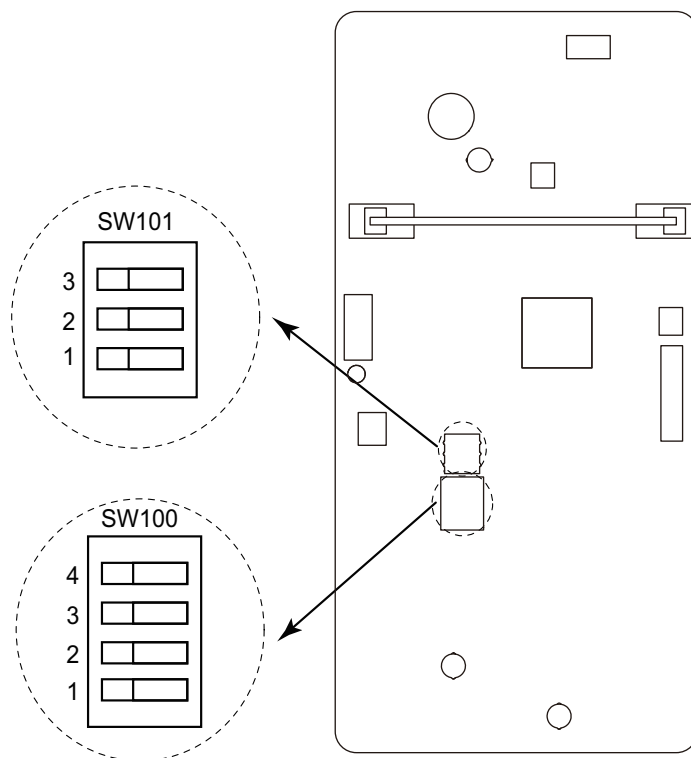
By using some components on the PCB, you can change the function settings.

Related components on the PCB and the applicable settings:

| Component | | Setting content |
|------------|-------|-----------------|
| DIP switch | SW100 | 1 |
| | | 2 |
| | | 3 |
| | | 4 |
| | SW101 | 1 |
| | | 2 |
| | | 3 |

■ Component location

Components on the indoor unit main PCB used for the function settings are located as shown in the following figure.



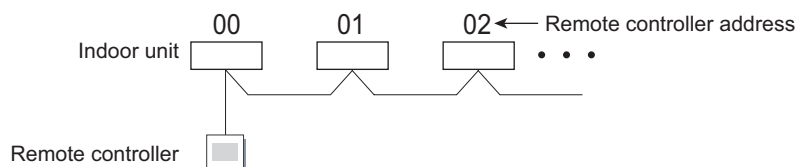
■ DIP switch setting

- **SW100: Remote controller address setting**

When operating a number of indoor units by using a wired remote controller, DIP switch setting for assigning unit number to each indoor unit is required.

The slide switches are normally set to make the unit number 00.

| Remote controller address | Switch number | | | | Factory setting |
|---------------------------|---------------|-----|-----|-----|-----------------|
| | 1 | 2 | 3 | 4 | |
| 00 | OFF | OFF | OFF | OFF | ◆ |
| 01 | ON | OFF | OFF | OFF | |
| 02 | OFF | ON | OFF | OFF | |
| 03 | ON | ON | OFF | OFF | |
| 04 | OFF | OFF | ON | OFF | |
| 05 | ON | OFF | ON | OFF | |
| 06 | OFF | ON | ON | OFF | |
| 07 | ON | ON | ON | OFF | |
| 08 | OFF | OFF | OFF | ON | |
| 09 | ON | OFF | OFF | ON | |
| 10 | OFF | ON | OFF | ON | |
| 11 | ON | ON | OFF | ON | |
| 12 | OFF | OFF | ON | ON | |
| 13 | ON | OFF | ON | ON | |
| 14 | OFF | ON | ON | ON | |
| 15 | ON | ON | ON | ON | |



- **SW101-Switch 1: Drainage function setting**

| Switch 1 | Drainage function | Factory setting |
|----------|-------------------|-----------------|
| ON | Disabled | |
| OFF | Enabled | ◆ |

- **SW101-Switch 2: Auto louver grille setting**

When Auto Louver Grille Kit (optional parts) is attached, set to "Enabled".

| Switch 2 | Auto louver grille setting | Factory setting |
|----------|----------------------------|-----------------|
| ON | Enabled | |
| OFF | Disabled | ◆ |

- **SW101-Switch 3: Fan delay setting**

When the indoor unit is stopped while operating in conjunction with auxiliary heater, the indoor unit fan operation will continue for 1 minute.

| Switch 3 | Fan delay | Factory setting |
|----------|-----------|-----------------|
| ON | Enabled | |
| OFF | Disabled | ◆ |

15-2. Medium static pressure duct type (ARXH22KMTAP)

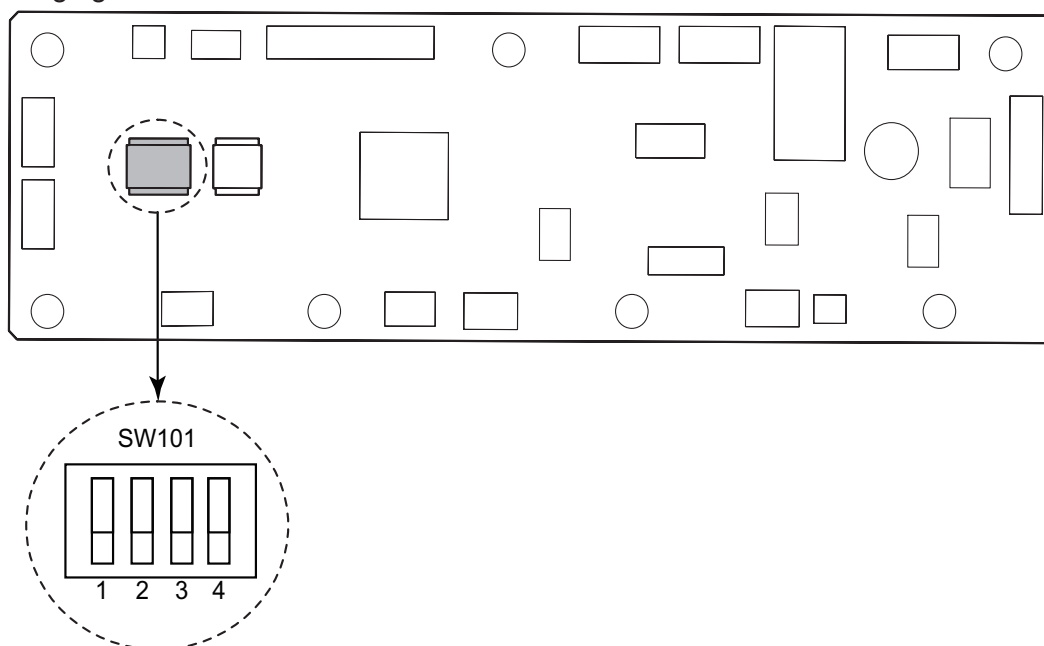
By using some components on the PCB, you can change the function settings.

Related components on the PCB and the applicable settings

| Component | | Setting content |
|---------------|---|---------------------------|
| DIP switch101 | 1 | Drainage function setting |
| | 2 | Setting change prohibited |
| | 3 | Fan delay setting |
| | 4 | Setting change prohibited |

● Component location

Components on the indoor unit main PCB used for the function settings are located as shown in the following figure.



● DIP switch setting

- **Switch 1: Drainage function setting (SW101)**

| Switch 1 | Drainage function | Factory setting |
|----------|-------------------|-----------------|
| ON | Disabled | |
| OFF | Enabled | ◆ |

- **Switch 2: Setting change prohibited (SW101)**

- **Switch 3: Fan delay setting (SW101)**

When the indoor unit is stopped while operating in conjunction with auxiliary heater, the indoor unit fan operation will continue for 1 minute.

| Switch 3 | Fan delay | Factory setting |
|----------|-----------|-----------------|
| ON | Enabled | |
| OFF | Disabled | ◆ |

- **Switch 4: Setting change prohibited (SW101)**

15-3. Indoor unit (setting by wireless remote controller)

CAUTION

This setting changes the function settings used to control the indoor unit according to the installation conditions. Incorrect settings can cause a product malfunction.

- After the power is turned on, perform the “Function setting” according to the installation conditions using the remote controller.
- The settings may be selected between the following two: Function number or Setting number.
- Settings will not be changed if invalid numbers or setting numbers are selected.

■ Preparation

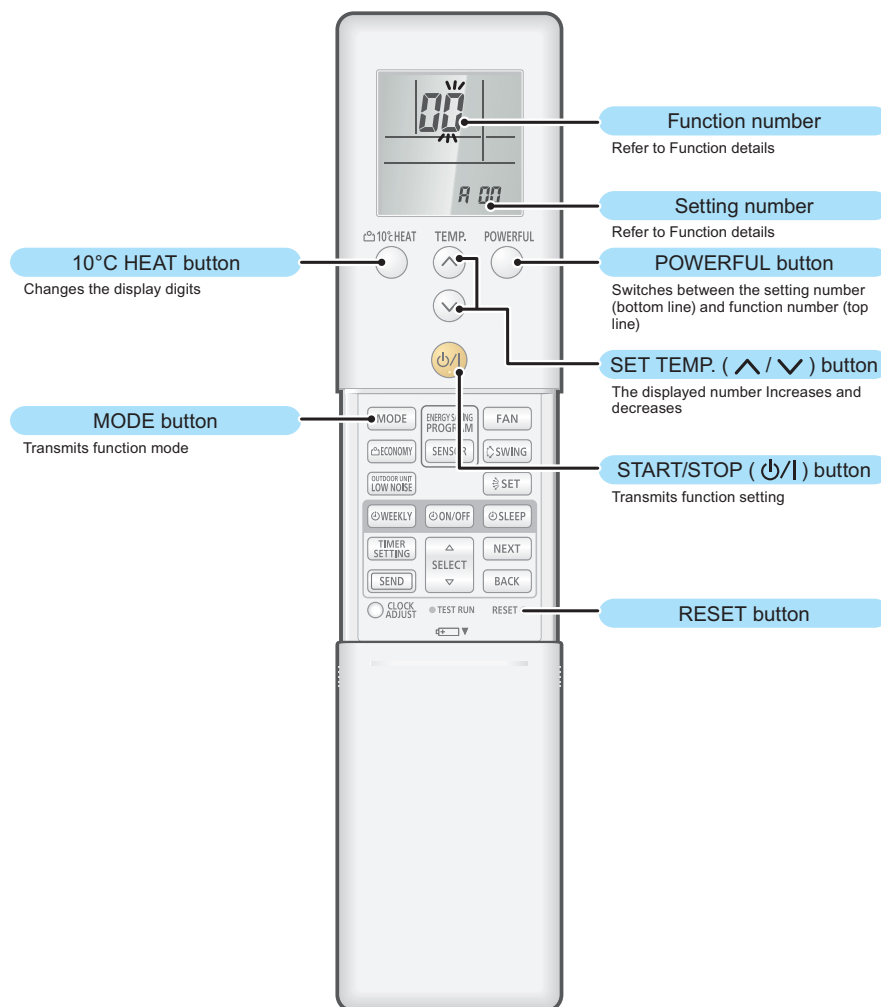
Before connecting the power supply of the indoor unit, reconfirm following items:

- Piping air tightness test and vacuuming have been performed firmly.
- There is no wiring mistake. Then, connect the power supply of the indoor unit.

- AR-REM4E (for Wall mounted type KGTEB), AR-REW3E (for Wall mounted type KGTE and KGTF), AR-REW4E (for Wall mounted type KETA[-B], KETE[-B], and KETF[-B]), AR-REW2E (for Wall mounted type KMTB and KMTE), and AR-REM7E (for Floor type)

● Button name and function

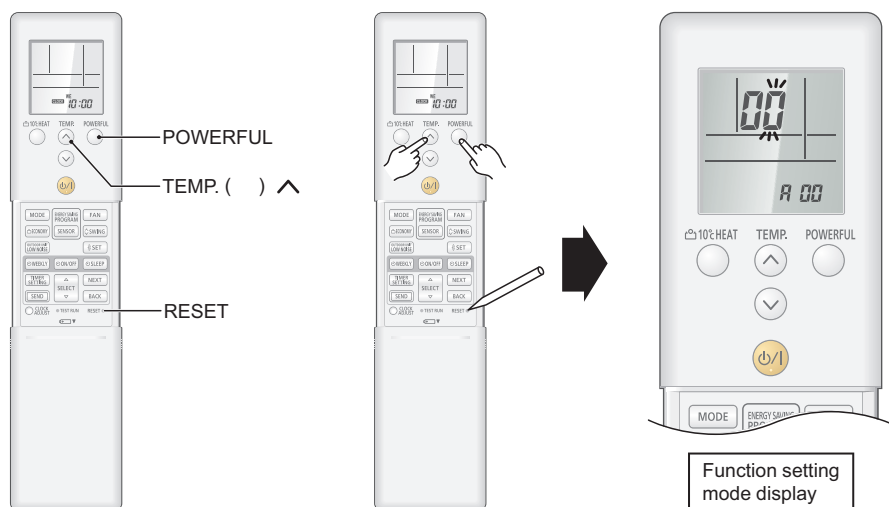
During address setting mode, indoor unit reject the any operation command from remote controller.



NOTE: The number of buttons varies by the remote controller model.

● Function setting procedure

1. Connect the power supply of the outdoor unit.
2. To enter the function setting mode, while holding down the POWERFUL and TEMP. ^ button, press the RESET button.



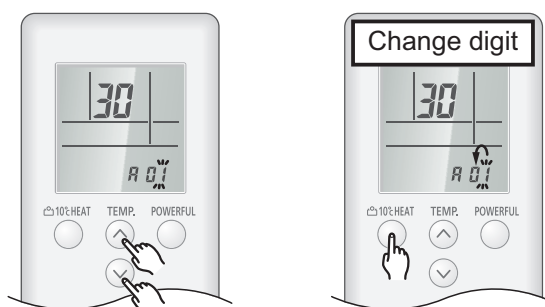
3. Select the function number by pressing the ^ or the v buttons. Each time the 10 °C HEAT button is pressed, it switches between the right digit and the left digit.



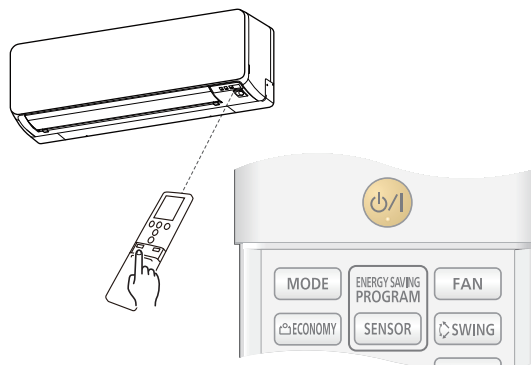
4. Proceed to the setting number by pressing the POWERFUL button. (To return to the function number selection, press the POWERFUL button again.)



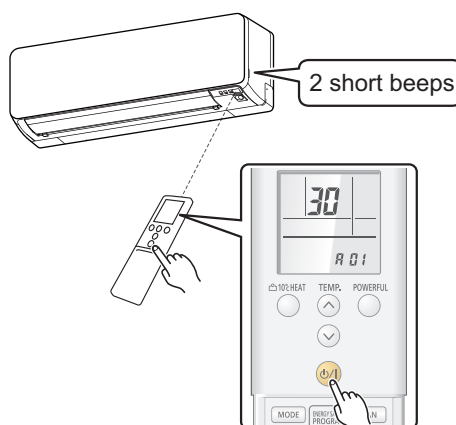
5. Select the function number by pressing the ^ or the v button. Each time the 10 °C HEAT button is pressed, it switches between the right digit and the left digit.



6. Press the MODE button once to transmit the function mode information.



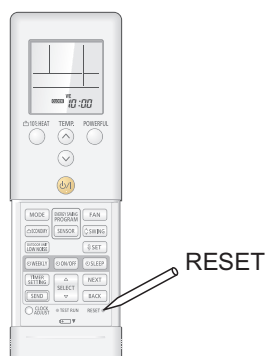
7. Press the $\phi/1$ button once to transmit the function setting information. 2 short beeps will be emitted from the indoor unit when the signal is received correctly. If wrong code is set, no beep sound will be emitted.



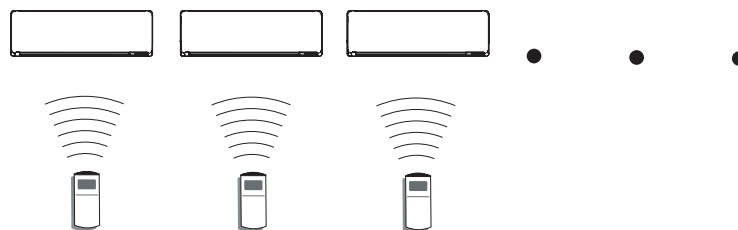
NOTE: Press $\phi/1$ button within 30 seconds after pressing MODE button.

For the function details, refer to Chapter 15-6. "[Function details](#)" on page 335.

8. Exit the function setting mode by pressing the RESET button.



● Setting up each indoor unit



Repeat step from 1. to 8. to set up each indoor unit. If the custom code is other than "R", steps from 1. to 2. and 8. need to be performed.

● Resetting the power after setting up all indoor units

Important:

- If the reset is not performed, function cannot be read correctly.
- After all the functions have been set, the circuit breaker needs to be switched off for at least 2 minutes.
 - After the 2 minutes has passed, power can be restored.
 - The set function is stored in the PCB and will remain in memory even when the power of indoor unit is turned off.
However setting function is effective after disconnecting the power supply and then reconnecting it.
- Record the latest configuration of the indoor unit function setting on a label, and put the label on the unit so it can be used for after-sales service operations.

Once the RESET button is pressed on the remote controller, the operation mode will be set to the AUTO MODE.

Adjust the operation mode to either cooling or heating before starting the operation of the air conditioner.

NOTE: If custom code other than "F" is set, the remote control must be set accordingly to the indoor unit setting.

● Remote controller custom code setting

Custom code setting of wireless remote controller needs to be same as the setting of the indoor unit. When you change the custom code setting of the wireless remote controller, do as follows:

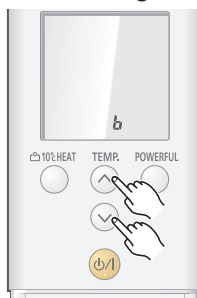
1. Press the START/STOP button until only the clock is displayed on the display.



2. Press the MODE button for at least 5 seconds to display the current custom code (initially set to A).



3. Press the TEMP. “ ^ ” or the “ v ” button to change the custom code between A → b → c → d.



4. Press the MODE button again to return to the clock display. The custom code will be changed.

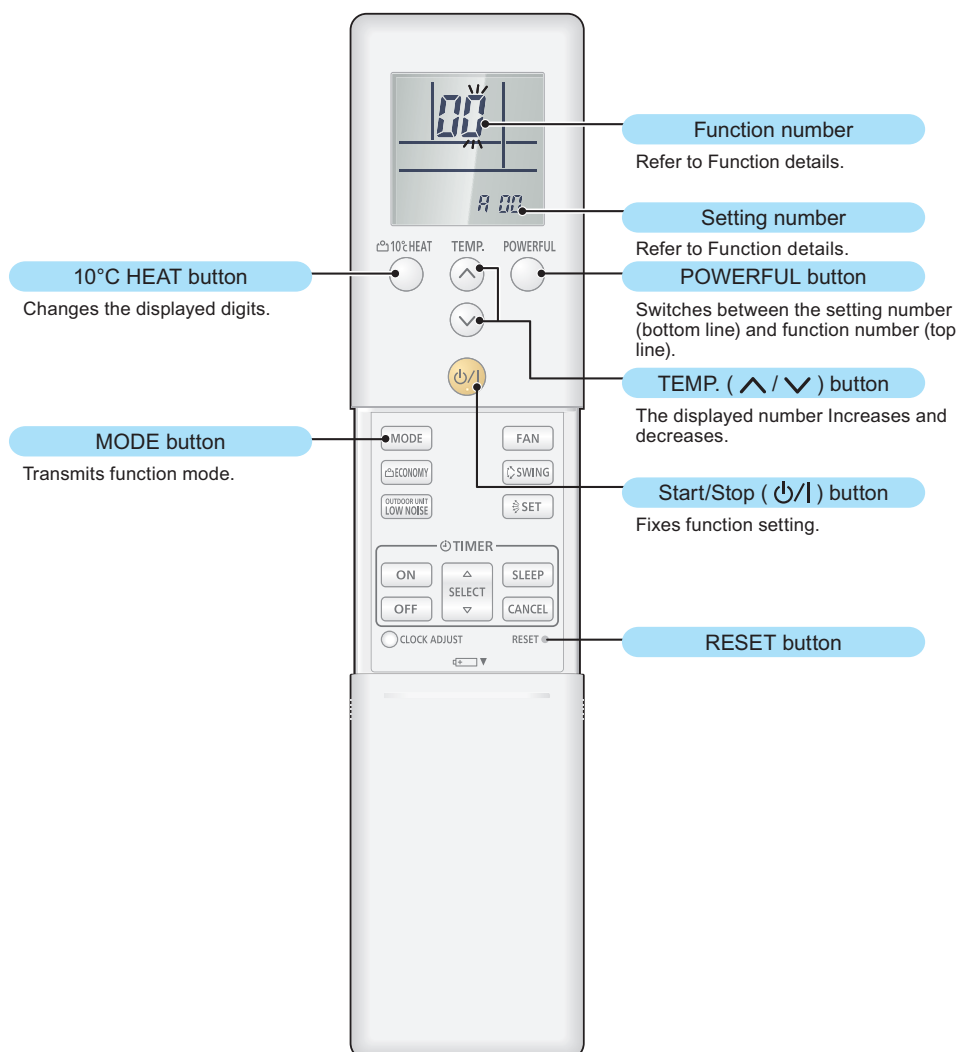


- If no buttons are pressed within 30 seconds after the custom code is displayed, the system returns to the original clock display. In this case, start again from step 1.
- The air conditioner custom code is set to A prior to shipment.
- If you do not know the air conditioner custom code setting, try each of the custom codes (A → b → c → d) until you find the code which operates the air conditioner.

■ AR-REB1E (for Wall mounted type KMCC) and AR-RMB1E (for Wall mounted type KMCE and KMCF)

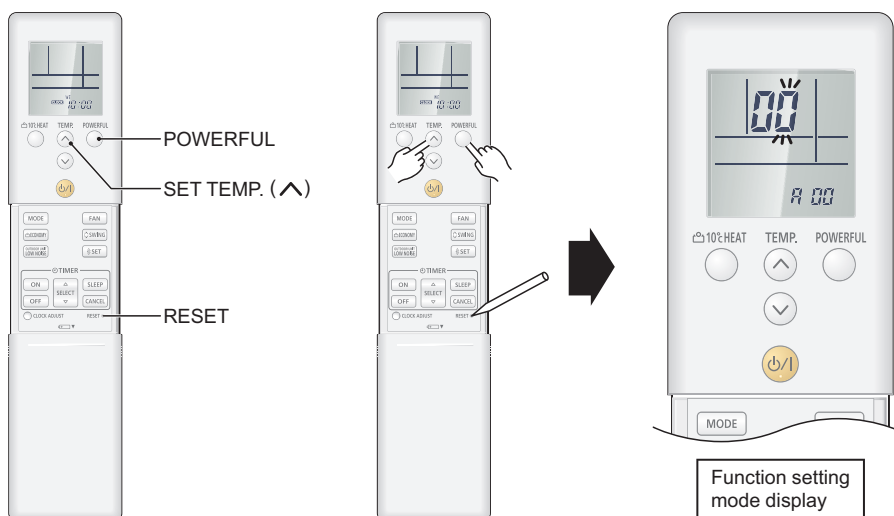
● Button name and function

During address setting mode, indoor unit reject the any operation command from remote controller.



● Function setting procedure

1. Connect the power supply of the outdoor unit.
2. To enter the function setting mode, while holding down the POWERFUL and SET TEMP. \wedge buttons, press the RESET button.



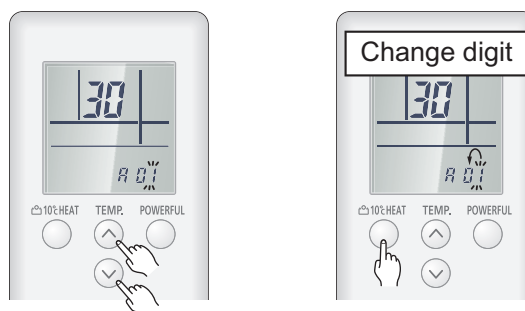
3. Select the function number by pressing the \wedge or the \vee buttons. Each time the 10°C HEAT button is pressed, it switches between the right digit and the left digit.



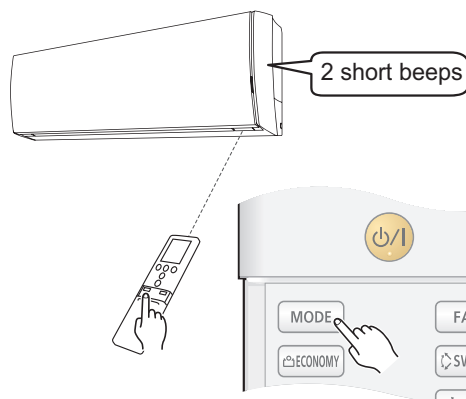
4. Proceed to the setting number by pressing the POWERFUL button. (To return to the function number selection, press the POWERFUL button again.)



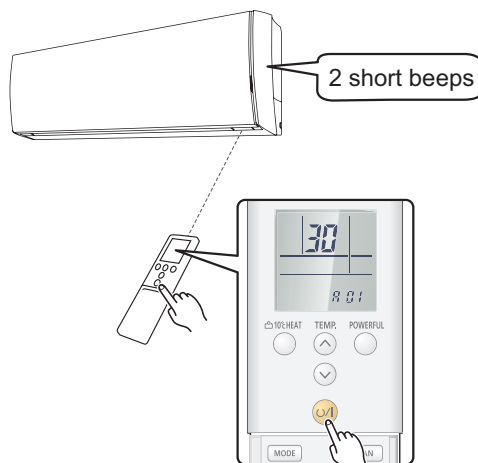
5. Select the function number by pressing the \wedge or the \vee button. Each time the 10°C HEAT button is pressed, it switches between the right digit and the left digit.



- Press the MODE button once to transmit the function mode information.



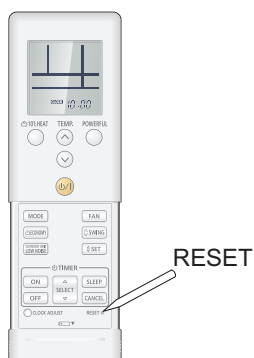
- Press the $\phi/|$ button once to transmit the function setting information. 2 short beeps will be emitted from the indoor unit when the signal is received correctly. If wrong code is set, no beep sound will be emitted.



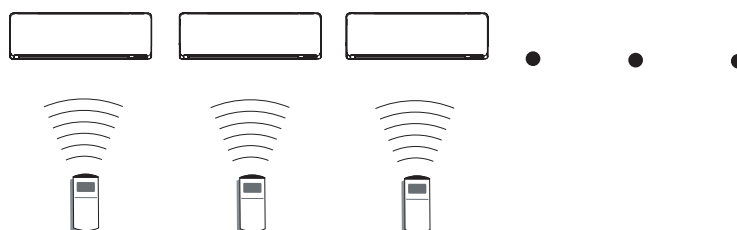
NOTE: Press $\phi/|$ button within 30 seconds after pressing MODE button.

For the function details, refer to Chapter 15-6. "[Function details](#)" on page 335.

- Exit the function setting mode by pressing the RESET button.



● Setting up each indoor unit



Repeat step from 1. to 8. to set up each indoor unit. If the custom code is other than "A", steps from 1. to 2. and 8. need to be performed.

● Resetting the power after setting up all indoor units

Important:

- If the reset is not performed, function cannot be read correctly.
- After all the functions have been set, the circuit breaker needs to be switched off for at least 2 minutes.
 - After the 2 minutes has passed, power can be restored.
 - The set function is stored in the PCB and will remain in memory even when the power of indoor unit is turned off.
However setting function is effective after disconnecting the power supply and then reconnecting it.
- Record the latest configuration of the indoor unit function setting on a label, and put the label on the unit so it can be used for after-sales service operations.

Once the RESET button is pressed on the remote controller, the operation mode will be set to the AUTO MODE.

Adjust the operation mode to either cooling or heating before starting the operation of the air conditioner.

NOTE: If custom code other than "F" is set, the remote control must be set accordingly to the indoor unit setting.

● Remote controller custom code setting

Custom code setting of wireless remote controller needs to be same as the setting of the indoor unit. When you change the custom code setting of the wireless remote controller, do as follows:

1. Press the START/STOP button until only the clock is displayed on the display.



2. Press the MODE button for at least 5 seconds to display the current custom code (initially set to A).



3. Press the SET TEMP. “ ^ ” or the “ v ” button to change the custom code between A → b → c → d.



4. Press the MODE button again to return to the clock display. The custom code will be changed.

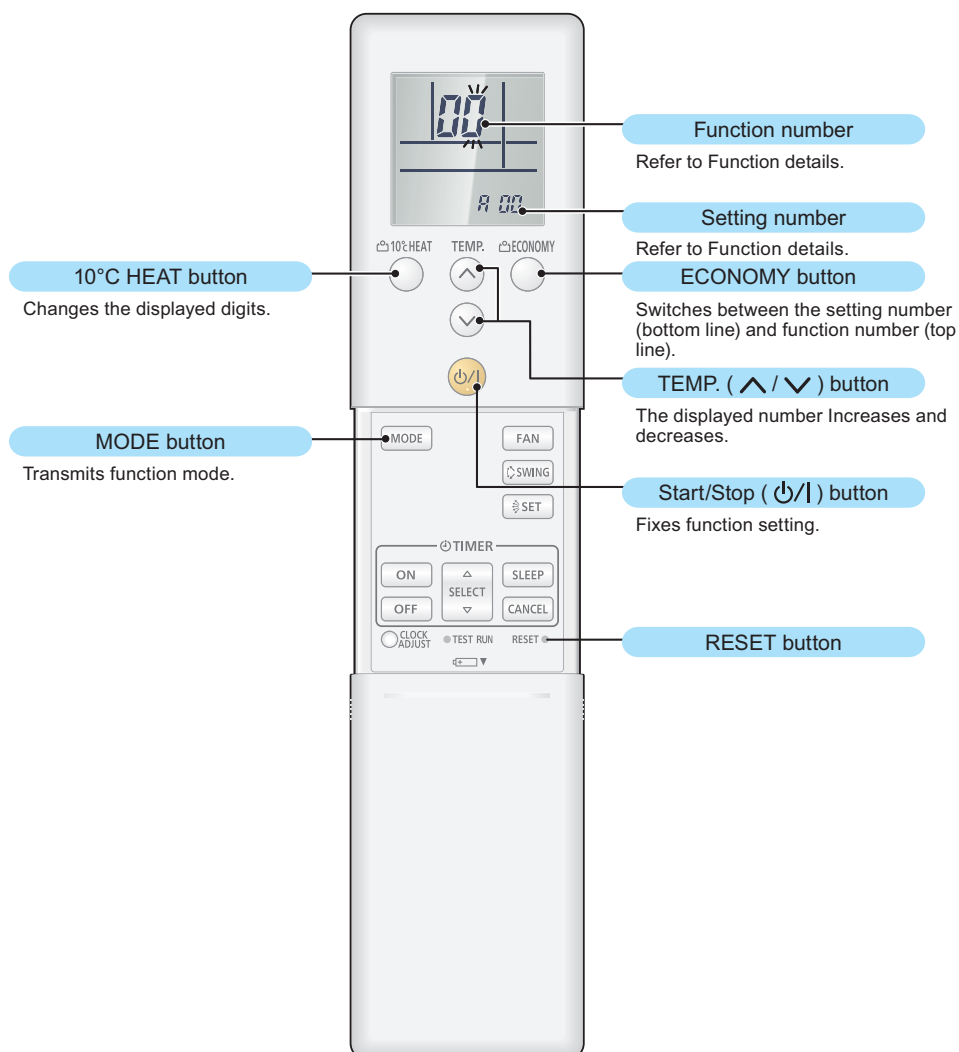


- If no buttons are pressed within 30 seconds after the custom code is displayed, the system returns to the original clock display. In this case, start again from step 1.
- The air conditioner custom code is set to A prior to shipment.
- If you do not know the air conditioner custom code setting, try each of the custom codes (A → b → c → d) until you find the code which operates the air conditioner.

■ UTY-LNTY (for Compact cassette type) or AR-REJ1E (included in UTY-LBTYM for Duct type, UTY-LBTYH for Ceiling type)

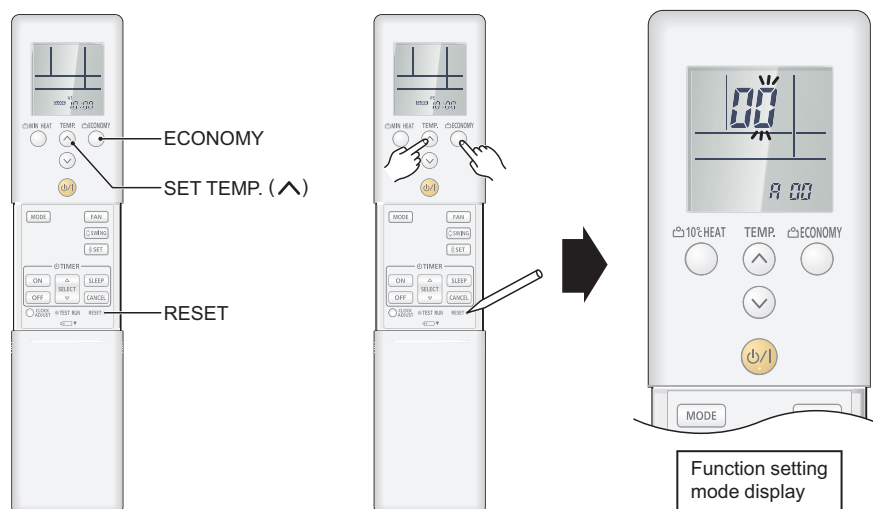
● Button name and function

During address setting mode, indoor unit reject the any operation command from remote controller.



● Function setting procedure

1. Connect the power supply of the outdoor unit.
2. To enter the function setting mode, while holding down the ECONOMY and SET TEMP. (^) buttons, press the RESET button.



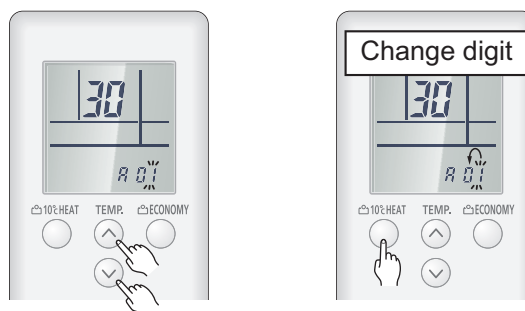
3. Select the function number by pressing the \wedge or the \vee buttons. Each time the 10°C HEAT button is pressed, it switches between the right digit and the left digit.



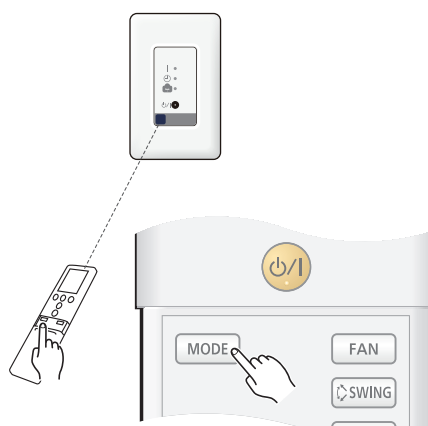
4. Proceed to the setting number by pressing the ECONOMY button. (To return to the function number selection, press the ECONOMY button again.)



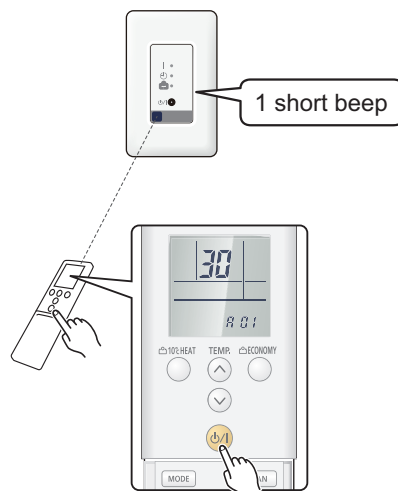
5. Select the function number by pressing the \wedge or the \vee button. Each time the 10°C HEAT button is pressed, it switches between the right digit and the left digit.



6. Press the MODE button once to transmit the function mode information.



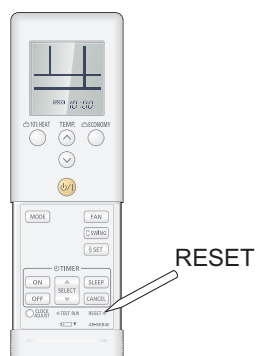
7. Press the $\phi/|$ button once to transmit the function setting information. 1 short beep will be emitted from the indoor unit or the IR receiver when the signal is received correctly. If wrong code is set, no beep sound will be emitted.



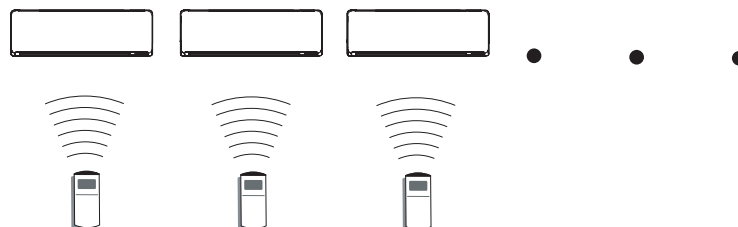
NOTE: Press $\phi/|$ button within 30 seconds after pressing MODE button.

For the function details, refer to Chapter 15-6. "[Function details](#)" on page 335.

8. Exit the function setting mode by pressing the RESET button.



● Setting up each indoor unit



Repeat step from 1. to 8. to set up each indoor unit. If the custom code is other than "A", steps from 1. to 2. and 8. need to be performed.

● Resetting the power after setting up all indoor units

Important:

- If the reset is not performed, function cannot be read correctly.
- After all the functions have been set, the circuit breaker needs to be switched off for at least 2 minutes.
 - After the 2 minutes has passed, power can be restored.
 - The set function is stored in the PCB and will remain in memory even when the power of indoor unit is turned off. However setting function is effective after disconnecting the power supply and then reconnecting it.
- Record the latest configuration of the indoor unit function setting on a label, and put the label on the unit so it can be used for after-sales service operations.

Once the RESET button is pressed on the remote controller, the operation mode will be set to the AUTO MODE.

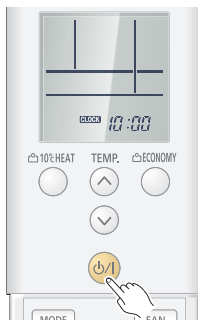
Adjust the operation mode to either cooling or heating before starting the operation of the air conditioner.

NOTE: If custom code other than "A" is set, the remote control must be set accordingly to the indoor unit setting.

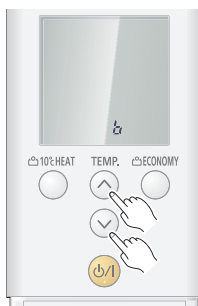
● Remote controller custom code setting

Custom code setting of wireless remote controller needs to be same as the setting of the indoor unit. When you change the custom code setting of the wireless remote controller, do as follows:

1. Press the START/STOP button until only the clock is displayed on the display.



2. Press the MODE button for at least 5 seconds to display the current custom code (initially set to A).
3. Press the SET TEMP. “ ^ ” or the “ v ” button to change the custom code between $A \rightarrow b \rightarrow c \rightarrow d$.



4. Press the MODE button again to return to the clock display. The custom code will be changed.



- If no buttons are pressed within 30 seconds after the custom code is displayed, the system returns to the original clock display. In this case, start again from step 1.
- The air conditioner custom code is set to A prior to shipment.
- If you do not know the air conditioner custom code setting, try each of the custom codes ($A \rightarrow b \rightarrow c \rightarrow d$) until you find the code which operates the air conditioner.

15-4. Indoor unit (setting by wired remote controller)

- The function settings of the control of the indoor unit can be changed by this procedure according to the installation conditions. Incorrect settings can cause the indoor unit malfunction.
- After the power is turned on, perform the “Function setting” according to the installation conditions using the remote controller.
- The settings may be selected between the following two: Function number or Setting number.
- Settings will not be changed if invalid numbers or setting numbers are selected.
- This function cannot be used on the secondary units.

■ Preparation

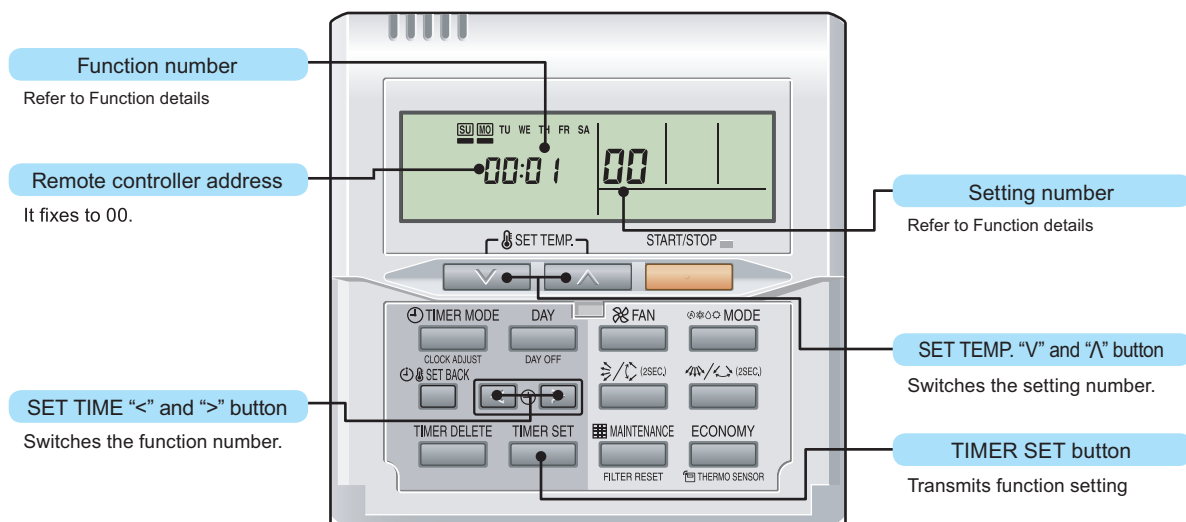
Before connecting the power supply of the indoor unit, reconfirm following items:

- Piping air tightness test and vacuuming have been performed firmly.
- There is no wiring mistake. Then, connect the power supply of the indoor unit.

■ UTY-RNNYM

● Button name and function

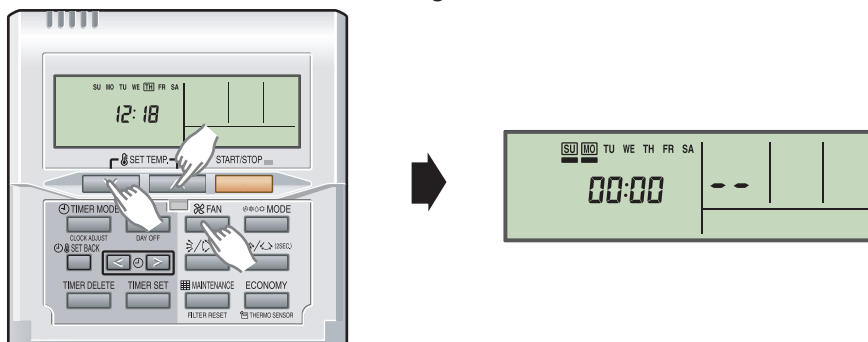
During address setting mode, indoor unit reject the any operation command from remote controller.



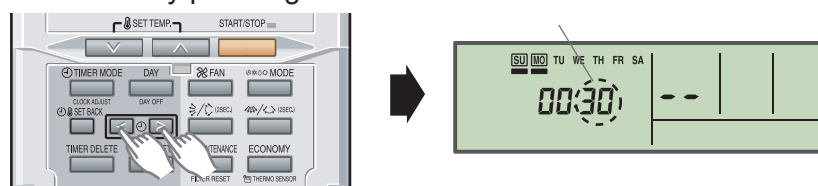
● Function setting procedure

1. Connect the power supply of the outdoor unit.
2. Switch to the function setting mode.

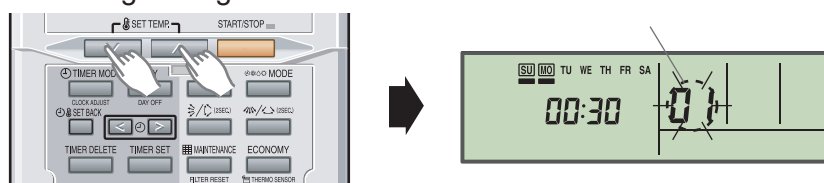
To enter the function setting mode, hold down the 3 buttons of SET TEMP. ∇ , SET TEMP. \wedge , and FAN at the same time for 5 seconds or longer.



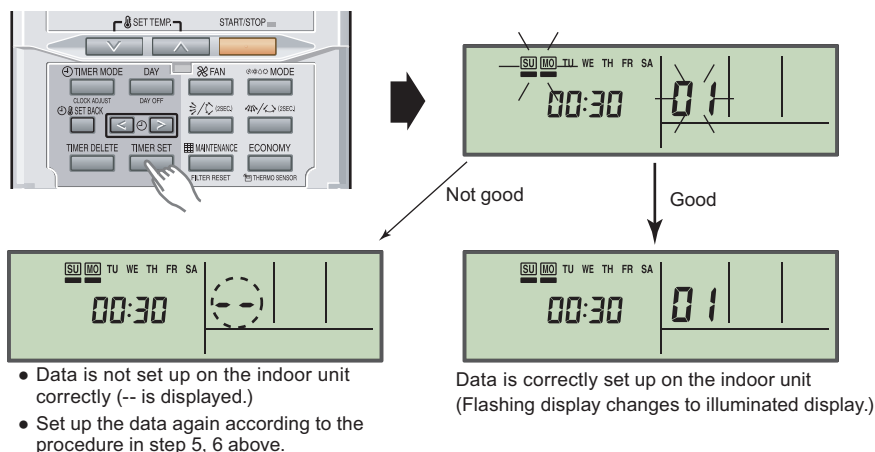
3. Select the function number by pressing the SET TIME < or the SET TIME > button.



4. Select the setting number by pressing the SET TEMP. \wedge or the SET TEMP. ∇ button. The display flashes during setting number selection.

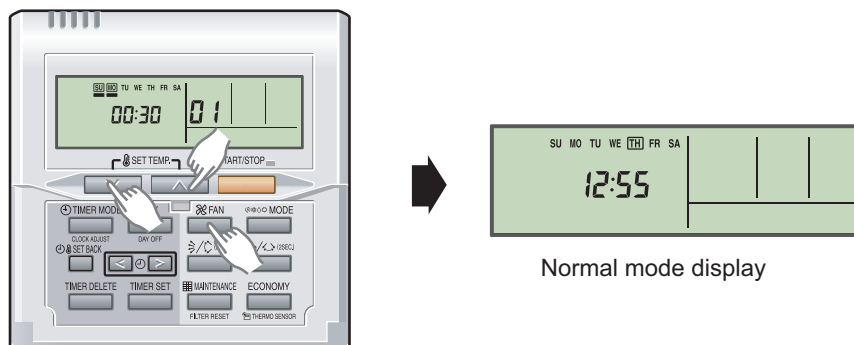


5. Confirm the setting by pressing the **TIMER SET** button.
The data will be transferred to the indoor unit.



Function details: Refer to Chapter 15-6. "[Function details](#)" on page 335.

6. Exit the function setting mode by holding 3 buttons of **SET TEMP.** ∇ , **SET TEMP.** \wedge and **FAN** at the same time.



If no button is pressed within 60 seconds after buttons mentioned above are pressed, it will automatically exit the function setting mode.

If you exit the function setting mode unintentionally during setting, enter the mode again according to the procedure in step 2.

● Setting up each indoor unit

Repeat the procedures from step 1 to 6, and set up the indoor units requiring function setting.

● Resetting the power after setting up function of all indoor units

NOTES:

- If the reset is not performed, function cannot be read correctly.
- After all the functions have been set, the circuit breaker needs to be switched off for at least 2 minutes.
 - After the 2 minutes has passed, power can be restored.
 - The set function is stored in the PCB and will remain in memory even when the power of indoor unit is turned off.
However setting function is effective after disconnecting the power supply and then reconnecting it.
- Record the latest configuration of the indoor unit function setting on a label, and put the label on the unit so it can be used for after-sales service operations.

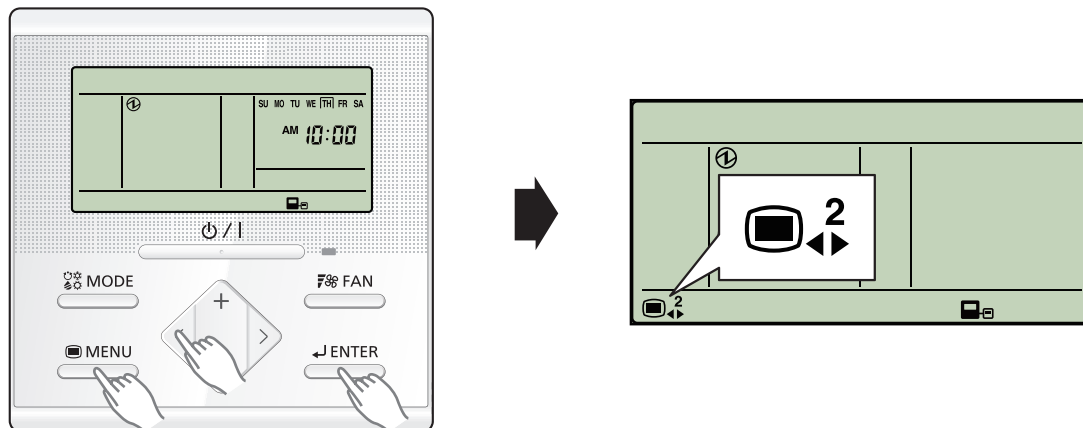
■ UTY-RLRY

● Setting procedure by using wired remote controller

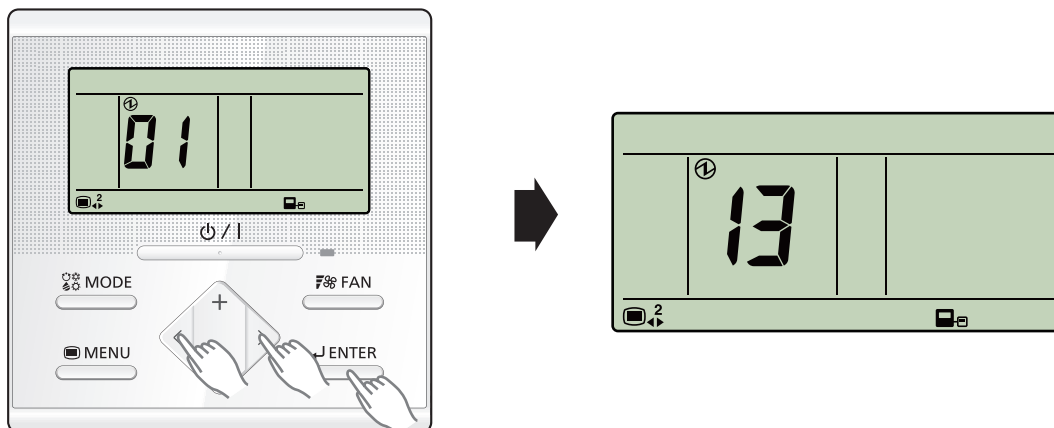
The function number and the associated setting value are displayed on the LCD of the remote controller. Follow the instructions written in the local setup procedure supplied with the remote controller, and select appropriate setting according to the installation environment.

Before connecting the power supply of the indoor unit, reconfirm following items:

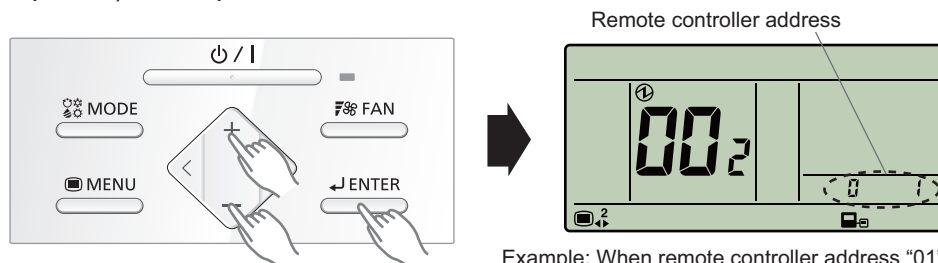
- Piping air tightness test and vacuuming have been performed firmly.
 - There is no wiring mistake.
1. Connect the power supply.
 2. To activate the address setting mode, hold down the three buttons of "MENU", "<", and "ENTER" at the same time for 2 seconds or longer. Menu 2 setting screen is displayed.



3. Select the "13" in Menu 2 settings. Then press the "ENTER" button.

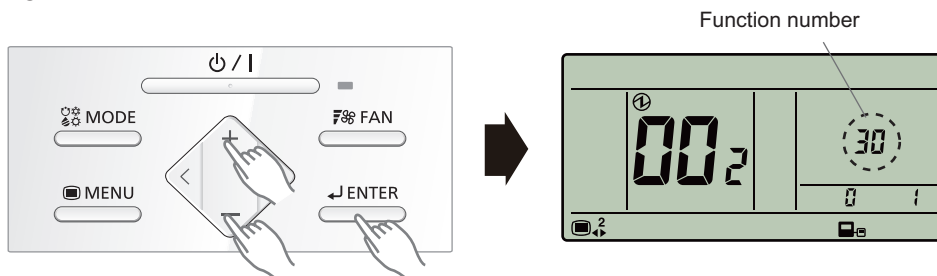


4. Pressing the "+" or "-" button, select a remote controller address (select the indoor unit you want to operate). Then press the "ENTER" button.

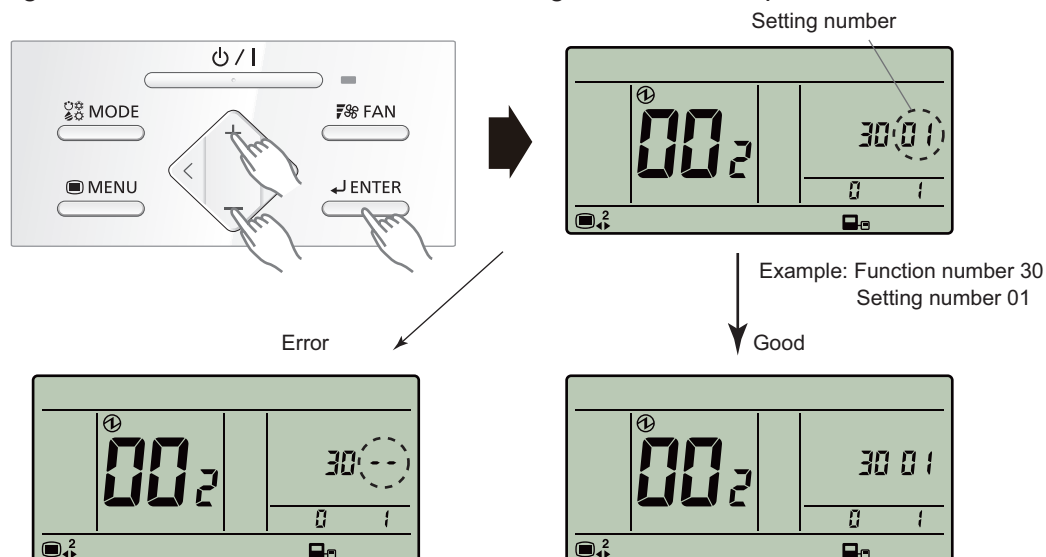


Example: When remote controller address "01" is selected.

5. Pressing the "+" or "-" button, to select the function number. Then press the "ENTER" button.



6. Pressing the "+" or "-" button, to select the setting number. Then press the "ENTER" button.



• When the data was not set up on the indoor unit (" --" is displayed.)

• Set up the data again.

• When the data was normally set up on the indoor unit.

Pressing the "ENTER" button to return to the address selection screen.

If setting has been completed, pressing the "MENU" button to return to the Menu 2 item selection screen.

● Setting up each indoor unit

Repeat the procedure from step 1 to 6, and set up the indoor units requiring function setting.

● Resetting the power after setting up function of all indoor units

NOTES:

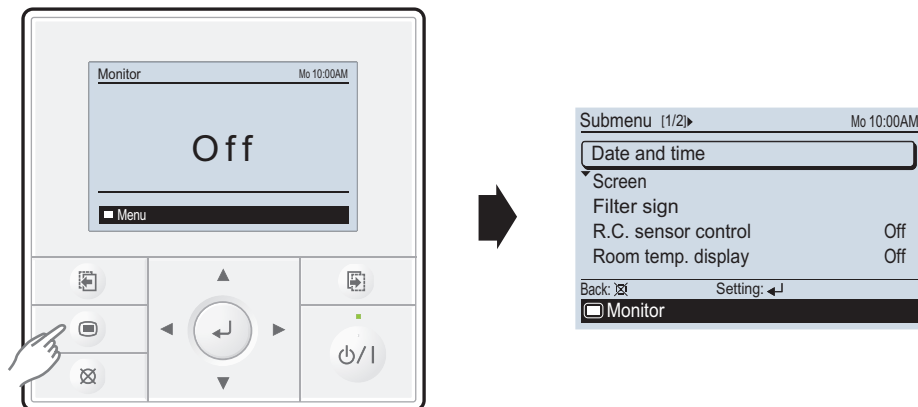
- If the reset is not performed, function cannot be read correctly.
- After all the functions have been set, the circuit breaker needs to be switched off for at least 2 minutes.
 - After the 2 minutes has passed, power can be restored.
 - The set function is stored in the PCB and will remain in memory even when the power of indoor unit is turned off. However setting function is effective after disconnecting the power supply and then reconnecting it.
- Record the latest configuration of the indoor unit function setting on a label, and put the label on the unit so it can be used for after-sales service operations.

■ UTY-RVNYM

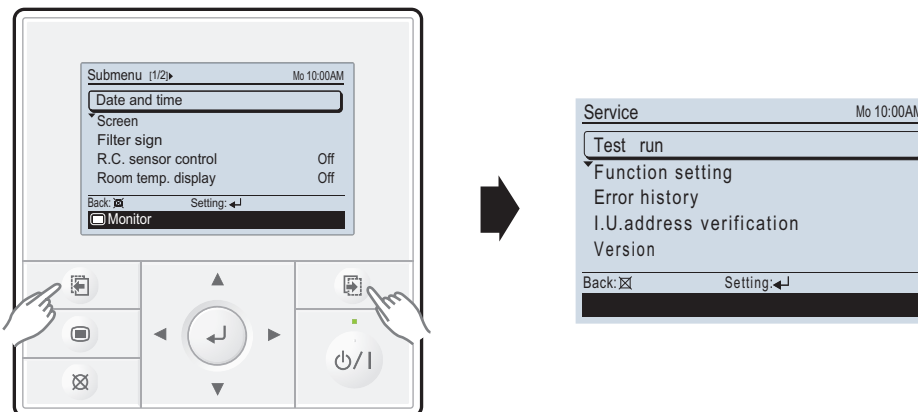
● Function setting procedure

1. Connect the power supply of the outdoor unit.
2. Switch to the function setting mode.

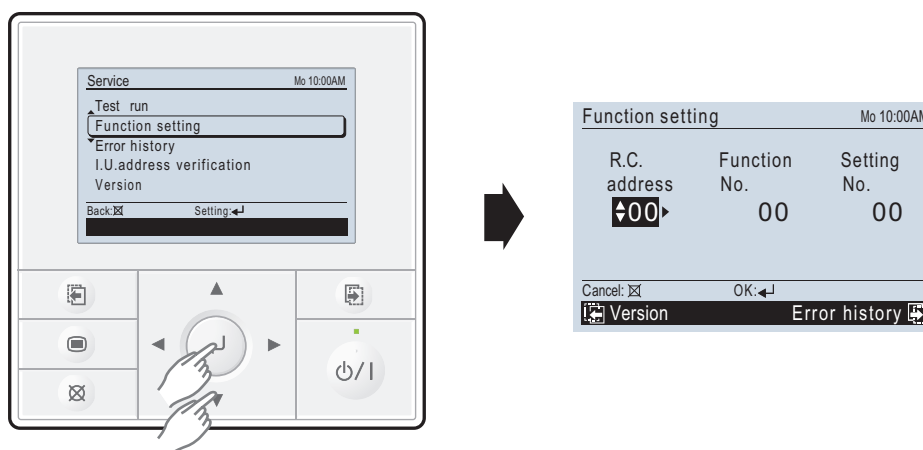
When [Menu button] is pressed twice while “Monitor” screen is displayed, it switches to the “Submenu” screen. If [Menu button] is pressed while the “Submenu” screen is displayed, the display returns to the “Monitor” screen.



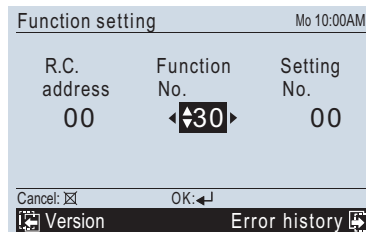
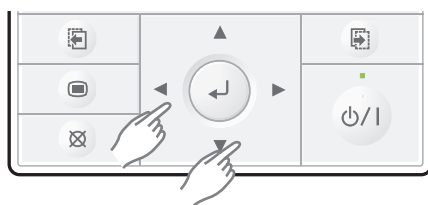
Press the [Screen switch button (Left)] and [Screen switch button (Right)] simultaneously for 5 seconds to switch to “Service” screen.



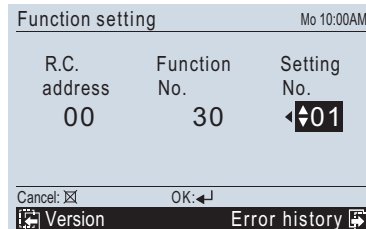
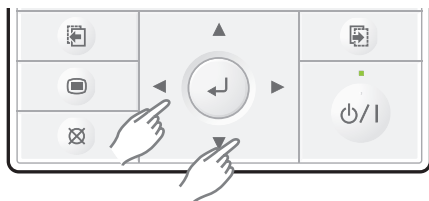
Select [Function setting] with pressing the [Cursor button (Up/Down)], and press the [Enter button].



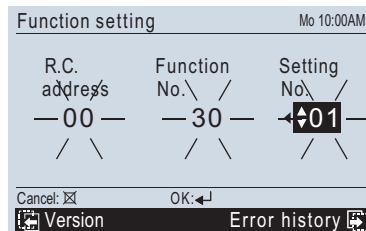
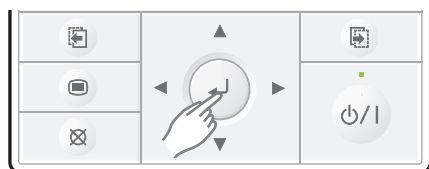
3. Select the [Function No.] with pressing the [Cursor button (Left/Right)], and select the Function No. to be set with pressing the [Cursor button (Up/Down)].



4. Select the [Setting No.] with pressing the [Cursor button (Left/Right)], and select the Setting No. to be set with pressing the [Cursor button (Up/Down)].

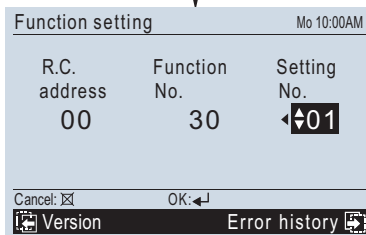
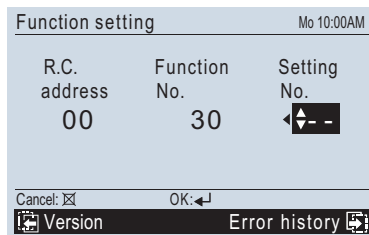


5. Pressing the [Enter button], confirm the setting. The data will be transferred to the indoor unit.



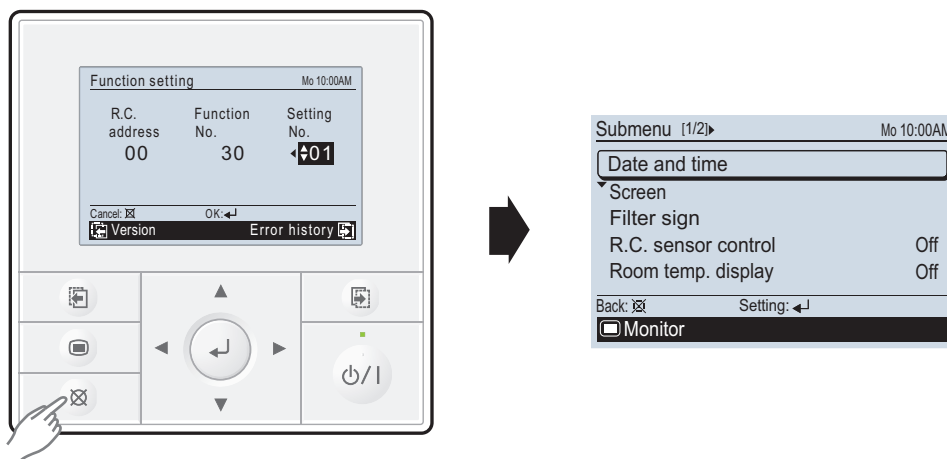
Error

Good



Function details: Refer to Chapter 15-6. "Function details" on page 335.

6. When [Cancel button] is pressed twice while “Function setting” screen is displayed, it switches to the “Submenu” screen.



If no button is pressed within 60 seconds after buttons mentioned above are pressed, it will automatically exit the function setting mode.

If you exit the function setting mode unintentionally during setting, enter the mode again according to the procedure in step 2.

● Setting up each indoor unit

Repeat the procedures from step 1 to 6, and set up the indoor units requiring function setting.

● Resetting the power after setting up function of all indoor units

NOTES:

- If the reset is not performed, function cannot be read correctly.
- After all the functions have been set, the circuit breaker needs to be switched off for at least 2 minutes.
 - After the 2 minutes has passed, power can be restored.
 - The set function is stored in the PCB and will remain in memory even when the power of indoor unit is turned off.

However setting function is effective after disconnecting the power supply and then reconnecting it.
- Record the latest configuration of the indoor unit function setting on a label, and put the label on the unit so it can be used for after-sales service operations.

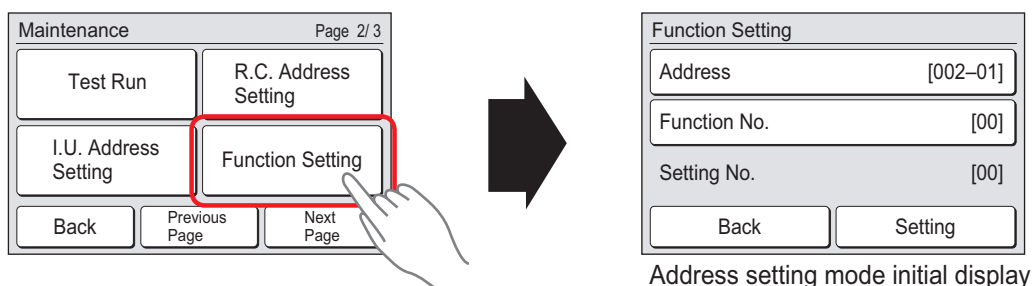
■ UTY-RNRYZ*

● Setting procedure by using wired remote controller

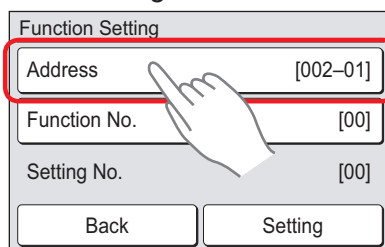
The function number and the associated setting value are displayed on the LCD of the remote controller. Follow the instructions written in the local setup procedure supplied with the remote controller, and select appropriate setting according to the installation environment.

Before connecting the power supply of the indoor unit, reconfirm following items:

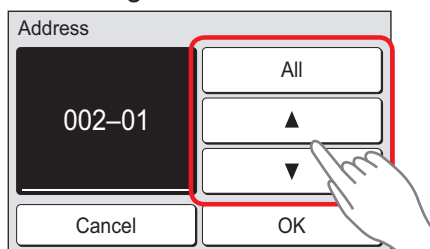
- Piping air tightness test and vacuuming have been performed firmly.
 - There is no wiring mistake.
1. Connect the power supply.
 2. When the “Function Setting” on the “Maintenance” screen is touched, the “Installer Password Verification” screen is displayed. After enter the installer password, and touch the “OK”, “Function Setting” screen is displayed.



3. Touch the “Address” on the “Function Setting” screen.

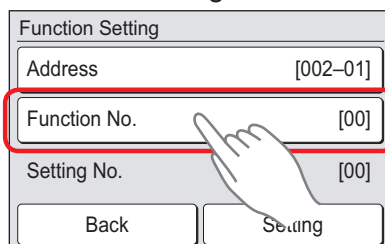


4. “Address” screen is displayed. Select the address of the indoor unit whose function number is to be set by touching ▲ or ▼. When setting at all the indoor units, touch “All”.

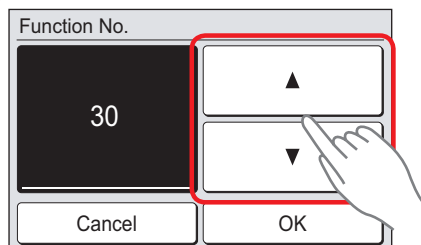


When the “OK” is touched, the display returns to the “Function Setting” screen.

5. Touch the “Function No.” on the “Function Setting” screen.

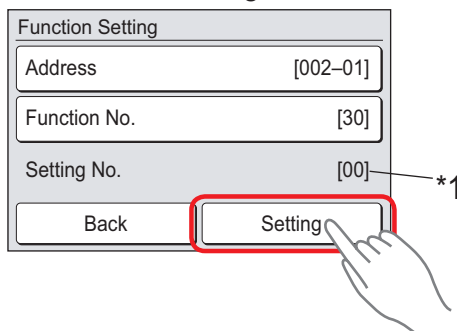


6. "Function No." screen is displayed. Set the "Function No." with ▲ or ▼.



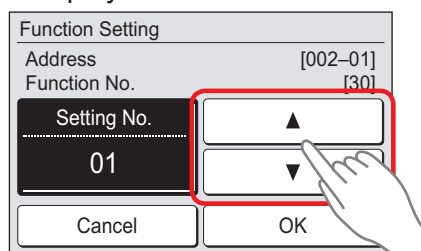
When the "OK" is touched, the display returns to the "Function Setting" screen.

7. Touch the "Function No." on the "Function Setting" screen.



NOTE: *1: When "All" is chosen by "5", and different set up "Setting No." from two or more indoor units, "-" is displayed on "Setting No.".

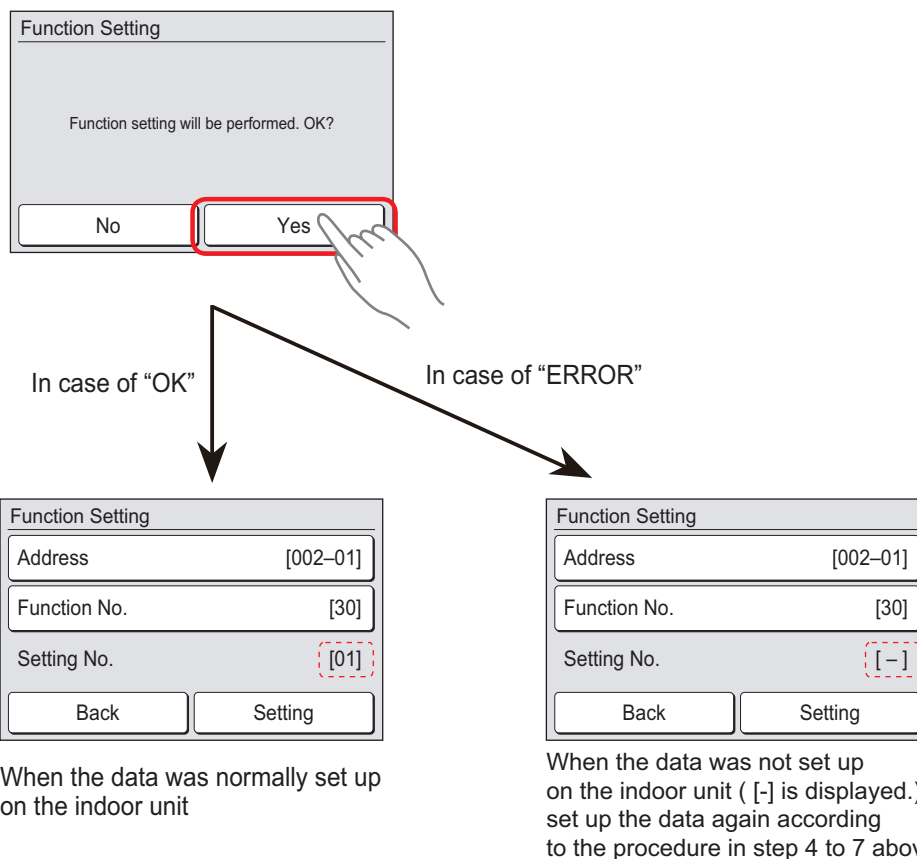
8. Setting screen of "Setting No." is displayed. Set the "Function No." with ▲ or ▼.



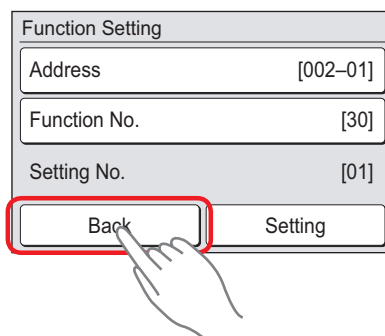
Example: Function number: 30, Setting Number: 01

When the "OK" is touched, the "Function Setting" verification screen is displayed.

9. Touch the "Yes" of the verification screen.



10. When the "Back" on the "Function Setting" screen is touched, the display returns to the "Maintenance" screen.



● Setting up each indoor unit

Repeat the procedure from step 1 to 6, and set up the indoor units requiring function setting.

● Resetting the power after setting up function of all indoor units

NOTES:

- If the reset is not performed, function cannot be read correctly.
- After all the functions have been set, the circuit breaker needs to be switched off for at least 2 minutes.
 - After the 2 minutes has passed, power can be restored.
 - The set function is stored in the PCB and will remain in memory even when the power of indoor unit is turned off. However setting function is effective after disconnecting the power supply and then reconnecting it.
- Record the latest configuration of the indoor unit function setting on a label, and put the label on the unit so it can be used for after-sales service operations.

15-5. Indoor unit (setting by simple remote controller)

- The function settings of the control of the indoor unit can be changed by this procedure according to the installation conditions. Incorrect settings can cause the indoor unit malfunction.
- After the power is turned on, perform the “Function setting” according to the installation conditions using the remote controller.
- The settings may be selected between the following two: Function number or Setting number.
- Settings will not be changed if invalid numbers or setting numbers are selected.
- This function cannot be used on the secondary units.

■ Preparation

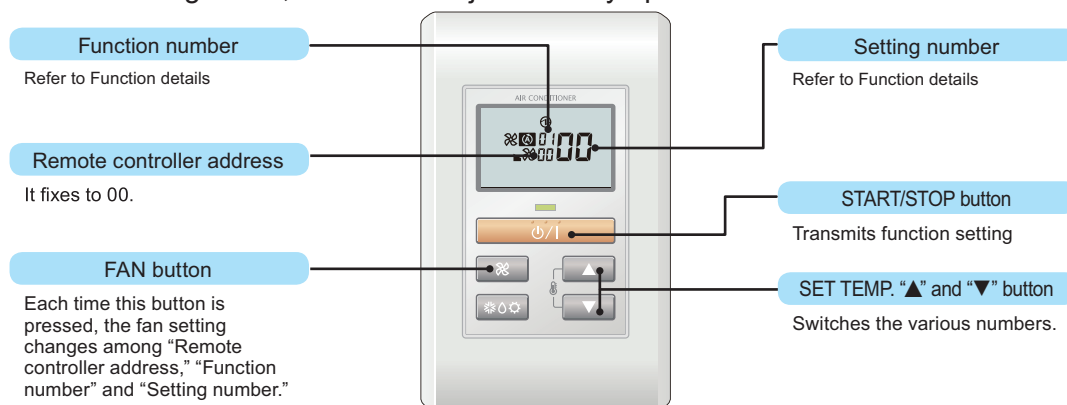
Before connecting the power supply of the indoor unit, reconfirm following items:

- Piping air tightness test and vacuuming have been performed firmly.
- There is no wiring mistake. Then, connect the power supply of the indoor unit.

■ UTY-RSNYM

● Button name and function

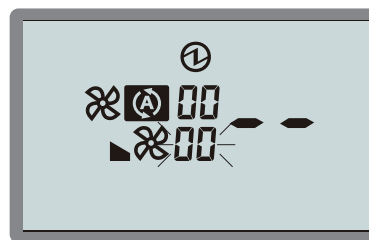
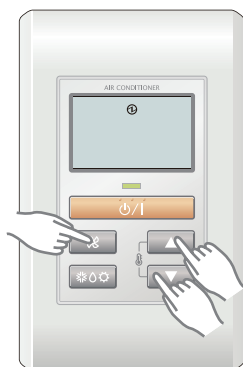
During address setting mode, indoor unit reject the any operation command from remote controller.



● Function setting procedure

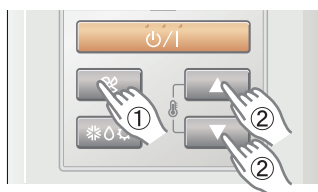
1. Connect the power supply of the outdoor unit.
2. Switch to the function setting mode.

To enter the function setting mode, hold down the 3 buttons of SET TEMP. ▲, SET TEMP. ▼ and FAN at the same time for 5 seconds or longer.

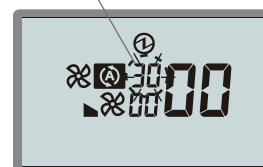


Function setting mode initial display

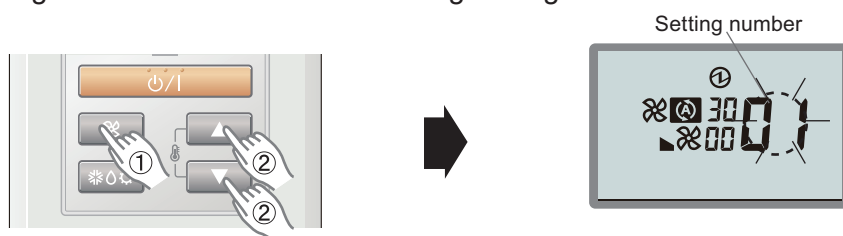
3. Press the FAN button.
The Function number indicator flashes. Then, press either the SET TEMP. ▲ button or the SET TEMP. ▼ button to set up the function number.



Function number

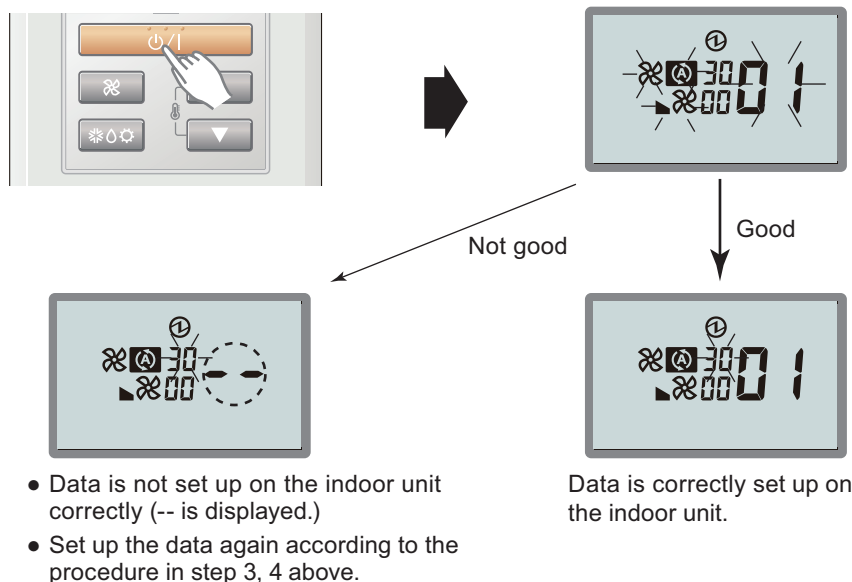


4. Select the setting number by pressing the SET TEMP. ▲ or SET TEMP. ▼ button. The setting number indicator flashes during setting number selection.



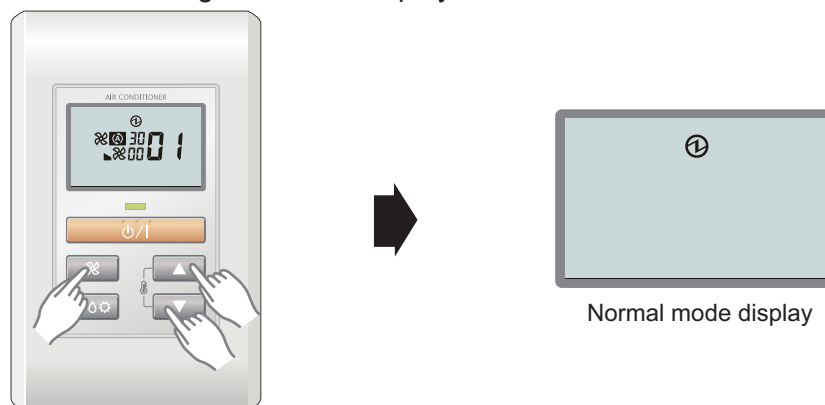
Example) Function number : 30, Setting number : 01

5. Confirm the setting by pressing the TIMER SET button. The data will be transferred to the indoor unit.



Function details: Refer to Chapter 15-6. "[Function details](#)" on page 335.

6. Exit the function setting mode by pressing the 3 buttons of SET TEMP. ▲, SET TEMP. ▼, and FAN at the same time for 5 seconds or longer. After exiting the function setting mode, the display returns to the normal mode.



If no button is pressed within 60 seconds after buttons mentioned above are pressed, it will automatically exit the function setting mode.

If you exit the function setting mode unintentionally during setting, enter the mode again according to the procedure in step 2.

● Setting up each indoor unit

Repeat the procedures from step 1 to 6, and set up the indoor units requiring function setting.

● Resetting the power after setting up function of all indoor units

NOTES:

- If the reset is not performed, function cannot be read correctly.
- After all the functions have been set, the circuit breaker needs to be switched off for at least 2 minutes.
 - After the 2 minutes has passed, power can be restored.
 - The set function is stored in the PCB and will remain in memory even when the power of indoor unit is turned off.
However setting function is effective after disconnecting the power supply and then reconnecting it.
- Record the latest configuration of the indoor unit function setting on a label, and put the label on the unit so it can be used for after-sales service operations.

■ UTY-RSRY/UTY-RHRY

● Setting procedure by using wired remote controller

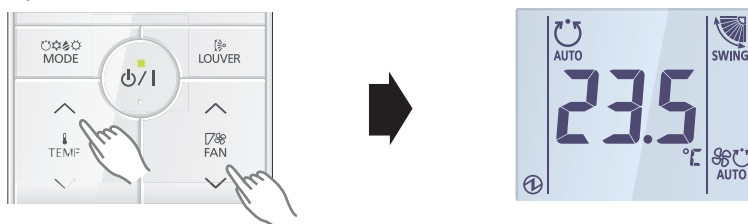
The function number and the associated setting value are displayed on the LCD of the remote controller. Follow the instructions written in the local setup procedure supplied with the remote controller, and select appropriate setting according to the installation environment.

Before connecting the power supply of the indoor unit, reconfirm following items:

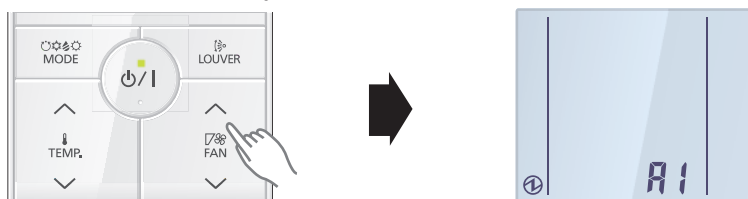
- Piping air tightness test and vacuuming have been performed firmly.
- There is no wiring mistake.

NOTE: Set only one Master remote controller.

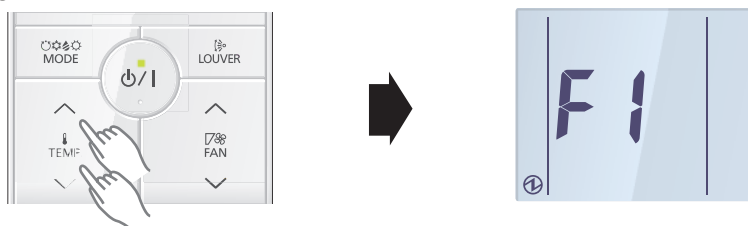
1. Connect the power supply.
2. With “Monitor mode” screen displayed, press and hold the SET TEMP. \wedge button and FAN \vee button simultaneously for at least 2 seconds.



3. The Menu 1 screen is displayed. Press and hold the SET TEMP. \wedge button at least 2 seconds. Setting mode selection screen is displayed.



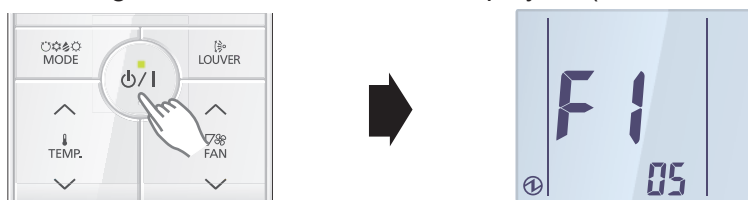
4. Press the SET TEMP. \wedge or SET TEMP. \vee button to select F1 (Menu 2-F1) setting mode or F2 (Menu 2-F2) setting mode.



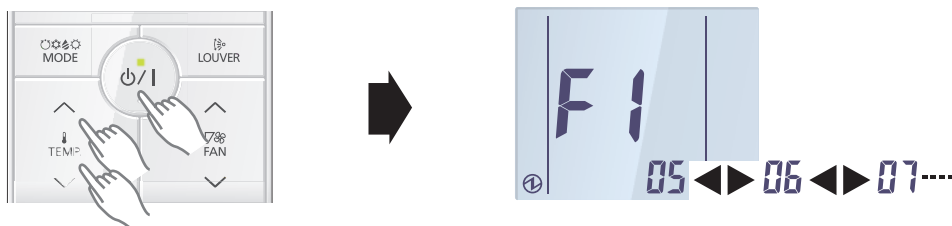
F1: Initial settings mode

F2: Maintenance settings mode

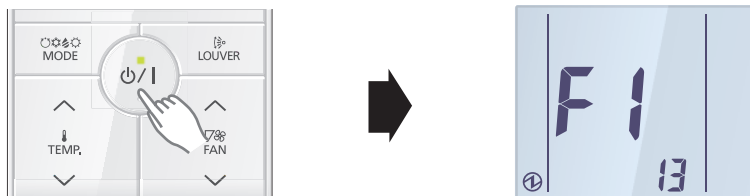
5. Press the ϕ/I button. Setting item selection screen is displayed. (Item No. is displayed.)



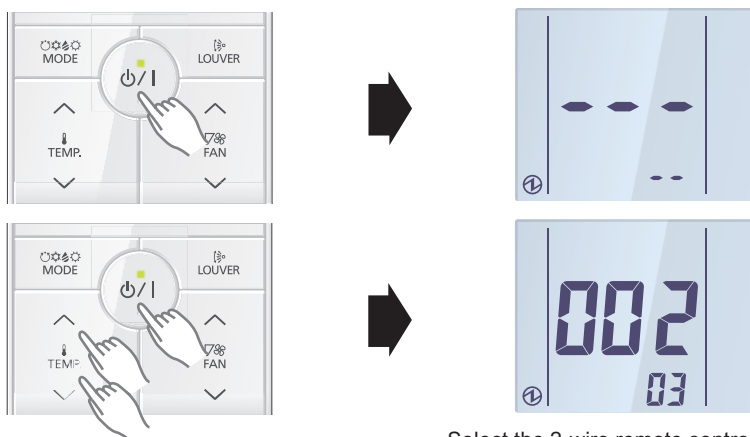
6. Select the item number to be set with the SET TEMP. \wedge or SET TEMP. \vee button, and press the ϕ/I button to switch to the setting screen.



7. Select the "13" in Menu 2-F1 settings. Then, press the ϕ/I button.

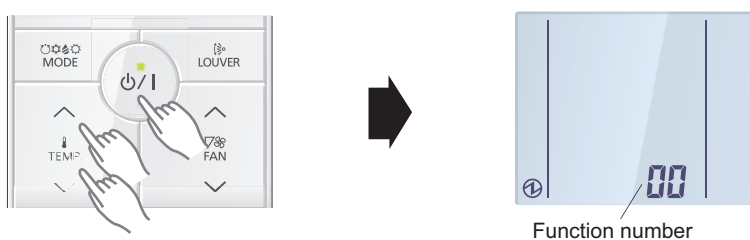


8. Select the 2-wire remote controller address with the SET TEMP. \wedge or SET TEMP. \vee button. Then press the ϕ/I button.

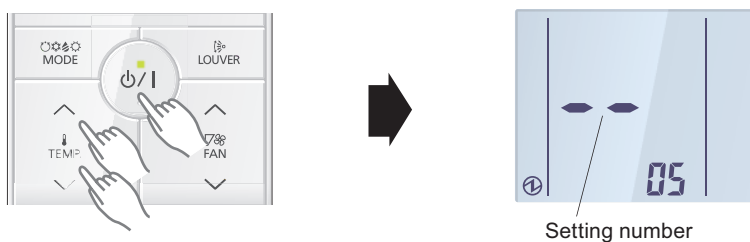


Select the 2-wire remote controller address (Ex. Select the 002-03)

9. Set the function number with the SET TEMP. \wedge or SET TEMP. \vee button. Then press the ϕ/I button.



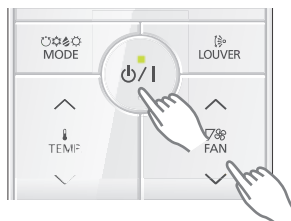
10. Set the setting number with the SET TEMP. \wedge or SET TEMP. \vee button. Then press the ϕ/I button.



11. Setting results are displayed after data transmission.



12. Press the P/I button to return to the 2-wire remote controller address selection screen of step 9. If setting has been completed, press the FAN ∇ button to return to the Menu 2-F1 item selection screen.



● Setting up each indoor unit

Repeat the procedure from step 1 to 6, and set up the indoor units requiring function setting.

● Resetting the power after setting up function of all indoor units

NOTES:

- If the reset is not performed, function cannot be read correctly.
- After all the functions have been set, the circuit breaker needs to be switched off for at least 2 minutes.
 - After the 2 minutes has passed, power can be restored.
 - The set function is stored in the PCB and will remain in memory even when the power of indoor unit is turned off.
However setting function is effective after disconnecting the power supply and then reconnecting it.
- Record the latest configuration of the indoor unit function setting on a label, and put the label on the unit so it can be used for after-sales service operations.

15-6. Function details

■ Contents of function setting

Each function setting listed in this section is adjustable in accordance with the installation environment.

NOTE: Setting will not be changed if invalid numbers or setting values are selected.

● Function setting list

| | Function no. | Functions | Compact cassette | Mini duct | Slim duct | Medium static pressure duct | | Ceiling | Floor |
|-----|--------------|---|------------------|-----------|-----------|-----------------------------|--------------|---------|-------|
| | | | | | | ARXG22 KMLB | ARXH22 KMTAP | | |
| 1) | 00 | Remote controller address setting | — | — | — | — | — | — | — |
| 2) | 11 | Filter sign | ● | ● | ● | ● | ● | ● | ● |
| 3) | 20 | Ceiling height | ● | — | — | — | — | ● | — |
| 4) | 21 | Static pressure | — | — | — | ● | — | — | — |
| 5) | 22 | Outlet directions | ● | — | — | — | — | — | — |
| 6) | 26 | Static pressure | — | ● | ● | — | ● | — | — |
| 7) | 28 | Horizontal louver direction switching for dew condensation prevention | — | — | — | — | — | — | — |
| 8) | 30/31 | Room temperature control for indoor unit sensor | ● | ● | ● | ● | ● | ● | ● |
| 9) | 35/36 | Room temperature control for wired remote controller sensor | ● | ● | ● | ● | ● | ● | — |
| 10) | 40 | Auto restart | ● | ● | ● | ● | ● | ● | ● |
| 11) | 42 | Room temperature sensor switching | ● | ● | ● | ● | ● | ● | ● |
| 12) | 44 | Remote controller custom code | ● | ● | ● | ● | — | ● | ● |
| 13) | 46 | External input control | ● | ● | ● | ● | ● | ● | ● |
| 14) | 48 | Room temperature sensor switching (Aux.) | ● | ● | ● | ● | ● | ● | — |
| 15) | 49 | Indoor unit fan control for energy saving for cooling | ● | ● | ● | ● | ● | ● | — |
| 16) | 60 | Switching functions for external output terminal | ● | ● | ● | ● | ● | ● | ● |
| 17) | 68 | Auto mode type | — | — | — | — | ● | — | — |
| 18) | 69 | Deadband value | — | — | — | — | ● | — | — |

| | Function no. | Functions | Wall mounted | | | | |
|-----|--------------|---|--------------|------|------|------|------|
| | | | KGTB | KGTE | KGTF | KMTB | KMTE |
| 1) | 00 | Remote controller address setting | ● | — | — | ● | — |
| 2) | 11 | Filter sign | ● | ● | ● | ● | ● |
| 3) | 20 | Ceiling height | — | — | — | — | — |
| 4) | 21 | Static pressure | — | — | — | — | — |
| 5) | 22 | Outlet directions | — | — | — | — | — |
| 6) | 26 | Static pressure | — | — | — | — | — |
| 7) | 28 | Horizontal louver direction switching for dew condensation prevention | — | — | — | — | — |
| 8) | 30/31 | Room temperature control for indoor unit sensor | ● | ● | ● | ● | ● |
| 9) | 35/36 | Room temperature control for wired remote controller sensor | ● | ● | ● | ● | ● |
| 10) | 40 | Auto restart | ● | ● | ● | ● | ● |
| 11) | 42 | Room temperature sensor switching | ● | ● | ● | ● | ● |
| 12) | 44 | Remote controller custom code | ● | ● | ● | ● | ● |
| 13) | 46 | External input control | ● | ● | ● | ● | ● |
| 14) | 48 | Room temperature sensor switching (Aux.) | ● | ● | ● | ● | ● |
| 15) | 49 | Indoor unit fan control for energy saving for cooling | ● | ● | ● | ● | ● |
| 16) | 60 | Switching functions for external output terminal | ● | ● | ● | ●* | ● |

*: For 07-14 models

| | Function no. | Functions | Wall mounted | | | | | |
|-----|--------------|---|--------------|------|------|----------|----------|----------|
| | | | KMCC | KMCE | KMCF | KETA(-B) | KETE(-B) | KETF(-B) |
| 1) | 00 | Remote controller address setting | ● | — | — | ● | — | — |
| 2) | 11 | Filter sign | ● | ● | ● | ● | ● | ● |
| 3) | 20 | Ceiling height | — | — | — | — | — | — |
| 4) | 21 | Static pressure | — | — | — | — | — | — |
| 5) | 22 | Outlet directions | — | — | — | — | — | — |
| 6) | 26 | Static pressure | — | — | — | — | — | — |
| 7) | 28 | Horizontal louver direction switching for dew condensation prevention | — | — | — | ● | — | — |
| 8) | 30/31 | Room temperature control for indoor unit sensor | ● | ● | ● | ● | ● | ● |
| 9) | 35/36 | Room temperature control for wired remote controller sensor | ● | ● | ● | ● | ● | ● |
| 10) | 40 | Auto restart | ● | ● | ● | ● | ● | ● |
| 11) | 42 | Room temperature sensor switching | ● | ● | ● | ● | ● | ● |
| 12) | 44 | Remote controller custom code | ● | ● | ● | ● | ● | ● |
| 13) | 46 | External input control | ● | ● | ● | ● | ● | ● |
| 14) | 48 | Room temperature sensor switching (Aux.) | ● | ● | ● | ● | ● | ● |
| 15) | 49 | Indoor unit fan control for energy saving for cooling | ● | ● | ● | ● | ● | ● |
| 16) | 60 | Switching functions for external output terminal | ● | ● | ● | — | ● | ● |

1) Remote controller address setting (for Wall-mounted type only)

NOTES:

- Because this setting is normally done automatically when 2-wire-type wired remote controller is installed, setting is unnecessary.
- This setting is configurable only by wireless remote controller, but not configurable by Polar 3-wired remote controller.

Multiple indoor units can be operated by using one wired remote controller.

Set the unit number of each indoor unit.

| Function number | Setting value | Setting description | Factory setting |
|-----------------|---------------|---------------------|-----------------|
| 00 | 00 | Unit no. 0 | ◆ |
| | 01 | Unit no. 1 | |
| | 02 | Unit no. 2 | |
| | 03 | Unit no. 3 | |
| | 04 | Unit no. 4 | |
| | 05 | Unit no. 5 | |
| | 06 | Unit no. 6 | |
| | 07 | Unit no. 7 | |
| | 08 | Unit no. 8 | |
| | 09 | Unit no. 9 | |
| | 10 | Unit no. 10 | |
| | 11 | Unit no. 11 | |
| | 12 | Unit no. 12 | |
| | 13 | Unit no. 13 | |
| | 14 | Unit no. 14 | |
| 15 | Unit no. 15 | | |

NOTES:

- When connecting Polar 3-wired remote controller, set the remote controller address in the order of 0, 1, 2,, and 15.
- When different type of indoor units (such as wall mounted type and cassette type, cassette type and duct type, or other combinations) are connected using group control system, some functions may no longer be available.

2) Filter sign

Select appropriate intervals for displaying the filter sign on the indoor unit according to the estimated amount of dust in the air of the room.

If the indication is not required, select "No indication" (03).

| Function number | Setting value | Setting description | Factory setting |
|-----------------|---------------|---------------------|-----------------|
| 11 | 00 | Standard | |
| | 01 | Long interval | |
| | 02 | Short interval | |
| | 03 | No indication | ◆ |

| Setting description | Compact cassette | Mini duct | Slim duct | Medium static pressure duct | Wall mounted |
|---------------------|------------------|-------------|-----------|-----------------------------|--------------|
| Standard | 2,500 hours | 400 hours | | 2,500 hours | 400 hours |
| Long interval | 4,400 hours | 1,000 hours | | 4,400 hours | 1,000 hours |
| Short interval | 1,250 hours | 200 hours | | 1,250 hours | 200 hours |

3) Ceiling height (for Compact cassette type and Ceiling type only)

Select the appropriate ceiling height according to the place of installation.

| Function number | Setting value | Setting description | Factory setting |
|-----------------|---------------|---------------------|-----------------|
| 20 | 00 | Standard | ◆ |
| | 01 | High ceiling | |

For the specific height for each setting value, refer to "Installation space" in Chapter 4. "[Dimensions](#)" on page 35.

NOTE: The ceiling height values are for the 4-way outlet. Do not change this setting in the 3-way outlet mode.

7,000 or 9,000 Btu/h models cannot be installed in high ceilings. Do not change this setting.

4) Static pressure (for Medium static pressure duct type (ARXG22KMLB) only)

Select the appropriate static pressure according to the installation conditions.

| Function number | Setting value | Setting description | Factory setting |
|-----------------|---------------|------------------------|-----------------|
| 21 | 00 | Normal | ◆ |
| | 01 | High static pressure 1 | |
| | 02 | High static pressure 2 | |
| | 03 | High static pressure 3 | |

5) Outlet directions (for Compact cassette type only)

Select the appropriate number of outlet directions according to the installation conditions.

| Function number | Setting value | Setting description | Factory setting |
|-----------------|---------------|---------------------|-----------------|
| 22 | 00 | 4-way | ◆ |
| | 01 | 3-way | |

6) Static pressure (for Mini duct type, Slim duct type, and Medium static pressure duct type (ARXH22KMTAP))

Select the appropriate static pressure according to the installation conditions.

For mini duct type:

| Function number | Setting value | Setting description | Factory setting |
|-----------------|---------------|---|-----------------|
| 26 | 00 | 0 Pa | |
| | 01 | 10 Pa | |
| | 02 | 20 Pa | |
| | 03 | 30 Pa | |
| | 04 | 40 Pa | |
| | 05 | 50 Pa | |
| | 31 | Standard (10 Pa: 07; 09; 12 models, 15 Pa: 14; 18 models) | |

NOTES:

- Range of static pressure is different by model. 07, 09, 12 models are 0 to 30 Pa. 14, 18 models are 0 to 50 Pa.
- Setting number in 07, 09, 12 models is "04 to 30": Operation is same as that "03".
- Setting number in 14, 18 models is "06 to 30": Operation is same as that "05".
- Setting number value cannot be set to 32 or more.

For slim duct type:

| Function number | Setting value | Setting description | Factory setting |
|-----------------|---------------|---------------------|-----------------|
| 26 | 00 | 0 Pa | |
| | 01 | 10 Pa | |
| | 02 | 20 Pa | |
| | 03 | 30 Pa | |
| | 04 | 40 Pa | |
| | 05 | 50 Pa | |
| | 06 | 60 Pa | |
| | 07 | 70 Pa | |
| | 08 | 80 Pa | |
| | 09 | 90 Pa | |
| | 31 | Standard (25 Pa) | |

Medium static pressure duct type (ARXH22KMTAP):

| Function number | Setting value | Setting description | Factory setting | |
|-----------------|---------------|------------------------------|-----------------|---|
| 26 | 03 | 30 Pa | | |
| | 04 | 40 Pa | | |
| | 05 | 50 Pa | | |
| | 06 | 60 Pa | | |
| | 07 | 70 Pa | | |
| | 08 | 80 Pa | | |
| | 09 | 90 Pa | | |
| | 10 | 100 Pa | | |
| | 11 | 110 Pa | | |
| | 12 | 120 Pa | | |
| | 13 | 130 Pa | | |
| | 14 | 140 Pa | | |
| | 15 | 150 Pa | | |
| | 31 | Standard (40 Pa) | | ◆ |
| | 32 | Automatic airflow adjustment | | |

NOTE: If the static pressure is set above maximum range, the setting is same as the maximum.
For example, The setting "160 Pa" (16) to "300 Pa" (30) is same as "150 Pa" (15).

7) Horizontal louver direction switching for dew condensation prevention (for KE model in Wall-mounted type only)

Automatically switches the position of the horizontal louver if the airflow direction is set at lower than the dew condensation limit position in cooling or drying operation.

Select suitable adjustment position according to the customer's preference.

| Function number | Setting value | Setting description | Factory setting |
|-----------------|---------------|---|-----------------|
| 28 | 00 | Adjust to dew condensation limit position | ◆ |
| | 01 | Adjust to cooling standard position | |

8) Room temperature control for indoor unit sensor

NOTE: If the remote sensor unit option is selected, perform this setting.

Depending on the installed environment, correction of the room temperature sensor may be required. Select the appropriate control setting according to the installed environment.

The temperature of the room temperature sensor is corrected as follows:

Corrected temp. = Temp. of the room temp. sensor - Correction temp. value

Example of correction:

When the temperature of the room temp. sensor is 26°C and the setting value is "03" (-1.0°C), corrected temp. will be 27°C (26°C - [-1.0°C]).

The temperature correction values show the difference from the Standard setting "00" (manufacturer's recommended value).

| Function number | Setting value | Setting description | Factory setting | | |
|---------------------|---------------------|---------------------|---------------------|------------------------------|--|
| 30 (For cooling) | 31 (For heating) | 00 | Standard setting | ◆ | |
| | | 01 | No correction 0.0°C | | |
| | | 02 | -0.5°C | More cooling Less heating | |
| | | 03 | -1.0°C | | |
| | | 04 | -1.5°C | | |
| | | 05 | -2.0°C | | |
| | | 06 | -2.5°C | | |
| | | 07 | -3.0°C | | |
| | | 08 | -3.5°C | | |
| | | 09 | -4.0°C | | |
| | | 10 | +0.5°C | Less cooling More heating | |
| | | 11 | +1.0°C | | |
| | | 12 | +1.5°C | | |
| | | 13 | +2.0°C | | |
| | | 14 | +2.5°C | | |
| | | 15 | +3.0°C | | |
| | | 16 | +3.5°C | | |
| 17 | +4.0°C | | | | |

9) Room temperature control for wired remote controller sensor (for other than Floor type)

Depending on the installed environment, correction of the wire remote temperature sensor may be required. Select the appropriate control setting according to the installed environment.

To change this setting, set Function 42 to Both "01".

Ensure that the Thermo Sensor icon is displayed on the remote controller screen.

| Function number | | Setting value | Setting description | Factory setting | |
|---------------------|---------------------|---------------|---------------------|------------------------------|--|
| 35 (For cooling) | 36 (For heating) | 00 | Standard setting | ◆ | |
| | | 01 | No correction 0.0°C | | |
| | | 02 | -0.5°C | More cooling Less heating | |
| | | 03 | -1.0°C | | |
| | | 04 | -1.5°C | | |
| | | 05 | -2.0°C | | |
| | | 06 | -2.5°C | | |
| | | 07 | -3.0°C | | |
| | | 08 | -3.5°C | | |
| | | 09 | -4.0°C | | |
| | | 10 | +0.5°C | Less cooling More heating | |
| | | 11 | +1.0°C | | |
| | | 12 | +1.5°C | | |
| | | 13 | +2.0°C | | |
| | | 14 | +2.5°C | | |
| | | 15 | +3.0°C | | |
| | | 16 | +3.5°C | | |
| 17 | +4.0°C | | | | |

10) Auto restart

Enables or disables automatic restart after a power interruption.

| Function number | Setting value | Setting description | Factory setting |
|-----------------|---------------|---------------------|-----------------|
| 40 | 00 | Enable | ◆ |
| | 01 | Disable | |

NOTE: Auto restart is an emergency function such as for power outage etc. Do not attempt to use this function in normal operation. Be sure to operate the unit by remote controller or external device.

11) Room temperature sensor switching

When using the wired remote controller temperature sensor, change the setting to "Both" (01).

| Function number | Setting value | Setting description | Factory setting |
|-----------------|---------------|---------------------|-----------------|
| 42 | 00 | Indoor unit | ◆ |
| | 01 | Both | |

00: Sensor on the indoor unit is active.

01: Sensors on both indoor unit and wired remote controller are active.

NOTES:

- Remote controller sensor must be turned on by using the remote controller.
- When using the remote sensor unit, set to "00" or set to "01" and then select "indoor unit sensor" from wired remote controller.

12) Remote controller custom code

(Only for wireless remote controller)

The indoor unit custom code can be changed. Select the appropriate custom code.

| Function number | Setting value | Setting description | Factory setting |
|-----------------|---------------|---------------------|-----------------|
| 44 | 00 | A | ◆ |
| | 01 | B | |
| | 02 | C | |
| | 03 | D | |

13) External input control

"Operation/Stop" mode or "Forced stop" mode can be selected.

| Function number | Setting value | Setting description | Factory setting |
|-----------------|---------------|---|-----------------|
| 46 | 00 | Operation/Stop mode 1 (Remote controller enabled) | ◆ |
| | 01 | (Setting prohibited) | |
| | 02 | Forced stop mode | |
| | 03 | Operation/Stop mode 2 (Remote controller disabled) | |

NOTE: If this function is necessary, the rotary switch on the External input and output PCB should be set to 1.

14) Room temperature sensor switching (Aux.) (for other than Floor type)

To use the temperature sensor on the wired remote controller only, change the setting to "Wired remote controller" (01).

This function will only work if the function setting 42 is set at "Both" (01).

When the setting value is set to "Both" (00), more suitable control of the room temperature is possible by setting function setting 30 and 31 too.

| Function number | Setting value | Setting description | Factory setting |
|-----------------|---------------|-------------------------|-----------------|
| 48 | 00 | Both | ◆ |
| | 01 | Wired remote controller | |

15) Indoor unit fan control for energy saving for cooling (for other than Floor type)

Enables or disables the power-saving function by controlling the indoor unit fan rotation when the outdoor unit is stopped during cooling operation.

| Function number | Setting value | Setting description | Factory setting |
|-----------------|---------------|---------------------|-----------------|
| 49 | 00 | Disable | |
| | 01 | Enable | |
| | 02 | Remote controller | ◆ |

00: When the outdoor unit is stopped, the indoor unit fan operates continuously following the setting on the remote controller.

01: When the outdoor unit is stopped, the indoor unit fan operates intermittently at a very low speed.

02: Enable or disable this function by remote controller setting.

NOTE: Set to "00" or "01" when connecting a remote controller that cannot set the Fan control for energy saving function or connecting a network converter. To confirm if the remote controller has this setting, refer to the operating manual of each remote controller.

16) Switching functions for external output terminal (For other than 18-24KMTB and KETA[-B] models in Wall-mounted type)

Functions of the external output terminal can be switched. For details, refer to “External input and output”.

| Function number | Setting value | Setting description | Factory setting |
|-----------------|---------------|----------------------------------|-----------------|
| 60 | 00 | Operation status | ◆ |
| | 01—08 | (Setting prohibited) | |
| | 09 | Error status | |
| | 10 | Indoor unit fan operation status | |
| | 11 | (Setting prohibited) | |

17) Auto mode type (for Medium static pressure duct type (ARXH22KMTAP))

Switches the setting method of the auto mode between single or dual (cooling and heating.)
Set the primary indoor unit using a wired remote controller for heat pump systems.

| Function number | Setting value | Setting description | Factory setting |
|-----------------|---------------|---------------------------|-----------------|
| 68 | 00 | Single setpoint auto mode | ◆ |
| | 01 | Dual setpoint auto mode | |

NOTE: The auto mode type setting is available only if a compatible operating device is connected.

18) Deadband value (for Medium static pressure duct type (ARXH22KMTAP))

Sets the minimum temperature of the deadband in the dual setpoint auto mode (the setting value 01 of the function setting number 68: Auto mode type.)

| Function number | Setting value | Setting description | Factory setting |
|-----------------|---------------|---------------------|-----------------|
| 69 | 00 | 0°C | ◆ |
| | 01 | 0.5°C | |
| | 02 | 1.0°C | |
| | 03 | 1.5°C | |
| | 04 | 2.0°C | |
| | 05 | 2.5°C | |
| | 06 | 3.0°C | |
| | 07 | 3.5°C | |
| | 08 | 4.0°C | |
| | 09 | 4.5°C | |

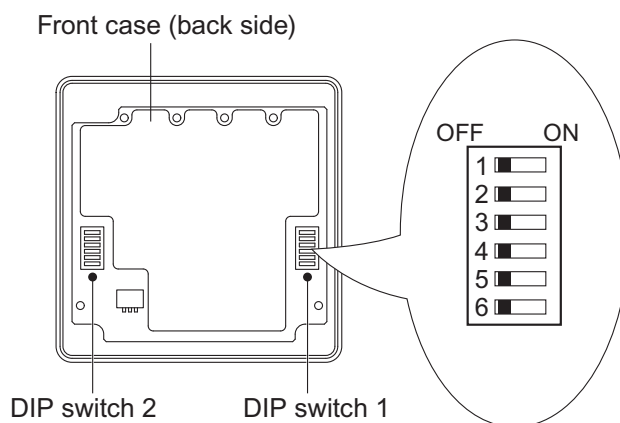
NOTE: The deadband setting is available only if a compatible operating device is connected.

15-7. Wired remote controller (UTY-RNNYM)

| | | |
|--------------|-----|--------------------------------|
| DIP switch 1 | SW1 | Prohibited |
| | SW2 | Dual remote controller setting |
| | SW3 | Prohibited |
| | SW4 | °F/°C switch |
| | SW5 | Prohibited |
| | SW6 | Memory backup setting |

* Do not use DIP switch 2.

Switch location

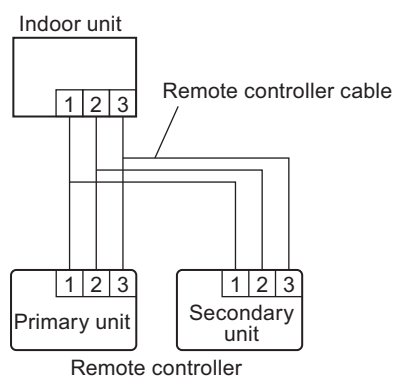


DIP switch 1 setting

● SW2: Dual remote controller setting

Set the remote controller SW2 according to the following table.

| Number of remote controller | Primary unit | Secondary unit | Factory setting |
|-----------------------------|--------------|----------------|-----------------|
| | SW2 | SW2 | |
| 1 (Normal) | OFF | — | ◆ |
| 2 (Dual) | OFF | ON | |



● SW4: Switching temperature unit °F / °C

Displayed temperature unit can be switched between Fahrenheit (°F) and Celsius (°C).

| SW4 | Fahrenheit (°F) / Celsius (°C) | Factory setting |
|-----|--------------------------------|-----------------|
| OFF | °C | ◆ |
| ON | °F | |

● SW6: Memory backup setting

Set to "ON" to use batteries for the memory backup.

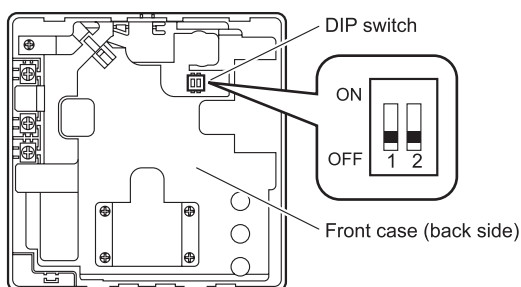
When batteries are not used, all of settings stored in memory will be deleted if there is a power failure.

| SW6 | Memory backup | Factory setting |
|-----|---------------|-----------------|
| OFF | Disable | ◆ |
| ON | Enable | |

15-8. Wired remote controller (UTY-RVNYM)

| | | |
|--------------|-----|--------------------------------|
| DIP switch 1 | SW1 | Memory backup setting |
| | SW2 | Dual remote controller setting |

■ Switch location



■ DIP switch setting

● SW1: Memory backup setting

Set to "ON" to use batteries for the memory backup.

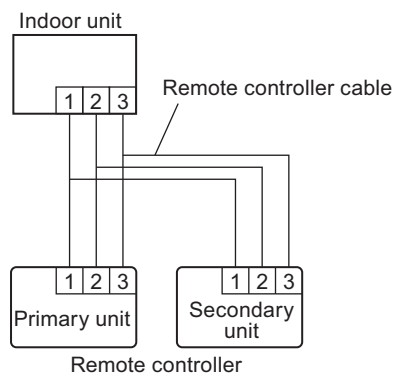
When batteries are not used, all of settings stored in memory will be deleted if there is a power failure.

| SW1 | Memory backup | Factory setting |
|-----|---------------|-----------------|
| OFF | Disable | ◆ |
| ON | Enable | |

● SW2: Dual remote controller setting

Set the remote controller SW2 according to the following table.

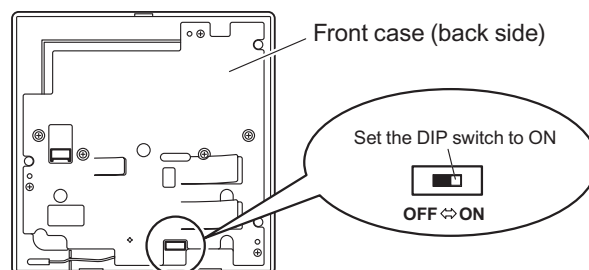
| Number of remote controller | Primary unit | Secondary unit | Factory setting |
|-----------------------------|--------------|----------------|-----------------|
| | SW2 | SW2 | |
| 1 (Normal) | OFF | — | ◆ |
| 2 (Dual) | OFF | ON | |



15-9. Wired remote controller (UTY-RLRY)

| | |
|------------|-----------------------|
| DIP switch | Memory backup setting |
|------------|-----------------------|

■ Switch location



■ Dip switch setting

● SW1: Memory backup setting

Set to "ON" to use batteries for the memory backup.

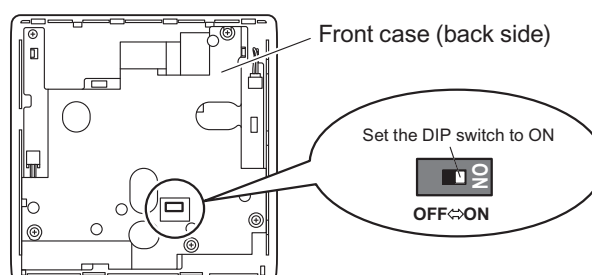
When batteries are not used, all of settings stored in memory will be deleted if there is a power failure.

| SW1 | Memory backup | Factory setting |
|-----|---------------|-----------------|
| OFF | Disable | ◆ |
| ON | Enable | |

15-10. Wired remote controller (UTY-RNRYZ*)

| | |
|------------|-----------------------|
| DIP switch | Memory backup setting |
|------------|-----------------------|

■ Switch location



■ Dip switch setting

● SW1: Memory backup setting

Set to "ON" to use batteries for the memory backup.

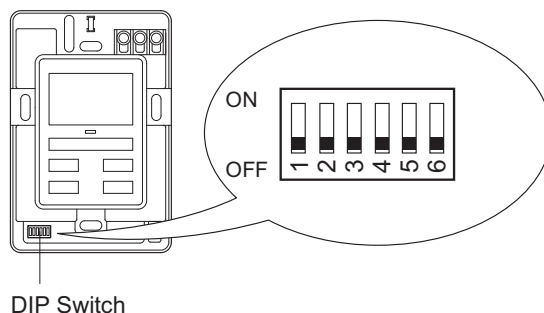
When batteries are not used, all of settings stored in memory will be deleted if there is a power failure.

| SW1 | Memory backup | Factory setting |
|-----|---------------|-----------------|
| OFF | Disable | ◆ |
| ON | Enable | |

15-11. Simple remote controller (UTY-RSNYM)

| | | |
|------------|-----|--------------------------------|
| DIP switch | SW1 | Prohibited |
| | SW2 | Dual remote controller setting |
| | SW3 | °F/°C switch |
| | SW4 | Prohibited |
| | SW5 | Prohibited |
| | SW6 | Prohibited |

■ Switch location

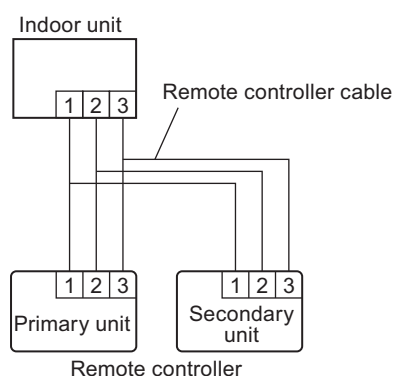


■ DIP switch setting

● SW2: Dual remote controller setting

Set the remote controller SW2 according to the following table.

| Number of remote controller | Primary unit | Secondary unit | Factory setting |
|-----------------------------|--------------|----------------|-----------------|
| | SW2 | SW2 | |
| 1 (Normal) | OFF | — | ◆ |
| 2 (Dual) | OFF | ON | |



● SW3: Switching temperature unit °F / °C


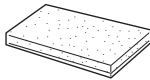
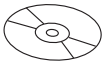


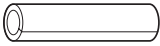
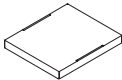
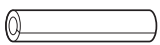




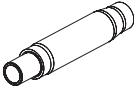
Displayed temperature unit can be switched between Fahrenheit (°F) and Celsius (°C).

| SW3 | Fahrenheit (°F) / Celsius (°C) | Factory setting |
|-----|--------------------------------|-----------------|
| OFF | °C | ◆ |
| ON | °F | |

16. Accessories


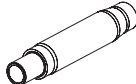







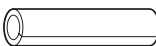

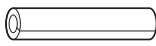
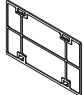

16-1. Compact cassette type

■ Models: AUXG07-22KVLA


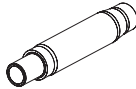
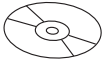



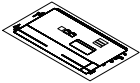


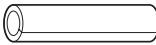

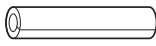
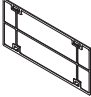

| Part name | Exterior | Qty | Part name | Exterior | Qty |
|-------------------------------------|---|-----|---------------------------------|---|-----|
| Operation manual |  | 1 | Drain hose insulation |  | 1 |
| Operation manual (CD-ROM) |  | 1 | Hose band |  | 1 |
| Installation manual |  | 1 | Coupler heat insulation (large) |  | 1 |
| Template (Carton top) |  | 1 | Coupler heat insulation (small) |  | 1 |
| M10 nut A (with flange) |  | 4 | Cable tie |  | 2 |
| M10 nut B (with spring lock washer) |  | 4 | Wire crammer |  | 1 |
| Drain hose |  | 1 | | | |

16-2. Mini duct type

■ Models: ARXG07-14KSLAP





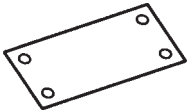
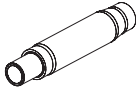





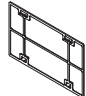

| Part name | Exterior | Qty | Part name | Exterior | Qty |
|------------------------------------|--|-----|------------------------------------|--|-----|
| Operation manual |  | 1 | Drain hose |  | 1 |
| Operation manual (CD-ROM) |  | 1 | Hose band |  | 1 |
| Installation manual |  | 1 | Drain hose insulation B |  | 1 |
| Installation template (Carton top) |  | 1 | Washer |  | 8 |
| Cable tie (large) |  | 4 | Coupler heat insulation (large) |  | 1 |
| Cable tie (medium) |  | 3 | Coupler heat insulation (small) |  | 1 |
| Filter (small) |  | 2 | Insulation (For electrical wiring) |  | 2 |

Model: ARXG18KSLAP

| Part name | Exterior | Qty | Part name | Exterior | Qty |
|------------------------------------|---|-----|------------------------------------|---|-----|
| Operation manual |  | 1 | Drain hose |  | 1 |
| Operation manual (CD-ROM) |  | 1 | Hose band |  | 1 |
| Installation manual |  | 1 | Drain hose insulation B |  | 1 |
| Installation template (Carton top) |  | 1 | Washer |  | 8 |
| Cable tie (large) |  | 4 | Coupler heat insulation (large) |  | 1 |
| Cable tie (medium) |  | 3 | Coupler heat insulation (small) |  | 1 |
| Filter (large) |  | 2 | Insulation (For electrical wiring) |  | 2 |






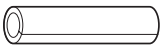

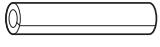
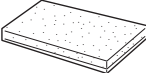



16-3. Slim duct type

■ Models: ARXG07-18KLLAP








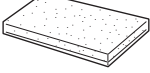
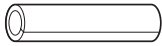
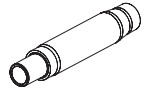
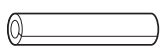

| Part name | Exterior | Qty | Part name | Exterior | Qty |
|----------------------------------|---|-----|--|--|-----|
| Operation manual |  | 1 | Cable tie (Large) |  | 4 |
| Installation manual |  | 1 | Cable tie (Small) |  | 3 |
| Installation template |  | 1 | Drain hose |  | 1 |
| Washer |  | 8 | Hose band |  | 1 |
| Coupler heat insulation (Large) |  | 1 | Drain hose insulation B |  | 1 |
| Coupler heat insulation (Small) |  | 1 | Filter (Small) (For 7/9/12/14 models) |  | 2 |
| Filter (Large) (For 18 model) |  | 2 | | | |

16-4. Medium static pressure duct type

■ Model: ARXG22KMLB


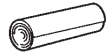
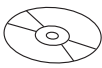
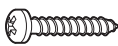


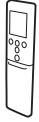
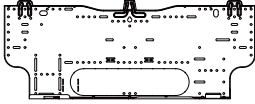



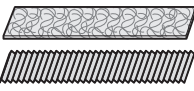
| Part name | Exterior | Qty | Part name | Exterior | Qty |
|---------------------------|---|-----|-------------------------------------|---|-----|
| Operation manual |  | 1 | Cable tie (medium) |  | 1 |
| Operation manual (CD-ROM) |  | 1 | Cable tie (small) |  | 1 |
| Installation manual |  | 1 | Coupler heat insulation (large) |  | 1 |
| Hanger |  | 4 | Coupler heat insulation (small) |  | 1 |
| Drain hose insulation |  | 1 | M10 nut A (with flange) |  | 4 |
| Cable tie (large) |  | 1 | M10 nut B (with spring lock washer) |  | 4 |

■ Model: ARXH22KMTAP


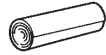
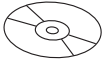
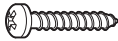


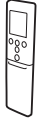
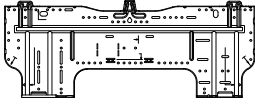



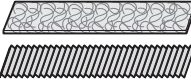
| Part name | Exterior | Qty | Part name | Exterior | Qty |
|---------------------------------|---|-----|-----------------------|---|-----|
| Operation manual |  | 1 | Cable tie (large) |  | 4 |
| Operation manual (CD-ROM) |  | 1 | Cable tie (medium) |  | 1 |
| Installation manual |  | 1 | Cable tie (small) |  | 1 |
| Washer |  | 8 | Drain hose insulation |  | 1 |
| Coupler heat insulation (large) |  | 1 | Drain hose |  | 1 |
| Coupler heat insulation (small) |  | 1 | Hose band |  | 1 |

16-5. Wall mounted type


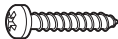


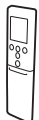




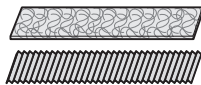
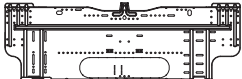
■ Models: ASYG07-14KGTB, ASYG07-14KMTB, and ASYG07-14KMCC

| Part name | Exterior | Qty | Part name | Exterior | Qty |
|---------------------------|--|-----|----------------------------|---|-----|
| Operation manual |  | 1 | Cloth tape |  | 1 |
| Operation manual (CD-ROM) |  | 1 | Self-tapping screw (large) |  | 5 |
| Installation manual |  | 1 | Self-tapping screw (small) |  | 2 |
| Remote controller |  | 1 | Wall hook bracket |  | 1 |
| Battery |  | 2 | Filter holder |  | 2 |
| Remote controller holder |  | 1 | Air cleaning filters |  | 1 |



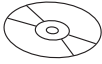
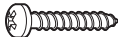


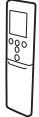
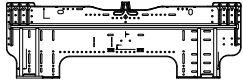


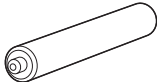
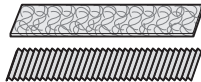
■ Models: ASYG07-14KGTE and ASYG07-14KGTf

| Part name | Exterior | Qty | Part name | Exterior | Qty |
|---------------------------|--|-----|----------------------------|---|-----|
| Operation manual |  | 1 | Cloth tape |  | 1 |
| Operation manual (CD-ROM) |  | 1 | Self-tapping screw (large) |  | 5 |
| Installation manual |  | 1 | Self-tapping screw (small) |  | 2 |
| Remote controller |  | 1 | Wall hook bracket |  | 1 |
| Battery |  | 2 | Filter holder |  | 2 |
| Remote controller holder |  | 1 | Air cleaning filters |  | 1 |


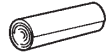
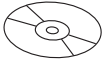
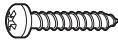


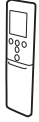
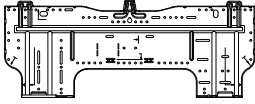



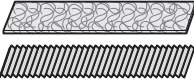
■ Models: ASYG18-24KMTB

| Part name | Exterior | Qty | Part name | Exterior | Qty |
|--------------------------|--|-----|----------------------------|---|-----|
| Operation manual |  | 1 | Self-tapping screw (large) |  | 5 |
| Installation manual |  | 1 | Self-tapping screw (small) |  | 2 |
| Remote controller |  | 1 | Battery |  | 2 |
| Remote controller holder |  | 1 | Filter holder |  | 2 |
| Cloth tape |  | 1 | Air cleaning filters |  | 1 |
| Wall hook bracket |  | 1 | | | |


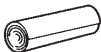
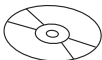



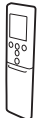
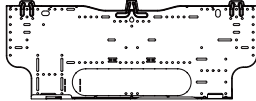



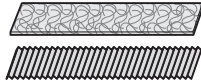
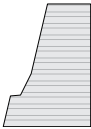
■ Models: ASYG18-24KMTE

| Part name | Exterior | Qty | Part name | Exterior | Qty |
|---------------------------|--|-----|----------------------------|--|-----|
| Operation manual |  | 1 | Cloth tape |  | 1 |
| Operation manual (CD-ROM) |  | 1 | Self-tapping screw (large) |  | 5 |
| Installation manual |  | 1 | Self-tapping screw (small) |  | 2 |
| Remote controller |  | 1 | Wall hook bracket |  | 1 |
| Remote controller holder |  | 2 | Filter holder |  | 2 |
| Battery |  | 2 | Air cleaning filters |  | 1 |

■ Models: ASYG07-14KMCE and ASYG07-14KMCF


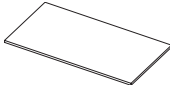
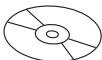
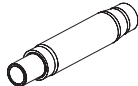







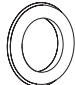


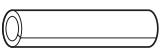
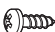
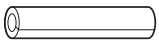
| Part name | Exterior | Qty | Part name | Exterior | Qty |
|---------------------------|--|-----|----------------------------|---|-----|
| Operation manual |  | 1 | Cloth tape |  | 1 |
| Operation manual (CD-ROM) |  | 1 | Self-tapping screw (large) |  | 5 |
| Installation manual |  | 1 | Self-tapping screw (small) |  | 2 |
| Remote controller |  | 1 | Wall hook bracket |  | 1 |
| Battery |  | 2 | Filter holder |  | 2 |
| Remote controller holder |  | 1 | Air cleaning filters |  | 1 |

■ Models: ASYG07-14KETA, ASYG07-14KETA-B, ASYG07-14KETE, ASYG07-14KETE-B, ASYG07-14KETF, and ASYG07-14KETF-B

| Part name | Exterior | Qty | Part name | Exterior | Qty |
|-----------------------------------|---|-----|----------------------------|--|-----|
| Operation manual |  | 1 | Cloth tape |  | 1 |
| Operation manual (CD-ROM) |  | 1 | Self-tapping screw (large) |  | 5 |
| Installation manual |  | 1 | Self-tapping screw (small) |  | 2 |
| Remote controller |  | 1 | Wall hook bracket |  | 1 |
| Battery |  | 2 | Filter holder |  | 2 |
| Remote controller holder |  | 1 | Air cleaning filters |  | 1 |
| Template (for pipe cover cutting) |  | 1 | | | |


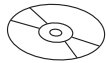


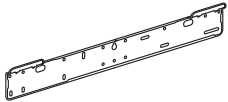
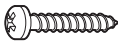



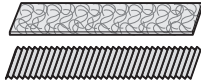

16-6. Ceiling type

■ Models: ABYG18-22KRTA

| Part name | Exterior | Qty | Part name | Exterior | Qty |
|-------------------------------------|---|-----|----------------------------------|---|-----|
| Operation manual |  | 1 | Insulation |  | 1 |
| Operation manual (CD-ROM) |  | 1 | Drain hose |  | 1 |
| Installation manual |  | 1 | Hose band |  | 1 |
| Template |  | 1 | Cable tie (large) |  | 4 |
| M10 nut A (with flange) |  | 4 | Cable tie (small) |  | 1 |
| M10 nut B (with spring lock washer) |  | 4 | Remote controller cable hole cap |  | 1 |
| Washer |  | 8 | Self-tapping screw (White) |  | 6 |
| Coupler heat insulation (large) |  | 1 | Self-tapping screw |  | 3 |
| Coupler heat insulation (small) |  | 1 | | | |

16-7. Floor type

■ Models: AGYG09-14KVCA

| Part name | Exterior | Qty | Part name | Exterior | Qty |
|--------------------------|--|-----|-----------------------------|---|-----|
| Operation manual |  | 1 | Operation manual (CD-ROM) |  | 1 |
| Installation manual |  | 1 | Cloth tape |  | 1 |
| Wall hook bracket |  | 1 | Self-tapping screws (large) |  | 9 |
| Remote controller |  | 1 | Self-tapping screws (small) |  | 2 |
| Battery |  | 2 | Air cleaning filters |  | 1 |
| Remote controller holder |  | 1 | | | |

17. Optional parts

17-1. Controllers

■ Lineup

| Indoor unit type | | Type | | | | |
|-----------------------------|-------------|----------------------------|----------|----------|----------|---|
| | | Wireless Remote Controller | | | | |
| | | AR-REM4E | AR-REM7E | AR-REB1E | AR-REW2E | |
| Compact cassette | | — | — | — | — | |
| Mini duct | | — | — | — | — | |
| Slim duct | | — | — | — | — | |
| Medium static pressure duct | ARXG22KMLA | — | — | — | — | |
| | ARXH22KMTAP | — | — | — | — | |
| Wall mounted | KGTB | ● | — | — | — | |
| | KGTE | — | — | — | — | |
| | KGTF | — | — | — | — | |
| | KMTB | 07-14 model | — | — | ● | — |
| | | 18-24 model | — | — | — | ● |
| | KMTE | — | — | — | ● | |
| | KMCC | — | — | ● | — | |
| | KMCE | — | — | — | — | |
| | KMCF | — | — | — | — | |
| | KETA(-B) | — | — | — | — | |
| KETE(-B) | — | — | — | — | | |
| KETF(-B) | — | — | — | — | | |
| Ceiling | | — | — | — | — | |
| Floor | | — | ● | — | — | |

| Indoor unit type | | Type | | | | |
|-----------------------------|-------------|----------------------------|----------|----------|----------|---|
| | | Wireless Remote Controller | | | | |
| | | AR-REW3E | AR-REW4E | AR-RMB1E | UTY-LNTY | |
| Compact cassette | | — | — | — | ○ | |
| Mini duct | | — | — | — | — | |
| Slim duct | | — | — | — | — | |
| Medium static pressure duct | ARXG22KMLA | — | — | — | — | |
| | ARXH22KMTAP | — | — | — | — | |
| Wall mounted | KGTB | — | — | — | — | |
| | KGTE | ● | — | — | — | |
| | KGTF | ● | — | — | — | |
| | KMTB | 07-14 model | — | — | — | — |
| | | 18-24 model | — | — | — | — |
| | KMTE | — | — | — | — | |
| | KMCC | — | — | — | — | |
| | KMCE | — | — | ● | — | |
| | KMCF | — | — | ● | — | |
| | KETA(-B) | — | ● | — | — | |
| KETE(-B) | — | ● | — | — | | |
| KETF(-B) | — | ● | — | — | | |
| Ceiling | | — | — | — | — | |
| Floor | | — | — | — | — | |

| Indoor unit type | | Type | | | | | |
|-----------------------------|-------------|-------------------------|-----------|----------|------------|------------|-----|
| | | Wired Remote Controller | | | | | |
| | | UTY-RNNYM | UTY-RVNYM | UTY-RLRY | UTY-RNRYZ* | UTY-RCRYZ1 | |
| Compact cassette | | ○ | ○ | ○ | ○ | ○ | |
| Mini duct | | ○ | ○ | ○ | ○ | ○ | |
| Slim duct | | ○ | ○ | ○ | ○ | ○ | |
| Medium static pressure duct | ARXG22KMLA | ○ | ○ | ○ | ○ | ○ | |
| | ARXH22KMTAP | — | — | ○ | ○ | ○ | |
| Wall mounted | KGTB | — | — | ○*2 | ○*2 | ○*2 | |
| | KGTE | — | — | ○*2 | ○*2 | ○*2 | |
| | KGTF | — | — | ○*2 | ○*2 | ○*2 | |
| | KMTB | 07-14 model | ○*1 | ○*1 | — | — | — |
| | | 18-24 model | — | — | ○*2 | ○*2 | ○*2 |
| | KMTE | — | — | ○*2 | ○*2 | ○*2 | |
| | KMCC | ○*1 | ○*1 | — | — | — | |
| | KMCE | — | — | ○*2 | ○*2 | ○*2 | |
| | KMCF | — | — | ○*2 | ○*2 | ○*2 | |
| | KETA(-B) | — | — | ○*2 | ○*2 | ○*2 | |
| | KETE(-B) | — | — | ○*2 | ○*2 | ○*2 | |
| KETF(-B) | — | — | ○*2 | ○*2 | ○*2 | | |
| Ceiling | | — | — | ○ | ○ | ○ | |
| Floor | | — | — | ○*3 | ○*3 | ○*3 | |

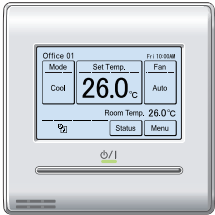
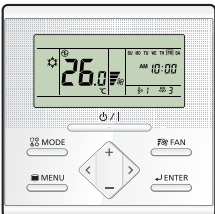

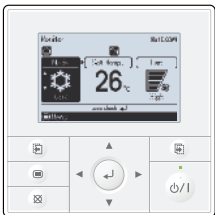
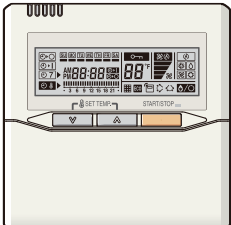
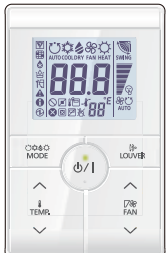
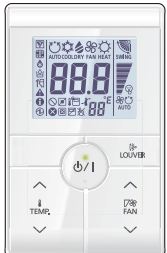
| Indoor unit type | | Type | | | | | |
|-----------------------------|-------------|---|-----------|--------------------------|----------|----------|-----|
| | | IR Receiver Kit with Wireless Remote Controller | | Simple Remote Controller | | | |
| | | UTY-LBTYM | UTY-LBTYH | UTY-RSNYM | UTY-RSRY | UTY-RHRY | |
| Compact cassette | | — | — | ○ | ○ | ○ | |
| Mini duct | | ○ | — | ○ | ○ | ○ | |
| Slim duct | | ○ | — | ○ | ○ | ○ | |
| Medium static pressure duct | ARXG22KMLA | ○ | — | ○ | ○ | ○ | |
| | ARXH22KMTAP | ○ | — | — | ○ | ○ | |
| Wall mounted | KGTB | — | — | — | ○*2 | ○*2 | |
| | KGTE | — | — | — | ○*2 | ○*2 | |
| | KGTF | — | — | — | ○*2 | ○*2 | |
| | KMTB | 07-14 model | — | — | ○*1 | — | — |
| | | 18-24 model | — | — | — | ○*2 | ○*2 |
| | KMTE | — | — | — | ○*2 | ○*2 | |
| | KMCC | — | — | ○*1 | — | — | |
| | KMCE | — | — | — | ○*2 | ○*2 | |
| | KMCF | — | — | — | ○*2 | ○*2 | |
| | KETA(-B) | — | — | — | ○*2 | ○*2 | |
| | KETE(-B) | — | — | — | ○*2 | ○*2 | |
| KETF(-B) | — | — | — | ○*2 | ○*2 | | |
| Ceiling | | — | ○ | — | ○ | ○ | |
| Floor | | — | — | — | ○*3 | ○*3 | |





●: Accessory, ○: Optional, —: Not applicable

- *1: Optional Communication Kit (UTY-TWBXF2) is necessary for the installation.

- *2: Optional Communication Kit (UTY-TWRXZ2) is necessary for the installation.
- *3: Optional Communication Kit (UTY-TWRXZ3) is necessary for the installation.

Parts

| Exterior | Part name | Model name | Summary |
|---|---------------------------------|------------|--|
|  | Wired Remote Controller | UTY-RNRYZ* | Easy finger touch operation with LCD panel. Backlit LCD enables easy operation in a dark room. Wire type: Non-polar 2-wire |
|  | Wired Remote Controller | UTY-RLRY | High visibility and easy operation. Room temperature can be accurately controlled using the thermo sensor. Wire type: Non-polar 2-wire |
|  | Compact Wired Remote Controller | UTY-RCRYZ1 | Compact body and easy operation. Room temperature can be accurately controlled using the thermo sensor. Wire type: Non-polar 2-wire |
|  | Wired Remote Controller | UTY-RVNYM | Large and full-dot liquid crystal screen, wide and large keys easy to press, user-intuitive arrow key. Wire type: Polar 3-wire |
|  | Wired Remote Controller | UTY-RNNYM | Room temperature can be controlled by detecting the temperature accurately with thermo sensor. Wire type: Polar 3-wire |
|  | Simple Remote Controller | UTY-RSRY | Compact remote controller concentrates on the basic functions such as Start/Stop, fan control, temperature setting, and operation mode. Wire type: Non-polar 2-wire |
|  | Simple Remote Controller | UTY-RHRY | Compact remote controller concentrates on the basic functions such as Start/Stop, fan control, and temperature setting. Wire type: Non-polar 2-wire |

| Exterior | Part name | Model name | Summary |
|--|---|------------|--|
|  | Simple Remote Controller | UTY-RSNYM | Compact remote controller concentrates on the basic functions such as Start/Stop, fan control, temperature setting, and operation mode. Wire type: Polar 3-wire |
|  | IR Receiver Kit with Wireless Remote Controller | UTY-LBTYM | Unit control is performed by Wireless Remote Controller |
|  | IR Receiver Kit with Wireless Remote Controller | UTY-LBTYH | Unit control is performed by Wireless Remote Controller. |
|  | Wireless Remote Controller | UTY-LNTY | Unit control is performed by Wireless Remote Controller. |

NOTES:

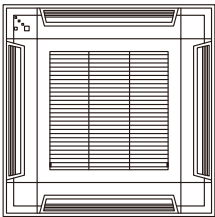
- Available functions may differ by the remote controller. For details, refer to the operation manual.
- When using the group controlling system of the Wired Remote Controller, using WLAN Adapter is prohibited.

17-2. Cassette grille

■ Lineup

| Indoor unit type | Model |
|------------------|------------|
| Compact cassette | UTG-UFYF-W |

■ Part

| Exterior | Part name | Model name | Summary |
|---|-----------------|------------|--|
|  | Cassette Grille | UTG-UFYF-W | This cassette grille can be installed appropriately on the grid type ceiling common in the office. |

17-3. Others

■ Lineup

| Indoor unit type | | Type | | | | |
|-----------------------------|-------------|--------------------------|----------------------------------|----------------------|--------------------|---|
| | | Air Outlet Shutter Plate | Insulation Kit for High Humidity | Fresh Air Intake Kit | Half Concealed Kit | |
| | | UTR-YDZB | UTZ-KXGC | UTZ-VXAA | UTR-STA | |
| Compact cassette | | ○ | ○ | ○ | — | |
| Mini duct | | — | — | — | — | |
| Slim duct | | — | — | — | — | |
| Medium static pressure duct | ARXG22KMLA | — | — | — | — | |
| | ARXH22KMTAP | — | — | — | — | |
| Wall mounted | KGTB | — | — | — | — | |
| | KGTE | — | — | — | — | |
| | KGTF | — | — | — | — | |
| | KMTB | 07-14 model | — | — | — | — |
| | | 18-24 model | — | — | — | — |
| | KMTE | — | — | — | — | |
| | KMCC | — | — | — | — | |
| | KMCE | — | — | — | — | |
| | KMCF | — | — | — | — | |
| | KETA(-B) | — | — | — | — | |
| KETE(-B) | — | — | — | — | | |
| KETF(-B) | — | — | — | — | | |
| Ceiling | | — | — | — | — | |
| Floor | | — | — | — | ○ | |

| Indoor unit type | | Type | | | | |
|-----------------------------|-------------|--------------------------|--------------------|------------|----------------------------|-----|
| | | Auto Louver Grille Kit | Remote Sensor Unit | | External Switch Controller | |
| | | UTD-GXTA-W UTD-GXTB-W | UTY-XSZX | UTY-XSZXZ* | UTY-TERX | |
| Compact cassette | | — | — | — | ○ | |
| Mini duct | | ○ | ○ | ○ | ○ | |
| Slim duct | | ○ | ○ | ○ | ○ | |
| Medium static pressure duct | ARXG22KMLA | — | ○ | ○ | ○ | |
| | ARXH22KMTAP | — | ○ | ○ | ○ | |
| Wall mounted | KGTB | — | — | — | ○*2 | |
| | KGTE | — | — | — | ○*2 | |
| | KGTF | — | — | — | ○*2 | |
| | KMTB | 07-14 model | — | — | — | ○*1 |
| | | 18-24 model | — | — | — | ○*2 |
| | KMTE | — | — | — | ○*2 | |
| | KMCC | — | — | — | ○*1 | |
| | KMCE | — | — | — | ○*2 | |
| | KMCF | — | — | — | ○*2 | |
| | KETA(-B) | — | — | — | ○*2 | |
| | KETE(-B) | — | — | — | ○*2 | |
| KETF(-B) | — | — | — | ○*2 | | |
| Ceiling | | — | — | — | ○ | |
| Floor | | — | — | — | ○*3 | |

| Indoor unit type | | Type | | | | | |
|-----------------------------|-------------|----------------------|------------|------------|-------------------------------|----------|---|
| | | External Connect Kit | | | External Input and Output PCB | | |
| | | UTY-XWZX | UTY-XWZXZ5 | UTY-XWZXZG | UTY-XCSXZ2 | UTY-XCSX | |
| Compact cassette | | — | — | ○ | — | ○ | |
| Mini duct | | — | — | ○ | — | — | |
| Slim duct | | — | — | ○ | — | — | |
| Medium static pressure duct | ARXG22KMLA | — | — | ○ | — | — | |
| | ARXH22KMTAP | — | — | ○ | — | ○ | |
| Wall mounted | KGTB | ○ | — | — | ○ | — | |
| | KGTE | ○ | ○ | — | ○ | — | |
| | KGTF | ○ | ○ | — | ○ | — | |
| | KMTB | 07-14 model | — | ○ | — | — | — |
| | | 18-24 model | — | ○ | — | ○ | — |
| | KMTE | ○ | ○ | — | ○ | — | |
| | KMCC | — | ○ | — | — | — | |
| | KMCE | ○ | ○ | — | ○ | — | |
| | KMCF | ○ | ○ | — | ○ | — | |
| | KETA(-B) | — | ○ | — | ○ | — | |
| | KETE(-B) | ○ | ○ | — | ○ | — | |
| KETF(-B) | ○ | ○ | — | ○ | — | | |
| Ceiling | | — | — | ○ | — | ○ | |
| Floor | | — | ○ | — | — | — | |

| Indoor unit type | | Type | | | | |
|-----------------------------|-------------|---------------|-------------------|----------|------------------|-----------|
| | | KNX Convertor | Network Converter | | Modbus Converter | |
| | | | UTY-VKSX | UTY-VTGX | | UTY-VTGXV |
| Compact cassette | | ○ | ○ | ○ | ○ | |
| Mini duct | | ○ | ○ | ○ | ○ | |
| Slim duct | | ○ | ○ | ○ | ○ | |
| Medium static pressure duct | ARXG22KMLA | ○ | ○ | ○ | ○ | |
| | ARXH22KMTAP | ○ | ○ | ○ | ○ | |
| Wall mounted | KGTB | ○ | ○*2 | ○*2 | ○ | |
| | KGTE | ○ | ○*2 | ○*2 | ○ | |
| | KGTF | ○ | ○*2 | ○*2 | ○ | |
| | KMTB | 07-14 model | ○ | ○*1 | ○*1 | ○ |
| | | 18-24 model | ○ | ○*2 | ○*2 | ○ |
| | KMTE | ○ | ○*2 | ○*2 | ○ | |
| | KMCC | ○ | ○*1 | ○*1 | ○ | |
| | KMCE | ○ | ○*2 | ○*2 | ○ | |
| | KMCF | ○ | ○*2 | ○*2 | ○ | |
| | KETA(-B) | ○ | ○*2 | ○*2 | ○ | |
| KETE(-B) | ○ | ○*2 | ○*2 | ○ | | |
| KETF(-B) | ○ | ○*2 | ○*2 | ○ | | |
| Ceiling | | ○ | ○ | ○ | ○ | |
| Floor | | ○ | ○*3 | ○*3 | ○ | |

| Indoor unit type | | Type | | | | | |
|-----------------------------|-------------|-------------------|------------|------------|---------------------|----------|---|
| | | Communication Kit | | | Air Cleaning Filter | | |
| | | UTY-TWBXF2 | UTY-TWRXZ2 | UTY-TWRXZ3 | UTR-FA16-5 | UTD-HFNB | |
| Compact cassette | | — | — | — | — | — | |
| Mini duct | | — | — | — | — | — | |
| Slim duct | | — | — | — | — | — | |
| Medium static pressure duct | ARXG22KMLA | — | — | — | — | — | |
| | ARXH22KMTAP | — | — | — | — | ○ | |
| Wall mounted | KGTB | — | ○ | — | — | — | |
| | KGTE | — | ○ | — | — | — | |
| | KGTF | — | ○ | — | — | — | |
| | KMTB | 07-14 model | ○ | — | — | — | — |
| | | 18-24 model | — | ○ | — | — | — |
| | KMTE | — | ○ | — | — | — | |
| | KMCC | ○ | — | — | ○ | — | |
| | KMCE | — | ○ | — | ○ | — | |
| | KMCF | — | ○ | — | ○ | — | |
| | KETA(-B) | — | ○ | — | — | — | |
| KETE(-B) | — | ○ | — | — | — | | |
| KETF(-B) | — | ○ | — | — | — | | |
| Ceiling | | — | — | — | — | — | |
| Floor | | — | — | ○ | — | — | |

| Indoor unit type | | Type | | | | |
|-----------------------------|-------------|----------------|------------|------------|------------|---|
| | | WLAN Adapter*4 | | | | |
| | | UTY-TFSXW1 | UTY-TFSXF2 | UTY-TFSXZ1 | UTY-TFSXJ3 | |
| Compact cassette | | — | — | ○ | — | |
| Mini duct | | — | — | ○ | — | |
| Slim duct | | — | — | ○ | — | |
| Medium static pressure duct | ARXG22KMLA | — | — | ○ | — | |
| | ARXH22KMTAP | — | — | ○ | ○ | |
| Wall mounted | KGTB | ○ | — | — | — | |
| | KGTE | — | ○ | — | — | |
| | KGTF | — | — | — | — | |
| | KMTB | 07-14 model | ○ | — | — | — |
| | | 18-24 model | — | ○ | — | — |
| | KMTE | — | ○ | — | — | |
| | KMCC | ○ | — | — | — | |
| | KMCE | — | ○ | — | — | |
| | KMCF | — | — | — | — | |
| | KETA(-B) | — | ○ | — | — | |
| KETE(-B) | — | ○ | — | — | | |
| KETF(-B) | — | — | — | — | | |
| Ceiling | | — | — | ○ | — | |
| Floor | | — | — | ○ | — | |

| Indoor unit type | | Type | | | | |
|-----------------------------|-------------|---------------|--------------|------------------|----------|---|
| | | Square Flange | Round Flange | Long-life Filter | | |
| | | UTD-SF045T | UTD-RF204 | UTD-LF25NA | UTD-LFDB | |
| Compact cassette | | — | — | — | — | |
| Mini duct | | — | — | — | — | |
| Slim duct | | — | — | — | — | |
| Medium static pressure duct | ARXG22KMLA | ○ | ○ | ○ | — | |
| | ARXH22KMTAP | — | — | — | ○ | |
| Wall mounted | KGTB | — | — | — | — | |
| | KGTE | — | — | — | — | |
| | KGTF | — | — | — | — | |
| | KMTB | 07-14 model | — | — | — | — |
| | | 18-24 model | — | — | — | — |
| | KMTE | — | — | — | — | |
| | KMCC | — | — | — | — | |
| | KMCE | — | — | — | — | |
| | KMCF | — | — | — | — | |
| | KETA(-B) | — | — | — | — | |
| KETE(-B) | — | — | — | — | | |
| KETF(-B) | — | — | — | — | | |
| Ceiling | | — | — | — | — | |
| Floor | | — | — | — | — | |


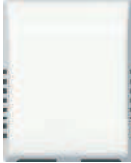


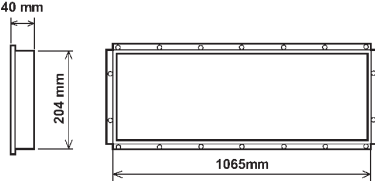
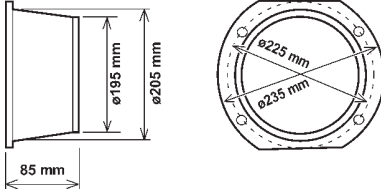
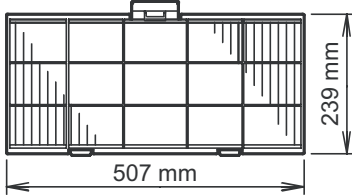
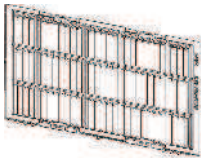
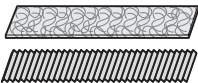
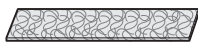
| Indoor unit type | | Type | | | |
|-----------------------------|-------------|-----------------|-----------------------------------|----------|----------|
| | | Drain Pump Unit | External Input and Output PCB Box | | |
| | | | UTZ-PX1NBA | UTZ-GXDA | UTZ-GXEA |
| Compact cassette | | — | — | — | |
| Mini duct | | — | — | — | |
| Slim duct | | — | — | — | |
| Medium static pressure duct | ARXG22KMLA | ○ | — | — | |
| | ARXH22KMTAP | — | ○ | — | |
| Wall mounted | KGTB | — | — | — | |
| | KGTE | — | — | — | |
| | KGTF | — | — | — | |
| | KMTB | 07-14 model | — | — | — |
| | | 18-24 model | — | — | — |
| | KMTE | — | — | — | |
| | KMCC | — | — | — | |
| | KMCE | — | — | — | |
| | KMCF | — | — | — | |
| | KETA(-B) | — | — | — | |
| KETE(-B) | — | — | — | | |
| KETF(-B) | — | — | — | | |
| Ceiling | | — | — | ○ | |
| Floor | | — | — | — | |


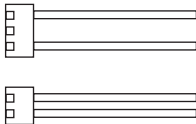
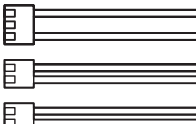
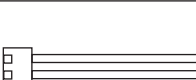


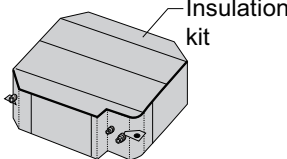
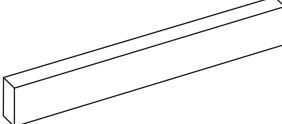

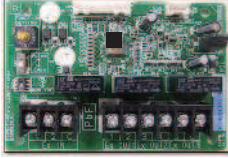

●:Accessory, ○: Optional, —: Not applicable

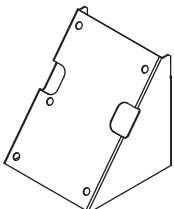
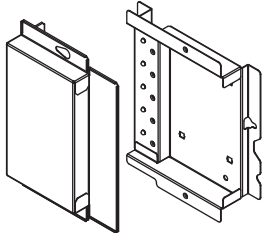
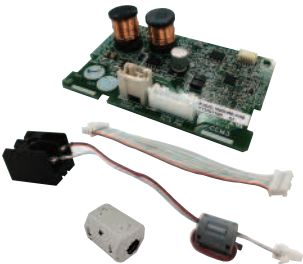
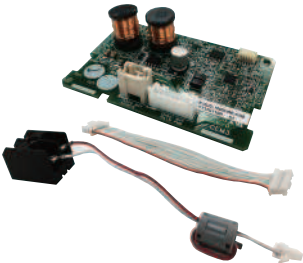




- *1: Optional Communication Kit (UTY-TWBXF2) is necessary for the installation.
- *2: Optional Communication Kit (UTY-TWRXZ2) is necessary for the installation.
- *3: Optional Communication Kit (UTY-TWRXZ3) is necessary for the installation.
- *4: For details of wireless LAN control, refer to “Design & Technical manual” or “Setting manual” of WLAN control system.



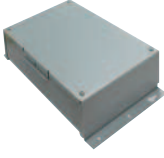

NOTE: Combined use of Modbus Converter, KNX Convertor, and WLAN Adapter is not allowed.

Parts

| Exterior | Part name | Model name | Summary |
|---|------------------------|------------|---|
|  | Remote Sensor Unit | UTY-XSZX | Thermo-sensor for sensing the temperature of arbitrary place in the room. |
|  | Remote Sensor Unit | UTY-XSZXZ* | Thermo-sensor for sensing the temperature of arbitrary place in the room. |
|  | Auto Louver Grille Kit | UTD-GXTA-W | Width: 683 mm For 07, 09, 12, and 14 models |
|  | Auto Louver Grille Kit | UTD-GXTB-W | Width: 883 mm For 18 model |
|  | Square Flange | UTD-SF045T | Both the Square Flange and the Round Flange can be selected. |
|  | Round Flange | UTD-RF204 | Round Flange is used when the fresh-air duct is installed. |
|  | Long-life Filter | UTD-LF25NA | Long-life Filter can be mounted to the indoor unit. |
|  | Long-life Filter | UTD-LFDB | Long-life Filter can be mounted to the indoor unit. |
|  | Air Cleaning Filter | UTR-FA16-5 | Air Cleaning Filter can be mounted to the indoor unit. |
|  | Air Cleaning Filter | UTD-HFNB | Air Cleaning Filter can be mounted to the indoor unit. |

| Exterior | Part name | Model name | Summary |
|---|----------------------------------|------------|--|
|  | Drain Pump Unit | UTZ-PX1NBA | Optional drain lift up mechanism allows more flexible installation. |
|  | External Connect Kit | UTY-XWZX | Use to connect with various peripheral devices and air conditioner PCB. |
|  | External Connect Kit | UTY-XWZXZ5 | Required when external device is connected. |
|  | External Connect Kit | UTY-XWZXZG | Use to connect with various peripheral devices and air conditioner PCB. For control output port. |
|  | Air Outlet Shutter Plate | UTR-YDZB | Installed at the air outlet when 3-directions mode is performed. |
|  | Fresh Air Intake Kit | UTZ-VXAA | By attaching Fresh Air Intake Kit to the indoor unit, it can be taken in fresh air of up to 10% of "high" air volume of the indoor unit. |
|  | Insulation Kit for High Humidity | UTZ-KXGC | Install when the under-roof condition is expected to be the humidity of over 80% and the temperature of over 30 °C. |
|  | Half Concealed Kit | UTR-STA | Used for the indoor unit installing of half concealed. |
|  | Communication Kit | UTY-TWBXF2 | Use to connect with optional devices and air conditioner PCB. |
|  | External Input and Output PCB | UTY-XCSX | Use to connect with external devices and air conditioner PCB. Optional External Connect Kit is necessary for installation. |
|  | External Input and Output PCB | UTY-XCSXZ2 | Use to connect with external devices and air conditioner PCB. Optional External Connect Kit is necessary for installation. |

| Exterior | Part name | Model name | Summary |
|---|-----------------------------------|--------------------------|--|
|  | External Input and Output PCB Box | UTZ-GXDA | For installing the External input and output PCB. |
|  | External Input and Output PCB Box | UTZ-GXEA | For installing the External input and output PCB. For Ceiling type |
|  | Communication Kit | UTY-TWRXZ3 | Use to connect Non-polar 2-core wired remote controller. |
|  | Communication Kit | UTY-TWRXZ2 | Use to connect Non-polar 2-core wired remote controller. |
|  | WLAN Adapter | UTY-TFSXZ1 UTY-TFSXJ3 | Remotely manage an air conditioning system using mobile devices such as smartphones and tablets. For connection indoor unit with UART interface. Appropriate application for each region is required to use this option. For details, contact FGL sales company. |
|  | WLAN Adapter | UTY-TFSXW1 | Remotely manage an air conditioning system using mobile devices such as smartphones and tablets. Appropriate application for each region is required to use this option. For details, contact FGL sales company. |
|  | WLAN Adapter | UTY-TFSXF2 | Remotely manage an air conditioning system using mobile devices such as smartphones and tablets. Appropriate application for each region is required to use this option. For details, contact FGL sales company. |
|  | Modbus Converter | UTY-VMSX | For connection between indoor unit with UART interface and a Modbus open network. |

| Exterior | Part name | Model name | Summary |
|---|-------------------------------------|------------|---|
|  | KNX Converter | UTY-VKSX | For connection between indoor unit with UART interface and a KNX open network. |
|  | Network Converter | UTY-VTGX | This converter is required when connecting single split system to VRF network system. |
|  | Network Converter (AC power supply) | UTY-VTGXV | This converter is required when connecting single split system to VRF network system. |
|  | External Switch Controller | UTY-TERX | Air conditioner switching can be controlled by connecting other external sensor switches. |

18. Indoor unit installation precautions

NOTE: The information listed below are general precautions.
Some models also include items that do not apply.

18-1. Places where prohibited for use

- Places where there is a danger of combustible gas leakage.
- Places where sulfur gas, chlorine gas, acid, alkali, or other matter which effects equipment is generated.
- Places where there is a lot of oil splash and steam such as kitchen or machinery room.
- Places where machinery which generates high frequencies is used.
- Ocean beaches and other areas where there is a lot of salt.
- Places where carbon fibers or any kind of powder suspended in the air.
- Inside of vehicles, ships, and other conveyances.
- Places where voltage fluctuations are large such as a factory.

18-2. Points to remember when installing

- The product shall be installed at a place which can withstand the weight and vibration of the indoor.
- To allow maintenance after refrigerant piping, drain piping, and the connection/installation of electric wiring, provide an maintenance space and an inspection port, as required.
Maintenance space is shown on "[Dimensions](#)" on page 35.
- Be careful when installing the unit at the following places.

| Condition | Contents | Countermeasures (Reference) |
|---|--|---|
| When the ceiling is high. | If the indoor unit is installed where the installation height given in the installation manual is exceeded, the temperature difference between the floor and ceiling of the room will be large and the heating effect will be poor. Moreover, even if the indoor unit is installed within the installation height, a similar phenomena will occur when installed in a room in which the doors are opened and closed frequently and hot air circulation is obstructed by furniture such as desks or chairs. | <ol style="list-style-type: none"> 1. Switch the setting to the high ceiling mode. 2. Install a circulator. 3. Arrange the furniture in the room so that it does not obstruct the hot air. |
| When lower level directly contacts the outside air. | When the lower level of the room is a semi-open space such as warehouse or parking lot the surface temperature of the flooring will become low and the radiation of cold from the floor will increase. In this case, even if the room temperature is suitable, you may feel the foot level is cold. | |
| When the airflow distribution is poor. | When an indoor unit is installed in a position where the outlet airflow will directly contact people, a draft may be felt. In addition, when there are obstructions in the path of the intake and outlet airflow, the air distribution may become extremely bad. | <ol style="list-style-type: none"> 1. Adjust the louver fins or take other measures matched to the site. 2. Change the indoor unit outlet. |

| Condition | Contents | Countermeasures (Reference) |
|--|--|--|
| When inside the ceiling is high temperature and high humidity. | When the indoor unit is installed where the inside of the ceiling is 30 °C RH80% or greater, the dew point temperature of the outer perimeter may become higher than the cabinet surface temperature and moisture will condense on the surface of the cabinet and water drops may fall inside the room. (" Figure 18-1 Moist air curve ") In addition, the humidity may vary considerably the same as when the inside of the ceiling is close to hermetically sealed and used as the outside air intake path. | <ol style="list-style-type: none"> 1. Add heat insulating material to the outside of the indoor unit cabinet. *Regarding the cassette type, use of optional High humidity correspondence kit is recommended. 2. Strengthen the heat insulating material of the refrigerant pipe and drain pipe too. ("Figure 18-2 Work method when reinforcing the heat insulation of on-site piping") 3. When the humidity inside the ceiling changes considerably, install a ventilation port. |
| When using an external duct. | When using an external duct to take in new fresh air, etc., condensation may form on the surface of the duct due to the effect of the outside air temperature and the humidity inside the ceiling. | Always perform heat insulation processing. (Heat insulating material: Glass wool 25 mm thick or more.) |
| When the remote controller installation site is bad. | If the cold or warm air blown out from the air conditioner directly contacts the thermostat section of the remote controller, the outlet temperature of the air conditioner may be sensed and room temperature control will be different from the room temperature, and "not cooled" or "not heated" or other trouble may occur. In addition, there is the possibility that the same kind of trouble may also occur when the remote controller is effected by direct sunlight. | <ol style="list-style-type: none"> 1. Install the remote controller where it will not be directly exposed to the cold or hot air. 2. Install the remote controller where it will not be directly exposed to sunlight or strong lighting. |
| When installation environment is quiet. | When the wall mounted type was installed in a bedroom, living room, or other quiet place, the sound of the refrigerant flow may be sensed as noise and must be taken into account. | <ol style="list-style-type: none"> 1. Plan installation of a model with external expansion valve. 2. Plan installation of a branch box farther from indoor unit. 3. Plan installation using another air conditioner. |
| When installing duct type in ceiling chamber system. | In the case of the ceiling chamber system (duct is not installed at indoor unit inlet side and room air is sucked into the indoor unit through the inside of the ceiling), the thermistor inside the indoor unit may not correctly detect the room temperature. <ul style="list-style-type: none"> • Heating operation: Room is not heated because the indoor unit is easily turned off by the thermostat. • Cooling operation: Room is too cold because the indoor unit is difficult to turn off by the thermostat. | Replace the indoor unit thermistor with optional remote sensor unit, and install the sensor where the room temperature can be correctly detected. |
| When the outlet air is sucked in at duct type. | Cooling operation does not cool the room and heating operation does not heat the room because the short circuited indoor unit is not turned on by the thermostat. | <ol style="list-style-type: none"> 1. Reconsider the ventilation port construction. 2. Replace the indoor unit thermistor with optional Remote sensor unit, and install the sensor where the room temperature can be correctly detected. |
| When using the wireless remote controller. | Signals may not be received when using it in a room illuminated by an inverter fluorescent lamp. | Turn on the fluorescent lamp and check if the indoor unit receives the signals from the remote controller. If the indoor unit does not receive the signals, consult an authorized service personnel. |
| When installing the inverter type. | It may generate noise in TV sets, stereos and PCs. | The inverter type should be installed at a sufficient distance from these equipments. |

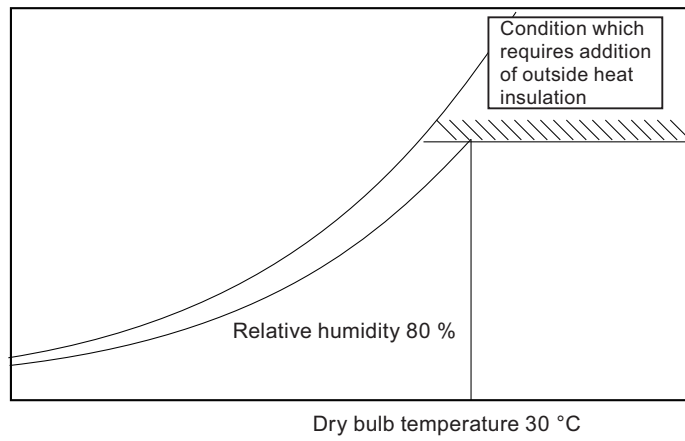


Figure 18-1 **Moist air curve**

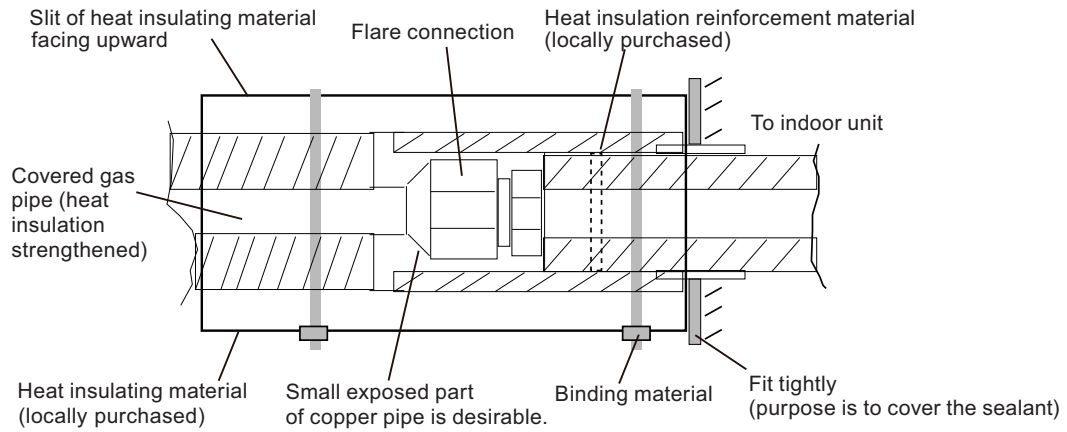


Figure 18-2 **Work method when reinforcing the heat insulation of on-site piping**

Part 2. OUTDOOR UNIT (4 UNITS TYPE)

**MULTI-SPLIT TYPE:
AOYG30KBTA4**

1. Specifications

| Type | | | Inverter heat pump | | |
|-------------------------------------|---|-----------|---|--|--------------|
| Model name | | | AOYG30KBTA4 | | |
| Power source | | | 230 V 50 Hz | | |
| Available voltage range | | | 198—264V | | |
| Standard combination of indoor unit | | | Wall mounted ASYG07KMCC ×4 | | |
| Capacity | Cooling | Rated | kW | 8.0 | |
| | | | Btu/h | 27,300 | |
| | | Min.—Max. | kW | 2.4—10.1 | |
| | | | | Btu/h | 8,200—34,500 |
| | Heating | Rated | kW | 9.6 | |
| | | | Btu/h | 32,800 | |
| Min.—Max. | | kW | 3.0—11.2 | | |
| | | | Btu/h | 10,200—38,100 | |
| Input power | Cooling | Rated | kW | 2.05 | |
| | | Max. | | 3.25 | |
| | Heating | Rated | | 2.11 | |
| | | Max. | | 2.95 | |
| Current | Cooling | Rated | A | 9.1 | |
| | Heating | Rated | | 9.4 | |
| EER | Cooling | | kW/kW | 3.9 | |
| COP | Heating | | | 4.55 | |
| Starting current | | | A | 9.4 | |
| Maximum operating current *1 | | | A | 18.5 | |
| Fan | Type × Qty | | Propeller × 1 | | |
| | Airflow rate | Cooling | m ³ /h | 2,400 | |
| | | Heating | | 2,950 | |
| | Motor output | | W | 49 | |
| Sound pressure level *2 | Cooling | | dB (A) | 50 | |
| | Heating | | | 54 | |
| Heat exchanger | Dimension (H × W × D) | | mm | Main1: 840 × 881 × 18.19 Main2: 840 × 851 × 18.19 | |
| | Fin pitch | | | 1.3 | |
| | Rows × Stages | | Main1: 1 × 40 Main2: 1 × 40 | | |
| | Pipe type (Material) | | Copper tube | | |
| | Fin type (Material) | | Aluminum | | |
| Compressor | Type × Quantity | | DC twin rotary × 1 | | |
| | Motor output | | W | 1,450 | |
| Refrigerant | Type | | R32 (675) | | |
| | Charge | | g | 2,200 | |
| Refrigerant oil | Type | | RmM68AF | | |
| | Amount | | cm ³ | 800 | |
| Enclosure | Material | | Steel sheet | | |
| | Color | | Beige (Approximate color of Munsell 10YR 7.5/1.0 NN) | | |
| Dimensions (H × W × D) | Net | | mm | 884 × 820 × 315 | |
| | Gross | | | 1,058 × 1,027 × 445 | |
| Weight | Net | | kg | 55 | |
| | Gross | | | 64 | |
| Connection pipe | Size | Liquid | mm (in) | ∅6.35 (∅1/4) × 4 | |
| | | Gas | | ∅9.52 (∅3/8) × 2 + ∅12.7 (∅1/2) × 2 | |
| | Method | | Flare | | |
| | Pre-charge length (Total) | | 40 | | |
| | Maximum length (Total) | | 70 | | |
| | Maximum length (Each) | | 25 | | |
| | Minimum length (Total) | | 15 | | |
| | Minimum length (Each) | | 2.5 | | |
| | Maximum height difference between outdoor unit and each indoor units. | | 15 | | |
| | Maximum height difference between indoor units. | | 10 | | |
| Drain hose | Material | | PP | | |
| | Tip diameter | | mm | ∅13.0 (I.D.), ∅16.0 to ∅16.8 (O.D.) | |
| Operation range | Cooling | | °C | -10 to 46 | |
| | Heating | | | -15 to 24 | |

NOTES:

- Specifications are based on the following conditions:
 - Power source of specifications: 230 V
 - Pipe length: 5 m, Height difference: 0 m [Outdoor unit—Indoor unit]
 - Cooling: Indoor temperature of 27.0 °CDB/19.0 °CWB, and outdoor temperature of 35 °CDB/24.0 °CWB.
 - Heating: Indoor temperature of 20.0 °CDB/15.0 °CWB, and outdoor temperature of 7.0 °CDB/6.0 °CWB.
- *1: Maximum operating current is the total current of the indoor unit and the outdoor unit.
- *2: Sound pressure level
 - Measured values in manufacturer's anechoic chamber.
 - Because of the surrounding sound environment, the sound levels measured in actual installation conditions might be higher than the specified values here.
- For other combination, refer to the combination table.
- The protective function might work when using it outside the operation range.
- This data is based on EN 14511 standard.

| Specifications for ErP Lot10 | | | |
|------------------------------|-------------------|------------|--------------|
| Model name | | AOYG30KBT4 | |
| Energy efficiency class | Cooling | A+++ | |
| | Heating (Average) | A++ | |
| Pdesign | Cooling | kW | 8.0 (35 °C) |
| | Heating (Average) | | 6.5 (-10 °C) |
| SEER | Cooling | kWh/kWh | 8.50 |
| SCOP | Heating (Average) | | 4.60 |
| Annual energy consumption | QCE | kWh/a | 329 |
| | QHE (Average) | | 1,978 |
| Sound power level | Cooling | HIGH | dB (A) |
| | Heating | | |

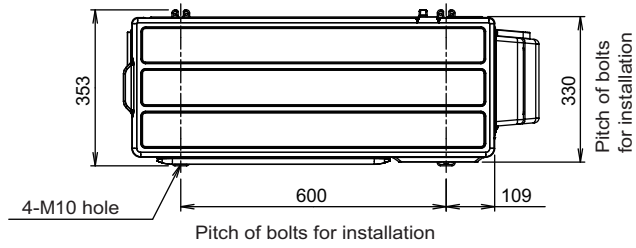
2. Dimensions

2-1. Model: AOYG30KBTA4

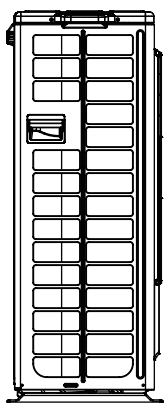
Unit: mm

OUTDOOR UNIT
AOYG30KBTA4

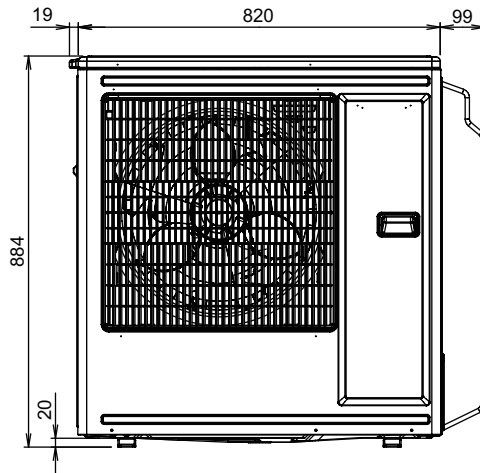
OUTDOOR UNIT
AOYG30KBTA4



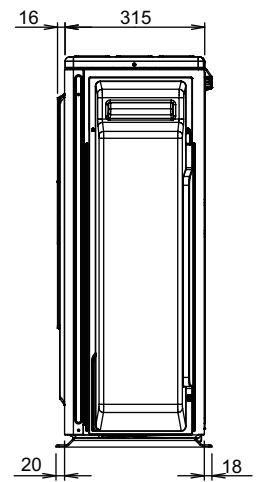
Top view



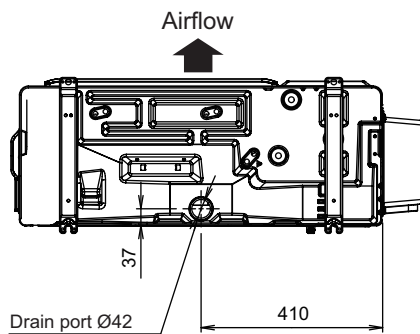
Side view



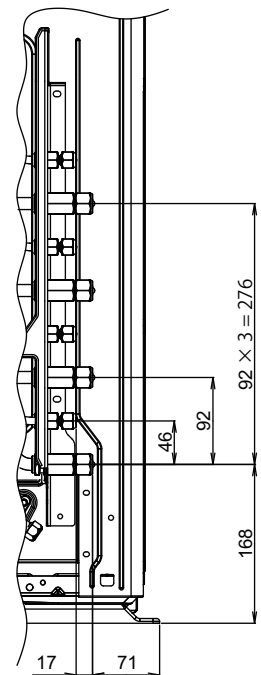
Front view



Side view



Bottom view



Side view (Valve part)

3. Installation space

3-1. Model: AOYG30KBTA4

■ Space requirement

Provide sufficient installation space for product safety.

⚠ CAUTION

Keep the space shown in the installation examples.

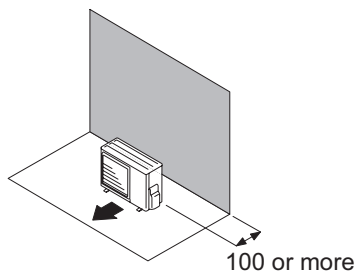
If the installation is not performed accordingly, it could cause a short circuit and result in a lack of operating performance.

● Single outdoor unit installation

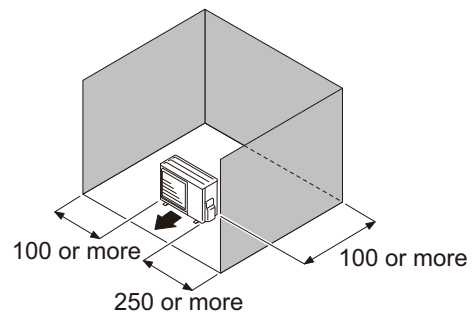
- When the upper space is open:

Unit: mm

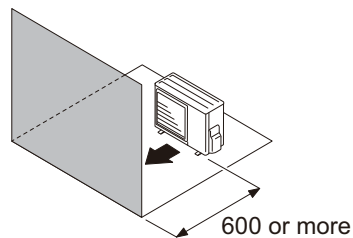
Obstacles at rear only



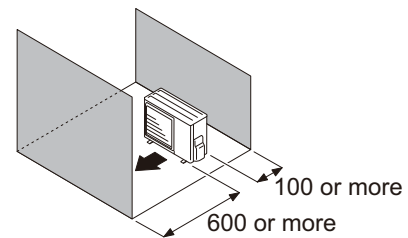
Obstacles at rear and sides



Obstacles at front



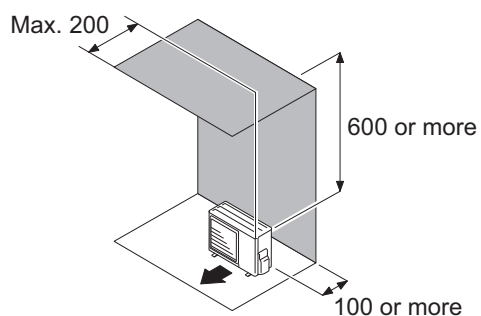
Obstacles at front and rear



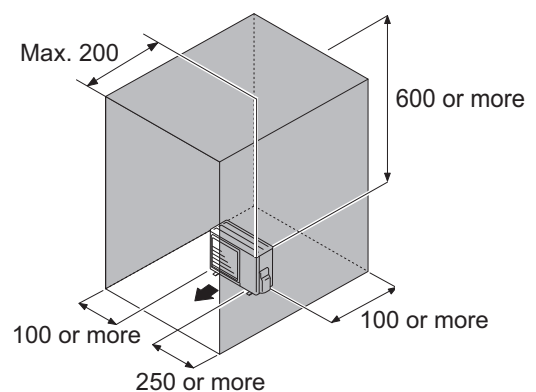
- When an obstruction in the upper space:

Unit: mm

Obstacles at rear and above



Obstacles at rear, sides, and above



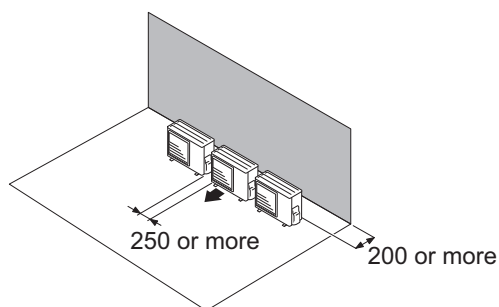
● Multiple outdoor unit installation

- Provide at least 250 mm of space between the outdoor units if multiple units are installed.
- When routing the piping from the side of an outdoor unit, provide space for piping.
- No more than 3 units must be installed side by side.
When 4 units or more are arranged in a line, provide the space as shown in the following example **“When an obstruction in the upper space:”**.

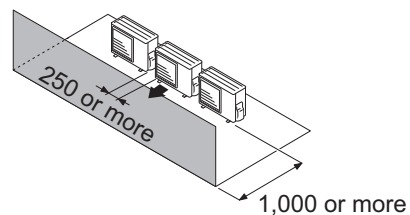
- **When the upper space is open:**

Unit: mm

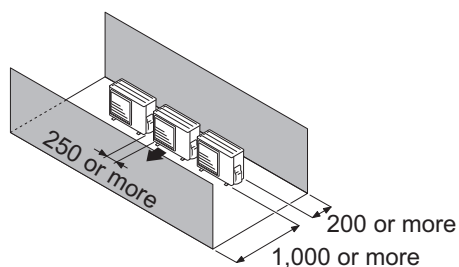
Obstacles at rear only



Obstacles at front only



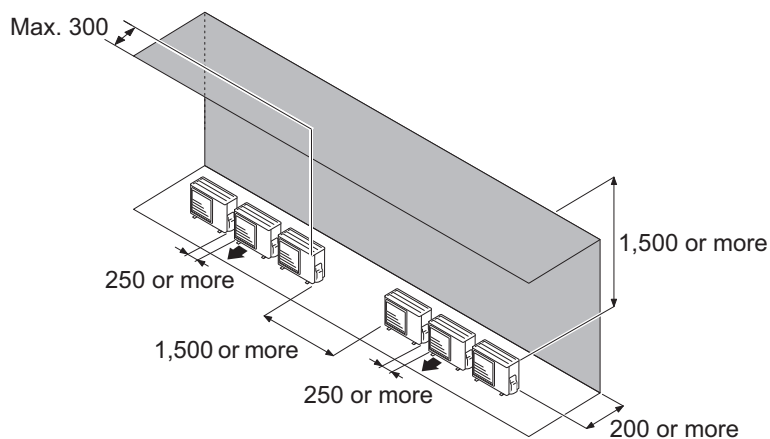
Obstacles at front and rear



- **When an obstruction in the upper space:**

Unit: mm

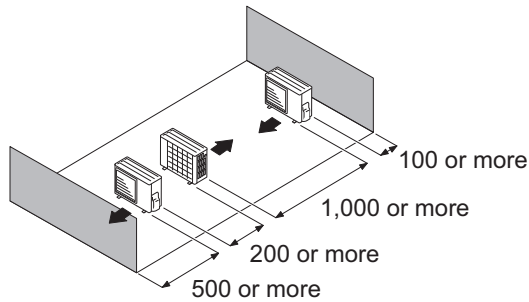
Obstacles at rear and above.



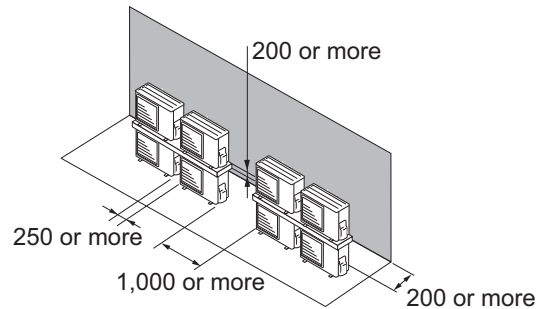
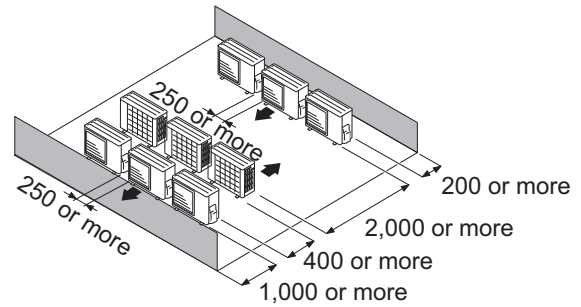
● Outdoor units installation in multi-row

Unit: mm

Single parallel unit arrangement



Multiple parallel unit arrangement

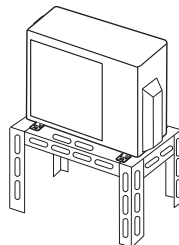


NOTES:

- If the space is larger than stated above, the condition will be the same as when there is no obstacle.
- When installing the outdoor unit, be sure to open the front and left side to obtain better operation efficiency.

⚠ CAUTION

- Do not install the outdoor unit in two-stage where the drain water could freeze. Otherwise the drainage from the upper unit may form ice and cause a malfunction of the lower unit.
- When the outdoor temperature is 0 °C or less, do not use the accessory drain pipe and drain cap. If the drain pipe and drain cap are used, the drain water in the pipe may freeze in extremely cold climate. (For reverse cycle model only.)
- In area with heavy snowfall, if the inlet and outlet of the outdoor unit is blocked with snow, it might become difficult to get warm, and it is likely to cause product malfunction. Construct a canopy and a pedestal, or place the unit on a high stand that is locally installed.

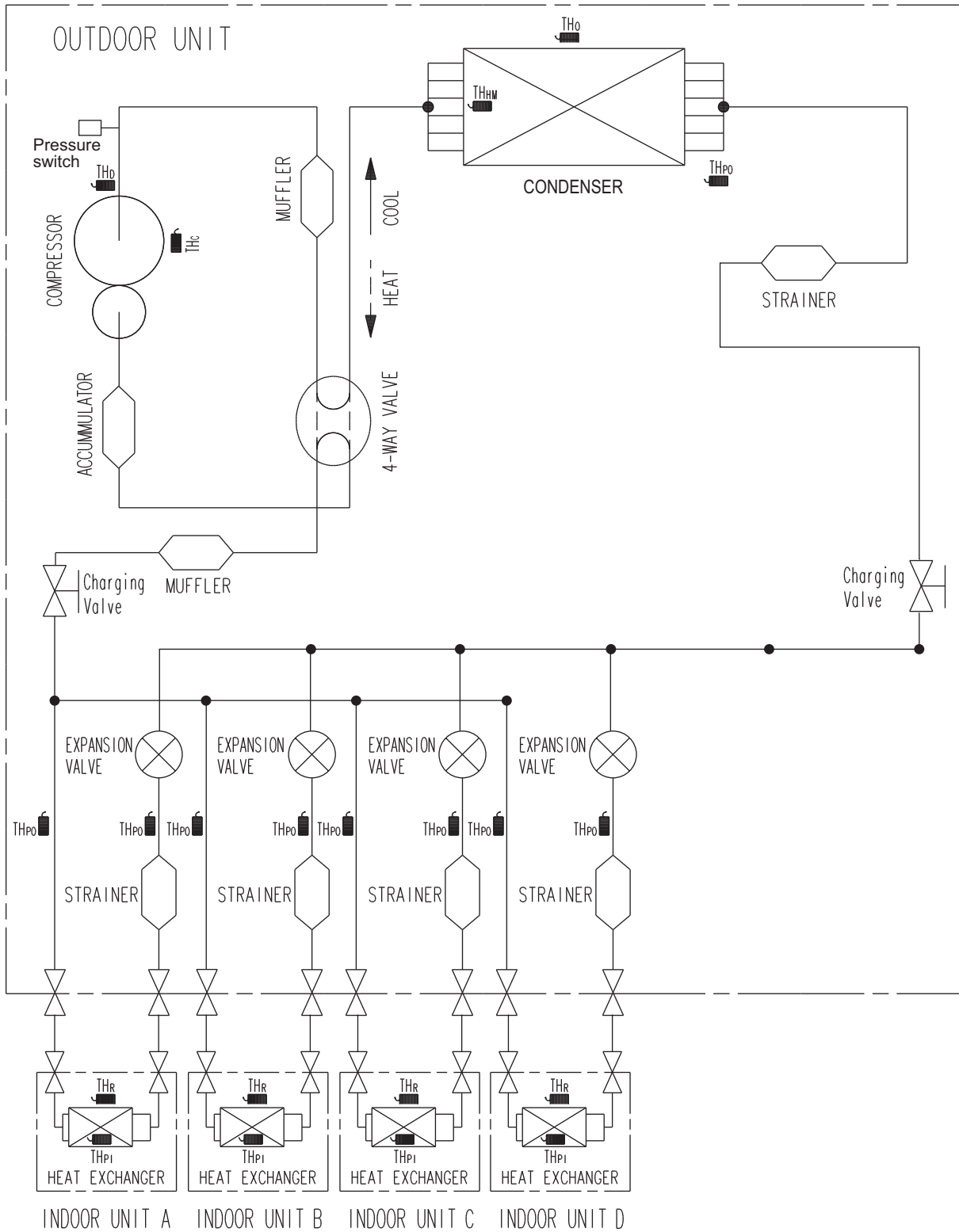


4. Refrigerant circuit

4-1. Model: AOYG30KBTA4

OUTDOOR UNIT
AOYG30KBTA4

OUTDOOR UNIT
AOYG30KBTA4



TH_o : THERMISTOR(DISCHARGE TEMP.)
 TH_o : THERMISTOR(OUTDOOR TEMP.)
 TH_{po} : THERMISTOR(PIPE TEMP.)
 TH_c : THERMISTOR(COMPRESSOR TEMP.)

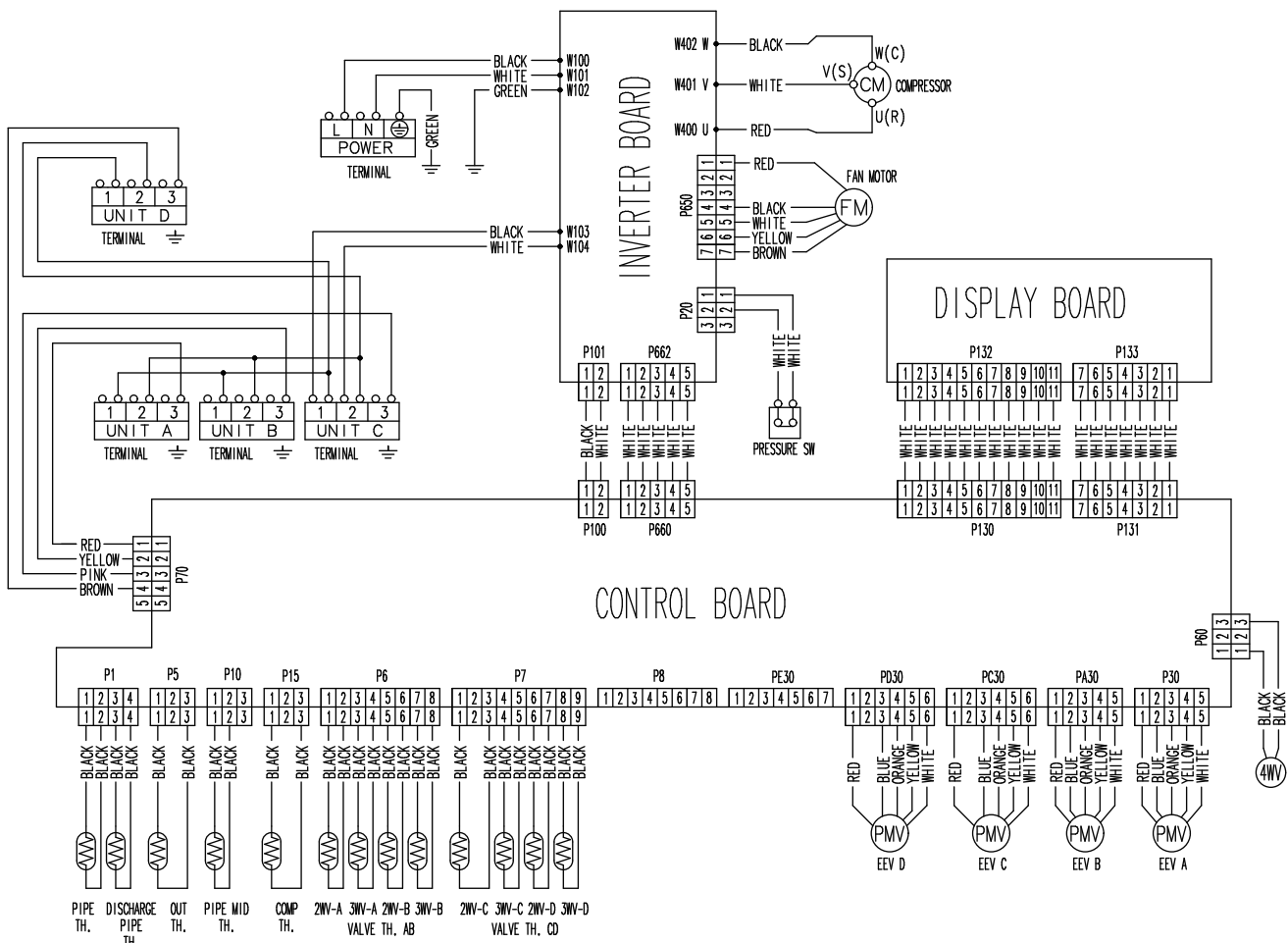
TH_r : THERMISTOR(ROOM TEMP.)
 TH_{p1} : THERMISTOR(PIPE TEMP.)
 TH_{HM} : THERMISTOR(HEAT EXCHANGER MIDDLE TEMP.)

5. Wiring diagram

5-1. Model: AOYG30KBTA4

OUTDOOR UNIT
AOYG30KBTA4

OUTDOOR UNIT
AOYG30KBTA4



OUTDOOR UNIT
AOYG30KBT4

OUTDOOR UNIT
AOYG30KBT4

| Combination of indoor unit | | | | | Rated capacity for each indoor unit (kW) | | | | Total capacity (kW) | | | Input power (kW) | | | EER (W/W) | Seasonal data | | |
|----------------------------|----|----|----|-------|--|------|------|------|---------------------|-------|------|------------------|-------|------|-----------|---------------|----------------|-------------------------|
| Room | | | | Total | Room | | | | Min. | Rated | Max. | Min. | Rated | Max. | | Pdesign (kW) | SEER (kWh/kWh) | Energy efficiency class |
| 1 | 2 | 3 | 4 | | 2 | 3 | 4 | 4 | | | | | | | | | | |
| 7 | 7 | 9 | 18 | 41 | 1.37 | 1.37 | 1.76 | 3.50 | 2.4 | 8.00 | 10.1 | 0.45 | 2.05 | 3.25 | 3.90 | 8.0 | 8.5 | A+++ |
| 7 | 7 | 12 | 12 | 38 | 1.47 | 1.47 | 2.53 | 2.53 | 2.4 | 8.00 | 10.1 | 0.45 | 2.05 | 3.25 | 3.90 | 8.0 | 8.5 | A+++ |
| 7 | 7 | 12 | 14 | 40 | 1.40 | 1.40 | 2.40 | 2.80 | 2.4 | 8.00 | 10.1 | 0.45 | 2.05 | 3.25 | 3.90 | 8.0 | 8.5 | A+++ |
| 7 | 7 | 12 | 18 | 44 | 1.27 | 1.27 | 2.18 | 3.28 | 2.4 | 8.00 | 10.1 | 0.45 | 2.05 | 3.25 | 3.90 | 8.0 | 8.5 | A+++ |
| 7 | 7 | 14 | 14 | 42 | 1.33 | 1.33 | 2.67 | 2.67 | 2.4 | 8.00 | 10.1 | 0.45 | 2.05 | 3.25 | 3.90 | 8.0 | 8.5 | A+++ |
| 7 | 7 | 14 | 18 | 46 | 1.22 | 1.22 | 2.43 | 3.13 | 2.4 | 8.00 | 10.1 | 0.45 | 2.05 | 3.25 | 3.90 | 8.0 | 8.5 | A+++ |
| 7 | 9 | 9 | 9 | 34 | 1.64 | 2.12 | 2.12 | 2.12 | 2.4 | 8.00 | 10.1 | 0.45 | 2.05 | 3.25 | 3.90 | 8.0 | 8.5 | A+++ |
| 7 | 9 | 9 | 12 | 37 | 1.51 | 1.95 | 1.95 | 2.59 | 2.4 | 8.00 | 10.1 | 0.45 | 2.05 | 3.25 | 3.90 | 8.0 | 8.5 | A+++ |
| 7 | 9 | 9 | 14 | 39 | 1.43 | 1.85 | 1.85 | 2.87 | 2.4 | 8.00 | 10.1 | 0.45 | 2.05 | 3.25 | 3.90 | 8.0 | 8.5 | A+++ |
| 7 | 9 | 9 | 18 | 43 | 1.30 | 1.67 | 1.67 | 3.36 | 2.4 | 8.00 | 10.1 | 0.45 | 2.05 | 3.25 | 3.90 | 8.0 | 8.5 | A+++ |
| 7 | 9 | 12 | 12 | 40 | 1.40 | 1.80 | 2.40 | 2.40 | 2.4 | 8.00 | 10.1 | 0.45 | 2.05 | 3.25 | 3.90 | 8.0 | 8.5 | A+++ |
| 7 | 9 | 12 | 14 | 42 | 1.33 | 1.71 | 2.29 | 2.67 | 2.4 | 8.00 | 10.1 | 0.45 | 2.05 | 3.25 | 3.90 | 8.0 | 8.5 | A+++ |
| 7 | 9 | 12 | 18 | 46 | 1.21 | 1.57 | 2.09 | 3.13 | 2.4 | 8.00 | 10.1 | 0.45 | 2.05 | 3.25 | 3.90 | 8.0 | 8.5 | A+++ |
| 7 | 9 | 14 | 14 | 44 | 1.26 | 1.64 | 2.55 | 2.55 | 2.4 | 8.00 | 10.1 | 0.45 | 2.05 | 3.25 | 3.90 | 8.0 | 8.5 | A+++ |
| 7 | 9 | 14 | 18 | 48 | 1.17 | 1.50 | 2.33 | 3.00 | 2.4 | 8.00 | 10.1 | 0.45 | 2.05 | 3.25 | 3.90 | 8.0 | 8.5 | A+++ |
| 7 | 12 | 12 | 12 | 43 | 1.31 | 2.23 | 2.23 | 2.23 | 2.4 | 8.00 | 10.1 | 0.45 | 2.05 | 3.25 | 3.90 | 8.0 | 8.5 | A+++ |
| 7 | 12 | 12 | 14 | 45 | 1.24 | 2.13 | 2.13 | 2.50 | 2.4 | 8.00 | 10.1 | 0.45 | 2.05 | 3.25 | 3.90 | 8.0 | 8.5 | A+++ |
| 7 | 12 | 12 | 18 | 49 | 1.14 | 1.96 | 1.96 | 2.94 | 2.4 | 8.00 | 10.1 | 0.45 | 2.05 | 3.25 | 3.90 | 8.0 | 8.5 | A+++ |
| 7 | 12 | 14 | 14 | 47 | 1.19 | 2.05 | 2.38 | 2.38 | 2.4 | 8.00 | 10.1 | 0.45 | 2.05 | 3.25 | 3.90 | 8.0 | 8.5 | A+++ |
| 9 | 9 | 9 | 9 | 36 | 2.00 | 2.00 | 2.00 | 2.00 | 2.4 | 8.00 | 10.1 | 0.45 | 2.05 | 3.25 | 3.90 | 8.0 | 8.5 | A+++ |
| 9 | 9 | 9 | 12 | 39 | 1.85 | 1.85 | 1.85 | 2.45 | 2.4 | 8.00 | 10.1 | 0.45 | 2.05 | 3.25 | 3.90 | 8.0 | 8.5 | A+++ |
| 9 | 9 | 9 | 14 | 41 | 1.76 | 1.76 | 1.76 | 2.72 | 2.4 | 8.00 | 10.1 | 0.45 | 2.05 | 3.25 | 3.90 | 8.0 | 8.5 | A+++ |
| 9 | 9 | 9 | 18 | 45 | 1.60 | 1.60 | 1.60 | 3.20 | 2.4 | 8.00 | 10.1 | 0.45 | 2.05 | 3.25 | 3.90 | 8.0 | 8.5 | A+++ |
| 9 | 9 | 12 | 12 | 42 | 1.71 | 1.71 | 2.29 | 2.29 | 2.4 | 8.00 | 10.1 | 0.45 | 2.05 | 3.25 | 3.90 | 8.0 | 8.5 | A+++ |
| 9 | 9 | 12 | 14 | 44 | 1.64 | 1.64 | 2.18 | 2.54 | 2.4 | 8.00 | 10.1 | 0.45 | 2.05 | 3.25 | 3.90 | 8.0 | 8.5 | A+++ |
| 9 | 9 | 12 | 18 | 48 | 1.50 | 1.50 | 2.00 | 3.00 | 2.4 | 8.00 | 10.1 | 0.45 | 2.05 | 3.25 | 3.90 | 8.0 | 8.5 | A+++ |
| 9 | 9 | 14 | 14 | 46 | 1.57 | 1.57 | 2.43 | 2.43 | 2.4 | 8.00 | 10.1 | 0.45 | 2.05 | 3.25 | 3.90 | 8.0 | 8.5 | A+++ |
| 9 | 12 | 12 | 12 | 45 | 1.61 | 2.13 | 2.13 | 2.13 | 2.4 | 8.00 | 10.1 | 0.45 | 2.05 | 3.25 | 3.90 | 8.0 | 8.5 | A+++ |
| 9 | 12 | 12 | 14 | 47 | 1.53 | 2.04 | 2.04 | 2.39 | 2.4 | 8.00 | 10.1 | 0.45 | 2.05 | 3.25 | 3.90 | 8.0 | 8.5 | A+++ |
| 9 | 12 | 14 | 14 | 49 | 1.46 | 1.96 | 2.29 | 2.29 | 2.4 | 8.00 | 10.1 | 0.45 | 2.05 | 3.25 | 3.90 | 8.0 | 8.5 | A+++ |
| 12 | 12 | 12 | 12 | 48 | 2.00 | 2.00 | 2.00 | 2.00 | 2.4 | 8.00 | 10.1 | 0.45 | 2.05 | 3.25 | 3.90 | 8.0 | 8.5 | A+++ |

NOTES:

- 7: 7,000 Btu/h, 9: 9,000 Btu/h, 12: 12,000 Btu/h, 14: 14,000 Btu/h, 18: 18,000 Btu/h, 22: 22,000 Btu/h, 24: 24,000 Btu/h
- Values mentioned in the table are based on the following conditions:
 - Power source of specifications: 230 V
 - Pipe length: 5 m, Height difference: 0 m (Outdoor unit—Indoor unit)
 - Cooling: Indoor temperature of 27 °CDB/19 °CWB, and outdoor temperature of 35 °CDB.
- 2 or more indoor units should be connected.
- The total ability of connected a indoor unit is from 25,000 Btu up to 49,000 Btu.

| Combination of indoor unit | | | | | Rated capacity for each indoor unit (kW) | | | | Total capacity (kW) | | | Input power (kW) | | | COP (W/W) | Seasonal data | | |
|----------------------------|----|----|----|-------|--|------|------|------|---------------------|-------|------|------------------|-------|------|-----------|---------------|----------------|-------------------------|
| Room | | | | Total | Room | | | | Min. | Rated | Max. | Min. | Rated | Max. | | Pdesign (kW) | SCOP (kWh/kWh) | Energy efficiency class |
| 1 | 2 | 3 | 4 | | 1 | 2 | 3 | 4 | | | | | | | | | | |
| 7 | 9 | 14 | 14 | 44 | 1.54 | 1.96 | 3.05 | 3.05 | 3.0 | 9.60 | 11.2 | 0.30 | 2.11 | 2.95 | 4.55 | 6.5 | 4.6 | A++ |
| 7 | 9 | 14 | 18 | 48 | 1.40 | 1.80 | 2.80 | 3.60 | 3.0 | 9.60 | 11.2 | 0.30 | 2.11 | 2.95 | 4.55 | 6.5 | 4.6 | A++ |
| 7 | 12 | 12 | 12 | 43 | 1.56 | 2.68 | 2.68 | 2.68 | 3.0 | 9.60 | 11.2 | 0.30 | 2.11 | 2.95 | 4.55 | 6.5 | 4.6 | A++ |
| 7 | 12 | 12 | 14 | 45 | 1.49 | 2.56 | 2.56 | 2.99 | 3.0 | 9.60 | 11.2 | 0.30 | 2.11 | 2.95 | 4.55 | 6.5 | 4.6 | A++ |
| 7 | 12 | 12 | 18 | 49 | 1.37 | 2.35 | 2.35 | 3.53 | 3.0 | 9.60 | 11.2 | 0.30 | 2.11 | 2.95 | 4.55 | 6.5 | 4.6 | A++ |
| 7 | 12 | 14 | 14 | 47 | 1.43 | 2.45 | 2.86 | 2.86 | 3.0 | 9.60 | 11.2 | 0.30 | 2.11 | 2.95 | 4.55 | 6.5 | 4.6 | A++ |
| 9 | 9 | 9 | 9 | 36 | 2.40 | 2.40 | 2.40 | 2.40 | 3.0 | 9.60 | 11.2 | 0.30 | 2.11 | 2.95 | 4.55 | 6.5 | 4.6 | A++ |
| 9 | 9 | 9 | 12 | 39 | 2.22 | 2.22 | 2.22 | 2.94 | 3.0 | 9.60 | 11.2 | 0.30 | 2.11 | 2.95 | 4.55 | 6.5 | 4.6 | A++ |
| 9 | 9 | 9 | 14 | 41 | 2.11 | 2.11 | 2.11 | 3.27 | 3.0 | 9.60 | 11.2 | 0.30 | 2.11 | 2.95 | 4.55 | 6.5 | 4.6 | A++ |
| 9 | 9 | 9 | 18 | 45 | 1.92 | 1.92 | 1.92 | 3.84 | 3.0 | 9.60 | 11.2 | 0.30 | 2.11 | 2.95 | 4.55 | 6.5 | 4.6 | A++ |
| 9 | 9 | 12 | 12 | 42 | 2.06 | 2.06 | 2.74 | 2.74 | 3.0 | 9.60 | 11.2 | 0.30 | 2.11 | 2.95 | 4.55 | 6.5 | 4.6 | A++ |
| 9 | 9 | 12 | 14 | 44 | 1.96 | 1.96 | 2.62 | 3.06 | 3.0 | 9.60 | 11.2 | 0.30 | 2.11 | 2.95 | 4.55 | 6.5 | 4.6 | A++ |
| 9 | 9 | 12 | 18 | 48 | 1.80 | 1.80 | 2.40 | 3.60 | 3.0 | 9.60 | 11.2 | 0.30 | 2.11 | 2.95 | 4.55 | 6.5 | 4.6 | A++ |
| 9 | 9 | 14 | 14 | 46 | 1.88 | 1.88 | 2.92 | 2.92 | 3.0 | 9.60 | 11.2 | 0.30 | 2.11 | 2.95 | 4.55 | 6.5 | 4.6 | A++ |
| 9 | 12 | 12 | 12 | 45 | 1.92 | 2.56 | 2.56 | 2.56 | 3.0 | 9.60 | 11.2 | 0.30 | 2.11 | 2.95 | 4.55 | 6.5 | 4.6 | A++ |
| 9 | 12 | 12 | 14 | 47 | 1.84 | 2.45 | 2.45 | 2.86 | 3.0 | 9.60 | 11.2 | 0.30 | 2.11 | 2.95 | 4.55 | 6.5 | 4.6 | A++ |
| 9 | 12 | 14 | 14 | 49 | 1.77 | 2.35 | 2.74 | 2.74 | 3.0 | 9.60 | 11.2 | 0.30 | 2.11 | 2.95 | 4.55 | 6.5 | 4.6 | A++ |
| 12 | 12 | 12 | 12 | 48 | 2.40 | 2.40 | 2.40 | 2.40 | 3.0 | 9.60 | 11.2 | 0.30 | 2.11 | 2.95 | 4.55 | 6.5 | 4.6 | A++ |

NOTES:

- 7: 7,000 Btu/h, 9: 9,000 Btu/h, 12: 12,000 Btu/h, 14: 14,000 Btu/h, 18: 18,000 Btu/h, 22: 22,000 Btu/h, 24: 24,000 Btu/h
- Values mentioned in the table are based on the following conditions:
 - Power source of specifications: 230 V
 - Pipe length: 5 m, Height difference: 0 m (Outdoor unit—Indoor unit)
 - Heating: Indoor temperature of 20 °CDB, and outdoor temperature of 7 °CDB/6 °CWB.
- 2 or more indoor units should be connected.
- The total ability of connected a indoor unit is from 25,000 Btu up to 49,000 Btu.

6-2. Cooling capacity

NOTE: Values mentioned in the table are calculated based on the maximum capacity.

Model: AOYG30KBTA4

| Indoor unit connect- ing capacity | Outdoor temperature | Indoor temperature | | | | | | | | | | | |
|--------------------------------------|---------------------|--------------------|------|-----------|------|-----------|------|-----------|------|-----------|------|-----------|------|
| | | 18.0 °CDB | | 21.0 °CDB | | 23.0 °CDB | | 27.0 °CDB | | 29.0 °CDB | | 32.0 °CDB | |
| | | 12.0 °CWB | | 15.0 °CWB | | 16.0 °CWB | | 19.0 °CWB | | 21.0 °CWB | | 23.0 °CWB | |
| kBtu/h | °CDB | TC | IP | TC | IP | TC | IP | TC | IP | TC | IP | TC | IP |
| 49 | -10.0 | 7.9 | 1.94 | 8.9 | 1.97 | 9.4 | 1.99 | 10.1 | 2.01 | 10.8 | 2.03 | 11.1 | 2.05 |
| | 0.0 | 7.9 | 2.02 | 8.9 | 2.05 | 9.4 | 2.07 | 10.1 | 2.09 | 10.8 | 2.11 | 11.1 | 2.13 |
| | 5.0 | 7.9 | 1.98 | 8.9 | 2.02 | 9.4 | 2.03 | 10.1 | 2.05 | 10.8 | 2.08 | 11.1 | 2.09 |
| | 10.0 | 7.9 | 2.11 | 8.9 | 2.14 | 9.4 | 2.16 | 10.1 | 2.19 | 10.8 | 2.21 | 11.1 | 2.22 |
| | 15.0 | 7.9 | 2.00 | 8.9 | 2.04 | 9.4 | 2.05 | 10.1 | 2.08 | 10.8 | 2.10 | 11.1 | 2.11 |
| | 20.0 | 7.9 | 1.89 | 8.9 | 1.93 | 9.4 | 1.94 | 10.1 | 1.97 | 10.8 | 1.99 | 11.1 | 2.00 |
| | 25.0 | 7.9 | 2.29 | 8.9 | 2.33 | 9.4 | 2.35 | 10.1 | 2.38 | 10.8 | 2.40 | 11.1 | 2.42 |
| | 30.0 | 7.9 | 2.74 | 8.9 | 2.79 | 9.4 | 2.82 | 10.1 | 2.85 | 10.8 | 2.88 | 11.1 | 2.90 |
| | 35.0 | 7.9 | 3.18 | 8.9 | 3.24 | 9.4 | 3.26 | 10.1 | 3.30 | 10.8 | 3.34 | 11.1 | 3.35 |
| | 40.0 | 6.6 | 2.69 | 7.4 | 2.74 | 7.8 | 2.76 | 8.4 | 2.79 | 8.9 | 2.82 | 9.2 | 2.84 |
| 46.0 | 5.2 | 2.20 | 5.9 | 2.24 | 6.2 | 2.25 | 6.6 | 2.28 | 7.1 | 2.31 | 7.3 | 2.32 | |
| 48 | -10.0 | 7.9 | 1.94 | 8.9 | 1.97 | 9.4 | 1.99 | 10.1 | 2.01 | 10.8 | 2.03 | 11.1 | 2.05 |
| | 0.0 | 7.9 | 2.02 | 8.9 | 2.05 | 9.4 | 2.07 | 10.1 | 2.09 | 10.8 | 2.11 | 11.1 | 2.13 |
| | 5.0 | 7.9 | 1.98 | 8.9 | 2.02 | 9.4 | 2.03 | 10.1 | 2.05 | 10.8 | 2.08 | 11.1 | 2.09 |
| | 10.0 | 7.9 | 2.11 | 8.9 | 2.14 | 9.4 | 2.16 | 10.1 | 2.19 | 10.8 | 2.21 | 11.1 | 2.22 |
| | 15.0 | 7.9 | 2.00 | 8.9 | 2.04 | 9.4 | 2.05 | 10.1 | 2.08 | 10.8 | 2.10 | 11.1 | 2.11 |
| | 20.0 | 7.9 | 1.89 | 8.9 | 1.93 | 9.4 | 1.94 | 10.1 | 1.97 | 10.8 | 1.99 | 11.1 | 2.00 |
| | 25.0 | 7.9 | 2.29 | 8.9 | 2.33 | 9.4 | 2.35 | 10.1 | 2.38 | 10.8 | 2.40 | 11.1 | 2.42 |
| | 30.0 | 7.9 | 2.74 | 8.9 | 2.79 | 9.4 | 2.82 | 10.1 | 2.85 | 10.8 | 2.88 | 11.1 | 2.90 |
| | 35.0 | 7.9 | 3.18 | 8.9 | 3.24 | 9.4 | 3.26 | 10.1 | 3.30 | 10.8 | 3.34 | 11.1 | 3.35 |
| | 40.0 | 6.6 | 2.69 | 7.4 | 2.74 | 7.8 | 2.76 | 8.4 | 2.79 | 8.9 | 2.82 | 9.2 | 2.84 |
| 46.0 | 5.2 | 2.20 | 5.9 | 2.24 | 6.2 | 2.25 | 6.6 | 2.28 | 7.1 | 2.31 | 7.3 | 2.32 | |
| 47 | -10.0 | 7.9 | 1.94 | 8.9 | 1.97 | 9.4 | 1.99 | 10.1 | 2.01 | 10.8 | 2.03 | 11.1 | 2.05 |
| | 0.0 | 7.9 | 2.02 | 8.9 | 2.05 | 9.4 | 2.07 | 10.1 | 2.09 | 10.8 | 2.11 | 11.1 | 2.13 |
| | 5.0 | 7.9 | 1.98 | 8.9 | 2.02 | 9.4 | 2.03 | 10.1 | 2.05 | 10.8 | 2.08 | 11.1 | 2.09 |
| | 10.0 | 7.9 | 2.11 | 8.9 | 2.14 | 9.4 | 2.16 | 10.1 | 2.19 | 10.8 | 2.21 | 11.1 | 2.22 |
| | 15.0 | 7.9 | 2.00 | 8.9 | 2.04 | 9.4 | 2.05 | 10.1 | 2.08 | 10.8 | 2.10 | 11.1 | 2.11 |
| | 20.0 | 7.9 | 1.89 | 8.9 | 1.93 | 9.4 | 1.94 | 10.1 | 1.97 | 10.8 | 1.99 | 11.1 | 2.00 |
| | 25.0 | 7.9 | 2.29 | 8.9 | 2.33 | 9.4 | 2.35 | 10.1 | 2.38 | 10.8 | 2.40 | 11.1 | 2.42 |
| | 30.0 | 7.9 | 2.74 | 8.9 | 2.79 | 9.4 | 2.82 | 10.1 | 2.85 | 10.8 | 2.88 | 11.1 | 2.90 |
| | 35.0 | 7.9 | 3.18 | 8.9 | 3.24 | 9.4 | 3.26 | 10.1 | 3.30 | 10.8 | 3.34 | 11.1 | 3.35 |
| | 40.0 | 6.6 | 2.69 | 7.4 | 2.74 | 7.8 | 2.76 | 8.4 | 2.79 | 8.9 | 2.82 | 9.2 | 2.84 |
| 46.0 | 5.2 | 2.20 | 5.9 | 2.24 | 6.2 | 2.25 | 6.6 | 2.28 | 7.1 | 2.31 | 7.3 | 2.32 | |
| 46 | -10.0 | 7.9 | 1.94 | 8.9 | 1.97 | 9.4 | 1.99 | 10.1 | 2.01 | 10.8 | 2.03 | 11.1 | 2.05 |
| | 0.0 | 7.9 | 2.02 | 8.9 | 2.05 | 9.4 | 2.07 | 10.1 | 2.09 | 10.8 | 2.11 | 11.1 | 2.13 |
| | 5.0 | 7.9 | 1.98 | 8.9 | 2.02 | 9.4 | 2.03 | 10.1 | 2.05 | 10.8 | 2.08 | 11.1 | 2.09 |
| | 10.0 | 7.9 | 2.11 | 8.9 | 2.14 | 9.4 | 2.16 | 10.1 | 2.19 | 10.8 | 2.21 | 11.1 | 2.22 |
| | 15.0 | 7.9 | 2.00 | 8.9 | 2.04 | 9.4 | 2.05 | 10.1 | 2.08 | 10.8 | 2.10 | 11.1 | 2.11 |
| | 20.0 | 7.9 | 1.89 | 8.9 | 1.93 | 9.4 | 1.94 | 10.1 | 1.97 | 10.8 | 1.99 | 11.1 | 2.00 |
| | 25.0 | 7.9 | 2.29 | 8.9 | 2.33 | 9.4 | 2.35 | 10.1 | 2.38 | 10.8 | 2.40 | 11.1 | 2.42 |
| | 30.0 | 7.9 | 2.74 | 8.9 | 2.79 | 9.4 | 2.82 | 10.1 | 2.85 | 10.8 | 2.88 | 11.1 | 2.90 |
| | 35.0 | 7.9 | 3.18 | 8.9 | 3.24 | 9.4 | 3.26 | 10.1 | 3.30 | 10.8 | 3.34 | 11.1 | 3.35 |
| | 40.0 | 6.6 | 2.69 | 7.4 | 2.74 | 7.8 | 2.76 | 8.4 | 2.79 | 8.9 | 2.82 | 9.2 | 2.84 |
| 46.0 | 5.2 | 2.20 | 5.9 | 2.24 | 6.2 | 2.25 | 6.6 | 2.28 | 7.1 | 2.31 | 7.3 | 2.32 | |
| 45 | -10.0 | 7.9 | 1.94 | 8.9 | 1.97 | 9.4 | 1.99 | 10.1 | 2.01 | 10.8 | 2.03 | 11.1 | 2.05 |
| | 0.0 | 7.9 | 2.02 | 8.9 | 2.05 | 9.4 | 2.07 | 10.1 | 2.09 | 10.8 | 2.11 | 11.1 | 2.13 |
| | 5.0 | 7.9 | 1.98 | 8.9 | 2.02 | 9.4 | 2.03 | 10.1 | 2.05 | 10.8 | 2.08 | 11.1 | 2.09 |
| | 10.0 | 7.9 | 2.11 | 8.9 | 2.14 | 9.4 | 2.16 | 10.1 | 2.19 | 10.8 | 2.21 | 11.1 | 2.22 |
| | 15.0 | 7.9 | 2.00 | 8.9 | 2.04 | 9.4 | 2.05 | 10.1 | 2.08 | 10.8 | 2.10 | 11.1 | 2.11 |
| | 20.0 | 7.9 | 1.89 | 8.9 | 1.93 | 9.4 | 1.94 | 10.1 | 1.97 | 10.8 | 1.99 | 11.1 | 2.00 |
| | 25.0 | 7.9 | 2.29 | 8.9 | 2.33 | 9.4 | 2.35 | 10.1 | 2.38 | 10.8 | 2.40 | 11.1 | 2.42 |
| | 30.0 | 7.9 | 2.74 | 8.9 | 2.79 | 9.4 | 2.82 | 10.1 | 2.85 | 10.8 | 2.88 | 11.1 | 2.90 |
| | 35.0 | 7.9 | 3.18 | 8.9 | 3.24 | 9.4 | 3.26 | 10.1 | 3.30 | 10.8 | 3.34 | 11.1 | 3.35 |
| | 40.0 | 6.6 | 2.69 | 7.4 | 2.74 | 7.8 | 2.76 | 8.4 | 2.79 | 8.9 | 2.82 | 9.2 | 2.84 |
| 46.0 | 5.2 | 2.20 | 5.9 | 2.24 | 6.2 | 2.25 | 6.6 | 2.28 | 7.1 | 2.31 | 7.3 | 2.32 | |
| 44 | -10.0 | 7.9 | 1.94 | 8.9 | 1.97 | 9.4 | 1.99 | 10.1 | 2.01 | 10.8 | 2.03 | 11.1 | 2.05 |
| | 0.0 | 7.9 | 2.02 | 8.9 | 2.05 | 9.4 | 2.07 | 10.1 | 2.09 | 10.8 | 2.11 | 11.1 | 2.13 |
| | 5.0 | 7.9 | 1.98 | 8.9 | 2.02 | 9.4 | 2.03 | 10.1 | 2.05 | 10.8 | 2.08 | 11.1 | 2.09 |
| | 10.0 | 7.9 | 2.11 | 8.9 | 2.14 | 9.4 | 2.16 | 10.1 | 2.19 | 10.8 | 2.21 | 11.1 | 2.22 |
| | 15.0 | 7.9 | 2.00 | 8.9 | 2.04 | 9.4 | 2.05 | 10.1 | 2.08 | 10.8 | 2.10 | 11.1 | 2.11 |
| | 20.0 | 7.9 | 1.89 | 8.9 | 1.93 | 9.4 | 1.94 | 10.1 | 1.97 | 10.8 | 1.99 | 11.1 | 2.00 |
| | 25.0 | 7.9 | 2.29 | 8.9 | 2.33 | 9.4 | 2.35 | 10.1 | 2.38 | 10.8 | 2.40 | 11.1 | 2.42 |
| | 30.0 | 7.9 | 2.74 | 8.9 | 2.79 | 9.4 | 2.82 | 10.1 | 2.85 | 10.8 | 2.88 | 11.1 | 2.90 |
| | 35.0 | 7.9 | 3.18 | 8.9 | 3.24 | 9.4 | 3.26 | 10.1 | 3.30 | 10.8 | 3.34 | 11.1 | 3.35 |
| | 40.0 | 6.6 | 2.69 | 7.4 | 2.74 | 7.8 | 2.76 | 8.4 | 2.79 | 8.9 | 2.82 | 9.2 | 2.84 |
| 46.0 | 5.2 | 2.20 | 5.9 | 2.24 | 6.2 | 2.25 | 6.6 | 2.28 | 7.1 | 2.31 | 7.3 | 2.32 | |
| 43 | -10.0 | 7.9 | 1.94 | 8.9 | 1.97 | 9.4 | 1.99 | 10.1 | 2.01 | 10.8 | 2.03 | 11.1 | 2.05 |
| | 0.0 | 7.9 | 2.02 | 8.9 | 2.05 | 9.4 | 2.07 | 10.1 | 2.09 | 10.8 | 2.11 | 11.1 | 2.13 |
| | 5.0 | 7.9 | 1.98 | 8.9 | 2.02 | 9.4 | 2.03 | 10.1 | 2.05 | 10.8 | 2.08 | 11.1 | 2.09 |
| | 10.0 | 7.9 | 2.11 | 8.9 | 2.14 | 9.4 | 2.16 | 10.1 | 2.19 | 10.8 | 2.21 | 11.1 | 2.22 |
| | 15.0 | 7.9 | 2.00 | 8.9 | 2.04 | 9.4 | 2.05 | 10.1 | 2.08 | 10.8 | 2.10 | 11.1 | 2.11 |
| | 20.0 | 7.9 | 1.89 | 8.9 | 1.93 | 9.4 | 1.94 | 10.1 | 1.97 | 10.8 | 1.99 | 11.1 | 2.00 |
| | 25.0 | 7.9 | 2.29 | 8.9 | 2.33 | 9.4 | 2.35 | 10.1 | 2.38 | 10.8 | 2.40 | 11.1 | 2.42 |
| | 30.0 | 7.9 | 2.74 | 8.9 | 2.79 | 9.4 | 2.82 | 10.1 | 2.85 | 10.8 | 2.88 | 11.1 | 2.90 |
| | 35.0 | 7.9 | 3.18 | 8.9 | 3.24 | 9.4 | 3.26 | 10.1 | 3.30 | 10.8 | 3.34 | 11.1 | 3.35 |
| | 40.0 | 6.6 | 2.69 | 7.4 | 2.74 | 7.8 | 2.76 | 8.4 | 2.79 | 8.9 | 2.82 | 9.2 | 2.84 |
| 46.0 | 5.2 | 2.20 | 5.9 | 2.24 | 6.2 | 2.25 | 6.6 | 2.28 | 7.1 | 2.31 | 7.3 | 2.32 | |

| Indoor unit connect- ing capacity | Outdoor temperature | Indoor temperature | | | | | | | | | | | |
|--------------------------------------|---------------------|--------------------|------|-----------|------|-----------|------|-----------|------|-----------|------|-----------|------|
| | | 18.0 °CDB | | 21.0 °CDB | | 23.0 °CDB | | 27.0 °CDB | | 29.0 °CDB | | 32.0 °CDB | |
| | | 12.0 °CWB | | 15.0 °CWB | | 16.0 °CWB | | 19.0 °CWB | | 21.0 °CWB | | 23.0 °CWB | |
| kBtu/h | °CDB | TC | IP | TC | IP | TC | IP | TC | IP | TC | IP | TC | IP |
| 34 | -10.0 | 7.9 | 1.94 | 8.9 | 1.97 | 9.4 | 1.99 | 10.1 | 2.01 | 10.8 | 2.03 | 11.1 | 2.05 |
| | 0.0 | 7.9 | 2.02 | 8.9 | 2.05 | 9.4 | 2.07 | 10.1 | 2.09 | 10.8 | 2.11 | 11.1 | 2.13 |
| | 5.0 | 7.9 | 1.98 | 8.9 | 2.02 | 9.4 | 2.03 | 10.1 | 2.05 | 10.8 | 2.08 | 11.1 | 2.09 |
| | 10.0 | 7.9 | 2.11 | 8.9 | 2.14 | 9.4 | 2.16 | 10.1 | 2.19 | 10.8 | 2.21 | 11.1 | 2.22 |
| | 15.0 | 7.9 | 2.00 | 8.9 | 2.04 | 9.4 | 2.05 | 10.1 | 2.08 | 10.8 | 2.10 | 11.1 | 2.11 |
| | 20.0 | 7.9 | 1.89 | 8.9 | 1.93 | 9.4 | 1.94 | 10.1 | 1.97 | 10.8 | 1.99 | 11.1 | 2.00 |
| | 25.0 | 7.9 | 2.29 | 8.9 | 2.33 | 9.4 | 2.35 | 10.1 | 2.38 | 10.8 | 2.40 | 11.1 | 2.42 |
| | 30.0 | 7.9 | 2.74 | 8.9 | 2.79 | 9.4 | 2.82 | 10.1 | 2.85 | 10.8 | 2.88 | 11.1 | 2.90 |
| | 35.0 | 7.9 | 3.18 | 8.9 | 3.24 | 9.4 | 3.26 | 10.1 | 3.30 | 10.8 | 3.34 | 11.1 | 3.35 |
| | 40.0 | 6.6 | 2.69 | 7.4 | 2.74 | 7.8 | 2.76 | 8.4 | 2.79 | 8.9 | 2.82 | 9.2 | 2.84 |
| 46.0 | 5.2 | 2.20 | 5.9 | 2.24 | 6.2 | 2.25 | 6.6 | 2.28 | 7.1 | 2.31 | 7.3 | 2.32 | |
| 33 | -10.0 | 7.9 | 1.94 | 8.9 | 1.97 | 9.4 | 1.99 | 10.1 | 2.01 | 10.8 | 2.03 | 11.1 | 2.05 |
| | 0.0 | 7.9 | 2.02 | 8.9 | 2.05 | 9.4 | 2.07 | 10.1 | 2.09 | 10.8 | 2.11 | 11.1 | 2.13 |
| | 5.0 | 7.9 | 1.98 | 8.9 | 2.02 | 9.4 | 2.03 | 10.1 | 2.05 | 10.8 | 2.08 | 11.1 | 2.09 |
| | 10.0 | 7.9 | 2.11 | 8.9 | 2.14 | 9.4 | 2.16 | 10.1 | 2.19 | 10.8 | 2.21 | 11.1 | 2.22 |
| | 15.0 | 7.9 | 2.00 | 8.9 | 2.04 | 9.4 | 2.05 | 10.1 | 2.08 | 10.8 | 2.10 | 11.1 | 2.11 |
| | 20.0 | 7.9 | 1.89 | 8.9 | 1.93 | 9.4 | 1.94 | 10.1 | 1.97 | 10.8 | 1.99 | 11.1 | 2.00 |
| | 25.0 | 7.9 | 2.29 | 8.9 | 2.33 | 9.4 | 2.35 | 10.1 | 2.38 | 10.8 | 2.40 | 11.1 | 2.42 |
| | 30.0 | 7.9 | 2.74 | 8.9 | 2.79 | 9.4 | 2.82 | 10.1 | 2.85 | 10.8 | 2.88 | 11.1 | 2.90 |
| | 35.0 | 7.9 | 3.18 | 8.9 | 3.24 | 9.4 | 3.26 | 10.1 | 3.30 | 10.8 | 3.34 | 11.1 | 3.35 |
| | 40.0 | 6.6 | 2.69 | 7.4 | 2.74 | 7.8 | 2.76 | 8.4 | 2.79 | 8.9 | 2.82 | 9.2 | 2.84 |
| 46.0 | 5.2 | 2.20 | 5.9 | 2.24 | 6.2 | 2.25 | 6.6 | 2.28 | 7.1 | 2.31 | 7.3 | 2.32 | |
| 32 | -10.0 | 7.9 | 1.94 | 8.9 | 1.97 | 9.4 | 1.99 | 10.1 | 2.01 | 10.8 | 2.03 | 11.1 | 2.05 |
| | 0.0 | 7.9 | 2.02 | 8.9 | 2.05 | 9.4 | 2.07 | 10.1 | 2.09 | 10.8 | 2.11 | 11.1 | 2.13 |
| | 5.0 | 7.9 | 1.98 | 8.9 | 2.02 | 9.4 | 2.03 | 10.1 | 2.05 | 10.8 | 2.08 | 11.1 | 2.09 |
| | 10.0 | 7.9 | 2.11 | 8.9 | 2.14 | 9.4 | 2.16 | 10.1 | 2.19 | 10.8 | 2.21 | 11.1 | 2.22 |
| | 15.0 | 7.9 | 2.00 | 8.9 | 2.04 | 9.4 | 2.05 | 10.1 | 2.08 | 10.8 | 2.10 | 11.1 | 2.11 |
| | 20.0 | 7.9 | 1.89 | 8.9 | 1.93 | 9.4 | 1.94 | 10.1 | 1.97 | 10.8 | 1.99 | 11.1 | 2.00 |
| | 25.0 | 7.9 | 2.29 | 8.9 | 2.33 | 9.4 | 2.35 | 10.1 | 2.38 | 10.8 | 2.40 | 11.1 | 2.42 |
| | 30.0 | 7.9 | 2.74 | 8.9 | 2.79 | 9.4 | 2.82 | 10.1 | 2.85 | 10.8 | 2.88 | 11.1 | 2.90 |
| | 35.0 | 7.9 | 3.18 | 8.9 | 3.24 | 9.4 | 3.26 | 10.1 | 3.30 | 10.8 | 3.34 | 11.1 | 3.35 |
| | 40.0 | 6.6 | 2.69 | 7.4 | 2.74 | 7.8 | 2.76 | 8.4 | 2.79 | 8.9 | 2.82 | 9.2 | 2.84 |
| 46.0 | 5.2 | 2.20 | 5.9 | 2.24 | 6.2 | 2.25 | 6.6 | 2.28 | 7.1 | 2.31 | 7.3 | 2.32 | |
| 31 | -10.0 | 7.9 | 1.94 | 8.9 | 1.97 | 9.4 | 1.99 | 10.1 | 2.01 | 10.8 | 2.03 | 11.1 | 2.05 |
| | 0.0 | 7.9 | 2.02 | 8.9 | 2.05 | 9.4 | 2.07 | 10.1 | 2.09 | 10.8 | 2.11 | 11.1 | 2.13 |
| | 5.0 | 7.9 | 1.98 | 8.9 | 2.02 | 9.4 | 2.03 | 10.1 | 2.05 | 10.8 | 2.08 | 11.1 | 2.09 |
| | 10.0 | 7.9 | 2.11 | 8.9 | 2.14 | 9.4 | 2.16 | 10.1 | 2.19 | 10.8 | 2.21 | 11.1 | 2.22 |
| | 15.0 | 7.9 | 2.00 | 8.9 | 2.04 | 9.4 | 2.05 | 10.1 | 2.08 | 10.8 | 2.10 | 11.1 | 2.11 |
| | 20.0 | 7.9 | 1.89 | 8.9 | 1.93 | 9.4 | 1.94 | 10.1 | 1.97 | 10.8 | 1.99 | 11.1 | 2.00 |
| | 25.0 | 7.9 | 2.29 | 8.9 | 2.33 | 9.4 | 2.35 | 10.1 | 2.38 | 10.8 | 2.40 | 11.1 | 2.42 |
| | 30.0 | 7.9 | 2.74 | 8.9 | 2.79 | 9.4 | 2.82 | 10.1 | 2.85 | 10.8 | 2.88 | 11.1 | 2.90 |
| | 35.0 | 7.9 | 3.18 | 8.9 | 3.24 | 9.4 | 3.26 | 10.1 | 3.30 | 10.8 | 3.34 | 11.1 | 3.35 |
| | 40.0 | 6.6 | 2.69 | 7.4 | 2.74 | 7.8 | 2.76 | 8.4 | 2.79 | 8.9 | 2.82 | 9.2 | 2.84 |
| 46.0 | 5.2 | 2.20 | 5.9 | 2.24 | 6.2 | 2.25 | 6.6 | 2.28 | 7.1 | 2.31 | 7.3 | 2.32 | |
| 30 | -10.0 | 7.9 | 1.94 | 8.9 | 1.97 | 9.4 | 1.99 | 10.1 | 2.01 | 10.8 | 2.03 | 11.1 | 2.05 |
| | 0.0 | 7.9 | 2.02 | 8.9 | 2.05 | 9.4 | 2.07 | 10.1 | 2.09 | 10.8 | 2.11 | 11.1 | 2.13 |
| | 5.0 | 7.9 | 1.98 | 8.9 | 2.02 | 9.4 | 2.03 | 10.1 | 2.05 | 10.8 | 2.08 | 11.1 | 2.09 |
| | 10.0 | 7.9 | 2.11 | 8.9 | 2.14 | 9.4 | 2.16 | 10.1 | 2.19 | 10.8 | 2.21 | 11.1 | 2.22 |
| | 15.0 | 7.9 | 2.00 | 8.9 | 2.04 | 9.4 | 2.05 | 10.1 | 2.08 | 10.8 | 2.10 | 11.1 | 2.11 |
| | 20.0 | 7.9 | 1.89 | 8.9 | 1.93 | 9.4 | 1.94 | 10.1 | 1.97 | 10.8 | 1.99 | 11.1 | 2.00 |
| | 25.0 | 7.9 | 2.29 | 8.9 | 2.33 | 9.4 | 2.35 | 10.1 | 2.38 | 10.8 | 2.40 | 11.1 | 2.42 |
| | 30.0 | 7.9 | 2.74 | 8.9 | 2.79 | 9.4 | 2.82 | 10.1 | 2.85 | 10.8 | 2.88 | 11.1 | 2.90 |
| | 35.0 | 7.9 | 3.18 | 8.9 | 3.24 | 9.4 | 3.26 | 10.1 | 3.30 | 10.8 | 3.34 | 11.1 | 3.35 |
| | 40.0 | 6.6 | 2.69 | 7.4 | 2.74 | 7.8 | 2.76 | 8.4 | 2.79 | 8.9 | 2.82 | 9.2 | 2.84 |
| 46.0 | 5.2 | 2.20 | 5.9 | 2.24 | 6.2 | 2.25 | 6.6 | 2.28 | 7.1 | 2.31 | 7.3 | 2.32 | |
| 29 | -10.0 | 7.9 | 1.94 | 8.9 | 1.97 | 9.4 | 1.99 | 10.1 | 2.01 | 10.8 | 2.03 | 11.1 | 2.05 |
| | 0.0 | 7.9 | 2.02 | 8.9 | 2.05 | 9.4 | 2.07 | 10.1 | 2.09 | 10.8 | 2.11 | 11.1 | 2.13 |
| | 5.0 | 7.9 | 1.98 | 8.9 | 2.02 | 9.4 | 2.03 | 10.1 | 2.05 | 10.8 | 2.08 | 11.1 | 2.09 |
| | 10.0 | 7.9 | 2.11 | 8.9 | 2.14 | 9.4 | 2.16 | 10.1 | 2.19 | 10.8 | 2.21 | 11.1 | 2.22 |
| | 15.0 | 7.9 | 2.00 | 8.9 | 2.04 | 9.4 | 2.05 | 10.1 | 2.08 | 10.8 | 2.10 | 11.1 | 2.11 |
| | 20.0 | 7.9 | 1.89 | 8.9 | 1.93 | 9.4 | 1.94 | 10.1 | 1.97 | 10.8 | 1.99 | 11.1 | 2.00 |
| | 25.0 | 7.9 | 2.29 | 8.9 | 2.33 | 9.4 | 2.35 | 10.1 | 2.38 | 10.8 | 2.40 | 11.1 | 2.42 |
| | 30.0 | 7.9 | 2.74 | 8.9 | 2.79 | 9.4 | 2.82 | 10.1 | 2.85 | 10.8 | 2.88 | 11.1 | 2.90 |
| | 35.0 | 7.9 | 3.18 | 8.9 | 3.24 | 9.4 | 3.26 | 10.1 | 3.30 | 10.8 | 3.34 | 11.1 | 3.35 |
| | 40.0 | 6.6 | 2.69 | 7.4 | 2.74 | 7.8 | 2.76 | 8.4 | 2.79 | 8.9 | 2.82 | 9.2 | 2.84 |
| 46.0 | 5.2 | 2.20 | 5.9 | 2.24 | 6.2 | 2.25 | 6.6 | 2.28 | 7.1 | 2.31 | 7.3 | 2.32 | |
| 28 | -10.0 | 7.9 | 1.94 | 8.9 | 1.97 | 9.4 | 1.99 | 10.1 | 2.01 | 10.8 | 2.03 | 11.1 | 2.05 |
| | 0.0 | 7.9 | 2.02 | 8.9 | 2.05 | 9.4 | 2.07 | 10.1 | 2.09 | 10.8 | 2.11 | 11.1 | 2.13 |
| | 5.0 | 7.9 | 1.98 | 8.9 | 2.02 | 9.4 | 2.03 | 10.1 | 2.05 | 10.8 | 2.08 | 11.1 | 2.09 |
| | 10.0 | 7.9 | 2.11 | 8.9 | 2.14 | 9.4 | 2.16 | 10.1 | 2.19 | 10.8 | 2.21 | 11.1 | 2.22 |
| | 15.0 | 7.9 | 2.00 | 8.9 | 2.04 | 9.4 | 2.05 | 10.1 | 2.08 | 10.8 | 2.10 | 11.1 | 2.11 |
| | 20.0 | 7.9 | 1.89 | 8.9 | 1.93 | 9.4 | 1.94 | 10.1 | 1.97 | 10.8 | 1.99 | 11.1 | 2.00 |
| | 25.0 | 7.9 | 2.29 | 8.9 | 2.33 | 9.4 | 2.35 | 10.1 | 2.38 | 10.8 | 2.40 | 11.1 | 2.42 |
| | 30.0 | 7.9 | 2.74 | 8.9 | 2.79 | 9.4 | 2.82 | 10.1 | 2.85 | 10.8 | 2.88 | 11.1 | 2.90 |
| | 35.0 | 7.9 | 3.18 | 8.9 | 3.24 | 9.4 | 3.26 | 10.1 | 3.30 | 10.8 | 3.34 | 11.1 | 3.35 |
| | 40.0 | 6.6 | 2.69 | 7.4 | 2.74 | 7.8 | 2.76 | 8.4 | 2.79 | 8.9 | 2.82 | 9.2 | 2.84 |
| 46.0 | 5.2 | 2.20 | 5.9 | 2.24 | 6.2 | 2.25 | 6.6 | 2.28 | 7.1 | 2.31 | 7.3 | 2.32 | |
| 27 | -10.0 | 7.5 | 1.77 | 8.5 | 1.80 | 9.0 | 1.81 | 9.6 | 1.83 | 10.3 | 1.85 | 10.6 | 1.86 |
| | 0.0 | 7.5 | 1.84 | 8.5 | 1.87 | 9.0 | 1.88 | 9.6 | 1.90 | 10.3 | 1.93 | 10.6 | 1.94 |
| | 5.0 | 7.5 | 1.80 | 8.5 | 1.84 | 9.0 | 1.85 | 9.6 | 1.87 | 10.3 | 1.89 | 10.6 | 1.90 |
| | 10.0 | 7.5 | 1.92 | 8.5 | 1.95 | 9.0 | 1.97 | 9.6 | 1.99 | 10.3 | 2.01 | 10.6 | 2.03 |
| | 15.0 | 7.5 | 1.82 | 8.5 | 1.86 | 9.0 | 1.87 | 9.6 | 1.89 | 10.3 | 1.91 | 10.6 | 1.92 |
| | 20.0 | 7.5 | 1.73 | 8.5 | 1.76 | 9.0 | 1.77 | 9.6 | 1.79 | 10.3 | 1.81 | 10.6 | 1.82 |
| | 25.0 | 7.5 | 2.09 | 8.5 | 2.12 | 9.0 | 2.14 | 9.6 | 2.17 | 10.3 | 2.19 | 10.6 | 2.20 |
| | 30.0 | 7.5 | 2.50 | 8.5 | 2.54 | 9.0 | 2.57 | 9.6 | 2.59 | 10.3 | 2.62 | 10.6 | 2.64 |
| | 35.0 | 7.5 | 2.90 | 8.5 | 2.95 | 9.0 | 2.97 | 9.6 | 3.00 | 10.3 | 3.04 | 10.6 | 3.06 |
| | 40.0 | 6.2 | 2.45 | 7.0 | 2.49 | 7.4 | 2.51 | 7.9 | 2.54 | 8.5 | 2.57 | 8.8 | 2.58 |
| 46.0 | 6.2 | 2.00 | 7.0 | 2.04 | 7.4 | 2.05 | 7.9 | 2.08 | 8.5 | 2.10 | 8.8 | 2.11 | |

OUTDOOR UNIT
AOYG30KETA4

OUTDOOR UNIT
AOYG30KETA4

| Indoor unit connecting capacity | Outdoor temperature | Indoor temperature | | | | | | | | | | | |
|---------------------------------|---------------------|--------------------|------|-----------|------|-----------|------|-----------|------|-----------|------|-----------|------|
| | | 18.0 °CDB | | 21.0 °CDB | | 23.0 °CDB | | 27.0 °CDB | | 29.0 °CDB | | 32.0 °CDB | |
| | | 12.0 °CWB | | 15.0 °CWB | | 16.0 °CWB | | 19.0 °CWB | | 21.0 °CWB | | 23.0 °CWB | |
| kBtu/h | °CDB | TC | IP | TC | IP | TC | IP | TC | IP | TC | IP | TC | IP |
| 26 | -10.0 | 7.3 | 1.71 | 8.2 | 1.74 | 8.7 | 1.76 | 9.3 | 1.78 | 9.9 | 1.80 | 10.2 | 1.81 |
| | 0.0 | 7.3 | 1.78 | 8.2 | 1.81 | 8.7 | 1.83 | 9.3 | 1.85 | 9.9 | 1.87 | 10.2 | 1.88 |
| | 5.0 | 7.3 | 1.75 | 8.2 | 1.78 | 8.7 | 1.79 | 9.3 | 1.81 | 9.9 | 1.84 | 10.2 | 1.84 |
| | 10.0 | 7.3 | 1.86 | 8.2 | 1.89 | 8.7 | 1.91 | 9.3 | 1.93 | 9.9 | 1.95 | 10.2 | 1.96 |
| | 15.0 | 7.3 | 1.77 | 8.2 | 1.80 | 8.7 | 1.81 | 9.3 | 1.83 | 9.9 | 1.86 | 10.2 | 1.87 |
| | 20.0 | 7.3 | 1.67 | 8.2 | 1.70 | 8.7 | 1.72 | 9.3 | 1.74 | 9.9 | 1.76 | 10.2 | 1.76 |
| | 25.0 | 7.3 | 2.02 | 8.2 | 2.06 | 8.7 | 2.08 | 9.3 | 2.10 | 9.9 | 2.12 | 10.2 | 2.13 |
| | 30.0 | 7.3 | 2.42 | 8.2 | 2.47 | 8.7 | 2.49 | 9.3 | 2.51 | 9.9 | 2.54 | 10.2 | 2.56 |
| | 35.0 | 7.3 | 2.81 | 8.2 | 2.86 | 8.7 | 2.88 | 9.3 | 2.91 | 9.9 | 2.95 | 10.2 | 2.96 |
| | 40.0 | 6.0 | 2.37 | 6.8 | 2.42 | 7.2 | 2.44 | 7.7 | 2.46 | 8.2 | 2.49 | 8.5 | 2.50 |
| 46.0 | 6.0 | 1.94 | 6.8 | 1.97 | 7.2 | 1.99 | 7.7 | 2.01 | 8.2 | 2.04 | 8.5 | 2.05 | |
| 25 | -10.0 | 7.0 | 1.64 | 7.9 | 1.67 | 8.3 | 1.68 | 8.9 | 1.70 | 9.5 | 1.72 | 9.8 | 1.73 |
| | 0.0 | 7.0 | 1.70 | 7.9 | 1.73 | 8.3 | 1.75 | 8.9 | 1.77 | 9.5 | 1.79 | 9.8 | 1.80 |
| | 5.0 | 7.0 | 1.67 | 7.9 | 1.70 | 8.3 | 1.72 | 8.9 | 1.74 | 9.5 | 1.76 | 9.8 | 1.77 |
| | 10.0 | 7.0 | 1.78 | 7.9 | 1.81 | 8.3 | 1.83 | 8.9 | 1.85 | 9.5 | 1.87 | 9.8 | 1.88 |
| | 15.0 | 7.0 | 1.69 | 7.9 | 1.72 | 8.3 | 1.74 | 8.9 | 1.76 | 9.5 | 1.78 | 9.8 | 1.79 |
| | 20.0 | 7.0 | 1.60 | 7.9 | 1.63 | 8.3 | 1.64 | 8.9 | 1.66 | 9.5 | 1.68 | 9.8 | 1.69 |
| | 25.0 | 7.0 | 1.94 | 7.9 | 1.97 | 8.3 | 1.99 | 8.9 | 2.01 | 9.5 | 2.03 | 9.8 | 2.04 |
| | 30.0 | 7.0 | 2.32 | 7.9 | 2.36 | 8.3 | 2.38 | 8.9 | 2.41 | 9.5 | 2.44 | 9.8 | 2.45 |
| | 35.0 | 7.0 | 2.69 | 7.9 | 2.74 | 8.3 | 2.76 | 8.9 | 2.79 | 9.5 | 2.82 | 9.8 | 2.84 |
| | 40.0 | 5.8 | 2.27 | 6.5 | 2.31 | 6.9 | 2.33 | 7.4 | 2.36 | 7.9 | 2.39 | 8.1 | 2.40 |
| 46.0 | 5.8 | 1.86 | 6.5 | 1.89 | 6.9 | 1.91 | 7.4 | 1.93 | 7.9 | 1.95 | 8.1 | 1.96 | |

NOTES:

- TC: Total Capacity (kW), IP: Input Power (kW)
- Values mentioned in the table are based on the following conditions:
 - Power source of specifications: 230 V
 - Pipe length: 5 m, Height difference: 0 m (Outdoor unit—Indoor unit)
- 2 or more indoor units should be connected.
- The total ability of connected indoor unit is from 25,000 Btu/h up to 49,000 Btu/h.
- Input in the table are calculated based on the maximum indoor unit input combinations.

● Compact cassette type

Model: AUXG07KVLA

| Outdoor temperature | Indoor temperature (°CDB / °CWB) | | | | | | | | | | | |
|---------------------|----------------------------------|------|-------------|------|-------------|------|-------------|------|-------------|------|-------------|------|
| | 18.0 / 12.0 | | 21.0 / 15.0 | | 23.0 / 16.0 | | 27.0 / 19.0 | | 29.0 / 21.0 | | 32.0 / 23.0 | |
| (°CDB) | TC | SHC | TC | SHC | TC | SHC | TC | SHC | TC | SHC | TC | SHC |
| -10.0 | 1.96 | 1.32 | 2.22 | 1.51 | 2.34 | 1.74 | 2.50 | 1.95 | 2.67 | 2.13 | 2.76 | 2.44 |
| -5.0 | 1.96 | 1.32 | 2.22 | 1.51 | 2.34 | 1.74 | 2.50 | 1.95 | 2.67 | 2.13 | 2.76 | 2.44 |
| 0.0 | 1.96 | 1.32 | 2.22 | 1.51 | 2.34 | 1.74 | 2.50 | 1.95 | 2.67 | 2.13 | 2.76 | 2.44 |
| 5.0 | 1.96 | 1.32 | 2.22 | 1.51 | 2.34 | 1.74 | 2.50 | 1.95 | 2.67 | 2.13 | 2.76 | 2.44 |
| 10.0 | 1.96 | 1.32 | 2.22 | 1.51 | 2.34 | 1.74 | 2.50 | 1.95 | 2.67 | 2.13 | 2.76 | 2.44 |
| 15.0 | 1.96 | 1.32 | 2.22 | 1.51 | 2.34 | 1.74 | 2.50 | 1.95 | 2.67 | 2.13 | 2.76 | 2.44 |
| 20.0 | 1.96 | 1.32 | 2.22 | 1.51 | 2.34 | 1.74 | 2.50 | 1.95 | 2.67 | 2.13 | 2.76 | 2.44 |
| 25.0 | 1.96 | 1.32 | 2.22 | 1.51 | 2.34 | 1.74 | 2.50 | 1.95 | 2.67 | 2.13 | 2.76 | 2.44 |
| 30.0 | 1.96 | 1.32 | 2.22 | 1.51 | 2.34 | 1.74 | 2.50 | 1.95 | 2.67 | 2.13 | 2.76 | 2.44 |
| 35.0 | 1.96 | 1.32 | 2.22 | 1.51 | 2.34 | 1.74 | 2.50 | 1.95 | 2.67 | 2.13 | 2.76 | 2.44 |
| 40.0 | 1.62 | 0.91 | 1.83 | 1.03 | 1.93 | 1.19 | 2.07 | 1.34 | 2.21 | 1.46 | 2.28 | 1.67 |
| 46.0 | 1.28 | 0.57 | 1.45 | 0.65 | 1.53 | 0.75 | 1.64 | 0.84 | 1.75 | 0.92 | 1.81 | 1.05 |

OUTDOOR UNIT
AOYG30KETA4OUTDOOR UNIT
AOYG30KETA4

Model: AUXG09KVLA

| Outdoor temperature | Indoor temperature (°CDB / °CWB) | | | | | | | | | | | |
|---------------------|----------------------------------|------|-------------|------|-------------|------|-------------|------|-------------|------|-------------|------|
| | 18.0 / 12.0 | | 21.0 / 15.0 | | 23.0 / 16.0 | | 27.0 / 19.0 | | 29.0 / 21.0 | | 32.0 / 23.0 | |
| (°CDB) | TC | SHC | TC | SHC | TC | SHC | TC | SHC | TC | SHC | TC | SHC |
| -10.0 | 2.51 | 1.67 | 2.84 | 1.90 | 2.99 | 2.19 | 3.20 | 2.46 | 3.42 | 2.69 | 3.53 | 3.09 |
| -5.0 | 2.51 | 1.67 | 2.84 | 1.90 | 2.99 | 2.19 | 3.20 | 2.46 | 3.42 | 2.69 | 3.53 | 3.09 |
| 0.0 | 2.51 | 1.67 | 2.84 | 1.90 | 2.99 | 2.19 | 3.20 | 2.46 | 3.42 | 2.69 | 3.53 | 3.09 |
| 5.0 | 2.51 | 1.67 | 2.84 | 1.90 | 2.99 | 2.19 | 3.20 | 2.46 | 3.42 | 2.69 | 3.53 | 3.09 |
| 10.0 | 2.51 | 1.67 | 2.84 | 1.90 | 2.99 | 2.19 | 3.20 | 2.46 | 3.42 | 2.69 | 3.53 | 3.09 |
| 15.0 | 2.51 | 1.67 | 2.84 | 1.90 | 2.99 | 2.19 | 3.20 | 2.46 | 3.42 | 2.69 | 3.53 | 3.09 |
| 20.0 | 2.51 | 1.67 | 2.84 | 1.90 | 2.99 | 2.19 | 3.20 | 2.46 | 3.42 | 2.69 | 3.53 | 3.09 |
| 25.0 | 2.51 | 1.67 | 2.84 | 1.90 | 2.99 | 2.19 | 3.20 | 2.46 | 3.42 | 2.69 | 3.53 | 3.09 |
| 30.0 | 2.51 | 1.67 | 2.84 | 1.90 | 2.99 | 2.19 | 3.20 | 2.46 | 3.42 | 2.69 | 3.53 | 3.09 |
| 35.0 | 2.51 | 1.67 | 2.84 | 1.90 | 2.99 | 2.19 | 3.20 | 2.46 | 3.42 | 2.69 | 3.53 | 3.09 |
| 40.0 | 2.08 | 1.14 | 2.35 | 1.30 | 2.47 | 1.50 | 2.65 | 1.69 | 2.83 | 1.85 | 2.92 | 2.11 |
| 46.0 | 1.64 | 0.72 | 1.86 | 0.82 | 1.96 | 0.94 | 2.10 | 1.06 | 2.24 | 1.16 | 2.31 | 1.33 |

Model: AUXG12KVLA

| Outdoor temperature | Indoor temperature (°CDB / °CWB) | | | | | | | | | | | |
|---------------------|----------------------------------|------|-------------|------|-------------|------|-------------|------|-------------|------|-------------|------|
| | 18.0 / 12.0 | | 21.0 / 15.0 | | 23.0 / 16.0 | | 27.0 / 19.0 | | 29.0 / 21.0 | | 32.0 / 23.0 | |
| (°CDB) | TC | SHC | TC | SHC | TC | SHC | TC | SHC | TC | SHC | TC | SHC |
| -10.0 | 3.37 | 2.22 | 3.81 | 2.53 | 4.02 | 2.91 | 4.30 | 3.27 | 4.60 | 3.57 | 4.74 | 4.10 |
| -5.0 | 3.37 | 2.22 | 3.81 | 2.53 | 4.02 | 2.91 | 4.30 | 3.27 | 4.60 | 3.57 | 4.74 | 4.10 |
| 0.0 | 3.37 | 2.22 | 3.81 | 2.53 | 4.02 | 2.91 | 4.30 | 3.27 | 4.60 | 3.57 | 4.74 | 4.10 |
| 5.0 | 3.37 | 2.22 | 3.81 | 2.53 | 4.02 | 2.91 | 4.30 | 3.27 | 4.60 | 3.57 | 4.74 | 4.10 |
| 10.0 | 3.37 | 2.22 | 3.81 | 2.53 | 4.02 | 2.91 | 4.30 | 3.27 | 4.60 | 3.57 | 4.74 | 4.10 |
| 15.0 | 3.37 | 2.22 | 3.81 | 2.53 | 4.02 | 2.91 | 4.30 | 3.27 | 4.60 | 3.57 | 4.74 | 4.10 |
| 20.0 | 3.37 | 2.22 | 3.81 | 2.53 | 4.02 | 2.91 | 4.30 | 3.27 | 4.60 | 3.57 | 4.74 | 4.10 |
| 25.0 | 3.37 | 2.22 | 3.81 | 2.53 | 4.02 | 2.91 | 4.30 | 3.27 | 4.60 | 3.57 | 4.74 | 4.10 |
| 30.0 | 3.37 | 2.22 | 3.81 | 2.53 | 4.02 | 2.91 | 4.30 | 3.27 | 4.60 | 3.57 | 4.74 | 4.10 |
| 35.0 | 3.37 | 2.22 | 3.81 | 2.53 | 4.02 | 2.91 | 4.30 | 3.27 | 4.60 | 3.57 | 4.74 | 4.10 |
| 40.0 | 2.79 | 1.52 | 3.15 | 1.73 | 3.32 | 1.99 | 3.56 | 2.24 | 3.80 | 2.45 | 3.92 | 2.81 |
| 46.0 | 2.21 | 0.95 | 2.50 | 1.08 | 2.63 | 1.25 | 2.82 | 1.40 | 3.01 | 1.53 | 3.11 | 1.76 |

Model: AUXG14KVLA

| Outdoor temperature | Indoor temperature (°CDB / °CWB) | | | | | | | | | | | |
|---------------------|----------------------------------|------|-------------|------|-------------|------|-------------|------|-------------|------|-------------|------|
| | 18.0 / 12.0 | | 21.0 / 15.0 | | 23.0 / 16.0 | | 27.0 / 19.0 | | 29.0 / 21.0 | | 32.0 / 23.0 | |
| (°CDB) | TC | SHC | TC | SHC | TC | SHC | TC | SHC | TC | SHC | TC | SHC |
| -10.0 | 3.92 | 2.44 | 4.43 | 2.78 | 4.67 | 3.20 | 5.00 | 3.60 | 5.35 | 3.94 | 5.51 | 4.51 |
| -5.0 | 3.92 | 2.44 | 4.43 | 2.78 | 4.67 | 3.20 | 5.00 | 3.60 | 5.35 | 3.94 | 5.51 | 4.51 |
| 0.0 | 3.92 | 2.44 | 4.43 | 2.78 | 4.67 | 3.20 | 5.00 | 3.60 | 5.35 | 3.94 | 5.51 | 4.51 |
| 5.0 | 3.92 | 2.44 | 4.43 | 2.78 | 4.67 | 3.20 | 5.00 | 3.60 | 5.35 | 3.94 | 5.51 | 4.51 |
| 10.0 | 3.92 | 2.44 | 4.43 | 2.78 | 4.67 | 3.20 | 5.00 | 3.60 | 5.35 | 3.94 | 5.51 | 4.51 |
| 15.0 | 3.92 | 2.44 | 4.43 | 2.78 | 4.67 | 3.20 | 5.00 | 3.60 | 5.35 | 3.94 | 5.51 | 4.51 |
| 20.0 | 3.92 | 2.44 | 4.43 | 2.78 | 4.67 | 3.20 | 5.00 | 3.60 | 5.35 | 3.94 | 5.51 | 4.51 |
| 25.0 | 3.92 | 2.44 | 4.43 | 2.78 | 4.67 | 3.20 | 5.00 | 3.60 | 5.35 | 3.94 | 5.51 | 4.51 |
| 30.0 | 3.92 | 2.44 | 4.43 | 2.78 | 4.67 | 3.20 | 5.00 | 3.60 | 5.35 | 3.94 | 5.51 | 4.51 |
| 35.0 | 3.92 | 2.44 | 4.43 | 2.78 | 4.67 | 3.20 | 5.00 | 3.60 | 5.35 | 3.94 | 5.51 | 4.51 |
| 40.0 | 3.24 | 1.67 | 3.67 | 1.91 | 3.87 | 2.19 | 4.14 | 2.47 | 4.42 | 2.70 | 4.56 | 3.09 |
| 46.0 | 2.57 | 1.05 | 2.90 | 1.20 | 3.06 | 1.38 | 3.28 | 1.55 | 3.50 | 1.69 | 3.61 | 1.94 |

Model: AUXG18KVLA

| Outdoor temperature | Indoor temperature (°CDB / °CWB) | | | | | | | | | | | |
|---------------------|----------------------------------|------|-------------|------|-------------|------|-------------|------|-------------|------|-------------|------|
| | 18.0 / 12.0 | | 21.0 / 15.0 | | 23.0 / 16.0 | | 27.0 / 19.0 | | 29.0 / 21.0 | | 32.0 / 23.0 | |
| (°CDB) | TC | SHC | TC | SHC | TC | SHC | TC | SHC | TC | SHC | TC | SHC |
| -10.0 | 4.75 | 2.88 | 5.37 | 3.28 | 5.66 | 3.78 | 6.06 | 4.24 | 6.48 | 4.64 | 6.68 | 5.32 |
| -5.0 | 4.75 | 2.88 | 5.37 | 3.28 | 5.66 | 3.78 | 6.06 | 4.24 | 6.48 | 4.64 | 6.68 | 5.32 |
| 0.0 | 4.75 | 2.88 | 5.37 | 3.28 | 5.66 | 3.78 | 6.06 | 4.24 | 6.48 | 4.64 | 6.68 | 5.32 |
| 5.0 | 4.75 | 2.88 | 5.37 | 3.28 | 5.66 | 3.78 | 6.06 | 4.24 | 6.48 | 4.64 | 6.68 | 5.32 |
| 10.0 | 4.75 | 2.88 | 5.37 | 3.28 | 5.66 | 3.78 | 6.06 | 4.24 | 6.48 | 4.64 | 6.68 | 5.32 |
| 15.0 | 4.75 | 2.88 | 5.37 | 3.28 | 5.66 | 3.78 | 6.06 | 4.24 | 6.48 | 4.64 | 6.68 | 5.32 |
| 20.0 | 4.75 | 2.88 | 5.37 | 3.28 | 5.66 | 3.78 | 6.06 | 4.24 | 6.48 | 4.64 | 6.68 | 5.32 |
| 25.0 | 4.75 | 2.88 | 5.37 | 3.28 | 5.66 | 3.78 | 6.06 | 4.24 | 6.48 | 4.64 | 6.68 | 5.32 |
| 30.0 | 4.75 | 2.88 | 5.37 | 3.28 | 5.66 | 3.78 | 6.06 | 4.24 | 6.48 | 4.64 | 6.68 | 5.32 |
| 35.0 | 4.75 | 2.88 | 5.37 | 3.28 | 5.66 | 3.78 | 6.06 | 4.24 | 6.48 | 4.64 | 6.68 | 5.32 |
| 40.0 | 3.93 | 1.97 | 4.44 | 2.25 | 4.68 | 2.59 | 5.02 | 2.91 | 5.36 | 3.18 | 5.53 | 3.64 |
| 46.0 | 3.11 | 1.24 | 3.52 | 1.41 | 3.71 | 1.62 | 3.97 | 1.82 | 4.25 | 1.99 | 4.38 | 2.28 |

Model: AUXG22KVLA

| Outdoor temperature | Indoor temperature (°CDB / °CWB) | | | | | | | | | | | |
|---------------------|----------------------------------|------|-------------|------|-------------|------|-------------|------|-------------|------|-------------|------|
| | 18.0 / 12.0 | | 21.0 / 15.0 | | 23.0 / 16.0 | | 27.0 / 19.0 | | 29.0 / 21.0 | | 32.0 / 23.0 | |
| (°CDB) | TC | SHC | TC | SHC | TC | SHC | TC | SHC | TC | SHC | TC | SHC |
| -10.0 | 6.01 | 3.65 | 6.79 | 4.16 | 7.15 | 4.80 | 7.66 | 5.39 | 8.19 | 5.89 | 8.44 | 6.75 |
| -5.0 | 6.01 | 3.65 | 6.79 | 4.16 | 7.15 | 4.80 | 7.66 | 5.39 | 8.19 | 5.89 | 8.44 | 6.75 |
| 0.0 | 6.01 | 3.65 | 6.79 | 4.16 | 7.15 | 4.80 | 7.66 | 5.39 | 8.19 | 5.89 | 8.44 | 6.75 |
| 5.0 | 6.01 | 3.65 | 6.79 | 4.16 | 7.15 | 4.80 | 7.66 | 5.39 | 8.19 | 5.89 | 8.44 | 6.75 |
| 10.0 | 6.01 | 3.65 | 6.79 | 4.16 | 7.15 | 4.80 | 7.66 | 5.39 | 8.19 | 5.89 | 8.44 | 6.75 |
| 15.0 | 6.01 | 3.65 | 6.79 | 4.16 | 7.15 | 4.80 | 7.66 | 5.39 | 8.19 | 5.89 | 8.44 | 6.75 |
| 20.0 | 6.01 | 3.65 | 6.79 | 4.16 | 7.15 | 4.80 | 7.66 | 5.39 | 8.19 | 5.89 | 8.44 | 6.75 |
| 25.0 | 6.01 | 3.65 | 6.79 | 4.16 | 7.15 | 4.80 | 7.66 | 5.39 | 8.19 | 5.89 | 8.44 | 6.75 |
| 30.0 | 6.01 | 3.65 | 6.79 | 4.16 | 7.15 | 4.80 | 7.66 | 5.39 | 8.19 | 5.89 | 8.44 | 6.75 |
| 35.0 | 6.01 | 3.65 | 6.79 | 4.16 | 7.15 | 4.80 | 7.66 | 5.39 | 8.19 | 5.89 | 8.44 | 6.75 |
| 40.0 | 4.97 | 2.50 | 5.62 | 2.85 | 5.92 | 3.28 | 6.34 | 3.69 | 6.78 | 4.04 | 6.99 | 4.62 |
| 46.0 | 3.94 | 1.57 | 4.45 | 1.79 | 4.69 | 2.06 | 5.02 | 2.31 | 5.37 | 2.53 | 5.53 | 2.90 |

NOTES:

- TC: Total Capacity (kW), SHC: Sensible Heat Capacity (kW)
- Values mentioned in the table are based on the following conditions:
 - Pipe length: 5 m, Height difference: 0 m (Outdoor unit—Indoor unit)

● Mini duct type

Model: ARXG07KSLAP

| Outdoor temperature | Indoor temperature (°CDB / °CWB) | | | | | | | | | | | |
|---------------------|----------------------------------|------|-------------|------|-------------|------|-------------|------|-------------|------|-------------|------|
| | 18.0 / 12.0 | | 21.0 / 15.0 | | 23.0 / 16.0 | | 27.0 / 19.0 | | 29.0 / 21.0 | | 32.0 / 23.0 | |
| (°CDB) | TC | SHC | TC | SHC | TC | SHC | TC | SHC | TC | SHC | TC | SHC |
| -10.0 | 1.96 | 1.36 | 2.22 | 1.55 | 2.34 | 1.78 | 2.50 | 2.00 | 2.67 | 2.19 | 2.76 | 2.51 |
| -5.0 | 1.96 | 1.36 | 2.22 | 1.55 | 2.34 | 1.78 | 2.50 | 2.00 | 2.67 | 2.19 | 2.76 | 2.51 |
| 0.0 | 1.96 | 1.36 | 2.22 | 1.55 | 2.34 | 1.78 | 2.50 | 2.00 | 2.67 | 2.19 | 2.76 | 2.51 |
| 5.0 | 1.96 | 1.36 | 2.22 | 1.55 | 2.34 | 1.78 | 2.50 | 2.00 | 2.67 | 2.19 | 2.76 | 2.51 |
| 10.0 | 1.96 | 1.36 | 2.22 | 1.55 | 2.34 | 1.78 | 2.50 | 2.00 | 2.67 | 2.19 | 2.76 | 2.51 |
| 15.0 | 1.96 | 1.36 | 2.22 | 1.55 | 2.34 | 1.78 | 2.50 | 2.00 | 2.67 | 2.19 | 2.76 | 2.51 |
| 20.0 | 1.96 | 1.36 | 2.22 | 1.55 | 2.34 | 1.78 | 2.50 | 2.00 | 2.67 | 2.19 | 2.76 | 2.51 |
| 25.0 | 1.96 | 1.36 | 2.22 | 1.55 | 2.34 | 1.78 | 2.50 | 2.00 | 2.67 | 2.19 | 2.76 | 2.51 |
| 30.0 | 1.96 | 1.36 | 2.22 | 1.55 | 2.34 | 1.78 | 2.50 | 2.00 | 2.67 | 2.19 | 2.76 | 2.51 |
| 35.0 | 1.96 | 1.36 | 2.22 | 1.55 | 2.34 | 1.78 | 2.50 | 2.00 | 2.67 | 2.19 | 2.76 | 2.51 |
| 40.0 | 1.62 | 0.93 | 1.83 | 1.06 | 1.93 | 1.22 | 2.07 | 1.37 | 2.21 | 1.50 | 2.28 | 1.72 |
| 46.0 | 1.28 | 0.58 | 1.45 | 0.66 | 1.53 | 0.76 | 1.64 | 0.86 | 1.75 | 0.94 | 1.81 | 1.08 |

OUTDOOR UNIT
AOYG30KBTA4OUTDOOR UNIT
AOYG30KBTA4

Model: ARXG09KSLAP

| Outdoor temperature | Indoor temperature (°CDB / °CWB) | | | | | | | | | | | |
|---------------------|----------------------------------|------|-------------|------|-------------|------|-------------|------|-------------|------|-------------|------|
| | 18.0 / 12.0 | | 21.0 / 15.0 | | 23.0 / 16.0 | | 27.0 / 19.0 | | 29.0 / 21.0 | | 32.0 / 23.0 | |
| (°CDB) | TC | SHC | TC | SHC | TC | SHC | TC | SHC | TC | SHC | TC | SHC |
| -10.0 | 2.51 | 1.61 | 2.84 | 1.83 | 2.99 | 2.11 | 3.20 | 2.37 | 3.42 | 2.59 | 3.53 | 2.97 |
| -5.0 | 2.51 | 1.61 | 2.84 | 1.83 | 2.99 | 2.11 | 3.20 | 2.37 | 3.42 | 2.59 | 3.53 | 2.97 |
| 0.0 | 2.51 | 1.61 | 2.84 | 1.83 | 2.99 | 2.11 | 3.20 | 2.37 | 3.42 | 2.59 | 3.53 | 2.97 |
| 5.0 | 2.51 | 1.61 | 2.84 | 1.83 | 2.99 | 2.11 | 3.20 | 2.37 | 3.42 | 2.59 | 3.53 | 2.97 |
| 10.0 | 2.51 | 1.61 | 2.84 | 1.83 | 2.99 | 2.11 | 3.20 | 2.37 | 3.42 | 2.59 | 3.53 | 2.97 |
| 15.0 | 2.51 | 1.61 | 2.84 | 1.83 | 2.99 | 2.11 | 3.20 | 2.37 | 3.42 | 2.59 | 3.53 | 2.97 |
| 20.0 | 2.51 | 1.61 | 2.84 | 1.83 | 2.99 | 2.11 | 3.20 | 2.37 | 3.42 | 2.59 | 3.53 | 2.97 |
| 25.0 | 2.51 | 1.61 | 2.84 | 1.83 | 2.99 | 2.11 | 3.20 | 2.37 | 3.42 | 2.59 | 3.53 | 2.97 |
| 30.0 | 2.51 | 1.61 | 2.84 | 1.83 | 2.99 | 2.11 | 3.20 | 2.37 | 3.42 | 2.59 | 3.53 | 2.97 |
| 35.0 | 2.51 | 1.61 | 2.84 | 1.83 | 2.99 | 2.11 | 3.20 | 2.37 | 3.42 | 2.59 | 3.53 | 2.97 |
| 40.0 | 2.08 | 1.10 | 2.35 | 1.25 | 2.47 | 1.44 | 2.65 | 1.62 | 2.83 | 1.77 | 2.92 | 2.03 |
| 46.0 | 1.64 | 0.69 | 1.86 | 0.79 | 1.96 | 0.91 | 2.10 | 1.02 | 2.24 | 1.11 | 2.31 | 1.27 |

Model: ARXG12KSLAP

| Outdoor temperature | Indoor temperature (°CDB / °CWB) | | | | | | | | | | | |
|---------------------|----------------------------------|------|-------------|------|-------------|------|-------------|------|-------------|------|-------------|------|
| | 18.0 / 12.0 | | 21.0 / 15.0 | | 23.0 / 16.0 | | 27.0 / 19.0 | | 29.0 / 21.0 | | 32.0 / 23.0 | |
| (°CDB) | TC | SHC | TC | SHC | TC | SHC | TC | SHC | TC | SHC | TC | SHC |
| -10.0 | 3.37 | 2.16 | 3.81 | 2.46 | 4.02 | 2.83 | 4.30 | 3.18 | 4.60 | 3.48 | 4.74 | 3.99 |
| -5.0 | 3.37 | 2.16 | 3.81 | 2.46 | 4.02 | 2.83 | 4.30 | 3.18 | 4.60 | 3.48 | 4.74 | 3.99 |
| 0.0 | 3.37 | 2.16 | 3.81 | 2.46 | 4.02 | 2.83 | 4.30 | 3.18 | 4.60 | 3.48 | 4.74 | 3.99 |
| 5.0 | 3.37 | 2.16 | 3.81 | 2.46 | 4.02 | 2.83 | 4.30 | 3.18 | 4.60 | 3.48 | 4.74 | 3.99 |
| 10.0 | 3.37 | 2.16 | 3.81 | 2.46 | 4.02 | 2.83 | 4.30 | 3.18 | 4.60 | 3.48 | 4.74 | 3.99 |
| 15.0 | 3.37 | 2.16 | 3.81 | 2.46 | 4.02 | 2.83 | 4.30 | 3.18 | 4.60 | 3.48 | 4.74 | 3.99 |
| 20.0 | 3.37 | 2.16 | 3.81 | 2.46 | 4.02 | 2.83 | 4.30 | 3.18 | 4.60 | 3.48 | 4.74 | 3.99 |
| 25.0 | 3.37 | 2.16 | 3.81 | 2.46 | 4.02 | 2.83 | 4.30 | 3.18 | 4.60 | 3.48 | 4.74 | 3.99 |
| 30.0 | 3.37 | 2.16 | 3.81 | 2.46 | 4.02 | 2.83 | 4.30 | 3.18 | 4.60 | 3.48 | 4.74 | 3.99 |
| 35.0 | 3.37 | 2.16 | 3.81 | 2.46 | 4.02 | 2.83 | 4.30 | 3.18 | 4.60 | 3.48 | 4.74 | 3.99 |
| 40.0 | 2.79 | 1.48 | 3.15 | 1.69 | 3.32 | 1.94 | 3.56 | 2.18 | 3.80 | 2.38 | 3.92 | 2.73 |
| 46.0 | 2.21 | 0.93 | 2.50 | 1.06 | 2.63 | 1.22 | 2.82 | 1.37 | 3.01 | 1.49 | 3.11 | 1.71 |

Model: ARXG14KSLAP

| Outdoor temperature | Indoor temperature (°CDB / °CWB) | | | | | | | | | | | |
|---------------------|----------------------------------|------|-------------|------|-------------|------|-------------|------|-------------|------|-------------|------|
| | 18.0 / 12.0 | | 21.0 / 15.0 | | 23.0 / 16.0 | | 27.0 / 19.0 | | 29.0 / 21.0 | | 32.0 / 23.0 | |
| (°CDB) | TC | SHC | TC | SHC | TC | SHC | TC | SHC | TC | SHC | TC | SHC |
| -10.0 | 3.92 | 2.41 | 4.43 | 2.74 | 4.67 | 3.16 | 5.00 | 3.55 | 5.35 | 3.88 | 5.51 | 4.45 |
| -5.0 | 3.92 | 2.41 | 4.43 | 2.74 | 4.67 | 3.16 | 5.00 | 3.55 | 5.35 | 3.88 | 5.51 | 4.45 |
| 0.0 | 3.92 | 2.41 | 4.43 | 2.74 | 4.67 | 3.16 | 5.00 | 3.55 | 5.35 | 3.88 | 5.51 | 4.45 |
| 5.0 | 3.92 | 2.41 | 4.43 | 2.74 | 4.67 | 3.16 | 5.00 | 3.55 | 5.35 | 3.88 | 5.51 | 4.45 |
| 10.0 | 3.92 | 2.41 | 4.43 | 2.74 | 4.67 | 3.16 | 5.00 | 3.55 | 5.35 | 3.88 | 5.51 | 4.45 |
| 15.0 | 3.92 | 2.41 | 4.43 | 2.74 | 4.67 | 3.16 | 5.00 | 3.55 | 5.35 | 3.88 | 5.51 | 4.45 |
| 20.0 | 3.92 | 2.41 | 4.43 | 2.74 | 4.67 | 3.16 | 5.00 | 3.55 | 5.35 | 3.88 | 5.51 | 4.45 |
| 25.0 | 3.92 | 2.41 | 4.43 | 2.74 | 4.67 | 3.16 | 5.00 | 3.55 | 5.35 | 3.88 | 5.51 | 4.45 |
| 30.0 | 3.92 | 2.41 | 4.43 | 2.74 | 4.67 | 3.16 | 5.00 | 3.55 | 5.35 | 3.88 | 5.51 | 4.45 |
| 35.0 | 3.92 | 2.41 | 4.43 | 2.74 | 4.67 | 3.16 | 5.00 | 3.55 | 5.35 | 3.88 | 5.51 | 4.45 |
| 40.0 | 3.24 | 1.65 | 3.67 | 1.88 | 3.87 | 2.16 | 4.14 | 2.43 | 4.42 | 2.66 | 4.56 | 3.05 |
| 46.0 | 2.57 | 1.03 | 2.90 | 1.18 | 3.06 | 1.36 | 3.28 | 1.52 | 3.50 | 1.67 | 3.61 | 1.91 |

Model: ARXG18KSLAP

| Outdoor temperature (°CDB) | Indoor temperature (°CDB / °CWB) | | | | | | | | | | | |
|-------------------------------|----------------------------------|------|-------------|------|-------------|------|-------------|------|-------------|------|-------------|------|
| | 18.0 / 12.0 | | 21.0 / 15.0 | | 23.0 / 16.0 | | 27.0 / 19.0 | | 29.0 / 21.0 | | 32.0 / 23.0 | |
| | TC | SHC | TC | SHC | TC | SHC | TC | SHC | TC | SHC | TC | SHC |
| -10.0 | 4.75 | 2.96 | 5.37 | 3.37 | 5.66 | 3.88 | 6.06 | 4.36 | 6.48 | 4.77 | 6.68 | 5.47 |
| -5.0 | 4.75 | 2.96 | 5.37 | 3.37 | 5.66 | 3.88 | 6.06 | 4.36 | 6.48 | 4.77 | 6.68 | 5.47 |
| 0.0 | 4.75 | 2.96 | 5.37 | 3.37 | 5.66 | 3.88 | 6.06 | 4.36 | 6.48 | 4.77 | 6.68 | 5.47 |
| 5.0 | 4.75 | 2.96 | 5.37 | 3.37 | 5.66 | 3.88 | 6.06 | 4.36 | 6.48 | 4.77 | 6.68 | 5.47 |
| 10.0 | 4.75 | 2.96 | 5.37 | 3.37 | 5.66 | 3.88 | 6.06 | 4.36 | 6.48 | 4.77 | 6.68 | 5.47 |
| 15.0 | 4.75 | 2.96 | 5.37 | 3.37 | 5.66 | 3.88 | 6.06 | 4.36 | 6.48 | 4.77 | 6.68 | 5.47 |
| 20.0 | 4.75 | 2.96 | 5.37 | 3.37 | 5.66 | 3.88 | 6.06 | 4.36 | 6.48 | 4.77 | 6.68 | 5.47 |
| 25.0 | 4.75 | 2.96 | 5.37 | 3.37 | 5.66 | 3.88 | 6.06 | 4.36 | 6.48 | 4.77 | 6.68 | 5.47 |
| 30.0 | 4.75 | 2.96 | 5.37 | 3.37 | 5.66 | 3.88 | 6.06 | 4.36 | 6.48 | 4.77 | 6.68 | 5.47 |
| 35.0 | 4.75 | 2.96 | 5.37 | 3.37 | 5.66 | 3.88 | 6.06 | 4.36 | 6.48 | 4.77 | 6.68 | 5.47 |
| 40.0 | 3.93 | 2.03 | 4.44 | 2.31 | 4.68 | 2.66 | 5.02 | 2.99 | 5.36 | 3.27 | 5.53 | 3.75 |
| 46.0 | 3.11 | 1.27 | 3.52 | 1.45 | 3.71 | 1.67 | 3.97 | 1.87 | 4.25 | 2.05 | 4.38 | 2.35 |

NOTES:

- TC: Total Capacity (kW), SHC: Sensible Heat Capacity (kW)
- Values mentioned in the table are based on the following conditions:
 - Pipe length: 5 m, Height difference: 0 m [Outdoor unit—Indoor unit]

● Slim duct type

Model: ARXG07KLLAP

| Outdoor temperature | Indoor temperature (°CDB / °CWB) | | | | | | | | | | | |
|---------------------|----------------------------------|------|-------------|------|-------------|------|-------------|------|-------------|------|-------------|------|
| | 18.0 / 12.0 | | 21.0 / 15.0 | | 23.0 / 16.0 | | 27.0 / 19.0 | | 29.0 / 21.0 | | 32.0 / 23.0 | |
| (°CDB) | TC | SHC | TC | SHC | TC | SHC | TC | SHC | TC | SHC | TC | SHC |
| -10.0 | 1.96 | 1.36 | 2.22 | 1.55 | 2.34 | 1.78 | 2.50 | 2.00 | 2.67 | 2.19 | 2.76 | 2.51 |
| -5.0 | 1.96 | 1.36 | 2.22 | 1.55 | 2.34 | 1.78 | 2.50 | 2.00 | 2.67 | 2.19 | 2.76 | 2.51 |
| 0.0 | 1.96 | 1.36 | 2.22 | 1.55 | 2.34 | 1.78 | 2.50 | 2.00 | 2.67 | 2.19 | 2.76 | 2.51 |
| 5.0 | 1.96 | 1.36 | 2.22 | 1.55 | 2.34 | 1.78 | 2.50 | 2.00 | 2.67 | 2.19 | 2.76 | 2.51 |
| 10.0 | 1.96 | 1.36 | 2.22 | 1.55 | 2.34 | 1.78 | 2.50 | 2.00 | 2.67 | 2.19 | 2.76 | 2.51 |
| 15.0 | 1.96 | 1.36 | 2.22 | 1.55 | 2.34 | 1.78 | 2.50 | 2.00 | 2.67 | 2.19 | 2.76 | 2.51 |
| 20.0 | 1.96 | 1.36 | 2.22 | 1.55 | 2.34 | 1.78 | 2.50 | 2.00 | 2.67 | 2.19 | 2.76 | 2.51 |
| 25.0 | 1.96 | 1.36 | 2.22 | 1.55 | 2.34 | 1.78 | 2.50 | 2.00 | 2.67 | 2.19 | 2.76 | 2.51 |
| 30.0 | 1.96 | 1.36 | 2.22 | 1.55 | 2.34 | 1.78 | 2.50 | 2.00 | 2.67 | 2.19 | 2.76 | 2.51 |
| 35.0 | 1.96 | 1.36 | 2.22 | 1.55 | 2.34 | 1.78 | 2.50 | 2.00 | 2.67 | 2.19 | 2.76 | 2.51 |
| 40.0 | 1.62 | 0.93 | 1.83 | 1.06 | 1.93 | 1.22 | 2.07 | 1.37 | 2.21 | 1.50 | 2.28 | 1.72 |
| 46.0 | 1.28 | 0.58 | 1.45 | 0.66 | 1.53 | 0.76 | 1.64 | 0.86 | 1.75 | 0.94 | 1.81 | 1.08 |

OUTDOOR UNIT
AOYG30KBTA4OUTDOOR UNIT
AOYG30KBTA4

Model: ARXG09KLLAP

| Outdoor temperature | Indoor temperature (°CDB / °CWB) | | | | | | | | | | | |
|---------------------|----------------------------------|------|-------------|------|-------------|------|-------------|------|-------------|------|-------------|------|
| | 18.0 / 12.0 | | 21.0 / 15.0 | | 23.0 / 16.0 | | 27.0 / 19.0 | | 29.0 / 21.0 | | 32.0 / 23.0 | |
| (°CDB) | TC | SHC | TC | SHC | TC | SHC | TC | SHC | TC | SHC | TC | SHC |
| -10.0 | 2.51 | 1.67 | 2.84 | 1.90 | 2.99 | 2.19 | 3.20 | 2.46 | 3.42 | 2.69 | 3.53 | 3.09 |
| -5.0 | 2.51 | 1.67 | 2.84 | 1.90 | 2.99 | 2.19 | 3.20 | 2.46 | 3.42 | 2.69 | 3.53 | 3.09 |
| 0.0 | 2.51 | 1.67 | 2.84 | 1.90 | 2.99 | 2.19 | 3.20 | 2.46 | 3.42 | 2.69 | 3.53 | 3.09 |
| 5.0 | 2.51 | 1.67 | 2.84 | 1.90 | 2.99 | 2.19 | 3.20 | 2.46 | 3.42 | 2.69 | 3.53 | 3.09 |
| 10.0 | 2.51 | 1.67 | 2.84 | 1.90 | 2.99 | 2.19 | 3.20 | 2.46 | 3.42 | 2.69 | 3.53 | 3.09 |
| 15.0 | 2.51 | 1.67 | 2.84 | 1.90 | 2.99 | 2.19 | 3.20 | 2.46 | 3.42 | 2.69 | 3.53 | 3.09 |
| 20.0 | 2.51 | 1.67 | 2.84 | 1.90 | 2.99 | 2.19 | 3.20 | 2.46 | 3.42 | 2.69 | 3.53 | 3.09 |
| 25.0 | 2.51 | 1.67 | 2.84 | 1.90 | 2.99 | 2.19 | 3.20 | 2.46 | 3.42 | 2.69 | 3.53 | 3.09 |
| 30.0 | 2.51 | 1.67 | 2.84 | 1.90 | 2.99 | 2.19 | 3.20 | 2.46 | 3.42 | 2.69 | 3.53 | 3.09 |
| 35.0 | 2.51 | 1.67 | 2.84 | 1.90 | 2.99 | 2.19 | 3.20 | 2.46 | 3.42 | 2.69 | 3.53 | 3.09 |
| 40.0 | 2.08 | 1.14 | 2.35 | 1.30 | 2.47 | 1.50 | 2.65 | 1.69 | 2.83 | 1.85 | 2.92 | 2.11 |
| 46.0 | 1.64 | 0.72 | 1.86 | 0.82 | 1.96 | 0.94 | 2.10 | 1.06 | 2.24 | 1.16 | 2.31 | 1.33 |

Model: ARXG12KLLAP

| Outdoor temperature | Indoor temperature (°CDB / °CWB) | | | | | | | | | | | |
|---------------------|----------------------------------|------|-------------|------|-------------|------|-------------|------|-------------|------|-------------|------|
| | 18.0 / 12.0 | | 21.0 / 15.0 | | 23.0 / 16.0 | | 27.0 / 19.0 | | 29.0 / 21.0 | | 32.0 / 23.0 | |
| (°CDB) | TC | SHC | TC | SHC | TC | SHC | TC | SHC | TC | SHC | TC | SHC |
| -10.0 | 3.37 | 2.27 | 3.81 | 2.59 | 4.02 | 2.99 | 4.30 | 3.35 | 4.60 | 3.67 | 4.74 | 4.20 |
| -5.0 | 3.37 | 2.27 | 3.81 | 2.59 | 4.02 | 2.99 | 4.30 | 3.35 | 4.60 | 3.67 | 4.74 | 4.20 |
| 0.0 | 3.37 | 2.27 | 3.81 | 2.59 | 4.02 | 2.99 | 4.30 | 3.35 | 4.60 | 3.67 | 4.74 | 4.20 |
| 5.0 | 3.37 | 2.27 | 3.81 | 2.59 | 4.02 | 2.99 | 4.30 | 3.35 | 4.60 | 3.67 | 4.74 | 4.20 |
| 10.0 | 3.37 | 2.27 | 3.81 | 2.59 | 4.02 | 2.99 | 4.30 | 3.35 | 4.60 | 3.67 | 4.74 | 4.20 |
| 15.0 | 3.37 | 2.27 | 3.81 | 2.59 | 4.02 | 2.99 | 4.30 | 3.35 | 4.60 | 3.67 | 4.74 | 4.20 |
| 20.0 | 3.37 | 2.27 | 3.81 | 2.59 | 4.02 | 2.99 | 4.30 | 3.35 | 4.60 | 3.67 | 4.74 | 4.20 |
| 25.0 | 3.37 | 2.27 | 3.81 | 2.59 | 4.02 | 2.99 | 4.30 | 3.35 | 4.60 | 3.67 | 4.74 | 4.20 |
| 30.0 | 3.37 | 2.27 | 3.81 | 2.59 | 4.02 | 2.99 | 4.30 | 3.35 | 4.60 | 3.67 | 4.74 | 4.20 |
| 35.0 | 3.37 | 2.27 | 3.81 | 2.59 | 4.02 | 2.99 | 4.30 | 3.35 | 4.60 | 3.67 | 4.74 | 4.20 |
| 40.0 | 2.79 | 1.56 | 3.15 | 1.78 | 3.32 | 2.04 | 3.56 | 2.30 | 3.80 | 2.51 | 3.92 | 2.88 |
| 46.0 | 2.21 | 0.98 | 2.50 | 1.11 | 2.63 | 1.28 | 2.82 | 1.44 | 3.01 | 1.58 | 3.11 | 1.80 |

Model: ARXG14KLLAP

| Outdoor temperature | Indoor temperature (°CDB / °CWB) | | | | | | | | | | | |
|---------------------|----------------------------------|------|-------------|------|-------------|------|-------------|------|-------------|------|-------------|------|
| | 18.0 / 12.0 | | 21.0 / 15.0 | | 23.0 / 16.0 | | 27.0 / 19.0 | | 29.0 / 21.0 | | 32.0 / 23.0 | |
| (°CDB) | TC | SHC | TC | SHC | TC | SHC | TC | SHC | TC | SHC | TC | SHC |
| -10.0 | 3.92 | 2.51 | 4.43 | 2.86 | 4.67 | 3.29 | 5.00 | 3.70 | 5.35 | 4.05 | 5.51 | 4.64 |
| -5.0 | 3.92 | 2.51 | 4.43 | 2.86 | 4.67 | 3.29 | 5.00 | 3.70 | 5.35 | 4.05 | 5.51 | 4.64 |
| 0.0 | 3.92 | 2.51 | 4.43 | 2.86 | 4.67 | 3.29 | 5.00 | 3.70 | 5.35 | 4.05 | 5.51 | 4.64 |
| 5.0 | 3.92 | 2.51 | 4.43 | 2.86 | 4.67 | 3.29 | 5.00 | 3.70 | 5.35 | 4.05 | 5.51 | 4.64 |
| 10.0 | 3.92 | 2.51 | 4.43 | 2.86 | 4.67 | 3.29 | 5.00 | 3.70 | 5.35 | 4.05 | 5.51 | 4.64 |
| 15.0 | 3.92 | 2.51 | 4.43 | 2.86 | 4.67 | 3.29 | 5.00 | 3.70 | 5.35 | 4.05 | 5.51 | 4.64 |
| 20.0 | 3.92 | 2.51 | 4.43 | 2.86 | 4.67 | 3.29 | 5.00 | 3.70 | 5.35 | 4.05 | 5.51 | 4.64 |
| 25.0 | 3.92 | 2.51 | 4.43 | 2.86 | 4.67 | 3.29 | 5.00 | 3.70 | 5.35 | 4.05 | 5.51 | 4.64 |
| 30.0 | 3.92 | 2.51 | 4.43 | 2.86 | 4.67 | 3.29 | 5.00 | 3.70 | 5.35 | 4.05 | 5.51 | 4.64 |
| 35.0 | 3.92 | 2.51 | 4.43 | 2.86 | 4.67 | 3.29 | 5.00 | 3.70 | 5.35 | 4.05 | 5.51 | 4.64 |
| 40.0 | 3.24 | 1.72 | 3.67 | 1.96 | 3.87 | 2.26 | 4.14 | 2.53 | 4.42 | 2.77 | 4.56 | 3.18 |
| 46.0 | 2.57 | 1.08 | 2.90 | 1.23 | 3.06 | 1.41 | 3.28 | 1.59 | 3.50 | 1.74 | 3.61 | 1.99 |

Model: ARXG18KLLAP

| Outdoor temperature | Indoor temperature (°CDB / °CWB) | | | | | | | | | | | |
|---------------------|----------------------------------|------|-------------|------|-------------|------|-------------|------|-------------|------|-------------|------|
| | 18.0 / 12.0 | | 21.0 / 15.0 | | 23.0 / 16.0 | | 27.0 / 19.0 | | 29.0 / 21.0 | | 32.0 / 23.0 | |
| (°CDB) | TC | SHC | TC | SHC | TC | SHC | TC | SHC | TC | SHC | TC | SHC |
| -10.0 | 4.75 | 2.96 | 5.37 | 3.37 | 5.66 | 3.88 | 6.06 | 4.36 | 6.48 | 4.77 | 6.68 | 5.47 |
| -5.0 | 4.75 | 2.96 | 5.37 | 3.37 | 5.66 | 3.88 | 6.06 | 4.36 | 6.48 | 4.77 | 6.68 | 5.47 |
| 0.0 | 4.75 | 2.96 | 5.37 | 3.37 | 5.66 | 3.88 | 6.06 | 4.36 | 6.48 | 4.77 | 6.68 | 5.47 |
| 5.0 | 4.75 | 2.96 | 5.37 | 3.37 | 5.66 | 3.88 | 6.06 | 4.36 | 6.48 | 4.77 | 6.68 | 5.47 |
| 10.0 | 4.75 | 2.96 | 5.37 | 3.37 | 5.66 | 3.88 | 6.06 | 4.36 | 6.48 | 4.77 | 6.68 | 5.47 |
| 15.0 | 4.75 | 2.96 | 5.37 | 3.37 | 5.66 | 3.88 | 6.06 | 4.36 | 6.48 | 4.77 | 6.68 | 5.47 |
| 20.0 | 4.75 | 2.96 | 5.37 | 3.37 | 5.66 | 3.88 | 6.06 | 4.36 | 6.48 | 4.77 | 6.68 | 5.47 |
| 25.0 | 4.75 | 2.96 | 5.37 | 3.37 | 5.66 | 3.88 | 6.06 | 4.36 | 6.48 | 4.77 | 6.68 | 5.47 |
| 30.0 | 4.75 | 2.96 | 5.37 | 3.37 | 5.66 | 3.88 | 6.06 | 4.36 | 6.48 | 4.77 | 6.68 | 5.47 |
| 35.0 | 4.75 | 2.96 | 5.37 | 3.37 | 5.66 | 3.88 | 6.06 | 4.36 | 6.48 | 4.77 | 6.68 | 5.47 |
| 40.0 | 3.93 | 2.03 | 4.44 | 2.31 | 4.68 | 2.66 | 5.02 | 2.99 | 5.36 | 3.27 | 5.53 | 3.75 |
| 46.0 | 3.11 | 1.27 | 3.52 | 1.45 | 3.71 | 1.67 | 3.97 | 1.87 | 4.25 | 2.05 | 4.38 | 2.35 |

NOTES:

- TC: Total Capacity (kW), SHC: Sensible Heat Capacity (kW)
- Values mentioned in the table are based on the following conditions:
 - Pipe length: 5 m, Height difference: 0 m (Outdoor unit—Indoor unit)

● Medium static pressure duct type

Model: ARXG22KMLB

| Outdoor temperature | Indoor temperature (°CDB / °CWB) | | | | | | | | | | | |
|---------------------|----------------------------------|------|-------------|------|-------------|------|-------------|------|-------------|------|-------------|------|
| | 18.0 / 12.0 | | 21.0 / 15.0 | | 23.0 / 16.0 | | 27.0 / 19.0 | | 29.0 / 21.0 | | 32.0 / 23.0 | |
| (°CDB) | TC | SHC | TC | SHC | TC | SHC | TC | SHC | TC | SHC | TC | SHC |
| -10.0 | 6.01 | 3.96 | 6.79 | 4.51 | 7.15 | 5.19 | 7.66 | 5.83 | 8.19 | 6.38 | 8.44 | 7.31 |
| -5.0 | 6.01 | 3.96 | 6.79 | 4.51 | 7.15 | 5.19 | 7.66 | 5.83 | 8.19 | 6.38 | 8.44 | 7.31 |
| 0.0 | 6.01 | 3.96 | 6.79 | 4.51 | 7.15 | 5.19 | 7.66 | 5.83 | 8.19 | 6.38 | 8.44 | 7.31 |
| 5.0 | 6.01 | 3.96 | 6.79 | 4.51 | 7.15 | 5.19 | 7.66 | 5.83 | 8.19 | 6.38 | 8.44 | 7.31 |
| 10.0 | 6.01 | 3.96 | 6.79 | 4.51 | 7.15 | 5.19 | 7.66 | 5.83 | 8.19 | 6.38 | 8.44 | 7.31 |
| 15.0 | 6.01 | 3.96 | 6.79 | 4.51 | 7.15 | 5.19 | 7.66 | 5.83 | 8.19 | 6.38 | 8.44 | 7.31 |
| 20.0 | 6.01 | 3.96 | 6.79 | 4.51 | 7.15 | 5.19 | 7.66 | 5.83 | 8.19 | 6.38 | 8.44 | 7.31 |
| 25.0 | 6.01 | 3.96 | 6.79 | 4.51 | 7.15 | 5.19 | 7.66 | 5.83 | 8.19 | 6.38 | 8.44 | 7.31 |
| 30.0 | 6.01 | 3.96 | 6.79 | 4.51 | 7.15 | 5.19 | 7.66 | 5.83 | 8.19 | 6.38 | 8.44 | 7.31 |
| 35.0 | 6.01 | 3.96 | 6.79 | 4.51 | 7.15 | 5.19 | 7.66 | 5.83 | 8.19 | 6.38 | 8.44 | 7.31 |
| 40.0 | 4.97 | 2.71 | 5.62 | 3.09 | 5.92 | 3.56 | 6.34 | 4.00 | 6.78 | 4.37 | 6.99 | 5.01 |
| 46.0 | 3.94 | 1.70 | 4.45 | 1.94 | 4.69 | 2.23 | 5.02 | 2.51 | 5.37 | 2.74 | 5.53 | 3.14 |

Model: ARXH22KMTAP

| Outdoor temperature | Indoor temperature (°CDB / °CWB) | | | | | | | | | | | |
|---------------------|----------------------------------|------|-------------|------|-------------|------|-------------|------|-------------|------|-------------|------|
| | 18.0 / 12.0 | | 21.0 / 15.0 | | 23.0 / 16.0 | | 27.0 / 19.0 | | 29.0 / 21.0 | | 32.0 / 23.0 | |
| (°CDB) | TC | SHC | TC | SHC | TC | SHC | TC | SHC | TC | SHC | TC | SHC |
| -10.0 | 6.01 | 4.32 | 6.79 | 4.91 | 7.15 | 5.66 | 7.66 | 6.35 | 8.19 | 6.95 | 8.44 | 7.97 |
| -5.0 | 6.01 | 4.32 | 6.79 | 4.91 | 7.15 | 5.66 | 7.66 | 6.35 | 8.19 | 6.95 | 8.44 | 7.97 |
| 0.0 | 6.01 | 4.32 | 6.79 | 4.91 | 7.15 | 5.66 | 7.66 | 6.35 | 8.19 | 6.95 | 8.44 | 7.97 |
| 5.0 | 6.01 | 4.32 | 6.79 | 4.91 | 7.15 | 5.66 | 7.66 | 6.35 | 8.19 | 6.95 | 8.44 | 7.97 |
| 10.0 | 6.01 | 4.32 | 6.79 | 4.91 | 7.15 | 5.66 | 7.66 | 6.35 | 8.19 | 6.95 | 8.44 | 7.97 |
| 15.0 | 6.01 | 4.32 | 6.79 | 4.91 | 7.15 | 5.66 | 7.66 | 6.35 | 8.19 | 6.95 | 8.44 | 7.97 |
| 20.0 | 6.01 | 4.32 | 6.79 | 4.91 | 7.15 | 5.66 | 7.66 | 6.35 | 8.19 | 6.95 | 8.44 | 7.97 |
| 25.0 | 6.01 | 4.32 | 6.79 | 4.91 | 7.15 | 5.66 | 7.66 | 6.35 | 8.19 | 6.95 | 8.44 | 7.97 |
| 30.0 | 6.01 | 4.32 | 6.79 | 4.91 | 7.15 | 5.66 | 7.66 | 6.35 | 8.19 | 6.95 | 8.44 | 7.97 |
| 35.0 | 6.01 | 4.32 | 6.79 | 4.91 | 7.15 | 5.66 | 7.66 | 6.35 | 8.19 | 6.95 | 8.44 | 7.97 |
| 40.0 | 4.97 | 2.95 | 5.62 | 3.37 | 5.92 | 3.88 | 6.34 | 4.36 | 6.78 | 4.76 | 6.99 | 5.46 |
| 46.0 | 3.94 | 1.85 | 4.45 | 2.11 | 4.69 | 2.43 | 5.02 | 2.74 | 5.37 | 2.99 | 5.53 | 3.42 |

NOTES:

- TC: Total Capacity (kW), SHC: Sensible Heat Capacity (kW).
- Values mentioned in the table are based on the following conditions:
 - Pipe length: 5 m, Height difference: 0 m (Outdoor unit—Indoor unit)

● Wall mounted type

Model: ASYG07KGTB

| Outdoor temperature | Indoor temperature (°CDB / °CWB) | | | | | | | | | | | |
|---------------------|----------------------------------|------|-------------|------|-------------|------|-------------|------|-------------|------|-------------|------|
| | 18.0 / 12.0 | | 21.0 / 15.0 | | 23.0 / 16.0 | | 27.0 / 19.0 | | 29.0 / 21.0 | | 32.0 / 23.0 | |
| (°CDB) | TC | SHC | TC | SHC | TC | SHC | TC | SHC | TC | SHC | TC | SHC |
| -10.0 | 1.96 | 1.10 | 2.22 | 1.26 | 2.34 | 1.45 | 2.50 | 1.63 | 2.67 | 1.78 | 2.76 | 2.04 |
| -5.0 | 1.96 | 1.10 | 2.22 | 1.26 | 2.34 | 1.45 | 2.50 | 1.63 | 2.67 | 1.78 | 2.76 | 2.04 |
| 0.0 | 1.96 | 1.10 | 2.22 | 1.26 | 2.34 | 1.45 | 2.50 | 1.63 | 2.67 | 1.78 | 2.76 | 2.04 |
| 5.0 | 1.96 | 1.10 | 2.22 | 1.26 | 2.34 | 1.45 | 2.50 | 1.63 | 2.67 | 1.78 | 2.76 | 2.04 |
| 10.0 | 1.96 | 1.10 | 2.22 | 1.26 | 2.34 | 1.45 | 2.50 | 1.63 | 2.67 | 1.78 | 2.76 | 2.04 |
| 15.0 | 1.96 | 1.10 | 2.22 | 1.26 | 2.34 | 1.45 | 2.50 | 1.63 | 2.67 | 1.78 | 2.76 | 2.04 |
| 20.0 | 1.96 | 1.10 | 2.22 | 1.26 | 2.34 | 1.45 | 2.50 | 1.63 | 2.67 | 1.78 | 2.76 | 2.04 |
| 25.0 | 1.96 | 1.10 | 2.22 | 1.26 | 2.34 | 1.45 | 2.50 | 1.63 | 2.67 | 1.78 | 2.76 | 2.04 |
| 30.0 | 1.96 | 1.10 | 2.22 | 1.26 | 2.34 | 1.45 | 2.50 | 1.63 | 2.67 | 1.78 | 2.76 | 2.04 |
| 35.0 | 1.96 | 1.10 | 2.22 | 1.26 | 2.34 | 1.45 | 2.50 | 1.63 | 2.67 | 1.78 | 2.76 | 2.04 |
| 40.0 | 1.62 | 0.75 | 1.83 | 0.86 | 1.93 | 0.99 | 2.07 | 1.11 | 2.21 | 1.22 | 2.28 | 1.39 |
| 46.0 | 1.28 | 0.47 | 1.45 | 0.54 | 1.53 | 0.62 | 1.64 | 0.70 | 1.75 | 0.76 | 1.81 | 0.87 |

OUTDOOR UNIT
AOYG30KETA4OUTDOOR UNIT
AOYG30KETA4

Model: ASYG09KGTB

| Outdoor temperature | Indoor temperature (°CDB / °CWB) | | | | | | | | | | | |
|---------------------|----------------------------------|------|-------------|------|-------------|------|-------------|------|-------------|------|-------------|------|
| | 18.0 / 12.0 | | 21.0 / 15.0 | | 23.0 / 16.0 | | 27.0 / 19.0 | | 29.0 / 21.0 | | 32.0 / 23.0 | |
| (°CDB) | TC | SHC | TC | SHC | TC | SHC | TC | SHC | TC | SHC | TC | SHC |
| -10.0 | 2.51 | 1.41 | 2.84 | 1.61 | 2.99 | 1.85 | 3.20 | 2.08 | 3.42 | 2.27 | 3.53 | 2.61 |
| -5.0 | 2.51 | 1.41 | 2.84 | 1.61 | 2.99 | 1.85 | 3.20 | 2.08 | 3.42 | 2.27 | 3.53 | 2.61 |
| 0.0 | 2.51 | 1.41 | 2.84 | 1.61 | 2.99 | 1.85 | 3.20 | 2.08 | 3.42 | 2.27 | 3.53 | 2.61 |
| 5.0 | 2.51 | 1.41 | 2.84 | 1.61 | 2.99 | 1.85 | 3.20 | 2.08 | 3.42 | 2.27 | 3.53 | 2.61 |
| 10.0 | 2.51 | 1.41 | 2.84 | 1.61 | 2.99 | 1.85 | 3.20 | 2.08 | 3.42 | 2.27 | 3.53 | 2.61 |
| 15.0 | 2.51 | 1.41 | 2.84 | 1.61 | 2.99 | 1.85 | 3.20 | 2.08 | 3.42 | 2.27 | 3.53 | 2.61 |
| 20.0 | 2.51 | 1.41 | 2.84 | 1.61 | 2.99 | 1.85 | 3.20 | 2.08 | 3.42 | 2.27 | 3.53 | 2.61 |
| 25.0 | 2.51 | 1.41 | 2.84 | 1.61 | 2.99 | 1.85 | 3.20 | 2.08 | 3.42 | 2.27 | 3.53 | 2.61 |
| 30.0 | 2.51 | 1.41 | 2.84 | 1.61 | 2.99 | 1.85 | 3.20 | 2.08 | 3.42 | 2.27 | 3.53 | 2.61 |
| 35.0 | 2.51 | 1.41 | 2.84 | 1.61 | 2.99 | 1.85 | 3.20 | 2.08 | 3.42 | 2.27 | 3.53 | 2.61 |
| 40.0 | 2.08 | 0.97 | 2.35 | 1.10 | 2.47 | 1.27 | 2.65 | 1.42 | 2.83 | 1.56 | 2.92 | 1.79 |
| 46.0 | 1.64 | 0.61 | 1.86 | 0.69 | 1.96 | 0.79 | 2.10 | 0.89 | 2.24 | 0.98 | 2.31 | 1.12 |

Model: ASYG12KGTB

| Outdoor temperature | Indoor temperature (°CDB / °CWB) | | | | | | | | | | | |
|---------------------|----------------------------------|------|-------------|------|-------------|------|-------------|------|-------------|------|-------------|------|
| | 18.0 / 12.0 | | 21.0 / 15.0 | | 23.0 / 16.0 | | 27.0 / 19.0 | | 29.0 / 21.0 | | 32.0 / 23.0 | |
| (°CDB) | TC | SHC | TC | SHC | TC | SHC | TC | SHC | TC | SHC | TC | SHC |
| -10.0 | 3.37 | 1.90 | 3.81 | 2.16 | 4.02 | 2.49 | 4.30 | 2.80 | 4.60 | 3.06 | 4.74 | 3.50 |
| -5.0 | 3.37 | 1.90 | 3.81 | 2.16 | 4.02 | 2.49 | 4.30 | 2.80 | 4.60 | 3.06 | 4.74 | 3.50 |
| 0.0 | 3.37 | 1.90 | 3.81 | 2.16 | 4.02 | 2.49 | 4.30 | 2.80 | 4.60 | 3.06 | 4.74 | 3.50 |
| 5.0 | 3.37 | 1.90 | 3.81 | 2.16 | 4.02 | 2.49 | 4.30 | 2.80 | 4.60 | 3.06 | 4.74 | 3.50 |
| 10.0 | 3.37 | 1.90 | 3.81 | 2.16 | 4.02 | 2.49 | 4.30 | 2.80 | 4.60 | 3.06 | 4.74 | 3.50 |
| 15.0 | 3.37 | 1.90 | 3.81 | 2.16 | 4.02 | 2.49 | 4.30 | 2.80 | 4.60 | 3.06 | 4.74 | 3.50 |
| 20.0 | 3.37 | 1.90 | 3.81 | 2.16 | 4.02 | 2.49 | 4.30 | 2.80 | 4.60 | 3.06 | 4.74 | 3.50 |
| 25.0 | 3.37 | 1.90 | 3.81 | 2.16 | 4.02 | 2.49 | 4.30 | 2.80 | 4.60 | 3.06 | 4.74 | 3.50 |
| 30.0 | 3.37 | 1.90 | 3.81 | 2.16 | 4.02 | 2.49 | 4.30 | 2.80 | 4.60 | 3.06 | 4.74 | 3.50 |
| 35.0 | 3.37 | 1.90 | 3.81 | 2.16 | 4.02 | 2.49 | 4.30 | 2.80 | 4.60 | 3.06 | 4.74 | 3.50 |
| 40.0 | 2.79 | 1.30 | 3.15 | 1.48 | 3.32 | 1.70 | 3.56 | 1.91 | 3.80 | 2.09 | 3.92 | 2.40 |
| 46.0 | 2.21 | 0.81 | 2.50 | 0.93 | 2.63 | 1.07 | 2.82 | 1.20 | 3.01 | 1.31 | 3.11 | 1.50 |

Model: ASYG14KGTB

| Outdoor temperature | Indoor temperature (°CDB / °CWB) | | | | | | | | | | | |
|---------------------|----------------------------------|------|-------------|------|-------------|------|-------------|------|-------------|------|-------------|------|
| | 18.0 / 12.0 | | 21.0 / 15.0 | | 23.0 / 16.0 | | 27.0 / 19.0 | | 29.0 / 21.0 | | 32.0 / 23.0 | |
| (°CDB) | TC | SHC | TC | SHC | TC | SHC | TC | SHC | TC | SHC | TC | SHC |
| -10.0 | 3.92 | 2.20 | 4.43 | 2.51 | 4.67 | 2.89 | 5.00 | 3.25 | 5.35 | 3.55 | 5.51 | 4.07 |
| -5.0 | 3.92 | 2.20 | 4.43 | 2.51 | 4.67 | 2.89 | 5.00 | 3.25 | 5.35 | 3.55 | 5.51 | 4.07 |
| 0.0 | 3.92 | 2.20 | 4.43 | 2.51 | 4.67 | 2.89 | 5.00 | 3.25 | 5.35 | 3.55 | 5.51 | 4.07 |
| 5.0 | 3.92 | 2.20 | 4.43 | 2.51 | 4.67 | 2.89 | 5.00 | 3.25 | 5.35 | 3.55 | 5.51 | 4.07 |
| 10.0 | 3.92 | 2.20 | 4.43 | 2.51 | 4.67 | 2.89 | 5.00 | 3.25 | 5.35 | 3.55 | 5.51 | 4.07 |
| 15.0 | 3.92 | 2.20 | 4.43 | 2.51 | 4.67 | 2.89 | 5.00 | 3.25 | 5.35 | 3.55 | 5.51 | 4.07 |
| 20.0 | 3.92 | 2.20 | 4.43 | 2.51 | 4.67 | 2.89 | 5.00 | 3.25 | 5.35 | 3.55 | 5.51 | 4.07 |
| 25.0 | 3.92 | 2.20 | 4.43 | 2.51 | 4.67 | 2.89 | 5.00 | 3.25 | 5.35 | 3.55 | 5.51 | 4.07 |
| 30.0 | 3.92 | 2.20 | 4.43 | 2.51 | 4.67 | 2.89 | 5.00 | 3.25 | 5.35 | 3.55 | 5.51 | 4.07 |
| 35.0 | 3.92 | 2.20 | 4.43 | 2.51 | 4.67 | 2.89 | 5.00 | 3.25 | 5.35 | 3.55 | 5.51 | 4.07 |
| 40.0 | 3.24 | 1.51 | 3.67 | 1.72 | 3.87 | 1.98 | 4.14 | 2.23 | 4.42 | 2.43 | 4.56 | 2.79 |
| 46.0 | 2.57 | 0.95 | 2.90 | 1.08 | 3.06 | 1.24 | 3.28 | 1.40 | 3.50 | 1.53 | 3.61 | 1.75 |

Model: ASYG07KGTE

| Outdoor temperature | Indoor temperature (°CDB / °CWB) | | | | | | | | | | | |
|---------------------|----------------------------------|------|-------------|------|-------------|------|-------------|------|-------------|------|-------------|------|
| | 18.0 / 12.0 | | 21.0 / 15.0 | | 23.0 / 16.0 | | 27.0 / 19.0 | | 29.0 / 21.0 | | 32.0 / 23.0 | |
| (°CDB) | TC | SHC | TC | SHC | TC | SHC | TC | SHC | TC | SHC | TC | SHC |
| -10.0 | 1.96 | 1.10 | 2.22 | 1.26 | 2.34 | 1.45 | 2.50 | 1.63 | 2.67 | 1.78 | 2.76 | 2.04 |
| -5.0 | 1.96 | 1.10 | 2.22 | 1.26 | 2.34 | 1.45 | 2.50 | 1.63 | 2.67 | 1.78 | 2.76 | 2.04 |
| 0.0 | 1.96 | 1.10 | 2.22 | 1.26 | 2.34 | 1.45 | 2.50 | 1.63 | 2.67 | 1.78 | 2.76 | 2.04 |
| 5.0 | 1.96 | 1.10 | 2.22 | 1.26 | 2.34 | 1.45 | 2.50 | 1.63 | 2.67 | 1.78 | 2.76 | 2.04 |
| 10.0 | 1.96 | 1.10 | 2.22 | 1.26 | 2.34 | 1.45 | 2.50 | 1.63 | 2.67 | 1.78 | 2.76 | 2.04 |
| 15.0 | 1.96 | 1.10 | 2.22 | 1.26 | 2.34 | 1.45 | 2.50 | 1.63 | 2.67 | 1.78 | 2.76 | 2.04 |
| 20.0 | 1.96 | 1.10 | 2.22 | 1.26 | 2.34 | 1.45 | 2.50 | 1.63 | 2.67 | 1.78 | 2.76 | 2.04 |
| 25.0 | 1.96 | 1.10 | 2.22 | 1.26 | 2.34 | 1.45 | 2.50 | 1.63 | 2.67 | 1.78 | 2.76 | 2.04 |
| 30.0 | 1.96 | 1.10 | 2.22 | 1.26 | 2.34 | 1.45 | 2.50 | 1.63 | 2.67 | 1.78 | 2.76 | 2.04 |
| 35.0 | 1.96 | 1.10 | 2.22 | 1.26 | 2.34 | 1.45 | 2.50 | 1.63 | 2.67 | 1.78 | 2.76 | 2.04 |
| 40.0 | 1.62 | 0.75 | 1.83 | 0.86 | 1.93 | 0.99 | 2.07 | 1.11 | 2.21 | 1.22 | 2.28 | 1.39 |
| 46.0 | 1.28 | 0.47 | 1.45 | 0.54 | 1.53 | 0.62 | 1.64 | 0.70 | 1.75 | 0.76 | 1.81 | 0.87 |

OUTDOOR UNIT
AOYG30KETA4OUTDOOR UNIT
AOYG30KETA4

Model: ASYG09KGTE

| Outdoor temperature | Indoor temperature (°CDB / °CWB) | | | | | | | | | | | |
|---------------------|----------------------------------|------|-------------|------|-------------|------|-------------|------|-------------|------|-------------|------|
| | 18.0 / 12.0 | | 21.0 / 15.0 | | 23.0 / 16.0 | | 27.0 / 19.0 | | 29.0 / 21.0 | | 32.0 / 23.0 | |
| (°CDB) | TC | SHC | TC | SHC | TC | SHC | TC | SHC | TC | SHC | TC | SHC |
| -10.0 | 2.51 | 1.41 | 2.84 | 1.61 | 2.99 | 1.85 | 3.20 | 2.08 | 3.42 | 2.27 | 3.53 | 2.61 |
| -5.0 | 2.51 | 1.41 | 2.84 | 1.61 | 2.99 | 1.85 | 3.20 | 2.08 | 3.42 | 2.27 | 3.53 | 2.61 |
| 0.0 | 2.51 | 1.41 | 2.84 | 1.61 | 2.99 | 1.85 | 3.20 | 2.08 | 3.42 | 2.27 | 3.53 | 2.61 |
| 5.0 | 2.51 | 1.41 | 2.84 | 1.61 | 2.99 | 1.85 | 3.20 | 2.08 | 3.42 | 2.27 | 3.53 | 2.61 |
| 10.0 | 2.51 | 1.41 | 2.84 | 1.61 | 2.99 | 1.85 | 3.20 | 2.08 | 3.42 | 2.27 | 3.53 | 2.61 |
| 15.0 | 2.51 | 1.41 | 2.84 | 1.61 | 2.99 | 1.85 | 3.20 | 2.08 | 3.42 | 2.27 | 3.53 | 2.61 |
| 20.0 | 2.51 | 1.41 | 2.84 | 1.61 | 2.99 | 1.85 | 3.20 | 2.08 | 3.42 | 2.27 | 3.53 | 2.61 |
| 25.0 | 2.51 | 1.41 | 2.84 | 1.61 | 2.99 | 1.85 | 3.20 | 2.08 | 3.42 | 2.27 | 3.53 | 2.61 |
| 30.0 | 2.51 | 1.41 | 2.84 | 1.61 | 2.99 | 1.85 | 3.20 | 2.08 | 3.42 | 2.27 | 3.53 | 2.61 |
| 35.0 | 2.51 | 1.41 | 2.84 | 1.61 | 2.99 | 1.85 | 3.20 | 2.08 | 3.42 | 2.27 | 3.53 | 2.61 |
| 40.0 | 2.08 | 0.97 | 2.35 | 1.10 | 2.47 | 1.27 | 2.65 | 1.42 | 2.83 | 1.56 | 2.92 | 1.79 |
| 46.0 | 1.64 | 0.61 | 1.86 | 0.69 | 1.96 | 0.79 | 2.10 | 0.89 | 2.24 | 0.98 | 2.31 | 1.12 |

Model: ASYG12KGTE

| Outdoor temperature | Indoor temperature (°CDB / °CWB) | | | | | | | | | | | |
|---------------------|----------------------------------|------|-------------|------|-------------|------|-------------|------|-------------|------|-------------|------|
| | 18.0 / 12.0 | | 21.0 / 15.0 | | 23.0 / 16.0 | | 27.0 / 19.0 | | 29.0 / 21.0 | | 32.0 / 23.0 | |
| (°CDB) | TC | SHC | TC | SHC | TC | SHC | TC | SHC | TC | SHC | TC | SHC |
| -10.0 | 3.37 | 1.90 | 3.81 | 2.16 | 4.02 | 2.49 | 4.30 | 2.80 | 4.60 | 3.06 | 4.74 | 3.50 |
| -5.0 | 3.37 | 1.90 | 3.81 | 2.16 | 4.02 | 2.49 | 4.30 | 2.80 | 4.60 | 3.06 | 4.74 | 3.50 |
| 0.0 | 3.37 | 1.90 | 3.81 | 2.16 | 4.02 | 2.49 | 4.30 | 2.80 | 4.60 | 3.06 | 4.74 | 3.50 |
| 5.0 | 3.37 | 1.90 | 3.81 | 2.16 | 4.02 | 2.49 | 4.30 | 2.80 | 4.60 | 3.06 | 4.74 | 3.50 |
| 10.0 | 3.37 | 1.90 | 3.81 | 2.16 | 4.02 | 2.49 | 4.30 | 2.80 | 4.60 | 3.06 | 4.74 | 3.50 |
| 15.0 | 3.37 | 1.90 | 3.81 | 2.16 | 4.02 | 2.49 | 4.30 | 2.80 | 4.60 | 3.06 | 4.74 | 3.50 |
| 20.0 | 3.37 | 1.90 | 3.81 | 2.16 | 4.02 | 2.49 | 4.30 | 2.80 | 4.60 | 3.06 | 4.74 | 3.50 |
| 25.0 | 3.37 | 1.90 | 3.81 | 2.16 | 4.02 | 2.49 | 4.30 | 2.80 | 4.60 | 3.06 | 4.74 | 3.50 |
| 30.0 | 3.37 | 1.90 | 3.81 | 2.16 | 4.02 | 2.49 | 4.30 | 2.80 | 4.60 | 3.06 | 4.74 | 3.50 |
| 35.0 | 3.37 | 1.90 | 3.81 | 2.16 | 4.02 | 2.49 | 4.30 | 2.80 | 4.60 | 3.06 | 4.74 | 3.50 |
| 40.0 | 2.79 | 1.30 | 3.15 | 1.48 | 3.32 | 1.70 | 3.56 | 1.91 | 3.80 | 2.09 | 3.92 | 2.40 |
| 46.0 | 2.21 | 0.81 | 2.50 | 0.93 | 2.63 | 1.07 | 2.82 | 1.20 | 3.01 | 1.31 | 3.11 | 1.50 |

Model: ASYG14KGTE

| Outdoor temperature | Indoor temperature (°CDB / °CWB) | | | | | | | | | | | |
|---------------------|----------------------------------|------|-------------|------|-------------|------|-------------|------|-------------|------|-------------|------|
| | 18.0 / 12.0 | | 21.0 / 15.0 | | 23.0 / 16.0 | | 27.0 / 19.0 | | 29.0 / 21.0 | | 32.0 / 23.0 | |
| (°CDB) | TC | SHC | TC | SHC | TC | SHC | TC | SHC | TC | SHC | TC | SHC |
| -10.0 | 3.92 | 2.20 | 4.43 | 2.51 | 4.67 | 2.89 | 5.00 | 3.25 | 5.35 | 3.55 | 5.51 | 4.07 |
| -5.0 | 3.92 | 2.20 | 4.43 | 2.51 | 4.67 | 2.89 | 5.00 | 3.25 | 5.35 | 3.55 | 5.51 | 4.07 |
| 0.0 | 3.92 | 2.20 | 4.43 | 2.51 | 4.67 | 2.89 | 5.00 | 3.25 | 5.35 | 3.55 | 5.51 | 4.07 |
| 5.0 | 3.92 | 2.20 | 4.43 | 2.51 | 4.67 | 2.89 | 5.00 | 3.25 | 5.35 | 3.55 | 5.51 | 4.07 |
| 10.0 | 3.92 | 2.20 | 4.43 | 2.51 | 4.67 | 2.89 | 5.00 | 3.25 | 5.35 | 3.55 | 5.51 | 4.07 |
| 15.0 | 3.92 | 2.20 | 4.43 | 2.51 | 4.67 | 2.89 | 5.00 | 3.25 | 5.35 | 3.55 | 5.51 | 4.07 |
| 20.0 | 3.92 | 2.20 | 4.43 | 2.51 | 4.67 | 2.89 | 5.00 | 3.25 | 5.35 | 3.55 | 5.51 | 4.07 |
| 25.0 | 3.92 | 2.20 | 4.43 | 2.51 | 4.67 | 2.89 | 5.00 | 3.25 | 5.35 | 3.55 | 5.51 | 4.07 |
| 30.0 | 3.92 | 2.20 | 4.43 | 2.51 | 4.67 | 2.89 | 5.00 | 3.25 | 5.35 | 3.55 | 5.51 | 4.07 |
| 35.0 | 3.92 | 2.20 | 4.43 | 2.51 | 4.67 | 2.89 | 5.00 | 3.25 | 5.35 | 3.55 | 5.51 | 4.07 |
| 40.0 | 3.24 | 1.51 | 3.67 | 1.72 | 3.87 | 1.98 | 4.14 | 2.23 | 4.42 | 2.43 | 4.56 | 2.79 |
| 46.0 | 2.57 | 0.95 | 2.90 | 1.08 | 3.06 | 1.24 | 3.28 | 1.40 | 3.50 | 1.53 | 3.61 | 1.75 |

Model: ASYG07KGTF

| Outdoor temperature | Indoor temperature (°CDB / °CWB) | | | | | | | | | | | |
|---------------------|----------------------------------|------|-------------|------|-------------|------|-------------|------|-------------|------|-------------|------|
| | 18.0 / 12.0 | | 21.0 / 15.0 | | 23.0 / 16.0 | | 27.0 / 19.0 | | 29.0 / 21.0 | | 32.0 / 23.0 | |
| (°CDB) | TC | SHC | TC | SHC | TC | SHC | TC | SHC | TC | SHC | TC | SHC |
| -10.0 | 1.96 | 1.10 | 2.22 | 1.26 | 2.34 | 1.45 | 2.50 | 1.63 | 2.67 | 1.78 | 2.76 | 2.04 |
| -5.0 | 1.96 | 1.10 | 2.22 | 1.26 | 2.34 | 1.45 | 2.50 | 1.63 | 2.67 | 1.78 | 2.76 | 2.04 |
| 0.0 | 1.96 | 1.10 | 2.22 | 1.26 | 2.34 | 1.45 | 2.50 | 1.63 | 2.67 | 1.78 | 2.76 | 2.04 |
| 5.0 | 1.96 | 1.10 | 2.22 | 1.26 | 2.34 | 1.45 | 2.50 | 1.63 | 2.67 | 1.78 | 2.76 | 2.04 |
| 10.0 | 1.96 | 1.10 | 2.22 | 1.26 | 2.34 | 1.45 | 2.50 | 1.63 | 2.67 | 1.78 | 2.76 | 2.04 |
| 15.0 | 1.96 | 1.10 | 2.22 | 1.26 | 2.34 | 1.45 | 2.50 | 1.63 | 2.67 | 1.78 | 2.76 | 2.04 |
| 20.0 | 1.96 | 1.10 | 2.22 | 1.26 | 2.34 | 1.45 | 2.50 | 1.63 | 2.67 | 1.78 | 2.76 | 2.04 |
| 25.0 | 1.96 | 1.10 | 2.22 | 1.26 | 2.34 | 1.45 | 2.50 | 1.63 | 2.67 | 1.78 | 2.76 | 2.04 |
| 30.0 | 1.96 | 1.10 | 2.22 | 1.26 | 2.34 | 1.45 | 2.50 | 1.63 | 2.67 | 1.78 | 2.76 | 2.04 |
| 35.0 | 1.96 | 1.10 | 2.22 | 1.26 | 2.34 | 1.45 | 2.50 | 1.63 | 2.67 | 1.78 | 2.76 | 2.04 |
| 40.0 | 1.62 | 0.75 | 1.83 | 0.86 | 1.93 | 0.99 | 2.07 | 1.11 | 2.21 | 1.22 | 2.28 | 1.39 |
| 46.0 | 1.28 | 0.47 | 1.45 | 0.54 | 1.53 | 0.62 | 1.64 | 0.70 | 1.75 | 0.76 | 1.81 | 0.87 |

OUTDOOR UNIT
AOYG30KETA4OUTDOOR UNIT
AOYG30KETA4

Model: ASYG09KGTF

| Outdoor temperature | Indoor temperature (°CDB / °CWB) | | | | | | | | | | | |
|---------------------|----------------------------------|------|-------------|------|-------------|------|-------------|------|-------------|------|-------------|------|
| | 18.0 / 12.0 | | 21.0 / 15.0 | | 23.0 / 16.0 | | 27.0 / 19.0 | | 29.0 / 21.0 | | 32.0 / 23.0 | |
| (°CDB) | TC | SHC | TC | SHC | TC | SHC | TC | SHC | TC | SHC | TC | SHC |
| -10.0 | 2.51 | 1.41 | 2.84 | 1.61 | 2.99 | 1.85 | 3.20 | 2.08 | 3.42 | 2.27 | 3.53 | 2.61 |
| -5.0 | 2.51 | 1.41 | 2.84 | 1.61 | 2.99 | 1.85 | 3.20 | 2.08 | 3.42 | 2.27 | 3.53 | 2.61 |
| 0.0 | 2.51 | 1.41 | 2.84 | 1.61 | 2.99 | 1.85 | 3.20 | 2.08 | 3.42 | 2.27 | 3.53 | 2.61 |
| 5.0 | 2.51 | 1.41 | 2.84 | 1.61 | 2.99 | 1.85 | 3.20 | 2.08 | 3.42 | 2.27 | 3.53 | 2.61 |
| 10.0 | 2.51 | 1.41 | 2.84 | 1.61 | 2.99 | 1.85 | 3.20 | 2.08 | 3.42 | 2.27 | 3.53 | 2.61 |
| 15.0 | 2.51 | 1.41 | 2.84 | 1.61 | 2.99 | 1.85 | 3.20 | 2.08 | 3.42 | 2.27 | 3.53 | 2.61 |
| 20.0 | 2.51 | 1.41 | 2.84 | 1.61 | 2.99 | 1.85 | 3.20 | 2.08 | 3.42 | 2.27 | 3.53 | 2.61 |
| 25.0 | 2.51 | 1.41 | 2.84 | 1.61 | 2.99 | 1.85 | 3.20 | 2.08 | 3.42 | 2.27 | 3.53 | 2.61 |
| 30.0 | 2.51 | 1.41 | 2.84 | 1.61 | 2.99 | 1.85 | 3.20 | 2.08 | 3.42 | 2.27 | 3.53 | 2.61 |
| 35.0 | 2.51 | 1.41 | 2.84 | 1.61 | 2.99 | 1.85 | 3.20 | 2.08 | 3.42 | 2.27 | 3.53 | 2.61 |
| 40.0 | 2.08 | 0.97 | 2.35 | 1.10 | 2.47 | 1.27 | 2.65 | 1.42 | 2.83 | 1.56 | 2.92 | 1.79 |
| 46.0 | 1.64 | 0.61 | 1.86 | 0.69 | 1.96 | 0.79 | 2.10 | 0.89 | 2.24 | 0.98 | 2.31 | 1.12 |

Model: ASYG12KGTF

| Outdoor temperature | Indoor temperature (°CDB / °CWB) | | | | | | | | | | | |
|---------------------|----------------------------------|------|-------------|------|-------------|------|-------------|------|-------------|------|-------------|------|
| | 18.0 / 12.0 | | 21.0 / 15.0 | | 23.0 / 16.0 | | 27.0 / 19.0 | | 29.0 / 21.0 | | 32.0 / 23.0 | |
| (°CDB) | TC | SHC | TC | SHC | TC | SHC | TC | SHC | TC | SHC | TC | SHC |
| -10.0 | 3.37 | 1.90 | 3.81 | 2.16 | 4.02 | 2.49 | 4.30 | 2.80 | 4.60 | 3.06 | 4.74 | 3.50 |
| -5.0 | 3.37 | 1.90 | 3.81 | 2.16 | 4.02 | 2.49 | 4.30 | 2.80 | 4.60 | 3.06 | 4.74 | 3.50 |
| 0.0 | 3.37 | 1.90 | 3.81 | 2.16 | 4.02 | 2.49 | 4.30 | 2.80 | 4.60 | 3.06 | 4.74 | 3.50 |
| 5.0 | 3.37 | 1.90 | 3.81 | 2.16 | 4.02 | 2.49 | 4.30 | 2.80 | 4.60 | 3.06 | 4.74 | 3.50 |
| 10.0 | 3.37 | 1.90 | 3.81 | 2.16 | 4.02 | 2.49 | 4.30 | 2.80 | 4.60 | 3.06 | 4.74 | 3.50 |
| 15.0 | 3.37 | 1.90 | 3.81 | 2.16 | 4.02 | 2.49 | 4.30 | 2.80 | 4.60 | 3.06 | 4.74 | 3.50 |
| 20.0 | 3.37 | 1.90 | 3.81 | 2.16 | 4.02 | 2.49 | 4.30 | 2.80 | 4.60 | 3.06 | 4.74 | 3.50 |
| 25.0 | 3.37 | 1.90 | 3.81 | 2.16 | 4.02 | 2.49 | 4.30 | 2.80 | 4.60 | 3.06 | 4.74 | 3.50 |
| 30.0 | 3.37 | 1.90 | 3.81 | 2.16 | 4.02 | 2.49 | 4.30 | 2.80 | 4.60 | 3.06 | 4.74 | 3.50 |
| 35.0 | 3.37 | 1.90 | 3.81 | 2.16 | 4.02 | 2.49 | 4.30 | 2.80 | 4.60 | 3.06 | 4.74 | 3.50 |
| 40.0 | 2.79 | 1.30 | 3.15 | 1.48 | 3.32 | 1.70 | 3.56 | 1.91 | 3.80 | 2.09 | 3.92 | 2.40 |
| 46.0 | 2.21 | 0.81 | 2.50 | 0.93 | 2.63 | 1.07 | 2.82 | 1.20 | 3.01 | 1.31 | 3.11 | 1.50 |

Model: ASYG14KGTF

| Outdoor temperature | Indoor temperature (°CDB / °CWB) | | | | | | | | | | | |
|---------------------|----------------------------------|------|-------------|------|-------------|------|-------------|------|-------------|------|-------------|------|
| | 18.0 / 12.0 | | 21.0 / 15.0 | | 23.0 / 16.0 | | 27.0 / 19.0 | | 29.0 / 21.0 | | 32.0 / 23.0 | |
| (°CDB) | TC | SHC | TC | SHC | TC | SHC | TC | SHC | TC | SHC | TC | SHC |
| -10.0 | 3.92 | 2.20 | 4.43 | 2.51 | 4.67 | 2.89 | 5.00 | 3.25 | 5.35 | 3.55 | 5.51 | 4.07 |
| -5.0 | 3.92 | 2.20 | 4.43 | 2.51 | 4.67 | 2.89 | 5.00 | 3.25 | 5.35 | 3.55 | 5.51 | 4.07 |
| 0.0 | 3.92 | 2.20 | 4.43 | 2.51 | 4.67 | 2.89 | 5.00 | 3.25 | 5.35 | 3.55 | 5.51 | 4.07 |
| 5.0 | 3.92 | 2.20 | 4.43 | 2.51 | 4.67 | 2.89 | 5.00 | 3.25 | 5.35 | 3.55 | 5.51 | 4.07 |
| 10.0 | 3.92 | 2.20 | 4.43 | 2.51 | 4.67 | 2.89 | 5.00 | 3.25 | 5.35 | 3.55 | 5.51 | 4.07 |
| 15.0 | 3.92 | 2.20 | 4.43 | 2.51 | 4.67 | 2.89 | 5.00 | 3.25 | 5.35 | 3.55 | 5.51 | 4.07 |
| 20.0 | 3.92 | 2.20 | 4.43 | 2.51 | 4.67 | 2.89 | 5.00 | 3.25 | 5.35 | 3.55 | 5.51 | 4.07 |
| 25.0 | 3.92 | 2.20 | 4.43 | 2.51 | 4.67 | 2.89 | 5.00 | 3.25 | 5.35 | 3.55 | 5.51 | 4.07 |
| 30.0 | 3.92 | 2.20 | 4.43 | 2.51 | 4.67 | 2.89 | 5.00 | 3.25 | 5.35 | 3.55 | 5.51 | 4.07 |
| 35.0 | 3.92 | 2.20 | 4.43 | 2.51 | 4.67 | 2.89 | 5.00 | 3.25 | 5.35 | 3.55 | 5.51 | 4.07 |
| 40.0 | 3.24 | 1.51 | 3.67 | 1.72 | 3.87 | 1.98 | 4.14 | 2.23 | 4.42 | 2.43 | 4.56 | 2.79 |
| 46.0 | 2.57 | 0.95 | 2.90 | 1.08 | 3.06 | 1.24 | 3.28 | 1.40 | 3.50 | 1.53 | 3.61 | 1.75 |

Model: ASYG18KMTB

| Outdoor temperature | Indoor temperature (°CDB / °CWB) | | | | | | | | | | | |
|---------------------|----------------------------------|------|-------------|------|-------------|------|-------------|------|-------------|------|-------------|------|
| | 18.0 / 12.0 | | 21.0 / 15.0 | | 23.0 / 16.0 | | 27.0 / 19.0 | | 29.0 / 21.0 | | 32.0 / 23.0 | |
| (°CDB) | TC | SHC | TC | SHC | TC | SHC | TC | SHC | TC | SHC | TC | SHC |
| -10.0 | 4.75 | 3.21 | 5.37 | 3.65 | 5.66 | 4.21 | 6.06 | 4.73 | 6.48 | 5.17 | 6.68 | 5.92 |
| -5.0 | 4.75 | 3.21 | 5.37 | 3.65 | 5.66 | 4.21 | 6.06 | 4.73 | 6.48 | 5.17 | 6.68 | 5.92 |
| 0.0 | 4.75 | 3.21 | 5.37 | 3.65 | 5.66 | 4.21 | 6.06 | 4.73 | 6.48 | 5.17 | 6.68 | 5.92 |
| 5.0 | 4.75 | 3.21 | 5.37 | 3.65 | 5.66 | 4.21 | 6.06 | 4.73 | 6.48 | 5.17 | 6.68 | 5.92 |
| 10.0 | 4.75 | 3.21 | 5.37 | 3.65 | 5.66 | 4.21 | 6.06 | 4.73 | 6.48 | 5.17 | 6.68 | 5.92 |
| 15.0 | 4.75 | 3.21 | 5.37 | 3.65 | 5.66 | 4.21 | 6.06 | 4.73 | 6.48 | 5.17 | 6.68 | 5.92 |
| 20.0 | 4.75 | 3.21 | 5.37 | 3.65 | 5.66 | 4.21 | 6.06 | 4.73 | 6.48 | 5.17 | 6.68 | 5.92 |
| 25.0 | 4.75 | 3.21 | 5.37 | 3.65 | 5.66 | 4.21 | 6.06 | 4.73 | 6.48 | 5.17 | 6.68 | 5.92 |
| 30.0 | 4.75 | 3.21 | 5.37 | 3.65 | 5.66 | 4.21 | 6.06 | 4.73 | 6.48 | 5.17 | 6.68 | 5.92 |
| 35.0 | 4.75 | 3.21 | 5.37 | 3.65 | 5.66 | 4.21 | 6.06 | 4.73 | 6.48 | 5.17 | 6.68 | 5.92 |
| 40.0 | 3.93 | 2.20 | 4.44 | 2.50 | 4.68 | 2.88 | 5.02 | 3.24 | 5.36 | 3.54 | 5.53 | 4.06 |
| 46.0 | 3.11 | 1.38 | 3.52 | 1.57 | 3.71 | 1.81 | 3.97 | 2.03 | 4.25 | 2.22 | 4.38 | 2.54 |

Model: ASYG22KMTB

| Outdoor temperature | Indoor temperature (°CDB / °CWB) | | | | | | | | | | | |
|---------------------|----------------------------------|------|-------------|------|-------------|------|-------------|------|-------------|------|-------------|------|
| | 18.0 / 12.0 | | 21.0 / 15.0 | | 23.0 / 16.0 | | 27.0 / 19.0 | | 29.0 / 21.0 | | 32.0 / 23.0 | |
| (°CDB) | TC | SHC | TC | SHC | TC | SHC | TC | SHC | TC | SHC | TC | SHC |
| -10.0 | 6.01 | 3.86 | 6.79 | 4.40 | 7.15 | 5.07 | 7.66 | 5.69 | 8.19 | 6.23 | 8.44 | 7.13 |
| -5.0 | 6.01 | 3.86 | 6.79 | 4.40 | 7.15 | 5.07 | 7.66 | 5.69 | 8.19 | 6.23 | 8.44 | 7.13 |
| 0.0 | 6.01 | 3.86 | 6.79 | 4.40 | 7.15 | 5.07 | 7.66 | 5.69 | 8.19 | 6.23 | 8.44 | 7.13 |
| 5.0 | 6.01 | 3.86 | 6.79 | 4.40 | 7.15 | 5.07 | 7.66 | 5.69 | 8.19 | 6.23 | 8.44 | 7.13 |
| 10.0 | 6.01 | 3.86 | 6.79 | 4.40 | 7.15 | 5.07 | 7.66 | 5.69 | 8.19 | 6.23 | 8.44 | 7.13 |
| 15.0 | 6.01 | 3.86 | 6.79 | 4.40 | 7.15 | 5.07 | 7.66 | 5.69 | 8.19 | 6.23 | 8.44 | 7.13 |
| 20.0 | 6.01 | 3.86 | 6.79 | 4.40 | 7.15 | 5.07 | 7.66 | 5.69 | 8.19 | 6.23 | 8.44 | 7.13 |
| 25.0 | 6.01 | 3.86 | 6.79 | 4.40 | 7.15 | 5.07 | 7.66 | 5.69 | 8.19 | 6.23 | 8.44 | 7.13 |
| 30.0 | 6.01 | 3.86 | 6.79 | 4.40 | 7.15 | 5.07 | 7.66 | 5.69 | 8.19 | 6.23 | 8.44 | 7.13 |
| 35.0 | 6.01 | 3.86 | 6.79 | 4.40 | 7.15 | 5.07 | 7.66 | 5.69 | 8.19 | 6.23 | 8.44 | 7.13 |
| 40.0 | 4.97 | 2.64 | 5.62 | 3.02 | 5.92 | 3.47 | 6.34 | 3.90 | 6.78 | 4.27 | 6.99 | 4.89 |
| 46.0 | 3.94 | 1.66 | 4.45 | 1.89 | 4.69 | 2.18 | 5.02 | 2.44 | 5.37 | 2.67 | 5.53 | 3.06 |

Model: ASYG24KMTB

| Outdoor temperature | Indoor temperature (°CDB / °CWB) | | | | | | | | | | | |
|---------------------|----------------------------------|------|-------------|------|-------------|------|-------------|------|-------------|------|-------------|------|
| | 18.0 / 12.0 | | 21.0 / 15.0 | | 23.0 / 16.0 | | 27.0 / 19.0 | | 29.0 / 21.0 | | 32.0 / 23.0 | |
| (°CDB) | TC | SHC | TC | SHC | TC | SHC | TC | SHC | TC | SHC | TC | SHC |
| -10.0 | 6.13 | 3.96 | 6.93 | 4.51 | 7.30 | 5.20 | 7.82 | 5.84 | 8.36 | 6.38 | 8.62 | 7.31 |
| -5.0 | 6.13 | 3.96 | 6.93 | 4.51 | 7.30 | 5.20 | 7.82 | 5.84 | 8.36 | 6.38 | 8.62 | 7.31 |
| 0.0 | 6.13 | 3.96 | 6.93 | 4.51 | 7.30 | 5.20 | 7.82 | 5.84 | 8.36 | 6.38 | 8.62 | 7.31 |
| 5.0 | 6.13 | 3.96 | 6.93 | 4.51 | 7.30 | 5.20 | 7.82 | 5.84 | 8.36 | 6.38 | 8.62 | 7.31 |
| 10.0 | 6.13 | 3.96 | 6.93 | 4.51 | 7.30 | 5.20 | 7.82 | 5.84 | 8.36 | 6.38 | 8.62 | 7.31 |
| 15.0 | 6.13 | 3.96 | 6.93 | 4.51 | 7.30 | 5.20 | 7.82 | 5.84 | 8.36 | 6.38 | 8.62 | 7.31 |
| 20.0 | 6.13 | 3.96 | 6.93 | 4.51 | 7.30 | 5.20 | 7.82 | 5.84 | 8.36 | 6.38 | 8.62 | 7.31 |
| 25.0 | 6.13 | 3.96 | 6.93 | 4.51 | 7.30 | 5.20 | 7.82 | 5.84 | 8.36 | 6.38 | 8.62 | 7.31 |
| 30.0 | 6.13 | 3.96 | 6.93 | 4.51 | 7.30 | 5.20 | 7.82 | 5.84 | 8.36 | 6.38 | 8.62 | 7.31 |
| 35.0 | 6.13 | 3.96 | 6.93 | 4.51 | 7.30 | 5.20 | 7.82 | 5.84 | 8.36 | 6.38 | 8.62 | 7.31 |
| 40.0 | 5.07 | 2.71 | 5.73 | 3.09 | 6.05 | 3.56 | 6.47 | 4.00 | 6.92 | 4.37 | 7.13 | 5.01 |
| 46.0 | 4.02 | 1.70 | 4.54 | 1.94 | 4.79 | 2.23 | 5.12 | 2.51 | 5.48 | 2.74 | 5.65 | 3.14 |

Model: ASYG18KMTE

| Outdoor temperature | Indoor temperature (°CDB / °CWB) | | | | | | | | | | | |
|---------------------|----------------------------------|------|-------------|------|-------------|------|-------------|------|-------------|------|-------------|------|
| | 18.0 / 12.0 | | 21.0 / 15.0 | | 23.0 / 16.0 | | 27.0 / 19.0 | | 29.0 / 21.0 | | 32.0 / 23.0 | |
| (°CDB) | TC | SHC | TC | SHC | TC | SHC | TC | SHC | TC | SHC | TC | SHC |
| -10.0 | 4.75 | 3.21 | 5.37 | 3.65 | 5.66 | 4.21 | 6.06 | 4.73 | 6.48 | 5.17 | 6.68 | 5.92 |
| -5.0 | 4.75 | 3.21 | 5.37 | 3.65 | 5.66 | 4.21 | 6.06 | 4.73 | 6.48 | 5.17 | 6.68 | 5.92 |
| 0.0 | 4.75 | 3.21 | 5.37 | 3.65 | 5.66 | 4.21 | 6.06 | 4.73 | 6.48 | 5.17 | 6.68 | 5.92 |
| 5.0 | 4.75 | 3.21 | 5.37 | 3.65 | 5.66 | 4.21 | 6.06 | 4.73 | 6.48 | 5.17 | 6.68 | 5.92 |
| 10.0 | 4.75 | 3.21 | 5.37 | 3.65 | 5.66 | 4.21 | 6.06 | 4.73 | 6.48 | 5.17 | 6.68 | 5.92 |
| 15.0 | 4.75 | 3.21 | 5.37 | 3.65 | 5.66 | 4.21 | 6.06 | 4.73 | 6.48 | 5.17 | 6.68 | 5.92 |
| 20.0 | 4.75 | 3.21 | 5.37 | 3.65 | 5.66 | 4.21 | 6.06 | 4.73 | 6.48 | 5.17 | 6.68 | 5.92 |
| 25.0 | 4.75 | 3.21 | 5.37 | 3.65 | 5.66 | 4.21 | 6.06 | 4.73 | 6.48 | 5.17 | 6.68 | 5.92 |
| 30.0 | 4.75 | 3.21 | 5.37 | 3.65 | 5.66 | 4.21 | 6.06 | 4.73 | 6.48 | 5.17 | 6.68 | 5.92 |
| 35.0 | 4.75 | 3.21 | 5.37 | 3.65 | 5.66 | 4.21 | 6.06 | 4.73 | 6.48 | 5.17 | 6.68 | 5.92 |
| 40.0 | 3.93 | 2.20 | 4.44 | 2.50 | 4.68 | 2.88 | 5.02 | 3.24 | 5.36 | 3.54 | 5.53 | 4.06 |
| 46.0 | 3.11 | 1.38 | 3.52 | 1.57 | 3.71 | 1.81 | 3.97 | 2.03 | 4.25 | 2.22 | 4.38 | 2.54 |

OUTDOOR UNIT
AOYG30KETA4OUTDOOR UNIT
AOYG30KETA4

Model: ASYG22KMTE

| Outdoor temperature | Indoor temperature (°CDB / °CWB) | | | | | | | | | | | |
|---------------------|----------------------------------|------|-------------|------|-------------|------|-------------|------|-------------|------|-------------|------|
| | 18.0 / 12.0 | | 21.0 / 15.0 | | 23.0 / 16.0 | | 27.0 / 19.0 | | 29.0 / 21.0 | | 32.0 / 23.0 | |
| (°CDB) | TC | SHC | TC | SHC | TC | SHC | TC | SHC | TC | SHC | TC | SHC |
| -10.0 | 6.01 | 3.86 | 6.79 | 4.40 | 7.15 | 5.07 | 7.66 | 5.69 | 8.19 | 6.23 | 8.44 | 7.13 |
| -5.0 | 6.01 | 3.86 | 6.79 | 4.40 | 7.15 | 5.07 | 7.66 | 5.69 | 8.19 | 6.23 | 8.44 | 7.13 |
| 0.0 | 6.01 | 3.86 | 6.79 | 4.40 | 7.15 | 5.07 | 7.66 | 5.69 | 8.19 | 6.23 | 8.44 | 7.13 |
| 5.0 | 6.01 | 3.86 | 6.79 | 4.40 | 7.15 | 5.07 | 7.66 | 5.69 | 8.19 | 6.23 | 8.44 | 7.13 |
| 10.0 | 6.01 | 3.86 | 6.79 | 4.40 | 7.15 | 5.07 | 7.66 | 5.69 | 8.19 | 6.23 | 8.44 | 7.13 |
| 15.0 | 6.01 | 3.86 | 6.79 | 4.40 | 7.15 | 5.07 | 7.66 | 5.69 | 8.19 | 6.23 | 8.44 | 7.13 |
| 20.0 | 6.01 | 3.86 | 6.79 | 4.40 | 7.15 | 5.07 | 7.66 | 5.69 | 8.19 | 6.23 | 8.44 | 7.13 |
| 25.0 | 6.01 | 3.86 | 6.79 | 4.40 | 7.15 | 5.07 | 7.66 | 5.69 | 8.19 | 6.23 | 8.44 | 7.13 |
| 30.0 | 6.01 | 3.86 | 6.79 | 4.40 | 7.15 | 5.07 | 7.66 | 5.69 | 8.19 | 6.23 | 8.44 | 7.13 |
| 35.0 | 6.01 | 3.86 | 6.79 | 4.40 | 7.15 | 5.07 | 7.66 | 5.69 | 8.19 | 6.23 | 8.44 | 7.13 |
| 40.0 | 4.97 | 2.64 | 5.62 | 3.02 | 5.92 | 3.47 | 6.34 | 3.90 | 6.78 | 4.27 | 6.99 | 4.89 |
| 46.0 | 3.94 | 1.66 | 4.45 | 1.89 | 4.69 | 2.18 | 5.02 | 2.44 | 5.37 | 2.67 | 5.53 | 3.06 |

Model: ASYG24KMTE

| Outdoor temperature | Indoor temperature (°CDB / °CWB) | | | | | | | | | | | |
|---------------------|----------------------------------|------|-------------|------|-------------|------|-------------|------|-------------|------|-------------|------|
| | 18.0 / 12.0 | | 21.0 / 15.0 | | 23.0 / 16.0 | | 27.0 / 19.0 | | 29.0 / 21.0 | | 32.0 / 23.0 | |
| (°CDB) | TC | SHC | TC | SHC | TC | SHC | TC | SHC | TC | SHC | TC | SHC |
| -10.0 | 6.13 | 3.96 | 6.93 | 4.51 | 7.30 | 5.20 | 7.82 | 5.84 | 8.36 | 6.38 | 8.62 | 7.31 |
| -5.0 | 6.13 | 3.96 | 6.93 | 4.51 | 7.30 | 5.20 | 7.82 | 5.84 | 8.36 | 6.38 | 8.62 | 7.31 |
| 0.0 | 6.13 | 3.96 | 6.93 | 4.51 | 7.30 | 5.20 | 7.82 | 5.84 | 8.36 | 6.38 | 8.62 | 7.31 |
| 5.0 | 6.13 | 3.96 | 6.93 | 4.51 | 7.30 | 5.20 | 7.82 | 5.84 | 8.36 | 6.38 | 8.62 | 7.31 |
| 10.0 | 6.13 | 3.96 | 6.93 | 4.51 | 7.30 | 5.20 | 7.82 | 5.84 | 8.36 | 6.38 | 8.62 | 7.31 |
| 15.0 | 6.13 | 3.96 | 6.93 | 4.51 | 7.30 | 5.20 | 7.82 | 5.84 | 8.36 | 6.38 | 8.62 | 7.31 |
| 20.0 | 6.13 | 3.96 | 6.93 | 4.51 | 7.30 | 5.20 | 7.82 | 5.84 | 8.36 | 6.38 | 8.62 | 7.31 |
| 25.0 | 6.13 | 3.96 | 6.93 | 4.51 | 7.30 | 5.20 | 7.82 | 5.84 | 8.36 | 6.38 | 8.62 | 7.31 |
| 30.0 | 6.13 | 3.96 | 6.93 | 4.51 | 7.30 | 5.20 | 7.82 | 5.84 | 8.36 | 6.38 | 8.62 | 7.31 |
| 35.0 | 6.13 | 3.96 | 6.93 | 4.51 | 7.30 | 5.20 | 7.82 | 5.84 | 8.36 | 6.38 | 8.62 | 7.31 |
| 40.0 | 5.07 | 2.71 | 5.73 | 3.09 | 6.05 | 3.56 | 6.47 | 4.00 | 6.92 | 4.37 | 7.13 | 5.01 |
| 46.0 | 4.02 | 1.70 | 4.54 | 1.94 | 4.79 | 2.23 | 5.12 | 2.51 | 5.48 | 2.74 | 5.65 | 3.14 |

Model: ASYG07KMTB

| Outdoor temperature | Indoor temperature (°CDB / °CWB) | | | | | | | | | | | |
|---------------------|----------------------------------|------|-------------|------|-------------|------|-------------|------|-------------|------|-------------|------|
| | 18.0 / 12.0 | | 21.0 / 15.0 | | 23.0 / 16.0 | | 27.0 / 19.0 | | 29.0 / 21.0 | | 32.0 / 23.0 | |
| (°CDB) | TC | SHC | TC | SHC | TC | SHC | TC | SHC | TC | SHC | TC | SHC |
| -10.0 | 1.96 | 1.10 | 2.22 | 1.26 | 2.34 | 1.45 | 2.50 | 1.63 | 2.67 | 1.78 | 2.76 | 2.04 |
| -5.0 | 1.96 | 1.10 | 2.22 | 1.26 | 2.34 | 1.45 | 2.50 | 1.63 | 2.67 | 1.78 | 2.76 | 2.04 |
| 0.0 | 1.96 | 1.10 | 2.22 | 1.26 | 2.34 | 1.45 | 2.50 | 1.63 | 2.67 | 1.78 | 2.76 | 2.04 |
| 5.0 | 1.96 | 1.10 | 2.22 | 1.26 | 2.34 | 1.45 | 2.50 | 1.63 | 2.67 | 1.78 | 2.76 | 2.04 |
| 10.0 | 1.96 | 1.10 | 2.22 | 1.26 | 2.34 | 1.45 | 2.50 | 1.63 | 2.67 | 1.78 | 2.76 | 2.04 |
| 15.0 | 1.96 | 1.10 | 2.22 | 1.26 | 2.34 | 1.45 | 2.50 | 1.63 | 2.67 | 1.78 | 2.76 | 2.04 |
| 20.0 | 1.96 | 1.10 | 2.22 | 1.26 | 2.34 | 1.45 | 2.50 | 1.63 | 2.67 | 1.78 | 2.76 | 2.04 |
| 25.0 | 1.96 | 1.10 | 2.22 | 1.26 | 2.34 | 1.45 | 2.50 | 1.63 | 2.67 | 1.78 | 2.76 | 2.04 |
| 30.0 | 1.96 | 1.10 | 2.22 | 1.26 | 2.34 | 1.45 | 2.50 | 1.63 | 2.67 | 1.78 | 2.76 | 2.04 |
| 35.0 | 1.96 | 1.10 | 2.22 | 1.26 | 2.34 | 1.45 | 2.50 | 1.63 | 2.67 | 1.78 | 2.76 | 2.04 |
| 40.0 | 1.62 | 0.75 | 1.83 | 0.86 | 1.93 | 0.99 | 2.07 | 1.11 | 2.21 | 1.22 | 2.28 | 1.39 |
| 46.0 | 1.28 | 0.47 | 1.45 | 0.54 | 1.53 | 0.62 | 1.64 | 0.70 | 1.75 | 0.76 | 1.81 | 0.87 |

Model: ASYG09KMTB

| Outdoor temperature | Indoor temperature (°CDB / °CWB) | | | | | | | | | | | |
|---------------------|----------------------------------|------|-------------|------|-------------|------|-------------|------|-------------|------|-------------|------|
| | 18.0 / 12.0 | | 21.0 / 15.0 | | 23.0 / 16.0 | | 27.0 / 19.0 | | 29.0 / 21.0 | | 32.0 / 23.0 | |
| (°CDB) | TC | SHC | TC | SHC | TC | SHC | TC | SHC | TC | SHC | TC | SHC |
| -10.0 | 2.51 | 1.41 | 2.84 | 1.61 | 2.99 | 1.85 | 3.20 | 2.08 | 3.42 | 2.27 | 3.53 | 2.61 |
| -5.0 | 2.51 | 1.41 | 2.84 | 1.61 | 2.99 | 1.85 | 3.20 | 2.08 | 3.42 | 2.27 | 3.53 | 2.61 |
| 0.0 | 2.51 | 1.41 | 2.84 | 1.61 | 2.99 | 1.85 | 3.20 | 2.08 | 3.42 | 2.27 | 3.53 | 2.61 |
| 5.0 | 2.51 | 1.41 | 2.84 | 1.61 | 2.99 | 1.85 | 3.20 | 2.08 | 3.42 | 2.27 | 3.53 | 2.61 |
| 10.0 | 2.51 | 1.41 | 2.84 | 1.61 | 2.99 | 1.85 | 3.20 | 2.08 | 3.42 | 2.27 | 3.53 | 2.61 |
| 15.0 | 2.51 | 1.41 | 2.84 | 1.61 | 2.99 | 1.85 | 3.20 | 2.08 | 3.42 | 2.27 | 3.53 | 2.61 |
| 20.0 | 2.51 | 1.41 | 2.84 | 1.61 | 2.99 | 1.85 | 3.20 | 2.08 | 3.42 | 2.27 | 3.53 | 2.61 |
| 25.0 | 2.51 | 1.41 | 2.84 | 1.61 | 2.99 | 1.85 | 3.20 | 2.08 | 3.42 | 2.27 | 3.53 | 2.61 |
| 30.0 | 2.51 | 1.41 | 2.84 | 1.61 | 2.99 | 1.85 | 3.20 | 2.08 | 3.42 | 2.27 | 3.53 | 2.61 |
| 35.0 | 2.51 | 1.41 | 2.84 | 1.61 | 2.99 | 1.85 | 3.20 | 2.08 | 3.42 | 2.27 | 3.53 | 2.61 |
| 40.0 | 2.08 | 0.97 | 2.35 | 1.10 | 2.47 | 1.27 | 2.65 | 1.42 | 2.83 | 1.56 | 2.92 | 1.79 |
| 46.0 | 1.64 | 0.61 | 1.86 | 0.69 | 1.96 | 0.79 | 2.10 | 0.89 | 2.24 | 0.98 | 2.31 | 1.12 |

Model: ASYG12KMTB

| Outdoor temperature | Indoor temperature (°CDB / °CWB) | | | | | | | | | | | |
|---------------------|----------------------------------|------|-------------|------|-------------|------|-------------|------|-------------|------|-------------|------|
| | 18.0 / 12.0 | | 21.0 / 15.0 | | 23.0 / 16.0 | | 27.0 / 19.0 | | 29.0 / 21.0 | | 32.0 / 23.0 | |
| (°CDB) | TC | SHC | TC | SHC | TC | SHC | TC | SHC | TC | SHC | TC | SHC |
| -10.0 | 3.37 | 1.90 | 3.81 | 2.16 | 4.02 | 2.49 | 4.30 | 2.80 | 4.60 | 3.06 | 4.74 | 3.50 |
| -5.0 | 3.37 | 1.90 | 3.81 | 2.16 | 4.02 | 2.49 | 4.30 | 2.80 | 4.60 | 3.06 | 4.74 | 3.50 |
| 0.0 | 3.37 | 1.90 | 3.81 | 2.16 | 4.02 | 2.49 | 4.30 | 2.80 | 4.60 | 3.06 | 4.74 | 3.50 |
| 5.0 | 3.37 | 1.90 | 3.81 | 2.16 | 4.02 | 2.49 | 4.30 | 2.80 | 4.60 | 3.06 | 4.74 | 3.50 |
| 10.0 | 3.37 | 1.90 | 3.81 | 2.16 | 4.02 | 2.49 | 4.30 | 2.80 | 4.60 | 3.06 | 4.74 | 3.50 |
| 15.0 | 3.37 | 1.90 | 3.81 | 2.16 | 4.02 | 2.49 | 4.30 | 2.80 | 4.60 | 3.06 | 4.74 | 3.50 |
| 20.0 | 3.37 | 1.90 | 3.81 | 2.16 | 4.02 | 2.49 | 4.30 | 2.80 | 4.60 | 3.06 | 4.74 | 3.50 |
| 25.0 | 3.37 | 1.90 | 3.81 | 2.16 | 4.02 | 2.49 | 4.30 | 2.80 | 4.60 | 3.06 | 4.74 | 3.50 |
| 30.0 | 3.37 | 1.90 | 3.81 | 2.16 | 4.02 | 2.49 | 4.30 | 2.80 | 4.60 | 3.06 | 4.74 | 3.50 |
| 35.0 | 3.37 | 1.90 | 3.81 | 2.16 | 4.02 | 2.49 | 4.30 | 2.80 | 4.60 | 3.06 | 4.74 | 3.50 |
| 40.0 | 2.79 | 1.30 | 3.15 | 1.48 | 3.32 | 1.70 | 3.56 | 1.91 | 3.80 | 2.09 | 3.92 | 2.40 |
| 46.0 | 2.21 | 0.81 | 2.50 | 0.93 | 2.63 | 1.07 | 2.82 | 1.20 | 3.01 | 1.31 | 3.11 | 1.50 |

Model: ASYG14KMTB

| Outdoor temperature | Indoor temperature (°CDB / °CWB) | | | | | | | | | | | |
|---------------------|----------------------------------|------|-------------|------|-------------|------|-------------|------|-------------|------|-------------|------|
| | 18.0 / 12.0 | | 21.0 / 15.0 | | 23.0 / 16.0 | | 27.0 / 19.0 | | 29.0 / 21.0 | | 32.0 / 23.0 | |
| (°CDB) | TC | SHC | TC | SHC | TC | SHC | TC | SHC | TC | SHC | TC | SHC |
| -10.0 | 3.92 | 2.20 | 4.43 | 2.51 | 4.67 | 2.89 | 5.00 | 3.25 | 5.35 | 3.55 | 5.51 | 4.07 |
| -5.0 | 3.92 | 2.20 | 4.43 | 2.51 | 4.67 | 2.89 | 5.00 | 3.25 | 5.35 | 3.55 | 5.51 | 4.07 |
| 0.0 | 3.92 | 2.20 | 4.43 | 2.51 | 4.67 | 2.89 | 5.00 | 3.25 | 5.35 | 3.55 | 5.51 | 4.07 |
| 5.0 | 3.92 | 2.20 | 4.43 | 2.51 | 4.67 | 2.89 | 5.00 | 3.25 | 5.35 | 3.55 | 5.51 | 4.07 |
| 10.0 | 3.92 | 2.20 | 4.43 | 2.51 | 4.67 | 2.89 | 5.00 | 3.25 | 5.35 | 3.55 | 5.51 | 4.07 |
| 15.0 | 3.92 | 2.20 | 4.43 | 2.51 | 4.67 | 2.89 | 5.00 | 3.25 | 5.35 | 3.55 | 5.51 | 4.07 |
| 20.0 | 3.92 | 2.20 | 4.43 | 2.51 | 4.67 | 2.89 | 5.00 | 3.25 | 5.35 | 3.55 | 5.51 | 4.07 |
| 25.0 | 3.92 | 2.20 | 4.43 | 2.51 | 4.67 | 2.89 | 5.00 | 3.25 | 5.35 | 3.55 | 5.51 | 4.07 |
| 30.0 | 3.92 | 2.20 | 4.43 | 2.51 | 4.67 | 2.89 | 5.00 | 3.25 | 5.35 | 3.55 | 5.51 | 4.07 |
| 35.0 | 3.92 | 2.20 | 4.43 | 2.51 | 4.67 | 2.89 | 5.00 | 3.25 | 5.35 | 3.55 | 5.51 | 4.07 |
| 40.0 | 3.24 | 1.51 | 3.67 | 1.72 | 3.87 | 1.98 | 4.14 | 2.23 | 4.42 | 2.43 | 4.56 | 2.79 |
| 46.0 | 2.57 | 0.95 | 2.90 | 1.08 | 3.06 | 1.24 | 3.28 | 1.40 | 3.50 | 1.53 | 3.61 | 1.75 |

Model: ASYG07KMCC

| Outdoor temperature | Indoor temperature (°CDB / °CWB) | | | | | | | | | | | |
|---------------------|----------------------------------|------|-------------|------|-------------|------|-------------|------|-------------|------|-------------|------|
| | 18.0 / 12.0 | | 21.0 / 15.0 | | 23.0 / 16.0 | | 27.0 / 19.0 | | 29.0 / 21.0 | | 32.0 / 23.0 | |
| (°CDB) | TC | SHC | TC | SHC | TC | SHC | TC | SHC | TC | SHC | TC | SHC |
| -10.0 | 1.96 | 1.10 | 2.22 | 1.26 | 2.34 | 1.45 | 2.50 | 1.63 | 2.67 | 1.78 | 2.76 | 2.04 |
| -5.0 | 1.96 | 1.10 | 2.22 | 1.26 | 2.34 | 1.45 | 2.50 | 1.63 | 2.67 | 1.78 | 2.76 | 2.04 |
| 0.0 | 1.96 | 1.10 | 2.22 | 1.26 | 2.34 | 1.45 | 2.50 | 1.63 | 2.67 | 1.78 | 2.76 | 2.04 |
| 5.0 | 1.96 | 1.10 | 2.22 | 1.26 | 2.34 | 1.45 | 2.50 | 1.63 | 2.67 | 1.78 | 2.76 | 2.04 |
| 10.0 | 1.96 | 1.10 | 2.22 | 1.26 | 2.34 | 1.45 | 2.50 | 1.63 | 2.67 | 1.78 | 2.76 | 2.04 |
| 15.0 | 1.96 | 1.10 | 2.22 | 1.26 | 2.34 | 1.45 | 2.50 | 1.63 | 2.67 | 1.78 | 2.76 | 2.04 |
| 20.0 | 1.96 | 1.10 | 2.22 | 1.26 | 2.34 | 1.45 | 2.50 | 1.63 | 2.67 | 1.78 | 2.76 | 2.04 |
| 25.0 | 1.96 | 1.10 | 2.22 | 1.26 | 2.34 | 1.45 | 2.50 | 1.63 | 2.67 | 1.78 | 2.76 | 2.04 |
| 30.0 | 1.96 | 1.10 | 2.22 | 1.26 | 2.34 | 1.45 | 2.50 | 1.63 | 2.67 | 1.78 | 2.76 | 2.04 |
| 35.0 | 1.96 | 1.10 | 2.22 | 1.26 | 2.34 | 1.45 | 2.50 | 1.63 | 2.67 | 1.78 | 2.76 | 2.04 |
| 40.0 | 1.62 | 0.75 | 1.83 | 0.86 | 1.93 | 0.99 | 2.07 | 1.11 | 2.21 | 1.22 | 2.28 | 1.39 |
| 46.0 | 1.28 | 0.47 | 1.45 | 0.54 | 1.53 | 0.62 | 1.64 | 0.70 | 1.75 | 0.76 | 1.81 | 0.87 |

Model: ASYG09KMCC

| Outdoor temperature | Indoor temperature (°CDB / °CWB) | | | | | | | | | | | |
|---------------------|----------------------------------|------|-------------|------|-------------|------|-------------|------|-------------|------|-------------|------|
| | 18.0 / 12.0 | | 21.0 / 15.0 | | 23.0 / 16.0 | | 27.0 / 19.0 | | 29.0 / 21.0 | | 32.0 / 23.0 | |
| (°CDB) | TC | SHC | TC | SHC | TC | SHC | TC | SHC | TC | SHC | TC | SHC |
| -10.0 | 2.51 | 1.41 | 2.84 | 1.61 | 2.99 | 1.85 | 3.20 | 2.08 | 3.42 | 2.27 | 3.53 | 2.61 |
| -5.0 | 2.51 | 1.41 | 2.84 | 1.61 | 2.99 | 1.85 | 3.20 | 2.08 | 3.42 | 2.27 | 3.53 | 2.61 |
| 0.0 | 2.51 | 1.41 | 2.84 | 1.61 | 2.99 | 1.85 | 3.20 | 2.08 | 3.42 | 2.27 | 3.53 | 2.61 |
| 5.0 | 2.51 | 1.41 | 2.84 | 1.61 | 2.99 | 1.85 | 3.20 | 2.08 | 3.42 | 2.27 | 3.53 | 2.61 |
| 10.0 | 2.51 | 1.41 | 2.84 | 1.61 | 2.99 | 1.85 | 3.20 | 2.08 | 3.42 | 2.27 | 3.53 | 2.61 |
| 15.0 | 2.51 | 1.41 | 2.84 | 1.61 | 2.99 | 1.85 | 3.20 | 2.08 | 3.42 | 2.27 | 3.53 | 2.61 |
| 20.0 | 2.51 | 1.41 | 2.84 | 1.61 | 2.99 | 1.85 | 3.20 | 2.08 | 3.42 | 2.27 | 3.53 | 2.61 |
| 25.0 | 2.51 | 1.41 | 2.84 | 1.61 | 2.99 | 1.85 | 3.20 | 2.08 | 3.42 | 2.27 | 3.53 | 2.61 |
| 30.0 | 2.51 | 1.41 | 2.84 | 1.61 | 2.99 | 1.85 | 3.20 | 2.08 | 3.42 | 2.27 | 3.53 | 2.61 |
| 35.0 | 2.51 | 1.41 | 2.84 | 1.61 | 2.99 | 1.85 | 3.20 | 2.08 | 3.42 | 2.27 | 3.53 | 2.61 |
| 40.0 | 2.08 | 0.97 | 2.35 | 1.10 | 2.47 | 1.27 | 2.65 | 1.42 | 2.83 | 1.56 | 2.92 | 1.79 |
| 46.0 | 1.64 | 0.61 | 1.86 | 0.69 | 1.96 | 0.79 | 2.10 | 0.89 | 2.24 | 0.98 | 2.31 | 1.12 |

Model: ASYG12KMCC

| Outdoor temperature | Indoor temperature (°CDB / °CWB) | | | | | | | | | | | |
|---------------------|----------------------------------|------|-------------|------|-------------|------|-------------|------|-------------|------|-------------|------|
| | 18.0 / 12.0 | | 21.0 / 15.0 | | 23.0 / 16.0 | | 27.0 / 19.0 | | 29.0 / 21.0 | | 32.0 / 23.0 | |
| (°CDB) | TC | SHC | TC | SHC | TC | SHC | TC | SHC | TC | SHC | TC | SHC |
| -10.0 | 3.37 | 1.90 | 3.81 | 2.16 | 4.02 | 2.49 | 4.30 | 2.80 | 4.60 | 3.06 | 4.74 | 3.50 |
| -5.0 | 3.37 | 1.90 | 3.81 | 2.16 | 4.02 | 2.49 | 4.30 | 2.80 | 4.60 | 3.06 | 4.74 | 3.50 |
| 0.0 | 3.37 | 1.90 | 3.81 | 2.16 | 4.02 | 2.49 | 4.30 | 2.80 | 4.60 | 3.06 | 4.74 | 3.50 |
| 5.0 | 3.37 | 1.90 | 3.81 | 2.16 | 4.02 | 2.49 | 4.30 | 2.80 | 4.60 | 3.06 | 4.74 | 3.50 |
| 10.0 | 3.37 | 1.90 | 3.81 | 2.16 | 4.02 | 2.49 | 4.30 | 2.80 | 4.60 | 3.06 | 4.74 | 3.50 |
| 15.0 | 3.37 | 1.90 | 3.81 | 2.16 | 4.02 | 2.49 | 4.30 | 2.80 | 4.60 | 3.06 | 4.74 | 3.50 |
| 20.0 | 3.37 | 1.90 | 3.81 | 2.16 | 4.02 | 2.49 | 4.30 | 2.80 | 4.60 | 3.06 | 4.74 | 3.50 |
| 25.0 | 3.37 | 1.90 | 3.81 | 2.16 | 4.02 | 2.49 | 4.30 | 2.80 | 4.60 | 3.06 | 4.74 | 3.50 |
| 30.0 | 3.37 | 1.90 | 3.81 | 2.16 | 4.02 | 2.49 | 4.30 | 2.80 | 4.60 | 3.06 | 4.74 | 3.50 |
| 35.0 | 3.37 | 1.90 | 3.81 | 2.16 | 4.02 | 2.49 | 4.30 | 2.80 | 4.60 | 3.06 | 4.74 | 3.50 |
| 40.0 | 2.79 | 1.30 | 3.15 | 1.48 | 3.32 | 1.70 | 3.56 | 1.91 | 3.80 | 2.09 | 3.92 | 2.40 |
| 46.0 | 2.21 | 0.81 | 2.50 | 0.93 | 2.63 | 1.07 | 2.82 | 1.20 | 3.01 | 1.31 | 3.11 | 1.50 |

Model: ASYG14KMCC

| Outdoor temperature | Indoor temperature (°CDB / °CWB) | | | | | | | | | | | |
|---------------------|----------------------------------|------|-------------|------|-------------|------|-------------|------|-------------|------|-------------|------|
| | 18.0 / 12.0 | | 21.0 / 15.0 | | 23.0 / 16.0 | | 27.0 / 19.0 | | 29.0 / 21.0 | | 32.0 / 23.0 | |
| (°CDB) | TC | SHC | TC | SHC | TC | SHC | TC | SHC | TC | SHC | TC | SHC |
| -10.0 | 3.92 | 2.20 | 4.43 | 2.51 | 4.67 | 2.89 | 5.00 | 3.25 | 5.35 | 3.55 | 5.51 | 4.07 |
| -5.0 | 3.92 | 2.20 | 4.43 | 2.51 | 4.67 | 2.89 | 5.00 | 3.25 | 5.35 | 3.55 | 5.51 | 4.07 |
| 0.0 | 3.92 | 2.20 | 4.43 | 2.51 | 4.67 | 2.89 | 5.00 | 3.25 | 5.35 | 3.55 | 5.51 | 4.07 |
| 5.0 | 3.92 | 2.20 | 4.43 | 2.51 | 4.67 | 2.89 | 5.00 | 3.25 | 5.35 | 3.55 | 5.51 | 4.07 |
| 10.0 | 3.92 | 2.20 | 4.43 | 2.51 | 4.67 | 2.89 | 5.00 | 3.25 | 5.35 | 3.55 | 5.51 | 4.07 |
| 15.0 | 3.92 | 2.20 | 4.43 | 2.51 | 4.67 | 2.89 | 5.00 | 3.25 | 5.35 | 3.55 | 5.51 | 4.07 |
| 20.0 | 3.92 | 2.20 | 4.43 | 2.51 | 4.67 | 2.89 | 5.00 | 3.25 | 5.35 | 3.55 | 5.51 | 4.07 |
| 25.0 | 3.92 | 2.20 | 4.43 | 2.51 | 4.67 | 2.89 | 5.00 | 3.25 | 5.35 | 3.55 | 5.51 | 4.07 |
| 30.0 | 3.92 | 2.20 | 4.43 | 2.51 | 4.67 | 2.89 | 5.00 | 3.25 | 5.35 | 3.55 | 5.51 | 4.07 |
| 35.0 | 3.92 | 2.20 | 4.43 | 2.51 | 4.67 | 2.89 | 5.00 | 3.25 | 5.35 | 3.55 | 5.51 | 4.07 |
| 40.0 | 3.24 | 1.51 | 3.67 | 1.72 | 3.87 | 1.98 | 4.14 | 2.23 | 4.42 | 2.43 | 4.56 | 2.79 |
| 46.0 | 2.57 | 0.95 | 2.90 | 1.08 | 3.06 | 1.24 | 3.28 | 1.40 | 3.50 | 1.53 | 3.61 | 1.75 |

Model: ASYG07KMCE

| Outdoor temperature | Indoor temperature (°CDB / °CWB) | | | | | | | | | | | |
|---------------------|----------------------------------|------|-------------|------|-------------|------|-------------|------|-------------|------|-------------|------|
| | 18.0 / 12.0 | | 21.0 / 15.0 | | 23.0 / 16.0 | | 27.0 / 19.0 | | 29.0 / 21.0 | | 32.0 / 23.0 | |
| (°CDB) | TC | SHC | TC | SHC | TC | SHC | TC | SHC | TC | SHC | TC | SHC |
| -10.0 | 1.96 | 1.10 | 2.22 | 1.26 | 2.34 | 1.45 | 2.50 | 1.63 | 2.67 | 1.78 | 2.76 | 2.04 |
| -5.0 | 1.96 | 1.10 | 2.22 | 1.26 | 2.34 | 1.45 | 2.50 | 1.63 | 2.67 | 1.78 | 2.76 | 2.04 |
| 0.0 | 1.96 | 1.10 | 2.22 | 1.26 | 2.34 | 1.45 | 2.50 | 1.63 | 2.67 | 1.78 | 2.76 | 2.04 |
| 5.0 | 1.96 | 1.10 | 2.22 | 1.26 | 2.34 | 1.45 | 2.50 | 1.63 | 2.67 | 1.78 | 2.76 | 2.04 |
| 10.0 | 1.96 | 1.10 | 2.22 | 1.26 | 2.34 | 1.45 | 2.50 | 1.63 | 2.67 | 1.78 | 2.76 | 2.04 |
| 15.0 | 1.96 | 1.10 | 2.22 | 1.26 | 2.34 | 1.45 | 2.50 | 1.63 | 2.67 | 1.78 | 2.76 | 2.04 |
| 20.0 | 1.96 | 1.10 | 2.22 | 1.26 | 2.34 | 1.45 | 2.50 | 1.63 | 2.67 | 1.78 | 2.76 | 2.04 |
| 25.0 | 1.96 | 1.10 | 2.22 | 1.26 | 2.34 | 1.45 | 2.50 | 1.63 | 2.67 | 1.78 | 2.76 | 2.04 |
| 30.0 | 1.96 | 1.10 | 2.22 | 1.26 | 2.34 | 1.45 | 2.50 | 1.63 | 2.67 | 1.78 | 2.76 | 2.04 |
| 35.0 | 1.96 | 1.10 | 2.22 | 1.26 | 2.34 | 1.45 | 2.50 | 1.63 | 2.67 | 1.78 | 2.76 | 2.04 |
| 40.0 | 1.62 | 0.75 | 1.83 | 0.86 | 1.93 | 0.99 | 2.07 | 1.11 | 2.21 | 1.22 | 2.28 | 1.39 |
| 46.0 | 1.28 | 0.47 | 1.45 | 0.54 | 1.53 | 0.62 | 1.64 | 0.70 | 1.75 | 0.76 | 1.81 | 0.87 |

Model: ASYG09KMCE

| Outdoor temperature | Indoor temperature (°CDB / °CWB) | | | | | | | | | | | |
|---------------------|----------------------------------|------|-------------|------|-------------|------|-------------|------|-------------|------|-------------|------|
| | 18.0 / 12.0 | | 21.0 / 15.0 | | 23.0 / 16.0 | | 27.0 / 19.0 | | 29.0 / 21.0 | | 32.0 / 23.0 | |
| (°CDB) | TC | SHC | TC | SHC | TC | SHC | TC | SHC | TC | SHC | TC | SHC |
| -10.0 | 2.51 | 1.41 | 2.84 | 1.61 | 2.99 | 1.85 | 3.20 | 2.08 | 3.42 | 2.27 | 3.53 | 2.61 |
| -5.0 | 2.51 | 1.41 | 2.84 | 1.61 | 2.99 | 1.85 | 3.20 | 2.08 | 3.42 | 2.27 | 3.53 | 2.61 |
| 0.0 | 2.51 | 1.41 | 2.84 | 1.61 | 2.99 | 1.85 | 3.20 | 2.08 | 3.42 | 2.27 | 3.53 | 2.61 |
| 5.0 | 2.51 | 1.41 | 2.84 | 1.61 | 2.99 | 1.85 | 3.20 | 2.08 | 3.42 | 2.27 | 3.53 | 2.61 |
| 10.0 | 2.51 | 1.41 | 2.84 | 1.61 | 2.99 | 1.85 | 3.20 | 2.08 | 3.42 | 2.27 | 3.53 | 2.61 |
| 15.0 | 2.51 | 1.41 | 2.84 | 1.61 | 2.99 | 1.85 | 3.20 | 2.08 | 3.42 | 2.27 | 3.53 | 2.61 |
| 20.0 | 2.51 | 1.41 | 2.84 | 1.61 | 2.99 | 1.85 | 3.20 | 2.08 | 3.42 | 2.27 | 3.53 | 2.61 |
| 25.0 | 2.51 | 1.41 | 2.84 | 1.61 | 2.99 | 1.85 | 3.20 | 2.08 | 3.42 | 2.27 | 3.53 | 2.61 |
| 30.0 | 2.51 | 1.41 | 2.84 | 1.61 | 2.99 | 1.85 | 3.20 | 2.08 | 3.42 | 2.27 | 3.53 | 2.61 |
| 35.0 | 2.51 | 1.41 | 2.84 | 1.61 | 2.99 | 1.85 | 3.20 | 2.08 | 3.42 | 2.27 | 3.53 | 2.61 |
| 40.0 | 2.08 | 0.97 | 2.35 | 1.10 | 2.47 | 1.27 | 2.65 | 1.42 | 2.83 | 1.56 | 2.92 | 1.79 |
| 46.0 | 1.64 | 0.61 | 1.86 | 0.69 | 1.96 | 0.79 | 2.10 | 0.89 | 2.24 | 0.98 | 2.31 | 1.12 |

Model: ASYG12KMCE

| Outdoor temperature | Indoor temperature (°CDB / °CWB) | | | | | | | | | | | |
|---------------------|----------------------------------|------|-------------|------|-------------|------|-------------|------|-------------|------|-------------|------|
| | 18.0 / 12.0 | | 21.0 / 15.0 | | 23.0 / 16.0 | | 27.0 / 19.0 | | 29.0 / 21.0 | | 32.0 / 23.0 | |
| (°CDB) | TC | SHC | TC | SHC | TC | SHC | TC | SHC | TC | SHC | TC | SHC |
| -10.0 | 3.37 | 1.90 | 3.81 | 2.16 | 4.02 | 2.49 | 4.30 | 2.80 | 4.60 | 3.06 | 4.74 | 3.50 |
| -5.0 | 3.37 | 1.90 | 3.81 | 2.16 | 4.02 | 2.49 | 4.30 | 2.80 | 4.60 | 3.06 | 4.74 | 3.50 |
| 0.0 | 3.37 | 1.90 | 3.81 | 2.16 | 4.02 | 2.49 | 4.30 | 2.80 | 4.60 | 3.06 | 4.74 | 3.50 |
| 5.0 | 3.37 | 1.90 | 3.81 | 2.16 | 4.02 | 2.49 | 4.30 | 2.80 | 4.60 | 3.06 | 4.74 | 3.50 |
| 10.0 | 3.37 | 1.90 | 3.81 | 2.16 | 4.02 | 2.49 | 4.30 | 2.80 | 4.60 | 3.06 | 4.74 | 3.50 |
| 15.0 | 3.37 | 1.90 | 3.81 | 2.16 | 4.02 | 2.49 | 4.30 | 2.80 | 4.60 | 3.06 | 4.74 | 3.50 |
| 20.0 | 3.37 | 1.90 | 3.81 | 2.16 | 4.02 | 2.49 | 4.30 | 2.80 | 4.60 | 3.06 | 4.74 | 3.50 |
| 25.0 | 3.37 | 1.90 | 3.81 | 2.16 | 4.02 | 2.49 | 4.30 | 2.80 | 4.60 | 3.06 | 4.74 | 3.50 |
| 30.0 | 3.37 | 1.90 | 3.81 | 2.16 | 4.02 | 2.49 | 4.30 | 2.80 | 4.60 | 3.06 | 4.74 | 3.50 |
| 35.0 | 3.37 | 1.90 | 3.81 | 2.16 | 4.02 | 2.49 | 4.30 | 2.80 | 4.60 | 3.06 | 4.74 | 3.50 |
| 40.0 | 2.79 | 1.30 | 3.15 | 1.48 | 3.32 | 1.70 | 3.56 | 1.91 | 3.80 | 2.09 | 3.92 | 2.40 |
| 46.0 | 2.21 | 0.81 | 2.50 | 0.93 | 2.63 | 1.07 | 2.82 | 1.20 | 3.01 | 1.31 | 3.11 | 1.50 |

Model: ASYG14KMCE

| Outdoor temperature | Indoor temperature (°CDB / °CWB) | | | | | | | | | | | |
|---------------------|----------------------------------|------|-------------|------|-------------|------|-------------|------|-------------|------|-------------|------|
| | 18.0 / 12.0 | | 21.0 / 15.0 | | 23.0 / 16.0 | | 27.0 / 19.0 | | 29.0 / 21.0 | | 32.0 / 23.0 | |
| (°CDB) | TC | SHC | TC | SHC | TC | SHC | TC | SHC | TC | SHC | TC | SHC |
| -10.0 | 3.92 | 2.20 | 4.43 | 2.51 | 4.67 | 2.89 | 5.00 | 3.25 | 5.35 | 3.55 | 5.51 | 4.07 |
| -5.0 | 3.92 | 2.20 | 4.43 | 2.51 | 4.67 | 2.89 | 5.00 | 3.25 | 5.35 | 3.55 | 5.51 | 4.07 |
| 0.0 | 3.92 | 2.20 | 4.43 | 2.51 | 4.67 | 2.89 | 5.00 | 3.25 | 5.35 | 3.55 | 5.51 | 4.07 |
| 5.0 | 3.92 | 2.20 | 4.43 | 2.51 | 4.67 | 2.89 | 5.00 | 3.25 | 5.35 | 3.55 | 5.51 | 4.07 |
| 10.0 | 3.92 | 2.20 | 4.43 | 2.51 | 4.67 | 2.89 | 5.00 | 3.25 | 5.35 | 3.55 | 5.51 | 4.07 |
| 15.0 | 3.92 | 2.20 | 4.43 | 2.51 | 4.67 | 2.89 | 5.00 | 3.25 | 5.35 | 3.55 | 5.51 | 4.07 |
| 20.0 | 3.92 | 2.20 | 4.43 | 2.51 | 4.67 | 2.89 | 5.00 | 3.25 | 5.35 | 3.55 | 5.51 | 4.07 |
| 25.0 | 3.92 | 2.20 | 4.43 | 2.51 | 4.67 | 2.89 | 5.00 | 3.25 | 5.35 | 3.55 | 5.51 | 4.07 |
| 30.0 | 3.92 | 2.20 | 4.43 | 2.51 | 4.67 | 2.89 | 5.00 | 3.25 | 5.35 | 3.55 | 5.51 | 4.07 |
| 35.0 | 3.92 | 2.20 | 4.43 | 2.51 | 4.67 | 2.89 | 5.00 | 3.25 | 5.35 | 3.55 | 5.51 | 4.07 |
| 40.0 | 3.24 | 1.51 | 3.67 | 1.72 | 3.87 | 1.98 | 4.14 | 2.23 | 4.42 | 2.43 | 4.56 | 2.79 |
| 46.0 | 2.57 | 0.95 | 2.90 | 1.08 | 3.06 | 1.24 | 3.28 | 1.40 | 3.50 | 1.53 | 3.61 | 1.75 |

Model: ASYG07KMCF

| Outdoor temperature | Indoor temperature (°CDB / °CWB) | | | | | | | | | | | |
|---------------------|----------------------------------|------|-------------|------|-------------|------|-------------|------|-------------|------|-------------|------|
| | 18.0 / 12.0 | | 21.0 / 15.0 | | 23.0 / 16.0 | | 27.0 / 19.0 | | 29.0 / 21.0 | | 32.0 / 23.0 | |
| (°CDB) | TC | SHC | TC | SHC | TC | SHC | TC | SHC | TC | SHC | TC | SHC |
| -10.0 | 1.96 | 1.10 | 2.22 | 1.26 | 2.34 | 1.45 | 2.50 | 1.63 | 2.67 | 1.78 | 2.76 | 2.04 |
| -5.0 | 1.96 | 1.10 | 2.22 | 1.26 | 2.34 | 1.45 | 2.50 | 1.63 | 2.67 | 1.78 | 2.76 | 2.04 |
| 0.0 | 1.96 | 1.10 | 2.22 | 1.26 | 2.34 | 1.45 | 2.50 | 1.63 | 2.67 | 1.78 | 2.76 | 2.04 |
| 5.0 | 1.96 | 1.10 | 2.22 | 1.26 | 2.34 | 1.45 | 2.50 | 1.63 | 2.67 | 1.78 | 2.76 | 2.04 |
| 10.0 | 1.96 | 1.10 | 2.22 | 1.26 | 2.34 | 1.45 | 2.50 | 1.63 | 2.67 | 1.78 | 2.76 | 2.04 |
| 15.0 | 1.96 | 1.10 | 2.22 | 1.26 | 2.34 | 1.45 | 2.50 | 1.63 | 2.67 | 1.78 | 2.76 | 2.04 |
| 20.0 | 1.96 | 1.10 | 2.22 | 1.26 | 2.34 | 1.45 | 2.50 | 1.63 | 2.67 | 1.78 | 2.76 | 2.04 |
| 25.0 | 1.96 | 1.10 | 2.22 | 1.26 | 2.34 | 1.45 | 2.50 | 1.63 | 2.67 | 1.78 | 2.76 | 2.04 |
| 30.0 | 1.96 | 1.10 | 2.22 | 1.26 | 2.34 | 1.45 | 2.50 | 1.63 | 2.67 | 1.78 | 2.76 | 2.04 |
| 35.0 | 1.96 | 1.10 | 2.22 | 1.26 | 2.34 | 1.45 | 2.50 | 1.63 | 2.67 | 1.78 | 2.76 | 2.04 |
| 40.0 | 1.62 | 0.75 | 1.83 | 0.86 | 1.93 | 0.99 | 2.07 | 1.11 | 2.21 | 1.22 | 2.28 | 1.39 |
| 46.0 | 1.28 | 0.47 | 1.45 | 0.54 | 1.53 | 0.62 | 1.64 | 0.70 | 1.75 | 0.76 | 1.81 | 0.87 |

OUTDOOR UNIT
AOYG30KETA4OUTDOOR UNIT
AOYG30KETA4

Model: ASYG09KMCF

| Outdoor temperature | Indoor temperature (°CDB / °CWB) | | | | | | | | | | | |
|---------------------|----------------------------------|------|-------------|------|-------------|------|-------------|------|-------------|------|-------------|------|
| | 18.0 / 12.0 | | 21.0 / 15.0 | | 23.0 / 16.0 | | 27.0 / 19.0 | | 29.0 / 21.0 | | 32.0 / 23.0 | |
| (°CDB) | TC | SHC | TC | SHC | TC | SHC | TC | SHC | TC | SHC | TC | SHC |
| -10.0 | 2.51 | 1.41 | 2.84 | 1.61 | 2.99 | 1.85 | 3.20 | 2.08 | 3.42 | 2.27 | 3.53 | 2.61 |
| -5.0 | 2.51 | 1.41 | 2.84 | 1.61 | 2.99 | 1.85 | 3.20 | 2.08 | 3.42 | 2.27 | 3.53 | 2.61 |
| 0.0 | 2.51 | 1.41 | 2.84 | 1.61 | 2.99 | 1.85 | 3.20 | 2.08 | 3.42 | 2.27 | 3.53 | 2.61 |
| 5.0 | 2.51 | 1.41 | 2.84 | 1.61 | 2.99 | 1.85 | 3.20 | 2.08 | 3.42 | 2.27 | 3.53 | 2.61 |
| 10.0 | 2.51 | 1.41 | 2.84 | 1.61 | 2.99 | 1.85 | 3.20 | 2.08 | 3.42 | 2.27 | 3.53 | 2.61 |
| 15.0 | 2.51 | 1.41 | 2.84 | 1.61 | 2.99 | 1.85 | 3.20 | 2.08 | 3.42 | 2.27 | 3.53 | 2.61 |
| 20.0 | 2.51 | 1.41 | 2.84 | 1.61 | 2.99 | 1.85 | 3.20 | 2.08 | 3.42 | 2.27 | 3.53 | 2.61 |
| 25.0 | 2.51 | 1.41 | 2.84 | 1.61 | 2.99 | 1.85 | 3.20 | 2.08 | 3.42 | 2.27 | 3.53 | 2.61 |
| 30.0 | 2.51 | 1.41 | 2.84 | 1.61 | 2.99 | 1.85 | 3.20 | 2.08 | 3.42 | 2.27 | 3.53 | 2.61 |
| 35.0 | 2.51 | 1.41 | 2.84 | 1.61 | 2.99 | 1.85 | 3.20 | 2.08 | 3.42 | 2.27 | 3.53 | 2.61 |
| 40.0 | 2.08 | 0.97 | 2.35 | 1.10 | 2.47 | 1.27 | 2.65 | 1.42 | 2.83 | 1.56 | 2.92 | 1.79 |
| 46.0 | 1.64 | 0.61 | 1.86 | 0.69 | 1.96 | 0.79 | 2.10 | 0.89 | 2.24 | 0.98 | 2.31 | 1.12 |

Model: ASYG12KMCF

| Outdoor temperature | Indoor temperature (°CDB / °CWB) | | | | | | | | | | | |
|---------------------|----------------------------------|------|-------------|------|-------------|------|-------------|------|-------------|------|-------------|------|
| | 18.0 / 12.0 | | 21.0 / 15.0 | | 23.0 / 16.0 | | 27.0 / 19.0 | | 29.0 / 21.0 | | 32.0 / 23.0 | |
| (°CDB) | TC | SHC | TC | SHC | TC | SHC | TC | SHC | TC | SHC | TC | SHC |
| -10.0 | 3.37 | 1.90 | 3.81 | 2.16 | 4.02 | 2.49 | 4.30 | 2.80 | 4.60 | 3.06 | 4.74 | 3.50 |
| -5.0 | 3.37 | 1.90 | 3.81 | 2.16 | 4.02 | 2.49 | 4.30 | 2.80 | 4.60 | 3.06 | 4.74 | 3.50 |
| 0.0 | 3.37 | 1.90 | 3.81 | 2.16 | 4.02 | 2.49 | 4.30 | 2.80 | 4.60 | 3.06 | 4.74 | 3.50 |
| 5.0 | 3.37 | 1.90 | 3.81 | 2.16 | 4.02 | 2.49 | 4.30 | 2.80 | 4.60 | 3.06 | 4.74 | 3.50 |
| 10.0 | 3.37 | 1.90 | 3.81 | 2.16 | 4.02 | 2.49 | 4.30 | 2.80 | 4.60 | 3.06 | 4.74 | 3.50 |
| 15.0 | 3.37 | 1.90 | 3.81 | 2.16 | 4.02 | 2.49 | 4.30 | 2.80 | 4.60 | 3.06 | 4.74 | 3.50 |
| 20.0 | 3.37 | 1.90 | 3.81 | 2.16 | 4.02 | 2.49 | 4.30 | 2.80 | 4.60 | 3.06 | 4.74 | 3.50 |
| 25.0 | 3.37 | 1.90 | 3.81 | 2.16 | 4.02 | 2.49 | 4.30 | 2.80 | 4.60 | 3.06 | 4.74 | 3.50 |
| 30.0 | 3.37 | 1.90 | 3.81 | 2.16 | 4.02 | 2.49 | 4.30 | 2.80 | 4.60 | 3.06 | 4.74 | 3.50 |
| 35.0 | 3.37 | 1.90 | 3.81 | 2.16 | 4.02 | 2.49 | 4.30 | 2.80 | 4.60 | 3.06 | 4.74 | 3.50 |
| 40.0 | 2.79 | 1.30 | 3.15 | 1.48 | 3.32 | 1.70 | 3.56 | 1.91 | 3.80 | 2.09 | 3.92 | 2.40 |
| 46.0 | 2.21 | 0.81 | 2.50 | 0.93 | 2.63 | 1.07 | 2.82 | 1.20 | 3.01 | 1.31 | 3.11 | 1.50 |

Model: ASYG14KMCF

| Outdoor temperature | Indoor temperature (°CDB / °CWB) | | | | | | | | | | | |
|---------------------|----------------------------------|------|-------------|------|-------------|------|-------------|------|-------------|------|-------------|------|
| | 18.0 / 12.0 | | 21.0 / 15.0 | | 23.0 / 16.0 | | 27.0 / 19.0 | | 29.0 / 21.0 | | 32.0 / 23.0 | |
| (°CDB) | TC | SHC | TC | SHC | TC | SHC | TC | SHC | TC | SHC | TC | SHC |
| -10.0 | 3.92 | 2.20 | 4.43 | 2.51 | 4.67 | 2.89 | 5.00 | 3.25 | 5.35 | 3.55 | 5.51 | 4.07 |
| -5.0 | 3.92 | 2.20 | 4.43 | 2.51 | 4.67 | 2.89 | 5.00 | 3.25 | 5.35 | 3.55 | 5.51 | 4.07 |
| 0.0 | 3.92 | 2.20 | 4.43 | 2.51 | 4.67 | 2.89 | 5.00 | 3.25 | 5.35 | 3.55 | 5.51 | 4.07 |
| 5.0 | 3.92 | 2.20 | 4.43 | 2.51 | 4.67 | 2.89 | 5.00 | 3.25 | 5.35 | 3.55 | 5.51 | 4.07 |
| 10.0 | 3.92 | 2.20 | 4.43 | 2.51 | 4.67 | 2.89 | 5.00 | 3.25 | 5.35 | 3.55 | 5.51 | 4.07 |
| 15.0 | 3.92 | 2.20 | 4.43 | 2.51 | 4.67 | 2.89 | 5.00 | 3.25 | 5.35 | 3.55 | 5.51 | 4.07 |
| 20.0 | 3.92 | 2.20 | 4.43 | 2.51 | 4.67 | 2.89 | 5.00 | 3.25 | 5.35 | 3.55 | 5.51 | 4.07 |
| 25.0 | 3.92 | 2.20 | 4.43 | 2.51 | 4.67 | 2.89 | 5.00 | 3.25 | 5.35 | 3.55 | 5.51 | 4.07 |
| 30.0 | 3.92 | 2.20 | 4.43 | 2.51 | 4.67 | 2.89 | 5.00 | 3.25 | 5.35 | 3.55 | 5.51 | 4.07 |
| 35.0 | 3.92 | 2.20 | 4.43 | 2.51 | 4.67 | 2.89 | 5.00 | 3.25 | 5.35 | 3.55 | 5.51 | 4.07 |
| 40.0 | 3.24 | 1.51 | 3.67 | 1.72 | 3.87 | 1.98 | 4.14 | 2.23 | 4.42 | 2.43 | 4.56 | 2.79 |
| 46.0 | 2.57 | 0.95 | 2.90 | 1.08 | 3.06 | 1.24 | 3.28 | 1.40 | 3.50 | 1.53 | 3.61 | 1.75 |

Model: ASYG07KETA, ASYG07KETA-B

| Outdoor temperature | Indoor temperature (°CDB / °CWB) | | | | | | | | | | | |
|---------------------|----------------------------------|------|-------------|------|-------------|------|-------------|------|-------------|------|-------------|------|
| | 18.0 / 12.0 | | 21.0 / 15.0 | | 23.0 / 16.0 | | 27.0 / 19.0 | | 29.0 / 21.0 | | 32.0 / 23.0 | |
| (°CDB) | TC | SHC | TC | SHC | TC | SHC | TC | SHC | TC | SHC | TC | SHC |
| -10.0 | 1.96 | 1.10 | 2.22 | 1.26 | 2.34 | 1.45 | 2.50 | 1.63 | 2.67 | 1.78 | 2.76 | 2.04 |
| -5.0 | 1.96 | 1.10 | 2.22 | 1.26 | 2.34 | 1.45 | 2.50 | 1.63 | 2.67 | 1.78 | 2.76 | 2.04 |
| 0.0 | 1.96 | 1.10 | 2.22 | 1.26 | 2.34 | 1.45 | 2.50 | 1.63 | 2.67 | 1.78 | 2.76 | 2.04 |
| 5.0 | 1.96 | 1.10 | 2.22 | 1.26 | 2.34 | 1.45 | 2.50 | 1.63 | 2.67 | 1.78 | 2.76 | 2.04 |
| 10.0 | 1.96 | 1.10 | 2.22 | 1.26 | 2.34 | 1.45 | 2.50 | 1.63 | 2.67 | 1.78 | 2.76 | 2.04 |
| 15.0 | 1.96 | 1.10 | 2.22 | 1.26 | 2.34 | 1.45 | 2.50 | 1.63 | 2.67 | 1.78 | 2.76 | 2.04 |
| 20.0 | 1.96 | 1.10 | 2.22 | 1.26 | 2.34 | 1.45 | 2.50 | 1.63 | 2.67 | 1.78 | 2.76 | 2.04 |
| 25.0 | 1.96 | 1.10 | 2.22 | 1.26 | 2.34 | 1.45 | 2.50 | 1.63 | 2.67 | 1.78 | 2.76 | 2.04 |
| 30.0 | 1.96 | 1.10 | 2.22 | 1.26 | 2.34 | 1.45 | 2.50 | 1.63 | 2.67 | 1.78 | 2.76 | 2.04 |
| 35.0 | 1.96 | 1.10 | 2.22 | 1.26 | 2.34 | 1.45 | 2.50 | 1.63 | 2.67 | 1.78 | 2.76 | 2.04 |
| 40.0 | 1.62 | 0.75 | 1.83 | 0.86 | 1.93 | 0.99 | 2.07 | 1.11 | 2.21 | 1.22 | 2.28 | 1.39 |
| 46.0 | 1.28 | 0.47 | 1.45 | 0.54 | 1.53 | 0.62 | 1.64 | 0.70 | 1.75 | 0.76 | 1.81 | 0.87 |

OUTDOOR UNIT
AOYG30KETA4OUTDOOR UNIT
AOYG30KETA4

Model: ASYG09KETA, ASYG09KETA-B

| Outdoor temperature | Indoor temperature (°CDB / °CWB) | | | | | | | | | | | |
|---------------------|----------------------------------|------|-------------|------|-------------|------|-------------|------|-------------|------|-------------|------|
| | 18.0 / 12.0 | | 21.0 / 15.0 | | 23.0 / 16.0 | | 27.0 / 19.0 | | 29.0 / 21.0 | | 32.0 / 23.0 | |
| (°CDB) | TC | SHC | TC | SHC | TC | SHC | TC | SHC | TC | SHC | TC | SHC |
| -10.0 | 2.51 | 1.41 | 2.84 | 1.61 | 2.99 | 1.85 | 3.20 | 2.08 | 3.42 | 2.27 | 3.53 | 2.61 |
| -5.0 | 2.51 | 1.41 | 2.84 | 1.61 | 2.99 | 1.85 | 3.20 | 2.08 | 3.42 | 2.27 | 3.53 | 2.61 |
| 0.0 | 2.51 | 1.41 | 2.84 | 1.61 | 2.99 | 1.85 | 3.20 | 2.08 | 3.42 | 2.27 | 3.53 | 2.61 |
| 5.0 | 2.51 | 1.41 | 2.84 | 1.61 | 2.99 | 1.85 | 3.20 | 2.08 | 3.42 | 2.27 | 3.53 | 2.61 |
| 10.0 | 2.51 | 1.41 | 2.84 | 1.61 | 2.99 | 1.85 | 3.20 | 2.08 | 3.42 | 2.27 | 3.53 | 2.61 |
| 15.0 | 2.51 | 1.41 | 2.84 | 1.61 | 2.99 | 1.85 | 3.20 | 2.08 | 3.42 | 2.27 | 3.53 | 2.61 |
| 20.0 | 2.51 | 1.41 | 2.84 | 1.61 | 2.99 | 1.85 | 3.20 | 2.08 | 3.42 | 2.27 | 3.53 | 2.61 |
| 25.0 | 2.51 | 1.41 | 2.84 | 1.61 | 2.99 | 1.85 | 3.20 | 2.08 | 3.42 | 2.27 | 3.53 | 2.61 |
| 30.0 | 2.51 | 1.41 | 2.84 | 1.61 | 2.99 | 1.85 | 3.20 | 2.08 | 3.42 | 2.27 | 3.53 | 2.61 |
| 35.0 | 2.51 | 1.41 | 2.84 | 1.61 | 2.99 | 1.85 | 3.20 | 2.08 | 3.42 | 2.27 | 3.53 | 2.61 |
| 40.0 | 2.08 | 0.97 | 2.35 | 1.10 | 2.47 | 1.27 | 2.65 | 1.42 | 2.83 | 1.56 | 2.92 | 1.79 |
| 46.0 | 1.64 | 0.61 | 1.86 | 0.69 | 1.96 | 0.79 | 2.10 | 0.89 | 2.24 | 0.98 | 2.31 | 1.12 |

Model: ASYG12KETA, ASYG12KETA-B

| Outdoor temperature | Indoor temperature (°CDB / °CWB) | | | | | | | | | | | |
|---------------------|----------------------------------|------|-------------|------|-------------|------|-------------|------|-------------|------|-------------|------|
| | 18.0 / 12.0 | | 21.0 / 15.0 | | 23.0 / 16.0 | | 27.0 / 19.0 | | 29.0 / 21.0 | | 32.0 / 23.0 | |
| (°CDB) | TC | SHC | TC | SHC | TC | SHC | TC | SHC | TC | SHC | TC | SHC |
| -10.0 | 3.37 | 1.90 | 3.81 | 2.16 | 4.02 | 2.49 | 4.30 | 2.80 | 4.60 | 3.06 | 4.74 | 3.50 |
| -5.0 | 3.37 | 1.90 | 3.81 | 2.16 | 4.02 | 2.49 | 4.30 | 2.80 | 4.60 | 3.06 | 4.74 | 3.50 |
| 0.0 | 3.37 | 1.90 | 3.81 | 2.16 | 4.02 | 2.49 | 4.30 | 2.80 | 4.60 | 3.06 | 4.74 | 3.50 |
| 5.0 | 3.37 | 1.90 | 3.81 | 2.16 | 4.02 | 2.49 | 4.30 | 2.80 | 4.60 | 3.06 | 4.74 | 3.50 |
| 10.0 | 3.37 | 1.90 | 3.81 | 2.16 | 4.02 | 2.49 | 4.30 | 2.80 | 4.60 | 3.06 | 4.74 | 3.50 |
| 15.0 | 3.37 | 1.90 | 3.81 | 2.16 | 4.02 | 2.49 | 4.30 | 2.80 | 4.60 | 3.06 | 4.74 | 3.50 |
| 20.0 | 3.37 | 1.90 | 3.81 | 2.16 | 4.02 | 2.49 | 4.30 | 2.80 | 4.60 | 3.06 | 4.74 | 3.50 |
| 25.0 | 3.37 | 1.90 | 3.81 | 2.16 | 4.02 | 2.49 | 4.30 | 2.80 | 4.60 | 3.06 | 4.74 | 3.50 |
| 30.0 | 3.37 | 1.90 | 3.81 | 2.16 | 4.02 | 2.49 | 4.30 | 2.80 | 4.60 | 3.06 | 4.74 | 3.50 |
| 35.0 | 3.37 | 1.90 | 3.81 | 2.16 | 4.02 | 2.49 | 4.30 | 2.80 | 4.60 | 3.06 | 4.74 | 3.50 |
| 40.0 | 2.79 | 1.30 | 3.15 | 1.48 | 3.32 | 1.70 | 3.56 | 1.91 | 3.80 | 2.09 | 3.92 | 2.40 |
| 46.0 | 2.21 | 0.81 | 2.50 | 0.93 | 2.63 | 1.07 | 2.82 | 1.20 | 3.01 | 1.31 | 3.11 | 1.50 |

Model: ASYG14KETA, ASYG14KETA-B

| Outdoor temperature | Indoor temperature (°CDB / °CWB) | | | | | | | | | | | |
|---------------------|----------------------------------|------|-------------|------|-------------|------|-------------|------|-------------|------|-------------|------|
| | 18.0 / 12.0 | | 21.0 / 15.0 | | 23.0 / 16.0 | | 27.0 / 19.0 | | 29.0 / 21.0 | | 32.0 / 23.0 | |
| (°CDB) | TC | SHC | TC | SHC | TC | SHC | TC | SHC | TC | SHC | TC | SHC |
| -10.0 | 3.92 | 2.20 | 4.43 | 2.51 | 4.67 | 2.89 | 5.00 | 3.25 | 5.35 | 3.55 | 5.51 | 4.07 |
| -5.0 | 3.92 | 2.20 | 4.43 | 2.51 | 4.67 | 2.89 | 5.00 | 3.25 | 5.35 | 3.55 | 5.51 | 4.07 |
| 0.0 | 3.92 | 2.20 | 4.43 | 2.51 | 4.67 | 2.89 | 5.00 | 3.25 | 5.35 | 3.55 | 5.51 | 4.07 |
| 5.0 | 3.92 | 2.20 | 4.43 | 2.51 | 4.67 | 2.89 | 5.00 | 3.25 | 5.35 | 3.55 | 5.51 | 4.07 |
| 10.0 | 3.92 | 2.20 | 4.43 | 2.51 | 4.67 | 2.89 | 5.00 | 3.25 | 5.35 | 3.55 | 5.51 | 4.07 |
| 15.0 | 3.92 | 2.20 | 4.43 | 2.51 | 4.67 | 2.89 | 5.00 | 3.25 | 5.35 | 3.55 | 5.51 | 4.07 |
| 20.0 | 3.92 | 2.20 | 4.43 | 2.51 | 4.67 | 2.89 | 5.00 | 3.25 | 5.35 | 3.55 | 5.51 | 4.07 |
| 25.0 | 3.92 | 2.20 | 4.43 | 2.51 | 4.67 | 2.89 | 5.00 | 3.25 | 5.35 | 3.55 | 5.51 | 4.07 |
| 30.0 | 3.92 | 2.20 | 4.43 | 2.51 | 4.67 | 2.89 | 5.00 | 3.25 | 5.35 | 3.55 | 5.51 | 4.07 |
| 35.0 | 3.92 | 2.20 | 4.43 | 2.51 | 4.67 | 2.89 | 5.00 | 3.25 | 5.35 | 3.55 | 5.51 | 4.07 |
| 40.0 | 3.24 | 1.51 | 3.67 | 1.72 | 3.87 | 1.98 | 4.14 | 2.23 | 4.42 | 2.43 | 4.56 | 2.79 |
| 46.0 | 2.57 | 0.95 | 2.90 | 1.08 | 3.06 | 1.24 | 3.28 | 1.40 | 3.50 | 1.53 | 3.61 | 1.75 |

Model: ASYG07KETE, ASYG07KETE-B

| Outdoor temperature | Indoor temperature (°CDB / °CWB) | | | | | | | | | | | |
|---------------------|----------------------------------|------|-------------|------|-------------|------|-------------|------|-------------|------|-------------|------|
| | 18.0 / 12.0 | | 21.0 / 15.0 | | 23.0 / 16.0 | | 27.0 / 19.0 | | 29.0 / 21.0 | | 32.0 / 23.0 | |
| (°CDB) | TC | SHC | TC | SHC | TC | SHC | TC | SHC | TC | SHC | TC | SHC |
| -10.0 | 1.96 | 1.10 | 2.22 | 1.26 | 2.34 | 1.45 | 2.50 | 1.63 | 2.67 | 1.78 | 2.76 | 2.04 |
| -5.0 | 1.96 | 1.10 | 2.22 | 1.26 | 2.34 | 1.45 | 2.50 | 1.63 | 2.67 | 1.78 | 2.76 | 2.04 |
| 0.0 | 1.96 | 1.10 | 2.22 | 1.26 | 2.34 | 1.45 | 2.50 | 1.63 | 2.67 | 1.78 | 2.76 | 2.04 |
| 5.0 | 1.96 | 1.10 | 2.22 | 1.26 | 2.34 | 1.45 | 2.50 | 1.63 | 2.67 | 1.78 | 2.76 | 2.04 |
| 10.0 | 1.96 | 1.10 | 2.22 | 1.26 | 2.34 | 1.45 | 2.50 | 1.63 | 2.67 | 1.78 | 2.76 | 2.04 |
| 15.0 | 1.96 | 1.10 | 2.22 | 1.26 | 2.34 | 1.45 | 2.50 | 1.63 | 2.67 | 1.78 | 2.76 | 2.04 |
| 20.0 | 1.96 | 1.10 | 2.22 | 1.26 | 2.34 | 1.45 | 2.50 | 1.63 | 2.67 | 1.78 | 2.76 | 2.04 |
| 25.0 | 1.96 | 1.10 | 2.22 | 1.26 | 2.34 | 1.45 | 2.50 | 1.63 | 2.67 | 1.78 | 2.76 | 2.04 |
| 30.0 | 1.96 | 1.10 | 2.22 | 1.26 | 2.34 | 1.45 | 2.50 | 1.63 | 2.67 | 1.78 | 2.76 | 2.04 |
| 35.0 | 1.96 | 1.10 | 2.22 | 1.26 | 2.34 | 1.45 | 2.50 | 1.63 | 2.67 | 1.78 | 2.76 | 2.04 |
| 40.0 | 1.62 | 0.75 | 1.83 | 0.86 | 1.93 | 0.99 | 2.07 | 1.11 | 2.21 | 1.22 | 2.28 | 1.39 |
| 46.0 | 1.28 | 0.47 | 1.45 | 0.54 | 1.53 | 0.62 | 1.64 | 0.70 | 1.75 | 0.76 | 1.81 | 0.87 |

OUTDOOR UNIT
AOYG30KETA4OUTDOOR UNIT
AOYG30KETA4

Model: ASYG09KETE, ASYG09KETE-B

| Outdoor temperature | Indoor temperature (°CDB / °CWB) | | | | | | | | | | | |
|---------------------|----------------------------------|------|-------------|------|-------------|------|-------------|------|-------------|------|-------------|------|
| | 18.0 / 12.0 | | 21.0 / 15.0 | | 23.0 / 16.0 | | 27.0 / 19.0 | | 29.0 / 21.0 | | 32.0 / 23.0 | |
| (°CDB) | TC | SHC | TC | SHC | TC | SHC | TC | SHC | TC | SHC | TC | SHC |
| -10.0 | 2.51 | 1.41 | 2.84 | 1.61 | 2.99 | 1.85 | 3.20 | 2.08 | 3.42 | 2.27 | 3.53 | 2.61 |
| -5.0 | 2.51 | 1.41 | 2.84 | 1.61 | 2.99 | 1.85 | 3.20 | 2.08 | 3.42 | 2.27 | 3.53 | 2.61 |
| 0.0 | 2.51 | 1.41 | 2.84 | 1.61 | 2.99 | 1.85 | 3.20 | 2.08 | 3.42 | 2.27 | 3.53 | 2.61 |
| 5.0 | 2.51 | 1.41 | 2.84 | 1.61 | 2.99 | 1.85 | 3.20 | 2.08 | 3.42 | 2.27 | 3.53 | 2.61 |
| 10.0 | 2.51 | 1.41 | 2.84 | 1.61 | 2.99 | 1.85 | 3.20 | 2.08 | 3.42 | 2.27 | 3.53 | 2.61 |
| 15.0 | 2.51 | 1.41 | 2.84 | 1.61 | 2.99 | 1.85 | 3.20 | 2.08 | 3.42 | 2.27 | 3.53 | 2.61 |
| 20.0 | 2.51 | 1.41 | 2.84 | 1.61 | 2.99 | 1.85 | 3.20 | 2.08 | 3.42 | 2.27 | 3.53 | 2.61 |
| 25.0 | 2.51 | 1.41 | 2.84 | 1.61 | 2.99 | 1.85 | 3.20 | 2.08 | 3.42 | 2.27 | 3.53 | 2.61 |
| 30.0 | 2.51 | 1.41 | 2.84 | 1.61 | 2.99 | 1.85 | 3.20 | 2.08 | 3.42 | 2.27 | 3.53 | 2.61 |
| 35.0 | 2.51 | 1.41 | 2.84 | 1.61 | 2.99 | 1.85 | 3.20 | 2.08 | 3.42 | 2.27 | 3.53 | 2.61 |
| 40.0 | 2.08 | 0.97 | 2.35 | 1.10 | 2.47 | 1.27 | 2.65 | 1.42 | 2.83 | 1.56 | 2.92 | 1.79 |
| 46.0 | 1.64 | 0.61 | 1.86 | 0.69 | 1.96 | 0.79 | 2.10 | 0.89 | 2.24 | 0.98 | 2.31 | 1.12 |

Model: ASYG12KETE, ASYG12KETE-B

| Outdoor temperature | Indoor temperature (°CDB / °CWB) | | | | | | | | | | | |
|---------------------|----------------------------------|------|-------------|------|-------------|------|-------------|------|-------------|------|-------------|------|
| | 18.0 / 12.0 | | 21.0 / 15.0 | | 23.0 / 16.0 | | 27.0 / 19.0 | | 29.0 / 21.0 | | 32.0 / 23.0 | |
| (°CDB) | TC | SHC | TC | SHC | TC | SHC | TC | SHC | TC | SHC | TC | SHC |
| -10.0 | 3.37 | 1.90 | 3.81 | 2.16 | 4.02 | 2.49 | 4.30 | 2.80 | 4.60 | 3.06 | 4.74 | 3.50 |
| -5.0 | 3.37 | 1.90 | 3.81 | 2.16 | 4.02 | 2.49 | 4.30 | 2.80 | 4.60 | 3.06 | 4.74 | 3.50 |
| 0.0 | 3.37 | 1.90 | 3.81 | 2.16 | 4.02 | 2.49 | 4.30 | 2.80 | 4.60 | 3.06 | 4.74 | 3.50 |
| 5.0 | 3.37 | 1.90 | 3.81 | 2.16 | 4.02 | 2.49 | 4.30 | 2.80 | 4.60 | 3.06 | 4.74 | 3.50 |
| 10.0 | 3.37 | 1.90 | 3.81 | 2.16 | 4.02 | 2.49 | 4.30 | 2.80 | 4.60 | 3.06 | 4.74 | 3.50 |
| 15.0 | 3.37 | 1.90 | 3.81 | 2.16 | 4.02 | 2.49 | 4.30 | 2.80 | 4.60 | 3.06 | 4.74 | 3.50 |
| 20.0 | 3.37 | 1.90 | 3.81 | 2.16 | 4.02 | 2.49 | 4.30 | 2.80 | 4.60 | 3.06 | 4.74 | 3.50 |
| 25.0 | 3.37 | 1.90 | 3.81 | 2.16 | 4.02 | 2.49 | 4.30 | 2.80 | 4.60 | 3.06 | 4.74 | 3.50 |
| 30.0 | 3.37 | 1.90 | 3.81 | 2.16 | 4.02 | 2.49 | 4.30 | 2.80 | 4.60 | 3.06 | 4.74 | 3.50 |
| 35.0 | 3.37 | 1.90 | 3.81 | 2.16 | 4.02 | 2.49 | 4.30 | 2.80 | 4.60 | 3.06 | 4.74 | 3.50 |
| 40.0 | 2.79 | 1.30 | 3.15 | 1.48 | 3.32 | 1.70 | 3.56 | 1.91 | 3.80 | 2.09 | 3.92 | 2.40 |
| 46.0 | 2.21 | 0.81 | 2.50 | 0.93 | 2.63 | 1.07 | 2.82 | 1.20 | 3.01 | 1.31 | 3.11 | 1.50 |

Model: ASYG14KETE, ASYG14KETE-B

| Outdoor temperature | Indoor temperature (°CDB / °CWB) | | | | | | | | | | | |
|---------------------|----------------------------------|------|-------------|------|-------------|------|-------------|------|-------------|------|-------------|------|
| | 18.0 / 12.0 | | 21.0 / 15.0 | | 23.0 / 16.0 | | 27.0 / 19.0 | | 29.0 / 21.0 | | 32.0 / 23.0 | |
| (°CDB) | TC | SHC | TC | SHC | TC | SHC | TC | SHC | TC | SHC | TC | SHC |
| -10.0 | 3.92 | 2.20 | 4.43 | 2.51 | 4.67 | 2.89 | 5.00 | 3.25 | 5.35 | 3.55 | 5.51 | 4.07 |
| -5.0 | 3.92 | 2.20 | 4.43 | 2.51 | 4.67 | 2.89 | 5.00 | 3.25 | 5.35 | 3.55 | 5.51 | 4.07 |
| 0.0 | 3.92 | 2.20 | 4.43 | 2.51 | 4.67 | 2.89 | 5.00 | 3.25 | 5.35 | 3.55 | 5.51 | 4.07 |
| 5.0 | 3.92 | 2.20 | 4.43 | 2.51 | 4.67 | 2.89 | 5.00 | 3.25 | 5.35 | 3.55 | 5.51 | 4.07 |
| 10.0 | 3.92 | 2.20 | 4.43 | 2.51 | 4.67 | 2.89 | 5.00 | 3.25 | 5.35 | 3.55 | 5.51 | 4.07 |
| 15.0 | 3.92 | 2.20 | 4.43 | 2.51 | 4.67 | 2.89 | 5.00 | 3.25 | 5.35 | 3.55 | 5.51 | 4.07 |
| 20.0 | 3.92 | 2.20 | 4.43 | 2.51 | 4.67 | 2.89 | 5.00 | 3.25 | 5.35 | 3.55 | 5.51 | 4.07 |
| 25.0 | 3.92 | 2.20 | 4.43 | 2.51 | 4.67 | 2.89 | 5.00 | 3.25 | 5.35 | 3.55 | 5.51 | 4.07 |
| 30.0 | 3.92 | 2.20 | 4.43 | 2.51 | 4.67 | 2.89 | 5.00 | 3.25 | 5.35 | 3.55 | 5.51 | 4.07 |
| 35.0 | 3.92 | 2.20 | 4.43 | 2.51 | 4.67 | 2.89 | 5.00 | 3.25 | 5.35 | 3.55 | 5.51 | 4.07 |
| 40.0 | 3.24 | 1.51 | 3.67 | 1.72 | 3.87 | 1.98 | 4.14 | 2.23 | 4.42 | 2.43 | 4.56 | 2.79 |
| 46.0 | 2.57 | 0.95 | 2.90 | 1.08 | 3.06 | 1.24 | 3.28 | 1.40 | 3.50 | 1.53 | 3.61 | 1.75 |

Model: ASYG07KETF, ASYG07KETF-B

| Outdoor temperature | Indoor temperature (°CDB / °CWB) | | | | | | | | | | | |
|---------------------|----------------------------------|------|-------------|------|-------------|------|-------------|------|-------------|------|-------------|------|
| | 18.0 / 12.0 | | 21.0 / 15.0 | | 23.0 / 16.0 | | 27.0 / 19.0 | | 29.0 / 21.0 | | 32.0 / 23.0 | |
| (°CDB) | TC | SHC | TC | SHC | TC | SHC | TC | SHC | TC | SHC | TC | SHC |
| -10.0 | 1.96 | 1.10 | 2.22 | 1.26 | 2.34 | 1.45 | 2.50 | 1.63 | 2.67 | 1.78 | 2.76 | 2.04 |
| -5.0 | 1.96 | 1.10 | 2.22 | 1.26 | 2.34 | 1.45 | 2.50 | 1.63 | 2.67 | 1.78 | 2.76 | 2.04 |
| 0.0 | 1.96 | 1.10 | 2.22 | 1.26 | 2.34 | 1.45 | 2.50 | 1.63 | 2.67 | 1.78 | 2.76 | 2.04 |
| 5.0 | 1.96 | 1.10 | 2.22 | 1.26 | 2.34 | 1.45 | 2.50 | 1.63 | 2.67 | 1.78 | 2.76 | 2.04 |
| 10.0 | 1.96 | 1.10 | 2.22 | 1.26 | 2.34 | 1.45 | 2.50 | 1.63 | 2.67 | 1.78 | 2.76 | 2.04 |
| 15.0 | 1.96 | 1.10 | 2.22 | 1.26 | 2.34 | 1.45 | 2.50 | 1.63 | 2.67 | 1.78 | 2.76 | 2.04 |
| 20.0 | 1.96 | 1.10 | 2.22 | 1.26 | 2.34 | 1.45 | 2.50 | 1.63 | 2.67 | 1.78 | 2.76 | 2.04 |
| 25.0 | 1.96 | 1.10 | 2.22 | 1.26 | 2.34 | 1.45 | 2.50 | 1.63 | 2.67 | 1.78 | 2.76 | 2.04 |
| 30.0 | 1.96 | 1.10 | 2.22 | 1.26 | 2.34 | 1.45 | 2.50 | 1.63 | 2.67 | 1.78 | 2.76 | 2.04 |
| 35.0 | 1.96 | 1.10 | 2.22 | 1.26 | 2.34 | 1.45 | 2.50 | 1.63 | 2.67 | 1.78 | 2.76 | 2.04 |
| 40.0 | 1.62 | 0.75 | 1.83 | 0.86 | 1.93 | 0.99 | 2.07 | 1.11 | 2.21 | 1.22 | 2.28 | 1.39 |
| 46.0 | 1.28 | 0.47 | 1.45 | 0.54 | 1.53 | 0.62 | 1.64 | 0.70 | 1.75 | 0.76 | 1.81 | 0.87 |

Model: ASYG09KETF, ASYG09KETF-B

| Outdoor temperature | Indoor temperature (°CDB / °CWB) | | | | | | | | | | | |
|---------------------|----------------------------------|------|-------------|------|-------------|------|-------------|------|-------------|------|-------------|------|
| | 18.0 / 12.0 | | 21.0 / 15.0 | | 23.0 / 16.0 | | 27.0 / 19.0 | | 29.0 / 21.0 | | 32.0 / 23.0 | |
| (°CDB) | TC | SHC | TC | SHC | TC | SHC | TC | SHC | TC | SHC | TC | SHC |
| -10.0 | 2.51 | 1.41 | 2.84 | 1.61 | 2.99 | 1.85 | 3.20 | 2.08 | 3.42 | 2.27 | 3.53 | 2.61 |
| -5.0 | 2.51 | 1.41 | 2.84 | 1.61 | 2.99 | 1.85 | 3.20 | 2.08 | 3.42 | 2.27 | 3.53 | 2.61 |
| 0.0 | 2.51 | 1.41 | 2.84 | 1.61 | 2.99 | 1.85 | 3.20 | 2.08 | 3.42 | 2.27 | 3.53 | 2.61 |
| 5.0 | 2.51 | 1.41 | 2.84 | 1.61 | 2.99 | 1.85 | 3.20 | 2.08 | 3.42 | 2.27 | 3.53 | 2.61 |
| 10.0 | 2.51 | 1.41 | 2.84 | 1.61 | 2.99 | 1.85 | 3.20 | 2.08 | 3.42 | 2.27 | 3.53 | 2.61 |
| 15.0 | 2.51 | 1.41 | 2.84 | 1.61 | 2.99 | 1.85 | 3.20 | 2.08 | 3.42 | 2.27 | 3.53 | 2.61 |
| 20.0 | 2.51 | 1.41 | 2.84 | 1.61 | 2.99 | 1.85 | 3.20 | 2.08 | 3.42 | 2.27 | 3.53 | 2.61 |
| 25.0 | 2.51 | 1.41 | 2.84 | 1.61 | 2.99 | 1.85 | 3.20 | 2.08 | 3.42 | 2.27 | 3.53 | 2.61 |
| 30.0 | 2.51 | 1.41 | 2.84 | 1.61 | 2.99 | 1.85 | 3.20 | 2.08 | 3.42 | 2.27 | 3.53 | 2.61 |
| 35.0 | 2.51 | 1.41 | 2.84 | 1.61 | 2.99 | 1.85 | 3.20 | 2.08 | 3.42 | 2.27 | 3.53 | 2.61 |
| 40.0 | 2.08 | 0.97 | 2.35 | 1.10 | 2.47 | 1.27 | 2.65 | 1.42 | 2.83 | 1.56 | 2.92 | 1.79 |
| 46.0 | 1.64 | 0.61 | 1.86 | 0.69 | 1.96 | 0.79 | 2.10 | 0.89 | 2.24 | 0.98 | 2.31 | 1.12 |

Model: ASYG12KETF, ASYG12KETF-B

| Outdoor temperature | Indoor temperature (°CDB / °CWB) | | | | | | | | | | | |
|---------------------|----------------------------------|------|-------------|------|-------------|------|-------------|------|-------------|------|-------------|------|
| | 18.0 / 12.0 | | 21.0 / 15.0 | | 23.0 / 16.0 | | 27.0 / 19.0 | | 29.0 / 21.0 | | 32.0 / 23.0 | |
| (°CDB) | TC | SHC | TC | SHC | TC | SHC | TC | SHC | TC | SHC | TC | SHC |
| -10.0 | 3.37 | 1.90 | 3.81 | 2.16 | 4.02 | 2.49 | 4.30 | 2.80 | 4.60 | 3.06 | 4.74 | 3.50 |
| -5.0 | 3.37 | 1.90 | 3.81 | 2.16 | 4.02 | 2.49 | 4.30 | 2.80 | 4.60 | 3.06 | 4.74 | 3.50 |
| 0.0 | 3.37 | 1.90 | 3.81 | 2.16 | 4.02 | 2.49 | 4.30 | 2.80 | 4.60 | 3.06 | 4.74 | 3.50 |
| 5.0 | 3.37 | 1.90 | 3.81 | 2.16 | 4.02 | 2.49 | 4.30 | 2.80 | 4.60 | 3.06 | 4.74 | 3.50 |
| 10.0 | 3.37 | 1.90 | 3.81 | 2.16 | 4.02 | 2.49 | 4.30 | 2.80 | 4.60 | 3.06 | 4.74 | 3.50 |
| 15.0 | 3.37 | 1.90 | 3.81 | 2.16 | 4.02 | 2.49 | 4.30 | 2.80 | 4.60 | 3.06 | 4.74 | 3.50 |
| 20.0 | 3.37 | 1.90 | 3.81 | 2.16 | 4.02 | 2.49 | 4.30 | 2.80 | 4.60 | 3.06 | 4.74 | 3.50 |
| 25.0 | 3.37 | 1.90 | 3.81 | 2.16 | 4.02 | 2.49 | 4.30 | 2.80 | 4.60 | 3.06 | 4.74 | 3.50 |
| 30.0 | 3.37 | 1.90 | 3.81 | 2.16 | 4.02 | 2.49 | 4.30 | 2.80 | 4.60 | 3.06 | 4.74 | 3.50 |
| 35.0 | 3.37 | 1.90 | 3.81 | 2.16 | 4.02 | 2.49 | 4.30 | 2.80 | 4.60 | 3.06 | 4.74 | 3.50 |
| 40.0 | 2.79 | 1.30 | 3.15 | 1.48 | 3.32 | 1.70 | 3.56 | 1.91 | 3.80 | 2.09 | 3.92 | 2.40 |
| 46.0 | 2.21 | 0.81 | 2.50 | 0.93 | 2.63 | 1.07 | 2.82 | 1.20 | 3.01 | 1.31 | 3.11 | 1.50 |

Model: ASYG14KETF, ASYG14KETF-B

| Outdoor temperature | Indoor temperature (°CDB / °CWB) | | | | | | | | | | | |
|---------------------|----------------------------------|------|-------------|------|-------------|------|-------------|------|-------------|------|-------------|------|
| | 18.0 / 12.0 | | 21.0 / 15.0 | | 23.0 / 16.0 | | 27.0 / 19.0 | | 29.0 / 21.0 | | 32.0 / 23.0 | |
| (°CDB) | TC | SHC | TC | SHC | TC | SHC | TC | SHC | TC | SHC | TC | SHC |
| -10.0 | 3.92 | 2.20 | 4.43 | 2.51 | 4.67 | 2.89 | 5.00 | 3.25 | 5.35 | 3.55 | 5.51 | 4.07 |
| -5.0 | 3.92 | 2.20 | 4.43 | 2.51 | 4.67 | 2.89 | 5.00 | 3.25 | 5.35 | 3.55 | 5.51 | 4.07 |
| 0.0 | 3.92 | 2.20 | 4.43 | 2.51 | 4.67 | 2.89 | 5.00 | 3.25 | 5.35 | 3.55 | 5.51 | 4.07 |
| 5.0 | 3.92 | 2.20 | 4.43 | 2.51 | 4.67 | 2.89 | 5.00 | 3.25 | 5.35 | 3.55 | 5.51 | 4.07 |
| 10.0 | 3.92 | 2.20 | 4.43 | 2.51 | 4.67 | 2.89 | 5.00 | 3.25 | 5.35 | 3.55 | 5.51 | 4.07 |
| 15.0 | 3.92 | 2.20 | 4.43 | 2.51 | 4.67 | 2.89 | 5.00 | 3.25 | 5.35 | 3.55 | 5.51 | 4.07 |
| 20.0 | 3.92 | 2.20 | 4.43 | 2.51 | 4.67 | 2.89 | 5.00 | 3.25 | 5.35 | 3.55 | 5.51 | 4.07 |
| 25.0 | 3.92 | 2.20 | 4.43 | 2.51 | 4.67 | 2.89 | 5.00 | 3.25 | 5.35 | 3.55 | 5.51 | 4.07 |
| 30.0 | 3.92 | 2.20 | 4.43 | 2.51 | 4.67 | 2.89 | 5.00 | 3.25 | 5.35 | 3.55 | 5.51 | 4.07 |
| 35.0 | 3.92 | 2.20 | 4.43 | 2.51 | 4.67 | 2.89 | 5.00 | 3.25 | 5.35 | 3.55 | 5.51 | 4.07 |
| 40.0 | 3.24 | 1.51 | 3.67 | 1.72 | 3.87 | 1.98 | 4.14 | 2.23 | 4.42 | 2.43 | 4.56 | 2.79 |
| 46.0 | 2.57 | 0.95 | 2.90 | 1.08 | 3.06 | 1.24 | 3.28 | 1.40 | 3.50 | 1.53 | 3.61 | 1.75 |

NOTES:

- TC: Total Capacity (kW), SHC: Sensible Heat Capacity (kW)
- Values mentioned in the table are based on the following conditions:
 - Pipe length: 5 m, Height difference: 0 m (Outdoor unit—Indoor unit)

● Ceiling type

Model: ABYG18KRTA

| Outdoor temperature | Indoor temperature (°CDB / °CWB) | | | | | | | | | | | |
|---------------------|----------------------------------|------|-------------|------|-------------|------|-------------|------|-------------|------|-------------|------|
| | 18.0 / 12.0 | | 21.0 / 15.0 | | 23.0 / 16.0 | | 27.0 / 19.0 | | 29.0 / 21.0 | | 32.0 / 23.0 | |
| (°CDB) | TC | SHC | TC | SHC | TC | SHC | TC | SHC | TC | SHC | TC | SHC |
| -10.0 | 4.75 | 2.96 | 5.37 | 3.37 | 5.66 | 3.88 | 6.06 | 4.36 | 6.48 | 4.77 | 6.68 | 5.47 |
| -5.0 | 4.75 | 2.96 | 5.37 | 3.37 | 5.66 | 3.88 | 6.06 | 4.36 | 6.48 | 4.77 | 6.68 | 5.47 |
| 0.0 | 4.75 | 2.96 | 5.37 | 3.37 | 5.66 | 3.88 | 6.06 | 4.36 | 6.48 | 4.77 | 6.68 | 5.47 |
| 5.0 | 4.75 | 2.96 | 5.37 | 3.37 | 5.66 | 3.88 | 6.06 | 4.36 | 6.48 | 4.77 | 6.68 | 5.47 |
| 10.0 | 4.75 | 2.96 | 5.37 | 3.37 | 5.66 | 3.88 | 6.06 | 4.36 | 6.48 | 4.77 | 6.68 | 5.47 |
| 15.0 | 4.75 | 2.96 | 5.37 | 3.37 | 5.66 | 3.88 | 6.06 | 4.36 | 6.48 | 4.77 | 6.68 | 5.47 |
| 20.0 | 4.75 | 2.96 | 5.37 | 3.37 | 5.66 | 3.88 | 6.06 | 4.36 | 6.48 | 4.77 | 6.68 | 5.47 |
| 25.0 | 4.75 | 2.96 | 5.37 | 3.37 | 5.66 | 3.88 | 6.06 | 4.36 | 6.48 | 4.77 | 6.68 | 5.47 |
| 30.0 | 4.75 | 2.96 | 5.37 | 3.37 | 5.66 | 3.88 | 6.06 | 4.36 | 6.48 | 4.77 | 6.68 | 5.47 |
| 35.0 | 4.75 | 2.96 | 5.37 | 3.37 | 5.66 | 3.88 | 6.06 | 4.36 | 6.48 | 4.77 | 6.68 | 5.47 |
| 40.0 | 3.93 | 2.03 | 4.44 | 2.31 | 4.68 | 2.66 | 5.02 | 2.99 | 5.36 | 3.27 | 5.53 | 3.75 |
| 46.0 | 3.11 | 1.27 | 3.52 | 1.45 | 3.71 | 1.67 | 3.97 | 1.87 | 4.25 | 2.05 | 4.38 | 2.35 |

OUTDOOR UNIT
AOYG30KETA4OUTDOOR UNIT
AOYG30KETA4

Model: ABYG22KRTA

| Outdoor temperature | Indoor temperature (°CDB / °CWB) | | | | | | | | | | | |
|---------------------|----------------------------------|------|-------------|------|-------------|------|-------------|------|-------------|------|-------------|------|
| | 18.0 / 12.0 | | 21.0 / 15.0 | | 23.0 / 16.0 | | 27.0 / 19.0 | | 29.0 / 21.0 | | 32.0 / 23.0 | |
| (°CDB) | TC | SHC | TC | SHC | TC | SHC | TC | SHC | TC | SHC | TC | SHC |
| -10.0 | 6.01 | 3.73 | 6.79 | 4.25 | 7.15 | 4.90 | 7.66 | 5.50 | 8.19 | 6.02 | 8.44 | 6.90 |
| -5.0 | 6.01 | 3.73 | 6.79 | 4.25 | 7.15 | 4.90 | 7.66 | 5.50 | 8.19 | 6.02 | 8.44 | 6.90 |
| 0.0 | 6.01 | 3.73 | 6.79 | 4.25 | 7.15 | 4.90 | 7.66 | 5.50 | 8.19 | 6.02 | 8.44 | 6.90 |
| 5.0 | 6.01 | 3.73 | 6.79 | 4.25 | 7.15 | 4.90 | 7.66 | 5.50 | 8.19 | 6.02 | 8.44 | 6.90 |
| 10.0 | 6.01 | 3.73 | 6.79 | 4.25 | 7.15 | 4.90 | 7.66 | 5.50 | 8.19 | 6.02 | 8.44 | 6.90 |
| 15.0 | 6.01 | 3.73 | 6.79 | 4.25 | 7.15 | 4.90 | 7.66 | 5.50 | 8.19 | 6.02 | 8.44 | 6.90 |
| 20.0 | 6.01 | 3.73 | 6.79 | 4.25 | 7.15 | 4.90 | 7.66 | 5.50 | 8.19 | 6.02 | 8.44 | 6.90 |
| 25.0 | 6.01 | 3.73 | 6.79 | 4.25 | 7.15 | 4.90 | 7.66 | 5.50 | 8.19 | 6.02 | 8.44 | 6.90 |
| 30.0 | 6.01 | 3.73 | 6.79 | 4.25 | 7.15 | 4.90 | 7.66 | 5.50 | 8.19 | 6.02 | 8.44 | 6.90 |
| 35.0 | 6.01 | 3.73 | 6.79 | 4.25 | 7.15 | 4.90 | 7.66 | 5.50 | 8.19 | 6.02 | 8.44 | 6.90 |
| 40.0 | 4.97 | 2.56 | 5.62 | 2.91 | 5.92 | 3.35 | 6.34 | 3.77 | 6.78 | 4.12 | 6.99 | 4.72 |
| 46.0 | 3.94 | 1.60 | 4.45 | 1.83 | 4.69 | 2.10 | 5.02 | 2.36 | 5.37 | 2.58 | 5.53 | 2.96 |

NOTES:

- TC: Total Capacity (kW), SHC: Sensible Heat Capacity (kW)
- Values mentioned in the table are based on the following conditions:
 - Pipe length: 5 m, Height difference: 0 m (Outdoor unit—Indoor unit)

● Floor type

Model: AGYG09KVCA

| Outdoor temperature | Indoor temperature (°CDB / °CWB) | | | | | | | | | | | |
|---------------------|----------------------------------|------|-------------|------|-------------|------|-------------|------|-------------|------|-------------|------|
| | 18.0 / 12.0 | | 21.0 / 15.0 | | 23.0 / 16.0 | | 27.0 / 19.0 | | 29.0 / 21.0 | | 32.0 / 23.0 | |
| (°CDB) | TC | SHC | TC | SHC | TC | SHC | TC | SHC | TC | SHC | TC | SHC |
| -10.0 | 2.51 | 1.71 | 2.84 | 1.95 | 2.99 | 2.25 | 3.20 | 2.53 | 3.42 | 2.76 | 3.53 | 3.17 |
| -5.0 | 2.51 | 1.71 | 2.84 | 1.95 | 2.99 | 2.25 | 3.20 | 2.53 | 3.42 | 2.76 | 3.53 | 3.17 |
| 0.0 | 2.51 | 1.71 | 2.84 | 1.95 | 2.99 | 2.25 | 3.20 | 2.53 | 3.42 | 2.76 | 3.53 | 3.17 |
| 5.0 | 2.51 | 1.71 | 2.84 | 1.95 | 2.99 | 2.25 | 3.20 | 2.53 | 3.42 | 2.76 | 3.53 | 3.17 |
| 10.0 | 2.51 | 1.71 | 2.84 | 1.95 | 2.99 | 2.25 | 3.20 | 2.53 | 3.42 | 2.76 | 3.53 | 3.17 |
| 15.0 | 2.51 | 1.71 | 2.84 | 1.95 | 2.99 | 2.25 | 3.20 | 2.53 | 3.42 | 2.76 | 3.53 | 3.17 |
| 20.0 | 2.51 | 1.71 | 2.84 | 1.95 | 2.99 | 2.25 | 3.20 | 2.53 | 3.42 | 2.76 | 3.53 | 3.17 |
| 25.0 | 2.51 | 1.71 | 2.84 | 1.95 | 2.99 | 2.25 | 3.20 | 2.53 | 3.42 | 2.76 | 3.53 | 3.17 |
| 30.0 | 2.51 | 1.71 | 2.84 | 1.95 | 2.99 | 2.25 | 3.20 | 2.53 | 3.42 | 2.76 | 3.53 | 3.17 |
| 35.0 | 2.51 | 1.71 | 2.84 | 1.95 | 2.99 | 2.25 | 3.20 | 2.53 | 3.42 | 2.76 | 3.53 | 3.17 |
| 40.0 | 2.08 | 1.17 | 2.35 | 1.34 | 2.47 | 1.54 | 2.65 | 1.73 | 2.83 | 1.89 | 2.92 | 2.17 |
| 46.0 | 1.64 | 0.74 | 1.86 | 0.84 | 1.96 | 0.97 | 2.10 | 1.09 | 2.24 | 1.19 | 2.31 | 1.36 |

OUTDOOR UNIT
AOYG30KBTA4OUTDOOR UNIT
AOYG30KBTA4

Model: AGYG12KVCA

| Outdoor temperature | Indoor temperature (°CDB / °CWB) | | | | | | | | | | | |
|---------------------|----------------------------------|------|-------------|------|-------------|------|-------------|------|-------------|------|-------------|------|
| | 18.0 / 12.0 | | 21.0 / 15.0 | | 23.0 / 16.0 | | 27.0 / 19.0 | | 29.0 / 21.0 | | 32.0 / 23.0 | |
| (°CDB) | TC | SHC | TC | SHC | TC | SHC | TC | SHC | TC | SHC | TC | SHC |
| -10.0 | 3.37 | 2.16 | 3.81 | 2.46 | 4.02 | 2.83 | 4.30 | 3.18 | 4.60 | 3.48 | 4.74 | 3.99 |
| -5.0 | 3.37 | 2.16 | 3.81 | 2.46 | 4.02 | 2.83 | 4.30 | 3.18 | 4.60 | 3.48 | 4.74 | 3.99 |
| 0.0 | 3.37 | 2.16 | 3.81 | 2.46 | 4.02 | 2.83 | 4.30 | 3.18 | 4.60 | 3.48 | 4.74 | 3.99 |
| 5.0 | 3.37 | 2.16 | 3.81 | 2.46 | 4.02 | 2.83 | 4.30 | 3.18 | 4.60 | 3.48 | 4.74 | 3.99 |
| 10.0 | 3.37 | 2.16 | 3.81 | 2.46 | 4.02 | 2.83 | 4.30 | 3.18 | 4.60 | 3.48 | 4.74 | 3.99 |
| 15.0 | 3.37 | 2.16 | 3.81 | 2.46 | 4.02 | 2.83 | 4.30 | 3.18 | 4.60 | 3.48 | 4.74 | 3.99 |
| 20.0 | 3.37 | 2.16 | 3.81 | 2.46 | 4.02 | 2.83 | 4.30 | 3.18 | 4.60 | 3.48 | 4.74 | 3.99 |
| 25.0 | 3.37 | 2.16 | 3.81 | 2.46 | 4.02 | 2.83 | 4.30 | 3.18 | 4.60 | 3.48 | 4.74 | 3.99 |
| 30.0 | 3.37 | 2.16 | 3.81 | 2.46 | 4.02 | 2.83 | 4.30 | 3.18 | 4.60 | 3.48 | 4.74 | 3.99 |
| 35.0 | 3.37 | 2.16 | 3.81 | 2.46 | 4.02 | 2.83 | 4.30 | 3.18 | 4.60 | 3.48 | 4.74 | 3.99 |
| 40.0 | 2.79 | 1.48 | 3.15 | 1.69 | 3.32 | 1.94 | 3.56 | 2.18 | 3.80 | 2.38 | 3.92 | 2.73 |
| 46.0 | 2.21 | 0.93 | 2.50 | 1.06 | 2.63 | 1.22 | 2.82 | 1.37 | 3.01 | 1.49 | 3.11 | 1.71 |

Model: AGYG14KVCA

| Outdoor temperature | Indoor temperature (°CDB / °CWB) | | | | | | | | | | | |
|---------------------|----------------------------------|------|-------------|------|-------------|------|-------------|------|-------------|------|-------------|------|
| | 18.0 / 12.0 | | 21.0 / 15.0 | | 23.0 / 16.0 | | 27.0 / 19.0 | | 29.0 / 21.0 | | 32.0 / 23.0 | |
| (°CDB) | TC | SHC | TC | SHC | TC | SHC | TC | SHC | TC | SHC | TC | SHC |
| -10.0 | 3.92 | 2.44 | 4.43 | 2.78 | 4.67 | 3.20 | 5.00 | 3.60 | 5.35 | 3.94 | 5.51 | 4.51 |
| -5.0 | 3.92 | 2.44 | 4.43 | 2.78 | 4.67 | 3.20 | 5.00 | 3.60 | 5.35 | 3.94 | 5.51 | 4.51 |
| 0.0 | 3.92 | 2.44 | 4.43 | 2.78 | 4.67 | 3.20 | 5.00 | 3.60 | 5.35 | 3.94 | 5.51 | 4.51 |
| 5.0 | 3.92 | 2.44 | 4.43 | 2.78 | 4.67 | 3.20 | 5.00 | 3.60 | 5.35 | 3.94 | 5.51 | 4.51 |
| 10.0 | 3.92 | 2.44 | 4.43 | 2.78 | 4.67 | 3.20 | 5.00 | 3.60 | 5.35 | 3.94 | 5.51 | 4.51 |
| 15.0 | 3.92 | 2.44 | 4.43 | 2.78 | 4.67 | 3.20 | 5.00 | 3.60 | 5.35 | 3.94 | 5.51 | 4.51 |
| 20.0 | 3.92 | 2.44 | 4.43 | 2.78 | 4.67 | 3.20 | 5.00 | 3.60 | 5.35 | 3.94 | 5.51 | 4.51 |
| 25.0 | 3.92 | 2.44 | 4.43 | 2.78 | 4.67 | 3.20 | 5.00 | 3.60 | 5.35 | 3.94 | 5.51 | 4.51 |
| 30.0 | 3.92 | 2.44 | 4.43 | 2.78 | 4.67 | 3.20 | 5.00 | 3.60 | 5.35 | 3.94 | 5.51 | 4.51 |
| 35.0 | 3.92 | 2.44 | 4.43 | 2.78 | 4.67 | 3.20 | 5.00 | 3.60 | 5.35 | 3.94 | 5.51 | 4.51 |
| 40.0 | 3.24 | 1.67 | 3.67 | 1.91 | 3.87 | 2.19 | 4.14 | 2.47 | 4.42 | 2.70 | 4.56 | 3.09 |
| 46.0 | 2.57 | 1.05 | 2.90 | 1.20 | 3.06 | 1.38 | 3.28 | 1.55 | 3.50 | 1.69 | 3.61 | 1.94 |

NOTES:

- TC: Total Capacity (kW), SHC: Sensible Heat Capacity (kW)
- Values mentioned in the table are based on the following conditions:
 - Pipe length: 5 m, Height difference: 0 m (Outdoor unit—Indoor unit)

6-3. Heating capacity

NOTE: Values mentioned in the table are calculated based on the maximum capacity.

Model: AOYG30KBTA4

| Indoor unit connecting capacity | Outdoor temperature | | Indoor temperature | | | | | | | | | |
|---------------------------------|---------------------|-------|--------------------|------|-----------|------|-----------|------|-----------|------|-----------|------|
| | | | 16.0 °CDB | | 18.0 °CDB | | 20.0 °CDB | | 22.0 °CDB | | 24.0 °CDB | |
| kBtu/h | °CDB | °CWB | TC | IP | TC | IP | TC | IP | TC | IP | TC | IP |
| 49 | -15.0 | -16.0 | 6.1 | 2.96 | 6.0 | 3.02 | 5.9 | 3.08 | 5.7 | 3.14 | 5.6 | 3.20 |
| | -10.0 | -11.0 | 7.6 | 3.24 | 7.5 | 3.31 | 7.3 | 3.38 | 7.1 | 3.45 | 6.9 | 3.51 |
| | -5.0 | -7.0 | 9.1 | 3.13 | 8.9 | 3.20 | 8.7 | 3.26 | 8.4 | 3.33 | 8.2 | 3.39 |
| | 0.0 | -2.0 | 10.7 | 3.35 | 10.4 | 3.42 | 10.2 | 3.49 | 9.9 | 3.56 | 9.7 | 3.63 |
| | 5.0 | 3.0 | 11.8 | 3.21 | 11.5 | 3.27 | 11.2 | 3.34 | 10.9 | 3.41 | 10.6 | 3.47 |
| | 7.0 | 6.0 | 11.8 | 2.91 | 11.5 | 2.97 | 11.2 | 3.03 | 10.9 | 3.09 | 10.6 | 3.15 |
| | 10.0 | 8.0 | 11.8 | 2.80 | 11.5 | 2.86 | 11.2 | 2.92 | 10.9 | 2.98 | 10.6 | 3.04 |
| | 15.0 | 10.0 | 11.8 | 2.44 | 11.5 | 2.50 | 11.2 | 2.55 | 10.9 | 2.60 | 10.6 | 2.65 |
| | 20.0 | 15.0 | 11.8 | 2.06 | 11.5 | 2.10 | 11.2 | 2.14 | 10.9 | 2.19 | 10.6 | 2.23 |
| 24.0 | 18.0 | 11.8 | 1.87 | 11.5 | 1.91 | 11.2 | 1.94 | 10.9 | 1.98 | 10.6 | 2.02 | |
| 48 | -15.0 | -16.0 | 6.1 | 2.96 | 6.0 | 3.02 | 5.9 | 3.08 | 5.7 | 3.14 | 5.6 | 3.20 |
| | -10.0 | -11.0 | 7.6 | 3.24 | 7.5 | 3.31 | 7.3 | 3.38 | 7.1 | 3.45 | 6.9 | 3.51 |
| | -5.0 | -7.0 | 9.1 | 3.13 | 8.9 | 3.20 | 8.7 | 3.26 | 8.4 | 3.33 | 8.2 | 3.39 |
| | 0.0 | -2.0 | 10.7 | 3.35 | 10.4 | 3.42 | 10.2 | 3.49 | 9.9 | 3.56 | 9.7 | 3.63 |
| | 5.0 | 3.0 | 11.8 | 3.21 | 11.5 | 3.27 | 11.2 | 3.34 | 10.9 | 3.41 | 10.6 | 3.47 |
| | 7.0 | 6.0 | 11.8 | 2.91 | 11.5 | 2.97 | 11.2 | 3.03 | 10.9 | 3.09 | 10.6 | 3.15 |
| | 10.0 | 8.0 | 11.8 | 2.80 | 11.5 | 2.86 | 11.2 | 2.92 | 10.9 | 2.98 | 10.6 | 3.04 |
| | 15.0 | 10.0 | 11.8 | 2.44 | 11.5 | 2.50 | 11.2 | 2.55 | 10.9 | 2.60 | 10.6 | 2.65 |
| | 20.0 | 15.0 | 11.8 | 2.06 | 11.5 | 2.10 | 11.2 | 2.14 | 10.9 | 2.19 | 10.6 | 2.23 |
| 24.0 | 18.0 | 11.8 | 1.87 | 11.5 | 1.91 | 11.2 | 1.94 | 10.9 | 1.98 | 10.6 | 2.02 | |
| 47 | -15.0 | -16.0 | 6.1 | 2.96 | 6.0 | 3.02 | 5.9 | 3.08 | 5.7 | 3.14 | 5.6 | 3.20 |
| | -10.0 | -11.0 | 7.6 | 3.24 | 7.5 | 3.31 | 7.3 | 3.38 | 7.1 | 3.45 | 6.9 | 3.51 |
| | -5.0 | -7.0 | 9.1 | 3.13 | 8.9 | 3.20 | 8.7 | 3.26 | 8.4 | 3.33 | 8.2 | 3.39 |
| | 0.0 | -2.0 | 10.7 | 3.35 | 10.4 | 3.42 | 10.2 | 3.49 | 9.9 | 3.56 | 9.7 | 3.63 |
| | 5.0 | 3.0 | 11.8 | 3.21 | 11.5 | 3.27 | 11.2 | 3.34 | 10.9 | 3.41 | 10.6 | 3.47 |
| | 7.0 | 6.0 | 11.8 | 2.91 | 11.5 | 2.97 | 11.2 | 3.03 | 10.9 | 3.09 | 10.6 | 3.15 |
| | 10.0 | 8.0 | 11.8 | 2.80 | 11.5 | 2.86 | 11.2 | 2.92 | 10.9 | 2.98 | 10.6 | 3.04 |
| | 15.0 | 10.0 | 11.8 | 2.44 | 11.5 | 2.50 | 11.2 | 2.55 | 10.9 | 2.60 | 10.6 | 2.65 |
| | 20.0 | 15.0 | 11.8 | 2.06 | 11.5 | 2.10 | 11.2 | 2.14 | 10.9 | 2.19 | 10.6 | 2.23 |
| 24.0 | 18.0 | 11.8 | 1.87 | 11.5 | 1.91 | 11.2 | 1.94 | 10.9 | 1.98 | 10.6 | 2.02 | |
| 46 | -15.0 | -16.0 | 6.1 | 2.96 | 6.0 | 3.02 | 5.9 | 3.08 | 5.7 | 3.14 | 5.6 | 3.20 |
| | -10.0 | -11.0 | 7.6 | 3.24 | 7.5 | 3.31 | 7.3 | 3.38 | 7.1 | 3.45 | 6.9 | 3.51 |
| | -5.0 | -7.0 | 9.1 | 3.13 | 8.9 | 3.20 | 8.7 | 3.26 | 8.4 | 3.33 | 8.2 | 3.39 |
| | 0.0 | -2.0 | 10.7 | 3.35 | 10.4 | 3.42 | 10.2 | 3.49 | 9.9 | 3.56 | 9.7 | 3.63 |
| | 5.0 | 3.0 | 11.8 | 3.21 | 11.5 | 3.27 | 11.2 | 3.34 | 10.9 | 3.41 | 10.6 | 3.47 |
| | 7.0 | 6.0 | 11.8 | 2.91 | 11.5 | 2.97 | 11.2 | 3.03 | 10.9 | 3.09 | 10.6 | 3.15 |
| | 10.0 | 8.0 | 11.8 | 2.80 | 11.5 | 2.86 | 11.2 | 2.92 | 10.9 | 2.98 | 10.6 | 3.04 |
| | 15.0 | 10.0 | 11.8 | 2.44 | 11.5 | 2.50 | 11.2 | 2.55 | 10.9 | 2.60 | 10.6 | 2.65 |
| | 20.0 | 15.0 | 11.8 | 2.06 | 11.5 | 2.10 | 11.2 | 2.14 | 10.9 | 2.19 | 10.6 | 2.23 |
| 24.0 | 18.0 | 11.8 | 1.87 | 11.5 | 1.91 | 11.2 | 1.94 | 10.9 | 1.98 | 10.6 | 2.02 | |
| 45 | -15.0 | -16.0 | 6.1 | 2.96 | 6.0 | 3.02 | 5.9 | 3.08 | 5.7 | 3.14 | 5.6 | 3.20 |
| | -10.0 | -11.0 | 7.6 | 3.24 | 7.5 | 3.31 | 7.3 | 3.38 | 7.1 | 3.45 | 6.9 | 3.51 |
| | -5.0 | -7.0 | 9.1 | 3.13 | 8.9 | 3.20 | 8.7 | 3.26 | 8.4 | 3.33 | 8.2 | 3.39 |
| | 0.0 | -2.0 | 10.7 | 3.35 | 10.4 | 3.42 | 10.2 | 3.49 | 9.9 | 3.56 | 9.7 | 3.63 |
| | 5.0 | 3.0 | 11.8 | 3.21 | 11.5 | 3.27 | 11.2 | 3.34 | 10.9 | 3.41 | 10.6 | 3.47 |
| | 7.0 | 6.0 | 11.8 | 2.91 | 11.5 | 2.97 | 11.2 | 3.03 | 10.9 | 3.09 | 10.6 | 3.15 |
| | 10.0 | 8.0 | 11.8 | 2.80 | 11.5 | 2.86 | 11.2 | 2.92 | 10.9 | 2.98 | 10.6 | 3.04 |
| | 15.0 | 10.0 | 11.8 | 2.44 | 11.5 | 2.50 | 11.2 | 2.55 | 10.9 | 2.60 | 10.6 | 2.65 |
| | 20.0 | 15.0 | 11.8 | 2.06 | 11.5 | 2.10 | 11.2 | 2.14 | 10.9 | 2.19 | 10.6 | 2.23 |
| 24.0 | 18.0 | 11.8 | 1.87 | 11.5 | 1.91 | 11.2 | 1.94 | 10.9 | 1.98 | 10.6 | 2.02 | |
| 44 | -15.0 | -16.0 | 6.1 | 2.96 | 6.0 | 3.02 | 5.9 | 3.08 | 5.7 | 3.14 | 5.6 | 3.20 |
| | -10.0 | -11.0 | 7.6 | 3.24 | 7.5 | 3.31 | 7.3 | 3.38 | 7.1 | 3.45 | 6.9 | 3.51 |
| | -5.0 | -7.0 | 9.1 | 3.13 | 8.9 | 3.20 | 8.7 | 3.26 | 8.4 | 3.33 | 8.2 | 3.39 |
| | 0.0 | -2.0 | 10.7 | 3.35 | 10.4 | 3.42 | 10.2 | 3.49 | 9.9 | 3.56 | 9.7 | 3.63 |
| | 5.0 | 3.0 | 11.8 | 3.21 | 11.5 | 3.27 | 11.2 | 3.34 | 10.9 | 3.41 | 10.6 | 3.47 |
| | 7.0 | 6.0 | 11.8 | 2.91 | 11.5 | 2.97 | 11.2 | 3.03 | 10.9 | 3.09 | 10.6 | 3.15 |
| | 10.0 | 8.0 | 11.8 | 2.80 | 11.5 | 2.86 | 11.2 | 2.92 | 10.9 | 2.98 | 10.6 | 3.04 |
| | 15.0 | 10.0 | 11.8 | 2.44 | 11.5 | 2.50 | 11.2 | 2.55 | 10.9 | 2.60 | 10.6 | 2.65 |
| | 20.0 | 15.0 | 11.8 | 2.06 | 11.5 | 2.10 | 11.2 | 2.14 | 10.9 | 2.19 | 10.6 | 2.23 |
| 24.0 | 18.0 | 11.8 | 1.87 | 11.5 | 1.91 | 11.2 | 1.94 | 10.9 | 1.98 | 10.6 | 2.02 | |
| 43 | -15.0 | -16.0 | 6.1 | 2.96 | 6.0 | 3.02 | 5.9 | 3.08 | 5.7 | 3.14 | 5.6 | 3.20 |
| | -10.0 | -11.0 | 7.6 | 3.24 | 7.5 | 3.31 | 7.3 | 3.38 | 7.1 | 3.45 | 6.9 | 3.51 |
| | -5.0 | -7.0 | 9.1 | 3.13 | 8.9 | 3.20 | 8.7 | 3.26 | 8.4 | 3.33 | 8.2 | 3.39 |
| | 0.0 | -2.0 | 10.7 | 3.35 | 10.4 | 3.42 | 10.2 | 3.49 | 9.9 | 3.56 | 9.7 | 3.63 |
| | 5.0 | 3.0 | 11.8 | 3.21 | 11.5 | 3.27 | 11.2 | 3.34 | 10.9 | 3.41 | 10.6 | 3.47 |
| | 7.0 | 6.0 | 11.8 | 2.91 | 11.5 | 2.97 | 11.2 | 3.03 | 10.9 | 3.09 | 10.6 | 3.15 |
| | 10.0 | 8.0 | 11.8 | 2.80 | 11.5 | 2.86 | 11.2 | 2.92 | 10.9 | 2.98 | 10.6 | 3.04 |
| | 15.0 | 10.0 | 11.8 | 2.44 | 11.5 | 2.50 | 11.2 | 2.55 | 10.9 | 2.60 | 10.6 | 2.65 |
| | 20.0 | 15.0 | 11.8 | 2.06 | 11.5 | 2.10 | 11.2 | 2.14 | 10.9 | 2.19 | 10.6 | 2.23 |
| 24.0 | 18.0 | 11.8 | 1.87 | 11.5 | 1.91 | 11.2 | 1.94 | 10.9 | 1.98 | 10.6 | 2.02 | |
| 42 | -15.0 | -16.0 | 6.1 | 2.96 | 6.0 | 3.02 | 5.9 | 3.08 | 5.7 | 3.14 | 5.6 | 3.20 |
| | -10.0 | -11.0 | 7.6 | 3.24 | 7.5 | 3.31 | 7.3 | 3.38 | 7.1 | 3.45 | 6.9 | 3.51 |
| | -5.0 | -7.0 | 9.1 | 3.13 | 8.9 | 3.20 | 8.7 | 3.26 | 8.4 | 3.33 | 8.2 | 3.39 |
| | 0.0 | -2.0 | 10.7 | 3.35 | 10.4 | 3.42 | 10.2 | 3.49 | 9.9 | 3.56 | 9.7 | 3.63 |
| | 5.0 | 3.0 | 11.8 | 3.21 | 11.5 | 3.27 | 11.2 | 3.34 | 10.9 | 3.41 | 10.6 | 3.47 |
| | 7.0 | 6.0 | 11.8 | 2.91 | 11.5 | 2.97 | 11.2 | 3.03 | 10.9 | 3.09 | 10.6 | 3.15 |
| | 10.0 | 8.0 | 11.8 | 2.80 | 11.5 | 2.86 | 11.2 | 2.92 | 10.9 | 2.98 | 10.6 | 3.04 |
| | 15.0 | 10.0 | 11.8 | 2.44 | 11.5 | 2.50 | 11.2 | 2.55 | 10.9 | 2.60 | 10.6 | 2.65 |
| | 20.0 | 15.0 | 11.8 | 2.06 | 11.5 | 2.10 | 11.2 | 2.14 | 10.9 | 2.19 | 10.6 | 2.23 |
| 24.0 | 18.0 | 11.8 | 1.87 | 11.5 | 1.91 | 11.2 | 1.94 | 10.9 | 1.98 | 10.6 | 2.02 | |

| Indoor unit connecting capacity | Outdoor temperature | | Indoor temperature | | | | | | | | | |
|---------------------------------|---------------------|-------|--------------------|------|-----------|------|-----------|------|-----------|------|-----------|------|
| | | | 16.0 °CDB | | 18.0 °CDB | | 20.0 °CDB | | 22.0 °CDB | | 24.0 °CDB | |
| | kBtu/h | °CDB | °CWB | TC | IP | TC | IP | TC | IP | TC | IP | TC |
| 32 | -15.0 | -16.0 | 6.1 | 2.96 | 6.0 | 3.02 | 5.9 | 3.08 | 5.7 | 3.14 | 5.6 | 3.20 |
| | -10.0 | -11.0 | 7.6 | 3.24 | 7.5 | 3.31 | 7.3 | 3.38 | 7.1 | 3.45 | 6.9 | 3.51 |
| | -5.0 | -7.0 | 9.1 | 3.13 | 8.9 | 3.20 | 8.7 | 3.26 | 8.4 | 3.33 | 8.2 | 3.39 |
| | 0.0 | -2.0 | 10.7 | 3.35 | 10.4 | 3.42 | 10.2 | 3.49 | 9.9 | 3.56 | 9.7 | 3.63 |
| | 5.0 | 3.0 | 11.8 | 3.21 | 11.5 | 3.27 | 11.2 | 3.34 | 10.9 | 3.41 | 10.6 | 3.47 |
| | 7.0 | 6.0 | 11.8 | 2.91 | 11.5 | 2.97 | 11.2 | 3.03 | 10.9 | 3.09 | 10.6 | 3.15 |
| | 10.0 | 8.0 | 11.8 | 2.80 | 11.5 | 2.86 | 11.2 | 2.92 | 10.9 | 2.98 | 10.6 | 3.04 |
| | 15.0 | 10.0 | 11.8 | 2.44 | 11.5 | 2.50 | 11.2 | 2.55 | 10.9 | 2.60 | 10.6 | 2.65 |
| | 20.0 | 15.0 | 11.8 | 2.06 | 11.5 | 2.10 | 11.2 | 2.14 | 10.9 | 2.19 | 10.6 | 2.23 |
| 24.0 | 18.0 | 11.8 | 1.87 | 11.5 | 1.91 | 11.2 | 1.94 | 10.9 | 1.98 | 10.6 | 2.02 | |
| 31 | -15.0 | -16.0 | 6.1 | 2.96 | 6.0 | 3.02 | 5.9 | 3.08 | 5.7 | 3.14 | 5.6 | 3.20 |
| | -10.0 | -11.0 | 7.6 | 3.24 | 7.5 | 3.31 | 7.3 | 3.38 | 7.1 | 3.45 | 6.9 | 3.51 |
| | -5.0 | -7.0 | 9.1 | 3.13 | 8.9 | 3.20 | 8.7 | 3.26 | 8.4 | 3.33 | 8.2 | 3.39 |
| | 0.0 | -2.0 | 10.7 | 3.35 | 10.4 | 3.42 | 10.2 | 3.49 | 9.9 | 3.56 | 9.7 | 3.63 |
| | 5.0 | 3.0 | 11.8 | 3.21 | 11.5 | 3.27 | 11.2 | 3.34 | 10.9 | 3.41 | 10.6 | 3.47 |
| | 7.0 | 6.0 | 11.8 | 2.91 | 11.5 | 2.97 | 11.2 | 3.03 | 10.9 | 3.09 | 10.6 | 3.15 |
| | 10.0 | 8.0 | 11.8 | 2.80 | 11.5 | 2.86 | 11.2 | 2.92 | 10.9 | 2.98 | 10.6 | 3.04 |
| | 15.0 | 10.0 | 11.8 | 2.44 | 11.5 | 2.50 | 11.2 | 2.55 | 10.9 | 2.60 | 10.6 | 2.65 |
| | 20.0 | 15.0 | 11.8 | 2.06 | 11.5 | 2.10 | 11.2 | 2.14 | 10.9 | 2.19 | 10.6 | 2.23 |
| 24.0 | 18.0 | 11.8 | 1.87 | 11.5 | 1.91 | 11.2 | 1.94 | 10.9 | 1.98 | 10.6 | 2.02 | |
| 30 | -15.0 | -16.0 | 6.1 | 2.96 | 6.0 | 3.02 | 5.9 | 3.08 | 5.7 | 3.14 | 5.6 | 3.20 |
| | -10.0 | -11.0 | 7.6 | 3.24 | 7.5 | 3.31 | 7.3 | 3.38 | 7.1 | 3.45 | 6.9 | 3.51 |
| | -5.0 | -7.0 | 9.1 | 3.13 | 8.9 | 3.20 | 8.7 | 3.26 | 8.4 | 3.33 | 8.2 | 3.39 |
| | 0.0 | -2.0 | 10.7 | 3.35 | 10.4 | 3.42 | 10.2 | 3.49 | 9.9 | 3.56 | 9.7 | 3.63 |
| | 5.0 | 3.0 | 11.8 | 3.21 | 11.5 | 3.27 | 11.2 | 3.34 | 10.9 | 3.41 | 10.6 | 3.47 |
| | 7.0 | 6.0 | 11.8 | 2.91 | 11.5 | 2.97 | 11.2 | 3.03 | 10.9 | 3.09 | 10.6 | 3.15 |
| | 10.0 | 8.0 | 11.8 | 2.80 | 11.5 | 2.86 | 11.2 | 2.92 | 10.9 | 2.98 | 10.6 | 3.04 |
| | 15.0 | 10.0 | 11.8 | 2.44 | 11.5 | 2.50 | 11.2 | 2.55 | 10.9 | 2.60 | 10.6 | 2.65 |
| | 20.0 | 15.0 | 11.8 | 2.06 | 11.5 | 2.10 | 11.2 | 2.14 | 10.9 | 2.19 | 10.6 | 2.23 |
| 24.0 | 18.0 | 11.8 | 1.87 | 11.5 | 1.91 | 11.2 | 1.94 | 10.9 | 1.98 | 10.6 | 2.02 | |
| 29 | -15.0 | -16.0 | 6.1 | 2.96 | 6.0 | 3.02 | 5.9 | 3.08 | 5.7 | 3.14 | 5.6 | 3.20 |
| | -10.0 | -11.0 | 7.6 | 3.24 | 7.5 | 3.31 | 7.3 | 3.38 | 7.1 | 3.45 | 6.9 | 3.51 |
| | -5.0 | -7.0 | 9.1 | 3.13 | 8.9 | 3.20 | 8.7 | 3.26 | 8.4 | 3.33 | 8.2 | 3.39 |
| | 0.0 | -2.0 | 10.7 | 3.35 | 10.4 | 3.42 | 10.2 | 3.49 | 9.9 | 3.56 | 9.7 | 3.63 |
| | 5.0 | 3.0 | 11.8 | 3.21 | 11.5 | 3.27 | 11.2 | 3.34 | 10.9 | 3.41 | 10.6 | 3.47 |
| | 7.0 | 6.0 | 11.8 | 2.91 | 11.5 | 2.97 | 11.2 | 3.03 | 10.9 | 3.09 | 10.6 | 3.15 |
| | 10.0 | 8.0 | 11.8 | 2.80 | 11.5 | 2.86 | 11.2 | 2.92 | 10.9 | 2.98 | 10.6 | 3.04 |
| | 15.0 | 10.0 | 11.8 | 2.44 | 11.5 | 2.50 | 11.2 | 2.55 | 10.9 | 2.60 | 10.6 | 2.65 |
| | 20.0 | 15.0 | 11.8 | 2.06 | 11.5 | 2.10 | 11.2 | 2.14 | 10.9 | 2.19 | 10.6 | 2.23 |
| 24.0 | 18.0 | 11.8 | 1.87 | 11.5 | 1.91 | 11.2 | 1.94 | 10.9 | 1.98 | 10.6 | 2.02 | |
| 28 | -15.0 | -16.0 | 6.1 | 2.96 | 6.0 | 3.02 | 5.9 | 3.08 | 5.7 | 3.14 | 5.6 | 3.20 |
| | -10.0 | -11.0 | 7.6 | 3.24 | 7.5 | 3.31 | 7.3 | 3.38 | 7.1 | 3.45 | 6.9 | 3.51 |
| | -5.0 | -7.0 | 9.1 | 3.13 | 8.9 | 3.20 | 8.7 | 3.26 | 8.4 | 3.33 | 8.2 | 3.39 |
| | 0.0 | -2.0 | 10.7 | 3.35 | 10.4 | 3.42 | 10.2 | 3.49 | 9.9 | 3.56 | 9.7 | 3.63 |
| | 5.0 | 3.0 | 11.8 | 3.21 | 11.5 | 3.27 | 11.2 | 3.34 | 10.9 | 3.41 | 10.6 | 3.47 |
| | 7.0 | 6.0 | 11.8 | 2.91 | 11.5 | 2.97 | 11.2 | 3.03 | 10.9 | 3.09 | 10.6 | 3.15 |
| | 10.0 | 8.0 | 11.8 | 2.80 | 11.5 | 2.86 | 11.2 | 2.92 | 10.9 | 2.98 | 10.6 | 3.04 |
| | 15.0 | 10.0 | 11.8 | 2.44 | 11.5 | 2.50 | 11.2 | 2.55 | 10.9 | 2.60 | 10.6 | 2.65 |
| | 20.0 | 15.0 | 11.8 | 2.06 | 11.5 | 2.10 | 11.2 | 2.14 | 10.9 | 2.19 | 10.6 | 2.23 |
| 24.0 | 18.0 | 11.8 | 1.87 | 11.5 | 1.91 | 11.2 | 1.94 | 10.9 | 1.98 | 10.6 | 2.02 | |
| 27 | -15.0 | -16.0 | 5.9 | 2.76 | 5.8 | 2.81 | 5.6 | 2.87 | 5.5 | 2.93 | 5.4 | 2.99 |
| | -10.0 | -11.0 | 7.4 | 3.03 | 7.2 | 3.09 | 7.0 | 3.15 | 6.8 | 3.22 | 6.7 | 3.28 |
| | -5.0 | -7.0 | 8.8 | 2.92 | 8.6 | 2.98 | 8.4 | 3.04 | 8.1 | 3.10 | 7.9 | 3.16 |
| | 0.0 | -2.0 | 10.3 | 3.13 | 10.1 | 3.19 | 9.8 | 3.26 | 9.6 | 3.32 | 9.3 | 3.39 |
| | 5.0 | 3.0 | 11.3 | 2.99 | 11.1 | 3.05 | 10.8 | 3.12 | 10.5 | 3.18 | 10.3 | 3.24 |
| | 7.0 | 6.0 | 11.3 | 2.72 | 11.1 | 2.77 | 10.8 | 2.83 | 10.5 | 2.89 | 10.3 | 2.94 |
| | 10.0 | 8.0 | 11.3 | 2.61 | 11.1 | 2.67 | 10.8 | 2.72 | 10.5 | 2.78 | 10.3 | 2.83 |
| | 15.0 | 10.0 | 11.3 | 2.28 | 11.1 | 2.33 | 10.8 | 2.38 | 10.5 | 2.42 | 10.3 | 2.47 |
| | 20.0 | 15.0 | 11.3 | 1.92 | 11.1 | 1.96 | 10.8 | 2.00 | 10.5 | 2.04 | 10.3 | 2.08 |
| 24.0 | 18.0 | 11.3 | 1.74 | 11.1 | 1.78 | 10.8 | 1.81 | 10.5 | 1.85 | 10.3 | 1.89 | |
| 26 | -15.0 | -16.0 | 5.7 | 2.64 | 5.6 | 2.70 | 5.4 | 2.75 | 5.3 | 2.81 | 5.2 | 2.86 |
| | -10.0 | -11.0 | 7.1 | 2.90 | 6.9 | 2.96 | 6.8 | 3.02 | 6.6 | 3.08 | 6.4 | 3.14 |
| | -5.0 | -7.0 | 8.4 | 2.80 | 8.2 | 2.86 | 8.0 | 2.91 | 7.8 | 2.97 | 7.6 | 3.03 |
| | 0.0 | -2.0 | 9.9 | 2.99 | 9.7 | 3.06 | 9.5 | 3.12 | 9.2 | 3.18 | 9.0 | 3.24 |
| | 5.0 | 3.0 | 10.9 | 2.86 | 10.7 | 2.92 | 10.4 | 2.98 | 10.1 | 3.04 | 9.9 | 3.10 |
| | 7.0 | 6.0 | 10.9 | 2.60 | 10.7 | 2.66 | 10.4 | 2.71 | 10.1 | 2.76 | 9.9 | 2.82 |
| | 10.0 | 8.0 | 10.9 | 2.50 | 10.7 | 2.56 | 10.4 | 2.61 | 10.1 | 2.66 | 9.9 | 2.71 |
| | 15.0 | 10.0 | 10.9 | 2.18 | 10.7 | 2.23 | 10.4 | 2.27 | 10.1 | 2.32 | 9.9 | 2.37 |
| | 20.0 | 15.0 | 10.9 | 1.84 | 10.7 | 1.88 | 10.4 | 1.92 | 10.1 | 1.95 | 9.9 | 1.99 |
| 24.0 | 18.0 | 10.9 | 1.67 | 10.7 | 1.70 | 10.4 | 1.74 | 10.1 | 1.77 | 9.9 | 1.81 | |
| 25 | -15.0 | -16.0 | 5.5 | 2.52 | 5.4 | 2.58 | 5.2 | 2.63 | 5.1 | 2.68 | 5.0 | 2.73 |
| | -10.0 | -11.0 | 6.8 | 2.77 | 6.7 | 2.83 | 6.5 | 2.88 | 6.3 | 2.94 | 6.2 | 3.00 |
| | -5.0 | -7.0 | 8.1 | 2.67 | 7.9 | 2.73 | 7.7 | 2.78 | 7.5 | 2.84 | 7.4 | 2.90 |
| | 0.0 | -2.0 | 9.6 | 2.86 | 9.3 | 2.92 | 9.1 | 2.98 | 8.9 | 3.04 | 8.6 | 3.10 |
| | 5.0 | 3.0 | 10.5 | 2.74 | 10.3 | 2.79 | 10.0 | 2.85 | 9.8 | 2.91 | 9.5 | 2.97 |
| | 7.0 | 6.0 | 10.5 | 2.49 | 10.3 | 2.54 | 10.0 | 2.59 | 9.8 | 2.64 | 9.5 | 2.69 |
| | 10.0 | 8.0 | 10.5 | 2.39 | 10.3 | 2.44 | 10.0 | 2.49 | 9.8 | 2.54 | 9.5 | 2.59 |
| | 15.0 | 10.0 | 10.5 | 2.09 | 10.3 | 2.13 | 10.0 | 2.17 | 9.8 | 2.22 | 9.5 | 2.26 |
| | 20.0 | 15.0 | 10.5 | 1.76 | 10.3 | 1.79 | 10.0 | 1.83 | 9.8 | 1.87 | 9.5 | 1.90 |
| 24.0 | 18.0 | 10.5 | 1.59 | 10.3 | 1.63 | 10.0 | 1.66 | 9.8 | 1.69 | 9.5 | 1.73 | |

NOTES:

- TC: Total Capacity (kW), IP: Input Power (kW)
- Values mentioned in the table are based on the following conditions:
 - Power source of specifications: 230 V
 - Pipe length: 5 m, Height difference: 0 m (Outdoor unit—Indoor unit)
- 2 or more indoor units should be connected.
- The total ability of connected a indoor unit is from 25,000 Btu/h up to 49,000 Btu/h.
- Input in the table are calculated based on the maximum indoor unit input combinations.

● Compact cassette type

Model: AUXG07KVLA

| Outdoor temperature | | Indoor temperature (°CDB) | | | | |
|---------------------|--------|---------------------------|------|------|------|------|
| | | 16.0 | 18.0 | 20.0 | 22.0 | 24.0 |
| (°CDB) | (°CWB) | TC | TC | TC | TC | TC |
| -15.0 | -16.0 | 1.54 | 1.50 | 1.46 | 1.43 | 1.39 |
| -10.0 | -11.0 | 1.91 | 1.87 | 1.82 | 1.78 | 1.73 |
| -5.0 | -7.0 | 2.27 | 2.22 | 2.17 | 2.11 | 2.06 |
| 0.0 | -2.0 | 2.68 | 2.61 | 2.55 | 2.48 | 2.42 |
| 5.0 | 3.0 | 2.94 | 2.87 | 2.80 | 2.73 | 2.66 |
| 7.0 | 6.0 | 2.94 | 2.87 | 2.80 | 2.73 | 2.66 |
| 10.0 | 8.0 | 2.94 | 2.87 | 2.80 | 2.73 | 2.66 |
| 15.0 | 10.0 | 2.94 | 2.87 | 2.80 | 2.73 | 2.66 |
| 20.0 | 15.0 | 2.94 | 2.87 | 2.80 | 2.73 | 2.66 |
| 24.0 | 18.0 | 2.94 | 2.87 | 2.80 | 2.73 | 2.66 |

Model: AUXG09KVLA

| Outdoor temperature | | Indoor temperature (°CDB) | | | | |
|---------------------|--------|---------------------------|------|------|------|------|
| | | 16.0 | 18.0 | 20.0 | 22.0 | 24.0 |
| (°CDB) | (°CWB) | TC | TC | TC | TC | TC |
| -15.0 | -16.0 | 1.97 | 1.93 | 1.88 | 1.83 | 1.79 |
| -10.0 | -11.0 | 2.46 | 2.40 | 2.34 | 2.28 | 2.22 |
| -5.0 | -7.0 | 2.92 | 2.86 | 2.79 | 2.72 | 2.65 |
| 0.0 | -2.0 | 3.44 | 3.36 | 3.28 | 3.19 | 3.11 |
| 5.0 | 3.0 | 3.78 | 3.69 | 3.60 | 3.51 | 3.42 |
| 7.0 | 6.0 | 3.78 | 3.69 | 3.60 | 3.51 | 3.42 |
| 10.0 | 8.0 | 3.78 | 3.69 | 3.60 | 3.51 | 3.42 |
| 15.0 | 10.0 | 3.78 | 3.69 | 3.60 | 3.51 | 3.42 |
| 20.0 | 15.0 | 3.78 | 3.69 | 3.60 | 3.51 | 3.42 |
| 24.0 | 18.0 | 3.78 | 3.69 | 3.60 | 3.51 | 3.42 |

Model: AUXG12KVLA

| Outdoor temperature | | Indoor temperature (°CDB) | | | | |
|---------------------|--------|---------------------------|------|------|------|------|
| | | 16.0 | 18.0 | 20.0 | 22.0 | 24.0 |
| (°CDB) | (°CWB) | TC | TC | TC | TC | TC |
| -15.0 | -16.0 | 2.63 | 2.57 | 2.51 | 2.44 | 2.38 |
| -10.0 | -11.0 | 3.28 | 3.20 | 3.12 | 3.04 | 2.97 |
| -5.0 | -7.0 | 3.90 | 3.81 | 3.71 | 3.62 | 3.53 |
| 0.0 | -2.0 | 4.59 | 4.48 | 4.37 | 4.26 | 4.15 |
| 5.0 | 3.0 | 5.04 | 4.92 | 4.80 | 4.68 | 4.56 |
| 7.0 | 6.0 | 5.04 | 4.92 | 4.80 | 4.68 | 4.56 |
| 10.0 | 8.0 | 5.04 | 4.92 | 4.80 | 4.68 | 4.56 |
| 15.0 | 10.0 | 5.04 | 4.92 | 4.80 | 4.68 | 4.56 |
| 20.0 | 15.0 | 5.04 | 4.92 | 4.80 | 4.68 | 4.56 |
| 24.0 | 18.0 | 5.04 | 4.92 | 4.80 | 4.68 | 4.56 |

Model: AUXG14KVLA

| Outdoor temperature | | Indoor temperature (°CDB) | | | | |
|---------------------|--------|---------------------------|------|------|------|------|
| | | 16.0 | 18.0 | 20.0 | 22.0 | 24.0 |
| (°CDB) | (°CWB) | TC | TC | TC | TC | TC |
| -15.0 | -16.0 | 3.07 | 3.00 | 2.93 | 2.85 | 2.78 |
| -10.0 | -11.0 | 3.82 | 3.73 | 3.64 | 3.55 | 3.46 |
| -5.0 | -7.0 | 4.55 | 4.44 | 4.33 | 4.22 | 4.12 |
| 0.0 | -2.0 | 5.35 | 5.22 | 5.10 | 4.97 | 4.84 |
| 5.0 | 3.0 | 5.88 | 5.74 | 5.60 | 5.46 | 5.32 |
| 7.0 | 6.0 | 5.88 | 5.74 | 5.60 | 5.46 | 5.32 |
| 10.0 | 8.0 | 5.88 | 5.74 | 5.60 | 5.46 | 5.32 |
| 15.0 | 10.0 | 5.88 | 5.74 | 5.60 | 5.46 | 5.32 |
| 20.0 | 15.0 | 5.88 | 5.74 | 5.60 | 5.46 | 5.32 |
| 24.0 | 18.0 | 5.88 | 5.74 | 5.60 | 5.46 | 5.32 |

Model: AUXG18KVLA

| Outdoor temperature | | Indoor temperature (°CDB) | | | | |
|---------------------|--------|---------------------------|------|------|------|------|
| | | 16.0 | 18.0 | 20.0 | 22.0 | 24.0 |
| (°CDB) | (°CWB) | TC | TC | TC | TC | TC |
| -15.0 | -16.0 | 3.69 | 3.60 | 3.51 | 3.42 | 3.33 |
| -10.0 | -11.0 | 4.59 | 4.48 | 4.37 | 4.26 | 4.15 |
| -5.0 | -7.0 | 5.46 | 5.33 | 5.20 | 5.07 | 4.94 |
| 0.0 | -2.0 | 6.42 | 6.27 | 6.11 | 5.96 | 5.81 |
| 5.0 | 3.0 | 7.06 | 6.89 | 6.72 | 6.55 | 6.38 |
| 7.0 | 6.0 | 7.06 | 6.89 | 6.72 | 6.55 | 6.38 |
| 10.0 | 8.0 | 7.06 | 6.89 | 6.72 | 6.55 | 6.38 |
| 15.0 | 10.0 | 7.06 | 6.89 | 6.72 | 6.55 | 6.38 |
| 20.0 | 15.0 | 7.06 | 6.89 | 6.72 | 6.55 | 6.38 |
| 24.0 | 18.0 | 7.06 | 6.89 | 6.72 | 6.55 | 6.38 |

Model: AUXG22KVLA

| Outdoor temperature | | Indoor temperature (°CDB) | | | | |
|---------------------|--------|---------------------------|------|------|------|------|
| | | 16.0 | 18.0 | 20.0 | 22.0 | 24.0 |
| (°CDB) | (°CWB) | TC | TC | TC | TC | TC |
| -15.0 | -16.0 | 4.66 | 4.55 | 4.44 | 4.33 | 4.22 |
| -10.0 | -11.0 | 5.80 | 5.67 | 5.53 | 5.39 | 5.25 |
| -5.0 | -7.0 | 6.91 | 6.74 | 6.58 | 6.41 | 6.25 |
| 0.0 | -2.0 | 8.12 | 7.93 | 7.73 | 7.54 | 7.35 |
| 5.0 | 3.0 | 8.93 | 8.71 | 8.50 | 8.29 | 8.08 |
| 7.0 | 6.0 | 8.93 | 8.71 | 8.50 | 8.29 | 8.08 |
| 10.0 | 8.0 | 8.93 | 8.71 | 8.50 | 8.29 | 8.08 |
| 15.0 | 10.0 | 8.93 | 8.71 | 8.50 | 8.29 | 8.08 |
| 20.0 | 15.0 | 8.93 | 8.71 | 8.50 | 8.29 | 8.08 |
| 24.0 | 18.0 | 8.93 | 8.71 | 8.50 | 8.29 | 8.08 |

NOTES:

- TC: Total Capacity (kW)
- Values mentioned in the table are based on the following conditions:
 - Pipe length: 5 m, Height difference: 0 m (Outdoor unit—Indoor unit)

● Mini duct type

Model: ARXG07KSLAP

| Outdoor temperature | | Indoor temperature (°CDB) | | | | |
|---------------------|--------|---------------------------|------|------|------|------|
| | | 16.0 | 18.0 | 20.0 | 22.0 | 24.0 |
| (°CDB) | (°CWB) | TC | TC | TC | TC | TC |
| -15.0 | -16.0 | 1.54 | 1.50 | 1.46 | 1.43 | 1.39 |
| -10.0 | -11.0 | 1.91 | 1.87 | 1.82 | 1.78 | 1.73 |
| -5.0 | -7.0 | 2.27 | 2.22 | 2.17 | 2.11 | 2.06 |
| 0.0 | -2.0 | 2.68 | 2.61 | 2.55 | 2.48 | 2.42 |
| 5.0 | 3.0 | 2.94 | 2.87 | 2.80 | 2.73 | 2.66 |
| 7.0 | 6.0 | 2.94 | 2.87 | 2.80 | 2.73 | 2.66 |
| 10.0 | 8.0 | 2.94 | 2.87 | 2.80 | 2.73 | 2.66 |
| 15.0 | 10.0 | 2.94 | 2.87 | 2.80 | 2.73 | 2.66 |
| 20.0 | 15.0 | 2.94 | 2.87 | 2.80 | 2.73 | 2.66 |
| 24.0 | 18.0 | 2.94 | 2.87 | 2.80 | 2.73 | 2.66 |

Model: ARXG09KSLAP

| Outdoor temperature | | Indoor temperature (°CDB) | | | | |
|---------------------|--------|---------------------------|------|------|------|------|
| | | 16.0 | 18.0 | 20.0 | 22.0 | 24.0 |
| (°CDB) | (°CWB) | TC | TC | TC | TC | TC |
| -15.0 | -16.0 | 1.97 | 1.93 | 1.88 | 1.83 | 1.79 |
| -10.0 | -11.0 | 2.46 | 2.40 | 2.34 | 2.28 | 2.22 |
| -5.0 | -7.0 | 2.92 | 2.86 | 2.79 | 2.72 | 2.65 |
| 0.0 | -2.0 | 3.44 | 3.36 | 3.28 | 3.19 | 3.11 |
| 5.0 | 3.0 | 3.78 | 3.69 | 3.60 | 3.51 | 3.42 |
| 7.0 | 6.0 | 3.78 | 3.69 | 3.60 | 3.51 | 3.42 |
| 10.0 | 8.0 | 3.78 | 3.69 | 3.60 | 3.51 | 3.42 |
| 15.0 | 10.0 | 3.78 | 3.69 | 3.60 | 3.51 | 3.42 |
| 20.0 | 15.0 | 3.78 | 3.69 | 3.60 | 3.51 | 3.42 |
| 24.0 | 18.0 | 3.78 | 3.69 | 3.60 | 3.51 | 3.42 |

Model: ARXG12KSLAP

| Outdoor temperature | | Indoor temperature (°CDB) | | | | |
|---------------------|--------|---------------------------|------|------|------|------|
| | | 16.0 | 18.0 | 20.0 | 22.0 | 24.0 |
| (°CDB) | (°CWB) | TC | TC | TC | TC | TC |
| -15.0 | -16.0 | 2.63 | 2.57 | 2.51 | 2.44 | 2.38 |
| -10.0 | -11.0 | 3.28 | 3.20 | 3.12 | 3.04 | 2.97 |
| -5.0 | -7.0 | 3.90 | 3.81 | 3.71 | 3.62 | 3.53 |
| 0.0 | -2.0 | 4.59 | 4.48 | 4.37 | 4.26 | 4.15 |
| 5.0 | 3.0 | 5.04 | 4.92 | 4.80 | 4.68 | 4.56 |
| 7.0 | 6.0 | 5.04 | 4.92 | 4.80 | 4.68 | 4.56 |
| 10.0 | 8.0 | 5.04 | 4.92 | 4.80 | 4.68 | 4.56 |
| 15.0 | 10.0 | 5.04 | 4.92 | 4.80 | 4.68 | 4.56 |
| 20.0 | 15.0 | 5.04 | 4.92 | 4.80 | 4.68 | 4.56 |
| 24.0 | 18.0 | 5.04 | 4.92 | 4.80 | 4.68 | 4.56 |

Model: ARXG14KSLAP

| Outdoor temperature | | Indoor temperature (°CDB) | | | | |
|---------------------|--------|---------------------------|------|------|------|------|
| | | 16.0 | 18.0 | 20.0 | 22.0 | 24.0 |
| (°CDB) | (°CWB) | TC | TC | TC | TC | TC |
| -15.0 | -16.0 | 3.07 | 3.00 | 2.93 | 2.85 | 2.78 |
| -10.0 | -11.0 | 3.82 | 3.73 | 3.64 | 3.55 | 3.46 |
| -5.0 | -7.0 | 4.55 | 4.44 | 4.33 | 4.22 | 4.12 |
| 0.0 | -2.0 | 5.35 | 5.22 | 5.10 | 4.97 | 4.84 |
| 5.0 | 3.0 | 5.88 | 5.74 | 5.60 | 5.46 | 5.32 |
| 7.0 | 6.0 | 5.88 | 5.74 | 5.60 | 5.46 | 5.32 |
| 10.0 | 8.0 | 5.88 | 5.74 | 5.60 | 5.46 | 5.32 |
| 15.0 | 10.0 | 5.88 | 5.74 | 5.60 | 5.46 | 5.32 |
| 20.0 | 15.0 | 5.88 | 5.74 | 5.60 | 5.46 | 5.32 |
| 24.0 | 18.0 | 5.88 | 5.74 | 5.60 | 5.46 | 5.32 |

Model: ARXG18KSLAP

| Outdoor temperature | | Indoor temperature (°CDB) | | | | |
|---------------------|--------|---------------------------|------|------|------|------|
| | | 16.0 | 18.0 | 20.0 | 22.0 | 24.0 |
| (°CDB) | (°CWB) | TC | TC | TC | TC | TC |
| -15.0 | -16.0 | 3.69 | 3.60 | 3.51 | 3.42 | 3.33 |
| -10.0 | -11.0 | 4.59 | 4.48 | 4.37 | 4.26 | 4.15 |
| -5.0 | -7.0 | 5.46 | 5.33 | 5.20 | 5.07 | 4.94 |
| 0.0 | -2.0 | 6.42 | 6.27 | 6.11 | 5.96 | 5.81 |
| 5.0 | 3.0 | 7.06 | 6.89 | 6.72 | 6.55 | 6.38 |
| 7.0 | 6.0 | 7.06 | 6.89 | 6.72 | 6.55 | 6.38 |
| 10.0 | 8.0 | 7.06 | 6.89 | 6.72 | 6.55 | 6.38 |
| 15.0 | 10.0 | 7.06 | 6.89 | 6.72 | 6.55 | 6.38 |
| 20.0 | 15.0 | 7.06 | 6.89 | 6.72 | 6.55 | 6.38 |
| 24.0 | 18.0 | 7.06 | 6.89 | 6.72 | 6.55 | 6.38 |

NOTES:

- TC: Total Capacity (kW)
- Values mentioned in the table are based on the following conditions:
 - Pipe length: 5 m, Height difference: 0 m [Outdoor unit—Indoor unit]

● Slim duct type

Model: ARXG07KLLAP

| Outdoor temperature | | Indoor temperature (°CDB) | | | | |
|---------------------|--------|---------------------------|------|------|------|------|
| | | 16.0 | 18.0 | 20.0 | 22.0 | 24.0 |
| (°CDB) | (°CWB) | TC | TC | TC | TC | TC |
| -15.0 | -16.0 | 1.54 | 1.50 | 1.46 | 1.43 | 1.39 |
| -10.0 | -11.0 | 1.91 | 1.87 | 1.82 | 1.78 | 1.73 |
| -5.0 | -7.0 | 2.27 | 2.22 | 2.17 | 2.11 | 2.06 |
| 0.0 | -2.0 | 2.68 | 2.61 | 2.55 | 2.48 | 2.42 |
| 5.0 | 3.0 | 2.94 | 2.87 | 2.80 | 2.73 | 2.66 |
| 7.0 | 6.0 | 2.94 | 2.87 | 2.80 | 2.73 | 2.66 |
| 10.0 | 8.0 | 2.94 | 2.87 | 2.80 | 2.73 | 2.66 |
| 15.0 | 10.0 | 2.94 | 2.87 | 2.80 | 2.73 | 2.66 |
| 20.0 | 15.0 | 2.94 | 2.87 | 2.80 | 2.73 | 2.66 |
| 24.0 | 18.0 | 2.94 | 2.87 | 2.80 | 2.73 | 2.66 |

OUTDOOR UNIT
AOYG30KETA4OUTDOOR UNIT
AOYG30KETA4

Model: ARXG09KLLAP

| Outdoor temperature | | Indoor temperature (°CDB) | | | | |
|---------------------|--------|---------------------------|------|------|------|------|
| | | 16.0 | 18.0 | 20.0 | 22.0 | 24.0 |
| (°CDB) | (°CWB) | TC | TC | TC | TC | TC |
| -15.0 | -16.0 | 1.97 | 1.93 | 1.88 | 1.83 | 1.79 |
| -10.0 | -11.0 | 2.46 | 2.40 | 2.34 | 2.28 | 2.22 |
| -5.0 | -7.0 | 2.92 | 2.86 | 2.79 | 2.72 | 2.65 |
| 0.0 | -2.0 | 3.44 | 3.36 | 3.28 | 3.19 | 3.11 |
| 5.0 | 3.0 | 3.78 | 3.69 | 3.60 | 3.51 | 3.42 |
| 7.0 | 6.0 | 3.78 | 3.69 | 3.60 | 3.51 | 3.42 |
| 10.0 | 8.0 | 3.78 | 3.69 | 3.60 | 3.51 | 3.42 |
| 15.0 | 10.0 | 3.78 | 3.69 | 3.60 | 3.51 | 3.42 |
| 20.0 | 15.0 | 3.78 | 3.69 | 3.60 | 3.51 | 3.42 |
| 24.0 | 18.0 | 3.78 | 3.69 | 3.60 | 3.51 | 3.42 |

Model: ARXG12KLLAP

| Outdoor temperature | | Indoor temperature (°CDB) | | | | |
|---------------------|--------|---------------------------|------|------|------|------|
| | | 16.0 | 18.0 | 20.0 | 22.0 | 24.0 |
| (°CDB) | (°CWB) | TC | TC | TC | TC | TC |
| -15.0 | -16.0 | 2.63 | 2.57 | 2.51 | 2.44 | 2.38 |
| -10.0 | -11.0 | 3.28 | 3.20 | 3.12 | 3.04 | 2.97 |
| -5.0 | -7.0 | 3.90 | 3.81 | 3.71 | 3.62 | 3.53 |
| 0.0 | -2.0 | 4.59 | 4.48 | 4.37 | 4.26 | 4.15 |
| 5.0 | 3.0 | 5.04 | 4.92 | 4.80 | 4.68 | 4.56 |
| 7.0 | 6.0 | 5.04 | 4.92 | 4.80 | 4.68 | 4.56 |
| 10.0 | 8.0 | 5.04 | 4.92 | 4.80 | 4.68 | 4.56 |
| 15.0 | 10.0 | 5.04 | 4.92 | 4.80 | 4.68 | 4.56 |
| 20.0 | 15.0 | 5.04 | 4.92 | 4.80 | 4.68 | 4.56 |
| 24.0 | 18.0 | 5.04 | 4.92 | 4.80 | 4.68 | 4.56 |

Model: ARXG14KLLAP

| Outdoor temperature | | Indoor temperature (°CDB) | | | | |
|---------------------|--------|---------------------------|------|------|------|------|
| | | 16.0 | 18.0 | 20.0 | 22.0 | 24.0 |
| (°CDB) | (°CWB) | TC | TC | TC | TC | TC |
| -15.0 | -16.0 | 3.07 | 3.00 | 2.93 | 2.85 | 2.78 |
| -10.0 | -11.0 | 3.82 | 3.73 | 3.64 | 3.55 | 3.46 |
| -5.0 | -7.0 | 4.55 | 4.44 | 4.33 | 4.22 | 4.12 |
| 0.0 | -2.0 | 5.35 | 5.22 | 5.10 | 4.97 | 4.84 |
| 5.0 | 3.0 | 5.88 | 5.74 | 5.60 | 5.46 | 5.32 |
| 7.0 | 6.0 | 5.88 | 5.74 | 5.60 | 5.46 | 5.32 |
| 10.0 | 8.0 | 5.88 | 5.74 | 5.60 | 5.46 | 5.32 |
| 15.0 | 10.0 | 5.88 | 5.74 | 5.60 | 5.46 | 5.32 |
| 20.0 | 15.0 | 5.88 | 5.74 | 5.60 | 5.46 | 5.32 |
| 24.0 | 18.0 | 5.88 | 5.74 | 5.60 | 5.46 | 5.32 |

Model: ARXG18KLLAP

| Outdoor temperature | | Indoor temperature (°CDB) | | | | |
|---------------------|--------|---------------------------|------|------|------|------|
| | | 16.0 | 18.0 | 20.0 | 22.0 | 24.0 |
| (°CDB) | (°CWB) | TC | TC | TC | TC | TC |
| -15.0 | -16.0 | 3.69 | 3.60 | 3.51 | 3.42 | 3.33 |
| -10.0 | -11.0 | 4.59 | 4.48 | 4.37 | 4.26 | 4.15 |
| -5.0 | -7.0 | 5.46 | 5.33 | 5.20 | 5.07 | 4.94 |
| 0.0 | -2.0 | 6.42 | 6.27 | 6.11 | 5.96 | 5.81 |
| 5.0 | 3.0 | 7.06 | 6.89 | 6.72 | 6.55 | 6.38 |
| 7.0 | 6.0 | 7.06 | 6.89 | 6.72 | 6.55 | 6.38 |
| 10.0 | 8.0 | 7.06 | 6.89 | 6.72 | 6.55 | 6.38 |
| 15.0 | 10.0 | 7.06 | 6.89 | 6.72 | 6.55 | 6.38 |
| 20.0 | 15.0 | 7.06 | 6.89 | 6.72 | 6.55 | 6.38 |
| 24.0 | 18.0 | 7.06 | 6.89 | 6.72 | 6.55 | 6.38 |

NOTES:

- TC: Total Capacity (kW)
- Values mentioned in the table are based on the following conditions:
 - Pipe length: 5 m, Height difference: 0 m (Outdoor unit—Indoor unit)

● Medium static pressure duct type**Model: ARXG22KMLB**

| Outdoor temperature | | Indoor temperature (°CDB) | | | | |
|---------------------|--------|---------------------------|------|------|------|------|
| | | 16.0 | 18.0 | 20.0 | 22.0 | 24.0 |
| (°CDB) | (°CWB) | TC | TC | TC | TC | TC |
| -15.0 | -16.0 | 4.66 | 4.55 | 4.44 | 4.33 | 4.22 |
| -10.0 | -11.0 | 5.80 | 5.67 | 5.53 | 5.39 | 5.25 |
| -5.0 | -7.0 | 6.91 | 6.74 | 6.58 | 6.41 | 6.25 |
| 0.0 | -2.0 | 8.12 | 7.93 | 7.73 | 7.54 | 7.35 |
| 5.0 | 3.0 | 8.93 | 8.71 | 8.50 | 8.29 | 8.08 |
| 7.0 | 6.0 | 8.93 | 8.71 | 8.50 | 8.29 | 8.08 |
| 10.0 | 8.0 | 8.93 | 8.71 | 8.50 | 8.29 | 8.08 |
| 15.0 | 10.0 | 8.93 | 8.71 | 8.50 | 8.29 | 8.08 |
| 20.0 | 15.0 | 8.93 | 8.71 | 8.50 | 8.29 | 8.08 |
| 24.0 | 18.0 | 8.93 | 8.71 | 8.50 | 8.29 | 8.08 |

Model: ARXH22KMTAP

| Outdoor temperature | | Indoor temperature (°CDB) | | | | |
|---------------------|--------|---------------------------|------|------|------|------|
| | | 16.0 | 18.0 | 20.0 | 22.0 | 24.0 |
| (°CDB) | (°CWB) | TC | TC | TC | TC | TC |
| -15.0 | -16.0 | 4.66 | 4.55 | 4.44 | 4.33 | 4.22 |
| -10.0 | -11.0 | 5.80 | 5.67 | 5.53 | 5.39 | 5.25 |
| -5.0 | -7.0 | 6.91 | 6.74 | 6.58 | 6.41 | 6.25 |
| 0.0 | -2.0 | 8.12 | 7.93 | 7.73 | 7.54 | 7.35 |
| 5.0 | 3.0 | 8.93 | 8.71 | 8.50 | 8.29 | 8.08 |
| 7.0 | 6.0 | 8.93 | 8.71 | 8.50 | 8.29 | 8.08 |
| 10.0 | 8.0 | 8.93 | 8.71 | 8.50 | 8.29 | 8.08 |
| 15.0 | 10.0 | 8.93 | 8.71 | 8.50 | 8.29 | 8.08 |
| 20.0 | 15.0 | 8.93 | 8.71 | 8.50 | 8.29 | 8.08 |
| 24.0 | 18.0 | 8.93 | 8.71 | 8.50 | 8.29 | 8.08 |

NOTES:

- TC: Total Capacity (kW)
- Values mentioned in the table are based on the following conditions:
 - Pipe length: 5 m, Height difference: 0 m (Outdoor unit—Indoor unit)

● Wall mounted type

Model: ASYG07KGTB

| Outdoor temperature | | Indoor temperature (°CDB) | | | | |
|---------------------|--------|---------------------------|------|------|------|------|
| | | 16.0 | 18.0 | 20.0 | 22.0 | 24.0 |
| (°CDB) | (°CWB) | TC | TC | TC | TC | TC |
| -15.0 | -16.0 | 1.54 | 1.50 | 1.46 | 1.43 | 1.39 |
| -10.0 | -11.0 | 1.91 | 1.87 | 1.82 | 1.78 | 1.73 |
| -5.0 | -7.0 | 2.27 | 2.22 | 2.17 | 2.11 | 2.06 |
| 0.0 | -2.0 | 2.68 | 2.61 | 2.55 | 2.48 | 2.42 |
| 5.0 | 3.0 | 2.94 | 2.87 | 2.80 | 2.73 | 2.66 |
| 7.0 | 6.0 | 2.94 | 2.87 | 2.80 | 2.73 | 2.66 |
| 10.0 | 8.0 | 2.94 | 2.87 | 2.80 | 2.73 | 2.66 |
| 15.0 | 10.0 | 2.94 | 2.87 | 2.80 | 2.73 | 2.66 |
| 20.0 | 15.0 | 2.94 | 2.87 | 2.80 | 2.73 | 2.66 |
| 24.0 | 18.0 | 2.94 | 2.87 | 2.80 | 2.73 | 2.66 |

Model: ASYG09KGTB

| Outdoor temperature | | Indoor temperature (°CDB) | | | | |
|---------------------|--------|---------------------------|------|------|------|------|
| | | 16.0 | 18.0 | 20.0 | 22.0 | 24.0 |
| (°CDB) | (°CWB) | TC | TC | TC | TC | TC |
| -15.0 | -16.0 | 1.97 | 1.93 | 1.88 | 1.83 | 1.79 |
| -10.0 | -11.0 | 2.46 | 2.40 | 2.34 | 2.28 | 2.22 |
| -5.0 | -7.0 | 2.92 | 2.86 | 2.79 | 2.72 | 2.65 |
| 0.0 | -2.0 | 3.44 | 3.36 | 3.28 | 3.19 | 3.11 |
| 5.0 | 3.0 | 3.78 | 3.69 | 3.60 | 3.51 | 3.42 |
| 7.0 | 6.0 | 3.78 | 3.69 | 3.60 | 3.51 | 3.42 |
| 10.0 | 8.0 | 3.78 | 3.69 | 3.60 | 3.51 | 3.42 |
| 15.0 | 10.0 | 3.78 | 3.69 | 3.60 | 3.51 | 3.42 |
| 20.0 | 15.0 | 3.78 | 3.69 | 3.60 | 3.51 | 3.42 |
| 24.0 | 18.0 | 3.78 | 3.69 | 3.60 | 3.51 | 3.42 |

Model: ASYG12KGTB

| Outdoor temperature | | Indoor temperature (°CDB) | | | | |
|---------------------|--------|---------------------------|------|------|------|------|
| | | 16.0 | 18.0 | 20.0 | 22.0 | 24.0 |
| (°CDB) | (°CWB) | TC | TC | TC | TC | TC |
| -15.0 | -16.0 | 2.63 | 2.57 | 2.51 | 2.44 | 2.38 |
| -10.0 | -11.0 | 3.28 | 3.20 | 3.12 | 3.04 | 2.97 |
| -5.0 | -7.0 | 3.90 | 3.81 | 3.71 | 3.62 | 3.53 |
| 0.0 | -2.0 | 4.59 | 4.48 | 4.37 | 4.26 | 4.15 |
| 5.0 | 3.0 | 5.04 | 4.92 | 4.80 | 4.68 | 4.56 |
| 7.0 | 6.0 | 5.04 | 4.92 | 4.80 | 4.68 | 4.56 |
| 10.0 | 8.0 | 5.04 | 4.92 | 4.80 | 4.68 | 4.56 |
| 15.0 | 10.0 | 5.04 | 4.92 | 4.80 | 4.68 | 4.56 |
| 20.0 | 15.0 | 5.04 | 4.92 | 4.80 | 4.68 | 4.56 |
| 24.0 | 18.0 | 5.04 | 4.92 | 4.80 | 4.68 | 4.56 |

Model: ASYG14KGTB

| Outdoor temperature | | Indoor temperature (°CDB) | | | | |
|---------------------|--------|---------------------------|------|------|------|------|
| | | 16.0 | 18.0 | 20.0 | 22.0 | 24.0 |
| (°CDB) | (°CWB) | TC | TC | TC | TC | TC |
| -15.0 | -16.0 | 3.07 | 3.00 | 2.93 | 2.85 | 2.78 |
| -10.0 | -11.0 | 3.82 | 3.73 | 3.64 | 3.55 | 3.46 |
| -5.0 | -7.0 | 4.55 | 4.44 | 4.33 | 4.22 | 4.12 |
| 0.0 | -2.0 | 5.35 | 5.22 | 5.10 | 4.97 | 4.84 |
| 5.0 | 3.0 | 5.88 | 5.74 | 5.60 | 5.46 | 5.32 |
| 7.0 | 6.0 | 5.88 | 5.74 | 5.60 | 5.46 | 5.32 |
| 10.0 | 8.0 | 5.88 | 5.74 | 5.60 | 5.46 | 5.32 |
| 15.0 | 10.0 | 5.88 | 5.74 | 5.60 | 5.46 | 5.32 |
| 20.0 | 15.0 | 5.88 | 5.74 | 5.60 | 5.46 | 5.32 |
| 24.0 | 18.0 | 5.88 | 5.74 | 5.60 | 5.46 | 5.32 |

Model: ASYG07KGTE

| Outdoor temperature | | Indoor temperature (°CDB) | | | | |
|---------------------|--------|---------------------------|------|------|------|------|
| | | 16.0 | 18.0 | 20.0 | 22.0 | 24.0 |
| (°CDB) | (°CWB) | TC | TC | TC | TC | TC |
| -15.0 | -16.0 | 1.54 | 1.50 | 1.46 | 1.43 | 1.39 |
| -10.0 | -11.0 | 1.91 | 1.87 | 1.82 | 1.78 | 1.73 |
| -5.0 | -7.0 | 2.27 | 2.22 | 2.17 | 2.11 | 2.06 |
| 0.0 | -2.0 | 2.68 | 2.61 | 2.55 | 2.48 | 2.42 |
| 5.0 | 3.0 | 2.94 | 2.87 | 2.80 | 2.73 | 2.66 |
| 7.0 | 6.0 | 2.94 | 2.87 | 2.80 | 2.73 | 2.66 |
| 10.0 | 8.0 | 2.94 | 2.87 | 2.80 | 2.73 | 2.66 |
| 15.0 | 10.0 | 2.94 | 2.87 | 2.80 | 2.73 | 2.66 |
| 20.0 | 15.0 | 2.94 | 2.87 | 2.80 | 2.73 | 2.66 |
| 24.0 | 18.0 | 2.94 | 2.87 | 2.80 | 2.73 | 2.66 |

Model: ASYG09KGTE

| Outdoor temperature | | Indoor temperature (°CDB) | | | | |
|---------------------|--------|---------------------------|------|------|------|------|
| | | 16.0 | 18.0 | 20.0 | 22.0 | 24.0 |
| (°CDB) | (°CWB) | TC | TC | TC | TC | TC |
| -15.0 | -16.0 | 1.97 | 1.93 | 1.88 | 1.83 | 1.79 |
| -10.0 | -11.0 | 2.46 | 2.40 | 2.34 | 2.28 | 2.22 |
| -5.0 | -7.0 | 2.92 | 2.86 | 2.79 | 2.72 | 2.65 |
| 0.0 | -2.0 | 3.44 | 3.36 | 3.28 | 3.19 | 3.11 |
| 5.0 | 3.0 | 3.78 | 3.69 | 3.60 | 3.51 | 3.42 |
| 7.0 | 6.0 | 3.78 | 3.69 | 3.60 | 3.51 | 3.42 |
| 10.0 | 8.0 | 3.78 | 3.69 | 3.60 | 3.51 | 3.42 |
| 15.0 | 10.0 | 3.78 | 3.69 | 3.60 | 3.51 | 3.42 |
| 20.0 | 15.0 | 3.78 | 3.69 | 3.60 | 3.51 | 3.42 |
| 24.0 | 18.0 | 3.78 | 3.69 | 3.60 | 3.51 | 3.42 |

Model: ASYG12KGTE

| Outdoor temperature | | Indoor temperature (°CDB) | | | | |
|---------------------|--------|---------------------------|------|------|------|------|
| | | 16.0 | 18.0 | 20.0 | 22.0 | 24.0 |
| (°CDB) | (°CWB) | TC | TC | TC | TC | TC |
| -15.0 | -16.0 | 2.63 | 2.57 | 2.51 | 2.44 | 2.38 |
| -10.0 | -11.0 | 3.28 | 3.20 | 3.12 | 3.04 | 2.97 |
| -5.0 | -7.0 | 3.90 | 3.81 | 3.71 | 3.62 | 3.53 |
| 0.0 | -2.0 | 4.59 | 4.48 | 4.37 | 4.26 | 4.15 |
| 5.0 | 3.0 | 5.04 | 4.92 | 4.80 | 4.68 | 4.56 |
| 7.0 | 6.0 | 5.04 | 4.92 | 4.80 | 4.68 | 4.56 |
| 10.0 | 8.0 | 5.04 | 4.92 | 4.80 | 4.68 | 4.56 |
| 15.0 | 10.0 | 5.04 | 4.92 | 4.80 | 4.68 | 4.56 |
| 20.0 | 15.0 | 5.04 | 4.92 | 4.80 | 4.68 | 4.56 |
| 24.0 | 18.0 | 5.04 | 4.92 | 4.80 | 4.68 | 4.56 |

Model: ASYG14KGTE

| Outdoor temperature | | Indoor temperature (°CDB) | | | | |
|---------------------|--------|---------------------------|------|------|------|------|
| | | 16.0 | 18.0 | 20.0 | 22.0 | 24.0 |
| (°CDB) | (°CWB) | TC | TC | TC | TC | TC |
| -15.0 | -16.0 | 3.07 | 3.00 | 2.93 | 2.85 | 2.78 |
| -10.0 | -11.0 | 3.82 | 3.73 | 3.64 | 3.55 | 3.46 |
| -5.0 | -7.0 | 4.55 | 4.44 | 4.33 | 4.22 | 4.12 |
| 0.0 | -2.0 | 5.35 | 5.22 | 5.10 | 4.97 | 4.84 |
| 5.0 | 3.0 | 5.88 | 5.74 | 5.60 | 5.46 | 5.32 |
| 7.0 | 6.0 | 5.88 | 5.74 | 5.60 | 5.46 | 5.32 |
| 10.0 | 8.0 | 5.88 | 5.74 | 5.60 | 5.46 | 5.32 |
| 15.0 | 10.0 | 5.88 | 5.74 | 5.60 | 5.46 | 5.32 |
| 20.0 | 15.0 | 5.88 | 5.74 | 5.60 | 5.46 | 5.32 |
| 24.0 | 18.0 | 5.88 | 5.74 | 5.60 | 5.46 | 5.32 |

Model: ASYG07KGTF

| Outdoor temperature | | Indoor temperature (°CDB) | | | | |
|---------------------|--------|---------------------------|------|------|------|------|
| | | 16.0 | 18.0 | 20.0 | 22.0 | 24.0 |
| (°CDB) | (°CWB) | TC | TC | TC | TC | TC |
| -15.0 | -16.0 | 1.54 | 1.50 | 1.46 | 1.43 | 1.39 |
| -10.0 | -11.0 | 1.91 | 1.87 | 1.82 | 1.78 | 1.73 |
| -5.0 | -7.0 | 2.27 | 2.22 | 2.17 | 2.11 | 2.06 |
| 0.0 | -2.0 | 2.68 | 2.61 | 2.55 | 2.48 | 2.42 |
| 5.0 | 3.0 | 2.94 | 2.87 | 2.80 | 2.73 | 2.66 |
| 7.0 | 6.0 | 2.94 | 2.87 | 2.80 | 2.73 | 2.66 |
| 10.0 | 8.0 | 2.94 | 2.87 | 2.80 | 2.73 | 2.66 |
| 15.0 | 10.0 | 2.94 | 2.87 | 2.80 | 2.73 | 2.66 |
| 20.0 | 15.0 | 2.94 | 2.87 | 2.80 | 2.73 | 2.66 |
| 24.0 | 18.0 | 2.94 | 2.87 | 2.80 | 2.73 | 2.66 |

Model: ASYG09KGTF

| Outdoor temperature | | Indoor temperature (°CDB) | | | | |
|---------------------|--------|---------------------------|------|------|------|------|
| | | 16.0 | 18.0 | 20.0 | 22.0 | 24.0 |
| (°CDB) | (°CWB) | TC | TC | TC | TC | TC |
| -15.0 | -16.0 | 1.97 | 1.93 | 1.88 | 1.83 | 1.79 |
| -10.0 | -11.0 | 2.46 | 2.40 | 2.34 | 2.28 | 2.22 |
| -5.0 | -7.0 | 2.92 | 2.86 | 2.79 | 2.72 | 2.65 |
| 0.0 | -2.0 | 3.44 | 3.36 | 3.28 | 3.19 | 3.11 |
| 5.0 | 3.0 | 3.78 | 3.69 | 3.60 | 3.51 | 3.42 |
| 7.0 | 6.0 | 3.78 | 3.69 | 3.60 | 3.51 | 3.42 |
| 10.0 | 8.0 | 3.78 | 3.69 | 3.60 | 3.51 | 3.42 |
| 15.0 | 10.0 | 3.78 | 3.69 | 3.60 | 3.51 | 3.42 |
| 20.0 | 15.0 | 3.78 | 3.69 | 3.60 | 3.51 | 3.42 |
| 24.0 | 18.0 | 3.78 | 3.69 | 3.60 | 3.51 | 3.42 |

Model: ASYG12KGTF

| Outdoor temperature | | Indoor temperature (°CDB) | | | | |
|---------------------|--------|---------------------------|------|------|------|------|
| | | 16.0 | 18.0 | 20.0 | 22.0 | 24.0 |
| (°CDB) | (°CWB) | TC | TC | TC | TC | TC |
| -15.0 | -16.0 | 2.63 | 2.57 | 2.51 | 2.44 | 2.38 |
| -10.0 | -11.0 | 3.28 | 3.20 | 3.12 | 3.04 | 2.97 |
| -5.0 | -7.0 | 3.90 | 3.81 | 3.71 | 3.62 | 3.53 |
| 0.0 | -2.0 | 4.59 | 4.48 | 4.37 | 4.26 | 4.15 |
| 5.0 | 3.0 | 5.04 | 4.92 | 4.80 | 4.68 | 4.56 |
| 7.0 | 6.0 | 5.04 | 4.92 | 4.80 | 4.68 | 4.56 |
| 10.0 | 8.0 | 5.04 | 4.92 | 4.80 | 4.68 | 4.56 |
| 15.0 | 10.0 | 5.04 | 4.92 | 4.80 | 4.68 | 4.56 |
| 20.0 | 15.0 | 5.04 | 4.92 | 4.80 | 4.68 | 4.56 |
| 24.0 | 18.0 | 5.04 | 4.92 | 4.80 | 4.68 | 4.56 |

Model: ASYG14KGTF

| Outdoor temperature | | Indoor temperature (°CDB) | | | | |
|---------------------|--------|---------------------------|------|------|------|------|
| | | 16.0 | 18.0 | 20.0 | 22.0 | 24.0 |
| (°CDB) | (°CWB) | TC | TC | TC | TC | TC |
| -15.0 | -16.0 | 3.07 | 3.00 | 2.93 | 2.85 | 2.78 |
| -10.0 | -11.0 | 3.82 | 3.73 | 3.64 | 3.55 | 3.46 |
| -5.0 | -7.0 | 4.55 | 4.44 | 4.33 | 4.22 | 4.12 |
| 0.0 | -2.0 | 5.35 | 5.22 | 5.10 | 4.97 | 4.84 |
| 5.0 | 3.0 | 5.88 | 5.74 | 5.60 | 5.46 | 5.32 |
| 7.0 | 6.0 | 5.88 | 5.74 | 5.60 | 5.46 | 5.32 |
| 10.0 | 8.0 | 5.88 | 5.74 | 5.60 | 5.46 | 5.32 |
| 15.0 | 10.0 | 5.88 | 5.74 | 5.60 | 5.46 | 5.32 |
| 20.0 | 15.0 | 5.88 | 5.74 | 5.60 | 5.46 | 5.32 |
| 24.0 | 18.0 | 5.88 | 5.74 | 5.60 | 5.46 | 5.32 |

Model: ASYG18KMTB

| Outdoor temperature | | Indoor temperature (°CDB) | | | | |
|---------------------|--------|---------------------------|------|------|------|------|
| | | 16.0 | 18.0 | 20.0 | 22.0 | 24.0 |
| (°CDB) | (°CWB) | TC | TC | TC | TC | TC |
| -15.0 | -16.0 | 3.69 | 3.60 | 3.51 | 3.42 | 3.33 |
| -10.0 | -11.0 | 4.59 | 4.48 | 4.37 | 4.26 | 4.15 |
| -5.0 | -7.0 | 5.46 | 5.33 | 5.20 | 5.07 | 4.94 |
| 0.0 | -2.0 | 6.42 | 6.27 | 6.11 | 5.96 | 5.81 |
| 5.0 | 3.0 | 7.06 | 6.89 | 6.72 | 6.55 | 6.38 |
| 7.0 | 6.0 | 7.06 | 6.89 | 6.72 | 6.55 | 6.38 |
| 10.0 | 8.0 | 7.06 | 6.89 | 6.72 | 6.55 | 6.38 |
| 15.0 | 10.0 | 7.06 | 6.89 | 6.72 | 6.55 | 6.38 |
| 20.0 | 15.0 | 7.06 | 6.89 | 6.72 | 6.55 | 6.38 |
| 24.0 | 18.0 | 7.06 | 6.89 | 6.72 | 6.55 | 6.38 |

Model: ASYG22KMTB

| Outdoor temperature | | Indoor temperature (°CDB) | | | | |
|---------------------|--------|---------------------------|------|------|------|------|
| | | 16.0 | 18.0 | 20.0 | 22.0 | 24.0 |
| (°CDB) | (°CWB) | TC | TC | TC | TC | TC |
| -15.0 | -16.0 | 4.66 | 4.55 | 4.44 | 4.33 | 4.22 |
| -10.0 | -11.0 | 5.80 | 5.67 | 5.53 | 5.39 | 5.25 |
| -5.0 | -7.0 | 6.91 | 6.74 | 6.58 | 6.41 | 6.25 |
| 0.0 | -2.0 | 8.12 | 7.93 | 7.73 | 7.54 | 7.35 |
| 5.0 | 3.0 | 8.93 | 8.71 | 8.50 | 8.29 | 8.08 |
| 7.0 | 6.0 | 8.93 | 8.71 | 8.50 | 8.29 | 8.08 |
| 10.0 | 8.0 | 8.93 | 8.71 | 8.50 | 8.29 | 8.08 |
| 15.0 | 10.0 | 8.93 | 8.71 | 8.50 | 8.29 | 8.08 |
| 20.0 | 15.0 | 8.93 | 8.71 | 8.50 | 8.29 | 8.08 |
| 24.0 | 18.0 | 8.93 | 8.71 | 8.50 | 8.29 | 8.08 |

Model: ASYG24KMTB

| Outdoor temperature | | Indoor temperature (°CDB) | | | | |
|---------------------|--------|---------------------------|------|------|------|------|
| | | 16.0 | 18.0 | 20.0 | 22.0 | 24.0 |
| (°CDB) | (°CWB) | TC | TC | TC | TC | TC |
| -15.0 | -16.0 | 4.76 | 4.64 | 4.53 | 4.42 | 4.30 |
| -10.0 | -11.0 | 5.92 | 5.78 | 5.64 | 5.50 | 5.36 |
| -5.0 | -7.0 | 7.04 | 6.88 | 6.71 | 6.54 | 6.37 |
| 0.0 | -2.0 | 8.28 | 8.09 | 7.89 | 7.69 | 7.49 |
| 5.0 | 3.0 | 9.10 | 8.89 | 8.67 | 8.45 | 8.24 |
| 7.0 | 6.0 | 9.10 | 8.89 | 8.67 | 8.45 | 8.24 |
| 10.0 | 8.0 | 9.10 | 8.89 | 8.67 | 8.45 | 8.24 |
| 15.0 | 10.0 | 9.10 | 8.89 | 8.67 | 8.45 | 8.24 |
| 20.0 | 15.0 | 9.10 | 8.89 | 8.67 | 8.45 | 8.24 |
| 24.0 | 18.0 | 9.10 | 8.89 | 8.67 | 8.45 | 8.24 |

Model: ASYG18KMTE

| Outdoor temperature | | Indoor temperature (°CDB) | | | | |
|---------------------|--------|---------------------------|------|------|------|------|
| | | 16.0 | 18.0 | 20.0 | 22.0 | 24.0 |
| (°CDB) | (°CWB) | TC | TC | TC | TC | TC |
| -15.0 | -16.0 | 3.69 | 3.60 | 3.51 | 3.42 | 3.33 |
| -10.0 | -11.0 | 4.59 | 4.48 | 4.37 | 4.26 | 4.15 |
| -5.0 | -7.0 | 5.46 | 5.33 | 5.20 | 5.07 | 4.94 |
| 0.0 | -2.0 | 6.42 | 6.27 | 6.11 | 5.96 | 5.81 |
| 5.0 | 3.0 | 7.06 | 6.89 | 6.72 | 6.55 | 6.38 |
| 7.0 | 6.0 | 7.06 | 6.89 | 6.72 | 6.55 | 6.38 |
| 10.0 | 8.0 | 7.06 | 6.89 | 6.72 | 6.55 | 6.38 |
| 15.0 | 10.0 | 7.06 | 6.89 | 6.72 | 6.55 | 6.38 |
| 20.0 | 15.0 | 7.06 | 6.89 | 6.72 | 6.55 | 6.38 |
| 24.0 | 18.0 | 7.06 | 6.89 | 6.72 | 6.55 | 6.38 |

Model: ASYG22KMTE

| Outdoor temperature | | Indoor temperature (°CDB) | | | | |
|---------------------|--------|---------------------------|------|------|------|------|
| | | 16.0 | 18.0 | 20.0 | 22.0 | 24.0 |
| (°CDB) | (°CWB) | TC | TC | TC | TC | TC |
| -15.0 | -16.0 | 4.66 | 4.55 | 4.44 | 4.33 | 4.22 |
| -10.0 | -11.0 | 5.80 | 5.67 | 5.53 | 5.39 | 5.25 |
| -5.0 | -7.0 | 6.91 | 6.74 | 6.58 | 6.41 | 6.25 |
| 0.0 | -2.0 | 8.12 | 7.93 | 7.73 | 7.54 | 7.35 |
| 5.0 | 3.0 | 8.93 | 8.71 | 8.50 | 8.29 | 8.08 |
| 7.0 | 6.0 | 8.93 | 8.71 | 8.50 | 8.29 | 8.08 |
| 10.0 | 8.0 | 8.93 | 8.71 | 8.50 | 8.29 | 8.08 |
| 15.0 | 10.0 | 8.93 | 8.71 | 8.50 | 8.29 | 8.08 |
| 20.0 | 15.0 | 8.93 | 8.71 | 8.50 | 8.29 | 8.08 |
| 24.0 | 18.0 | 8.93 | 8.71 | 8.50 | 8.29 | 8.08 |

Model: ASYG24KMTE

| Outdoor temperature | | Indoor temperature (°CDB) | | | | |
|---------------------|--------|---------------------------|------|------|------|------|
| | | 16.0 | 18.0 | 20.0 | 22.0 | 24.0 |
| (°CDB) | (°CWB) | TC | TC | TC | TC | TC |
| -15.0 | -16.0 | 4.76 | 4.64 | 4.53 | 4.42 | 4.30 |
| -10.0 | -11.0 | 5.92 | 5.78 | 5.64 | 5.50 | 5.36 |
| -5.0 | -7.0 | 7.04 | 6.88 | 6.71 | 6.54 | 6.37 |
| 0.0 | -2.0 | 8.28 | 8.09 | 7.89 | 7.69 | 7.49 |
| 5.0 | 3.0 | 9.10 | 8.89 | 8.67 | 8.45 | 8.24 |
| 7.0 | 6.0 | 9.10 | 8.89 | 8.67 | 8.45 | 8.24 |
| 10.0 | 8.0 | 9.10 | 8.89 | 8.67 | 8.45 | 8.24 |
| 15.0 | 10.0 | 9.10 | 8.89 | 8.67 | 8.45 | 8.24 |
| 20.0 | 15.0 | 9.10 | 8.89 | 8.67 | 8.45 | 8.24 |
| 24.0 | 18.0 | 9.10 | 8.89 | 8.67 | 8.45 | 8.24 |

Model: ASYG07KMTB

| Outdoor temperature | | Indoor temperature (°CDB) | | | | |
|---------------------|--------|---------------------------|------|------|------|------|
| | | 16.0 | 18.0 | 20.0 | 22.0 | 24.0 |
| (°CDB) | (°CWB) | TC | TC | TC | TC | TC |
| -15.0 | -16.0 | 1.54 | 1.50 | 1.46 | 1.43 | 1.39 |
| -10.0 | -11.0 | 1.91 | 1.87 | 1.82 | 1.78 | 1.73 |
| -5.0 | -7.0 | 2.27 | 2.22 | 2.17 | 2.11 | 2.06 |
| 0.0 | -2.0 | 2.68 | 2.61 | 2.55 | 2.48 | 2.42 |
| 5.0 | 3.0 | 2.94 | 2.87 | 2.80 | 2.73 | 2.66 |
| 7.0 | 6.0 | 2.94 | 2.87 | 2.80 | 2.73 | 2.66 |
| 10.0 | 8.0 | 2.94 | 2.87 | 2.80 | 2.73 | 2.66 |
| 15.0 | 10.0 | 2.94 | 2.87 | 2.80 | 2.73 | 2.66 |
| 20.0 | 15.0 | 2.94 | 2.87 | 2.80 | 2.73 | 2.66 |
| 24.0 | 18.0 | 2.94 | 2.87 | 2.80 | 2.73 | 2.66 |

Model: ASYG09KMTB

| Outdoor temperature | | Indoor temperature (°CDB) | | | | |
|---------------------|--------|---------------------------|------|------|------|------|
| | | 16.0 | 18.0 | 20.0 | 22.0 | 24.0 |
| (°CDB) | (°CWB) | TC | TC | TC | TC | TC |
| -15.0 | -16.0 | 1.97 | 1.93 | 1.88 | 1.83 | 1.79 |
| -10.0 | -11.0 | 2.46 | 2.40 | 2.34 | 2.28 | 2.22 |
| -5.0 | -7.0 | 2.92 | 2.86 | 2.79 | 2.72 | 2.65 |
| 0.0 | -2.0 | 3.44 | 3.36 | 3.28 | 3.19 | 3.11 |
| 5.0 | 3.0 | 3.78 | 3.69 | 3.60 | 3.51 | 3.42 |
| 7.0 | 6.0 | 3.78 | 3.69 | 3.60 | 3.51 | 3.42 |
| 10.0 | 8.0 | 3.78 | 3.69 | 3.60 | 3.51 | 3.42 |
| 15.0 | 10.0 | 3.78 | 3.69 | 3.60 | 3.51 | 3.42 |
| 20.0 | 15.0 | 3.78 | 3.69 | 3.60 | 3.51 | 3.42 |
| 24.0 | 18.0 | 3.78 | 3.69 | 3.60 | 3.51 | 3.42 |

Model: ASYG12KMTB

| Outdoor temperature | | Indoor temperature (°CDB) | | | | |
|---------------------|--------|---------------------------|------|------|------|------|
| | | 16.0 | 18.0 | 20.0 | 22.0 | 24.0 |
| (°CDB) | (°CWB) | TC | TC | TC | TC | TC |
| -15.0 | -16.0 | 2.63 | 2.57 | 2.51 | 2.44 | 2.38 |
| -10.0 | -11.0 | 3.28 | 3.20 | 3.12 | 3.04 | 2.97 |
| -5.0 | -7.0 | 3.90 | 3.81 | 3.71 | 3.62 | 3.53 |
| 0.0 | -2.0 | 4.59 | 4.48 | 4.37 | 4.26 | 4.15 |
| 5.0 | 3.0 | 5.04 | 4.92 | 4.80 | 4.68 | 4.56 |
| 7.0 | 6.0 | 5.04 | 4.92 | 4.80 | 4.68 | 4.56 |
| 10.0 | 8.0 | 5.04 | 4.92 | 4.80 | 4.68 | 4.56 |
| 15.0 | 10.0 | 5.04 | 4.92 | 4.80 | 4.68 | 4.56 |
| 20.0 | 15.0 | 5.04 | 4.92 | 4.80 | 4.68 | 4.56 |
| 24.0 | 18.0 | 5.04 | 4.92 | 4.80 | 4.68 | 4.56 |

Model: ASYG14KMTB

| Outdoor temperature | | Indoor temperature (°CDB) | | | | |
|---------------------|--------|---------------------------|------|------|------|------|
| | | 16.0 | 18.0 | 20.0 | 22.0 | 24.0 |
| (°CDB) | (°CWB) | TC | TC | TC | TC | TC |
| -15.0 | -16.0 | 3.07 | 3.00 | 2.93 | 2.85 | 2.78 |
| -10.0 | -11.0 | 3.82 | 3.73 | 3.64 | 3.55 | 3.46 |
| -5.0 | -7.0 | 4.55 | 4.44 | 4.33 | 4.22 | 4.12 |
| 0.0 | -2.0 | 5.35 | 5.22 | 5.10 | 4.97 | 4.84 |
| 5.0 | 3.0 | 5.88 | 5.74 | 5.60 | 5.46 | 5.32 |
| 7.0 | 6.0 | 5.88 | 5.74 | 5.60 | 5.46 | 5.32 |
| 10.0 | 8.0 | 5.88 | 5.74 | 5.60 | 5.46 | 5.32 |
| 15.0 | 10.0 | 5.88 | 5.74 | 5.60 | 5.46 | 5.32 |
| 20.0 | 15.0 | 5.88 | 5.74 | 5.60 | 5.46 | 5.32 |
| 24.0 | 18.0 | 5.88 | 5.74 | 5.60 | 5.46 | 5.32 |

OUTDOOR UNIT
AOYG30KETA4

OUTDOOR UNIT
AOYG30KETA4

Model: ASYG07KMCC

| Outdoor temperature | | Indoor temperature (°CDB) | | | | |
|---------------------|--------|---------------------------|------|------|------|------|
| | | 16.0 | 18.0 | 20.0 | 22.0 | 24.0 |
| (°CDB) | (°CWB) | TC | TC | TC | TC | TC |
| -15.0 | -16.0 | 1.54 | 1.50 | 1.46 | 1.43 | 1.39 |
| -10.0 | -11.0 | 1.91 | 1.87 | 1.82 | 1.78 | 1.73 |
| -5.0 | -7.0 | 2.27 | 2.22 | 2.17 | 2.11 | 2.06 |
| 0.0 | -2.0 | 2.68 | 2.61 | 2.55 | 2.48 | 2.42 |
| 5.0 | 3.0 | 2.94 | 2.87 | 2.80 | 2.73 | 2.66 |
| 7.0 | 6.0 | 2.94 | 2.87 | 2.80 | 2.73 | 2.66 |
| 10.0 | 8.0 | 2.94 | 2.87 | 2.80 | 2.73 | 2.66 |
| 15.0 | 10.0 | 2.94 | 2.87 | 2.80 | 2.73 | 2.66 |
| 20.0 | 15.0 | 2.94 | 2.87 | 2.80 | 2.73 | 2.66 |
| 24.0 | 18.0 | 2.94 | 2.87 | 2.80 | 2.73 | 2.66 |

Model: ASYG09KMCC

| Outdoor temperature | | Indoor temperature (°CDB) | | | | |
|---------------------|--------|---------------------------|------|------|------|------|
| | | 16.0 | 18.0 | 20.0 | 22.0 | 24.0 |
| (°CDB) | (°CWB) | TC | TC | TC | TC | TC |
| -15.0 | -16.0 | 1.97 | 1.93 | 1.88 | 1.83 | 1.79 |
| -10.0 | -11.0 | 2.46 | 2.40 | 2.34 | 2.28 | 2.22 |
| -5.0 | -7.0 | 2.92 | 2.86 | 2.79 | 2.72 | 2.65 |
| 0.0 | -2.0 | 3.44 | 3.36 | 3.28 | 3.19 | 3.11 |
| 5.0 | 3.0 | 3.78 | 3.69 | 3.60 | 3.51 | 3.42 |
| 7.0 | 6.0 | 3.78 | 3.69 | 3.60 | 3.51 | 3.42 |
| 10.0 | 8.0 | 3.78 | 3.69 | 3.60 | 3.51 | 3.42 |
| 15.0 | 10.0 | 3.78 | 3.69 | 3.60 | 3.51 | 3.42 |
| 20.0 | 15.0 | 3.78 | 3.69 | 3.60 | 3.51 | 3.42 |
| 24.0 | 18.0 | 3.78 | 3.69 | 3.60 | 3.51 | 3.42 |

Model: ASYG12KMCC

| Outdoor temperature | | Indoor temperature (°CDB) | | | | |
|---------------------|--------|---------------------------|------|------|------|------|
| | | 16.0 | 18.0 | 20.0 | 22.0 | 24.0 |
| (°CDB) | (°CWB) | TC | TC | TC | TC | TC |
| -15.0 | -16.0 | 2.63 | 2.57 | 2.51 | 2.44 | 2.38 |
| -10.0 | -11.0 | 3.28 | 3.20 | 3.12 | 3.04 | 2.97 |
| -5.0 | -7.0 | 3.90 | 3.81 | 3.71 | 3.62 | 3.53 |
| 0.0 | -2.0 | 4.59 | 4.48 | 4.37 | 4.26 | 4.15 |
| 5.0 | 3.0 | 5.04 | 4.92 | 4.80 | 4.68 | 4.56 |
| 7.0 | 6.0 | 5.04 | 4.92 | 4.80 | 4.68 | 4.56 |
| 10.0 | 8.0 | 5.04 | 4.92 | 4.80 | 4.68 | 4.56 |
| 15.0 | 10.0 | 5.04 | 4.92 | 4.80 | 4.68 | 4.56 |
| 20.0 | 15.0 | 5.04 | 4.92 | 4.80 | 4.68 | 4.56 |
| 24.0 | 18.0 | 5.04 | 4.92 | 4.80 | 4.68 | 4.56 |

Model: ASYG14KMCC

| Outdoor temperature | | Indoor temperature (°CDB) | | | | |
|---------------------|--------|---------------------------|------|------|------|------|
| | | 16.0 | 18.0 | 20.0 | 22.0 | 24.0 |
| (°CDB) | (°CWB) | TC | TC | TC | TC | TC |
| -15.0 | -16.0 | 3.07 | 3.00 | 2.93 | 2.85 | 2.78 |
| -10.0 | -11.0 | 3.82 | 3.73 | 3.64 | 3.55 | 3.46 |
| -5.0 | -7.0 | 4.55 | 4.44 | 4.33 | 4.22 | 4.12 |
| 0.0 | -2.0 | 5.35 | 5.22 | 5.10 | 4.97 | 4.84 |
| 5.0 | 3.0 | 5.88 | 5.74 | 5.60 | 5.46 | 5.32 |
| 7.0 | 6.0 | 5.88 | 5.74 | 5.60 | 5.46 | 5.32 |
| 10.0 | 8.0 | 5.88 | 5.74 | 5.60 | 5.46 | 5.32 |
| 15.0 | 10.0 | 5.88 | 5.74 | 5.60 | 5.46 | 5.32 |
| 20.0 | 15.0 | 5.88 | 5.74 | 5.60 | 5.46 | 5.32 |
| 24.0 | 18.0 | 5.88 | 5.74 | 5.60 | 5.46 | 5.32 |

Model: ASYG07KMCE

| Outdoor temperature | | Indoor temperature (°CDB) | | | | |
|---------------------|--------|---------------------------|------|------|------|------|
| | | 16.0 | 18.0 | 20.0 | 22.0 | 24.0 |
| (°CDB) | (°CWB) | TC | TC | TC | TC | TC |
| -15.0 | -16.0 | 1.54 | 1.50 | 1.46 | 1.43 | 1.39 |
| -10.0 | -11.0 | 1.91 | 1.87 | 1.82 | 1.78 | 1.73 |
| -5.0 | -7.0 | 2.27 | 2.22 | 2.17 | 2.11 | 2.06 |
| 0.0 | -2.0 | 2.68 | 2.61 | 2.55 | 2.48 | 2.42 |
| 5.0 | 3.0 | 2.94 | 2.87 | 2.80 | 2.73 | 2.66 |
| 7.0 | 6.0 | 2.94 | 2.87 | 2.80 | 2.73 | 2.66 |
| 10.0 | 8.0 | 2.94 | 2.87 | 2.80 | 2.73 | 2.66 |
| 15.0 | 10.0 | 2.94 | 2.87 | 2.80 | 2.73 | 2.66 |
| 20.0 | 15.0 | 2.94 | 2.87 | 2.80 | 2.73 | 2.66 |
| 24.0 | 18.0 | 2.94 | 2.87 | 2.80 | 2.73 | 2.66 |

Model: ASYG09KMCE

| Outdoor temperature | | Indoor temperature (°CDB) | | | | |
|---------------------|--------|---------------------------|------|------|------|------|
| | | 16.0 | 18.0 | 20.0 | 22.0 | 24.0 |
| (°CDB) | (°CWB) | TC | TC | TC | TC | TC |
| -15.0 | -16.0 | 1.97 | 1.93 | 1.88 | 1.83 | 1.79 |
| -10.0 | -11.0 | 2.46 | 2.40 | 2.34 | 2.28 | 2.22 |
| -5.0 | -7.0 | 2.92 | 2.86 | 2.79 | 2.72 | 2.65 |
| 0.0 | -2.0 | 3.44 | 3.36 | 3.28 | 3.19 | 3.11 |
| 5.0 | 3.0 | 3.78 | 3.69 | 3.60 | 3.51 | 3.42 |
| 7.0 | 6.0 | 3.78 | 3.69 | 3.60 | 3.51 | 3.42 |
| 10.0 | 8.0 | 3.78 | 3.69 | 3.60 | 3.51 | 3.42 |
| 15.0 | 10.0 | 3.78 | 3.69 | 3.60 | 3.51 | 3.42 |
| 20.0 | 15.0 | 3.78 | 3.69 | 3.60 | 3.51 | 3.42 |
| 24.0 | 18.0 | 3.78 | 3.69 | 3.60 | 3.51 | 3.42 |

Model: ASYG12KMCE

| Outdoor temperature | | Indoor temperature (°CDB) | | | | |
|---------------------|--------|---------------------------|------|------|------|------|
| | | 16.0 | 18.0 | 20.0 | 22.0 | 24.0 |
| (°CDB) | (°CWB) | TC | TC | TC | TC | TC |
| -15.0 | -16.0 | 2.63 | 2.57 | 2.51 | 2.44 | 2.38 |
| -10.0 | -11.0 | 3.28 | 3.20 | 3.12 | 3.04 | 2.97 |
| -5.0 | -7.0 | 3.90 | 3.81 | 3.71 | 3.62 | 3.53 |
| 0.0 | -2.0 | 4.59 | 4.48 | 4.37 | 4.26 | 4.15 |
| 5.0 | 3.0 | 5.04 | 4.92 | 4.80 | 4.68 | 4.56 |
| 7.0 | 6.0 | 5.04 | 4.92 | 4.80 | 4.68 | 4.56 |
| 10.0 | 8.0 | 5.04 | 4.92 | 4.80 | 4.68 | 4.56 |
| 15.0 | 10.0 | 5.04 | 4.92 | 4.80 | 4.68 | 4.56 |
| 20.0 | 15.0 | 5.04 | 4.92 | 4.80 | 4.68 | 4.56 |
| 24.0 | 18.0 | 5.04 | 4.92 | 4.80 | 4.68 | 4.56 |

Model: ASYG14KMCE

| Outdoor temperature | | Indoor temperature (°CDB) | | | | |
|---------------------|--------|---------------------------|------|------|------|------|
| | | 16.0 | 18.0 | 20.0 | 22.0 | 24.0 |
| (°CDB) | (°CWB) | TC | TC | TC | TC | TC |
| -15.0 | -16.0 | 3.07 | 3.00 | 2.93 | 2.85 | 2.78 |
| -10.0 | -11.0 | 3.82 | 3.73 | 3.64 | 3.55 | 3.46 |
| -5.0 | -7.0 | 4.55 | 4.44 | 4.33 | 4.22 | 4.12 |
| 0.0 | -2.0 | 5.35 | 5.22 | 5.10 | 4.97 | 4.84 |
| 5.0 | 3.0 | 5.88 | 5.74 | 5.60 | 5.46 | 5.32 |
| 7.0 | 6.0 | 5.88 | 5.74 | 5.60 | 5.46 | 5.32 |
| 10.0 | 8.0 | 5.88 | 5.74 | 5.60 | 5.46 | 5.32 |
| 15.0 | 10.0 | 5.88 | 5.74 | 5.60 | 5.46 | 5.32 |
| 20.0 | 15.0 | 5.88 | 5.74 | 5.60 | 5.46 | 5.32 |
| 24.0 | 18.0 | 5.88 | 5.74 | 5.60 | 5.46 | 5.32 |

Model: ASYG07KMCF

| Outdoor temperature | | Indoor temperature (°CDB) | | | | |
|---------------------|--------|---------------------------|------|------|------|------|
| | | 16.0 | 18.0 | 20.0 | 22.0 | 24.0 |
| (°CDB) | (°CWB) | TC | TC | TC | TC | TC |
| -15.0 | -16.0 | 1.54 | 1.50 | 1.46 | 1.43 | 1.39 |
| -10.0 | -11.0 | 1.91 | 1.87 | 1.82 | 1.78 | 1.73 |
| -5.0 | -7.0 | 2.27 | 2.22 | 2.17 | 2.11 | 2.06 |
| 0.0 | -2.0 | 2.68 | 2.61 | 2.55 | 2.48 | 2.42 |
| 5.0 | 3.0 | 2.94 | 2.87 | 2.80 | 2.73 | 2.66 |
| 7.0 | 6.0 | 2.94 | 2.87 | 2.80 | 2.73 | 2.66 |
| 10.0 | 8.0 | 2.94 | 2.87 | 2.80 | 2.73 | 2.66 |
| 15.0 | 10.0 | 2.94 | 2.87 | 2.80 | 2.73 | 2.66 |
| 20.0 | 15.0 | 2.94 | 2.87 | 2.80 | 2.73 | 2.66 |
| 24.0 | 18.0 | 2.94 | 2.87 | 2.80 | 2.73 | 2.66 |

Model: ASYG09KMCF

| Outdoor temperature | | Indoor temperature (°CDB) | | | | |
|---------------------|--------|---------------------------|------|------|------|------|
| | | 16.0 | 18.0 | 20.0 | 22.0 | 24.0 |
| (°CDB) | (°CWB) | TC | TC | TC | TC | TC |
| -15.0 | -16.0 | 1.97 | 1.93 | 1.88 | 1.83 | 1.79 |
| -10.0 | -11.0 | 2.46 | 2.40 | 2.34 | 2.28 | 2.22 |
| -5.0 | -7.0 | 2.92 | 2.86 | 2.79 | 2.72 | 2.65 |
| 0.0 | -2.0 | 3.44 | 3.36 | 3.28 | 3.19 | 3.11 |
| 5.0 | 3.0 | 3.78 | 3.69 | 3.60 | 3.51 | 3.42 |
| 7.0 | 6.0 | 3.78 | 3.69 | 3.60 | 3.51 | 3.42 |
| 10.0 | 8.0 | 3.78 | 3.69 | 3.60 | 3.51 | 3.42 |
| 15.0 | 10.0 | 3.78 | 3.69 | 3.60 | 3.51 | 3.42 |
| 20.0 | 15.0 | 3.78 | 3.69 | 3.60 | 3.51 | 3.42 |
| 24.0 | 18.0 | 3.78 | 3.69 | 3.60 | 3.51 | 3.42 |

Model: ASYG12KMCF

| Outdoor temperature | | Indoor temperature (°CDB) | | | | |
|---------------------|--------|---------------------------|------|------|------|------|
| | | 16.0 | 18.0 | 20.0 | 22.0 | 24.0 |
| (°CDB) | (°CWB) | TC | TC | TC | TC | TC |
| -15.0 | -16.0 | 2.63 | 2.57 | 2.51 | 2.44 | 2.38 |
| -10.0 | -11.0 | 3.28 | 3.20 | 3.12 | 3.04 | 2.97 |
| -5.0 | -7.0 | 3.90 | 3.81 | 3.71 | 3.62 | 3.53 |
| 0.0 | -2.0 | 4.59 | 4.48 | 4.37 | 4.26 | 4.15 |
| 5.0 | 3.0 | 5.04 | 4.92 | 4.80 | 4.68 | 4.56 |
| 7.0 | 6.0 | 5.04 | 4.92 | 4.80 | 4.68 | 4.56 |
| 10.0 | 8.0 | 5.04 | 4.92 | 4.80 | 4.68 | 4.56 |
| 15.0 | 10.0 | 5.04 | 4.92 | 4.80 | 4.68 | 4.56 |
| 20.0 | 15.0 | 5.04 | 4.92 | 4.80 | 4.68 | 4.56 |
| 24.0 | 18.0 | 5.04 | 4.92 | 4.80 | 4.68 | 4.56 |

Model: ASYG14KMCF

| Outdoor temperature | | Indoor temperature (°CDB) | | | | |
|---------------------|--------|---------------------------|------|------|------|------|
| | | 16.0 | 18.0 | 20.0 | 22.0 | 24.0 |
| (°CDB) | (°CWB) | TC | TC | TC | TC | TC |
| -15.0 | -16.0 | 3.07 | 3.00 | 2.93 | 2.85 | 2.78 |
| -10.0 | -11.0 | 3.82 | 3.73 | 3.64 | 3.55 | 3.46 |
| -5.0 | -7.0 | 4.55 | 4.44 | 4.33 | 4.22 | 4.12 |
| 0.0 | -2.0 | 5.35 | 5.22 | 5.10 | 4.97 | 4.84 |
| 5.0 | 3.0 | 5.88 | 5.74 | 5.60 | 5.46 | 5.32 |
| 7.0 | 6.0 | 5.88 | 5.74 | 5.60 | 5.46 | 5.32 |
| 10.0 | 8.0 | 5.88 | 5.74 | 5.60 | 5.46 | 5.32 |
| 15.0 | 10.0 | 5.88 | 5.74 | 5.60 | 5.46 | 5.32 |
| 20.0 | 15.0 | 5.88 | 5.74 | 5.60 | 5.46 | 5.32 |
| 24.0 | 18.0 | 5.88 | 5.74 | 5.60 | 5.46 | 5.32 |

Model: ASYG07KETA, ASYG07KETA-B

| Outdoor temperature | | Indoor temperature (°CDB) | | | | |
|---------------------|--------|---------------------------|------|------|------|------|
| | | 16.0 | 18.0 | 20.0 | 22.0 | 24.0 |
| (°CDB) | (°CWB) | TC | TC | TC | TC | TC |
| -15.0 | -16.0 | 1.54 | 1.50 | 1.46 | 1.43 | 1.39 |
| -10.0 | -11.0 | 1.91 | 1.87 | 1.82 | 1.78 | 1.73 |
| -5.0 | -7.0 | 2.27 | 2.22 | 2.17 | 2.11 | 2.06 |
| 0.0 | -2.0 | 2.68 | 2.61 | 2.55 | 2.48 | 2.42 |
| 5.0 | 3.0 | 2.94 | 2.87 | 2.80 | 2.73 | 2.66 |
| 7.0 | 6.0 | 2.94 | 2.87 | 2.80 | 2.73 | 2.66 |
| 10.0 | 8.0 | 2.94 | 2.87 | 2.80 | 2.73 | 2.66 |
| 15.0 | 10.0 | 2.94 | 2.87 | 2.80 | 2.73 | 2.66 |
| 20.0 | 15.0 | 2.94 | 2.87 | 2.80 | 2.73 | 2.66 |
| 24.0 | 18.0 | 2.94 | 2.87 | 2.80 | 2.73 | 2.66 |

Model: ASYG09KETA, ASYG09KETA-B

| Outdoor temperature | | Indoor temperature (°CDB) | | | | |
|---------------------|--------|---------------------------|------|------|------|------|
| | | 16.0 | 18.0 | 20.0 | 22.0 | 24.0 |
| (°CDB) | (°CWB) | TC | TC | TC | TC | TC |
| -15.0 | -16.0 | 1.97 | 1.93 | 1.88 | 1.83 | 1.79 |
| -10.0 | -11.0 | 2.46 | 2.40 | 2.34 | 2.28 | 2.22 |
| -5.0 | -7.0 | 2.92 | 2.86 | 2.79 | 2.72 | 2.65 |
| 0.0 | -2.0 | 3.44 | 3.36 | 3.28 | 3.19 | 3.11 |
| 5.0 | 3.0 | 3.78 | 3.69 | 3.60 | 3.51 | 3.42 |
| 7.0 | 6.0 | 3.78 | 3.69 | 3.60 | 3.51 | 3.42 |
| 10.0 | 8.0 | 3.78 | 3.69 | 3.60 | 3.51 | 3.42 |
| 15.0 | 10.0 | 3.78 | 3.69 | 3.60 | 3.51 | 3.42 |
| 20.0 | 15.0 | 3.78 | 3.69 | 3.60 | 3.51 | 3.42 |
| 24.0 | 18.0 | 3.78 | 3.69 | 3.60 | 3.51 | 3.42 |

Model: ASYG12KETA, ASYG12KETA-B

| Outdoor temperature | | Indoor temperature (°CDB) | | | | |
|---------------------|--------|---------------------------|------|------|------|------|
| | | 16.0 | 18.0 | 20.0 | 22.0 | 24.0 |
| (°CDB) | (°CWB) | TC | TC | TC | TC | TC |
| -15.0 | -16.0 | 2.63 | 2.57 | 2.51 | 2.44 | 2.38 |
| -10.0 | -11.0 | 3.28 | 3.20 | 3.12 | 3.04 | 2.97 |
| -5.0 | -7.0 | 3.90 | 3.81 | 3.71 | 3.62 | 3.53 |
| 0.0 | -2.0 | 4.59 | 4.48 | 4.37 | 4.26 | 4.15 |
| 5.0 | 3.0 | 5.04 | 4.92 | 4.80 | 4.68 | 4.56 |
| 7.0 | 6.0 | 5.04 | 4.92 | 4.80 | 4.68 | 4.56 |
| 10.0 | 8.0 | 5.04 | 4.92 | 4.80 | 4.68 | 4.56 |
| 15.0 | 10.0 | 5.04 | 4.92 | 4.80 | 4.68 | 4.56 |
| 20.0 | 15.0 | 5.04 | 4.92 | 4.80 | 4.68 | 4.56 |
| 24.0 | 18.0 | 5.04 | 4.92 | 4.80 | 4.68 | 4.56 |

Model: ASYG14KETA, ASYG14KETA-B

| Outdoor temperature | | Indoor temperature (°CDB) | | | | |
|---------------------|--------|---------------------------|------|------|------|------|
| | | 16.0 | 18.0 | 20.0 | 22.0 | 24.0 |
| (°CDB) | (°CWB) | TC | TC | TC | TC | TC |
| -15.0 | -16.0 | 3.07 | 3.00 | 2.93 | 2.85 | 2.78 |
| -10.0 | -11.0 | 3.82 | 3.73 | 3.64 | 3.55 | 3.46 |
| -5.0 | -7.0 | 4.55 | 4.44 | 4.33 | 4.22 | 4.12 |
| 0.0 | -2.0 | 5.35 | 5.22 | 5.10 | 4.97 | 4.84 |
| 5.0 | 3.0 | 5.88 | 5.74 | 5.60 | 5.46 | 5.32 |
| 7.0 | 6.0 | 5.88 | 5.74 | 5.60 | 5.46 | 5.32 |
| 10.0 | 8.0 | 5.88 | 5.74 | 5.60 | 5.46 | 5.32 |
| 15.0 | 10.0 | 5.88 | 5.74 | 5.60 | 5.46 | 5.32 |
| 20.0 | 15.0 | 5.88 | 5.74 | 5.60 | 5.46 | 5.32 |
| 24.0 | 18.0 | 5.88 | 5.74 | 5.60 | 5.46 | 5.32 |

Model: ASYG07KETE, ASYG07KETE-B

| Outdoor temperature | | Indoor temperature (°CDB) | | | | |
|---------------------|--------|---------------------------|------|------|------|------|
| | | 16.0 | 18.0 | 20.0 | 22.0 | 24.0 |
| (°CDB) | (°CWB) | TC | TC | TC | TC | TC |
| -15.0 | -16.0 | 1.54 | 1.50 | 1.46 | 1.43 | 1.39 |
| -10.0 | -11.0 | 1.91 | 1.87 | 1.82 | 1.78 | 1.73 |
| -5.0 | -7.0 | 2.27 | 2.22 | 2.17 | 2.11 | 2.06 |
| 0.0 | -2.0 | 2.68 | 2.61 | 2.55 | 2.48 | 2.42 |
| 5.0 | 3.0 | 2.94 | 2.87 | 2.80 | 2.73 | 2.66 |
| 7.0 | 6.0 | 2.94 | 2.87 | 2.80 | 2.73 | 2.66 |
| 10.0 | 8.0 | 2.94 | 2.87 | 2.80 | 2.73 | 2.66 |
| 15.0 | 10.0 | 2.94 | 2.87 | 2.80 | 2.73 | 2.66 |
| 20.0 | 15.0 | 2.94 | 2.87 | 2.80 | 2.73 | 2.66 |
| 24.0 | 18.0 | 2.94 | 2.87 | 2.80 | 2.73 | 2.66 |

Model: ASYG09KETE, ASYG09KETE-B

| Outdoor temperature | | Indoor temperature (°CDB) | | | | |
|---------------------|--------|---------------------------|------|------|------|------|
| | | 16.0 | 18.0 | 20.0 | 22.0 | 24.0 |
| (°CDB) | (°CWB) | TC | TC | TC | TC | TC |
| -15.0 | -16.0 | 1.97 | 1.93 | 1.88 | 1.83 | 1.79 |
| -10.0 | -11.0 | 2.46 | 2.40 | 2.34 | 2.28 | 2.22 |
| -5.0 | -7.0 | 2.92 | 2.86 | 2.79 | 2.72 | 2.65 |
| 0.0 | -2.0 | 3.44 | 3.36 | 3.28 | 3.19 | 3.11 |
| 5.0 | 3.0 | 3.78 | 3.69 | 3.60 | 3.51 | 3.42 |
| 7.0 | 6.0 | 3.78 | 3.69 | 3.60 | 3.51 | 3.42 |
| 10.0 | 8.0 | 3.78 | 3.69 | 3.60 | 3.51 | 3.42 |
| 15.0 | 10.0 | 3.78 | 3.69 | 3.60 | 3.51 | 3.42 |
| 20.0 | 15.0 | 3.78 | 3.69 | 3.60 | 3.51 | 3.42 |
| 24.0 | 18.0 | 3.78 | 3.69 | 3.60 | 3.51 | 3.42 |

Model: ASYG12KETE, ASYG12KETE-B

| Outdoor temperature | | Indoor temperature (°CDB) | | | | |
|---------------------|--------|---------------------------|------|------|------|------|
| | | 16.0 | 18.0 | 20.0 | 22.0 | 24.0 |
| (°CDB) | (°CWB) | TC | TC | TC | TC | TC |
| -15.0 | -16.0 | 2.63 | 2.57 | 2.51 | 2.44 | 2.38 |
| -10.0 | -11.0 | 3.28 | 3.20 | 3.12 | 3.04 | 2.97 |
| -5.0 | -7.0 | 3.90 | 3.81 | 3.71 | 3.62 | 3.53 |
| 0.0 | -2.0 | 4.59 | 4.48 | 4.37 | 4.26 | 4.15 |
| 5.0 | 3.0 | 5.04 | 4.92 | 4.80 | 4.68 | 4.56 |
| 7.0 | 6.0 | 5.04 | 4.92 | 4.80 | 4.68 | 4.56 |
| 10.0 | 8.0 | 5.04 | 4.92 | 4.80 | 4.68 | 4.56 |
| 15.0 | 10.0 | 5.04 | 4.92 | 4.80 | 4.68 | 4.56 |
| 20.0 | 15.0 | 5.04 | 4.92 | 4.80 | 4.68 | 4.56 |
| 24.0 | 18.0 | 5.04 | 4.92 | 4.80 | 4.68 | 4.56 |

Model: ASYG14KETE, ASYG14KETE-B

| Outdoor temperature | | Indoor temperature (°CDB) | | | | |
|---------------------|--------|---------------------------|------|------|------|------|
| | | 16.0 | 18.0 | 20.0 | 22.0 | 24.0 |
| (°CDB) | (°CWB) | TC | TC | TC | TC | TC |
| -15.0 | -16.0 | 3.07 | 3.00 | 2.93 | 2.85 | 2.78 |
| -10.0 | -11.0 | 3.82 | 3.73 | 3.64 | 3.55 | 3.46 |
| -5.0 | -7.0 | 4.55 | 4.44 | 4.33 | 4.22 | 4.12 |
| 0.0 | -2.0 | 5.35 | 5.22 | 5.10 | 4.97 | 4.84 |
| 5.0 | 3.0 | 5.88 | 5.74 | 5.60 | 5.46 | 5.32 |
| 7.0 | 6.0 | 5.88 | 5.74 | 5.60 | 5.46 | 5.32 |
| 10.0 | 8.0 | 5.88 | 5.74 | 5.60 | 5.46 | 5.32 |
| 15.0 | 10.0 | 5.88 | 5.74 | 5.60 | 5.46 | 5.32 |
| 20.0 | 15.0 | 5.88 | 5.74 | 5.60 | 5.46 | 5.32 |
| 24.0 | 18.0 | 5.88 | 5.74 | 5.60 | 5.46 | 5.32 |

Model: ASYG07KETF, ASYG07KETF-B

| Outdoor temperature | | Indoor temperature (°CDB) | | | | |
|---------------------|--------|---------------------------|------|------|------|------|
| | | 16.0 | 18.0 | 20.0 | 22.0 | 24.0 |
| (°CDB) | (°CWB) | TC | TC | TC | TC | TC |
| -15.0 | -16.0 | 1.54 | 1.50 | 1.46 | 1.43 | 1.39 |
| -10.0 | -11.0 | 1.91 | 1.87 | 1.82 | 1.78 | 1.73 |
| -5.0 | -7.0 | 2.27 | 2.22 | 2.17 | 2.11 | 2.06 |
| 0.0 | -2.0 | 2.68 | 2.61 | 2.55 | 2.48 | 2.42 |
| 5.0 | 3.0 | 2.94 | 2.87 | 2.80 | 2.73 | 2.66 |
| 7.0 | 6.0 | 2.94 | 2.87 | 2.80 | 2.73 | 2.66 |
| 10.0 | 8.0 | 2.94 | 2.87 | 2.80 | 2.73 | 2.66 |
| 15.0 | 10.0 | 2.94 | 2.87 | 2.80 | 2.73 | 2.66 |
| 20.0 | 15.0 | 2.94 | 2.87 | 2.80 | 2.73 | 2.66 |
| 24.0 | 18.0 | 2.94 | 2.87 | 2.80 | 2.73 | 2.66 |

Model: ASYG09KETF, ASYG09KETF-B

| Outdoor temperature | | Indoor temperature (°CDB) | | | | |
|---------------------|--------|---------------------------|------|------|------|------|
| | | 16.0 | 18.0 | 20.0 | 22.0 | 24.0 |
| (°CDB) | (°CWB) | TC | TC | TC | TC | TC |
| -15.0 | -16.0 | 1.97 | 1.93 | 1.88 | 1.83 | 1.79 |
| -10.0 | -11.0 | 2.46 | 2.40 | 2.34 | 2.28 | 2.22 |
| -5.0 | -7.0 | 2.92 | 2.86 | 2.79 | 2.72 | 2.65 |
| 0.0 | -2.0 | 3.44 | 3.36 | 3.28 | 3.19 | 3.11 |
| 5.0 | 3.0 | 3.78 | 3.69 | 3.60 | 3.51 | 3.42 |
| 7.0 | 6.0 | 3.78 | 3.69 | 3.60 | 3.51 | 3.42 |
| 10.0 | 8.0 | 3.78 | 3.69 | 3.60 | 3.51 | 3.42 |
| 15.0 | 10.0 | 3.78 | 3.69 | 3.60 | 3.51 | 3.42 |
| 20.0 | 15.0 | 3.78 | 3.69 | 3.60 | 3.51 | 3.42 |
| 24.0 | 18.0 | 3.78 | 3.69 | 3.60 | 3.51 | 3.42 |

Model: ASYG12KETF, ASYG12KETF-B

| Outdoor temperature | | Indoor temperature (°CDB) | | | | |
|---------------------|--------|---------------------------|------|------|------|------|
| | | 16.0 | 18.0 | 20.0 | 22.0 | 24.0 |
| (°CDB) | (°CWB) | TC | TC | TC | TC | TC |
| -15.0 | -16.0 | 2.63 | 2.57 | 2.51 | 2.44 | 2.38 |
| -10.0 | -11.0 | 3.28 | 3.20 | 3.12 | 3.04 | 2.97 |
| -5.0 | -7.0 | 3.90 | 3.81 | 3.71 | 3.62 | 3.53 |
| 0.0 | -2.0 | 4.59 | 4.48 | 4.37 | 4.26 | 4.15 |
| 5.0 | 3.0 | 5.04 | 4.92 | 4.80 | 4.68 | 4.56 |
| 7.0 | 6.0 | 5.04 | 4.92 | 4.80 | 4.68 | 4.56 |
| 10.0 | 8.0 | 5.04 | 4.92 | 4.80 | 4.68 | 4.56 |
| 15.0 | 10.0 | 5.04 | 4.92 | 4.80 | 4.68 | 4.56 |
| 20.0 | 15.0 | 5.04 | 4.92 | 4.80 | 4.68 | 4.56 |
| 24.0 | 18.0 | 5.04 | 4.92 | 4.80 | 4.68 | 4.56 |

Model: ASYG14KETF, ASYG14KETF-B

| Outdoor temperature | | Indoor temperature (°CDB) | | | | |
|---------------------|--------|---------------------------|------|------|------|------|
| | | 16.0 | 18.0 | 20.0 | 22.0 | 24.0 |
| (°CDB) | (°CWB) | TC | TC | TC | TC | TC |
| -15.0 | -16.0 | 3.07 | 3.00 | 2.93 | 2.85 | 2.78 |
| -10.0 | -11.0 | 3.82 | 3.73 | 3.64 | 3.55 | 3.46 |
| -5.0 | -7.0 | 4.55 | 4.44 | 4.33 | 4.22 | 4.12 |
| 0.0 | -2.0 | 5.35 | 5.22 | 5.10 | 4.97 | 4.84 |
| 5.0 | 3.0 | 5.88 | 5.74 | 5.60 | 5.46 | 5.32 |
| 7.0 | 6.0 | 5.88 | 5.74 | 5.60 | 5.46 | 5.32 |
| 10.0 | 8.0 | 5.88 | 5.74 | 5.60 | 5.46 | 5.32 |
| 15.0 | 10.0 | 5.88 | 5.74 | 5.60 | 5.46 | 5.32 |
| 20.0 | 15.0 | 5.88 | 5.74 | 5.60 | 5.46 | 5.32 |
| 24.0 | 18.0 | 5.88 | 5.74 | 5.60 | 5.46 | 5.32 |

NOTES:

- TC: Total Capacity (kW)
- Values mentioned in the table are based on the following conditions:
 - Pipe length: 5 m, Height difference: 0 m (Outdoor unit—Indoor unit)

● Ceiling type

Model: ABYG18KRTA

| Outdoor temperature | | Indoor temperature (°CDB) | | | | |
|---------------------|--------|---------------------------|------|------|------|------|
| | | 16.0 | 18.0 | 20.0 | 22.0 | 24.0 |
| (°CDB) | (°CWB) | TC | TC | TC | TC | TC |
| -15.0 | -16.0 | 3.69 | 3.60 | 3.51 | 3.42 | 3.33 |
| -10.0 | -11.0 | 4.59 | 4.48 | 4.37 | 4.26 | 4.15 |
| -5.0 | -7.0 | 5.46 | 5.33 | 5.20 | 5.07 | 4.94 |
| 0.0 | -2.0 | 6.42 | 6.27 | 6.11 | 5.96 | 5.81 |
| 5.0 | 3.0 | 7.06 | 6.89 | 6.72 | 6.55 | 6.38 |
| 7.0 | 6.0 | 7.06 | 6.89 | 6.72 | 6.55 | 6.38 |
| 10.0 | 8.0 | 7.06 | 6.89 | 6.72 | 6.55 | 6.38 |
| 15.0 | 10.0 | 7.06 | 6.89 | 6.72 | 6.55 | 6.38 |
| 20.0 | 15.0 | 7.06 | 6.89 | 6.72 | 6.55 | 6.38 |
| 24.0 | 18.0 | 7.06 | 6.89 | 6.72 | 6.55 | 6.38 |

Model: ABYG22KRTA

| Outdoor temperature | | Indoor temperature (°CDB) | | | | |
|---------------------|--------|---------------------------|------|------|------|------|
| | | 16.0 | 18.0 | 20.0 | 22.0 | 24.0 |
| (°CDB) | (°CWB) | TC | TC | TC | TC | TC |
| -15.0 | -16.0 | 4.66 | 4.55 | 4.44 | 4.33 | 4.22 |
| -10.0 | -11.0 | 5.80 | 5.67 | 5.53 | 5.39 | 5.25 |
| -5.0 | -7.0 | 6.91 | 6.74 | 6.58 | 6.41 | 6.25 |
| 0.0 | -2.0 | 8.12 | 7.93 | 7.73 | 7.54 | 7.35 |
| 5.0 | 3.0 | 8.93 | 8.71 | 8.50 | 8.29 | 8.08 |
| 7.0 | 6.0 | 8.93 | 8.71 | 8.50 | 8.29 | 8.08 |
| 10.0 | 8.0 | 8.93 | 8.71 | 8.50 | 8.29 | 8.08 |
| 15.0 | 10.0 | 8.93 | 8.71 | 8.50 | 8.29 | 8.08 |
| 20.0 | 15.0 | 8.93 | 8.71 | 8.50 | 8.29 | 8.08 |
| 24.0 | 18.0 | 8.93 | 8.71 | 8.50 | 8.29 | 8.08 |

NOTES:

- TC: Total Capacity (kW)
- Values mentioned in the table are based on the following conditions:
 - Pipe length: 5 m, Height difference: 0 m (Outdoor unit—Indoor unit)

● Floor type

Model: AGYG09KVCA

| Outdoor temperature | | Indoor temperature (°CDB) | | | | |
|---------------------|--------|---------------------------|------|------|------|------|
| | | 16.0 | 18.0 | 20.0 | 22.0 | 24.0 |
| (°CDB) | (°CWB) | TC | TC | TC | TC | TC |
| -15.0 | -16.0 | 1.97 | 1.93 | 1.88 | 1.83 | 1.79 |
| -10.0 | -11.0 | 2.46 | 2.40 | 2.34 | 2.28 | 2.22 |
| -5.0 | -7.0 | 2.92 | 2.86 | 2.79 | 2.72 | 2.65 |
| 0.0 | -2.0 | 3.44 | 3.36 | 3.28 | 3.19 | 3.11 |
| 5.0 | 3.0 | 3.78 | 3.69 | 3.60 | 3.51 | 3.42 |
| 7.0 | 6.0 | 3.78 | 3.69 | 3.60 | 3.51 | 3.42 |
| 10.0 | 8.0 | 3.78 | 3.69 | 3.60 | 3.51 | 3.42 |
| 15.0 | 10.0 | 3.78 | 3.69 | 3.60 | 3.51 | 3.42 |
| 20.0 | 15.0 | 3.78 | 3.69 | 3.60 | 3.51 | 3.42 |
| 24.0 | 18.0 | 3.78 | 3.69 | 3.60 | 3.51 | 3.42 |

Model: AGYG12KVCA

| Outdoor temperature | | Indoor temperature (°CDB) | | | | |
|---------------------|--------|---------------------------|------|------|------|------|
| | | 16.0 | 18.0 | 20.0 | 22.0 | 24.0 |
| (°CDB) | (°CWB) | TC | TC | TC | TC | TC |
| -15.0 | -16.0 | 2.63 | 2.57 | 2.51 | 2.44 | 2.38 |
| -10.0 | -11.0 | 3.28 | 3.20 | 3.12 | 3.04 | 2.97 |
| -5.0 | -7.0 | 3.90 | 3.81 | 3.71 | 3.62 | 3.53 |
| 0.0 | -2.0 | 4.59 | 4.48 | 4.37 | 4.26 | 4.15 |
| 5.0 | 3.0 | 5.04 | 4.92 | 4.80 | 4.68 | 4.56 |
| 7.0 | 6.0 | 5.04 | 4.92 | 4.80 | 4.68 | 4.56 |
| 10.0 | 8.0 | 5.04 | 4.92 | 4.80 | 4.68 | 4.56 |
| 15.0 | 10.0 | 5.04 | 4.92 | 4.80 | 4.68 | 4.56 |
| 20.0 | 15.0 | 5.04 | 4.92 | 4.80 | 4.68 | 4.56 |
| 24.0 | 18.0 | 5.04 | 4.92 | 4.80 | 4.68 | 4.56 |

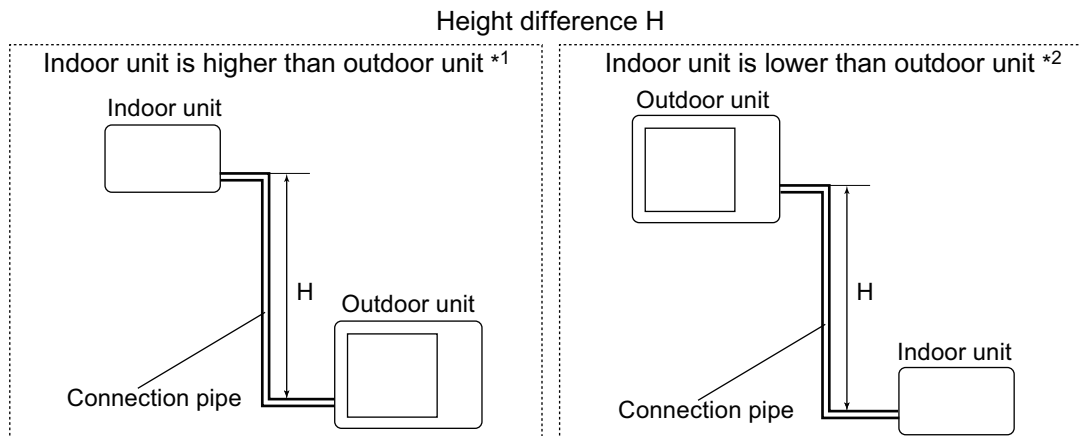
Model: AGYG14KVCA

| Outdoor temperature | | Indoor temperature (°CDB) | | | | |
|---------------------|--------|---------------------------|------|------|------|------|
| | | 16.0 | 18.0 | 20.0 | 22.0 | 24.0 |
| (°CDB) | (°CWB) | TC | TC | TC | TC | TC |
| -15.0 | -16.0 | 3.07 | 3.00 | 2.93 | 2.85 | 2.78 |
| -10.0 | -11.0 | 3.82 | 3.73 | 3.64 | 3.55 | 3.46 |
| -5.0 | -7.0 | 4.55 | 4.44 | 4.33 | 4.22 | 4.12 |
| 0.0 | -2.0 | 5.35 | 5.22 | 5.10 | 4.97 | 4.84 |
| 5.0 | 3.0 | 5.88 | 5.74 | 5.60 | 5.46 | 5.32 |
| 7.0 | 6.0 | 5.88 | 5.74 | 5.60 | 5.46 | 5.32 |
| 10.0 | 8.0 | 5.88 | 5.74 | 5.60 | 5.46 | 5.32 |
| 15.0 | 10.0 | 5.88 | 5.74 | 5.60 | 5.46 | 5.32 |
| 20.0 | 15.0 | 5.88 | 5.74 | 5.60 | 5.46 | 5.32 |
| 24.0 | 18.0 | 5.88 | 5.74 | 5.60 | 5.46 | 5.32 |

NOTES:

- TC: Total Capacity (kW)
- Values mentioned in the table are based on the following conditions:
 - Pipe length: 5 m, Height difference: 0 m (Outdoor unit—Indoor unit)

7. Capacity compensation rate for pipe length and height difference



OUTDOOR UNIT
AOYG30KBTA4

OUTDOOR UNIT
AOYG30KBTA4

7-1. Model: AOYG30KBTA4

NOTE: Values mentioned in the table are calculated based on the maximum capacity.

■ Indoor unit: 7,000 Btu/h

| Cooling | | Pipe length | | | | | | |
|-------------------------|--|-------------|-------|-------|-------|-------|-------|-------|
| | | m | 2.5 | 5 | 10 | 15 | 20 | 25 |
| Height difference H (m) | Indoor unit is higher than outdoor unit *1 | 15 | — | — | — | 0.955 | 0.941 | 0.927 |
| | | 10 | — | — | 0.976 | 0.962 | 0.949 | 0.935 |
| | | 5 | — | 0.992 | 0.984 | 0.970 | 0.956 | 0.942 |
| | | 2.5 | 0.999 | 0.996 | 0.988 | 0.974 | 0.960 | 0.946 |
| | Indoor unit is lower than outdoor unit *2 | 0 | 1.003 | 1.000 | 0.992 | 0.978 | 0.964 | 0.950 |
| | | -2.5 | 1.003 | 1.000 | 0.992 | 0.978 | 0.964 | 0.950 |
| | | -5 | — | 1.000 | 0.992 | 0.978 | 0.964 | 0.950 |
| | | -10 | — | — | 0.992 | 0.978 | 0.964 | 0.950 |
| | | -15 | — | — | — | 0.978 | 0.964 | 0.950 |

| Heating | | Pipe length | | | | | | |
|-------------------------|--|-------------|-------|-------|-------|-------|-------|-------|
| | | m | 2.5 | 5 | 10 | 15 | 20 | 25 |
| Height difference H (m) | Indoor unit is higher than outdoor unit *1 | 15 | — | — | — | 0.976 | 0.957 | 0.938 |
| | | 10 | — | — | 0.991 | 0.976 | 0.957 | 0.938 |
| | | 5 | — | 1.000 | 0.991 | 0.976 | 0.957 | 0.938 |
| | | 2.5 | 0.990 | 1.000 | 0.991 | 0.976 | 0.957 | 0.938 |
| | Indoor unit is lower than outdoor unit *2 | 0 | 0.990 | 1.000 | 0.991 | 0.976 | 0.957 | 0.938 |
| | | -2.5 | 0.988 | 0.997 | 0.989 | 0.974 | 0.955 | 0.936 |
| | | -5 | — | 0.995 | 0.986 | 0.971 | 0.952 | 0.933 |
| | | -10 | — | — | 0.981 | 0.966 | 0.947 | 0.929 |
| | | -15 | — | — | — | 0.961 | 0.943 | 0.924 |

Indoor unit: 9,000 Btu/h

| Cooling | | Pipe length | | | | | | |
|-------------------------|--|-------------|-------|-------|-------|-------|-------|-------|
| | | m | 2.5 | 5 | 10 | 15 | 20 | 25 |
| Height difference H (m) | Indoor unit is higher than outdoor unit *1 | 15 | — | — | — | 0.956 | 0.942 | 0.928 |
| | | 10 | — | — | 0.977 | 0.963 | 0.950 | 0.936 |
| | | 5 | — | 0.992 | 0.985 | 0.971 | 0.957 | 0.943 |
| | | 2.5 | 1.003 | 0.996 | 0.989 | 0.975 | 0.961 | 0.947 |
| | Indoor unit is lower than outdoor unit *2 | 0 | 1.007 | 1.000 | 0.993 | 0.979 | 0.965 | 0.951 |
| | | -2.5 | 1.007 | 1.000 | 0.993 | 0.979 | 0.965 | 0.951 |
| | | -5 | — | 1.000 | 0.993 | 0.979 | 0.965 | 0.951 |
| | | -10 | — | — | 0.993 | 0.979 | 0.965 | 0.951 |
| | | -15 | — | — | — | 0.979 | 0.965 | 0.951 |

| Heating | | Pipe length | | | | | | |
|-------------------------|--|-------------|-------|-------|-------|-------|-------|-------|
| | | m | 2.5 | 5 | 10 | 15 | 20 | 25 |
| Height difference H (m) | Indoor unit is higher than outdoor unit *1 | 15 | — | — | — | 0.977 | 0.958 | 0.939 |
| | | 10 | — | — | 0.993 | 0.977 | 0.958 | 0.939 |
| | | 5 | — | 1.000 | 0.993 | 0.977 | 0.958 | 0.939 |
| | | 2.5 | 0.993 | 1.000 | 0.993 | 0.977 | 0.958 | 0.939 |
| | Indoor unit is lower than outdoor unit *2 | 0 | 0.993 | 1.000 | 0.993 | 0.977 | 0.958 | 0.939 |
| | | -2.5 | 0.991 | 0.997 | 0.991 | 0.975 | 0.956 | 0.937 |
| | | -5 | — | 0.995 | 0.988 | 0.972 | 0.954 | 0.934 |
| | | -10 | — | — | 0.983 | 0.967 | 0.949 | 0.930 |
| | | -15 | — | — | — | 0.962 | 0.944 | 0.925 |

Indoor unit: 12,000 Btu/h

| Cooling | | Pipe length | | | | | | |
|-------------------------|--|-------------|-------|-------|-------|-------|-------|-------|
| | | m | 2.5 | 5 | 10 | 15 | 20 | 25 |
| Height difference H (m) | Indoor unit is higher than outdoor unit *1 | 15 | — | — | — | 0.937 | 0.912 | 0.888 |
| | | 10 | — | — | 0.970 | 0.944 | 0.919 | 0.896 |
| | | 5 | — | 0.992 | 0.978 | 0.952 | 0.927 | 0.903 |
| | | 2.5 | 1.010 | 0.996 | 0.982 | 0.956 | 0.930 | 0.907 |
| | Indoor unit is lower than outdoor unit *2 | 0 | 1.014 | 1.000 | 0.986 | 0.960 | 0.934 | 0.910 |
| | | -2.5 | 1.014 | 1.000 | 0.986 | 0.960 | 0.934 | 0.910 |
| | | -5 | — | 1.000 | 0.986 | 0.960 | 0.934 | 0.910 |
| | | -10 | — | — | 0.986 | 0.960 | 0.934 | 0.910 |
| | | -15 | — | — | — | 0.960 | 0.934 | 0.910 |

| Heating | | Pipe length | | | | | | |
|-------------------------|--|-------------|-------|-------|-------|-------|-------|-------|
| | | m | 2.5 | 5 | 10 | 15 | 20 | 25 |
| Height difference H (m) | Indoor unit is higher than outdoor unit *1 | 15 | — | — | — | 0.977 | 0.958 | 0.938 |
| | | 10 | — | — | 0.993 | 0.977 | 0.958 | 0.938 |
| | | 5 | — | 1.000 | 0.993 | 0.977 | 0.958 | 0.938 |
| | | 2.5 | 0.995 | 1.000 | 0.993 | 0.977 | 0.958 | 0.938 |
| | Indoor unit is lower than outdoor unit *2 | 0 | 0.995 | 1.000 | 0.993 | 0.977 | 0.958 | 0.938 |
| | | -2.5 | 0.993 | 0.997 | 0.991 | 0.975 | 0.956 | 0.936 |
| | | -5 | — | 0.995 | 0.988 | 0.972 | 0.953 | 0.933 |
| | | -10 | — | — | 0.983 | 0.967 | 0.949 | 0.929 |
| | | -15 | — | — | — | 0.962 | 0.944 | 0.924 |

Indoor unit: 14,000 Btu/h

| Cooling | | Pipe length | | | | | | |
|-------------------------|--|-------------|-------|-------|-------|-------|-------|-------|
| | | m | 2.5 | 5 | 10 | 15 | 20 | 25 |
| Height difference H (m) | Indoor unit is higher than outdoor unit *1 | 15 | — | — | — | 0.955 | 0.937 | 0.922 |
| | | 10 | — | — | 0.974 | 0.962 | 0.945 | 0.930 |
| | | 5 | — | 0.992 | 0.982 | 0.970 | 0.952 | 0.937 |
| | | 2.5 | 0.999 | 0.996 | 0.986 | 0.974 | 0.956 | 0.941 |
| | Indoor unit is lower than outdoor unit *2 | 0 | 1.005 | 1.000 | 0.990 | 0.978 | 0.960 | 0.945 |
| | | -2.5 | 1.005 | 1.000 | 0.990 | 0.978 | 0.960 | 0.945 |
| | | -5 | — | 1.000 | 0.990 | 0.978 | 0.960 | 0.945 |
| | | -10 | — | — | 0.990 | 0.978 | 0.960 | 0.945 |
| | | -15 | — | — | — | 0.978 | 0.960 | 0.945 |

| Heating | | Pipe length | | | | | | |
|-------------------------|--|-------------|-------|-------|-------|-------|-------|-------|
| | | m | 2.5 | 5 | 10 | 15 | 20 | 25 |
| Height difference H (m) | Indoor unit is higher than outdoor unit *1 | 15 | — | — | — | 0.972 | 0.945 | 0.919 |
| | | 10 | — | — | 0.992 | 0.972 | 0.945 | 0.919 |
| | | 5 | — | 1.000 | 0.992 | 0.972 | 0.945 | 0.919 |
| | | 2.5 | 1.000 | 1.000 | 0.992 | 0.972 | 0.945 | 0.919 |
| | Indoor unit is lower than outdoor unit *2 | 0 | 1.000 | 1.000 | 0.992 | 0.972 | 0.945 | 0.919 |
| | | -2.5 | 0.998 | 0.997 | 0.990 | 0.970 | 0.943 | 0.917 |
| | | -5 | — | 0.995 | 0.987 | 0.967 | 0.940 | 0.914 |
| | | -10 | — | — | 0.982 | 0.962 | 0.935 | 0.910 |
| | | -15 | — | — | — | 0.957 | 0.930 | 0.905 |

Indoor unit: 18,000 Btu/h

| Cooling | | Pipe length | | | | | | |
|-------------------------|--|-------------|-------|-------|-------|-------|-------|-------|
| | | m | 2.5 | 5 | 10 | 15 | 20 | 25 |
| Height difference H (m) | Indoor unit is higher than outdoor unit *1 | 15 | — | — | — | 0.968 | 0.961 | 0.954 |
| | | 10 | — | — | 0.982 | 0.976 | 0.969 | 0.962 |
| | | 5 | — | 0.992 | 0.990 | 0.984 | 0.977 | 0.970 |
| | | 2.5 | 0.998 | 0.996 | 0.994 | 0.988 | 0.981 | 0.974 |
| | Indoor unit is lower than outdoor unit *2 | 0 | 1.002 | 1.000 | 0.998 | 0.992 | 0.985 | 0.978 |
| | | -2.5 | 1.002 | 1.000 | 0.998 | 0.992 | 0.985 | 0.978 |
| | | -5 | — | 1.000 | 0.998 | 0.992 | 0.985 | 0.978 |
| | | -10 | — | — | 0.998 | 0.992 | 0.985 | 0.978 |
| | | -15 | — | — | — | 0.992 | 0.985 | 0.978 |

| Heating | | Pipe length | | | | | | |
|-------------------------|--|-------------|-------|-------|-------|-------|-------|-------|
| | | m | 2.5 | 5 | 10 | 15 | 20 | 25 |
| Height difference H (m) | Indoor unit is higher than outdoor unit *1 | 15 | — | — | — | 0.967 | 0.943 | 0.917 |
| | | 10 | — | — | 0.990 | 0.967 | 0.943 | 0.917 |
| | | 5 | — | 1.000 | 0.990 | 0.967 | 0.943 | 0.917 |
| | | 2.5 | 1.010 | 1.000 | 0.990 | 0.967 | 0.943 | 0.917 |
| | Indoor unit is lower than outdoor unit *2 | 0 | 1.010 | 1.000 | 0.990 | 0.967 | 0.943 | 0.917 |
| | | -2.5 | 1.008 | 0.997 | 0.988 | 0.965 | 0.941 | 0.915 |
| | | -5 | — | 0.995 | 0.985 | 0.962 | 0.938 | 0.912 |
| | | -10 | — | — | 0.980 | 0.958 | 0.933 | 0.908 |
| | | -15 | — | — | — | 0.953 | 0.929 | 0.903 |

Indoor unit: 22,000 Btu/h

| Cooling | | Pipe length | | | | | | |
|-------------------------|--|-------------|-------|-------|-------|-------|-------|-------|
| | | m | 2.5 | 5 | 10 | 15 | 20 | 25 |
| Height difference H (m) | Indoor unit is higher than outdoor unit *1 | 15 | — | — | — | 0.978 | 0.969 | 0.953 |
| | | 10 | — | — | 0.986 | 0.986 | 0.977 | 0.961 |
| | | 5 | — | 0.992 | 0.994 | 0.994 | 0.984 | 0.968 |
| | | 2.5 | 0.993 | 0.996 | 0.998 | 0.998 | 0.988 | 0.972 |
| | Indoor unit is lower than outdoor unit *2 | 0 | 0.997 | 1.000 | 1.002 | 1.002 | 0.992 | 0.976 |
| | | -2.5 | 0.997 | 1.000 | 1.002 | 1.002 | 0.992 | 0.976 |
| | | -5 | — | 1.000 | 1.002 | 1.002 | 0.992 | 0.976 |
| | | -10 | — | — | 1.002 | 1.002 | 0.992 | 0.976 |
| | | -15 | — | — | — | 1.002 | 0.992 | 0.976 |

| Heating | | Pipe length | | | | | | |
|-------------------------|--|-------------|-------|-------|-------|-------|-------|-------|
| | | m | 2.5 | 5 | 10 | 15 | 20 | 25 |
| Height difference H (m) | Indoor unit is higher than outdoor unit *1 | 15 | — | — | — | 0.964 | 0.939 | 0.913 |
| | | 10 | — | — | 0.988 | 0.964 | 0.939 | 0.913 |
| | | 5 | — | 1.000 | 0.988 | 0.964 | 0.939 | 0.913 |
| | | 2.5 | 1.008 | 1.000 | 0.988 | 0.964 | 0.939 | 0.913 |
| | Indoor unit is lower than outdoor unit *2 | 0 | 1.008 | 1.000 | 0.988 | 0.964 | 0.939 | 0.913 |
| | | -2.5 | 1.006 | 0.997 | 0.986 | 0.962 | 0.937 | 0.911 |
| | | -5 | — | 0.995 | 0.983 | 0.959 | 0.934 | 0.909 |
| | | -10 | — | — | 0.978 | 0.954 | 0.929 | 0.904 |
| | | -15 | — | — | — | 0.949 | 0.925 | 0.899 |

Indoor unit: 24,000 Btu/h

| Cooling | | Pipe length | | | | | | |
|-------------------------|--|-------------|-------|-------|-------|-------|-------|-------|
| | | m | 2.5 | 5 | 10 | 15 | 20 | 25 |
| Height difference H (m) | Indoor unit is higher than outdoor unit *1 | 15 | — | — | — | 0.978 | 0.969 | 0.953 |
| | | 10 | — | — | 0.986 | 0.986 | 0.977 | 0.961 |
| | | 5 | — | 0.992 | 0.994 | 0.994 | 0.984 | 0.968 |
| | | 2.5 | 0.993 | 0.996 | 0.998 | 0.998 | 0.988 | 0.972 |
| | Indoor unit is lower than outdoor unit *2 | 0 | 0.997 | 1.000 | 1.002 | 1.002 | 0.992 | 0.976 |
| | | -2.5 | 0.997 | 1.000 | 1.002 | 1.002 | 0.992 | 0.976 |
| | | -5 | — | 1.000 | 1.002 | 1.002 | 0.992 | 0.976 |
| | | -10 | — | — | 1.002 | 1.002 | 0.992 | 0.976 |
| | | -15 | — | — | — | 1.002 | 0.992 | 0.976 |

| Heating | | Pipe length | | | | | | |
|-------------------------|--|-------------|-------|-------|-------|-------|-------|-------|
| | | m | 2.5 | 5 | 10 | 15 | 20 | 25 |
| Height difference H (m) | Indoor unit is higher than outdoor unit *1 | 15 | — | — | — | 0.964 | 0.939 | 0.913 |
| | | 10 | — | — | 0.988 | 0.964 | 0.939 | 0.913 |
| | | 5 | — | 1.000 | 0.988 | 0.964 | 0.939 | 0.913 |
| | | 2.5 | 1.008 | 1.000 | 0.988 | 0.964 | 0.939 | 0.913 |
| | Indoor unit is lower than outdoor unit *2 | 0 | 1.008 | 1.000 | 0.988 | 0.964 | 0.939 | 0.913 |
| | | -2.5 | 1.006 | 0.997 | 0.986 | 0.962 | 0.937 | 0.911 |
| | | -5 | — | 0.995 | 0.983 | 0.959 | 0.934 | 0.909 |
| | | -10 | — | — | 0.978 | 0.954 | 0.929 | 0.904 |
| | | -15 | — | — | — | 0.949 | 0.925 | 0.899 |

8. Additional charge calculation

8-1. Model: AOYG30KBTA4

| | | |
|--------------------|---|-------|
| Refrigerant type | | R32 |
| Refrigerant amount | g | 2,200 |

| Refrigerant charge | | | | | | |
|--------------------------|---|------------|-----|-----|-----------|--------|
| Total pipe length | m | 40 or less | 50 | 60 | 70 (Max.) | 20 g/m |
| Additional charge amount | g | 0 | 200 | 400 | 600 | |

9. Airflow

9-1. Model: AOYG30KBTA4

● Cooling

| | |
|-------------------|-------|
| m ³ /h | 2,400 |
| l/s | 667 |
| CFM | 1,413 |

● Heating

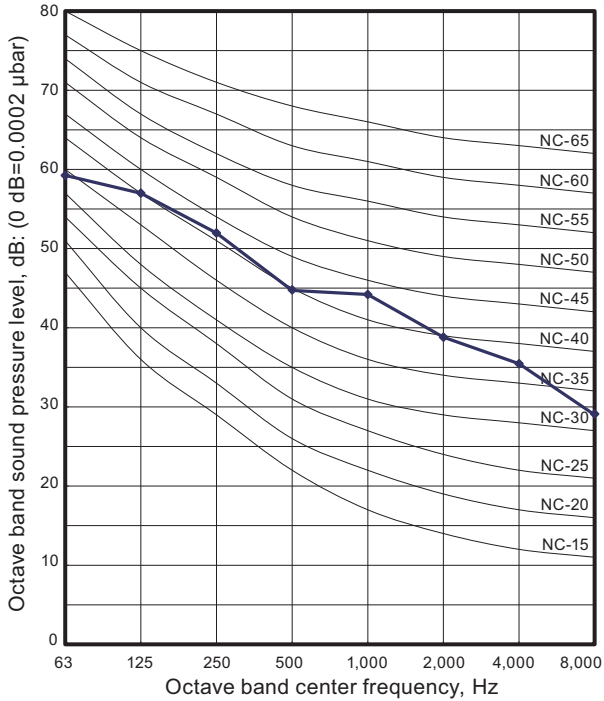
| | |
|-------------------|-------|
| m ³ /h | 2,950 |
| l/s | 820 |
| CFM | 1,736 |

10. Operation noise (sound pressure)

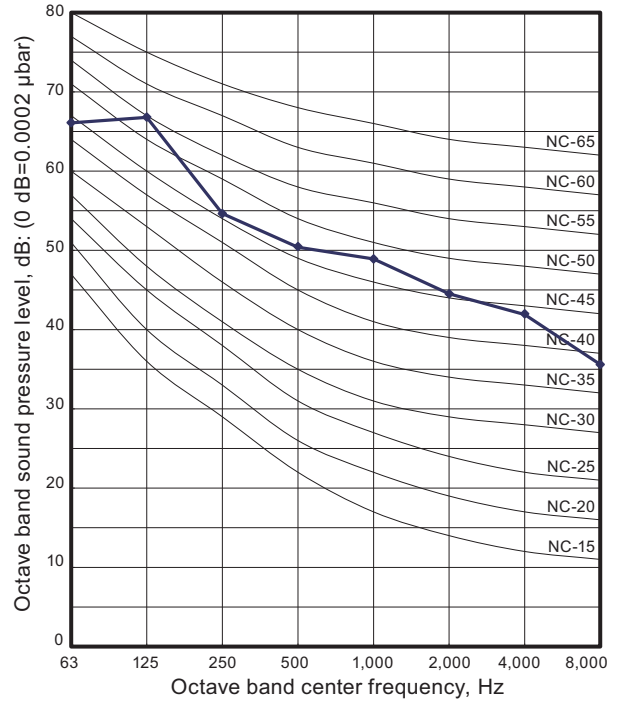
10-1. Noise level curve

Model: AOYG30KBTA4

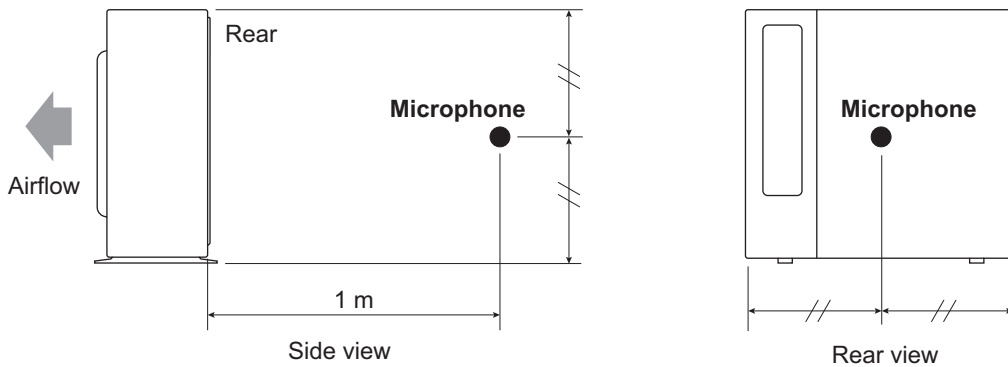
● Cooling



● Heating



10-2. Sound level check point



NOTE: Detailed shape of the actual outdoor unit might be slightly different from the one illustrated above.

OUTDOOR UNIT
AOYG30KBTA4

OUTDOOR UNIT
AOYG30KBTA4

11. Electrical characteristics

| | | | | |
|------------------------------|-------------------------------------|-----------------------|-----------------|-----|
| Model name | | | AOYG30KBTA4 | |
| Power supply | Voltage | V | 230 ~ | |
| | Frequency | Hz | 50 | |
| Maximum operating current *1 | | A | 18.5 | |
| Starting current | | A | 9.4 | |
| Wiring spec. *2 | Main fuse (Circuit breaker) current | | A | |
| | Power cable | | mm ² | |
| | Connection cable *3 | Cross-sectional area | | 1.5 |
| | | Limited wiring length | m | 26 |

*1: Maximum operating current is the total current of the indoor unit and the outdoor unit.

*2: Selected sample based on Japan Electrotechnical Standards and Codes Committee E0005. As the regulations of wire size and circuit breaker differ in each country or region, select appropriate devices complied to the regional standard.

*3: This is the wiring length in case voltage descent is less than 2%. When the wiring length becomes longer, select the wiring of a more larger diameter.

12. Safety devices

| Type of protection | Protection form | | Model |
|-----------------------|---|----------|---|
| | | | AOYG30KBTA4 |
| Circuit protection | Current fuse (Main PCB) | | 250 V, 5 A 250 V, 20 A 250 V, 3.15 A |
| Fan motor protection | Thermal protector | Activate | 125 ±10°C Fan motor stop |
| | | Reset | 120 ±10°C Fan motor restart |
| Compressor protection | Temperature thermistor (Discharge temp.) | Activate | 110°C Compressor stop |
| | | Reset | After 7 minutes Compressor restart |
| | Temperature thermistor (Compressor bottom temp.) | Activate | 108°C Compressor stop |
| | | Reset | After 3 minutes, and 80°C or less Compressor restart |
| | Thermal protection program (Outdoor temp.) (Only in COOL or DRY mode) | Activate | -20°C Compressor stop |
| | | Reset | -15°C Compressor restart |

13. Function settings

13-1. Setting methods

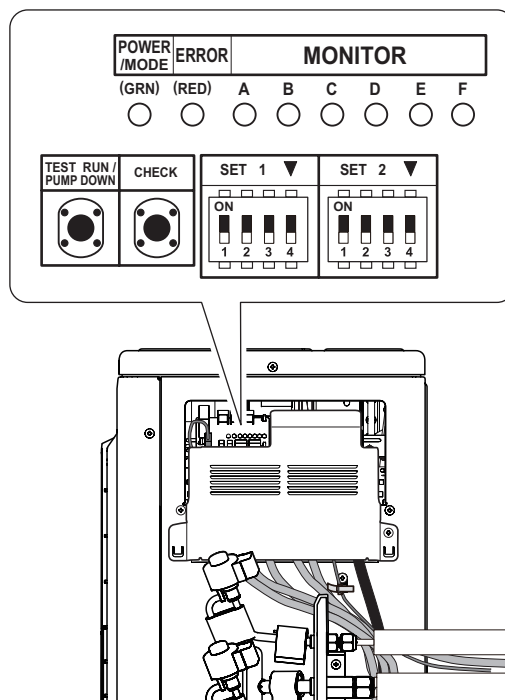
⚠ WARNING

Never touch electrical components such as the terminal blocks or reactor except the switch on the display board. It may cause a serious accident such as electric shock.

⚠ CAUTION

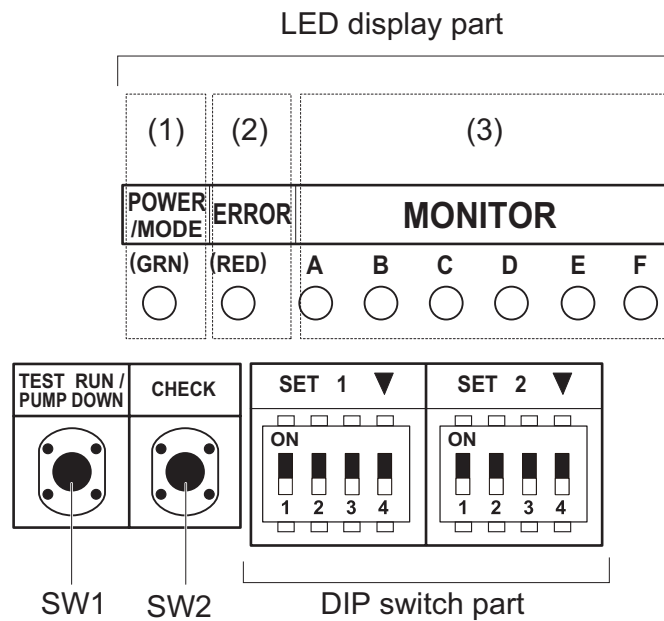
- Once refrigerant charging is completed, be sure to open the valve prior to performing the local settings. Otherwise, the compressor may fail.
- Discharge any static electricity from your body before touching the push switches. Never touch any terminal or pattern of any parts on the control board.

The positions of the switches on the outdoor unit control board are shown in the figure below.



■ Setting method

Various settings can be adjusted by changing DIP switches and push switches on the PCB of the outdoor unit.



1. Be sure to disconnect the power supply or turn off the breaker.
2. Change the DIP switch setting according to the required setting.

■ Description of display

| LED lamp | | | Function or operation method |
|----------|------------|-------|--|
| (1) | POWER/MODE | Green | <ul style="list-style-type: none"> Turns on when the power supply is ON (Including when error occurs). Indicate the MODE by the number of flashes when the installation function is active. |
| (2) | ERROR | Red | Flashes at high-speed when there is an error. |
| (3) | MONITOR | A | <ul style="list-style-type: none"> Displays the location and contents of errors when there is an error. (Refer to Chapter 14-3. "Error code" on page 462 for details.) Displays when check run is activated. (Refer to Chapter 14-1. "Check run" on page 455 for details.) |
| | | B | |
| | | C | |
| | | D | |
| | | E | |
| | | F | |

| Switch | | Function or operation method | Factory setting |
|--------|------|---|---------------------|
| SW1 | Push | <ul style="list-style-type: none"> For the test run start and stop. For the pump down start and stop. | — |
| SW2 | Push | <ul style="list-style-type: none"> For when check run function is activated. For displaying the check run. For resetting the Automatic wiring correction memory. | — |
| SET1-1 | DIP | For selecting cooling or heating during test operation. | OFF |
| SET1-2 | DIP | For switching SW1 operation. | OFF |
| SET1-3 | DIP | (Prohibited) | OFF (Do not change) |
| SET1-4 | DIP | For outdoor unit low noise operation function. | OFF |
| SET2-1 | DIP | For selecting outdoor unit low noise operation function. | OFF |
| SET2-2 | DIP | (Prohibited) | OFF (Do not change) |
| SET2-3 | DIP | Changing the current limit | OFF |
| SET2-4 | DIP | | |

Be sure to disconnect the power supply or turn off the breaker before changing the DIP switch setting.

13-2. Outdoor unit low noise operation function (option)

Change the outdoor unit low noise operation by using this setting.

⚠ CAUTION

- When the low noise operation function is working, cooling and heating capacity will decrease.
- When changing the settings, explain to the customer beforehand that the capacity decreases.

NOTES:

- When SET1-4 is OFF, optional Central remote controller is required to use this function.
- When SET1-4 is ON, "Operation" and "Non-operation" mode of this function cannot be switched from the Central remote controller.

| SET1-4 | Setting | Factory setting |
|--------|---|-----------------|
| ON | Continuous operation | |
| OFF | Follow the Central remote controller settings | ◆ |

| SET2-1 | Setting | Factory setting |
|--------|---------|-----------------|
| ON | Lower | |
| OFF | Low | ◆ |

13-3. Current limit function

Current value can be limited to meet specific current requirements.

NOTE: When changing this setting, explain to the customer beforehand that the capacity decreases.

| SET2-3 | SET2-4 | Current | Factory setting |
|--------|--------|---------|-----------------|
| OFF | OFF | Full | ◆ |
| ON | OFF | 16.0 A | |
| OFF | ON | 12.0 A | |

14. Check and test

14-1. Check run

- The check run is a function to screen and detect any wiring errors.
- After carrying out the check run, you can use the automatic wiring correction function to correct the wiring.
- Normal operation is possible without using the check run. In this case, use the test run or forced cooling function of the indoor unit to confirm any wiring errors.

■ Things to confirm before starting the check run

To ensure safety, check that the following work, inspections and operations have been completed.

| | Check item | Check column |
|---|--|--------------|
| 1 | Check that all work on the piping connecting the outdoor unit, indoor units has been completed. | |
| 2 | Check that all work on the wiring connecting the outdoor unit, indoor units has been completed. | |
| 3 | Is there a gas leakage? (At pipe connections [flange connections and brazed areas]) | |
| 4 | Is the system charged with the specified volume of refrigerant? | |
| 5 | Is a breaker installed at the power supply cable of outdoor unit? | |
| 6 | Are the wires connected to the terminals without looseness, and in accordance with the specifications? | |
| 7 | Is the 3-way valve of the outdoor unit open? (Gas pipe and liquid pipe) | |
| 8 | Is the power supply connected for more than 12 hours? | |

■ Restrictions applicable when performing the check run

- When the check run starts, all indoor units connected to the outdoor unit will start to run automatically. During the check run, you cannot check the operation of the indoor units separately. After the check run, check the operation of the indoor units separately in normal operation.
- The check run can be used when the temperature is within the operable temperature of the air conditioner.
- In the check run, the air conditioner will automatically switch between cooling and heating depending on the external temperature and internal temperature.
- The check run can be completed in about 30 minutes (cooling) or about 1 hour (heating), but may take more depending on the external and internal temperature conditions etc.
- Do not conduct the check run with all the windows in the room closed. Otherwise the room temperature could get too low or too high.
- Depending on the difference of the room temperature of each room, a judgment may be impossible.
- Check run is a special operation so there may be a noise louder than the normal refrigerant flow sound or a creaking noise.

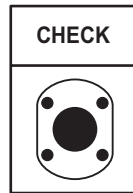
Operating procedure for check run

⚠ CAUTION

Initiate check run after more than 12 hours after the power supply is connected.

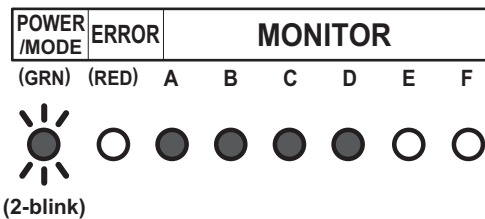
NOTE: Be sure that the indoor unit and outdoor unit are not operating before starting the check run.

1. Press the CHECK switch for 3 seconds or more.



2. The number of indoor units (and the places) connected through the communication lines is displayed.
 - If the displayed number of units (places) and the installed number of units (places) is the same, proceed to step 3.
 - If the displayed number of units (places) and the installed number of units (places) is not the same, shut off the power and check whether the indoor and outdoor communication lines are properly connected.
 - If there is no operation for 1 minute, the LED will return to the original display. (POWER/MODE LED: ON)

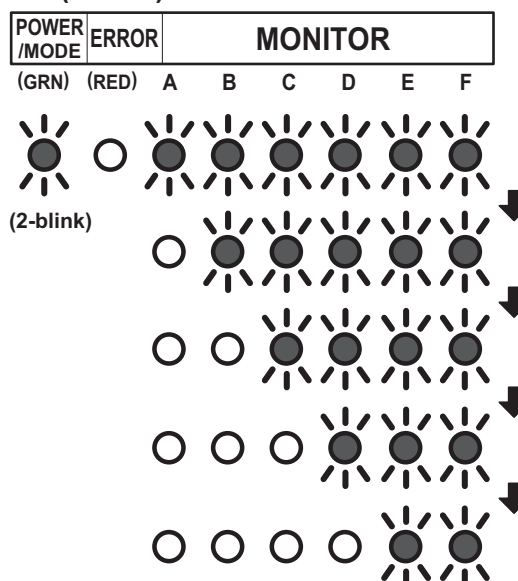
Example: When 4 indoor units (A to D) are connected



3. Press the CHECK switch for 3 seconds or more again. Check run is initiated.
 - When check run is initiated, all LEDs from A to F will flash. (Preliminary operation)
 - The LED for each indoor unit will switch off in order as check for each unit is completed.

NOTE: To interrupt the check run, press the CHECK switch.

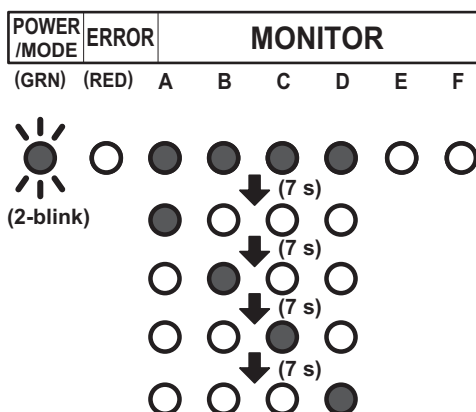
Example: When 4 indoor units (A to D) are connected



4. After the check run is completed, results will be displayed. Fill the displayed results in the result table accordingly.

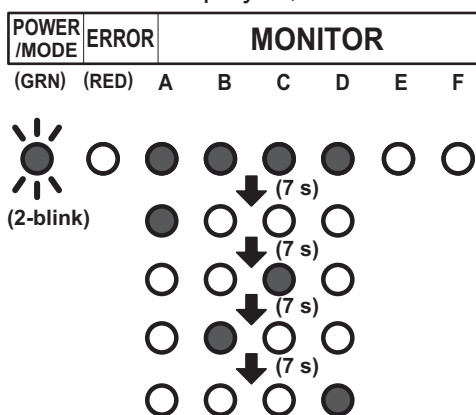
- **If the connection is correct (Example: When 4 indoor units are connected)**

After the number of connected units are displayed, the LED for each unit will light up in order from A to D.



- **If the connection is incorrect (Example: When connection of B and C of the 4 units are reversed)**

After the number of connected units are displayed, B and C will light up in reverse.



NOTES:

- Automatic wiring correction will not be completed if the power supply is disconnected while displaying the results. To confirm the automatic wiring correction, be sure to carry out step 5.
- If frost is formed on the outdoor unit while displaying the results, automatic defrost function will be operated. Proceed to step 5 after the defrost function is finished.

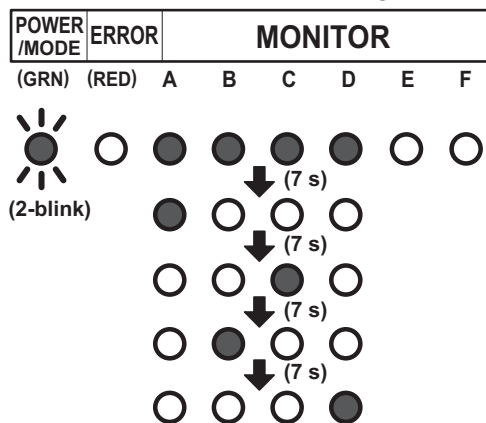
[How to record the contents]

- Fill the displayed results according to the following example.

Example: When piping A to D is connected but the wires for B and C are connected in reverse.

<Displayed results>

The LEDs will light up in 7 second intervals in the following order.



<Example of result table>

- Write a ● where the LEDs light up in the order that they light up.

| | A | B | C | D | E | F |
|---|---|---|---|---|---|---|
| 1 | ● | ● | ● | ● | ○ | ○ |
| 2 | ● | ○ | ○ | ○ | ○ | ○ |
| 3 | ○ | ○ | ● | ○ | ○ | ○ |
| 4 | ○ | ● | ○ | ○ | ○ | ○ |
| 5 | ○ | ○ | ○ | ● | ○ | ○ |
| 6 | ○ | ○ | ○ | ○ | ○ | ○ |
| 7 | ○ | ○ | ○ | ○ | ○ | ○ |

- Based on the results of step (a), record as follows.

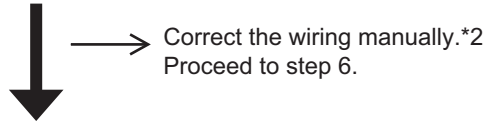
- Trace the dotted circle with a pen if multiple places light up.

| A | B | C | D | E | F |
|---|---|---|---|---|---|
| ○ | ○ | ○ | ○ | ⋯ | ⋯ |

- Write the order from A to D in which the LEDs lit up inside the circle.

| A | B | C | D | E | F |
|---|---|---|---|---|---|
| Ⓐ | Ⓒ | Ⓑ | Ⓓ | ⋯ | ⋯ |

c. Select the correction method.



Use the Automatic wiring correction function.*1
Proceed to step 5.

Write down the same results in the label on the reverse side of the service panel.
The results recorded are needed at the time of servicing.

<Result Table>

| | A | B | C | D | E | F |
|---|---|---|---|---|---|---|
| 1 | ○ | ○ | ○ | ○ | ○ | ○ |
| 2 | ○ | ○ | ○ | ○ | ○ | ○ |
| 3 | ○ | ○ | ○ | ○ | ○ | ○ |
| 4 | ○ | ○ | ○ | ○ | ○ | ○ |
| 5 | ○ | ○ | ○ | ○ | ○ | ○ |
| 6 | ○ | ○ | ○ | ○ | ○ | ○ |
| 7 | ○ | ○ | ○ | ○ | ○ | ○ |

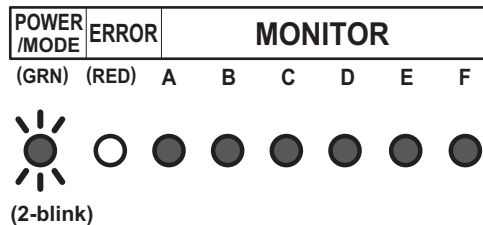
| A | B | C | D | E | F |
|---|---|---|---|---|---|
| ○ | ○ | ○ | ○ | ○ | ○ |

NOTES:

- *1: By using this function, the wiring is automatically corrected according to the piping.
- *2: When correcting the wiring manually, please disconnect the power supply or turn off the breaker during results display, and then change the wiring manually according to the obtained test results.

For example, in Example 1, the wirings connected to the terminals B and C is to be exchanged manually.

5. During results display, press the CHECK switch for 3 seconds or more.
After LEDs A to F have lit in turn, all LEDs will light up indicating that the automatic wiring correction is completed.



6. Disconnect the power supply or turn off the breaker and wait 10 minutes then turn the power back on and perform test run.

NOTE: If you do not disconnect the power supply or turn off the breaker, normal operation is not possible.

Notices:

- If an error occurs during check run it will be suspended. Correct the error and start check run again.
- After the check run, if automatic wiring correction is carried out, the indoor unit's position will be modified to match the piping. (Note that the display of the optional remote controller changes.)
- If you start check run again after the automatic wiring correction is finished, the modification will be reset.

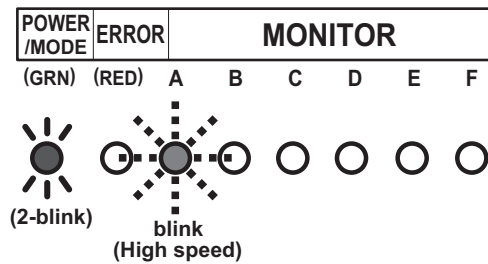
OUTDOOR UNIT
AOYG30KBT4

OUTDOOR UNIT
AOYG30KBT4

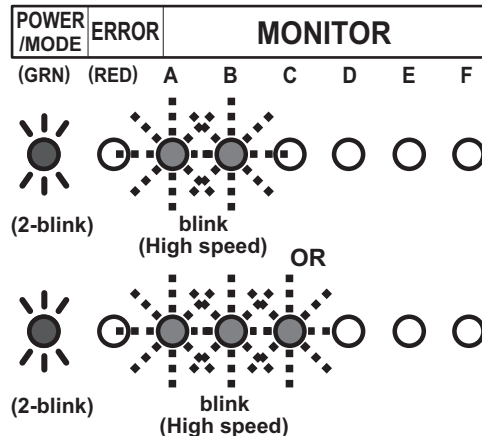
■ Failure indication of check-run judgment

The check run stops when there is an error, and the LED shows the relevant error indication. When you encounter the errors described here, perform checking by using the cooling test run of the indoor unit.

• Temperature out of range judgment



• Wiring/piping number difference



■ Redisplaying the results of check run

- When checking the content of automatic wiring correction, push the CHECK switch. The results of the check run is displayed. You can compare the result that is recorded in step (4) of Chapter 14-1-3. "[Operating procedure for check run](#)" on page 456.
- If the automatic wiring correction is not completed, the POWER/MODE LED blinks twice and the MONITOR LED turns off.

■ Memory resetting of automatic wiring correction

⚠ CAUTION

When relocating the unit, reset the memory beforehand, or the unit may not function normally.

- Push the CHECK switch.
The LED lights as shown in "[Redisplaying the results of check run](#)" on page 460.
- When the LED is on, press the CHECK switch for more than 3 seconds.
- The LEDs from A to F light in sequence, and then all LEDs light to indicate the completion of the memory resetting of automatic wiring correction.
- Disconnect the power supply or turn off the breaker.

14-2. Test run

⚠ CAUTION

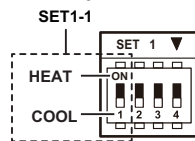
Always connect the power supply 12 hours prior to the start of the operation in order to protect the compressor.

1. Indoor unit
 - a. Is the drain normal?
 - b. Is there any abnormal noise and vibration during operation?
 2. Outdoor unit
 - a. Is there any abnormal noise and vibration during operation?
 - b. Will noise, wind, or drain water from the unit disturb the neighbors?
 - c. Is there any gas leakage?
- Do not operate the air conditioner in the test running state for a long time.
 - For the operation method of the test run for indoor unit and central remote controller, refer to the operating manual and perform operation check.

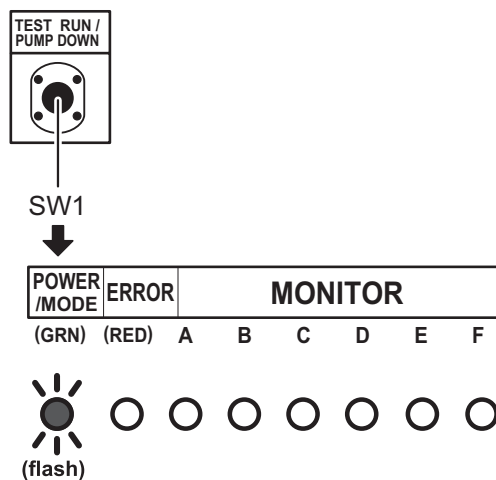
■ Test run method

Be sure to temporarily disconnect the power supply or turn off the breaker before changing the DIP switch settings.

1. Check the 3-way valves (both at the liquid side and gas side) are opened. Confirm that the DIP switch SET1-2 is switched off.
2. Set the operation mode to COOL or HEAT. When switching the DIP switch SET1-1 between HEAT and COOL, disconnect the power supply or turn off the circuit breaker beforehand.

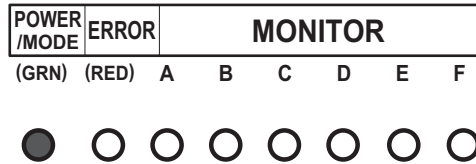


- In the first test run, be sure to set the operation mode to COOL.
- The operation mode cannot be switched between COOL and HEAT during the test run. To switch the operation mode between COOL and HEAT, stop the test run, switch the operation mode, and then start the test run again.
3. Push TEST RUN switch for more than 3 seconds. The POWER / MODE LED flashes once.



4. Confirm operating status.

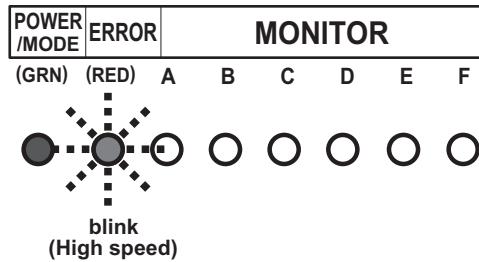
5. Push TEST RUN switch for more than 3 seconds.



POWER/MODE LED will turn on, and test run stops.

14-3. Error code

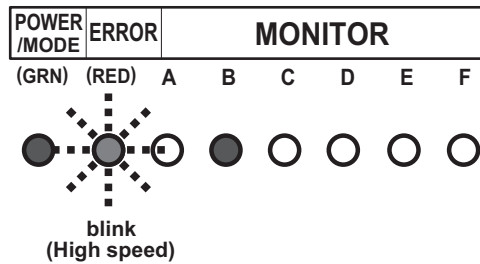
If an error occurs, the LED lights to inform the relevant location and the code. When error occurs, the error LED blinks at high speed.



■ Error location

LEDs A to F of MONITOR light and indicate the location of the error. In the case of an overall error, LEDs A to F of MONITOR do not light.

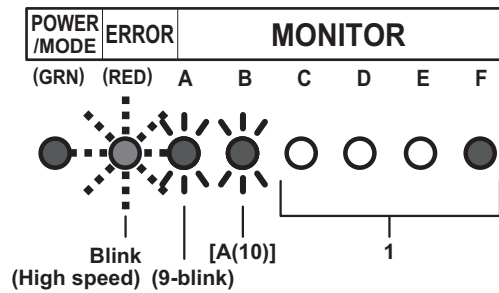
Example: Coil error on indoor unit B



■ Error code display

While the error is occurring, briefly push the SW1. The error code is displayed.

Example: Coil error (Error cord = 9A.1)



Display mode

LED on: ●

LED off: ○

Blink: 
 (0.5s Light on / 0.5s Light off)

Number of blinking: ()

For MONITOR (A and B)

- A: 10-blink
- C: 11-blink
- F: 12-blink
- J: 13-blink
- P: 14-blink
- U: 15-blink

| C | D | E | F | |
|---|---|---|---|-----|
| ○ | ○ | ○ | ● | → 1 |
| ○ | ○ | ● | ○ | → 2 |
| ○ | ○ | ● | ● | → 3 |
| ○ | ● | ○ | ○ | → 4 |
| ○ | ● | ○ | ● | → 5 |
| ○ | ● | ● | ○ | → 6 |
| ○ | ● | ● | ● | → 7 |
| ● | ○ | ○ | ○ | → 8 |
| ● | ○ | ○ | ● | → 9 |
| ● | ○ | ● | ○ | → A |
| ● | ○ | ● | ● | → C |
| ● | ● | ○ | ○ | → F |
| ● | ● | ○ | ● | → J |
| ● | ● | ● | ○ | → P |
| ● | ● | ● | ● | → U |

| Error code | Error type |
|------------|---|
| 11.3 | Serial communication error |
| 11.4 | Serial communication error during operation |
| 16.5 | Communication error between controller and outdoor unit |
| 22.1 | Indoor unit capacity error |
| 23.1 | Connection prohibited (Series error) |
| 5U.1 | Indoor unit error |
| 62.1 | PCB model information error |
| 62.3 | EEPROM access error |
| 62.8 | EEPROM data corruption error |
| 63.1 | Inverter error |
| 65.3 | IPM error (Trip terminal L error) |
| 71.1 | Discharge temp. sensor error |
| 72.1 | Compressor temp. sensor error |
| 73.2 | Heat exchanger middle temp. sensor error |
| 73.3 | Heat exchanger liquid temp. sensor error |
| 74.1 | Outdoor temp. sensor error |
| 75.1 | Suction gas temp. sensor error |
| 76.1 | Valve sensor error |
| 76.2 | |
| 77.1 | Heat sink temp. sensor error |
| 84.1 | Current sensor 1 error (stoppage permanently) |
| 86.1 | Discharge pressure sensor error |
| 86.4 | High pressure switch 1 error |
| 94.1 | Trip detection |
| 95.1 | Compressor motor control error (stoppage permanently) |
| 97.3 | Fan motor 1 error (Duty error) |
| 98.3 | Fan motor 2 error (Duty error) |
| 99.1 | 4-way valve error |
| 9A.1 | Coil 1 (expansion valve 1) error |
| A1.1 | Discharge temperature 1 error (stoppage permanently) |
| A3.1 | Compressor 1 temperature error |

14-4. Pump down

⚠ WARNING

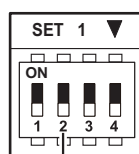
During the pump down operation, make sure that compressor is off before you remove the refrigerant pipe. Do not remove the connection pipe while the compressor is in operation with valve open. This may cause abnormal pressure in the refrigeration cycle that leads to breakage and even injury.

■ Pump down operation

When moving or discarding the air conditioner, in order to consider the environment and avoid the discharge of refrigerant to the atmosphere, pump down according to the following procedure.

1. Connect the pressure gauge to the charging port.
2. Change the DIP switch on the board (SET1-2) to ON.

NOTE: Disconnect the power supply firmly on the breaker before changing the DIP switch settings.



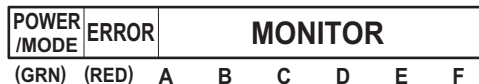
DIP switch
(SET1-2)

3. To start operation, push the PUMP DOWN switch (SW1) for 3 seconds or push the switch after the power has been on for 3 minutes.



Push switch (SW1)

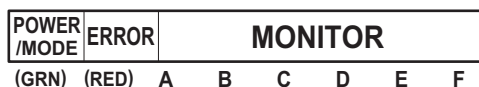
During pump down, the LED (POWER/MODE) blinks 3 times consecutively.



(3-blink)

NOTE: If the PUMP DOWN switch (SW1) is pushed while the compressor is in operation, the compressor stops and the operation restart after about 3 minutes.

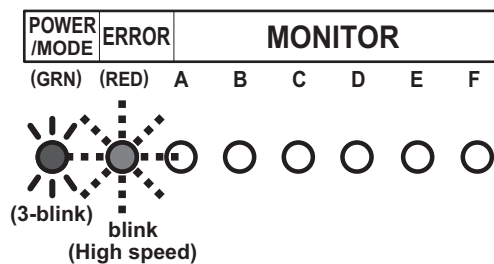
4. Close the liquid pipe valve.
5. When the value between 7.3 psi and 0 psi (0.05 MPa to 0 MPa) is shown, close the gas pipe valve.
6. Stop the pump down operation by pushing the PUMP DOWN switch (SW1) for 3 seconds. The LED light as follows.



(3-blink)

7. Disconnect the power supply or turn off the breaker.


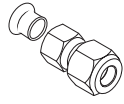
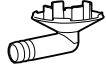
- NOTE:**
- Even if the pump down operation is not stopped by pushing the switch as in step 6, the operation stops automatically after 15 minutes, and the LED light as follows.



- After completing the pump down operation, disconnect the power supply or turn off the breaker.
 - If the pump down operation still continues, open the liquid pipe valve. Then perform the procedure again starting from step 3.
- To cancel the pump down operation, push the PUMP DOWN switch (SW1) again. The indication of the LED returns to the original state which is before starting the pump down operation.
(POWER/MODE LED: On)
- The pump down may stop before completion due to an error. To complete the pump down operation, correct the error, open the liquid pipe valve and then start from step 1 again. Otherwise, the refrigerant can be recovered from the service port.

15. Accessories

15-1. Model: AOYG30KBTA4

| Part name | Exterior | Qty | Part name | Exterior | Qty |
|---------------------|---|-----|---|---|-----|
| Installation manual |  | 1 | Adapter K 12.70 mm (1/2 in) to 9.52 mm (3/8 in) |  | 2 |
| Drain pipe |  | 1 | | | |

16. Outdoor unit installation precautions

NOTE: The information listed below are general precautions.
Some models also include items that do not apply.

16-1. Places where prohibited for use

- Places where there is a danger of combustible gas leakage.
- Places where sulfur gas, chlorine gas, acid, alkali, or other matter which effects equipment is generated.
- Places affected by heat radiation from other heat sources.
- Places where the air is stagnant.
- Places where machinery which generates high frequencies is used.
- Ocean beaches and other areas where there is a lot of salt.
- Inside of vehicles, ships, and other conveyances.
- Places where voltage fluctuations are large such as a factory.

16-2. Points to remember when installing

- The product shall be installed at a place which can withstand the weight and vibration of the outdoor unit.
- To allow maintenance after refrigerant pipe, drain piping, and the connection/installation of electric wiring, provide an maintenance space.
Maintenance space is shown in "[Installation space](#)" on page 385.
- Be careful when installing the set at the following places.

| Condition | Contents | Countermeasures (Reference) |
|---|--|--|
| When installed near adjacent houses. | Perform installation work so that operating sound does not disturb the neighbors. | <ol style="list-style-type: none"> 1. Install a soundproof barrier. 2. Change the installation site. |
| When there is the possibility of strong wind. | <ul style="list-style-type: none"> • If the outdoor unit is exposed to strong wind, capacity may drop, frost may form during heating, and operation may be stopped by high pressure rise. In addition, when a very strong wind blows, the fan may be damaged. • When a very strong wind blows, there is the possibility of the outdoor unit being toppled over if held only by foundation bolts. | <ol style="list-style-type: none"> 1. Install the outdoor unit with keeping a sufficient distance between the outlet side of the unit and a facing wall or fence. 2. Make the outlet direction and wind direction perpendicular. 3. Fasten the outdoor unit using toppling prevention hardware (purchased locally). |
| When snow accumulates. | If the outdoor unit is covered by accumulated snow, it may not be able to operate. | <ol style="list-style-type: none"> 1. Make the foundation as high as possible. 2. Perform snow prevention work. |
| When installing the inverter type. | It may generate noise in TV sets, stereos and PCs. | The inverter type should be installed at a sufficient distance from these equipments. |

Part 3. OUTDOOR UNIT (5 UNITS TYPE)

**MULTI-SPLIT TYPE:
AOYG36KBTA5**

1. Specifications

| Type | | | Inverter heat pump | |
|-------------------------------------|---|---------------------|---|--|
| Model name | | | AOYG36KBTAs | |
| Power source | | | 230 V 50 Hz | |
| Available voltage range | | | 198—264V | |
| Standard combination of indoor unit | | | Wall mounted ASYG07KMCC ×5 | |
| Capacity | Cooling | Rated | kW | 9.5 |
| | | | Btu/h | 32,400 |
| | | Min.—Max. | kW | 3.0—11.0 |
| | | | Btu/h | 10,200—37,500 |
| | Heating | Rated | kW | 10.6 |
| | | | Btu/h | 36,200 |
| Min.—Max. | | kW | 3.5—12.0 | |
| | | Btu/h | 11,900—40,900 | |
| Input power | Cooling | Rated | kW | 2.50 |
| | | Max. | | 3.45 |
| | Heating | Rated | | 2.36 |
| | | Max. | | 3.25 |
| Current | Cooling | Rated | A | 11.1 |
| | Heating | Rated | | 10.9 |
| EER | Cooling | | kW/kW | 3.8 |
| COP | Heating | | | 4.5 |
| Starting current | | | A | 11.1 |
| Maximum operating current *1 | | | A | 20.0 |
| Fan | Type × Qty | | Propeller × 1 | |
| | Airflow rate | Cooling | m ³ /h | 2,450 |
| | | Heating | | 2,900 |
| | Motor output | | W | 49 |
| Sound pressure level *2 | Cooling | | dB (A) | 52 |
| | Heating | | | 55 |
| Heat exchanger | Dimension (H × W × D) | | mm | Main1: 840 × 873 × 18.19 Main2: 840 × 843 × 18.19 Main3: 840 × 784 × 18.19 |
| | Fin pitch | | | 1.45 |
| | Rows × Stages | | | Main1: 1 × 40 Main2: 1 × 40 Main3: 1 × 40 |
| | Pipe type (Material) | | Copper tube | |
| | Fin type (Material) | | Aluminum | |
| | Type × Quantity | | DC twin rotary × 1 | |
| Compressor | Motor output | | W | 1,450 |
| | Type | R32 (675) | | |
| Refrigerant | Charge | | g | 2,500 |
| | Type | RmM68AF | | |
| Refrigerant oil | Amount | | cm ³ | 800 |
| | Material | | Steel sheet | |
| Enclosure | Color | | Beige (Approximate color of Munsell 10YR 7.5/1.0 NN) | |
| | Dimensions (H × W × D) | Net | mm | 884 × 820 × 315 |
| Gross | | 1,058 × 1,027 × 445 | | |
| Weight | Net | kg | 59 | |
| | Gross | | 69 | |
| Connection pipe | Size | Liquid | mm (in) | Ø6.35 (Ø1/4) × 5 |
| | | Gas | | Ø9.52 (Ø3/8) × 3 + Ø12.7 (Ø1/2) × 2 |
| | | Method | | Flare |
| | Pre-charge length (Total) | | m | 40 |
| | Maximum length (Total) | | | 75 |
| | Maximum length (Each) | | | 25 |
| | Minimum length (Total) | | | 15 |
| | Minimum length (Each) | | | 2.5 |
| | Maximum height difference between outdoor unit and each indoor units. | | | 15 |
| | Maximum height difference between indoor units. | | | 10 |
| Material | | PP | | |
| Drain hose | Tip diameter | | mm | Ø13.0 (I.D.), Ø16.0 to Ø16.8 (O.D.) |
| | Operation range | Cooling | °C | -10 to 46 |
| Heating | | -15 to 24 | | |

NOTES:

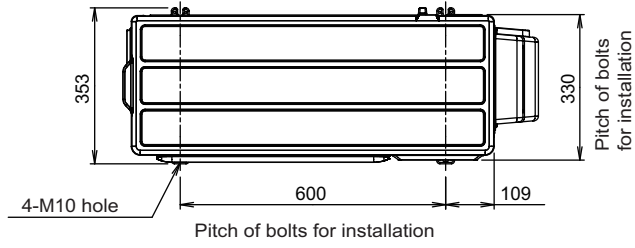
- Specifications are based on the following conditions:
 - Power source of specifications: 230 V
 - Pipe length: 5 m, Height difference: 0 m [Outdoor unit—Indoor unit]
 - Cooling: Indoor temperature of 27.0 °CDB/19.0 °CWB, and outdoor temperature of 35 °CDB/24.0 °CWB.
 - Heating: Indoor temperature of 20.0 °CDB/15.0 °CWB, and outdoor temperature of 7.0 °CDB/6.0 °CWB.
- *1: Maximum operating current is the total current of the indoor unit and the outdoor unit.
- *2: Sound pressure level
 - Measured values in manufacturer's anechoic chamber.
 - Because of the surrounding sound environment, the sound levels measured in actual installation conditions might be higher than the specified values here.
- For other combination, refer to the combination table.
- The protective function might work when using it outside the operation range.
- This data is based on EN 14511 standard.

| Specifications for ErP Lot10 | | | | |
|------------------------------|-------------------|--------------|--------------|----|
| Model name | | AOYG36KBT A5 | | |
| Energy efficiency class | Cooling | A+++ | | |
| | Heating (Average) | A++ | | |
| Pdesign | Cooling | kW | 9.5 (35 °C) | |
| | Heating (Average) | | 7.0 (-10 °C) | |
| SEER | Cooling | kWh/kWh | 8.50 | |
| SCOP | Heating (Average) | | 4.60 | |
| Annual energy consumption | QCE | kWh/a | 391 | |
| | QHE (Average) | | 2,130 | |
| Sound power level | Cooling | HIGH | dB (A) | 65 |
| | Heating | | | 68 |

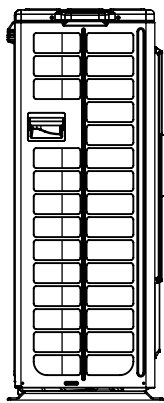
2. Dimensions

2-1. Model: AOYG36KBTA5

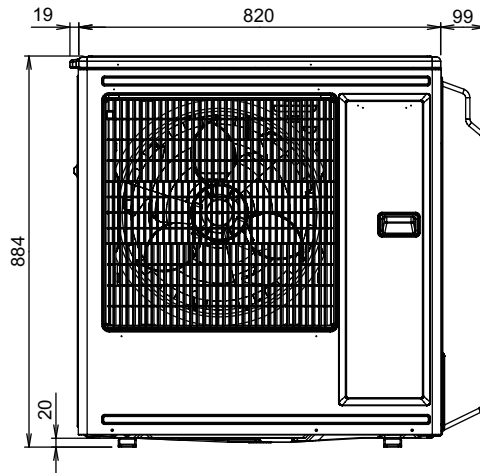
Unit: mm



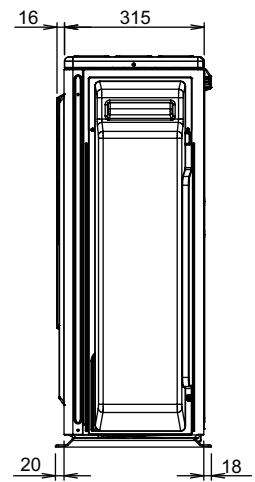
Top view



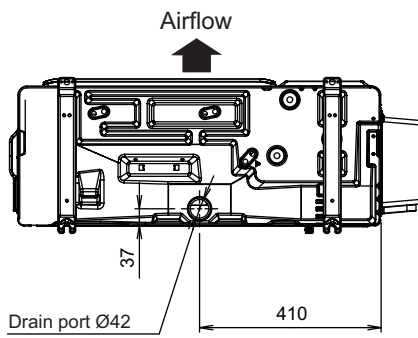
Side view



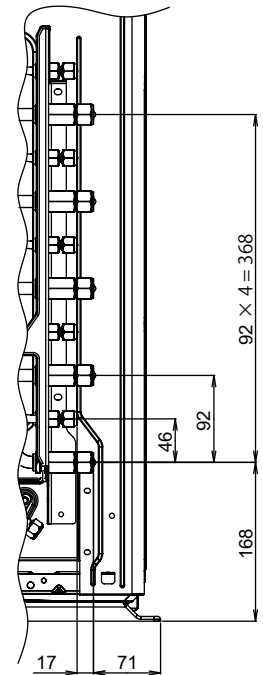
Front view



Side view



Bottom view



Side view (Valve part)

OUTDOOR UNIT
AOYG36KBTA5

OUTDOOR UNIT
AOYG36KBTA5

3. Installation space

3-1. Model: AOYG36KBTA5

■ Space requirement

Provide sufficient installation space for product safety.

⚠ CAUTION

Keep the space shown in the installation examples.

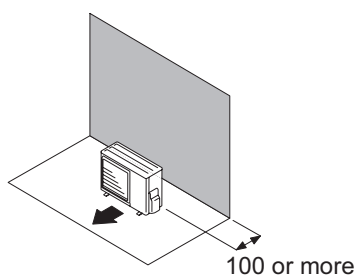
If the installation is not performed accordingly, it could cause a short circuit and result in a lack of operating performance.

● Single outdoor unit installation

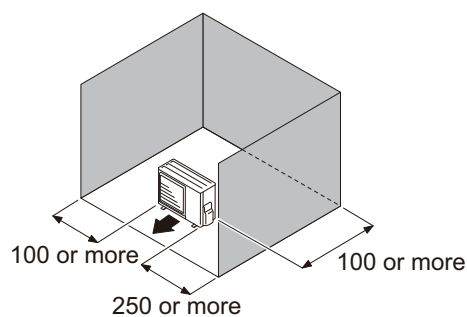
- When the upper space is open:

Unit: mm

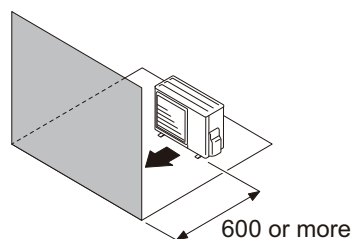
Obstacles at rear only



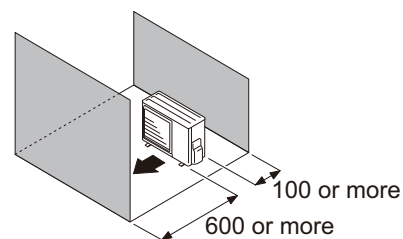
Obstacles at rear and sides



Obstacles at front



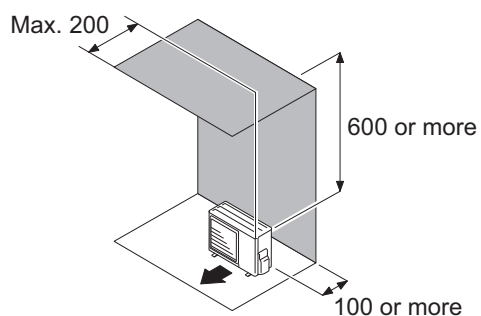
Obstacles at front and rear



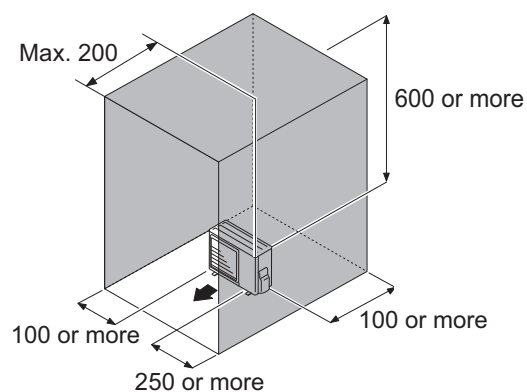
- When an obstruction in the upper space:

Unit: mm

Obstacles at rear and above



Obstacles at rear, sides, and above



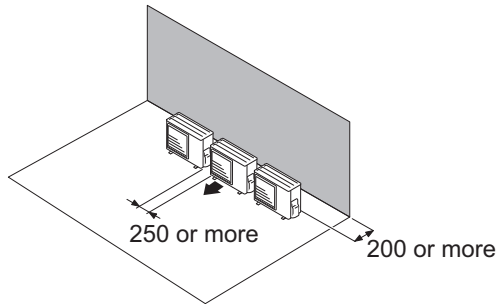
● Multiple outdoor unit installation

- Provide at least 250 mm of space between the outdoor units if multiple units are installed.
- When routing the piping from the side of an outdoor unit, provide space for piping.
- No more than 3 units must be installed side by side.
When 4 units or more are arranged in a line, provide the space as shown in the following example **“When an obstruction in the upper space:”**.

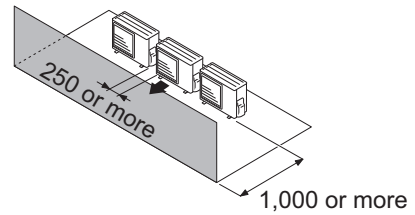
- **When the upper space is open:**

Unit: mm

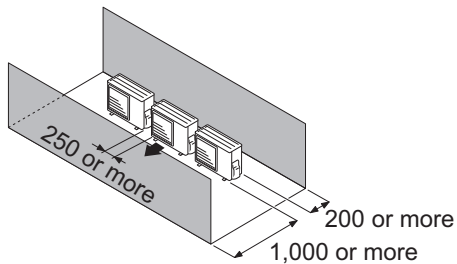
Obstacles at rear only



Obstacles at front only



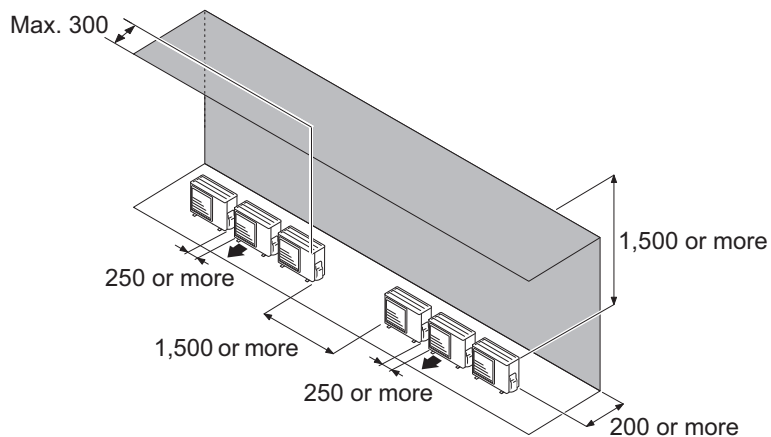
Obstacles at front and rear



- **When an obstruction in the upper space:**

Unit: mm

Obstacles at rear and above.



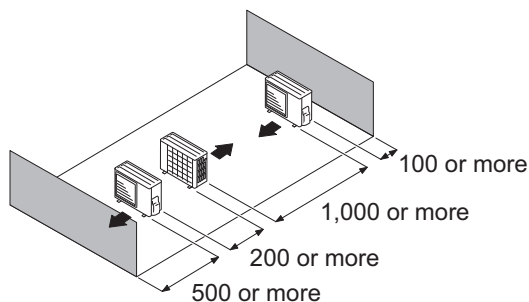
OUTDOOR UNIT
AOYG36KBT A5

OUTDOOR UNIT
AOYG36KBT A5

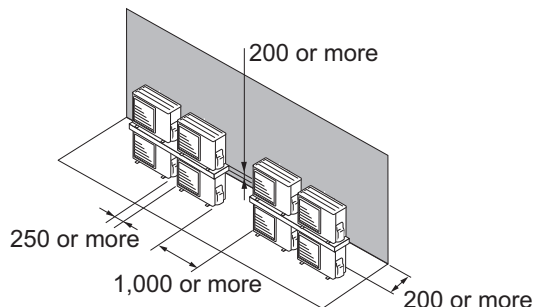
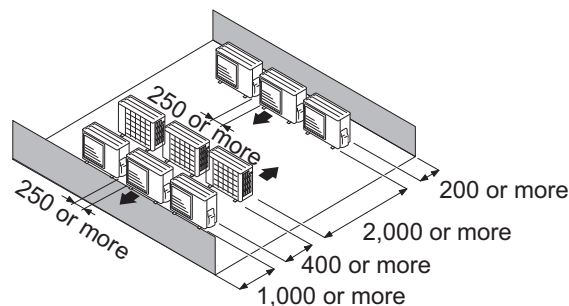
● Outdoor units installation in multi-row

Unit: mm

Single parallel unit arrangement



Multiple parallel unit arrangement

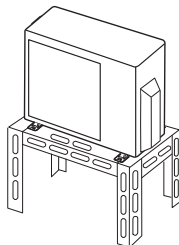


NOTES:

- If the space is larger than stated above, the condition will be the same as when there is no obstacle.
- When installing the outdoor unit, be sure to open the front and left side to obtain better operation efficiency.

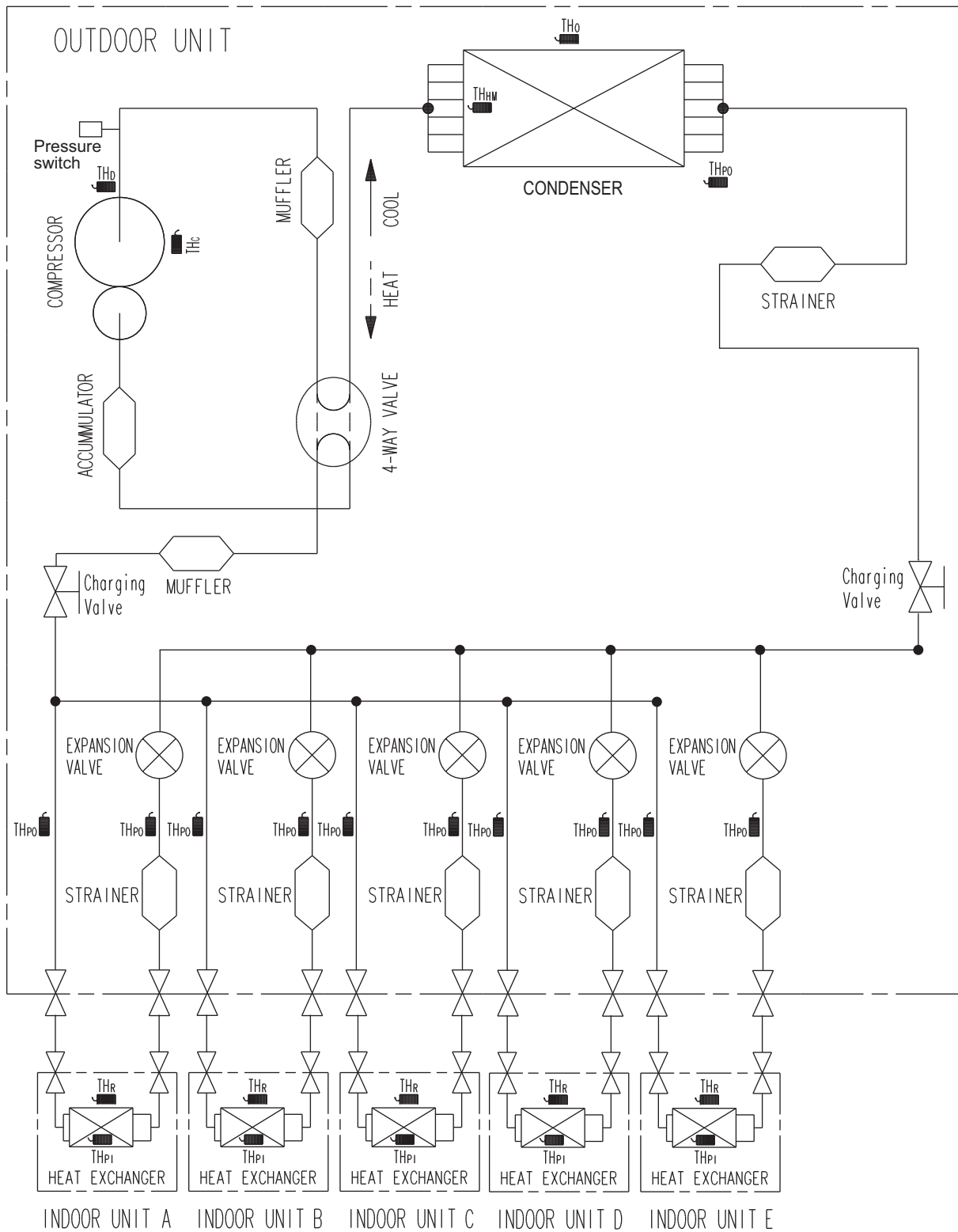
⚠ CAUTION

- Do not install the outdoor unit in two-stage where the drain water could freeze. Otherwise the drainage from the upper unit may form ice and cause a malfunction of the lower unit.
- When the outdoor temperature is 0 °C or less, do not use the accessory drain pipe and drain cap. If the drain pipe and drain cap are used, the drain water in the pipe may freeze in extremely cold climate. (For reverse cycle model only.)
- In area with heavy snowfall, if the inlet and outlet of the outdoor unit is blocked with snow, it might become difficult to get warm, and it is likely to cause product malfunction. Construct a canopy and a pedestal, or place the unit on a high stand that is locally installed.



4. Refrigerant circuit

4-1. Model: AOYG36KBT A5



OUTDOOR UNIT
AOYG36KBT A5

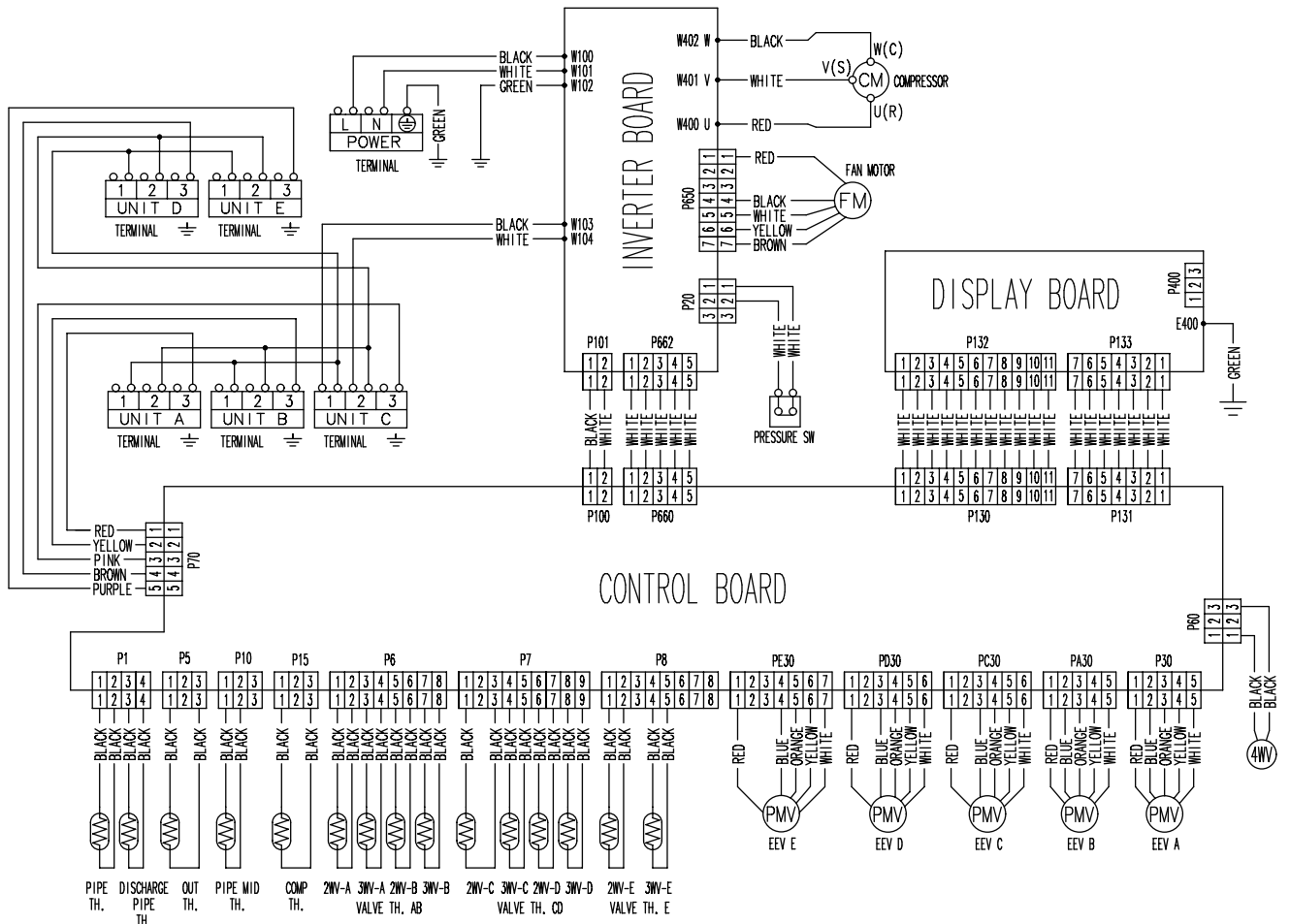
OUTDOOR UNIT
AOYG36KBT A5

TH_o : THERMISTOR(DISCHARGE TEMP.)
 TH_o : THERMISTOR(OUTDOOR TEMP.)
 TH_{p2} : THERMISTOR(PIPE TEMP.)
 TH_c : THERMISTOR(COMPRESSOR TEMP.)

TH_R : THERMISTOR(ROOM TEMP.)
 TH_{p1} : THERMISTOR(PIPE TEMP.)
 TH_{HM} : THERMISTOR(HEAT EXCHANGER MIDDLE TEMP.)

5. Wiring diagram

5-1. Model: AOYG36KBTA5



OUTDOOR UNIT
AOYG36KBTA5

OUTDOOR UNIT
AOYG36KBTA5

| Combination of indoor unit | | | | | | Rated capacity for each indoor unit (kW) | | | | | Total capacity (kW) | | | Input power (kW) | | | EER (W/W) | Seasonal data | | |
|----------------------------|---|----|----|-----|-------|--|------|------|------|------|---------------------|-------|------|------------------|-------|------|-----------|---------------|----------------|-------------------------|
| Room | | | | | Total | Room | | | | | Min. | Rated | Max. | Min. | Rated | Max. | | Pdesign (kW) | SEER (kWh/kWh) | Energy efficiency class |
| 1 | 2 | 3 | 4 | 5 | | 1 | 2 | 3 | 4 | 5 | | | | | | | | | | |
| 7 | 7 | 9 | 9 | 18 | 50 | 1.33 | 1.33 | 1.71 | 1.71 | 3.42 | 3.0 | 9.50 | 11.0 | 0.30 | 2.50 | 3.45 | 3.80 | 9.5 | 8.5 | A+++ |
| 7 | 7 | 9 | 9 | 22* | 32 | 1.23 | 1.23 | 1.58 | 1.58 | 3.88 | 3.0 | 9.50 | 11.0 | 0.30 | 2.50 | 3.45 | 3.80 | 9.5 | 8.5 | A+++ |
| 7 | 7 | 9 | 12 | 12 | 47 | 1.41 | 1.41 | 1.82 | 2.43 | 2.43 | 3.0 | 9.50 | 11.0 | 0.30 | 2.50 | 3.45 | 3.80 | 9.5 | 8.5 | A+++ |
| 7 | 7 | 9 | 12 | 14 | 49 | 1.36 | 1.36 | 1.74 | 2.33 | 2.71 | 3.0 | 9.50 | 11.0 | 0.30 | 2.50 | 3.45 | 3.80 | 9.5 | 8.5 | A+++ |
| 7 | 7 | 9 | 12 | 18 | 53 | 1.25 | 1.25 | 1.61 | 2.15 | 3.24 | 3.0 | 9.50 | 11.0 | 0.30 | 2.50 | 3.45 | 3.80 | 9.5 | 8.5 | A+++ |
| 7 | 7 | 9 | 14 | 14 | 51 | 1.30 | 1.30 | 1.68 | 2.61 | 2.61 | 3.0 | 9.50 | 11.0 | 0.30 | 2.50 | 3.45 | 3.80 | 9.5 | 8.5 | A+++ |
| 7 | 7 | 12 | 12 | 12 | 50 | 1.33 | 1.33 | 2.28 | 2.28 | 2.28 | 3.0 | 9.50 | 11.0 | 0.30 | 2.50 | 3.45 | 3.80 | 9.5 | 8.5 | A+++ |
| 7 | 7 | 12 | 12 | 14 | 52 | 1.28 | 1.28 | 2.19 | 2.19 | 2.56 | 3.0 | 9.50 | 11.0 | 0.30 | 2.50 | 3.45 | 3.80 | 9.5 | 8.5 | A+++ |
| 7 | 7 | 12 | 14 | 14 | 54 | 1.23 | 1.23 | 2.12 | 2.46 | 2.46 | 3.0 | 9.50 | 11.0 | 0.30 | 2.50 | 3.45 | 3.80 | 9.5 | 8.5 | A+++ |
| 7 | 9 | 9 | 9 | 9 | 43 | 1.54 | 1.99 | 1.99 | 1.99 | 1.99 | 3.0 | 9.50 | 11.0 | 0.30 | 2.50 | 3.45 | 3.80 | 9.5 | 8.5 | A+++ |
| 7 | 9 | 9 | 9 | 12 | 46 | 1.44 | 1.86 | 1.86 | 1.86 | 2.48 | 3.0 | 9.50 | 11.0 | 0.30 | 2.50 | 3.45 | 3.80 | 9.5 | 8.5 | A+++ |
| 7 | 9 | 9 | 9 | 14 | 48 | 1.39 | 1.78 | 1.78 | 1.78 | 2.77 | 3.0 | 9.50 | 11.0 | 0.30 | 2.50 | 3.45 | 3.80 | 9.5 | 8.5 | A+++ |
| 7 | 9 | 9 | 9 | 18 | 52 | 1.28 | 1.64 | 1.64 | 1.64 | 3.30 | 3.0 | 9.50 | 11.0 | 0.30 | 2.50 | 3.45 | 3.80 | 9.5 | 8.5 | A+++ |
| 7 | 9 | 9 | 12 | 12 | 49 | 1.36 | 1.74 | 1.74 | 2.33 | 2.33 | 3.0 | 9.50 | 11.0 | 0.30 | 2.50 | 3.45 | 3.80 | 9.5 | 8.5 | A+++ |
| 7 | 9 | 9 | 12 | 14 | 51 | 1.29 | 1.68 | 1.68 | 2.24 | 2.61 | 3.0 | 9.50 | 11.0 | 0.30 | 2.50 | 3.45 | 3.80 | 9.5 | 8.5 | A+++ |
| 7 | 9 | 9 | 14 | 14 | 53 | 1.26 | 1.61 | 1.61 | 2.51 | 2.51 | 3.0 | 9.50 | 11.0 | 0.30 | 2.50 | 3.45 | 3.80 | 9.5 | 8.5 | A+++ |
| 7 | 9 | 12 | 12 | 12 | 52 | 1.28 | 1.65 | 2.19 | 2.19 | 2.19 | 3.0 | 9.50 | 11.0 | 0.30 | 2.50 | 3.45 | 3.80 | 9.5 | 8.5 | A+++ |
| 7 | 9 | 12 | 12 | 14 | 54 | 1.23 | 1.58 | 2.11 | 2.11 | 2.47 | 3.0 | 9.50 | 11.0 | 0.30 | 2.50 | 3.45 | 3.80 | 9.5 | 8.5 | A+++ |
| 9 | 9 | 9 | 9 | 9 | 45 | 1.90 | 1.90 | 1.90 | 1.90 | 1.90 | 3.0 | 9.50 | 11.0 | 0.30 | 2.50 | 3.45 | 3.80 | 9.5 | 8.5 | A+++ |
| 9 | 9 | 9 | 9 | 12 | 48 | 1.78 | 1.78 | 1.78 | 1.78 | 2.38 | 3.0 | 9.50 | 11.0 | 0.30 | 2.50 | 3.45 | 3.80 | 9.5 | 8.5 | A+++ |
| 9 | 9 | 9 | 9 | 14 | 50 | 1.71 | 1.71 | 1.71 | 1.71 | 2.66 | 3.0 | 9.50 | 11.0 | 0.30 | 2.50 | 3.45 | 3.80 | 9.5 | 8.5 | A+++ |
| 9 | 9 | 9 | 9 | 18 | 54 | 1.58 | 1.58 | 1.58 | 1.58 | 3.18 | 3.0 | 9.50 | 11.0 | 0.30 | 2.50 | 3.45 | 3.80 | 9.5 | 8.5 | A+++ |
| 9 | 9 | 9 | 12 | 12 | 51 | 1.68 | 1.68 | 1.68 | 2.23 | 2.23 | 3.0 | 9.50 | 11.0 | 0.30 | 2.50 | 3.45 | 3.80 | 9.5 | 8.5 | A+++ |
| 9 | 9 | 9 | 12 | 14 | 53 | 1.61 | 1.61 | 1.61 | 2.15 | 2.52 | 3.0 | 9.50 | 11.0 | 0.30 | 2.50 | 3.45 | 3.80 | 9.5 | 8.5 | A+++ |
| 9 | 9 | 12 | 12 | 12 | 54 | 1.57 | 1.57 | 2.12 | 2.12 | 2.12 | 3.0 | 9.50 | 11.0 | 0.30 | 2.50 | 3.45 | 3.80 | 9.5 | 8.5 | A+++ |

OUTDOOR UNIT
AOYG36KBT5

OUTDOOR UNIT
AOYG36KBT5

NOTES:

- 7: 7,000 Btu/h, 9: 9,000 Btu/h, 12: 12,000 Btu/h, 14: 14,000 Btu/h, 18: 18,000 Btu/h, 22: 22,000 Btu/h, 24: 24,000 Btu/h
- Values mentioned in the table are based on the following conditions:
 - Power source of specifications: 230 V
 - Pipe length: 5 m, Height difference: 0 m (Outdoor unit—Indoor unit)
 - Cooling: Indoor temperature of 27 °CDB/19 °CWB, and outdoor temperature of 35 °CDB.
- 2 or more indoor units should be connected.
- The total ability of connected a indoor unit is from 27,000 Btu up to 54,000 Btu.
- *: As for the 22 model, wall-mounted type indoor unit is only connectable.

| Combination of indoor unit | | | | | | Rated capacity for each indoor unit (kW) | | | | | Total capacity (kW) | | | Input power (kW) | | | COP (W/W) | Seasonal data | | |
|----------------------------|---|----|----|----|-------|--|------|------|------|------|---------------------|-------|------|------------------|-------|------|-----------|---------------|----------------|-------------------------|
| Room | | | | | Total | Room | | | | | Min. | Rated | Max. | Min. | Rated | Max. | | Pdesign (kW) | SCOP (kWh/kWh) | Energy efficiency class |
| 1 | 2 | 3 | 4 | 5 | | 1 | 2 | 3 | 4 | 5 | | | | | | | | | | |
| 7 | 9 | 9 | 12 | 12 | 49 | 1.50 | 1.95 | 1.95 | 2.60 | 2.60 | 3.5 | 10.60 | 12.0 | 0.25 | 2.36 | 3.25 | 4.50 | 7.0 | 4.6 | A++ |
| 7 | 9 | 9 | 12 | 14 | 51 | 1.45 | 1.87 | 1.87 | 2.49 | 2.92 | 3.5 | 10.60 | 12.0 | 0.25 | 2.36 | 3.25 | 4.50 | 7.0 | 4.6 | A++ |
| 7 | 9 | 9 | 14 | 14 | 53 | 1.40 | 1.80 | 1.80 | 2.80 | 2.80 | 3.5 | 10.60 | 12.0 | 0.25 | 2.36 | 3.25 | 4.50 | 7.0 | 4.6 | A++ |
| 7 | 9 | 12 | 12 | 12 | 52 | 1.42 | 1.83 | 2.45 | 2.45 | 2.45 | 3.5 | 10.60 | 12.0 | 0.25 | 2.36 | 3.25 | 4.50 | 7.0 | 4.6 | A++ |
| 7 | 9 | 12 | 12 | 14 | 54 | 1.36 | 1.77 | 2.36 | 2.36 | 2.75 | 3.5 | 10.60 | 12.0 | 0.25 | 2.36 | 3.25 | 4.50 | 7.0 | 4.6 | A++ |
| 9 | 9 | 9 | 9 | 9 | 45 | 2.12 | 2.12 | 2.12 | 2.12 | 2.12 | 3.5 | 10.60 | 12.0 | 0.25 | 2.36 | 3.25 | 4.50 | 7.0 | 4.6 | A++ |
| 9 | 9 | 9 | 9 | 12 | 48 | 1.99 | 1.99 | 1.99 | 1.99 | 2.64 | 3.5 | 10.60 | 12.0 | 0.25 | 2.36 | 3.25 | 4.50 | 7.0 | 4.6 | A++ |
| 9 | 9 | 9 | 9 | 14 | 50 | 1.91 | 1.91 | 1.91 | 1.91 | 2.96 | 3.5 | 10.60 | 12.0 | 0.25 | 2.36 | 3.25 | 4.50 | 7.0 | 4.6 | A++ |
| 9 | 9 | 9 | 9 | 18 | 54 | 1.77 | 1.77 | 1.77 | 1.77 | 3.52 | 3.5 | 10.60 | 12.0 | 0.25 | 2.36 | 3.25 | 4.50 | 7.0 | 4.6 | A++ |
| 9 | 9 | 9 | 12 | 12 | 51 | 1.88 | 1.88 | 1.88 | 2.48 | 2.48 | 3.5 | 10.60 | 12.0 | 0.25 | 2.36 | 3.25 | 4.50 | 7.0 | 4.6 | A++ |
| 9 | 9 | 9 | 12 | 14 | 53 | 1.80 | 1.80 | 1.80 | 2.40 | 2.80 | 3.5 | 10.60 | 12.0 | 0.25 | 2.36 | 3.25 | 4.50 | 7.0 | 4.6 | A++ |
| 9 | 9 | 12 | 12 | 12 | 54 | 1.76 | 1.76 | 2.36 | 2.36 | 2.36 | 3.5 | 10.60 | 12.0 | 0.25 | 2.36 | 3.25 | 4.50 | 7.0 | 4.6 | A++ |

NOTES:

- 7: 7,000 Btu/h, 9: 9,000 Btu/h, 12: 12,000 Btu/h, 14: 14,000 Btu/h, 18: 18,000 Btu/h, 22: 22,000 Btu/h, 24: 24,000 Btu/h
- Values mentioned in the table are based on the following conditions:
 - Power source of specifications: 230 V
 - Pipe length: 5 m, Height difference: 0 m (Outdoor unit—Indoor unit)
 - Heating: Indoor temperature of 20 °CDB, and outdoor temperature of 7 °CDB/6 °CWB.
- 2 or more indoor units should be connected.
- The total ability of connected a indoor unit is from 27,000 Btu up to 54,000 Btu.
- *: As for the 22 model, wall-mounted type indoor unit is only connectable.

6-2. Cooling capacity

NOTE: Values mentioned in the table are calculated based on the maximum capacity.

Model: AOYG36KBTA5

| Indoor unit connect- ing capacity | Outdoor temperature | Indoor temperature | | | | | | | | | | | |
|--------------------------------------|---------------------|--------------------|------|-----------|------|-----------|------|-----------|------|-----------|------|-----------|------|
| | | 18.0 °CDB | | 21.0 °CDB | | 23.0 °CDB | | 27.0 °CDB | | 29.0 °CDB | | 32.0 °CDB | |
| | | 12.0 °CWB | | 15.0 °CWB | | 16.0 °CWB | | 19.0 °CWB | | 21.0 °CWB | | 23.0 °CWB | |
| kBtu/h | °CDB | TC | IP | TC | IP | TC | IP | TC | IP | TC | IP | TC | IP |
| 54 | -10.0 | 8.6 | 2.31 | 9.7 | 2.36 | 10.3 | 2.37 | 11.0 | 2.40 | 11.8 | 2.43 | 12.1 | 2.44 |
| | 0.0 | 8.6 | 2.08 | 9.7 | 2.12 | 10.3 | 2.13 | 11.0 | 2.16 | 11.8 | 2.18 | 12.1 | 2.19 |
| | 5.0 | 8.6 | 1.94 | 9.7 | 1.97 | 10.3 | 1.99 | 11.0 | 2.01 | 11.8 | 2.04 | 12.1 | 2.05 |
| | 10.0 | 8.6 | 1.88 | 9.7 | 1.91 | 10.3 | 1.93 | 11.0 | 1.95 | 11.8 | 1.97 | 12.1 | 1.98 |
| | 15.0 | 8.6 | 1.98 | 9.7 | 2.01 | 10.3 | 2.03 | 11.0 | 2.05 | 11.8 | 2.08 | 12.1 | 2.09 |
| | 20.0 | 8.6 | 1.97 | 9.7 | 2.00 | 10.3 | 2.02 | 11.0 | 2.04 | 11.8 | 2.07 | 12.1 | 2.08 |
| | 25.0 | 8.6 | 2.23 | 9.7 | 2.27 | 10.3 | 2.29 | 11.0 | 2.31 | 11.8 | 2.34 | 12.1 | 2.35 |
| | 30.0 | 8.6 | 2.68 | 9.7 | 2.72 | 10.3 | 2.75 | 11.0 | 2.78 | 11.8 | 2.81 | 12.1 | 2.82 |
| | 35.0 | 8.6 | 3.23 | 9.7 | 3.29 | 10.3 | 3.31 | 11.0 | 3.35 | 11.8 | 3.39 | 12.1 | 3.41 |
| | 40.0 | 6.4 | 2.40 | 7.2 | 2.45 | 7.6 | 2.47 | 8.2 | 2.49 | 8.7 | 2.52 | 9.0 | 2.54 |
| 46.0 | 4.2 | 1.58 | 4.7 | 1.61 | 5.0 | 1.62 | 5.3 | 1.64 | 5.7 | 1.66 | 5.9 | 1.67 | |
| 53 | -10.0 | 8.6 | 2.31 | 9.7 | 2.36 | 10.3 | 2.37 | 11.0 | 2.40 | 11.8 | 2.43 | 12.1 | 2.44 |
| | 0.0 | 8.6 | 2.08 | 9.7 | 2.12 | 10.3 | 2.13 | 11.0 | 2.16 | 11.8 | 2.18 | 12.1 | 2.19 |
| | 5.0 | 8.6 | 1.94 | 9.7 | 1.97 | 10.3 | 1.99 | 11.0 | 2.01 | 11.8 | 2.04 | 12.1 | 2.05 |
| | 10.0 | 8.6 | 1.88 | 9.7 | 1.91 | 10.3 | 1.93 | 11.0 | 1.95 | 11.8 | 1.97 | 12.1 | 1.98 |
| | 15.0 | 8.6 | 1.98 | 9.7 | 2.01 | 10.3 | 2.03 | 11.0 | 2.05 | 11.8 | 2.08 | 12.1 | 2.09 |
| | 20.0 | 8.6 | 1.97 | 9.7 | 2.00 | 10.3 | 2.02 | 11.0 | 2.04 | 11.8 | 2.07 | 12.1 | 2.08 |
| | 25.0 | 8.6 | 2.23 | 9.7 | 2.27 | 10.3 | 2.29 | 11.0 | 2.31 | 11.8 | 2.34 | 12.1 | 2.35 |
| | 30.0 | 8.6 | 2.68 | 9.7 | 2.72 | 10.3 | 2.75 | 11.0 | 2.78 | 11.8 | 2.81 | 12.1 | 2.82 |
| | 35.0 | 8.6 | 3.23 | 9.7 | 3.29 | 10.3 | 3.31 | 11.0 | 3.35 | 11.8 | 3.39 | 12.1 | 3.41 |
| | 40.0 | 6.4 | 2.40 | 7.2 | 2.45 | 7.6 | 2.47 | 8.2 | 2.49 | 8.7 | 2.52 | 9.0 | 2.54 |
| 46.0 | 4.2 | 1.58 | 4.7 | 1.61 | 5.0 | 1.62 | 5.3 | 1.64 | 5.7 | 1.66 | 5.9 | 1.67 | |
| 52 | -10.0 | 8.6 | 2.31 | 9.7 | 2.36 | 10.3 | 2.37 | 11.0 | 2.40 | 11.8 | 2.43 | 12.1 | 2.44 |
| | 0.0 | 8.6 | 2.08 | 9.7 | 2.12 | 10.3 | 2.13 | 11.0 | 2.16 | 11.8 | 2.18 | 12.1 | 2.19 |
| | 5.0 | 8.6 | 1.94 | 9.7 | 1.97 | 10.3 | 1.99 | 11.0 | 2.01 | 11.8 | 2.04 | 12.1 | 2.05 |
| | 10.0 | 8.6 | 1.88 | 9.7 | 1.91 | 10.3 | 1.93 | 11.0 | 1.95 | 11.8 | 1.97 | 12.1 | 1.98 |
| | 15.0 | 8.6 | 1.98 | 9.7 | 2.01 | 10.3 | 2.03 | 11.0 | 2.05 | 11.8 | 2.08 | 12.1 | 2.09 |
| | 20.0 | 8.6 | 1.97 | 9.7 | 2.00 | 10.3 | 2.02 | 11.0 | 2.04 | 11.8 | 2.07 | 12.1 | 2.08 |
| | 25.0 | 8.6 | 2.23 | 9.7 | 2.27 | 10.3 | 2.29 | 11.0 | 2.31 | 11.8 | 2.34 | 12.1 | 2.35 |
| | 30.0 | 8.6 | 2.68 | 9.7 | 2.72 | 10.3 | 2.75 | 11.0 | 2.78 | 11.8 | 2.81 | 12.1 | 2.82 |
| | 35.0 | 8.6 | 3.23 | 9.7 | 3.29 | 10.3 | 3.31 | 11.0 | 3.35 | 11.8 | 3.39 | 12.1 | 3.41 |
| | 40.0 | 6.4 | 2.40 | 7.2 | 2.45 | 7.6 | 2.47 | 8.2 | 2.49 | 8.7 | 2.52 | 9.0 | 2.54 |
| 46.0 | 4.2 | 1.58 | 4.7 | 1.61 | 5.0 | 1.62 | 5.3 | 1.64 | 5.7 | 1.66 | 5.9 | 1.67 | |
| 51 | -10.0 | 8.6 | 2.31 | 9.7 | 2.36 | 10.3 | 2.37 | 11.0 | 2.40 | 11.8 | 2.43 | 12.1 | 2.44 |
| | 0.0 | 8.6 | 2.08 | 9.7 | 2.12 | 10.3 | 2.13 | 11.0 | 2.16 | 11.8 | 2.18 | 12.1 | 2.19 |
| | 5.0 | 8.6 | 1.94 | 9.7 | 1.97 | 10.3 | 1.99 | 11.0 | 2.01 | 11.8 | 2.04 | 12.1 | 2.05 |
| | 10.0 | 8.6 | 1.88 | 9.7 | 1.91 | 10.3 | 1.93 | 11.0 | 1.95 | 11.8 | 1.97 | 12.1 | 1.98 |
| | 15.0 | 8.6 | 1.98 | 9.7 | 2.01 | 10.3 | 2.03 | 11.0 | 2.05 | 11.8 | 2.08 | 12.1 | 2.09 |
| | 20.0 | 8.6 | 1.97 | 9.7 | 2.00 | 10.3 | 2.02 | 11.0 | 2.04 | 11.8 | 2.07 | 12.1 | 2.08 |
| | 25.0 | 8.6 | 2.23 | 9.7 | 2.27 | 10.3 | 2.29 | 11.0 | 2.31 | 11.8 | 2.34 | 12.1 | 2.35 |
| | 30.0 | 8.6 | 2.68 | 9.7 | 2.72 | 10.3 | 2.75 | 11.0 | 2.78 | 11.8 | 2.81 | 12.1 | 2.82 |
| | 35.0 | 8.6 | 3.23 | 9.7 | 3.29 | 10.3 | 3.31 | 11.0 | 3.35 | 11.8 | 3.39 | 12.1 | 3.41 |
| | 40.0 | 6.4 | 2.40 | 7.2 | 2.45 | 7.6 | 2.47 | 8.2 | 2.49 | 8.7 | 2.52 | 9.0 | 2.54 |
| 46.0 | 4.2 | 1.58 | 4.7 | 1.61 | 5.0 | 1.62 | 5.3 | 1.64 | 5.7 | 1.66 | 5.9 | 1.67 | |
| 50 | -10.0 | 8.6 | 2.31 | 9.7 | 2.36 | 10.3 | 2.37 | 11.0 | 2.40 | 11.8 | 2.43 | 12.1 | 2.44 |
| | 0.0 | 8.6 | 2.08 | 9.7 | 2.12 | 10.3 | 2.13 | 11.0 | 2.16 | 11.8 | 2.18 | 12.1 | 2.19 |
| | 5.0 | 8.6 | 1.94 | 9.7 | 1.97 | 10.3 | 1.99 | 11.0 | 2.01 | 11.8 | 2.04 | 12.1 | 2.05 |
| | 10.0 | 8.6 | 1.88 | 9.7 | 1.91 | 10.3 | 1.93 | 11.0 | 1.95 | 11.8 | 1.97 | 12.1 | 1.98 |
| | 15.0 | 8.6 | 1.98 | 9.7 | 2.01 | 10.3 | 2.03 | 11.0 | 2.05 | 11.8 | 2.08 | 12.1 | 2.09 |
| | 20.0 | 8.6 | 1.97 | 9.7 | 2.00 | 10.3 | 2.02 | 11.0 | 2.04 | 11.8 | 2.07 | 12.1 | 2.08 |
| | 25.0 | 8.6 | 2.23 | 9.7 | 2.27 | 10.3 | 2.29 | 11.0 | 2.31 | 11.8 | 2.34 | 12.1 | 2.35 |
| | 30.0 | 8.6 | 2.68 | 9.7 | 2.72 | 10.3 | 2.75 | 11.0 | 2.78 | 11.8 | 2.81 | 12.1 | 2.82 |
| | 35.0 | 8.6 | 3.23 | 9.7 | 3.29 | 10.3 | 3.31 | 11.0 | 3.35 | 11.8 | 3.39 | 12.1 | 3.41 |
| | 40.0 | 6.4 | 2.40 | 7.2 | 2.45 | 7.6 | 2.47 | 8.2 | 2.49 | 8.7 | 2.52 | 9.0 | 2.54 |
| 46.0 | 4.2 | 1.58 | 4.7 | 1.61 | 5.0 | 1.62 | 5.3 | 1.64 | 5.7 | 1.66 | 5.9 | 1.67 | |
| 49 | -10.0 | 8.6 | 2.31 | 9.7 | 2.36 | 10.3 | 2.37 | 11.0 | 2.40 | 11.8 | 2.43 | 12.1 | 2.44 |
| | 0.0 | 8.6 | 2.08 | 9.7 | 2.12 | 10.3 | 2.13 | 11.0 | 2.16 | 11.8 | 2.18 | 12.1 | 2.19 |
| | 5.0 | 8.6 | 1.94 | 9.7 | 1.97 | 10.3 | 1.99 | 11.0 | 2.01 | 11.8 | 2.04 | 12.1 | 2.05 |
| | 10.0 | 8.6 | 1.88 | 9.7 | 1.91 | 10.3 | 1.93 | 11.0 | 1.95 | 11.8 | 1.97 | 12.1 | 1.98 |
| | 15.0 | 8.6 | 1.98 | 9.7 | 2.01 | 10.3 | 2.03 | 11.0 | 2.05 | 11.8 | 2.08 | 12.1 | 2.09 |
| | 20.0 | 8.6 | 1.97 | 9.7 | 2.00 | 10.3 | 2.02 | 11.0 | 2.04 | 11.8 | 2.07 | 12.1 | 2.08 |
| | 25.0 | 8.6 | 2.23 | 9.7 | 2.27 | 10.3 | 2.29 | 11.0 | 2.31 | 11.8 | 2.34 | 12.1 | 2.35 |
| | 30.0 | 8.6 | 2.68 | 9.7 | 2.72 | 10.3 | 2.75 | 11.0 | 2.78 | 11.8 | 2.81 | 12.1 | 2.82 |
| | 35.0 | 8.6 | 3.23 | 9.7 | 3.29 | 10.3 | 3.31 | 11.0 | 3.35 | 11.8 | 3.39 | 12.1 | 3.41 |
| | 40.0 | 6.4 | 2.40 | 7.2 | 2.45 | 7.6 | 2.47 | 8.2 | 2.49 | 8.7 | 2.52 | 9.0 | 2.54 |
| 46.0 | 4.2 | 1.58 | 4.7 | 1.61 | 5.0 | 1.62 | 5.3 | 1.64 | 5.7 | 1.66 | 5.9 | 1.67 | |
| 48 | -10.0 | 8.6 | 2.31 | 9.7 | 2.36 | 10.3 | 2.37 | 11.0 | 2.40 | 11.8 | 2.43 | 12.1 | 2.44 |
| | 0.0 | 8.6 | 2.08 | 9.7 | 2.12 | 10.3 | 2.13 | 11.0 | 2.16 | 11.8 | 2.18 | 12.1 | 2.19 |
| | 5.0 | 8.6 | 1.94 | 9.7 | 1.97 | 10.3 | 1.99 | 11.0 | 2.01 | 11.8 | 2.04 | 12.1 | 2.05 |
| | 10.0 | 8.6 | 1.88 | 9.7 | 1.91 | 10.3 | 1.93 | 11.0 | 1.95 | 11.8 | 1.97 | 12.1 | 1.98 |
| | 15.0 | 8.6 | 1.98 | 9.7 | 2.01 | 10.3 | 2.03 | 11.0 | 2.05 | 11.8 | 2.08 | 12.1 | 2.09 |
| | 20.0 | 8.6 | 1.97 | 9.7 | 2.00 | 10.3 | 2.02 | 11.0 | 2.04 | 11.8 | 2.07 | 12.1 | 2.08 |
| | 25.0 | 8.6 | 2.23 | 9.7 | 2.27 | 10.3 | 2.29 | 11.0 | 2.31 | 11.8 | 2.34 | 12.1 | 2.35 |
| | 30.0 | 8.6 | 2.68 | 9.7 | 2.72 | 10.3 | 2.75 | 11.0 | 2.78 | 11.8 | 2.81 | 12.1 | 2.82 |
| | 35.0 | 8.6 | 3.23 | 9.7 | 3.29 | 10.3 | 3.31 | 11.0 | 3.35 | 11.8 | 3.39 | 12.1 | 3.41 |
| | 40.0 | 6.4 | 2.40 | 7.2 | 2.45 | 7.6 | 2.47 | 8.2 | 2.49 | 8.7 | 2.52 | 9.0 | 2.54 |
| 46.0 | 4.2 | 1.58 | 4.7 | 1.61 | 5.0 | 1.62 | 5.3 | 1.64 | 5.7 | 1.66 | 5.9 | 1.67 | |

OUTDOOR UNIT
AOYG36KBTA5

OUTDOOR UNIT
AOYG36KBTA5

OUTDOOR UNIT
AOYG36KBTAs

OUTDOOR UNIT
AOYG36KBTAs

| Indoor unit connect- ing capacity | Outdoor temperature | Indoor temperature | | | | | | | | | | | |
|--------------------------------------|---------------------|--------------------|------|-----------|------|-----------|------|-----------|------|-----------|------|-----------|------|
| | | 18.0 °CDB | | 21.0 °CDB | | 23.0 °CDB | | 27.0 °CDB | | 29.0 °CDB | | 32.0 °CDB | |
| | | 12.0 °CWB | | 15.0 °CWB | | 16.0 °CWB | | 19.0 °CWB | | 21.0 °CWB | | 23.0 °CWB | |
| kBtu/h | °CDB | TC | IP | TC | IP | TC | IP | TC | IP | TC | IP | TC | IP |
| 31 | -10.0 | 8.6 | 2.31 | 9.7 | 2.36 | 10.3 | 2.37 | 11.0 | 2.40 | 11.8 | 2.43 | 12.1 | 2.44 |
| | 0.0 | 8.6 | 2.08 | 9.7 | 2.12 | 10.3 | 2.13 | 11.0 | 2.16 | 11.8 | 2.18 | 12.1 | 2.19 |
| | 5.0 | 8.6 | 1.94 | 9.7 | 1.97 | 10.3 | 1.99 | 11.0 | 2.01 | 11.8 | 2.04 | 12.1 | 2.05 |
| | 10.0 | 8.6 | 1.88 | 9.7 | 1.91 | 10.3 | 1.93 | 11.0 | 1.95 | 11.8 | 1.97 | 12.1 | 1.98 |
| | 15.0 | 8.6 | 1.98 | 9.7 | 2.01 | 10.3 | 2.03 | 11.0 | 2.05 | 11.8 | 2.08 | 12.1 | 2.09 |
| | 20.0 | 8.6 | 1.97 | 9.7 | 2.00 | 10.3 | 2.02 | 11.0 | 2.04 | 11.8 | 2.07 | 12.1 | 2.08 |
| | 25.0 | 8.6 | 2.23 | 9.7 | 2.27 | 10.3 | 2.29 | 11.0 | 2.31 | 11.8 | 2.34 | 12.1 | 2.35 |
| | 30.0 | 8.6 | 2.68 | 9.7 | 2.72 | 10.3 | 2.75 | 11.0 | 2.78 | 11.8 | 2.81 | 12.1 | 2.82 |
| | 35.0 | 8.6 | 3.23 | 9.7 | 3.29 | 10.3 | 3.31 | 11.0 | 3.35 | 11.8 | 3.39 | 12.1 | 3.41 |
| | 40.0 | 6.4 | 2.40 | 7.2 | 2.45 | 7.6 | 2.47 | 8.2 | 2.49 | 8.7 | 2.52 | 9.0 | 2.54 |
| 46.0 | 6.4 | 1.58 | 7.2 | 1.61 | 7.6 | 1.62 | 8.2 | 1.64 | 8.7 | 1.66 | 9.0 | 1.67 | |
| 30 | -10.0 | 8.4 | 2.24 | 9.5 | 2.28 | 10.0 | 2.30 | 10.7 | 2.32 | 11.4 | 2.35 | 11.8 | 2.36 |
| | 0.0 | 8.4 | 2.01 | 9.5 | 2.05 | 10.0 | 2.06 | 10.7 | 2.09 | 11.4 | 2.11 | 11.8 | 2.12 |
| | 5.0 | 8.4 | 1.88 | 9.5 | 1.91 | 10.0 | 1.93 | 10.7 | 1.95 | 11.4 | 1.97 | 11.8 | 1.98 |
| | 10.0 | 8.4 | 1.82 | 9.5 | 1.85 | 10.0 | 1.86 | 10.7 | 1.89 | 11.4 | 1.91 | 11.8 | 1.92 |
| | 15.0 | 8.4 | 1.91 | 9.5 | 1.95 | 10.0 | 1.96 | 10.7 | 1.99 | 11.4 | 2.01 | 11.8 | 2.02 |
| | 20.0 | 8.4 | 1.90 | 9.5 | 1.94 | 10.0 | 1.95 | 10.7 | 1.98 | 11.4 | 2.00 | 11.8 | 2.01 |
| | 25.0 | 8.4 | 2.15 | 9.5 | 2.19 | 10.0 | 2.21 | 10.7 | 2.23 | 11.4 | 2.26 | 11.8 | 2.27 |
| | 30.0 | 8.4 | 2.59 | 9.5 | 2.63 | 10.0 | 2.66 | 10.7 | 2.69 | 11.4 | 2.72 | 11.8 | 2.73 |
| | 35.0 | 8.4 | 3.12 | 9.5 | 3.18 | 10.0 | 3.20 | 10.7 | 3.24 | 11.4 | 3.28 | 11.8 | 3.30 |
| | 40.0 | 6.2 | 2.33 | 7.0 | 2.37 | 7.4 | 2.39 | 7.9 | 2.41 | 8.5 | 2.44 | 8.8 | 2.45 |
| 46.0 | 6.2 | 1.53 | 7.0 | 1.56 | 7.4 | 1.57 | 7.9 | 1.59 | 8.5 | 1.60 | 8.8 | 1.61 | |
| 28 | -10.0 | 7.8 | 2.06 | 8.9 | 2.10 | 9.3 | 2.11 | 10.0 | 2.14 | 10.7 | 2.16 | 11.0 | 2.17 |
| | 0.0 | 7.8 | 1.85 | 8.9 | 1.88 | 9.3 | 1.90 | 10.0 | 1.92 | 10.7 | 1.94 | 11.0 | 1.95 |
| | 5.0 | 7.8 | 1.73 | 8.9 | 1.76 | 9.3 | 1.77 | 10.0 | 1.79 | 10.7 | 1.81 | 11.0 | 1.82 |
| | 10.0 | 7.8 | 1.67 | 8.9 | 1.70 | 9.3 | 1.72 | 10.0 | 1.74 | 10.7 | 1.76 | 11.0 | 1.77 |
| | 15.0 | 7.8 | 1.76 | 8.9 | 1.79 | 9.3 | 1.81 | 10.0 | 1.83 | 10.7 | 1.85 | 11.0 | 1.86 |
| | 20.0 | 7.8 | 1.75 | 8.9 | 1.78 | 9.3 | 1.80 | 10.0 | 1.82 | 10.7 | 1.84 | 11.0 | 1.85 |
| | 25.0 | 7.8 | 1.98 | 8.9 | 2.02 | 9.3 | 2.04 | 10.0 | 2.06 | 10.7 | 2.08 | 11.0 | 2.09 |
| | 30.0 | 7.8 | 2.38 | 8.9 | 2.43 | 9.3 | 2.45 | 10.0 | 2.47 | 10.7 | 2.50 | 11.0 | 2.52 |
| | 35.0 | 7.8 | 2.88 | 8.9 | 2.93 | 9.3 | 2.95 | 10.0 | 2.98 | 10.7 | 3.02 | 11.0 | 3.03 |
| | 40.0 | 5.8 | 2.14 | 6.6 | 2.18 | 6.9 | 2.20 | 7.4 | 2.22 | 7.9 | 2.25 | 8.2 | 2.26 |
| 46.0 | 5.8 | 1.41 | 6.6 | 1.43 | 6.9 | 1.44 | 7.4 | 1.46 | 7.9 | 1.48 | 8.2 | 1.49 | |
| 27 | -10.0 | 7.5 | 1.96 | 8.5 | 1.99 | 9.0 | 2.01 | 9.6 | 2.03 | 10.3 | 2.06 | 10.6 | 2.07 |
| | 0.0 | 7.5 | 1.76 | 8.5 | 1.79 | 9.0 | 1.81 | 9.6 | 1.83 | 10.3 | 1.85 | 10.6 | 1.86 |
| | 5.0 | 7.5 | 1.64 | 8.5 | 1.67 | 9.0 | 1.69 | 9.6 | 1.70 | 10.3 | 1.72 | 10.6 | 1.73 |
| | 10.0 | 7.5 | 1.59 | 8.5 | 1.62 | 9.0 | 1.63 | 9.6 | 1.65 | 10.3 | 1.67 | 10.6 | 1.68 |
| | 15.0 | 7.5 | 1.68 | 8.5 | 1.71 | 9.0 | 1.72 | 9.6 | 1.74 | 10.3 | 1.76 | 10.6 | 1.77 |
| | 20.0 | 7.5 | 1.67 | 8.5 | 1.70 | 9.0 | 1.71 | 9.6 | 1.73 | 10.3 | 1.75 | 10.6 | 1.76 |
| | 25.0 | 7.5 | 1.89 | 8.5 | 1.92 | 9.0 | 1.94 | 9.6 | 1.96 | 10.3 | 1.98 | 10.6 | 1.99 |
| | 30.0 | 7.5 | 2.27 | 8.5 | 2.31 | 9.0 | 2.33 | 9.6 | 2.35 | 10.3 | 2.38 | 10.6 | 2.39 |
| | 35.0 | 7.5 | 2.73 | 8.5 | 2.78 | 9.0 | 2.81 | 9.6 | 2.84 | 10.3 | 2.87 | 10.6 | 2.89 |
| | 40.0 | 5.6 | 2.04 | 6.3 | 2.07 | 6.7 | 2.09 | 7.1 | 2.11 | 7.6 | 2.14 | 7.9 | 2.15 |
| 46.0 | 5.6 | 1.34 | 6.3 | 1.36 | 6.7 | 1.37 | 7.1 | 1.39 | 7.6 | 1.40 | 7.9 | 1.41 | |

NOTES:

- TC: Total Capacity (kW), IP: Input Power (kW)
- Values mentioned in the table are based on the following conditions:
 - Power source of specifications: 230 V
 - Pipe length: 5 m, Height difference: 0 m (Outdoor unit—Indoor unit)
- 2 or more indoor units should be connected.
- The total ability of connected indoor unit is from 27,000 Btu/h up to 54,000 Btu/h.
- Input in the table are calculated based on the maximum indoor unit input combinations.

● Compact cassette type

Model: AUXG07KVLA

| Outdoor temperature | Indoor temperature (°CDB / °CWB) | | | | | | | | | | | |
|---------------------|----------------------------------|------|-------------|------|-------------|------|-------------|------|-------------|------|-------------|------|
| | 18.0 / 12.0 | | 21.0 / 15.0 | | 23.0 / 16.0 | | 27.0 / 19.0 | | 29.0 / 21.0 | | 32.0 / 23.0 | |
| (°CDB) | TC | SHC | TC | SHC | TC | SHC | TC | SHC | TC | SHC | TC | SHC |
| -10.0 | 1.96 | 1.32 | 2.22 | 1.51 | 2.34 | 1.74 | 2.50 | 1.95 | 2.67 | 2.13 | 2.76 | 2.44 |
| -5.0 | 1.96 | 1.32 | 2.22 | 1.51 | 2.34 | 1.74 | 2.50 | 1.95 | 2.67 | 2.13 | 2.76 | 2.44 |
| 0.0 | 1.96 | 1.32 | 2.22 | 1.51 | 2.34 | 1.74 | 2.50 | 1.95 | 2.67 | 2.13 | 2.76 | 2.44 |
| 5.0 | 1.96 | 1.32 | 2.22 | 1.51 | 2.34 | 1.74 | 2.50 | 1.95 | 2.67 | 2.13 | 2.76 | 2.44 |
| 10.0 | 1.96 | 1.32 | 2.22 | 1.51 | 2.34 | 1.74 | 2.50 | 1.95 | 2.67 | 2.13 | 2.76 | 2.44 |
| 15.0 | 1.96 | 1.32 | 2.22 | 1.51 | 2.34 | 1.74 | 2.50 | 1.95 | 2.67 | 2.13 | 2.76 | 2.44 |
| 20.0 | 1.96 | 1.32 | 2.22 | 1.51 | 2.34 | 1.74 | 2.50 | 1.95 | 2.67 | 2.13 | 2.76 | 2.44 |
| 25.0 | 1.96 | 1.32 | 2.22 | 1.51 | 2.34 | 1.74 | 2.50 | 1.95 | 2.67 | 2.13 | 2.76 | 2.44 |
| 30.0 | 1.96 | 1.32 | 2.22 | 1.51 | 2.34 | 1.74 | 2.50 | 1.95 | 2.67 | 2.13 | 2.76 | 2.44 |
| 35.0 | 1.96 | 1.32 | 2.22 | 1.51 | 2.34 | 1.74 | 2.50 | 1.95 | 2.67 | 2.13 | 2.76 | 2.44 |
| 40.0 | 1.45 | 0.72 | 1.64 | 0.83 | 1.73 | 0.95 | 1.85 | 1.07 | 1.98 | 1.17 | 2.04 | 1.34 |
| 46.0 | 0.94 | 0.30 | 1.06 | 0.35 | 1.12 | 0.40 | 1.20 | 0.45 | 1.28 | 0.49 | 1.32 | 0.56 |

Model: AUXG09KVLA

| Outdoor temperature | Indoor temperature (°CDB / °CWB) | | | | | | | | | | | |
|---------------------|----------------------------------|------|-------------|------|-------------|------|-------------|------|-------------|------|-------------|------|
| | 18.0 / 12.0 | | 21.0 / 15.0 | | 23.0 / 16.0 | | 27.0 / 19.0 | | 29.0 / 21.0 | | 32.0 / 23.0 | |
| (°CDB) | TC | SHC | TC | SHC | TC | SHC | TC | SHC | TC | SHC | TC | SHC |
| -10.0 | 2.51 | 1.67 | 2.84 | 1.90 | 2.99 | 2.19 | 3.20 | 2.46 | 3.42 | 2.69 | 3.53 | 3.09 |
| -5.0 | 2.51 | 1.67 | 2.84 | 1.90 | 2.99 | 2.19 | 3.20 | 2.46 | 3.42 | 2.69 | 3.53 | 3.09 |
| 0.0 | 2.51 | 1.67 | 2.84 | 1.90 | 2.99 | 2.19 | 3.20 | 2.46 | 3.42 | 2.69 | 3.53 | 3.09 |
| 5.0 | 2.51 | 1.67 | 2.84 | 1.90 | 2.99 | 2.19 | 3.20 | 2.46 | 3.42 | 2.69 | 3.53 | 3.09 |
| 10.0 | 2.51 | 1.67 | 2.84 | 1.90 | 2.99 | 2.19 | 3.20 | 2.46 | 3.42 | 2.69 | 3.53 | 3.09 |
| 15.0 | 2.51 | 1.67 | 2.84 | 1.90 | 2.99 | 2.19 | 3.20 | 2.46 | 3.42 | 2.69 | 3.53 | 3.09 |
| 20.0 | 2.51 | 1.67 | 2.84 | 1.90 | 2.99 | 2.19 | 3.20 | 2.46 | 3.42 | 2.69 | 3.53 | 3.09 |
| 25.0 | 2.51 | 1.67 | 2.84 | 1.90 | 2.99 | 2.19 | 3.20 | 2.46 | 3.42 | 2.69 | 3.53 | 3.09 |
| 30.0 | 2.51 | 1.67 | 2.84 | 1.90 | 2.99 | 2.19 | 3.20 | 2.46 | 3.42 | 2.69 | 3.53 | 3.09 |
| 35.0 | 2.51 | 1.67 | 2.84 | 1.90 | 2.99 | 2.19 | 3.20 | 2.46 | 3.42 | 2.69 | 3.53 | 3.09 |
| 40.0 | 1.86 | 0.92 | 2.10 | 1.04 | 2.21 | 1.20 | 2.37 | 1.35 | 2.53 | 1.48 | 2.61 | 1.69 |
| 46.0 | 1.20 | 0.38 | 1.36 | 0.44 | 1.43 | 0.51 | 1.54 | 0.57 | 1.64 | 0.62 | 1.69 | 0.71 |

Model: AUXG12KVLA

| Outdoor temperature | Indoor temperature (°CDB / °CWB) | | | | | | | | | | | |
|---------------------|----------------------------------|------|-------------|------|-------------|------|-------------|------|-------------|------|-------------|------|
| | 18.0 / 12.0 | | 21.0 / 15.0 | | 23.0 / 16.0 | | 27.0 / 19.0 | | 29.0 / 21.0 | | 32.0 / 23.0 | |
| (°CDB) | TC | SHC | TC | SHC | TC | SHC | TC | SHC | TC | SHC | TC | SHC |
| -10.0 | 3.37 | 2.22 | 3.81 | 2.53 | 4.02 | 2.91 | 4.30 | 3.27 | 4.60 | 3.57 | 4.74 | 4.10 |
| -5.0 | 3.37 | 2.22 | 3.81 | 2.53 | 4.02 | 2.91 | 4.30 | 3.27 | 4.60 | 3.57 | 4.74 | 4.10 |
| 0.0 | 3.37 | 2.22 | 3.81 | 2.53 | 4.02 | 2.91 | 4.30 | 3.27 | 4.60 | 3.57 | 4.74 | 4.10 |
| 5.0 | 3.37 | 2.22 | 3.81 | 2.53 | 4.02 | 2.91 | 4.30 | 3.27 | 4.60 | 3.57 | 4.74 | 4.10 |
| 10.0 | 3.37 | 2.22 | 3.81 | 2.53 | 4.02 | 2.91 | 4.30 | 3.27 | 4.60 | 3.57 | 4.74 | 4.10 |
| 15.0 | 3.37 | 2.22 | 3.81 | 2.53 | 4.02 | 2.91 | 4.30 | 3.27 | 4.60 | 3.57 | 4.74 | 4.10 |
| 20.0 | 3.37 | 2.22 | 3.81 | 2.53 | 4.02 | 2.91 | 4.30 | 3.27 | 4.60 | 3.57 | 4.74 | 4.10 |
| 25.0 | 3.37 | 2.22 | 3.81 | 2.53 | 4.02 | 2.91 | 4.30 | 3.27 | 4.60 | 3.57 | 4.74 | 4.10 |
| 30.0 | 3.37 | 2.22 | 3.81 | 2.53 | 4.02 | 2.91 | 4.30 | 3.27 | 4.60 | 3.57 | 4.74 | 4.10 |
| 35.0 | 3.37 | 2.22 | 3.81 | 2.53 | 4.02 | 2.91 | 4.30 | 3.27 | 4.60 | 3.57 | 4.74 | 4.10 |
| 40.0 | 2.49 | 1.21 | 2.82 | 1.38 | 2.97 | 1.59 | 3.18 | 1.79 | 3.40 | 1.96 | 3.51 | 2.24 |
| 46.0 | 1.62 | 0.51 | 1.83 | 0.58 | 1.93 | 0.67 | 2.06 | 0.75 | 2.21 | 0.82 | 2.27 | 0.94 |

Model: AUXG14KVLA

| Outdoor temperature | Indoor temperature (°CDB / °CWB) | | | | | | | | | | | |
|---------------------|----------------------------------|------|-------------|------|-------------|------|-------------|------|-------------|------|-------------|------|
| | 18.0 / 12.0 | | 21.0 / 15.0 | | 23.0 / 16.0 | | 27.0 / 19.0 | | 29.0 / 21.0 | | 32.0 / 23.0 | |
| (°CDB) | TC | SHC | TC | SHC | TC | SHC | TC | SHC | TC | SHC | TC | SHC |
| -10.0 | 3.92 | 2.44 | 4.43 | 2.78 | 4.67 | 3.20 | 5.00 | 3.60 | 5.35 | 3.94 | 5.51 | 4.51 |
| -5.0 | 3.92 | 2.44 | 4.43 | 2.78 | 4.67 | 3.20 | 5.00 | 3.60 | 5.35 | 3.94 | 5.51 | 4.51 |
| 0.0 | 3.92 | 2.44 | 4.43 | 2.78 | 4.67 | 3.20 | 5.00 | 3.60 | 5.35 | 3.94 | 5.51 | 4.51 |
| 5.0 | 3.92 | 2.44 | 4.43 | 2.78 | 4.67 | 3.20 | 5.00 | 3.60 | 5.35 | 3.94 | 5.51 | 4.51 |
| 10.0 | 3.92 | 2.44 | 4.43 | 2.78 | 4.67 | 3.20 | 5.00 | 3.60 | 5.35 | 3.94 | 5.51 | 4.51 |
| 15.0 | 3.92 | 2.44 | 4.43 | 2.78 | 4.67 | 3.20 | 5.00 | 3.60 | 5.35 | 3.94 | 5.51 | 4.51 |
| 20.0 | 3.92 | 2.44 | 4.43 | 2.78 | 4.67 | 3.20 | 5.00 | 3.60 | 5.35 | 3.94 | 5.51 | 4.51 |
| 25.0 | 3.92 | 2.44 | 4.43 | 2.78 | 4.67 | 3.20 | 5.00 | 3.60 | 5.35 | 3.94 | 5.51 | 4.51 |
| 30.0 | 3.92 | 2.44 | 4.43 | 2.78 | 4.67 | 3.20 | 5.00 | 3.60 | 5.35 | 3.94 | 5.51 | 4.51 |
| 35.0 | 3.92 | 2.44 | 4.43 | 2.78 | 4.67 | 3.20 | 5.00 | 3.60 | 5.35 | 3.94 | 5.51 | 4.51 |
| 40.0 | 2.90 | 1.34 | 3.28 | 1.52 | 3.46 | 1.75 | 3.70 | 1.97 | 3.96 | 2.16 | 4.08 | 2.47 |
| 46.0 | 1.88 | 0.56 | 2.13 | 0.64 | 2.24 | 0.74 | 2.40 | 0.83 | 2.57 | 0.91 | 2.64 | 1.04 |

Model: AUXG18KVLA

| Outdoor temperature | Indoor temperature (°CDB / °CWB) | | | | | | | | | | | |
|---------------------|----------------------------------|------|-------------|------|-------------|------|-------------|------|-------------|------|-------------|------|
| | 18.0 / 12.0 | | 21.0 / 15.0 | | 23.0 / 16.0 | | 27.0 / 19.0 | | 29.0 / 21.0 | | 32.0 / 23.0 | |
| (°CDB) | TC | SHC | TC | SHC | TC | SHC | TC | SHC | TC | SHC | TC | SHC |
| -10.0 | 4.85 | 2.94 | 5.48 | 3.35 | 5.78 | 3.86 | 6.19 | 4.33 | 6.62 | 4.74 | 6.82 | 5.43 |
| -5.0 | 4.85 | 2.94 | 5.48 | 3.35 | 5.78 | 3.86 | 6.19 | 4.33 | 6.62 | 4.74 | 6.82 | 5.43 |
| 0.0 | 4.85 | 2.94 | 5.48 | 3.35 | 5.78 | 3.86 | 6.19 | 4.33 | 6.62 | 4.74 | 6.82 | 5.43 |
| 5.0 | 4.85 | 2.94 | 5.48 | 3.35 | 5.78 | 3.86 | 6.19 | 4.33 | 6.62 | 4.74 | 6.82 | 5.43 |
| 10.0 | 4.85 | 2.94 | 5.48 | 3.35 | 5.78 | 3.86 | 6.19 | 4.33 | 6.62 | 4.74 | 6.82 | 5.43 |
| 15.0 | 4.85 | 2.94 | 5.48 | 3.35 | 5.78 | 3.86 | 6.19 | 4.33 | 6.62 | 4.74 | 6.82 | 5.43 |
| 20.0 | 4.85 | 2.94 | 5.48 | 3.35 | 5.78 | 3.86 | 6.19 | 4.33 | 6.62 | 4.74 | 6.82 | 5.43 |
| 25.0 | 4.85 | 2.94 | 5.48 | 3.35 | 5.78 | 3.86 | 6.19 | 4.33 | 6.62 | 4.74 | 6.82 | 5.43 |
| 30.0 | 4.85 | 2.94 | 5.48 | 3.35 | 5.78 | 3.86 | 6.19 | 4.33 | 6.62 | 4.74 | 6.82 | 5.43 |
| 35.0 | 4.85 | 2.94 | 5.48 | 3.35 | 5.78 | 3.86 | 6.19 | 4.33 | 6.62 | 4.74 | 6.82 | 5.43 |
| 40.0 | 3.59 | 1.61 | 4.06 | 1.83 | 4.28 | 2.11 | 4.58 | 2.37 | 4.90 | 2.60 | 5.05 | 2.97 |
| 46.0 | 2.33 | 0.68 | 2.63 | 0.77 | 2.78 | 0.89 | 2.97 | 1.00 | 3.18 | 1.09 | 3.27 | 1.25 |

Model: AUXG22KVLA

| Outdoor temperature | Indoor temperature (°CDB / °CWB) | | | | | | | | | | | |
|---------------------|----------------------------------|------|-------------|------|-------------|------|-------------|------|-------------|------|-------------|------|
| | 18.0 / 12.0 | | 21.0 / 15.0 | | 23.0 / 16.0 | | 27.0 / 19.0 | | 29.0 / 21.0 | | 32.0 / 23.0 | |
| (°CDB) | TC | SHC | TC | SHC | TC | SHC | TC | SHC | TC | SHC | TC | SHC |
| -10.0 | 6.12 | 3.70 | 6.91 | 4.22 | 7.29 | 4.86 | 7.80 | 5.46 | 8.34 | 5.97 | 8.60 | 6.84 |
| -5.0 | 6.12 | 3.70 | 6.91 | 4.22 | 7.29 | 4.86 | 7.80 | 5.46 | 8.34 | 5.97 | 8.60 | 6.84 |
| 0.0 | 6.12 | 3.70 | 6.91 | 4.22 | 7.29 | 4.86 | 7.80 | 5.46 | 8.34 | 5.97 | 8.60 | 6.84 |
| 5.0 | 6.12 | 3.70 | 6.91 | 4.22 | 7.29 | 4.86 | 7.80 | 5.46 | 8.34 | 5.97 | 8.60 | 6.84 |
| 10.0 | 6.12 | 3.70 | 6.91 | 4.22 | 7.29 | 4.86 | 7.80 | 5.46 | 8.34 | 5.97 | 8.60 | 6.84 |
| 15.0 | 6.12 | 3.70 | 6.91 | 4.22 | 7.29 | 4.86 | 7.80 | 5.46 | 8.34 | 5.97 | 8.60 | 6.84 |
| 20.0 | 6.12 | 3.70 | 6.91 | 4.22 | 7.29 | 4.86 | 7.80 | 5.46 | 8.34 | 5.97 | 8.60 | 6.84 |
| 25.0 | 6.12 | 3.70 | 6.91 | 4.22 | 7.29 | 4.86 | 7.80 | 5.46 | 8.34 | 5.97 | 8.60 | 6.84 |
| 30.0 | 6.12 | 3.70 | 6.91 | 4.22 | 7.29 | 4.86 | 7.80 | 5.46 | 8.34 | 5.97 | 8.60 | 6.84 |
| 35.0 | 6.12 | 3.70 | 6.91 | 4.22 | 7.29 | 4.86 | 7.80 | 5.46 | 8.34 | 5.97 | 8.60 | 6.84 |
| 40.0 | 4.53 | 2.03 | 5.11 | 2.31 | 5.39 | 2.66 | 5.77 | 2.99 | 6.17 | 3.27 | 6.36 | 3.75 |
| 46.0 | 2.94 | 0.85 | 3.32 | 0.97 | 3.50 | 1.12 | 3.74 | 1.26 | 4.00 | 1.38 | 4.13 | 1.58 |

NOTES:

- TC: Total Capacity (kW), SHC: Sensible Heat Capacity (kW)
- Values mentioned in the table are based on the following conditions:
 - Pipe length: 5 m, Height difference: 0 m (Outdoor unit—Indoor unit)

● Mini duct type

Model: ARXG07KSLAP

| Outdoor temperature | Indoor temperature (°CDB / °CWB) | | | | | | | | | | | |
|---------------------|----------------------------------|------|-------------|------|-------------|------|-------------|------|-------------|------|-------------|------|
| | 18.0 / 12.0 | | 21.0 / 15.0 | | 23.0 / 16.0 | | 27.0 / 19.0 | | 29.0 / 21.0 | | 32.0 / 23.0 | |
| (°CDB) | TC | SHC | TC | SHC | TC | SHC | TC | SHC | TC | SHC | TC | SHC |
| -10.0 | 1.96 | 1.36 | 2.22 | 1.55 | 2.34 | 1.78 | 2.50 | 2.00 | 2.67 | 2.19 | 2.76 | 2.51 |
| -5.0 | 1.96 | 1.36 | 2.22 | 1.55 | 2.34 | 1.78 | 2.50 | 2.00 | 2.67 | 2.19 | 2.76 | 2.51 |
| 0.0 | 1.96 | 1.36 | 2.22 | 1.55 | 2.34 | 1.78 | 2.50 | 2.00 | 2.67 | 2.19 | 2.76 | 2.51 |
| 5.0 | 1.96 | 1.36 | 2.22 | 1.55 | 2.34 | 1.78 | 2.50 | 2.00 | 2.67 | 2.19 | 2.76 | 2.51 |
| 10.0 | 1.96 | 1.36 | 2.22 | 1.55 | 2.34 | 1.78 | 2.50 | 2.00 | 2.67 | 2.19 | 2.76 | 2.51 |
| 15.0 | 1.96 | 1.36 | 2.22 | 1.55 | 2.34 | 1.78 | 2.50 | 2.00 | 2.67 | 2.19 | 2.76 | 2.51 |
| 20.0 | 1.96 | 1.36 | 2.22 | 1.55 | 2.34 | 1.78 | 2.50 | 2.00 | 2.67 | 2.19 | 2.76 | 2.51 |
| 25.0 | 1.96 | 1.36 | 2.22 | 1.55 | 2.34 | 1.78 | 2.50 | 2.00 | 2.67 | 2.19 | 2.76 | 2.51 |
| 30.0 | 1.96 | 1.36 | 2.22 | 1.55 | 2.34 | 1.78 | 2.50 | 2.00 | 2.67 | 2.19 | 2.76 | 2.51 |
| 35.0 | 1.96 | 1.36 | 2.22 | 1.55 | 2.34 | 1.78 | 2.50 | 2.00 | 2.67 | 2.19 | 2.76 | 2.51 |
| 40.0 | 1.45 | 0.74 | 1.64 | 0.85 | 1.73 | 0.97 | 1.85 | 1.10 | 1.98 | 1.20 | 2.04 | 1.37 |
| 46.0 | 0.94 | 0.31 | 1.06 | 0.36 | 1.12 | 0.41 | 1.20 | 0.46 | 1.28 | 0.50 | 1.32 | 0.58 |

Model: ARXG09KSLAP

| Outdoor temperature | Indoor temperature (°CDB / °CWB) | | | | | | | | | | | |
|---------------------|----------------------------------|------|-------------|------|-------------|------|-------------|------|-------------|------|-------------|------|
| | 18.0 / 12.0 | | 21.0 / 15.0 | | 23.0 / 16.0 | | 27.0 / 19.0 | | 29.0 / 21.0 | | 32.0 / 23.0 | |
| (°CDB) | TC | SHC | TC | SHC | TC | SHC | TC | SHC | TC | SHC | TC | SHC |
| -10.0 | 2.51 | 1.61 | 2.84 | 1.83 | 2.99 | 2.11 | 3.20 | 2.37 | 3.42 | 2.59 | 3.53 | 2.97 |
| -5.0 | 2.51 | 1.61 | 2.84 | 1.83 | 2.99 | 2.11 | 3.20 | 2.37 | 3.42 | 2.59 | 3.53 | 2.97 |
| 0.0 | 2.51 | 1.61 | 2.84 | 1.83 | 2.99 | 2.11 | 3.20 | 2.37 | 3.42 | 2.59 | 3.53 | 2.97 |
| 5.0 | 2.51 | 1.61 | 2.84 | 1.83 | 2.99 | 2.11 | 3.20 | 2.37 | 3.42 | 2.59 | 3.53 | 2.97 |
| 10.0 | 2.51 | 1.61 | 2.84 | 1.83 | 2.99 | 2.11 | 3.20 | 2.37 | 3.42 | 2.59 | 3.53 | 2.97 |
| 15.0 | 2.51 | 1.61 | 2.84 | 1.83 | 2.99 | 2.11 | 3.20 | 2.37 | 3.42 | 2.59 | 3.53 | 2.97 |
| 20.0 | 2.51 | 1.61 | 2.84 | 1.83 | 2.99 | 2.11 | 3.20 | 2.37 | 3.42 | 2.59 | 3.53 | 2.97 |
| 25.0 | 2.51 | 1.61 | 2.84 | 1.83 | 2.99 | 2.11 | 3.20 | 2.37 | 3.42 | 2.59 | 3.53 | 2.97 |
| 30.0 | 2.51 | 1.61 | 2.84 | 1.83 | 2.99 | 2.11 | 3.20 | 2.37 | 3.42 | 2.59 | 3.53 | 2.97 |
| 35.0 | 2.51 | 1.61 | 2.84 | 1.83 | 2.99 | 2.11 | 3.20 | 2.37 | 3.42 | 2.59 | 3.53 | 2.97 |
| 40.0 | 1.86 | 0.88 | 2.10 | 1.00 | 2.21 | 1.15 | 2.37 | 1.30 | 2.53 | 1.42 | 2.61 | 1.62 |
| 46.0 | 1.20 | 0.37 | 1.36 | 0.42 | 1.43 | 0.49 | 1.54 | 0.55 | 1.64 | 0.60 | 1.69 | 0.68 |

Model: ARXG12KSLAP

| Outdoor temperature | Indoor temperature (°CDB / °CWB) | | | | | | | | | | | |
|---------------------|----------------------------------|------|-------------|------|-------------|------|-------------|------|-------------|------|-------------|------|
| | 18.0 / 12.0 | | 21.0 / 15.0 | | 23.0 / 16.0 | | 27.0 / 19.0 | | 29.0 / 21.0 | | 32.0 / 23.0 | |
| (°CDB) | TC | SHC | TC | SHC | TC | SHC | TC | SHC | TC | SHC | TC | SHC |
| -10.0 | 3.37 | 2.16 | 3.81 | 2.46 | 4.02 | 2.83 | 4.30 | 3.18 | 4.60 | 3.48 | 4.74 | 3.99 |
| -5.0 | 3.37 | 2.16 | 3.81 | 2.46 | 4.02 | 2.83 | 4.30 | 3.18 | 4.60 | 3.48 | 4.74 | 3.99 |
| 0.0 | 3.37 | 2.16 | 3.81 | 2.46 | 4.02 | 2.83 | 4.30 | 3.18 | 4.60 | 3.48 | 4.74 | 3.99 |
| 5.0 | 3.37 | 2.16 | 3.81 | 2.46 | 4.02 | 2.83 | 4.30 | 3.18 | 4.60 | 3.48 | 4.74 | 3.99 |
| 10.0 | 3.37 | 2.16 | 3.81 | 2.46 | 4.02 | 2.83 | 4.30 | 3.18 | 4.60 | 3.48 | 4.74 | 3.99 |
| 15.0 | 3.37 | 2.16 | 3.81 | 2.46 | 4.02 | 2.83 | 4.30 | 3.18 | 4.60 | 3.48 | 4.74 | 3.99 |
| 20.0 | 3.37 | 2.16 | 3.81 | 2.46 | 4.02 | 2.83 | 4.30 | 3.18 | 4.60 | 3.48 | 4.74 | 3.99 |
| 25.0 | 3.37 | 2.16 | 3.81 | 2.46 | 4.02 | 2.83 | 4.30 | 3.18 | 4.60 | 3.48 | 4.74 | 3.99 |
| 30.0 | 3.37 | 2.16 | 3.81 | 2.46 | 4.02 | 2.83 | 4.30 | 3.18 | 4.60 | 3.48 | 4.74 | 3.99 |
| 35.0 | 3.37 | 2.16 | 3.81 | 2.46 | 4.02 | 2.83 | 4.30 | 3.18 | 4.60 | 3.48 | 4.74 | 3.99 |
| 40.0 | 2.49 | 1.18 | 2.82 | 1.35 | 2.97 | 1.55 | 3.18 | 1.74 | 3.40 | 1.91 | 3.51 | 2.18 |
| 46.0 | 1.62 | 0.50 | 1.83 | 0.57 | 1.93 | 0.65 | 2.06 | 0.73 | 2.21 | 0.80 | 2.27 | 0.92 |

Model: ARXG14KSLAP

| Outdoor temperature | Indoor temperature (°CDB / °CWB) | | | | | | | | | | | |
|---------------------|----------------------------------|------|-------------|------|-------------|------|-------------|------|-------------|------|-------------|------|
| | 18.0 / 12.0 | | 21.0 / 15.0 | | 23.0 / 16.0 | | 27.0 / 19.0 | | 29.0 / 21.0 | | 32.0 / 23.0 | |
| (°CDB) | TC | SHC | TC | SHC | TC | SHC | TC | SHC | TC | SHC | TC | SHC |
| -10.0 | 3.92 | 2.41 | 4.43 | 2.74 | 4.67 | 3.16 | 5.00 | 3.55 | 5.35 | 3.88 | 5.51 | 4.45 |
| -5.0 | 3.92 | 2.41 | 4.43 | 2.74 | 4.67 | 3.16 | 5.00 | 3.55 | 5.35 | 3.88 | 5.51 | 4.45 |
| 0.0 | 3.92 | 2.41 | 4.43 | 2.74 | 4.67 | 3.16 | 5.00 | 3.55 | 5.35 | 3.88 | 5.51 | 4.45 |
| 5.0 | 3.92 | 2.41 | 4.43 | 2.74 | 4.67 | 3.16 | 5.00 | 3.55 | 5.35 | 3.88 | 5.51 | 4.45 |
| 10.0 | 3.92 | 2.41 | 4.43 | 2.74 | 4.67 | 3.16 | 5.00 | 3.55 | 5.35 | 3.88 | 5.51 | 4.45 |
| 15.0 | 3.92 | 2.41 | 4.43 | 2.74 | 4.67 | 3.16 | 5.00 | 3.55 | 5.35 | 3.88 | 5.51 | 4.45 |
| 20.0 | 3.92 | 2.41 | 4.43 | 2.74 | 4.67 | 3.16 | 5.00 | 3.55 | 5.35 | 3.88 | 5.51 | 4.45 |
| 25.0 | 3.92 | 2.41 | 4.43 | 2.74 | 4.67 | 3.16 | 5.00 | 3.55 | 5.35 | 3.88 | 5.51 | 4.45 |
| 30.0 | 3.92 | 2.41 | 4.43 | 2.74 | 4.67 | 3.16 | 5.00 | 3.55 | 5.35 | 3.88 | 5.51 | 4.45 |
| 35.0 | 3.92 | 2.41 | 4.43 | 2.74 | 4.67 | 3.16 | 5.00 | 3.55 | 5.35 | 3.88 | 5.51 | 4.45 |
| 40.0 | 2.90 | 1.32 | 3.28 | 1.50 | 3.46 | 1.73 | 3.70 | 1.94 | 3.96 | 2.13 | 4.08 | 2.44 |
| 46.0 | 1.88 | 0.55 | 2.13 | 0.63 | 2.24 | 0.73 | 2.40 | 0.82 | 2.57 | 0.89 | 2.64 | 1.02 |

Model: ARXG18KSLAP

| Outdoor temperature (°CDB) | Indoor temperature (°CDB / °CWB) | | | | | | | | | | | |
|-------------------------------|----------------------------------|------|-------------|------|-------------|------|-------------|------|-------------|------|-------------|------|
| | 18.0 / 12.0 | | 21.0 / 15.0 | | 23.0 / 16.0 | | 27.0 / 19.0 | | 29.0 / 21.0 | | 32.0 / 23.0 | |
| | TC | SHC | TC | SHC | TC | SHC | TC | SHC | TC | SHC | TC | SHC |
| -10.0 | 4.85 | 3.02 | 5.48 | 3.45 | 5.78 | 3.97 | 6.19 | 4.46 | 6.62 | 4.87 | 6.82 | 5.58 |
| -5.0 | 4.85 | 3.02 | 5.48 | 3.45 | 5.78 | 3.97 | 6.19 | 4.46 | 6.62 | 4.87 | 6.82 | 5.58 |
| 0.0 | 4.85 | 3.02 | 5.48 | 3.45 | 5.78 | 3.97 | 6.19 | 4.46 | 6.62 | 4.87 | 6.82 | 5.58 |
| 5.0 | 4.85 | 3.02 | 5.48 | 3.45 | 5.78 | 3.97 | 6.19 | 4.46 | 6.62 | 4.87 | 6.82 | 5.58 |
| 10.0 | 4.85 | 3.02 | 5.48 | 3.45 | 5.78 | 3.97 | 6.19 | 4.46 | 6.62 | 4.87 | 6.82 | 5.58 |
| 15.0 | 4.85 | 3.02 | 5.48 | 3.45 | 5.78 | 3.97 | 6.19 | 4.46 | 6.62 | 4.87 | 6.82 | 5.58 |
| 20.0 | 4.85 | 3.02 | 5.48 | 3.45 | 5.78 | 3.97 | 6.19 | 4.46 | 6.62 | 4.87 | 6.82 | 5.58 |
| 25.0 | 4.85 | 3.02 | 5.48 | 3.45 | 5.78 | 3.97 | 6.19 | 4.46 | 6.62 | 4.87 | 6.82 | 5.58 |
| 30.0 | 4.85 | 3.02 | 5.48 | 3.45 | 5.78 | 3.97 | 6.19 | 4.46 | 6.62 | 4.87 | 6.82 | 5.58 |
| 35.0 | 4.85 | 3.02 | 5.48 | 3.45 | 5.78 | 3.97 | 6.19 | 4.46 | 6.62 | 4.87 | 6.82 | 5.58 |
| 40.0 | 3.59 | 1.66 | 4.06 | 1.89 | 4.28 | 2.17 | 4.58 | 2.44 | 4.90 | 2.67 | 5.05 | 3.06 |
| 46.0 | 2.33 | 0.70 | 2.63 | 0.79 | 2.78 | 0.91 | 2.97 | 1.03 | 3.18 | 1.12 | 3.27 | 1.29 |

NOTES:

- TC: Total Capacity (kW), SHC: Sensible Heat Capacity (kW)
- Values mentioned in the table are based on the following conditions:
 - Pipe length: 5 m, Height difference: 0 m [Outdoor unit—Indoor unit]

● Slim duct type

Model: ARXG07KLLAP

| Outdoor temperature | Indoor temperature (°CDB / °CWB) | | | | | | | | | | | |
|---------------------|----------------------------------|------|-------------|------|-------------|------|-------------|------|-------------|------|-------------|------|
| | 18.0 / 12.0 | | 21.0 / 15.0 | | 23.0 / 16.0 | | 27.0 / 19.0 | | 29.0 / 21.0 | | 32.0 / 23.0 | |
| (°CDB) | TC | SHC | TC | SHC | TC | SHC | TC | SHC | TC | SHC | TC | SHC |
| -10.0 | 1.96 | 1.36 | 2.22 | 1.55 | 2.34 | 1.78 | 2.50 | 2.00 | 2.67 | 2.19 | 2.76 | 2.51 |
| -5.0 | 1.96 | 1.36 | 2.22 | 1.55 | 2.34 | 1.78 | 2.50 | 2.00 | 2.67 | 2.19 | 2.76 | 2.51 |
| 0.0 | 1.96 | 1.36 | 2.22 | 1.55 | 2.34 | 1.78 | 2.50 | 2.00 | 2.67 | 2.19 | 2.76 | 2.51 |
| 5.0 | 1.96 | 1.36 | 2.22 | 1.55 | 2.34 | 1.78 | 2.50 | 2.00 | 2.67 | 2.19 | 2.76 | 2.51 |
| 10.0 | 1.96 | 1.36 | 2.22 | 1.55 | 2.34 | 1.78 | 2.50 | 2.00 | 2.67 | 2.19 | 2.76 | 2.51 |
| 15.0 | 1.96 | 1.36 | 2.22 | 1.55 | 2.34 | 1.78 | 2.50 | 2.00 | 2.67 | 2.19 | 2.76 | 2.51 |
| 20.0 | 1.96 | 1.36 | 2.22 | 1.55 | 2.34 | 1.78 | 2.50 | 2.00 | 2.67 | 2.19 | 2.76 | 2.51 |
| 25.0 | 1.96 | 1.36 | 2.22 | 1.55 | 2.34 | 1.78 | 2.50 | 2.00 | 2.67 | 2.19 | 2.76 | 2.51 |
| 30.0 | 1.96 | 1.36 | 2.22 | 1.55 | 2.34 | 1.78 | 2.50 | 2.00 | 2.67 | 2.19 | 2.76 | 2.51 |
| 35.0 | 1.96 | 1.36 | 2.22 | 1.55 | 2.34 | 1.78 | 2.50 | 2.00 | 2.67 | 2.19 | 2.76 | 2.51 |
| 40.0 | 1.45 | 0.74 | 1.64 | 0.85 | 1.73 | 0.97 | 1.85 | 1.10 | 1.98 | 1.20 | 2.04 | 1.37 |
| 46.0 | 0.94 | 0.31 | 1.06 | 0.36 | 1.12 | 0.41 | 1.20 | 0.46 | 1.28 | 0.50 | 1.32 | 0.58 |

Model: ARXG09KLLAP

| Outdoor temperature | Indoor temperature (°CDB / °CWB) | | | | | | | | | | | |
|---------------------|----------------------------------|------|-------------|------|-------------|------|-------------|------|-------------|------|-------------|------|
| | 18.0 / 12.0 | | 21.0 / 15.0 | | 23.0 / 16.0 | | 27.0 / 19.0 | | 29.0 / 21.0 | | 32.0 / 23.0 | |
| (°CDB) | TC | SHC | TC | SHC | TC | SHC | TC | SHC | TC | SHC | TC | SHC |
| -10.0 | 2.51 | 1.67 | 2.84 | 1.90 | 2.99 | 2.19 | 3.20 | 2.46 | 3.42 | 2.69 | 3.53 | 3.09 |
| -5.0 | 2.51 | 1.67 | 2.84 | 1.90 | 2.99 | 2.19 | 3.20 | 2.46 | 3.42 | 2.69 | 3.53 | 3.09 |
| 0.0 | 2.51 | 1.67 | 2.84 | 1.90 | 2.99 | 2.19 | 3.20 | 2.46 | 3.42 | 2.69 | 3.53 | 3.09 |
| 5.0 | 2.51 | 1.67 | 2.84 | 1.90 | 2.99 | 2.19 | 3.20 | 2.46 | 3.42 | 2.69 | 3.53 | 3.09 |
| 10.0 | 2.51 | 1.67 | 2.84 | 1.90 | 2.99 | 2.19 | 3.20 | 2.46 | 3.42 | 2.69 | 3.53 | 3.09 |
| 15.0 | 2.51 | 1.67 | 2.84 | 1.90 | 2.99 | 2.19 | 3.20 | 2.46 | 3.42 | 2.69 | 3.53 | 3.09 |
| 20.0 | 2.51 | 1.67 | 2.84 | 1.90 | 2.99 | 2.19 | 3.20 | 2.46 | 3.42 | 2.69 | 3.53 | 3.09 |
| 25.0 | 2.51 | 1.67 | 2.84 | 1.90 | 2.99 | 2.19 | 3.20 | 2.46 | 3.42 | 2.69 | 3.53 | 3.09 |
| 30.0 | 2.51 | 1.67 | 2.84 | 1.90 | 2.99 | 2.19 | 3.20 | 2.46 | 3.42 | 2.69 | 3.53 | 3.09 |
| 35.0 | 2.51 | 1.67 | 2.84 | 1.90 | 2.99 | 2.19 | 3.20 | 2.46 | 3.42 | 2.69 | 3.53 | 3.09 |
| 40.0 | 1.86 | 0.92 | 2.10 | 1.04 | 2.21 | 1.20 | 2.37 | 1.35 | 2.53 | 1.48 | 2.61 | 1.69 |
| 46.0 | 1.20 | 0.38 | 1.36 | 0.44 | 1.43 | 0.51 | 1.54 | 0.57 | 1.64 | 0.62 | 1.69 | 0.71 |

Model: ARXG12KLLAP

| Outdoor temperature | Indoor temperature (°CDB / °CWB) | | | | | | | | | | | |
|---------------------|----------------------------------|------|-------------|------|-------------|------|-------------|------|-------------|------|-------------|------|
| | 18.0 / 12.0 | | 21.0 / 15.0 | | 23.0 / 16.0 | | 27.0 / 19.0 | | 29.0 / 21.0 | | 32.0 / 23.0 | |
| (°CDB) | TC | SHC | TC | SHC | TC | SHC | TC | SHC | TC | SHC | TC | SHC |
| -10.0 | 3.37 | 2.27 | 3.81 | 2.59 | 4.02 | 2.99 | 4.30 | 3.35 | 4.60 | 3.67 | 4.74 | 4.20 |
| -5.0 | 3.37 | 2.27 | 3.81 | 2.59 | 4.02 | 2.99 | 4.30 | 3.35 | 4.60 | 3.67 | 4.74 | 4.20 |
| 0.0 | 3.37 | 2.27 | 3.81 | 2.59 | 4.02 | 2.99 | 4.30 | 3.35 | 4.60 | 3.67 | 4.74 | 4.20 |
| 5.0 | 3.37 | 2.27 | 3.81 | 2.59 | 4.02 | 2.99 | 4.30 | 3.35 | 4.60 | 3.67 | 4.74 | 4.20 |
| 10.0 | 3.37 | 2.27 | 3.81 | 2.59 | 4.02 | 2.99 | 4.30 | 3.35 | 4.60 | 3.67 | 4.74 | 4.20 |
| 15.0 | 3.37 | 2.27 | 3.81 | 2.59 | 4.02 | 2.99 | 4.30 | 3.35 | 4.60 | 3.67 | 4.74 | 4.20 |
| 20.0 | 3.37 | 2.27 | 3.81 | 2.59 | 4.02 | 2.99 | 4.30 | 3.35 | 4.60 | 3.67 | 4.74 | 4.20 |
| 25.0 | 3.37 | 2.27 | 3.81 | 2.59 | 4.02 | 2.99 | 4.30 | 3.35 | 4.60 | 3.67 | 4.74 | 4.20 |
| 30.0 | 3.37 | 2.27 | 3.81 | 2.59 | 4.02 | 2.99 | 4.30 | 3.35 | 4.60 | 3.67 | 4.74 | 4.20 |
| 35.0 | 3.37 | 2.27 | 3.81 | 2.59 | 4.02 | 2.99 | 4.30 | 3.35 | 4.60 | 3.67 | 4.74 | 4.20 |
| 40.0 | 2.49 | 1.25 | 2.82 | 1.42 | 2.97 | 1.63 | 3.18 | 1.84 | 3.40 | 2.01 | 3.51 | 2.30 |
| 46.0 | 1.62 | 0.52 | 1.83 | 0.60 | 1.93 | 0.69 | 2.06 | 0.77 | 2.21 | 0.85 | 2.27 | 0.97 |

Model: ARXG14KLLAP

| Outdoor temperature | Indoor temperature (°CDB / °CWB) | | | | | | | | | | | |
|---------------------|----------------------------------|------|-------------|------|-------------|------|-------------|------|-------------|------|-------------|------|
| | 18.0 / 12.0 | | 21.0 / 15.0 | | 23.0 / 16.0 | | 27.0 / 19.0 | | 29.0 / 21.0 | | 32.0 / 23.0 | |
| (°CDB) | TC | SHC | TC | SHC | TC | SHC | TC | SHC | TC | SHC | TC | SHC |
| -10.0 | 3.92 | 2.51 | 4.43 | 2.86 | 4.67 | 3.29 | 5.00 | 3.70 | 5.35 | 4.05 | 5.51 | 4.64 |
| -5.0 | 3.92 | 2.51 | 4.43 | 2.86 | 4.67 | 3.29 | 5.00 | 3.70 | 5.35 | 4.05 | 5.51 | 4.64 |
| 0.0 | 3.92 | 2.51 | 4.43 | 2.86 | 4.67 | 3.29 | 5.00 | 3.70 | 5.35 | 4.05 | 5.51 | 4.64 |
| 5.0 | 3.92 | 2.51 | 4.43 | 2.86 | 4.67 | 3.29 | 5.00 | 3.70 | 5.35 | 4.05 | 5.51 | 4.64 |
| 10.0 | 3.92 | 2.51 | 4.43 | 2.86 | 4.67 | 3.29 | 5.00 | 3.70 | 5.35 | 4.05 | 5.51 | 4.64 |
| 15.0 | 3.92 | 2.51 | 4.43 | 2.86 | 4.67 | 3.29 | 5.00 | 3.70 | 5.35 | 4.05 | 5.51 | 4.64 |
| 20.0 | 3.92 | 2.51 | 4.43 | 2.86 | 4.67 | 3.29 | 5.00 | 3.70 | 5.35 | 4.05 | 5.51 | 4.64 |
| 25.0 | 3.92 | 2.51 | 4.43 | 2.86 | 4.67 | 3.29 | 5.00 | 3.70 | 5.35 | 4.05 | 5.51 | 4.64 |
| 30.0 | 3.92 | 2.51 | 4.43 | 2.86 | 4.67 | 3.29 | 5.00 | 3.70 | 5.35 | 4.05 | 5.51 | 4.64 |
| 35.0 | 3.92 | 2.51 | 4.43 | 2.86 | 4.67 | 3.29 | 5.00 | 3.70 | 5.35 | 4.05 | 5.51 | 4.64 |
| 40.0 | 2.90 | 1.37 | 3.28 | 1.57 | 3.46 | 1.80 | 3.70 | 2.03 | 3.96 | 2.22 | 4.08 | 2.54 |
| 46.0 | 1.88 | 0.58 | 2.13 | 0.66 | 2.24 | 0.76 | 2.40 | 0.85 | 2.57 | 0.93 | 2.64 | 1.07 |

Model: ARXG18KLLAP

| Outdoor temperature | Indoor temperature (°CDB / °CWB) | | | | | | | | | | | |
|---------------------|----------------------------------|------|-------------|------|-------------|------|-------------|------|-------------|------|-------------|------|
| | 18.0 / 12.0 | | 21.0 / 15.0 | | 23.0 / 16.0 | | 27.0 / 19.0 | | 29.0 / 21.0 | | 32.0 / 23.0 | |
| (°CDB) | TC | SHC | TC | SHC | TC | SHC | TC | SHC | TC | SHC | TC | SHC |
| -10.0 | 4.80 | 2.99 | 5.42 | 3.41 | 5.72 | 3.92 | 6.12 | 4.41 | 6.54 | 4.82 | 6.74 | 5.52 |
| -5.0 | 4.80 | 2.99 | 5.42 | 3.41 | 5.72 | 3.92 | 6.12 | 4.41 | 6.54 | 4.82 | 6.74 | 5.52 |
| 0.0 | 4.80 | 2.99 | 5.42 | 3.41 | 5.72 | 3.92 | 6.12 | 4.41 | 6.54 | 4.82 | 6.74 | 5.52 |
| 5.0 | 4.80 | 2.99 | 5.42 | 3.41 | 5.72 | 3.92 | 6.12 | 4.41 | 6.54 | 4.82 | 6.74 | 5.52 |
| 10.0 | 4.80 | 2.99 | 5.42 | 3.41 | 5.72 | 3.92 | 6.12 | 4.41 | 6.54 | 4.82 | 6.74 | 5.52 |
| 15.0 | 4.80 | 2.99 | 5.42 | 3.41 | 5.72 | 3.92 | 6.12 | 4.41 | 6.54 | 4.82 | 6.74 | 5.52 |
| 20.0 | 4.80 | 2.99 | 5.42 | 3.41 | 5.72 | 3.92 | 6.12 | 4.41 | 6.54 | 4.82 | 6.74 | 5.52 |
| 25.0 | 4.80 | 2.99 | 5.42 | 3.41 | 5.72 | 3.92 | 6.12 | 4.41 | 6.54 | 4.82 | 6.74 | 5.52 |
| 30.0 | 4.80 | 2.99 | 5.42 | 3.41 | 5.72 | 3.92 | 6.12 | 4.41 | 6.54 | 4.82 | 6.74 | 5.52 |
| 35.0 | 4.80 | 2.99 | 5.42 | 3.41 | 5.72 | 3.92 | 6.12 | 4.41 | 6.54 | 4.82 | 6.74 | 5.52 |
| 40.0 | 3.55 | 1.64 | 4.01 | 1.87 | 4.23 | 2.15 | 4.53 | 2.41 | 4.84 | 2.64 | 4.99 | 3.02 |
| 46.0 | 2.30 | 0.69 | 2.60 | 0.78 | 2.74 | 0.90 | 2.94 | 1.02 | 3.14 | 1.11 | 3.24 | 1.27 |

NOTES:

- TC: Total Capacity (kW), SHC: Sensible Heat Capacity (kW)
- Values mentioned in the table are based on the following conditions:
 - Pipe length: 5 m, Height difference: 0 m (Outdoor unit—Indoor unit)

● Medium static pressure duct type

Model: ARXG22KMLB

| Outdoor temperature | Indoor temperature (°CDB / °CWB) | | | | | | | | | | | |
|---------------------|----------------------------------|------|-------------|------|-------------|------|-------------|------|-------------|------|-------------|------|
| | 18.0 / 12.0 | | 21.0 / 15.0 | | 23.0 / 16.0 | | 27.0 / 19.0 | | 29.0 / 21.0 | | 32.0 / 23.0 | |
| (°CDB) | TC | SHC | TC | SHC | TC | SHC | TC | SHC | TC | SHC | TC | SHC |
| -10.0 | 6.12 | 4.03 | 6.91 | 4.59 | 7.29 | 5.29 | 7.80 | 5.94 | 8.34 | 6.50 | 8.60 | 7.44 |
| -5.0 | 6.12 | 4.03 | 6.91 | 4.59 | 7.29 | 5.29 | 7.80 | 5.94 | 8.34 | 6.50 | 8.60 | 7.44 |
| 0.0 | 6.12 | 4.03 | 6.91 | 4.59 | 7.29 | 5.29 | 7.80 | 5.94 | 8.34 | 6.50 | 8.60 | 7.44 |
| 5.0 | 6.12 | 4.03 | 6.91 | 4.59 | 7.29 | 5.29 | 7.80 | 5.94 | 8.34 | 6.50 | 8.60 | 7.44 |
| 10.0 | 6.12 | 4.03 | 6.91 | 4.59 | 7.29 | 5.29 | 7.80 | 5.94 | 8.34 | 6.50 | 8.60 | 7.44 |
| 15.0 | 6.12 | 4.03 | 6.91 | 4.59 | 7.29 | 5.29 | 7.80 | 5.94 | 8.34 | 6.50 | 8.60 | 7.44 |
| 20.0 | 6.12 | 4.03 | 6.91 | 4.59 | 7.29 | 5.29 | 7.80 | 5.94 | 8.34 | 6.50 | 8.60 | 7.44 |
| 25.0 | 6.12 | 4.03 | 6.91 | 4.59 | 7.29 | 5.29 | 7.80 | 5.94 | 8.34 | 6.50 | 8.60 | 7.44 |
| 30.0 | 6.12 | 4.03 | 6.91 | 4.59 | 7.29 | 5.29 | 7.80 | 5.94 | 8.34 | 6.50 | 8.60 | 7.44 |
| 35.0 | 6.12 | 4.03 | 6.91 | 4.59 | 7.29 | 5.29 | 7.80 | 5.94 | 8.34 | 6.50 | 8.60 | 7.44 |
| 40.0 | 4.53 | 2.21 | 5.11 | 2.52 | 5.39 | 2.90 | 5.77 | 3.25 | 6.17 | 3.56 | 6.36 | 4.08 |
| 46.0 | 2.94 | 0.93 | 3.32 | 1.06 | 3.50 | 1.22 | 3.74 | 1.37 | 4.00 | 1.50 | 4.13 | 1.72 |

Model: ARXH22KMTAP

| Outdoor temperature | Indoor temperature (°CDB / °CWB) | | | | | | | | | | | |
|---------------------|----------------------------------|------|-------------|------|-------------|------|-------------|------|-------------|------|-------------|------|
| | 18.0 / 12.0 | | 21.0 / 15.0 | | 23.0 / 16.0 | | 27.0 / 19.0 | | 29.0 / 21.0 | | 32.0 / 23.0 | |
| (°CDB) | TC | SHC | TC | SHC | TC | SHC | TC | SHC | TC | SHC | TC | SHC |
| -10.0 | 6.12 | 4.39 | 6.91 | 5.00 | 7.29 | 5.76 | 7.80 | 6.47 | 8.34 | 7.08 | 8.60 | 8.11 |
| -5.0 | 6.12 | 4.39 | 6.91 | 5.00 | 7.29 | 5.76 | 7.80 | 6.47 | 8.34 | 7.08 | 8.60 | 8.11 |
| 0.0 | 6.12 | 4.39 | 6.91 | 5.00 | 7.29 | 5.76 | 7.80 | 6.47 | 8.34 | 7.08 | 8.60 | 8.11 |
| 5.0 | 6.12 | 4.39 | 6.91 | 5.00 | 7.29 | 5.76 | 7.80 | 6.47 | 8.34 | 7.08 | 8.60 | 8.11 |
| 10.0 | 6.12 | 4.39 | 6.91 | 5.00 | 7.29 | 5.76 | 7.80 | 6.47 | 8.34 | 7.08 | 8.60 | 8.11 |
| 15.0 | 6.12 | 4.39 | 6.91 | 5.00 | 7.29 | 5.76 | 7.80 | 6.47 | 8.34 | 7.08 | 8.60 | 8.11 |
| 20.0 | 6.12 | 4.39 | 6.91 | 5.00 | 7.29 | 5.76 | 7.80 | 6.47 | 8.34 | 7.08 | 8.60 | 8.11 |
| 25.0 | 6.12 | 4.39 | 6.91 | 5.00 | 7.29 | 5.76 | 7.80 | 6.47 | 8.34 | 7.08 | 8.60 | 8.11 |
| 30.0 | 6.12 | 4.39 | 6.91 | 5.00 | 7.29 | 5.76 | 7.80 | 6.47 | 8.34 | 7.08 | 8.60 | 8.11 |
| 35.0 | 6.12 | 4.39 | 6.91 | 5.00 | 7.29 | 5.76 | 7.80 | 6.47 | 8.34 | 7.08 | 8.60 | 8.11 |
| 40.0 | 4.53 | 2.41 | 5.11 | 2.75 | 5.39 | 3.16 | 5.77 | 3.54 | 6.17 | 3.88 | 6.36 | 4.45 |
| 46.0 | 2.94 | 1.01 | 3.32 | 1.15 | 3.50 | 1.33 | 3.74 | 1.49 | 4.00 | 1.63 | 4.13 | 1.87 |

NOTES:

- TC: Total Capacity (kW), SHC: Sensible Heat Capacity (kW).
- Values mentioned in the table are based on the following conditions:
 - Pipe length: 5 m, Height difference: 0 m (Outdoor unit—Indoor unit)

● Wall mounted type

Model: ASYG07KGTB

| Outdoor temperature | Indoor temperature (°CDB / °CWB) | | | | | | | | | | | |
|---------------------|----------------------------------|------|-------------|------|-------------|------|-------------|------|-------------|------|-------------|------|
| | 18.0 / 12.0 | | 21.0 / 15.0 | | 23.0 / 16.0 | | 27.0 / 19.0 | | 29.0 / 21.0 | | 32.0 / 23.0 | |
| (°CDB) | TC | SHC | TC | SHC | TC | SHC | TC | SHC | TC | SHC | TC | SHC |
| -10.0 | 1.96 | 1.10 | 2.22 | 1.26 | 2.34 | 1.45 | 2.50 | 1.63 | 2.67 | 1.78 | 2.76 | 2.04 |
| -5.0 | 1.96 | 1.10 | 2.22 | 1.26 | 2.34 | 1.45 | 2.50 | 1.63 | 2.67 | 1.78 | 2.76 | 2.04 |
| 0.0 | 1.96 | 1.10 | 2.22 | 1.26 | 2.34 | 1.45 | 2.50 | 1.63 | 2.67 | 1.78 | 2.76 | 2.04 |
| 5.0 | 1.96 | 1.10 | 2.22 | 1.26 | 2.34 | 1.45 | 2.50 | 1.63 | 2.67 | 1.78 | 2.76 | 2.04 |
| 10.0 | 1.96 | 1.10 | 2.22 | 1.26 | 2.34 | 1.45 | 2.50 | 1.63 | 2.67 | 1.78 | 2.76 | 2.04 |
| 15.0 | 1.96 | 1.10 | 2.22 | 1.26 | 2.34 | 1.45 | 2.50 | 1.63 | 2.67 | 1.78 | 2.76 | 2.04 |
| 20.0 | 1.96 | 1.10 | 2.22 | 1.26 | 2.34 | 1.45 | 2.50 | 1.63 | 2.67 | 1.78 | 2.76 | 2.04 |
| 25.0 | 1.96 | 1.10 | 2.22 | 1.26 | 2.34 | 1.45 | 2.50 | 1.63 | 2.67 | 1.78 | 2.76 | 2.04 |
| 30.0 | 1.96 | 1.10 | 2.22 | 1.26 | 2.34 | 1.45 | 2.50 | 1.63 | 2.67 | 1.78 | 2.76 | 2.04 |
| 35.0 | 1.96 | 1.10 | 2.22 | 1.26 | 2.34 | 1.45 | 2.50 | 1.63 | 2.67 | 1.78 | 2.76 | 2.04 |
| 40.0 | 1.45 | 0.60 | 1.64 | 0.69 | 1.73 | 0.79 | 1.85 | 0.89 | 1.98 | 0.97 | 2.04 | 1.12 |
| 46.0 | 0.94 | 0.25 | 1.06 | 0.29 | 1.12 | 0.33 | 1.20 | 0.37 | 1.28 | 0.41 | 1.32 | 0.47 |

Model: ASYG09KGTB

| Outdoor temperature | Indoor temperature (°CDB / °CWB) | | | | | | | | | | | |
|---------------------|----------------------------------|------|-------------|------|-------------|------|-------------|------|-------------|------|-------------|------|
| | 18.0 / 12.0 | | 21.0 / 15.0 | | 23.0 / 16.0 | | 27.0 / 19.0 | | 29.0 / 21.0 | | 32.0 / 23.0 | |
| (°CDB) | TC | SHC | TC | SHC | TC | SHC | TC | SHC | TC | SHC | TC | SHC |
| -10.0 | 2.51 | 1.41 | 2.84 | 1.61 | 2.99 | 1.85 | 3.20 | 2.08 | 3.42 | 2.27 | 3.53 | 2.61 |
| -5.0 | 2.51 | 1.41 | 2.84 | 1.61 | 2.99 | 1.85 | 3.20 | 2.08 | 3.42 | 2.27 | 3.53 | 2.61 |
| 0.0 | 2.51 | 1.41 | 2.84 | 1.61 | 2.99 | 1.85 | 3.20 | 2.08 | 3.42 | 2.27 | 3.53 | 2.61 |
| 5.0 | 2.51 | 1.41 | 2.84 | 1.61 | 2.99 | 1.85 | 3.20 | 2.08 | 3.42 | 2.27 | 3.53 | 2.61 |
| 10.0 | 2.51 | 1.41 | 2.84 | 1.61 | 2.99 | 1.85 | 3.20 | 2.08 | 3.42 | 2.27 | 3.53 | 2.61 |
| 15.0 | 2.51 | 1.41 | 2.84 | 1.61 | 2.99 | 1.85 | 3.20 | 2.08 | 3.42 | 2.27 | 3.53 | 2.61 |
| 20.0 | 2.51 | 1.41 | 2.84 | 1.61 | 2.99 | 1.85 | 3.20 | 2.08 | 3.42 | 2.27 | 3.53 | 2.61 |
| 25.0 | 2.51 | 1.41 | 2.84 | 1.61 | 2.99 | 1.85 | 3.20 | 2.08 | 3.42 | 2.27 | 3.53 | 2.61 |
| 30.0 | 2.51 | 1.41 | 2.84 | 1.61 | 2.99 | 1.85 | 3.20 | 2.08 | 3.42 | 2.27 | 3.53 | 2.61 |
| 35.0 | 2.51 | 1.41 | 2.84 | 1.61 | 2.99 | 1.85 | 3.20 | 2.08 | 3.42 | 2.27 | 3.53 | 2.61 |
| 40.0 | 1.86 | 0.77 | 2.10 | 0.88 | 2.21 | 1.01 | 2.37 | 1.14 | 2.53 | 1.25 | 2.61 | 1.43 |
| 46.0 | 1.20 | 0.32 | 1.36 | 0.37 | 1.43 | 0.43 | 1.54 | 0.48 | 1.64 | 0.52 | 1.69 | 0.60 |

Model: ASYG12KGTB

| Outdoor temperature | Indoor temperature (°CDB / °CWB) | | | | | | | | | | | |
|---------------------|----------------------------------|------|-------------|------|-------------|------|-------------|------|-------------|------|-------------|------|
| | 18.0 / 12.0 | | 21.0 / 15.0 | | 23.0 / 16.0 | | 27.0 / 19.0 | | 29.0 / 21.0 | | 32.0 / 23.0 | |
| (°CDB) | TC | SHC | TC | SHC | TC | SHC | TC | SHC | TC | SHC | TC | SHC |
| -10.0 | 3.37 | 1.90 | 3.81 | 2.16 | 4.02 | 2.49 | 4.30 | 2.80 | 4.60 | 3.06 | 4.74 | 3.50 |
| -5.0 | 3.37 | 1.90 | 3.81 | 2.16 | 4.02 | 2.49 | 4.30 | 2.80 | 4.60 | 3.06 | 4.74 | 3.50 |
| 0.0 | 3.37 | 1.90 | 3.81 | 2.16 | 4.02 | 2.49 | 4.30 | 2.80 | 4.60 | 3.06 | 4.74 | 3.50 |
| 5.0 | 3.37 | 1.90 | 3.81 | 2.16 | 4.02 | 2.49 | 4.30 | 2.80 | 4.60 | 3.06 | 4.74 | 3.50 |
| 10.0 | 3.37 | 1.90 | 3.81 | 2.16 | 4.02 | 2.49 | 4.30 | 2.80 | 4.60 | 3.06 | 4.74 | 3.50 |
| 15.0 | 3.37 | 1.90 | 3.81 | 2.16 | 4.02 | 2.49 | 4.30 | 2.80 | 4.60 | 3.06 | 4.74 | 3.50 |
| 20.0 | 3.37 | 1.90 | 3.81 | 2.16 | 4.02 | 2.49 | 4.30 | 2.80 | 4.60 | 3.06 | 4.74 | 3.50 |
| 25.0 | 3.37 | 1.90 | 3.81 | 2.16 | 4.02 | 2.49 | 4.30 | 2.80 | 4.60 | 3.06 | 4.74 | 3.50 |
| 30.0 | 3.37 | 1.90 | 3.81 | 2.16 | 4.02 | 2.49 | 4.30 | 2.80 | 4.60 | 3.06 | 4.74 | 3.50 |
| 35.0 | 3.37 | 1.90 | 3.81 | 2.16 | 4.02 | 2.49 | 4.30 | 2.80 | 4.60 | 3.06 | 4.74 | 3.50 |
| 40.0 | 2.49 | 1.04 | 2.82 | 1.18 | 2.97 | 1.36 | 3.18 | 1.53 | 3.40 | 1.67 | 3.51 | 1.92 |
| 46.0 | 1.62 | 0.44 | 1.83 | 0.50 | 1.93 | 0.57 | 2.06 | 0.64 | 2.21 | 0.70 | 2.27 | 0.81 |

Model: ASYG14KGTB

| Outdoor temperature | Indoor temperature (°CDB / °CWB) | | | | | | | | | | | |
|---------------------|----------------------------------|------|-------------|------|-------------|------|-------------|------|-------------|------|-------------|------|
| | 18.0 / 12.0 | | 21.0 / 15.0 | | 23.0 / 16.0 | | 27.0 / 19.0 | | 29.0 / 21.0 | | 32.0 / 23.0 | |
| (°CDB) | TC | SHC | TC | SHC | TC | SHC | TC | SHC | TC | SHC | TC | SHC |
| -10.0 | 3.92 | 2.20 | 4.43 | 2.51 | 4.67 | 2.89 | 5.00 | 3.25 | 5.35 | 3.55 | 5.51 | 4.07 |
| -5.0 | 3.92 | 2.20 | 4.43 | 2.51 | 4.67 | 2.89 | 5.00 | 3.25 | 5.35 | 3.55 | 5.51 | 4.07 |
| 0.0 | 3.92 | 2.20 | 4.43 | 2.51 | 4.67 | 2.89 | 5.00 | 3.25 | 5.35 | 3.55 | 5.51 | 4.07 |
| 5.0 | 3.92 | 2.20 | 4.43 | 2.51 | 4.67 | 2.89 | 5.00 | 3.25 | 5.35 | 3.55 | 5.51 | 4.07 |
| 10.0 | 3.92 | 2.20 | 4.43 | 2.51 | 4.67 | 2.89 | 5.00 | 3.25 | 5.35 | 3.55 | 5.51 | 4.07 |
| 15.0 | 3.92 | 2.20 | 4.43 | 2.51 | 4.67 | 2.89 | 5.00 | 3.25 | 5.35 | 3.55 | 5.51 | 4.07 |
| 20.0 | 3.92 | 2.20 | 4.43 | 2.51 | 4.67 | 2.89 | 5.00 | 3.25 | 5.35 | 3.55 | 5.51 | 4.07 |
| 25.0 | 3.92 | 2.20 | 4.43 | 2.51 | 4.67 | 2.89 | 5.00 | 3.25 | 5.35 | 3.55 | 5.51 | 4.07 |
| 30.0 | 3.92 | 2.20 | 4.43 | 2.51 | 4.67 | 2.89 | 5.00 | 3.25 | 5.35 | 3.55 | 5.51 | 4.07 |
| 35.0 | 3.92 | 2.20 | 4.43 | 2.51 | 4.67 | 2.89 | 5.00 | 3.25 | 5.35 | 3.55 | 5.51 | 4.07 |
| 40.0 | 2.90 | 1.21 | 3.28 | 1.38 | 3.46 | 1.58 | 3.70 | 1.78 | 3.96 | 1.95 | 4.08 | 2.23 |
| 46.0 | 1.88 | 0.51 | 2.13 | 0.58 | 2.24 | 0.67 | 2.40 | 0.75 | 2.57 | 0.82 | 2.64 | 0.94 |

Model: ASYG07KGTE

| Outdoor temperature | Indoor temperature (°CDB / °CWB) | | | | | | | | | | | |
|---------------------|----------------------------------|------|-------------|------|-------------|------|-------------|------|-------------|------|-------------|------|
| | 18.0 / 12.0 | | 21.0 / 15.0 | | 23.0 / 16.0 | | 27.0 / 19.0 | | 29.0 / 21.0 | | 32.0 / 23.0 | |
| (°CDB) | TC | SHC | TC | SHC | TC | SHC | TC | SHC | TC | SHC | TC | SHC |
| -10.0 | 1.96 | 1.10 | 2.22 | 1.26 | 2.34 | 1.45 | 2.50 | 1.63 | 2.67 | 1.78 | 2.76 | 2.04 |
| -5.0 | 1.96 | 1.10 | 2.22 | 1.26 | 2.34 | 1.45 | 2.50 | 1.63 | 2.67 | 1.78 | 2.76 | 2.04 |
| 0.0 | 1.96 | 1.10 | 2.22 | 1.26 | 2.34 | 1.45 | 2.50 | 1.63 | 2.67 | 1.78 | 2.76 | 2.04 |
| 5.0 | 1.96 | 1.10 | 2.22 | 1.26 | 2.34 | 1.45 | 2.50 | 1.63 | 2.67 | 1.78 | 2.76 | 2.04 |
| 10.0 | 1.96 | 1.10 | 2.22 | 1.26 | 2.34 | 1.45 | 2.50 | 1.63 | 2.67 | 1.78 | 2.76 | 2.04 |
| 15.0 | 1.96 | 1.10 | 2.22 | 1.26 | 2.34 | 1.45 | 2.50 | 1.63 | 2.67 | 1.78 | 2.76 | 2.04 |
| 20.0 | 1.96 | 1.10 | 2.22 | 1.26 | 2.34 | 1.45 | 2.50 | 1.63 | 2.67 | 1.78 | 2.76 | 2.04 |
| 25.0 | 1.96 | 1.10 | 2.22 | 1.26 | 2.34 | 1.45 | 2.50 | 1.63 | 2.67 | 1.78 | 2.76 | 2.04 |
| 30.0 | 1.96 | 1.10 | 2.22 | 1.26 | 2.34 | 1.45 | 2.50 | 1.63 | 2.67 | 1.78 | 2.76 | 2.04 |
| 35.0 | 1.96 | 1.10 | 2.22 | 1.26 | 2.34 | 1.45 | 2.50 | 1.63 | 2.67 | 1.78 | 2.76 | 2.04 |
| 40.0 | 1.45 | 0.60 | 1.64 | 0.69 | 1.73 | 0.79 | 1.85 | 0.89 | 1.98 | 0.97 | 2.04 | 1.12 |
| 46.0 | 0.94 | 0.25 | 1.06 | 0.29 | 1.12 | 0.33 | 1.20 | 0.37 | 1.28 | 0.41 | 1.32 | 0.47 |

Model: ASYG09KGTE

| Outdoor temperature | Indoor temperature (°CDB / °CWB) | | | | | | | | | | | |
|---------------------|----------------------------------|------|-------------|------|-------------|------|-------------|------|-------------|------|-------------|------|
| | 18.0 / 12.0 | | 21.0 / 15.0 | | 23.0 / 16.0 | | 27.0 / 19.0 | | 29.0 / 21.0 | | 32.0 / 23.0 | |
| (°CDB) | TC | SHC | TC | SHC | TC | SHC | TC | SHC | TC | SHC | TC | SHC |
| -10.0 | 2.51 | 1.41 | 2.84 | 1.61 | 2.99 | 1.85 | 3.20 | 2.08 | 3.42 | 2.27 | 3.53 | 2.61 |
| -5.0 | 2.51 | 1.41 | 2.84 | 1.61 | 2.99 | 1.85 | 3.20 | 2.08 | 3.42 | 2.27 | 3.53 | 2.61 |
| 0.0 | 2.51 | 1.41 | 2.84 | 1.61 | 2.99 | 1.85 | 3.20 | 2.08 | 3.42 | 2.27 | 3.53 | 2.61 |
| 5.0 | 2.51 | 1.41 | 2.84 | 1.61 | 2.99 | 1.85 | 3.20 | 2.08 | 3.42 | 2.27 | 3.53 | 2.61 |
| 10.0 | 2.51 | 1.41 | 2.84 | 1.61 | 2.99 | 1.85 | 3.20 | 2.08 | 3.42 | 2.27 | 3.53 | 2.61 |
| 15.0 | 2.51 | 1.41 | 2.84 | 1.61 | 2.99 | 1.85 | 3.20 | 2.08 | 3.42 | 2.27 | 3.53 | 2.61 |
| 20.0 | 2.51 | 1.41 | 2.84 | 1.61 | 2.99 | 1.85 | 3.20 | 2.08 | 3.42 | 2.27 | 3.53 | 2.61 |
| 25.0 | 2.51 | 1.41 | 2.84 | 1.61 | 2.99 | 1.85 | 3.20 | 2.08 | 3.42 | 2.27 | 3.53 | 2.61 |
| 30.0 | 2.51 | 1.41 | 2.84 | 1.61 | 2.99 | 1.85 | 3.20 | 2.08 | 3.42 | 2.27 | 3.53 | 2.61 |
| 35.0 | 2.51 | 1.41 | 2.84 | 1.61 | 2.99 | 1.85 | 3.20 | 2.08 | 3.42 | 2.27 | 3.53 | 2.61 |
| 40.0 | 1.86 | 0.77 | 2.10 | 0.88 | 2.21 | 1.01 | 2.37 | 1.14 | 2.53 | 1.25 | 2.61 | 1.43 |
| 46.0 | 1.20 | 0.32 | 1.36 | 0.37 | 1.43 | 0.43 | 1.54 | 0.48 | 1.64 | 0.52 | 1.69 | 0.60 |

Model: ASYG12KGTE

| Outdoor temperature | Indoor temperature (°CDB / °CWB) | | | | | | | | | | | |
|---------------------|----------------------------------|------|-------------|------|-------------|------|-------------|------|-------------|------|-------------|------|
| | 18.0 / 12.0 | | 21.0 / 15.0 | | 23.0 / 16.0 | | 27.0 / 19.0 | | 29.0 / 21.0 | | 32.0 / 23.0 | |
| (°CDB) | TC | SHC | TC | SHC | TC | SHC | TC | SHC | TC | SHC | TC | SHC |
| -10.0 | 3.37 | 1.90 | 3.81 | 2.16 | 4.02 | 2.49 | 4.30 | 2.80 | 4.60 | 3.06 | 4.74 | 3.50 |
| -5.0 | 3.37 | 1.90 | 3.81 | 2.16 | 4.02 | 2.49 | 4.30 | 2.80 | 4.60 | 3.06 | 4.74 | 3.50 |
| 0.0 | 3.37 | 1.90 | 3.81 | 2.16 | 4.02 | 2.49 | 4.30 | 2.80 | 4.60 | 3.06 | 4.74 | 3.50 |
| 5.0 | 3.37 | 1.90 | 3.81 | 2.16 | 4.02 | 2.49 | 4.30 | 2.80 | 4.60 | 3.06 | 4.74 | 3.50 |
| 10.0 | 3.37 | 1.90 | 3.81 | 2.16 | 4.02 | 2.49 | 4.30 | 2.80 | 4.60 | 3.06 | 4.74 | 3.50 |
| 15.0 | 3.37 | 1.90 | 3.81 | 2.16 | 4.02 | 2.49 | 4.30 | 2.80 | 4.60 | 3.06 | 4.74 | 3.50 |
| 20.0 | 3.37 | 1.90 | 3.81 | 2.16 | 4.02 | 2.49 | 4.30 | 2.80 | 4.60 | 3.06 | 4.74 | 3.50 |
| 25.0 | 3.37 | 1.90 | 3.81 | 2.16 | 4.02 | 2.49 | 4.30 | 2.80 | 4.60 | 3.06 | 4.74 | 3.50 |
| 30.0 | 3.37 | 1.90 | 3.81 | 2.16 | 4.02 | 2.49 | 4.30 | 2.80 | 4.60 | 3.06 | 4.74 | 3.50 |
| 35.0 | 3.37 | 1.90 | 3.81 | 2.16 | 4.02 | 2.49 | 4.30 | 2.80 | 4.60 | 3.06 | 4.74 | 3.50 |
| 40.0 | 2.49 | 1.04 | 2.82 | 1.18 | 2.97 | 1.36 | 3.18 | 1.53 | 3.40 | 1.67 | 3.51 | 1.92 |
| 46.0 | 1.62 | 0.44 | 1.83 | 0.50 | 1.93 | 0.57 | 2.06 | 0.64 | 2.21 | 0.70 | 2.27 | 0.81 |

Model: ASYG14KGTE

| Outdoor temperature | Indoor temperature (°CDB / °CWB) | | | | | | | | | | | |
|---------------------|----------------------------------|------|-------------|------|-------------|------|-------------|------|-------------|------|-------------|------|
| | 18.0 / 12.0 | | 21.0 / 15.0 | | 23.0 / 16.0 | | 27.0 / 19.0 | | 29.0 / 21.0 | | 32.0 / 23.0 | |
| (°CDB) | TC | SHC | TC | SHC | TC | SHC | TC | SHC | TC | SHC | TC | SHC |
| -10.0 | 3.92 | 2.20 | 4.43 | 2.51 | 4.67 | 2.89 | 5.00 | 3.25 | 5.35 | 3.55 | 5.51 | 4.07 |
| -5.0 | 3.92 | 2.20 | 4.43 | 2.51 | 4.67 | 2.89 | 5.00 | 3.25 | 5.35 | 3.55 | 5.51 | 4.07 |
| 0.0 | 3.92 | 2.20 | 4.43 | 2.51 | 4.67 | 2.89 | 5.00 | 3.25 | 5.35 | 3.55 | 5.51 | 4.07 |
| 5.0 | 3.92 | 2.20 | 4.43 | 2.51 | 4.67 | 2.89 | 5.00 | 3.25 | 5.35 | 3.55 | 5.51 | 4.07 |
| 10.0 | 3.92 | 2.20 | 4.43 | 2.51 | 4.67 | 2.89 | 5.00 | 3.25 | 5.35 | 3.55 | 5.51 | 4.07 |
| 15.0 | 3.92 | 2.20 | 4.43 | 2.51 | 4.67 | 2.89 | 5.00 | 3.25 | 5.35 | 3.55 | 5.51 | 4.07 |
| 20.0 | 3.92 | 2.20 | 4.43 | 2.51 | 4.67 | 2.89 | 5.00 | 3.25 | 5.35 | 3.55 | 5.51 | 4.07 |
| 25.0 | 3.92 | 2.20 | 4.43 | 2.51 | 4.67 | 2.89 | 5.00 | 3.25 | 5.35 | 3.55 | 5.51 | 4.07 |
| 30.0 | 3.92 | 2.20 | 4.43 | 2.51 | 4.67 | 2.89 | 5.00 | 3.25 | 5.35 | 3.55 | 5.51 | 4.07 |
| 35.0 | 3.92 | 2.20 | 4.43 | 2.51 | 4.67 | 2.89 | 5.00 | 3.25 | 5.35 | 3.55 | 5.51 | 4.07 |
| 40.0 | 2.90 | 1.21 | 3.28 | 1.38 | 3.46 | 1.58 | 3.70 | 1.78 | 3.96 | 1.95 | 4.08 | 2.23 |
| 46.0 | 1.88 | 0.51 | 2.13 | 0.58 | 2.24 | 0.67 | 2.40 | 0.75 | 2.57 | 0.82 | 2.64 | 0.94 |

Model: ASYG07KGTF

| Outdoor temperature | Indoor temperature (°CDB / °CWB) | | | | | | | | | | | |
|---------------------|----------------------------------|------|-------------|------|-------------|------|-------------|------|-------------|------|-------------|------|
| | 18.0 / 12.0 | | 21.0 / 15.0 | | 23.0 / 16.0 | | 27.0 / 19.0 | | 29.0 / 21.0 | | 32.0 / 23.0 | |
| (°CDB) | TC | SHC | TC | SHC | TC | SHC | TC | SHC | TC | SHC | TC | SHC |
| -10.0 | 1.96 | 1.10 | 2.22 | 1.26 | 2.34 | 1.45 | 2.50 | 1.63 | 2.67 | 1.78 | 2.76 | 2.04 |
| -5.0 | 1.96 | 1.10 | 2.22 | 1.26 | 2.34 | 1.45 | 2.50 | 1.63 | 2.67 | 1.78 | 2.76 | 2.04 |
| 0.0 | 1.96 | 1.10 | 2.22 | 1.26 | 2.34 | 1.45 | 2.50 | 1.63 | 2.67 | 1.78 | 2.76 | 2.04 |
| 5.0 | 1.96 | 1.10 | 2.22 | 1.26 | 2.34 | 1.45 | 2.50 | 1.63 | 2.67 | 1.78 | 2.76 | 2.04 |
| 10.0 | 1.96 | 1.10 | 2.22 | 1.26 | 2.34 | 1.45 | 2.50 | 1.63 | 2.67 | 1.78 | 2.76 | 2.04 |
| 15.0 | 1.96 | 1.10 | 2.22 | 1.26 | 2.34 | 1.45 | 2.50 | 1.63 | 2.67 | 1.78 | 2.76 | 2.04 |
| 20.0 | 1.96 | 1.10 | 2.22 | 1.26 | 2.34 | 1.45 | 2.50 | 1.63 | 2.67 | 1.78 | 2.76 | 2.04 |
| 25.0 | 1.96 | 1.10 | 2.22 | 1.26 | 2.34 | 1.45 | 2.50 | 1.63 | 2.67 | 1.78 | 2.76 | 2.04 |
| 30.0 | 1.96 | 1.10 | 2.22 | 1.26 | 2.34 | 1.45 | 2.50 | 1.63 | 2.67 | 1.78 | 2.76 | 2.04 |
| 35.0 | 1.96 | 1.10 | 2.22 | 1.26 | 2.34 | 1.45 | 2.50 | 1.63 | 2.67 | 1.78 | 2.76 | 2.04 |
| 40.0 | 1.45 | 0.60 | 1.64 | 0.69 | 1.73 | 0.79 | 1.85 | 0.89 | 1.98 | 0.97 | 2.04 | 1.12 |
| 46.0 | 0.94 | 0.25 | 1.06 | 0.29 | 1.12 | 0.33 | 1.20 | 0.37 | 1.28 | 0.41 | 1.32 | 0.47 |

Model: ASYG09KGTF

| Outdoor temperature | Indoor temperature (°CDB / °CWB) | | | | | | | | | | | |
|---------------------|----------------------------------|------|-------------|------|-------------|------|-------------|------|-------------|------|-------------|------|
| | 18.0 / 12.0 | | 21.0 / 15.0 | | 23.0 / 16.0 | | 27.0 / 19.0 | | 29.0 / 21.0 | | 32.0 / 23.0 | |
| (°CDB) | TC | SHC | TC | SHC | TC | SHC | TC | SHC | TC | SHC | TC | SHC |
| -10.0 | 2.51 | 1.41 | 2.84 | 1.61 | 2.99 | 1.85 | 3.20 | 2.08 | 3.42 | 2.27 | 3.53 | 2.61 |
| -5.0 | 2.51 | 1.41 | 2.84 | 1.61 | 2.99 | 1.85 | 3.20 | 2.08 | 3.42 | 2.27 | 3.53 | 2.61 |
| 0.0 | 2.51 | 1.41 | 2.84 | 1.61 | 2.99 | 1.85 | 3.20 | 2.08 | 3.42 | 2.27 | 3.53 | 2.61 |
| 5.0 | 2.51 | 1.41 | 2.84 | 1.61 | 2.99 | 1.85 | 3.20 | 2.08 | 3.42 | 2.27 | 3.53 | 2.61 |
| 10.0 | 2.51 | 1.41 | 2.84 | 1.61 | 2.99 | 1.85 | 3.20 | 2.08 | 3.42 | 2.27 | 3.53 | 2.61 |
| 15.0 | 2.51 | 1.41 | 2.84 | 1.61 | 2.99 | 1.85 | 3.20 | 2.08 | 3.42 | 2.27 | 3.53 | 2.61 |
| 20.0 | 2.51 | 1.41 | 2.84 | 1.61 | 2.99 | 1.85 | 3.20 | 2.08 | 3.42 | 2.27 | 3.53 | 2.61 |
| 25.0 | 2.51 | 1.41 | 2.84 | 1.61 | 2.99 | 1.85 | 3.20 | 2.08 | 3.42 | 2.27 | 3.53 | 2.61 |
| 30.0 | 2.51 | 1.41 | 2.84 | 1.61 | 2.99 | 1.85 | 3.20 | 2.08 | 3.42 | 2.27 | 3.53 | 2.61 |
| 35.0 | 2.51 | 1.41 | 2.84 | 1.61 | 2.99 | 1.85 | 3.20 | 2.08 | 3.42 | 2.27 | 3.53 | 2.61 |
| 40.0 | 1.86 | 0.77 | 2.10 | 0.88 | 2.21 | 1.01 | 2.37 | 1.14 | 2.53 | 1.25 | 2.61 | 1.43 |
| 46.0 | 1.20 | 0.32 | 1.36 | 0.37 | 1.43 | 0.43 | 1.54 | 0.48 | 1.64 | 0.52 | 1.69 | 0.60 |

Model: ASYG12KGTF

| Outdoor temperature | Indoor temperature (°CDB / °CWB) | | | | | | | | | | | |
|---------------------|----------------------------------|------|-------------|------|-------------|------|-------------|------|-------------|------|-------------|------|
| | 18.0 / 12.0 | | 21.0 / 15.0 | | 23.0 / 16.0 | | 27.0 / 19.0 | | 29.0 / 21.0 | | 32.0 / 23.0 | |
| (°CDB) | TC | SHC | TC | SHC | TC | SHC | TC | SHC | TC | SHC | TC | SHC |
| -10.0 | 3.37 | 1.90 | 3.81 | 2.16 | 4.02 | 2.49 | 4.30 | 2.80 | 4.60 | 3.06 | 4.74 | 3.50 |
| -5.0 | 3.37 | 1.90 | 3.81 | 2.16 | 4.02 | 2.49 | 4.30 | 2.80 | 4.60 | 3.06 | 4.74 | 3.50 |
| 0.0 | 3.37 | 1.90 | 3.81 | 2.16 | 4.02 | 2.49 | 4.30 | 2.80 | 4.60 | 3.06 | 4.74 | 3.50 |
| 5.0 | 3.37 | 1.90 | 3.81 | 2.16 | 4.02 | 2.49 | 4.30 | 2.80 | 4.60 | 3.06 | 4.74 | 3.50 |
| 10.0 | 3.37 | 1.90 | 3.81 | 2.16 | 4.02 | 2.49 | 4.30 | 2.80 | 4.60 | 3.06 | 4.74 | 3.50 |
| 15.0 | 3.37 | 1.90 | 3.81 | 2.16 | 4.02 | 2.49 | 4.30 | 2.80 | 4.60 | 3.06 | 4.74 | 3.50 |
| 20.0 | 3.37 | 1.90 | 3.81 | 2.16 | 4.02 | 2.49 | 4.30 | 2.80 | 4.60 | 3.06 | 4.74 | 3.50 |
| 25.0 | 3.37 | 1.90 | 3.81 | 2.16 | 4.02 | 2.49 | 4.30 | 2.80 | 4.60 | 3.06 | 4.74 | 3.50 |
| 30.0 | 3.37 | 1.90 | 3.81 | 2.16 | 4.02 | 2.49 | 4.30 | 2.80 | 4.60 | 3.06 | 4.74 | 3.50 |
| 35.0 | 3.37 | 1.90 | 3.81 | 2.16 | 4.02 | 2.49 | 4.30 | 2.80 | 4.60 | 3.06 | 4.74 | 3.50 |
| 40.0 | 2.49 | 1.04 | 2.82 | 1.18 | 2.97 | 1.36 | 3.18 | 1.53 | 3.40 | 1.67 | 3.51 | 1.92 |
| 46.0 | 1.62 | 0.44 | 1.83 | 0.50 | 1.93 | 0.57 | 2.06 | 0.64 | 2.21 | 0.70 | 2.27 | 0.81 |

Model: ASYG14KGTF

| Outdoor temperature | Indoor temperature (°CDB / °CWB) | | | | | | | | | | | |
|---------------------|----------------------------------|------|-------------|------|-------------|------|-------------|------|-------------|------|-------------|------|
| | 18.0 / 12.0 | | 21.0 / 15.0 | | 23.0 / 16.0 | | 27.0 / 19.0 | | 29.0 / 21.0 | | 32.0 / 23.0 | |
| (°CDB) | TC | SHC | TC | SHC | TC | SHC | TC | SHC | TC | SHC | TC | SHC |
| -10.0 | 3.92 | 2.20 | 4.43 | 2.51 | 4.67 | 2.89 | 5.00 | 3.25 | 5.35 | 3.55 | 5.51 | 4.07 |
| -5.0 | 3.92 | 2.20 | 4.43 | 2.51 | 4.67 | 2.89 | 5.00 | 3.25 | 5.35 | 3.55 | 5.51 | 4.07 |
| 0.0 | 3.92 | 2.20 | 4.43 | 2.51 | 4.67 | 2.89 | 5.00 | 3.25 | 5.35 | 3.55 | 5.51 | 4.07 |
| 5.0 | 3.92 | 2.20 | 4.43 | 2.51 | 4.67 | 2.89 | 5.00 | 3.25 | 5.35 | 3.55 | 5.51 | 4.07 |
| 10.0 | 3.92 | 2.20 | 4.43 | 2.51 | 4.67 | 2.89 | 5.00 | 3.25 | 5.35 | 3.55 | 5.51 | 4.07 |
| 15.0 | 3.92 | 2.20 | 4.43 | 2.51 | 4.67 | 2.89 | 5.00 | 3.25 | 5.35 | 3.55 | 5.51 | 4.07 |
| 20.0 | 3.92 | 2.20 | 4.43 | 2.51 | 4.67 | 2.89 | 5.00 | 3.25 | 5.35 | 3.55 | 5.51 | 4.07 |
| 25.0 | 3.92 | 2.20 | 4.43 | 2.51 | 4.67 | 2.89 | 5.00 | 3.25 | 5.35 | 3.55 | 5.51 | 4.07 |
| 30.0 | 3.92 | 2.20 | 4.43 | 2.51 | 4.67 | 2.89 | 5.00 | 3.25 | 5.35 | 3.55 | 5.51 | 4.07 |
| 35.0 | 3.92 | 2.20 | 4.43 | 2.51 | 4.67 | 2.89 | 5.00 | 3.25 | 5.35 | 3.55 | 5.51 | 4.07 |
| 40.0 | 2.90 | 1.21 | 3.28 | 1.38 | 3.46 | 1.58 | 3.70 | 1.78 | 3.96 | 1.95 | 4.08 | 2.23 |
| 46.0 | 1.88 | 0.51 | 2.13 | 0.58 | 2.24 | 0.67 | 2.40 | 0.75 | 2.57 | 0.82 | 2.64 | 0.94 |

Model: ASYG18KMTB

| Outdoor temperature | Indoor temperature (°CDB / °CWB) | | | | | | | | | | | |
|---------------------|----------------------------------|------|-------------|------|-------------|------|-------------|------|-------------|------|-------------|------|
| | 18.0 / 12.0 | | 21.0 / 15.0 | | 23.0 / 16.0 | | 27.0 / 19.0 | | 29.0 / 21.0 | | 32.0 / 23.0 | |
| (°CDB) | TC | SHC | TC | SHC | TC | SHC | TC | SHC | TC | SHC | TC | SHC |
| -10.0 | 4.85 | 3.27 | 5.48 | 3.73 | 5.78 | 4.30 | 6.19 | 4.83 | 6.62 | 5.28 | 6.82 | 6.05 |
| -5.0 | 4.85 | 3.27 | 5.48 | 3.73 | 5.78 | 4.30 | 6.19 | 4.83 | 6.62 | 5.28 | 6.82 | 6.05 |
| 0.0 | 4.85 | 3.27 | 5.48 | 3.73 | 5.78 | 4.30 | 6.19 | 4.83 | 6.62 | 5.28 | 6.82 | 6.05 |
| 5.0 | 4.85 | 3.27 | 5.48 | 3.73 | 5.78 | 4.30 | 6.19 | 4.83 | 6.62 | 5.28 | 6.82 | 6.05 |
| 10.0 | 4.85 | 3.27 | 5.48 | 3.73 | 5.78 | 4.30 | 6.19 | 4.83 | 6.62 | 5.28 | 6.82 | 6.05 |
| 15.0 | 4.85 | 3.27 | 5.48 | 3.73 | 5.78 | 4.30 | 6.19 | 4.83 | 6.62 | 5.28 | 6.82 | 6.05 |
| 20.0 | 4.85 | 3.27 | 5.48 | 3.73 | 5.78 | 4.30 | 6.19 | 4.83 | 6.62 | 5.28 | 6.82 | 6.05 |
| 25.0 | 4.85 | 3.27 | 5.48 | 3.73 | 5.78 | 4.30 | 6.19 | 4.83 | 6.62 | 5.28 | 6.82 | 6.05 |
| 30.0 | 4.85 | 3.27 | 5.48 | 3.73 | 5.78 | 4.30 | 6.19 | 4.83 | 6.62 | 5.28 | 6.82 | 6.05 |
| 35.0 | 4.85 | 3.27 | 5.48 | 3.73 | 5.78 | 4.30 | 6.19 | 4.83 | 6.62 | 5.28 | 6.82 | 6.05 |
| 40.0 | 3.59 | 1.79 | 4.06 | 2.04 | 4.28 | 2.35 | 4.58 | 2.64 | 4.90 | 2.89 | 5.05 | 3.31 |
| 46.0 | 2.33 | 0.75 | 2.63 | 0.86 | 2.78 | 0.99 | 2.97 | 1.11 | 3.18 | 1.22 | 3.27 | 1.39 |

Model: ASYG22KMTB

| Outdoor temperature | Indoor temperature (°CDB / °CWB) | | | | | | | | | | | |
|---------------------|----------------------------------|------|-------------|------|-------------|------|-------------|------|-------------|------|-------------|------|
| | 18.0 / 12.0 | | 21.0 / 15.0 | | 23.0 / 16.0 | | 27.0 / 19.0 | | 29.0 / 21.0 | | 32.0 / 23.0 | |
| (°CDB) | TC | SHC | TC | SHC | TC | SHC | TC | SHC | TC | SHC | TC | SHC |
| -10.0 | 6.12 | 3.93 | 6.91 | 4.48 | 7.29 | 5.16 | 7.80 | 5.80 | 8.34 | 6.34 | 8.60 | 7.27 |
| -5.0 | 6.12 | 3.93 | 6.91 | 4.48 | 7.29 | 5.16 | 7.80 | 5.80 | 8.34 | 6.34 | 8.60 | 7.27 |
| 0.0 | 6.12 | 3.93 | 6.91 | 4.48 | 7.29 | 5.16 | 7.80 | 5.80 | 8.34 | 6.34 | 8.60 | 7.27 |
| 5.0 | 6.12 | 3.93 | 6.91 | 4.48 | 7.29 | 5.16 | 7.80 | 5.80 | 8.34 | 6.34 | 8.60 | 7.27 |
| 10.0 | 6.12 | 3.93 | 6.91 | 4.48 | 7.29 | 5.16 | 7.80 | 5.80 | 8.34 | 6.34 | 8.60 | 7.27 |
| 15.0 | 6.12 | 3.93 | 6.91 | 4.48 | 7.29 | 5.16 | 7.80 | 5.80 | 8.34 | 6.34 | 8.60 | 7.27 |
| 20.0 | 6.12 | 3.93 | 6.91 | 4.48 | 7.29 | 5.16 | 7.80 | 5.80 | 8.34 | 6.34 | 8.60 | 7.27 |
| 25.0 | 6.12 | 3.93 | 6.91 | 4.48 | 7.29 | 5.16 | 7.80 | 5.80 | 8.34 | 6.34 | 8.60 | 7.27 |
| 30.0 | 6.12 | 3.93 | 6.91 | 4.48 | 7.29 | 5.16 | 7.80 | 5.80 | 8.34 | 6.34 | 8.60 | 7.27 |
| 35.0 | 6.12 | 3.93 | 6.91 | 4.48 | 7.29 | 5.16 | 7.80 | 5.80 | 8.34 | 6.34 | 8.60 | 7.27 |
| 40.0 | 4.53 | 2.15 | 5.11 | 2.45 | 5.39 | 2.83 | 5.77 | 3.17 | 6.17 | 3.47 | 6.36 | 3.98 |
| 46.0 | 2.94 | 0.91 | 3.32 | 1.03 | 3.50 | 1.19 | 3.74 | 1.34 | 4.00 | 1.46 | 4.13 | 1.67 |

Model: ASYG24KMTB

| Outdoor temperature | Indoor temperature (°CDB / °CWB) | | | | | | | | | | | |
|---------------------|----------------------------------|------|-------------|------|-------------|------|-------------|------|-------------|------|-------------|------|
| | 18.0 / 12.0 | | 21.0 / 15.0 | | 23.0 / 16.0 | | 27.0 / 19.0 | | 29.0 / 21.0 | | 32.0 / 23.0 | |
| (°CDB) | TC | SHC | TC | SHC | TC | SHC | TC | SHC | TC | SHC | TC | SHC |
| -10.0 | 6.68 | 4.31 | 7.55 | 4.92 | 7.96 | 5.66 | 8.52 | 6.36 | 9.11 | 6.96 | 9.39 | 7.97 |
| -5.0 | 6.68 | 4.31 | 7.55 | 4.92 | 7.96 | 5.66 | 8.52 | 6.36 | 9.11 | 6.96 | 9.39 | 7.97 |
| 0.0 | 6.68 | 4.31 | 7.55 | 4.92 | 7.96 | 5.66 | 8.52 | 6.36 | 9.11 | 6.96 | 9.39 | 7.97 |
| 5.0 | 6.68 | 4.31 | 7.55 | 4.92 | 7.96 | 5.66 | 8.52 | 6.36 | 9.11 | 6.96 | 9.39 | 7.97 |
| 10.0 | 6.68 | 4.31 | 7.55 | 4.92 | 7.96 | 5.66 | 8.52 | 6.36 | 9.11 | 6.96 | 9.39 | 7.97 |
| 15.0 | 6.68 | 4.31 | 7.55 | 4.92 | 7.96 | 5.66 | 8.52 | 6.36 | 9.11 | 6.96 | 9.39 | 7.97 |
| 20.0 | 6.68 | 4.31 | 7.55 | 4.92 | 7.96 | 5.66 | 8.52 | 6.36 | 9.11 | 6.96 | 9.39 | 7.97 |
| 25.0 | 6.68 | 4.31 | 7.55 | 4.92 | 7.96 | 5.66 | 8.52 | 6.36 | 9.11 | 6.96 | 9.39 | 7.97 |
| 30.0 | 6.68 | 4.31 | 7.55 | 4.92 | 7.96 | 5.66 | 8.52 | 6.36 | 9.11 | 6.96 | 9.39 | 7.97 |
| 35.0 | 6.68 | 4.31 | 7.55 | 4.92 | 7.96 | 5.66 | 8.52 | 6.36 | 9.11 | 6.96 | 9.39 | 7.97 |
| 40.0 | 4.94 | 2.36 | 5.59 | 2.69 | 5.89 | 3.10 | 6.30 | 3.48 | 6.74 | 3.81 | 6.95 | 4.36 |
| 46.0 | 3.21 | 0.99 | 3.62 | 1.13 | 3.82 | 1.30 | 4.09 | 1.47 | 4.37 | 1.60 | 4.51 | 1.84 |

OUTDOOR UNIT
AOYG36KBTAsOUTDOOR UNIT
AOYG36KBTAs

Model: ASYG18KMTE

| Outdoor temperature | Indoor temperature (°CDB / °CWB) | | | | | | | | | | | |
|---------------------|----------------------------------|------|-------------|------|-------------|------|-------------|------|-------------|------|-------------|------|
| | 18.0 / 12.0 | | 21.0 / 15.0 | | 23.0 / 16.0 | | 27.0 / 19.0 | | 29.0 / 21.0 | | 32.0 / 23.0 | |
| (°CDB) | TC | SHC | TC | SHC | TC | SHC | TC | SHC | TC | SHC | TC | SHC |
| -10.0 | 4.85 | 3.27 | 5.48 | 3.73 | 5.78 | 4.30 | 6.19 | 4.83 | 6.62 | 5.28 | 6.82 | 6.05 |
| -5.0 | 4.85 | 3.27 | 5.48 | 3.73 | 5.78 | 4.30 | 6.19 | 4.83 | 6.62 | 5.28 | 6.82 | 6.05 |
| 0.0 | 4.85 | 3.27 | 5.48 | 3.73 | 5.78 | 4.30 | 6.19 | 4.83 | 6.62 | 5.28 | 6.82 | 6.05 |
| 5.0 | 4.85 | 3.27 | 5.48 | 3.73 | 5.78 | 4.30 | 6.19 | 4.83 | 6.62 | 5.28 | 6.82 | 6.05 |
| 10.0 | 4.85 | 3.27 | 5.48 | 3.73 | 5.78 | 4.30 | 6.19 | 4.83 | 6.62 | 5.28 | 6.82 | 6.05 |
| 15.0 | 4.85 | 3.27 | 5.48 | 3.73 | 5.78 | 4.30 | 6.19 | 4.83 | 6.62 | 5.28 | 6.82 | 6.05 |
| 20.0 | 4.85 | 3.27 | 5.48 | 3.73 | 5.78 | 4.30 | 6.19 | 4.83 | 6.62 | 5.28 | 6.82 | 6.05 |
| 25.0 | 4.85 | 3.27 | 5.48 | 3.73 | 5.78 | 4.30 | 6.19 | 4.83 | 6.62 | 5.28 | 6.82 | 6.05 |
| 30.0 | 4.85 | 3.27 | 5.48 | 3.73 | 5.78 | 4.30 | 6.19 | 4.83 | 6.62 | 5.28 | 6.82 | 6.05 |
| 35.0 | 4.85 | 3.27 | 5.48 | 3.73 | 5.78 | 4.30 | 6.19 | 4.83 | 6.62 | 5.28 | 6.82 | 6.05 |
| 40.0 | 3.59 | 1.79 | 4.06 | 2.04 | 4.28 | 2.35 | 4.58 | 2.64 | 4.90 | 2.89 | 5.05 | 3.31 |
| 46.0 | 2.33 | 0.75 | 2.63 | 0.86 | 2.78 | 0.99 | 2.97 | 1.11 | 3.18 | 1.22 | 3.27 | 1.39 |

Model: ASYG22KMTE

| Outdoor temperature | Indoor temperature (°CDB / °CWB) | | | | | | | | | | | |
|---------------------|----------------------------------|------|-------------|------|-------------|------|-------------|------|-------------|------|-------------|------|
| | 18.0 / 12.0 | | 21.0 / 15.0 | | 23.0 / 16.0 | | 27.0 / 19.0 | | 29.0 / 21.0 | | 32.0 / 23.0 | |
| (°CDB) | TC | SHC | TC | SHC | TC | SHC | TC | SHC | TC | SHC | TC | SHC |
| -10.0 | 6.12 | 3.93 | 6.91 | 4.48 | 7.29 | 5.16 | 7.80 | 5.80 | 8.34 | 6.34 | 8.60 | 7.27 |
| -5.0 | 6.12 | 3.93 | 6.91 | 4.48 | 7.29 | 5.16 | 7.80 | 5.80 | 8.34 | 6.34 | 8.60 | 7.27 |
| 0.0 | 6.12 | 3.93 | 6.91 | 4.48 | 7.29 | 5.16 | 7.80 | 5.80 | 8.34 | 6.34 | 8.60 | 7.27 |
| 5.0 | 6.12 | 3.93 | 6.91 | 4.48 | 7.29 | 5.16 | 7.80 | 5.80 | 8.34 | 6.34 | 8.60 | 7.27 |
| 10.0 | 6.12 | 3.93 | 6.91 | 4.48 | 7.29 | 5.16 | 7.80 | 5.80 | 8.34 | 6.34 | 8.60 | 7.27 |
| 15.0 | 6.12 | 3.93 | 6.91 | 4.48 | 7.29 | 5.16 | 7.80 | 5.80 | 8.34 | 6.34 | 8.60 | 7.27 |
| 20.0 | 6.12 | 3.93 | 6.91 | 4.48 | 7.29 | 5.16 | 7.80 | 5.80 | 8.34 | 6.34 | 8.60 | 7.27 |
| 25.0 | 6.12 | 3.93 | 6.91 | 4.48 | 7.29 | 5.16 | 7.80 | 5.80 | 8.34 | 6.34 | 8.60 | 7.27 |
| 30.0 | 6.12 | 3.93 | 6.91 | 4.48 | 7.29 | 5.16 | 7.80 | 5.80 | 8.34 | 6.34 | 8.60 | 7.27 |
| 35.0 | 6.12 | 3.93 | 6.91 | 4.48 | 7.29 | 5.16 | 7.80 | 5.80 | 8.34 | 6.34 | 8.60 | 7.27 |
| 40.0 | 4.53 | 2.15 | 5.11 | 2.45 | 5.39 | 2.83 | 5.77 | 3.17 | 6.17 | 3.47 | 6.36 | 3.98 |
| 46.0 | 2.94 | 0.91 | 3.32 | 1.03 | 3.50 | 1.19 | 3.74 | 1.34 | 4.00 | 1.46 | 4.13 | 1.67 |

Model: ASYG24KMTE

| Outdoor temperature | Indoor temperature (°CDB / °CWB) | | | | | | | | | | | |
|---------------------|----------------------------------|------|-------------|------|-------------|------|-------------|------|-------------|------|-------------|------|
| | 18.0 / 12.0 | | 21.0 / 15.0 | | 23.0 / 16.0 | | 27.0 / 19.0 | | 29.0 / 21.0 | | 32.0 / 23.0 | |
| (°CDB) | TC | SHC | TC | SHC | TC | SHC | TC | SHC | TC | SHC | TC | SHC |
| -10.0 | 6.68 | 4.31 | 7.55 | 4.92 | 7.96 | 5.66 | 8.52 | 6.36 | 9.11 | 6.96 | 9.39 | 7.97 |
| -5.0 | 6.68 | 4.31 | 7.55 | 4.92 | 7.96 | 5.66 | 8.52 | 6.36 | 9.11 | 6.96 | 9.39 | 7.97 |
| 0.0 | 6.68 | 4.31 | 7.55 | 4.92 | 7.96 | 5.66 | 8.52 | 6.36 | 9.11 | 6.96 | 9.39 | 7.97 |
| 5.0 | 6.68 | 4.31 | 7.55 | 4.92 | 7.96 | 5.66 | 8.52 | 6.36 | 9.11 | 6.96 | 9.39 | 7.97 |
| 10.0 | 6.68 | 4.31 | 7.55 | 4.92 | 7.96 | 5.66 | 8.52 | 6.36 | 9.11 | 6.96 | 9.39 | 7.97 |
| 15.0 | 6.68 | 4.31 | 7.55 | 4.92 | 7.96 | 5.66 | 8.52 | 6.36 | 9.11 | 6.96 | 9.39 | 7.97 |
| 20.0 | 6.68 | 4.31 | 7.55 | 4.92 | 7.96 | 5.66 | 8.52 | 6.36 | 9.11 | 6.96 | 9.39 | 7.97 |
| 25.0 | 6.68 | 4.31 | 7.55 | 4.92 | 7.96 | 5.66 | 8.52 | 6.36 | 9.11 | 6.96 | 9.39 | 7.97 |
| 30.0 | 6.68 | 4.31 | 7.55 | 4.92 | 7.96 | 5.66 | 8.52 | 6.36 | 9.11 | 6.96 | 9.39 | 7.97 |
| 35.0 | 6.68 | 4.31 | 7.55 | 4.92 | 7.96 | 5.66 | 8.52 | 6.36 | 9.11 | 6.96 | 9.39 | 7.97 |
| 40.0 | 4.94 | 2.36 | 5.59 | 2.69 | 5.89 | 3.10 | 6.30 | 3.48 | 6.74 | 3.81 | 6.95 | 4.36 |
| 46.0 | 3.21 | 0.99 | 3.62 | 1.13 | 3.82 | 1.30 | 4.09 | 1.47 | 4.37 | 1.60 | 4.51 | 1.84 |

OUTDOOR UNIT
AOYG36KBTAsOUTDOOR UNIT
AOYG36KBTAs

Model: ASYG07KMTB

| Outdoor temperature | Indoor temperature (°CDB / °CWB) | | | | | | | | | | | |
|---------------------|----------------------------------|------|-------------|------|-------------|------|-------------|------|-------------|------|-------------|------|
| | 18.0 / 12.0 | | 21.0 / 15.0 | | 23.0 / 16.0 | | 27.0 / 19.0 | | 29.0 / 21.0 | | 32.0 / 23.0 | |
| (°CDB) | TC | SHC | TC | SHC | TC | SHC | TC | SHC | TC | SHC | TC | SHC |
| -10.0 | 1.96 | 1.10 | 2.22 | 1.26 | 2.34 | 1.45 | 2.50 | 1.63 | 2.67 | 1.78 | 2.76 | 2.04 |
| -5.0 | 1.96 | 1.10 | 2.22 | 1.26 | 2.34 | 1.45 | 2.50 | 1.63 | 2.67 | 1.78 | 2.76 | 2.04 |
| 0.0 | 1.96 | 1.10 | 2.22 | 1.26 | 2.34 | 1.45 | 2.50 | 1.63 | 2.67 | 1.78 | 2.76 | 2.04 |
| 5.0 | 1.96 | 1.10 | 2.22 | 1.26 | 2.34 | 1.45 | 2.50 | 1.63 | 2.67 | 1.78 | 2.76 | 2.04 |
| 10.0 | 1.96 | 1.10 | 2.22 | 1.26 | 2.34 | 1.45 | 2.50 | 1.63 | 2.67 | 1.78 | 2.76 | 2.04 |
| 15.0 | 1.96 | 1.10 | 2.22 | 1.26 | 2.34 | 1.45 | 2.50 | 1.63 | 2.67 | 1.78 | 2.76 | 2.04 |
| 20.0 | 1.96 | 1.10 | 2.22 | 1.26 | 2.34 | 1.45 | 2.50 | 1.63 | 2.67 | 1.78 | 2.76 | 2.04 |
| 25.0 | 1.96 | 1.10 | 2.22 | 1.26 | 2.34 | 1.45 | 2.50 | 1.63 | 2.67 | 1.78 | 2.76 | 2.04 |
| 30.0 | 1.96 | 1.10 | 2.22 | 1.26 | 2.34 | 1.45 | 2.50 | 1.63 | 2.67 | 1.78 | 2.76 | 2.04 |
| 35.0 | 1.96 | 1.10 | 2.22 | 1.26 | 2.34 | 1.45 | 2.50 | 1.63 | 2.67 | 1.78 | 2.76 | 2.04 |
| 40.0 | 1.45 | 0.60 | 1.64 | 0.69 | 1.73 | 0.79 | 1.85 | 0.89 | 1.98 | 0.97 | 2.04 | 1.12 |
| 46.0 | 0.94 | 0.25 | 1.06 | 0.29 | 1.12 | 0.33 | 1.20 | 0.37 | 1.28 | 0.41 | 1.32 | 0.47 |

Model: ASYG09KMTB

| Outdoor temperature | Indoor temperature (°CDB / °CWB) | | | | | | | | | | | |
|---------------------|----------------------------------|------|-------------|------|-------------|------|-------------|------|-------------|------|-------------|------|
| | 18.0 / 12.0 | | 21.0 / 15.0 | | 23.0 / 16.0 | | 27.0 / 19.0 | | 29.0 / 21.0 | | 32.0 / 23.0 | |
| (°CDB) | TC | SHC | TC | SHC | TC | SHC | TC | SHC | TC | SHC | TC | SHC |
| -10.0 | 2.51 | 1.41 | 2.84 | 1.61 | 2.99 | 1.85 | 3.20 | 2.08 | 3.42 | 2.27 | 3.53 | 2.61 |
| -5.0 | 2.51 | 1.41 | 2.84 | 1.61 | 2.99 | 1.85 | 3.20 | 2.08 | 3.42 | 2.27 | 3.53 | 2.61 |
| 0.0 | 2.51 | 1.41 | 2.84 | 1.61 | 2.99 | 1.85 | 3.20 | 2.08 | 3.42 | 2.27 | 3.53 | 2.61 |
| 5.0 | 2.51 | 1.41 | 2.84 | 1.61 | 2.99 | 1.85 | 3.20 | 2.08 | 3.42 | 2.27 | 3.53 | 2.61 |
| 10.0 | 2.51 | 1.41 | 2.84 | 1.61 | 2.99 | 1.85 | 3.20 | 2.08 | 3.42 | 2.27 | 3.53 | 2.61 |
| 15.0 | 2.51 | 1.41 | 2.84 | 1.61 | 2.99 | 1.85 | 3.20 | 2.08 | 3.42 | 2.27 | 3.53 | 2.61 |
| 20.0 | 2.51 | 1.41 | 2.84 | 1.61 | 2.99 | 1.85 | 3.20 | 2.08 | 3.42 | 2.27 | 3.53 | 2.61 |
| 25.0 | 2.51 | 1.41 | 2.84 | 1.61 | 2.99 | 1.85 | 3.20 | 2.08 | 3.42 | 2.27 | 3.53 | 2.61 |
| 30.0 | 2.51 | 1.41 | 2.84 | 1.61 | 2.99 | 1.85 | 3.20 | 2.08 | 3.42 | 2.27 | 3.53 | 2.61 |
| 35.0 | 2.51 | 1.41 | 2.84 | 1.61 | 2.99 | 1.85 | 3.20 | 2.08 | 3.42 | 2.27 | 3.53 | 2.61 |
| 40.0 | 1.86 | 0.77 | 2.10 | 0.88 | 2.21 | 1.01 | 2.37 | 1.14 | 2.53 | 1.25 | 2.61 | 1.43 |
| 46.0 | 1.20 | 0.32 | 1.36 | 0.37 | 1.43 | 0.43 | 1.54 | 0.48 | 1.64 | 0.52 | 1.69 | 0.60 |

Model: ASYG12KMTB

| Outdoor temperature | Indoor temperature (°CDB / °CWB) | | | | | | | | | | | |
|---------------------|----------------------------------|------|-------------|------|-------------|------|-------------|------|-------------|------|-------------|------|
| | 18.0 / 12.0 | | 21.0 / 15.0 | | 23.0 / 16.0 | | 27.0 / 19.0 | | 29.0 / 21.0 | | 32.0 / 23.0 | |
| (°CDB) | TC | SHC | TC | SHC | TC | SHC | TC | SHC | TC | SHC | TC | SHC |
| -10.0 | 3.37 | 1.90 | 3.81 | 2.16 | 4.02 | 2.49 | 4.30 | 2.80 | 4.60 | 3.06 | 4.74 | 3.50 |
| -5.0 | 3.37 | 1.90 | 3.81 | 2.16 | 4.02 | 2.49 | 4.30 | 2.80 | 4.60 | 3.06 | 4.74 | 3.50 |
| 0.0 | 3.37 | 1.90 | 3.81 | 2.16 | 4.02 | 2.49 | 4.30 | 2.80 | 4.60 | 3.06 | 4.74 | 3.50 |
| 5.0 | 3.37 | 1.90 | 3.81 | 2.16 | 4.02 | 2.49 | 4.30 | 2.80 | 4.60 | 3.06 | 4.74 | 3.50 |
| 10.0 | 3.37 | 1.90 | 3.81 | 2.16 | 4.02 | 2.49 | 4.30 | 2.80 | 4.60 | 3.06 | 4.74 | 3.50 |
| 15.0 | 3.37 | 1.90 | 3.81 | 2.16 | 4.02 | 2.49 | 4.30 | 2.80 | 4.60 | 3.06 | 4.74 | 3.50 |
| 20.0 | 3.37 | 1.90 | 3.81 | 2.16 | 4.02 | 2.49 | 4.30 | 2.80 | 4.60 | 3.06 | 4.74 | 3.50 |
| 25.0 | 3.37 | 1.90 | 3.81 | 2.16 | 4.02 | 2.49 | 4.30 | 2.80 | 4.60 | 3.06 | 4.74 | 3.50 |
| 30.0 | 3.37 | 1.90 | 3.81 | 2.16 | 4.02 | 2.49 | 4.30 | 2.80 | 4.60 | 3.06 | 4.74 | 3.50 |
| 35.0 | 3.37 | 1.90 | 3.81 | 2.16 | 4.02 | 2.49 | 4.30 | 2.80 | 4.60 | 3.06 | 4.74 | 3.50 |
| 40.0 | 2.49 | 1.04 | 2.82 | 1.18 | 2.97 | 1.36 | 3.18 | 1.53 | 3.40 | 1.67 | 3.51 | 1.92 |
| 46.0 | 1.62 | 0.44 | 1.83 | 0.50 | 1.93 | 0.57 | 2.06 | 0.64 | 2.21 | 0.70 | 2.27 | 0.81 |

Model: ASYG14KMTB

| Outdoor temperature | Indoor temperature (°CDB / °CWB) | | | | | | | | | | | |
|---------------------|----------------------------------|------|-------------|------|-------------|------|-------------|------|-------------|------|-------------|------|
| | 18.0 / 12.0 | | 21.0 / 15.0 | | 23.0 / 16.0 | | 27.0 / 19.0 | | 29.0 / 21.0 | | 32.0 / 23.0 | |
| (°CDB) | TC | SHC | TC | SHC | TC | SHC | TC | SHC | TC | SHC | TC | SHC |
| -10.0 | 3.92 | 2.20 | 4.43 | 2.51 | 4.67 | 2.89 | 5.00 | 3.25 | 5.35 | 3.55 | 5.51 | 4.07 |
| -5.0 | 3.92 | 2.20 | 4.43 | 2.51 | 4.67 | 2.89 | 5.00 | 3.25 | 5.35 | 3.55 | 5.51 | 4.07 |
| 0.0 | 3.92 | 2.20 | 4.43 | 2.51 | 4.67 | 2.89 | 5.00 | 3.25 | 5.35 | 3.55 | 5.51 | 4.07 |
| 5.0 | 3.92 | 2.20 | 4.43 | 2.51 | 4.67 | 2.89 | 5.00 | 3.25 | 5.35 | 3.55 | 5.51 | 4.07 |
| 10.0 | 3.92 | 2.20 | 4.43 | 2.51 | 4.67 | 2.89 | 5.00 | 3.25 | 5.35 | 3.55 | 5.51 | 4.07 |
| 15.0 | 3.92 | 2.20 | 4.43 | 2.51 | 4.67 | 2.89 | 5.00 | 3.25 | 5.35 | 3.55 | 5.51 | 4.07 |
| 20.0 | 3.92 | 2.20 | 4.43 | 2.51 | 4.67 | 2.89 | 5.00 | 3.25 | 5.35 | 3.55 | 5.51 | 4.07 |
| 25.0 | 3.92 | 2.20 | 4.43 | 2.51 | 4.67 | 2.89 | 5.00 | 3.25 | 5.35 | 3.55 | 5.51 | 4.07 |
| 30.0 | 3.92 | 2.20 | 4.43 | 2.51 | 4.67 | 2.89 | 5.00 | 3.25 | 5.35 | 3.55 | 5.51 | 4.07 |
| 35.0 | 3.92 | 2.20 | 4.43 | 2.51 | 4.67 | 2.89 | 5.00 | 3.25 | 5.35 | 3.55 | 5.51 | 4.07 |
| 40.0 | 2.90 | 1.21 | 3.28 | 1.38 | 3.46 | 1.58 | 3.70 | 1.78 | 3.96 | 1.95 | 4.08 | 2.23 |
| 46.0 | 1.88 | 0.51 | 2.13 | 0.58 | 2.24 | 0.67 | 2.40 | 0.75 | 2.57 | 0.82 | 2.64 | 0.94 |

Model: ASYG07KMCC

| Outdoor temperature | Indoor temperature (°CDB / °CWB) | | | | | | | | | | | |
|---------------------|----------------------------------|------|-------------|------|-------------|------|-------------|------|-------------|------|-------------|------|
| | 18.0 / 12.0 | | 21.0 / 15.0 | | 23.0 / 16.0 | | 27.0 / 19.0 | | 29.0 / 21.0 | | 32.0 / 23.0 | |
| (°CDB) | TC | SHC | TC | SHC | TC | SHC | TC | SHC | TC | SHC | TC | SHC |
| -10.0 | 1.96 | 1.10 | 2.22 | 1.26 | 2.34 | 1.45 | 2.50 | 1.63 | 2.67 | 1.78 | 2.76 | 2.04 |
| -5.0 | 1.96 | 1.10 | 2.22 | 1.26 | 2.34 | 1.45 | 2.50 | 1.63 | 2.67 | 1.78 | 2.76 | 2.04 |
| 0.0 | 1.96 | 1.10 | 2.22 | 1.26 | 2.34 | 1.45 | 2.50 | 1.63 | 2.67 | 1.78 | 2.76 | 2.04 |
| 5.0 | 1.96 | 1.10 | 2.22 | 1.26 | 2.34 | 1.45 | 2.50 | 1.63 | 2.67 | 1.78 | 2.76 | 2.04 |
| 10.0 | 1.96 | 1.10 | 2.22 | 1.26 | 2.34 | 1.45 | 2.50 | 1.63 | 2.67 | 1.78 | 2.76 | 2.04 |
| 15.0 | 1.96 | 1.10 | 2.22 | 1.26 | 2.34 | 1.45 | 2.50 | 1.63 | 2.67 | 1.78 | 2.76 | 2.04 |
| 20.0 | 1.96 | 1.10 | 2.22 | 1.26 | 2.34 | 1.45 | 2.50 | 1.63 | 2.67 | 1.78 | 2.76 | 2.04 |
| 25.0 | 1.96 | 1.10 | 2.22 | 1.26 | 2.34 | 1.45 | 2.50 | 1.63 | 2.67 | 1.78 | 2.76 | 2.04 |
| 30.0 | 1.96 | 1.10 | 2.22 | 1.26 | 2.34 | 1.45 | 2.50 | 1.63 | 2.67 | 1.78 | 2.76 | 2.04 |
| 35.0 | 1.96 | 1.10 | 2.22 | 1.26 | 2.34 | 1.45 | 2.50 | 1.63 | 2.67 | 1.78 | 2.76 | 2.04 |
| 40.0 | 1.45 | 0.60 | 1.64 | 0.69 | 1.73 | 0.79 | 1.85 | 0.89 | 1.98 | 0.97 | 2.04 | 1.12 |
| 46.0 | 0.94 | 0.25 | 1.06 | 0.29 | 1.12 | 0.33 | 1.20 | 0.37 | 1.28 | 0.41 | 1.32 | 0.47 |

Model: ASYG09KMCC

| Outdoor temperature | Indoor temperature (°CDB / °CWB) | | | | | | | | | | | |
|---------------------|----------------------------------|------|-------------|------|-------------|------|-------------|------|-------------|------|-------------|------|
| | 18.0 / 12.0 | | 21.0 / 15.0 | | 23.0 / 16.0 | | 27.0 / 19.0 | | 29.0 / 21.0 | | 32.0 / 23.0 | |
| (°CDB) | TC | SHC | TC | SHC | TC | SHC | TC | SHC | TC | SHC | TC | SHC |
| -10.0 | 2.51 | 1.41 | 2.84 | 1.61 | 2.99 | 1.85 | 3.20 | 2.08 | 3.42 | 2.27 | 3.53 | 2.61 |
| -5.0 | 2.51 | 1.41 | 2.84 | 1.61 | 2.99 | 1.85 | 3.20 | 2.08 | 3.42 | 2.27 | 3.53 | 2.61 |
| 0.0 | 2.51 | 1.41 | 2.84 | 1.61 | 2.99 | 1.85 | 3.20 | 2.08 | 3.42 | 2.27 | 3.53 | 2.61 |
| 5.0 | 2.51 | 1.41 | 2.84 | 1.61 | 2.99 | 1.85 | 3.20 | 2.08 | 3.42 | 2.27 | 3.53 | 2.61 |
| 10.0 | 2.51 | 1.41 | 2.84 | 1.61 | 2.99 | 1.85 | 3.20 | 2.08 | 3.42 | 2.27 | 3.53 | 2.61 |
| 15.0 | 2.51 | 1.41 | 2.84 | 1.61 | 2.99 | 1.85 | 3.20 | 2.08 | 3.42 | 2.27 | 3.53 | 2.61 |
| 20.0 | 2.51 | 1.41 | 2.84 | 1.61 | 2.99 | 1.85 | 3.20 | 2.08 | 3.42 | 2.27 | 3.53 | 2.61 |
| 25.0 | 2.51 | 1.41 | 2.84 | 1.61 | 2.99 | 1.85 | 3.20 | 2.08 | 3.42 | 2.27 | 3.53 | 2.61 |
| 30.0 | 2.51 | 1.41 | 2.84 | 1.61 | 2.99 | 1.85 | 3.20 | 2.08 | 3.42 | 2.27 | 3.53 | 2.61 |
| 35.0 | 2.51 | 1.41 | 2.84 | 1.61 | 2.99 | 1.85 | 3.20 | 2.08 | 3.42 | 2.27 | 3.53 | 2.61 |
| 40.0 | 1.86 | 0.77 | 2.10 | 0.88 | 2.21 | 1.01 | 2.37 | 1.14 | 2.53 | 1.25 | 2.61 | 1.43 |
| 46.0 | 1.20 | 0.32 | 1.36 | 0.37 | 1.43 | 0.43 | 1.54 | 0.48 | 1.64 | 0.52 | 1.69 | 0.60 |

Model: ASYG12KMCC

| Outdoor temperature | Indoor temperature (°CDB / °CWB) | | | | | | | | | | | |
|---------------------|----------------------------------|------|-------------|------|-------------|------|-------------|------|-------------|------|-------------|------|
| | 18.0 / 12.0 | | 21.0 / 15.0 | | 23.0 / 16.0 | | 27.0 / 19.0 | | 29.0 / 21.0 | | 32.0 / 23.0 | |
| (°CDB) | TC | SHC | TC | SHC | TC | SHC | TC | SHC | TC | SHC | TC | SHC |
| -10.0 | 3.37 | 1.90 | 3.81 | 2.16 | 4.02 | 2.49 | 4.30 | 2.80 | 4.60 | 3.06 | 4.74 | 3.50 |
| -5.0 | 3.37 | 1.90 | 3.81 | 2.16 | 4.02 | 2.49 | 4.30 | 2.80 | 4.60 | 3.06 | 4.74 | 3.50 |
| 0.0 | 3.37 | 1.90 | 3.81 | 2.16 | 4.02 | 2.49 | 4.30 | 2.80 | 4.60 | 3.06 | 4.74 | 3.50 |
| 5.0 | 3.37 | 1.90 | 3.81 | 2.16 | 4.02 | 2.49 | 4.30 | 2.80 | 4.60 | 3.06 | 4.74 | 3.50 |
| 10.0 | 3.37 | 1.90 | 3.81 | 2.16 | 4.02 | 2.49 | 4.30 | 2.80 | 4.60 | 3.06 | 4.74 | 3.50 |
| 15.0 | 3.37 | 1.90 | 3.81 | 2.16 | 4.02 | 2.49 | 4.30 | 2.80 | 4.60 | 3.06 | 4.74 | 3.50 |
| 20.0 | 3.37 | 1.90 | 3.81 | 2.16 | 4.02 | 2.49 | 4.30 | 2.80 | 4.60 | 3.06 | 4.74 | 3.50 |
| 25.0 | 3.37 | 1.90 | 3.81 | 2.16 | 4.02 | 2.49 | 4.30 | 2.80 | 4.60 | 3.06 | 4.74 | 3.50 |
| 30.0 | 3.37 | 1.90 | 3.81 | 2.16 | 4.02 | 2.49 | 4.30 | 2.80 | 4.60 | 3.06 | 4.74 | 3.50 |
| 35.0 | 3.37 | 1.90 | 3.81 | 2.16 | 4.02 | 2.49 | 4.30 | 2.80 | 4.60 | 3.06 | 4.74 | 3.50 |
| 40.0 | 2.49 | 1.04 | 2.82 | 1.18 | 2.97 | 1.36 | 3.18 | 1.53 | 3.40 | 1.67 | 3.51 | 1.92 |
| 46.0 | 1.62 | 0.44 | 1.83 | 0.50 | 1.93 | 0.57 | 2.06 | 0.64 | 2.21 | 0.70 | 2.27 | 0.81 |

Model: ASYG14KMCC

| Outdoor temperature | Indoor temperature (°CDB / °CWB) | | | | | | | | | | | |
|---------------------|----------------------------------|------|-------------|------|-------------|------|-------------|------|-------------|------|-------------|------|
| | 18.0 / 12.0 | | 21.0 / 15.0 | | 23.0 / 16.0 | | 27.0 / 19.0 | | 29.0 / 21.0 | | 32.0 / 23.0 | |
| (°CDB) | TC | SHC | TC | SHC | TC | SHC | TC | SHC | TC | SHC | TC | SHC |
| -10.0 | 3.92 | 2.20 | 4.43 | 2.51 | 4.67 | 2.89 | 5.00 | 3.25 | 5.35 | 3.55 | 5.51 | 4.07 |
| -5.0 | 3.92 | 2.20 | 4.43 | 2.51 | 4.67 | 2.89 | 5.00 | 3.25 | 5.35 | 3.55 | 5.51 | 4.07 |
| 0.0 | 3.92 | 2.20 | 4.43 | 2.51 | 4.67 | 2.89 | 5.00 | 3.25 | 5.35 | 3.55 | 5.51 | 4.07 |
| 5.0 | 3.92 | 2.20 | 4.43 | 2.51 | 4.67 | 2.89 | 5.00 | 3.25 | 5.35 | 3.55 | 5.51 | 4.07 |
| 10.0 | 3.92 | 2.20 | 4.43 | 2.51 | 4.67 | 2.89 | 5.00 | 3.25 | 5.35 | 3.55 | 5.51 | 4.07 |
| 15.0 | 3.92 | 2.20 | 4.43 | 2.51 | 4.67 | 2.89 | 5.00 | 3.25 | 5.35 | 3.55 | 5.51 | 4.07 |
| 20.0 | 3.92 | 2.20 | 4.43 | 2.51 | 4.67 | 2.89 | 5.00 | 3.25 | 5.35 | 3.55 | 5.51 | 4.07 |
| 25.0 | 3.92 | 2.20 | 4.43 | 2.51 | 4.67 | 2.89 | 5.00 | 3.25 | 5.35 | 3.55 | 5.51 | 4.07 |
| 30.0 | 3.92 | 2.20 | 4.43 | 2.51 | 4.67 | 2.89 | 5.00 | 3.25 | 5.35 | 3.55 | 5.51 | 4.07 |
| 35.0 | 3.92 | 2.20 | 4.43 | 2.51 | 4.67 | 2.89 | 5.00 | 3.25 | 5.35 | 3.55 | 5.51 | 4.07 |
| 40.0 | 2.90 | 1.21 | 3.28 | 1.38 | 3.46 | 1.58 | 3.70 | 1.78 | 3.96 | 1.95 | 4.08 | 2.23 |
| 46.0 | 1.88 | 0.51 | 2.13 | 0.58 | 2.24 | 0.67 | 2.40 | 0.75 | 2.57 | 0.82 | 2.64 | 0.94 |

Model: ASYG07KMCE

| Outdoor temperature | Indoor temperature (°CDB / °CWB) | | | | | | | | | | | |
|---------------------|----------------------------------|------|-------------|------|-------------|------|-------------|------|-------------|------|-------------|------|
| | 18.0 / 12.0 | | 21.0 / 15.0 | | 23.0 / 16.0 | | 27.0 / 19.0 | | 29.0 / 21.0 | | 32.0 / 23.0 | |
| (°CDB) | TC | SHC | TC | SHC | TC | SHC | TC | SHC | TC | SHC | TC | SHC |
| -10.0 | 1.96 | 1.10 | 2.22 | 1.26 | 2.34 | 1.45 | 2.50 | 1.63 | 2.67 | 1.78 | 2.76 | 2.04 |
| -5.0 | 1.96 | 1.10 | 2.22 | 1.26 | 2.34 | 1.45 | 2.50 | 1.63 | 2.67 | 1.78 | 2.76 | 2.04 |
| 0.0 | 1.96 | 1.10 | 2.22 | 1.26 | 2.34 | 1.45 | 2.50 | 1.63 | 2.67 | 1.78 | 2.76 | 2.04 |
| 5.0 | 1.96 | 1.10 | 2.22 | 1.26 | 2.34 | 1.45 | 2.50 | 1.63 | 2.67 | 1.78 | 2.76 | 2.04 |
| 10.0 | 1.96 | 1.10 | 2.22 | 1.26 | 2.34 | 1.45 | 2.50 | 1.63 | 2.67 | 1.78 | 2.76 | 2.04 |
| 15.0 | 1.96 | 1.10 | 2.22 | 1.26 | 2.34 | 1.45 | 2.50 | 1.63 | 2.67 | 1.78 | 2.76 | 2.04 |
| 20.0 | 1.96 | 1.10 | 2.22 | 1.26 | 2.34 | 1.45 | 2.50 | 1.63 | 2.67 | 1.78 | 2.76 | 2.04 |
| 25.0 | 1.96 | 1.10 | 2.22 | 1.26 | 2.34 | 1.45 | 2.50 | 1.63 | 2.67 | 1.78 | 2.76 | 2.04 |
| 30.0 | 1.96 | 1.10 | 2.22 | 1.26 | 2.34 | 1.45 | 2.50 | 1.63 | 2.67 | 1.78 | 2.76 | 2.04 |
| 35.0 | 1.96 | 1.10 | 2.22 | 1.26 | 2.34 | 1.45 | 2.50 | 1.63 | 2.67 | 1.78 | 2.76 | 2.04 |
| 40.0 | 1.45 | 0.60 | 1.64 | 0.69 | 1.73 | 0.79 | 1.85 | 0.89 | 1.98 | 0.97 | 2.04 | 1.12 |
| 46.0 | 0.94 | 0.25 | 1.06 | 0.29 | 1.12 | 0.33 | 1.20 | 0.37 | 1.28 | 0.41 | 1.32 | 0.47 |

Model: ASYG09KMCE

| Outdoor temperature | Indoor temperature (°CDB / °CWB) | | | | | | | | | | | |
|---------------------|----------------------------------|------|-------------|------|-------------|------|-------------|------|-------------|------|-------------|------|
| | 18.0 / 12.0 | | 21.0 / 15.0 | | 23.0 / 16.0 | | 27.0 / 19.0 | | 29.0 / 21.0 | | 32.0 / 23.0 | |
| (°CDB) | TC | SHC | TC | SHC | TC | SHC | TC | SHC | TC | SHC | TC | SHC |
| -10.0 | 2.51 | 1.41 | 2.84 | 1.61 | 2.99 | 1.85 | 3.20 | 2.08 | 3.42 | 2.27 | 3.53 | 2.61 |
| -5.0 | 2.51 | 1.41 | 2.84 | 1.61 | 2.99 | 1.85 | 3.20 | 2.08 | 3.42 | 2.27 | 3.53 | 2.61 |
| 0.0 | 2.51 | 1.41 | 2.84 | 1.61 | 2.99 | 1.85 | 3.20 | 2.08 | 3.42 | 2.27 | 3.53 | 2.61 |
| 5.0 | 2.51 | 1.41 | 2.84 | 1.61 | 2.99 | 1.85 | 3.20 | 2.08 | 3.42 | 2.27 | 3.53 | 2.61 |
| 10.0 | 2.51 | 1.41 | 2.84 | 1.61 | 2.99 | 1.85 | 3.20 | 2.08 | 3.42 | 2.27 | 3.53 | 2.61 |
| 15.0 | 2.51 | 1.41 | 2.84 | 1.61 | 2.99 | 1.85 | 3.20 | 2.08 | 3.42 | 2.27 | 3.53 | 2.61 |
| 20.0 | 2.51 | 1.41 | 2.84 | 1.61 | 2.99 | 1.85 | 3.20 | 2.08 | 3.42 | 2.27 | 3.53 | 2.61 |
| 25.0 | 2.51 | 1.41 | 2.84 | 1.61 | 2.99 | 1.85 | 3.20 | 2.08 | 3.42 | 2.27 | 3.53 | 2.61 |
| 30.0 | 2.51 | 1.41 | 2.84 | 1.61 | 2.99 | 1.85 | 3.20 | 2.08 | 3.42 | 2.27 | 3.53 | 2.61 |
| 35.0 | 2.51 | 1.41 | 2.84 | 1.61 | 2.99 | 1.85 | 3.20 | 2.08 | 3.42 | 2.27 | 3.53 | 2.61 |
| 40.0 | 1.86 | 0.77 | 2.10 | 0.88 | 2.21 | 1.01 | 2.37 | 1.14 | 2.53 | 1.25 | 2.61 | 1.43 |
| 46.0 | 1.20 | 0.32 | 1.36 | 0.37 | 1.43 | 0.43 | 1.54 | 0.48 | 1.64 | 0.52 | 1.69 | 0.60 |

Model: ASYG12KMCE

| Outdoor temperature | Indoor temperature (°CDB / °CWB) | | | | | | | | | | | |
|---------------------|----------------------------------|------|-------------|------|-------------|------|-------------|------|-------------|------|-------------|------|
| | 18.0 / 12.0 | | 21.0 / 15.0 | | 23.0 / 16.0 | | 27.0 / 19.0 | | 29.0 / 21.0 | | 32.0 / 23.0 | |
| (°CDB) | TC | SHC | TC | SHC | TC | SHC | TC | SHC | TC | SHC | TC | SHC |
| -10.0 | 3.37 | 1.90 | 3.81 | 2.16 | 4.02 | 2.49 | 4.30 | 2.80 | 4.60 | 3.06 | 4.74 | 3.50 |
| -5.0 | 3.37 | 1.90 | 3.81 | 2.16 | 4.02 | 2.49 | 4.30 | 2.80 | 4.60 | 3.06 | 4.74 | 3.50 |
| 0.0 | 3.37 | 1.90 | 3.81 | 2.16 | 4.02 | 2.49 | 4.30 | 2.80 | 4.60 | 3.06 | 4.74 | 3.50 |
| 5.0 | 3.37 | 1.90 | 3.81 | 2.16 | 4.02 | 2.49 | 4.30 | 2.80 | 4.60 | 3.06 | 4.74 | 3.50 |
| 10.0 | 3.37 | 1.90 | 3.81 | 2.16 | 4.02 | 2.49 | 4.30 | 2.80 | 4.60 | 3.06 | 4.74 | 3.50 |
| 15.0 | 3.37 | 1.90 | 3.81 | 2.16 | 4.02 | 2.49 | 4.30 | 2.80 | 4.60 | 3.06 | 4.74 | 3.50 |
| 20.0 | 3.37 | 1.90 | 3.81 | 2.16 | 4.02 | 2.49 | 4.30 | 2.80 | 4.60 | 3.06 | 4.74 | 3.50 |
| 25.0 | 3.37 | 1.90 | 3.81 | 2.16 | 4.02 | 2.49 | 4.30 | 2.80 | 4.60 | 3.06 | 4.74 | 3.50 |
| 30.0 | 3.37 | 1.90 | 3.81 | 2.16 | 4.02 | 2.49 | 4.30 | 2.80 | 4.60 | 3.06 | 4.74 | 3.50 |
| 35.0 | 3.37 | 1.90 | 3.81 | 2.16 | 4.02 | 2.49 | 4.30 | 2.80 | 4.60 | 3.06 | 4.74 | 3.50 |
| 40.0 | 2.49 | 1.04 | 2.82 | 1.18 | 2.97 | 1.36 | 3.18 | 1.53 | 3.40 | 1.67 | 3.51 | 1.92 |
| 46.0 | 1.62 | 0.44 | 1.83 | 0.50 | 1.93 | 0.57 | 2.06 | 0.64 | 2.21 | 0.70 | 2.27 | 0.81 |

Model: ASYG14KMCE

| Outdoor temperature | Indoor temperature (°CDB / °CWB) | | | | | | | | | | | |
|---------------------|----------------------------------|------|-------------|------|-------------|------|-------------|------|-------------|------|-------------|------|
| | 18.0 / 12.0 | | 21.0 / 15.0 | | 23.0 / 16.0 | | 27.0 / 19.0 | | 29.0 / 21.0 | | 32.0 / 23.0 | |
| (°CDB) | TC | SHC | TC | SHC | TC | SHC | TC | SHC | TC | SHC | TC | SHC |
| -10.0 | 3.92 | 2.20 | 4.43 | 2.51 | 4.67 | 2.89 | 5.00 | 3.25 | 5.35 | 3.55 | 5.51 | 4.07 |
| -5.0 | 3.92 | 2.20 | 4.43 | 2.51 | 4.67 | 2.89 | 5.00 | 3.25 | 5.35 | 3.55 | 5.51 | 4.07 |
| 0.0 | 3.92 | 2.20 | 4.43 | 2.51 | 4.67 | 2.89 | 5.00 | 3.25 | 5.35 | 3.55 | 5.51 | 4.07 |
| 5.0 | 3.92 | 2.20 | 4.43 | 2.51 | 4.67 | 2.89 | 5.00 | 3.25 | 5.35 | 3.55 | 5.51 | 4.07 |
| 10.0 | 3.92 | 2.20 | 4.43 | 2.51 | 4.67 | 2.89 | 5.00 | 3.25 | 5.35 | 3.55 | 5.51 | 4.07 |
| 15.0 | 3.92 | 2.20 | 4.43 | 2.51 | 4.67 | 2.89 | 5.00 | 3.25 | 5.35 | 3.55 | 5.51 | 4.07 |
| 20.0 | 3.92 | 2.20 | 4.43 | 2.51 | 4.67 | 2.89 | 5.00 | 3.25 | 5.35 | 3.55 | 5.51 | 4.07 |
| 25.0 | 3.92 | 2.20 | 4.43 | 2.51 | 4.67 | 2.89 | 5.00 | 3.25 | 5.35 | 3.55 | 5.51 | 4.07 |
| 30.0 | 3.92 | 2.20 | 4.43 | 2.51 | 4.67 | 2.89 | 5.00 | 3.25 | 5.35 | 3.55 | 5.51 | 4.07 |
| 35.0 | 3.92 | 2.20 | 4.43 | 2.51 | 4.67 | 2.89 | 5.00 | 3.25 | 5.35 | 3.55 | 5.51 | 4.07 |
| 40.0 | 2.90 | 1.21 | 3.28 | 1.38 | 3.46 | 1.58 | 3.70 | 1.78 | 3.96 | 1.95 | 4.08 | 2.23 |
| 46.0 | 1.88 | 0.51 | 2.13 | 0.58 | 2.24 | 0.67 | 2.40 | 0.75 | 2.57 | 0.82 | 2.64 | 0.94 |

Model: ASYG07KMCF

| Outdoor temperature | Indoor temperature (°CDB / °CWB) | | | | | | | | | | | |
|---------------------|----------------------------------|------|-------------|------|-------------|------|-------------|------|-------------|------|-------------|------|
| | 18.0 / 12.0 | | 21.0 / 15.0 | | 23.0 / 16.0 | | 27.0 / 19.0 | | 29.0 / 21.0 | | 32.0 / 23.0 | |
| (°CDB) | TC | SHC | TC | SHC | TC | SHC | TC | SHC | TC | SHC | TC | SHC |
| -10.0 | 1.96 | 1.10 | 2.22 | 1.26 | 2.34 | 1.45 | 2.50 | 1.63 | 2.67 | 1.78 | 2.76 | 2.04 |
| -5.0 | 1.96 | 1.10 | 2.22 | 1.26 | 2.34 | 1.45 | 2.50 | 1.63 | 2.67 | 1.78 | 2.76 | 2.04 |
| 0.0 | 1.96 | 1.10 | 2.22 | 1.26 | 2.34 | 1.45 | 2.50 | 1.63 | 2.67 | 1.78 | 2.76 | 2.04 |
| 5.0 | 1.96 | 1.10 | 2.22 | 1.26 | 2.34 | 1.45 | 2.50 | 1.63 | 2.67 | 1.78 | 2.76 | 2.04 |
| 10.0 | 1.96 | 1.10 | 2.22 | 1.26 | 2.34 | 1.45 | 2.50 | 1.63 | 2.67 | 1.78 | 2.76 | 2.04 |
| 15.0 | 1.96 | 1.10 | 2.22 | 1.26 | 2.34 | 1.45 | 2.50 | 1.63 | 2.67 | 1.78 | 2.76 | 2.04 |
| 20.0 | 1.96 | 1.10 | 2.22 | 1.26 | 2.34 | 1.45 | 2.50 | 1.63 | 2.67 | 1.78 | 2.76 | 2.04 |
| 25.0 | 1.96 | 1.10 | 2.22 | 1.26 | 2.34 | 1.45 | 2.50 | 1.63 | 2.67 | 1.78 | 2.76 | 2.04 |
| 30.0 | 1.96 | 1.10 | 2.22 | 1.26 | 2.34 | 1.45 | 2.50 | 1.63 | 2.67 | 1.78 | 2.76 | 2.04 |
| 35.0 | 1.96 | 1.10 | 2.22 | 1.26 | 2.34 | 1.45 | 2.50 | 1.63 | 2.67 | 1.78 | 2.76 | 2.04 |
| 40.0 | 1.45 | 0.60 | 1.64 | 0.69 | 1.73 | 0.79 | 1.85 | 0.89 | 1.98 | 0.97 | 2.04 | 1.12 |
| 46.0 | 0.94 | 0.25 | 1.06 | 0.29 | 1.12 | 0.33 | 1.20 | 0.37 | 1.28 | 0.41 | 1.32 | 0.47 |

Model: ASYG09KMCF

| Outdoor temperature | Indoor temperature (°CDB / °CWB) | | | | | | | | | | | |
|---------------------|----------------------------------|------|-------------|------|-------------|------|-------------|------|-------------|------|-------------|------|
| | 18.0 / 12.0 | | 21.0 / 15.0 | | 23.0 / 16.0 | | 27.0 / 19.0 | | 29.0 / 21.0 | | 32.0 / 23.0 | |
| (°CDB) | TC | SHC | TC | SHC | TC | SHC | TC | SHC | TC | SHC | TC | SHC |
| -10.0 | 2.51 | 1.41 | 2.84 | 1.61 | 2.99 | 1.85 | 3.20 | 2.08 | 3.42 | 2.27 | 3.53 | 2.61 |
| -5.0 | 2.51 | 1.41 | 2.84 | 1.61 | 2.99 | 1.85 | 3.20 | 2.08 | 3.42 | 2.27 | 3.53 | 2.61 |
| 0.0 | 2.51 | 1.41 | 2.84 | 1.61 | 2.99 | 1.85 | 3.20 | 2.08 | 3.42 | 2.27 | 3.53 | 2.61 |
| 5.0 | 2.51 | 1.41 | 2.84 | 1.61 | 2.99 | 1.85 | 3.20 | 2.08 | 3.42 | 2.27 | 3.53 | 2.61 |
| 10.0 | 2.51 | 1.41 | 2.84 | 1.61 | 2.99 | 1.85 | 3.20 | 2.08 | 3.42 | 2.27 | 3.53 | 2.61 |
| 15.0 | 2.51 | 1.41 | 2.84 | 1.61 | 2.99 | 1.85 | 3.20 | 2.08 | 3.42 | 2.27 | 3.53 | 2.61 |
| 20.0 | 2.51 | 1.41 | 2.84 | 1.61 | 2.99 | 1.85 | 3.20 | 2.08 | 3.42 | 2.27 | 3.53 | 2.61 |
| 25.0 | 2.51 | 1.41 | 2.84 | 1.61 | 2.99 | 1.85 | 3.20 | 2.08 | 3.42 | 2.27 | 3.53 | 2.61 |
| 30.0 | 2.51 | 1.41 | 2.84 | 1.61 | 2.99 | 1.85 | 3.20 | 2.08 | 3.42 | 2.27 | 3.53 | 2.61 |
| 35.0 | 2.51 | 1.41 | 2.84 | 1.61 | 2.99 | 1.85 | 3.20 | 2.08 | 3.42 | 2.27 | 3.53 | 2.61 |
| 40.0 | 1.86 | 0.77 | 2.10 | 0.88 | 2.21 | 1.01 | 2.37 | 1.14 | 2.53 | 1.25 | 2.61 | 1.43 |
| 46.0 | 1.20 | 0.32 | 1.36 | 0.37 | 1.43 | 0.43 | 1.54 | 0.48 | 1.64 | 0.52 | 1.69 | 0.60 |

Model: ASYG12KMCF

| Outdoor temperature | Indoor temperature (°CDB / °CWB) | | | | | | | | | | | |
|---------------------|----------------------------------|------|-------------|------|-------------|------|-------------|------|-------------|------|-------------|------|
| | 18.0 / 12.0 | | 21.0 / 15.0 | | 23.0 / 16.0 | | 27.0 / 19.0 | | 29.0 / 21.0 | | 32.0 / 23.0 | |
| (°CDB) | TC | SHC | TC | SHC | TC | SHC | TC | SHC | TC | SHC | TC | SHC |
| -10.0 | 3.37 | 1.90 | 3.81 | 2.16 | 4.02 | 2.49 | 4.30 | 2.80 | 4.60 | 3.06 | 4.74 | 3.50 |
| -5.0 | 3.37 | 1.90 | 3.81 | 2.16 | 4.02 | 2.49 | 4.30 | 2.80 | 4.60 | 3.06 | 4.74 | 3.50 |
| 0.0 | 3.37 | 1.90 | 3.81 | 2.16 | 4.02 | 2.49 | 4.30 | 2.80 | 4.60 | 3.06 | 4.74 | 3.50 |
| 5.0 | 3.37 | 1.90 | 3.81 | 2.16 | 4.02 | 2.49 | 4.30 | 2.80 | 4.60 | 3.06 | 4.74 | 3.50 |
| 10.0 | 3.37 | 1.90 | 3.81 | 2.16 | 4.02 | 2.49 | 4.30 | 2.80 | 4.60 | 3.06 | 4.74 | 3.50 |
| 15.0 | 3.37 | 1.90 | 3.81 | 2.16 | 4.02 | 2.49 | 4.30 | 2.80 | 4.60 | 3.06 | 4.74 | 3.50 |
| 20.0 | 3.37 | 1.90 | 3.81 | 2.16 | 4.02 | 2.49 | 4.30 | 2.80 | 4.60 | 3.06 | 4.74 | 3.50 |
| 25.0 | 3.37 | 1.90 | 3.81 | 2.16 | 4.02 | 2.49 | 4.30 | 2.80 | 4.60 | 3.06 | 4.74 | 3.50 |
| 30.0 | 3.37 | 1.90 | 3.81 | 2.16 | 4.02 | 2.49 | 4.30 | 2.80 | 4.60 | 3.06 | 4.74 | 3.50 |
| 35.0 | 3.37 | 1.90 | 3.81 | 2.16 | 4.02 | 2.49 | 4.30 | 2.80 | 4.60 | 3.06 | 4.74 | 3.50 |
| 40.0 | 2.49 | 1.04 | 2.82 | 1.18 | 2.97 | 1.36 | 3.18 | 1.53 | 3.40 | 1.67 | 3.51 | 1.92 |
| 46.0 | 1.62 | 0.44 | 1.83 | 0.50 | 1.93 | 0.57 | 2.06 | 0.64 | 2.21 | 0.70 | 2.27 | 0.81 |

Model: ASYG14KMCF

| Outdoor temperature | Indoor temperature (°CDB / °CWB) | | | | | | | | | | | |
|---------------------|----------------------------------|------|-------------|------|-------------|------|-------------|------|-------------|------|-------------|------|
| | 18.0 / 12.0 | | 21.0 / 15.0 | | 23.0 / 16.0 | | 27.0 / 19.0 | | 29.0 / 21.0 | | 32.0 / 23.0 | |
| (°CDB) | TC | SHC | TC | SHC | TC | SHC | TC | SHC | TC | SHC | TC | SHC |
| -10.0 | 3.92 | 2.20 | 4.43 | 2.51 | 4.67 | 2.89 | 5.00 | 3.25 | 5.35 | 3.55 | 5.51 | 4.07 |
| -5.0 | 3.92 | 2.20 | 4.43 | 2.51 | 4.67 | 2.89 | 5.00 | 3.25 | 5.35 | 3.55 | 5.51 | 4.07 |
| 0.0 | 3.92 | 2.20 | 4.43 | 2.51 | 4.67 | 2.89 | 5.00 | 3.25 | 5.35 | 3.55 | 5.51 | 4.07 |
| 5.0 | 3.92 | 2.20 | 4.43 | 2.51 | 4.67 | 2.89 | 5.00 | 3.25 | 5.35 | 3.55 | 5.51 | 4.07 |
| 10.0 | 3.92 | 2.20 | 4.43 | 2.51 | 4.67 | 2.89 | 5.00 | 3.25 | 5.35 | 3.55 | 5.51 | 4.07 |
| 15.0 | 3.92 | 2.20 | 4.43 | 2.51 | 4.67 | 2.89 | 5.00 | 3.25 | 5.35 | 3.55 | 5.51 | 4.07 |
| 20.0 | 3.92 | 2.20 | 4.43 | 2.51 | 4.67 | 2.89 | 5.00 | 3.25 | 5.35 | 3.55 | 5.51 | 4.07 |
| 25.0 | 3.92 | 2.20 | 4.43 | 2.51 | 4.67 | 2.89 | 5.00 | 3.25 | 5.35 | 3.55 | 5.51 | 4.07 |
| 30.0 | 3.92 | 2.20 | 4.43 | 2.51 | 4.67 | 2.89 | 5.00 | 3.25 | 5.35 | 3.55 | 5.51 | 4.07 |
| 35.0 | 3.92 | 2.20 | 4.43 | 2.51 | 4.67 | 2.89 | 5.00 | 3.25 | 5.35 | 3.55 | 5.51 | 4.07 |
| 40.0 | 2.90 | 1.21 | 3.28 | 1.38 | 3.46 | 1.58 | 3.70 | 1.78 | 3.96 | 1.95 | 4.08 | 2.23 |
| 46.0 | 1.88 | 0.51 | 2.13 | 0.58 | 2.24 | 0.67 | 2.40 | 0.75 | 2.57 | 0.82 | 2.64 | 0.94 |

Model: ASYG07KETA, ASYG07KETA-B

| Outdoor temperature | Indoor temperature (°CDB / °CWB) | | | | | | | | | | | |
|---------------------|----------------------------------|------|-------------|------|-------------|------|-------------|------|-------------|------|-------------|------|
| | 18.0 / 12.0 | | 21.0 / 15.0 | | 23.0 / 16.0 | | 27.0 / 19.0 | | 29.0 / 21.0 | | 32.0 / 23.0 | |
| (°CDB) | TC | SHC | TC | SHC | TC | SHC | TC | SHC | TC | SHC | TC | SHC |
| -10.0 | 1.96 | 1.10 | 2.22 | 1.26 | 2.34 | 1.45 | 2.50 | 1.63 | 2.67 | 1.78 | 2.76 | 2.04 |
| -5.0 | 1.96 | 1.10 | 2.22 | 1.26 | 2.34 | 1.45 | 2.50 | 1.63 | 2.67 | 1.78 | 2.76 | 2.04 |
| 0.0 | 1.96 | 1.10 | 2.22 | 1.26 | 2.34 | 1.45 | 2.50 | 1.63 | 2.67 | 1.78 | 2.76 | 2.04 |
| 5.0 | 1.96 | 1.10 | 2.22 | 1.26 | 2.34 | 1.45 | 2.50 | 1.63 | 2.67 | 1.78 | 2.76 | 2.04 |
| 10.0 | 1.96 | 1.10 | 2.22 | 1.26 | 2.34 | 1.45 | 2.50 | 1.63 | 2.67 | 1.78 | 2.76 | 2.04 |
| 15.0 | 1.96 | 1.10 | 2.22 | 1.26 | 2.34 | 1.45 | 2.50 | 1.63 | 2.67 | 1.78 | 2.76 | 2.04 |
| 20.0 | 1.96 | 1.10 | 2.22 | 1.26 | 2.34 | 1.45 | 2.50 | 1.63 | 2.67 | 1.78 | 2.76 | 2.04 |
| 25.0 | 1.96 | 1.10 | 2.22 | 1.26 | 2.34 | 1.45 | 2.50 | 1.63 | 2.67 | 1.78 | 2.76 | 2.04 |
| 30.0 | 1.96 | 1.10 | 2.22 | 1.26 | 2.34 | 1.45 | 2.50 | 1.63 | 2.67 | 1.78 | 2.76 | 2.04 |
| 35.0 | 1.96 | 1.10 | 2.22 | 1.26 | 2.34 | 1.45 | 2.50 | 1.63 | 2.67 | 1.78 | 2.76 | 2.04 |
| 40.0 | 1.45 | 0.60 | 1.64 | 0.69 | 1.73 | 0.79 | 1.85 | 0.89 | 1.98 | 0.97 | 2.04 | 1.12 |
| 46.0 | 0.94 | 0.25 | 1.06 | 0.29 | 1.12 | 0.33 | 1.20 | 0.37 | 1.28 | 0.41 | 1.32 | 0.47 |

Model: ASYG09KETA, ASYG09KETA-B

| Outdoor temperature | Indoor temperature (°CDB / °CWB) | | | | | | | | | | | |
|---------------------|----------------------------------|------|-------------|------|-------------|------|-------------|------|-------------|------|-------------|------|
| | 18.0 / 12.0 | | 21.0 / 15.0 | | 23.0 / 16.0 | | 27.0 / 19.0 | | 29.0 / 21.0 | | 32.0 / 23.0 | |
| (°CDB) | TC | SHC | TC | SHC | TC | SHC | TC | SHC | TC | SHC | TC | SHC |
| -10.0 | 2.51 | 1.41 | 2.84 | 1.61 | 2.99 | 1.85 | 3.20 | 2.08 | 3.42 | 2.27 | 3.53 | 2.61 |
| -5.0 | 2.51 | 1.41 | 2.84 | 1.61 | 2.99 | 1.85 | 3.20 | 2.08 | 3.42 | 2.27 | 3.53 | 2.61 |
| 0.0 | 2.51 | 1.41 | 2.84 | 1.61 | 2.99 | 1.85 | 3.20 | 2.08 | 3.42 | 2.27 | 3.53 | 2.61 |
| 5.0 | 2.51 | 1.41 | 2.84 | 1.61 | 2.99 | 1.85 | 3.20 | 2.08 | 3.42 | 2.27 | 3.53 | 2.61 |
| 10.0 | 2.51 | 1.41 | 2.84 | 1.61 | 2.99 | 1.85 | 3.20 | 2.08 | 3.42 | 2.27 | 3.53 | 2.61 |
| 15.0 | 2.51 | 1.41 | 2.84 | 1.61 | 2.99 | 1.85 | 3.20 | 2.08 | 3.42 | 2.27 | 3.53 | 2.61 |
| 20.0 | 2.51 | 1.41 | 2.84 | 1.61 | 2.99 | 1.85 | 3.20 | 2.08 | 3.42 | 2.27 | 3.53 | 2.61 |
| 25.0 | 2.51 | 1.41 | 2.84 | 1.61 | 2.99 | 1.85 | 3.20 | 2.08 | 3.42 | 2.27 | 3.53 | 2.61 |
| 30.0 | 2.51 | 1.41 | 2.84 | 1.61 | 2.99 | 1.85 | 3.20 | 2.08 | 3.42 | 2.27 | 3.53 | 2.61 |
| 35.0 | 2.51 | 1.41 | 2.84 | 1.61 | 2.99 | 1.85 | 3.20 | 2.08 | 3.42 | 2.27 | 3.53 | 2.61 |
| 40.0 | 1.86 | 0.77 | 2.10 | 0.88 | 2.21 | 1.01 | 2.37 | 1.14 | 2.53 | 1.25 | 2.61 | 1.43 |
| 46.0 | 1.20 | 0.32 | 1.36 | 0.37 | 1.43 | 0.43 | 1.54 | 0.48 | 1.64 | 0.52 | 1.69 | 0.60 |

Model: ASYG12KETA, ASYG12KETA-B

| Outdoor temperature | Indoor temperature (°CDB / °CWB) | | | | | | | | | | | |
|---------------------|----------------------------------|------|-------------|------|-------------|------|-------------|------|-------------|------|-------------|------|
| | 18.0 / 12.0 | | 21.0 / 15.0 | | 23.0 / 16.0 | | 27.0 / 19.0 | | 29.0 / 21.0 | | 32.0 / 23.0 | |
| (°CDB) | TC | SHC | TC | SHC | TC | SHC | TC | SHC | TC | SHC | TC | SHC |
| -10.0 | 3.37 | 1.90 | 3.81 | 2.16 | 4.02 | 2.49 | 4.30 | 2.80 | 4.60 | 3.06 | 4.74 | 3.50 |
| -5.0 | 3.37 | 1.90 | 3.81 | 2.16 | 4.02 | 2.49 | 4.30 | 2.80 | 4.60 | 3.06 | 4.74 | 3.50 |
| 0.0 | 3.37 | 1.90 | 3.81 | 2.16 | 4.02 | 2.49 | 4.30 | 2.80 | 4.60 | 3.06 | 4.74 | 3.50 |
| 5.0 | 3.37 | 1.90 | 3.81 | 2.16 | 4.02 | 2.49 | 4.30 | 2.80 | 4.60 | 3.06 | 4.74 | 3.50 |
| 10.0 | 3.37 | 1.90 | 3.81 | 2.16 | 4.02 | 2.49 | 4.30 | 2.80 | 4.60 | 3.06 | 4.74 | 3.50 |
| 15.0 | 3.37 | 1.90 | 3.81 | 2.16 | 4.02 | 2.49 | 4.30 | 2.80 | 4.60 | 3.06 | 4.74 | 3.50 |
| 20.0 | 3.37 | 1.90 | 3.81 | 2.16 | 4.02 | 2.49 | 4.30 | 2.80 | 4.60 | 3.06 | 4.74 | 3.50 |
| 25.0 | 3.37 | 1.90 | 3.81 | 2.16 | 4.02 | 2.49 | 4.30 | 2.80 | 4.60 | 3.06 | 4.74 | 3.50 |
| 30.0 | 3.37 | 1.90 | 3.81 | 2.16 | 4.02 | 2.49 | 4.30 | 2.80 | 4.60 | 3.06 | 4.74 | 3.50 |
| 35.0 | 3.37 | 1.90 | 3.81 | 2.16 | 4.02 | 2.49 | 4.30 | 2.80 | 4.60 | 3.06 | 4.74 | 3.50 |
| 40.0 | 2.49 | 1.04 | 2.82 | 1.18 | 2.97 | 1.36 | 3.18 | 1.53 | 3.40 | 1.67 | 3.51 | 1.92 |
| 46.0 | 1.62 | 0.44 | 1.83 | 0.50 | 1.93 | 0.57 | 2.06 | 0.64 | 2.21 | 0.70 | 2.27 | 0.81 |

Model: ASYG14KETA, ASYG14KETA-B

| Outdoor temperature | Indoor temperature (°CDB / °CWB) | | | | | | | | | | | |
|---------------------|----------------------------------|------|-------------|------|-------------|------|-------------|------|-------------|------|-------------|------|
| | 18.0 / 12.0 | | 21.0 / 15.0 | | 23.0 / 16.0 | | 27.0 / 19.0 | | 29.0 / 21.0 | | 32.0 / 23.0 | |
| (°CDB) | TC | SHC | TC | SHC | TC | SHC | TC | SHC | TC | SHC | TC | SHC |
| -10.0 | 3.92 | 2.20 | 4.43 | 2.51 | 4.67 | 2.89 | 5.00 | 3.25 | 5.35 | 3.55 | 5.51 | 4.07 |
| -5.0 | 3.92 | 2.20 | 4.43 | 2.51 | 4.67 | 2.89 | 5.00 | 3.25 | 5.35 | 3.55 | 5.51 | 4.07 |
| 0.0 | 3.92 | 2.20 | 4.43 | 2.51 | 4.67 | 2.89 | 5.00 | 3.25 | 5.35 | 3.55 | 5.51 | 4.07 |
| 5.0 | 3.92 | 2.20 | 4.43 | 2.51 | 4.67 | 2.89 | 5.00 | 3.25 | 5.35 | 3.55 | 5.51 | 4.07 |
| 10.0 | 3.92 | 2.20 | 4.43 | 2.51 | 4.67 | 2.89 | 5.00 | 3.25 | 5.35 | 3.55 | 5.51 | 4.07 |
| 15.0 | 3.92 | 2.20 | 4.43 | 2.51 | 4.67 | 2.89 | 5.00 | 3.25 | 5.35 | 3.55 | 5.51 | 4.07 |
| 20.0 | 3.92 | 2.20 | 4.43 | 2.51 | 4.67 | 2.89 | 5.00 | 3.25 | 5.35 | 3.55 | 5.51 | 4.07 |
| 25.0 | 3.92 | 2.20 | 4.43 | 2.51 | 4.67 | 2.89 | 5.00 | 3.25 | 5.35 | 3.55 | 5.51 | 4.07 |
| 30.0 | 3.92 | 2.20 | 4.43 | 2.51 | 4.67 | 2.89 | 5.00 | 3.25 | 5.35 | 3.55 | 5.51 | 4.07 |
| 35.0 | 3.92 | 2.20 | 4.43 | 2.51 | 4.67 | 2.89 | 5.00 | 3.25 | 5.35 | 3.55 | 5.51 | 4.07 |
| 40.0 | 2.90 | 1.21 | 3.28 | 1.38 | 3.46 | 1.58 | 3.70 | 1.78 | 3.96 | 1.95 | 4.08 | 2.23 |
| 46.0 | 1.88 | 0.51 | 2.13 | 0.58 | 2.24 | 0.67 | 2.40 | 0.75 | 2.57 | 0.82 | 2.64 | 0.94 |

Model: ASYG07KETE, ASYG07KETE-B

| Outdoor temperature | Indoor temperature (°CDB / °CWB) | | | | | | | | | | | |
|---------------------|----------------------------------|------|-------------|------|-------------|------|-------------|------|-------------|------|-------------|------|
| | 18.0 / 12.0 | | 21.0 / 15.0 | | 23.0 / 16.0 | | 27.0 / 19.0 | | 29.0 / 21.0 | | 32.0 / 23.0 | |
| (°CDB) | TC | SHC | TC | SHC | TC | SHC | TC | SHC | TC | SHC | TC | SHC |
| -10.0 | 1.96 | 1.10 | 2.22 | 1.26 | 2.34 | 1.45 | 2.50 | 1.63 | 2.67 | 1.78 | 2.76 | 2.04 |
| -5.0 | 1.96 | 1.10 | 2.22 | 1.26 | 2.34 | 1.45 | 2.50 | 1.63 | 2.67 | 1.78 | 2.76 | 2.04 |
| 0.0 | 1.96 | 1.10 | 2.22 | 1.26 | 2.34 | 1.45 | 2.50 | 1.63 | 2.67 | 1.78 | 2.76 | 2.04 |
| 5.0 | 1.96 | 1.10 | 2.22 | 1.26 | 2.34 | 1.45 | 2.50 | 1.63 | 2.67 | 1.78 | 2.76 | 2.04 |
| 10.0 | 1.96 | 1.10 | 2.22 | 1.26 | 2.34 | 1.45 | 2.50 | 1.63 | 2.67 | 1.78 | 2.76 | 2.04 |
| 15.0 | 1.96 | 1.10 | 2.22 | 1.26 | 2.34 | 1.45 | 2.50 | 1.63 | 2.67 | 1.78 | 2.76 | 2.04 |
| 20.0 | 1.96 | 1.10 | 2.22 | 1.26 | 2.34 | 1.45 | 2.50 | 1.63 | 2.67 | 1.78 | 2.76 | 2.04 |
| 25.0 | 1.96 | 1.10 | 2.22 | 1.26 | 2.34 | 1.45 | 2.50 | 1.63 | 2.67 | 1.78 | 2.76 | 2.04 |
| 30.0 | 1.96 | 1.10 | 2.22 | 1.26 | 2.34 | 1.45 | 2.50 | 1.63 | 2.67 | 1.78 | 2.76 | 2.04 |
| 35.0 | 1.96 | 1.10 | 2.22 | 1.26 | 2.34 | 1.45 | 2.50 | 1.63 | 2.67 | 1.78 | 2.76 | 2.04 |
| 40.0 | 1.45 | 0.60 | 1.64 | 0.69 | 1.73 | 0.79 | 1.85 | 0.89 | 1.98 | 0.97 | 2.04 | 1.12 |
| 46.0 | 0.94 | 0.25 | 1.06 | 0.29 | 1.12 | 0.33 | 1.20 | 0.37 | 1.28 | 0.41 | 1.32 | 0.47 |

Model: ASYG09KETE, ASYG09KETE-B

| Outdoor temperature | Indoor temperature (°CDB / °CWB) | | | | | | | | | | | |
|---------------------|----------------------------------|------|-------------|------|-------------|------|-------------|------|-------------|------|-------------|------|
| | 18.0 / 12.0 | | 21.0 / 15.0 | | 23.0 / 16.0 | | 27.0 / 19.0 | | 29.0 / 21.0 | | 32.0 / 23.0 | |
| (°CDB) | TC | SHC | TC | SHC | TC | SHC | TC | SHC | TC | SHC | TC | SHC |
| -10.0 | 2.51 | 1.41 | 2.84 | 1.61 | 2.99 | 1.85 | 3.20 | 2.08 | 3.42 | 2.27 | 3.53 | 2.61 |
| -5.0 | 2.51 | 1.41 | 2.84 | 1.61 | 2.99 | 1.85 | 3.20 | 2.08 | 3.42 | 2.27 | 3.53 | 2.61 |
| 0.0 | 2.51 | 1.41 | 2.84 | 1.61 | 2.99 | 1.85 | 3.20 | 2.08 | 3.42 | 2.27 | 3.53 | 2.61 |
| 5.0 | 2.51 | 1.41 | 2.84 | 1.61 | 2.99 | 1.85 | 3.20 | 2.08 | 3.42 | 2.27 | 3.53 | 2.61 |
| 10.0 | 2.51 | 1.41 | 2.84 | 1.61 | 2.99 | 1.85 | 3.20 | 2.08 | 3.42 | 2.27 | 3.53 | 2.61 |
| 15.0 | 2.51 | 1.41 | 2.84 | 1.61 | 2.99 | 1.85 | 3.20 | 2.08 | 3.42 | 2.27 | 3.53 | 2.61 |
| 20.0 | 2.51 | 1.41 | 2.84 | 1.61 | 2.99 | 1.85 | 3.20 | 2.08 | 3.42 | 2.27 | 3.53 | 2.61 |
| 25.0 | 2.51 | 1.41 | 2.84 | 1.61 | 2.99 | 1.85 | 3.20 | 2.08 | 3.42 | 2.27 | 3.53 | 2.61 |
| 30.0 | 2.51 | 1.41 | 2.84 | 1.61 | 2.99 | 1.85 | 3.20 | 2.08 | 3.42 | 2.27 | 3.53 | 2.61 |
| 35.0 | 2.51 | 1.41 | 2.84 | 1.61 | 2.99 | 1.85 | 3.20 | 2.08 | 3.42 | 2.27 | 3.53 | 2.61 |
| 40.0 | 1.86 | 0.77 | 2.10 | 0.88 | 2.21 | 1.01 | 2.37 | 1.14 | 2.53 | 1.25 | 2.61 | 1.43 |
| 46.0 | 1.20 | 0.32 | 1.36 | 0.37 | 1.43 | 0.43 | 1.54 | 0.48 | 1.64 | 0.52 | 1.69 | 0.60 |

Model: ASYG12KETE, ASYG12KETE-B

| Outdoor temperature | Indoor temperature (°CDB / °CWB) | | | | | | | | | | | |
|---------------------|----------------------------------|------|-------------|------|-------------|------|-------------|------|-------------|------|-------------|------|
| | 18.0 / 12.0 | | 21.0 / 15.0 | | 23.0 / 16.0 | | 27.0 / 19.0 | | 29.0 / 21.0 | | 32.0 / 23.0 | |
| (°CDB) | TC | SHC | TC | SHC | TC | SHC | TC | SHC | TC | SHC | TC | SHC |
| -10.0 | 3.37 | 1.90 | 3.81 | 2.16 | 4.02 | 2.49 | 4.30 | 2.80 | 4.60 | 3.06 | 4.74 | 3.50 |
| -5.0 | 3.37 | 1.90 | 3.81 | 2.16 | 4.02 | 2.49 | 4.30 | 2.80 | 4.60 | 3.06 | 4.74 | 3.50 |
| 0.0 | 3.37 | 1.90 | 3.81 | 2.16 | 4.02 | 2.49 | 4.30 | 2.80 | 4.60 | 3.06 | 4.74 | 3.50 |
| 5.0 | 3.37 | 1.90 | 3.81 | 2.16 | 4.02 | 2.49 | 4.30 | 2.80 | 4.60 | 3.06 | 4.74 | 3.50 |
| 10.0 | 3.37 | 1.90 | 3.81 | 2.16 | 4.02 | 2.49 | 4.30 | 2.80 | 4.60 | 3.06 | 4.74 | 3.50 |
| 15.0 | 3.37 | 1.90 | 3.81 | 2.16 | 4.02 | 2.49 | 4.30 | 2.80 | 4.60 | 3.06 | 4.74 | 3.50 |
| 20.0 | 3.37 | 1.90 | 3.81 | 2.16 | 4.02 | 2.49 | 4.30 | 2.80 | 4.60 | 3.06 | 4.74 | 3.50 |
| 25.0 | 3.37 | 1.90 | 3.81 | 2.16 | 4.02 | 2.49 | 4.30 | 2.80 | 4.60 | 3.06 | 4.74 | 3.50 |
| 30.0 | 3.37 | 1.90 | 3.81 | 2.16 | 4.02 | 2.49 | 4.30 | 2.80 | 4.60 | 3.06 | 4.74 | 3.50 |
| 35.0 | 3.37 | 1.90 | 3.81 | 2.16 | 4.02 | 2.49 | 4.30 | 2.80 | 4.60 | 3.06 | 4.74 | 3.50 |
| 40.0 | 2.49 | 1.04 | 2.82 | 1.18 | 2.97 | 1.36 | 3.18 | 1.53 | 3.40 | 1.67 | 3.51 | 1.92 |
| 46.0 | 1.62 | 0.44 | 1.83 | 0.50 | 1.93 | 0.57 | 2.06 | 0.64 | 2.21 | 0.70 | 2.27 | 0.81 |

Model: ASYG14KETE, ASYG14KETE-B

| Outdoor temperature | Indoor temperature (°CDB / °CWB) | | | | | | | | | | | |
|---------------------|----------------------------------|------|-------------|------|-------------|------|-------------|------|-------------|------|-------------|------|
| | 18.0 / 12.0 | | 21.0 / 15.0 | | 23.0 / 16.0 | | 27.0 / 19.0 | | 29.0 / 21.0 | | 32.0 / 23.0 | |
| (°CDB) | TC | SHC | TC | SHC | TC | SHC | TC | SHC | TC | SHC | TC | SHC |
| -10.0 | 3.92 | 2.20 | 4.43 | 2.51 | 4.67 | 2.89 | 5.00 | 3.25 | 5.35 | 3.55 | 5.51 | 4.07 |
| -5.0 | 3.92 | 2.20 | 4.43 | 2.51 | 4.67 | 2.89 | 5.00 | 3.25 | 5.35 | 3.55 | 5.51 | 4.07 |
| 0.0 | 3.92 | 2.20 | 4.43 | 2.51 | 4.67 | 2.89 | 5.00 | 3.25 | 5.35 | 3.55 | 5.51 | 4.07 |
| 5.0 | 3.92 | 2.20 | 4.43 | 2.51 | 4.67 | 2.89 | 5.00 | 3.25 | 5.35 | 3.55 | 5.51 | 4.07 |
| 10.0 | 3.92 | 2.20 | 4.43 | 2.51 | 4.67 | 2.89 | 5.00 | 3.25 | 5.35 | 3.55 | 5.51 | 4.07 |
| 15.0 | 3.92 | 2.20 | 4.43 | 2.51 | 4.67 | 2.89 | 5.00 | 3.25 | 5.35 | 3.55 | 5.51 | 4.07 |
| 20.0 | 3.92 | 2.20 | 4.43 | 2.51 | 4.67 | 2.89 | 5.00 | 3.25 | 5.35 | 3.55 | 5.51 | 4.07 |
| 25.0 | 3.92 | 2.20 | 4.43 | 2.51 | 4.67 | 2.89 | 5.00 | 3.25 | 5.35 | 3.55 | 5.51 | 4.07 |
| 30.0 | 3.92 | 2.20 | 4.43 | 2.51 | 4.67 | 2.89 | 5.00 | 3.25 | 5.35 | 3.55 | 5.51 | 4.07 |
| 35.0 | 3.92 | 2.20 | 4.43 | 2.51 | 4.67 | 2.89 | 5.00 | 3.25 | 5.35 | 3.55 | 5.51 | 4.07 |
| 40.0 | 2.90 | 1.21 | 3.28 | 1.38 | 3.46 | 1.58 | 3.70 | 1.78 | 3.96 | 1.95 | 4.08 | 2.23 |
| 46.0 | 1.88 | 0.51 | 2.13 | 0.58 | 2.24 | 0.67 | 2.40 | 0.75 | 2.57 | 0.82 | 2.64 | 0.94 |

Model: ASYG07KETF, ASYG07KETF-B

| Outdoor temperature | Indoor temperature (°CDB / °CWB) | | | | | | | | | | | |
|---------------------|----------------------------------|------|-------------|------|-------------|------|-------------|------|-------------|------|-------------|------|
| | 18.0 / 12.0 | | 21.0 / 15.0 | | 23.0 / 16.0 | | 27.0 / 19.0 | | 29.0 / 21.0 | | 32.0 / 23.0 | |
| (°CDB) | TC | SHC | TC | SHC | TC | SHC | TC | SHC | TC | SHC | TC | SHC |
| -10.0 | 1.96 | 1.10 | 2.22 | 1.26 | 2.34 | 1.45 | 2.50 | 1.63 | 2.67 | 1.78 | 2.76 | 2.04 |
| -5.0 | 1.96 | 1.10 | 2.22 | 1.26 | 2.34 | 1.45 | 2.50 | 1.63 | 2.67 | 1.78 | 2.76 | 2.04 |
| 0.0 | 1.96 | 1.10 | 2.22 | 1.26 | 2.34 | 1.45 | 2.50 | 1.63 | 2.67 | 1.78 | 2.76 | 2.04 |
| 5.0 | 1.96 | 1.10 | 2.22 | 1.26 | 2.34 | 1.45 | 2.50 | 1.63 | 2.67 | 1.78 | 2.76 | 2.04 |
| 10.0 | 1.96 | 1.10 | 2.22 | 1.26 | 2.34 | 1.45 | 2.50 | 1.63 | 2.67 | 1.78 | 2.76 | 2.04 |
| 15.0 | 1.96 | 1.10 | 2.22 | 1.26 | 2.34 | 1.45 | 2.50 | 1.63 | 2.67 | 1.78 | 2.76 | 2.04 |
| 20.0 | 1.96 | 1.10 | 2.22 | 1.26 | 2.34 | 1.45 | 2.50 | 1.63 | 2.67 | 1.78 | 2.76 | 2.04 |
| 25.0 | 1.96 | 1.10 | 2.22 | 1.26 | 2.34 | 1.45 | 2.50 | 1.63 | 2.67 | 1.78 | 2.76 | 2.04 |
| 30.0 | 1.96 | 1.10 | 2.22 | 1.26 | 2.34 | 1.45 | 2.50 | 1.63 | 2.67 | 1.78 | 2.76 | 2.04 |
| 35.0 | 1.96 | 1.10 | 2.22 | 1.26 | 2.34 | 1.45 | 2.50 | 1.63 | 2.67 | 1.78 | 2.76 | 2.04 |
| 40.0 | 1.45 | 0.60 | 1.64 | 0.69 | 1.73 | 0.79 | 1.85 | 0.89 | 1.98 | 0.97 | 2.04 | 1.12 |
| 46.0 | 0.94 | 0.25 | 1.06 | 0.29 | 1.12 | 0.33 | 1.20 | 0.37 | 1.28 | 0.41 | 1.32 | 0.47 |

Model: ASYG09KETF, ASYG09KETF-B

| Outdoor temperature | Indoor temperature (°CDB / °CWB) | | | | | | | | | | | |
|---------------------|----------------------------------|------|-------------|------|-------------|------|-------------|------|-------------|------|-------------|------|
| | 18.0 / 12.0 | | 21.0 / 15.0 | | 23.0 / 16.0 | | 27.0 / 19.0 | | 29.0 / 21.0 | | 32.0 / 23.0 | |
| (°CDB) | TC | SHC | TC | SHC | TC | SHC | TC | SHC | TC | SHC | TC | SHC |
| -10.0 | 2.51 | 1.41 | 2.84 | 1.61 | 2.99 | 1.85 | 3.20 | 2.08 | 3.42 | 2.27 | 3.53 | 2.61 |
| -5.0 | 2.51 | 1.41 | 2.84 | 1.61 | 2.99 | 1.85 | 3.20 | 2.08 | 3.42 | 2.27 | 3.53 | 2.61 |
| 0.0 | 2.51 | 1.41 | 2.84 | 1.61 | 2.99 | 1.85 | 3.20 | 2.08 | 3.42 | 2.27 | 3.53 | 2.61 |
| 5.0 | 2.51 | 1.41 | 2.84 | 1.61 | 2.99 | 1.85 | 3.20 | 2.08 | 3.42 | 2.27 | 3.53 | 2.61 |
| 10.0 | 2.51 | 1.41 | 2.84 | 1.61 | 2.99 | 1.85 | 3.20 | 2.08 | 3.42 | 2.27 | 3.53 | 2.61 |
| 15.0 | 2.51 | 1.41 | 2.84 | 1.61 | 2.99 | 1.85 | 3.20 | 2.08 | 3.42 | 2.27 | 3.53 | 2.61 |
| 20.0 | 2.51 | 1.41 | 2.84 | 1.61 | 2.99 | 1.85 | 3.20 | 2.08 | 3.42 | 2.27 | 3.53 | 2.61 |
| 25.0 | 2.51 | 1.41 | 2.84 | 1.61 | 2.99 | 1.85 | 3.20 | 2.08 | 3.42 | 2.27 | 3.53 | 2.61 |
| 30.0 | 2.51 | 1.41 | 2.84 | 1.61 | 2.99 | 1.85 | 3.20 | 2.08 | 3.42 | 2.27 | 3.53 | 2.61 |
| 35.0 | 2.51 | 1.41 | 2.84 | 1.61 | 2.99 | 1.85 | 3.20 | 2.08 | 3.42 | 2.27 | 3.53 | 2.61 |
| 40.0 | 1.86 | 0.77 | 2.10 | 0.88 | 2.21 | 1.01 | 2.37 | 1.14 | 2.53 | 1.25 | 2.61 | 1.43 |
| 46.0 | 1.20 | 0.32 | 1.36 | 0.37 | 1.43 | 0.43 | 1.54 | 0.48 | 1.64 | 0.52 | 1.69 | 0.60 |

Model: ASYG12KETF, ASYG12KETF-B

| Outdoor temperature | Indoor temperature (°CDB / °CWB) | | | | | | | | | | | |
|---------------------|----------------------------------|------|-------------|------|-------------|------|-------------|------|-------------|------|-------------|------|
| | 18.0 / 12.0 | | 21.0 / 15.0 | | 23.0 / 16.0 | | 27.0 / 19.0 | | 29.0 / 21.0 | | 32.0 / 23.0 | |
| (°CDB) | TC | SHC | TC | SHC | TC | SHC | TC | SHC | TC | SHC | TC | SHC |
| -10.0 | 3.37 | 1.90 | 3.81 | 2.16 | 4.02 | 2.49 | 4.30 | 2.80 | 4.60 | 3.06 | 4.74 | 3.50 |
| -5.0 | 3.37 | 1.90 | 3.81 | 2.16 | 4.02 | 2.49 | 4.30 | 2.80 | 4.60 | 3.06 | 4.74 | 3.50 |
| 0.0 | 3.37 | 1.90 | 3.81 | 2.16 | 4.02 | 2.49 | 4.30 | 2.80 | 4.60 | 3.06 | 4.74 | 3.50 |
| 5.0 | 3.37 | 1.90 | 3.81 | 2.16 | 4.02 | 2.49 | 4.30 | 2.80 | 4.60 | 3.06 | 4.74 | 3.50 |
| 10.0 | 3.37 | 1.90 | 3.81 | 2.16 | 4.02 | 2.49 | 4.30 | 2.80 | 4.60 | 3.06 | 4.74 | 3.50 |
| 15.0 | 3.37 | 1.90 | 3.81 | 2.16 | 4.02 | 2.49 | 4.30 | 2.80 | 4.60 | 3.06 | 4.74 | 3.50 |
| 20.0 | 3.37 | 1.90 | 3.81 | 2.16 | 4.02 | 2.49 | 4.30 | 2.80 | 4.60 | 3.06 | 4.74 | 3.50 |
| 25.0 | 3.37 | 1.90 | 3.81 | 2.16 | 4.02 | 2.49 | 4.30 | 2.80 | 4.60 | 3.06 | 4.74 | 3.50 |
| 30.0 | 3.37 | 1.90 | 3.81 | 2.16 | 4.02 | 2.49 | 4.30 | 2.80 | 4.60 | 3.06 | 4.74 | 3.50 |
| 35.0 | 3.37 | 1.90 | 3.81 | 2.16 | 4.02 | 2.49 | 4.30 | 2.80 | 4.60 | 3.06 | 4.74 | 3.50 |
| 40.0 | 2.49 | 1.04 | 2.82 | 1.18 | 2.97 | 1.36 | 3.18 | 1.53 | 3.40 | 1.67 | 3.51 | 1.92 |
| 46.0 | 1.62 | 0.44 | 1.83 | 0.50 | 1.93 | 0.57 | 2.06 | 0.64 | 2.21 | 0.70 | 2.27 | 0.81 |

Model: ASYG14KETF, ASYG14KETF-B

| Outdoor temperature | Indoor temperature (°CDB / °CWB) | | | | | | | | | | | |
|---------------------|----------------------------------|------|-------------|------|-------------|------|-------------|------|-------------|------|-------------|------|
| | 18.0 / 12.0 | | 21.0 / 15.0 | | 23.0 / 16.0 | | 27.0 / 19.0 | | 29.0 / 21.0 | | 32.0 / 23.0 | |
| (°CDB) | TC | SHC | TC | SHC | TC | SHC | TC | SHC | TC | SHC | TC | SHC |
| -10.0 | 3.92 | 2.20 | 4.43 | 2.51 | 4.67 | 2.89 | 5.00 | 3.25 | 5.35 | 3.55 | 5.51 | 4.07 |
| -5.0 | 3.92 | 2.20 | 4.43 | 2.51 | 4.67 | 2.89 | 5.00 | 3.25 | 5.35 | 3.55 | 5.51 | 4.07 |
| 0.0 | 3.92 | 2.20 | 4.43 | 2.51 | 4.67 | 2.89 | 5.00 | 3.25 | 5.35 | 3.55 | 5.51 | 4.07 |
| 5.0 | 3.92 | 2.20 | 4.43 | 2.51 | 4.67 | 2.89 | 5.00 | 3.25 | 5.35 | 3.55 | 5.51 | 4.07 |
| 10.0 | 3.92 | 2.20 | 4.43 | 2.51 | 4.67 | 2.89 | 5.00 | 3.25 | 5.35 | 3.55 | 5.51 | 4.07 |
| 15.0 | 3.92 | 2.20 | 4.43 | 2.51 | 4.67 | 2.89 | 5.00 | 3.25 | 5.35 | 3.55 | 5.51 | 4.07 |
| 20.0 | 3.92 | 2.20 | 4.43 | 2.51 | 4.67 | 2.89 | 5.00 | 3.25 | 5.35 | 3.55 | 5.51 | 4.07 |
| 25.0 | 3.92 | 2.20 | 4.43 | 2.51 | 4.67 | 2.89 | 5.00 | 3.25 | 5.35 | 3.55 | 5.51 | 4.07 |
| 30.0 | 3.92 | 2.20 | 4.43 | 2.51 | 4.67 | 2.89 | 5.00 | 3.25 | 5.35 | 3.55 | 5.51 | 4.07 |
| 35.0 | 3.92 | 2.20 | 4.43 | 2.51 | 4.67 | 2.89 | 5.00 | 3.25 | 5.35 | 3.55 | 5.51 | 4.07 |
| 40.0 | 2.90 | 1.21 | 3.28 | 1.38 | 3.46 | 1.58 | 3.70 | 1.78 | 3.96 | 1.95 | 4.08 | 2.23 |
| 46.0 | 1.88 | 0.51 | 2.13 | 0.58 | 2.24 | 0.67 | 2.40 | 0.75 | 2.57 | 0.82 | 2.64 | 0.94 |

NOTES:

- TC: Total Capacity (kW), SHC: Sensible Heat Capacity (kW)
- Values mentioned in the table are based on the following conditions:
 - Pipe length: 5 m, Height difference: 0 m (Outdoor unit—Indoor unit)

● Ceiling type

Model: ABYG18KRTA

| Outdoor temperature | Indoor temperature (°CDB / °CWB) | | | | | | | | | | | |
|---------------------|----------------------------------|------|-------------|------|-------------|------|-------------|------|-------------|------|-------------|------|
| | 18.0 / 12.0 | | 21.0 / 15.0 | | 23.0 / 16.0 | | 27.0 / 19.0 | | 29.0 / 21.0 | | 32.0 / 23.0 | |
| (°CDB) | TC | SHC | TC | SHC | TC | SHC | TC | SHC | TC | SHC | TC | SHC |
| -10.0 | 4.85 | 3.02 | 5.48 | 3.45 | 5.78 | 3.97 | 6.19 | 4.46 | 6.62 | 4.87 | 6.82 | 5.58 |
| -5.0 | 4.85 | 3.02 | 5.48 | 3.45 | 5.78 | 3.97 | 6.19 | 4.46 | 6.62 | 4.87 | 6.82 | 5.58 |
| 0.0 | 4.85 | 3.02 | 5.48 | 3.45 | 5.78 | 3.97 | 6.19 | 4.46 | 6.62 | 4.87 | 6.82 | 5.58 |
| 5.0 | 4.85 | 3.02 | 5.48 | 3.45 | 5.78 | 3.97 | 6.19 | 4.46 | 6.62 | 4.87 | 6.82 | 5.58 |
| 10.0 | 4.85 | 3.02 | 5.48 | 3.45 | 5.78 | 3.97 | 6.19 | 4.46 | 6.62 | 4.87 | 6.82 | 5.58 |
| 15.0 | 4.85 | 3.02 | 5.48 | 3.45 | 5.78 | 3.97 | 6.19 | 4.46 | 6.62 | 4.87 | 6.82 | 5.58 |
| 20.0 | 4.85 | 3.02 | 5.48 | 3.45 | 5.78 | 3.97 | 6.19 | 4.46 | 6.62 | 4.87 | 6.82 | 5.58 |
| 25.0 | 4.85 | 3.02 | 5.48 | 3.45 | 5.78 | 3.97 | 6.19 | 4.46 | 6.62 | 4.87 | 6.82 | 5.58 |
| 30.0 | 4.85 | 3.02 | 5.48 | 3.45 | 5.78 | 3.97 | 6.19 | 4.46 | 6.62 | 4.87 | 6.82 | 5.58 |
| 35.0 | 4.85 | 3.02 | 5.48 | 3.45 | 5.78 | 3.97 | 6.19 | 4.46 | 6.62 | 4.87 | 6.82 | 5.58 |
| 40.0 | 3.59 | 1.66 | 4.06 | 1.89 | 4.28 | 2.17 | 4.58 | 2.44 | 4.90 | 2.67 | 5.05 | 3.06 |
| 46.0 | 2.33 | 0.70 | 2.63 | 0.79 | 2.78 | 0.91 | 2.97 | 1.03 | 3.18 | 1.12 | 3.27 | 1.29 |

Model: ABYG22KRTA

| Outdoor temperature | Indoor temperature (°CDB / °CWB) | | | | | | | | | | | |
|---------------------|----------------------------------|------|-------------|------|-------------|------|-------------|------|-------------|------|-------------|------|
| | 18.0 / 12.0 | | 21.0 / 15.0 | | 23.0 / 16.0 | | 27.0 / 19.0 | | 29.0 / 21.0 | | 32.0 / 23.0 | |
| (°CDB) | TC | SHC | TC | SHC | TC | SHC | TC | SHC | TC | SHC | TC | SHC |
| -10.0 | 6.12 | 3.80 | 6.91 | 4.33 | 7.29 | 4.99 | 7.80 | 5.60 | 8.34 | 6.13 | 8.60 | 7.02 |
| -5.0 | 6.12 | 3.80 | 6.91 | 4.33 | 7.29 | 4.99 | 7.80 | 5.60 | 8.34 | 6.13 | 8.60 | 7.02 |
| 0.0 | 6.12 | 3.80 | 6.91 | 4.33 | 7.29 | 4.99 | 7.80 | 5.60 | 8.34 | 6.13 | 8.60 | 7.02 |
| 5.0 | 6.12 | 3.80 | 6.91 | 4.33 | 7.29 | 4.99 | 7.80 | 5.60 | 8.34 | 6.13 | 8.60 | 7.02 |
| 10.0 | 6.12 | 3.80 | 6.91 | 4.33 | 7.29 | 4.99 | 7.80 | 5.60 | 8.34 | 6.13 | 8.60 | 7.02 |
| 15.0 | 6.12 | 3.80 | 6.91 | 4.33 | 7.29 | 4.99 | 7.80 | 5.60 | 8.34 | 6.13 | 8.60 | 7.02 |
| 20.0 | 6.12 | 3.80 | 6.91 | 4.33 | 7.29 | 4.99 | 7.80 | 5.60 | 8.34 | 6.13 | 8.60 | 7.02 |
| 25.0 | 6.12 | 3.80 | 6.91 | 4.33 | 7.29 | 4.99 | 7.80 | 5.60 | 8.34 | 6.13 | 8.60 | 7.02 |
| 30.0 | 6.12 | 3.80 | 6.91 | 4.33 | 7.29 | 4.99 | 7.80 | 5.60 | 8.34 | 6.13 | 8.60 | 7.02 |
| 35.0 | 6.12 | 3.80 | 6.91 | 4.33 | 7.29 | 4.99 | 7.80 | 5.60 | 8.34 | 6.13 | 8.60 | 7.02 |
| 40.0 | 4.53 | 2.08 | 5.11 | 2.37 | 5.39 | 2.73 | 5.77 | 3.07 | 6.17 | 3.36 | 6.36 | 3.84 |
| 46.0 | 2.94 | 0.88 | 3.32 | 1.00 | 3.50 | 1.15 | 3.74 | 1.29 | 4.00 | 1.41 | 4.13 | 1.62 |

NOTES:

- TC: Total Capacity (kW), SHC: Sensible Heat Capacity (kW)
- Values mentioned in the table are based on the following conditions:
 - Pipe length: 5 m, Height difference: 0 m (Outdoor unit—Indoor unit)

● Floor type

Model: AGYG09KVCA

| Outdoor temperature | Indoor temperature (°CDB / °CWB) | | | | | | | | | | | |
|---------------------|----------------------------------|------|-------------|------|-------------|------|-------------|------|-------------|------|-------------|------|
| | 18.0 / 12.0 | | 21.0 / 15.0 | | 23.0 / 16.0 | | 27.0 / 19.0 | | 29.0 / 21.0 | | 32.0 / 23.0 | |
| (°CDB) | TC | SHC | TC | SHC | TC | SHC | TC | SHC | TC | SHC | TC | SHC |
| -10.0 | 2.51 | 1.71 | 2.84 | 1.95 | 2.99 | 2.25 | 3.20 | 2.53 | 3.42 | 2.76 | 3.53 | 3.17 |
| -5.0 | 2.51 | 1.71 | 2.84 | 1.95 | 2.99 | 2.25 | 3.20 | 2.53 | 3.42 | 2.76 | 3.53 | 3.17 |
| 0.0 | 2.51 | 1.71 | 2.84 | 1.95 | 2.99 | 2.25 | 3.20 | 2.53 | 3.42 | 2.76 | 3.53 | 3.17 |
| 5.0 | 2.51 | 1.71 | 2.84 | 1.95 | 2.99 | 2.25 | 3.20 | 2.53 | 3.42 | 2.76 | 3.53 | 3.17 |
| 10.0 | 2.51 | 1.71 | 2.84 | 1.95 | 2.99 | 2.25 | 3.20 | 2.53 | 3.42 | 2.76 | 3.53 | 3.17 |
| 15.0 | 2.51 | 1.71 | 2.84 | 1.95 | 2.99 | 2.25 | 3.20 | 2.53 | 3.42 | 2.76 | 3.53 | 3.17 |
| 20.0 | 2.51 | 1.71 | 2.84 | 1.95 | 2.99 | 2.25 | 3.20 | 2.53 | 3.42 | 2.76 | 3.53 | 3.17 |
| 25.0 | 2.51 | 1.71 | 2.84 | 1.95 | 2.99 | 2.25 | 3.20 | 2.53 | 3.42 | 2.76 | 3.53 | 3.17 |
| 30.0 | 2.51 | 1.71 | 2.84 | 1.95 | 2.99 | 2.25 | 3.20 | 2.53 | 3.42 | 2.76 | 3.53 | 3.17 |
| 35.0 | 2.51 | 1.71 | 2.84 | 1.95 | 2.99 | 2.25 | 3.20 | 2.53 | 3.42 | 2.76 | 3.53 | 3.17 |
| 40.0 | 1.86 | 0.94 | 2.10 | 1.07 | 2.21 | 1.23 | 2.37 | 1.38 | 2.53 | 1.51 | 2.61 | 1.73 |
| 46.0 | 1.20 | 0.39 | 1.36 | 0.45 | 1.43 | 0.52 | 1.54 | 0.58 | 1.64 | 0.64 | 1.69 | 0.73 |

Model: AGYG12KVCA

| Outdoor temperature | Indoor temperature (°CDB / °CWB) | | | | | | | | | | | |
|---------------------|----------------------------------|------|-------------|------|-------------|------|-------------|------|-------------|------|-------------|------|
| | 18.0 / 12.0 | | 21.0 / 15.0 | | 23.0 / 16.0 | | 27.0 / 19.0 | | 29.0 / 21.0 | | 32.0 / 23.0 | |
| (°CDB) | TC | SHC | TC | SHC | TC | SHC | TC | SHC | TC | SHC | TC | SHC |
| -10.0 | 3.37 | 2.16 | 3.81 | 2.46 | 4.02 | 2.83 | 4.30 | 3.18 | 4.60 | 3.48 | 4.74 | 3.99 |
| -5.0 | 3.37 | 2.16 | 3.81 | 2.46 | 4.02 | 2.83 | 4.30 | 3.18 | 4.60 | 3.48 | 4.74 | 3.99 |
| 0.0 | 3.37 | 2.16 | 3.81 | 2.46 | 4.02 | 2.83 | 4.30 | 3.18 | 4.60 | 3.48 | 4.74 | 3.99 |
| 5.0 | 3.37 | 2.16 | 3.81 | 2.46 | 4.02 | 2.83 | 4.30 | 3.18 | 4.60 | 3.48 | 4.74 | 3.99 |
| 10.0 | 3.37 | 2.16 | 3.81 | 2.46 | 4.02 | 2.83 | 4.30 | 3.18 | 4.60 | 3.48 | 4.74 | 3.99 |
| 15.0 | 3.37 | 2.16 | 3.81 | 2.46 | 4.02 | 2.83 | 4.30 | 3.18 | 4.60 | 3.48 | 4.74 | 3.99 |
| 20.0 | 3.37 | 2.16 | 3.81 | 2.46 | 4.02 | 2.83 | 4.30 | 3.18 | 4.60 | 3.48 | 4.74 | 3.99 |
| 25.0 | 3.37 | 2.16 | 3.81 | 2.46 | 4.02 | 2.83 | 4.30 | 3.18 | 4.60 | 3.48 | 4.74 | 3.99 |
| 30.0 | 3.37 | 2.16 | 3.81 | 2.46 | 4.02 | 2.83 | 4.30 | 3.18 | 4.60 | 3.48 | 4.74 | 3.99 |
| 35.0 | 3.37 | 2.16 | 3.81 | 2.46 | 4.02 | 2.83 | 4.30 | 3.18 | 4.60 | 3.48 | 4.74 | 3.99 |
| 40.0 | 2.49 | 1.18 | 2.82 | 1.35 | 2.97 | 1.55 | 3.18 | 1.74 | 3.40 | 1.91 | 3.51 | 2.18 |
| 46.0 | 1.62 | 0.50 | 1.83 | 0.57 | 1.93 | 0.65 | 2.06 | 0.73 | 2.21 | 0.80 | 2.27 | 0.92 |

Model: AGYG14KVCA

| Outdoor temperature | Indoor temperature (°CDB / °CWB) | | | | | | | | | | | |
|---------------------|----------------------------------|------|-------------|------|-------------|------|-------------|------|-------------|------|-------------|------|
| | 18.0 / 12.0 | | 21.0 / 15.0 | | 23.0 / 16.0 | | 27.0 / 19.0 | | 29.0 / 21.0 | | 32.0 / 23.0 | |
| (°CDB) | TC | SHC | TC | SHC | TC | SHC | TC | SHC | TC | SHC | TC | SHC |
| -10.0 | 3.92 | 2.44 | 4.43 | 2.78 | 4.67 | 3.20 | 5.00 | 3.60 | 5.35 | 3.94 | 5.51 | 4.51 |
| -5.0 | 3.92 | 2.44 | 4.43 | 2.78 | 4.67 | 3.20 | 5.00 | 3.60 | 5.35 | 3.94 | 5.51 | 4.51 |
| 0.0 | 3.92 | 2.44 | 4.43 | 2.78 | 4.67 | 3.20 | 5.00 | 3.60 | 5.35 | 3.94 | 5.51 | 4.51 |
| 5.0 | 3.92 | 2.44 | 4.43 | 2.78 | 4.67 | 3.20 | 5.00 | 3.60 | 5.35 | 3.94 | 5.51 | 4.51 |
| 10.0 | 3.92 | 2.44 | 4.43 | 2.78 | 4.67 | 3.20 | 5.00 | 3.60 | 5.35 | 3.94 | 5.51 | 4.51 |
| 15.0 | 3.92 | 2.44 | 4.43 | 2.78 | 4.67 | 3.20 | 5.00 | 3.60 | 5.35 | 3.94 | 5.51 | 4.51 |
| 20.0 | 3.92 | 2.44 | 4.43 | 2.78 | 4.67 | 3.20 | 5.00 | 3.60 | 5.35 | 3.94 | 5.51 | 4.51 |
| 25.0 | 3.92 | 2.44 | 4.43 | 2.78 | 4.67 | 3.20 | 5.00 | 3.60 | 5.35 | 3.94 | 5.51 | 4.51 |
| 30.0 | 3.92 | 2.44 | 4.43 | 2.78 | 4.67 | 3.20 | 5.00 | 3.60 | 5.35 | 3.94 | 5.51 | 4.51 |
| 35.0 | 3.92 | 2.44 | 4.43 | 2.78 | 4.67 | 3.20 | 5.00 | 3.60 | 5.35 | 3.94 | 5.51 | 4.51 |
| 40.0 | 2.90 | 1.34 | 3.28 | 1.52 | 3.46 | 1.75 | 3.70 | 1.97 | 3.96 | 2.16 | 4.08 | 2.47 |
| 46.0 | 1.88 | 0.56 | 2.13 | 0.64 | 2.24 | 0.74 | 2.40 | 0.83 | 2.57 | 0.91 | 2.64 | 1.04 |

NOTES:

- TC: Total Capacity (kW), SHC: Sensible Heat Capacity (kW)
- Values mentioned in the table are based on the following conditions:
 - Pipe length: 5 m, Height difference: 0 m (Outdoor unit—Indoor unit)

6-3. Heating capacity

NOTE: Values mentioned in the table are calculated based on the maximum capacity.

Model: AOYG36KBTA5

| Indoor unit connecting capacity | Outdoor temperature | | Indoor temperature | | | | | | | | | |
|---------------------------------|---------------------|-------|--------------------|------|-----------|------|-----------|------|-----------|------|-----------|------|
| | | | 16.0 °CDB | | 18.0 °CDB | | 20.0 °CDB | | 22.0 °CDB | | 24.0 °CDB | |
| kBtu/h | °CDB | °CWB | TC | IP | TC | IP | TC | IP | TC | IP | TC | IP |
| 54 | -15.0 | -16.0 | 7.8 | 2.88 | 7.6 | 2.94 | 7.4 | 3.00 | 7.2 | 3.06 | 7.0 | 3.12 |
| | -10.0 | -11.0 | 9.1 | 3.25 | 8.9 | 3.32 | 8.7 | 3.39 | 8.5 | 3.46 | 8.2 | 3.53 |
| | -5.0 | -7.0 | 9.5 | 2.93 | 9.3 | 2.99 | 9.1 | 3.05 | 8.8 | 3.11 | 8.6 | 3.17 |
| | 0.0 | -2.0 | 10.9 | 3.13 | 10.7 | 3.19 | 10.4 | 3.26 | 10.2 | 3.32 | 9.9 | 3.39 |
| | 5.0 | 3.0 | 12.6 | 3.29 | 12.3 | 3.36 | 12.0 | 3.42 | 11.7 | 3.49 | 11.4 | 3.56 |
| | 7.0 | 6.0 | 12.6 | 3.13 | 12.3 | 3.20 | 12.0 | 3.26 | 11.7 | 3.33 | 11.4 | 3.39 |
| | 10.0 | 8.0 | 12.6 | 2.90 | 12.3 | 2.96 | 12.0 | 3.02 | 11.7 | 3.08 | 11.4 | 3.14 |
| | 15.0 | 10.0 | 12.6 | 2.72 | 12.3 | 2.78 | 12.0 | 2.84 | 11.7 | 2.89 | 11.4 | 2.95 |
| | 20.0 | 15.0 | 12.6 | 2.36 | 12.3 | 2.41 | 12.0 | 2.46 | 11.7 | 2.51 | 11.4 | 2.56 |
| 24.0 | 18.0 | 12.6 | 2.00 | 12.3 | 2.04 | 12.0 | 2.08 | 11.7 | 2.12 | 11.4 | 2.16 | |
| 53 | -15.0 | -16.0 | 7.8 | 2.88 | 7.6 | 2.94 | 7.4 | 3.00 | 7.2 | 3.06 | 7.0 | 3.12 |
| | -10.0 | -11.0 | 9.1 | 3.25 | 8.9 | 3.32 | 8.7 | 3.39 | 8.5 | 3.46 | 8.2 | 3.53 |
| | -5.0 | -7.0 | 9.5 | 2.93 | 9.3 | 2.99 | 9.1 | 3.05 | 8.8 | 3.11 | 8.6 | 3.17 |
| | 0.0 | -2.0 | 10.9 | 3.13 | 10.7 | 3.19 | 10.4 | 3.26 | 10.2 | 3.32 | 9.9 | 3.39 |
| | 5.0 | 3.0 | 12.6 | 3.29 | 12.3 | 3.36 | 12.0 | 3.42 | 11.7 | 3.49 | 11.4 | 3.56 |
| | 7.0 | 6.0 | 12.6 | 3.13 | 12.3 | 3.20 | 12.0 | 3.26 | 11.7 | 3.33 | 11.4 | 3.39 |
| | 10.0 | 8.0 | 12.6 | 2.90 | 12.3 | 2.96 | 12.0 | 3.02 | 11.7 | 3.08 | 11.4 | 3.14 |
| | 15.0 | 10.0 | 12.6 | 2.72 | 12.3 | 2.78 | 12.0 | 2.84 | 11.7 | 2.89 | 11.4 | 2.95 |
| | 20.0 | 15.0 | 12.6 | 2.36 | 12.3 | 2.41 | 12.0 | 2.46 | 11.7 | 2.51 | 11.4 | 2.56 |
| 24.0 | 18.0 | 12.6 | 2.00 | 12.3 | 2.04 | 12.0 | 2.08 | 11.7 | 2.12 | 11.4 | 2.16 | |
| 52 | -15.0 | -16.0 | 7.8 | 2.88 | 7.6 | 2.94 | 7.4 | 3.00 | 7.2 | 3.06 | 7.0 | 3.12 |
| | -10.0 | -11.0 | 9.1 | 3.25 | 8.9 | 3.32 | 8.7 | 3.39 | 8.5 | 3.46 | 8.2 | 3.53 |
| | -5.0 | -7.0 | 9.5 | 2.93 | 9.3 | 2.99 | 9.1 | 3.05 | 8.8 | 3.11 | 8.6 | 3.17 |
| | 0.0 | -2.0 | 10.9 | 3.13 | 10.7 | 3.19 | 10.4 | 3.26 | 10.2 | 3.32 | 9.9 | 3.39 |
| | 5.0 | 3.0 | 12.6 | 3.29 | 12.3 | 3.36 | 12.0 | 3.42 | 11.7 | 3.49 | 11.4 | 3.56 |
| | 7.0 | 6.0 | 12.6 | 3.13 | 12.3 | 3.20 | 12.0 | 3.26 | 11.7 | 3.33 | 11.4 | 3.39 |
| | 10.0 | 8.0 | 12.6 | 2.90 | 12.3 | 2.96 | 12.0 | 3.02 | 11.7 | 3.08 | 11.4 | 3.14 |
| | 15.0 | 10.0 | 12.6 | 2.72 | 12.3 | 2.78 | 12.0 | 2.84 | 11.7 | 2.89 | 11.4 | 2.95 |
| | 20.0 | 15.0 | 12.6 | 2.36 | 12.3 | 2.41 | 12.0 | 2.46 | 11.7 | 2.51 | 11.4 | 2.56 |
| 24.0 | 18.0 | 12.6 | 2.00 | 12.3 | 2.04 | 12.0 | 2.08 | 11.7 | 2.12 | 11.4 | 2.16 | |
| 51 | -15.0 | -16.0 | 7.8 | 2.88 | 7.6 | 2.94 | 7.4 | 3.00 | 7.2 | 3.06 | 7.0 | 3.12 |
| | -10.0 | -11.0 | 9.1 | 3.25 | 8.9 | 3.32 | 8.7 | 3.39 | 8.5 | 3.46 | 8.2 | 3.53 |
| | -5.0 | -7.0 | 9.5 | 2.93 | 9.3 | 2.99 | 9.1 | 3.05 | 8.8 | 3.11 | 8.6 | 3.17 |
| | 0.0 | -2.0 | 10.9 | 3.13 | 10.7 | 3.19 | 10.4 | 3.26 | 10.2 | 3.32 | 9.9 | 3.39 |
| | 5.0 | 3.0 | 12.6 | 3.29 | 12.3 | 3.36 | 12.0 | 3.42 | 11.7 | 3.49 | 11.4 | 3.56 |
| | 7.0 | 6.0 | 12.6 | 3.13 | 12.3 | 3.20 | 12.0 | 3.26 | 11.7 | 3.33 | 11.4 | 3.39 |
| | 10.0 | 8.0 | 12.6 | 2.90 | 12.3 | 2.96 | 12.0 | 3.02 | 11.7 | 3.08 | 11.4 | 3.14 |
| | 15.0 | 10.0 | 12.6 | 2.72 | 12.3 | 2.78 | 12.0 | 2.84 | 11.7 | 2.89 | 11.4 | 2.95 |
| | 20.0 | 15.0 | 12.6 | 2.36 | 12.3 | 2.41 | 12.0 | 2.46 | 11.7 | 2.51 | 11.4 | 2.56 |
| 24.0 | 18.0 | 12.6 | 2.00 | 12.3 | 2.04 | 12.0 | 2.08 | 11.7 | 2.12 | 11.4 | 2.16 | |
| 50 | -15.0 | -16.0 | 7.8 | 2.88 | 7.6 | 2.94 | 7.4 | 3.00 | 7.2 | 3.06 | 7.0 | 3.12 |
| | -10.0 | -11.0 | 9.1 | 3.25 | 8.9 | 3.32 | 8.7 | 3.39 | 8.5 | 3.46 | 8.2 | 3.53 |
| | -5.0 | -7.0 | 9.5 | 2.93 | 9.3 | 2.99 | 9.1 | 3.05 | 8.8 | 3.11 | 8.6 | 3.17 |
| | 0.0 | -2.0 | 10.9 | 3.13 | 10.7 | 3.19 | 10.4 | 3.26 | 10.2 | 3.32 | 9.9 | 3.39 |
| | 5.0 | 3.0 | 12.6 | 3.29 | 12.3 | 3.36 | 12.0 | 3.42 | 11.7 | 3.49 | 11.4 | 3.56 |
| | 7.0 | 6.0 | 12.6 | 3.13 | 12.3 | 3.20 | 12.0 | 3.26 | 11.7 | 3.33 | 11.4 | 3.39 |
| | 10.0 | 8.0 | 12.6 | 2.90 | 12.3 | 2.96 | 12.0 | 3.02 | 11.7 | 3.08 | 11.4 | 3.14 |
| | 15.0 | 10.0 | 12.6 | 2.72 | 12.3 | 2.78 | 12.0 | 2.84 | 11.7 | 2.89 | 11.4 | 2.95 |
| | 20.0 | 15.0 | 12.6 | 2.36 | 12.3 | 2.41 | 12.0 | 2.46 | 11.7 | 2.51 | 11.4 | 2.56 |
| 24.0 | 18.0 | 12.6 | 2.00 | 12.3 | 2.04 | 12.0 | 2.08 | 11.7 | 2.12 | 11.4 | 2.16 | |
| 49 | -15.0 | -16.0 | 7.8 | 2.88 | 7.6 | 2.94 | 7.4 | 3.00 | 7.2 | 3.06 | 7.0 | 3.12 |
| | -10.0 | -11.0 | 9.1 | 3.25 | 8.9 | 3.32 | 8.7 | 3.39 | 8.5 | 3.46 | 8.2 | 3.53 |
| | -5.0 | -7.0 | 9.5 | 2.93 | 9.3 | 2.99 | 9.1 | 3.05 | 8.8 | 3.11 | 8.6 | 3.17 |
| | 0.0 | -2.0 | 10.9 | 3.13 | 10.7 | 3.19 | 10.4 | 3.26 | 10.2 | 3.32 | 9.9 | 3.39 |
| | 5.0 | 3.0 | 12.6 | 3.29 | 12.3 | 3.36 | 12.0 | 3.42 | 11.7 | 3.49 | 11.4 | 3.56 |
| | 7.0 | 6.0 | 12.6 | 3.13 | 12.3 | 3.20 | 12.0 | 3.26 | 11.7 | 3.33 | 11.4 | 3.39 |
| | 10.0 | 8.0 | 12.6 | 2.90 | 12.3 | 2.96 | 12.0 | 3.02 | 11.7 | 3.08 | 11.4 | 3.14 |
| | 15.0 | 10.0 | 12.6 | 2.72 | 12.3 | 2.78 | 12.0 | 2.84 | 11.7 | 2.89 | 11.4 | 2.95 |
| | 20.0 | 15.0 | 12.6 | 2.36 | 12.3 | 2.41 | 12.0 | 2.46 | 11.7 | 2.51 | 11.4 | 2.56 |
| 24.0 | 18.0 | 12.6 | 2.00 | 12.3 | 2.04 | 12.0 | 2.08 | 11.7 | 2.12 | 11.4 | 2.16 | |
| 48 | -15.0 | -16.0 | 7.8 | 2.88 | 7.6 | 2.94 | 7.4 | 3.00 | 7.2 | 3.06 | 7.0 | 3.12 |
| | -10.0 | -11.0 | 9.1 | 3.25 | 8.9 | 3.32 | 8.7 | 3.39 | 8.5 | 3.46 | 8.2 | 3.53 |
| | -5.0 | -7.0 | 9.5 | 2.93 | 9.3 | 2.99 | 9.1 | 3.05 | 8.8 | 3.11 | 8.6 | 3.17 |
| | 0.0 | -2.0 | 10.9 | 3.13 | 10.7 | 3.19 | 10.4 | 3.26 | 10.2 | 3.32 | 9.9 | 3.39 |
| | 5.0 | 3.0 | 12.6 | 3.29 | 12.3 | 3.36 | 12.0 | 3.42 | 11.7 | 3.49 | 11.4 | 3.56 |
| | 7.0 | 6.0 | 12.6 | 3.13 | 12.3 | 3.20 | 12.0 | 3.26 | 11.7 | 3.33 | 11.4 | 3.39 |
| | 10.0 | 8.0 | 12.6 | 2.90 | 12.3 | 2.96 | 12.0 | 3.02 | 11.7 | 3.08 | 11.4 | 3.14 |
| | 15.0 | 10.0 | 12.6 | 2.72 | 12.3 | 2.78 | 12.0 | 2.84 | 11.7 | 2.89 | 11.4 | 2.95 |
| | 20.0 | 15.0 | 12.6 | 2.36 | 12.3 | 2.41 | 12.0 | 2.46 | 11.7 | 2.51 | 11.4 | 2.56 |
| 24.0 | 18.0 | 12.6 | 2.00 | 12.3 | 2.04 | 12.0 | 2.08 | 11.7 | 2.12 | 11.4 | 2.16 | |
| 47 | -15.0 | -16.0 | 7.8 | 2.88 | 7.6 | 2.94 | 7.4 | 3.00 | 7.2 | 3.06 | 7.0 | 3.12 |
| | -10.0 | -11.0 | 9.1 | 3.25 | 8.9 | 3.32 | 8.7 | 3.39 | 8.5 | 3.46 | 8.2 | 3.53 |
| | -5.0 | -7.0 | 9.5 | 2.93 | 9.3 | 2.99 | 9.1 | 3.05 | 8.8 | 3.11 | 8.6 | 3.17 |
| | 0.0 | -2.0 | 10.9 | 3.13 | 10.7 | 3.19 | 10.4 | 3.26 | 10.2 | 3.32 | 9.9 | 3.39 |
| | 5.0 | 3.0 | 12.6 | 3.29 | 12.3 | 3.36 | 12.0 | 3.42 | 11.7 | 3.49 | 11.4 | 3.56 |
| | 7.0 | 6.0 | 12.6 | 3.13 | 12.3 | 3.20 | 12.0 | 3.26 | 11.7 | 3.33 | 11.4 | 3.39 |
| | 10.0 | 8.0 | 12.6 | 2.90 | 12.3 | 2.96 | 12.0 | 3.02 | 11.7 | 3.08 | 11.4 | 3.14 |
| | 15.0 | 10.0 | 12.6 | 2.72 | 12.3 | 2.78 | 12.0 | 2.84 | 11.7 | 2.89 | 11.4 | 2.95 |
| | 20.0 | 15.0 | 12.6 | 2.36 | 12.3 | 2.41 | 12.0 | 2.46 | 11.7 | 2.51 | 11.4 | 2.56 |
| 24.0 | 18.0 | 12.6 | 2.00 | 12.3 | 2.04 | 12.0 | 2.08 | 11.7 | 2.12 | 11.4 | 2.16 | |

| Indoor unit connecting capacity | Outdoor temperature | | Indoor temperature | | | | | | | | | |
|---------------------------------|---------------------|-------|--------------------|------|-----------|------|-----------|------|-----------|------|-----------|------|
| | | | 16.0 °CDB | | 18.0 °CDB | | 20.0 °CDB | | 22.0 °CDB | | 24.0 °CDB | |
| | kBtu/h | °CDB | °CWB | TC | IP | TC | IP | TC | IP | TC | IP | TC |
| 37 | -15.0 | -16.0 | 7.8 | 2.88 | 7.6 | 2.94 | 7.4 | 3.00 | 7.2 | 3.06 | 7.0 | 3.12 |
| | -10.0 | -11.0 | 9.1 | 3.25 | 8.9 | 3.32 | 8.7 | 3.39 | 8.5 | 3.46 | 8.2 | 3.53 |
| | -5.0 | -7.0 | 9.5 | 2.93 | 9.3 | 2.99 | 9.1 | 3.05 | 8.8 | 3.11 | 8.6 | 3.17 |
| | 0.0 | -2.0 | 10.9 | 3.13 | 10.7 | 3.19 | 10.4 | 3.26 | 10.2 | 3.32 | 9.9 | 3.39 |
| | 5.0 | 3.0 | 12.6 | 3.29 | 12.3 | 3.36 | 12.0 | 3.42 | 11.7 | 3.49 | 11.4 | 3.56 |
| | 7.0 | 6.0 | 12.6 | 3.13 | 12.3 | 3.20 | 12.0 | 3.26 | 11.7 | 3.33 | 11.4 | 3.39 |
| | 10.0 | 8.0 | 12.6 | 2.90 | 12.3 | 2.96 | 12.0 | 3.02 | 11.7 | 3.08 | 11.4 | 3.14 |
| | 15.0 | 10.0 | 12.6 | 2.72 | 12.3 | 2.78 | 12.0 | 2.84 | 11.7 | 2.89 | 11.4 | 2.95 |
| | 20.0 | 15.0 | 12.6 | 2.36 | 12.3 | 2.41 | 12.0 | 2.46 | 11.7 | 2.51 | 11.4 | 2.56 |
| | 24.0 | 18.0 | 12.6 | 2.00 | 12.3 | 2.04 | 12.0 | 2.08 | 11.7 | 2.12 | 11.4 | 2.16 |
| 36 | -15.0 | -16.0 | 7.8 | 2.88 | 7.6 | 2.94 | 7.4 | 3.00 | 7.2 | 3.06 | 7.0 | 3.12 |
| | -10.0 | -11.0 | 9.1 | 3.25 | 8.9 | 3.32 | 8.7 | 3.39 | 8.5 | 3.46 | 8.2 | 3.53 |
| | -5.0 | -7.0 | 9.5 | 2.93 | 9.3 | 2.99 | 9.1 | 3.05 | 8.8 | 3.11 | 8.6 | 3.17 |
| | 0.0 | -2.0 | 10.9 | 3.13 | 10.7 | 3.19 | 10.4 | 3.26 | 10.2 | 3.32 | 9.9 | 3.39 |
| | 5.0 | 3.0 | 12.6 | 3.29 | 12.3 | 3.36 | 12.0 | 3.42 | 11.7 | 3.49 | 11.4 | 3.56 |
| | 7.0 | 6.0 | 12.6 | 3.13 | 12.3 | 3.20 | 12.0 | 3.26 | 11.7 | 3.33 | 11.4 | 3.39 |
| | 10.0 | 8.0 | 12.6 | 2.90 | 12.3 | 2.96 | 12.0 | 3.02 | 11.7 | 3.08 | 11.4 | 3.14 |
| | 15.0 | 10.0 | 12.6 | 2.72 | 12.3 | 2.78 | 12.0 | 2.84 | 11.7 | 2.89 | 11.4 | 2.95 |
| | 20.0 | 15.0 | 12.6 | 2.36 | 12.3 | 2.41 | 12.0 | 2.46 | 11.7 | 2.51 | 11.4 | 2.56 |
| | 24.0 | 18.0 | 12.6 | 2.00 | 12.3 | 2.04 | 12.0 | 2.08 | 11.7 | 2.12 | 11.4 | 2.16 |
| 35 | -15.0 | -16.0 | 7.8 | 2.88 | 7.6 | 2.94 | 7.4 | 3.00 | 7.2 | 3.06 | 7.0 | 3.12 |
| | -10.0 | -11.0 | 9.1 | 3.25 | 8.9 | 3.32 | 8.7 | 3.39 | 8.5 | 3.46 | 8.2 | 3.53 |
| | -5.0 | -7.0 | 9.5 | 2.93 | 9.3 | 2.99 | 9.1 | 3.05 | 8.8 | 3.11 | 8.6 | 3.17 |
| | 0.0 | -2.0 | 10.9 | 3.13 | 10.7 | 3.19 | 10.4 | 3.26 | 10.2 | 3.32 | 9.9 | 3.39 |
| | 5.0 | 3.0 | 12.6 | 3.29 | 12.3 | 3.36 | 12.0 | 3.42 | 11.7 | 3.49 | 11.4 | 3.56 |
| | 7.0 | 6.0 | 12.6 | 3.13 | 12.3 | 3.20 | 12.0 | 3.26 | 11.7 | 3.33 | 11.4 | 3.39 |
| | 10.0 | 8.0 | 12.6 | 2.90 | 12.3 | 2.96 | 12.0 | 3.02 | 11.7 | 3.08 | 11.4 | 3.14 |
| | 15.0 | 10.0 | 12.6 | 2.72 | 12.3 | 2.78 | 12.0 | 2.84 | 11.7 | 2.89 | 11.4 | 2.95 |
| | 20.0 | 15.0 | 12.6 | 2.36 | 12.3 | 2.41 | 12.0 | 2.46 | 11.7 | 2.51 | 11.4 | 2.56 |
| | 24.0 | 18.0 | 12.6 | 2.00 | 12.3 | 2.04 | 12.0 | 2.08 | 11.7 | 2.12 | 11.4 | 2.16 |
| 34 | -15.0 | -16.0 | 7.8 | 2.82 | 7.6 | 2.88 | 7.4 | 2.94 | 7.2 | 3.00 | 7.0 | 3.06 |
| | -10.0 | -11.0 | 9.1 | 3.19 | 8.9 | 3.26 | 8.7 | 3.32 | 8.5 | 3.39 | 8.2 | 3.46 |
| | -5.0 | -7.0 | 9.5 | 2.87 | 9.3 | 2.93 | 9.1 | 2.99 | 8.8 | 3.05 | 8.6 | 3.11 |
| | 0.0 | -2.0 | 10.9 | 3.07 | 10.7 | 3.13 | 10.4 | 3.19 | 10.2 | 3.26 | 9.9 | 3.32 |
| | 5.0 | 3.0 | 12.6 | 3.22 | 12.3 | 3.29 | 12.0 | 3.36 | 11.7 | 3.43 | 11.4 | 3.49 |
| | 7.0 | 6.0 | 12.6 | 3.07 | 12.3 | 3.14 | 12.0 | 3.20 | 11.7 | 3.26 | 11.4 | 3.33 |
| | 10.0 | 8.0 | 12.6 | 2.85 | 12.3 | 2.91 | 12.0 | 2.97 | 11.7 | 3.02 | 11.4 | 3.08 |
| | 15.0 | 10.0 | 12.6 | 2.67 | 12.3 | 2.73 | 12.0 | 2.78 | 11.7 | 2.84 | 11.4 | 2.89 |
| | 20.0 | 15.0 | 12.6 | 2.32 | 12.3 | 2.36 | 12.0 | 2.41 | 11.7 | 2.46 | 11.4 | 2.51 |
| | 24.0 | 18.0 | 12.6 | 1.96 | 12.3 | 2.00 | 12.0 | 2.04 | 11.7 | 2.08 | 11.4 | 2.12 |
| 33 | -15.0 | -16.0 | 7.8 | 2.82 | 7.6 | 2.88 | 7.4 | 2.94 | 7.2 | 3.00 | 7.0 | 3.06 |
| | -10.0 | -11.0 | 9.1 | 3.19 | 8.9 | 3.26 | 8.7 | 3.32 | 8.5 | 3.39 | 8.2 | 3.46 |
| | -5.0 | -7.0 | 9.5 | 2.87 | 9.3 | 2.93 | 9.1 | 2.99 | 8.8 | 3.05 | 8.6 | 3.11 |
| | 0.0 | -2.0 | 10.9 | 3.07 | 10.7 | 3.13 | 10.4 | 3.19 | 10.2 | 3.26 | 9.9 | 3.32 |
| | 5.0 | 3.0 | 12.6 | 3.22 | 12.3 | 3.29 | 12.0 | 3.36 | 11.7 | 3.43 | 11.4 | 3.49 |
| | 7.0 | 6.0 | 12.6 | 3.07 | 12.3 | 3.14 | 12.0 | 3.20 | 11.7 | 3.26 | 11.4 | 3.33 |
| | 10.0 | 8.0 | 12.6 | 2.85 | 12.3 | 2.91 | 12.0 | 2.97 | 11.7 | 3.02 | 11.4 | 3.08 |
| | 15.0 | 10.0 | 12.6 | 2.67 | 12.3 | 2.73 | 12.0 | 2.78 | 11.7 | 2.84 | 11.4 | 2.89 |
| | 20.0 | 15.0 | 12.6 | 2.32 | 12.3 | 2.36 | 12.0 | 2.41 | 11.7 | 2.46 | 11.4 | 2.51 |
| | 24.0 | 18.0 | 12.6 | 1.96 | 12.3 | 2.00 | 12.0 | 2.04 | 11.7 | 2.08 | 11.4 | 2.12 |
| 32 | -15.0 | -16.0 | 7.8 | 2.82 | 7.6 | 2.88 | 7.4 | 2.94 | 7.2 | 3.00 | 7.0 | 3.06 |
| | -10.0 | -11.0 | 9.1 | 3.19 | 8.9 | 3.26 | 8.7 | 3.32 | 8.5 | 3.39 | 8.2 | 3.46 |
| | -5.0 | -7.0 | 9.5 | 2.87 | 9.3 | 2.93 | 9.1 | 2.99 | 8.8 | 3.05 | 8.6 | 3.11 |
| | 0.0 | -2.0 | 10.9 | 3.07 | 10.7 | 3.13 | 10.4 | 3.19 | 10.2 | 3.26 | 9.9 | 3.32 |
| | 5.0 | 3.0 | 12.6 | 3.22 | 12.3 | 3.29 | 12.0 | 3.36 | 11.7 | 3.43 | 11.4 | 3.49 |
| | 7.0 | 6.0 | 12.6 | 3.07 | 12.3 | 3.14 | 12.0 | 3.20 | 11.7 | 3.26 | 11.4 | 3.33 |
| | 10.0 | 8.0 | 12.6 | 2.85 | 12.3 | 2.91 | 12.0 | 2.97 | 11.7 | 3.02 | 11.4 | 3.08 |
| | 15.0 | 10.0 | 12.6 | 2.67 | 12.3 | 2.73 | 12.0 | 2.78 | 11.7 | 2.84 | 11.4 | 2.89 |
| | 20.0 | 15.0 | 12.6 | 2.32 | 12.3 | 2.36 | 12.0 | 2.41 | 11.7 | 2.46 | 11.4 | 2.51 |
| | 24.0 | 18.0 | 12.6 | 1.96 | 12.3 | 2.00 | 12.0 | 2.04 | 11.7 | 2.08 | 11.4 | 2.12 |
| 31 | -15.0 | -16.0 | 7.8 | 2.82 | 7.6 | 2.88 | 7.4 | 2.94 | 7.2 | 3.00 | 7.0 | 3.06 |
| | -10.0 | -11.0 | 9.1 | 3.19 | 8.9 | 3.26 | 8.7 | 3.32 | 8.5 | 3.39 | 8.2 | 3.46 |
| | -5.0 | -7.0 | 9.5 | 2.87 | 9.3 | 2.93 | 9.1 | 2.99 | 8.8 | 3.05 | 8.6 | 3.11 |
| | 0.0 | -2.0 | 10.9 | 3.07 | 10.7 | 3.13 | 10.4 | 3.19 | 10.2 | 3.26 | 9.9 | 3.32 |
| | 5.0 | 3.0 | 12.6 | 3.22 | 12.3 | 3.29 | 12.0 | 3.36 | 11.7 | 3.43 | 11.4 | 3.49 |
| | 7.0 | 6.0 | 12.6 | 3.07 | 12.3 | 3.14 | 12.0 | 3.20 | 11.7 | 3.26 | 11.4 | 3.33 |
| | 10.0 | 8.0 | 12.6 | 2.85 | 12.3 | 2.91 | 12.0 | 2.97 | 11.7 | 3.02 | 11.4 | 3.08 |
| | 15.0 | 10.0 | 12.6 | 2.67 | 12.3 | 2.73 | 12.0 | 2.78 | 11.7 | 2.84 | 11.4 | 2.89 |
| | 20.0 | 15.0 | 12.6 | 2.32 | 12.3 | 2.36 | 12.0 | 2.41 | 11.7 | 2.46 | 11.4 | 2.51 |
| | 24.0 | 18.0 | 12.6 | 1.96 | 12.3 | 2.00 | 12.0 | 2.04 | 11.7 | 2.08 | 11.4 | 2.12 |
| 30 | -15.0 | -16.0 | 7.8 | 2.82 | 7.6 | 2.88 | 7.4 | 2.94 | 7.2 | 3.00 | 7.0 | 3.06 |
| | -10.0 | -11.0 | 9.1 | 3.19 | 8.9 | 3.26 | 8.7 | 3.32 | 8.5 | 3.39 | 8.2 | 3.46 |
| | -5.0 | -7.0 | 9.5 | 2.87 | 9.3 | 2.93 | 9.1 | 2.99 | 8.8 | 3.05 | 8.6 | 3.11 |
| | 0.0 | -2.0 | 10.9 | 3.07 | 10.7 | 3.13 | 10.4 | 3.19 | 10.2 | 3.26 | 9.9 | 3.32 |
| | 5.0 | 3.0 | 12.6 | 3.22 | 12.3 | 3.29 | 12.0 | 3.36 | 11.7 | 3.43 | 11.4 | 3.49 |
| | 7.0 | 6.0 | 12.6 | 3.07 | 12.3 | 3.14 | 12.0 | 3.20 | 11.7 | 3.26 | 11.4 | 3.33 |
| | 10.0 | 8.0 | 12.6 | 2.85 | 12.3 | 2.91 | 12.0 | 2.97 | 11.7 | 3.02 | 11.4 | 3.08 |
| | 15.0 | 10.0 | 12.6 | 2.67 | 12.3 | 2.73 | 12.0 | 2.78 | 11.7 | 2.84 | 11.4 | 2.89 |
| | 20.0 | 15.0 | 12.6 | 2.32 | 12.3 | 2.36 | 12.0 | 2.41 | 11.7 | 2.46 | 11.4 | 2.51 |
| | 24.0 | 18.0 | 12.6 | 1.96 | 12.3 | 2.00 | 12.0 | 2.04 | 11.7 | 2.08 | 11.4 | 2.12 |
| 28 | -15.0 | -16.0 | 7.2 | 2.61 | 7.1 | 2.66 | 6.9 | 2.72 | 6.7 | 2.77 | 6.6 | 2.83 |
| | -10.0 | -11.0 | 8.5 | 2.95 | 8.3 | 3.01 | 8.1 | 3.07 | 7.9 | 3.13 | 7.7 | 3.20 |
| | -5.0 | -7.0 | 8.9 | 2.66 | 8.7 | 2.71 | 8.5 | 2.77 | 8.3 | 2.82 | 8.0 | 2.88 |
| | 0.0 | -2.0 | 10.2 | 2.83 | 10.0 | 2.89 | 9.7 | 2.95 | 9.5 | 3.01 | 9.2 | 3.07 |
| | 5.0 | 3.0 | 11.8 | 2.98 | 11.5 | 3.04 | 11.2 | 3.10 | 10.9 | 3.17 | 10.6 | 3.23 |
| | 7.0 | 6.0 | 11.8 | 2.84 | 11.5 | 2.90 | 11.2 | 2.96 | 10.9 | 3.02 | 10.6 | 3.08 |
| | 10.0 | 8.0 | 11.8 | 2.63 | 11.5 | 2.69 | 11.2 | 2.74 | 10.9 | 2.80 | 10.6 | 2.85 |
| | 15.0 | 10.0 | 11.8 | 2.47 | 11.5 | 2.52 | 11.2 | 2.57 | 10.9 | 2.62 | 10.6 | 2.67 |
| | 20.0 | 15.0 | 11.8 | 2.14 | 11.5 | 2.19 | 11.2 | 2.23 | 10.9 | 2.28 | 10.6 | 2.32 |
| | 24.0 | 18.0 | 11.8 | 1.81 | 11.5 | 1.85 | 11.2 | 1.88 | 10.9 | 1.92 | 10.6 | 1.96 |

| Indoor unit connecting capacity | Outdoor temperature | | Indoor temperature | | | | | | | | | |
|---------------------------------|---------------------|-------|--------------------|------|-----------|------|-----------|------|-----------|------|-----------|------|
| | | | 16.0 °CDB | | 18.0 °CDB | | 20.0 °CDB | | 22.0 °CDB | | 24.0 °CDB | |
| | kBtu/h | °CDB | °CWB | TC | IP | TC | IP | TC | IP | TC | IP | TC |
| 27 | -15.0 | -16.0 | 7.0 | 2.50 | 6.8 | 2.56 | 6.7 | 2.61 | 6.5 | 2.66 | 6.3 | 2.71 |
| | -10.0 | -11.0 | 8.2 | 2.83 | 8.0 | 2.89 | 7.8 | 2.95 | 7.6 | 3.01 | 7.4 | 3.07 |
| | -5.0 | -7.0 | 8.6 | 2.55 | 8.4 | 2.60 | 8.2 | 2.65 | 8.0 | 2.71 | 7.8 | 2.76 |
| | 0.0 | -2.0 | 9.9 | 2.72 | 9.6 | 2.78 | 9.4 | 2.83 | 9.2 | 2.89 | 8.9 | 2.95 |
| | 5.0 | 3.0 | 11.3 | 2.86 | 11.1 | 2.92 | 10.8 | 2.98 | 10.5 | 3.04 | 10.3 | 3.10 |
| | 7.0 | 6.0 | 11.3 | 2.72 | 11.1 | 2.78 | 10.8 | 2.84 | 10.5 | 2.89 | 10.3 | 2.95 |
| | 10.0 | 8.0 | 11.3 | 2.52 | 11.1 | 2.58 | 10.8 | 2.63 | 10.5 | 2.68 | 10.3 | 2.73 |
| | 15.0 | 10.0 | 11.3 | 2.37 | 11.1 | 2.42 | 10.8 | 2.47 | 10.5 | 2.52 | 10.3 | 2.57 |
| | 20.0 | 15.0 | 11.3 | 2.05 | 11.1 | 2.10 | 10.8 | 2.14 | 10.5 | 2.18 | 10.3 | 2.22 |
| | 24.0 | 18.0 | 11.3 | 1.73 | 11.1 | 1.77 | 10.8 | 1.81 | 10.5 | 1.84 | 10.3 | 1.88 |

NOTES:

- TC: Total Capacity (kW), IP: Input Power (kW)
- Values mentioned in the table are based on the following conditions:
 - Power source of specifications: 230 V
 - Pipe length: 5 m, Height difference: 0 m (Outdoor unit—Indoor unit)
- 2 or more indoor units should be connected.
- The total ability of connected a indoor unit is from 27,000 Btu/h up to 54,000 Btu/h.
- Input in the table are calculated based on the maximum indoor unit input combinations.

OUTDOOR UNIT
AOYG36KBT A5

OUTDOOR UNIT
AOYG36KBT A5

● Compact cassette type

Model: AUXG07KVLA

| Outdoor temperature | | Indoor temperature (°CDB) | | | | |
|---------------------|--------|---------------------------|------|------|------|------|
| | | 16.0 | 18.0 | 20.0 | 22.0 | 24.0 |
| (°CDB) | (°CWB) | TC | TC | TC | TC | TC |
| -15.0 | -16.0 | 1.82 | 1.78 | 1.74 | 1.69 | 1.65 |
| -10.0 | -11.0 | 2.12 | 2.07 | 2.02 | 1.97 | 1.92 |
| -5.0 | -7.0 | 2.23 | 2.18 | 2.13 | 2.07 | 2.02 |
| 0.0 | -2.0 | 2.56 | 2.50 | 2.44 | 2.38 | 2.31 |
| 5.0 | 3.0 | 2.94 | 2.87 | 2.80 | 2.73 | 2.66 |
| 7.0 | 6.0 | 2.94 | 2.87 | 2.80 | 2.73 | 2.66 |
| 10.0 | 8.0 | 2.94 | 2.87 | 2.80 | 2.73 | 2.66 |
| 15.0 | 10.0 | 2.94 | 2.87 | 2.80 | 2.73 | 2.66 |
| 20.0 | 15.0 | 2.94 | 2.87 | 2.80 | 2.73 | 2.66 |
| 24.0 | 18.0 | 2.94 | 2.87 | 2.80 | 2.73 | 2.66 |

Model: AUXG09KVLA

| Outdoor temperature | | Indoor temperature (°CDB) | | | | |
|---------------------|--------|---------------------------|------|------|------|------|
| | | 16.0 | 18.0 | 20.0 | 22.0 | 24.0 |
| (°CDB) | (°CWB) | TC | TC | TC | TC | TC |
| -15.0 | -16.0 | 2.34 | 2.29 | 2.23 | 2.18 | 2.12 |
| -10.0 | -11.0 | 2.72 | 2.66 | 2.59 | 2.53 | 2.46 |
| -5.0 | -7.0 | 2.87 | 2.80 | 2.74 | 2.67 | 2.60 |
| 0.0 | -2.0 | 3.29 | 3.21 | 3.13 | 3.05 | 2.98 |
| 5.0 | 3.0 | 3.78 | 3.69 | 3.60 | 3.51 | 3.42 |
| 7.0 | 6.0 | 3.78 | 3.69 | 3.60 | 3.51 | 3.42 |
| 10.0 | 8.0 | 3.78 | 3.69 | 3.60 | 3.51 | 3.42 |
| 15.0 | 10.0 | 3.78 | 3.69 | 3.60 | 3.51 | 3.42 |
| 20.0 | 15.0 | 3.78 | 3.69 | 3.60 | 3.51 | 3.42 |
| 24.0 | 18.0 | 3.78 | 3.69 | 3.60 | 3.51 | 3.42 |

Model: AUXG12KVLA

| Outdoor temperature | | Indoor temperature (°CDB) | | | | |
|---------------------|--------|---------------------------|------|------|------|------|
| | | 16.0 | 18.0 | 20.0 | 22.0 | 24.0 |
| (°CDB) | (°CWB) | TC | TC | TC | TC | TC |
| -15.0 | -16.0 | 3.12 | 3.05 | 2.98 | 2.90 | 2.83 |
| -10.0 | -11.0 | 3.63 | 3.54 | 3.46 | 3.37 | 3.28 |
| -5.0 | -7.0 | 3.83 | 3.74 | 3.65 | 3.56 | 3.47 |
| 0.0 | -2.0 | 4.38 | 4.28 | 4.18 | 4.07 | 3.97 |
| 5.0 | 3.0 | 5.04 | 4.92 | 4.80 | 4.68 | 4.56 |
| 7.0 | 6.0 | 5.04 | 4.92 | 4.80 | 4.68 | 4.56 |
| 10.0 | 8.0 | 5.04 | 4.92 | 4.80 | 4.68 | 4.56 |
| 15.0 | 10.0 | 5.04 | 4.92 | 4.80 | 4.68 | 4.56 |
| 20.0 | 15.0 | 5.04 | 4.92 | 4.80 | 4.68 | 4.56 |
| 24.0 | 18.0 | 5.04 | 4.92 | 4.80 | 4.68 | 4.56 |

Model: AUXG14KVLA

| Outdoor temperature | | Indoor temperature (°CDB) | | | | |
|---------------------|--------|---------------------------|------|------|------|------|
| | | 16.0 | 18.0 | 20.0 | 22.0 | 24.0 |
| (°CDB) | (°CWB) | TC | TC | TC | TC | TC |
| -15.0 | -16.0 | 3.65 | 3.56 | 3.47 | 3.39 | 3.30 |
| -10.0 | -11.0 | 4.23 | 4.13 | 4.03 | 3.93 | 3.83 |
| -5.0 | -7.0 | 4.47 | 4.36 | 4.26 | 4.15 | 4.04 |
| 0.0 | -2.0 | 5.12 | 4.99 | 4.87 | 4.75 | 4.63 |
| 5.0 | 3.0 | 5.88 | 5.74 | 5.60 | 5.46 | 5.32 |
| 7.0 | 6.0 | 5.88 | 5.74 | 5.60 | 5.46 | 5.32 |
| 10.0 | 8.0 | 5.88 | 5.74 | 5.60 | 5.46 | 5.32 |
| 15.0 | 10.0 | 5.88 | 5.74 | 5.60 | 5.46 | 5.32 |
| 20.0 | 15.0 | 5.88 | 5.74 | 5.60 | 5.46 | 5.32 |
| 24.0 | 18.0 | 5.88 | 5.74 | 5.60 | 5.46 | 5.32 |

Model: AUXG18KVLA

| Outdoor temperature | | Indoor temperature (°CDB) | | | | |
|---------------------|--------|---------------------------|------|------|------|------|
| | | 16.0 | 18.0 | 20.0 | 22.0 | 24.0 |
| (°CDB) | (°CWB) | TC | TC | TC | TC | TC |
| -15.0 | -16.0 | 4.39 | 4.29 | 4.19 | 4.08 | 3.98 |
| -10.0 | -11.0 | 5.10 | 4.98 | 4.86 | 4.74 | 4.62 |
| -5.0 | -7.0 | 5.39 | 5.26 | 5.13 | 5.00 | 4.87 |
| 0.0 | -2.0 | 6.17 | 6.02 | 5.87 | 5.73 | 5.58 |
| 5.0 | 3.0 | 7.09 | 6.92 | 6.75 | 6.58 | 6.41 |
| 7.0 | 6.0 | 7.09 | 6.92 | 6.75 | 6.58 | 6.41 |
| 10.0 | 8.0 | 7.09 | 6.92 | 6.75 | 6.58 | 6.41 |
| 15.0 | 10.0 | 7.09 | 6.92 | 6.75 | 6.58 | 6.41 |
| 20.0 | 15.0 | 7.09 | 6.92 | 6.75 | 6.58 | 6.41 |
| 24.0 | 18.0 | 7.09 | 6.92 | 6.75 | 6.58 | 6.41 |

Model: AUXG22KVLA

| Outdoor temperature | | Indoor temperature (°CDB) | | | | |
|---------------------|--------|---------------------------|------|------|------|------|
| | | 16.0 | 18.0 | 20.0 | 22.0 | 24.0 |
| (°CDB) | (°CWB) | TC | TC | TC | TC | TC |
| -15.0 | -16.0 | 5.55 | 5.41 | 5.28 | 5.15 | 5.02 |
| -10.0 | -11.0 | 6.44 | 6.29 | 6.13 | 5.98 | 5.83 |
| -5.0 | -7.0 | 6.80 | 6.64 | 6.48 | 6.31 | 6.15 |
| 0.0 | -2.0 | 7.78 | 7.60 | 7.41 | 7.23 | 7.04 |
| 5.0 | 3.0 | 8.95 | 8.73 | 8.52 | 8.31 | 8.09 |
| 7.0 | 6.0 | 8.95 | 8.73 | 8.52 | 8.31 | 8.09 |
| 10.0 | 8.0 | 8.95 | 8.73 | 8.52 | 8.31 | 8.09 |
| 15.0 | 10.0 | 8.95 | 8.73 | 8.52 | 8.31 | 8.09 |
| 20.0 | 15.0 | 8.95 | 8.73 | 8.52 | 8.31 | 8.09 |
| 24.0 | 18.0 | 8.95 | 8.73 | 8.52 | 8.31 | 8.09 |

NOTES:

- TC: Total Capacity (kW)
- Values mentioned in the table are based on the following conditions:
 - Pipe length: 5 m, Height difference: 0 m (Outdoor unit—Indoor unit)

● Mini duct type

Model: ARXG07KSLAP

| Outdoor temperature | | Indoor temperature (°CDB) | | | | |
|---------------------|--------|---------------------------|------|------|------|------|
| | | 16.0 | 18.0 | 20.0 | 22.0 | 24.0 |
| (°CDB) | (°CWB) | TC | TC | TC | TC | TC |
| -15.0 | -16.0 | 1.82 | 1.78 | 1.74 | 1.69 | 1.65 |
| -10.0 | -11.0 | 2.12 | 2.07 | 2.02 | 1.97 | 1.92 |
| -5.0 | -7.0 | 2.23 | 2.18 | 2.13 | 2.07 | 2.02 |
| 0.0 | -2.0 | 2.56 | 2.50 | 2.44 | 2.38 | 2.31 |
| 5.0 | 3.0 | 2.94 | 2.87 | 2.80 | 2.73 | 2.66 |
| 7.0 | 6.0 | 2.94 | 2.87 | 2.80 | 2.73 | 2.66 |
| 10.0 | 8.0 | 2.94 | 2.87 | 2.80 | 2.73 | 2.66 |
| 15.0 | 10.0 | 2.94 | 2.87 | 2.80 | 2.73 | 2.66 |
| 20.0 | 15.0 | 2.94 | 2.87 | 2.80 | 2.73 | 2.66 |
| 24.0 | 18.0 | 2.94 | 2.87 | 2.80 | 2.73 | 2.66 |

Model: ARXG09KSLAP

| Outdoor temperature | | Indoor temperature (°CDB) | | | | |
|---------------------|--------|---------------------------|------|------|------|------|
| | | 16.0 | 18.0 | 20.0 | 22.0 | 24.0 |
| (°CDB) | (°CWB) | TC | TC | TC | TC | TC |
| -15.0 | -16.0 | 2.34 | 2.29 | 2.23 | 2.18 | 2.12 |
| -10.0 | -11.0 | 2.72 | 2.66 | 2.59 | 2.53 | 2.46 |
| -5.0 | -7.0 | 2.87 | 2.80 | 2.74 | 2.67 | 2.60 |
| 0.0 | -2.0 | 3.29 | 3.21 | 3.13 | 3.05 | 2.98 |
| 5.0 | 3.0 | 3.78 | 3.69 | 3.60 | 3.51 | 3.42 |
| 7.0 | 6.0 | 3.78 | 3.69 | 3.60 | 3.51 | 3.42 |
| 10.0 | 8.0 | 3.78 | 3.69 | 3.60 | 3.51 | 3.42 |
| 15.0 | 10.0 | 3.78 | 3.69 | 3.60 | 3.51 | 3.42 |
| 20.0 | 15.0 | 3.78 | 3.69 | 3.60 | 3.51 | 3.42 |
| 24.0 | 18.0 | 3.78 | 3.69 | 3.60 | 3.51 | 3.42 |

Model: ARXG12KSLAP

| Outdoor temperature | | Indoor temperature (°CDB) | | | | |
|---------------------|--------|---------------------------|------|------|------|------|
| | | 16.0 | 18.0 | 20.0 | 22.0 | 24.0 |
| (°CDB) | (°CWB) | TC | TC | TC | TC | TC |
| -15.0 | -16.0 | 3.12 | 3.05 | 2.98 | 2.90 | 2.83 |
| -10.0 | -11.0 | 3.63 | 3.54 | 3.46 | 3.37 | 3.28 |
| -5.0 | -7.0 | 3.83 | 3.74 | 3.65 | 3.56 | 3.47 |
| 0.0 | -2.0 | 4.38 | 4.28 | 4.18 | 4.07 | 3.97 |
| 5.0 | 3.0 | 5.04 | 4.92 | 4.80 | 4.68 | 4.56 |
| 7.0 | 6.0 | 5.04 | 4.92 | 4.80 | 4.68 | 4.56 |
| 10.0 | 8.0 | 5.04 | 4.92 | 4.80 | 4.68 | 4.56 |
| 15.0 | 10.0 | 5.04 | 4.92 | 4.80 | 4.68 | 4.56 |
| 20.0 | 15.0 | 5.04 | 4.92 | 4.80 | 4.68 | 4.56 |
| 24.0 | 18.0 | 5.04 | 4.92 | 4.80 | 4.68 | 4.56 |

Model: ARXG14KSLAP

| Outdoor temperature | | Indoor temperature (°CDB) | | | | |
|---------------------|--------|---------------------------|------|------|------|------|
| | | 16.0 | 18.0 | 20.0 | 22.0 | 24.0 |
| (°CDB) | (°CWB) | TC | TC | TC | TC | TC |
| -15.0 | -16.0 | 3.65 | 3.56 | 3.47 | 3.39 | 3.30 |
| -10.0 | -11.0 | 4.23 | 4.13 | 4.03 | 3.93 | 3.83 |
| -5.0 | -7.0 | 4.47 | 4.36 | 4.26 | 4.15 | 4.04 |
| 0.0 | -2.0 | 5.12 | 4.99 | 4.87 | 4.75 | 4.63 |
| 5.0 | 3.0 | 5.88 | 5.74 | 5.60 | 5.46 | 5.32 |
| 7.0 | 6.0 | 5.88 | 5.74 | 5.60 | 5.46 | 5.32 |
| 10.0 | 8.0 | 5.88 | 5.74 | 5.60 | 5.46 | 5.32 |
| 15.0 | 10.0 | 5.88 | 5.74 | 5.60 | 5.46 | 5.32 |
| 20.0 | 15.0 | 5.88 | 5.74 | 5.60 | 5.46 | 5.32 |
| 24.0 | 18.0 | 5.88 | 5.74 | 5.60 | 5.46 | 5.32 |

Model: ARXG18KSLAP

| Outdoor temperature | | Indoor temperature (°CDB) | | | | |
|---------------------|--------|---------------------------|------|------|------|------|
| | | 16.0 | 18.0 | 20.0 | 22.0 | 24.0 |
| (°CDB) | (°CWB) | TC | TC | TC | TC | TC |
| -15.0 | -16.0 | 4.39 | 4.29 | 4.19 | 4.08 | 3.98 |
| -10.0 | -11.0 | 5.10 | 4.98 | 4.86 | 4.74 | 4.62 |
| -5.0 | -7.0 | 5.39 | 5.26 | 5.13 | 5.00 | 4.87 |
| 0.0 | -2.0 | 6.17 | 6.02 | 5.87 | 5.73 | 5.58 |
| 5.0 | 3.0 | 7.09 | 6.92 | 6.75 | 6.58 | 6.41 |
| 7.0 | 6.0 | 7.09 | 6.92 | 6.75 | 6.58 | 6.41 |
| 10.0 | 8.0 | 7.09 | 6.92 | 6.75 | 6.58 | 6.41 |
| 15.0 | 10.0 | 7.09 | 6.92 | 6.75 | 6.58 | 6.41 |
| 20.0 | 15.0 | 7.09 | 6.92 | 6.75 | 6.58 | 6.41 |
| 24.0 | 18.0 | 7.09 | 6.92 | 6.75 | 6.58 | 6.41 |

NOTES:

- TC: Total Capacity (kW)
- Values mentioned in the table are based on the following conditions:
 - Pipe length: 5 m, Height difference: 0 m [Outdoor unit—Indoor unit]

● Slim duct type

Model: ARXG07KLLAP

| Outdoor temperature | | Indoor temperature (°CDB) | | | | |
|---------------------|--------|---------------------------|------|------|------|------|
| | | 16.0 | 18.0 | 20.0 | 22.0 | 24.0 |
| (°CDB) | (°CWB) | TC | TC | TC | TC | TC |
| -15.0 | -16.0 | 1.82 | 1.78 | 1.74 | 1.69 | 1.65 |
| -10.0 | -11.0 | 2.12 | 2.07 | 2.02 | 1.97 | 1.92 |
| -5.0 | -7.0 | 2.23 | 2.18 | 2.13 | 2.07 | 2.02 |
| 0.0 | -2.0 | 2.56 | 2.50 | 2.44 | 2.38 | 2.31 |
| 5.0 | 3.0 | 2.94 | 2.87 | 2.80 | 2.73 | 2.66 |
| 7.0 | 6.0 | 2.94 | 2.87 | 2.80 | 2.73 | 2.66 |
| 10.0 | 8.0 | 2.94 | 2.87 | 2.80 | 2.73 | 2.66 |
| 15.0 | 10.0 | 2.94 | 2.87 | 2.80 | 2.73 | 2.66 |
| 20.0 | 15.0 | 2.94 | 2.87 | 2.80 | 2.73 | 2.66 |
| 24.0 | 18.0 | 2.94 | 2.87 | 2.80 | 2.73 | 2.66 |

Model: ARXG09KLLAP

| Outdoor temperature | | Indoor temperature (°CDB) | | | | |
|---------------------|--------|---------------------------|------|------|------|------|
| | | 16.0 | 18.0 | 20.0 | 22.0 | 24.0 |
| (°CDB) | (°CWB) | TC | TC | TC | TC | TC |
| -15.0 | -16.0 | 2.34 | 2.29 | 2.23 | 2.18 | 2.12 |
| -10.0 | -11.0 | 2.72 | 2.66 | 2.59 | 2.53 | 2.46 |
| -5.0 | -7.0 | 2.87 | 2.80 | 2.74 | 2.67 | 2.60 |
| 0.0 | -2.0 | 3.29 | 3.21 | 3.13 | 3.05 | 2.98 |
| 5.0 | 3.0 | 3.78 | 3.69 | 3.60 | 3.51 | 3.42 |
| 7.0 | 6.0 | 3.78 | 3.69 | 3.60 | 3.51 | 3.42 |
| 10.0 | 8.0 | 3.78 | 3.69 | 3.60 | 3.51 | 3.42 |
| 15.0 | 10.0 | 3.78 | 3.69 | 3.60 | 3.51 | 3.42 |
| 20.0 | 15.0 | 3.78 | 3.69 | 3.60 | 3.51 | 3.42 |
| 24.0 | 18.0 | 3.78 | 3.69 | 3.60 | 3.51 | 3.42 |

Model: ARXG12KLLAP

| Outdoor temperature | | Indoor temperature (°CDB) | | | | |
|---------------------|--------|---------------------------|------|------|------|------|
| | | 16.0 | 18.0 | 20.0 | 22.0 | 24.0 |
| (°CDB) | (°CWB) | TC | TC | TC | TC | TC |
| -15.0 | -16.0 | 3.12 | 3.05 | 2.98 | 2.90 | 2.83 |
| -10.0 | -11.0 | 3.63 | 3.54 | 3.46 | 3.37 | 3.28 |
| -5.0 | -7.0 | 3.83 | 3.74 | 3.65 | 3.56 | 3.47 |
| 0.0 | -2.0 | 4.38 | 4.28 | 4.18 | 4.07 | 3.97 |
| 5.0 | 3.0 | 5.04 | 4.92 | 4.80 | 4.68 | 4.56 |
| 7.0 | 6.0 | 5.04 | 4.92 | 4.80 | 4.68 | 4.56 |
| 10.0 | 8.0 | 5.04 | 4.92 | 4.80 | 4.68 | 4.56 |
| 15.0 | 10.0 | 5.04 | 4.92 | 4.80 | 4.68 | 4.56 |
| 20.0 | 15.0 | 5.04 | 4.92 | 4.80 | 4.68 | 4.56 |
| 24.0 | 18.0 | 5.04 | 4.92 | 4.80 | 4.68 | 4.56 |

Model: ARXG14KLLAP

| Outdoor temperature | | Indoor temperature (°CDB) | | | | |
|---------------------|--------|---------------------------|------|------|------|------|
| | | 16.0 | 18.0 | 20.0 | 22.0 | 24.0 |
| (°CDB) | (°CWB) | TC | TC | TC | TC | TC |
| -15.0 | -16.0 | 3.65 | 3.56 | 3.47 | 3.39 | 3.30 |
| -10.0 | -11.0 | 4.23 | 4.13 | 4.03 | 3.93 | 3.83 |
| -5.0 | -7.0 | 4.47 | 4.36 | 4.26 | 4.15 | 4.04 |
| 0.0 | -2.0 | 5.12 | 4.99 | 4.87 | 4.75 | 4.63 |
| 5.0 | 3.0 | 5.88 | 5.74 | 5.60 | 5.46 | 5.32 |
| 7.0 | 6.0 | 5.88 | 5.74 | 5.60 | 5.46 | 5.32 |
| 10.0 | 8.0 | 5.88 | 5.74 | 5.60 | 5.46 | 5.32 |
| 15.0 | 10.0 | 5.88 | 5.74 | 5.60 | 5.46 | 5.32 |
| 20.0 | 15.0 | 5.88 | 5.74 | 5.60 | 5.46 | 5.32 |
| 24.0 | 18.0 | 5.88 | 5.74 | 5.60 | 5.46 | 5.32 |

Model: ARXG18KLLAP

| Outdoor temperature | | Indoor temperature (°CDB) | | | | |
|---------------------|--------|---------------------------|------|------|------|------|
| | | 16.0 | 18.0 | 20.0 | 22.0 | 24.0 |
| (°CDB) | (°CWB) | TC | TC | TC | TC | TC |
| -15.0 | -16.0 | 4.39 | 4.29 | 4.19 | 4.08 | 3.98 |
| -10.0 | -11.0 | 5.10 | 4.98 | 4.86 | 4.74 | 4.62 |
| -5.0 | -7.0 | 5.39 | 5.26 | 5.13 | 5.00 | 4.87 |
| 0.0 | -2.0 | 6.17 | 6.02 | 5.87 | 5.73 | 5.58 |
| 5.0 | 3.0 | 7.09 | 6.92 | 6.75 | 6.58 | 6.41 |
| 7.0 | 6.0 | 7.09 | 6.92 | 6.75 | 6.58 | 6.41 |
| 10.0 | 8.0 | 7.09 | 6.92 | 6.75 | 6.58 | 6.41 |
| 15.0 | 10.0 | 7.09 | 6.92 | 6.75 | 6.58 | 6.41 |
| 20.0 | 15.0 | 7.09 | 6.92 | 6.75 | 6.58 | 6.41 |
| 24.0 | 18.0 | 7.09 | 6.92 | 6.75 | 6.58 | 6.41 |

NOTES:

- TC: Total Capacity (kW)
- Values mentioned in the table are based on the following conditions:
 - Pipe length: 5 m, Height difference: 0 m (Outdoor unit—Indoor unit)

● Medium static pressure duct type**Model: ARXG22KMLB**

| Outdoor temperature | | Indoor temperature (°CDB) | | | | |
|---------------------|--------|---------------------------|------|------|------|------|
| | | 16.0 | 18.0 | 20.0 | 22.0 | 24.0 |
| (°CDB) | (°CWB) | TC | TC | TC | TC | TC |
| -15.0 | -16.0 | 5.55 | 5.41 | 5.28 | 5.15 | 5.02 |
| -10.0 | -11.0 | 6.44 | 6.29 | 6.13 | 5.98 | 5.83 |
| -5.0 | -7.0 | 6.80 | 6.64 | 6.48 | 6.31 | 6.15 |
| 0.0 | -2.0 | 7.78 | 7.60 | 7.41 | 7.23 | 7.04 |
| 5.0 | 3.0 | 8.95 | 8.73 | 8.52 | 8.31 | 8.09 |
| 7.0 | 6.0 | 8.95 | 8.73 | 8.52 | 8.31 | 8.09 |
| 10.0 | 8.0 | 8.95 | 8.73 | 8.52 | 8.31 | 8.09 |
| 15.0 | 10.0 | 8.95 | 8.73 | 8.52 | 8.31 | 8.09 |
| 20.0 | 15.0 | 8.95 | 8.73 | 8.52 | 8.31 | 8.09 |
| 24.0 | 18.0 | 8.95 | 8.73 | 8.52 | 8.31 | 8.09 |

Model: ARXH22KMTAP

| Outdoor temperature | | Indoor temperature (°CDB) | | | | |
|---------------------|--------|---------------------------|------|------|------|------|
| | | 16.0 | 18.0 | 20.0 | 22.0 | 24.0 |
| (°CDB) | (°CWB) | TC | TC | TC | TC | TC |
| -15.0 | -16.0 | 5.55 | 5.41 | 5.28 | 5.15 | 5.02 |
| -10.0 | -11.0 | 6.44 | 6.29 | 6.13 | 5.98 | 5.83 |
| -5.0 | -7.0 | 6.80 | 6.64 | 6.48 | 6.31 | 6.15 |
| 0.0 | -2.0 | 7.78 | 7.60 | 7.41 | 7.23 | 7.04 |
| 5.0 | 3.0 | 8.95 | 8.73 | 8.52 | 8.31 | 8.09 |
| 7.0 | 6.0 | 8.95 | 8.73 | 8.52 | 8.31 | 8.09 |
| 10.0 | 8.0 | 8.95 | 8.73 | 8.52 | 8.31 | 8.09 |
| 15.0 | 10.0 | 8.95 | 8.73 | 8.52 | 8.31 | 8.09 |
| 20.0 | 15.0 | 8.95 | 8.73 | 8.52 | 8.31 | 8.09 |
| 24.0 | 18.0 | 8.95 | 8.73 | 8.52 | 8.31 | 8.09 |

NOTES:

- TC: Total Capacity (kW)
- Values mentioned in the table are based on the following conditions:
 - Pipe length: 5 m, Height difference: 0 m (Outdoor unit—Indoor unit)

● Wall mounted type

Model: ASYG07KGTB

| Outdoor temperature | | Indoor temperature (°CDB) | | | | |
|---------------------|--------|---------------------------|------|------|------|------|
| | | 16.0 | 18.0 | 20.0 | 22.0 | 24.0 |
| (°CDB) | (°CWB) | TC | TC | TC | TC | TC |
| -15.0 | -16.0 | 1.82 | 1.78 | 1.74 | 1.69 | 1.65 |
| -10.0 | -11.0 | 2.12 | 2.07 | 2.02 | 1.97 | 1.92 |
| -5.0 | -7.0 | 2.23 | 2.18 | 2.13 | 2.07 | 2.02 |
| 0.0 | -2.0 | 2.56 | 2.50 | 2.44 | 2.38 | 2.31 |
| 5.0 | 3.0 | 2.94 | 2.87 | 2.80 | 2.73 | 2.66 |
| 7.0 | 6.0 | 2.94 | 2.87 | 2.80 | 2.73 | 2.66 |
| 10.0 | 8.0 | 2.94 | 2.87 | 2.80 | 2.73 | 2.66 |
| 15.0 | 10.0 | 2.94 | 2.87 | 2.80 | 2.73 | 2.66 |
| 20.0 | 15.0 | 2.94 | 2.87 | 2.80 | 2.73 | 2.66 |
| 24.0 | 18.0 | 2.94 | 2.87 | 2.80 | 2.73 | 2.66 |

Model: ASYG09KGTB

| Outdoor temperature | | Indoor temperature (°CDB) | | | | |
|---------------------|--------|---------------------------|------|------|------|------|
| | | 16.0 | 18.0 | 20.0 | 22.0 | 24.0 |
| (°CDB) | (°CWB) | TC | TC | TC | TC | TC |
| -15.0 | -16.0 | 2.34 | 2.29 | 2.23 | 2.18 | 2.12 |
| -10.0 | -11.0 | 2.72 | 2.66 | 2.59 | 2.53 | 2.46 |
| -5.0 | -7.0 | 2.87 | 2.80 | 2.74 | 2.67 | 2.60 |
| 0.0 | -2.0 | 3.29 | 3.21 | 3.13 | 3.05 | 2.98 |
| 5.0 | 3.0 | 3.78 | 3.69 | 3.60 | 3.51 | 3.42 |
| 7.0 | 6.0 | 3.78 | 3.69 | 3.60 | 3.51 | 3.42 |
| 10.0 | 8.0 | 3.78 | 3.69 | 3.60 | 3.51 | 3.42 |
| 15.0 | 10.0 | 3.78 | 3.69 | 3.60 | 3.51 | 3.42 |
| 20.0 | 15.0 | 3.78 | 3.69 | 3.60 | 3.51 | 3.42 |
| 24.0 | 18.0 | 3.78 | 3.69 | 3.60 | 3.51 | 3.42 |

Model: ASYG12KGTB

| Outdoor temperature | | Indoor temperature (°CDB) | | | | |
|---------------------|--------|---------------------------|------|------|------|------|
| | | 16.0 | 18.0 | 20.0 | 22.0 | 24.0 |
| (°CDB) | (°CWB) | TC | TC | TC | TC | TC |
| -15.0 | -16.0 | 3.12 | 3.05 | 2.98 | 2.90 | 2.83 |
| -10.0 | -11.0 | 3.63 | 3.54 | 3.46 | 3.37 | 3.28 |
| -5.0 | -7.0 | 3.83 | 3.74 | 3.65 | 3.56 | 3.47 |
| 0.0 | -2.0 | 4.38 | 4.28 | 4.18 | 4.07 | 3.97 |
| 5.0 | 3.0 | 5.04 | 4.92 | 4.80 | 4.68 | 4.56 |
| 7.0 | 6.0 | 5.04 | 4.92 | 4.80 | 4.68 | 4.56 |
| 10.0 | 8.0 | 5.04 | 4.92 | 4.80 | 4.68 | 4.56 |
| 15.0 | 10.0 | 5.04 | 4.92 | 4.80 | 4.68 | 4.56 |
| 20.0 | 15.0 | 5.04 | 4.92 | 4.80 | 4.68 | 4.56 |
| 24.0 | 18.0 | 5.04 | 4.92 | 4.80 | 4.68 | 4.56 |

Model: ASYG14KGTB

| Outdoor temperature | | Indoor temperature (°CDB) | | | | |
|---------------------|--------|---------------------------|------|------|------|------|
| | | 16.0 | 18.0 | 20.0 | 22.0 | 24.0 |
| (°CDB) | (°CWB) | TC | TC | TC | TC | TC |
| -15.0 | -16.0 | 3.65 | 3.56 | 3.47 | 3.39 | 3.30 |
| -10.0 | -11.0 | 4.23 | 4.13 | 4.03 | 3.93 | 3.83 |
| -5.0 | -7.0 | 4.47 | 4.36 | 4.26 | 4.15 | 4.04 |
| 0.0 | -2.0 | 5.12 | 4.99 | 4.87 | 4.75 | 4.63 |
| 5.0 | 3.0 | 5.88 | 5.74 | 5.60 | 5.46 | 5.32 |
| 7.0 | 6.0 | 5.88 | 5.74 | 5.60 | 5.46 | 5.32 |
| 10.0 | 8.0 | 5.88 | 5.74 | 5.60 | 5.46 | 5.32 |
| 15.0 | 10.0 | 5.88 | 5.74 | 5.60 | 5.46 | 5.32 |
| 20.0 | 15.0 | 5.88 | 5.74 | 5.60 | 5.46 | 5.32 |
| 24.0 | 18.0 | 5.88 | 5.74 | 5.60 | 5.46 | 5.32 |

Model: ASYG07KGTE

| Outdoor temperature | | Indoor temperature (°CDB) | | | | |
|---------------------|--------|---------------------------|------|------|------|------|
| | | 16.0 | 18.0 | 20.0 | 22.0 | 24.0 |
| (°CDB) | (°CWB) | TC | TC | TC | TC | TC |
| -15.0 | -16.0 | 1.82 | 1.78 | 1.74 | 1.69 | 1.65 |
| -10.0 | -11.0 | 2.12 | 2.07 | 2.02 | 1.97 | 1.92 |
| -5.0 | -7.0 | 2.23 | 2.18 | 2.13 | 2.07 | 2.02 |
| 0.0 | -2.0 | 2.56 | 2.50 | 2.44 | 2.38 | 2.31 |
| 5.0 | 3.0 | 2.94 | 2.87 | 2.80 | 2.73 | 2.66 |
| 7.0 | 6.0 | 2.94 | 2.87 | 2.80 | 2.73 | 2.66 |
| 10.0 | 8.0 | 2.94 | 2.87 | 2.80 | 2.73 | 2.66 |
| 15.0 | 10.0 | 2.94 | 2.87 | 2.80 | 2.73 | 2.66 |
| 20.0 | 15.0 | 2.94 | 2.87 | 2.80 | 2.73 | 2.66 |
| 24.0 | 18.0 | 2.94 | 2.87 | 2.80 | 2.73 | 2.66 |

Model: ASYG09KGTE

| Outdoor temperature | | Indoor temperature (°CDB) | | | | |
|---------------------|--------|---------------------------|------|------|------|------|
| | | 16.0 | 18.0 | 20.0 | 22.0 | 24.0 |
| (°CDB) | (°CWB) | TC | TC | TC | TC | TC |
| -15.0 | -16.0 | 2.34 | 2.29 | 2.23 | 2.18 | 2.12 |
| -10.0 | -11.0 | 2.72 | 2.66 | 2.59 | 2.53 | 2.46 |
| -5.0 | -7.0 | 2.87 | 2.80 | 2.74 | 2.67 | 2.60 |
| 0.0 | -2.0 | 3.29 | 3.21 | 3.13 | 3.05 | 2.98 |
| 5.0 | 3.0 | 3.78 | 3.69 | 3.60 | 3.51 | 3.42 |
| 7.0 | 6.0 | 3.78 | 3.69 | 3.60 | 3.51 | 3.42 |
| 10.0 | 8.0 | 3.78 | 3.69 | 3.60 | 3.51 | 3.42 |
| 15.0 | 10.0 | 3.78 | 3.69 | 3.60 | 3.51 | 3.42 |
| 20.0 | 15.0 | 3.78 | 3.69 | 3.60 | 3.51 | 3.42 |
| 24.0 | 18.0 | 3.78 | 3.69 | 3.60 | 3.51 | 3.42 |

Model: ASYG12KGTE

| Outdoor temperature | | Indoor temperature (°CDB) | | | | |
|---------------------|--------|---------------------------|------|------|------|------|
| | | 16.0 | 18.0 | 20.0 | 22.0 | 24.0 |
| (°CDB) | (°CWB) | TC | TC | TC | TC | TC |
| -15.0 | -16.0 | 3.12 | 3.05 | 2.98 | 2.90 | 2.83 |
| -10.0 | -11.0 | 3.63 | 3.54 | 3.46 | 3.37 | 3.28 |
| -5.0 | -7.0 | 3.83 | 3.74 | 3.65 | 3.56 | 3.47 |
| 0.0 | -2.0 | 4.38 | 4.28 | 4.18 | 4.07 | 3.97 |
| 5.0 | 3.0 | 5.04 | 4.92 | 4.80 | 4.68 | 4.56 |
| 7.0 | 6.0 | 5.04 | 4.92 | 4.80 | 4.68 | 4.56 |
| 10.0 | 8.0 | 5.04 | 4.92 | 4.80 | 4.68 | 4.56 |
| 15.0 | 10.0 | 5.04 | 4.92 | 4.80 | 4.68 | 4.56 |
| 20.0 | 15.0 | 5.04 | 4.92 | 4.80 | 4.68 | 4.56 |
| 24.0 | 18.0 | 5.04 | 4.92 | 4.80 | 4.68 | 4.56 |

Model: ASYG14KGTE

| Outdoor temperature | | Indoor temperature (°CDB) | | | | |
|---------------------|--------|---------------------------|------|------|------|------|
| | | 16.0 | 18.0 | 20.0 | 22.0 | 24.0 |
| (°CDB) | (°CWB) | TC | TC | TC | TC | TC |
| -15.0 | -16.0 | 3.65 | 3.56 | 3.47 | 3.39 | 3.30 |
| -10.0 | -11.0 | 4.23 | 4.13 | 4.03 | 3.93 | 3.83 |
| -5.0 | -7.0 | 4.47 | 4.36 | 4.26 | 4.15 | 4.04 |
| 0.0 | -2.0 | 5.12 | 4.99 | 4.87 | 4.75 | 4.63 |
| 5.0 | 3.0 | 5.88 | 5.74 | 5.60 | 5.46 | 5.32 |
| 7.0 | 6.0 | 5.88 | 5.74 | 5.60 | 5.46 | 5.32 |
| 10.0 | 8.0 | 5.88 | 5.74 | 5.60 | 5.46 | 5.32 |
| 15.0 | 10.0 | 5.88 | 5.74 | 5.60 | 5.46 | 5.32 |
| 20.0 | 15.0 | 5.88 | 5.74 | 5.60 | 5.46 | 5.32 |
| 24.0 | 18.0 | 5.88 | 5.74 | 5.60 | 5.46 | 5.32 |

Model: ASYG07KGTF

| Outdoor temperature | | Indoor temperature (°CDB) | | | | |
|---------------------|--------|---------------------------|------|------|------|------|
| | | 16.0 | 18.0 | 20.0 | 22.0 | 24.0 |
| (°CDB) | (°CWB) | TC | TC | TC | TC | TC |
| -15.0 | -16.0 | 1.82 | 1.78 | 1.74 | 1.69 | 1.65 |
| -10.0 | -11.0 | 2.12 | 2.07 | 2.02 | 1.97 | 1.92 |
| -5.0 | -7.0 | 2.23 | 2.18 | 2.13 | 2.07 | 2.02 |
| 0.0 | -2.0 | 2.56 | 2.50 | 2.44 | 2.38 | 2.31 |
| 5.0 | 3.0 | 2.94 | 2.87 | 2.80 | 2.73 | 2.66 |
| 7.0 | 6.0 | 2.94 | 2.87 | 2.80 | 2.73 | 2.66 |
| 10.0 | 8.0 | 2.94 | 2.87 | 2.80 | 2.73 | 2.66 |
| 15.0 | 10.0 | 2.94 | 2.87 | 2.80 | 2.73 | 2.66 |
| 20.0 | 15.0 | 2.94 | 2.87 | 2.80 | 2.73 | 2.66 |
| 24.0 | 18.0 | 2.94 | 2.87 | 2.80 | 2.73 | 2.66 |

Model: ASYG09KGTF

| Outdoor temperature | | Indoor temperature (°CDB) | | | | |
|---------------------|--------|---------------------------|------|------|------|------|
| | | 16.0 | 18.0 | 20.0 | 22.0 | 24.0 |
| (°CDB) | (°CWB) | TC | TC | TC | TC | TC |
| -15.0 | -16.0 | 2.34 | 2.29 | 2.23 | 2.18 | 2.12 |
| -10.0 | -11.0 | 2.72 | 2.66 | 2.59 | 2.53 | 2.46 |
| -5.0 | -7.0 | 2.87 | 2.80 | 2.74 | 2.67 | 2.60 |
| 0.0 | -2.0 | 3.29 | 3.21 | 3.13 | 3.05 | 2.98 |
| 5.0 | 3.0 | 3.78 | 3.69 | 3.60 | 3.51 | 3.42 |
| 7.0 | 6.0 | 3.78 | 3.69 | 3.60 | 3.51 | 3.42 |
| 10.0 | 8.0 | 3.78 | 3.69 | 3.60 | 3.51 | 3.42 |
| 15.0 | 10.0 | 3.78 | 3.69 | 3.60 | 3.51 | 3.42 |
| 20.0 | 15.0 | 3.78 | 3.69 | 3.60 | 3.51 | 3.42 |
| 24.0 | 18.0 | 3.78 | 3.69 | 3.60 | 3.51 | 3.42 |

Model: ASYG12KGTF

| Outdoor temperature | | Indoor temperature (°CDB) | | | | |
|---------------------|--------|---------------------------|------|------|------|------|
| | | 16.0 | 18.0 | 20.0 | 22.0 | 24.0 |
| (°CDB) | (°CWB) | TC | TC | TC | TC | TC |
| -15.0 | -16.0 | 3.12 | 3.05 | 2.98 | 2.90 | 2.83 |
| -10.0 | -11.0 | 3.63 | 3.54 | 3.46 | 3.37 | 3.28 |
| -5.0 | -7.0 | 3.83 | 3.74 | 3.65 | 3.56 | 3.47 |
| 0.0 | -2.0 | 4.38 | 4.28 | 4.18 | 4.07 | 3.97 |
| 5.0 | 3.0 | 5.04 | 4.92 | 4.80 | 4.68 | 4.56 |
| 7.0 | 6.0 | 5.04 | 4.92 | 4.80 | 4.68 | 4.56 |
| 10.0 | 8.0 | 5.04 | 4.92 | 4.80 | 4.68 | 4.56 |
| 15.0 | 10.0 | 5.04 | 4.92 | 4.80 | 4.68 | 4.56 |
| 20.0 | 15.0 | 5.04 | 4.92 | 4.80 | 4.68 | 4.56 |
| 24.0 | 18.0 | 5.04 | 4.92 | 4.80 | 4.68 | 4.56 |

Model: ASYG14KGTF

| Outdoor temperature | | Indoor temperature (°CDB) | | | | |
|---------------------|--------|---------------------------|------|------|------|------|
| | | 16.0 | 18.0 | 20.0 | 22.0 | 24.0 |
| (°CDB) | (°CWB) | TC | TC | TC | TC | TC |
| -15.0 | -16.0 | 3.65 | 3.56 | 3.47 | 3.39 | 3.30 |
| -10.0 | -11.0 | 4.23 | 4.13 | 4.03 | 3.93 | 3.83 |
| -5.0 | -7.0 | 4.47 | 4.36 | 4.26 | 4.15 | 4.04 |
| 0.0 | -2.0 | 5.12 | 4.99 | 4.87 | 4.75 | 4.63 |
| 5.0 | 3.0 | 5.88 | 5.74 | 5.60 | 5.46 | 5.32 |
| 7.0 | 6.0 | 5.88 | 5.74 | 5.60 | 5.46 | 5.32 |
| 10.0 | 8.0 | 5.88 | 5.74 | 5.60 | 5.46 | 5.32 |
| 15.0 | 10.0 | 5.88 | 5.74 | 5.60 | 5.46 | 5.32 |
| 20.0 | 15.0 | 5.88 | 5.74 | 5.60 | 5.46 | 5.32 |
| 24.0 | 18.0 | 5.88 | 5.74 | 5.60 | 5.46 | 5.32 |

Model: ASYG18KMTB

| Outdoor temperature | | Indoor temperature (°CDB) | | | | |
|---------------------|--------|---------------------------|------|------|------|------|
| | | 16.0 | 18.0 | 20.0 | 22.0 | 24.0 |
| (°CDB) | (°CWB) | TC | TC | TC | TC | TC |
| -15.0 | -16.0 | 4.39 | 4.29 | 4.19 | 4.08 | 3.98 |
| -10.0 | -11.0 | 5.10 | 4.98 | 4.86 | 4.74 | 4.62 |
| -5.0 | -7.0 | 5.39 | 5.26 | 5.13 | 5.00 | 4.87 |
| 0.0 | -2.0 | 6.17 | 6.02 | 5.87 | 5.73 | 5.58 |
| 5.0 | 3.0 | 7.09 | 6.92 | 6.75 | 6.58 | 6.41 |
| 7.0 | 6.0 | 7.09 | 6.92 | 6.75 | 6.58 | 6.41 |
| 10.0 | 8.0 | 7.09 | 6.92 | 6.75 | 6.58 | 6.41 |
| 15.0 | 10.0 | 7.09 | 6.92 | 6.75 | 6.58 | 6.41 |
| 20.0 | 15.0 | 7.09 | 6.92 | 6.75 | 6.58 | 6.41 |
| 24.0 | 18.0 | 7.09 | 6.92 | 6.75 | 6.58 | 6.41 |

Model: ASYG22KMTB

| Outdoor temperature | | Indoor temperature (°CDB) | | | | |
|---------------------|--------|---------------------------|------|------|------|------|
| | | 16.0 | 18.0 | 20.0 | 22.0 | 24.0 |
| (°CDB) | (°CWB) | TC | TC | TC | TC | TC |
| -15.0 | -16.0 | 5.55 | 5.41 | 5.28 | 5.15 | 5.02 |
| -10.0 | -11.0 | 6.44 | 6.29 | 6.13 | 5.98 | 5.83 |
| -5.0 | -7.0 | 6.80 | 6.64 | 6.48 | 6.31 | 6.15 |
| 0.0 | -2.0 | 7.78 | 7.60 | 7.41 | 7.23 | 7.04 |
| 5.0 | 3.0 | 8.95 | 8.73 | 8.52 | 8.31 | 8.09 |
| 7.0 | 6.0 | 8.95 | 8.73 | 8.52 | 8.31 | 8.09 |
| 10.0 | 8.0 | 8.95 | 8.73 | 8.52 | 8.31 | 8.09 |
| 15.0 | 10.0 | 8.95 | 8.73 | 8.52 | 8.31 | 8.09 |
| 20.0 | 15.0 | 8.95 | 8.73 | 8.52 | 8.31 | 8.09 |
| 24.0 | 18.0 | 8.95 | 8.73 | 8.52 | 8.31 | 8.09 |

Model: ASYG24KMTB

| Outdoor temperature | | Indoor temperature (°CDB) | | | | |
|---------------------|--------|---------------------------|------|------|------|------|
| | | 16.0 | 18.0 | 20.0 | 22.0 | 24.0 |
| (°CDB) | (°CWB) | TC | TC | TC | TC | TC |
| -15.0 | -16.0 | 6.05 | 5.90 | 5.76 | 5.62 | 5.47 |
| -10.0 | -11.0 | 7.02 | 6.86 | 6.69 | 6.52 | 6.35 |
| -5.0 | -7.0 | 7.41 | 7.24 | 7.06 | 6.88 | 6.71 |
| 0.0 | -2.0 | 8.49 | 8.28 | 8.08 | 7.88 | 7.68 |
| 5.0 | 3.0 | 9.75 | 9.52 | 9.29 | 9.06 | 8.83 |
| 7.0 | 6.0 | 9.75 | 9.52 | 9.29 | 9.06 | 8.83 |
| 10.0 | 8.0 | 9.75 | 9.52 | 9.29 | 9.06 | 8.83 |
| 15.0 | 10.0 | 9.75 | 9.52 | 9.29 | 9.06 | 8.83 |
| 20.0 | 15.0 | 9.75 | 9.52 | 9.29 | 9.06 | 8.83 |
| 24.0 | 18.0 | 9.75 | 9.52 | 9.29 | 9.06 | 8.83 |

Model: ASYG18KMTE

| Outdoor temperature | | Indoor temperature (°CDB) | | | | |
|---------------------|--------|---------------------------|------|------|------|------|
| | | 16.0 | 18.0 | 20.0 | 22.0 | 24.0 |
| (°CDB) | (°CWB) | TC | TC | TC | TC | TC |
| -15.0 | -16.0 | 4.39 | 4.29 | 4.19 | 4.08 | 3.98 |
| -10.0 | -11.0 | 5.10 | 4.98 | 4.86 | 4.74 | 4.62 |
| -5.0 | -7.0 | 5.39 | 5.26 | 5.13 | 5.00 | 4.87 |
| 0.0 | -2.0 | 6.17 | 6.02 | 5.87 | 5.73 | 5.58 |
| 5.0 | 3.0 | 7.09 | 6.92 | 6.75 | 6.58 | 6.41 |
| 7.0 | 6.0 | 7.09 | 6.92 | 6.75 | 6.58 | 6.41 |
| 10.0 | 8.0 | 7.09 | 6.92 | 6.75 | 6.58 | 6.41 |
| 15.0 | 10.0 | 7.09 | 6.92 | 6.75 | 6.58 | 6.41 |
| 20.0 | 15.0 | 7.09 | 6.92 | 6.75 | 6.58 | 6.41 |
| 24.0 | 18.0 | 7.09 | 6.92 | 6.75 | 6.58 | 6.41 |

Model: ASYG22KMTE

| Outdoor temperature | | Indoor temperature (°CDB) | | | | |
|---------------------|--------|---------------------------|------|------|------|------|
| | | 16.0 | 18.0 | 20.0 | 22.0 | 24.0 |
| (°CDB) | (°CWB) | TC | TC | TC | TC | TC |
| -15.0 | -16.0 | 5.55 | 5.41 | 5.28 | 5.15 | 5.02 |
| -10.0 | -11.0 | 6.44 | 6.29 | 6.13 | 5.98 | 5.83 |
| -5.0 | -7.0 | 6.80 | 6.64 | 6.48 | 6.31 | 6.15 |
| 0.0 | -2.0 | 7.78 | 7.60 | 7.41 | 7.23 | 7.04 |
| 5.0 | 3.0 | 8.95 | 8.73 | 8.52 | 8.31 | 8.09 |
| 7.0 | 6.0 | 8.95 | 8.73 | 8.52 | 8.31 | 8.09 |
| 10.0 | 8.0 | 8.95 | 8.73 | 8.52 | 8.31 | 8.09 |
| 15.0 | 10.0 | 8.95 | 8.73 | 8.52 | 8.31 | 8.09 |
| 20.0 | 15.0 | 8.95 | 8.73 | 8.52 | 8.31 | 8.09 |
| 24.0 | 18.0 | 8.95 | 8.73 | 8.52 | 8.31 | 8.09 |

Model: ASYG24KMTE

| Outdoor temperature | | Indoor temperature (°CDB) | | | | |
|---------------------|--------|---------------------------|------|------|------|------|
| | | 16.0 | 18.0 | 20.0 | 22.0 | 24.0 |
| (°CDB) | (°CWB) | TC | TC | TC | TC | TC |
| -15.0 | -16.0 | 6.05 | 5.90 | 5.76 | 5.62 | 5.47 |
| -10.0 | -11.0 | 7.02 | 6.86 | 6.69 | 6.52 | 6.35 |
| -5.0 | -7.0 | 7.41 | 7.24 | 7.06 | 6.88 | 6.71 |
| 0.0 | -2.0 | 8.49 | 8.28 | 8.08 | 7.88 | 7.68 |
| 5.0 | 3.0 | 9.75 | 9.52 | 9.29 | 9.06 | 8.83 |
| 7.0 | 6.0 | 9.75 | 9.52 | 9.29 | 9.06 | 8.83 |
| 10.0 | 8.0 | 9.75 | 9.52 | 9.29 | 9.06 | 8.83 |
| 15.0 | 10.0 | 9.75 | 9.52 | 9.29 | 9.06 | 8.83 |
| 20.0 | 15.0 | 9.75 | 9.52 | 9.29 | 9.06 | 8.83 |
| 24.0 | 18.0 | 9.75 | 9.52 | 9.29 | 9.06 | 8.83 |

Model: ASYG07KMTB

| Outdoor temperature | | Indoor temperature (°CDB) | | | | |
|---------------------|--------|---------------------------|------|------|------|------|
| | | 16.0 | 18.0 | 20.0 | 22.0 | 24.0 |
| (°CDB) | (°CWB) | TC | TC | TC | TC | TC |
| -15.0 | -16.0 | 1.82 | 1.78 | 1.74 | 1.69 | 1.65 |
| -10.0 | -11.0 | 2.12 | 2.07 | 2.02 | 1.97 | 1.92 |
| -5.0 | -7.0 | 2.23 | 2.18 | 2.13 | 2.07 | 2.02 |
| 0.0 | -2.0 | 2.56 | 2.50 | 2.44 | 2.38 | 2.31 |
| 5.0 | 3.0 | 2.94 | 2.87 | 2.80 | 2.73 | 2.66 |
| 7.0 | 6.0 | 2.94 | 2.87 | 2.80 | 2.73 | 2.66 |
| 10.0 | 8.0 | 2.94 | 2.87 | 2.80 | 2.73 | 2.66 |
| 15.0 | 10.0 | 2.94 | 2.87 | 2.80 | 2.73 | 2.66 |
| 20.0 | 15.0 | 2.94 | 2.87 | 2.80 | 2.73 | 2.66 |
| 24.0 | 18.0 | 2.94 | 2.87 | 2.80 | 2.73 | 2.66 |

Model: ASYG09KMTB

| Outdoor temperature | | Indoor temperature (°CDB) | | | | |
|---------------------|--------|---------------------------|------|------|------|------|
| | | 16.0 | 18.0 | 20.0 | 22.0 | 24.0 |
| (°CDB) | (°CWB) | TC | TC | TC | TC | TC |
| -15.0 | -16.0 | 2.34 | 2.29 | 2.23 | 2.18 | 2.12 |
| -10.0 | -11.0 | 2.72 | 2.66 | 2.59 | 2.53 | 2.46 |
| -5.0 | -7.0 | 2.87 | 2.80 | 2.74 | 2.67 | 2.60 |
| 0.0 | -2.0 | 3.29 | 3.21 | 3.13 | 3.05 | 2.98 |
| 5.0 | 3.0 | 3.78 | 3.69 | 3.60 | 3.51 | 3.42 |
| 7.0 | 6.0 | 3.78 | 3.69 | 3.60 | 3.51 | 3.42 |
| 10.0 | 8.0 | 3.78 | 3.69 | 3.60 | 3.51 | 3.42 |
| 15.0 | 10.0 | 3.78 | 3.69 | 3.60 | 3.51 | 3.42 |
| 20.0 | 15.0 | 3.78 | 3.69 | 3.60 | 3.51 | 3.42 |
| 24.0 | 18.0 | 3.78 | 3.69 | 3.60 | 3.51 | 3.42 |

Model: ASYG12KMTB

| Outdoor temperature | | Indoor temperature (°CDB) | | | | |
|---------------------|--------|---------------------------|------|------|------|------|
| | | 16.0 | 18.0 | 20.0 | 22.0 | 24.0 |
| (°CDB) | (°CWB) | TC | TC | TC | TC | TC |
| -15.0 | -16.0 | 3.12 | 3.05 | 2.98 | 2.90 | 2.83 |
| -10.0 | -11.0 | 3.63 | 3.54 | 3.46 | 3.37 | 3.28 |
| -5.0 | -7.0 | 3.83 | 3.74 | 3.65 | 3.56 | 3.47 |
| 0.0 | -2.0 | 4.38 | 4.28 | 4.18 | 4.07 | 3.97 |
| 5.0 | 3.0 | 5.04 | 4.92 | 4.80 | 4.68 | 4.56 |
| 7.0 | 6.0 | 5.04 | 4.92 | 4.80 | 4.68 | 4.56 |
| 10.0 | 8.0 | 5.04 | 4.92 | 4.80 | 4.68 | 4.56 |
| 15.0 | 10.0 | 5.04 | 4.92 | 4.80 | 4.68 | 4.56 |
| 20.0 | 15.0 | 5.04 | 4.92 | 4.80 | 4.68 | 4.56 |
| 24.0 | 18.0 | 5.04 | 4.92 | 4.80 | 4.68 | 4.56 |

Model: ASYG14KMTB

| Outdoor temperature | | Indoor temperature (°CDB) | | | | |
|---------------------|--------|---------------------------|------|------|------|------|
| | | 16.0 | 18.0 | 20.0 | 22.0 | 24.0 |
| (°CDB) | (°CWB) | TC | TC | TC | TC | TC |
| -15.0 | -16.0 | 3.65 | 3.56 | 3.47 | 3.39 | 3.30 |
| -10.0 | -11.0 | 4.23 | 4.13 | 4.03 | 3.93 | 3.83 |
| -5.0 | -7.0 | 4.47 | 4.36 | 4.26 | 4.15 | 4.04 |
| 0.0 | -2.0 | 5.12 | 4.99 | 4.87 | 4.75 | 4.63 |
| 5.0 | 3.0 | 5.88 | 5.74 | 5.60 | 5.46 | 5.32 |
| 7.0 | 6.0 | 5.88 | 5.74 | 5.60 | 5.46 | 5.32 |
| 10.0 | 8.0 | 5.88 | 5.74 | 5.60 | 5.46 | 5.32 |
| 15.0 | 10.0 | 5.88 | 5.74 | 5.60 | 5.46 | 5.32 |
| 20.0 | 15.0 | 5.88 | 5.74 | 5.60 | 5.46 | 5.32 |
| 24.0 | 18.0 | 5.88 | 5.74 | 5.60 | 5.46 | 5.32 |

Model: ASYG07KMCC

| Outdoor temperature | | Indoor temperature (°CDB) | | | | |
|---------------------|--------|---------------------------|------|------|------|------|
| | | 16.0 | 18.0 | 20.0 | 22.0 | 24.0 |
| (°CDB) | (°CWB) | TC | TC | TC | TC | TC |
| -15.0 | -16.0 | 1.82 | 1.78 | 1.74 | 1.69 | 1.65 |
| -10.0 | -11.0 | 2.12 | 2.07 | 2.02 | 1.97 | 1.92 |
| -5.0 | -7.0 | 2.23 | 2.18 | 2.13 | 2.07 | 2.02 |
| 0.0 | -2.0 | 2.56 | 2.50 | 2.44 | 2.38 | 2.31 |
| 5.0 | 3.0 | 2.94 | 2.87 | 2.80 | 2.73 | 2.66 |
| 7.0 | 6.0 | 2.94 | 2.87 | 2.80 | 2.73 | 2.66 |
| 10.0 | 8.0 | 2.94 | 2.87 | 2.80 | 2.73 | 2.66 |
| 15.0 | 10.0 | 2.94 | 2.87 | 2.80 | 2.73 | 2.66 |
| 20.0 | 15.0 | 2.94 | 2.87 | 2.80 | 2.73 | 2.66 |
| 24.0 | 18.0 | 2.94 | 2.87 | 2.80 | 2.73 | 2.66 |

Model: ASYG09KMCC

| Outdoor temperature | | Indoor temperature (°CDB) | | | | |
|---------------------|--------|---------------------------|------|------|------|------|
| | | 16.0 | 18.0 | 20.0 | 22.0 | 24.0 |
| (°CDB) | (°CWB) | TC | TC | TC | TC | TC |
| -15.0 | -16.0 | 2.34 | 2.29 | 2.23 | 2.18 | 2.12 |
| -10.0 | -11.0 | 2.72 | 2.66 | 2.59 | 2.53 | 2.46 |
| -5.0 | -7.0 | 2.87 | 2.80 | 2.74 | 2.67 | 2.60 |
| 0.0 | -2.0 | 3.29 | 3.21 | 3.13 | 3.05 | 2.98 |
| 5.0 | 3.0 | 3.78 | 3.69 | 3.60 | 3.51 | 3.42 |
| 7.0 | 6.0 | 3.78 | 3.69 | 3.60 | 3.51 | 3.42 |
| 10.0 | 8.0 | 3.78 | 3.69 | 3.60 | 3.51 | 3.42 |
| 15.0 | 10.0 | 3.78 | 3.69 | 3.60 | 3.51 | 3.42 |
| 20.0 | 15.0 | 3.78 | 3.69 | 3.60 | 3.51 | 3.42 |
| 24.0 | 18.0 | 3.78 | 3.69 | 3.60 | 3.51 | 3.42 |

Model: ASYG12KMCC

| Outdoor temperature | | Indoor temperature (°CDB) | | | | |
|---------------------|--------|---------------------------|------|------|------|------|
| | | 16.0 | 18.0 | 20.0 | 22.0 | 24.0 |
| (°CDB) | (°CWB) | TC | TC | TC | TC | TC |
| -15.0 | -16.0 | 3.12 | 3.05 | 2.98 | 2.90 | 2.83 |
| -10.0 | -11.0 | 3.63 | 3.54 | 3.46 | 3.37 | 3.28 |
| -5.0 | -7.0 | 3.83 | 3.74 | 3.65 | 3.56 | 3.47 |
| 0.0 | -2.0 | 4.38 | 4.28 | 4.18 | 4.07 | 3.97 |
| 5.0 | 3.0 | 5.04 | 4.92 | 4.80 | 4.68 | 4.56 |
| 7.0 | 6.0 | 5.04 | 4.92 | 4.80 | 4.68 | 4.56 |
| 10.0 | 8.0 | 5.04 | 4.92 | 4.80 | 4.68 | 4.56 |
| 15.0 | 10.0 | 5.04 | 4.92 | 4.80 | 4.68 | 4.56 |
| 20.0 | 15.0 | 5.04 | 4.92 | 4.80 | 4.68 | 4.56 |
| 24.0 | 18.0 | 5.04 | 4.92 | 4.80 | 4.68 | 4.56 |

Model: ASYG14KMCC

| Outdoor temperature | | Indoor temperature (°CDB) | | | | |
|---------------------|--------|---------------------------|------|------|------|------|
| | | 16.0 | 18.0 | 20.0 | 22.0 | 24.0 |
| (°CDB) | (°CWB) | TC | TC | TC | TC | TC |
| -15.0 | -16.0 | 3.65 | 3.56 | 3.47 | 3.39 | 3.30 |
| -10.0 | -11.0 | 4.23 | 4.13 | 4.03 | 3.93 | 3.83 |
| -5.0 | -7.0 | 4.47 | 4.36 | 4.26 | 4.15 | 4.04 |
| 0.0 | -2.0 | 5.12 | 4.99 | 4.87 | 4.75 | 4.63 |
| 5.0 | 3.0 | 5.88 | 5.74 | 5.60 | 5.46 | 5.32 |
| 7.0 | 6.0 | 5.88 | 5.74 | 5.60 | 5.46 | 5.32 |
| 10.0 | 8.0 | 5.88 | 5.74 | 5.60 | 5.46 | 5.32 |
| 15.0 | 10.0 | 5.88 | 5.74 | 5.60 | 5.46 | 5.32 |
| 20.0 | 15.0 | 5.88 | 5.74 | 5.60 | 5.46 | 5.32 |
| 24.0 | 18.0 | 5.88 | 5.74 | 5.60 | 5.46 | 5.32 |

OUTDOOR UNIT
AOYG36KBTAs

OUTDOOR UNIT
AOYG36KBTAs

Model: ASYG07KMCE

| Outdoor temperature | | Indoor temperature (°CDB) | | | | |
|---------------------|--------|---------------------------|------|------|------|------|
| | | 16.0 | 18.0 | 20.0 | 22.0 | 24.0 |
| (°CDB) | (°CWB) | TC | TC | TC | TC | TC |
| -15.0 | -16.0 | 1.82 | 1.78 | 1.74 | 1.69 | 1.65 |
| -10.0 | -11.0 | 2.12 | 2.07 | 2.02 | 1.97 | 1.92 |
| -5.0 | -7.0 | 2.23 | 2.18 | 2.13 | 2.07 | 2.02 |
| 0.0 | -2.0 | 2.56 | 2.50 | 2.44 | 2.38 | 2.31 |
| 5.0 | 3.0 | 2.94 | 2.87 | 2.80 | 2.73 | 2.66 |
| 7.0 | 6.0 | 2.94 | 2.87 | 2.80 | 2.73 | 2.66 |
| 10.0 | 8.0 | 2.94 | 2.87 | 2.80 | 2.73 | 2.66 |
| 15.0 | 10.0 | 2.94 | 2.87 | 2.80 | 2.73 | 2.66 |
| 20.0 | 15.0 | 2.94 | 2.87 | 2.80 | 2.73 | 2.66 |
| 24.0 | 18.0 | 2.94 | 2.87 | 2.80 | 2.73 | 2.66 |

Model: ASYG09KMCE

| Outdoor temperature | | Indoor temperature (°CDB) | | | | |
|---------------------|--------|---------------------------|------|------|------|------|
| | | 16.0 | 18.0 | 20.0 | 22.0 | 24.0 |
| (°CDB) | (°CWB) | TC | TC | TC | TC | TC |
| -15.0 | -16.0 | 2.34 | 2.29 | 2.23 | 2.18 | 2.12 |
| -10.0 | -11.0 | 2.72 | 2.66 | 2.59 | 2.53 | 2.46 |
| -5.0 | -7.0 | 2.87 | 2.80 | 2.74 | 2.67 | 2.60 |
| 0.0 | -2.0 | 3.29 | 3.21 | 3.13 | 3.05 | 2.98 |
| 5.0 | 3.0 | 3.78 | 3.69 | 3.60 | 3.51 | 3.42 |
| 7.0 | 6.0 | 3.78 | 3.69 | 3.60 | 3.51 | 3.42 |
| 10.0 | 8.0 | 3.78 | 3.69 | 3.60 | 3.51 | 3.42 |
| 15.0 | 10.0 | 3.78 | 3.69 | 3.60 | 3.51 | 3.42 |
| 20.0 | 15.0 | 3.78 | 3.69 | 3.60 | 3.51 | 3.42 |
| 24.0 | 18.0 | 3.78 | 3.69 | 3.60 | 3.51 | 3.42 |

Model: ASYG12KMCE

| Outdoor temperature | | Indoor temperature (°CDB) | | | | |
|---------------------|--------|---------------------------|------|------|------|------|
| | | 16.0 | 18.0 | 20.0 | 22.0 | 24.0 |
| (°CDB) | (°CWB) | TC | TC | TC | TC | TC |
| -15.0 | -16.0 | 3.12 | 3.05 | 2.98 | 2.90 | 2.83 |
| -10.0 | -11.0 | 3.63 | 3.54 | 3.46 | 3.37 | 3.28 |
| -5.0 | -7.0 | 3.83 | 3.74 | 3.65 | 3.56 | 3.47 |
| 0.0 | -2.0 | 4.38 | 4.28 | 4.18 | 4.07 | 3.97 |
| 5.0 | 3.0 | 5.04 | 4.92 | 4.80 | 4.68 | 4.56 |
| 7.0 | 6.0 | 5.04 | 4.92 | 4.80 | 4.68 | 4.56 |
| 10.0 | 8.0 | 5.04 | 4.92 | 4.80 | 4.68 | 4.56 |
| 15.0 | 10.0 | 5.04 | 4.92 | 4.80 | 4.68 | 4.56 |
| 20.0 | 15.0 | 5.04 | 4.92 | 4.80 | 4.68 | 4.56 |
| 24.0 | 18.0 | 5.04 | 4.92 | 4.80 | 4.68 | 4.56 |

Model: ASYG14KMCE

| Outdoor temperature | | Indoor temperature (°CDB) | | | | |
|---------------------|--------|---------------------------|------|------|------|------|
| | | 16.0 | 18.0 | 20.0 | 22.0 | 24.0 |
| (°CDB) | (°CWB) | TC | TC | TC | TC | TC |
| -15.0 | -16.0 | 3.65 | 3.56 | 3.47 | 3.39 | 3.30 |
| -10.0 | -11.0 | 4.23 | 4.13 | 4.03 | 3.93 | 3.83 |
| -5.0 | -7.0 | 4.47 | 4.36 | 4.26 | 4.15 | 4.04 |
| 0.0 | -2.0 | 5.12 | 4.99 | 4.87 | 4.75 | 4.63 |
| 5.0 | 3.0 | 5.88 | 5.74 | 5.60 | 5.46 | 5.32 |
| 7.0 | 6.0 | 5.88 | 5.74 | 5.60 | 5.46 | 5.32 |
| 10.0 | 8.0 | 5.88 | 5.74 | 5.60 | 5.46 | 5.32 |
| 15.0 | 10.0 | 5.88 | 5.74 | 5.60 | 5.46 | 5.32 |
| 20.0 | 15.0 | 5.88 | 5.74 | 5.60 | 5.46 | 5.32 |
| 24.0 | 18.0 | 5.88 | 5.74 | 5.60 | 5.46 | 5.32 |

OUTDOOR UNIT
AOYG36KBTAs

OUTDOOR UNIT
AOYG36KBTAs

Model: ASYG07KMCF

| Outdoor temperature | | Indoor temperature (°CDB) | | | | |
|---------------------|--------|---------------------------|------|------|------|------|
| | | 16.0 | 18.0 | 20.0 | 22.0 | 24.0 |
| (°CDB) | (°CWB) | TC | TC | TC | TC | TC |
| -15.0 | -16.0 | 1.82 | 1.78 | 1.74 | 1.69 | 1.65 |
| -10.0 | -11.0 | 2.12 | 2.07 | 2.02 | 1.97 | 1.92 |
| -5.0 | -7.0 | 2.23 | 2.18 | 2.13 | 2.07 | 2.02 |
| 0.0 | -2.0 | 2.56 | 2.50 | 2.44 | 2.38 | 2.31 |
| 5.0 | 3.0 | 2.94 | 2.87 | 2.80 | 2.73 | 2.66 |
| 7.0 | 6.0 | 2.94 | 2.87 | 2.80 | 2.73 | 2.66 |
| 10.0 | 8.0 | 2.94 | 2.87 | 2.80 | 2.73 | 2.66 |
| 15.0 | 10.0 | 2.94 | 2.87 | 2.80 | 2.73 | 2.66 |
| 20.0 | 15.0 | 2.94 | 2.87 | 2.80 | 2.73 | 2.66 |
| 24.0 | 18.0 | 2.94 | 2.87 | 2.80 | 2.73 | 2.66 |

Model: ASYG09KMCF

| Outdoor temperature | | Indoor temperature (°CDB) | | | | |
|---------------------|--------|---------------------------|------|------|------|------|
| | | 16.0 | 18.0 | 20.0 | 22.0 | 24.0 |
| (°CDB) | (°CWB) | TC | TC | TC | TC | TC |
| -15.0 | -16.0 | 2.34 | 2.29 | 2.23 | 2.18 | 2.12 |
| -10.0 | -11.0 | 2.72 | 2.66 | 2.59 | 2.53 | 2.46 |
| -5.0 | -7.0 | 2.87 | 2.80 | 2.74 | 2.67 | 2.60 |
| 0.0 | -2.0 | 3.29 | 3.21 | 3.13 | 3.05 | 2.98 |
| 5.0 | 3.0 | 3.78 | 3.69 | 3.60 | 3.51 | 3.42 |
| 7.0 | 6.0 | 3.78 | 3.69 | 3.60 | 3.51 | 3.42 |
| 10.0 | 8.0 | 3.78 | 3.69 | 3.60 | 3.51 | 3.42 |
| 15.0 | 10.0 | 3.78 | 3.69 | 3.60 | 3.51 | 3.42 |
| 20.0 | 15.0 | 3.78 | 3.69 | 3.60 | 3.51 | 3.42 |
| 24.0 | 18.0 | 3.78 | 3.69 | 3.60 | 3.51 | 3.42 |

Model: ASYG12KMCF

| Outdoor temperature | | Indoor temperature (°CDB) | | | | |
|---------------------|--------|---------------------------|------|------|------|------|
| | | 16.0 | 18.0 | 20.0 | 22.0 | 24.0 |
| (°CDB) | (°CWB) | TC | TC | TC | TC | TC |
| -15.0 | -16.0 | 3.12 | 3.05 | 2.98 | 2.90 | 2.83 |
| -10.0 | -11.0 | 3.63 | 3.54 | 3.46 | 3.37 | 3.28 |
| -5.0 | -7.0 | 3.83 | 3.74 | 3.65 | 3.56 | 3.47 |
| 0.0 | -2.0 | 4.38 | 4.28 | 4.18 | 4.07 | 3.97 |
| 5.0 | 3.0 | 5.04 | 4.92 | 4.80 | 4.68 | 4.56 |
| 7.0 | 6.0 | 5.04 | 4.92 | 4.80 | 4.68 | 4.56 |
| 10.0 | 8.0 | 5.04 | 4.92 | 4.80 | 4.68 | 4.56 |
| 15.0 | 10.0 | 5.04 | 4.92 | 4.80 | 4.68 | 4.56 |
| 20.0 | 15.0 | 5.04 | 4.92 | 4.80 | 4.68 | 4.56 |
| 24.0 | 18.0 | 5.04 | 4.92 | 4.80 | 4.68 | 4.56 |

Model: ASYG14KMCF

| Outdoor temperature | | Indoor temperature (°CDB) | | | | |
|---------------------|--------|---------------------------|------|------|------|------|
| | | 16.0 | 18.0 | 20.0 | 22.0 | 24.0 |
| (°CDB) | (°CWB) | TC | TC | TC | TC | TC |
| -15.0 | -16.0 | 3.65 | 3.56 | 3.47 | 3.39 | 3.30 |
| -10.0 | -11.0 | 4.23 | 4.13 | 4.03 | 3.93 | 3.83 |
| -5.0 | -7.0 | 4.47 | 4.36 | 4.26 | 4.15 | 4.04 |
| 0.0 | -2.0 | 5.12 | 4.99 | 4.87 | 4.75 | 4.63 |
| 5.0 | 3.0 | 5.88 | 5.74 | 5.60 | 5.46 | 5.32 |
| 7.0 | 6.0 | 5.88 | 5.74 | 5.60 | 5.46 | 5.32 |
| 10.0 | 8.0 | 5.88 | 5.74 | 5.60 | 5.46 | 5.32 |
| 15.0 | 10.0 | 5.88 | 5.74 | 5.60 | 5.46 | 5.32 |
| 20.0 | 15.0 | 5.88 | 5.74 | 5.60 | 5.46 | 5.32 |
| 24.0 | 18.0 | 5.88 | 5.74 | 5.60 | 5.46 | 5.32 |

Model: ASYG07KETA, ASYG07KETA-B

| Outdoor temperature | | Indoor temperature (°CDB) | | | | |
|---------------------|--------|---------------------------|------|------|------|------|
| | | 16.0 | 18.0 | 20.0 | 22.0 | 24.0 |
| (°CDB) | (°CWB) | TC | TC | TC | TC | TC |
| -15.0 | -16.0 | 1.82 | 1.78 | 1.74 | 1.69 | 1.65 |
| -10.0 | -11.0 | 2.12 | 2.07 | 2.02 | 1.97 | 1.92 |
| -5.0 | -7.0 | 2.23 | 2.18 | 2.13 | 2.07 | 2.02 |
| 0.0 | -2.0 | 2.56 | 2.50 | 2.44 | 2.38 | 2.31 |
| 5.0 | 3.0 | 2.94 | 2.87 | 2.80 | 2.73 | 2.66 |
| 7.0 | 6.0 | 2.94 | 2.87 | 2.80 | 2.73 | 2.66 |
| 10.0 | 8.0 | 2.94 | 2.87 | 2.80 | 2.73 | 2.66 |
| 15.0 | 10.0 | 2.94 | 2.87 | 2.80 | 2.73 | 2.66 |
| 20.0 | 15.0 | 2.94 | 2.87 | 2.80 | 2.73 | 2.66 |
| 24.0 | 18.0 | 2.94 | 2.87 | 2.80 | 2.73 | 2.66 |

Model: ASYG09KETA, ASYG09KETA-B

| Outdoor temperature | | Indoor temperature (°CDB) | | | | |
|---------------------|--------|---------------------------|------|------|------|------|
| | | 16.0 | 18.0 | 20.0 | 22.0 | 24.0 |
| (°CDB) | (°CWB) | TC | TC | TC | TC | TC |
| -15.0 | -16.0 | 2.34 | 2.29 | 2.23 | 2.18 | 2.12 |
| -10.0 | -11.0 | 2.72 | 2.66 | 2.59 | 2.53 | 2.46 |
| -5.0 | -7.0 | 2.87 | 2.80 | 2.74 | 2.67 | 2.60 |
| 0.0 | -2.0 | 3.29 | 3.21 | 3.13 | 3.05 | 2.98 |
| 5.0 | 3.0 | 3.78 | 3.69 | 3.60 | 3.51 | 3.42 |
| 7.0 | 6.0 | 3.78 | 3.69 | 3.60 | 3.51 | 3.42 |
| 10.0 | 8.0 | 3.78 | 3.69 | 3.60 | 3.51 | 3.42 |
| 15.0 | 10.0 | 3.78 | 3.69 | 3.60 | 3.51 | 3.42 |
| 20.0 | 15.0 | 3.78 | 3.69 | 3.60 | 3.51 | 3.42 |
| 24.0 | 18.0 | 3.78 | 3.69 | 3.60 | 3.51 | 3.42 |

Model: ASYG12KETA, ASYG12KETA-B

| Outdoor temperature | | Indoor temperature (°CDB) | | | | |
|---------------------|--------|---------------------------|------|------|------|------|
| | | 16.0 | 18.0 | 20.0 | 22.0 | 24.0 |
| (°CDB) | (°CWB) | TC | TC | TC | TC | TC |
| -15.0 | -16.0 | 3.12 | 3.05 | 2.98 | 2.90 | 2.83 |
| -10.0 | -11.0 | 3.63 | 3.54 | 3.46 | 3.37 | 3.28 |
| -5.0 | -7.0 | 3.83 | 3.74 | 3.65 | 3.56 | 3.47 |
| 0.0 | -2.0 | 4.38 | 4.28 | 4.18 | 4.07 | 3.97 |
| 5.0 | 3.0 | 5.04 | 4.92 | 4.80 | 4.68 | 4.56 |
| 7.0 | 6.0 | 5.04 | 4.92 | 4.80 | 4.68 | 4.56 |
| 10.0 | 8.0 | 5.04 | 4.92 | 4.80 | 4.68 | 4.56 |
| 15.0 | 10.0 | 5.04 | 4.92 | 4.80 | 4.68 | 4.56 |
| 20.0 | 15.0 | 5.04 | 4.92 | 4.80 | 4.68 | 4.56 |
| 24.0 | 18.0 | 5.04 | 4.92 | 4.80 | 4.68 | 4.56 |

Model: ASYG14KETA, ASYG14KETA-B

| Outdoor temperature | | Indoor temperature (°CDB) | | | | |
|---------------------|--------|---------------------------|------|------|------|------|
| | | 16.0 | 18.0 | 20.0 | 22.0 | 24.0 |
| (°CDB) | (°CWB) | TC | TC | TC | TC | TC |
| -15.0 | -16.0 | 3.65 | 3.56 | 3.47 | 3.39 | 3.30 |
| -10.0 | -11.0 | 4.23 | 4.13 | 4.03 | 3.93 | 3.83 |
| -5.0 | -7.0 | 4.47 | 4.36 | 4.26 | 4.15 | 4.04 |
| 0.0 | -2.0 | 5.12 | 4.99 | 4.87 | 4.75 | 4.63 |
| 5.0 | 3.0 | 5.88 | 5.74 | 5.60 | 5.46 | 5.32 |
| 7.0 | 6.0 | 5.88 | 5.74 | 5.60 | 5.46 | 5.32 |
| 10.0 | 8.0 | 5.88 | 5.74 | 5.60 | 5.46 | 5.32 |
| 15.0 | 10.0 | 5.88 | 5.74 | 5.60 | 5.46 | 5.32 |
| 20.0 | 15.0 | 5.88 | 5.74 | 5.60 | 5.46 | 5.32 |
| 24.0 | 18.0 | 5.88 | 5.74 | 5.60 | 5.46 | 5.32 |

OUTDOOR UNIT
AOYG36KETA5

OUTDOOR UNIT
AOYG36KETA5

Model: ASYG07KETE, ASYG07KETE-B

| Outdoor temperature | | Indoor temperature (°CDB) | | | | |
|---------------------|--------|---------------------------|------|------|------|------|
| | | 16.0 | 18.0 | 20.0 | 22.0 | 24.0 |
| (°CDB) | (°CWB) | TC | TC | TC | TC | TC |
| -15.0 | -16.0 | 1.82 | 1.78 | 1.74 | 1.69 | 1.65 |
| -10.0 | -11.0 | 2.12 | 2.07 | 2.02 | 1.97 | 1.92 |
| -5.0 | -7.0 | 2.23 | 2.18 | 2.13 | 2.07 | 2.02 |
| 0.0 | -2.0 | 2.56 | 2.50 | 2.44 | 2.38 | 2.31 |
| 5.0 | 3.0 | 2.94 | 2.87 | 2.80 | 2.73 | 2.66 |
| 7.0 | 6.0 | 2.94 | 2.87 | 2.80 | 2.73 | 2.66 |
| 10.0 | 8.0 | 2.94 | 2.87 | 2.80 | 2.73 | 2.66 |
| 15.0 | 10.0 | 2.94 | 2.87 | 2.80 | 2.73 | 2.66 |
| 20.0 | 15.0 | 2.94 | 2.87 | 2.80 | 2.73 | 2.66 |
| 24.0 | 18.0 | 2.94 | 2.87 | 2.80 | 2.73 | 2.66 |

Model: ASYG09KETE, ASYG09KETE-B

| Outdoor temperature | | Indoor temperature (°CDB) | | | | |
|---------------------|--------|---------------------------|------|------|------|------|
| | | 16.0 | 18.0 | 20.0 | 22.0 | 24.0 |
| (°CDB) | (°CWB) | TC | TC | TC | TC | TC |
| -15.0 | -16.0 | 2.34 | 2.29 | 2.23 | 2.18 | 2.12 |
| -10.0 | -11.0 | 2.72 | 2.66 | 2.59 | 2.53 | 2.46 |
| -5.0 | -7.0 | 2.87 | 2.80 | 2.74 | 2.67 | 2.60 |
| 0.0 | -2.0 | 3.29 | 3.21 | 3.13 | 3.05 | 2.98 |
| 5.0 | 3.0 | 3.78 | 3.69 | 3.60 | 3.51 | 3.42 |
| 7.0 | 6.0 | 3.78 | 3.69 | 3.60 | 3.51 | 3.42 |
| 10.0 | 8.0 | 3.78 | 3.69 | 3.60 | 3.51 | 3.42 |
| 15.0 | 10.0 | 3.78 | 3.69 | 3.60 | 3.51 | 3.42 |
| 20.0 | 15.0 | 3.78 | 3.69 | 3.60 | 3.51 | 3.42 |
| 24.0 | 18.0 | 3.78 | 3.69 | 3.60 | 3.51 | 3.42 |

Model: ASYG12KETE, ASYG12KETE-B

| Outdoor temperature | | Indoor temperature (°CDB) | | | | |
|---------------------|--------|---------------------------|------|------|------|------|
| | | 16.0 | 18.0 | 20.0 | 22.0 | 24.0 |
| (°CDB) | (°CWB) | TC | TC | TC | TC | TC |
| -15.0 | -16.0 | 3.12 | 3.05 | 2.98 | 2.90 | 2.83 |
| -10.0 | -11.0 | 3.63 | 3.54 | 3.46 | 3.37 | 3.28 |
| -5.0 | -7.0 | 3.83 | 3.74 | 3.65 | 3.56 | 3.47 |
| 0.0 | -2.0 | 4.38 | 4.28 | 4.18 | 4.07 | 3.97 |
| 5.0 | 3.0 | 5.04 | 4.92 | 4.80 | 4.68 | 4.56 |
| 7.0 | 6.0 | 5.04 | 4.92 | 4.80 | 4.68 | 4.56 |
| 10.0 | 8.0 | 5.04 | 4.92 | 4.80 | 4.68 | 4.56 |
| 15.0 | 10.0 | 5.04 | 4.92 | 4.80 | 4.68 | 4.56 |
| 20.0 | 15.0 | 5.04 | 4.92 | 4.80 | 4.68 | 4.56 |
| 24.0 | 18.0 | 5.04 | 4.92 | 4.80 | 4.68 | 4.56 |

Model: ASYG14KETE, ASYG14KETE-B

| Outdoor temperature | | Indoor temperature (°CDB) | | | | |
|---------------------|--------|---------------------------|------|------|------|------|
| | | 16.0 | 18.0 | 20.0 | 22.0 | 24.0 |
| (°CDB) | (°CWB) | TC | TC | TC | TC | TC |
| -15.0 | -16.0 | 3.65 | 3.56 | 3.47 | 3.39 | 3.30 |
| -10.0 | -11.0 | 4.23 | 4.13 | 4.03 | 3.93 | 3.83 |
| -5.0 | -7.0 | 4.47 | 4.36 | 4.26 | 4.15 | 4.04 |
| 0.0 | -2.0 | 5.12 | 4.99 | 4.87 | 4.75 | 4.63 |
| 5.0 | 3.0 | 5.88 | 5.74 | 5.60 | 5.46 | 5.32 |
| 7.0 | 6.0 | 5.88 | 5.74 | 5.60 | 5.46 | 5.32 |
| 10.0 | 8.0 | 5.88 | 5.74 | 5.60 | 5.46 | 5.32 |
| 15.0 | 10.0 | 5.88 | 5.74 | 5.60 | 5.46 | 5.32 |
| 20.0 | 15.0 | 5.88 | 5.74 | 5.60 | 5.46 | 5.32 |
| 24.0 | 18.0 | 5.88 | 5.74 | 5.60 | 5.46 | 5.32 |

Model: ASYG07KETF, ASYG07KETF-B

| Outdoor temperature | | Indoor temperature (°CDB) | | | | |
|---------------------|--------|---------------------------|------|------|------|------|
| | | 16.0 | 18.0 | 20.0 | 22.0 | 24.0 |
| (°CDB) | (°CWB) | TC | TC | TC | TC | TC |
| -15.0 | -16.0 | 1.82 | 1.78 | 1.74 | 1.69 | 1.65 |
| -10.0 | -11.0 | 2.12 | 2.07 | 2.02 | 1.97 | 1.92 |
| -5.0 | -7.0 | 2.23 | 2.18 | 2.13 | 2.07 | 2.02 |
| 0.0 | -2.0 | 2.56 | 2.50 | 2.44 | 2.38 | 2.31 |
| 5.0 | 3.0 | 2.94 | 2.87 | 2.80 | 2.73 | 2.66 |
| 7.0 | 6.0 | 2.94 | 2.87 | 2.80 | 2.73 | 2.66 |
| 10.0 | 8.0 | 2.94 | 2.87 | 2.80 | 2.73 | 2.66 |
| 15.0 | 10.0 | 2.94 | 2.87 | 2.80 | 2.73 | 2.66 |
| 20.0 | 15.0 | 2.94 | 2.87 | 2.80 | 2.73 | 2.66 |
| 24.0 | 18.0 | 2.94 | 2.87 | 2.80 | 2.73 | 2.66 |

Model: ASYG09KETF, ASYG09KETF-B

| Outdoor temperature | | Indoor temperature (°CDB) | | | | |
|---------------------|--------|---------------------------|------|------|------|------|
| | | 16.0 | 18.0 | 20.0 | 22.0 | 24.0 |
| (°CDB) | (°CWB) | TC | TC | TC | TC | TC |
| -15.0 | -16.0 | 2.34 | 2.29 | 2.23 | 2.18 | 2.12 |
| -10.0 | -11.0 | 2.72 | 2.66 | 2.59 | 2.53 | 2.46 |
| -5.0 | -7.0 | 2.87 | 2.80 | 2.74 | 2.67 | 2.60 |
| 0.0 | -2.0 | 3.29 | 3.21 | 3.13 | 3.05 | 2.98 |
| 5.0 | 3.0 | 3.78 | 3.69 | 3.60 | 3.51 | 3.42 |
| 7.0 | 6.0 | 3.78 | 3.69 | 3.60 | 3.51 | 3.42 |
| 10.0 | 8.0 | 3.78 | 3.69 | 3.60 | 3.51 | 3.42 |
| 15.0 | 10.0 | 3.78 | 3.69 | 3.60 | 3.51 | 3.42 |
| 20.0 | 15.0 | 3.78 | 3.69 | 3.60 | 3.51 | 3.42 |
| 24.0 | 18.0 | 3.78 | 3.69 | 3.60 | 3.51 | 3.42 |

Model: ASYG12KETF, ASYG12KETF-B

| Outdoor temperature | | Indoor temperature (°CDB) | | | | |
|---------------------|--------|---------------------------|------|------|------|------|
| | | 16.0 | 18.0 | 20.0 | 22.0 | 24.0 |
| (°CDB) | (°CWB) | TC | TC | TC | TC | TC |
| -15.0 | -16.0 | 3.12 | 3.05 | 2.98 | 2.90 | 2.83 |
| -10.0 | -11.0 | 3.63 | 3.54 | 3.46 | 3.37 | 3.28 |
| -5.0 | -7.0 | 3.83 | 3.74 | 3.65 | 3.56 | 3.47 |
| 0.0 | -2.0 | 4.38 | 4.28 | 4.18 | 4.07 | 3.97 |
| 5.0 | 3.0 | 5.04 | 4.92 | 4.80 | 4.68 | 4.56 |
| 7.0 | 6.0 | 5.04 | 4.92 | 4.80 | 4.68 | 4.56 |
| 10.0 | 8.0 | 5.04 | 4.92 | 4.80 | 4.68 | 4.56 |
| 15.0 | 10.0 | 5.04 | 4.92 | 4.80 | 4.68 | 4.56 |
| 20.0 | 15.0 | 5.04 | 4.92 | 4.80 | 4.68 | 4.56 |
| 24.0 | 18.0 | 5.04 | 4.92 | 4.80 | 4.68 | 4.56 |

Model: ASYG14KETF, ASYG14KETF-B

| Outdoor temperature | | Indoor temperature (°CDB) | | | | |
|---------------------|--------|---------------------------|------|------|------|------|
| | | 16.0 | 18.0 | 20.0 | 22.0 | 24.0 |
| (°CDB) | (°CWB) | TC | TC | TC | TC | TC |
| -15.0 | -16.0 | 3.65 | 3.56 | 3.47 | 3.39 | 3.30 |
| -10.0 | -11.0 | 4.23 | 4.13 | 4.03 | 3.93 | 3.83 |
| -5.0 | -7.0 | 4.47 | 4.36 | 4.26 | 4.15 | 4.04 |
| 0.0 | -2.0 | 5.12 | 4.99 | 4.87 | 4.75 | 4.63 |
| 5.0 | 3.0 | 5.88 | 5.74 | 5.60 | 5.46 | 5.32 |
| 7.0 | 6.0 | 5.88 | 5.74 | 5.60 | 5.46 | 5.32 |
| 10.0 | 8.0 | 5.88 | 5.74 | 5.60 | 5.46 | 5.32 |
| 15.0 | 10.0 | 5.88 | 5.74 | 5.60 | 5.46 | 5.32 |
| 20.0 | 15.0 | 5.88 | 5.74 | 5.60 | 5.46 | 5.32 |
| 24.0 | 18.0 | 5.88 | 5.74 | 5.60 | 5.46 | 5.32 |

NOTES:

- TC: Total Capacity (kW)
- Values mentioned in the table are based on the following conditions:
 - Pipe length: 5 m, Height difference: 0 m (Outdoor unit—Indoor unit)

● Ceiling type

Model: ABYG18KRTA

| Outdoor temperature | | Indoor temperature (°CDB) | | | | |
|---------------------|--------|---------------------------|------|------|------|------|
| | | 16.0 | 18.0 | 20.0 | 22.0 | 24.0 |
| (°CDB) | (°CWB) | TC | TC | TC | TC | TC |
| -15.0 | -16.0 | 4.39 | 4.29 | 4.19 | 4.08 | 3.98 |
| -10.0 | -11.0 | 5.10 | 4.98 | 4.86 | 4.74 | 4.62 |
| -5.0 | -7.0 | 5.39 | 5.26 | 5.13 | 5.00 | 4.87 |
| 0.0 | -2.0 | 6.17 | 6.02 | 5.87 | 5.73 | 5.58 |
| 5.0 | 3.0 | 7.09 | 6.92 | 6.75 | 6.58 | 6.41 |
| 7.0 | 6.0 | 7.09 | 6.92 | 6.75 | 6.58 | 6.41 |
| 10.0 | 8.0 | 7.09 | 6.92 | 6.75 | 6.58 | 6.41 |
| 15.0 | 10.0 | 7.09 | 6.92 | 6.75 | 6.58 | 6.41 |
| 20.0 | 15.0 | 7.09 | 6.92 | 6.75 | 6.58 | 6.41 |
| 24.0 | 18.0 | 7.09 | 6.92 | 6.75 | 6.58 | 6.41 |

Model: ABYG22KRTA

| Outdoor temperature | | Indoor temperature (°CDB) | | | | |
|---------------------|--------|---------------------------|------|------|------|------|
| | | 16.0 | 18.0 | 20.0 | 22.0 | 24.0 |
| (°CDB) | (°CWB) | TC | TC | TC | TC | TC |
| -15.0 | -16.0 | 5.55 | 5.41 | 5.28 | 5.15 | 5.02 |
| -10.0 | -11.0 | 6.44 | 6.29 | 6.13 | 5.98 | 5.83 |
| -5.0 | -7.0 | 6.80 | 6.64 | 6.48 | 6.31 | 6.15 |
| 0.0 | -2.0 | 7.78 | 7.60 | 7.41 | 7.23 | 7.04 |
| 5.0 | 3.0 | 8.95 | 8.73 | 8.52 | 8.31 | 8.09 |
| 7.0 | 6.0 | 8.95 | 8.73 | 8.52 | 8.31 | 8.09 |
| 10.0 | 8.0 | 8.95 | 8.73 | 8.52 | 8.31 | 8.09 |
| 15.0 | 10.0 | 8.95 | 8.73 | 8.52 | 8.31 | 8.09 |
| 20.0 | 15.0 | 8.95 | 8.73 | 8.52 | 8.31 | 8.09 |
| 24.0 | 18.0 | 8.95 | 8.73 | 8.52 | 8.31 | 8.09 |

NOTES:

- TC: Total Capacity (kW)
- Values mentioned in the table are based on the following conditions:
 - Pipe length: 5 m, Height difference: 0 m (Outdoor unit—Indoor unit)

● Floor type

Model: AGYG09KVCA

| Outdoor temperature | | Indoor temperature (°CDB) | | | | |
|---------------------|--------|---------------------------|------|------|------|------|
| | | 16.0 | 18.0 | 20.0 | 22.0 | 24.0 |
| (°CDB) | (°CWB) | TC | TC | TC | TC | TC |
| -15.0 | -16.0 | 2.34 | 2.29 | 2.23 | 2.18 | 2.12 |
| -10.0 | -11.0 | 2.72 | 2.66 | 2.59 | 2.53 | 2.46 |
| -5.0 | -7.0 | 2.87 | 2.80 | 2.74 | 2.67 | 2.60 |
| 0.0 | -2.0 | 3.29 | 3.21 | 3.13 | 3.05 | 2.98 |
| 5.0 | 3.0 | 3.78 | 3.69 | 3.60 | 3.51 | 3.42 |
| 7.0 | 6.0 | 3.78 | 3.69 | 3.60 | 3.51 | 3.42 |
| 10.0 | 8.0 | 3.78 | 3.69 | 3.60 | 3.51 | 3.42 |
| 15.0 | 10.0 | 3.78 | 3.69 | 3.60 | 3.51 | 3.42 |
| 20.0 | 15.0 | 3.78 | 3.69 | 3.60 | 3.51 | 3.42 |
| 24.0 | 18.0 | 3.78 | 3.69 | 3.60 | 3.51 | 3.42 |

Model: AGYG12KVCA

| Outdoor temperature | | Indoor temperature (°CDB) | | | | |
|---------------------|--------|---------------------------|------|------|------|------|
| | | 16.0 | 18.0 | 20.0 | 22.0 | 24.0 |
| (°CDB) | (°CWB) | TC | TC | TC | TC | TC |
| -15.0 | -16.0 | 3.12 | 3.05 | 2.98 | 2.90 | 2.83 |
| -10.0 | -11.0 | 3.63 | 3.54 | 3.46 | 3.37 | 3.28 |
| -5.0 | -7.0 | 3.83 | 3.74 | 3.65 | 3.56 | 3.47 |
| 0.0 | -2.0 | 4.38 | 4.28 | 4.18 | 4.07 | 3.97 |
| 5.0 | 3.0 | 5.04 | 4.92 | 4.80 | 4.68 | 4.56 |
| 7.0 | 6.0 | 5.04 | 4.92 | 4.80 | 4.68 | 4.56 |
| 10.0 | 8.0 | 5.04 | 4.92 | 4.80 | 4.68 | 4.56 |
| 15.0 | 10.0 | 5.04 | 4.92 | 4.80 | 4.68 | 4.56 |
| 20.0 | 15.0 | 5.04 | 4.92 | 4.80 | 4.68 | 4.56 |
| 24.0 | 18.0 | 5.04 | 4.92 | 4.80 | 4.68 | 4.56 |

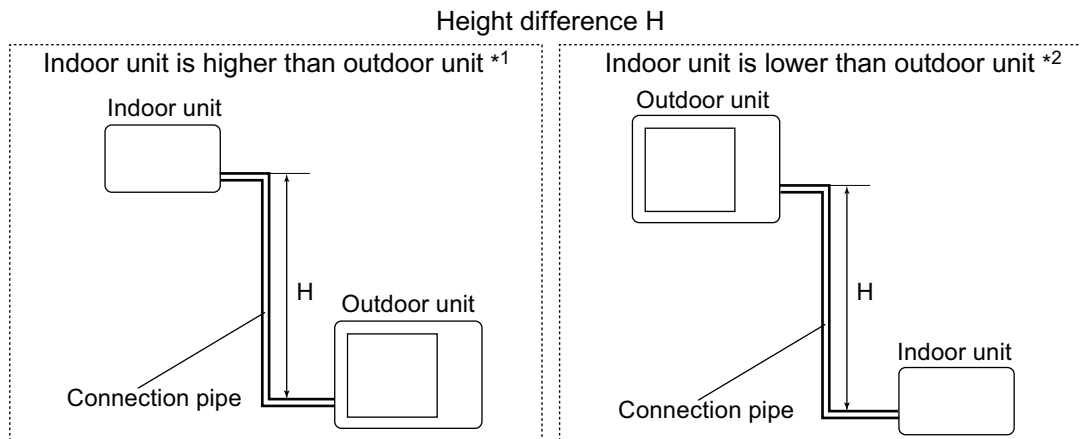
Model: AGYG14KVCA

| Outdoor temperature | | Indoor temperature (°CDB) | | | | |
|---------------------|--------|---------------------------|------|------|------|------|
| | | 16.0 | 18.0 | 20.0 | 22.0 | 24.0 |
| (°CDB) | (°CWB) | TC | TC | TC | TC | TC |
| -15.0 | -16.0 | 3.65 | 3.56 | 3.47 | 3.39 | 3.30 |
| -10.0 | -11.0 | 4.23 | 4.13 | 4.03 | 3.93 | 3.83 |
| -5.0 | -7.0 | 4.47 | 4.36 | 4.26 | 4.15 | 4.04 |
| 0.0 | -2.0 | 5.12 | 4.99 | 4.87 | 4.75 | 4.63 |
| 5.0 | 3.0 | 5.88 | 5.74 | 5.60 | 5.46 | 5.32 |
| 7.0 | 6.0 | 5.88 | 5.74 | 5.60 | 5.46 | 5.32 |
| 10.0 | 8.0 | 5.88 | 5.74 | 5.60 | 5.46 | 5.32 |
| 15.0 | 10.0 | 5.88 | 5.74 | 5.60 | 5.46 | 5.32 |
| 20.0 | 15.0 | 5.88 | 5.74 | 5.60 | 5.46 | 5.32 |
| 24.0 | 18.0 | 5.88 | 5.74 | 5.60 | 5.46 | 5.32 |

NOTES:

- TC: Total Capacity (kW)
- Values mentioned in the table are based on the following conditions:
 - Pipe length: 5 m, Height difference: 0 m (Outdoor unit—Indoor unit)

7. Capacity compensation rate for pipe length and height difference



7-1. Model: AOYG36KBTA5

NOTE: Values mentioned in the table are calculated based on the maximum capacity.

■ Indoor unit: 7,000 Btu/h

| Cooling | | Pipe length | | | | | | |
|-------------------------|--|-------------|-------|-------|-------|-------|-------|-------|
| | | m | 2.5 | 5 | 10 | 15 | 20 | 25 |
| Height difference H (m) | Indoor unit is higher than outdoor unit *1 | 15 | — | — | — | 0.955 | 0.941 | 0.927 |
| | | 10 | — | — | 0.976 | 0.962 | 0.949 | 0.935 |
| | | 5 | — | 0.992 | 0.984 | 0.970 | 0.956 | 0.942 |
| | | 2.5 | 0.996 | 0.996 | 0.988 | 0.974 | 0.960 | 0.946 |
| | Indoor unit is lower than outdoor unit *2 | 0 | 1.000 | 1.000 | 0.992 | 0.978 | 0.964 | 0.950 |
| | | -2.5 | 1.000 | 1.000 | 0.992 | 0.978 | 0.964 | 0.950 |
| | | -5 | — | 1.000 | 0.992 | 0.978 | 0.964 | 0.950 |
| | | -10 | — | — | 0.992 | 0.978 | 0.964 | 0.950 |
| | | -15 | — | — | — | 0.978 | 0.964 | 0.950 |

| Heating | | Pipe length | | | | | | |
|-------------------------|--|-------------|-------|-------|-------|-------|-------|-------|
| | | m | 2.5 | 5 | 10 | 15 | 20 | 25 |
| Height difference H (m) | Indoor unit is higher than outdoor unit *1 | 15 | — | — | — | 0.976 | 0.957 | 0.938 |
| | | 10 | — | — | 0.991 | 0.976 | 0.957 | 0.938 |
| | | 5 | — | 1.000 | 0.991 | 0.976 | 0.957 | 0.938 |
| | | 2.5 | 1.000 | 1.000 | 0.991 | 0.976 | 0.957 | 0.938 |
| | Indoor unit is lower than outdoor unit *2 | 0 | 1.000 | 1.000 | 0.991 | 0.976 | 0.957 | 0.938 |
| | | -2.5 | 0.998 | 0.997 | 0.989 | 0.974 | 0.955 | 0.936 |
| | | -5 | — | 0.995 | 0.986 | 0.971 | 0.952 | 0.933 |
| | | -10 | — | — | 0.981 | 0.966 | 0.947 | 0.929 |
| | | -15 | — | — | — | 0.961 | 0.943 | 0.924 |

■ Indoor unit: 9,000 Btu/h

| Cooling | | Pipe length | | | | | | |
|-------------------------|--|-------------|-------|-------|-------|-------|-------|-------|
| | | m | 2.5 | 5 | 10 | 15 | 20 | 25 |
| Height difference H (m) | Indoor unit is higher than outdoor unit *1 | 15 | — | — | — | 0.956 | 0.942 | 0.928 |
| | | 10 | — | — | 0.977 | 0.963 | 0.950 | 0.936 |
| | | 5 | — | 0.992 | 0.985 | 0.971 | 0.957 | 0.943 |
| | | 2.5 | 0.996 | 0.996 | 0.989 | 0.975 | 0.961 | 0.947 |
| | Indoor unit is lower than outdoor unit *2 | 0 | 1.000 | 1.000 | 0.993 | 0.979 | 0.965 | 0.951 |
| | | -2.5 | 1.000 | 1.000 | 0.993 | 0.979 | 0.965 | 0.951 |
| | | -5 | — | 1.000 | 0.993 | 0.979 | 0.965 | 0.951 |
| | | -10 | — | — | 0.993 | 0.979 | 0.965 | 0.951 |
| | | -15 | — | — | — | 0.979 | 0.965 | 0.951 |

| Heating | | Pipe length | | | | | | |
|-------------------------|--|-------------|-------|-------|-------|-------|-------|-------|
| | | m | 2.5 | 5 | 10 | 15 | 20 | 25 |
| Height difference H (m) | Indoor unit is higher than outdoor unit *1 | 15 | — | — | — | 0.977 | 0.958 | 0.939 |
| | | 10 | — | — | 0.993 | 0.977 | 0.958 | 0.939 |
| | | 5 | — | 1.000 | 0.993 | 0.977 | 0.958 | 0.939 |
| | | 2.5 | 1.000 | 1.000 | 0.993 | 0.977 | 0.958 | 0.939 |
| | Indoor unit is lower than outdoor unit *2 | 0 | 1.000 | 1.000 | 0.993 | 0.977 | 0.958 | 0.939 |
| | | -2.5 | 0.998 | 0.997 | 0.991 | 0.975 | 0.956 | 0.937 |
| | | -5 | — | 0.995 | 0.988 | 0.972 | 0.954 | 0.934 |
| | | -10 | — | — | 0.983 | 0.967 | 0.949 | 0.930 |
| | | -15 | — | — | — | 0.962 | 0.944 | 0.925 |

■ Indoor unit: 12,000 Btu/h

| Cooling | | Pipe length | | | | | | |
|-------------------------|--|-------------|-------|-------|-------|-------|-------|-------|
| | | m | 2.5 | 5 | 10 | 15 | 20 | 25 |
| Height difference H (m) | Indoor unit is higher than outdoor unit *1 | 15 | — | — | — | 0.937 | 0.912 | 0.888 |
| | | 10 | — | — | 0.970 | 0.944 | 0.919 | 0.896 |
| | | 5 | — | 0.992 | 0.978 | 0.952 | 0.927 | 0.903 |
| | | 2.5 | 0.996 | 0.996 | 0.982 | 0.956 | 0.930 | 0.907 |
| | Indoor unit is lower than outdoor unit *2 | 0 | 1.000 | 1.000 | 0.986 | 0.960 | 0.934 | 0.910 |
| | | -2.5 | 1.000 | 1.000 | 0.986 | 0.960 | 0.934 | 0.910 |
| | | -5 | — | 1.000 | 0.986 | 0.960 | 0.934 | 0.910 |
| | | -10 | — | — | 0.986 | 0.960 | 0.934 | 0.910 |
| | | -15 | — | — | — | 0.960 | 0.934 | 0.910 |

| Heating | | Pipe length | | | | | | |
|-------------------------|--|-------------|-------|-------|-------|-------|-------|-------|
| | | m | 2.5 | 5 | 10 | 15 | 20 | 25 |
| Height difference H (m) | Indoor unit is higher than outdoor unit *1 | 15 | — | — | — | 0.977 | 0.958 | 0.938 |
| | | 10 | — | — | 0.993 | 0.977 | 0.958 | 0.938 |
| | | 5 | — | 1.000 | 0.993 | 0.977 | 0.958 | 0.938 |
| | | 2.5 | 1.000 | 1.000 | 0.993 | 0.977 | 0.958 | 0.938 |
| | Indoor unit is lower than outdoor unit *2 | 0 | 1.000 | 1.000 | 0.993 | 0.977 | 0.958 | 0.938 |
| | | -2.5 | 0.998 | 0.997 | 0.991 | 0.975 | 0.956 | 0.936 |
| | | -5 | — | 0.995 | 0.988 | 0.972 | 0.953 | 0.933 |
| | | -10 | — | — | 0.983 | 0.967 | 0.949 | 0.929 |
| | | -15 | — | — | — | 0.962 | 0.944 | 0.924 |

■ Indoor unit: 14,000 Btu/h

| Cooling | | Pipe length | | | | | | |
|-------------------------|--|-------------|-------|-------|-------|-------|-------|-------|
| | | m | 2.5 | 5 | 10 | 15 | 20 | 25 |
| Height difference H (m) | Indoor unit is higher than outdoor unit *1 | 15 | — | — | — | 0.955 | 0.937 | 0.922 |
| | | 10 | — | — | 0.974 | 0.962 | 0.945 | 0.930 |
| | | 5 | — | 0.992 | 0.982 | 0.970 | 0.952 | 0.937 |
| | | 2.5 | 0.996 | 0.996 | 0.986 | 0.974 | 0.956 | 0.941 |
| | Indoor unit is lower than outdoor unit *2 | 0 | 1.000 | 1.000 | 0.990 | 0.978 | 0.960 | 0.945 |
| | | -2.5 | 1.000 | 1.000 | 0.990 | 0.978 | 0.960 | 0.945 |
| | | -5 | — | 1.000 | 0.990 | 0.978 | 0.960 | 0.945 |
| | | -10 | — | — | 0.990 | 0.978 | 0.960 | 0.945 |
| | | -15 | — | — | — | 0.978 | 0.960 | 0.945 |

| Heating | | Pipe length | | | | | | |
|-------------------------|--|-------------|-------|-------|-------|-------|-------|-------|
| | | m | 2.5 | 5 | 10 | 15 | 20 | 25 |
| Height difference H (m) | Indoor unit is higher than outdoor unit *1 | 15 | — | — | — | 0.972 | 0.945 | 0.919 |
| | | 10 | — | — | 0.992 | 0.972 | 0.945 | 0.919 |
| | | 5 | — | 1.000 | 0.992 | 0.972 | 0.945 | 0.919 |
| | | 2.5 | 1.000 | 1.000 | 0.992 | 0.972 | 0.945 | 0.919 |
| | Indoor unit is lower than outdoor unit *2 | 0 | 1.000 | 1.000 | 0.992 | 0.972 | 0.945 | 0.919 |
| | | -2.5 | 0.998 | 0.997 | 0.990 | 0.970 | 0.943 | 0.917 |
| | | -5 | — | 0.995 | 0.987 | 0.967 | 0.940 | 0.914 |
| | | -10 | — | — | 0.982 | 0.962 | 0.935 | 0.910 |
| | | -15 | — | — | — | 0.957 | 0.930 | 0.905 |

■ Indoor unit: 18,000 Btu/h

| Cooling | | Pipe length | | | | | | |
|-------------------------|--|-------------|-------|-------|-------|-------|-------|-------|
| | | m | 2.5 | 5 | 10 | 15 | 20 | 25 |
| Height difference H (m) | Indoor unit is higher than outdoor unit *1 | 15 | — | — | — | 0.968 | 0.961 | 0.954 |
| | | 10 | — | — | 0.982 | 0.976 | 0.969 | 0.962 |
| | | 5 | — | 0.992 | 0.990 | 0.984 | 0.977 | 0.970 |
| | | 2.5 | 0.996 | 0.996 | 0.994 | 0.988 | 0.981 | 0.974 |
| | Indoor unit is lower than outdoor unit *2 | 0 | 1.000 | 1.000 | 0.998 | 0.992 | 0.985 | 0.978 |
| | | -2.5 | 1.000 | 1.000 | 0.998 | 0.992 | 0.985 | 0.978 |
| | | -5 | — | 1.000 | 0.998 | 0.992 | 0.985 | 0.978 |
| | | -10 | — | — | 0.998 | 0.992 | 0.985 | 0.978 |
| | | -15 | — | — | — | 0.992 | 0.985 | 0.978 |

| Heating | | Pipe length | | | | | | |
|-------------------------|--|-------------|-------|-------|-------|-------|-------|-------|
| | | m | 2.5 | 5 | 10 | 15 | 20 | 25 |
| Height difference H (m) | Indoor unit is higher than outdoor unit *1 | 15 | — | — | — | 0.967 | 0.943 | 0.917 |
| | | 10 | — | — | 0.990 | 0.967 | 0.943 | 0.917 |
| | | 5 | — | 1.000 | 0.990 | 0.967 | 0.943 | 0.917 |
| | | 2.5 | 1.000 | 1.000 | 0.990 | 0.967 | 0.943 | 0.917 |
| | Indoor unit is lower than outdoor unit *2 | 0 | 1.000 | 1.000 | 0.990 | 0.967 | 0.943 | 0.917 |
| | | -2.5 | 0.998 | 0.997 | 0.988 | 0.965 | 0.941 | 0.915 |
| | | -5 | — | 0.995 | 0.985 | 0.962 | 0.938 | 0.912 |
| | | -10 | — | — | 0.980 | 0.958 | 0.933 | 0.908 |
| | | -15 | — | — | — | 0.953 | 0.929 | 0.903 |

■ Indoor unit: 22,000 Btu/h

| Cooling | | Pipe length | | | | | | |
|-------------------------|--|-------------|-------|-------|-------|-------|-------|-------|
| | | m | 2.5 | 5 | 10 | 15 | 20 | 25 |
| Height difference H (m) | Indoor unit is higher than outdoor unit *1 | 15 | — | — | — | 0.978 | 0.969 | 0.953 |
| | | 10 | — | — | 0.986 | 0.986 | 0.977 | 0.961 |
| | | 5 | — | 0.992 | 0.994 | 0.994 | 0.984 | 0.968 |
| | | 2.5 | 0.996 | 0.996 | 0.998 | 0.998 | 0.988 | 0.972 |
| | Indoor unit is lower than outdoor unit *2 | 0 | 1.000 | 1.000 | 1.002 | 1.002 | 0.992 | 0.976 |
| | | -2.5 | 1.000 | 1.000 | 1.002 | 1.002 | 0.992 | 0.976 |
| | | -5 | — | 1.000 | 1.002 | 1.002 | 0.992 | 0.976 |
| | | -10 | — | — | 1.002 | 1.002 | 0.992 | 0.976 |
| | | -15 | — | — | — | 1.002 | 0.992 | 0.976 |

| Heating | | Pipe length | | | | | | |
|-------------------------|--|-------------|-------|-------|-------|-------|-------|-------|
| | | m | 2.5 | 5 | 10 | 15 | 20 | 25 |
| Height difference H (m) | Indoor unit is higher than outdoor unit *1 | 15 | — | — | — | 0.964 | 0.939 | 0.913 |
| | | 10 | — | — | 0.988 | 0.964 | 0.939 | 0.913 |
| | | 5 | — | 1.000 | 0.988 | 0.964 | 0.939 | 0.913 |
| | | 2.5 | 1.000 | 1.000 | 0.988 | 0.964 | 0.939 | 0.913 |
| | Indoor unit is lower than outdoor unit *2 | 0 | 1.000 | 1.000 | 0.988 | 0.964 | 0.939 | 0.913 |
| | | -2.5 | 0.998 | 0.997 | 0.986 | 0.962 | 0.937 | 0.911 |
| | | -5 | — | 0.995 | 0.983 | 0.959 | 0.934 | 0.909 |
| | | -10 | — | — | 0.978 | 0.954 | 0.929 | 0.904 |
| | | -15 | — | — | — | 0.949 | 0.925 | 0.899 |

■ Indoor unit: 24,000 Btu/h

| Cooling | | Pipe length | | | | | | |
|-------------------------|--|-------------|-------|-------|-------|-------|-------|-------|
| | | m | 2.5 | 5 | 10 | 15 | 20 | 25 |
| Height difference H (m) | Indoor unit is higher than outdoor unit *1 | 15 | — | — | — | 0.978 | 0.969 | 0.953 |
| | | 10 | — | — | 0.986 | 0.986 | 0.977 | 0.961 |
| | | 5 | — | 0.992 | 0.994 | 0.994 | 0.984 | 0.968 |
| | | 2.5 | 0.996 | 0.996 | 0.998 | 0.998 | 0.988 | 0.972 |
| | Indoor unit is lower than outdoor unit *2 | 0 | 1.000 | 1.000 | 1.002 | 1.002 | 0.992 | 0.976 |
| | | -2.5 | 1.000 | 1.000 | 1.002 | 1.002 | 0.992 | 0.976 |
| | | -5 | — | 1.000 | 1.002 | 1.002 | 0.992 | 0.976 |
| | | -10 | — | — | 1.002 | 1.002 | 0.992 | 0.976 |
| | | -15 | — | — | — | 1.002 | 0.992 | 0.976 |

| Heating | | Pipe length | | | | | | |
|-------------------------|--|-------------|-------|-------|-------|-------|-------|-------|
| | | m | 2.5 | 5 | 10 | 15 | 20 | 25 |
| Height difference H (m) | Indoor unit is higher than outdoor unit *1 | 15 | — | — | — | 0.964 | 0.939 | 0.913 |
| | | 10 | — | — | 0.988 | 0.964 | 0.939 | 0.913 |
| | | 5 | — | 1.000 | 0.988 | 0.964 | 0.939 | 0.913 |
| | | 2.5 | 1.000 | 1.000 | 0.988 | 0.964 | 0.939 | 0.913 |
| | Indoor unit is lower than outdoor unit *2 | 0 | 1.000 | 1.000 | 0.988 | 0.964 | 0.939 | 0.913 |
| | | -2.5 | 0.998 | 0.997 | 0.986 | 0.962 | 0.937 | 0.911 |
| | | -5 | — | 0.995 | 0.983 | 0.959 | 0.934 | 0.909 |
| | | -10 | — | — | 0.978 | 0.954 | 0.929 | 0.904 |
| | | -15 | — | — | — | 0.949 | 0.925 | 0.899 |

8. Additional charge calculation

8-1. Model: AOYG36KBTA5

| | | |
|--------------------|---|-------|
| Refrigerant type | | R32 |
| Refrigerant amount | g | 2,500 |

| Refrigerant charge | | | | | | | 20 g/m |
|--------------------------|---|------------|-----|-----|-----|-----------|--------|
| Total pipe length | m | 40 or less | 50 | 60 | 70 | 75 (Max.) | |
| Additional charge amount | g | 0 | 200 | 400 | 600 | 700 | |

9. Airflow

9-1. Model: AOYG36KBTA5

● Cooling

| | |
|-------------------|-------|
| m ³ /h | 2,450 |
| l/s | 708 |
| CFM | 1,501 |

● Heating

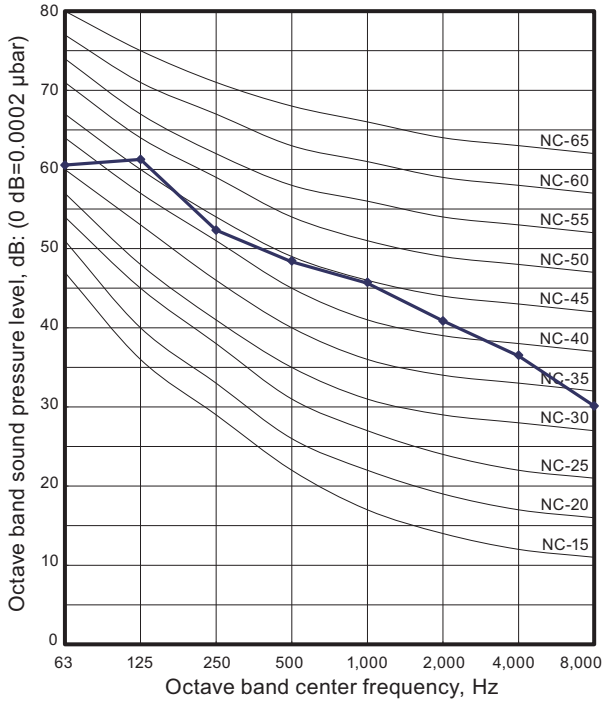
| | |
|-------------------|-------|
| m ³ /h | 2,900 |
| l/s | 833 |
| CFM | 1,766 |

10. Operation noise (sound pressure)

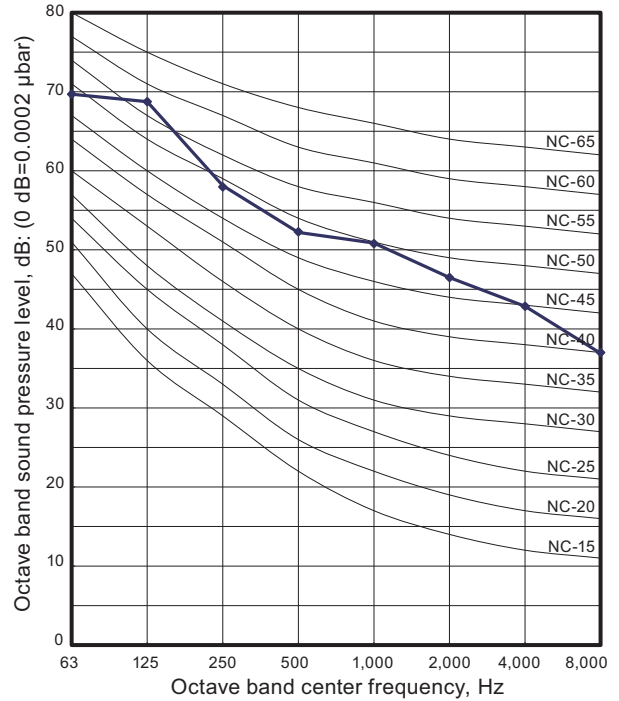
10-1. Noise level curve

Model: AOYG36KBTA5

● Cooling



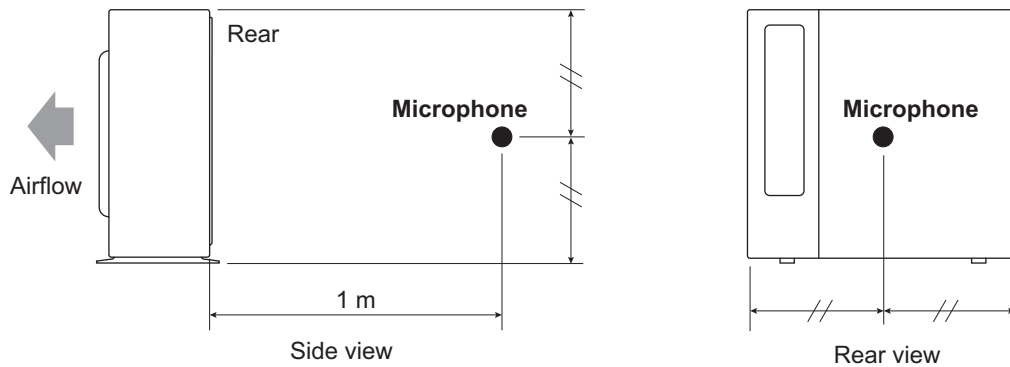
● Heating



OUTDOOR UNIT
AOYG36KBTA5

OUTDOOR UNIT
AOYG36KBTA5

10-2. Sound level check point



NOTE: Detailed shape of the actual outdoor unit might be slightly different from the one illustrated above.

11. Electrical characteristics

| | | | | |
|------------------------------|-------------------------------------|-----------------------|-----------------|-----|
| Model name | | | AOYG36KBTA5 | |
| Power supply | Voltage | V | 230 ~ | |
| | Frequency | Hz | 50 | |
| Maximum operating current *1 | | A | 20.0 | |
| Starting current | | A | 11.1 | |
| Wiring spec. *2 | Main fuse (Circuit breaker) current | | A | |
| | Power cable | | mm ² | |
| | Connection cable *3 | Cross-sectional area | | 1.5 |
| | | Limited wiring length | m | 26 |

*1: Maximum operating current is the total current of the indoor unit and the outdoor unit.

*2: Selected sample based on Japan Electrotechnical Standards and Codes Committee E0005. As the regulations of wire size and circuit breaker differ in each country or region, select appropriate devices complied to the regional standard.

*3: This is the wiring length in case voltage descent is less than 2%. When the wiring length becomes longer, select the wiring of a more larger diameter.

12. Safety devices

| Type of protection | Protection form | | Model |
|-----------------------|---|----------|--|
| | | | AOYG36KBTA5 |
| Circuit protection | Current fuse (Main PCB) | | 250 V, 5 A 250 V, 20 A 250 V, 3.15 A |
| Fan motor protection | Thermal protector | Activate | 125 ±10 °C Fan motor stop |
| | | Reset | 120 ±10 °C Fan motor restart |
| Compressor protection | Temperature thermistor (Discharge temp.) | Activate | 110 °C Compressor stop |
| | | Reset | After 7 minutes Compressor restart |
| | Temperature thermistor (Compressor bottom temp.) | Activate | 108 °C Compressor stop |
| | | Reset | After 3 minutes, and 80 °C or less Compressor restart |
| | Thermal protection program (Outdoor temp.) (Only in COOL or DRY mode) | Activate | -20 °C Compressor stop |
| | | Reset | -15 °C Compressor restart |

13. Function settings

13-1. Setting methods

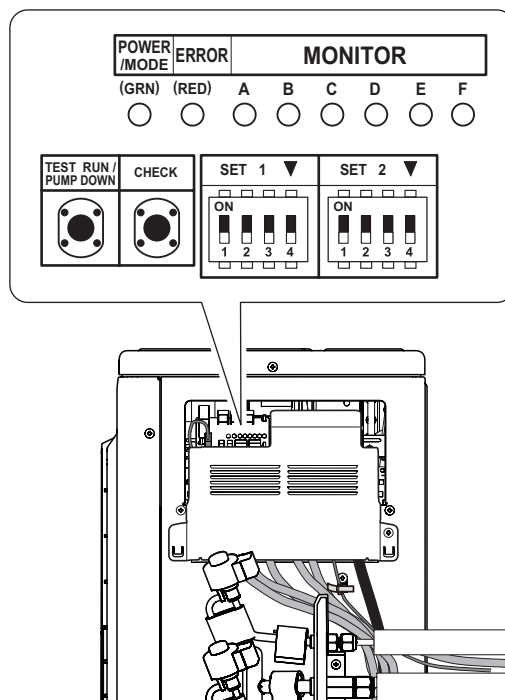
⚠ WARNING

Never touch electrical components such as the terminal blocks or reactor except the switch on the display board. It may cause a serious accident such as electric shock.

⚠ CAUTION

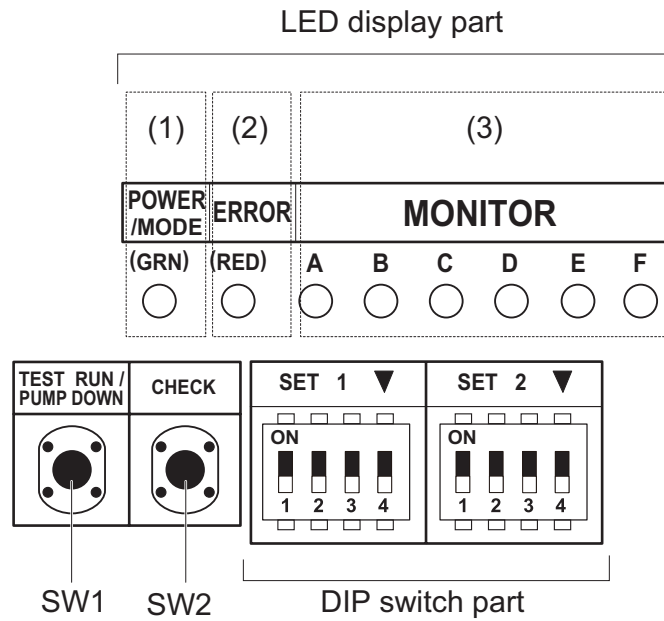
- Once refrigerant charging is completed, be sure to open the valve prior to performing the local settings. Otherwise, the compressor may fail.
- Discharge any static electricity from your body before touching the push switches. Never touch any terminal or pattern of any parts on the control board.

The positions of the switches on the outdoor unit control board are shown in the figure below.



■ Setting method

Various settings can be adjusted by changing DIP switches and push switches on the PCB of the outdoor unit.



1. Be sure to disconnect the power supply or turn off the breaker.
2. Change the DIP switch setting according to the required setting.

■ Description of display

| LED lamp | | | Function or operation method |
|----------|------------|-------|--|
| (1) | POWER/MODE | Green | <ul style="list-style-type: none"> Turns on when the power supply is ON (Including when error occurs). Indicate the MODE by the number of flashes when the installation function is active. |
| (2) | ERROR | Red | Flashes at high-speed when there is an error. |
| (3) | MONITOR | A | <ul style="list-style-type: none"> Displays the location and contents of errors when there is an error. (Refer to "Error code" on page 552 for details.) Displays when check run is activated. (Refer to "Check run" on page 545 for details.) |
| | | B | |
| | | C | |
| | | D | |
| | | E | |
| | | F | |

| Switch | | Function or operation method | Factory setting |
|--------|------|---|---------------------|
| SW1 | Push | <ul style="list-style-type: none"> For the test run start and stop. For the pump down start and stop. | — |
| SW2 | Push | <ul style="list-style-type: none"> For when check run function is activated. For displaying the check run. For resetting the Automatic wiring correction memory. | — |
| SET1-1 | DIP | For selecting cooling or heating during test operation. | OFF |
| SET1-2 | DIP | For switching SW1 operation. | OFF |
| SET1-3 | DIP | (Prohibited) | OFF (Do not change) |
| SET1-4 | DIP | For outdoor unit low noise operation function. | OFF |
| SET2-1 | DIP | For selecting outdoor unit low noise operation function. | OFF |
| SET2-2 | DIP | (Prohibited) | OFF (Do not change) |
| SET2-3 | DIP | Changing the current limit | OFF |
| SET2-4 | DIP | | |

Be sure to disconnect the power supply or turn off the breaker before changing the DIP switch setting.

13-2. Outdoor unit low noise operation function (option)

Change the outdoor unit low noise operation by using this setting.

⚠ CAUTION

- When the low noise operation function is working, cooling and heating capacity will decrease.
- When changing the settings, explain to the customer beforehand that the capacity decreases.

NOTES:

- When SET1-4 is OFF, optional Central remote controller is required to use this function.
- When SET1-4 is ON, "Operation" and "Non-operation" mode of this function cannot be switched from the Central remote controller.

| SET1-4 | Setting | Factory setting |
|--------|---|-----------------|
| ON | Continuous operation | |
| OFF | Follow the Central remote controller settings | ◆ |

| SET2-1 | Setting | Factory setting |
|--------|---------|-----------------|
| ON | Lower | |
| OFF | Low | ◆ |

13-3. Current limit function

Current value can be limited to meet specific current requirements.

NOTE: When changing this setting, explain to the customer beforehand that the capacity decreases.

| SET2-3 | SET2-4 | Current | Factory setting |
|--------|--------|---------|-----------------|
| OFF | OFF | Full | ◆ |
| ON | OFF | 16.0 A | |
| OFF | ON | 12.0 A | |

14. Check and test

14-1. Check run

- The check run is a function to screen and detect any wiring errors.
- After carrying out the check run, you can use the automatic wiring correction function to correct the wiring.
- Normal operation is possible without using the check run. In this case, use the test run or forced cooling function of the indoor unit to confirm any wiring errors.

■ Things to confirm before starting the check run

To ensure safety, check that the following work, inspections and operations have been completed.

| | Check item | Check column |
|---|--|--------------|
| 1 | Check that all work on the piping connecting the outdoor unit, indoor units has been completed. | |
| 2 | Check that all work on the wiring connecting the outdoor unit, indoor units has been completed. | |
| 3 | Is there a gas leakage? (At pipe connections [flange connections and brazed areas]) | |
| 4 | Is the system charged with the specified volume of refrigerant? | |
| 5 | Is a breaker installed at the power supply cable of outdoor unit? | |
| 6 | Are the wires connected to the terminals without looseness, and in accordance with the specifications? | |
| 7 | Is the 3-way valve of the outdoor unit open? (Gas pipe and liquid pipe) | |
| 8 | Is the power supply connected for more than 12 hours? | |

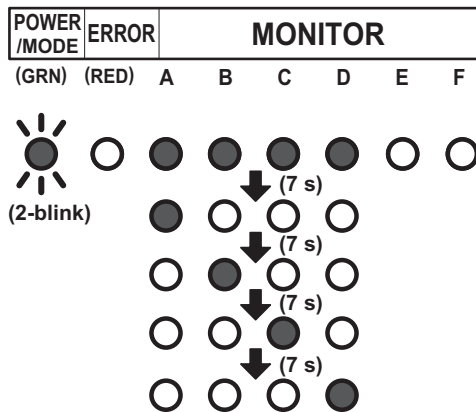
■ Restrictions applicable when performing the check run

- When the check run starts, all indoor units connected to the outdoor unit will start to run automatically. During the check run, you cannot check the operation of the indoor units separately. After the check run, check the operation of the indoor units separately in normal operation.
- The check run can be used when the temperature is within the operable temperature of the air conditioner.
- In the check run, the air conditioner will automatically switch between cooling and heating depending on the external temperature and internal temperature.
- The check run can be completed in about 30 minutes (cooling) or about 1 hour (heating), but may take more depending on the external and internal temperature conditions etc.
- Do not conduct the check run with all the windows in the room closed. Otherwise the room temperature could get too low or too high.
- Depending on the difference of the room temperature of each room, a judgment may be impossible.
- Check run is a special operation so there may be a noise louder than the normal refrigerant flow sound or a creaking noise.

4. After the check run is completed, results will be displayed. Fill the displayed results in the result table accordingly.

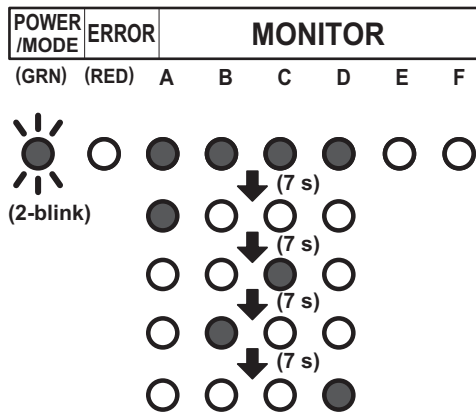
- **If the connection is correct (Example: When 4 indoor units are connected)**

After the number of connected units are displayed, the LED for each unit will light up in order from A to D.



- **If the connection is incorrect (Example: When connection of B and C of the 4 units are reversed)**

After the number of connected units are displayed, B and C will light up in reverse.



NOTES:

- Automatic wiring correction will not be completed if the power supply is disconnected while displaying the results. To confirm the automatic wiring correction, be sure to carry out step 5.
- If frost is formed on the outdoor unit while displaying the results, automatic defrost function will be operated. Proceed to step 5 after the defrost function is finished.

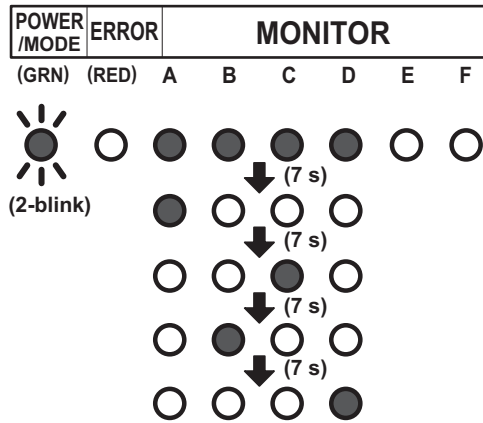
[How to record the contents]

- Fill the displayed results according to the following example.

Example: When piping A to D is connected but the wires for B and C are connected in reverse.

<Displayed results>

The LEDs will light up in 7 second intervals in the following order.



<Example of result table>

- Write a ● where the LEDs light up in the order that they light up.

| | A | B | C | D | E | F |
|---|---|---|---|---|---|---|
| 1 | ● | ● | ● | ● | ○ | ○ |
| 2 | ● | ○ | ○ | ○ | ○ | ○ |
| 3 | ○ | ○ | ● | ○ | ○ | ○ |
| 4 | ○ | ● | ○ | ○ | ○ | ○ |
| 5 | ○ | ○ | ○ | ● | ○ | ○ |
| 6 | ○ | ○ | ○ | ○ | ○ | ○ |
| 7 | ○ | ○ | ○ | ○ | ○ | ○ |

- Based on the results of step (a), record as follows.

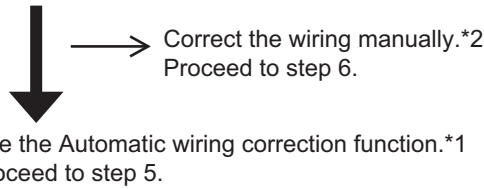
- Trace the dotted circle with a pen if multiple places light up.

| A | B | C | D | E | F |
|---|---|---|---|---|---|
| ○ | ○ | ○ | ○ | ⋯ | ⋯ |

- Write the order from A to D in which the LEDs lit up inside the circle.

| A | B | C | D | E | F |
|---|---|---|---|---|---|
| Ⓐ | Ⓒ | Ⓑ | Ⓓ | ⋯ | ⋯ |

c. Select the correction method.



Write down the same results in the label on the reverse side of the service panel.
The results recorded are needed at the time of servicing.

<Result Table>

| | A | B | C | D | E | F |
|---|---|---|---|---|---|---|
| 1 | ○ | ○ | ○ | ○ | ○ | ○ |
| 2 | ○ | ○ | ○ | ○ | ○ | ○ |
| 3 | ○ | ○ | ○ | ○ | ○ | ○ |
| 4 | ○ | ○ | ○ | ○ | ○ | ○ |
| 5 | ○ | ○ | ○ | ○ | ○ | ○ |
| 6 | ○ | ○ | ○ | ○ | ○ | ○ |
| 7 | ○ | ○ | ○ | ○ | ○ | ○ |

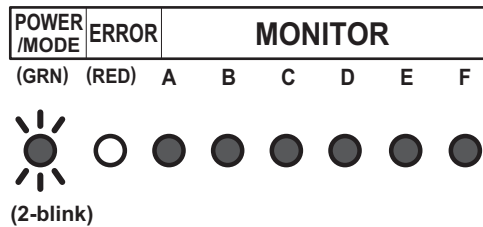
| A | B | C | D | E | F |
|---|---|---|---|---|---|
| ○ | ○ | ○ | ○ | ○ | ○ |

NOTES:

- *1: By using this function, the wiring is automatically corrected according to the piping.
- *2: When correcting the wiring manually, please disconnect the power supply or turn off the breaker during results display, and then change the wiring manually according to the obtained test results.

For example, in Example 1, the wirings connected to the terminals B and C is to be exchanged manually.

- During results display, press the CHECK switch for 3 seconds or more.
After LEDs A to F have lit in turn, all LEDs will light up indicating that the automatic wiring correction is completed.



- Disconnect the power supply or turn off the breaker and wait 10 minutes then turn the power back on and perform test run.

NOTE: If you do not disconnect the power supply or turn off the breaker, normal operation is not possible.

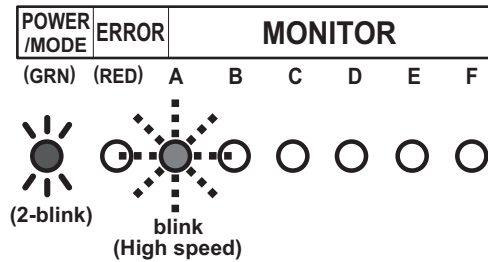
Notices:

- If an error occurs during check run it will be suspended. Correct the error and start check run again.
- After the check run, if automatic wiring correction is carried out, the indoor unit's position will be modified to match the piping. (Note that the display of the optional remote controller changes.)
- If you start check run again after the automatic wiring correction is finished, the modification will be reset.

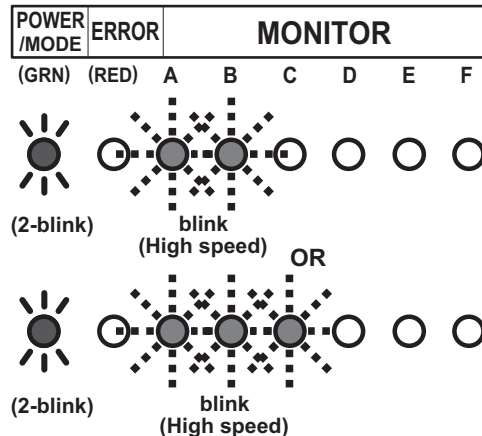
■ Failure indication of check-run judgment

The check run stops when there is an error, and the LED shows the relevant error indication. When you encounter the errors described here, perform checking by using the cooling test run of the indoor unit.

• Temperature out of range judgment



• Wiring/piping number difference



■ Redisplaying the results of check run

- When checking the content of automatic wiring correction, push the CHECK switch. The results of the check run is displayed. You can compare the result that is recorded in step (4) of Chapter 14-1-3. "[Operating procedure for check run](#)" on page 456.
- If the automatic wiring correction is not completed, the POWER/MODE LED blinks twice and the MONITOR LED turns off.

■ Memory resetting of automatic wiring correction

⚠ CAUTION

When relocating the unit, reset the memory beforehand, or the unit may not function normally.

- Push the CHECK switch.
The LED lights as shown in "[Redisplaying the results of check run](#)" on page 460.
- When the LED is on, press the CHECK switch for more than 3 seconds.
- The LEDs from A to F light in sequence, and then all LEDs light to indicate the completion of the memory resetting of automatic wiring correction.
- Disconnect the power supply or turn off the breaker.

14-2. Test run

⚠ CAUTION

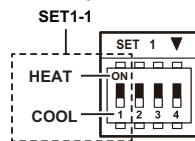
Always connect the power supply 12 hours prior to the start of the operation in order to protect the compressor.

1. Indoor unit
 - a. Is the drain normal?
 - b. Is there any abnormal noise and vibration during operation?
 2. Outdoor unit
 - a. Is there any abnormal noise and vibration during operation?
 - b. Will noise, wind, or drain water from the unit disturb the neighbors?
 - c. Is there any gas leakage?
- Do not operate the air conditioner in the test running state for a long time.
 - For the operation method of the test run for indoor unit and central remote controller, refer to the operating manual and perform operation check.

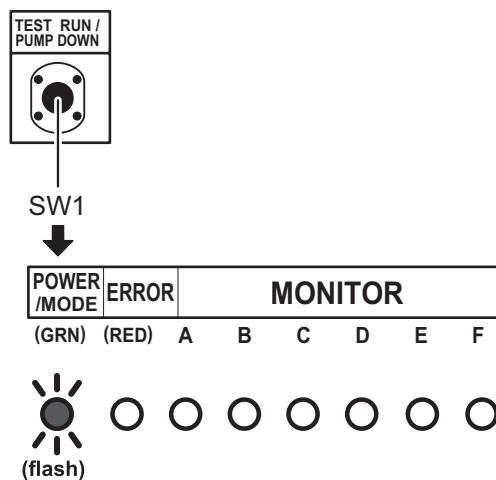
■ Test run method

Be sure to temporarily disconnect the power supply or turn off the breaker before changing the DIP switch settings.

1. Check the 3-way valves (both at the liquid side and gas side) are opened. Confirm that the DIP switch SET1-2 is switched off.
2. Set the operation mode to COOL or HEAT. When switching the DIP switch SET1-1 between HEAT and COOL, disconnect the power supply or turn off the circuit breaker beforehand.

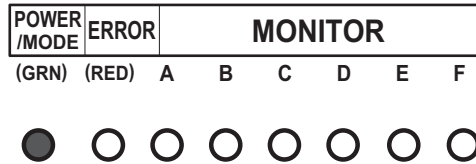


- In the first test run, be sure to set the operation mode to COOL.
- The operation mode cannot be switched between COOL and HEAT during the test run. To switch the operation mode between COOL and HEAT, stop the test run, switch the operation mode, and then start the test run again.
3. Push TEST RUN switch for more than 3 seconds. The POWER / MODE LED flashes once.



4. Confirm operating status.

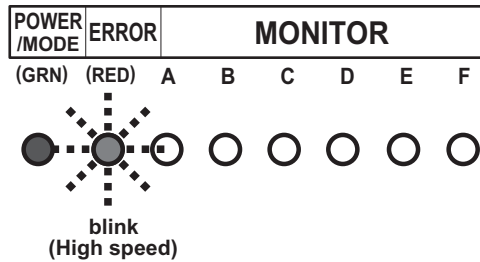
5. Push TEST RUN switch for more than 3 seconds.



POWER/MODE LED will turn on, and test run stops.

14-3. Error code

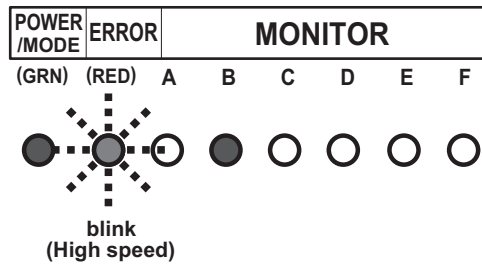
If an error occurs, the LED lights to inform the relevant location and the code. When error occurs, the error LED blinks at high speed.



■ Error location

LEDs A to F of MONITOR light and indicate the location of the error. In the case of an overall error, LEDs A to F of MONITOR do not light.

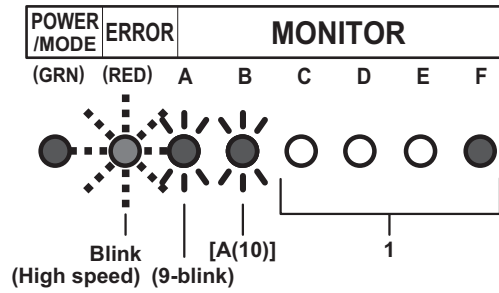
Example: Coil error on indoor unit B



■ Error code display

While the error is occurring, briefly push the SW1. The error code is displayed.

Example: Coil error (Error cord = 9A.1)



Display mode

LED on: ●

LED off: ○

Blink: 
 (0.5s Light on / 0.5s Light off)

Number of blinking: ()

For MONITOR (A and B)

- A: 10-blink
- C: 11-blink
- F: 12-blink
- J: 13-blink
- P: 14-blink
- U: 15-blink

| C | D | E | F | |
|---|---|---|---|-----|
| ○ | ○ | ○ | ● | → 1 |
| ○ | ○ | ● | ○ | → 2 |
| ○ | ○ | ● | ● | → 3 |
| ○ | ● | ○ | ○ | → 4 |
| ○ | ● | ○ | ● | → 5 |
| ○ | ● | ● | ○ | → 6 |
| ○ | ● | ● | ● | → 7 |
| ● | ○ | ○ | ○ | → 8 |
| ● | ○ | ○ | ● | → 9 |
| ● | ○ | ● | ○ | → A |
| ● | ○ | ● | ● | → C |
| ● | ● | ○ | ○ | → F |
| ● | ● | ○ | ● | → J |
| ● | ● | ● | ○ | → P |
| ● | ● | ● | ● | → U |

OUTDOOR UNIT
AOYG36KBT A5

OUTDOOR UNIT
AOYG36KBT A5

| Error code | Error type |
|------------|---|
| 11.3 | Serial communication error |
| 11.4 | Serial communication error during operation |
| 16.5 | Communication error between controller and outdoor unit |
| 22.1 | Indoor unit capacity error |
| 23.1 | Connection prohibited (Series error) |
| 5U.1 | Indoor unit error |
| 62.1 | PCB model information error |
| 62.3 | EEPROM access error |
| 62.8 | EEPROM data corruption error |
| 63.1 | Inverter error |
| 65.3 | IPM error (Trip terminal L error) |
| 71.1 | Discharge temp. sensor error |
| 72.1 | Compressor temp. sensor error |
| 73.2 | Heat exchanger middle temp. sensor error |
| 73.3 | Heat exchanger liquid temp. sensor error |
| 74.1 | Outdoor temp. sensor error |
| 75.1 | Suction gas temp. sensor error |
| 76.1 | Valve sensor error |
| 76.2 | |
| 77.1 | Heat sink temp. sensor error |
| 84.1 | Current sensor 1 error (stoppage permanently) |
| 86.1 | Discharge pressure sensor error |
| 86.4 | High pressure switch 1 error |
| 94.1 | Trip detection |
| 95.1 | Compressor motor control error (stoppage permanently) |
| 97.3 | Fan motor 1 error (Duty error) |
| 98.3 | Fan motor 2 error (Duty error) |
| 99.1 | 4-way valve error |
| 9A.1 | Coil 1 (expansion valve 1) error |
| A1.1 | Discharge temperature 1 error (stoppage permanently) |
| A3.1 | Compressor 1 temperature error |

14-4. Pump down

⚠ WARNING

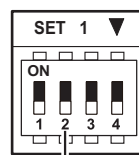
During the pump down operation, make sure that compressor is off before you remove the refrigerant pipe. Do not remove the connection pipe while the compressor is in operation with valve open. This may cause abnormal pressure in the refrigeration cycle that leads to breakage and even injury.

■ Pump down operation

When moving or discarding the air conditioner, in order to consider the environment and avoid the discharge of refrigerant to the atmosphere, pump down according to the following procedure.

1. Connect the pressure gauge to the charging port.
2. Change the DIP switch on the board (SET1-2) to ON.

NOTE: Disconnect the power supply firmly on the breaker before changing the DIP switch settings.



DIP switch
(SET1-2)

3. To start operation, push the PUMP DOWN switch (SW1) for 3 seconds or push the switch after the power has been on for 3 minutes.



Push switch (SW1)

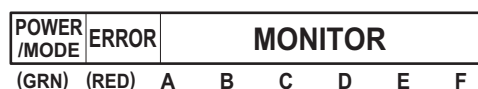
During pump down, the LED (POWER/MODE) blinks 3 times consecutively.



(3-blink)

NOTE: If the PUMP DOWN switch (SW1) is pushed while the compressor is in operation, the compressor stops and the operation restart after about 3 minutes.

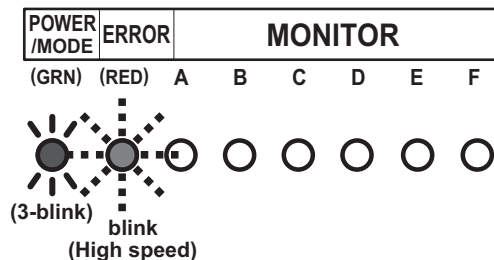
4. Close the liquid pipe valve.
5. When the value between 7.3 psi and 0 psi (0.05 MPa to 0 MPa) is shown, close the gas pipe valve.
6. Stop the pump down operation by pushing the PUMP DOWN switch (SW1) for 3 seconds. The LED light as follows.



(3-blink)

7. Disconnect the power supply or turn off the breaker.


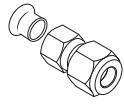

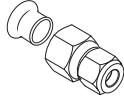

- NOTE:**
- Even if the pump down operation is not stopped by pushing the switch as in step 6, the operation stops automatically after 15 minutes, and the LED light as follows.




- After completing the pump down operation, disconnect the power supply or turn off the breaker.
 - If the pump down operation still continues, open the liquid pipe valve. Then perform the procedure again starting from step 3.
- To cancel the pump down operation, push the PUMP DOWN switch (SW1) again. The indication of the LED returns to the original state which is before starting the pump down operation.
(POWER/MODE LED: On)
 - The pump down may stop before completion due to an error. To complete the pump down operation, correct the error, open the liquid pipe valve and then start from step 1 again. Otherwise, the refrigerant can be recovered from the service port.

15. Accessories

15-1. Model: AOYG36KBTA5

| Part name | Exterior | Qty | Part name | Exterior | Qty |
|---------------------|---|-----|---|---|-----|
| Installation manual |  | 1 | Adapter K: mm (in) 12.70 (1/2) to 9.52 (3/8) |  | 2 |
| Drain pipe |  | 1 | Adapter H: mm (in) 9.52 (3/8) to 12.70 (1/2) |  | 1 |
| Cable tie (small) |  | 1 | | | |

16. Optional parts

| Exterior | Part name | Model name | Summary |
|---|---------------------------|------------|--|
|  | Central Remote Controller | UTY-DMMYM1 | <p>Set temperatures on timers to best meet individuals' needs. Includes a large backlit LCD and 4-way navigation pad.</p> <p>Remote controller cable: 0.33 mm² (22AWG)</p> <p>NOTES:</p> <ul style="list-style-type: none"> The remote controller cable supplied with this controller is for indoor use. If the cable for outdoor use is required, purchase an appropriate cable locally. Material is not specified. However, it should be selected considering the installing environment (temperature, humidity), and regional regulations (RoHS Directive, etc.). The cable from the central remote controller should be connected to connector (P400) of the outdoor unit. |

17. Outdoor unit installation precautions

NOTE: The information listed below are general precautions.
Some models also include items that do not apply.

17-1. Places where prohibited for use

- Places where there is a danger of combustible gas leakage.
- Places where sulfur gas, chlorine gas, acid, alkali, or other matter which effects equipment is generated.
- Places affected by heat radiation from other heat sources.
- Places where the air is stagnant.
- Places where machinery which generates high frequencies is used.
- Ocean beaches and other areas where there is a lot of salt.
- Inside of vehicles, ships, and other conveyances.
- Places where voltage fluctuations are large such as a factory.

17-2. Points to remember when installing

- The product shall be installed at a place which can withstand the weight and vibration of the outdoor unit.
- To allow maintenance after refrigerant piping, drain piping, and the connection/installation of electric wiring, provide an maintenance space.
Maintenance space is shown in "[Installation space](#)" on page 473.
- Be careful when installing the set at the following places.

| Condition | Contents | Countermeasures (Reference) |
|---|--|--|
| When installed near adjacent houses. | Perform installation work so that operating sound does not disturb the neighbors. | <ol style="list-style-type: none"> 1. Install a soundproof barrier. 2. Change the installation site. |
| When there is the possibility of strong wind. | <ul style="list-style-type: none"> • If the outdoor unit is exposed to strong wind, capacity may drop, frost may form during heating, and operation may be stopped by high pressure rise. In addition, when a very strong wind blows, the fan may be damaged. • When a very strong wind blows, there is the possibility of the outdoor unit being toppled over if held only by foundation bolts. | <ol style="list-style-type: none"> 1. Install the outdoor unit with keeping a sufficient distance between the outlet side of the unit and a facing wall or fence. 2. Make the outlet direction and wind direction perpendicular. 3. Fasten the outdoor unit using toppling prevention hardware (purchased locally). |
| When snow accumulates. | If the outdoor unit is covered by accumulated snow, it may not be able to operate. | <ol style="list-style-type: none"> 1. Make the foundation as high as possible. 2. Perform snow prevention work. |
| When installing the inverter type. | It may generate noise in TV sets, stereos and PCs. | The inverter type should be installed at a sufficient distance from these equipments. |