

AIR CONDITIONER

Wall mounted type

DESIGN & TECHNICAL MANUAL

INDOOR



ASYG18KMTE
ASYG24KMTE

OUTDOOR



AOYG18KMTA



AOYG24KMTA

FUJITSU GENERAL LIMITED

Notices:

- Product specifications and design are subject to change without notice for future improvement.
- For further details, please check with our authorized dealer.

Trademarks

FGLair™ is trademark of Fujitsu General Limited in the United States, other countries or both.

Google Play™ is trademark of Google LLC.

App Store® is a service mark of Apple Inc., registered in the U.S. and other countries.

CONTENTS

Part 1. INDOOR UNIT	1
1. Specifications	2
2. Dimensions	4
2-1. Models: ASYG18KMTE and ASYG24KMTE	4
3. Wiring diagrams	6
3-1. Models: ASYG18KMTE and ASYG24KMTE	6
4. Capacity table	7
4-1. Cooling capacity.....	7
4-2. Heating capacity	8
5. Fan performance	9
5-1. Air velocity distributions.....	9
5-2. Airflow	11
6. Operation noise (sound pressure)	13
6-1. Noise level curve.....	13
6-2. Sound level check point	14
7. Safety devices	15
8. External input and output	16
8-1. External input.....	17
8-2. External output.....	20
8-3. Setting of external input and output	22
8-4. Details of control input function	23
8-5. Details of control output function	27
9. Group connection	29
10. Remote controller	30
10-1. Wireless remote controller	30
11. Function settings	32
11-1. Function settings by using remote controller.....	32
11-2. Custom code setting for wireless remote controller.....	38
12. Accessories	39
12-1. Models: ASYG18KMTE and ASYG24KMTE	39
13. Optional parts	40
13-1. Controllers	40
13-2. Others	41

CONTENTS (continued)

Part 2. OUTDOOR UNIT	43
1. Specifications	44
2. Dimensions	45
2-1. Model: AOYG18KMTA	45
2-2. Model: AOYG24KMTA	46
3. Installation space	47
3-1. Models: AOYG18KMTA and AOYG24KMTA	47
4. Refrigerant circuit	50
4-1. Model: AOYG18KMTA	50
4-2. Model: AOYG24KMTA	51
5. Wiring diagrams	52
5-1. Model: AOYG18KMTA	52
5-2. Model: AOYG24KMTA	52
6. Capacity compensation rate for pipe length and height difference	53
6-1. Model: AOYG18KMTA	53
6-2. Model: AOYG24KMTA	54
7. Additional charge calculation	55
7-1. Model: AOYG18KMTA	55
7-2. Model: AOYG24KMTA	55
8. Airflow	56
8-1. Model: AOYG18KMTA	56
8-2. Model: AOYG24KMTA	56
9. Operation noise (sound pressure)	57
9-1. Noise level curve.....	57
9-2. Sound level check point	58
10. Electrical characteristics	59
11. Safety devices	60
12. Accessories	61
12-1.Models: AOYG18KMTA and AOYG24KMTA	61

Part 1. INDOOR UNIT

WALL MOUNTED TYPE:

ASYG18KMTE

ASYG24KMTE

1. Specifications

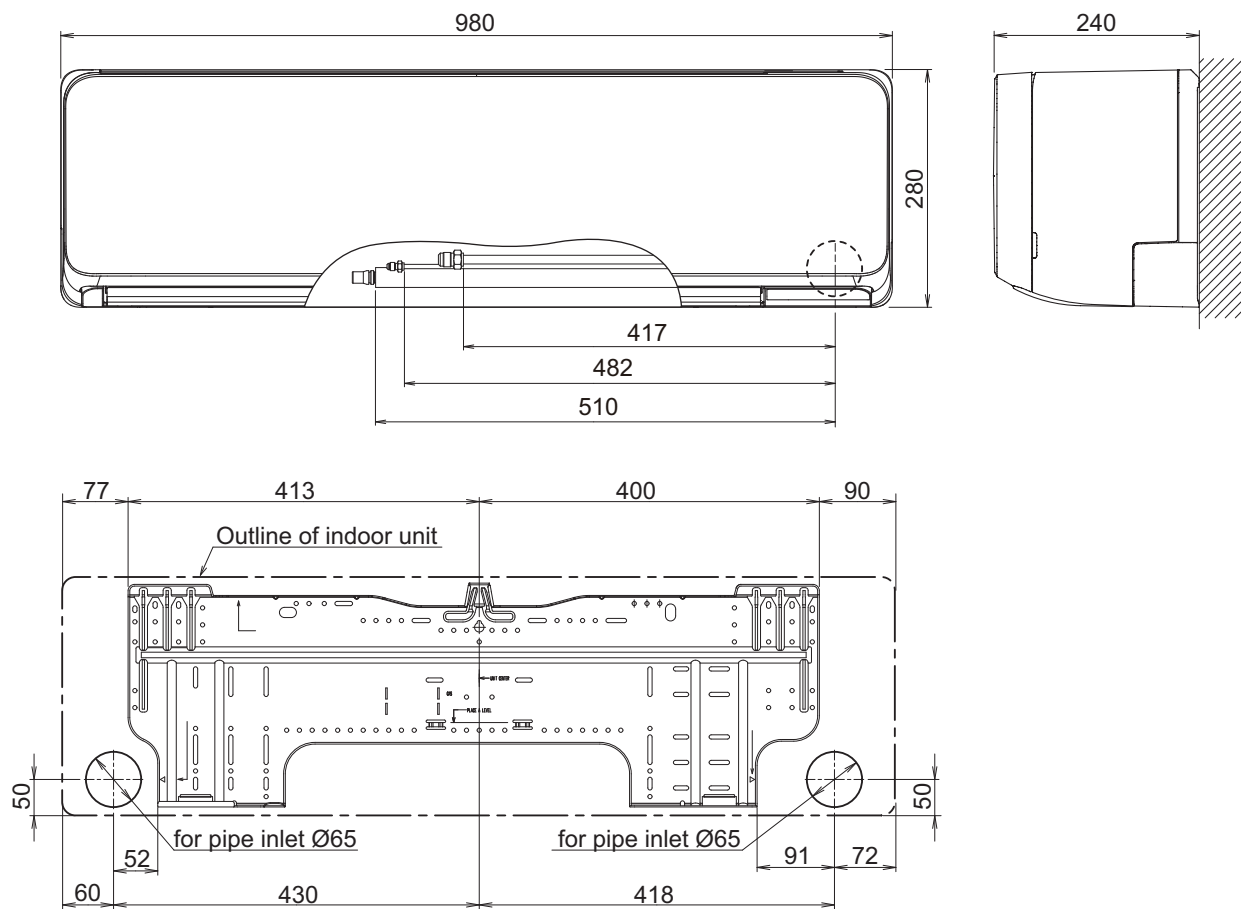
Type				Wall mounted		
				Inverter heat pump		
Model name				ASYG18KMTE	ASYG24KMTE	
Power supply				230 V ~ 50 Hz		
Power supply intake				Outdoor unit		
Available voltage range				198—264 V		
Capacity	Cooling	Rated	kW	5.20	7.10	
			Btu/h	17,700	24,200	
		Min.—Max.	kW	0.90—6.00	0.90—8.30	
			Btu/h	3,100—20,500	3,100—28,300	
	Heating	Rated	kW	6.30	8.00	
			Btu/h	21,500	27,200	
Min.—Max.		kW	0.90—8.70	0.90—10.10		
		Btu/h	3,100—29,600	3,000—34,400		
Input power	Cooling	Rated	kW	1.39		
				Min.—Max.	0.09—1.66	
	Heating	Rated	kW	1.56		
				Min.—Max.	0.09—2.86	
	Fan	HIGH	W	37.5		
				MED	26.7	
				LOW	13.3	
				QUIET	8.2	
Current	Cooling	Rated	A	6.1		
				Heating	7.0	
EER	Cooling		kW/kW	3.74		
COP	Heating		kW/kW	4.04		
Sensible capacity	Cooling		kW	4.05		
Power factor	Cooling		%	98		
	Heating		%	98		
Moisture removal			L/h (pints/h)	1.7 (3.0)		
Maximum operating current *1	Cooling		A	9.5		
	Heating		A	13.5		
Fan	Airflow rate	Cooling	m ³ /h	HIGH	980	
				MED	810	
				LOW	640	
				QUIET	510	
		Heating	HIGH	1,020		
			MED	850		
			LOW	640		
			QUIET	510		
	Type × Q'ty	Crossflow fan × 1				
	Motor output	W				
Sound pressure level *2	Cooling	dB (A)	HIGH	45	49	
			MED	40	40	
			LOW	35	35	
			QUIET	29	29	
	Heating	HIGH	46	49		
		MED	40	40		
		LOW	35	35		
		QUIET	29	29		
		Main1: 210 × 798 × 26.6, Main2: 135 × 798 × 20				
		Sub1: 84 × 798 × 13.3, Sub2: 84 × 798 × 13.3				
Main1: 1.2, Main2: 1.1						
Sub1: 1.4, Sub2: 1.4						
Main1: 2 × 10, Main2: 2 × 8						
Sub1: 1 × 4, Sub2: 1 × 4						
Copper						
Aluminum						
Polystyrene						
White						
Approximate color of Munsell N 9.25/						
280 × 980 × 240						
322 × 1,078 × 346						
12.5						
18						
Ø6.35 (Ø1/4)						
Ø12.70 (Ø1/2)						
Flare						
PP + HDPE						
Ø13.8 (I.D.), Ø15.8 to Ø16.7 (O.D.)						
18 to 32						
80 or less						
16 to 30						
Remote control				Wireless remote controller (Option: Wired remote controller, Mobile app*3 [FGLair™])		
NOTES:						
<ul style="list-style-type: none"> Specifications are based on the following conditions: <ul style="list-style-type: none"> Cooling: Indoor temperature of 27 °CDB/19 °CWB, and outdoor temperature of 35 °CDB/24 °CWB. Heating: Indoor temperature of 20 °CDB/15 °CWB, and outdoor temperature of 7 °CDB/6 °CWB. Pipe length: 5 m, Height difference: 0 m. (Between outdoor unit and indoor unit.) Protective function might work when using it outside the operation range. *1: Maximum operating current is the total current of the indoor unit and the outdoor unit. *2: Sound pressure level: <ul style="list-style-type: none"> Measured values in manufacturer's anechoic chamber. Because of the surrounding sound environment, the sound levels measured in actual installation conditions might be higher than the specified values here. *3: Available on Google Play™ store or on App Store®. Optional WLAN adapter is also required. For details, refer to the setting manual. 						

Specifications for ErP Lot10				
Model name		ASYG18KMTE		ASYG24KMTE
Energy efficiency class	Cooling	A ⁺⁺		
	Heating (Average)	A ⁺⁺		A ⁺
Pdesign	Cooling	kW	5.2 (35°C)	7.1 (35°C)
	Heating (Average)		4.8 (-10°C)	7.1 (-10°C)
SEER	Cooling	kWh/kWh	7.77	7.30
SCOP	Heating (Average)		4.60	4.20
Annual energy consumption	QCE	kWh/a	234	340
	QHE (Average)		1,460	2,362
Sound power level	Cooling	HIGH	dB (A)	60
	Heating			61

2. Dimensions

2-1. Models: ASYG18KMTE and ASYG24KMTE

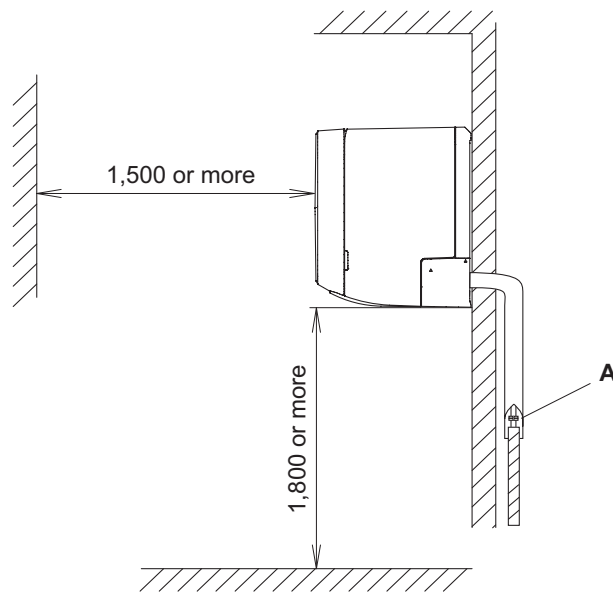
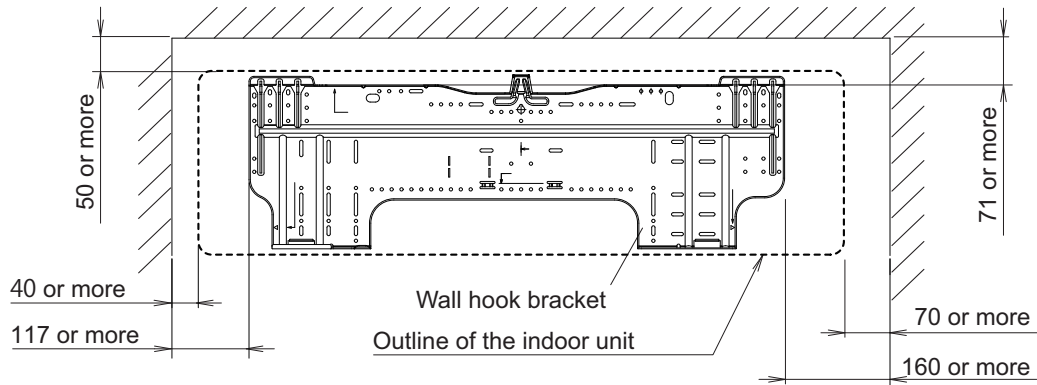
Unit: mm



■ Installation space requirement

Provide sufficient installation space for product safety.

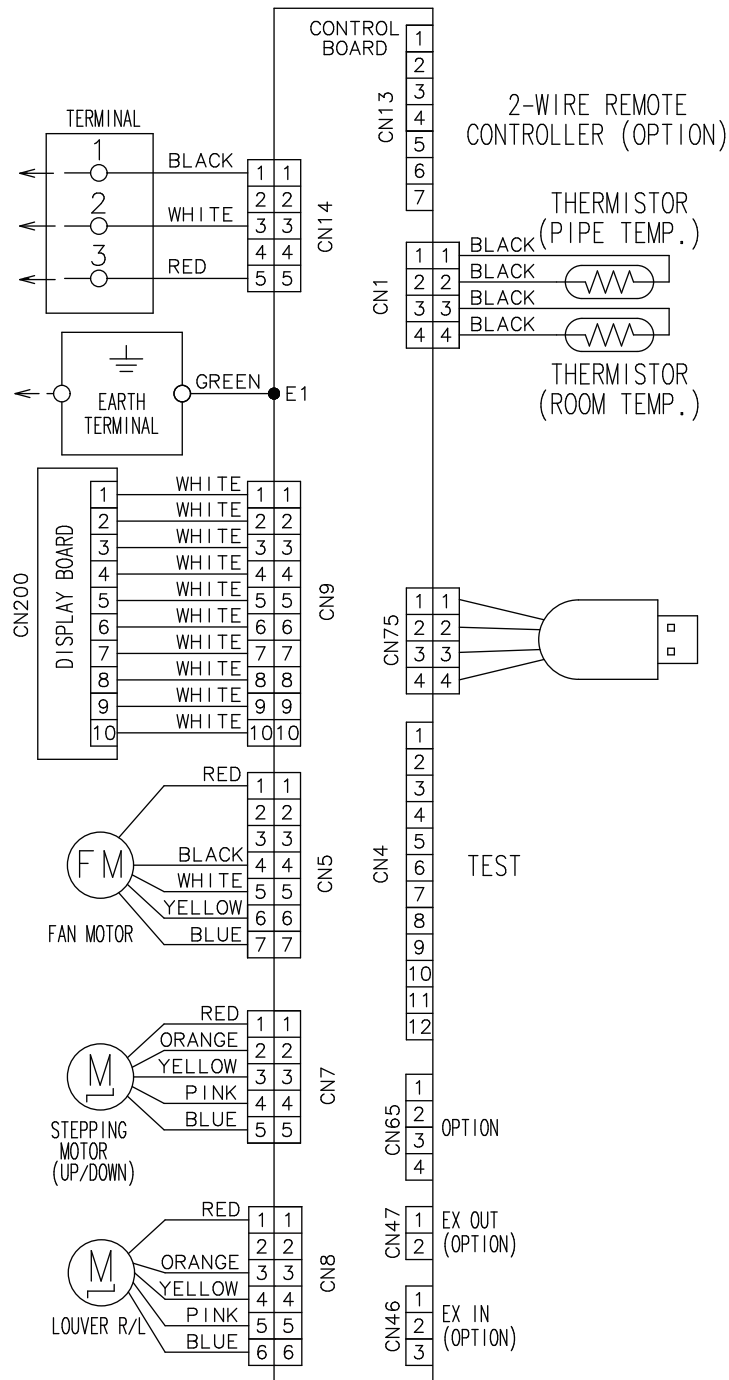
Unit: mm



A: Install so that the flare connection part is outdoors.

3. Wiring diagrams

3-1. Models: ASYG18KMTE and ASYG24KMTE



4. Capacity table

Capacity tables show each of following values calculated based on the outdoor temperature and the indoor temperature, under given Airflow Rate (AFR):

For cooling capacity: Total Capacity (TC), Sensible Heat Capacity (SHC), and Input Power (IP)

For heating capacity: Total Capacity (TC) and Input Power (IP)

4-1. Cooling capacity

■ Model: ASYG18KMTE

AFR		m ³ /h																		980					
Outdoor temperature	Indoor temperature																								
	°CDB			18			21			23			25			27			29			32			
	°CWB			12			15			16			18			19			21			23			
	°CDB			TC	SHC	IP	TC	SHC	IP	TC	SHC	IP	TC	SHC	IP	TC	SHC	IP	TC	SHC	IP	TC	SHC	IP	
			kW			kW			kW			kW			kW			kW			kW				
-10	3.18	2.84	0.46	3.48	3.11	0.46	3.59	3.21	0.46	3.82	3.41	0.47	3.93	3.52	0.47	4.19	3.75	0.48	4.47	3.99	0.48				
-5	2.98	2.76	0.55	3.26	3.02	0.55	3.36	3.11	0.56	3.58	3.31	0.56	3.69	3.41	0.57	3.93	3.63	0.58	4.19	3.87	0.58				
0	2.78	2.68	0.64	3.05	2.93	0.65	3.14	3.02	0.65	3.34	3.21	0.66	3.44	3.31	0.67	3.67	3.52	0.67	3.91	3.76	0.68				
5	3.12	2.81	0.44	3.41	3.07	0.44	3.52	3.17	0.45	3.74	3.37	0.45	3.86	3.47	0.45	4.11	3.70	0.46	4.38	3.94	0.46				
10	2.95	2.74	0.52	3.23	3.00	0.53	3.33	3.09	0.53	3.54	3.29	0.54	3.65	3.39	0.54	3.88	3.61	0.55	4.14	3.85	0.55				
15	3.83	3.11	0.57	4.19	3.40	0.57	4.32	3.51	0.58	4.60	3.73	0.58	4.74	3.84	0.59	5.05	4.09	0.60	5.38	4.37	0.60				
20	4.61	3.45	0.93	5.05	3.77	0.94	5.20	3.89	0.95	5.53	4.13	0.96	5.70	4.26	0.97	6.07	4.54	0.98	6.48	4.84	0.99				
25	4.49	3.40	1.05	4.92	3.72	1.06	5.07	3.83	1.07	5.39	4.08	1.08	5.56	4.20	1.09	5.92	4.48	1.10	6.31	4.77	1.11				
30	4.35	3.34	1.19	4.76	3.65	1.20	4.91	3.76	1.21	5.22	4.00	1.23	5.38	4.13	1.24	5.73	4.40	1.25	6.11	4.69	1.26				
35	4.21	3.28	1.33	4.60	3.59	1.35	4.74	3.69	1.36	5.04	3.93	1.38	5.20	4.05	1.39	5.54	4.32	1.40	5.91	4.60	1.42				
40	3.92	3.14	1.42	4.29	3.44	1.44	4.42	3.54	1.45	4.70	3.77	1.47	4.85	3.88	1.48	5.17	4.14	1.50	5.51	4.41	1.51				
46	3.45	2.91	1.47	3.78	3.18	1.48	3.90	3.28	1.50	4.14	3.48	1.51	4.27	3.59	1.53	4.55	3.83	1.55	4.85	4.08	1.56				

■ Model: ASYG24KMTE

AFR		m ³ /h																		1,170					
Outdoor temperature	Indoor temperature																								
	°CDB			18			21			23			25			27			29			32			
	°CWB			12			15			16			18			19			21			23			
	°CDB			TC	SHC	IP	TC	SHC	IP	TC	SHC	IP	TC	SHC	IP	TC	SHC	IP	TC	SHC	IP	TC	SHC	IP	
			kW			kW			kW			kW			kW			kW			kW				
-10	4.34	3.72	0.68	4.75	4.07	0.69	4.90	4.20	0.70	5.21	4.46	0.70	5.37	4.60	0.71	5.72	4.90	0.72	6.10	5.23	0.72				
-5	4.07	3.61	0.82	4.46	3.95	0.83	4.59	4.07	0.84	4.88	4.33	0.84	5.03	4.46	0.85	5.36	4.76	0.86	5.72	5.07	0.87				
0	3.80	3.50	0.96	4.16	3.83	0.97	4.28	3.95	0.98	4.56	4.20	0.99	4.70	4.33	1.00	5.01	4.61	1.01	5.34	4.92	1.02				
5	4.26	3.68	0.65	4.66	4.02	0.66	4.80	4.14	0.67	5.11	4.41	0.67	5.27	4.54	0.68	5.61	4.84	0.69	5.98	5.16	0.69				
10	4.03	3.59	0.78	4.41	3.92	0.79	4.54	4.04	0.80	4.83	4.30	0.81	4.98	4.43	0.81	5.30	4.72	0.82	5.65	5.04	0.83				
15	5.23	4.07	0.85	5.73	4.45	0.85	5.90	4.59	0.86	6.27	4.88	0.87	6.47	5.03	0.88	6.89	5.36	0.89	7.35	5.71	0.90				
20	6.29	4.51	1.39	6.89	4.94	1.41	7.10	5.09	1.42	7.55	5.41	1.44	7.78	5.58	1.45	8.29	5.95	1.46	8.84	6.34	1.48				
25	6.14	4.45	1.56	6.71	4.87	1.58	6.92	5.02	1.60	7.36	5.34	1.61	7.59	5.50	1.63	8.08	5.86	1.65	8.62	6.25	1.66				
30	5.94	4.37	1.78	6.50	4.78	1.80	6.70	4.93	1.82	7.12	5.24	1.84	7.34	5.40	1.86	7.82	5.75	1.87	8.34	6.13	1.89				
35	5.74	4.29	2.00	6.28	4.69	2.02	6.48	4.83	2.04	6.89	5.14	2.06	7.10	5.30	2.08	7.57	5.65	2.10	8.07	6.02	2.12				
40	5.36	4.11	2.13	5.86	4.50	2.15	6.04	4.63	2.18	6.42	4.93	2.20	6.62	5.08	2.22	7.05	5.41	2.24	7.52	5.77	2.26				
46	4.72	3.80	2.20	5.16	4.16	2.22	5.32	4.29	2.24	5.66	4.56	2.27	5.83	4.70	2.29	6.21	5.01	2.31	6.62	5.34	2.34				

4-2. Heating capacity

NOTE: Values mentioned in the table are calculated based on the maximum capacity.

Model: ASYG18KMTE

AFR	m ³ /h	1,020
-----	-------------------	-------

		Indoor temperature														
		16		18		20		22		24		26		28		
		TC	IP	TC	IP	TC	IP	TC	IP	TC	IP	TC	IP	TC	IP	
Outdoor temperature	°CDB	°CWB	kW		kW		kW		kW		kW		kW		kW	
	-15	-16	5.17	1.92	5.04	1.96	4.90	2.00	4.76	2.04	4.63	2.08	4.49	2.12	4.36	2.16
	-10	-11	6.23	1.89	6.06	1.93	5.90	1.98	5.74	2.01	5.57	2.04	5.41	2.09	5.25	2.13
	-5	-7	7.31	2.11	7.12	2.15	6.93	2.07	6.74	2.24	6.55	2.28	6.36	2.33	6.17	2.37
	0	-2	8.45	2.71	8.23	2.76	8.01	2.70	7.79	2.87	7.57	2.93	7.34	2.99	7.12	3.05
	5	3	9.36	3.18	9.11	3.25	8.87	3.32	8.63	3.38	8.38	3.44	8.14	3.52	7.89	3.58
	7	6	9.18	2.75	8.94	2.80	8.70	2.86	8.46	2.91	8.22	2.97	7.98	3.03	7.74	3.09
	10	8	9.29	2.64	9.05	2.69	8.81	2.79	8.56	2.81	8.32	2.86	8.08	2.92	7.83	2.97
	15	10	9.35	2.28	9.11	2.32	8.86	2.46	8.62	2.42	8.37	2.46	8.13	2.52	7.88	2.56
	20	15	9.42	2.04	9.17	2.09	8.93	2.17	8.68	2.17	8.43	2.21	8.19	2.26	7.94	2.30
24	18	9.48	1.89	9.23	1.93	8.98	1.97	8.73	2.01	8.48	2.05	8.24	2.09	7.99	2.13	

Model: ASYG24KMTE

AFR	m ³ /h	1,170
-----	-------------------	-------

		Indoor temperature														
		16		18		20		22		24		26		28		
		TC	IP	TC	IP	TC	IP	TC	IP	TC	IP	TC	IP	TC	IP	
Outdoor temperature	°CDB	°CWB	kW		kW		kW		kW		kW		kW		kW	
	-15	-16	6.56	2.76	6.39	2.81	6.22	2.87	6.05	2.93	5.88	2.98	5.70	3.05	5.53	3.10
	-10	-11	7.41	2.83	7.21	2.89	7.02	2.94	6.82	3.01	6.63	3.07	6.44	3.13	6.24	3.19
	-5	-7	8.25	2.96	8.04	3.02	8.05	3.04	7.60	3.15	7.39	3.21	7.17	3.27	6.96	3.33
	0	-2	9.10	3.17	8.86	3.24	8.63	3.26	8.39	3.37	8.15	3.43	7.91	3.50	7.67	3.57
	5	3	9.78	3.34	9.53	3.41	9.73	3.48	9.01	3.55	8.76	3.61	8.50	3.69	8.25	3.76
	7	6	10.66	2.88	10.38	2.94	10.10	3.00	9.82	3.06	9.54	3.11	9.26	3.18	8.98	3.24
	10	8	10.78	2.77	10.50	2.83	10.22	2.93	9.94	2.94	9.66	3.00	9.37	3.06	9.09	3.12
	15	10	10.86	2.39	10.58	2.44	10.29	2.58	10.01	2.54	9.72	2.59	9.44	2.64	9.15	2.69
	20	15	10.93	2.15	10.65	2.19	10.36	2.28	10.07	2.28	9.79	2.32	9.50	2.37	9.22	2.41
24	18	11.00	1.99	10.71	2.03	10.42	2.07	10.13	2.11	9.84	2.15	9.56	2.19	9.27	2.24	

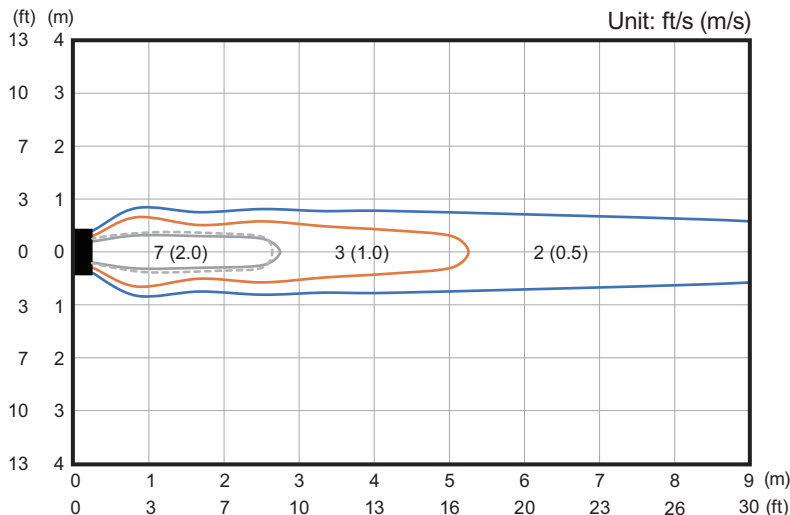
5. Fan performance

5-1. Air velocity distributions

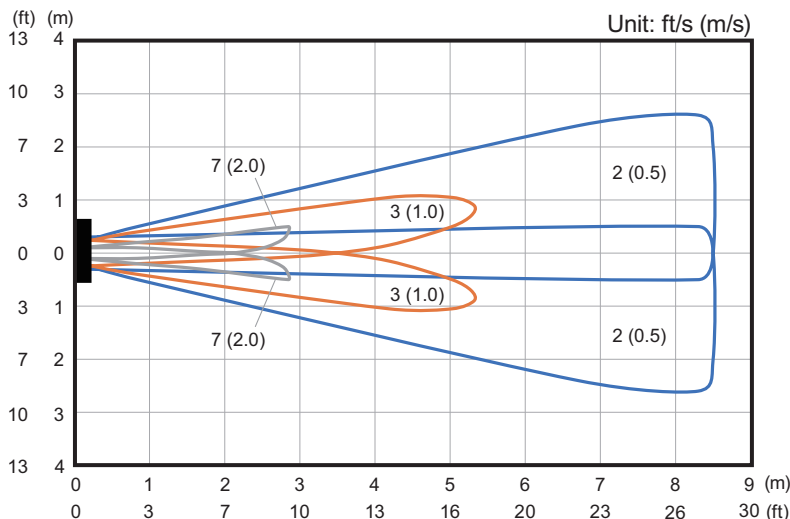
Model: ASYG18KMTE

Measuring conditions	Fan speed	Operation mode
	HIGH	FAN

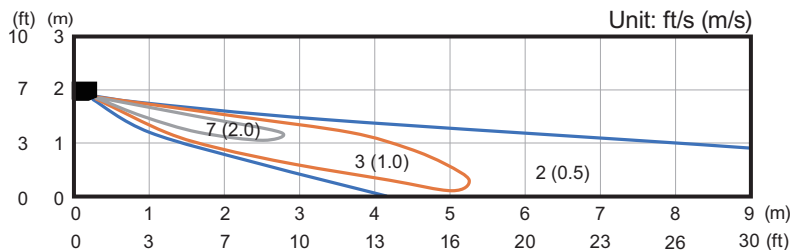
Top view
Horizontal louver: Up
Vertical louver: Center



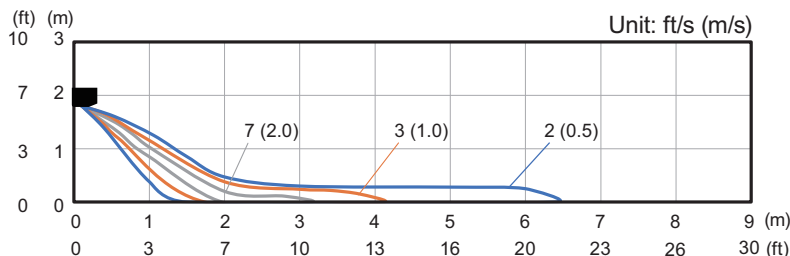
Top view
Horizontal louver: Up
Vertical louver: Left & Right



Side view
Horizontal louver: Up
Vertical louver: Center

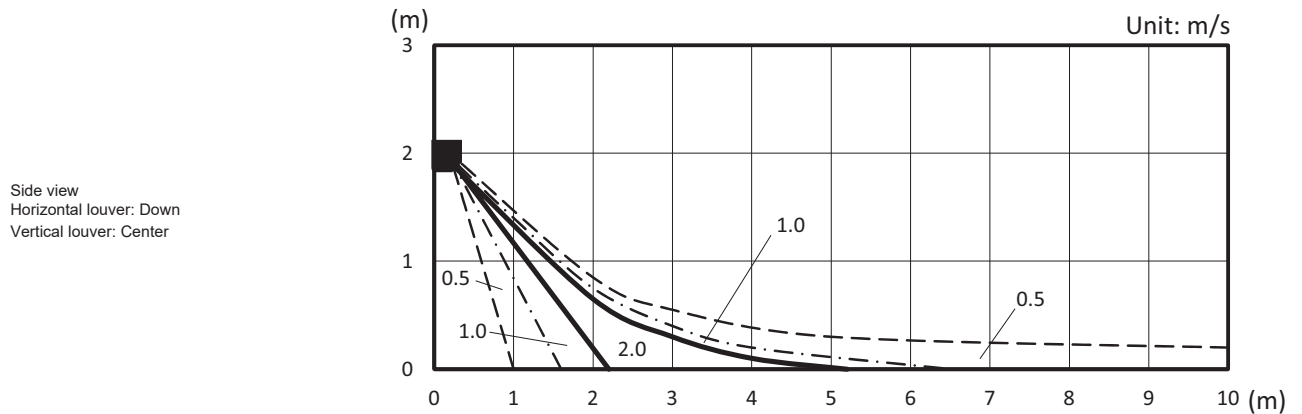
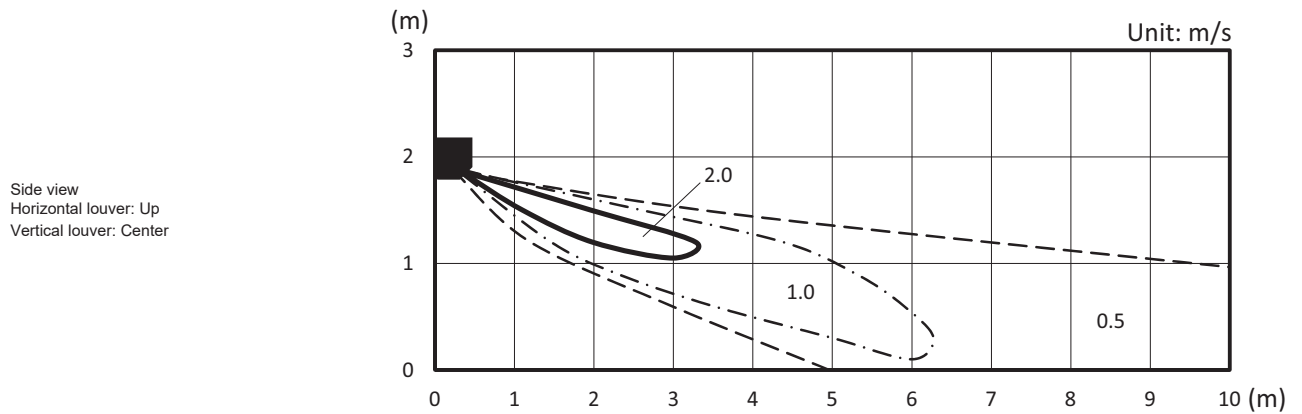
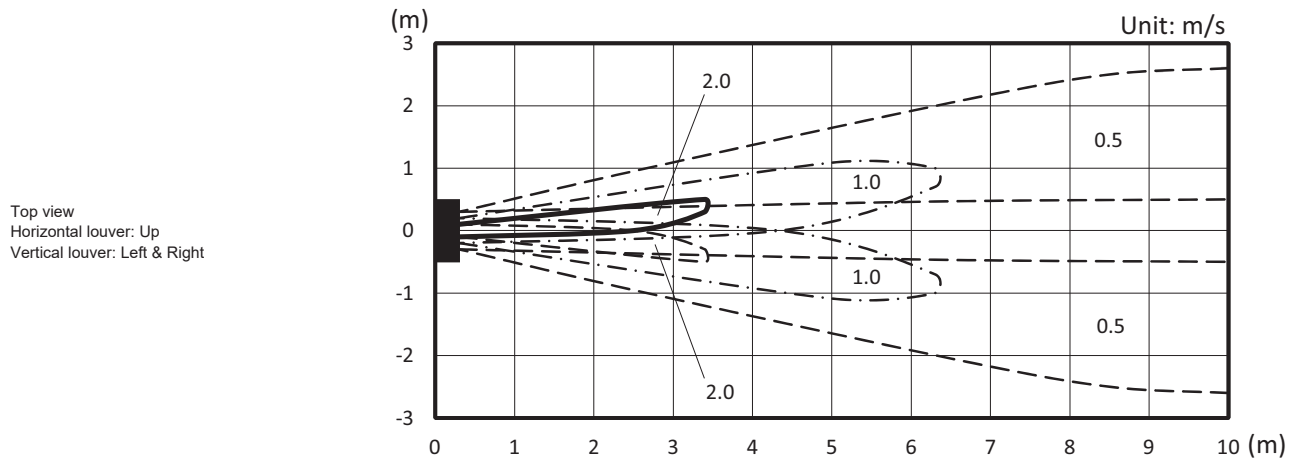
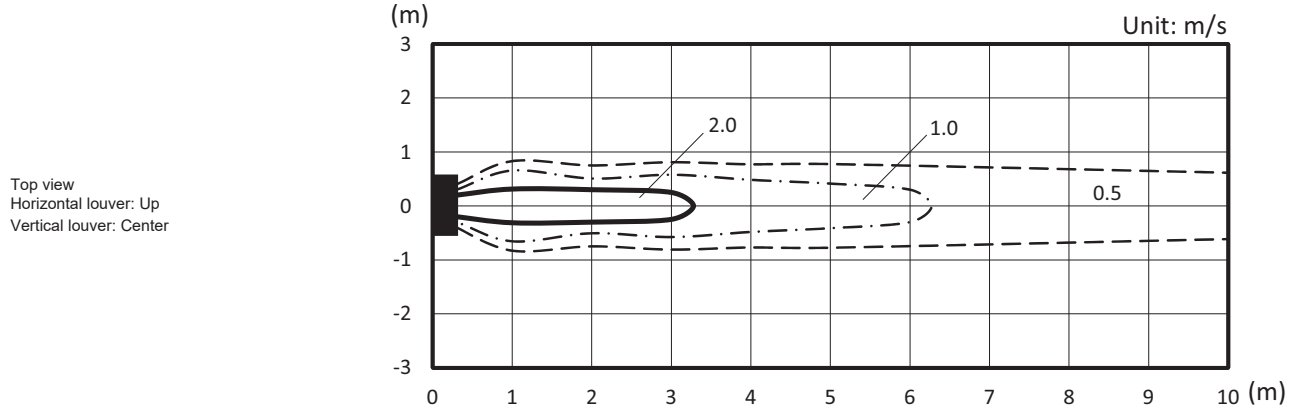


Side view
Horizontal louver: Down
Vertical louver: Center



Model: ASYG24KMTE

Measuring conditions	Fan speed	Operation mode
	HIGH	FAN



5-2. Airflow

■ Model: ASYG18KMTE

● Cooling

Fan speed	Airflow	
HIGH	m ³ /h	980
	l/s	272
	CFM	577
MED	m ³ /h	810
	l/s	225
	CFM	477
LOW	m ³ /h	640
	l/s	178
	CFM	377
QUIET	m ³ /h	510
	l/s	142
	CFM	300

● Heating

Fan speed	Airflow	
HIGH	m ³ /h	1,020
	l/s	283
	CFM	600
MED	m ³ /h	850
	l/s	236
	CFM	500
LOW	m ³ /h	640
	l/s	178
	CFM	377
QUIET	m ³ /h	510
	l/s	142
	CFM	300

■ Model: ASYG24KMTE

● Cooling

Fan speed	Airflow	
HIGH	m ³ /h	1,170
	l/s	325
	CFM	689
MED	m ³ /h	850
	l/s	236
	CFM	500
LOW	m ³ /h	640
	l/s	178
	CFM	377
QUIET	m ³ /h	510
	l/s	142
	CFM	300

● Heating

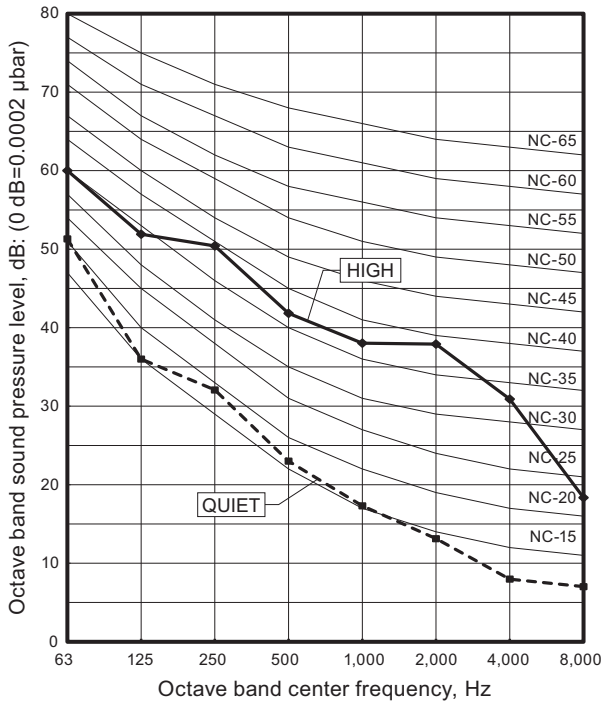
Fan speed	Airflow	
HIGH	m ³ /h	1,170
	l/s	325
	CFM	689
MED	m ³ /h	850
	l/s	236
	CFM	500
LOW	m ³ /h	640
	l/s	178
	CFM	377
QUIET	m ³ /h	510
	l/s	142
	CFM	300

6. Operation noise (sound pressure)

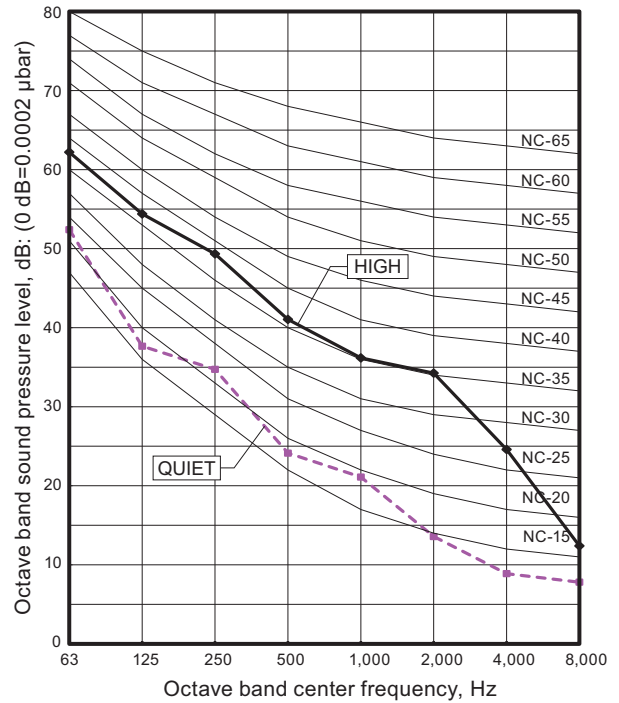
6-1. Noise level curve

Model: ASYG18KMTE

● Cooling

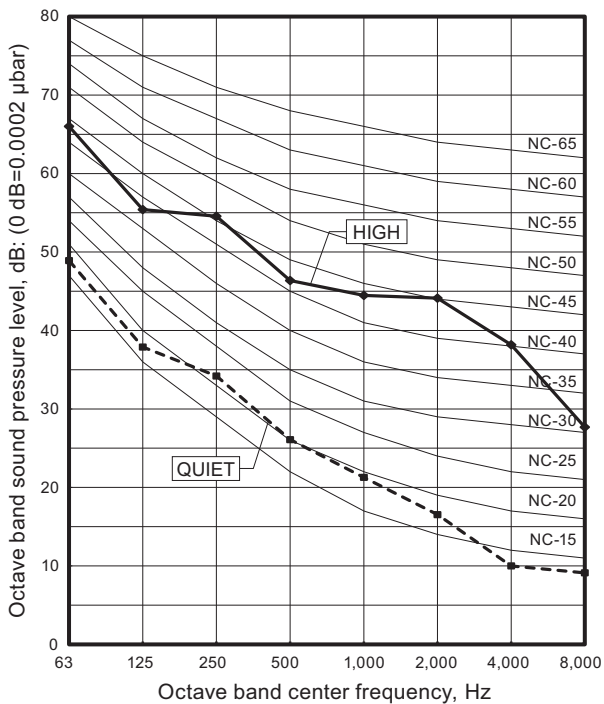


● Heating

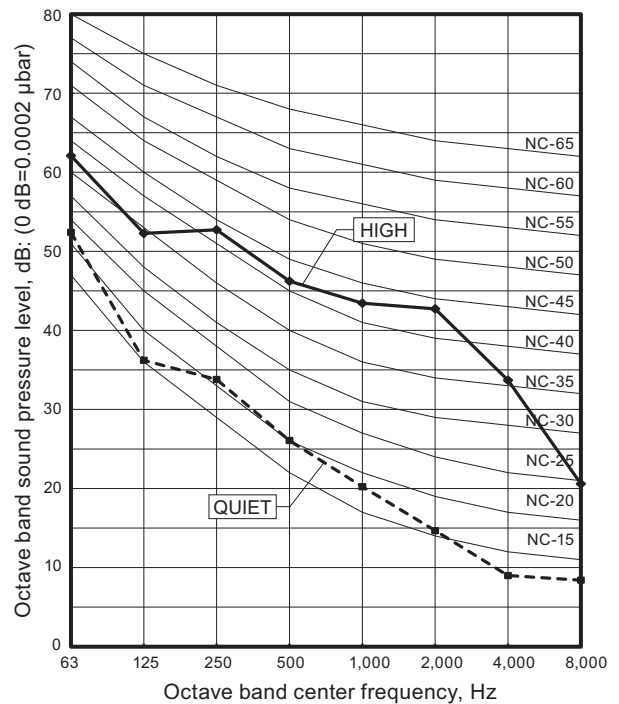


Model: ASYG24KMTE

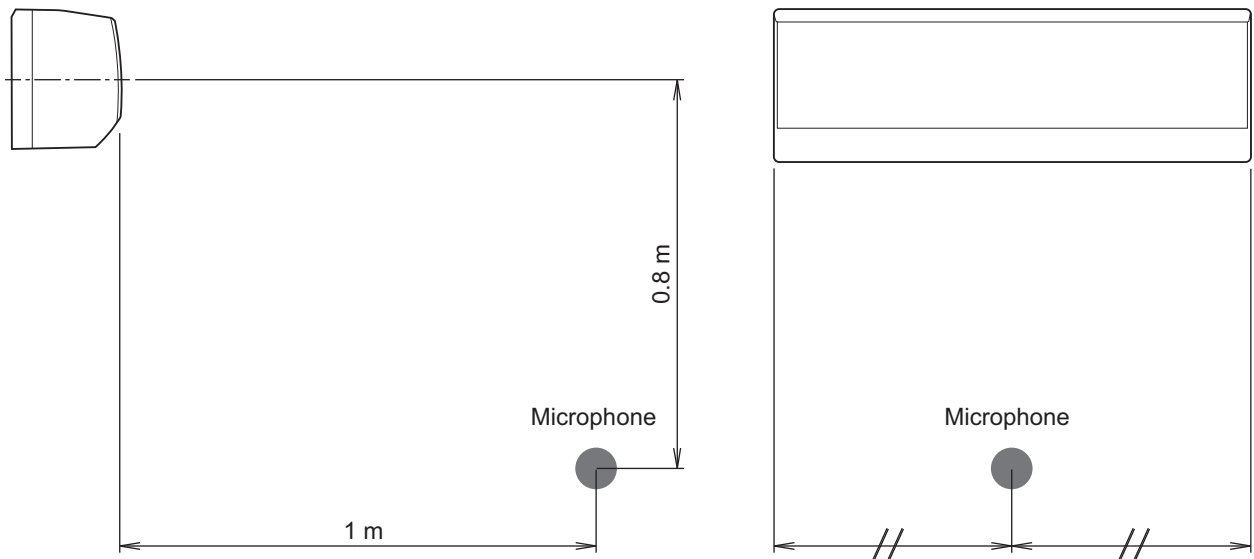
● Cooling



● Heating



6-2. Sound level check point



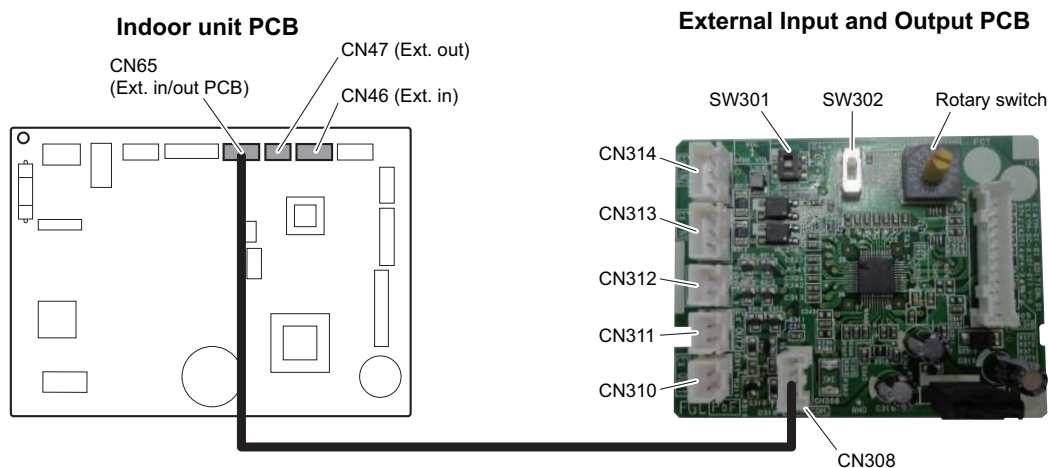
NOTE: Detailed shape of the actual indoor unit might be slightly different from the one illustrated above.

7. Safety devices

Type of protection	Protection form		Model	
			ASYG18KMTE	ASYG24KMTE
Circuit protection	Current fuse (PCB*)		250 V, 3.15 A	
Fan motor protection	Thermal protector program	Activate	125 ±24°C Fan motor stop	
		Reset	100 ±25°C Fan motor restart	

*PCB: Printed Circuit Board

8. External input and output



Connection point		Input/Output	Function	Input select	Input signal
Indoor unit	CN46	Input	Operation/Stop Forced stop	Dry contact	Edge
	CN47	Output	Operation status	—	—
			Error status		
		Indoor unit fan operation status			
External input and output PCB (UTY-XCSXZ2)	CN313 CN314	Input	Operation/Stop	Dry contact/Apply voltage	Edge/Pulse
			Forced stop		
	CN313		Forced thermostat off		Edge
	CN310 CN311 CN312	Output	Operation status	—	—
	Error status				
		Indoor unit fan operation status			

NOTE: For details of the switching function, refer to "[Setting of external input and output](#)" on page 22.

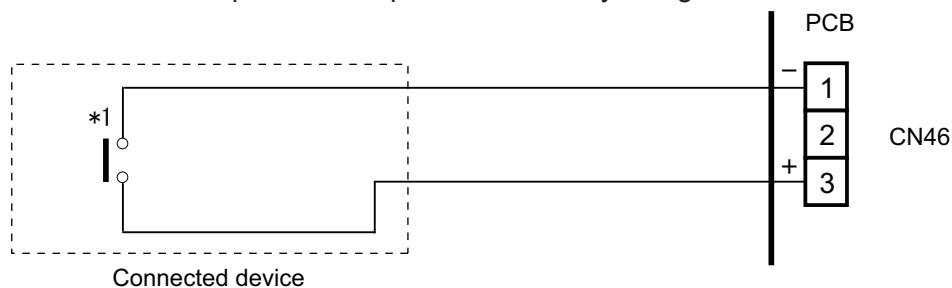
8-1. External input

With using external input function, some functions on this product can be controlled from an external device.

- "Operation/Stop" mode or "Forced stop" mode can be selected with function setting of indoor unit.
- A twisted pair cable should be used. Maximum length of cable is 150 m.
- Use an external input and output cable with appropriate external dimension, depending on the number of cables to be installed.
- The wire connection should be separate from the power cable line.

■ Indoor unit

Indoor unit functions such as Operation/Stop can be done by using indoor unit connectors.



*1: The switch can be used on the following condition: DC 12 V to 24 V, 1 mA to 15 mA.

External input and output PCB

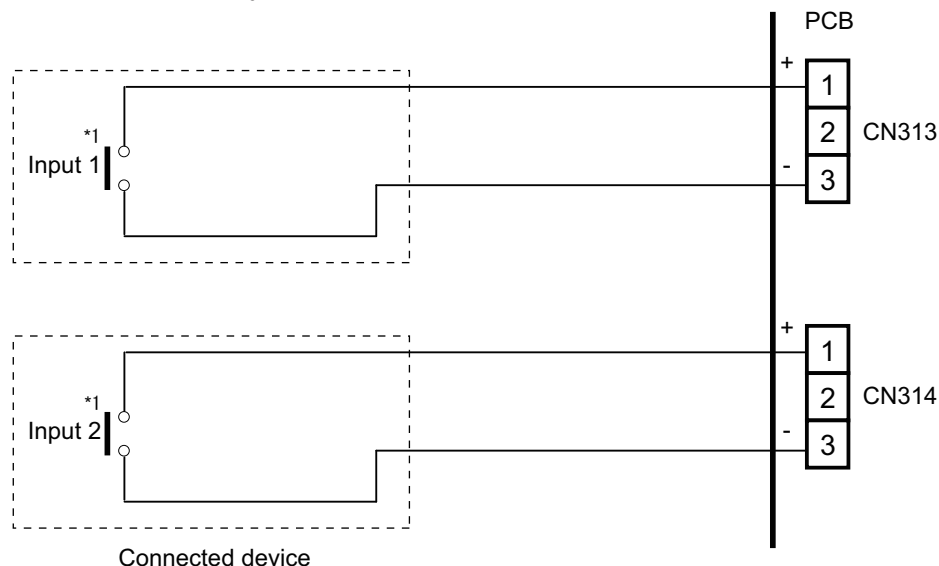
The indoor unit Operation/Stop can be set by using the input connector on the PCB.

Input select

Use either one of these types of connectors according to the application. (Both types of connectors cannot be used simultaneously.)

– Dry contact

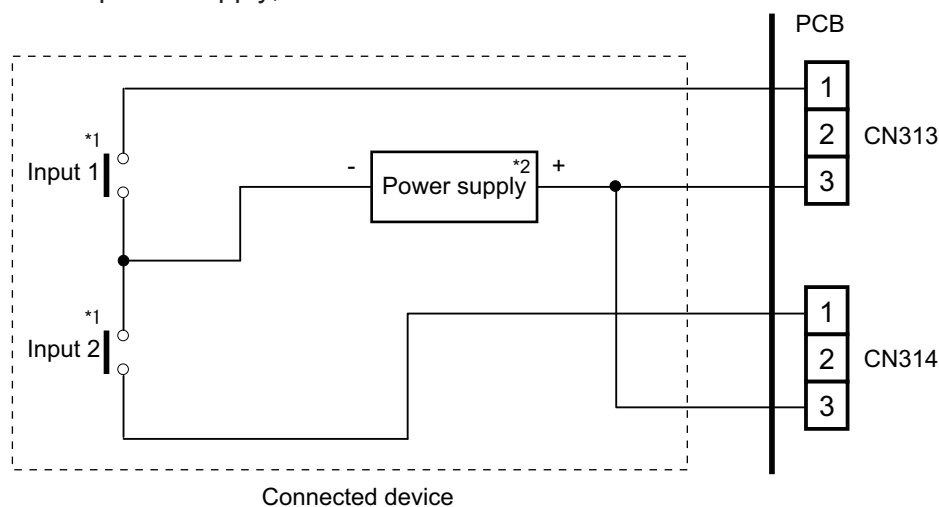
In case of internal power supply, set the slide switch of SW301 to "NON VOL" side.



*1: The switches can be used on the following condition: DC 12 V to 24 V, 1 mA to 15 mA.

– Apply voltage

In case of external power supply, set the slide switch of SW301 to "VOL" side.



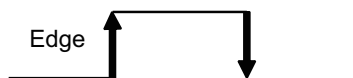
*1: The switches can be used on the following condition: DC 12 V to 24 V, 1 mA to 15 mA.

*2: Make the power supply DC 12 V to 24 V, 10 mA or more.

Input signal type

- **Indoor unit**

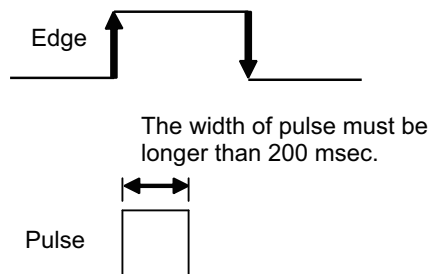
Input signal type is only "Edge".



- **External input and output PCB**

The input signal type can be selected.

Signal type (edge or pulse) can be switched by the DIP switch 2 (SW302) on the External input and output PCB.



NOTE: The input signal supports the following switch type:

- Edge: Alternate type switch
- Pulse: Momentary type switch

8-2. External output

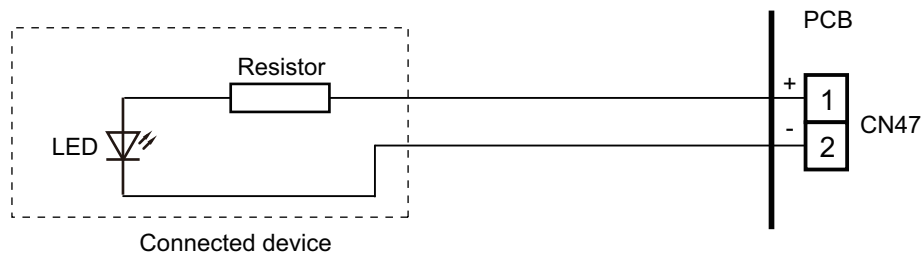
Use an external output cable with appropriate external dimension, depending on the number of cables to be installed.

Indoor unit

- A twisted pair cable should be used. Maximum length of cable is 25 m.
- Output voltage: High DC 12 V \pm 2 V, Low 0 V.
- Permissible current: 50 mA
- For details, refer to ["Setting of external input and output"](#) on page 22.

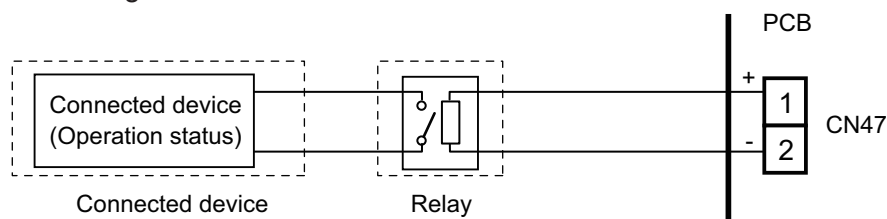
- **When indicator, etc. are connected directly**

Example: Function setting number 60 is set to "00"



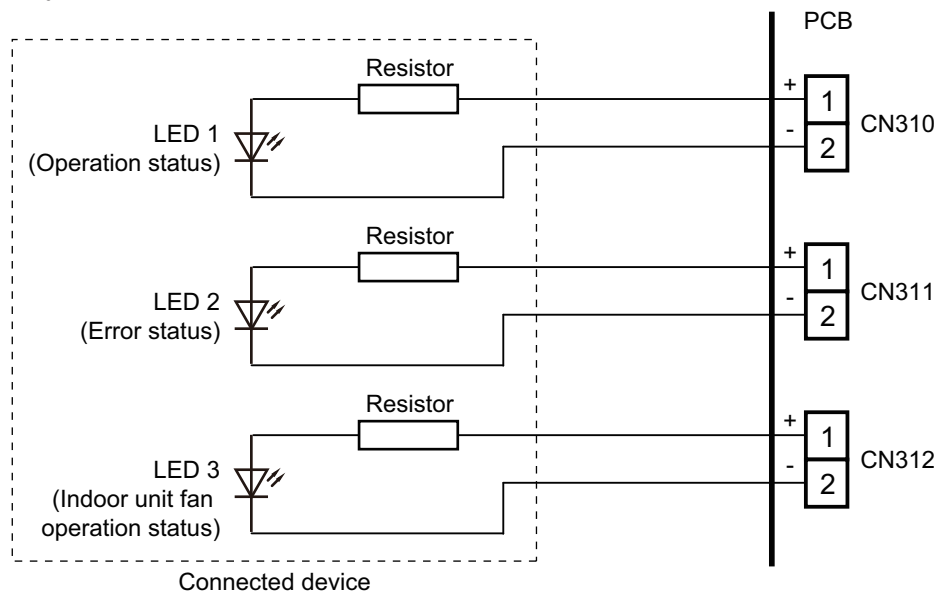
- **When connecting with a device equipped with a power supply**

Example: Function setting number 60 is set to "00"

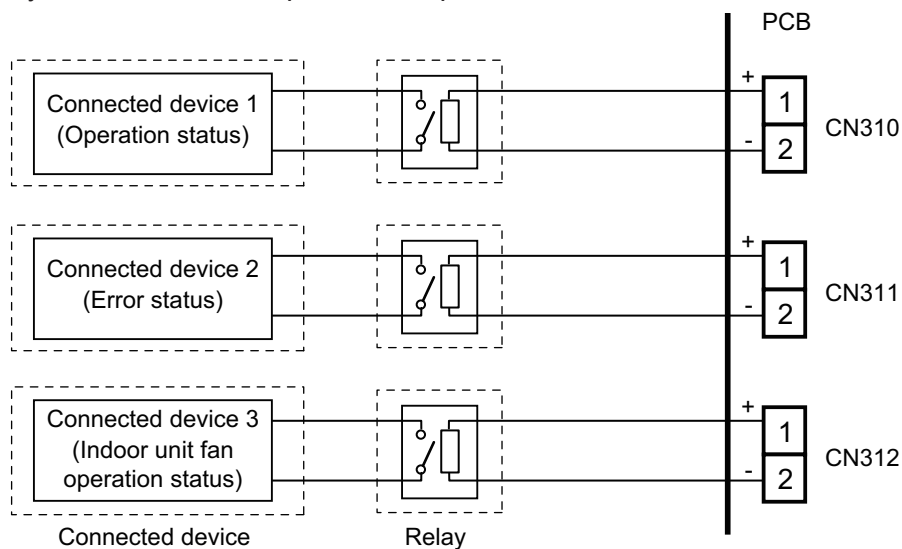


External input and output PCB

- A twisted pair cable should be used. Maximum length of cable is 25 m.
 - Output voltage: High DC 12 V±2 V, Low 0 V.
 - Permissible current: 50 mA
 - For details, refer to "[Setting of external input and output](#)" on page 22.
- **When indicator or other components are connected directly:**
Example: Rotary SW on External Input and Output PCB is set to "1".



- **When connecting with a device equipped with a power supply:**
Example: Rotary SW on External Input and Output PCB is set to "1".



8-3. Setting of external input and output

- Indoor unit

Input		
Connection point	Function setting number 46	Function
CN46	00	Operation/Stop mode 1 (R.C. enabled)
	01	(Setting prohibited)
	02	Forced stop mode
	03	Operation/Stop mode 2 (R.C. disabled)

Output		
Connection point	Function setting number 60	Function
CN47	00	Operation status
	01 to 08	(Setting prohibited)
	09	Error status
	10	Indoor unit fan operation status
	11	(Setting prohibited)

- External input and output PCB

Switch setting		Input		Output		
Rotary switch	SW302	CN313	CN314	CN310	CN311	CN312
1	Edge	Operation/Stop	Not available	Operation status	Error status	Indoor unit fan status
	Pulse	Operation	Stop			
2	Edge*	Forced thermostat off	Not available	Error status	Indoor unit fan operation status	Not available
3 to 9, A		(Setting prohibited)				
B		Forced thermostat off	Not available	Operation status	Indoor unit fan operation status	Not available
C		Forced thermostat off	Not available	Operation status	Error status	Not available
D		(Setting prohibited)				

NOTES:

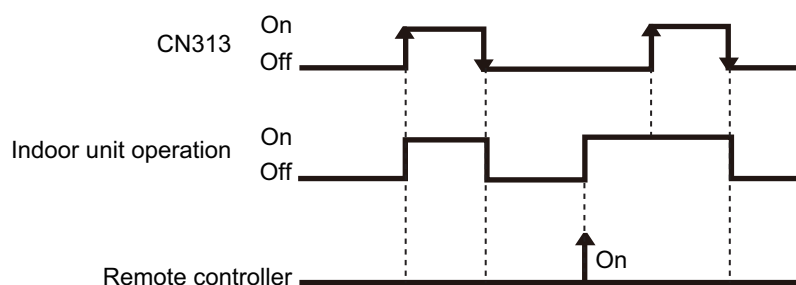
- When the rotary switch is selected to "1", the operation of the connector input of the indoor unit and the External input and output PCB input are the same. The operation content depends on the setting of function setting number 46.
- *: The external input other than "Operation/Stop" is available only when the SW302 is set to "Edge".

8-4. Details of control input function

■ Operation/Stop mode 1

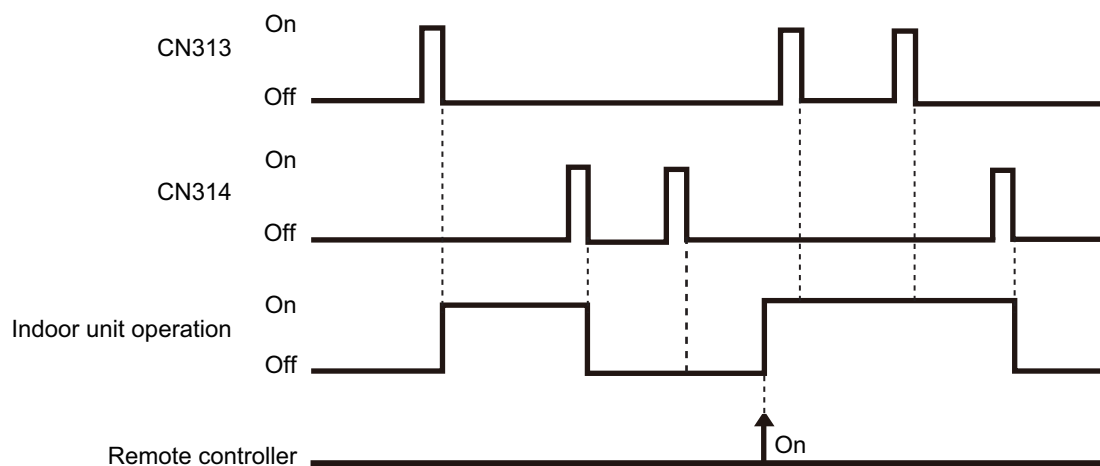
- In the case of "Edge" input

Function setting	External input and output PCB		External input	Input signal	Command	
	Rotary switch	SW302				
46-00	—		Input of indoor unit	CN46	Off → On	Operation
	—		Input of indoor unit	CN46	On → Off	Stop
	1	Edge	External input and output PCB	CN313	Off → On	Operation
					On → Off	Stop



- In the case of "Pulse" input

Function setting	External input and output PCB		External input	Input signal	Command
	Rotary switch	SW302			
46-00	1	Pulse	External input and output PCB	CN313	Operation
				CN314	Stop



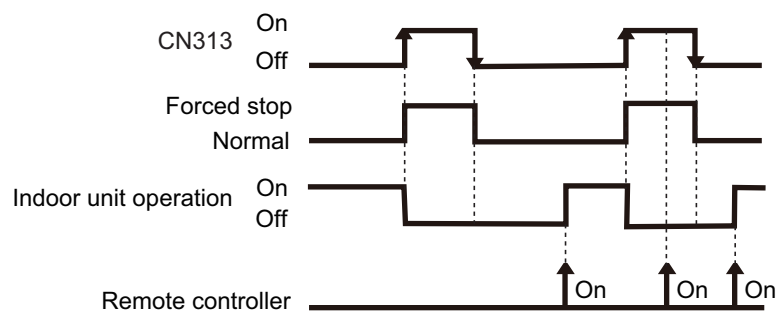
NOTES:

- The last command has priority.
- The indoor units within the same remote controller group operates in the same mode.

■ Forced stop

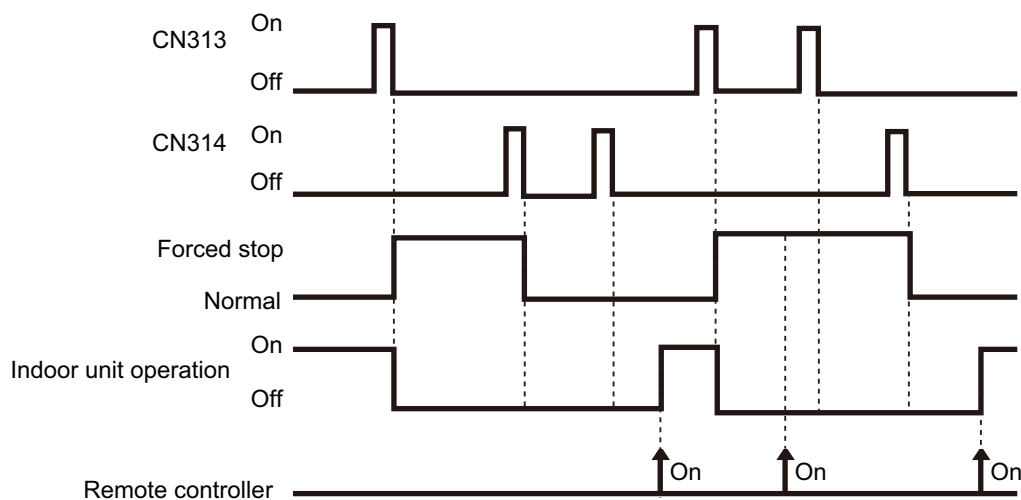
- In the case of "Edge" input

Function setting	External input and output PCB		External input		Input signal	Command
	Rotary switch	SW302				
46-02	—		Input of indoor unit	CN46	Off → On	Forced stop (R.C. disabled)
					On → Off	Normal (R.C. enabled)
	1	Edge	External input and output PCB	CN313	Off → On	Forced stop (R.C. disabled)
					On → Off	Normal (R.C. enabled)



- In the case of "Pulse" input

Function setting	External input and output PCB		External input		Input signal	Command
	Rotary switch	SW302				
46-02	1	Pulse	External input and output PCB	CN313	Pulse	Forced stop (R.C. disabled)
				CN314		Normal (R.C. enabled)



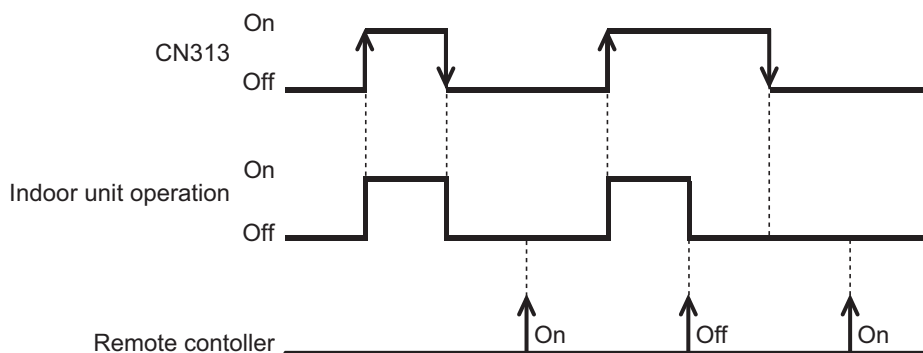
NOTES:

- When the forced stop is triggered, indoor unit stops and Operation/Stop operation by the remote controller is restricted.
- When forced stop function is used with forming a remote controller group, connect the same equipment to each indoor unit within the group.

■ Operation/Stop mode 2

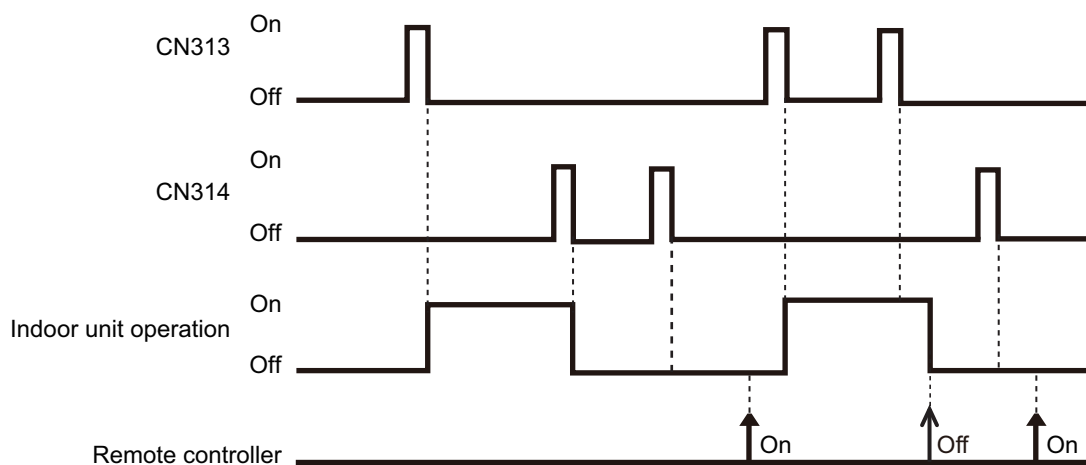
- In the case of “Edge” input

Function setting	External input and output PCB		External input		Input signal	Command
	Rotary switch	SW302				
46-03	—		Input of indoor unit	CN46	Off → On	Operation (R.C. enabled)
	—				On → Off	Stop (R.C. disabled)
	1	Edge	External input and output PCB	CN313	Off → On	Operation (R.C. enabled)
					On → Off	Stop (R.C. disabled)



- In the case of “Pulse” input

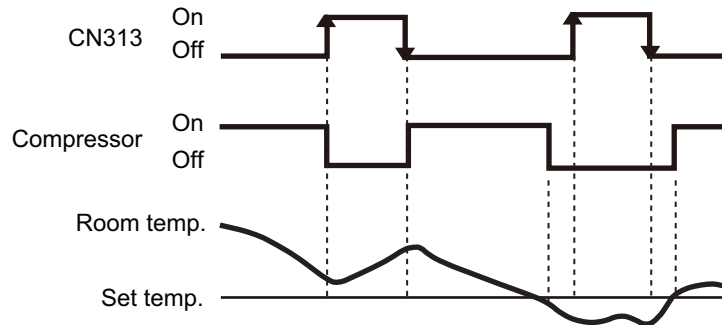
Function setting	External input and output PCB		External input		Input signal	Command
	Rotary switch	SW302				
46-03	1	Pulse	External input and output PCB	CN313	Pulse	Operation (R.C. enabled)
				CN314		Stop (R.C. disabled)



NOTE: When “Operation/Stop” mode 2 function is used with forming a remote controller group, connect the same equipment to each indoor unit within the group.

■ Forced thermostat off

External input and output PCB	External input		Input signal	Command
Rotary switch				
2, B, C	External input and output PCB	CN313	Off → On	Thermostat off
			On → Off	Normal operation

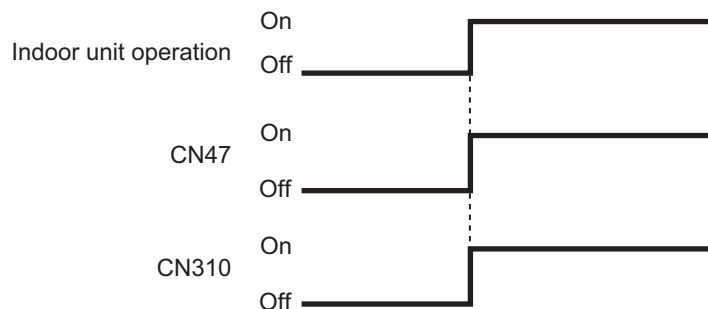


8-5. Details of control output function

■ Operation status

Function setting	External input and output PCB	External output		Output signal	Status
	Rotary switch				
60-00	1, 2	Output of indoor unit	CN47	Off → On	Operation
				On → Off	Stop
—	1, B, C	External input and output PCB	CN310	Off → On	Operation
				On → Off	Stop

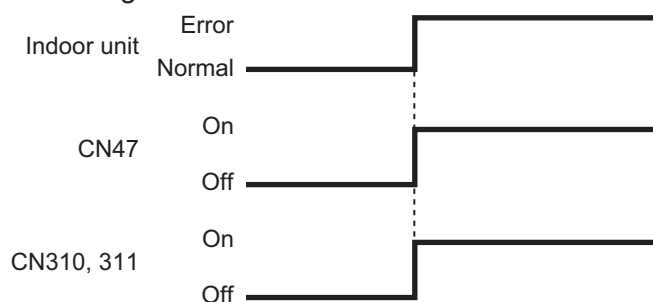
The output is low when the unit is stopped.



■ Error status

Function setting	External input and output PCB	External output		Output signal	Status
	Rotary switch				
60-09	—	Output of indoor unit	CN47	Off → On	Error
				On → Off	Normal
—	2	External input and output PCB	CN310	Off → On	Error
				On → Off	Normal
—	1, C	External input and output PCB	CN311	Off → On	Error
				On → Off	Normal

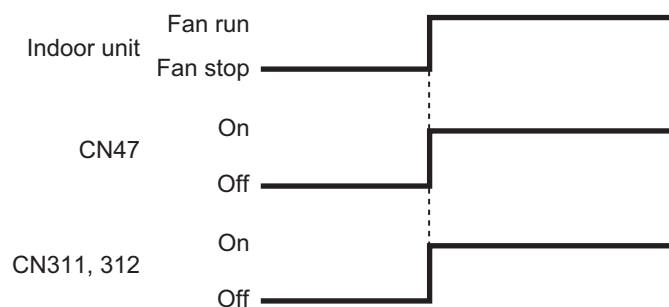
The output is on when an error is generated for the indoor unit.



■ Indoor unit fan operation status

Function setting	External input and output PCB	External output		Output signal	Status
	Rotary switch				
60-10	C	Output of indoor unit	CN47	Off → On	Fan run
				On → Off	Fan stop
—	2, B	External input and output PCB	CN311	Off → On	Fan run
				On → Off	Fan stop
—	1	External input and output PCB	CN312	Off → On	Fan run
				On → Off	Fan stop

Output signal	Condition
On	The indoor unit fan is operating.
Off	The fan is stopped or during cold air prevention. During thermostat off when in dry mode operation.



9. Group connection

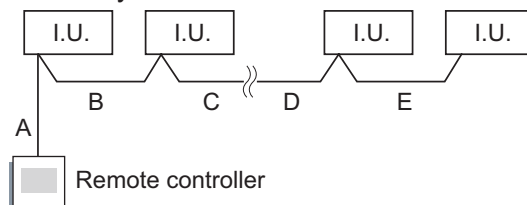
NOTE: Group control cannot be used together with WLAN Adapter.

Installation procedure for group control system:

A number of indoor units can be operated at the same time using a single remote controller.

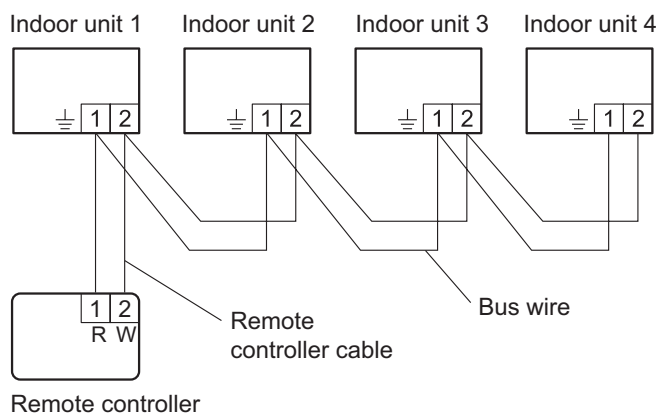
NOTE: When different type of indoor units (such as wall mounted type and cassette type, cassette type and duct type, or other combinations) are connected using group control system, some functions may no longer be available.

1. Connect up to 16 indoor units in a system.



A, B, C, D, E: Remote controller cable	
Wiring length limitation	$A + B + C + D + E \leq 500 \text{ m}$

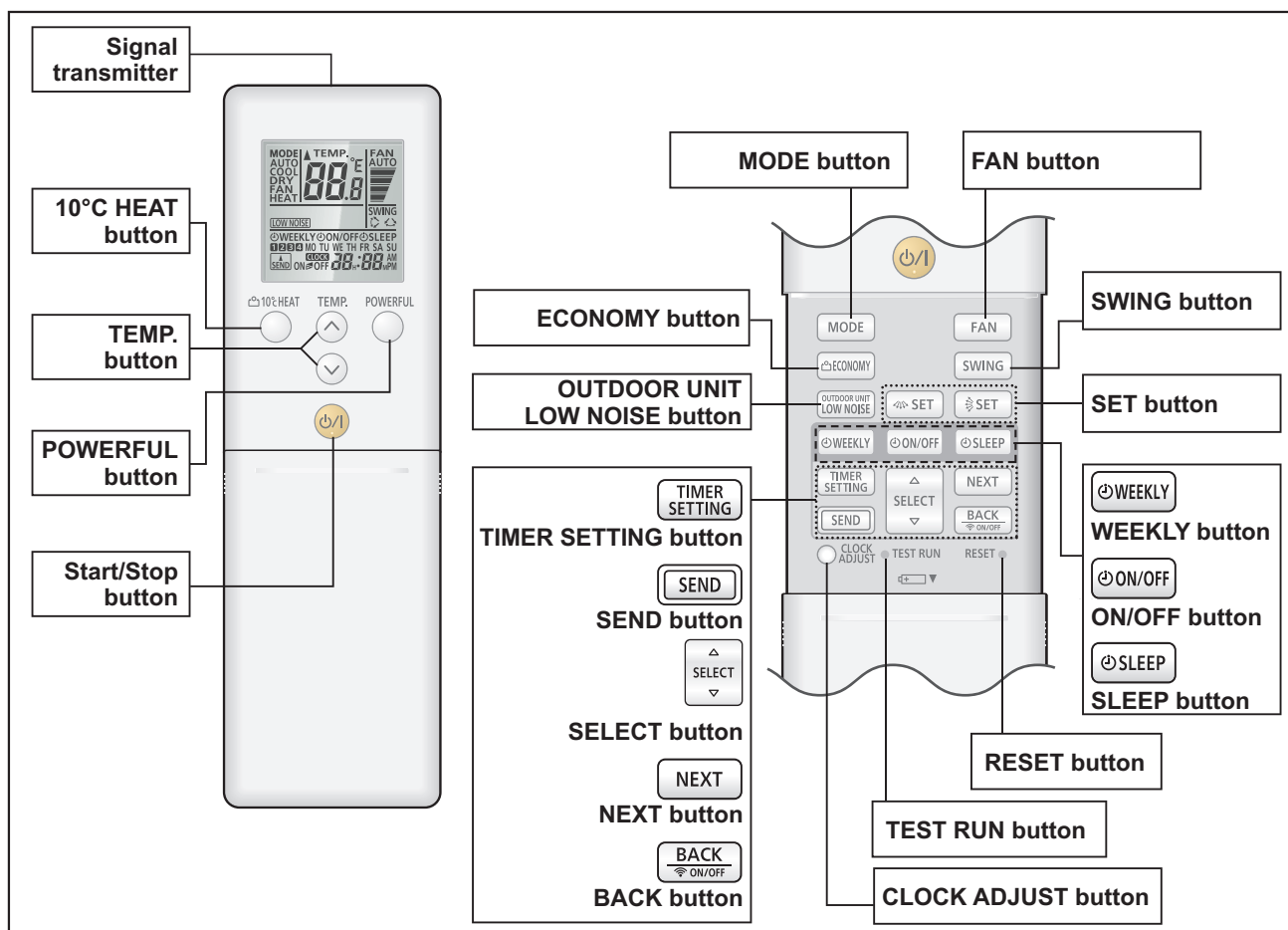
Example of wiring method



10. Remote controller

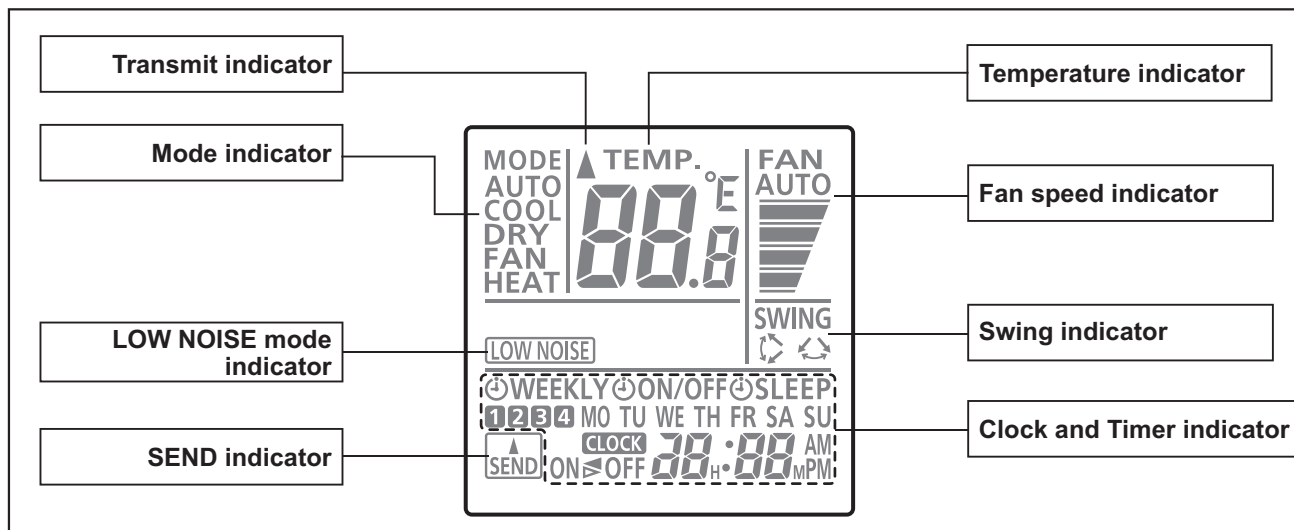
10-1. Wireless remote controller

Overview



NOTE: Functions may differ by type of the indoor unit. For details, refer to the operation manual.

Display panel

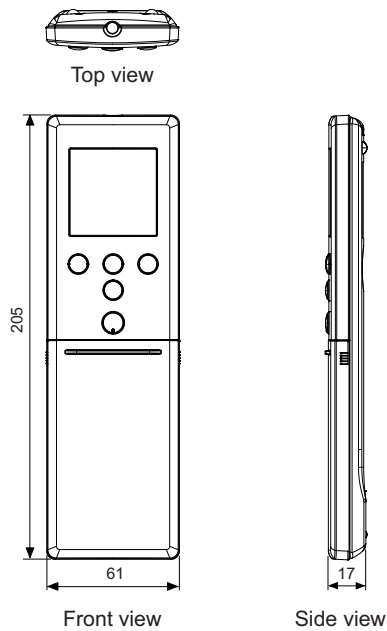


To facilitate explanation, the accompanying illustration has been drawn to show all possible indicators; in actual operation, however, the display will only show those indicators appropriate to the current operation.

Specifications

● Controller

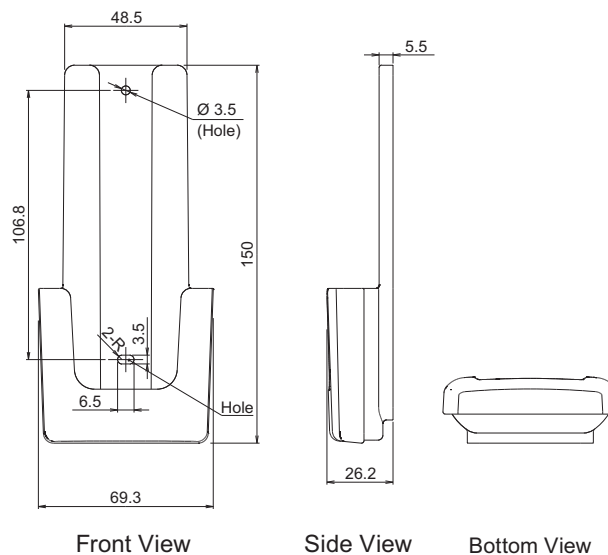
Unit: mm



Size (H × W × D)	mm	205 × 61 × 17
Weight	g	125 (without batteries)

● Holder

Unit: mm



Size (H × W × D)	mm	150 × 69.3 × 26.2
Weight	g	27

11. Function settings

To adjust the functions of this product according to the installation environment, various types of function settings are available.

NOTE: Incorrect settings can cause a product malfunction.

11-1. Function settings by using remote controller

Some function settings can be changed on the remote controller. After confirming the setting procedure and the content of each function setting, select appropriate functions for your installation environment.

■ Setting procedure by using wireless remote controller

The function number and the associated setting value are displayed on the LCD of the remote controller. Follow the instructions written in the local setup procedure supplied with the remote controller, and select appropriate setting according to the installation environment.

Before connecting the power supply of the indoor unit, reconfirm following items:

- Cover for the electrical enclosure on the outdoor unit is in place.
- There is no wiring mistake.
- Piping air tightness test and vacuuming have been performed firmly.
- All the necessary wiring work for outdoor unit has been finished.

After reconfirming the items listed above, connect the power supply of the indoor unit.

NOTES:

- Settings will not be changed if invalid numbers or setting values are selected.
- When optional wired remote controller is used, refer to the installation manual enclosed with the remote controller.

Entering function setting mode:

While pressing the POWERFUL button and TEMP. (^) button simultaneously, press the RESET button to enter the function setting mode.

Selecting the function number and setting value:

1. Press the TEMP. (^) (v) buttons to select the function number. To switch between the left and right digits, press the 10 °C HEAT button.
2. Press the POWERFUL button to proceed to value setting. To return the function number selection, press the POWERFUL button again.
3. Press the TEMP. (^) (v) buttons to select the setting value. To switch between the left and right digits, press the 10 °C HEAT button.
4. Press the MODE button once. Confirm that you hear the beep sound.
5. Press the START/STOP button to fix the function setting. Confirm that you hear the beep sound.
6. Press the RESET button to end the function setting mode.
7. After completing the function setting, be sure to disconnect the power supply and then reconnect it.

Function number
Setting value



⚠ CAUTION

After disconnecting the power supply, wait 30 seconds or more before reconnecting it. The function setting will not become active unless the power supply is disconnected and then reconnected.

NOTES:

- The air conditioner custom code is set to \overline{H} prior to shipment.
- If you do not know the air conditioner custom code setting, try each of the custom codes ($\overline{H} \rightarrow \overline{b}$
 $\rightarrow \overline{c} \rightarrow \overline{d}$) until you find the code that operates the air conditioner.

■ Contents of function setting

Each function setting listed in this section is adjustable in accordance with the installation environment.

NOTE: Setting will not be changed if invalid numbers or setting values are selected.

● Function setting list

	Function no.	Functions
1)	11	Filter sign
2)	30/31	Room temperature control for indoor unit sensor
3)	35/36	Room temperature control for wired remote controller sensor
4)	40	Auto restart
5)	42	Room temperature sensor switching
6)	44	Remote controller custom code
7)	46	External input control
8)	48	Room temperature sensor switching (Aux.)
9)	49	Indoor unit fan control for energy saving for cooling
10)	60	Switching functions for external output terminal

1) Filter sign

Select appropriate intervals for displaying the filter sign on the indoor unit according to the estimated amount of dust in the air of the room.

If the indication is not required, select "No indication" (03).

Function number	Setting value	Setting description	Factory setting
11	00	Standard (400 hours)	
	01	Long interval (1,000 hours)	
	02	Short interval (200 hours)	
	03	No indication	◆

2) Room temperature control for indoor unit sensor

Depending on the installed environment, correction of the room temperature sensor may be required. Select the appropriate control setting according to the installed environment.

The temperature of the room temperature sensor is corrected as follows:

Corrected temp. = Temp. of the room temp. sensor - Correction temp. value

Example of correction:

When the temperature of the room temp. sensor is 26°C and the setting value is "03" (-1.0°C), corrected temp. will be 27°C (26°C - [-1.0°C]).

The temperature correction values show the difference from the Standard setting "00" (manufacturer's recommended value).

Function number		Setting value	Setting description	Factory setting	
30 (For cooling)	31 (For heating)	00	Standard setting	◆	
		01	No correction 0.0 °C		
		02	-0.5 °C	More cooling Less heating	
		03	-1.0 °C		
		04	-1.5 °C		
		05	-2.0 °C		
		06	-2.5 °C		
		07	-3.0 °C		
		08	-3.5 °C		
		09	-4.0 °C		
		10	+0.5 °C	Less cooling More heating	
		11	+1.0 °C		
		12	+1.5 °C		
		13	+2.0 °C		
		14	+2.5 °C		
		15	+3.0 °C		
		16	+3.5 °C		
17	+4.0 °C				

3) Room temperature control for wired remote controller sensor

Depending on the installed environment, correction of the wire remote temperature sensor may be required. Select the appropriate control setting according to the installed environment.

To change this setting, set Function 42 to Both "01".

Ensure that the Thermo Sensor icon is displayed on the remote controller screen.

Function number		Setting value	Setting description	Factory setting	
35 (For cooling)	36 (For heating)	00	Standard setting	◆	
		01	No correction 0.0°C		
		02	-0.5 °C	More cooling Less heating	
		03	-1.0 °C		
		04	-1.5 °C		
		05	-2.0 °C		
		06	-2.5 °C		
		07	-3.0 °C		
		08	-3.5 °C		
		09	-4.0 °C		
		10	+0.5 °C	Less cooling More heating	
		11	+1.0 °C		
		12	+1.5 °C		
		13	+2.0 °C		
		14	+2.5 °C		
		15	+3.0 °C		
		16	+3.5 °C		
17	+4.0 °C				

4) Auto restart

Enables or disables automatic restart after a power interruption.

Function number	Setting value	Setting description	Factory setting
40	00	Enable	◆
	01	Disable	

NOTE: Auto restart is an emergency function such as for power outage etc. Do not attempt to use this function in normal operation. Be sure to operate the unit by remote controller or external device.

5) Room temperature sensor switching

(Only for wired remote controller)

When using the wired remote controller temperature sensor, change the setting to "Both" (01).

Function number	Setting value	Setting description	Factory setting
42	00	Indoor unit	◆
	01	Both	

00: Sensor on the indoor unit is active.

01: Sensors on both indoor unit and wired remote controller are active.

NOTE: Remote controller sensor must be turned on by using the remote controller.

6) Remote controller custom code

(Only for wireless remote controller)

The indoor unit custom code can be changed. Select the appropriate custom code.

Function number	Setting value	Setting description	Factory setting
44	00	A	◆
	01	B	
	02	C	
	03	D	

7) External input control

"Operation/Stop" mode or "Forced stop" mode can be selected.

Function number	Setting value	Setting description	Factory setting
46	00	Operation/Stop mode 1 (R.C. enabled)	◆
	01	(Setting prohibited)	
	02	Forced stop mode	
	03	Operation/Stop mode 2 (R.C. disabled)	

8) Room temperature sensor switching (Aux.)

To use the temperature sensor on the wired remote controller only, change the setting to "Wired remote controller" (01).

This function will only work if the function setting 42 is set at "Both" (01).

When the setting value is set to "Both" (00), more suitable control of the room temperature is possible by setting function setting 30 and 31 too.

Function number	Setting value	Setting description	Factory setting
48	00	Both	◆
	01	Wired remote controller	

9) Indoor unit fan control for energy saving for cooling

Enables or disables the power-saving function by controlling the indoor unit fan rotation when the outdoor unit is stopped during cooling operation.

Function number	Setting value	Setting description	Factory setting
49	00	Disable	
	01	Enable	
	02	Remote controller	◆

00: When the outdoor unit is stopped, the indoor unit fan operates continuously following the setting on the remote controller.

01: When the outdoor unit is stopped, the indoor unit fan operates intermittently at a very low speed.

02: Enable or disable this function by remote controller setting.

NOTE: Set to "00" or "01" when connecting a remote controller that cannot set the Fan control for energy saving function or connecting a network converter. To confirm if the remote controller has this setting, refer to the operating manual of each remote controller.

10) Switching functions for external output terminal

Functions of the external output terminal can be switched. For details, refer to “External input and output”.

Function number	Setting value	Setting description	Factory setting
60	00	Operation status	◆
	01—08	(Setting prohibited)	
	09	Error status	
	10	Indoor unit fan operation status	
	11	(Setting prohibited)	

11-2. Custom code setting for wireless remote controller

To interconnect the air conditioner and the wireless remote controller, assignment of the custom code for the wireless remote controller is required.

NOTE: Air conditioner cannot receive a signal if the air conditioner has not been set for the custom code.

When 2 or more air conditioners are installed in a room, and the remote controller is operating an air conditioner other than the one you wish to set, change the custom code of the remote controller to operate only the air conditioner you wish to set. (4 selections possible.)

Confirm the setting of the remote controller custom code and the function setting. If these do not match, the remote controller cannot be used to operate for the air conditioner.

1. Press the START/STOP button until only the clock is displayed on the remote controller display.
2. Press the MODE button for at least 5 seconds to display the current custom code. (Initially set to A .)
3. Press the TEMP. (\wedge) (\vee) buttons to change the custom code between $\text{A} \rightarrow \text{B} \rightarrow \text{C} \rightarrow \text{D}$. Match the code on the display to the air conditioner custom code. (Initially set to A .)
4. Press the MODE button again to return to the clock display. The custom code will be changed.


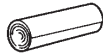
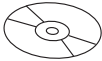







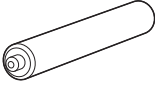
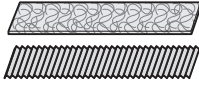


NOTES:

- If no button is pressed within 30 seconds after the custom code is displayed, the system returns to the original clock indicator. In this case, start again from step 1.
- The air conditioner custom code is set to A prior to shipment. To change the custom code, contact your retailer.
- If you do not know the assigned code for the air conditioner, try each of the custom code ($\text{A} \rightarrow \text{B} \rightarrow \text{C} \rightarrow \text{D}$) until you find the code which operates the air conditioner.

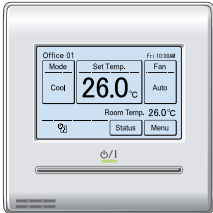
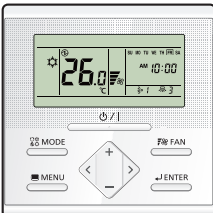



12. Accessories

12-1. Models: ASYG18KMTE and ASYG24KMTE

Part name	Exterior	Q'ty	Part name	Exterior	Q'ty
Operating manual		1	Cloth tape		1
Operating manual (CD-ROM)		1	Tapping screw (large)		5
Installation manual		1	Tapping screw (small)		2
Remote controller		1	Wall hook bracket		1
Remote controller holder		2	Filter holder		2
Battery		2	Air cleaning filters		1

13. Optional parts

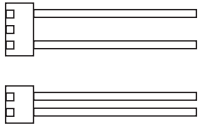


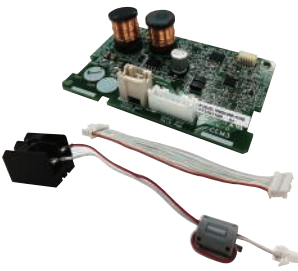






13-1. Controllers

Exterior	Part name	Model name	Summary
	Wired Remote Controller	UTY-RNRYZ*	Easy finger touch operation with LCD panel. Backlit LCD enables easy operation in a dark room. Wire type: Non-polar 2-wire Optional Communication Kit is necessary for installation.
	Wired Remote Controller	UTY-RLRY	High visibility and easy operation. Room temperature can be accurately controlled using the thermo sensor. Wire type: Non-polar 2-wire Optional Communication Kit is necessary for installation.
	Compact Wired Remote Controller	UTY-RCRYZ1	Compact body and easy operation. Room temperature can be accurately controlled using the thermo sensor. Wire type: Non-polar 2-wire Optional Communication Kit is necessary for installation.
	Simple Remote Controller	UTY-RSRY	Compact remote controller concentrates on the basic functions such as Start/Stop, fan control, temperature setting, and operation mode. Wire type: Non-polar 2-wire Optional Communication Kit is necessary for installation.
	Simple Remote Controller	UTY-RHRY	Compact remote controller concentrates on the basic functions such as Start/Stop, fan control, and temperature setting. Wire type: Non-polar 2-wire Optional Communication Kit is necessary for installation.

NOTES:

- Available functions may differ by the remote controller. For details, refer to the operation manual.
- When using the group controlling system of the Wired Remote Controller, using WLAN Adapter is prohibited.

13-2. Others

Exterior	Part name	Model name	Summary
	External Connect Kit	UTY-XWZX	Use to connect with various peripheral devices and air conditioner PCB. Connecting point: CN47 on Main PCB
	External Connect Kit	UTY-XWZXZ5	Required when external device is connected. Connecting point: CN47 on Main PCB
	External Input and Output PCB	UTY-XCSXZ2	Use to connect with external devices and air conditioner PCB. Optional External Connect Kit is necessary for installation. Connecting point: CN65 on Main PCB
	Communication Kit	UTY-TWRXZ2	Use to connect Non-polar 2-core wired remote controller.
	WLAN Adapter	UTY-TFSXF2	Remotely manage an air conditioning system using mobile devices such as smartphones and tablets. Appropriate application for each region is required to use this option. For details, contact FGL sales company. Connecting point: Main PCB via USB connector
	Modbus Converter	UTY-VMSX	For connection between indoor unit with UART interface and a Modbus open network. Connecting point: CN65 on Main PCB
	KNX Converter	UTY-VKSX	For connection between indoor unit with UART interface and a KNX open network. Connecting point: CN65 on Main PCB
	Network Converter	UTY-VTGX	This converter is required when connecting single split system to VRF network system. Use the terminal for wired remote controller.
	Network Converter (AC power supply)	UTY-VTGXV	This converter is required when connecting single split system to VRF network system. Use the terminal for wired remote controller.
	External Switch Controller	UTY-TERX	Air conditioner switching can be controlled by connecting other external sensor switches. Use the terminal for wired remote controller.

Part 2. OUTDOOR UNIT

SINGLE TYPE:

AOYG18KMTA

AOYG24KMTA

1. Specifications

OUTDOOR UNIT
AOYG18-24KMTA

OUTDOOR UNIT
AOYG18-24KMTA

Type			Inverter heat pump		
Model name			AOYG18KMTA	AOYG24KMTA	
Power supply			230 V ~ 50 Hz		
Power supply intake			Outdoor unit		
Available voltage range			198—264 V		
Starting current			A		
Fan	Airflow rate	Cooling	7.0	8.6	
		Heating	2,350	3,240	
	Type × Q'ty		2,100	2,820	
	Motor output	W	Propeller fan × 1 49		
Sound pressure level *1	Cooling	dB (A)	50	54	
	Heating		50	52	
Sound power level	Cooling	dB (A)	65	67	
	Heating		65	66	
Heat exchanger type	Dimensions (H × W × D)	mm	Main1: 588 × 881 × 18.19	Main1: 672 × 881 × 18.19	
	Fin pitch		Main2: 588 × 851 × 18.19	Main2: 672 × 851 × 18.19	
	Rows × Stages		1 × 28	1 × 32	
	Pipe type		Copper tube		
	Fin type	Type (Material)		Aluminum	
		Surface treatment		PC fin	
Compressor	Type		DC twin rotary		
	Motor output	W	900	1,060	
Refrigerant	Type (Global warming potential)		R32 (675)		
	Charge	g	1,020	1,320	
Refrigerant oil	Type		FW68S	RmM68AF	
	Amount	cm ³	350	400	
Enclosure	Material		Steel sheet		
	Color		Beige Approximate color of Munsell 10YR 7.5/1.0		
Dimensions (H × W × D)	Net	mm	632 × 799 × 290	716 × 820 × 315	
	Gross		692 × 940 × 375	776 × 961 × 450	
Weight	Net	kg	36	42	
	Gross		40	46	
Connection pipe	Size	Liquid	Ø6.35 (Ø1/4)		
		Gas	Ø12.70 (Ø1/2)		
	Method		Flare		
	Pre-charge length	m	15		
	Max. length		25	30	
	Max. height difference		20	25	
Operation range	Cooling	°C	-10 to 46		
	Heating		-15 to 24		
Drain hose	Material		PP		
	Size	mm	Ø13.0 (I.D.), Ø16.0 to Ø16.7 (O.D.)		

NOTES:

- Specifications are based on the following conditions:
 - Cooling: Indoor temperature of 27 °CDB/19 °CWB, and outdoor temperature of 35 °CDB/24 °CWB.
 - Heating: Indoor temperature of 20 °CDB/15 °CWB, and outdoor temperature of 7 °CDB/6 °CWB.
 - Pipe length: 5 m, Height difference: 0 m.
- Protective function might work when using it outside the operation range.
- *1: Sound pressure level
 - Measured values in manufacturer's anechoic chamber.
 - Because of the surrounding sound environment, the sound levels measured in actual installation conditions might be higher than the specified values here.

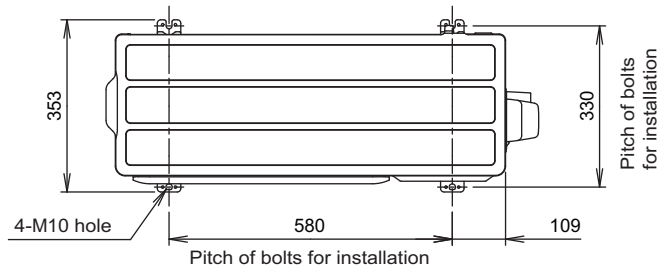
2. Dimensions

2-1. Model: AOYG18KMTA

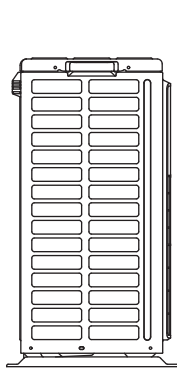
Unit: mm

OUTDOOR UNIT
AOYG18-24KMTA

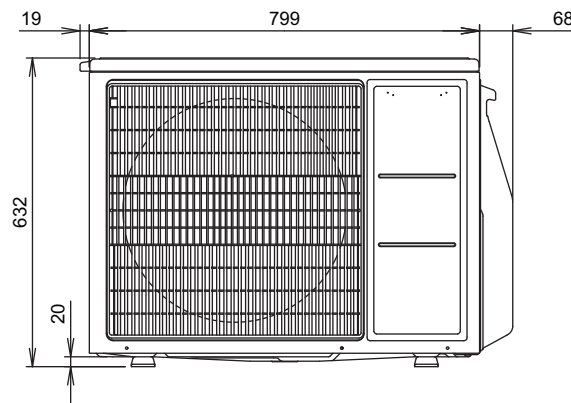
OUTDOOR UNIT
AOYG18-24KMTA



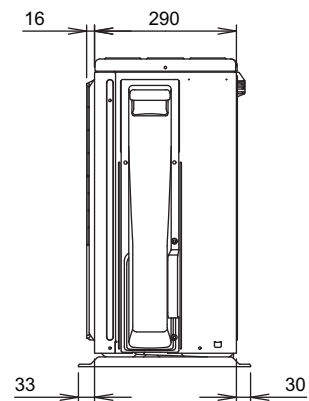
Top view



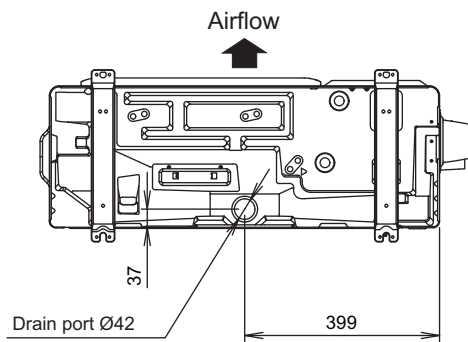
Side view



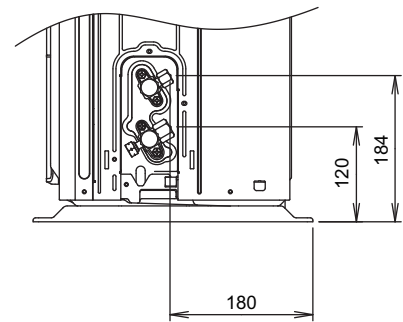
Front view



Side view



Bottom view



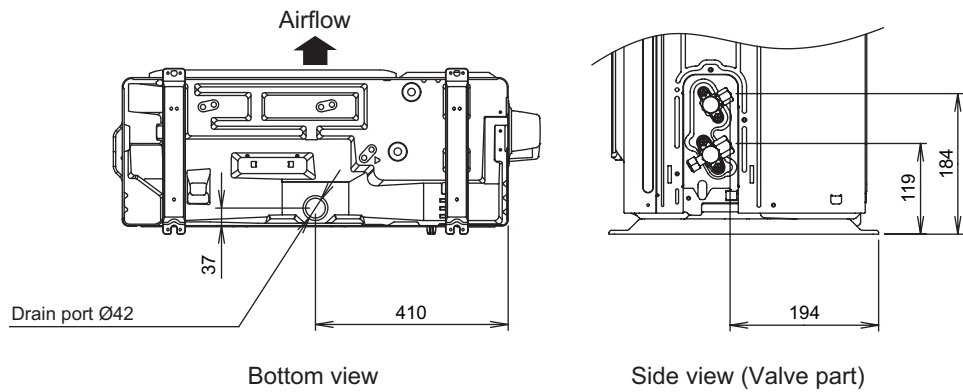
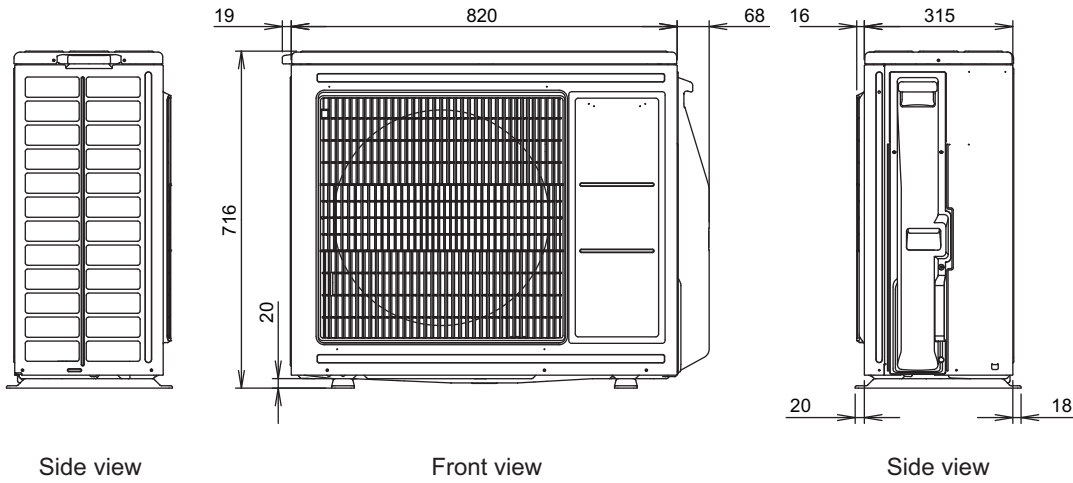
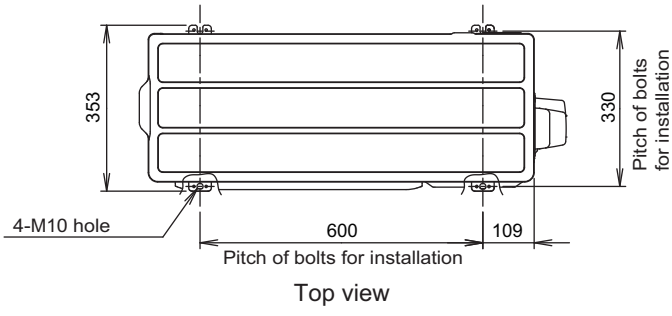
Side view (Valve part)

2-2. Model: AOYG24KMTA

Unit: mm

OUTDOOR UNIT
AOYG18-24KMTA

OUTDOOR UNIT
AOYG18-24KMTA



3. Installation space

3-1. Models: AOYG18KMTA and AOYG24KMTA

■ Space requirement

Provide sufficient installation space for product safety.

⚠ CAUTION

Keep the space shown in the installation examples.

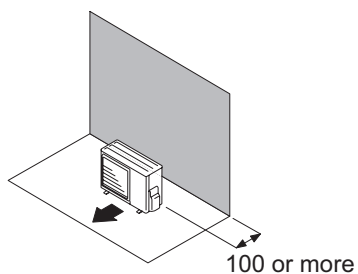
If the installation is not performed accordingly, it could cause a short circuit and result in a lack of operating performance.

● Single outdoor unit installation

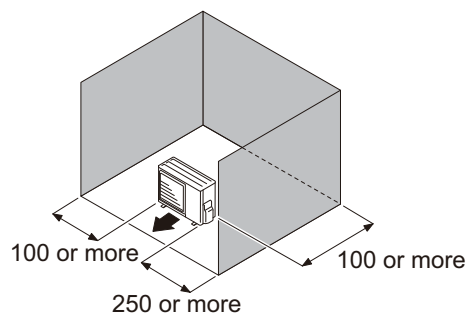
- When the upper space is open:

Unit: mm

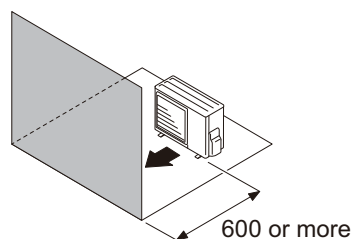
Obstacles at rear only



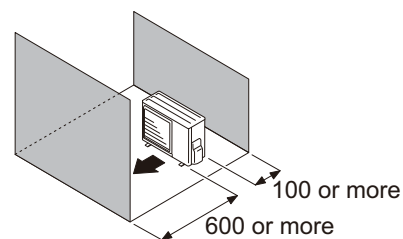
Obstacles at rear and sides



Obstacles at front



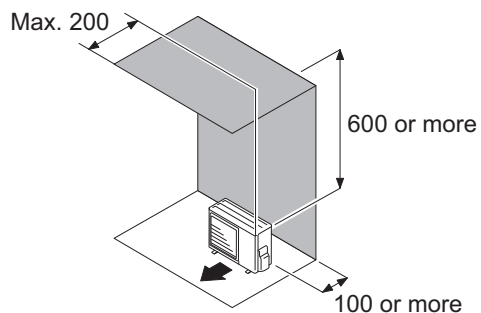
Obstacles at front and rear



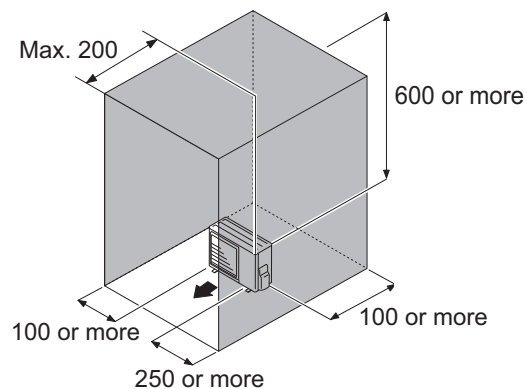
- When an obstruction in the upper space:

Unit: mm

Obstacles at rear and above



Obstacles at rear, sides, and above



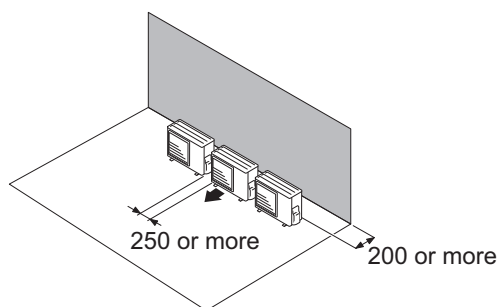
● Multiple outdoor unit installation

- Provide at least 250 mm of space between the outdoor units if multiple units are installed.
- When routing the piping from the side of an outdoor unit, provide space for piping.
- No more than 3 units must be installed side by side.
When 4 units or more are arranged in a line, provide the space as shown in the following example **“When an obstruction in the upper space:”**.

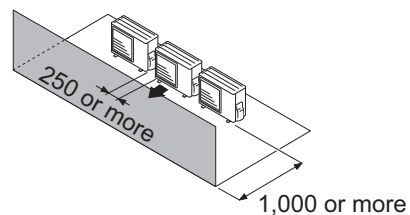
- **When the upper space is open:**

Unit: mm

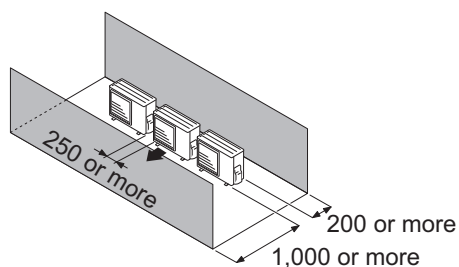
Obstacles at rear only



Obstacles at front only



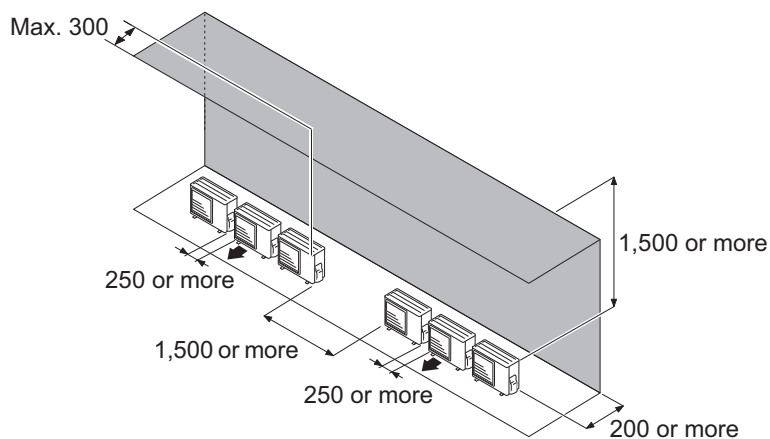
Obstacles at front and rear



- **When an obstruction in the upper space:**

Unit: mm

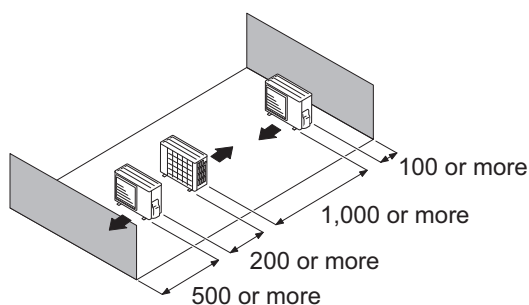
Obstacles at rear and above.



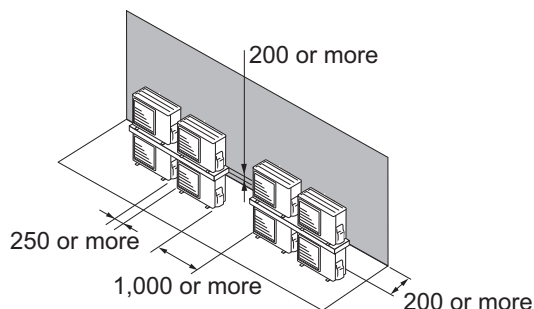
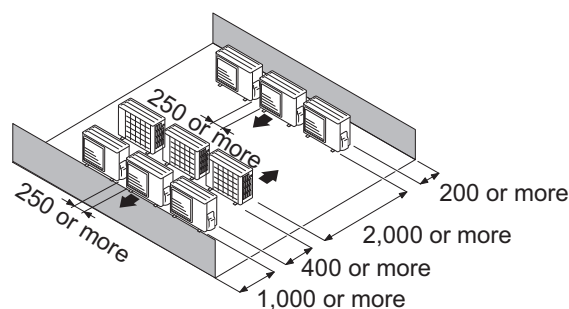
● Outdoor units installation in multi-row

Unit: mm

Single parallel unit arrangement



Multiple parallel unit arrangement

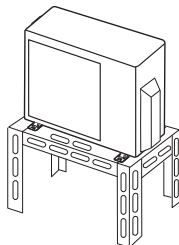


NOTES:

- If the space is larger than stated above, the condition will be the same as when there is no obstacle.
- When installing the outdoor unit, be sure to open the front and left side to obtain better operation efficiency.

⚠ CAUTION

- Do not install the outdoor unit in two-stage where the drain water could freeze. Otherwise the drainage from the upper unit may form ice and cause a malfunction of the lower unit.
- When the outdoor temperature is 0 °C or less, do not use the accessory drain pipe and drain cap. If the drain pipe and drain cap are used, the drain water in the pipe may freeze in extremely cold climate. (For reverse cycle model only.)
- In area with heavy snowfall, if the inlet and outlet of the outdoor unit is blocked with snow, it might become difficult to get warm, and it is likely to cause product malfunction. Construct a canopy and a pedestal, or place the unit on a high stand that is locally installed.

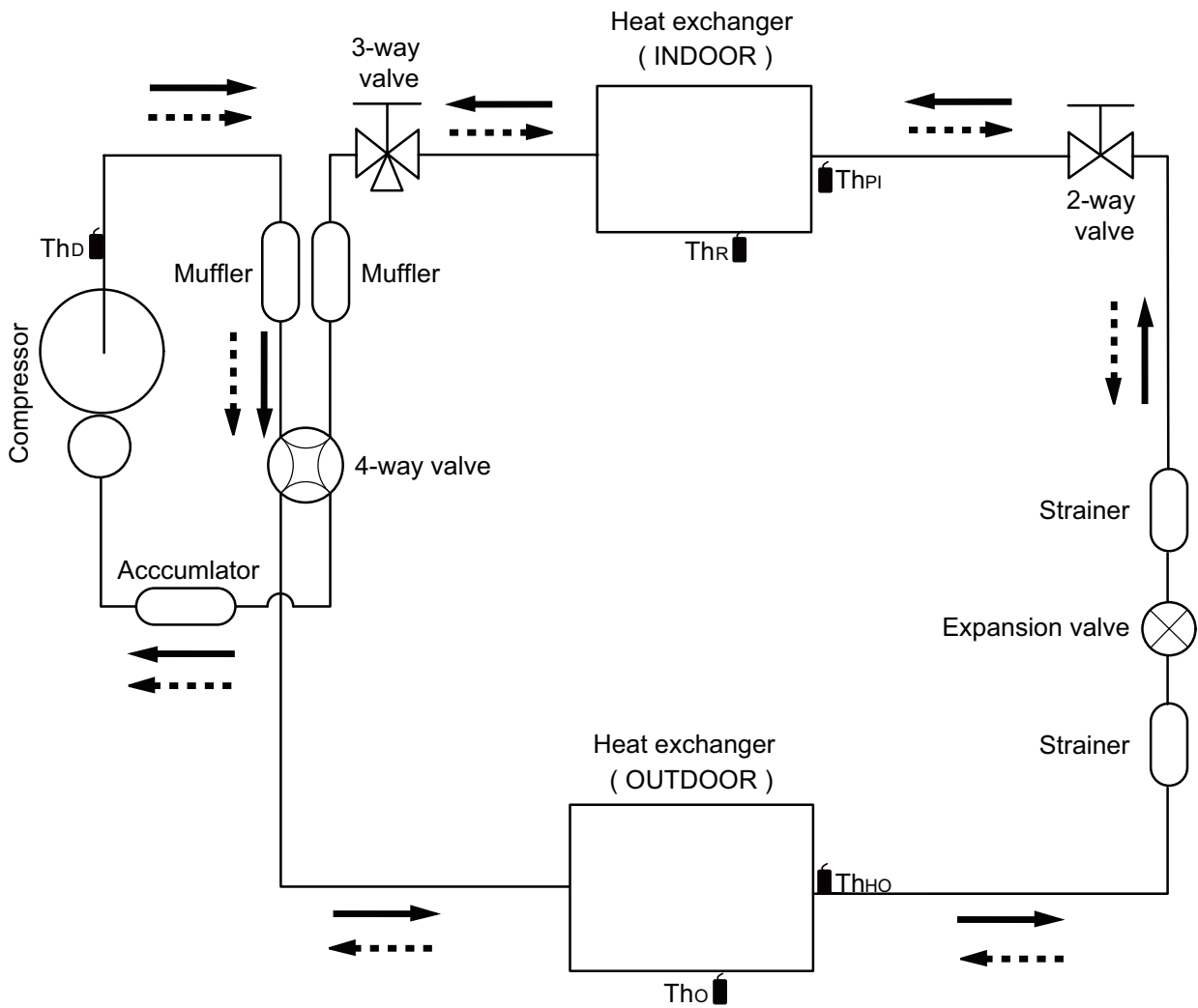


4. Refrigerant circuit

4-1. Model: AOYG18KMTA

OUTDOOR UNIT
AOYG18-24KMTA

OUTDOOR UNIT
AOYG18-24KMTA



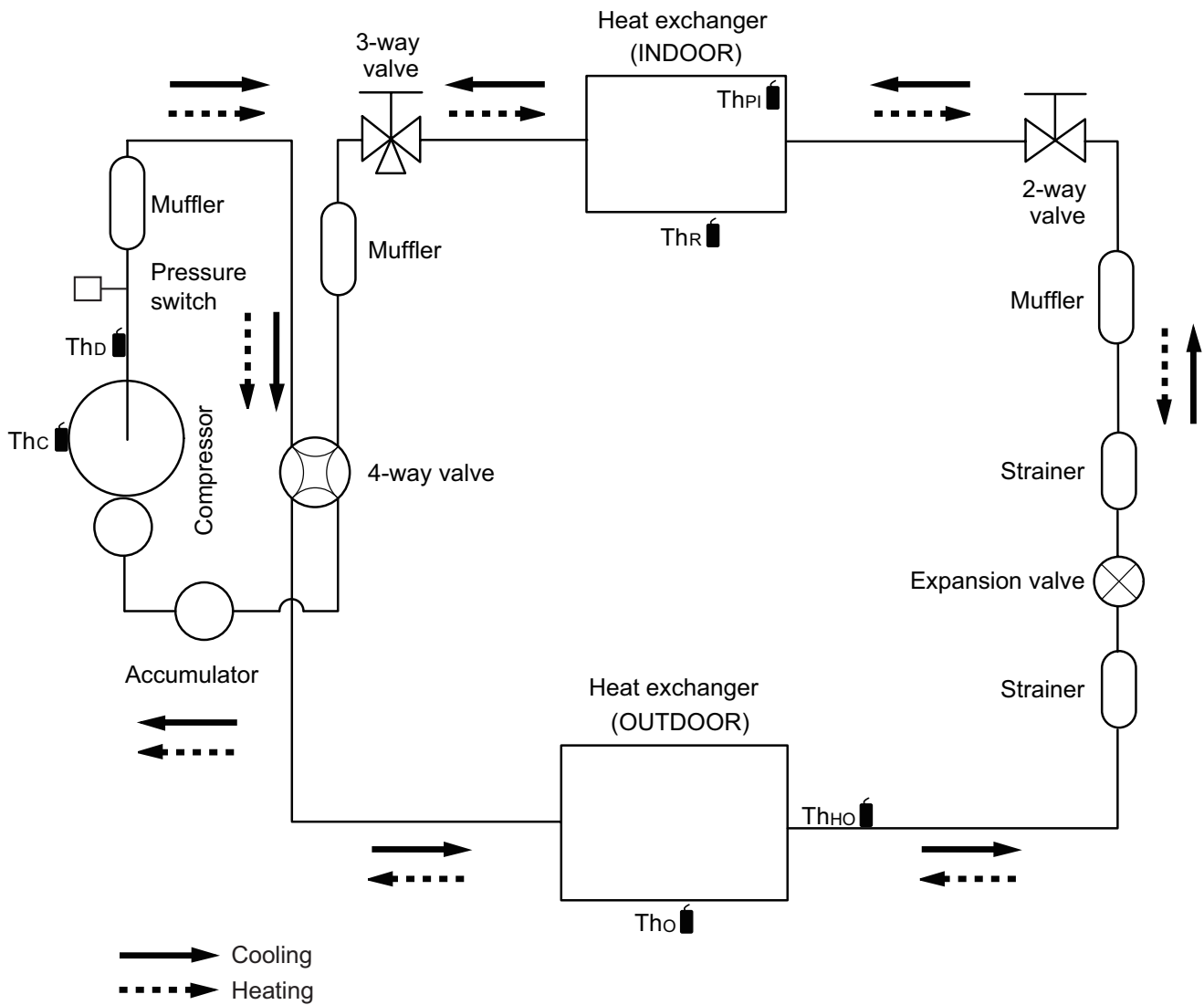
Cooling
 Heating

- Th_D : Thermistor (Discharge temperature)
- Th_O : Thermistor (Outdoor temperature)
- Th_{HO} : Thermistor (Heat exchanger out temperature)
- Th_{PI} : Thermistor (Pipe temperature)
- Th_R : Thermistor (Room temperature)

4-2. Model: AOYG24KMTA

OUTDOOR UNIT
AOYG18-24KMTA

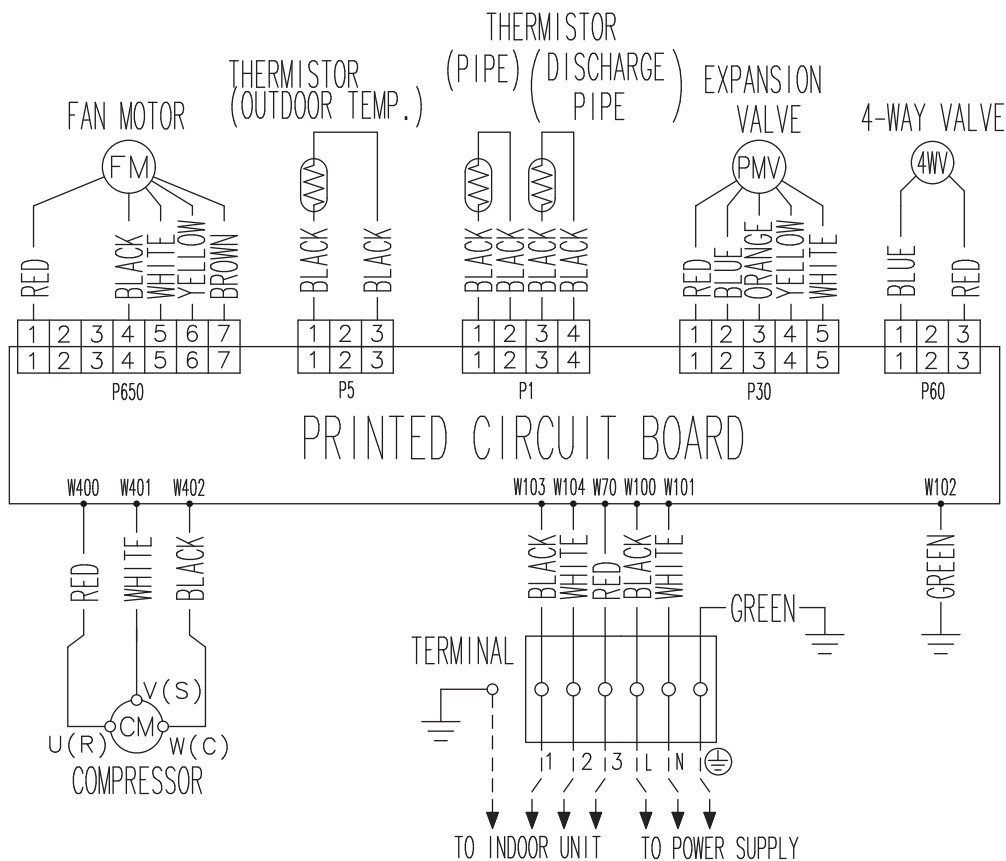
OUTDOOR UNIT
AOYG18-24KMTA



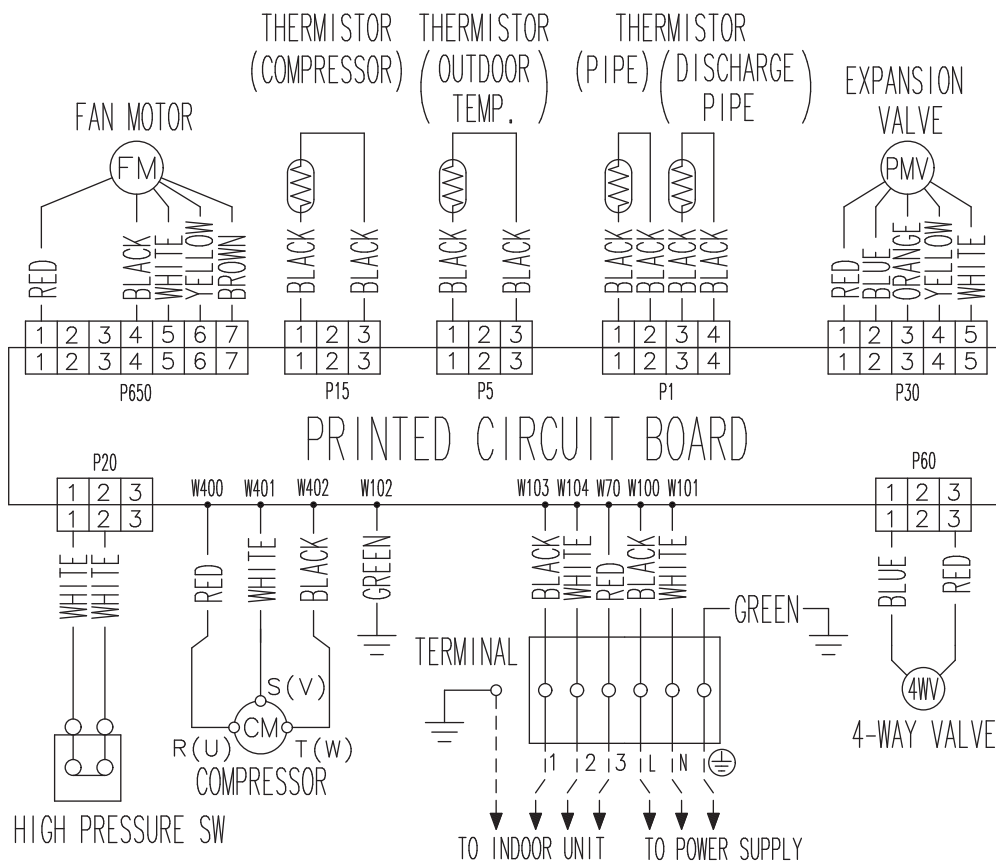
- Thc : Thermistor (Compressor temperature)
- Thd : Thermistor (Discharge temperature)
- Tho : Thermistor (Outdoor temperature)
- Thho : Thermistor (Heat exchanger out temperature)
- Thpi : Thermistor (Pipe temperature)
- Thr : Thermistor (Room temperature)

5. Wiring diagrams

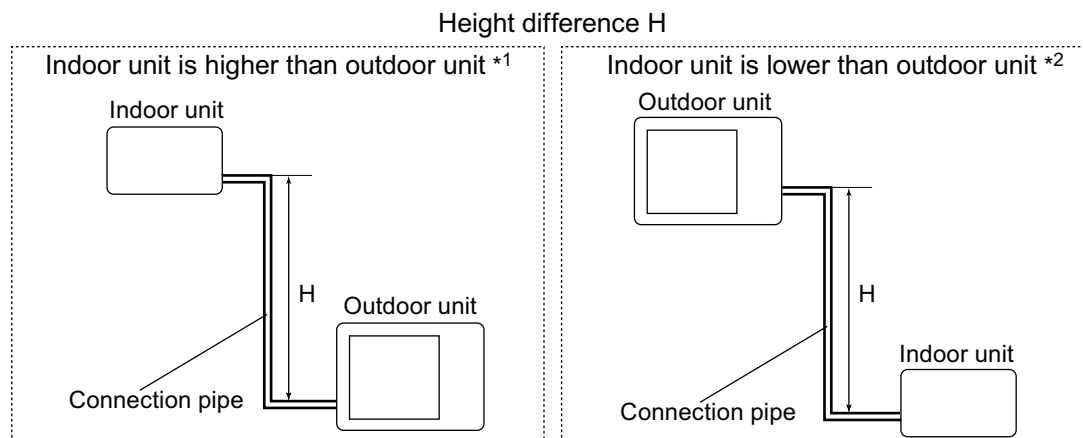
5-1. Model: AOYG18KMTA



5-2. Model: AOYG24KMTA



6. Capacity compensation rate for pipe length and height difference



6-1. Model: AOYG18KMTA

NOTE: Values mentioned in the table are calculated based on the maximum capacity.

COOLING			Pipe length (m)					
			5	7.5	10	15	20	25
Height difference H (m)	Indoor unit is higher than outdoor unit *1	20	—	—	—	—	0.917	0.900
		10	—	—	0.966	0.947	0.932	0.914
		7.5	—	0.979	0.970	0.951	0.936	0.918
		5	0.992	0.983	0.974	0.955	0.939	0.922
	Indoor unit is lower than outdoor unit *2	0	1.000	0.991	0.981	0.963	0.946	0.930
		-5	1.000	0.991	0.981	0.963	0.946	0.930
		-7.5	—	0.991	0.981	0.963	0.946	0.930
		-10	—	—	0.981	0.963	0.946	0.930
		-20	—	—	—	0.946	0.930	

HEATING			Pipe length (m)					
			5	7.5	10	15	20	25
Height difference H (m)	Indoor unit is higher than outdoor unit *1	20	—	—	—	—	0.887	0.871
		10	—	—	0.952	0.903	0.887	0.871
		7.5	—	0.976	0.952	0.903	0.887	0.871
		5	1.000	0.976	0.952	0.903	0.887	0.871
	Indoor unit is lower than outdoor unit *2	0	1.000	0.976	0.952	0.903	0.887	0.871
		-5	0.995	0.971	0.947	0.899	0.883	0.866
		-7.5	—	0.969	0.945	0.897	0.881	0.865
		-10	—	—	0.942	0.894	0.879	0.863
		-20	—	—	—	0.869	0.854	

6-2. Model: AOYG24KMTA

NOTE: Values mentioned in the table are calculated based on the maximum capacity.

COOLING			Pipe length (m)						
			5	7.5	10	15	20	25	30
Height difference H (m)	Indoor unit is higher than outdoor unit *1	25	—	—	—	—	—	0.893	0.877
		20	—	—	—	—	0.917	0.900	0.885
		10	—	—	0.966	0.947	0.932	0.914	0.899
		7.5	—	0.979	0.970	0.951	0.936	0.918	0.903
		5	0.992	0.983	0.974	0.955	0.939	0.922	0.906
	Indoor unit is lower than outdoor unit *2	0	1.000	0.991	0.981	0.963	0.946	0.930	0.914
		-5	1.000	0.991	0.981	0.963	0.946	0.930	0.914
		-7.5	—	0.991	0.981	0.963	0.946	0.930	0.914
		-10	—	—	0.981	0.963	0.946	0.930	0.914
		-20	—	—	—	—	0.946	0.930	0.914
	-25	—	—	—	—	—	0.930	0.914	

HEATING			Pipe length (m)						
			5	7.5	10	15	20	25	30
Height difference H (m)	Indoor unit is higher than outdoor unit *1	25	—	—	—	—	—	0.871	0.855
		20	—	—	—	—	0.887	0.871	0.855
		10	—	—	0.952	0.903	0.887	0.871	0.855
		7.5	—	0.976	0.952	0.903	0.887	0.871	0.855
		5	1.000	0.976	0.952	0.903	0.887	0.871	0.855
	Indoor unit is lower than outdoor unit *2	0	1.000	0.976	0.952	0.903	0.887	0.871	0.855
		-5	0.995	0.971	0.947	0.899	0.883	0.866	0.850
		-7.5	—	0.969	0.945	0.897	0.881	0.865	0.849
		-10	—	—	0.942	0.894	0.879	0.863	0.847
		-20	—	—	—	—	0.869	0.854	0.838
	-25	—	—	—	—	—	0.850	0.834	

7. Additional charge calculation

7-1. Model: AOYG18KMTA

Refrigerant type			R32
Refrigerant amount	g	1,020	

■ Refrigerant charge

Total pipe length	m	15 or less	20	25 (Max.)	20 g/m
Additional charge	g	0	100	200	

7-2. Model: AOYG24KMTA

Refrigerant type			R32
Refrigerant amount	g	1,320	

■ Refrigerant charge

Total pipe length	m	15 or less	20	25	30 (Max.)	20 g/m
Additional charge	g	0	100	200	300	

8. Airflow

8-1. Model: AOYG18KMTA

● Cooling

m ³ /h	2,350
l/s	653
CFM	1,383

● Heating

m ³ /h	2,100
l/s	583
CFM	1,236

8-2. Model: AOYG24KMTA

● Cooling

m ³ /h	3,240
l/s	900
CFM	1,907

● Heating

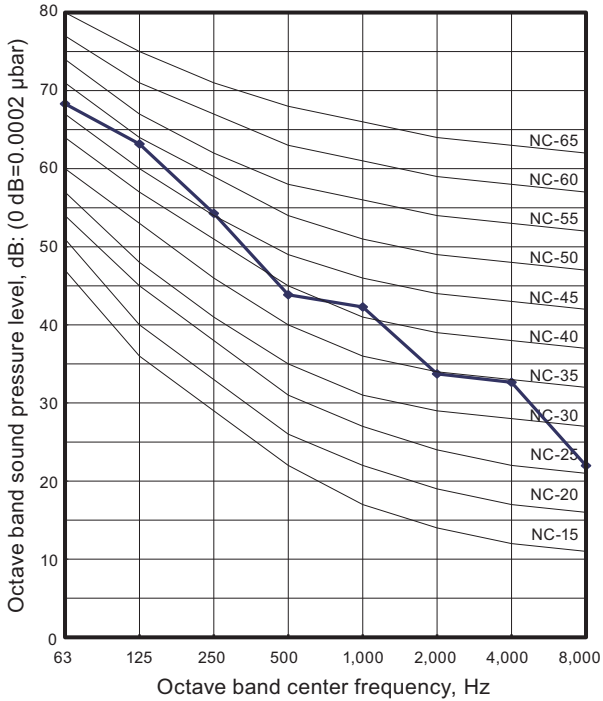
m ³ /h	2,820
l/s	783
CFM	1,660

9. Operation noise (sound pressure)

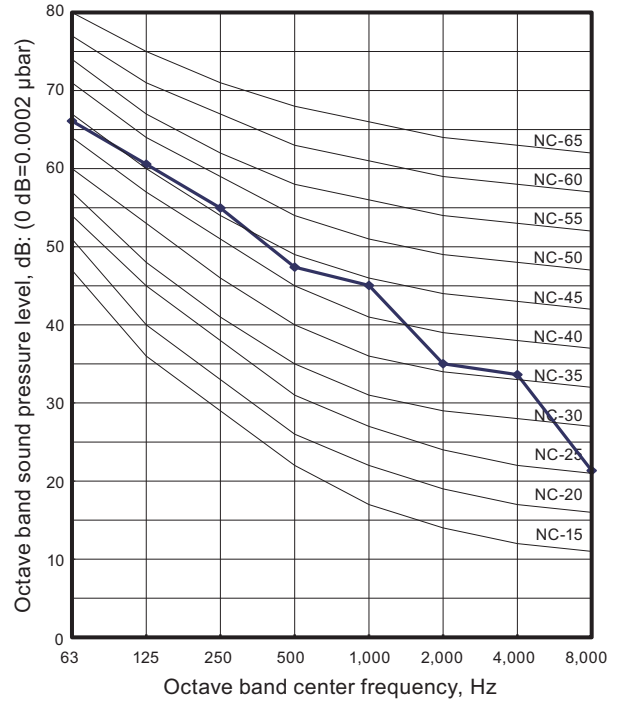
9-1. Noise level curve

Model: AOYG18KMTA

Cooling

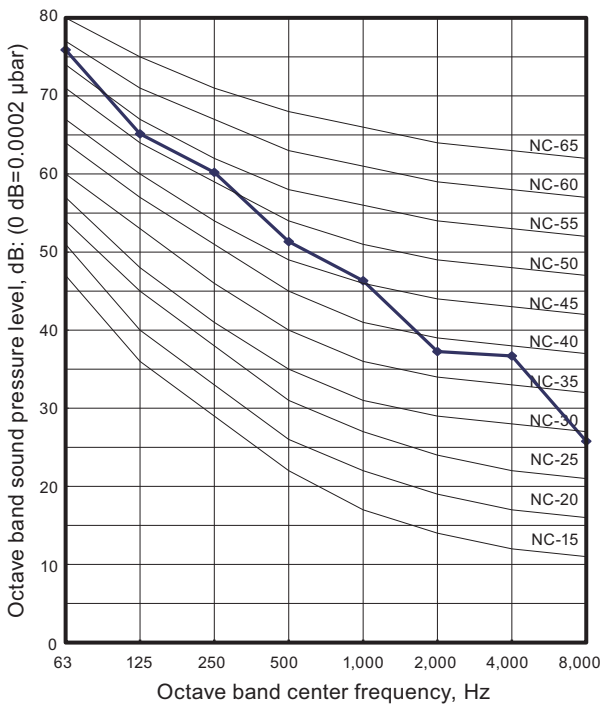


Heating

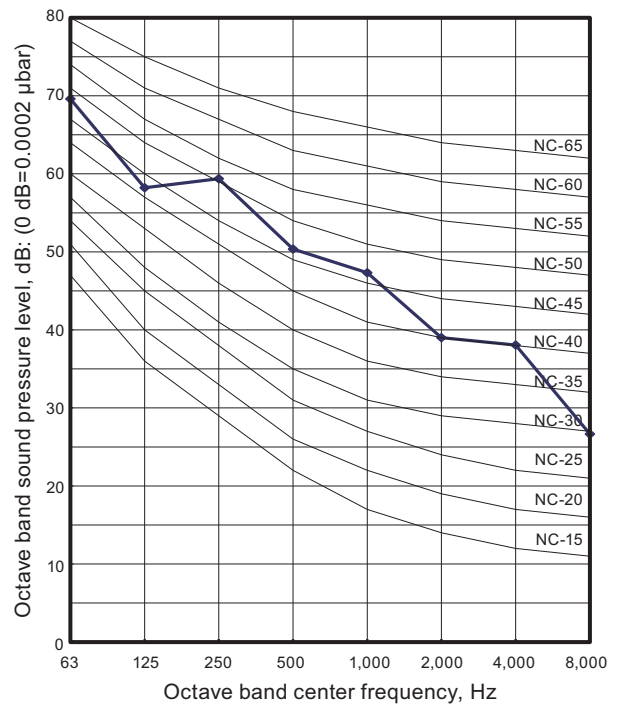


Model: AOYG24KMTA

Cooling



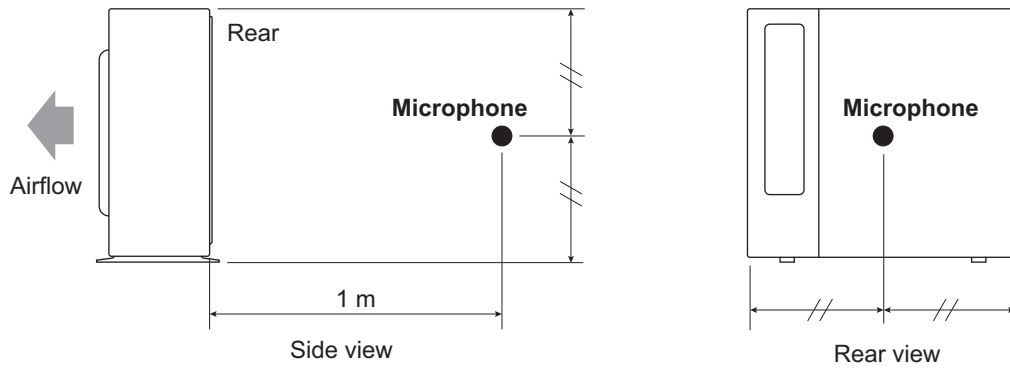
Heating



OUTDOOR UNIT
AOYG18-24KMTA

OUTDOOR UNIT
AOYG18-24KMTA

9-2. Sound level check point



NOTE: Detailed shape of the actual outdoor unit might be slightly different from the one illustrated above.

10. Electrical characteristics

Model name			AOYG18KMTA	AOYG24KMTA	
Power supply	Voltage	V	230 ~		
	Frequency	Hz	50		
Max operating current *1		A	13.5	16.0	
Starting current		A	7.0	8.6	
Wiring spec. *2	Circuit breaker current		A	16	20
	Power cable		mm ²	2.5	
	Connection cable *3	Cross-sectional area	mm ²	1.5—2.5	
		Limited wiring length	m	26	31

*1: Maximum operating current is the total current of the indoor unit and the outdoor unit.

*2: Selected sample based on Japan Electrotechnical Standards and Codes Committee E0005. As the regulations of wire size and circuit breaker differ in each country or region, select appropriate devices complied to the regional standard.

*3: Limit voltage drop to less than 2%. If voltage drop is 2% or more, increase cable conductor size.



11. Safety devices

Type of protection	Protection form		Model	
			AOYG18KMTA	AOYG24KMTA
Circuit protection	Current fuse (PCB*)		250 V, 25 A	
			250 V 5 A	
			250 V, 3.15 A	
Fan motor protection	Thermal protection program	Activate	100 ±15°C Fan motor stop	
		Reset	95 ±10°C Fan motor restart	
Compressor protection	Thermal protection program (Discharge temp.)	Activate	110°C Compressor stop	
		Reset	After 7 minutes Compressor restart	
	Thermal protection program (Outdoor temp.) (Only in COOL or DRY mode)	Activate	-15°C Compressor stop	
		Reset	-10°C Compressor restart	

*PCB: Printed Circuit Board

12. Accessories

12-1. Models: AOYG18KMTA and AOYG24KMTA

Part name	Exterior	Qty	Part name	Exterior	Qty
Installation manual		1	Drain pipe		1